

Work Light Kit

Diesel Models

Kit No. 135-7076

Installation Instructions

Safety Alert Symbol

This Safety Alert Symbol (Figure 1) is used both in this instruction sheet and on the machine to identify important safety messages which must be followed to avoid accidents

This symbol means: **ATTENTION! BECOME ALERT! YOUR SAFETY IS INVOLVED!**



g000502

Figure 1
Safety Alert Symbol

The safety alert symbol appears above information which alerts you to unsafe actions or situations and will be followed by the word **DANGER**, **WARNING**, or **CAUTION**.

DANGER: Indicates an imminently hazardous situation which, if not avoided, **Will** result in death or serious injury.

WARNING: Indicates a potentially hazardous situation which, if not avoided, **Could** result in death or serious injury.

CAUTION: Indicates a potentially hazardous situation which, if not avoided, **May** result in minor or moderate injury.

This manual uses two other words to highlight information. **Important** calls attention to special mechanical information and **Note** emphasizes general information worthy of special attention.

⚠ WARNING

While maintenance or adjustments are being made, someone could start the engine. Accidental starting of the engine could seriously injure you or other bystanders.

Remove the key from the ignition switch and engage parking brake before you do any maintenance.

Note: Determine the left and right sides of the machine from the normal operating position.



Loose Parts

Use the chart below to verify that all parts have been shipped.

Item No.	Part No.	Description	Qty
1	135-7207-03	Bracket-Light, LH	1
2	135-7208-03	Bracket-Light, RH	1
3	95-8999	Switch	1
4	135-7075	Harness-Wire	1
5	135-1531	Harness-Wiring-Accy	1

Item No.	Part No.	Description	Qty
6	3229-11	Bolt-Carriage 1/4-20 x 5/8	6
7	104-7201	Nut-Nyloc 1/4-20 Flg	6
8	1-303335	Tie-Plastic	5
9	135-7077	Light-LED	2
10	130-5989	Decal-Work Light	1

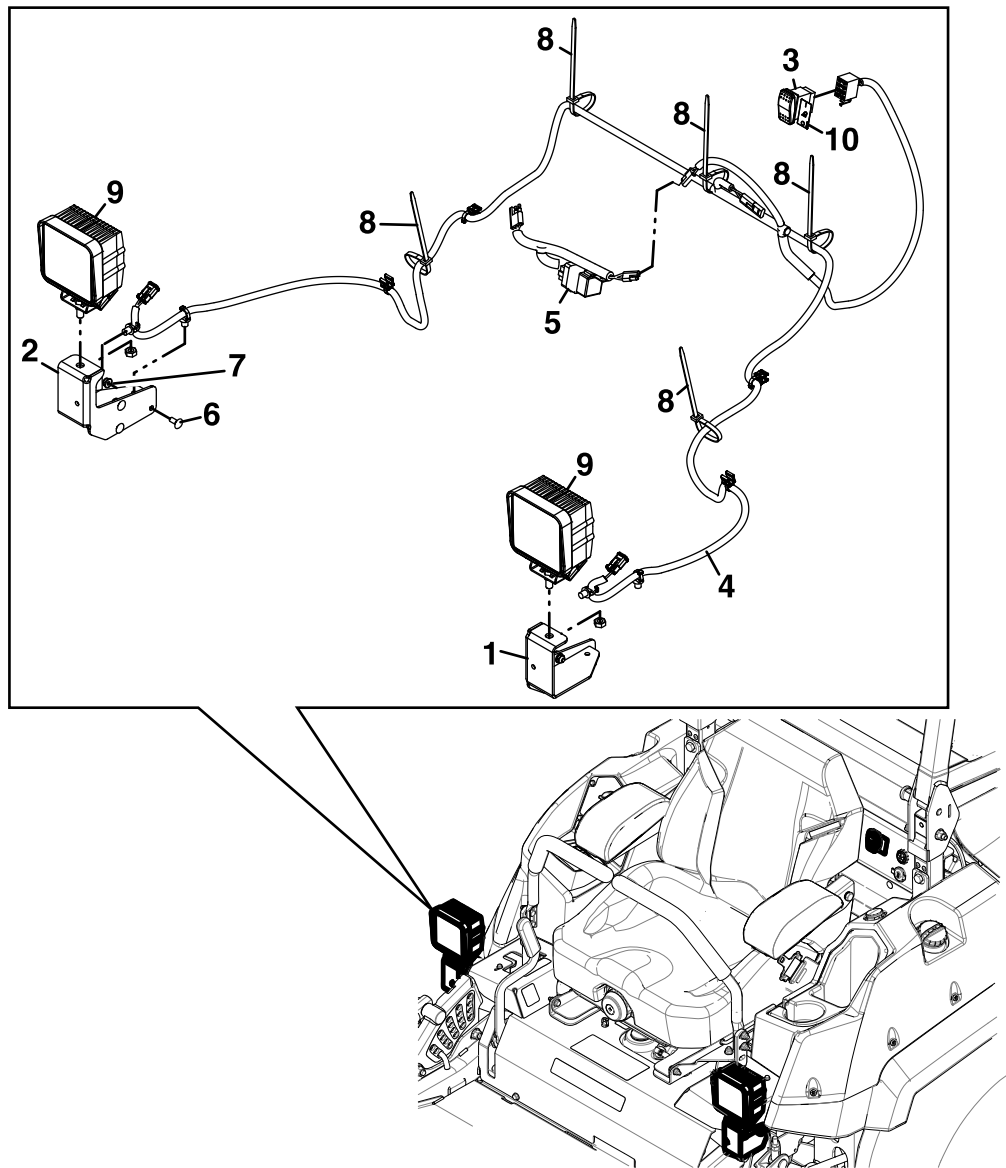


Figure 2

g280870

Installation Instructions

1. Make sure all moving parts have stopped, parking brake is engaged, and key has been removed.
2. Disconnect the negative battery cable.
3. Slide the seat forward.
4. Using three 1/4-20 x 5/8 inch carriage bolts and nyloc nuts, install the LH light bracket onto the LH motion control frame bracket as shown in [Figure 3](#).

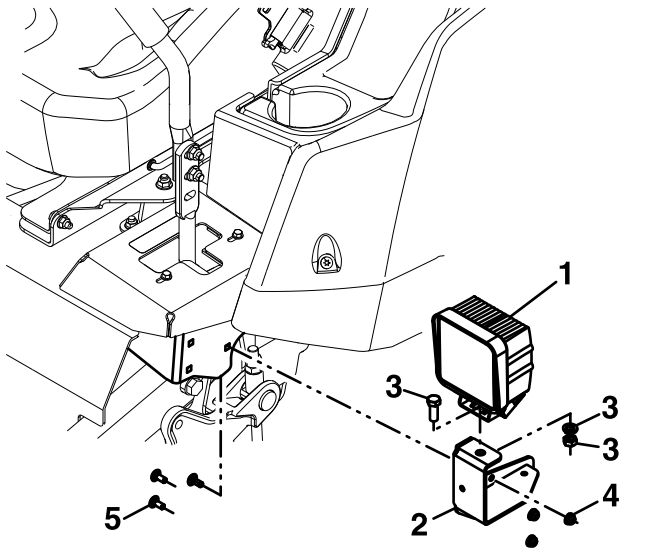


Figure 3

g280871

- | | |
|---------------------|------------------------------------|
| 1. Light | 4. 1/4-20 nyloc nut |
| 2. LH light bracket | 5. 1/4-20 x 5/8 inch carriage bolt |
| 3. Light hardware | |

5. Remove the hardware from the light and install to the LH light bracket as shown in [Figure 3](#).
6. Repeat steps 4 and 5. for the right side.
7. Using [Figure 2](#) as a guide, place the light harness behind the seat along side of the main harness in the heat deflector panel.
8. Route the left side of the harness under the main frame channel and connect it to the left light as shown in [Figure 4](#).

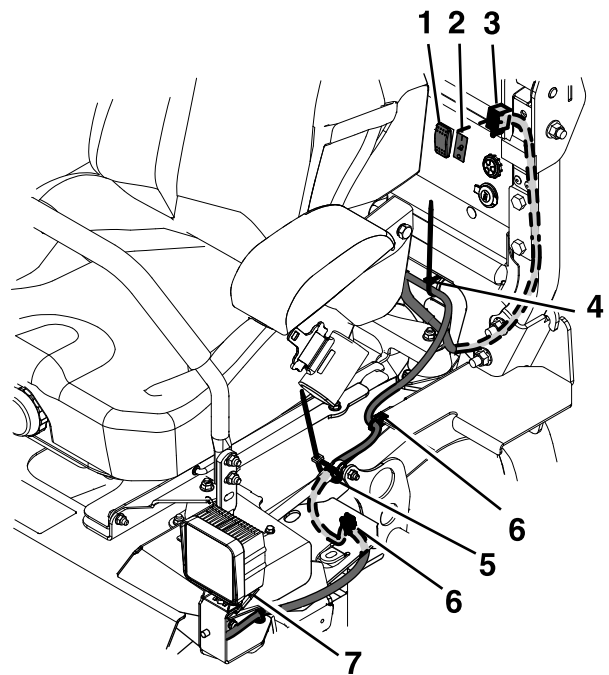


Figure 4

Left fuel tank removed for clarity

g280927

- | | |
|----------------------------|-------------------------------------|
| 1. Light switch | 5. Zip tie to motion control damper |
| 2. Light decal (from kit) | 6. Main frame bracket clip |
| 3. Switch connector | 7. Connect light harness to light |
| 4. Zip tie to main harness | |

9. Loosely secure the harness to the motion control damper with a zip tie.
10. Secure the light harness to the bottom side of the main frame bracket. Use the two clips on the light harness to secure LH light bracket.
11. Connect the light harness to the RH light and secure it to the frame as shown in [Figure 5](#).

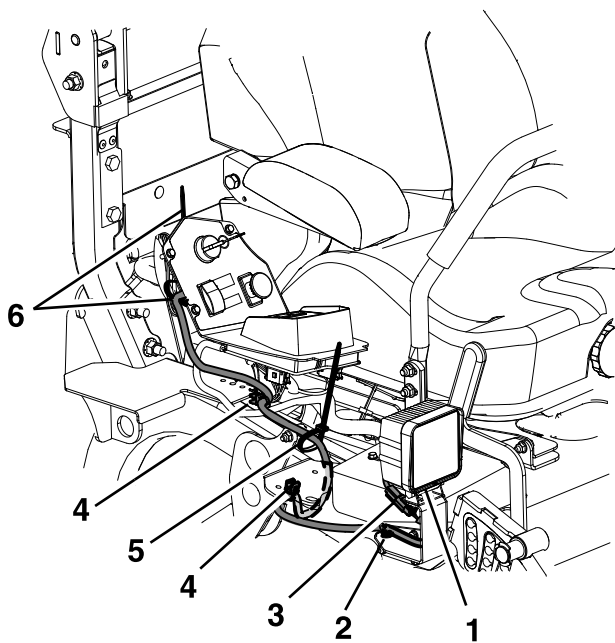


Figure 5

Right fuel tank removed for clarity

g280970

- | | |
|------------------------------------|-------------------------------------|
| 1. RH light | 4. Main frame bracket clip |
| 2. Secure harness to light bracket | 5. Zip tie to motion control damper |
| 3. Connect light harness to light | 6. Zip tie to main harness light |

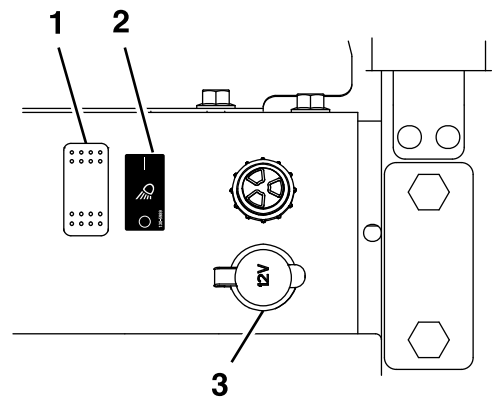


Figure 6

g280971

- | | |
|-----------------|------------------|
| 1. Light switch | 3. 12V accessory |
| 2. Decal | |

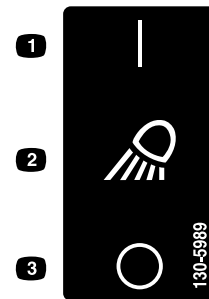


Figure 7

g295343

- | | |
|---------------|--------|
| 1. On | 3. Off |
| 2. Work light | |

12. Locate the black cover decal on the LH side of the power frame cross channel. Either remove the decal and its residue entirely or using the cross channel as a guide, carefully cut out the switch opening.
13. Open the hood. Place the light switch into cross channel cutout and connect it to the light wire harness connector. Make sure the connectors are fully inserted onto the terminals. Carefully snap the switch into the cutout. Loosely zip tie the light harness to the main harness.
14. Making sure the surface by the light switch is dry and clean, place the decal to the left of the switch.

15. Remove and retain the plug from the accessory connector on the mower harness. Connect the 12V accessory connector to the light harness and zip tie the two harnesses together.
16. Coil the excess wire as necessary and use the remaining zip ties to secure the light harness to the mower.
17. Reconnect the negative battery cable.