



Z-Master[®] 250 Series Z253
with 62" Side Discharge Mower
Model No. 74209—200001000 and Up

Parts Catalog

Ordering Replacement Parts

To order replacement parts, please supply: the part number, the quantity, and the description of each part desired.

Understanding Reference Numbers

Each identified part in an illustration has a reference number. The reference number for a part also appears in the parts list, along with other information about the part.

This catalog uses two special reference number formats, one to indicate parts in a service assembly and another to indicate the quantity of a given part in an illustration.

Service Assembly Reference Numbers

Parts in service assemblies have reference numbers in the form **a:b**. The **a** represents the reference number of the entire service assembly and the **b** represents a sequential number unique to each part within the service assembly.

For example, a wheel assembly might be identified by reference number **6**, the tire by **6:1**, the valve by **6:2**, and the wheel by **6:3**. When you order the assembly identified by reference number **6**, you receive all parts identified by reference numbers **6:1**, **6:2**, and **6:3**. However, you may also order any part individually.

Reference numbers of this type appear in illustrations and in part lists.

Reference Numbers Indicating Quantity

In an illustration, if a reference number indicates more than one part, the reference number has the form **nX y**. The **n** represents the quantity of the part, the **X** is the multiplication symbol, and the **y** represents the reference number.

For example, in an illustration, the reference number **2X 37** means that two of the parts identified by reference number **37** are indicated.

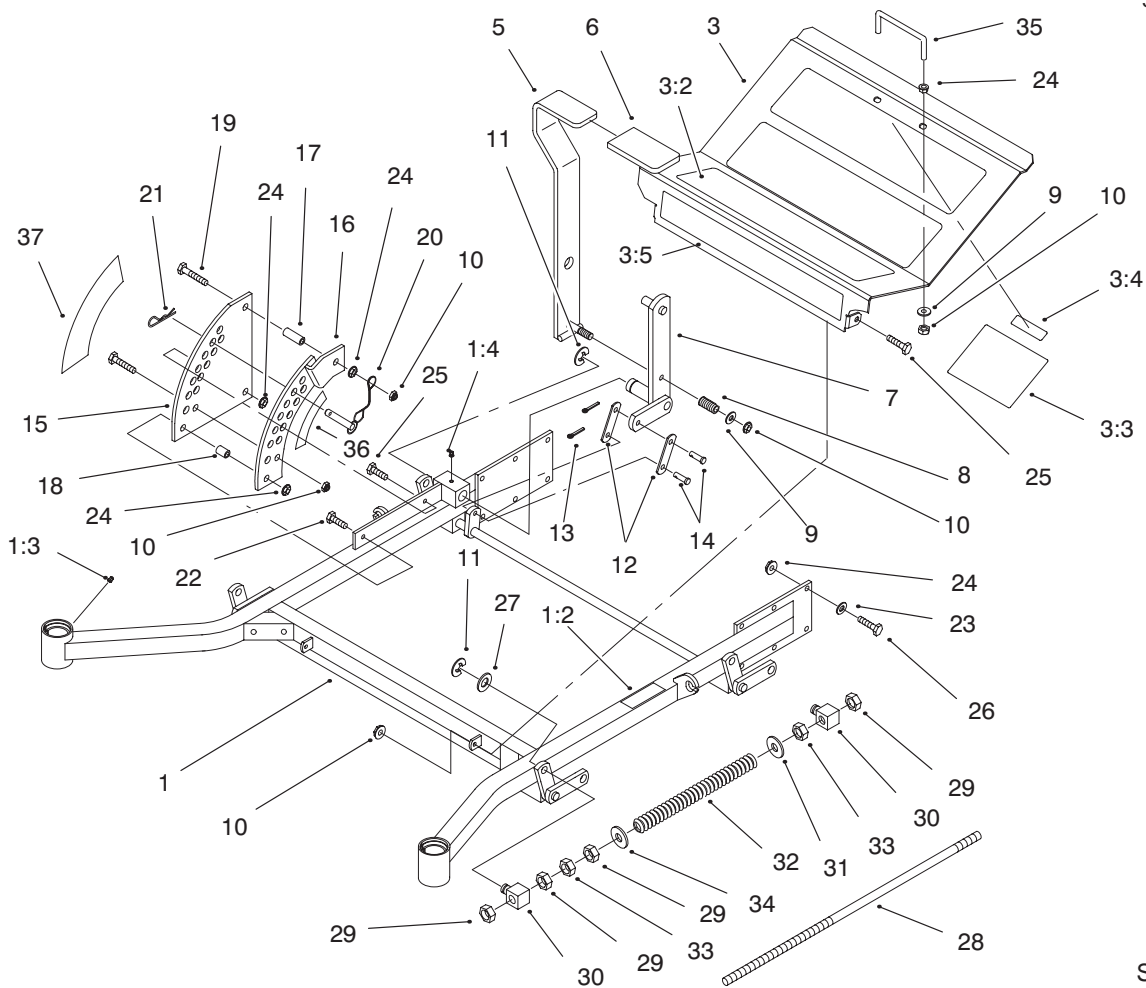
Contents

Description	Page	Description	Page
Front Frame Assembly	3	Group 3 – Oil Pan/Lubrication (CH22S 76513 Kohler)	20
Caster And Wheel Assembly	4	Group 4 – Head/Valve/Breather (CH22S 76513 Kohler)	21
Rear Frame And Wheel Assembly	5	Group 5 – Ignition/Electrical (CH22S 76513 Kohler)	22
Brake And Wheel Hub Assembly	6	Group 6 – Blower Housing & Baffles (CH22S 76513 Kohler)	23
Control Panel Assembly	7	Group 7 – Starting System (CH22S 76513 Kohler)	24
Hydraulic System Assembly	8-9	Group 8 – Fuel System (CH22S 76513 Kohler)	25
Tank And Fuel Lines Assembly	10	Group 9 – Engine Controls (CH22S 76513 Kohler)	26
Shields And Clutch Assembly	11	Group 10 – Air Intake/Filtration (CH22S 76513 Kohler)	27
Idler Assembly	12	Group 11 – Exhaust (CH22S 76513 Kohler)	28
Electrical System Assembly	13		
Frame And Deck Assembly	14		
Deck, Deflector And Roller Assembly	15		
Spindle And Pulley Assembly	16		
Belts And Idler Arm Assembly	17		
Group 1 – Crankshaft (CH22S 76513 Kohler) ..	18		
Group 2 – Crankcase (CH22S 76513 Kohler) ..	19		

Part Description Abbreviations

Part descriptions in this catalog may include the following abbreviations.

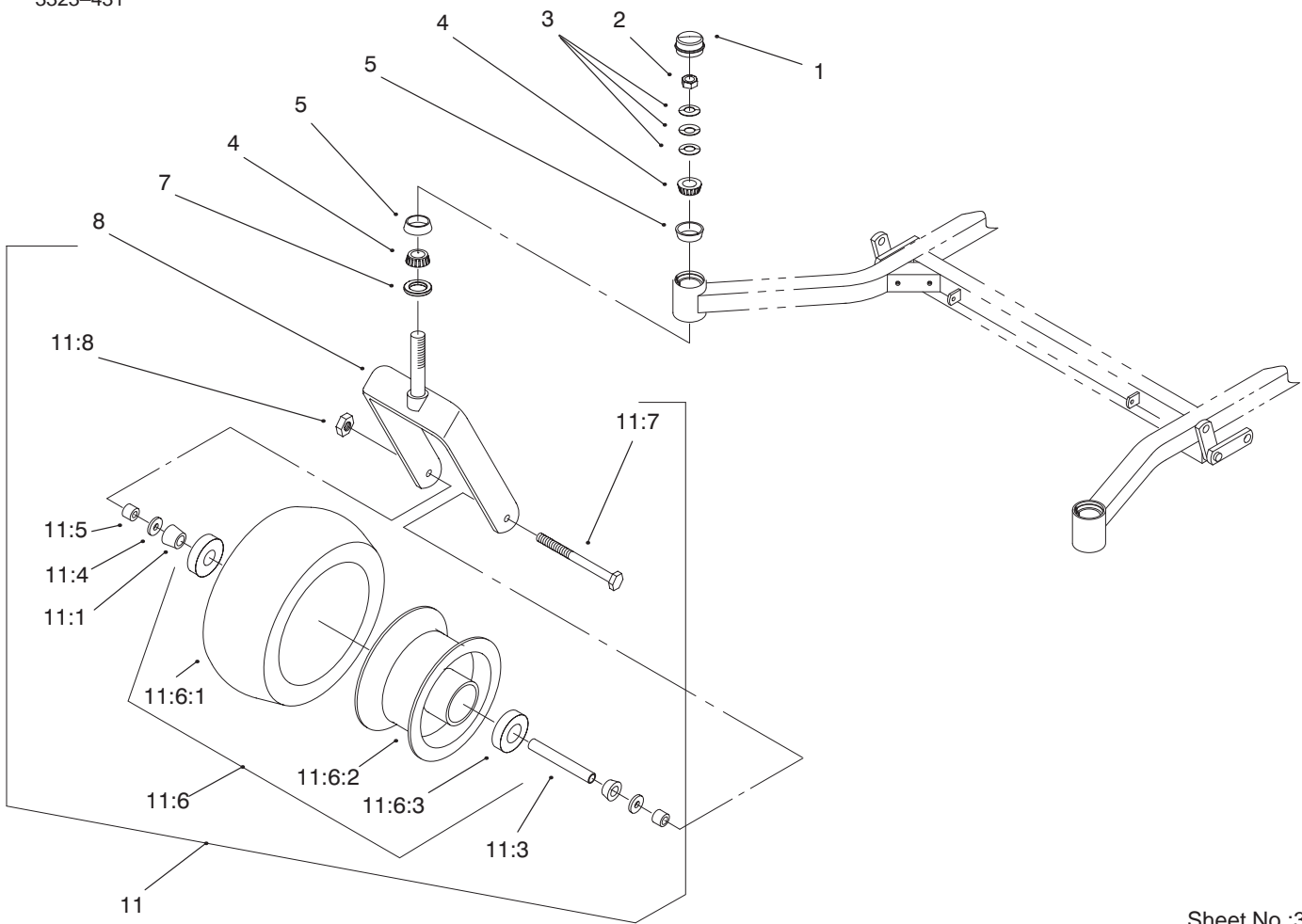
Abbreviation	Meaning	Abbreviation	Meaning
AR	as required	INC	incorporated
ASM	assembly	LH	left hand
CARR	carriage	NI	nylon insert
DEG	degrees	PPH	Phillips pan head
FH	flat head	PTH	Phillips truss head
GA	gauge	PTO	power take off
HF	hex flange	RH	right hand
HH	hex head	SFH	slotted fillister head
HHF	hex head flange	SHH	slotted hex head
HLH	hex lag head	SQH	square head
HJ	hex jam	SHWH	slotted hex washer head
HOC	height-of-cut	SPH	slotted pan head
HS	hex socket	SRH	slotted round head
HSBH	hex socket button head	STD	standard
HSFH	hex socket flat head	TAP	self tapping
HSH	hex socket head	TTH	Torx truss head
HWH	hex washer head	WH	wing head
HWHTF	hex washer head thread forming		



Front Frame Assembly

Ref. No.	Part No.	Qty.	Description
1	100-4260	1	62" Frame ASM
1:2	E633818	1	Decal
1:3	E811010	2	Plug-Swivel, Caster
1:4	320-19	5	Fitting - Grease
3	99-4622	1	Floorpan ASM
3:2	E633553	3	Pad-Antiskid
3:3	E633766	1	Decal-Check
3:4	98-5954	1	Decal-Missing, Cover
3:5	E633737	1	Decal- Z-Master
5	E632324	1	Lift Lever ASM
6	E633295	1	Grip-Lever, Lift
7	E632219	1	Arm-Deck Lift
8	E633325	1	Spring-Compression
9	3256-24	1	Washer-Flat
10	3296-39	5	Nut-Lock, NI
11	E808505	5	Ring-Snap
12	E633068	2	Arm-Lift, Deck
13	3272-10	2	Pin-Cotter
14	E808284	2	Pin-Clevis
15	E633889	1	Plate - Deck Lift
16	E632899	1	Plate-Deck Lift
17	E633082	1	Bushing-Lever, Lift
18	E633080	1	Bushing-Lever, Lift
19	323-13	1	Screw-HH
20	E633097	1	Pin-Hitch w/Lanyard
21	E806005	1	Hairpin

Ref. No.	Part No.	Qty.	Description
22	323-9	2	Screw-HH
23	98-5975	12	Washer
24	3290-357	19	Nut-Flange, Lock
25	323-6	3	Screw-HH
26	323-7	12	Screw-HH
27	3256-29	4	Washer-Flat
28	E633096	2	Rod-Deck Lift
29	3217-11	8	Nut-Hex
30	E633441	4	Swivel-Mount, Deck
31	3256-7	2	Washer-Flat
32	E633064	2	Spring-Deck Support
33	3218-6	4	Nut-Jam
34	3256-7	2	Washer-Flat
35	E633587	1	Handle
36	E633706	1	Decal-Deck Height
37	E633345	1	Decal-Deck Height

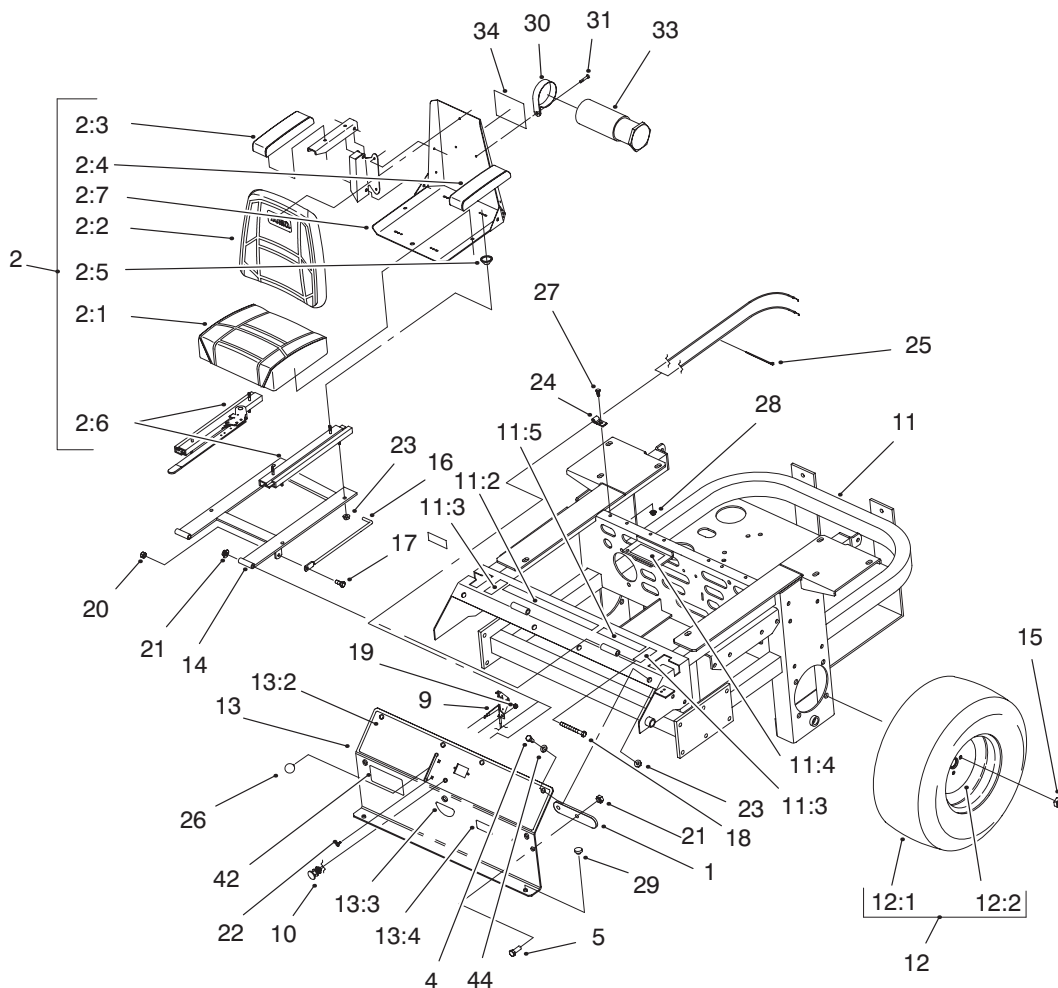


Sheet No.:3

Caster And Wheel Assembly

Ref. No.	Part No.	Qty.	Description
1	E543513	2	Cap-Grease
2	32146-14	2	Locknut
3	E633508	6	Washer-Belleview
4	254-94	4	Bearing-Taper/Cone
5	254-72	4	Bearing-Taper/Cup
7	E543511	2	Seal-Grease
8	E642111	2	Caster
11	E644251	2	Caster Wheel ASM
11:1	254-78	2	Cone-Bearing
11:3	E633959	1	Spacer-Front Caster
11:4	E633580	2	Seal-Bearing
11:5	E633581	2	Spacer-Bearing
11:6	E633971	1	Wheel & Tire ASM
11:6:1	E523009	1	Tire
11:6:2	E633987	1	Wheel
11:6:3	254-79	2	Bearing-Roller, Cup
11:7	325-24	1	Screw-HH
11:8	3296-45	1	Nut-Lock, NI

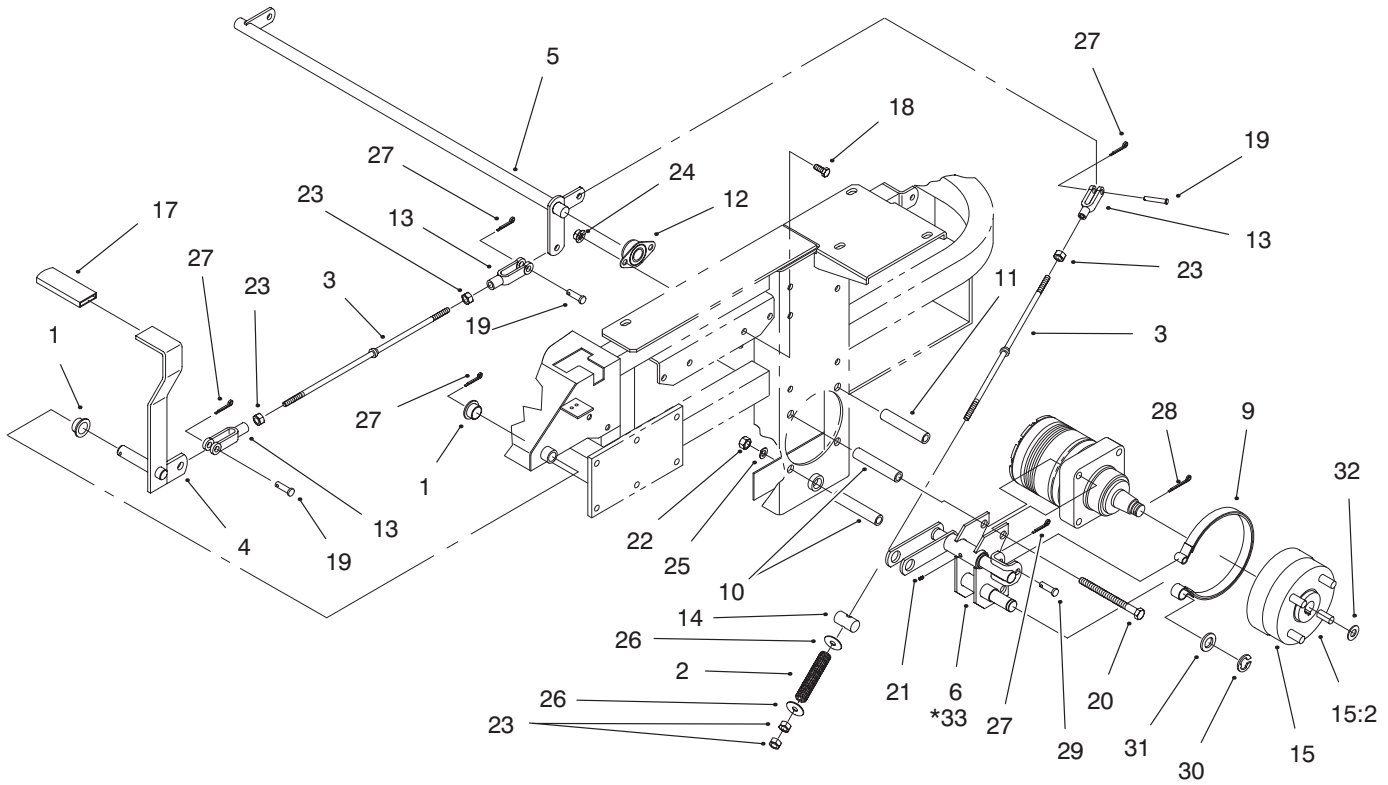
Ref. No.	Part No.	Qty.	Description



Rear Frame And Wheel Assembly

Ref. No.	Part No.	Qty.	Description
1	E633964	1	Stop - Park Brake
2	E633705	1	Seat ASM
2:1	E543407	1	Cushion-Seat
2:2	E633709	1	Cushion-Backrest
2:3	E633710	1	Armrest-RH
2:4	E633711	1	Armrest-LH
2:5	E543401	4	Spacer-Track
2:6	E643255	1	Track-Locking, 4"
2:7	E633859	1	Frame-Seat
4	322-3	8	Screw-HH
5	323-6	2	Screw-HH
9	E633696	1	Cable-Throttle
10	E603336	1	Control-Choke, Push-Pull
11	100-4261	1	Frame ASM-Rear
11:2	E513747	1	Decal-Battery
11:3	E633354	2	Decal-Control, Motion
11:4	E513929	1	Decal-Drive Release
11:5	E643372	1	Decal-Hazardous Mat.
12	E633970	2	Wheel & Tire ASM
12:1	E633993	1	Tire
12:2	E633992	1	Wheel
13	99-4623	1	Console Assembly
13:2	99-4611	1	Decal-Control Panel
13:3	E633346	1	Decal-Valve, Fuel
13:4	98-4387	1	Decal-Protection, Ear

Ref. No.	Part No.	Qty.	Description
14	E632187	1	Frame-Seat
15	E513011	8	Nut-Wheel
16	E633293	1	Rod-Seat Holdup
17	322-5	1	Screw-HH
18	323-21	2	Screw-HH
19	3296-2	2	Nut-Lock
20	3296-41	1	Nut-Lock NI
21	3296-39	4	Nut-Lock, NI
22	E807513	2	Bolt-CARR
23	32128-20	12	Nut-HF
24	E513762	1	Clip
25	E303335	1	Tie-Plastic
26	E513592	1	Knob-Ball, Red
27	321-4	1	Screw-HH
28	32128-33	1	Nut-HF
29	E513658	2	Bumper-Catcher, Grass
30	2412-120	2	R-Clamp
31	32104-76	2	Screw-Acorn Slot
33	74-0720	1	Tube-Manual
34	93-7340	1	Decal-Toro
42	99-4628	1	Decal-Z253
44	3256-23	6	Washer-Flat



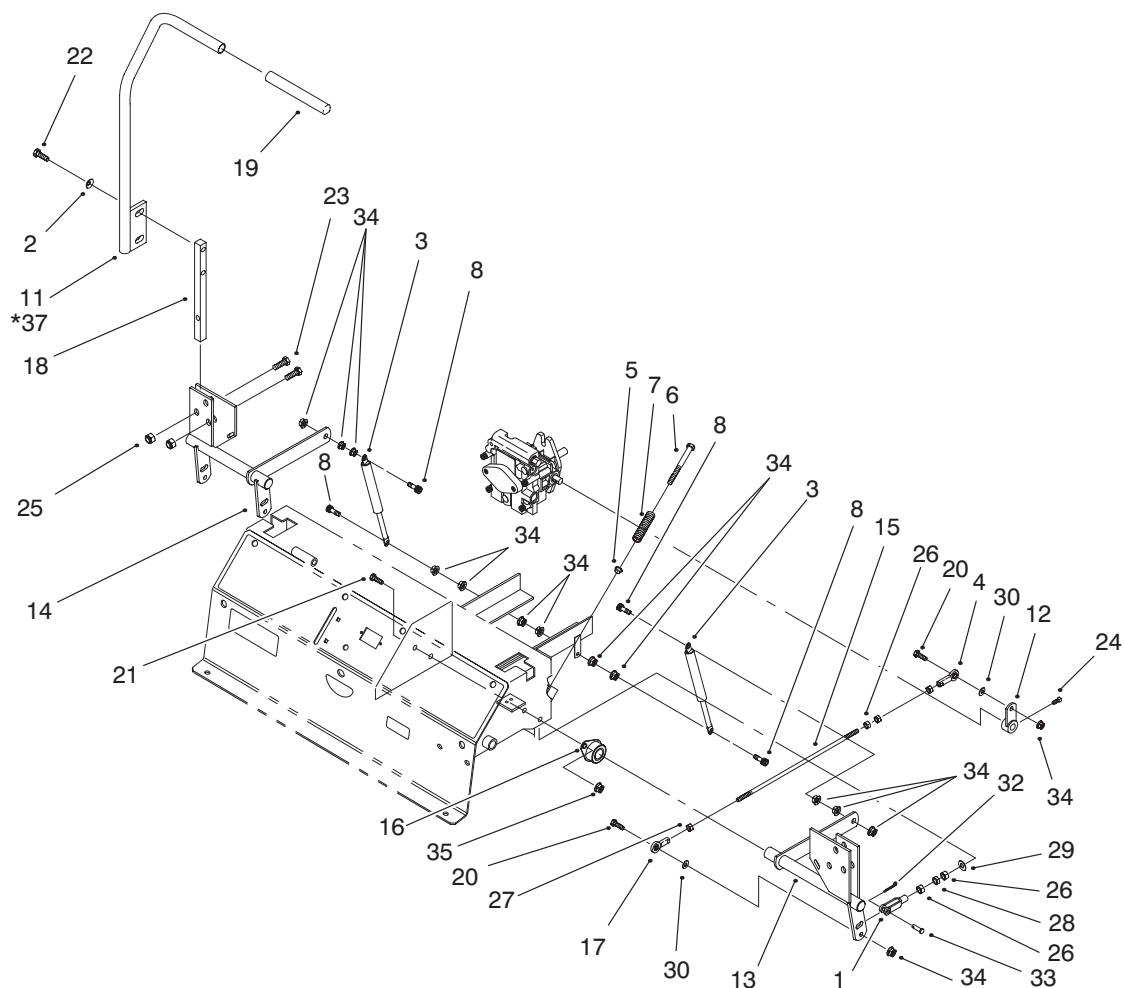
Sheet No.:5

Brake And Wheel Hub Assembly

Ref. No.	Part No.	Qty.	Description
1	E513140	2	Bearing, Control
2	E633454	2	Spring-Brake
3	E633477	3	Rod-Brake
4	E632489	1	Lever-Brakepoint
5	E632217	1	Shaft-Brake
6	E632714	1	Bracket-Brake,LH
9	E633693	2	Band-Brake
10	E633380	4	Spacer-Short, Wheel
11	E633382	4	Spacer-Long, Wheel
12	E633102	2	Bearing-Flange, Side
13	E633131	4	Yoke-Linkage, Brake
14	E633144	2	Pin-Trunion
15	E634927	2	Hub And Drum ASM
15:2	E633926	4	Stud-Wheel
17	E633268	1	Grip-Lever, Brake
18	323-4	4	Screw-HH
19	E808285	4	Pin-Clevis
20	325-17	8	Screw-HH
21	E811007	2	Fitting-Grease
22	3217-9	8	Nut-Hex
23	3219-3	8	Nut-Hex
24	3290-357	4	Nut-Flange, Lock
25	3253-7	8	Washer-Lock/Sp
26	3256-4	4	Washer-Flat
27	3272-10	7	Pin-Cotter
28	E806800	2	Pin-Cotter

Ref. No.	Part No.	Qty.	Description
29	E808283	2	Pin-Clevis
30	E808514	2	Ring-Retaining
31	3256-28	2	Washer-Flat
32	E523157	2	Spacer
*33	E632715	1	Bracket-Brake, RH

* Not illustrated

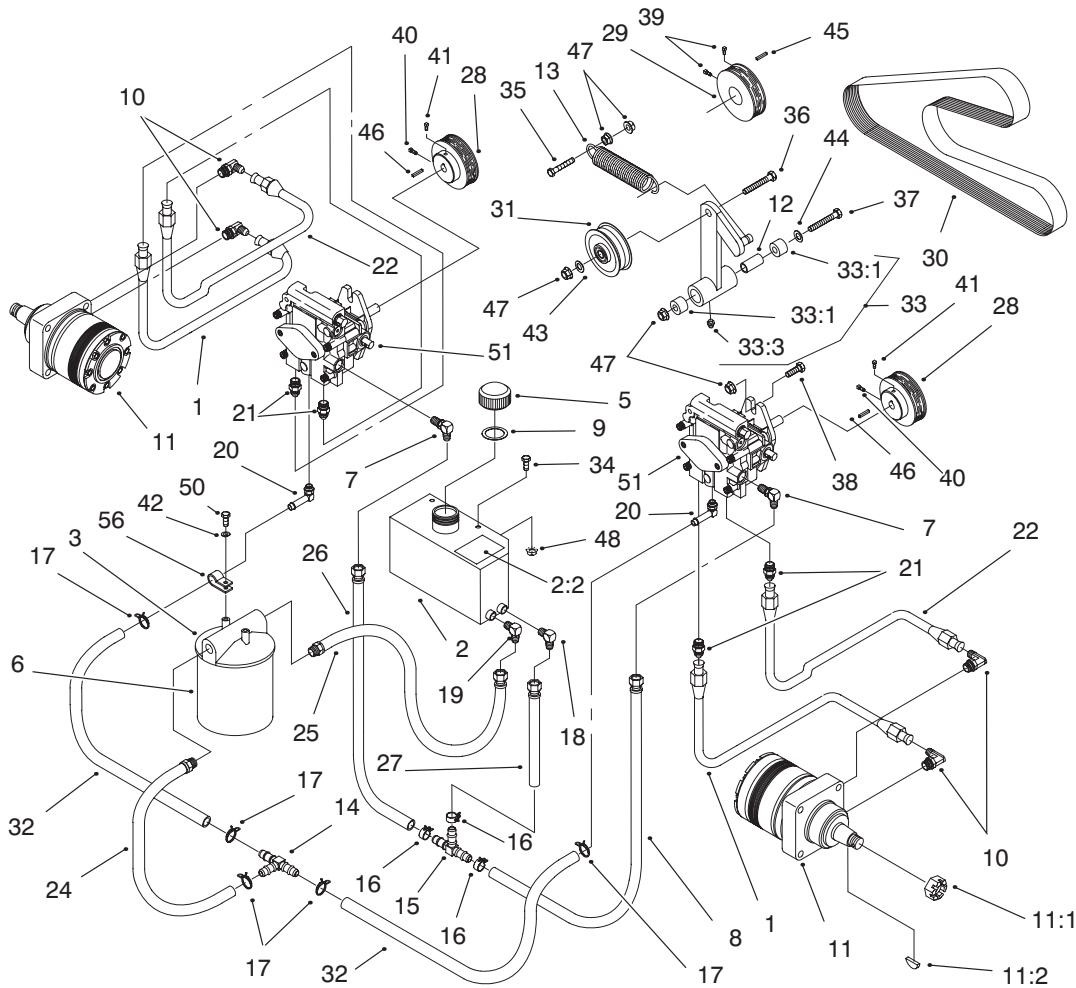


Sheet No.:6

Control Panel Assembly

Ref. No.	Part No.	Qty.	Description	Ref. No.	Part No.	Qty.	Description
1	E303105	2	Yoke-Adjustable	27	3220-20	2	Nut-Jam LH
2	98-5975	4	Washer	28	3220-2	2	Nut-Jam
3	E523027	2	Damper-Control	29	3256-2	2	Washer-Flat
4	E543017	2	Joint-Ball	30	3256-3	4	Washer-Flat
5	E603735	2	Bushing-Flanged, Nylon	32	3272-5	2	Pin-Cotter
6	E603737	2	Bolt-Return, Neutral	33	E808280	2	Pin-Clevis
7	E603807	2	Spring-Return, Neutral	34	32128-20	16	Nut-HF
8	E403180	4	Screw-HH	35	3290-357	8	Nut-Flange, Lock
11	E632193	1	Lever-RH	*37	E632191	1	Lever-LH
12	E632208	2	Arm-Pump Control				
13	E642319	1	Motion Contro, LH				
14	E642320	1	Motion Control, RH				
15	E633153	2	Linkage				
16	E633102	4	Bearing-Flange, Side				
17	E633152	2	Joint-Ball, LH Thread				
18	E633177	2	Arm				
19	E633257	2	Grip-Control, Motion				
20	322-6	4	Screw-HH				
21	323-4	8	Screw-HH				
22	323-6	4	Screw-HH				
23	323-9	6	Screw-HH				
24	E803022	2	Screw				
25	3296-39	6	Nut-Lock, NI				
26	3219-2	10	Nut-Hex				

* Not illustrated

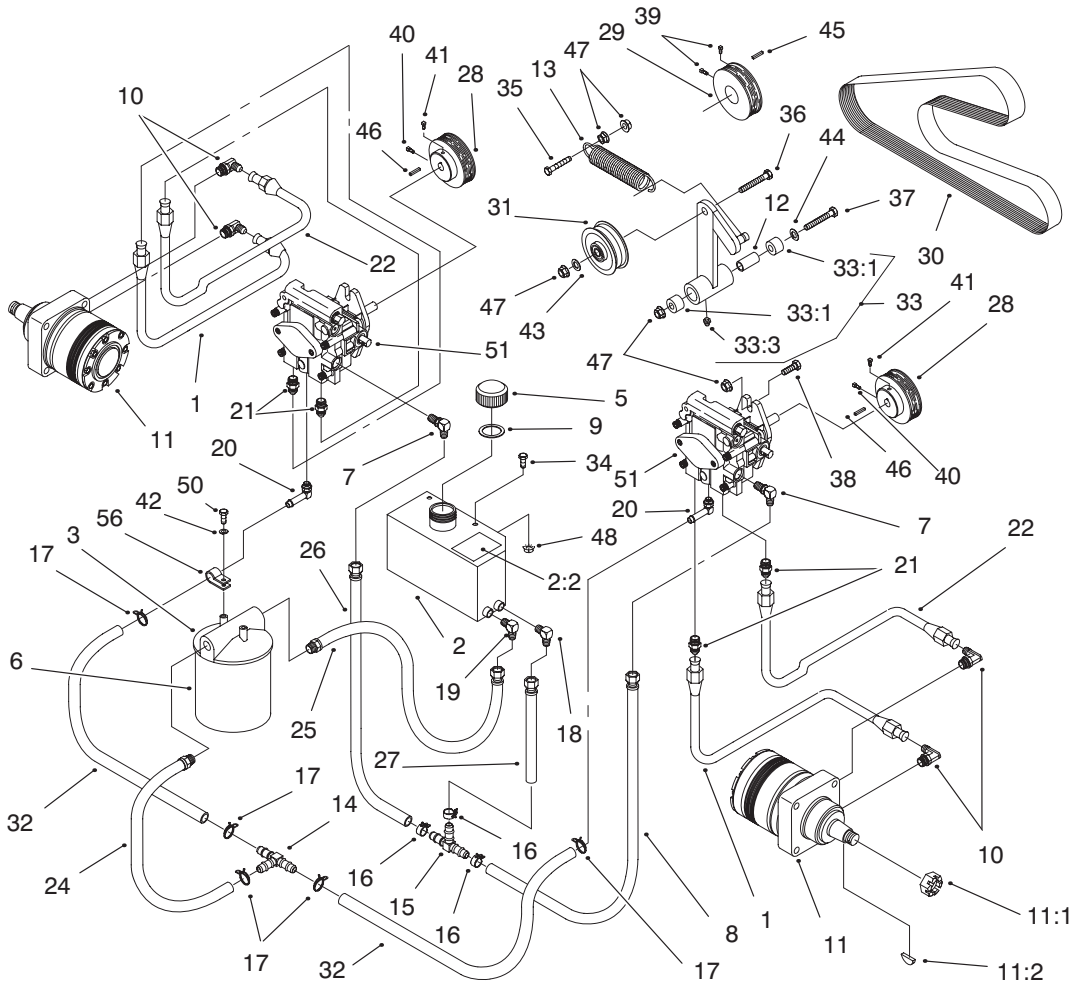


Sheet No.:7

Hydraulic System Assembly

Ref. No.	Part No.	Qty.	Description
1	E633774	2	Hose-High Pressure
2	99-4625	1	Hydraulic Tank ASM
2:2	E523552	1	Decal - Hydraulic Tank, Hot Surface
3	E513006	1	Filter-Head
5	E513167	1	Cap-Reservior, Hydraulic
6	E633750	1	Filter-Hydro
6	E633752	1	Filter-Hydro, Winter
7	E513840	2	Elbow-90°
8	E522217	1	Low Pressure Hose ASM
9	E523103	1	Gasket-Tank/Cap
10	E633786	4	Elbow 90°
11	E523328	2	Motor-Wheel
11:1	E809036	1	Nut-Castle
11:2	E807020	1	Key-Woodruff
12	E603384	1	Bushing-Pivot, Idler
13	E603413	1	Spring-Extension
14	E603721	1	Fitting
15	E603722	1	Fitting
16	E603826	3	Clamp-Hose
17	E603827	5	Clamp-Hose
18	E603987	1	Elbow
19	E603988	1	Elbow
20	E603989	2	Elbow

Ref. No.	Part No.	Qty.	Description
21	E603990	4	Adapter
22	E633775	2	Hose-High Pressure
24	E632281	1	12" Low Pressure Hose ASM
25	E632282	1	13" Low Pressure Hose ASM
26	E632285	1	Hose-Pressure, Low
27	E632286	1	Hose-Pressure, Low
28	E633568	2	Sheave
29	E633567	1	Sheave
30	E633749	1	Belt
31	E633167	1	Pulley-Idler
32	E633335	2	Hose-Low Pressure
33	E634277	1	Arm ASM
33:1	E513034	2	Bearing-Pivot
33:3	E811008	1	Fitting-Grease
34	321-4	2	Screw-HH
35	323-8	1	Screw-HH
36	323-9	1	Screw-HH
37	E800805	1	Screw-HH
38	323-7	4	Screw-HH
39	E803022	2	Screw
40	3242-6	2	Screw-SQH Set
41	3242-4	2	Screw-Set, SQH
42	3253-3	2	Washer-Lock/Sp
43	3256-3	1	Washer-Flat



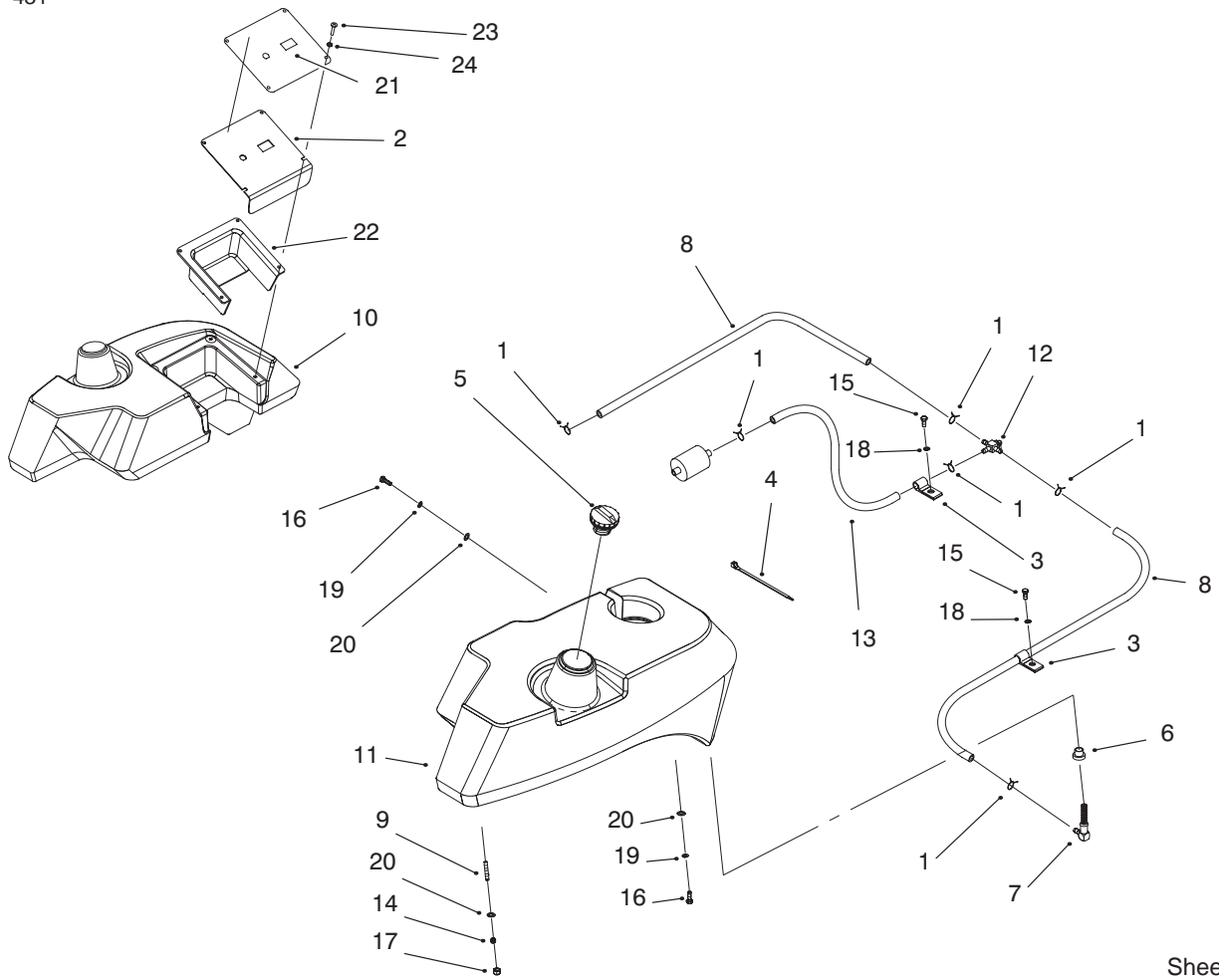
Sheet No.:7

Hydraulic System Assembly (Continued)

Ref. No.	Part No.	Qty.	Description
44	3256-4	1	Washer-Flat
45	13-2840	1	Square Key
46	E807272	2	Key
47	3290-357	8	Nut-Flange, Lock
48	32128-33	2	Nut-HF
50	321-3	2	Screw-HH
*51	80-6130	1	Overhaul Seal Kit
51	E603841	2	Pump-Hydro
56	E513762	1	Clip

Ref. No.	Part No.	Qty.	Description

* Not illustrated

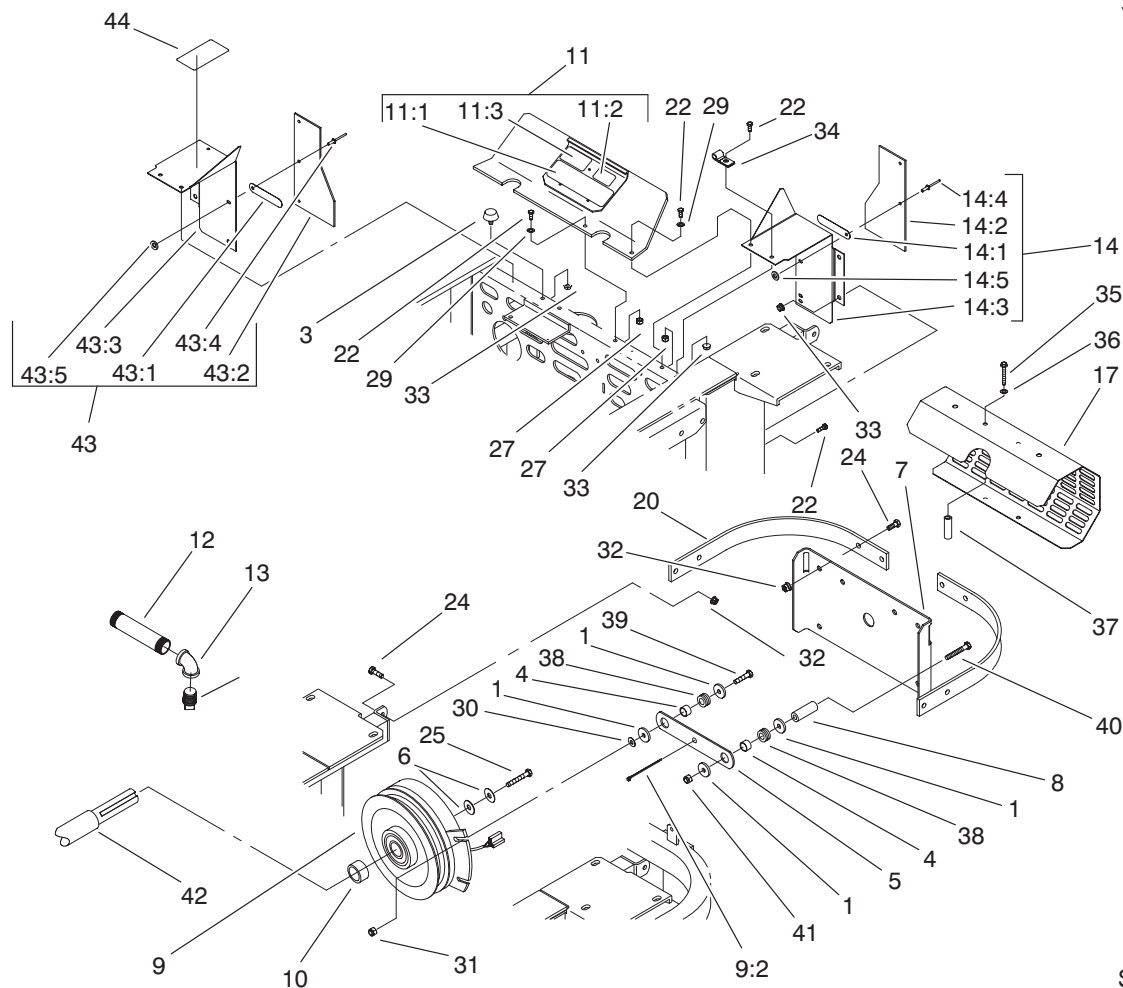


Sheet No.:8

Tank And Fuel Lines Assembly

Ref. No.	Part No.	Qty.	Description
1	E303077	6	Clamp – Gas Line
2	99-4656	1	Panel-Control
3	E513762	2	Clip
4	E303335	1	Tie-Plastic
5	93-3101	2	Cap-Fuel
6	E513645	2	Bushing-Valve, Fuel
7	E543277	2	Elbow-Tank, Fuel
8	E543456	2	Fuel Line
9	E633023	6	Stud
10	99-4608	1	Tank-Fuel, LH
11	99-4607	1	Tank-Fuel, RH
12	E633347	1	Valve-Line, Fuel
13	E633348	1	Line-Fuel
14	E633349	6	Spring-Tank, Fuel
15	321-3	2	Screw-HH
16	322-3	4	Screw-HH
17	3296-47	6	Nut-Lock, NI
18	3253-3	2	Washer-Lock/Sp
19	3253-4	4	Washer-Lock/Sp
20	3256-23	10	Washer-Flat
21	99-4632	1	Decal-Control Panel
22	99-4940	1	Shield-Control Panel
23	E803071	4	Screw
24	E303435	4	Washer-Belleview

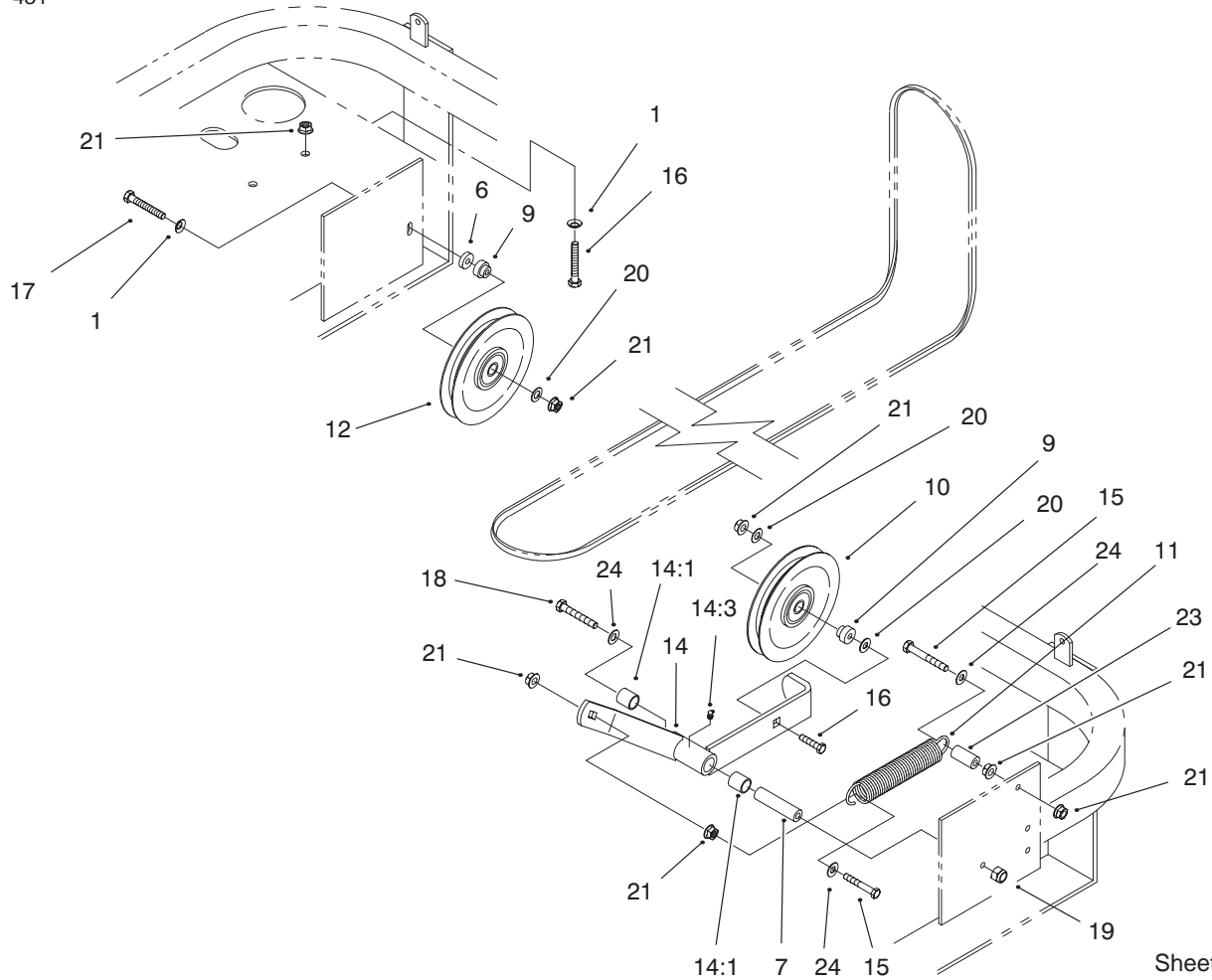
Ref. No.	Part No.	Qty.	Description



Sheet No.:9

Shields And Clutch Assembly

Ref. No.	Part No.	Qty.	Description	Ref. No.	Part No.	Qty.	Description
1	E613235	4	Washer	22	321-4	10	Screw-HH
3	E523420	2	Bumper	24	323-6	6	Screw-HH
4	E633545	2	Spacer-Grommet	25	3212-10	1	Screw-HH
5	E633543	1	Strap-Clutch/Brake	27	32146-17	4	Nut-Lock
6	E603610	2	Washer-Spring, Disc	29	3256-2	4	Washer-Flat
7	E633615	1	Guard-Clutch	30	3256-3	1	Washer-Flat
8	E633988	1	Spacer-Clutch, Anchor	31	32128-20	1	Nut-HF
9	E631731	1	Clutch	32	3290-357	4	Nut-Flange, Lock
9:2	E303335	2	Tie-Plastic	33	32128-33	7	Nut-HF
10	E633453	1	Spacer-Clutch	34	E633396	1	Clip-Loom
11	E644276	1	Shield ASM	35	E809076	2	Screw-HH
11:1	E643252	1	Decal-Belt, Drive	36	E323235	2	Washer-Spring, Disc
11:2	E513748	1	Decal-Guard	37	E323236	2	Spacer
11:3	E633462	1	Decal-Important	38	E633630	2	Grommet
12	E543232	1	Nipple	39	322-6	1	Screw-HH
13	E303428	1	Elbow	40	322-19	1	Screw-HH
14	E634796	1	Shield-LH	41	3296-29	1	Nut-Lock,NI
14:1	E523285	1	Clip,Rear Baffle	42	E643026	1	Kohler Command Ch22
14:2	E633301	1	Shield - Engine	43	E634797	1	Shield-RH
14:3	E633795	1	Baffle-Engine Shield, LH	43:1	E523285	1	Clip,Rear Baffle
14:4	E803035	3	Pop Rivet	43:2	E633301	1	Shield - Engine
14:5	3256-23	3	Washer-Flat	43:3	E633305	1	Baffle
17	E643313	1	Guard-Muffler	43:4	E803035	3	Pop Rivet
20	E643264	2	Bracket-Guard, Top	43:5	3256-23	1	Washer-Flat
				44	E643339	1	Decal-Belt Routing

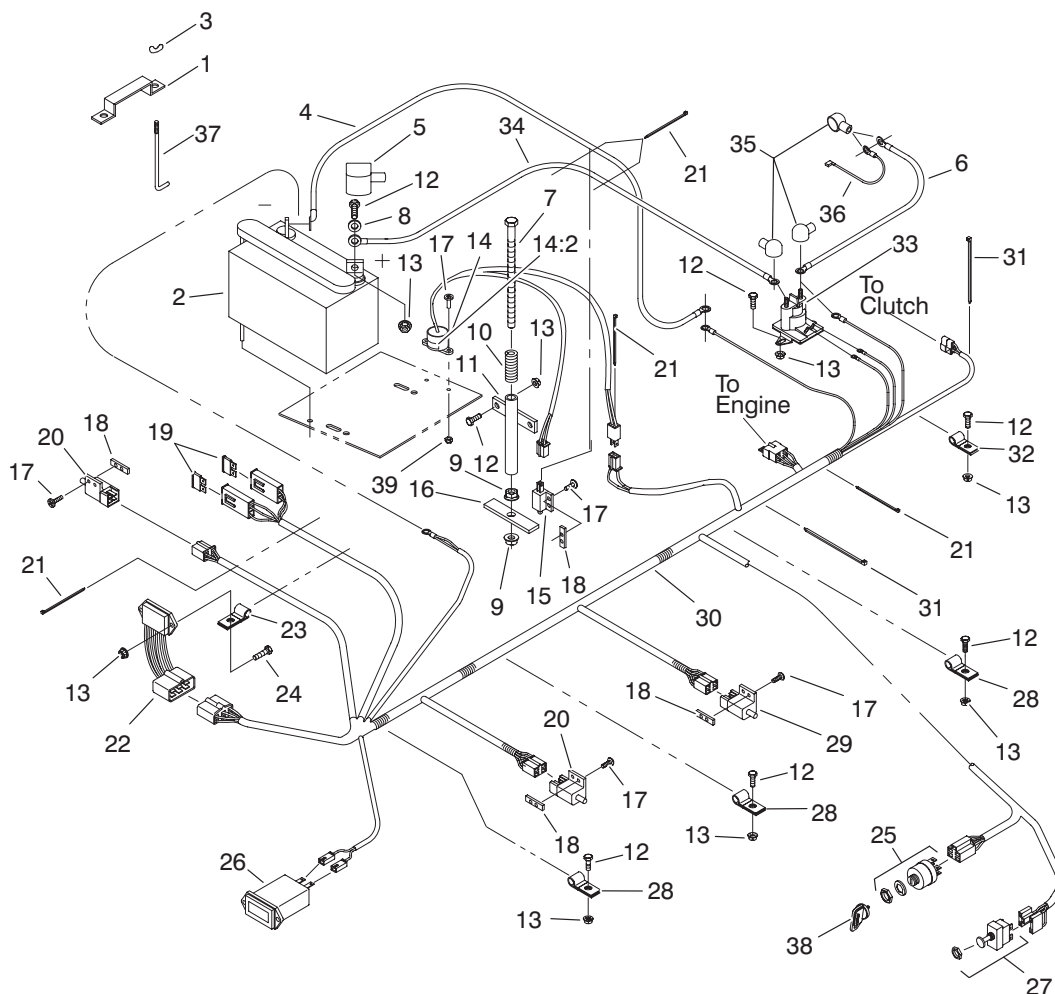


Sheet No.:10

Idler Assembly

Ref. No.	Part No.	Qty.	Description
1	98-5975	5	Washer
6	E603050	1	Bushing Spacer
7	E603384	1	Bushing-Pivot, Idler
9	E603496	2	Bushing-Idler
10	E603805	1	Idler
11	E603402	1	Spring-Extension
12	E633166	1	Pulley-Idler
14	99-4677	1	Arm-Idler Assembly
14:1	E513034	2	Bearing-Pivot
14:3	E811008	1	Fitting-Grease
15	323-11	2	Screw-HH
16	323-9	5	Screw-HH
17	323-13	1	Screw-HH
18	E800805	1	Screw-HH
19	3296-39	1	Nut-Lock, NI
20	3256-24	4	Washer-Flat
21	3290-357	10	Nut-Flange, Lock
23	E603401	1	Spacer-Fender
24	3256-4	3	Washer-Flat

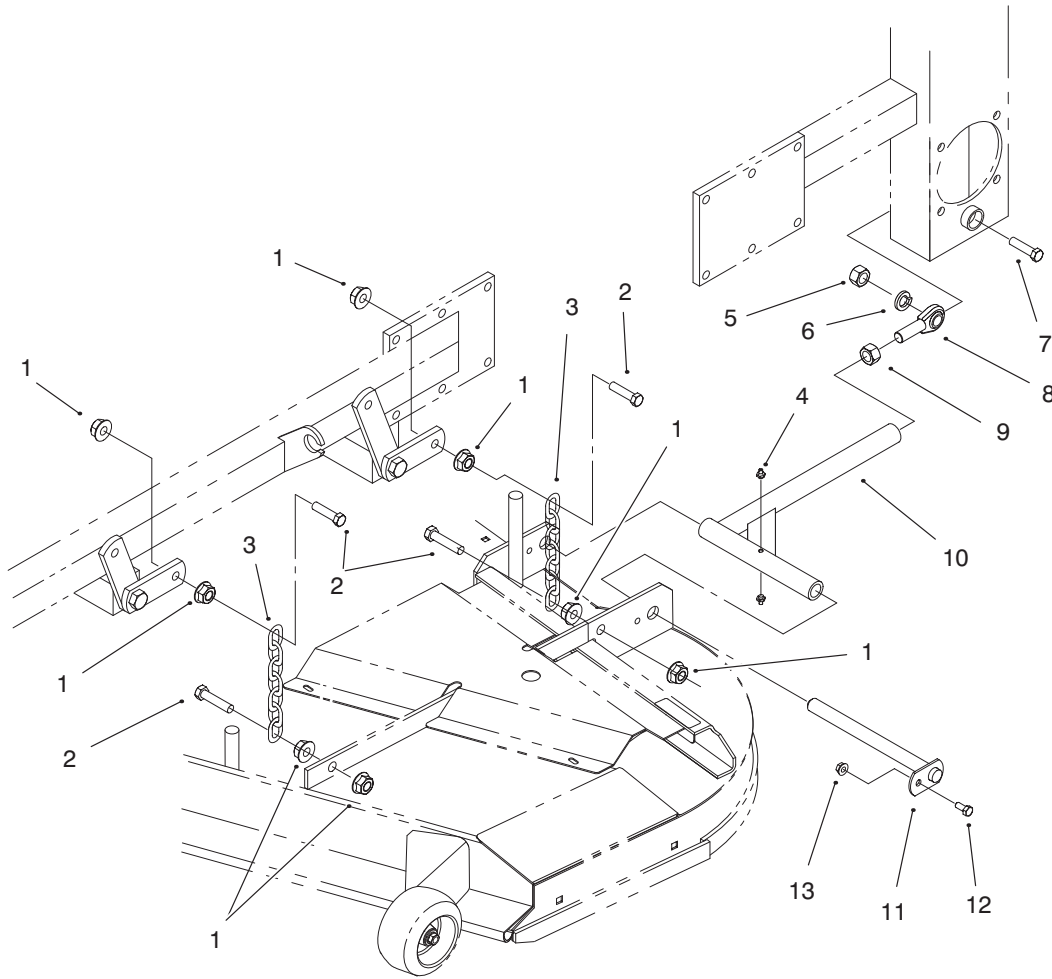
Ref. No.	Part No.	Qty.	Description



Sheet No.:11

Electrical System Assembly

Ref. No.	Part No.	Qty.	Description	Ref. No.	Part No.	Qty.	Description
1	E633652	1	Strap-Hold Down, Battery	24	321-6	1	Screw-HH
2	E603479	1	Battery-12v	25	E543070	1	Switch-Ignition
3	E543792	2	Wingnut-Nyloc	26	E513374	1	Meter-Hours, Engine
4	E633307	1	Wire-Ground	27	E633673	1	Switch-PTO
5	E543391	1	Insulator-Battery	28	E633396	3	Clip-Loom
6	E633306	1	Wire-Starter	29	E633110	1	Switch-Brake
7	E800282	1	Screw-HH	30	E643119	1	Harness-Wiring
8	3256-2	2	Washer-Flat	31	E303335	4	Tie-Plastic
9	32128-20	2	Nut-HF	32	E323229	1	Clip-Loom
10	E523415	1	Spring-Switch, Seat	33	E513075	1	Switch-Solenoid, 12v
11	E522424	1	Spring Mount	34	E523281	1	Cable-Battery
12	321-4	8	Screw-HH	35	E543393	3	Insulator-Solenoid
13	32128-33	11	Nut-HF	36	E543084	1	Wire-Starter Solonoid
14	E644427	1	Switch-Tilt	37	E633651	2	Bolt-Hold Down, Battery
14:2	E643401	1	Decal-Mercury Switch	38	63-8360	2	Key-Ignition
15	E513152	1	Switch-Seat	39	3296-2	2	Nut-Lock
16	E513180	1	Actuator - Switch, Seat				
17	E803028	10	Screw				
18	E633181	4	Plate-Tapped				
19	E816001	2	Fuse				
20	E633111	2	Switch-Lever, Drive				
21	E303287	5	Tie-Plastic				
22	E543316	1	Module-Safety				
23	E513762	1	Clip				

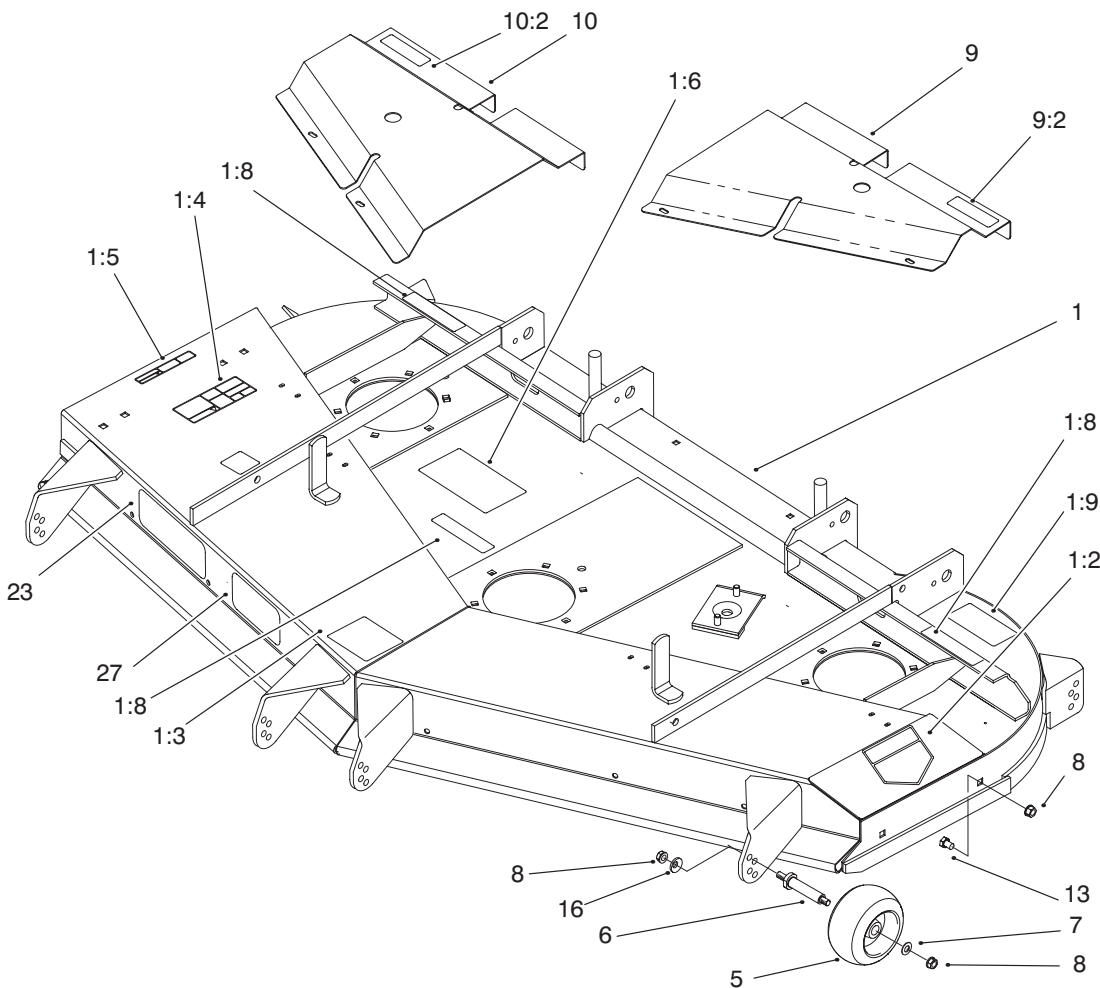


Sheet No.:12

Frame And Deck Assembly

Ref. No.	Part No.	Qty.	Description
1	32128-37	16	Nut-Hex Flange
2	324-6	8	Screw-HH
3	E633447	4	Chain-Lift, Deck
4	302-19	4	Fitting - Grease
5	3217-11	2	Nut-Hex
6	3253-8	2	Washer-Lock, Sp
7	327-11	2	Screw-HH
8	E633029	2	End-Rod, Spherical
9	3219-6	2	Nut-Hex
10	E632690	2	Strut
11	E632199	2	Pin-Strut, Deck
12	322-3	2	Screw-HH
13	3296-29	2	Nut-Lock NI

Ref. No.	Part No.	Qty.	Description

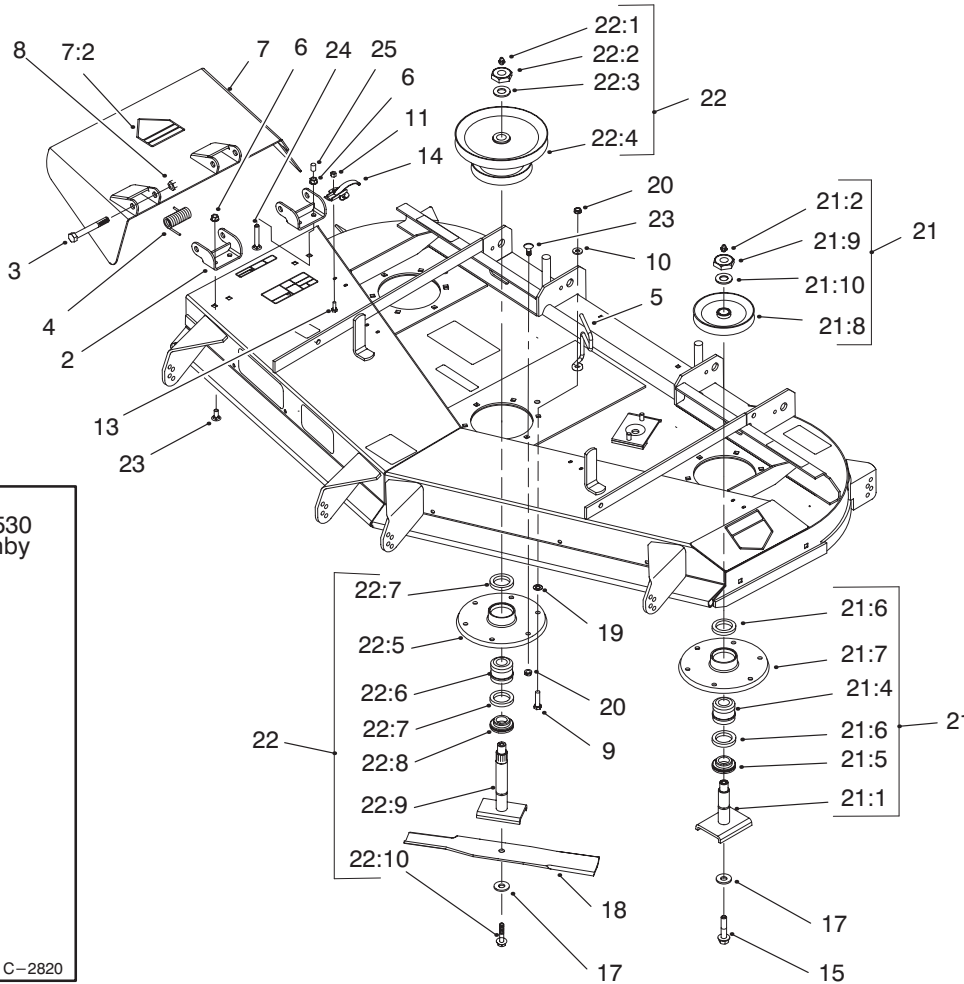


Sheet No.:32

Deck, Deflector And Roller Assembly

Ref. No.	Part No.	Qty.	Description
1	100-4272	1	62" Deck ASM
1:2	43-8480	1	Decal-Danger
1:3	98-3798	1	Decal-Wheel, Gage
1:4	66-1340	1	Decal-Danger
1:5	66-6380	1	Decal-Danger
1:6	99-4686	1	Decal-Belt Routing
1:8	98-5954	3	Decal-Missing, Cover
1:9	93-7818	1	Decal-Torque, Blade Bolt
5	68-2730	6	Wheel-Gage
6	99-2842	6	Spacer-Wheel
7	E373034	6	Washer-Swivel
8	3290-357	14	Nut-Flange, Lock
9	98-5955	1	LH Cover ASM
9:2	67-5360	1	Decal-Danger
10	98-5956	1	RH Cover ASM
10:2	67-5360	1	Decal-Danger
13	323-2	2	Screw-HH
16	98-5975	6	Washer
23	99-4619	1	Decal-Sfs
27	99-4620	1	Decal - 62"

Ref. No.	Part No.	Qty.	Description



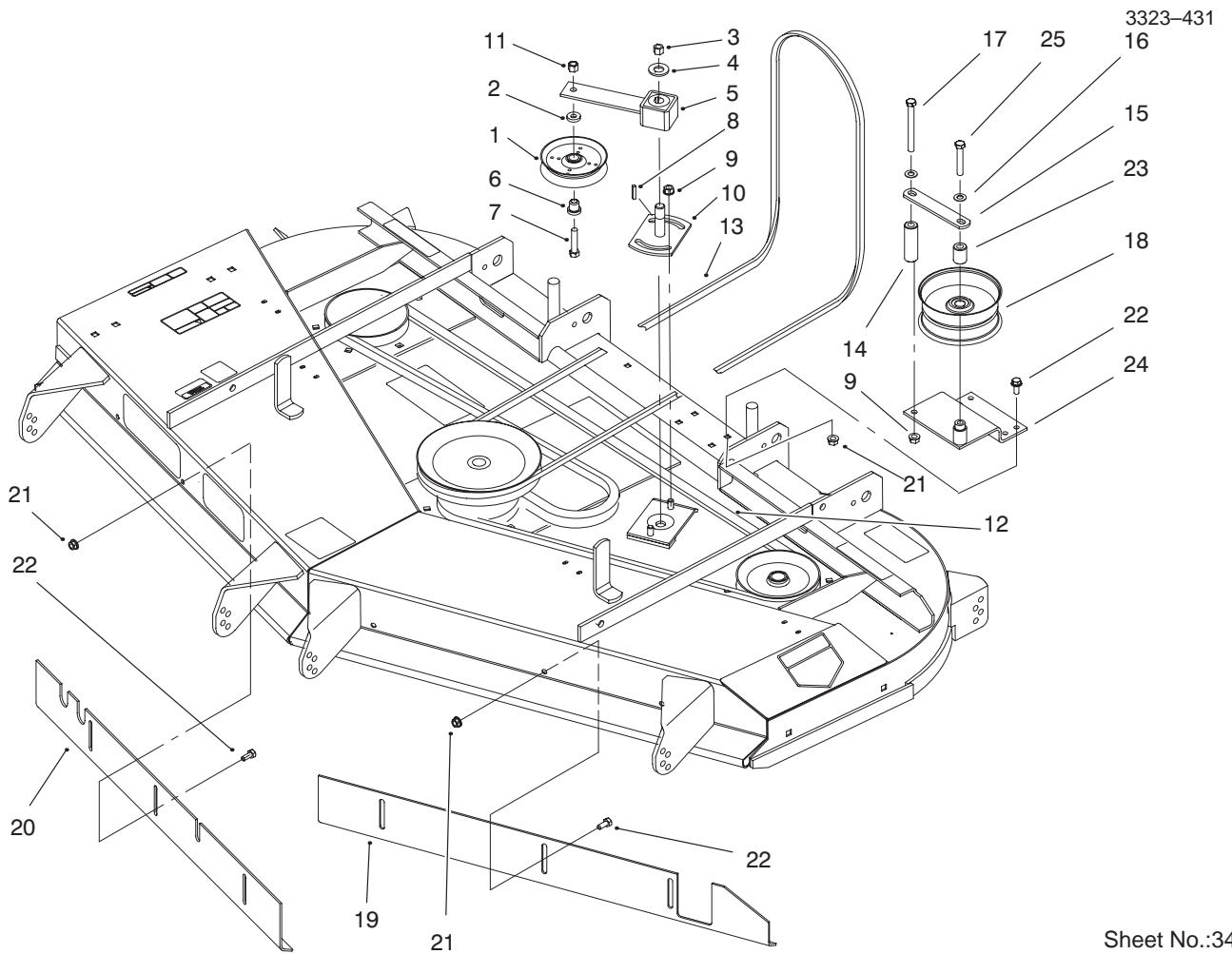
Sheet No.:33

Spindle And Pulley Assembly

Ref. No.	Part No.	Qty.	Description
2	51-1530-01	2	Bracket-Hinge
3	325-17	2	Screw-HH
4	51-1550	2	Spring
5	99-8933	1	Guide-Belt
6	3290-357	4	Nut-Flange, Lock
7	14-0909	1	Deflector ASM
7:2	54-9220	1	Decal-Danger
8	32153-5	2	Nut-Lock
9	323-8	1	Screw-HH
10	3256-3	1	Washer-Flat
11	32128-17	8	Nut-Flange, Lock
13	3290-321	8	Screw-HWH
14	249-21	4	Clamp-Slotted
15	92-5816	2	Flangebolt-Blade
17	E513435	3	Washer-Spring
18	44-6250	3	Blade 21.5
19	3256-24	1	Washer-Flat
20	32128-21	18	Nut-HF
21	99-4640	2	Spindle Housing ASM
21:1	27-0920	1	Shaft-Spindle
21:2	302-2	1	Fitting-Grease
21:4	46-8530	1	Bearing ASM
*21:4:1	27-0960	1	Bearing ASM
*21:4:2	27-5970	1	Spacer-Matched Set
21:5	27-0950	1	Spacer-Bearing, Spindle

Ref. No.	Part No.	Qty.	Description
21:6	253-139	2	Seal-Oil
21:7	61-4160	1	Spindle
21:8	99-4614	1	Pulley & Hub
21:9	32146-20	1	Nut-Jam
21:10	7-4150	1	Washer-Pinion
22	99-4944	1	Spindle Housing ASM
22:1	302-2	1	Fitting-Grease
22:2	32146-20	1	Nut-Jam
22:3	92-5836	1	Washer - Axle
22:4	99-4939-03	1	Pulley & Hub ASM
22:5	61-4160	1	Spindle
22:6	46-8530	1	Bearing ASM
*22:6:1	27-0960	1	Bearing ASM
*22:6:2	27-5970	1	Spacer-Matched Set
22:7	253-139	2	Seal-Oil
22:8	27-0950	1	Spacer-Bearing, Spindle
22:9	51-3551	1	Shaft-Spindle
22:10	92-5816	1	Flangebolt-Blade
23	3231-22	20	Screw-CARR
24	3231-33	1	Screw-CARR
25	105316	1	Cap-Plunger Rod

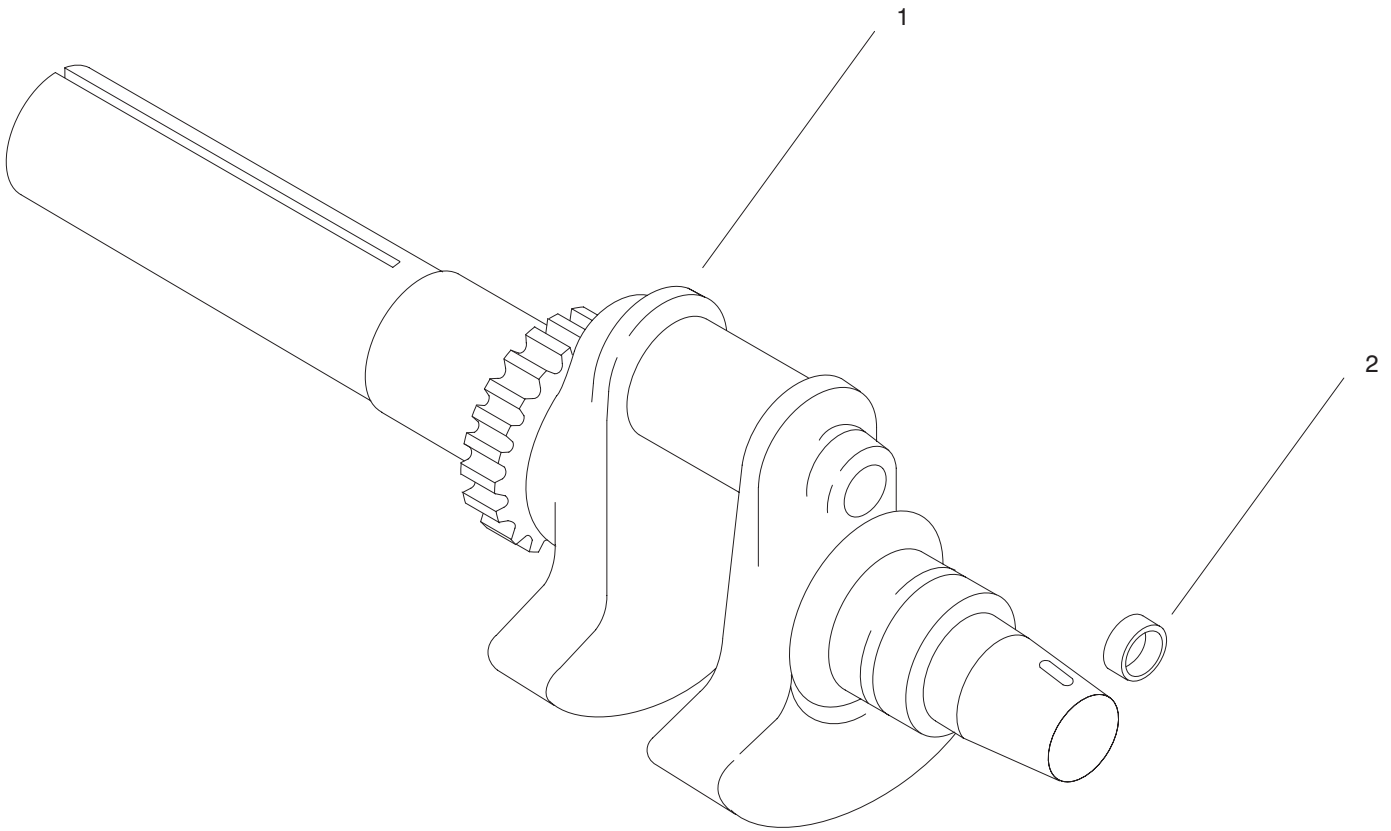
* Not illustrated



Sheet No.:34

Belts And Idler Arm Assembly

Ref. No.	Part No.	Qty.	Description	Ref. No.	Part No.	Qty.	Description
1	65-5940	1	Pulley-Idler				
2	7-0081	1	Washer-Flat				
3	3296-71	1	Nut-Lock NI				
4	3256-27	1	Washer-Flat				
5	27-8580	1	Idler Socket & Bushing ASM				
6	65-5950	1	Bushing-Pulley				
7	3211-8	1	Screw-HH				
8	5-1077	1	Key-Square				
9	3290-357	3	Nut-Flange, Lock				
10	44-6301	1	Plate-Idler, LH				
11	3296-5	1	Nut-Lock, NI				
12	44-6260	1	V Belt				
13	99-4647	1	V Belt-Deck Drive				
14	99-4659	1	Spacer-Bracket				
15	E653189	1	Plate-Guide, Belt				
16	98-5975	2	Washer				
17	323-42	1	Screw-HH				
18	E413099	1	Pulley-Idler				
19	99-2833-03	1	Front Baffle-LH				
20	99-2834-03	1	Front Baffle-RH				
21	32128-20	10	Nut-HF				
22	3234-5	10	Screw-HHF				
23	E653190	1	Spacer				
24	99-4684	1	Bracket-Pulley				
25	323-11	1	Screw-HH				

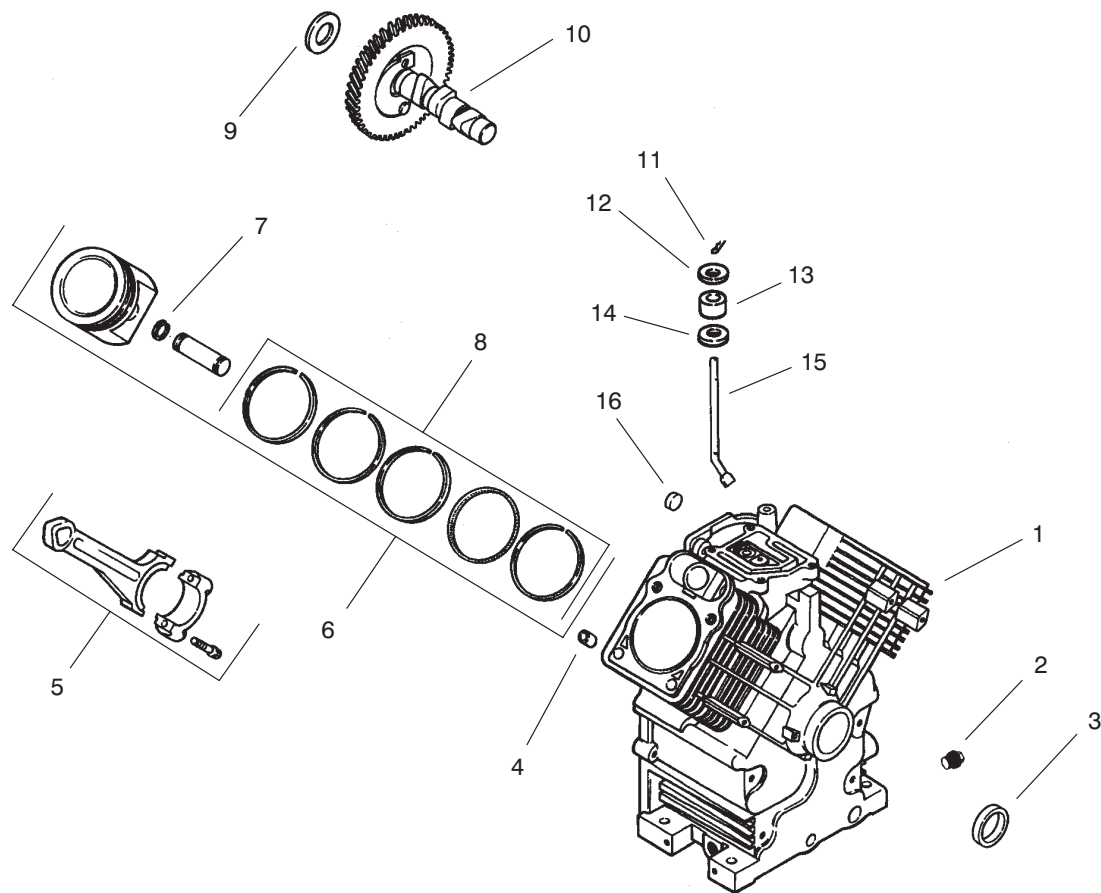


Group 1 – Crankshaft (CH22S 76513 Kohler)

Ref. No.	Part No.	Qty.	Description
1	24 014 84	1	Crankshaft
2	52 139 09	1	Plug, cup

Ref. No.	Part No.	Qty.	Description

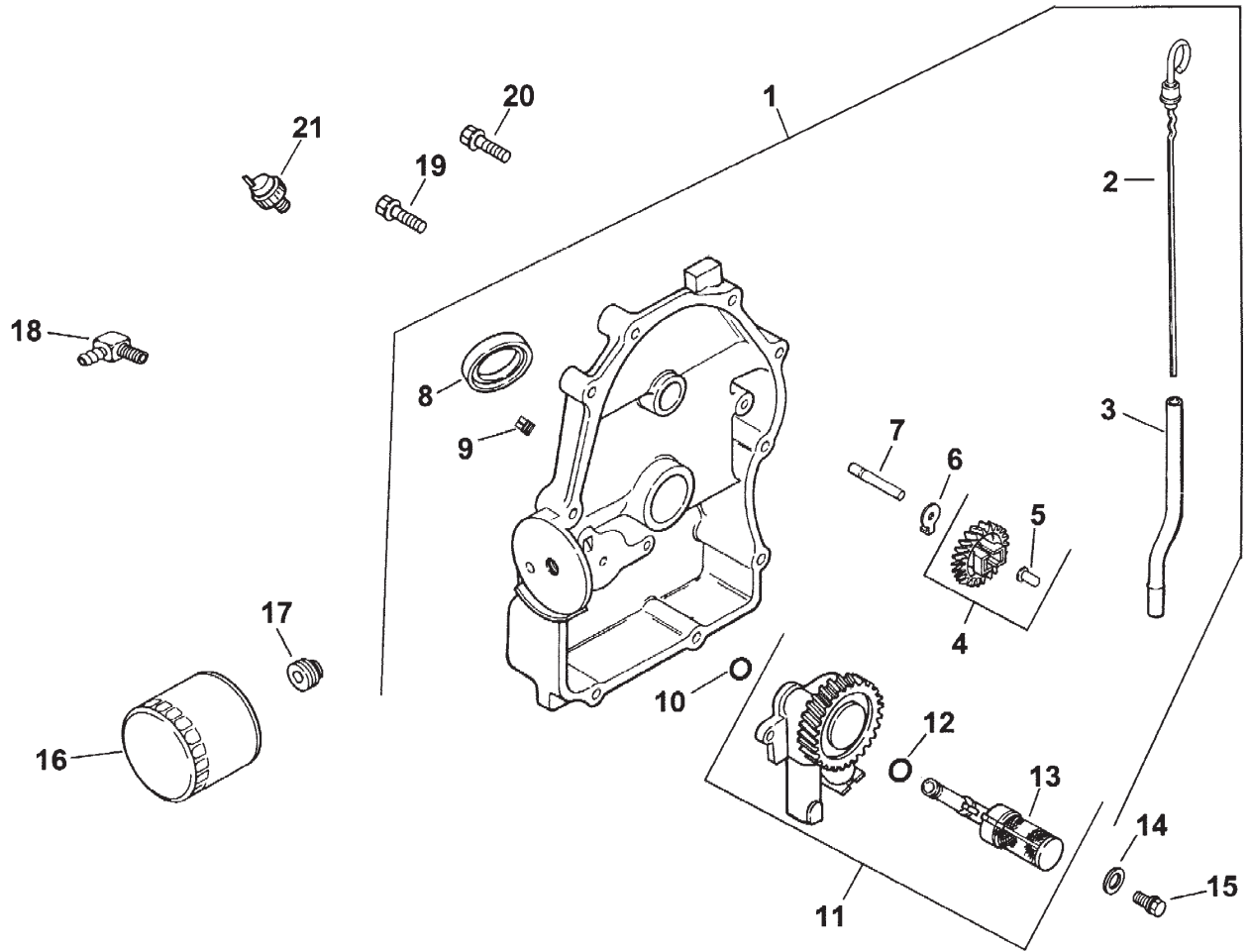
Obtain Parts From Kohler



Group 2 – Crankcase (CH22S 76513 Kohler)

Ref. No.	Part No.	Qty.	Description	Ref. No.	Part No.	Qty.	Description
1			Crankcase	13	12 032 01	1	Seal, governor cross shaft
2	X-75-10	2	Plug, pipe	14	X-25-102	1	Washer, plain
3	24 032 01	1	Seal, oil front	15	24 144 01	1	Shaft, governor cross
4	12 380 17	6	Pin, dowel locating	16	52 139 09	1	Plug, cup
5	24 067 13	2	Connecting Rod (Std.)				
	24 067 14	2	Connecting Rod (.25)				
6	24 874 09	2	Piston w/Ring Set (Std.)				
	24 874 10	2	Piston w/Ring Set (.25)				
	24 874 11	2	Piston w/Ring Set (.50)				
7	24 018 01	4	Retainer, piston pin				
8	24 108 08	2	Ring Set (Std.)				
	24 108 09	2	Ring Set (.25)				
	24 108 10	2	Ring Set (.50)				
9	12 422 09	A/R	Shim, camshaft – red				
	12 422 13	A/R	Shim, camshaft – black				
	12 422 07	A/R	Shim, camshaft – white				
	12 422 08	A/R	Shim, camshaft – blue				
	12 422 10	A/R	Shim, camshaft – yellow				
	12 422 11	A/R	Shim, camshaft – green				
	12 422 12	A/R	Shim, camshaft – gray				
10	24 012 10	1	Camshaft				
11	12 380 04	1	Pin, hitch				
12	M-0631005	1	Washer, flat				

Obtain Parts From Kohler

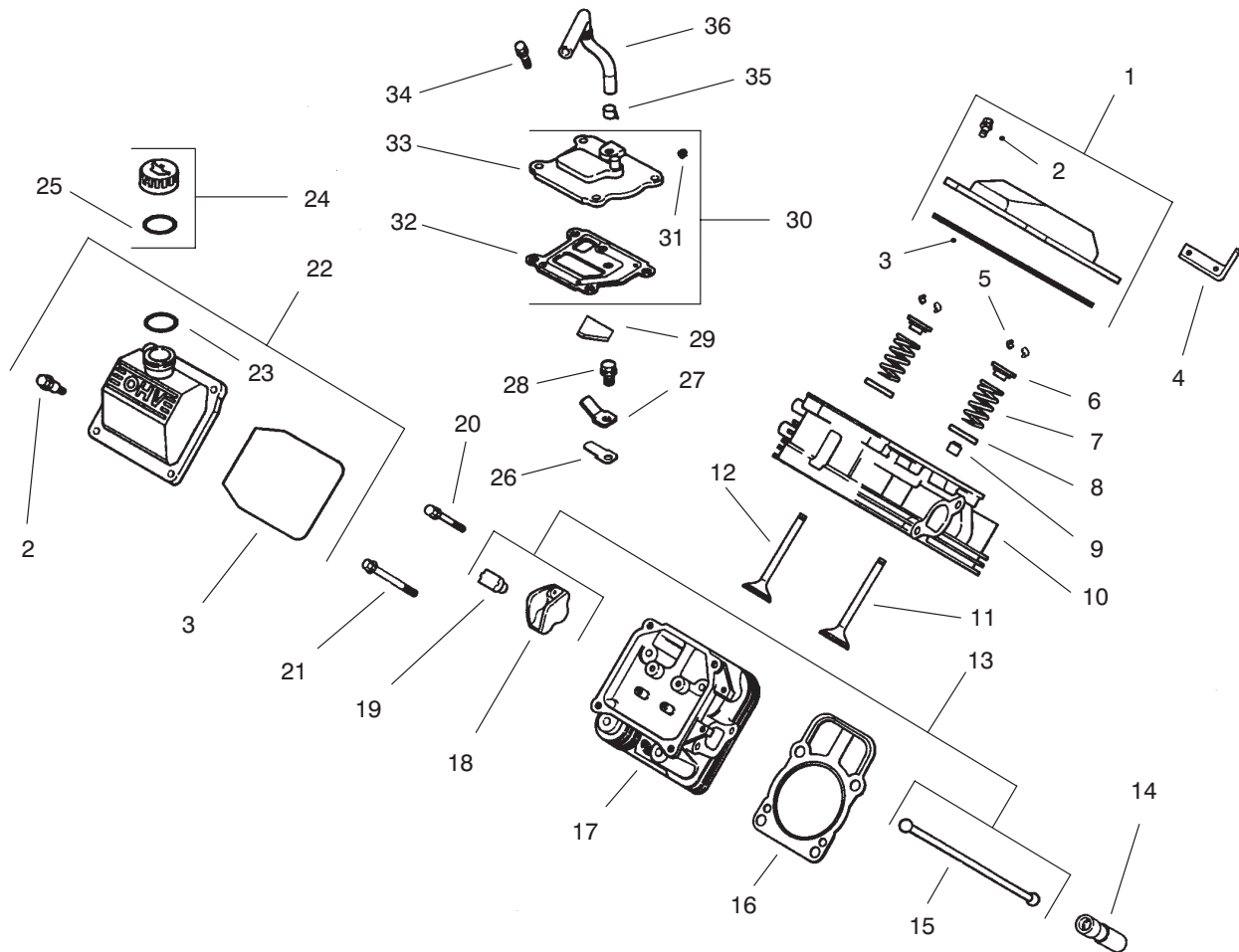


Group 3 – Oil Pan/Lubrication (CH22S 76513 Kohler)

Ref. No.	Part No.	Qty.	Description
1	24 009 83	1	Plate, closure assembly (Includes 2-12)
2	24 038 06	1	Dipstick
3	24 123 08	1	Tube, dipstick
4	24 043 12	1	Kit, governor gear (Includes 5)
5	12 380 01	1	Pin, governor regulating
6	52 448 02	1	Tab, locking
7	12 144 02	1	Shaft, governor gear
8	52 032 08	1	Seal, oil (PTO end)
9	X-75-23	2	Plug, pipe 1/8"
10	24 153 08	1	O-Ring
11	24 393 10	1	Oil pump assembly (Includes 12,13)
12	24 153 01	1	O-Ring, oil pick-up
13	24 381 04	1	Pick-up, oil
14	M-0631005	2	Washer, plain 6 mm
15	M-0645025	2	Screw, hex flange
16	52 050 02	1	Filter, oil
17	24 136 01	1	Nipple, oil filter
18	25 155 02	1	Connector
19	24 086 16	9	Screw, hex flange
20	24 086 17	1	Screw, hex flange

Ref. No.	Part No.	Qty.	Description
21	24 099 03	1	Switch, pressure

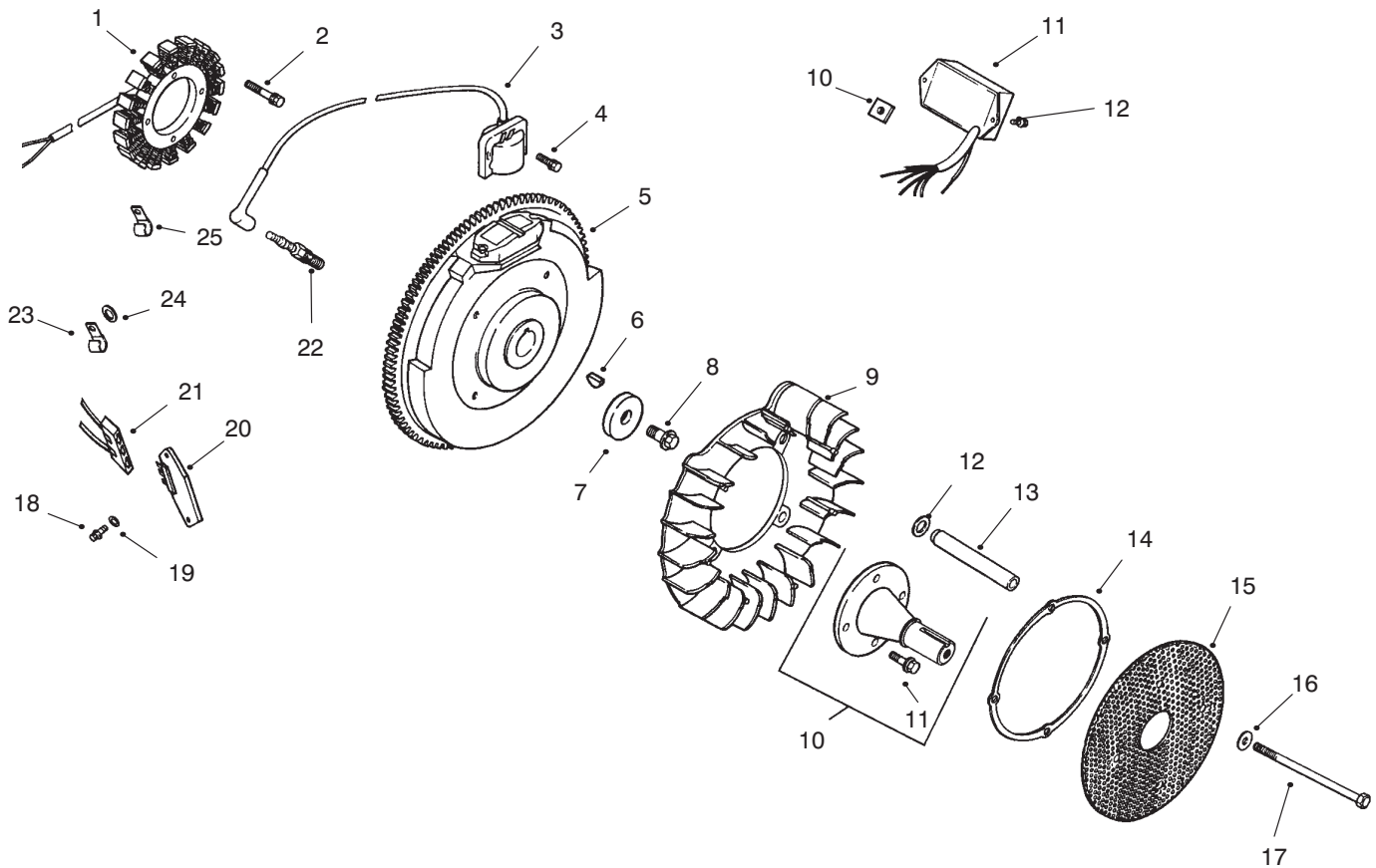
Obtain Parts From Kohler



Group 4 – Head/Valve/Breather (CH22S 76513 Kohler)

Ref. No.	Part No.	Qty.	Description	Ref. No.	Part No.	Qty.	Description
1	24 755 74	1	Kit, valve cover – plain (Includes 2–3)	21	24 086 44	8	Screw, hex. flange
2	24 086 32	4	Screw, shoulder	22	24 755 75	1	Kit, valve cover – oil fill (Includes 2,3,23)
3	24 153 16	1	O–Ring, valve cover	23	24 153 09	1	O–Ring
4	24 445 01	1	Strap, lifting	24	24 755 46	1	Kit, oil fill cap (Includes 25)
5	12 755 03	4	Kit, retainer	25	12 153 03	1	O–Ring, oil fill cap
6	12 173 01	4	Cap, valve spring	26	24 402 03	1	Reed, breather
7	24 089 02	4	Spring, valve	27	12 018 01	1	Retainer, breather reed
8	235011	4	Retainer, spring	28	M–0545010	1	Screw, hex. flange
9	24 032 05	2	Seal, valve stem	29	24 050 01	1	Filter, breather
10	24 318 13	1	Head assembly, #1 cylinder	30	24 033 01	1	Kit, breather (Includes 31–33)
11	24 017 01	2	Valve, intake (Std.)	31	X–75–23	1	Plug, allen head pipe
	24 017 02	2	Valve, intake (.25)	32	24 041 23	1	Gasket, breather
12	24 016 01	2	Valve, exhaust (Std.)	33	24 096 02	1	Cover, breather
	24 016 02	2	Valve, exhaust (.25)	34	M–0645020	4	Screw, hex. flange
13	24 755 66	1	Kit, valve train (Includes 15,18,19)	35	X–426–9	1	Clamp, breather
14	12 351 02	4	Lifter, valve	36	24 326 06	1	Hose, breather
15	24 411 05	4	Rod, push				
16	24 041 40	2	Gasket, cylinder head				
17	24 318 10	1	Head assembly, #2 cylinder				
18	25 186 01	4	Arm, rocker				
19	24 599 01	4	Pivot, rocker arm				
20	M–0640034	4	Screw, hex. flange				

Obtain Parts From Kohler

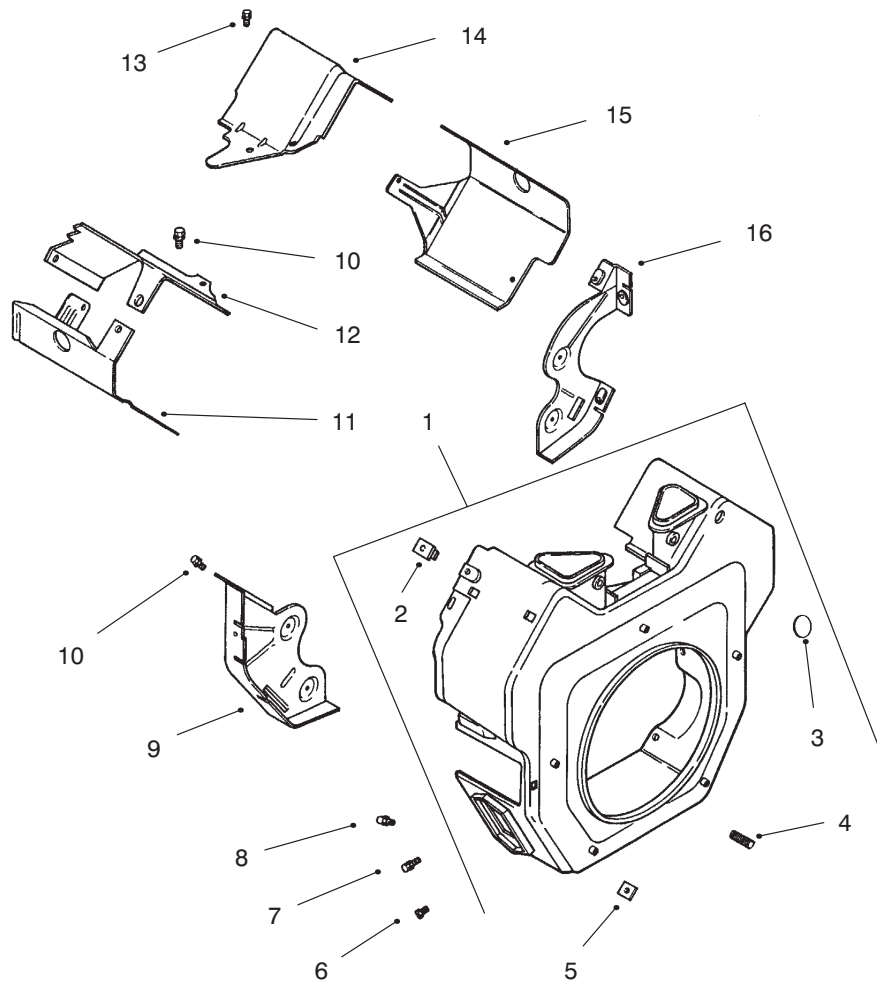


Group 5 – Ignition/Electrical (CH22S 76513 Kohler)

Ref. No.	Part No.	Qty.	Description
1	54 755 09	1	Kit, 15 amp stator (Incl. 24 126 71 bracket)
2	M-0548025	2	Screw, hex. cap
3	24 584 01	2	Module, ignition
4	M-0545020	4	Screw, hex. socket hd.
5	24 025 11	1	Flywheel
6	X-42-15	1	Key
7	12 468 03	1	Washer, plain 3/8"
8	12 086 14	1	Screw, hex flange
9	24 157 03	1	Fan
10	24 755 08	1	Kit, front drive shaft (Includes 14)
11	M-0839025	4	Screw, hex flange
12	24 468 11	4	Washer, spring 10mm
13	24 112 14	4	Spacer
14	24 141 06	1	Ring, support
15	24 162 22	1	Screen, grass
16	X-25-53	4	Washer, plain 1/4"
17	M-0603100	4	Screw, hex
18	24 086 18	2	Screw, phillips hd.
19	X-25-92	2	Washer, plain 3/16
20	25 403 03	1	Rectifier-regulator, 15 amp
21	236602	1	Connector
22	12 132 06	2	Spark Plug

Ref. No.	Part No.	Qty.	Description
23	48 154 02	1	Clip, cable
24	X-25-63	1	Washer, plain 1/4"
25	235173	1	Clip, cable
	25 518 28	1	Not Illustrated Lead, black, (4" – 18 gauge – insulated grip barrel eyelet terminals)
	24 176 07	1	Harness, wiring
	24 126 71	1	Bracket, stator wire
	X-22-11	1	Washer, lock

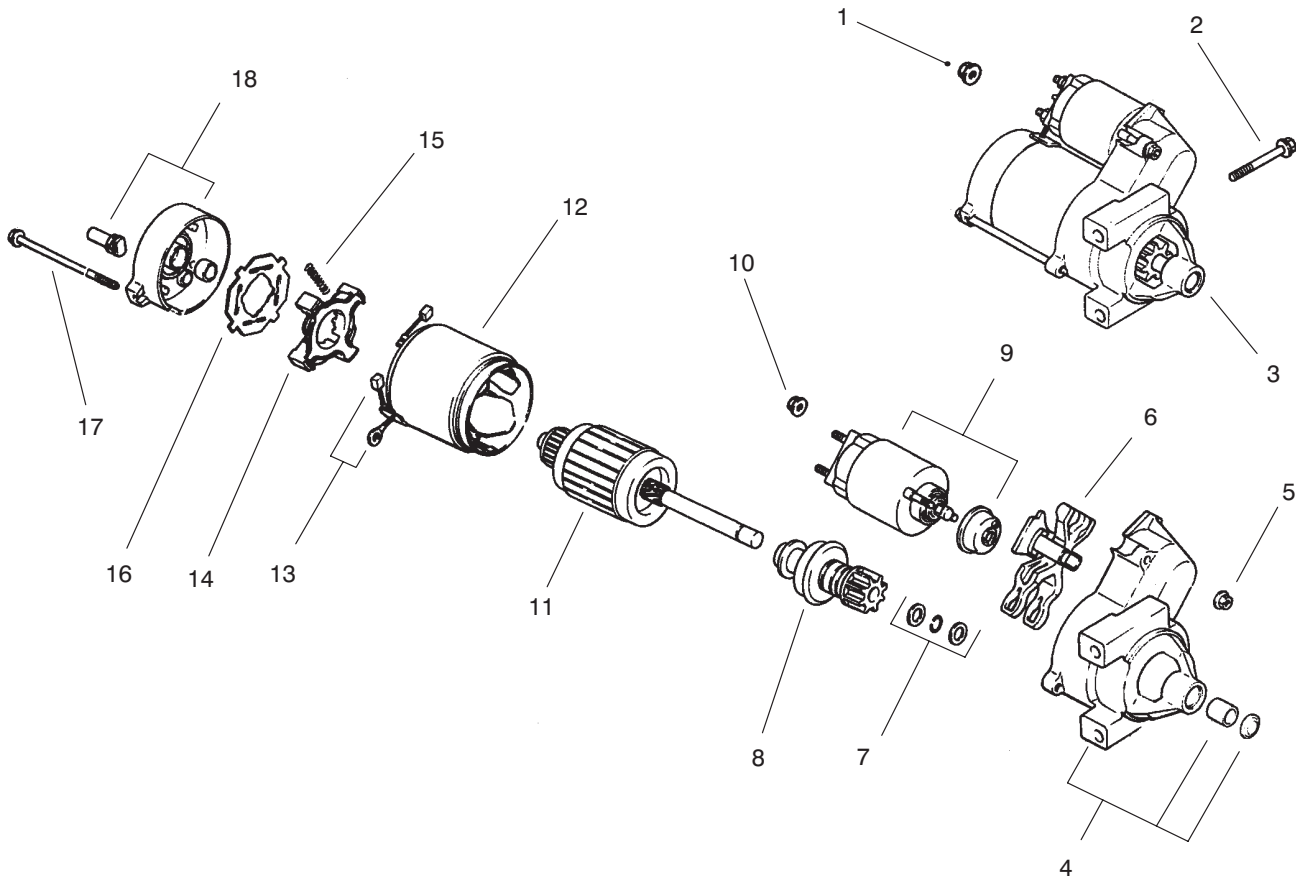
Obtain Parts From Kohler



Group 6 – Blower Housing & Baffles (CH22S 76513 Kohler)

Ref. No.	Part No.	Qty.	Description	Ref. No.	Part No.	Qty.	Description
1	24 027 83	1	Housing, blower (Includes 2-5)				
2	24 100 02	2	Nut, plastic				
3	24 755 90	1	Kit, access hole plug				
4	25 086 43	1	Screw, set				
5	24 100 01	2	Nut, plastic				
6	M-0551016	1	Screw, hex. flange				
7	M-0545016	5	Screw, hex. flange				
8	M-0567020	2	Screw, hex. flange				
9	24 146 02	1	Plate, backing – #2 side				
10	M-0645016	6	Screw, hex. flange				
11	24 063 20	1	Baffle, cyl. barrel-#2 side				
12	24 063 17	1	Baffle, valley – #2 side				
13	M-0545010	2	Screw, hex. flange				
14	24 063 24	1	Baffle, valley – #1 side				
15	24 063 30	1	Baffle, cyl. barrel- #1 side				
16	24 146 08	1	Plate, backing – #1 side				
	24 113 62	1	Decal, HP				

Obtain Parts From Kohler

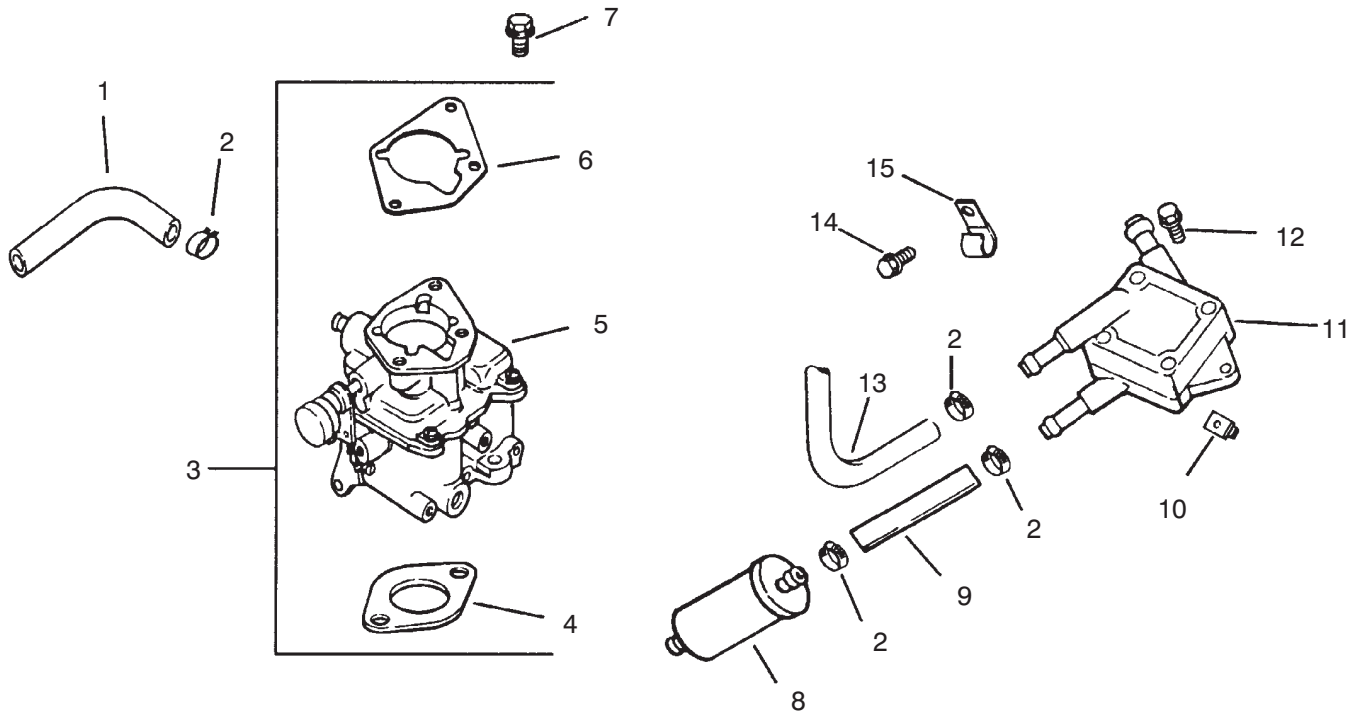


Group 7 – Starting System (CH22S 76513 Kohler)

Ref. No.	Part No.	Qty.	Description
1	M-0841080	1	Nut, hex flange
2	M-0839080	2	Screw, hex. flange
3	24 098 01	1	Starter, solenoid shift assembly (Incl. 4-18)
4	24 081 04	1	Drive, end cap
5	52 100 10	2	Nut, starter
6	12 090 10	1	Lever, starter drive
7	24 755 84	1	Kit, starter repair
8	12 239 01	1	Drive, pinion
9	52 435 02	1	Solenoid
10	52 100 09	1	Nut, starter
11	12 170 04	1	Armature, starter
12	12 471 01	1	Frame
13	52 221 01	1	Kit, brush & spring (Includes 15)
14	52 323 03	1	Holder, brush
15	52 089 09	4	Spring, brush
16	52 168 01	1	Insulator
17	52 211 05	2	Bolt, thru
18	24 301 01	1	Commutator, end cap

Ref. No.	Part No.	Qty.	Description

Obtain Parts From Kohler

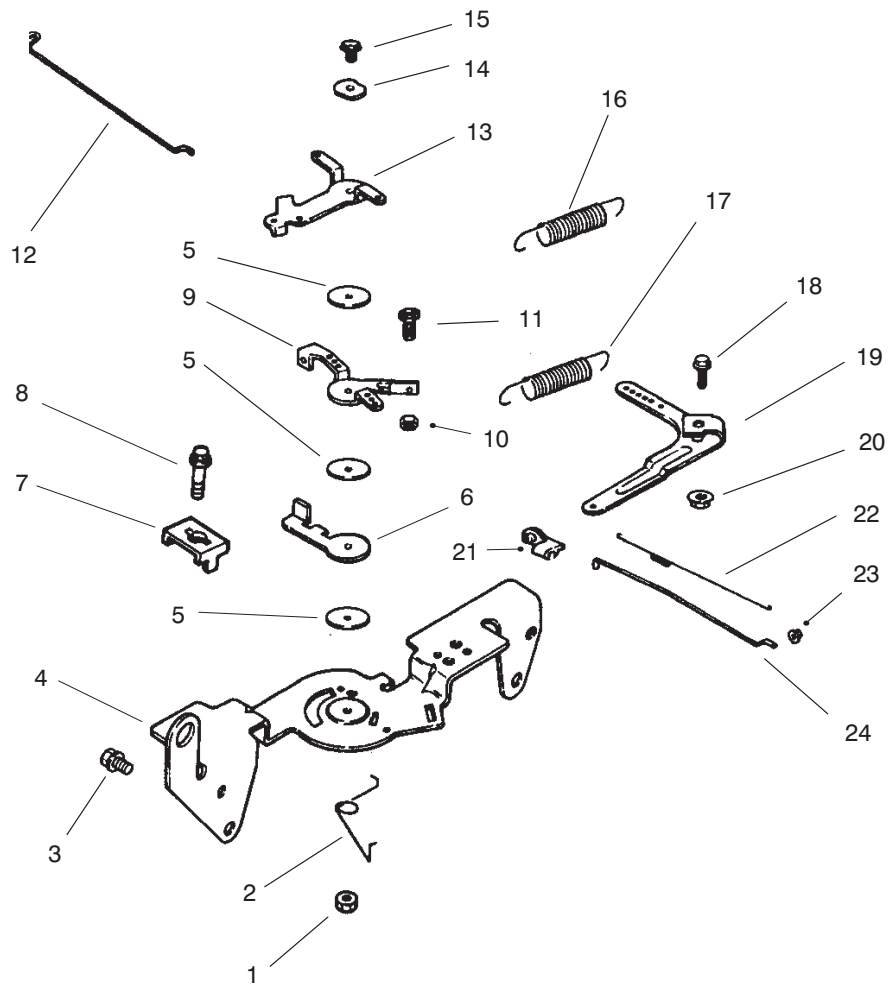


Group 8 – Fuel System (CH22S 76513 Kohler)

Ref. No.	Part No.	Qty.	Description
1	25 353 10	2	Line, fuel – 9"
2	X-426-9	6	Clamp, hose
3	24 853 34	1	Kit, carburetor w/gasket (Includes 4-6)
4	24 041 06	1	Gasket, air cleaner base
*5	24 053 34	1	Carburetor assembly
6	24 041 17	1	Gasket, carburetor
7	M-0651030	2	Screw, hex. flange
8	24 050 02	1	Filter, fuel
9	25 353 15	1	Line, fuel
10	24 100 01	2	Nut, plastic
11	24 393 04	1	Pump, fuel-pulse
12	24 086 12	2	Screw, hex
13	24 353 02	1	Line, fuel 15-1/2"
14	M-0650012	1	Screw, hex flange
15	47 154 01	1	Clip, cable

Ref. No.	Part No.	Qty.	Description

Obtain Parts From Kohler
 *For Information Only – Not Available Separately

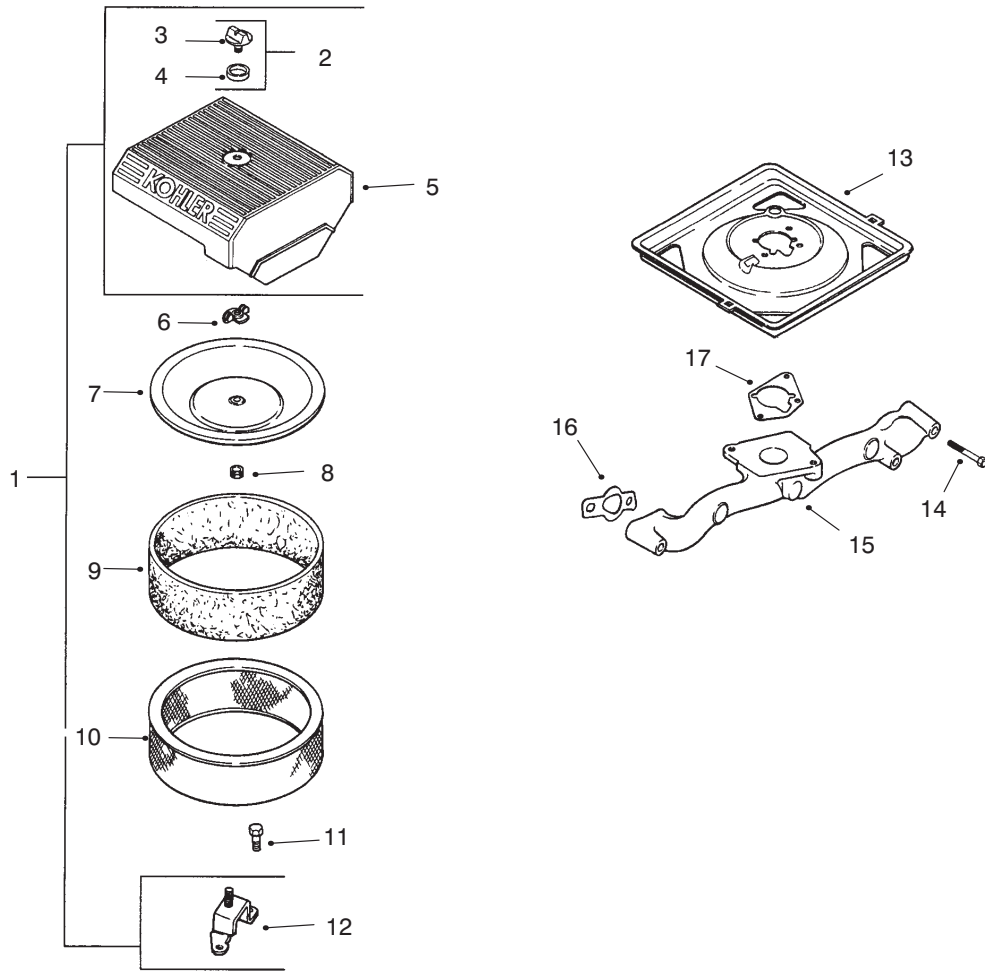


Group 9 – Engine Controls (CH22S 76513 Kohler)

Ref. No.	Part No.	Qty.	Description
1	M-0547050	1	Nut, hex. lock
2	24 089 03	1	Spring, choke return
3	M-0645016	4	Screw, hex. flange
4	24 126 56	1	Bracket, control
5	24 468 01	3	Washer, plain
6	24 090 07	1	Lever, throttle actuator
7	12 237 01	2	Clamp, cable
8	M-0545016	2	Screw, hex. flange
9	24 090 03	1	Lever, throttle control
10	M-0446030	1	Nut, hex
11	M-0401030	1	Screw, hex. cap
12	24 079 02	1	Linkage, choke
13	24 090 05	1	Lever, choke
14	41 468 03	1	Washer, spring
15	M-0545020	1	Screw, hex. flange
16	24 089 38	1	Spring, throttle limiter
17	24 089 15	1	Spring, governor
18	SM-0642025	1	Screw, hex. flange
19	24 090 14	1	Lever, governor
20	M-0641060	1	Nut, hex. flange
21	25 158 11	1	Bushing, linkage retaining
22	24 089 01	1	Spring, linkage
23	25 158 08	1	Bushing, linkage retaining

Ref. No.	Part No.	Qty.	Description
24	24 079 01	1	Linkage, throttle

Obtain Parts From Kohler

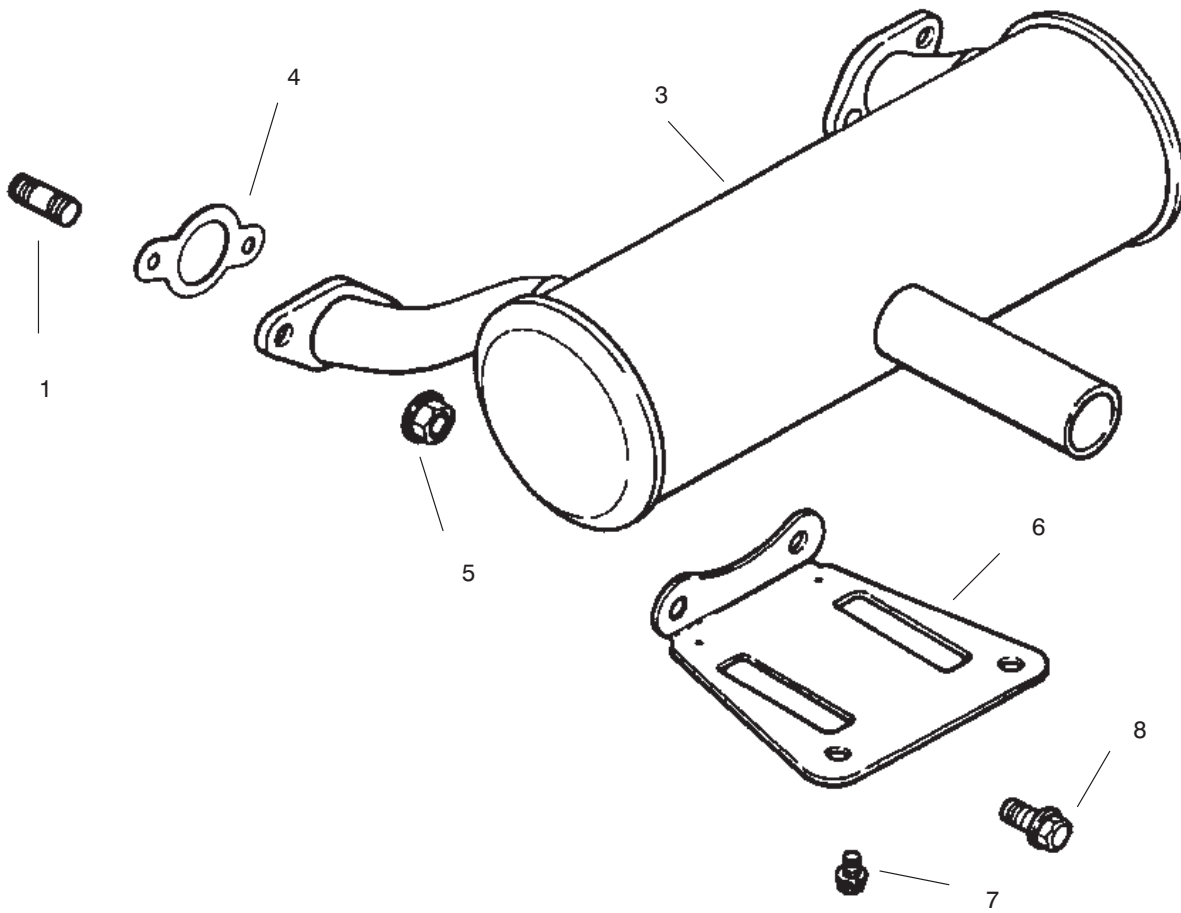


Group 10 – Air Intake/Filtration (CH22S 76513 Kohler)

Ref. No.	Part No.	Qty.	Description
1	24 753 05	1	Kit, air cleaner (Includes 2-5, 12)
2	54 755 01	1	Kit, air cleaner knob (Includes 3,4)
3	25 341 03	1	Knob, cover
4	24 153 15	1	O-Ring
5	24 096 24	1	Cover, air cleaner
6	12 100 01	2	Wing Nut
7	24 096 01	1	Cover, inner air cleaner
8	230046	1	Seal, inner air cleaner
9	24 083 05	1	Precleaner, element
10	24 083 03	1	Element, air cleaner
11	M-0645016	3	Screw, hex flange
12	24 126 43	1	Bracket, air cleaner base
13	24 094 11	1	Base, air cleaner
14	M-0651055	4	Screw, hex flange
15	24 164 14	1	Manifold, intake
16	24 041 01	2	Gasket, intake manifold
17	24 041 06	1	Gasket, air cleaner base

Ref. No.	Part No.	Qty.	Description

Obtain Parts From Kohler



Group 11 – Exhaust (CH22S 76513 Kohler)

Ref. No.	Part No.	Qty.	Description
1	25 072 04	4	Stud
3	24 068 17	1	Muffler Canister – Center Outlet
4	24 041 02	2	Gasket, exhaust
5	M-0841080	4	Nut, hex flange
6	24 126 12	1	Bracket, muffler
7	M-0650012	4	Screw, hex. flange
8	M-0839020	2	Screw

Ref. No.	Part No.	Qty.	Description

Obtain Parts From Kohler

Maintenance Record

Date								

Maintenance Record

Date								

