



**Count on it.**

**Parts Catalog**

**Reelmaster® 3100-D Traction Unit**

Model No. 03170—Serial No. 314000144 and Up



# Ordering Replacement Parts

To order replacement parts, please supply the part number, the quantity, and the description of each part desired.

## Understanding Reference Numbers

Each identified part in an illustration has a reference number. The reference number for a part also appears in the parts list, along with other information about the part.

This catalog uses two special reference number formats, one to indicate parts in a service assembly and another to indicate the quantity of a given part in an illustration.

## Service Assembly Reference Numbers

Parts in service assemblies have reference numbers in the form a:b. The a represents the reference number of the entire service assembly and the b represents a sequential number unique to each part within the service assembly.

For example, a wheel assembly might be identified by reference number 6, the tire by 6:1, the valve by 6:2, and the wheel by 6:3. When you order the assembly identified by reference number 6, you receive all parts identified by reference numbers 6:1, 6:2, and 6:3. However, you may also order any part individually. Reference numbers of this type appear in illustration and in parts lists.

## Reference Numbers Indicating Quantity

In an illustration, if a reference number indicates more than one part, the reference number has the form nX y. The n represents the quantity of the part, the X is the multiplication symbol, and the y represents the reference number.

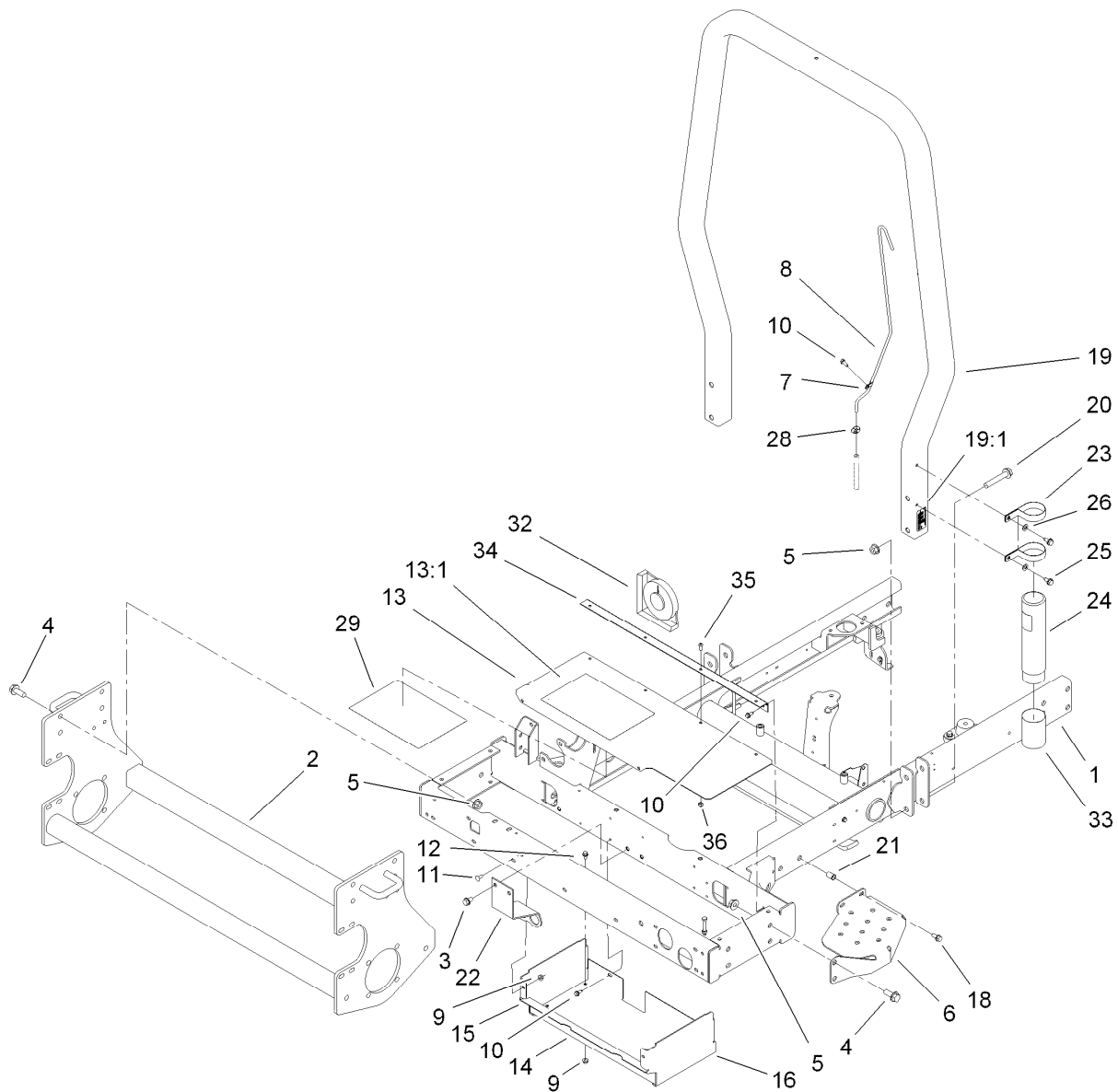
For example, in an illustration, the reference number 2X 37 means that two of the parts identified by reference number 37 are indicated.

# Contents

Frame and Platform Assembly . . . . .	5
Front Wheel and Brake Assembly . . . . .	6
Hydraulic Motor Assembly No. 110-8785 . . . . .	8
Hydraulic Motor Assembly No. 110-8786 . . . . .	9
Brake Assembly No. 104-7705 . . . . .	10
Steering Column Assembly . . . . .	11
Steering Valve Assembly No. 104-5180 . . . . .	12
Rear Fork and Tire Assembly . . . . .	13
Hydraulic Cylinder Assembly No. 94-8141 . . . . .	15
Hydraulic Motor Assembly No. 95-8694 . . . . .	16
Control Panel Assembly . . . . .	17
Front Platform Assembly . . . . .	18
Traction Pedal Assembly . . . . .	19
Rear Lift Arm Assembly . . . . .	20
Hydraulic Cylinder Assembly No. 112-9916 . . . . .	22
Neutral Arm Assembly . . . . .	23
Engine Assembly . . . . .	24
Air Cleaner and Muffler Assembly . . . . .	25
Air Cleaner Assembly No. 93-2190 . . . . .	26
Radiator Assembly . . . . .	27
Hood Assembly . . . . .	28
Fuel System Assembly . . . . .	29
Manifold Block Assembly . . . . .	31
Hydraulic Manifold Assembly No. 108-9037 . . . . .	32
Hydraulic Tank Assembly . . . . .	33
Hydrostat Assembly . . . . .	34
Hydraulic Pump Assembly No. 104-4890 . . . . .	36
Gear Pump Assembly No. 95-8601 . . . . .	38
Carrier Assembly . . . . .	39
Reel Motor Assembly . . . . .	40
Gear Motor Assembly No. 115-8250 . . . . .	41
Battery Assembly . . . . .	42
Parking Brake Assembly . . . . .	43
Control Valve Assembly . . . . .	44
Single Spool Control Valve Assembly No. 95-8689 . . . . .	45
Seat Assembly . . . . .	46
Crankcase Assembly . . . . .	47
Oil Pan and Dipstick Assembly . . . . .	48
Cylinder Head Assembly . . . . .	49
Gear Case and Oil Filter Cartridge Assembly . . . . .	50
Cylinder Head Cover Assembly . . . . .	51
Main Bearing Case Assembly . . . . .	52
Camshaft and Idle Gear Shaft Assembly . . . . .	53
Piston and Crankshaft Assembly . . . . .	54
Fuel Camshaft and Governor Shaft Assembly . . . . .	55
Idle Apparatus Assembly . . . . .	56
Stop Solenoid and Fuel Pump Cover Assembly . . . . .	57
Injection Pump Assembly . . . . .	58
Governor Assembly . . . . .	59
Speed Control Plate Assembly . . . . .	60
Nozzle Holder and Glow Plug Assembly . . . . .	61
Nozzle Holder Assembly . . . . .	62
Alternator, Pulley and Fan Assembly . . . . .	63
Alternator Components Assembly . . . . .	64

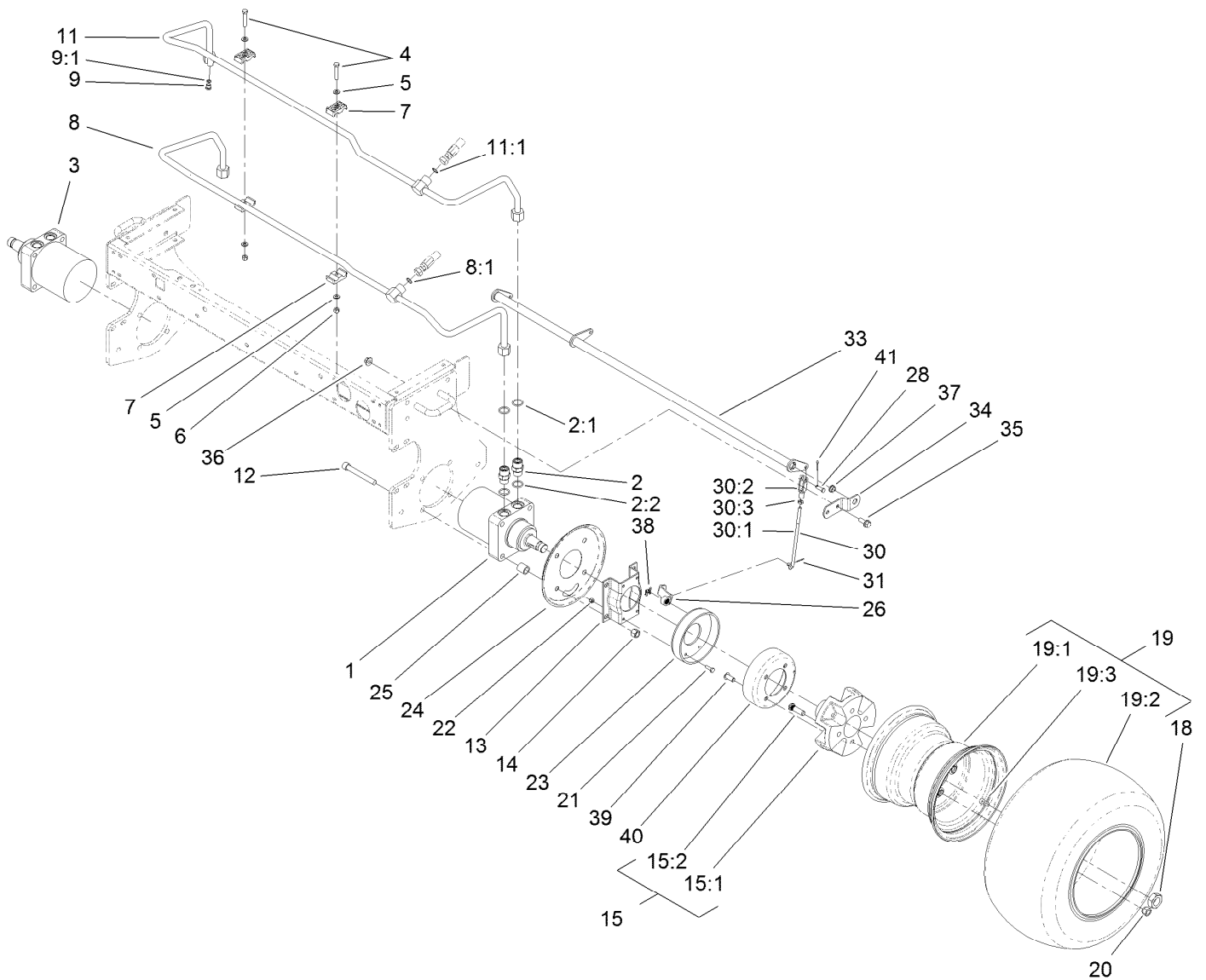
# Contents (continued)

Starter and Flywheel Assembly .....	65
Starter Component Assembly .....	66
Water Flange and Thermostat Assembly .....	67
Water Pump and Water Pipe Assembly .....	68
Valve and Rocker Arm Assembly .....	69
Inlet and Exhaust Manifold Assembly .....	70
Miscellaneous Engine Parts .....	71
Upper Engine Gasket Kit .....	72
Lower Engine Gasket Kit .....	73
Attachments and Accessories .....	74



## Frame and Platform Assembly

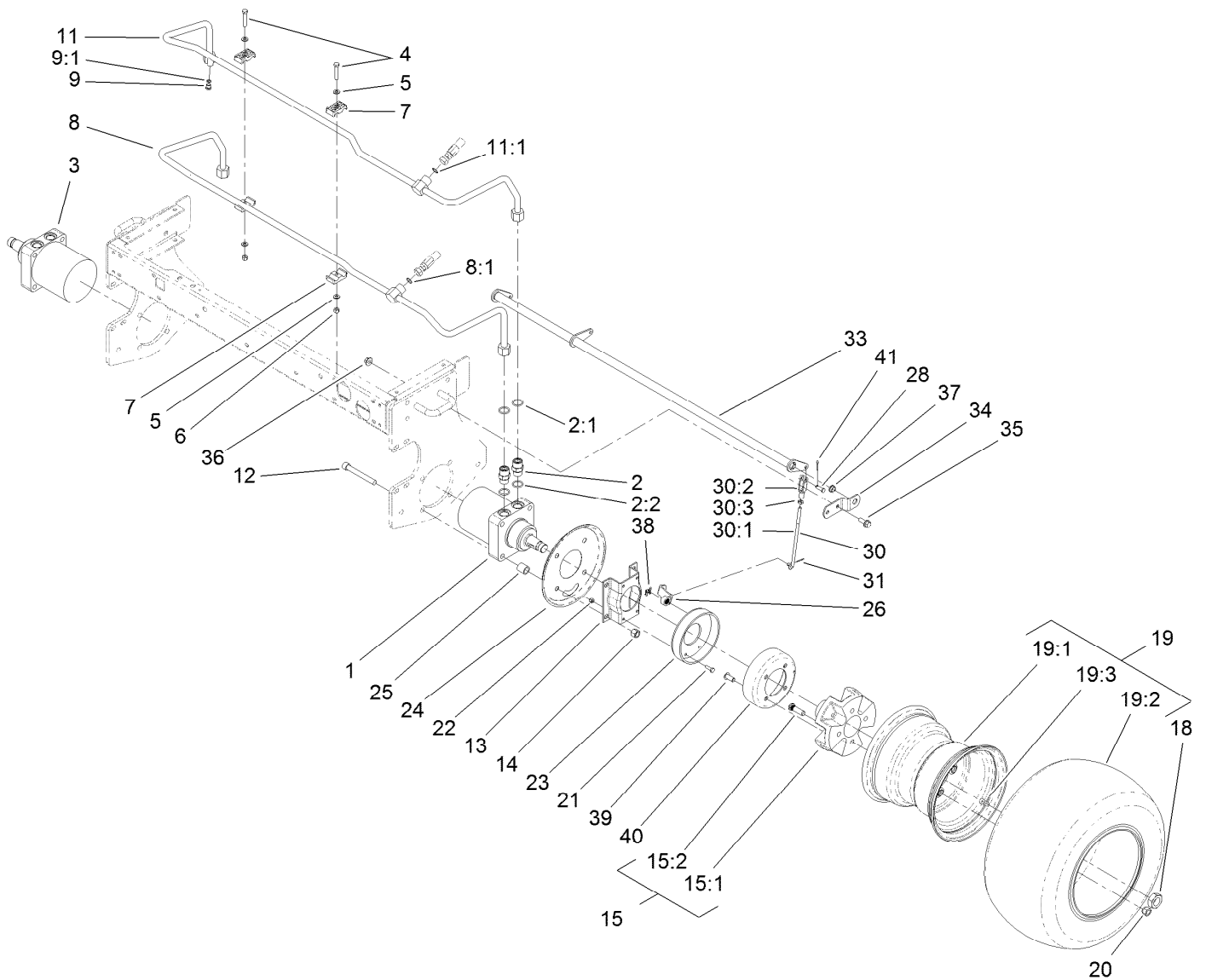
<i>Ref.</i>	<i>Part Number</i>	<i>Qty.</i>	<i>Description</i>	<i>Ref.</i>	<i>Part Number</i>	<i>Qty.</i>	<i>Description</i>
1	95-8590-03	1	Frame ASM	18	3234-5	2	Screw-HHF
2	95-8568-03	1	Frame-Lower	19	107-7833	1	ROPS ASM
3	32144-15	2	Screw-HHFTF	19:1	107-7831	1	Decal-ROPS
4	3234-38	8	Screw-HHF	20	3234-40	4	Screw-HF
5	32128-49	12	Nut-HHF	21	32148-8	2	Nut-Clinch
6	99-3375-03	1	Step	22	115-3417-03	1	Bracket-Bulkhead, Scissor
7	2412-72	3	Clip-Closed, Insulated	23	104-7050	1	Tube-Manual
8	95-8615	1	Tube-Breather	24	2412-133	2	Clamp-R
9	32128-33	6	Nut-HF	25	32144-70	2	Screw-HWHTF
10	32144-10	11	Screw-HWH	26	3256-23	2	Washer-Plain
11	3229-11	2	Screw-CARR	28	2412-108	1	Clamp-Worm
12	3234-13	4	Screw-HHF	29	117-5104	1	Decal-Service
13	119-2029	1	Toolbox Cover ASM	32	99-3503	1	Indicator-Angle
13:1	99-3496	1	Decal-Danger	33	104-7048	1	Cap-Housing
13:1	104-5181	1	Decal-Danger, CE	34	119-2034	1	Hinge-Toolbox
14	99-3430-03	1	Bottom-Toolbox	35	119-6906	4	Screw-HSBH
15	99-3431-03	1	End-Toolbox, RH	36	3296-42	4	Nut-Lock, NI
16	99-3432-03	1	End-Toolbox, LH				



## Front Wheel and Brake Assembly

Ref.	Part Number	Qty.	Description	Ref.	Part Number	Qty.	Description
1	110-8785	1	HYD Motor ASM (CCW)	15		2	Wheel Hub / Stud ASM ●
2	340-7	4	Fitting-Straight	15:1	104-0462	1	Hub-Wheel, Spacer
2:1	237-65	1	O-Ring	15:2	10-6830	4	Stud-Type, Drive
2:2	237-80	1	O-Ring	18	26-3790	2	Nut-Lock
3	110-8786	1	HYD Motor ASM (CW)	19		2	Tire And Rim ASM ●
4	322-9	2	Screw-HH	19:1	121-3548	1	Rim
5	3256-23	4	Washer-Plain	19:2	117-5125	1	Tire
6	3296-29	2	Nut-Lock, NI	19:3	232-27	1	Stem-Valve
7	56-7971	4	Clamp-Tube	20	242-50	8	Nut-Lug
8	95-8783	1	Tube ASM	21	321-5	8	Screw-HH
8:1	237-65	1	O-Ring	22	3296-42	8	Nut-Lock, NI
9	353-990	1	Plug ASM	23	104-7705	2	Brake ASM
9:1	237-78	1	O-Ring	24	104-0485-03	2	Shield-Wheel
11	95-8784	1	Tube ASM	25	119-8238	8	Spacer-Deck Pulley
11:1	237-65	1	O-Ring	26	114-2726	2	Lever-Brake
12	3274-99	8	Screw-HSH	28	283-1	2	Pin-Clevis
13	84-2000-03	2	Bracket-Brake	30	115-6672	2	Brake Lever ASM
14	3296-23	8	Nut-Lock, NI	30:1	104-4627	1	Rod-Adjusting

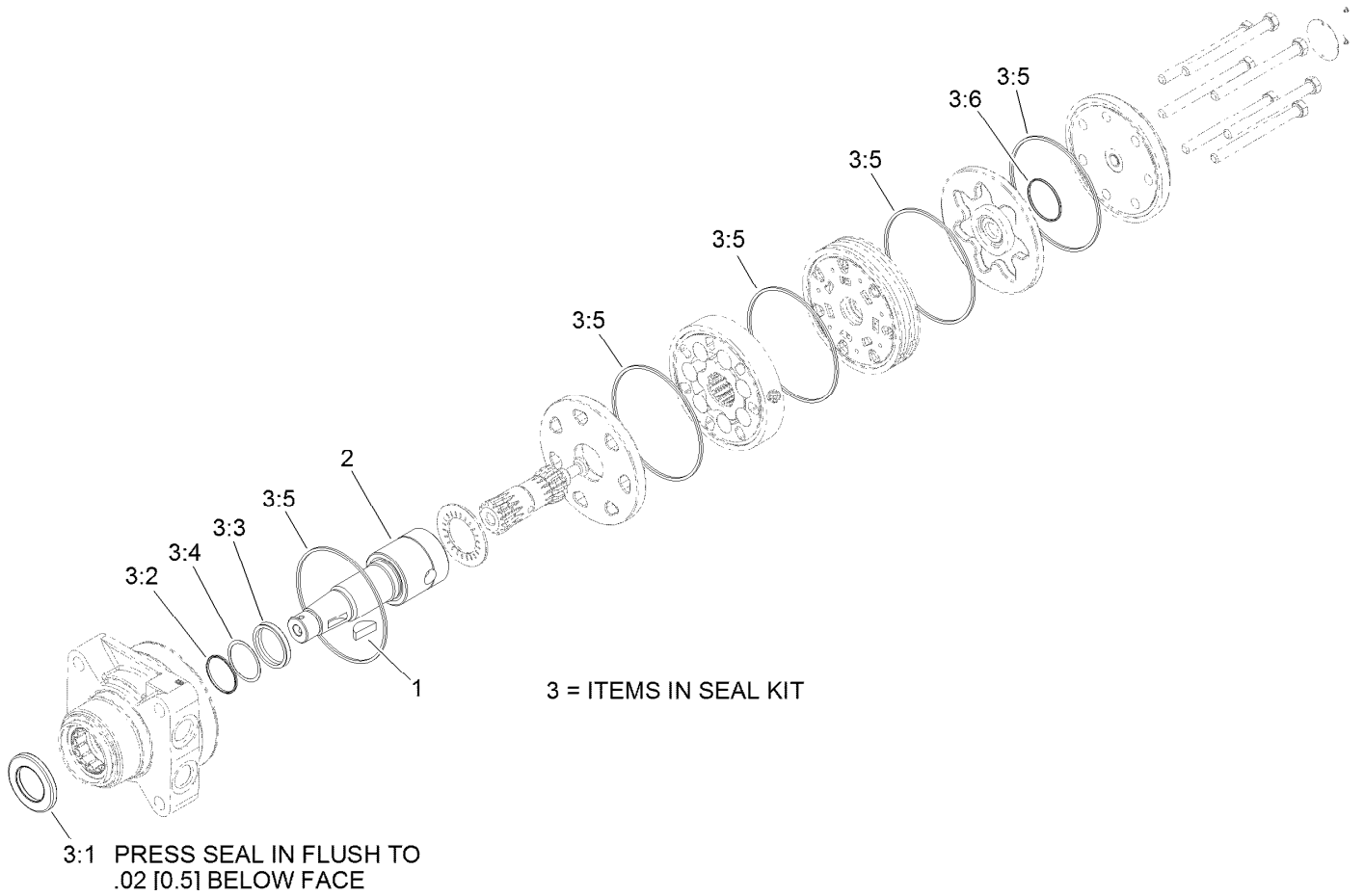
● Not serviced separately



## Front Wheel and Brake Assembly (continued)

<i>Ref.</i>	<i>Part Number</i>	<i>Qty.</i>	<i>Description</i>	<i>Ref.</i>	<i>Part Number</i>	<i>Qty.</i>	<i>Description</i>
30:2	1-303105	1	Yoke-Adjustable	36	32128-43	4	Nut-Flange
30:3	3220-2	1	Nut-Jam	37	256-156	2	Bushing-Flange
31	3272-6	2	Pin-Cotter	38	104-7706	2	E-Ring, Bowed
33	104-4625-03	1	Shaft-Pivot, Brake	39	3274-105	8	Screw-HSBH
34	95-8683	2	Bracket-Pivot, Brake	40	104-4809	2	Drum-Brake
35	3234-11	4	Screw-HHF	41	3272-10	2	Pin-Cotter

● Not serviced separately

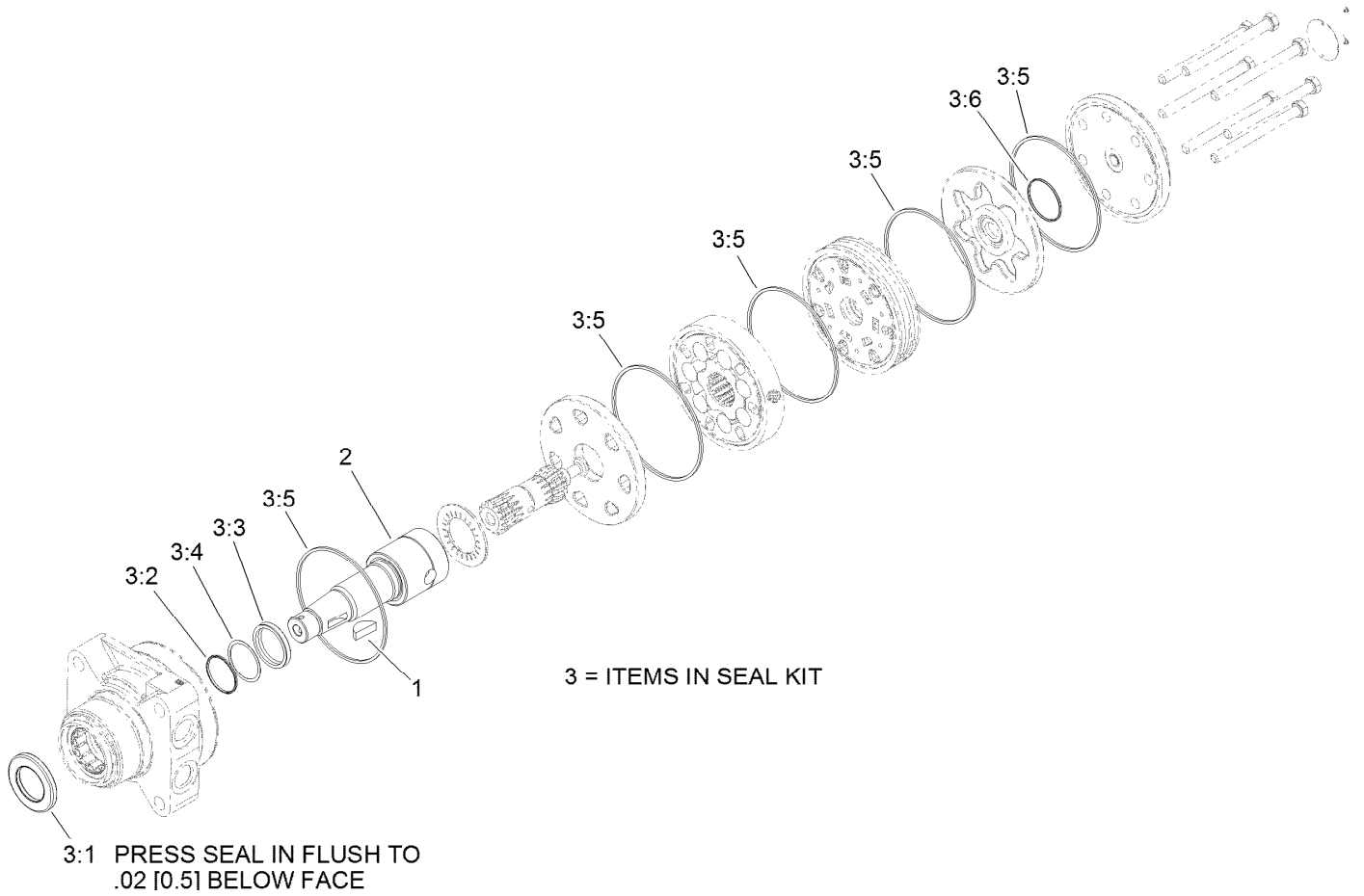


## Hydraulic Motor Assembly No. 110-8785

Ref.	Part Number	Qty.	Description
1	3257-42	1	Key-Woodruff
2	99-3090	1	Shaft-Coupling
3	94-8178	1	Seal Kit
3:1		1	Seal-Dirt And Water ●
3:2		1	Backup-Ring ●
3:3		1	Seal-Shaft ●
3:4		1	Washer-Backup ●
3:5		5	Seal-Square, Ring (Inner) ●
3:6		1	Seal-Commutator ●

● Not serviced separately

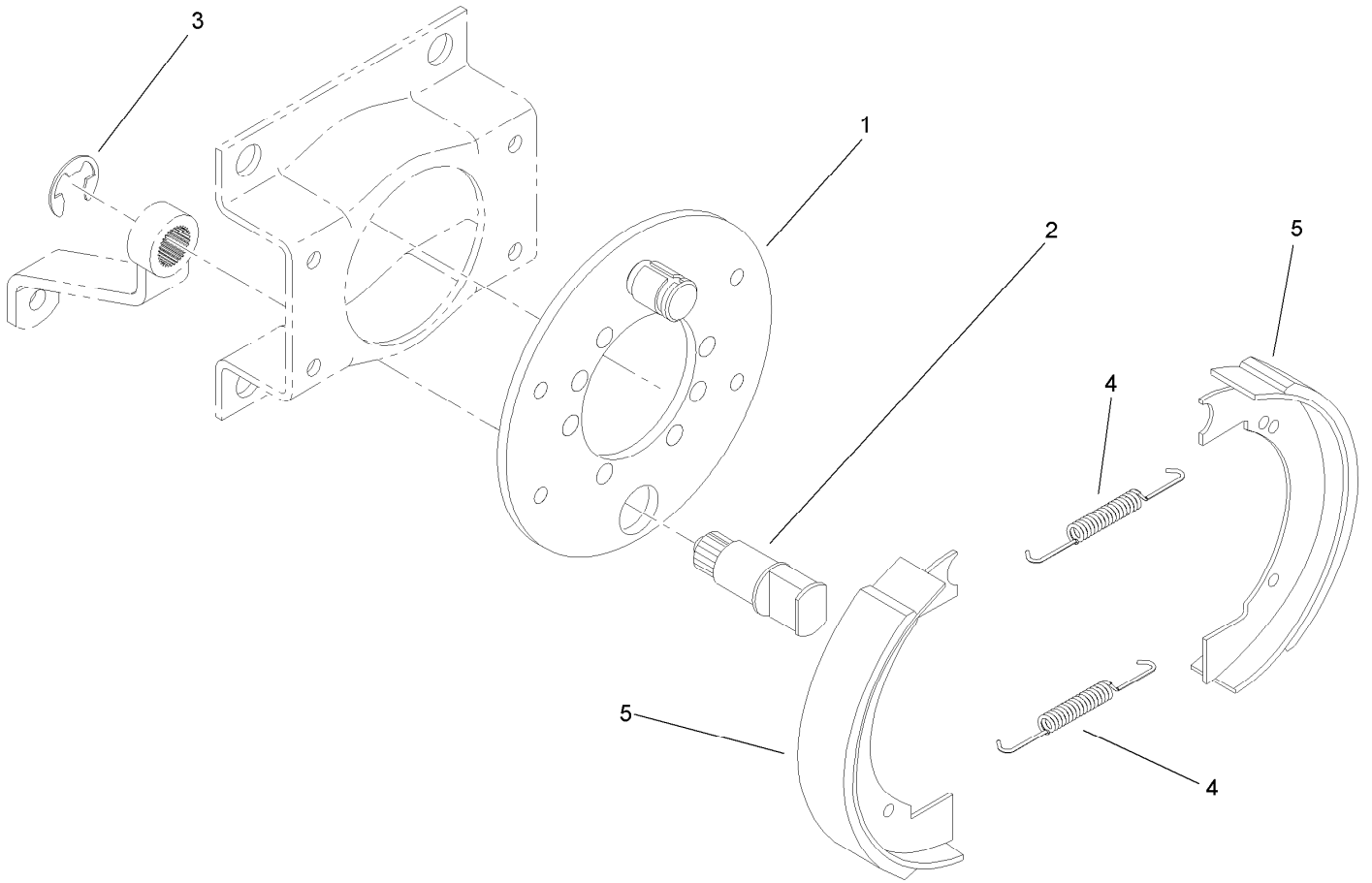




## Hydraulic Motor Assembly No. 110-8786

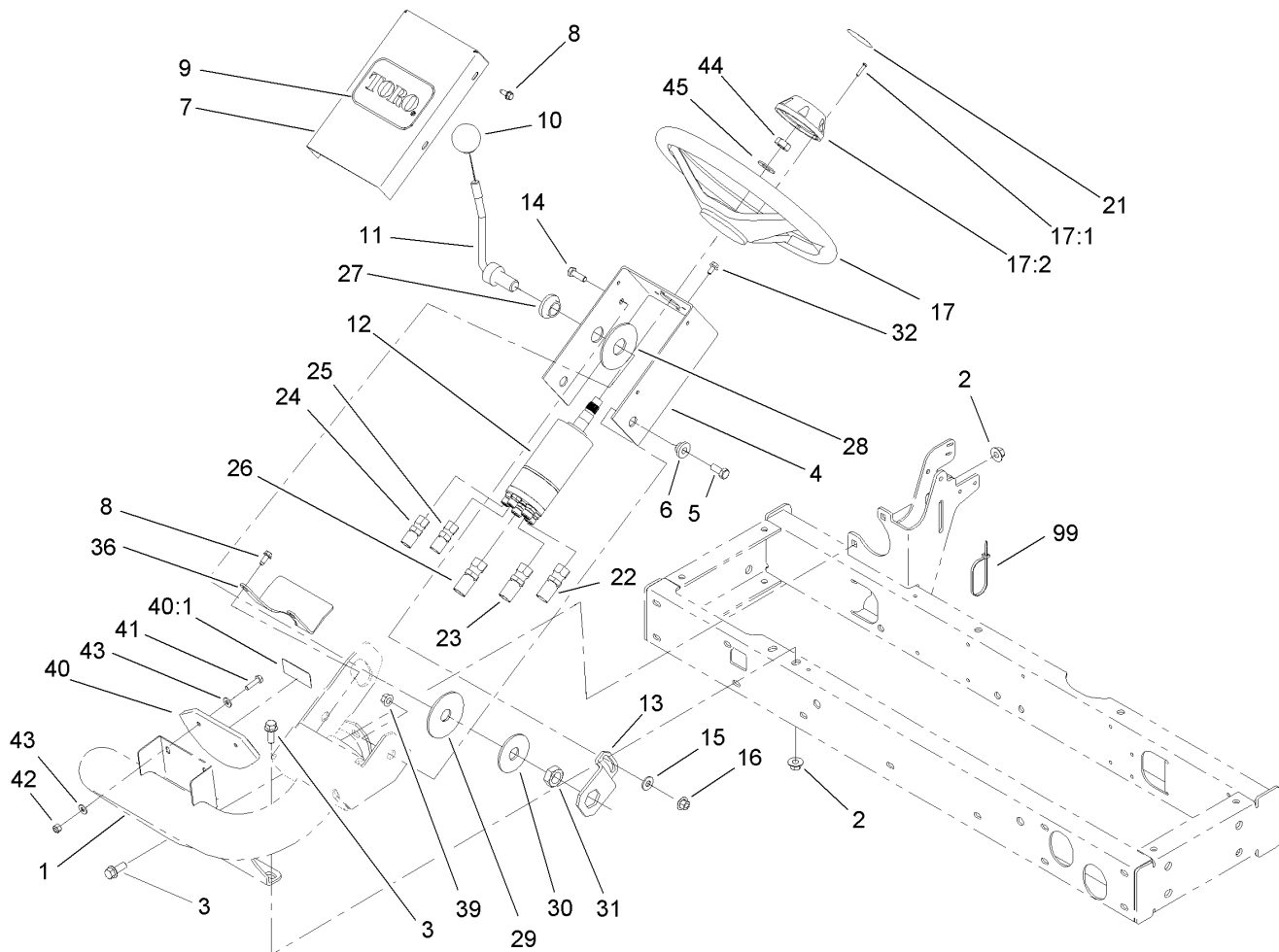
Ref.	Part Number	Qty.	Description
1	3257-42	1	Key-Woodruff
2	99-3090	1	Shaft-Coupling
3	94-8178	1	Seal Kit
3:1		1	Seal-Dirt And Water ●
3:2		1	Backup-Ring ●
3:3		1	Seal-Shaft ●
3:4		1	Washer-Backup ●
3:5		5	Seal-Square, Ring (Inner) ●
3:6		1	Seal-Commutator ●

● Not serviced separately



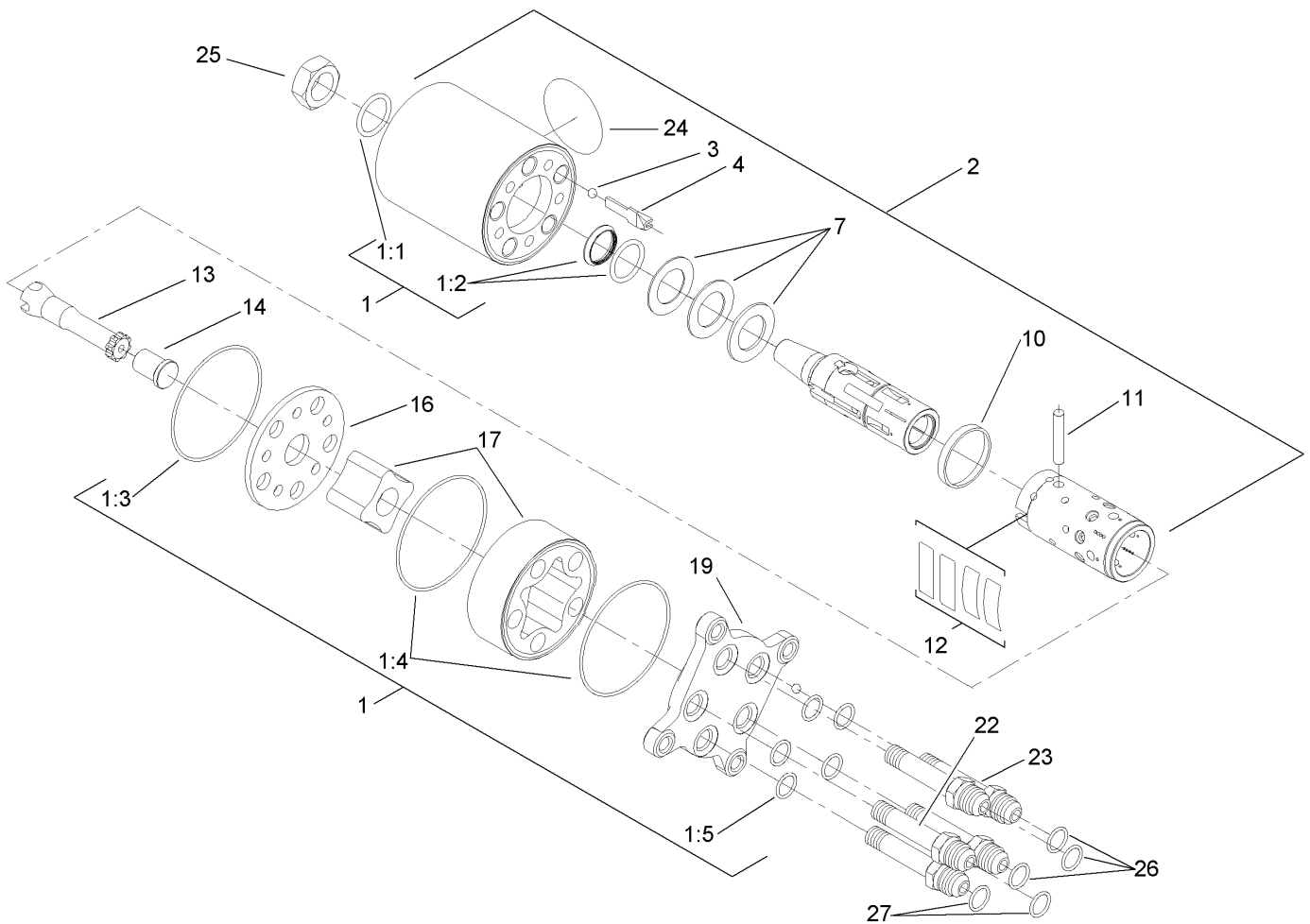
## Brake Assembly No. 104-7705

<i>Ref.</i>	<i>Part Number</i>	<i>Qty.</i>	<i>Description</i>
1	70-9870	1	Plate-Backing
2	104-7707	1	Shaft-Cam, Brake
3	104-7706	1	E-Ring, Bowed
4	70-9880	2	Spring-Return
5	70-9840	2	Shoe-Brake



## Steering Column Assembly

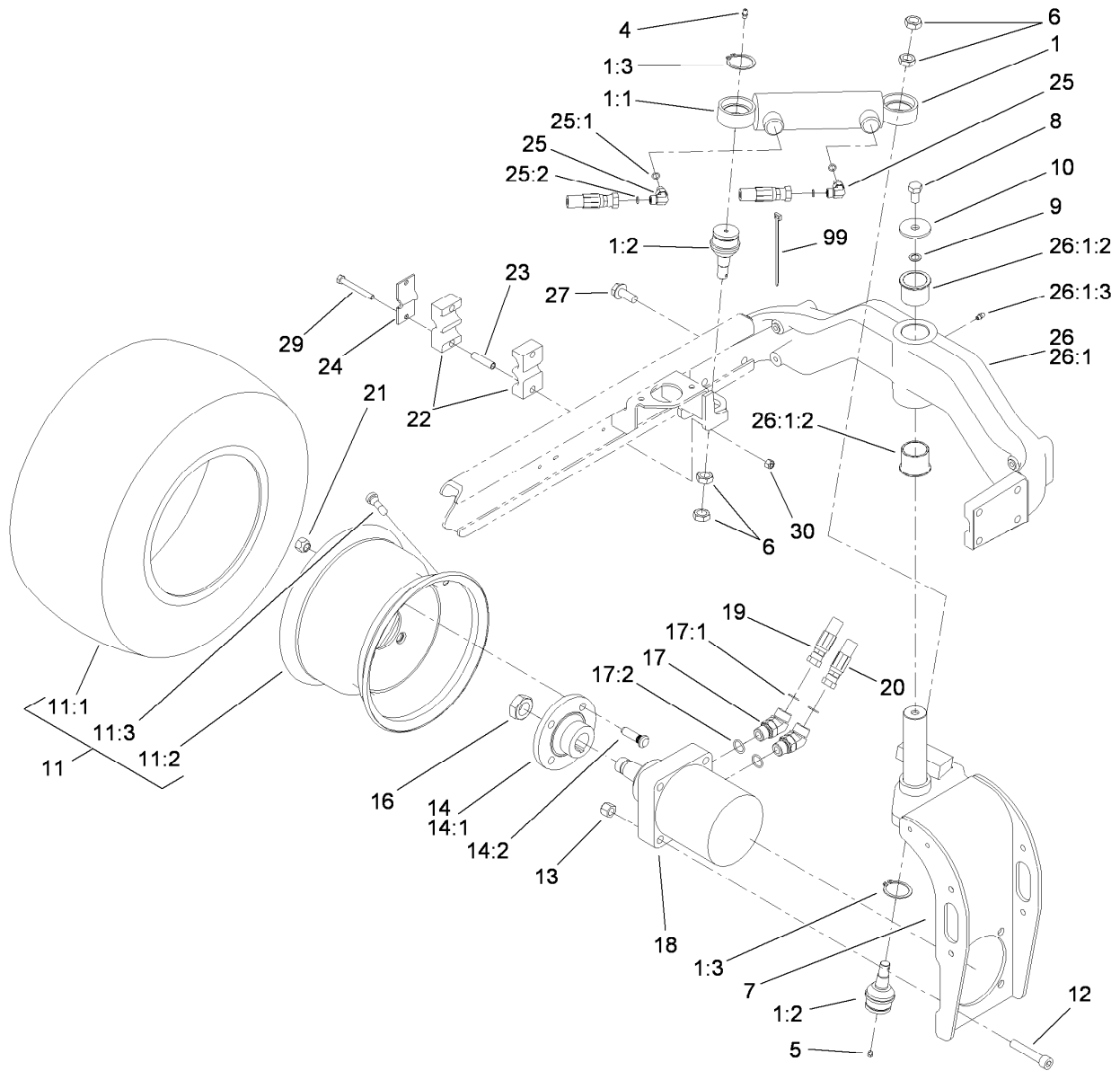
<i>Ref.</i>	<i>Part Number</i>	<i>Qty.</i>	<i>Description</i>	<i>Ref.</i>	<i>Part Number</i>	<i>Qty.</i>	<i>Description</i>
1	105-8536-01	1	Arm-Steering	23	95-8843	1	Hose-HYD
2	32128-43	4	Nut-Flange	24	95-8844	1	Hose ASM
3	3234-11	4	Screw-HHF	25	95-8845	1	Hose ASM
4	104-5185-01	1	Bracket-Valve, Steering	26	95-8846	1	Hose-HYD
5	323-5	2	Screw-HH	27	99-3502	1	Boss
6	93-5988	2	Hub-Pivot	28	31-0390	1	Disc-Friction
7	95-8794-01	1	Cover-Valve, Steering	29	82-9010	1	Disc-Friction
8	32144-10	5	Screw-HWH	30	80-2930	1	Washer-Flat
9	67-1300	1	Decal	31	3218-7	1	Nut-Jam
10	233-48	1	Knob	32	33103-012	4	Screw-HHF
11	95-8798-03	1	Lever-Steering	36	99-3405-01	1	Shield-Steering
12	104-5180	1	Steering Valve ASM	39	32128-21	2	Nut-HF
13	80-2880	1	Bracket-Tilt	40	100-4929	1	Slope Indicator ASM
14	322-5	1	Screw-HH	40:1	107-7801	1	Decal-Danger, 15 Degree
15	3256-3	1	Washer-Flat	40:1	100-4837	1	Decal-Danger
16	32128-44	1	Nut	41	321-7	2	Screw-HH
17	75-0560	1	Steering Wheel ASM	42	3296-42	2	Nut-Lock, NI
17:1	32144-21	1	Screw	43	3256-22	4	Washer-Flat
17:2	68-5140	1	Cap-Wheel, Steering	44	3296-33	1	Nut-Lock, NI
21	68-5370	1	Decal	45	3256-27	1	Washer-Flat
22	95-8842	1	Hose-HYD	99	3290-378	2	Tie-Cable



## Steering Valve Assembly No. 104-5180

Ref.	Part Number	Qty.	Description
1	106-6716	1	Seal Kit
1:1		1	Ring-Seal, Dust ●
1:2		1	Seal-Shaft ●
1:3		1	O-Ring ●
1:4		2	O-Ring ●
1:5		5	O-Ring ●
2		1	Housing ●
3		1	Ball ●
4		1	Stop-Ball ●
7		1	Bearing ASM ●
10		1	Ring ●
11		1	Pin-Cross ●
12		1	Springs ●
13		1	Shaft ●
14		1	Spacer ●
16		1	Plate-Distributor ●
17		1	Gearwheel Set ●
19		1	Cover-End ●
22		1	Screw-Special ●
23		4	Screw-Special ●
24		1	Plate-Name ●
25	3296-33	1	Nut-Lock, NI
26	237-22	3	O-Ring
27	237-21	2	O-Ring

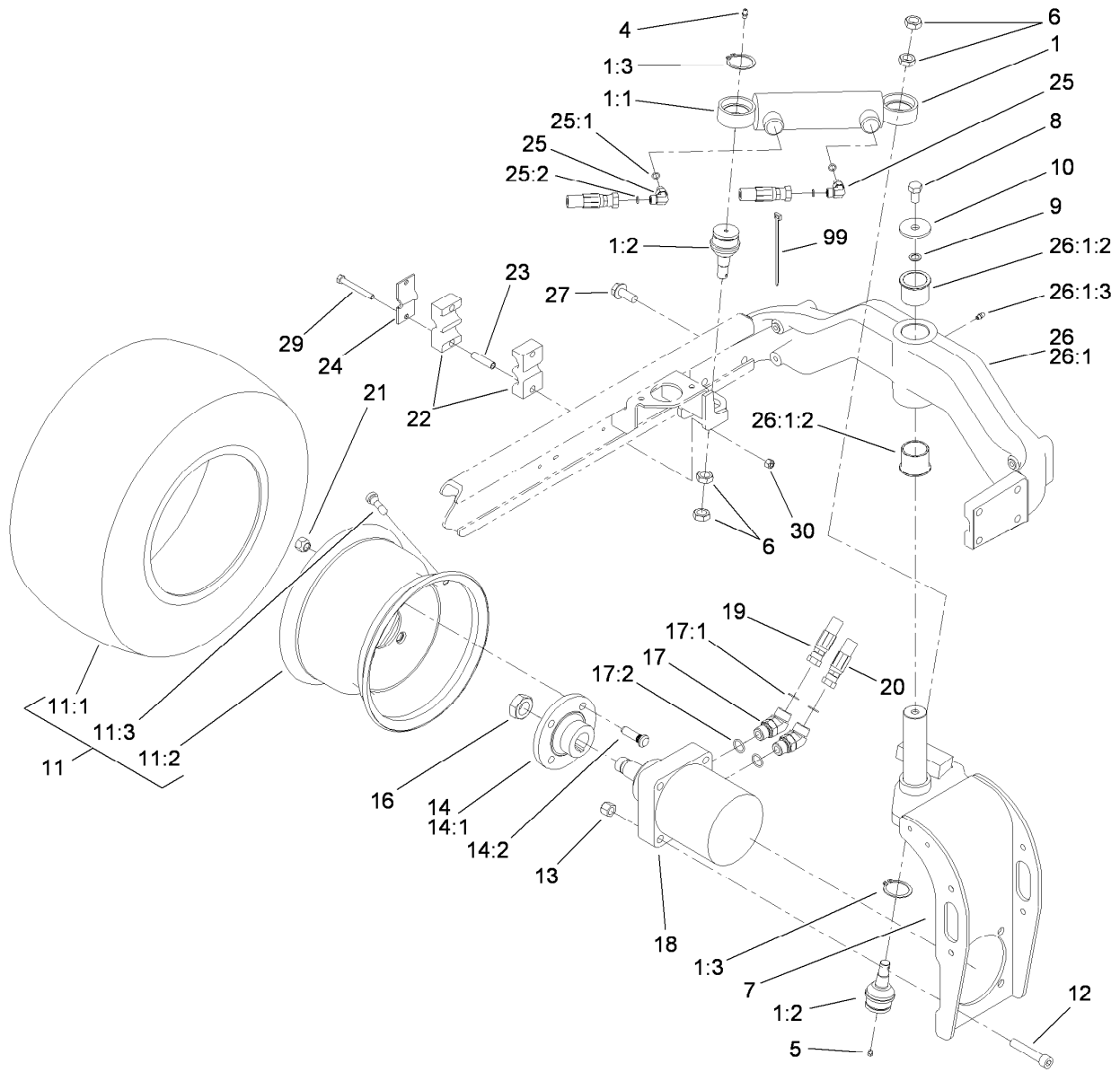
● Not serviced separately



## Rear Fork and Tire Assembly

Ref.	Part Number	Qty.	Description	Ref.	Part Number	Qty.	Description
1		1	Steering Cylinder / Balljoint ASM ●	14		1	Wheel Hub / Stud ASM ●
1:1	94-8141	1	HYD Cylinder ASM	14:1	10-6870-03	1	Hub-Wheel
1:2	106-6774	2	Joint-Ball	14:2	10-6830	4	Stud-Type, Drive
1:3	32151-104	2	Ring-Retaining, External	16	26-3790	1	Nut-Lock
4	302-5	1	Fitting-Grease	17	340-14	2	Fitting-HYD, 45 DEG
5	302-59	1	Plug-Threaded	17:1	237-65	1	O-Ring
6	3220-6	4	Nut-Jam	17:2	237-80	1	O-Ring
7	95-8905-01	1	Fork-Rear	18	95-8694	1	HYD Motor ASM
8	325-3	1	Screw-HH	19	105-1221	1	Hose ASM
9	3255-2	1	Washer-Lock, EXT	20	105-1222	1	Hose ASM
10	75-7730	1	Washer-Thrust	21	242-50	4	Nut-Lug
11		1	Wheel And Tire ASM ●	22	82-8170	2	Clamp
11:1	117-5129	1	Rim	23	93-7960	2	Spacer
11:2	115-1572	1	Tire	24	93-7961	1	Clamp-Drain, Case
11:3	232-27	1	Stem-Valve	25	340-132	2	Fitting-Elbow, 90 DEG
12	3274-93	4	Screw-HSH	25:1	237-78	1	O-Ring
13	3296-23	4	Nut-Lock, NI	25:2	237-21	1	O-Ring
				26	107-7828-03	1	Casting-Rear

● Not serviced separately

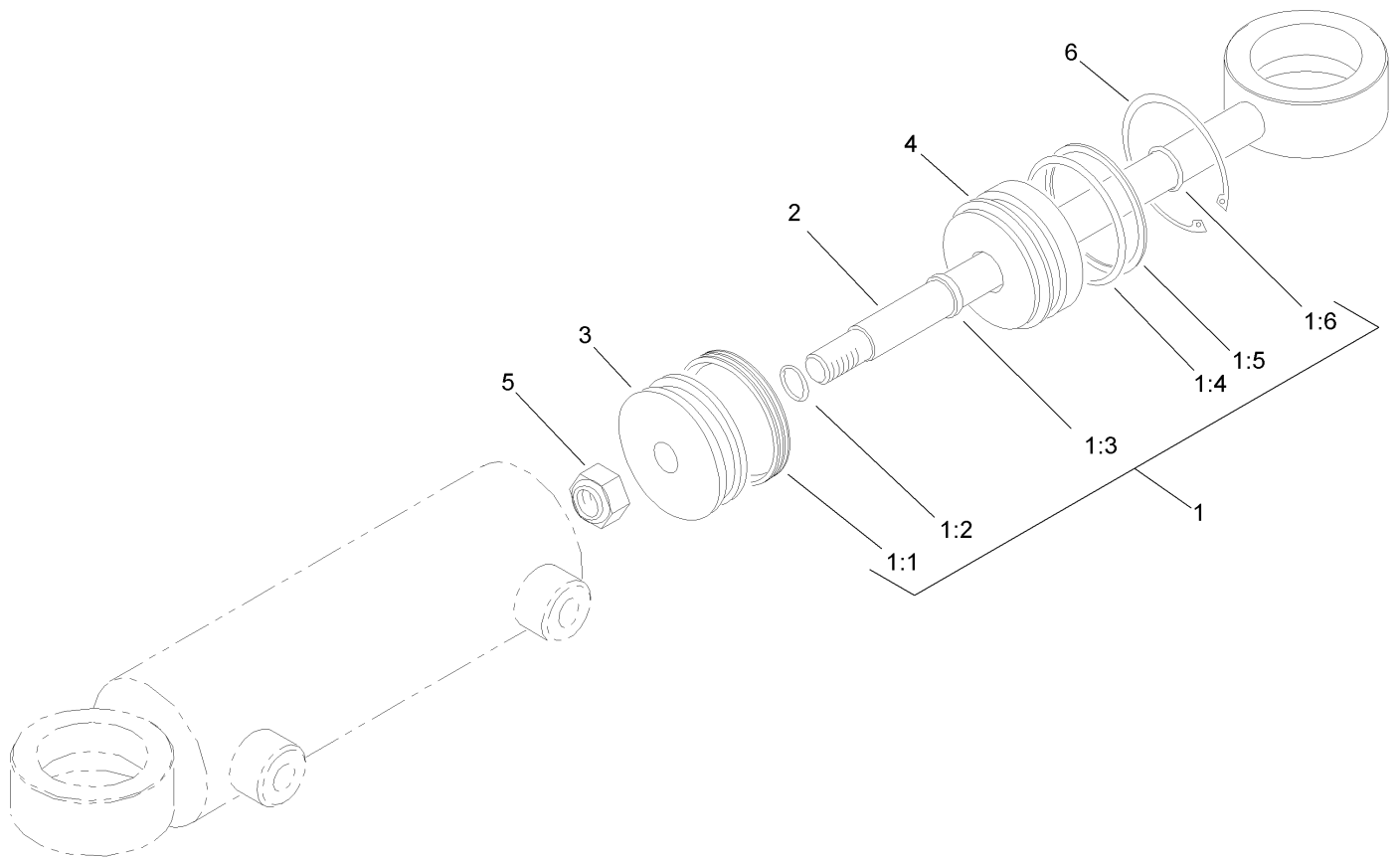


## Rear Fork and Tire Assembly (continued)

Ref.	Part Number	Qty.	Description
26:1		1	Rear Casting ASM ●
26:1:2	95-8805	2	Bushing
26:1:3	302-5	1	Fitting-Grease
27	3234-38	8	Screw-HHF

Ref.	Part Number	Qty.	Description
29	322-13	2	Screw-HH
30	3296-29	2	Nut-Lock, NI
99	3290-378	5	Tie-Cable

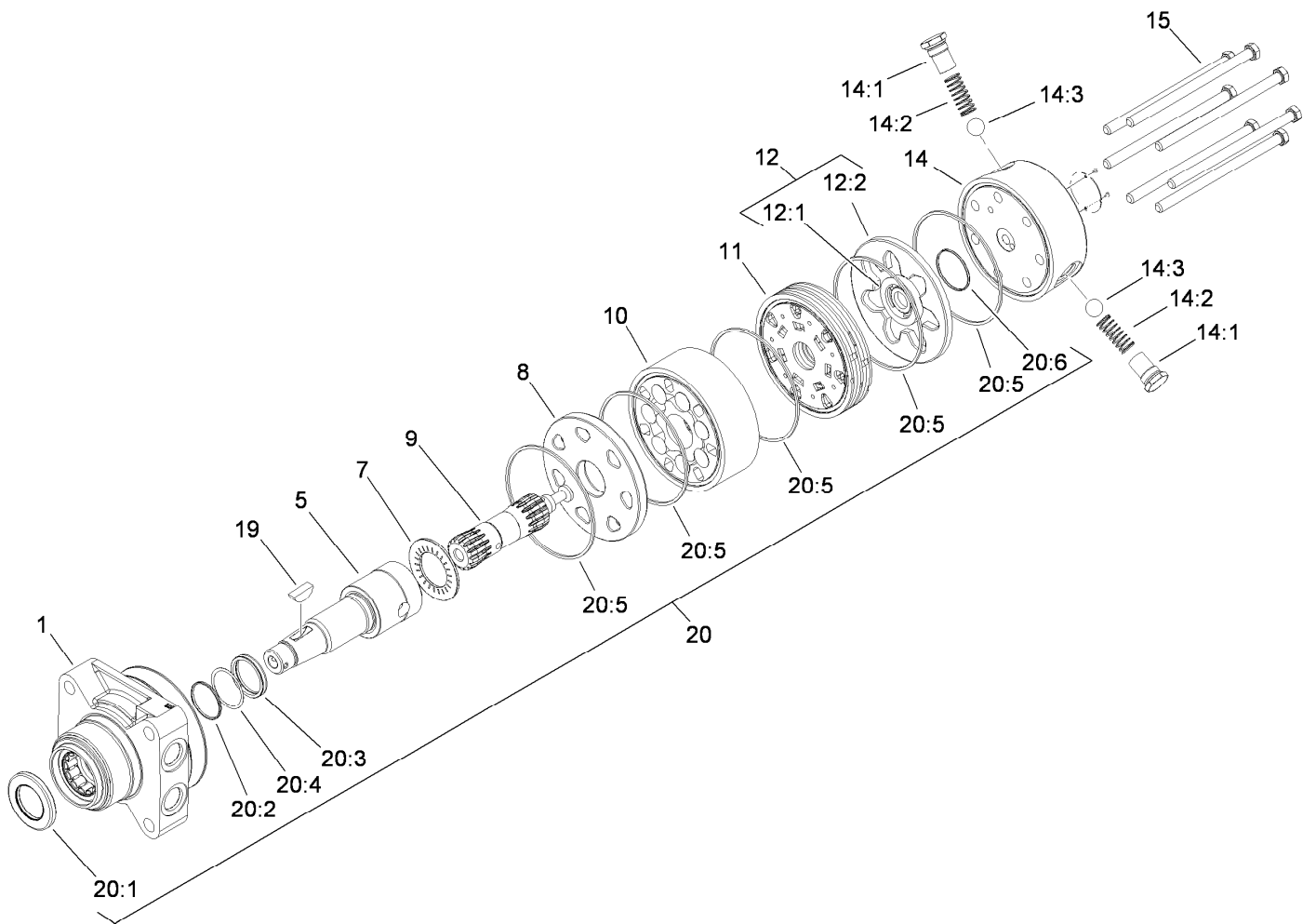
● Not serviced separately



## Hydraulic Cylinder Assembly No. 94-8141

Ref.	Part Number	Qty.	Description
1	86-5390	1	Seal Kit
1:1		1	Uniring ●
1:2		1	O-Ring ●
1:3		1	Seal-Rod ●
1:4		1	O-Ring ●
1:5		1	Ring-Backup ●
1:6		1	O-Ring ●
2		1	Rod ●
3		1	Piston ●
4		1	Gland ●
5		1	Nut-Lock ●
6		1	Ring-Retaining ●

● Not serviced separately

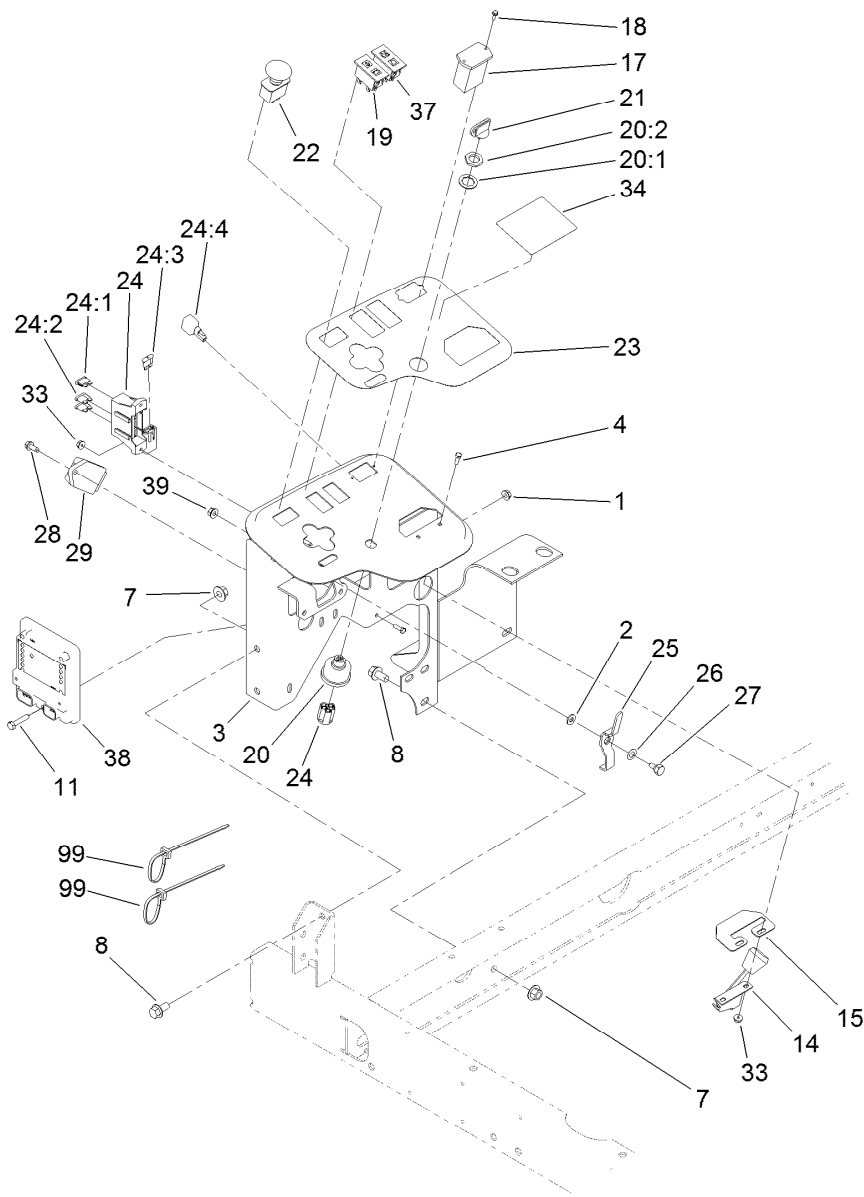


## Hydraulic Motor Assembly No. 95-8694

Ref.	Part Number	Qty.	Description	Ref.	Part Number	Qty.	Description
1	76-0810	1	Housing ASM	14:2	99-3541	1	Spring
5	99-3090	1	Shaft-Coupling	14:3	99-3540	1	Ball
7	76-0850	1	Bearing-Thrust	15	99-3536	7	Screw-HH
8	76-0870	1	Plate-Wear	19	3257-42	1	Key-Woodruff
9	99-3537	1	Link-Drive	20	94-8178	1	Seal Kit
10	99-3539	1	Set-Rotor	20:1		1	Seal-Dirt And Water ●
11	99-3535	1	Manifold	20:2		1	Backup-Ring ●
12	76-0880	1	Commutator ASM	20:3		1	Seal-Shaft ●
12:1		1	Commutator ●	20:4		1	Washer-Backup ●
12:2		1	Ring-Commutator ●	20:5		5	Seal-Square, Ring (Inner) ●
14	99-3538	1	End Cover ASM	20:6		1	Seal-Commutator ●
14:1		1	Spring Cap And O-Ring ASM ●				

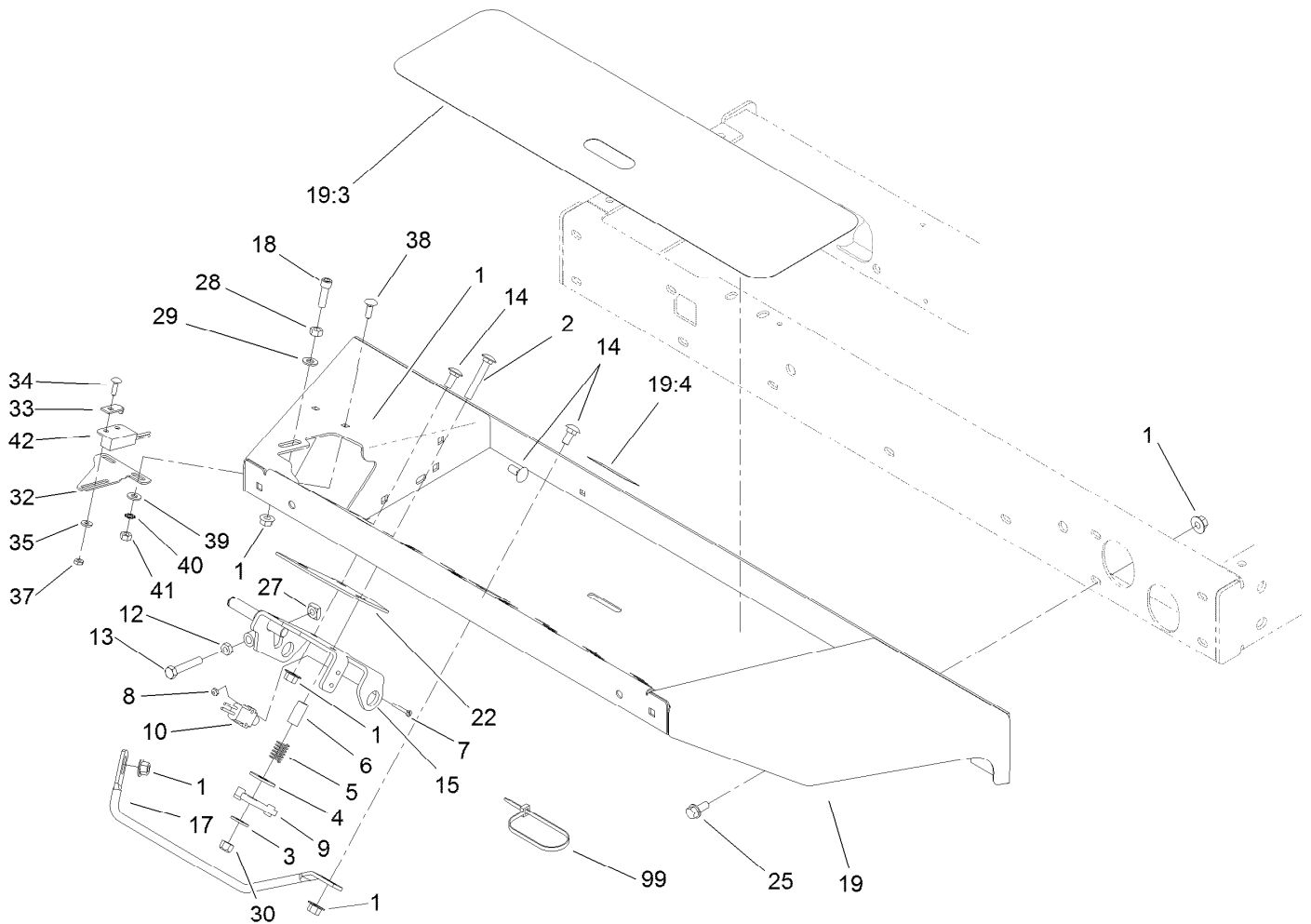
● Not serviced separately





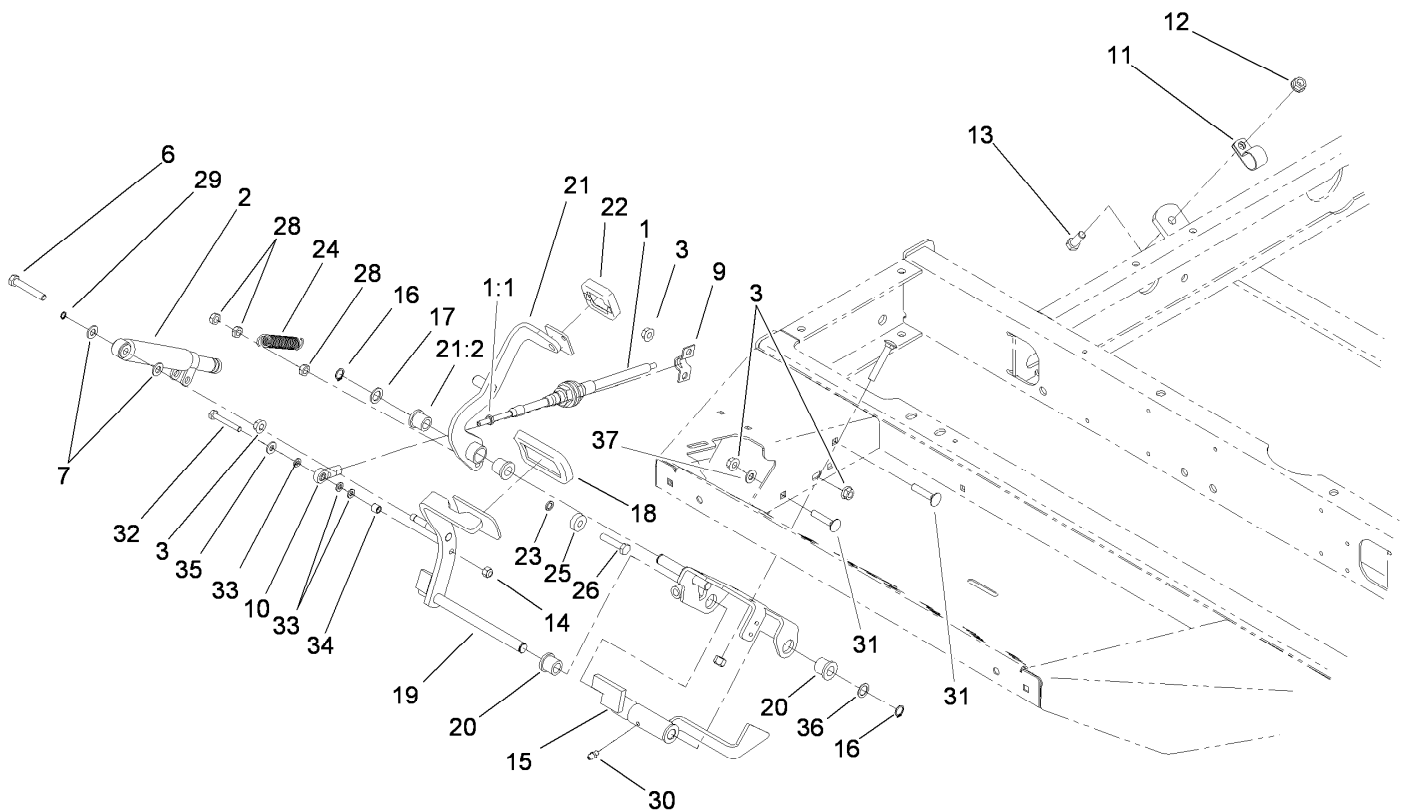
## Control Panel Assembly

<i>Ref.</i>	<i>Part Number</i>	<i>Qty.</i>	<i>Description</i>	<i>Ref.</i>	<i>Part Number</i>	<i>Qty.</i>	<i>Description</i>
1	32128-33	3	Nut-HF	24	122-0258	1	Harness-Wire
2	3256-22	1	Washer-Flat	24:1	218-578	1	Fuse-Blade, 10 Amp
3	115-3496-03	1	Panel-Control	24:2	109355	1	Fuse-Blade, 15 Amp
4	3290-134	4	Screw	24:3	94-6710	1	Fuse-2 Amp
7	32128-43	5	Nut-Flange	24:4	100-4918	1	Diode
8	3234-1	5	Screw-HHF	25	99-3401-03	1	Lever-Valve, Lock
11	321-8	3	Screw-HH	26	3290-477	1	Washer-Curved
14	110-8795	1	Cable-Throttle	27	63-3410	1	Screw-Shoulder
15	104-0421	1	Plate-Stop, Throttle	28	32144-10	1	Screw-HWH
17	75-6820	1	Hourmeter	29	98-7611	1	Controller-Glow
18	32144-18	2	Screw-HWH	33	3290-148	4	Nut-HF
19	100-8070	1	Lamp-Warning	34	99-3558	1	Decal-Console, CE
20	104-2541	1	Ignition Switch ASM	37	100-8071	1	Lamp-Warning
20:1	218-461	1	Nut-HH	38	106-9277	1	Module-Control, Standard
20:2	3254-5	1	Washer-Lock	39	32128-32	1	Nut-HHF
21	63-8360	2	Key-Ignition	99	3290-378	3	Tie-Cable
22	93-9999	1	Switch-PTO	99	3290-379	4	Tie-Cable
23	121-3583	1	Decal-Console				



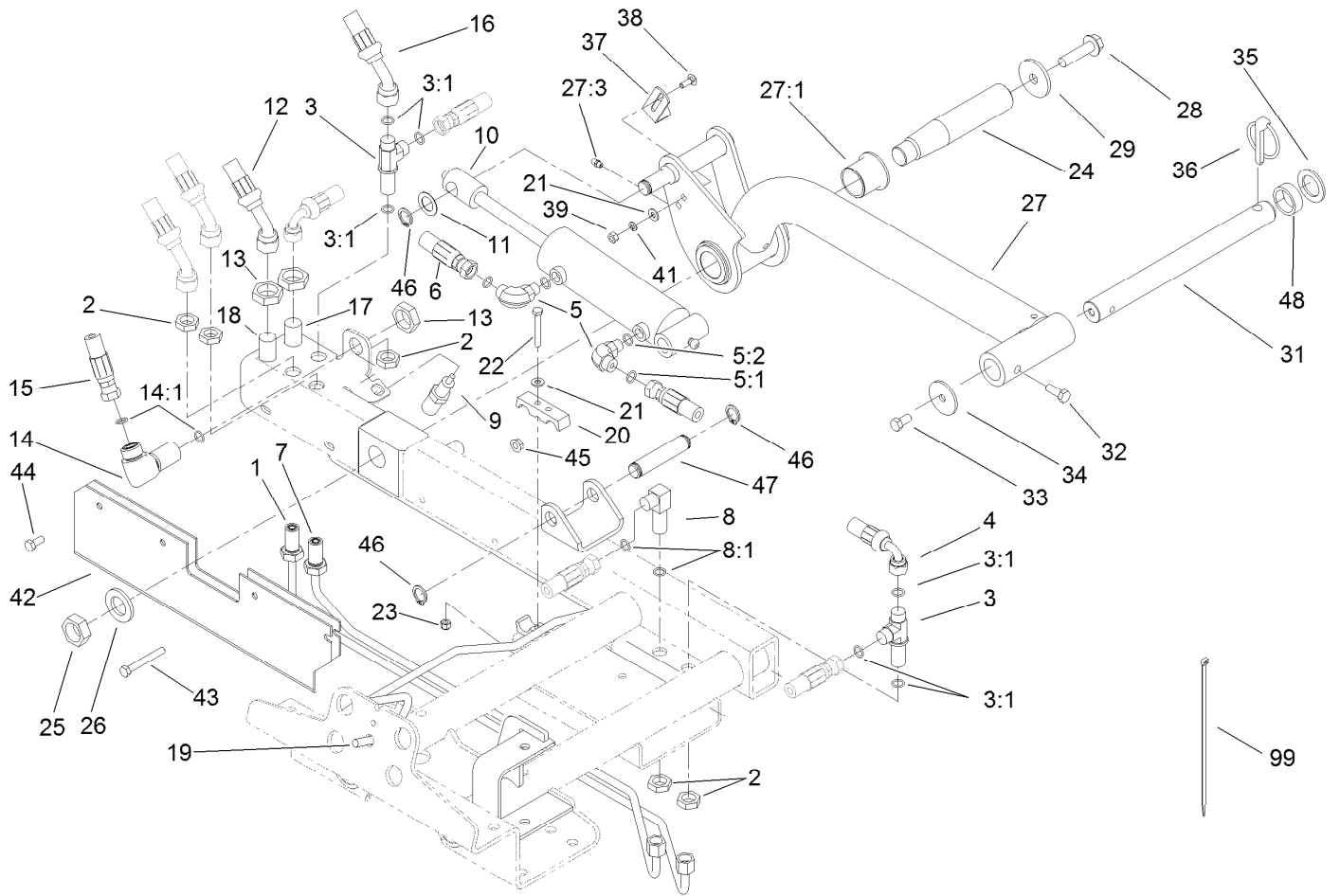
## Front Platform Assembly

Ref.	Part Number	Qty.	Description	Ref.	Part Number	Qty.	Description
1	32128-20	17	Nut-HF	19:4	99-3444	1	Decal-Mow / Transport
2	3230-6	1	Bolt-CARR	22	106-2661-01	1	Plate-Support
3	3256-3	1	Washer-Flat	25	3234-5	10	Screw-HHF
4	3256-40	1	Washer-Flat	27	99-3565	1	Nut-Square
5	65-9940	1	Spring	28	3217-6	1	Nut-Hex
6	95-8866	1	Tube-Arm, Rocker	29	3256-23	1	Washer-Plain
7	32105-9	2	Screw	30	3296-29	1	Nut-Lock, NI
8	3296-9	2	Nut-Hex	32	100-4871	1	Bracket-Switch, Neutral
9	99-3593	1	Arm-Rocker	33	100-4872	1	Plate-Switch, Neutral
10	95-8900	1	Switch	34	3229-20	1	Screw-CARR
12	3218-2	1	Nut-Jam	35	3256-14	1	Washer-Flat
13	322-41	1	Screw-HH	37	3296-2	1	Nut-Lock, NI
14	3230-23	6	Screw-CARR	38	3229-1	2	Bolt-CARR
15	95-8869-03	1	Bracket-Pedal, Traction	39	3256-22	2	Washer-Flat
17	95-8893	1	Bar-Deflector	40	3255-7	2	Washer-Lock/EXT
18	3274-22	1	Screw-HSH	41	3217-5	2	Nut-Hex
19	106-4154	1	Floorplate ASM	42	100-1270	1	Switch-Proximity
19:3	99-3478	1	Tread-Foot	99	3290-379	2	Tie-Cable



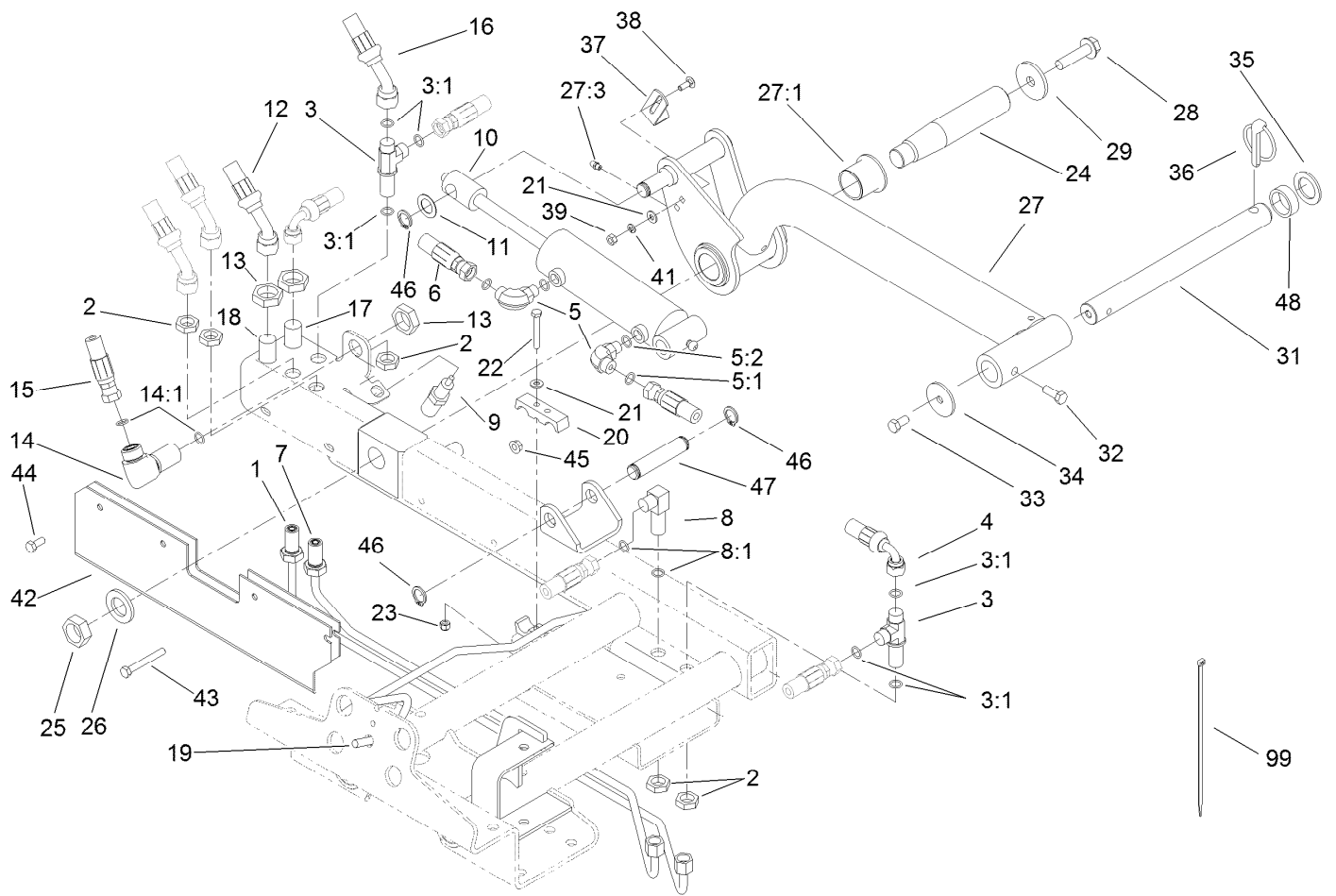
## Traction Pedal Assembly

<i>Ref.</i>	<i>Part Number</i>	<i>Qty.</i>	<i>Description</i>	<i>Ref.</i>	<i>Part Number</i>	<i>Qty.</i>	<i>Description</i>
1	100-4815	1	Cable-Control, Traction	21	99-3379	1	Pedal-Reverse
1:1	3220-1	2	Nut-Jam	21:2	256-243	2	Bearing-Flange
2	76-8870	1	Damper-Lever	22	74-9110	1	Pad-Pedal, Reverse
3	32128-20	5	Nut-HF	23	75-5470	1	Spacer-Bearing
6	322-10	1	Screw-HH	24	99-3476	1	Spring-Extension
7	3256-23	2	Washer-Plain	25	251-259	1	Bearing-Ball
9	93-2092	1	Clamp-Cable	26	322-7	1	Screw-HH
10	2411-41	1	Rod End-Ball Joint	28	3296-47	3	Nut-Lock, NI
11	2412-41	1	Clamp-R	29	32151-3	1	Ring-Grip
12	3290-357	1	Nut-HHF, Whiz	30	302-5	1	Fitting-Grease
13	323-6	1	Screw-HH	31	3230-27	1	Screw-CARR
14	3296-42	1	Nut-Lock, NI	32	321-10	1	Screw-HH
15	95-8861	1	Slide	33	33093-00	3	Washer-Flat
16	32151-84	2	Ring-Shaft, EXT	34	99-3545	1	Spacer
17	41-8440	1	Washer	35	3256-22	1	Washer-Flat
18	74-9100	1	Pad-Pedal, Forward	36	73-0040	4	Washer-Thrust
19	104-4852-03	1	Pedal-Traction	37	3256-24	1	Washer-Flat
20	256-243	2	Bearing-Flange				



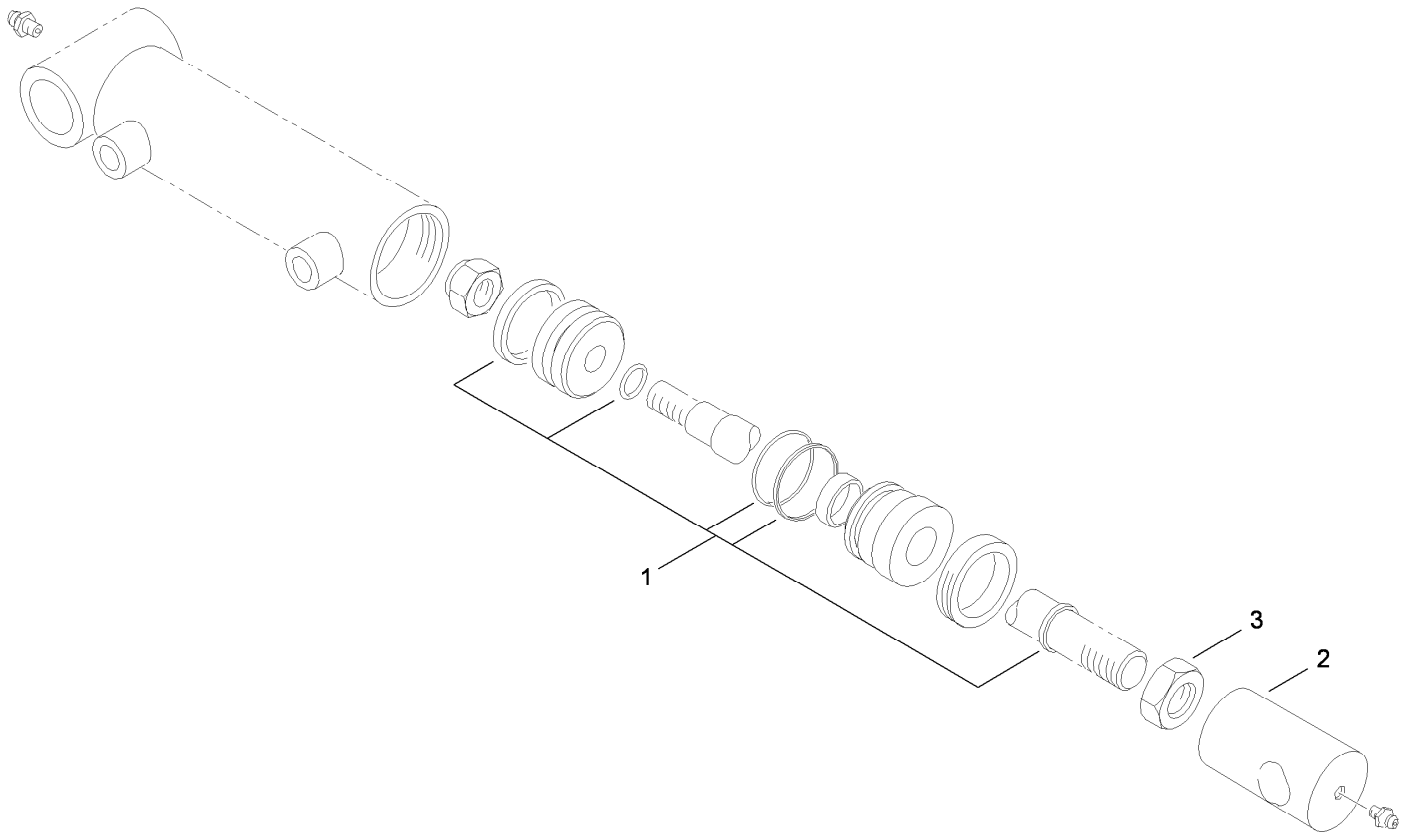
## Rear Lift Arm Assembly

Ref.	Part Number	Qty.	Description	Ref.	Part Number	Qty.	Description
1	95-8984	1	Tube-HYD	17	95-8980	1	Tube ASM
2	340-70	5	Nut-Lock	18	95-8981	1	Tube ASM
3	340-68	2	Fitting-Tee, Bulkhead	19	95-8982	1	Tube ASM
3:1	237-22	3	O-Ring	20	93-2509	2	Clamp-Tube
4	95-8831	1	Hose-HYD	21	3256-22	6	Washer-Flat
5	340-77	2	Fitting-Elbow, 90 DEG	22	321-11	2	Screw-HH
5:1	237-22	1	O-Ring	23	3296-42	2	Nut-Lock, NI
5:2	237-42	1	O-Ring	24	95-8990	1	Shaft-Pivot, Rear
6	99-3576	1	Hose-HYD	25	3220-9	1	Nut-Jam
7	95-8983	1	Tube-HYD	26	86-1480	1	Washer
8	340-154	1	Union-Bulkhead	27	115-3475	1	Rear Liftarm ASM
8:1	237-22	2	O-Ring	27:1	69-6470	2	Bushing-Castor
9	93-6762	1	Switch-Ball	27:3	302-5	1	Fitting-Grease
10	112-9916	1	HYD Cylinder ASM	28	3234-27	1	Screw-HHF
11	3-6498	1	Washer-Thrust	29	75-7730	1	Washer-Thrust
12	99-3574	1	Hose-HYD	31	104-1392	1	Shaft-Pivot
13	340-127	3	Nut-Bulkhead	32	323-6	1	Screw-HH
14	93-9151	1	Fitting-HYD	33	323-4	1	Screw-HH
14:1	237-30	2	O-Ring	34	63-7400	1	Washer-Rebound
15	99-3578	1	Hose-HYD	35	3-6781	1	Washer-Thrust
16	115-3412	1	Hose-HYD	36	283-71	1	Pin-Lynch



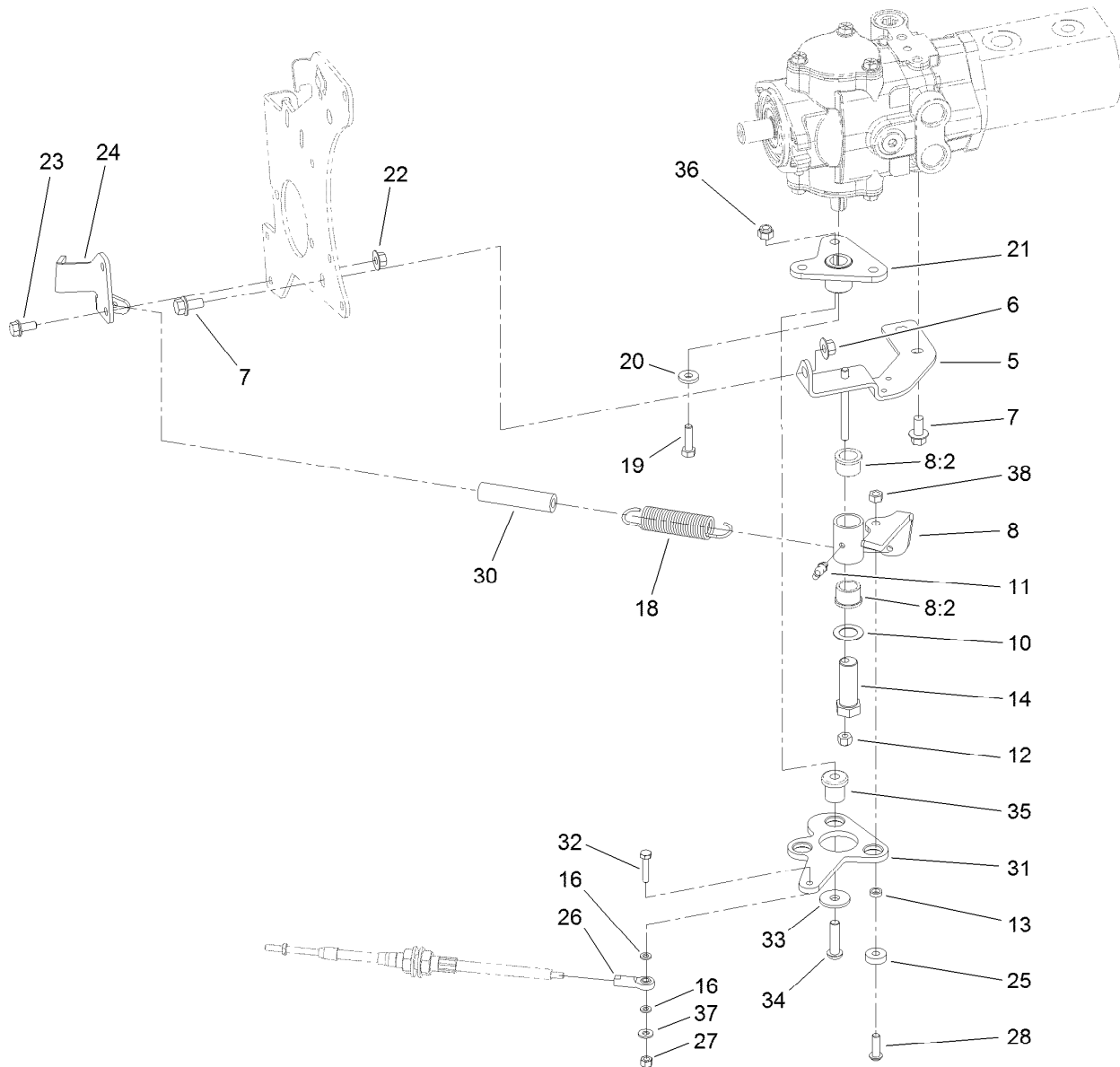
## Rear Lift Arm Assembly (continued)

<i>Ref.</i>	<i>Part Number</i>	<i>Qty.</i>	<i>Description</i>	<i>Ref.</i>	<i>Part Number</i>	<i>Qty.</i>	<i>Description</i>
37	95-8613	1	Bracket-Switch	44	322-3	2	Screw-HH
38	3229-1	2	Bolt-CARR	45	32128-20	4	Nut-HF
39	3217-5	2	Nut-Hex	46	32120-93	3	Ring-Retaining
41	3253-3	2	Washer-Lock	47	95-8575	1	Pin-Clevis
42	104-0453-03	1	Guard	48	63-0070	1	Spacer
43	322-12	2	Screw-HH	99	3290-379	1	Tie-Cable



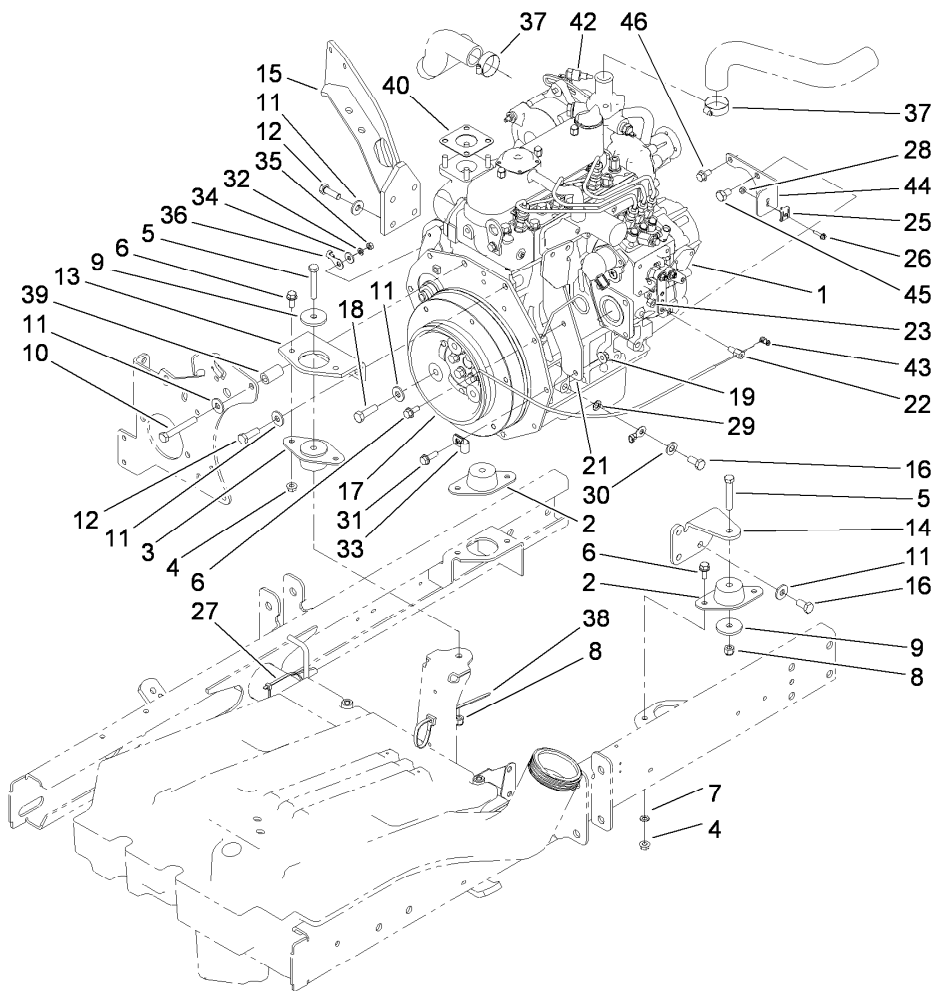
## Hydraulic Cylinder Assembly No. 112-9916

<i>Ref.</i>	<i>Part Number</i>	<i>Qty.</i>	<i>Description</i>
1	115-3410	1	Seal Kit
2	108-9035	1	Clevis
3	3220-7	1	Nut-Jam



## Neutral Arm Assembly

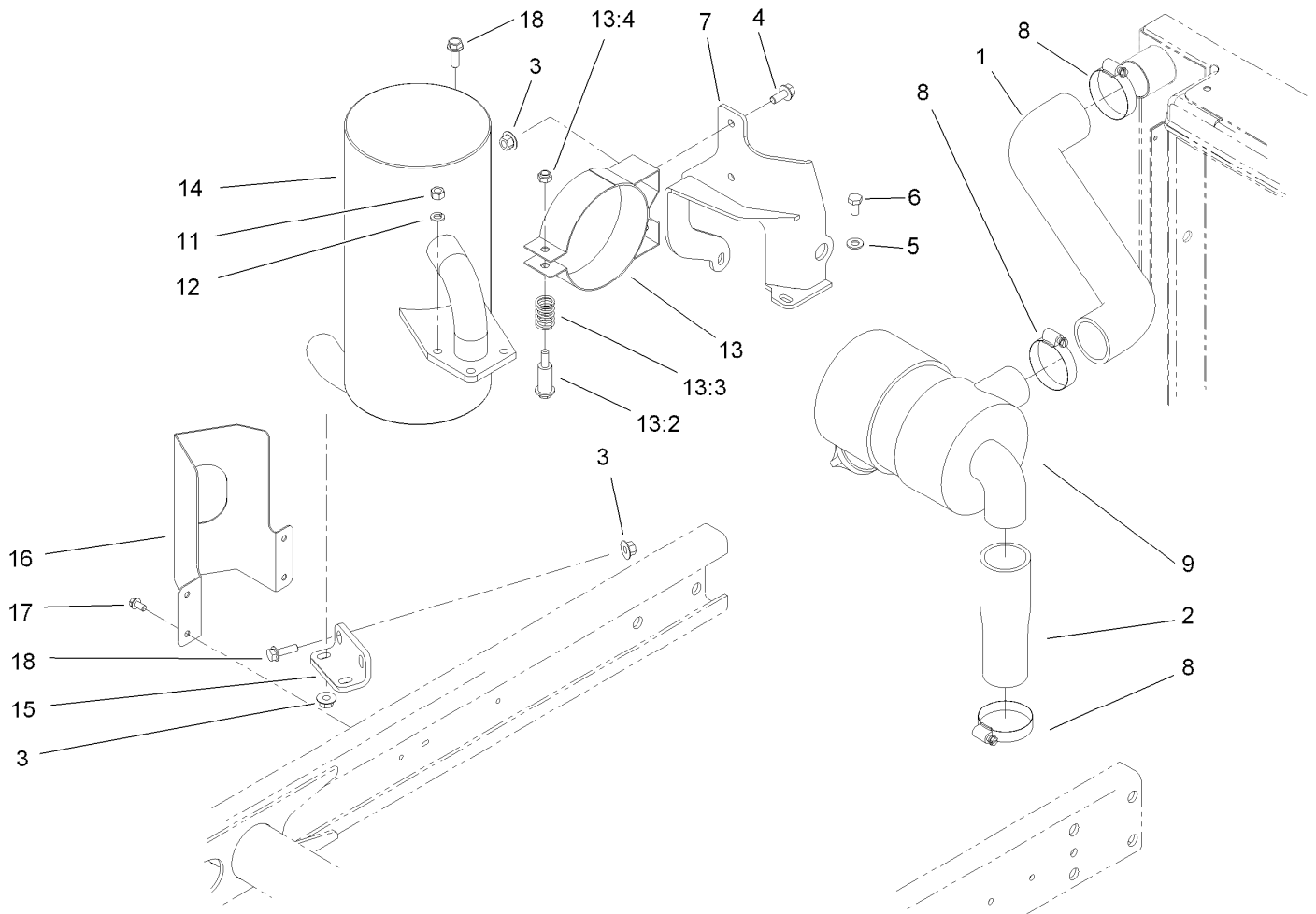
Ref.	Part Number	Qty.	Description	Ref.	Part Number	Qty.	Description
5	95-8960-03	1	Bracket-Neutral	23	3234-5	2	Screw-HHF
6	32128-43	1	Nut-Flange	24	104-0464-03	1	Bracket-Support, Cable
7	3234-1	3	Screw-HHF	25	251-259	1	Bearing-Ball
8	104-0422	1	Neutral Arm ASM	26	2411-41	1	Rod End-Ball Joint
8:2	256-113	2	Bushing-Flange	27	3296-42	1	Nut-Lock, NI
10	3-6498	1	Washer-Thrust	28	3274-104	1	Screw-HSBH
11	302-60	1	Fitting-Grease	30	99-3556	1	Hose
12	3296-29	1	Nut-Lock, NI	31	99-3594-03	1	Lever-Pump
13	100-4817	1	Spacer-Bearing	32	321-8	1	Screw-HH
14	76-8640	1	Stud-Traction	33	2844	3	Washer
16	33093-00	2	Washer-Flat	34	95-3857	3	Screw-HSBH
18	94-1369	1	Spring-Extension	35	63-9750	3	Mount
19	3210-6	1	Screw-HH	36	3296-39	3	Nut-Lock, NI
20	88-7200	1	Washer-Flat	37	3256-22	1	Washer-Flat
21	120-5566	1	Hub	38	32153-3	1	Nut-Hex, Side Deform
22	32128-44	2	Nut				



## Engine Assembly

Ref.	Part Number	Qty.	Description	Ref.	Part Number	Qty.	Description
1	127-9659	1	Engine-Kubota, D1105	25	81-1690	1	Clamp-Cable
2	121-9076	2	Mount-Engine	26	32105-13	1	Screw-HWH
3	93-5265	1	Mount-Engine	27	3290-379	2	Tie-Cable
4	32128-20	6	Nut-HF	28	3296-2	1	Nut-Lock, NI
5	323-11	3	Screw-HH	29	3255-9	1	Washer-Lock
6	3234-5	7	Screw-HHF	30	3256-25	1	Washer-Flat
7	3255-8	1	Washer-Lock	31	3234-17	1	Screw-HHF
8	3296-39	3	Nut-Lock, NI	32	3256-78	1	Washer-Flat
9	80-8560	3	Washer-Hardened	33	2412-10	1	Clamp-R
10	42-9370	1	Screw-HH	34	43-5930	1	Washer-Lock, Spring
11	80-6990	12	Washer-Hardened	35	48-7890	1	Nut-Hex
12	95-8812	5	Screw-HH	36	99-3441	1	Harness-Wire, Fusible Link
13	95-8926-03	1	Mount-Engine, Front	37	2412-34	2	Clamp-Hose
14	95-8937-03	1	Mount-Engine, LH	38	3290-378	1	Tie-Cable
15	100-4838-03	1	Mount-Engine	39	95-8736	1	Spacer
16	63-7790	4	Screw-Cap	40	98-9611	1	Gasket
17	99-3412-03	1	Pulley	42	99-3582	1	Thermoswitch
18	56-2140	3	Screw-HH	43	112-9919	1	Stop-Cable, Throttle
19	32128-44	2	Nut	44	110-9009-03	1	Bracket-Cable, Throttle
21	115-3487-03	1	Bracket-Mount, Fuel Filter	45	70-8470	1	Screw-HH
22	98-9311	1	Swivel-Throttle	46	33104-016	1	Screw-HHF
23	3296-20	1	Nut-Lock, NI				

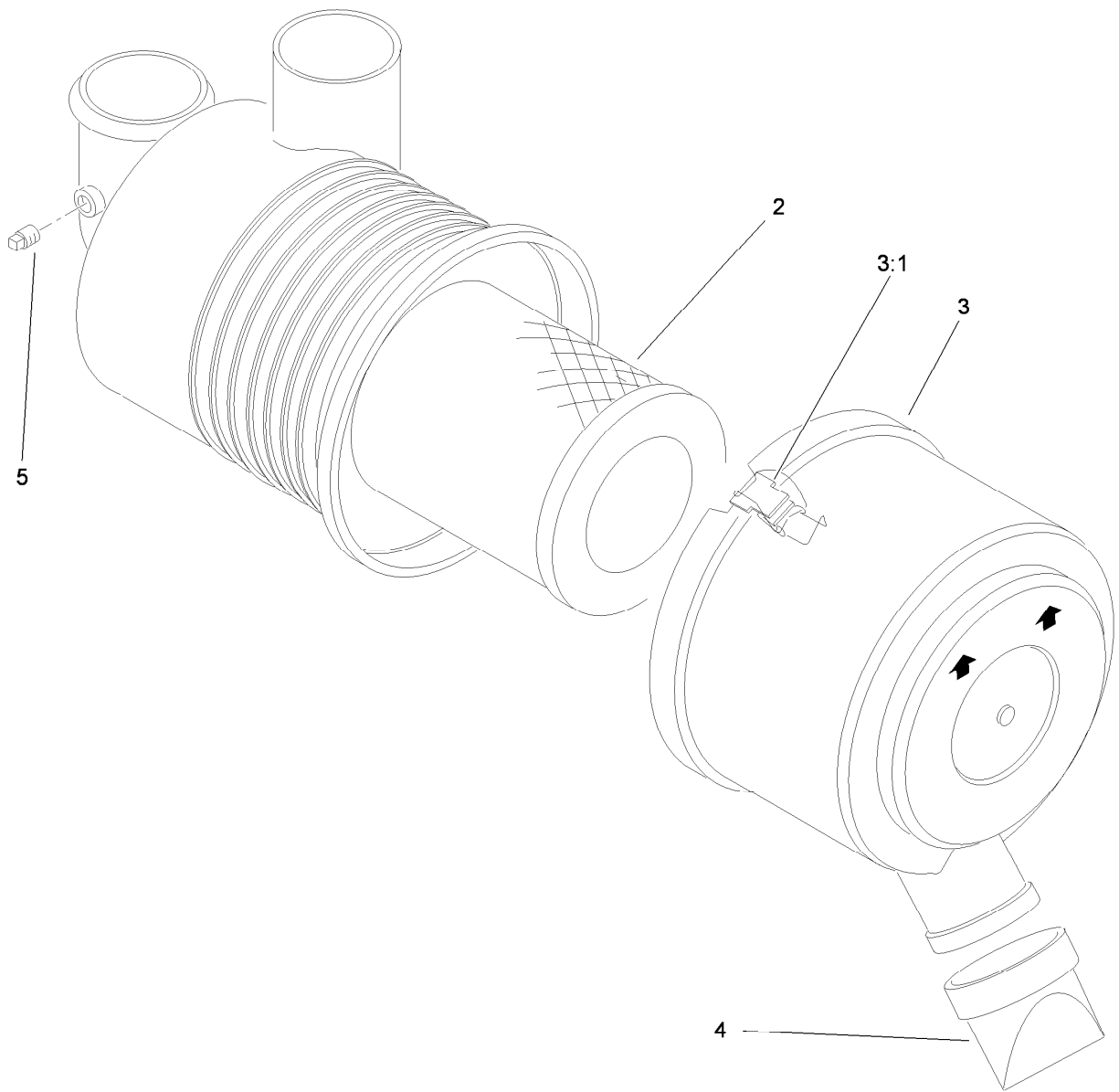




## Air Cleaner and Muffler Assembly

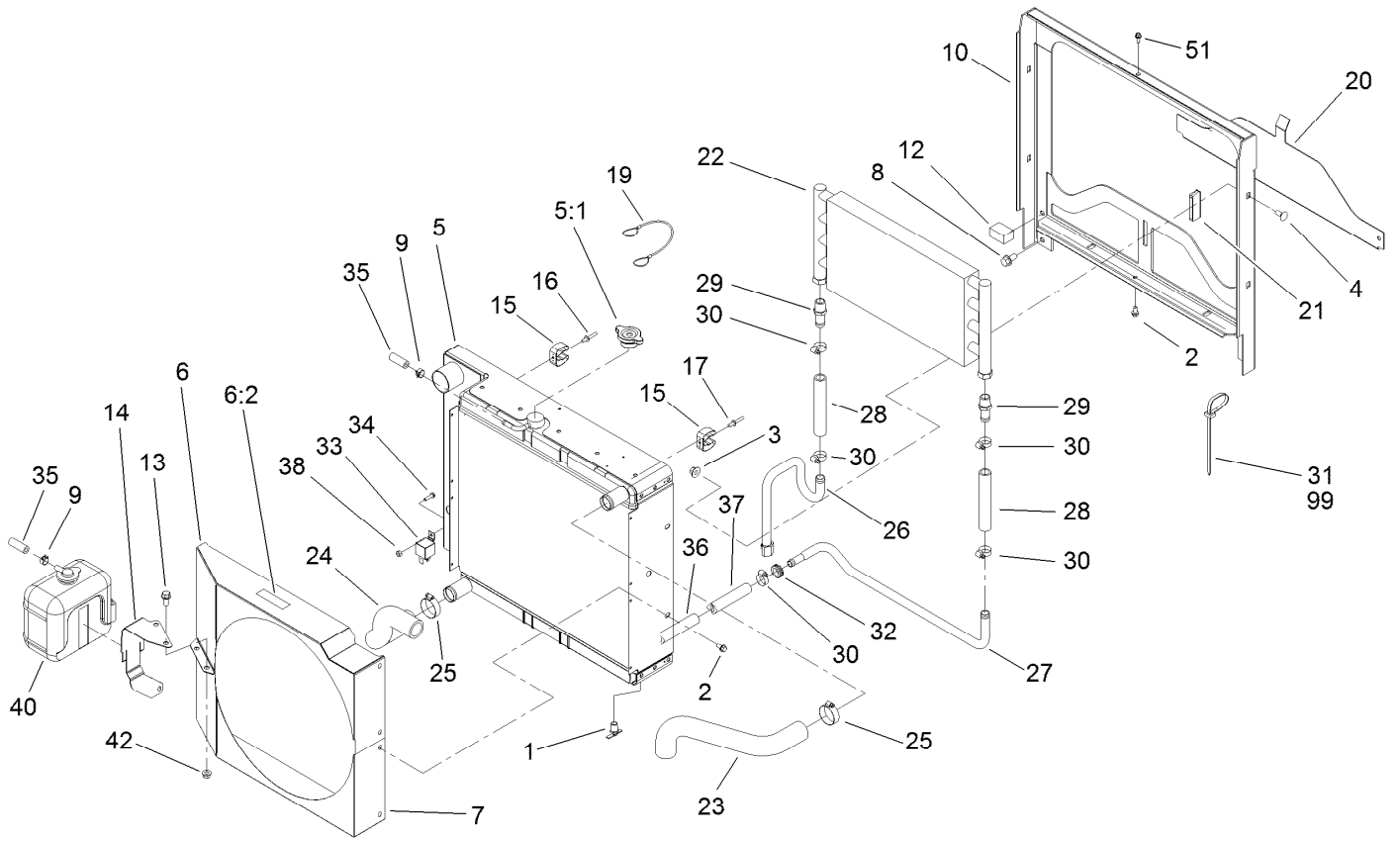
<i>Ref.</i>	<i>Part Number</i>	<i>Qty.</i>	<i>Description</i>
1	95-8946	1	Hose-Upper, Air Inlet
2	95-8947	1	Hose-Air Inlet, Lower
3	32128-44	6	Nut
4	3234-5	3	Screw-HHF
5	3256-23	2	Washer-Plain
6	33114-016	2	Screw-HH
7	99-3355-03	1	Bracket-Filter, Air
8	2412-92	4	Clamp-Hose
9	93-2190	1	Air Cleaner ASM
11	33014-00	4	Nut-Hex
12	3253-4	4	Washer-Lock

<i>Ref.</i>	<i>Part Number</i>	<i>Qty.</i>	<i>Description</i>
13	93-2191	1	Air Cleaner Mounting Band ASM
13:2	94-3653	1	Bolt
13:3	94-3654	1	Spring
13:4	48-9510	1	Nut
14	104-4834	1	Muffler
15	95-8943-03	1	Bracket-Muffler
16	99-3425-03	1	Guard-Exhaust
17	32144-4	4	Screw-HWH
18	3234-17	3	Screw-HHF



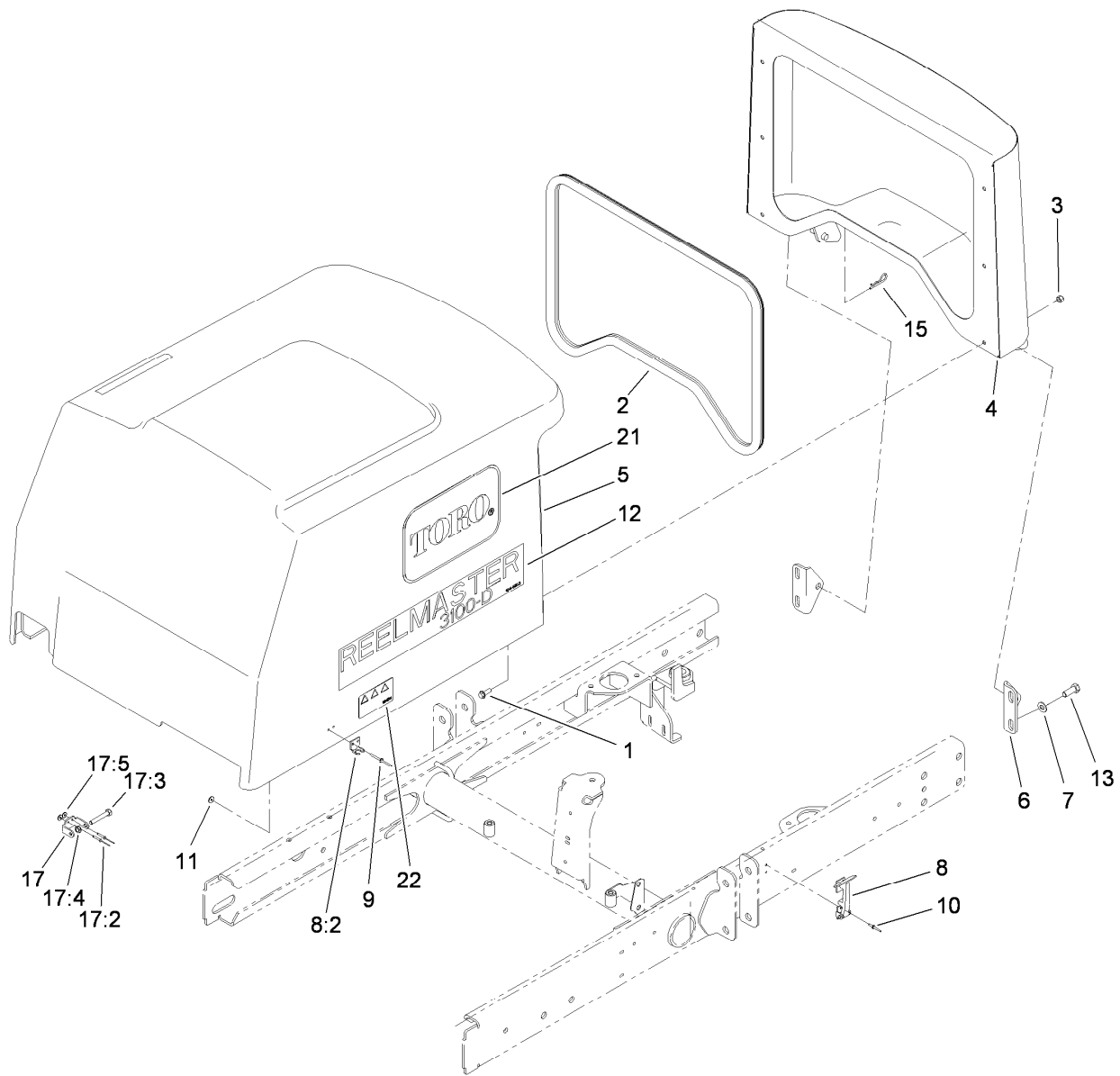
## Air Cleaner Assembly No. 93-2190

<i>Ref.</i>	<i>Part Number</i>	<i>Qty.</i>	<i>Description</i>
2	108-3811	1	Filter-Air
3	94-3652	1	Cover ASM
3:1	1-643283	2	Latch-Cleaner, Air
4	87-9400	1	Valve-Vacuator
5	285-17	1	Plug-Pipe



## Radiator Assembly

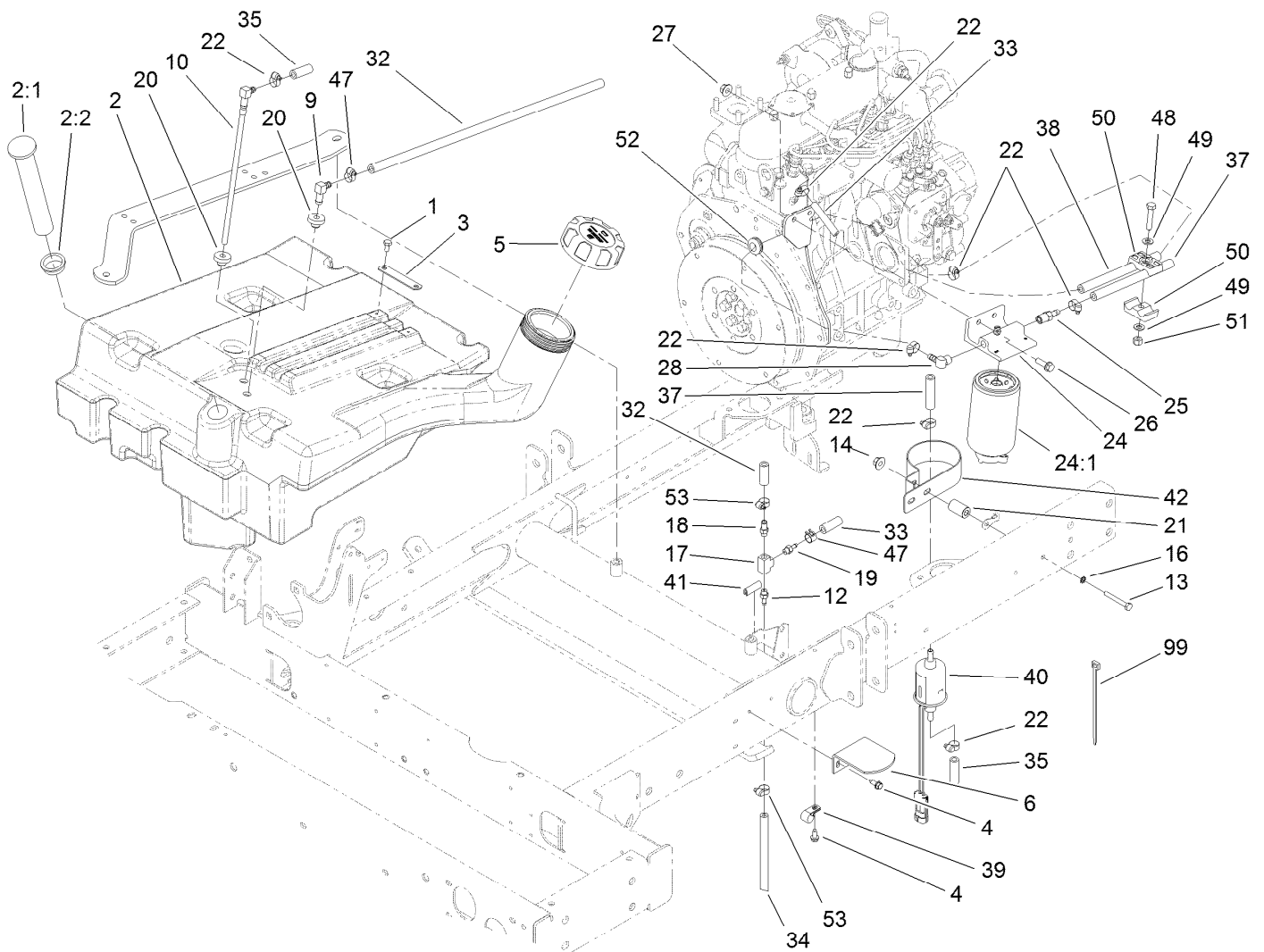
Ref.	Part Number	Qty.	Description	Ref.	Part Number	Qty.	Description
1	304-46	1	Draincock	22	75-1040	1	Cooler-Oil
2	32104-116	10	Screw-HWHTF	23	95-8944	1	Hose-Radiator, Upper
3	32128-44	4	Nut	24	95-8945	1	Hose-Radiator, Lower
4	3230-1	4	Bolt-CARR	25	2412-111	2	Clamp
5	95-8934	1	Radiator	26	95-8704	1	Tube-HYD
5:1	93-5957	1	Cap-Radiator	27	95-8705	1	Tube-HYD
6	99-3580	1	Shroud-Fan, Top	28	95-8706	2	Hose-HYD
6:2	93-6681	1	Decal-Warning, Fan	29	95-8710	2	Fitting-Barb
7	99-3360-03	1	Shroud-Fan, Bottom	30	2412-129	5	Clamp-Hose
8	3234-1	4	Screw-HHF	31	3290-378	2	Tie-Cable
9	92-2379	2	Clamp-Hose	32	99-3481	2	Grommet
10	100-4903-03	1	Frame-Radiator	33	99-7435	1	Relay
12	95-8962	2	Seal-Foam, Radiator	34	32105-13	1	Screw-HWH
13	3234-5	2	Screw-HHF	35	109-0274	1	Hose-Fuel
14	95-8879-03	1	Bracket-Reservoir	36	56-7985	1	Sleeve-Protective
15	95-8939	2	Spring-Clip	37	99-3500	1	Hose
16	3269-22	1	Rivet-Pop	38	3296-2	1	Nut-Lock, NI
17	3269-23	1	Rivet-Pop	40	104-9318	1	Bottle-Overflow
19	99-3390	1	Lanyard	42	32128-20	2	Nut-HF
20	95-8702-03	1	Shield-Radiator, Lower	51	119-2038	1	Screw-HWH
21	99-3497	1	Magnet	99	3290-379	1	Tie-Cable



## Hood Assembly

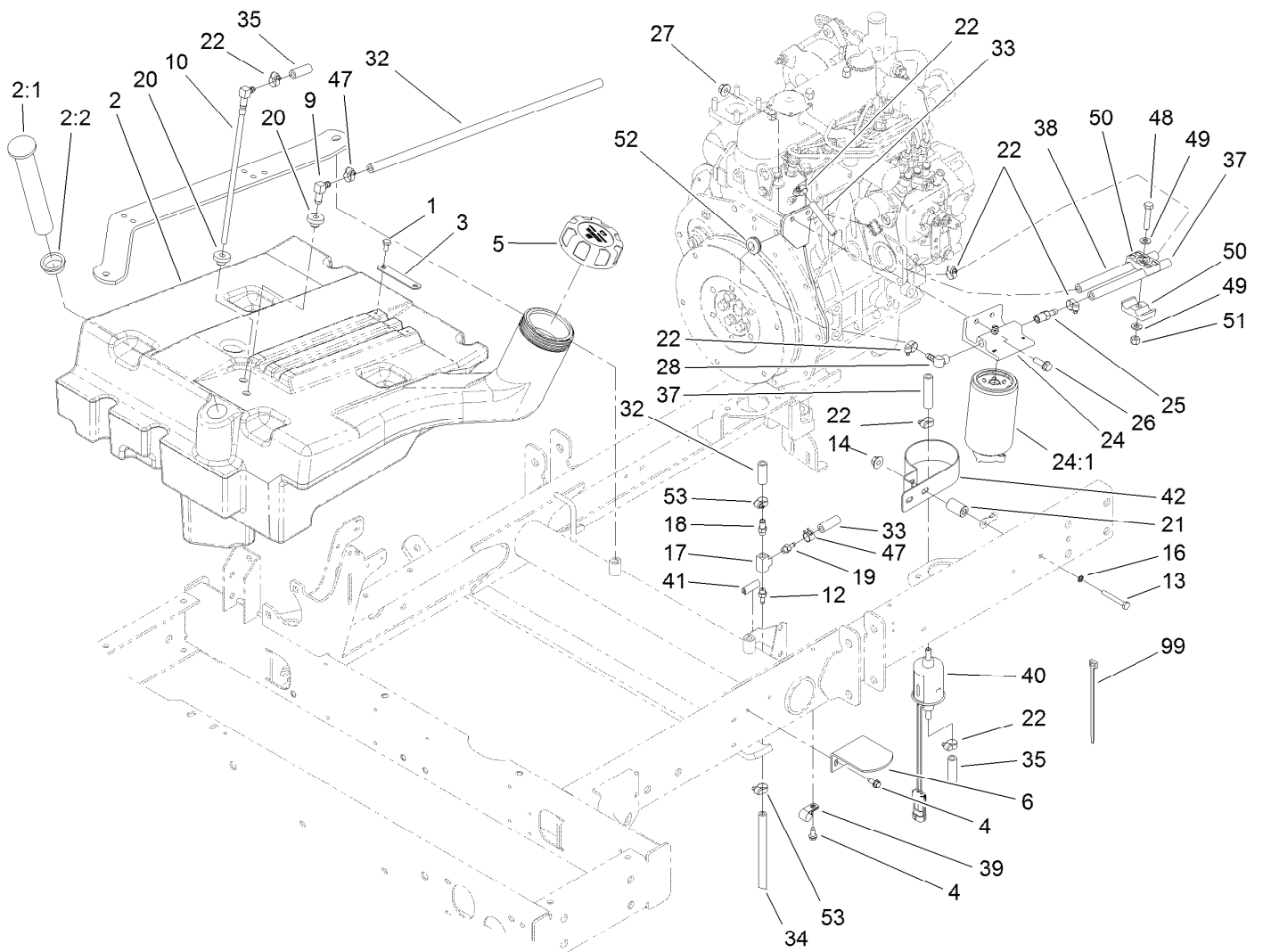
Ref.	Part Number	Qty.	Description	Ref.	Part Number	Qty.	Description
1	3234-4	6	Screw-HHF	11	3269-10	4	Washer-Back
2	95-8809	1	Trim-Seal	12	104-5153	2	Decal-Hood
3	3296-42	6	Nut-Lock, NI	13	323-6	4	Screw-HH
4	95-8724-03	1	Screen-Hood	15	3290-467	1	Pin-Hair
5	95-8935	1	Hood ASM	17	119-2004	1	CE Latch Kit
5:1	106-8114	1	Heat Tape Repair Kit ●	17:2	107-0333	2	Rivet-Pop
6	95-8728	2	Bracket-Pivot, Hood	17:3	322-10	1	Screw-HH
7	3256-24	8	Washer-Flat	17:4	3296-47	1	Nut-Lock, NI
8	59-9740	2	Flex Draw Latch ASM	17:5	3269-10	2	Washer-Back
8:2	249-40	1	Keeper	21	66-6140	2	Decal
9	107-0333	4	Rivet-Pop	22	106-6754	1	Decal-Danger
10	3290-55	4	Rivet-Pop				

● Not illustrated



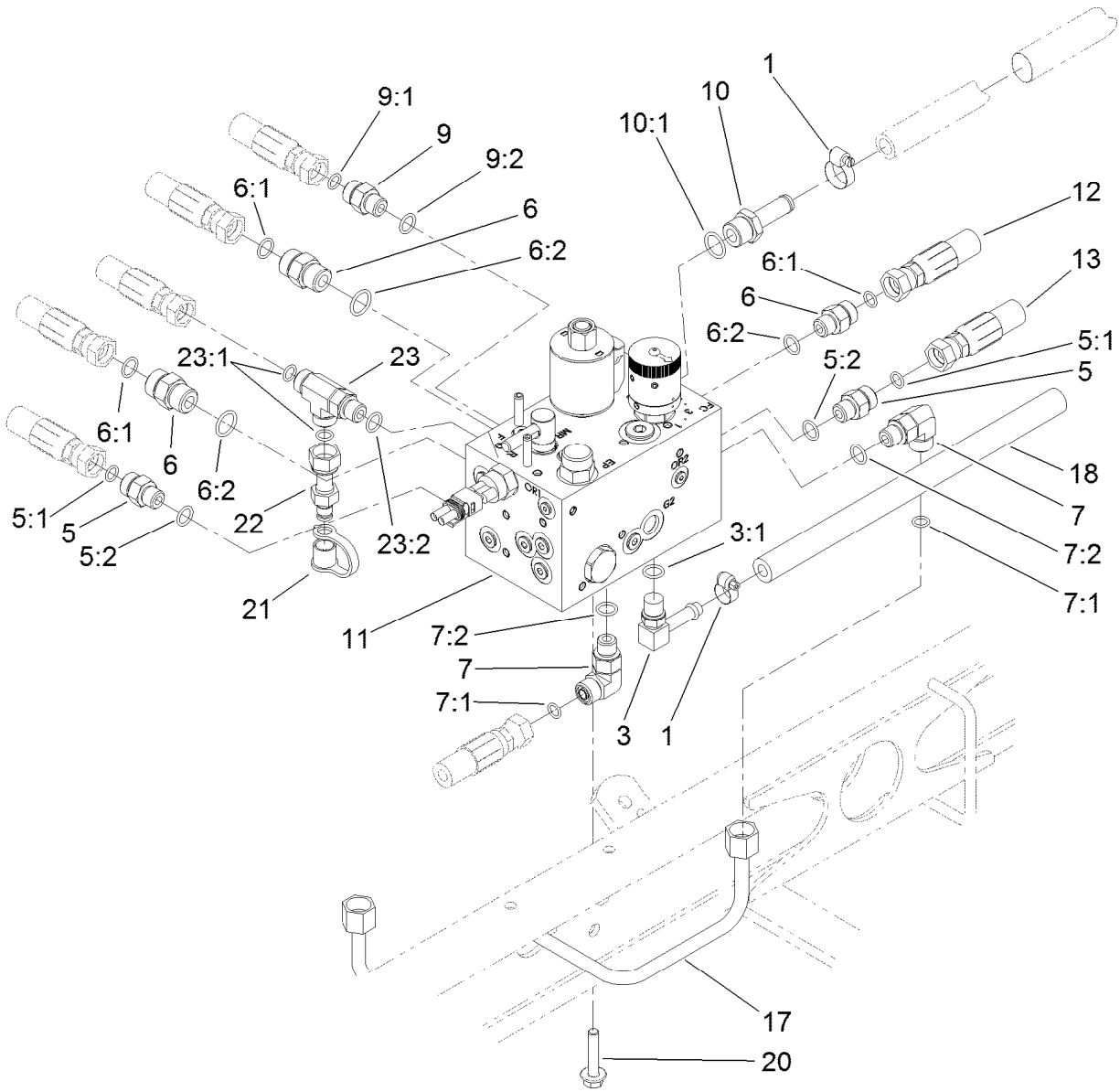
## Fuel System Assembly

Ref.	Part Number	Qty.	Description	Ref.	Part Number	Qty.	Description
1	321-2	2	Screw-HH	24:1	110-9049	1	Filter-Spin On
2	95-8620	1	Tank-Fuel	25	353-783	1	Fitting-STR
2:1	95-8971	1	Gauge-Fuel	26	3234-17	2	Screw-HHF
2:2	95-8972	1	Grommet	27	32128-44	2	Nut
3	95-8881	1	Strap-Line, Fuel	28	353-781	1	Fitting-HYD, 90
4	32144-10	3	Screw-HWH	32	110-6187	1	Hose-Fuel
5	114-5064	1	Cap-Diesel	33	110-8751	1	Hose-Fuel
6	95-8968-03	1	Support-Tank, Fuel	34	110-5701	1	Hose-Fuel
9	46-6550	1	Fitting-Elbow, 90 DEG	35	110-4100	1	Hose-Fuel
10	110-9689	1	Pipe-Stand	37	110-4109	1	Hose-Fuel
12	304-73	1	Fitting-Straight	38	110-4113	1	Hose-Fuel
13	321-14	1	Screw-HH	39	2412-73	1	Clamp-R
14	32128-33	1	Nut-HF	40	110-8806	1	Pump-Fuel
16	3256-22	1	Washer-Flat	41	110-8754	1	Trim
17	354-20	1	Fitting-Tee	42	110-8817	1	Bracket-Pump, Fuel
18	354-21	1	Fitting-Barbed	47	2412-80	2	Clamp-Hose
19	354-22	1	Fitting-Barbed	48	322-8	1	Screw-HH
20	46-6560	2	Bushing	49	3256-23	2	Washer-Plain
21	77-3180	1	Spacer	50	56-7971	2	Clamp-Tube
22	92-2379	7	Clamp-Hose	51	3296-29	1	Nut-Lock, NI
24	110-9044	1	Separator-Filter	52	1-543296	1	Grommet



## Fuel System Assembly (continued)

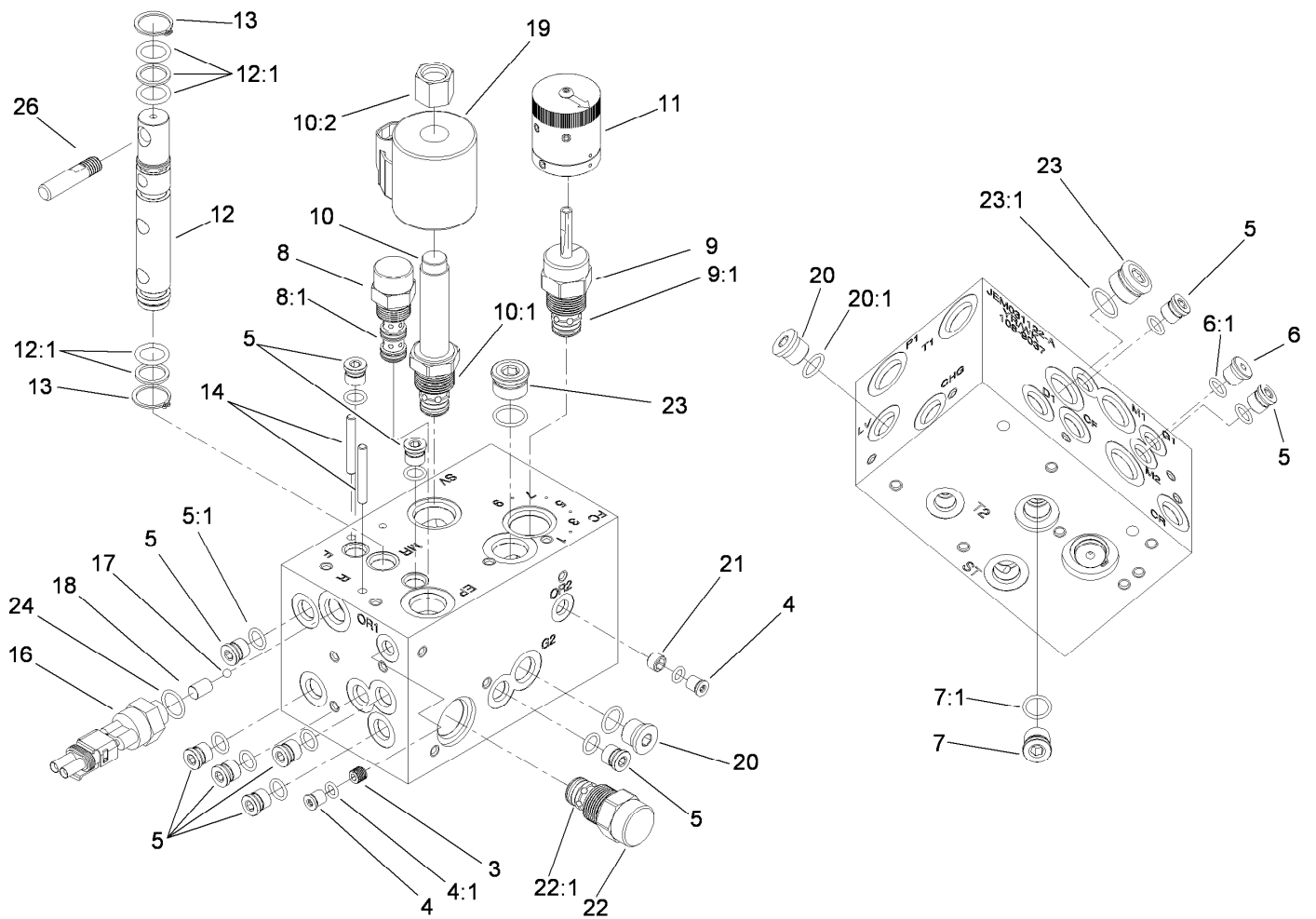
<i>Ref.</i>	<i>Part Number</i>	<i>Qty.</i>	<i>Description</i>
53	2412-108	2	Clamp-Worm
99	3290-379	2	Tie-Cable



## Manifold Block Assembly

Ref.	Part Number	Qty.	Description
1	2412-36	2	Clamp-Hose
3	100-4887	1	Fitting-Elbow, 90
3:1	237-42	1	O-Ring
5	340-2	2	Fitting-Straight
5:1	237-22	1	O-Ring
5:2	237-42	1	O-Ring
6	340-4	3	Fitting-Straight
6:1	237-30	1	O-Ring
6:2	237-79	1	O-Ring
7	340-77	2	Fitting-Elbow, 90 DEG
7:1	237-22	1	O-Ring
7:2	237-42	1	O-Ring
9	340-92	1	Fitting-Straight
9:1	237-78	1	O-Ring

Ref.	Part Number	Qty.	Description
9:2	237-21	1	O-Ring
10	354-121	1	Fitting-STR
10:1	237-79	1	O-Ring
11	108-9037	1	Manifold ASM
12	95-8829	1	Hose ASM
13	106-4197	1	Hose ASM
17	99-3551	1	Tube-HYD
18	80-7342	1	Hose-HYD
20	104-8300	2	Nut-HF, NI
21	354-79	1	Cap-Dust
22	86-5480	1	Nipple-Test
23	340-86	1	Fitting-Tee
23:1	237-22	2	O-Ring
23:2	237-42	1	O-Ring

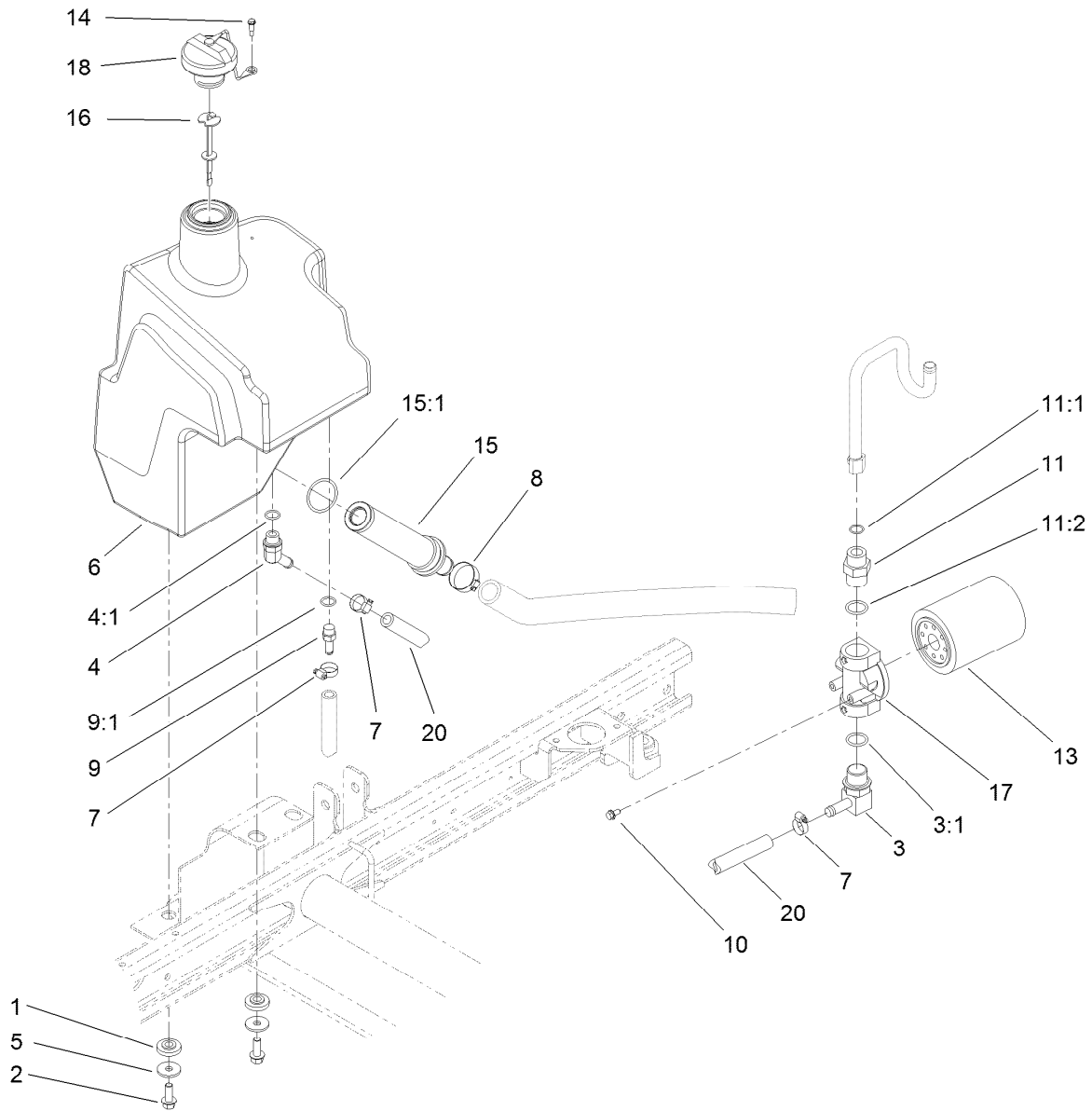


## Hydraulic Manifold Assembly No. 108-9037

Ref.	Part Number	Qty.	Description	Ref.	Part Number	Qty.	Description
3	110-8771	1	Orifice-.020	12	117-0108	1	Spool-Rotary
4	106-1024	2	Plug-Leak, Zero	12:1	117-0109	1	Seal Kit
4:1	237-156	1	O-Ring	13	112-6532	2	Ring-Retaining
5	106-1025	10	Plug-HYD	14	112-6531	2	Pin-Spring
5:1	237-78	1	O-Ring	16	72-4310	1	Switch-Ball
6	353-512	1	Plug	17	110-8762	1	Ball-Chrome
6:1	237-78	1	O-Ring	18	110-8761	1	Pin-Dowel
7	106-1026	1	Plug-HYD	19	110-6344	1	Coil-12V, DC
7:1	237-42	1	O-Ring	20	353-508	1	Plug-HH
8	110-8770	1	Logic Element	20:1	237-42	1	O-Ring
8:1	110-8773	1	Seal Kit	21	110-8760	1	Orifice-.073
9	110-8769	1	Valve-Control, Manual Flow	22	110-8759	1	Valve-Check
9:1	110-2633	1	Seal Kit ●	22:1	110-8772	1	Seal Kit ●
10	110-8768	1	Valve-Relief, Solenoid	23	106-1027	2	Plug
10:1	110-6316	1	Seal Kit ●	23:1	237-79	1	O-Ring
10:2	110-2635	1	Nut-Coil	24	110-8757	1	O-Ring
11	110-8767	1	Rotary Handle ASM	26	110-8758	1	Handle-Spool

● Not illustrated

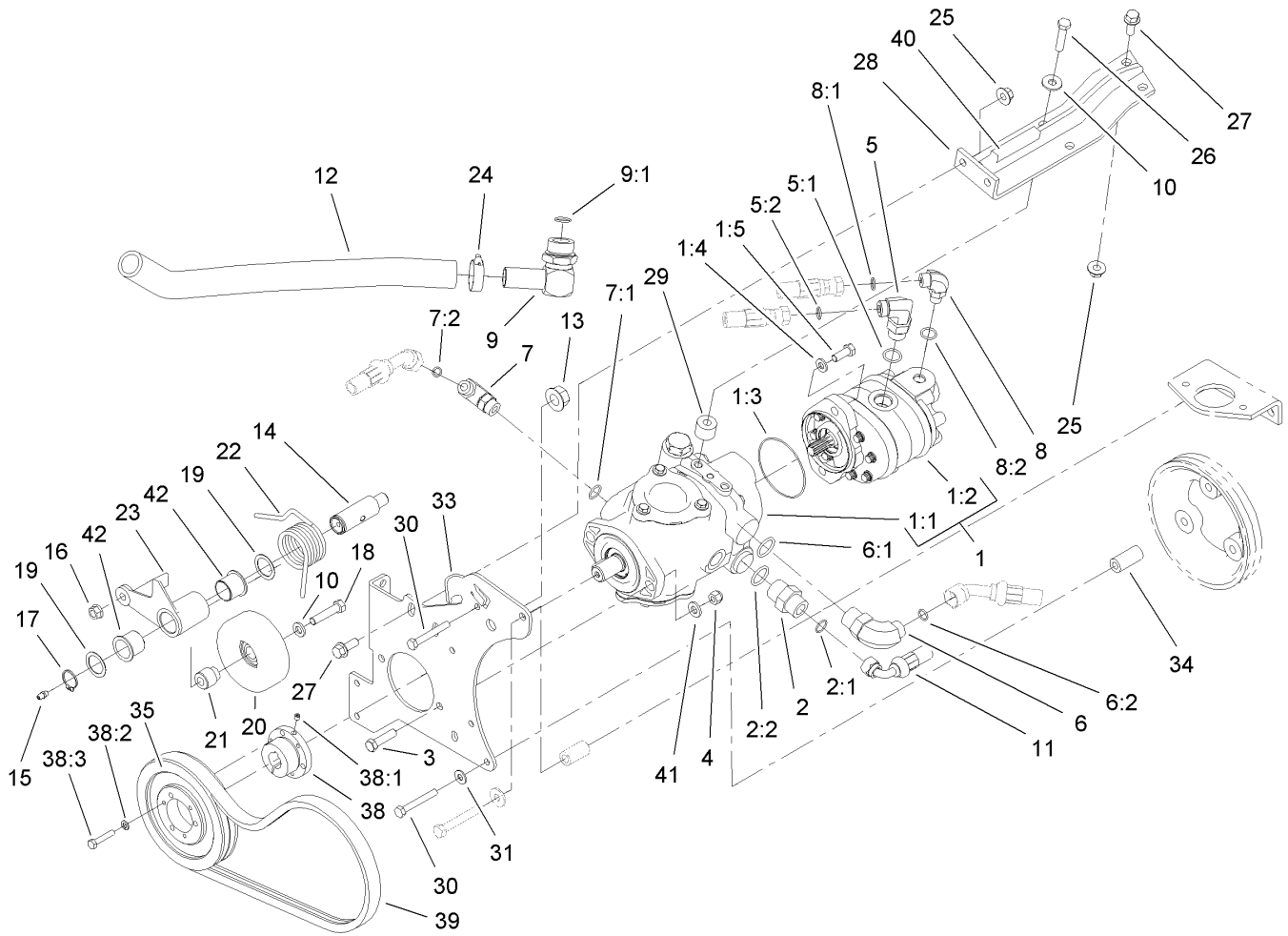




## Hydraulic Tank Assembly

Ref.	Part Number	Qty.	Description
1	240-11	4	Bushing-Flange
2	3234-11	4	Screw-HHF
3	95-8814	1	Fitting-90
3:1	237-81	1	O-Ring
4	354-126	1	Fitting-Elbow, 45
4:1	237-79	1	O-Ring
5	63-8410	4	Washer
6	104-4840	1	Tank-HYD
7	2412-36	3	Clamp-Hose
8	2412-34	1	Clamp-Hose
9	353-979	1	Fitting-STR
9:1	237-42	1	O-Ring

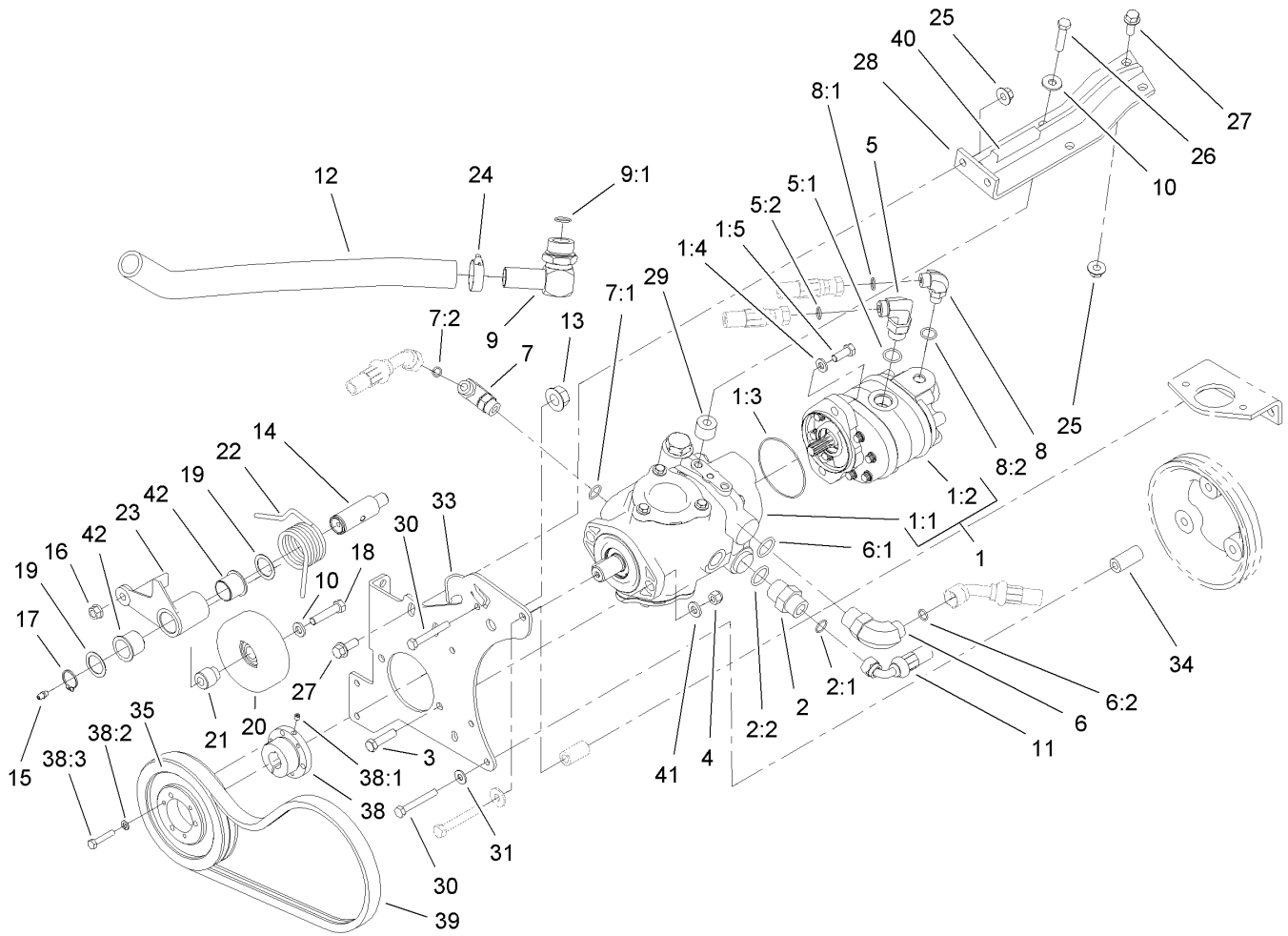
Ref.	Part Number	Qty.	Description
10	3234-13	2	Screw-HHF
11	340-8	1	Fitting-Straight
11:1	237-65	1	O-Ring
11:2	237-81	1	O-Ring
13	54-0110	1	Filter-Oil, Transmission
14	57-5420	1	Screw-Shoulder
15	104-7546	1	Tank Strainer ASM
15:1	340-136	1	O-Ring
16	119-6968	1	Dipstick-Oil
17	92-5821	1	Head-Filter
18	93-7160	1	Cap-Oil, HYD
20	99-3501	1	Hose



## Hydrostat Assembly

Ref.	Part Number	Qty.	Description	Ref.	Part Number	Qty.	Description
1		1	Tandem Pump ASM ●	10	80-6990	3	Washer-Hardened
1:1	104-4890	1	Piston Pump ASM	11	105-1214	1	Hose-HYD
1:2	95-8601	1	Gear Pump ASM	12	104-4845	1	Hose-Suction
1:3	60-3520	1	O-Ring	13	32128-54	1	Nut-HF
1:4	3256-24	2	Washer-Flat	14	99-3529	1	Shaft-Pivot, Idler
1:5	3274-1	2	Screw-HSH	15	302-5	1	Fitting-Grease
2	340-8	1	Fitting-Straight	16	32128-21	1	Nut-HF
2:1	237-65	1	O-Ring	17	32151-36	1	Ring-Retaining
2:2	237-81	1	O-Ring	18	323-10	1	Screw-HH
3	323-8	2	Screw-HH	19	74-1810	2	Washer
4	3296-39	2	Nut-Lock, NI	20	95-8802	1	Pulley-Idler
5	340-105	1	Fitting-Elbow, 90 DEG	21	95-8806	1	Spacer
5:1	237-80	1	O-Ring	22	95-8917	1	Spring-Torsion
5:2	237-30	1	O-Ring	23	99-3623-03	1	Arm-Idler
6	340-139	1	Fitting-Elbow 90	24	2412-34	1	Clamp-Hose
6:1	237-81	1	O-Ring	25	32128-43	4	Nut-Flange
6:2	237-65	1	O-Ring	26	323-19	2	Screw-HH
7	340-18	1	Fitting-HYD, 90 DEG	27	3234-11	4	Screw-HHF
7:1	237-79	1	O-Ring	28	99-3436-03	1	Support-Pump
7:2	237-22	1	O-Ring	29	99-3440	2	Spacer
8	340-77	1	Fitting-Elbow, 90 DEG	30	33114-060	4	Screw-HH
8:1	237-22	1	O-Ring	31	87-8640	3	Washer-Flat
8:2	237-42	1	O-Ring	33	95-8933-03	1	Plate-Mount, Pump
9	56-9530	1	Fitting-HYD, 90 DEG	34	95-8941	4	Spacer-Mount, Pump
9:1	237-117	1	O-Ring	35	93-6841	1	Pulley

● Not serviced separately

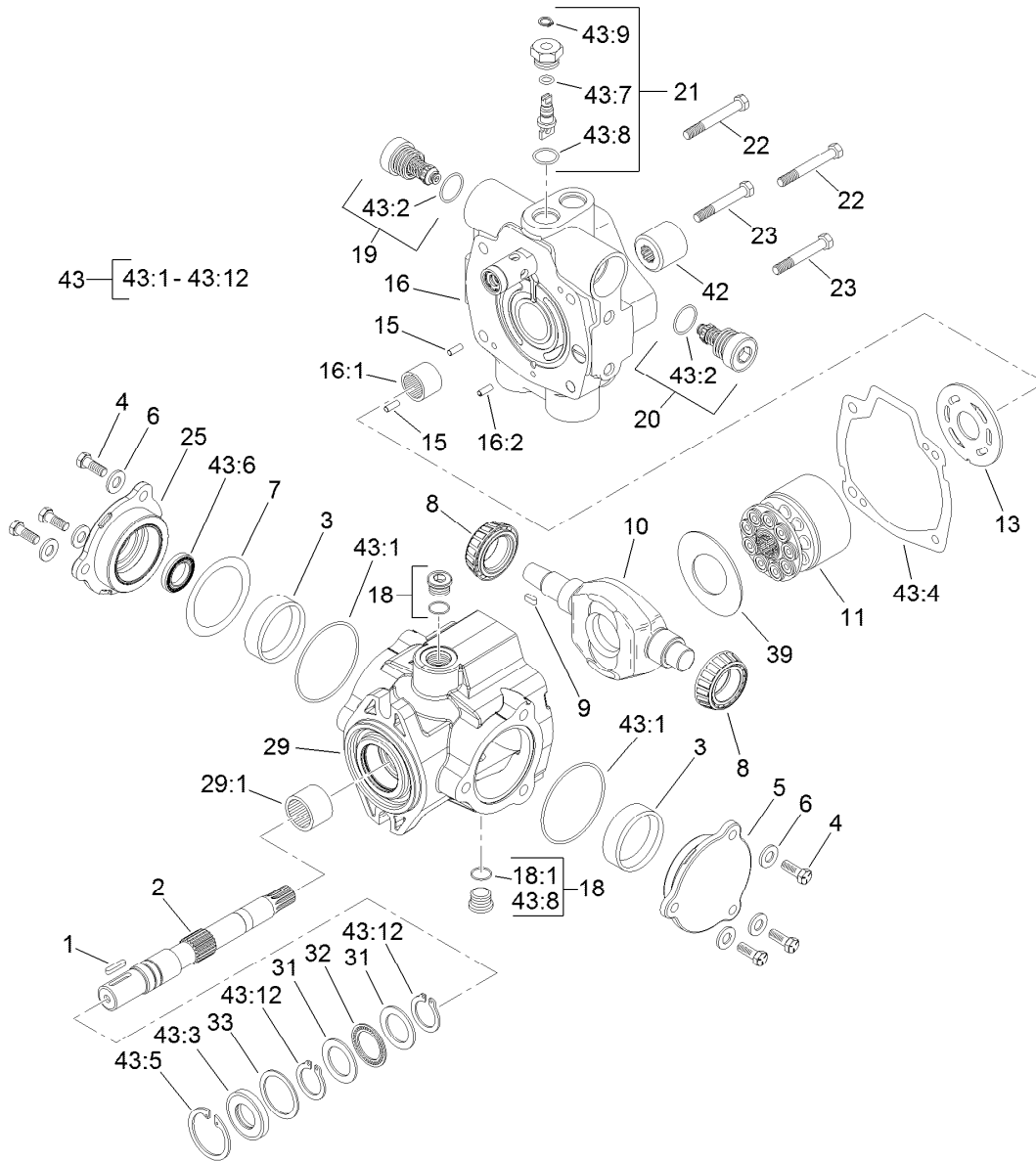


## Hydrostat Assembly (continued)

<i>Ref.</i>	<i>Part Number</i>	<i>Qty.</i>	<i>Description</i>
38	93-6842	1	Bushing-Lock, Taper
38:1	3245-36	1	Screw-Set, HSH
38:2	321-13	3	Screw-HH
38:3	3253-2	3	Washer-Lock

<i>Ref.</i>	<i>Part Number</i>	<i>Qty.</i>	<i>Description</i>
39	95-8730	1	V-Belt
40	70-2041	1	Trim
41	100-4852	2	Washer-Hardened
42	99-3631	2	Bushing-Flange

● Not serviced separately

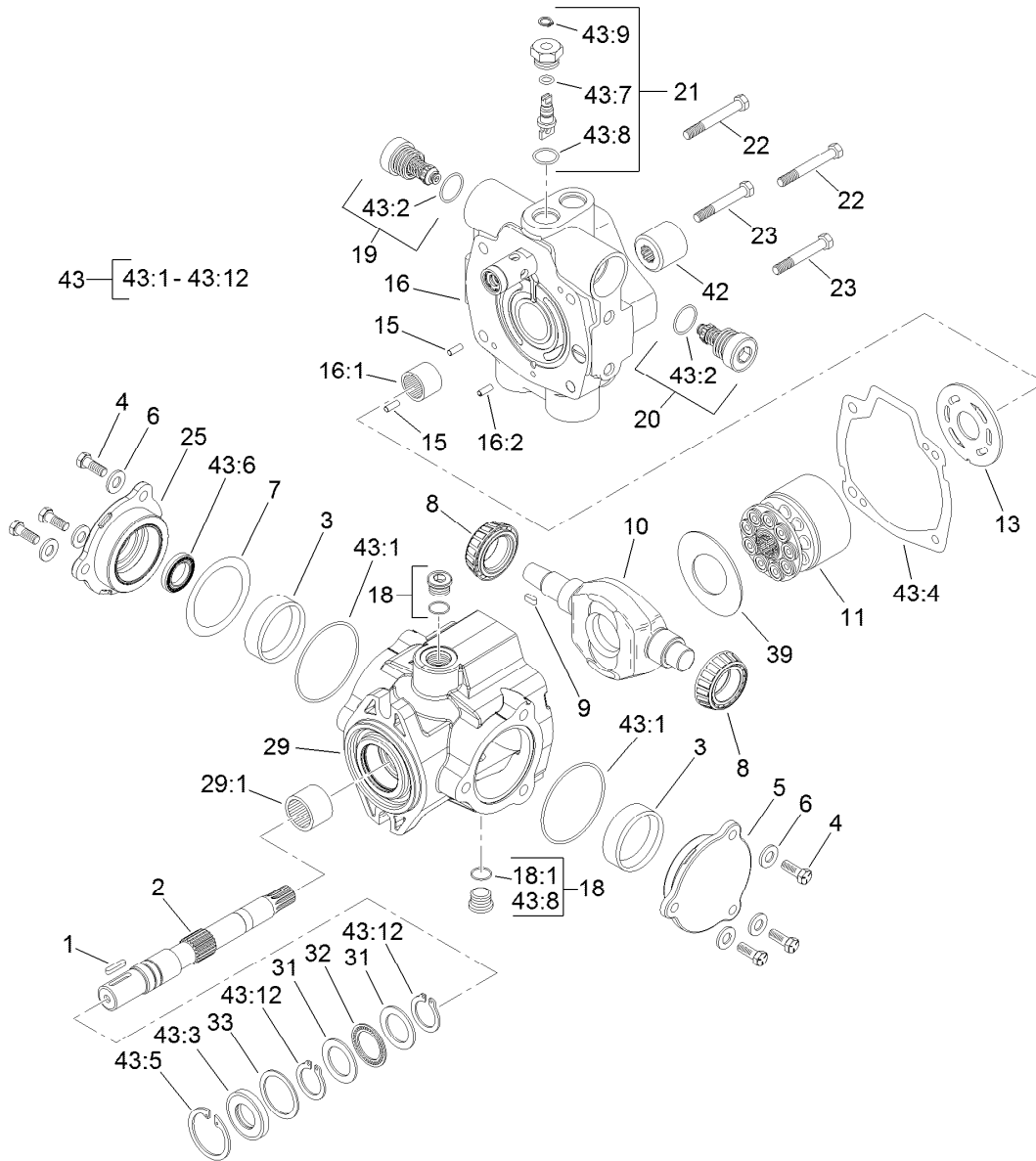


## Hydraulic Pump Assembly No. 104-4890

Ref.	Part Number	Qty.	Description	Ref.	Part Number	Qty.	Description
1	94-3645	1	Key	19	104-4889	1	Relief Valve ASM
2	94-6359	1	Shaft-Drive	20	105-3812	1	Valve-Check
3	104-4046	2	Bearing-Cup	21	105-3811	1	Valve-Bypass
4	98-4640	6	Screw-Cap	22	76-6170	2	Capscrew
5	98-4644	1	Plate-Cover	23	76-6160	2	Capscrew
6	105-9762	6	Washer	25	98-4645	1	Plate-Cover
7	100-3182	2	Shim Kit	29	100-3176	1	Housing ASM
8	98-4639	2	Bearing-Cone	29:1	94-6363	1	Bearing
9	94-3646	1	Key	31	252-71	2	Washer-Thrust
10	104-4888	1	Swashplate	32	252-66	1	Bearing-Thrust
11	76-6070	1	Rotating Kit	33	33-3720	1	Washer
13	104-0429	1	Plate-Valve	39	98-4635	1	Insert-Plate, Cam
15	76-6150	2	Pin-Dowel	42	74-9040	1	Coupler
16	105-3813	1	Endcover Sub ASM	43	120-5754	1	Seal Kit
16:1	94-6368	1	Bearing	43:1		2	O-Ring ■
16:2		1	Pin-Roll ■	43:2		2	O-Ring ■
18	74-9280	2	Plug ASM	43:3		1	Seal-Shaft ■
18:1		1	O-Ring ■	43:4		1	Gasket ■

● Not illustrated

■ Not serviced separately



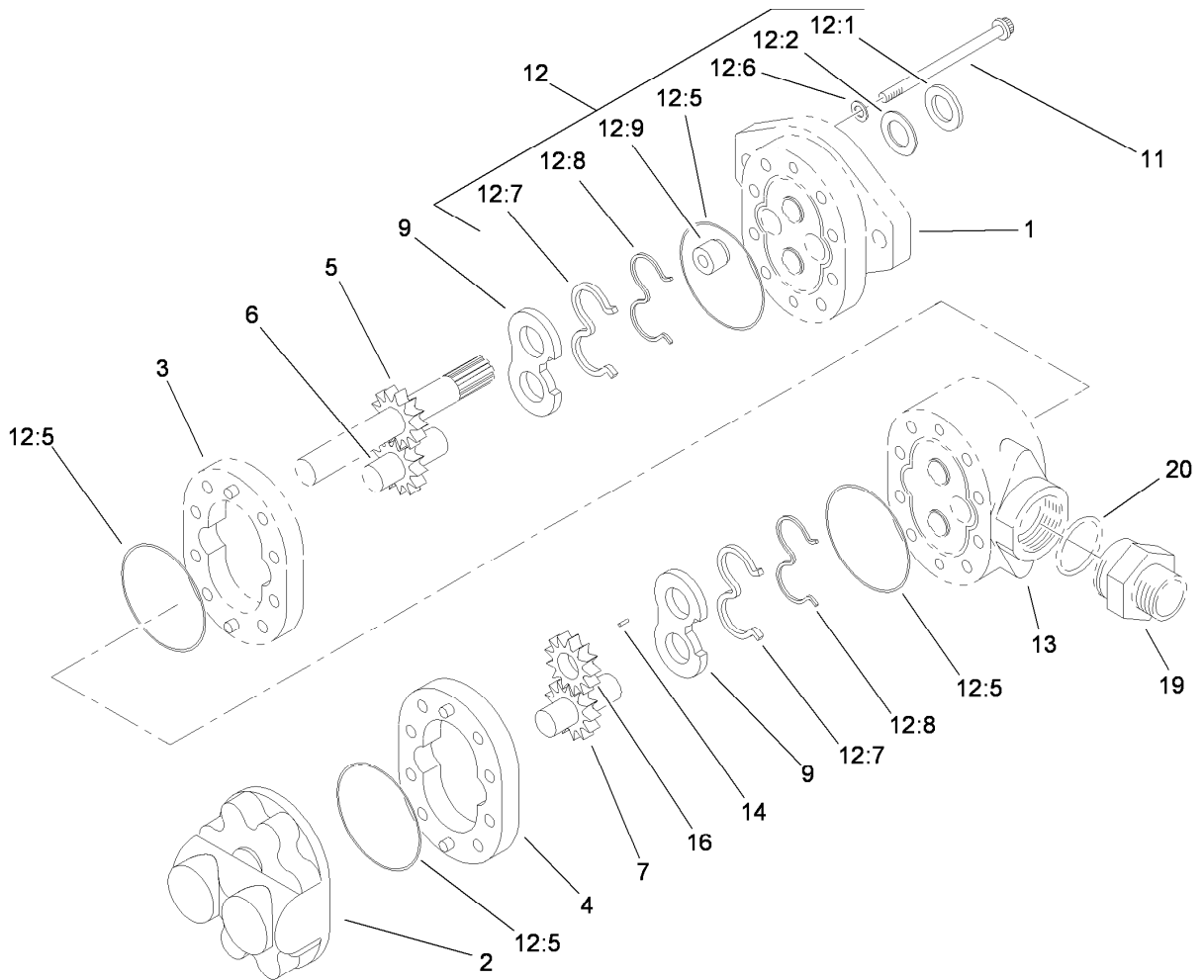
## Hydraulic Pump Assembly No. 104-4890 (continued)

Ref.	Part Number	Qty.	Description
43:5		1	Ring-Retaining ■
43:6		1	Seal-Shaft ■
43:7		1	O-Ring ■
43:8		5	O-Ring ■
43:9		1	Ring-Retaining ■

Ref.	Part Number	Qty.	Description
43:10		1	O-Ring ●■
43:11		1	O Ring-Molded ●■
43:12		2	Ring-Retaining ■
43:13		1	O-Ring ■

● Not illustrated

■ Not serviced separately

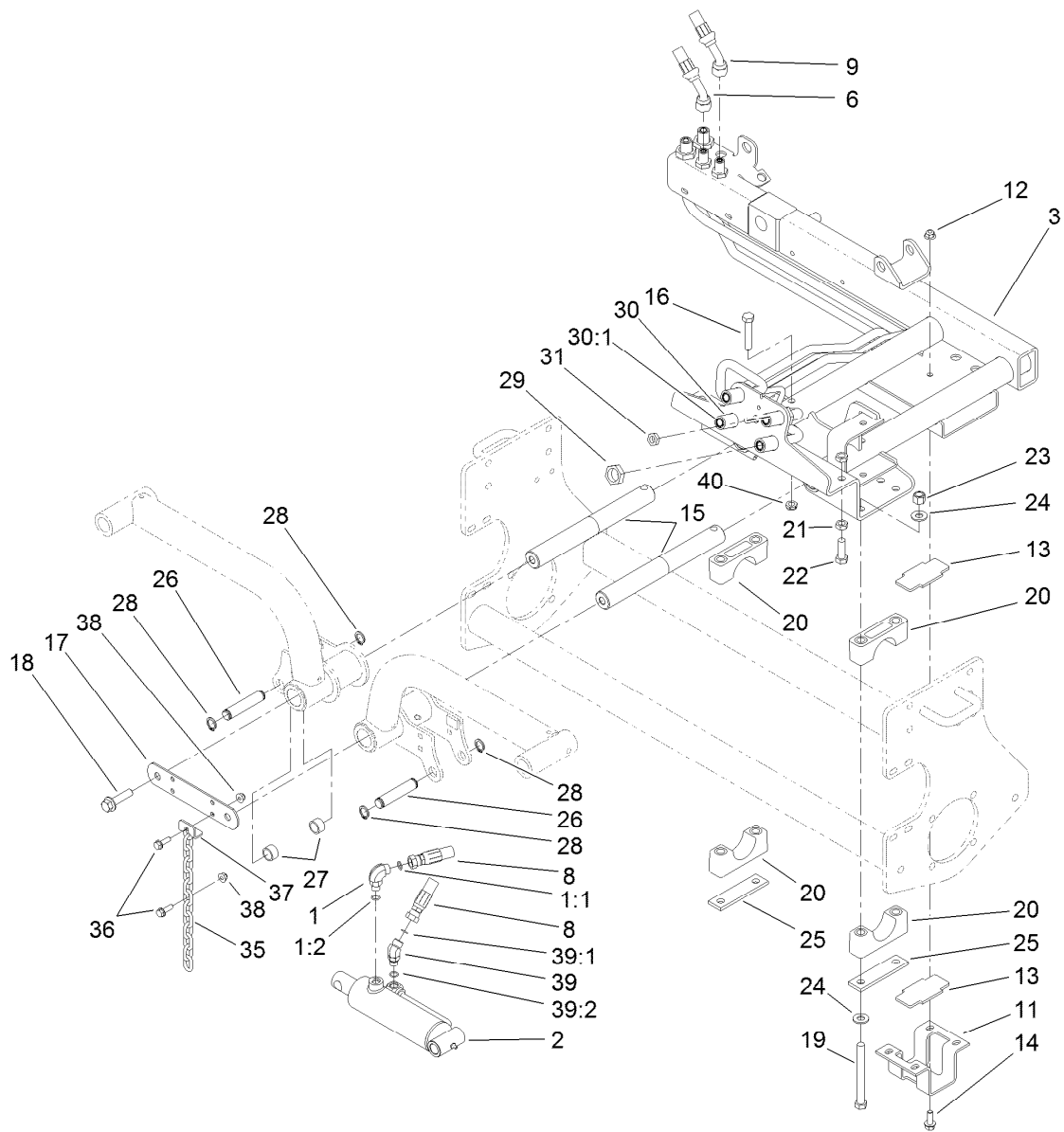


## Gear Pump Assembly No. 95-8601

<i>Ref.</i>	<i>Part Number</i>	<i>Qty.</i>	<i>Description</i>
1		1	Plate-Front ■
2		1	Plate-Back ■
3		1	Body ■
4	95-4364	1	Body
5		1	Gear-Drive ■
6		1	Gear-Idler ■
7	95-4366	1	Gear-Idler
9	95-4368	2	Plate-Wear
11	94-8158	8	Screw-Cap
12	94-8161	1	Seal Repair Kit ●
12		4	O-Ring ■
12:1	49-2640	1	Seal-Shaft
12:2	60-5890	1	Washer
12:5		4	O-Ring ■
12:6	94-8160	4	Washer
12:7	95-4369	2	Seal-Pressure
12:8	95-4367	2	Gasket-Backup
12:9	94-3011	1	Plug
13		1	Plate-Adapter ■
14		1	Key ■
16	95-4373	1	Gear-Fit, Slip
19	49-2640	1	Seal-Shaft
20	60-5890	1	Washer

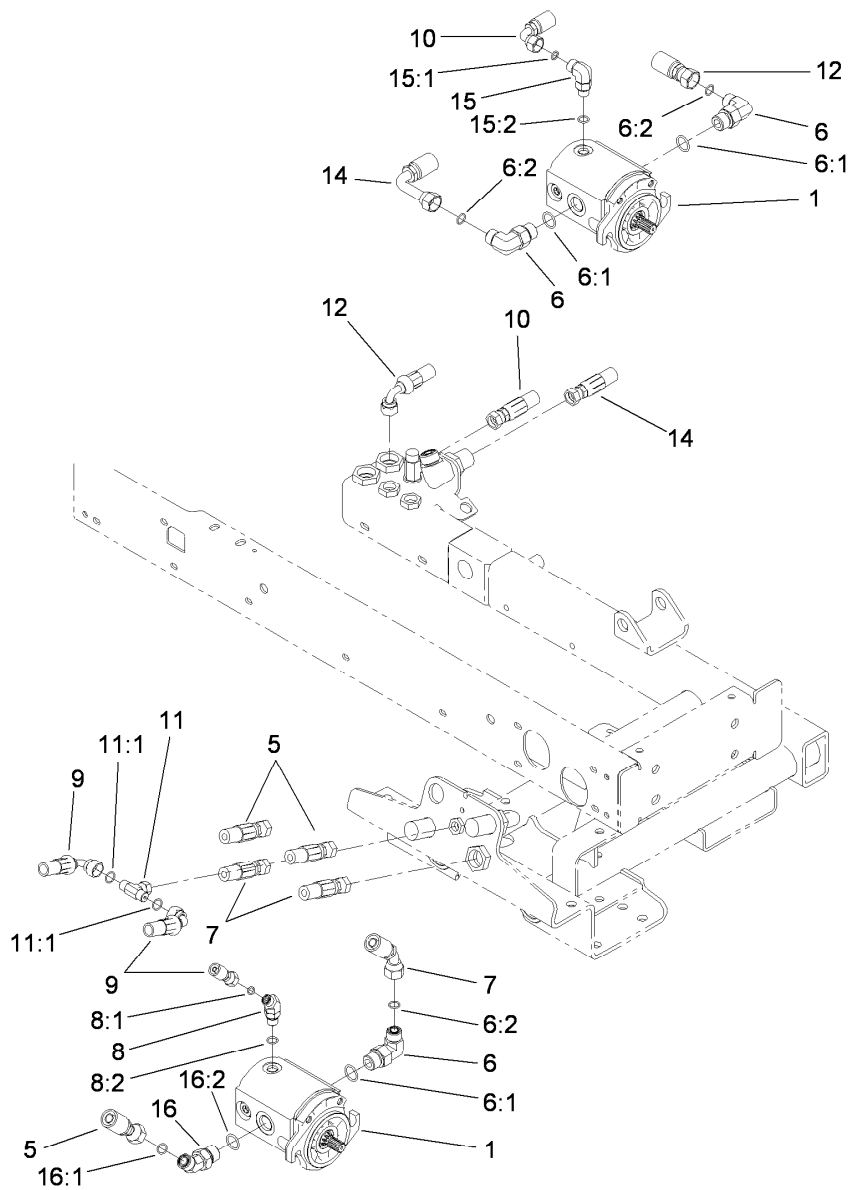
● Not illustrated

■ Not serviced separately



## Carrier Assembly

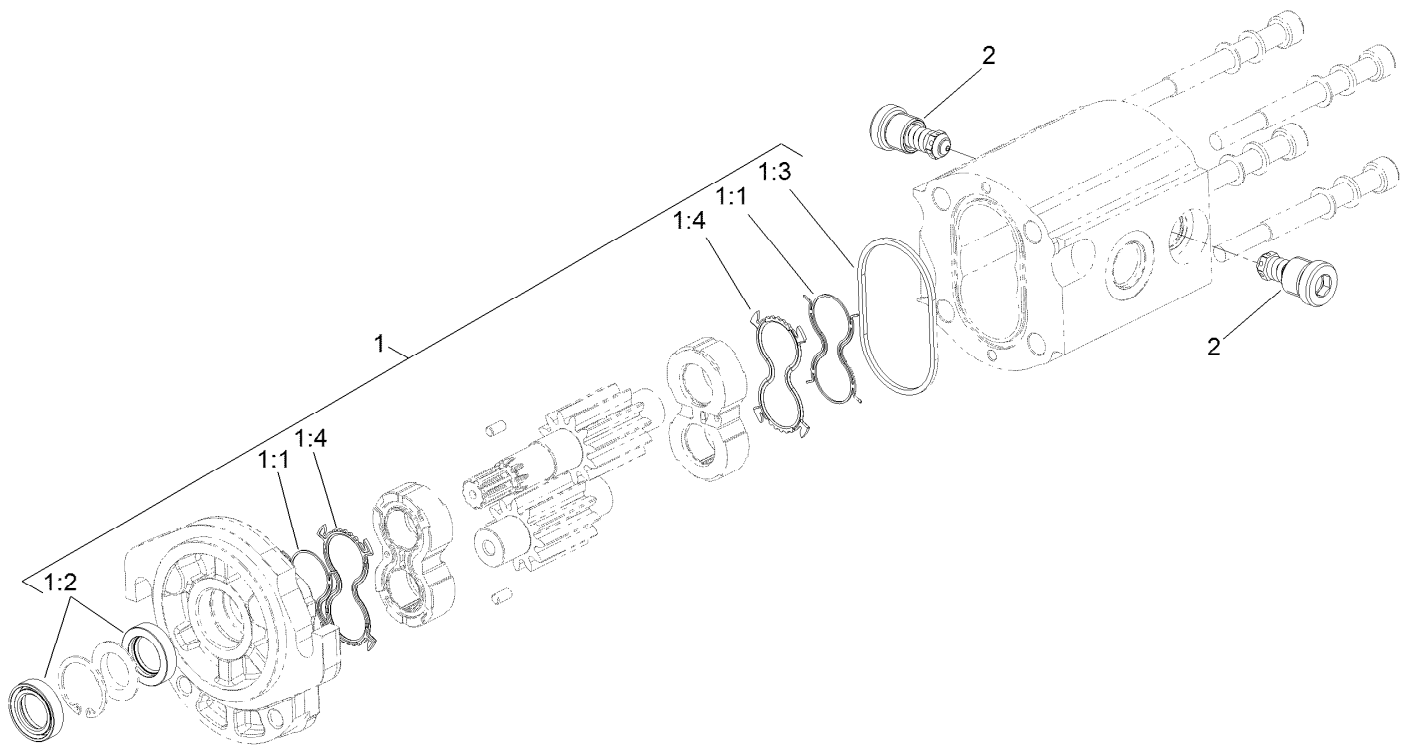
Ref.	Part Number	Qty.	Description	Ref.	Part Number	Qty.	Description
1	340-77	1	Fitting-Elbow, 90 DEG	22	325-7	2	Screw-HH
1:1	237-22	1	O-Ring	23	3296-23	4	Nut-Lock, NI
1:2	237-42	1	O-Ring	24	87-7270	8	Washer-Thrust
2	117-5109	1	HYD Cylinder ASM	25	99-3373	2	Bar-Support, Slide
3	100-4930-03	1	Carrier ASM	26	95-8575	2	Pin-Clevis
6	99-3575	1	Hose-HYD	27	75-9590	2	Spacer-Cylinder
8	117-5147	2	Hose-HYD	28	32120-93	4	Ring-Retaining
9	99-3579	1	Hose-HYD	29	340-74	4	Nut-Lock, Bulkhead
11	95-8904-03	1	Bracket-Clamp	30	99-3640	1	Tube ASM
12	32128-43	4	Nut-Flange	30:1	237-65	2	O-Ring
13	95-8538	1	Slide-Plastic	31	340-78	1	Nut-Lock
14	3234-11	4	Screw-HHF	35	98-7981	2	Chain-Link, Straight
15	95-8531	2	Shaft-Pivot, Liftarm	36	3234-17	4	Screw-HHF
16	325-10	2	Screw-HH	37	99-3550	2	Clip-Link
17	95-8532-03	1	Link-Shaft, Pivot	38	104-8300	4	Nut-HF, NI
18	3234-27	2	Screw-HHF	39	340-87	1	Fitting-Elbow, 45 DEG
19	325-19	4	Screw-HH	39:1	237-22	1	O-Ring
20	95-8884	4	Clamp	39:2	237-42	1	O-Ring
21	3218-5	4	Nut-Jam	40	3296-45	2	Nut-Hex



## Reel Motor Assembly

Ref.	Part Number	Qty.	Description	Ref.	Part Number	Qty.	Description
1	115-8250	3	Gear Motor ASM	11	99-3477	1	Fitting-Tee
5	117-5142	2	Hose-HYD	11:1	237-42	2	O-Ring
6	340-105	4	Fitting-Elbow, 90 DEG	12	117-5146	1	Hose-HYD
6:1	237-80	1	O-Ring	14	117-5145	1	Hose-HYD
6:2	237-30	1	O-Ring	15	340-77	1	Fitting-Elbow, 90 DEG
7	117-5143	2	Hose-HYD	15:1	237-22	1	O-Ring
8	340-137	2	Fitting	15:2	237-42	1	O-Ring
8:1	237-21	1	O-Ring	16	340-89	2	Fitting-HYD, 45 DEG
8:2	237-42	1	O-Ring	16:1	237-30	1	O-Ring
9	117-5144	2	Hose-HYD	16:2	237-80	1	O-Ring
10	114-5500	1	Hose-HYD				

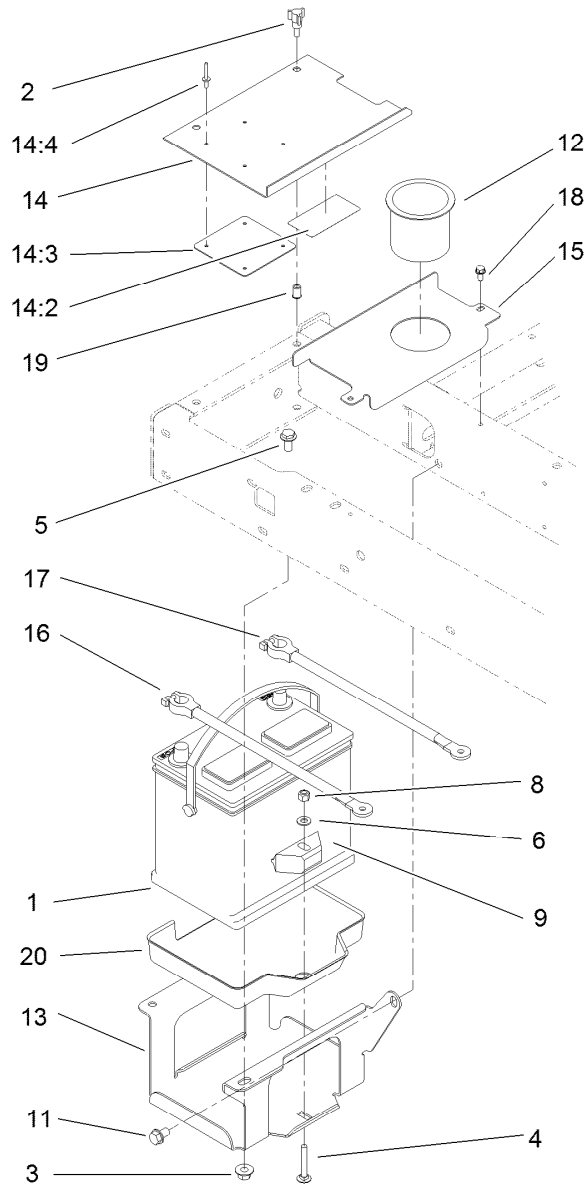




## Gear Motor Assembly No. 115-8250

<i>Ref.</i>	<i>Part Number</i>	<i>Qty.</i>	<i>Description</i>
1	125-1682	1	Motor Seal Kit
1:1		2	Seal-Anti Extrusion ●
1:2		2	Seal-Shaft ●
1:3		1	Seal-Quad ●
1:4		2	Seal ●
2	117-5107	2	Valve-Check

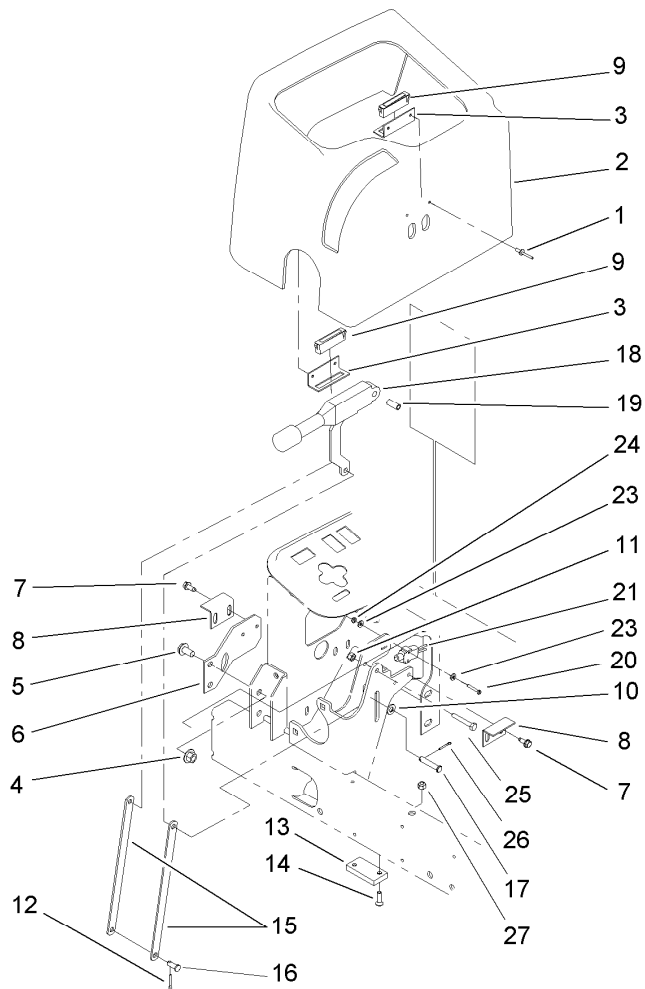
● Not serviced separately



## Battery Assembly

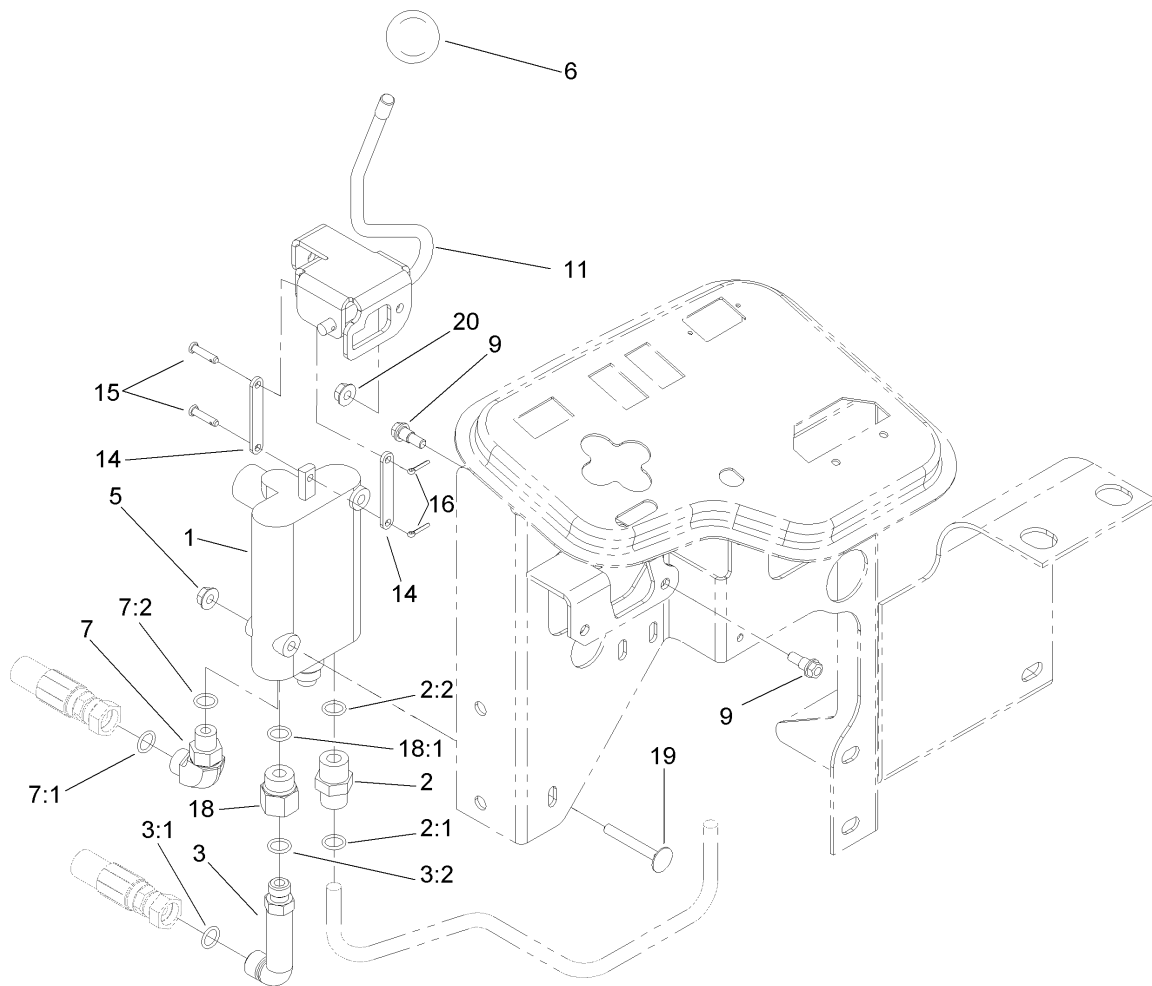
<i>Ref.</i>	<i>Part Number</i>	<i>Qty.</i>	<i>Description</i>	<i>Ref.</i>	<i>Part Number</i>	<i>Qty.</i>	<i>Description</i>
1	104-9979	1	Battery	14		1	Battery Cover ASM ●
2	233-70	2	Knob-Star, Three	14:2	93-7276	1	Decal-Danger
3	32128-43	3	Nut-Flange	14:3	87-7620	1	Shield-Terminal, Battery
4	3230-6	1	Bolt-CARR	14:4	3269-27	4	Rivet-Snap
5	3234-1	3	Screw-HHF	15	95-8817-01	1	Cover-Battery, Inner
6	3256-23	1	Washer-Plain	16	95-8853	1	Cable-Battery, Positive
8	3296-29	1	Nut-Lock, NI	17	95-8854	1	Cable-Battery, Negative
9	66-2490	1	Retainer-Battery	18	32144-4	2	Screw-HWH
11	32144-15	1	Screw-HHFTF	19	32148-6	2	Nut-Clinch
12	94-1410	1	Holder-Can, Beverage	20	99-3513	1	Tray-Battery
13	95-8796-03	1	Support-Battery				

● Not serviced separately



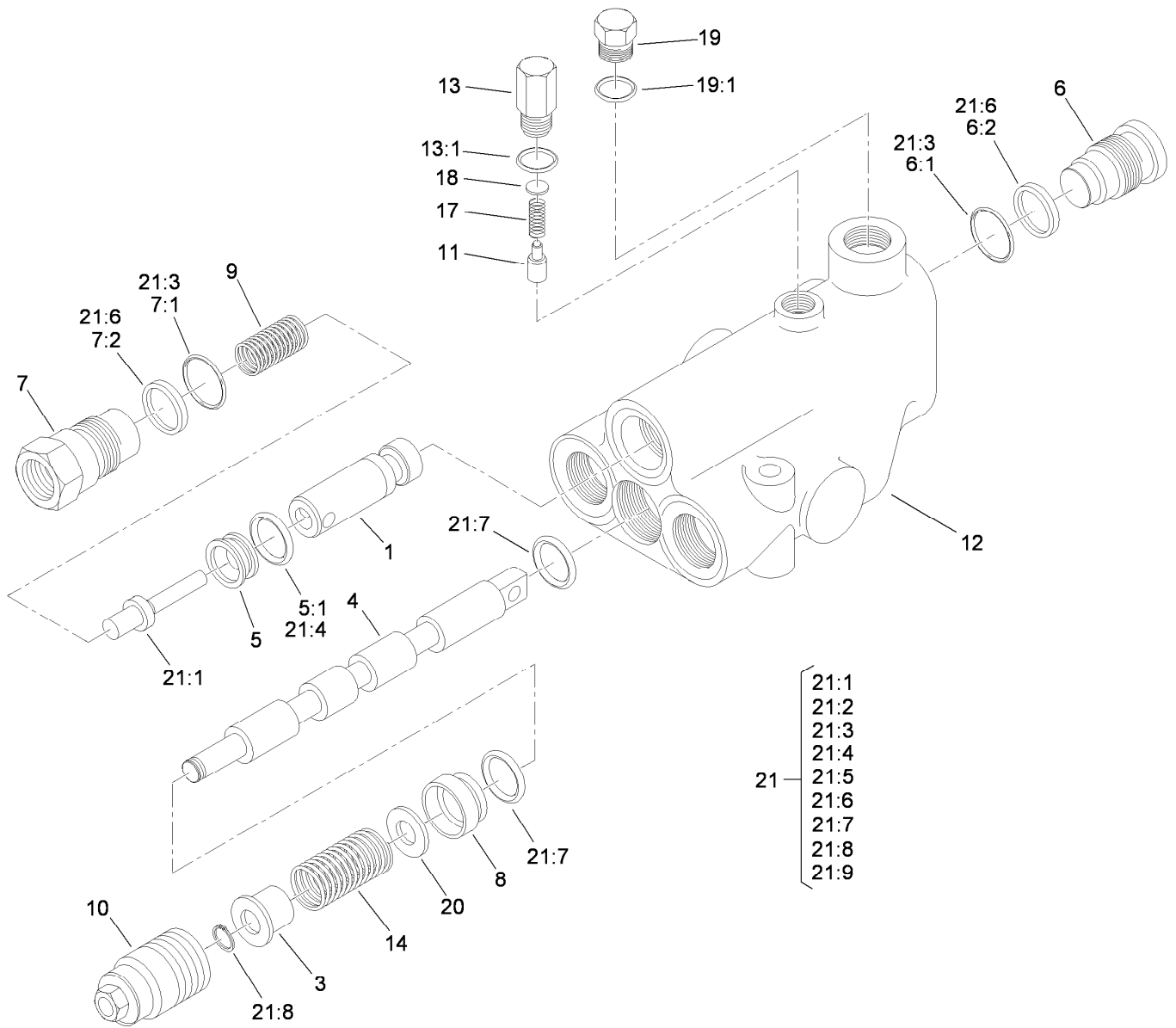
## Parking Brake Assembly

<i>Ref.</i>	<i>Part Number</i>	<i>Qty.</i>	<i>Description</i>	<i>Ref.</i>	<i>Part Number</i>	<i>Qty.</i>	<i>Description</i>
1	3269-5	4	Rivet-Pop	14	3289-4	2	Screw-FH
2	95-8707	1	Cover-Dash	15	104-4628-03	2	Link-Brake, Parking
3	95-8763	2	Bracket-Hold Down, Cover	16	283-62	1	Pin-Clevis
4	32128-43	2	Nut-Flange	17	94-3829	1	Pin-Clevis
5	3234-1	2	Screw-HHF	18	104-4817	1	Lever-Brake
6	95-8764-03	1	Support-Magnet	19	87-4710	1	Spacer-Brake, Parking
7	32144-10	4	Screw-HWH	20	32105-9	2	Screw
8	95-8765	2	Bracket-Strike, Magnet	21	95-8900	1	Switch
9	58-4250	2	Catch-Magnetic	23	3256-21	4	Washer-Flat
10	3256-23	3	Washer-Plain	24	3296-9	2	Nut-Hex
11	3296-42	1	Nut-Lock, NI	25	321-10	1	Screw-HH
12	3272-10	1	Pin-Cotter	26	3272-6	1	Pin-Cotter
13	95-8684	1	Pad-Bumper	27	32128-32	2	Nut-HHF



## Control Valve Assembly

Ref.	Part Number	Qty.	Description
1	95-8689	1	Single Spool Control Valve ASM
2	340-3	1	Fitting-Straight
2:1	237-22	1	O-Ring
2:2	237-79	1	O-Ring
3	69-4320	1	Fitting-HYD, 90 DEG
3:1	237-22	1	O-Ring
3:2	237-42	1	O-Ring
5	32128-33	2	Nut-HF
6	233-42	1	Knob
7	340-77	1	Fitting-Elbow, 90 DEG
7:1	237-22	1	O-Ring
7:2	237-42	1	O-Ring
9	42-3560	2	Bolt-Shoulder
11	95-8692	1	Lever ASM
14	95-8634	2	Link
15	283-16	2	Pin-Clevis
16	3272-1	2	Pin-Cotter
18	353-397	1	Reducer-Adapter
18:1	237-79	1	O-Ring
19	3230-33	2	Screw-CARR
20	32128-32	2	Nut-HHF

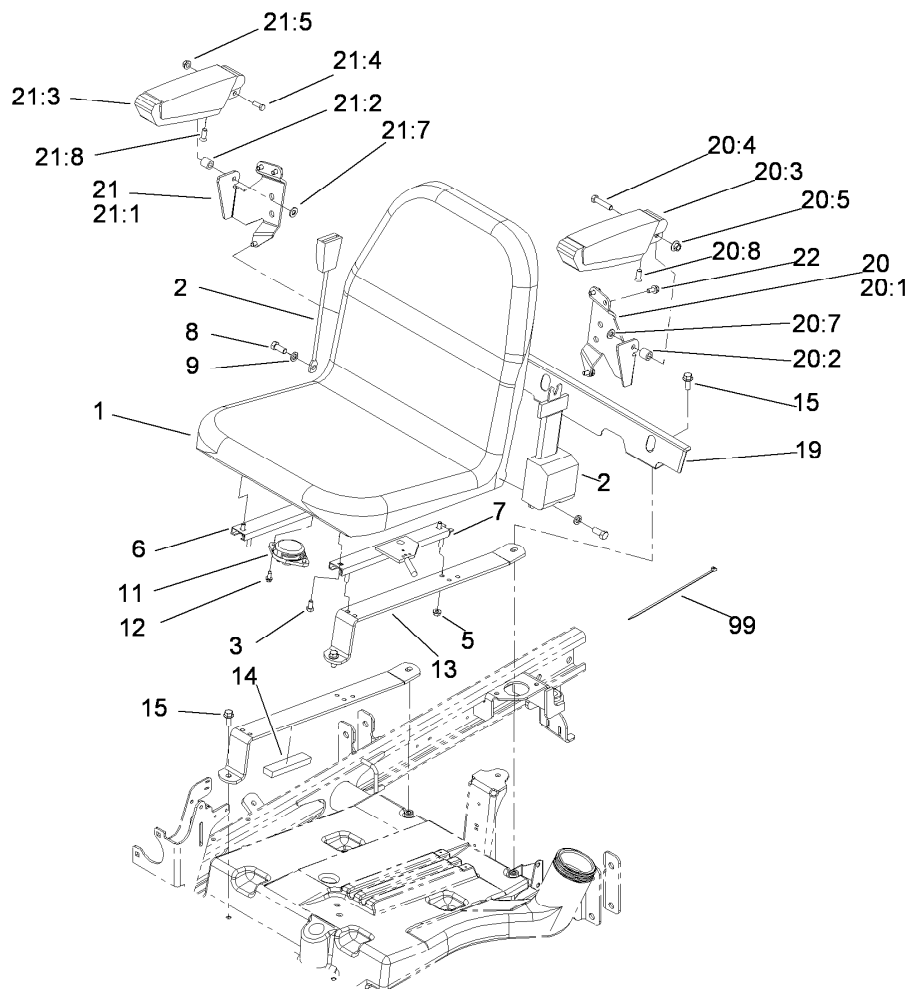


## Single Spool Control Valve Assembly No. 95-8689

Ref.	Part Number	Qty.	Description
1	99-3586	1	Plunger
3	58-6310	1	Spacer
4		1	Spool ●
5	58-6330	1	Seat
5:1	58-6340	1	O-Ring
6	58-6350	1	Plug
6:1	60-5720	1	O-Ring
6:2	58-6370	1	Washer
7	69-1800	1	Plug ASM
7:1	60-5720	1	O-Ring
7:2	58-6370	1	Washer
8	58-6400	1	Bushing
9	69-1810	1	Spring
10	58-6420	1	Cap
11	99-3585	1	Detent-Plunger
12		1	Body ●
13	99-3588	1	Plug ASM

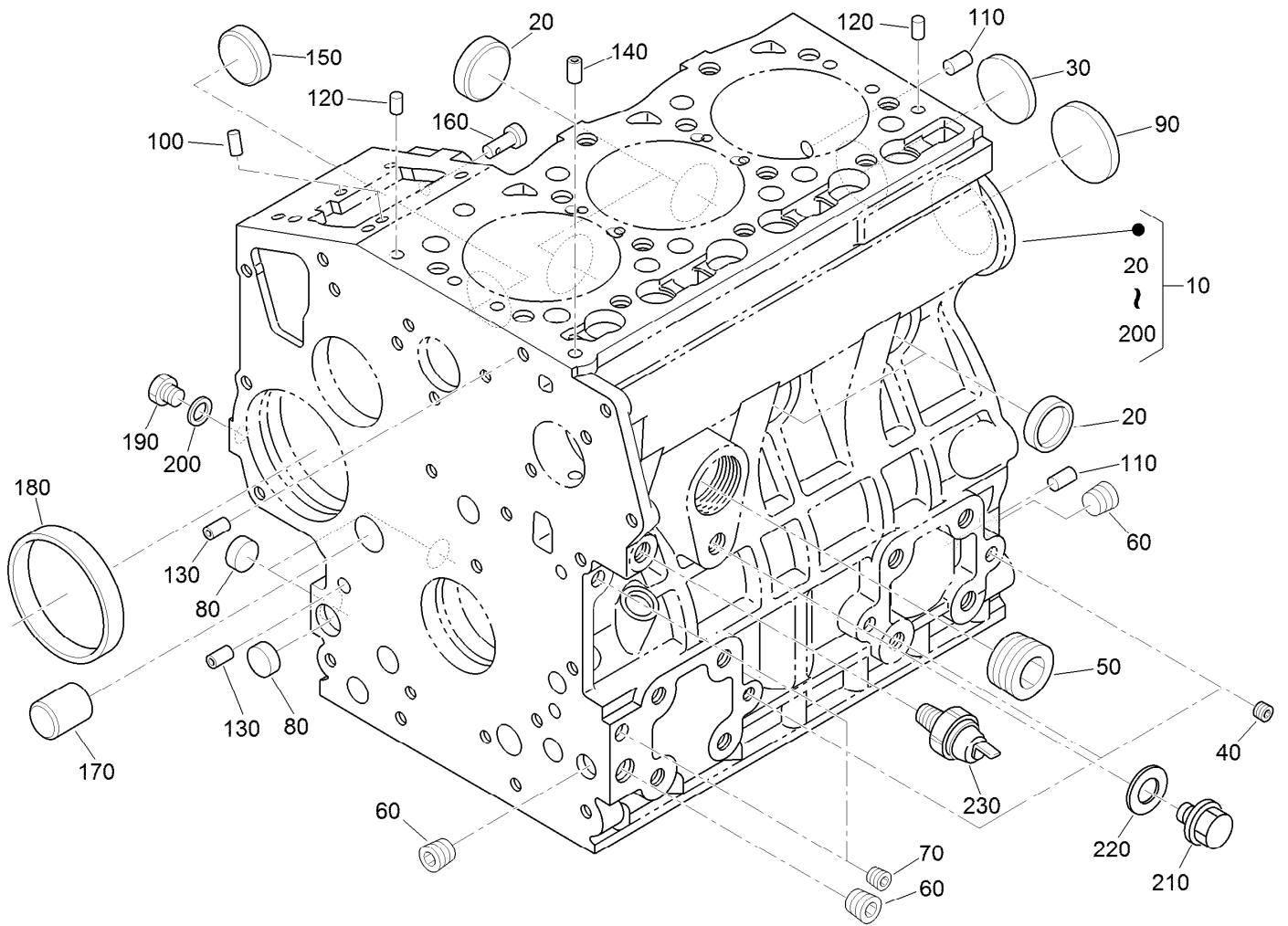
Ref.	Part Number	Qty.	Description
13:1	60-6410	1	O-Ring
14	99-3531	1	Spring
17	99-3587	1	Spring
18	60-6450	1	Disc
19	353-989	1	Plug-Hex, Hollow
19:1	237-42	1	O-Ring
20	65-2770	1	Washer
21	99-3589	1	Seal Kit
21:1	58-6290	2	Poppet
21:2	58-6320	1	Wiper
21:3	60-5720	2	O-Ring
21:4	58-6340	2	O-Ring
21:5	93-6314	1	O-Ring
21:6	58-6370	2	Washer
21:7	58-6450	2	O-Ring
21:8	58-6460	1	Ring-Retaining
21:9		1	O-Ring ●

● Not serviced separately



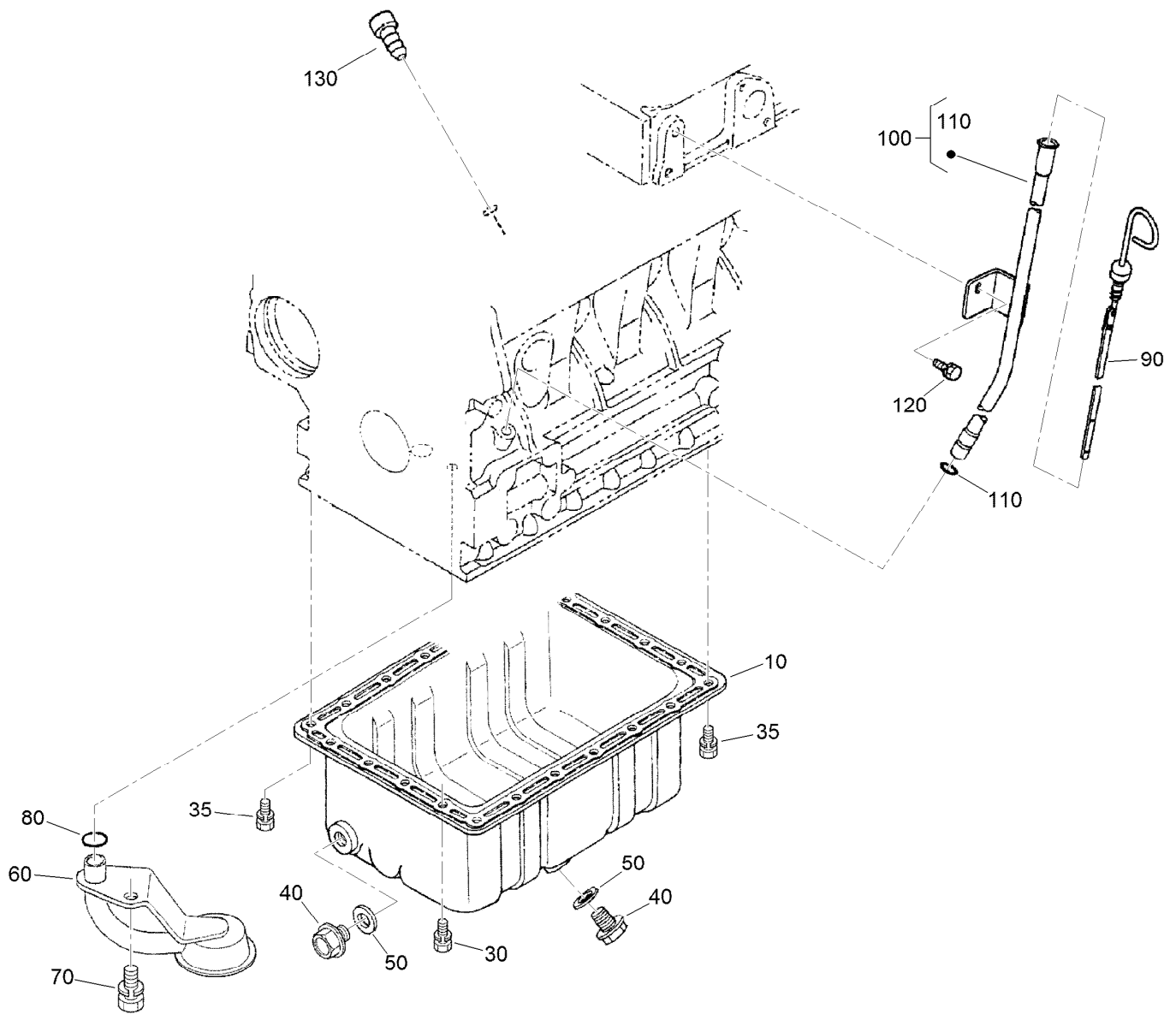
## Seat Assembly

<i>Ref.</i>	<i>Part Number</i>	<i>Qty.</i>	<i>Description</i>	<i>Ref.</i>	<i>Part Number</i>	<i>Qty.</i>	<i>Description</i>
1	104-4620	1	Seat	20:2	92-7301	1	Spacer
2	100-4928	1	Belt-Seat	20:3	69-1180	1	Armrest
3	3234-14	4	Screw-HHF	20:4	323-9	1	Screw-HH
5	104-8300	4	Nut-HF, NI	20:5	32128-19	1	Nut-HF
6	92-8990	1	Adjuster-Slave	20:7	3256-24	1	Washer-Flat
7	92-8991	1	Adjuster (W/Latch)	20:8	92-7318	1	Screw
8	3212-4	2	Screw-HH	21	92-7306	1	RH Armrest ASM
9	3253-6	2	Washer-Lock	21:1	69-0770	1	Bracket-Arm, RH
11	92-6282	1	Switch-Seat	21:2	92-7301	1	Spacer
12	32144-10	2	Screw-HWH	21:3	69-1180	1	Armrest
13	104-4847-03	2	Strap-Support, Seat	21:4	323-9	1	Screw-HH
14	95-8896	2	Foam	21:5	32128-19	1	Nut-HF
15	3234-11	4	Screw-HHF	21:7	3256-24	1	Washer-Flat
19	104-4833-03	1	Shield-Heat	21:8	92-7318	1	Screw
20	92-7307	1	LH Armrest ASM	22	3234-14	6	Screw-HHF
20:1	69-0760	1	Bracket-Arm, LH	99	3290-378	1	Tie-Cable



## Crankcase Assembly

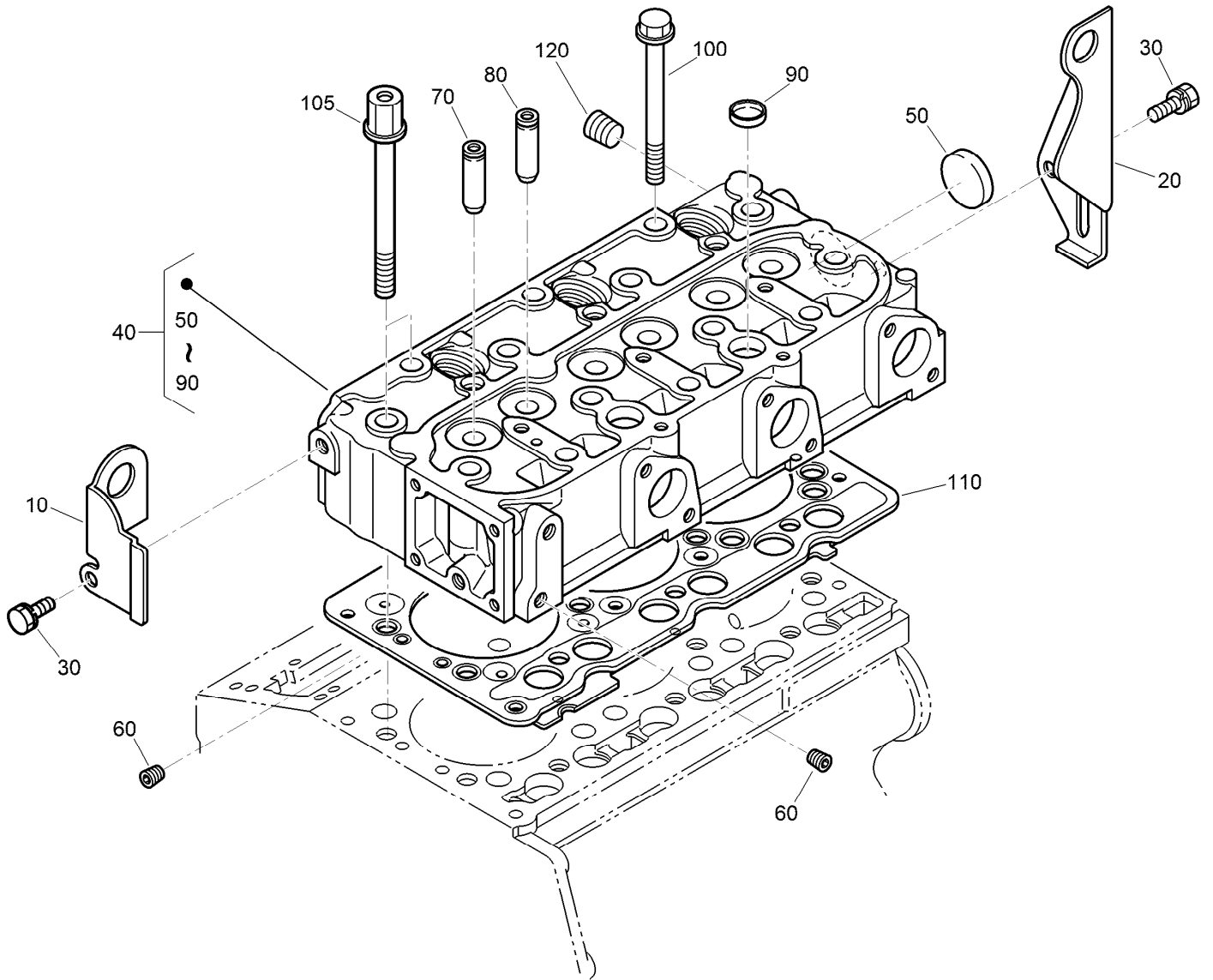
<i>Ref.</i>	<i>Part Number</i>	<i>Qty.</i>	<i>Description</i>	<i>Ref.</i>	<i>Part Number</i>	<i>Qty.</i>	<i>Description</i>
10	115-3443	1	Crankcase ASM	130	98-9387	2	Pin-Pipe
20	98-9398	4	Cap-Sealing	140	98-9539	1	Pin-Pipe
30	98-7539	1	Cap-Sealing	150	98-9599	1	Plug
40	98-9687	3	Plug	160	98-9630	1	Pin-Spring, Start
50	105-3779	1	Plug	170	98-9675	1	Plug
60	98-9597	3	Plug	180	98-9656	1	Bushing-Governor, Gear
70	98-7487	2	Plug	190	120-2559	1	Plug
80	98-9379	3	Plug-Expansion	200	98-7428	1	Gasket
90	98-9668	1	Plug-Expansion	210	99-3447	1	Plug
100	98-9375	2	Pin-Straight	220	106-7056	1	Gasket
110	98-9377	2	Pin-Straight	230	98-9416	1	Switch-Oil
120	98-9376	2	Pin-Straight				



## Oil Pan and Dipstick Assembly

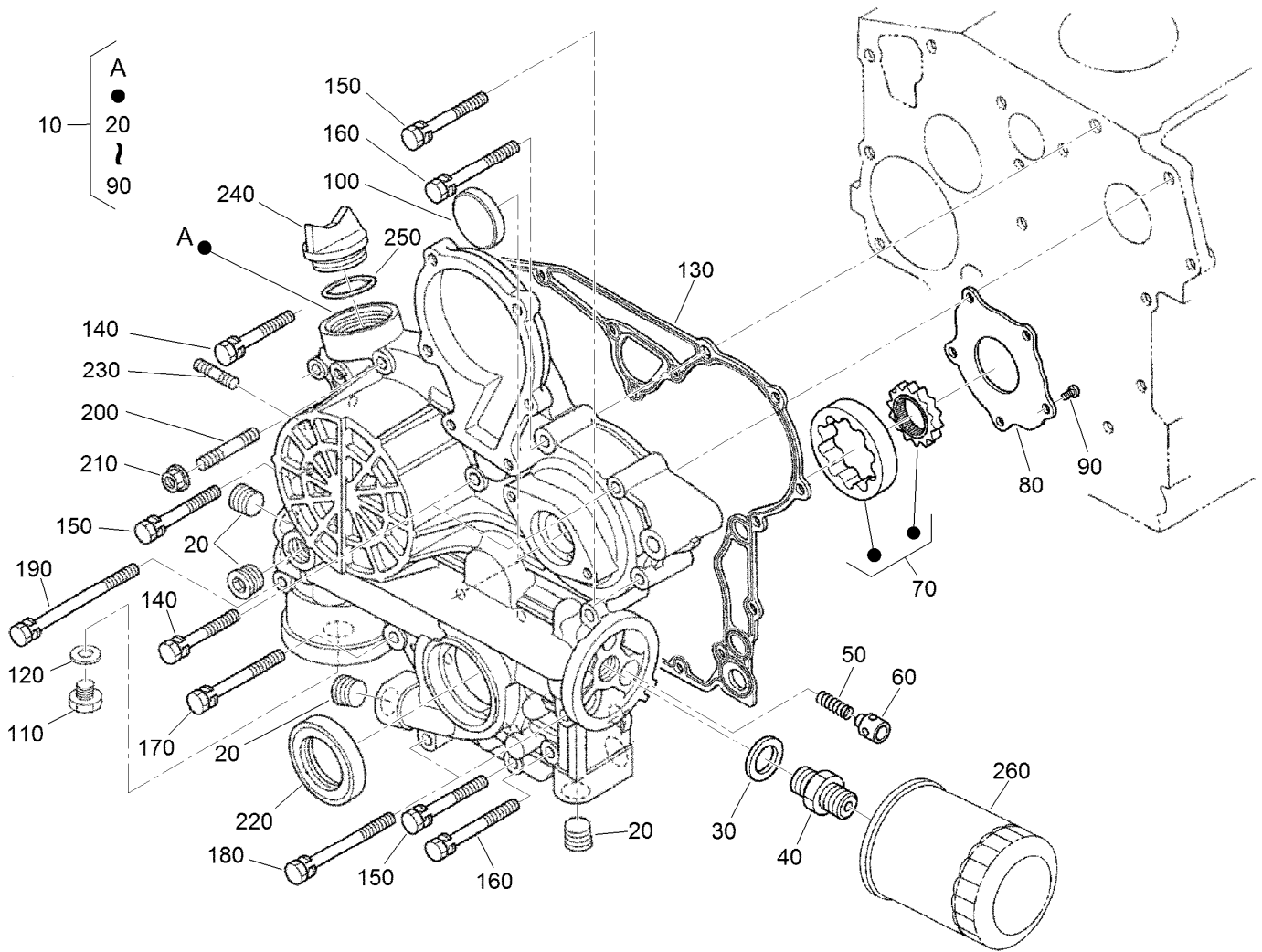
<i>Ref.</i>	<i>Part Number</i>	<i>Qty.</i>	<i>Description</i>
10	98-9685	1	Pan-Oil
30	98-9351	20	Bolt
35	98-9351	2	Bolt
40	114-8151	1	Plug-Drain
50	98-7524	1	Gasket
60	108-1401	1	Base-Filter
70	98-7526	1	Bolt
80	105-3776	1	O-Ring
90	98-9670	1	Gauge-Oil
100	98-9672	1	Oil Gauge Guide ASM
110	98-9722	1	O-Ring
120	100-9195	1	Bolt
130	110-3720	1	Plug-Gauge, Oil





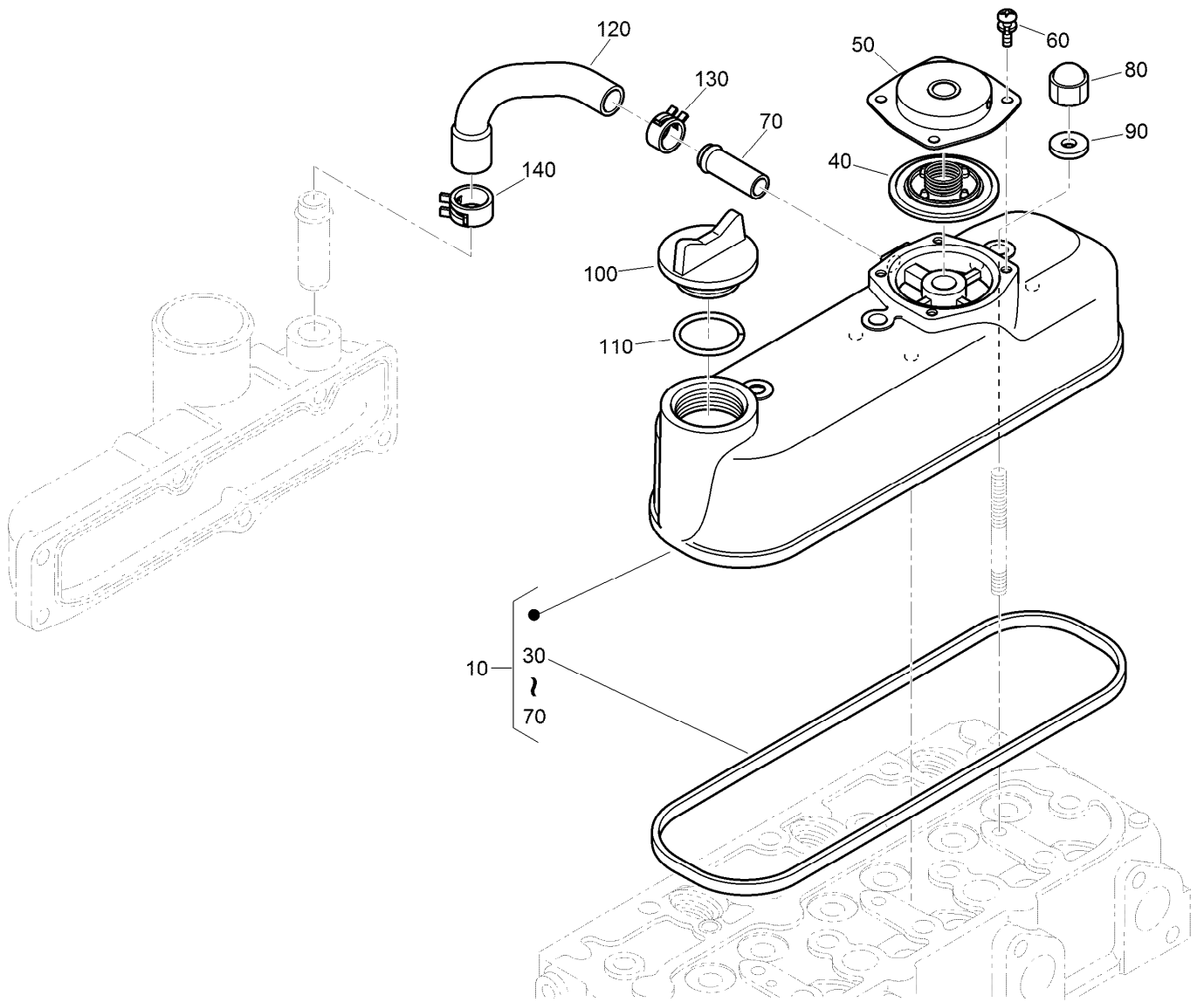
## Cylinder Head Assembly

Ref.	Part Number	Qty.	Description
10	130-1231	1	Hook-Engine
20	98-9478	1	Hook-Engine
30	100-9195	2	Bolt
40	130-1504	1	Cylinder Head ASM
50	105-3705	1	Cap-Sealing
60	98-9687	2	Plug
70	107-9066	3	Guide-Valve, Inlet
80	107-9067	3	Guide-Valve, Exhaust
90	98-9389	2	Cap-Sealing
100	98-9479	12	Bolt-Head, Cylinder
105	98-9647	2	Bolt-Head, Cylinder
110	108-6573	1	Gasket-Head, Cylinder
120	98-9444	1	Plug



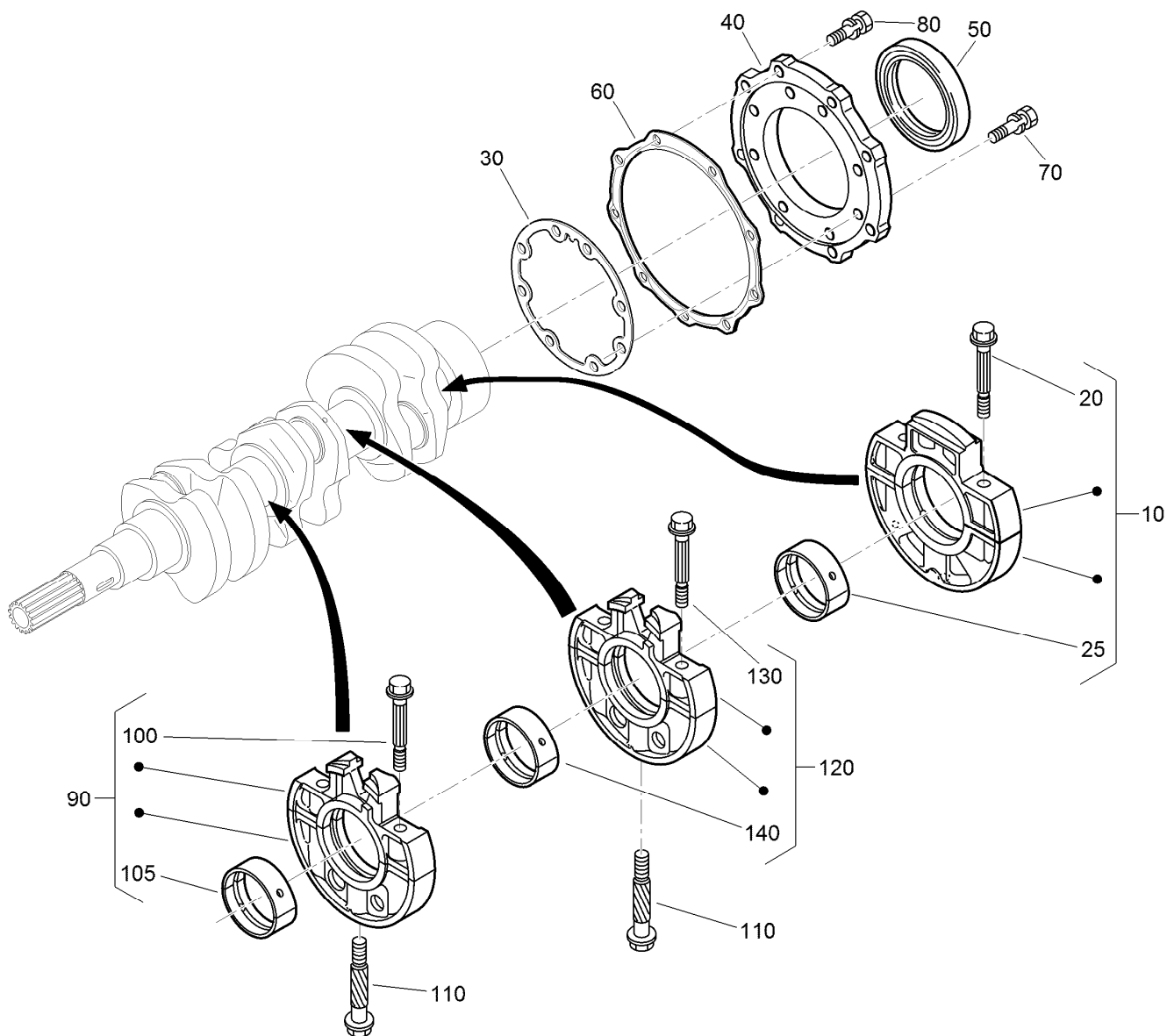
## Gear Case and Oil Filter Cartridge Assembly

<i>Ref.</i>	<i>Part Number</i>	<i>Qty.</i>	<i>Description</i>	<i>Ref.</i>	<i>Part Number</i>	<i>Qty.</i>	<i>Description</i>
10	130-1500	1	Gear Case ASM	140	100-1765	3	Bolt
20	98-9598	5	Plug	150	125-9063	4	Bolt-Sems
30	98-7562	1	Washer-Plain	160	98-9356	2	Bolt
40	98-9388	1	Joint-Pipe	170	98-9437	1	Bolt
50	130-1511	1	Spring	180	98-9586	2	Bolt
60	130-1510	1	Valve-Relief	190	99-3511	1	Bolt
70	130-1508	1	Rotor ASM	200	105-3709	1	Stud
80	130-1509	1	Cover-Pump, Oil	210	100-2203	1	Nut-Flange
90	130-1164	5	Screw-Binding	220	119-8038	1	Seal-Oil
100	98-9641	1	Cover-Case, Gear	230	105-3710	2	Stud
110	99-3450	1	Plug	240	107-9075	1	Plug-Filler, Oil
120	99-3451	1	Plug-Packing	250	99-3446	1	O-Ring
130	98-9633	1	Gasket-Case, Gear	260	127-0511	1	Filter-Oil



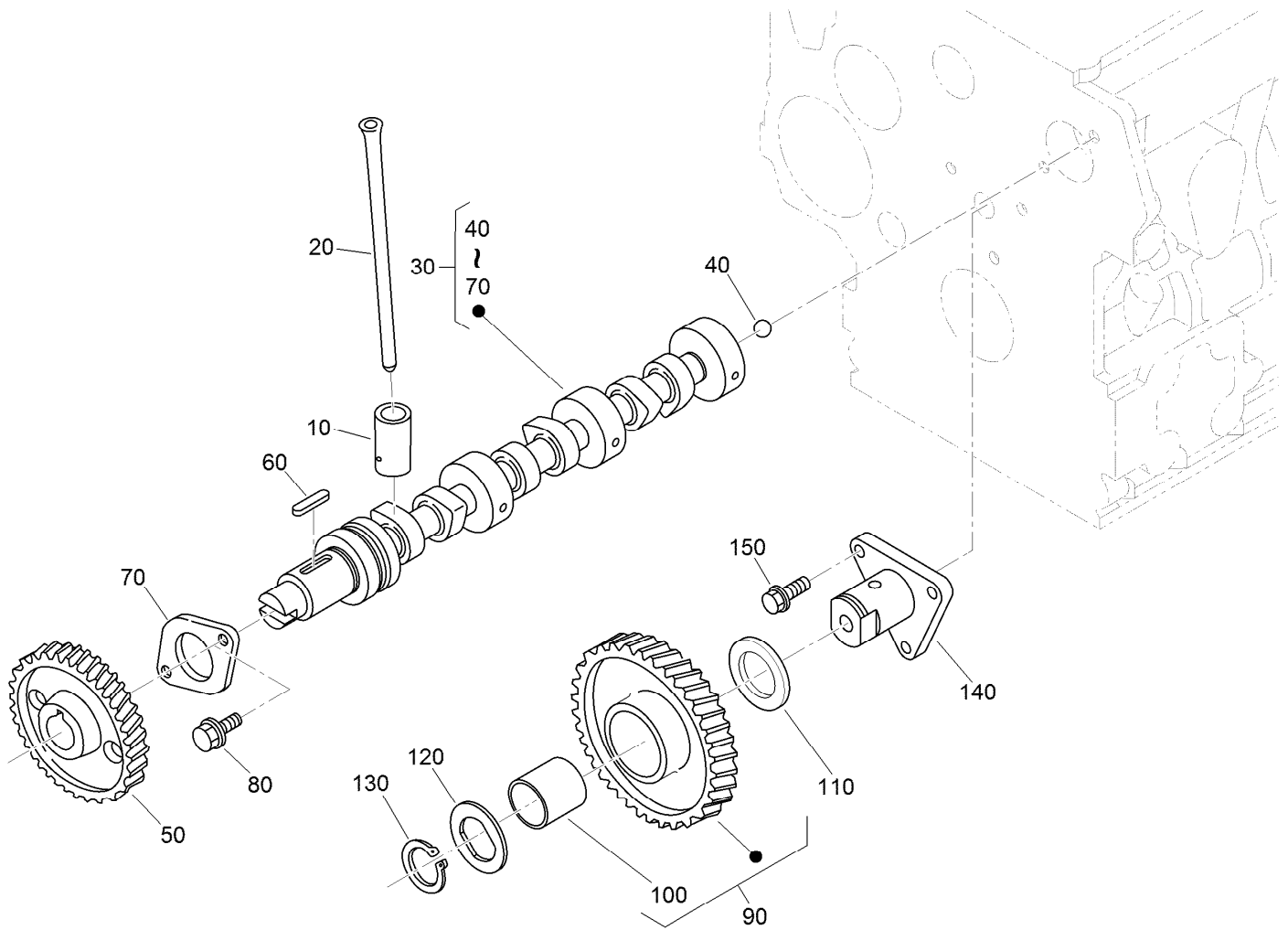
## Cylinder Head Cover Assembly

<i>Ref.</i>	<i>Part Number</i>	<i>Qty.</i>	<i>Description</i>
10	130-1372	1	Cylinder Head Cover ASM
30	130-1249	1	Gasket-Head Cover
40	110-3715	1	Valve-Breather
50	110-3714	1	Cover-Breather
60	98-9364	4	Screw (With Washer)
70	98-7766	1	Pipe-Return, Water
80	98-9455	3	Nut-Cap
90	98-9454	3	Gasket
100	107-9075	1	Plug-Filler, Oil
110	99-3446	1	O-Ring
120	107-7836	1	Tube-Breather
130	108-2859	1	Clamp-Hose
140	108-2860	1	Clamp-Hose



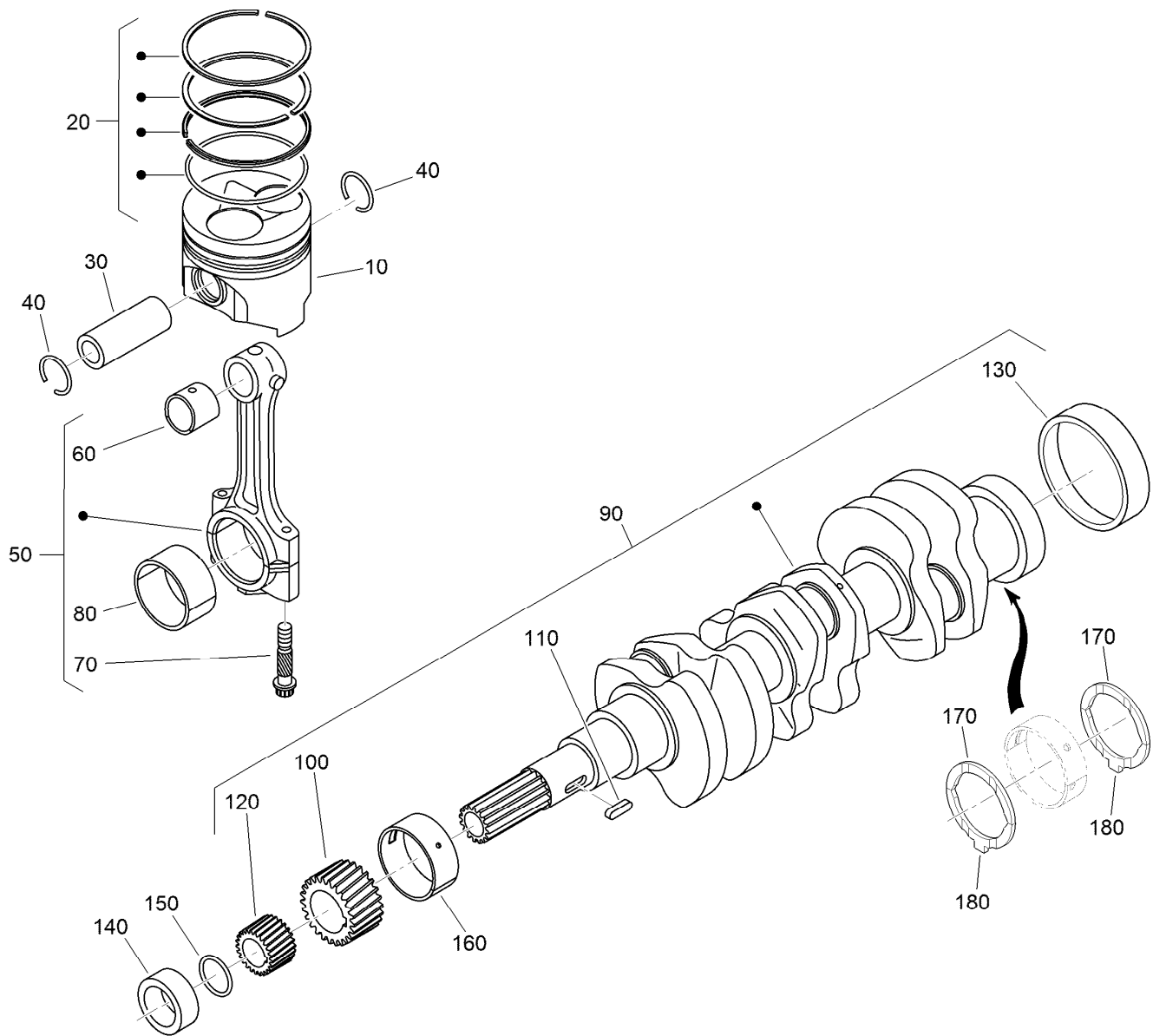
## Main Bearing Case Assembly

Ref.	Part Number	Qty.	Description	Ref.	Part Number	Qty.	Description
10	112-7026	1	Wheel Bearing Case ASM	90	115-4106	1	Main Bearing Case ASM
20	98-9484	2	Bolt-Case, Bearing	100	98-9484	2	Bolt-Case, Bearing
25	115-4121	1	Metal-Crankshaft (STD)	105	98-9524	1	Metal-Crankshaft (STD Set)
25	112-7039	1	Metal-Crankshaft (0.2Mm)	105	127-0433	1	Metal-Crankshaft (-0.2Mm)
25	112-7040	1	Metal-Crankshaft (-0.4Mm)	105	98-9531	1	Bearing-Main (0.4Mm)
30	127-0440	1	Gasket-Case, Bearing	110	98-9485	2	Bolt-Case, Bearing
40	112-7046	1	Cover-Case, Bearing	120	115-4107	1	Main Bearing Case ASM
50	112-0180	1	Seal-Oil	130	98-9484	2	Bolt-Case, Bearing
60	112-7037	1	Gasket-Cover, Case	140	98-9524	1	Metal-Crankshaft (STD Set)
70	127-0441	8	Bolt	140	127-0433	1	Metal-Crankshaft (-0.2Mm)
80	127-0442	9	Bolt	140	98-9531	1	Bearing-Main (0.4Mm)



## Camshaft and Idle Gear Shaft Assembly

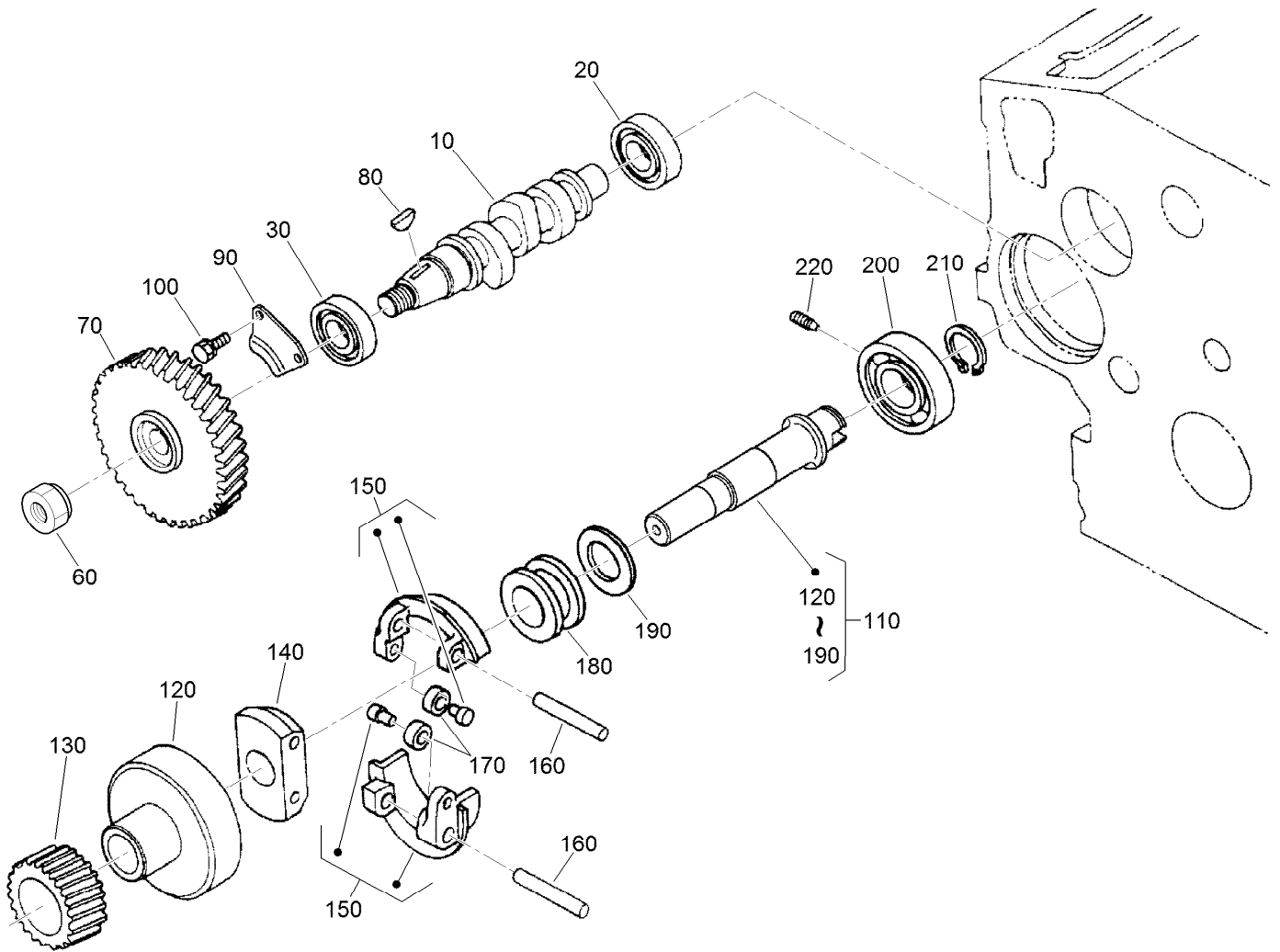
Ref.	Part Number	Qty.	Description
10	112-0185	6	Tappet
20	127-0421	6	Rod-Push
30	130-1505	1	Camshaft ASM
40	110-3729	1	Ball
50	98-9512	1	Gear-Cam
60	98-9378	1	Key-Feather
70	98-9510	1	Stopper-Camshaft
80	98-7692	2	Bolt
90	117-7584	1	Idler Gear ASM
100	117-7585	1	Bushing-Gear, Idle
110	98-9535	1	Collar-Gear, Idle
120	98-9536	1	Collar-Gear, Idle
130	98-9534	1	Circlip-Gear, Idle
140	98-9533	1	Shaft-Gear, Idle
150	98-7692	3	Bolt



## Piston and Crankshaft Assembly

Ref.	Part Number	Qty.	Description
10	130-1546	3	Piston (STD)
10	130-1549	3	Piston (+0.50Mm)
20	130-1506	3	Piston Ring ASM (STD)
20	130-1507	3	Piston Ring ASM (+0.50Mm)
30	98-9513	3	Pin-Piston
40	98-9514	6	Circlip-Pin, Piston
50	117-7586	3	Connecting Rod ASM
60	115-3014	3	Bushing-Pin, Piston
70	98-9517	6	Bolt-Rod, Connecting
80	98-9553	3	Bearing-Rod (STD)
80	117-7587	3	Metal-Crankpin (-0.2Mm)
80	117-7588	3	Metal-Crankpin (-0.4Mm)
90	130-1375	1	Crankshaft ASM
100	117-7561	1	Gear-Crankshaft

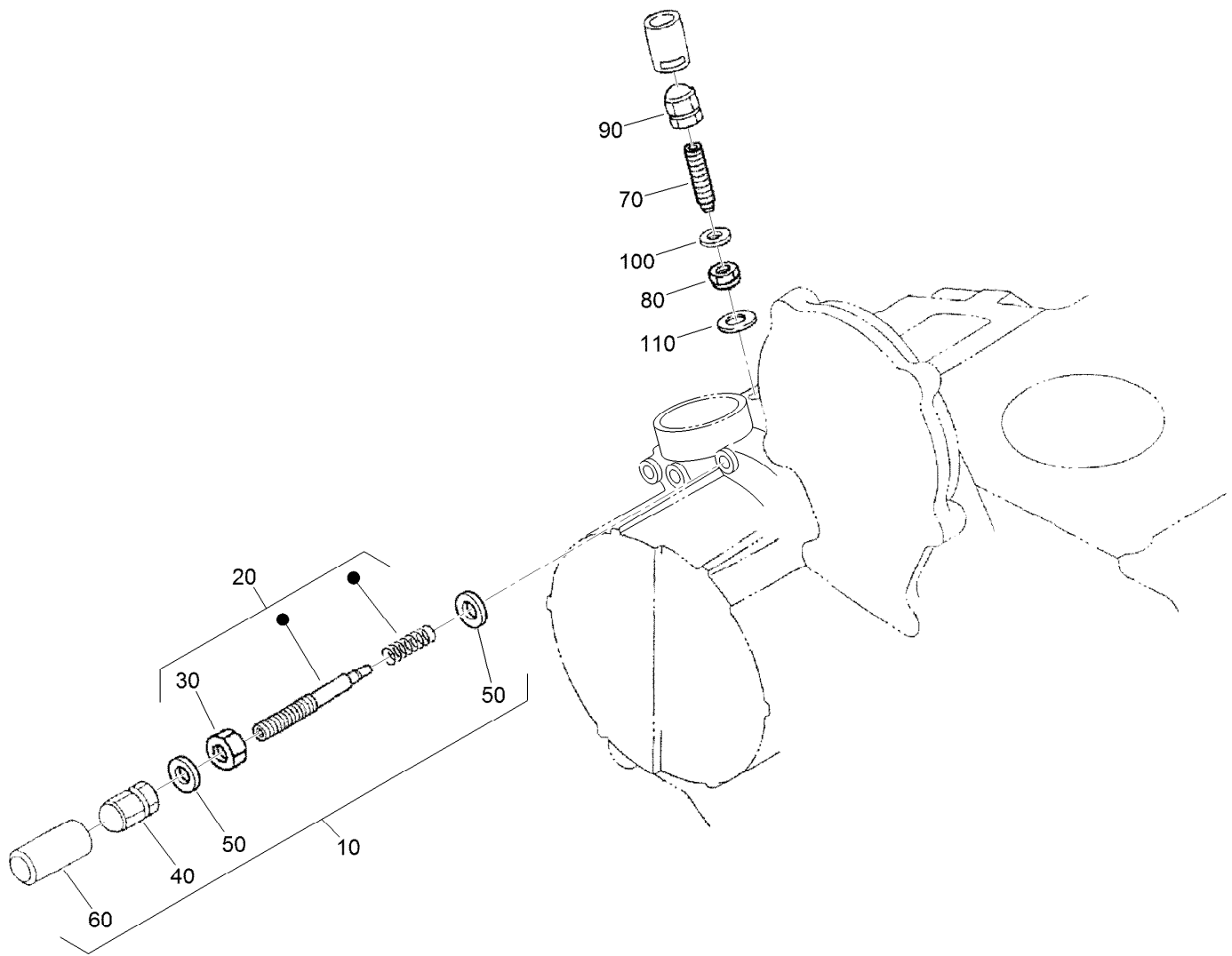
Ref.	Part Number	Qty.	Description
110	98-9666	1	Key
120	127-0445	1	Gear-Drive, Oil Pump
130	98-9522	1	Sleeve-Crankshaft
140	127-0444	1	Collar-Crankshaft
150	105-3783	1	O-Ring
160	112-7005	1	Bearing-Main (STD)
160	98-9528	1	Bearing-Main (-0.2Mm)
160	130-1274	1	Metal-Crankshaft (-0.40Mm)
170	98-9413	2	Bearing-Thrust (STD)
170	127-0416	2	Metal-Side (+0.2Mm)
170	127-0417	2	Metal-Side (+0.40Mm)
180	98-9688	2	Bearing-Thrust (STD)
180	127-0437	2	Metal-Side (+0.2Mm)
180	127-0438	2	Metal-Side (+0.40Mm)



## Fuel Camshaft and Governor Shaft Assembly

Ref.	Part Number	Qty.	Description
10	98-9459	1	Camshaft-Fuel
20	107-9077	1	Bearing-Ball
30	107-9078	1	Bearing-Ball
60	130-1512	1	Nut
70	130-1378	1	Gear-Injection Pump
80	98-9595	1	Key-Woodruff
90	98-9511	1	Stopper-Fuel, Camshaft
100	98-7692	2	Bolt
110	130-1255	1	Governor Shaft ASM
120	98-9562	1	Holder-Gear, Governor

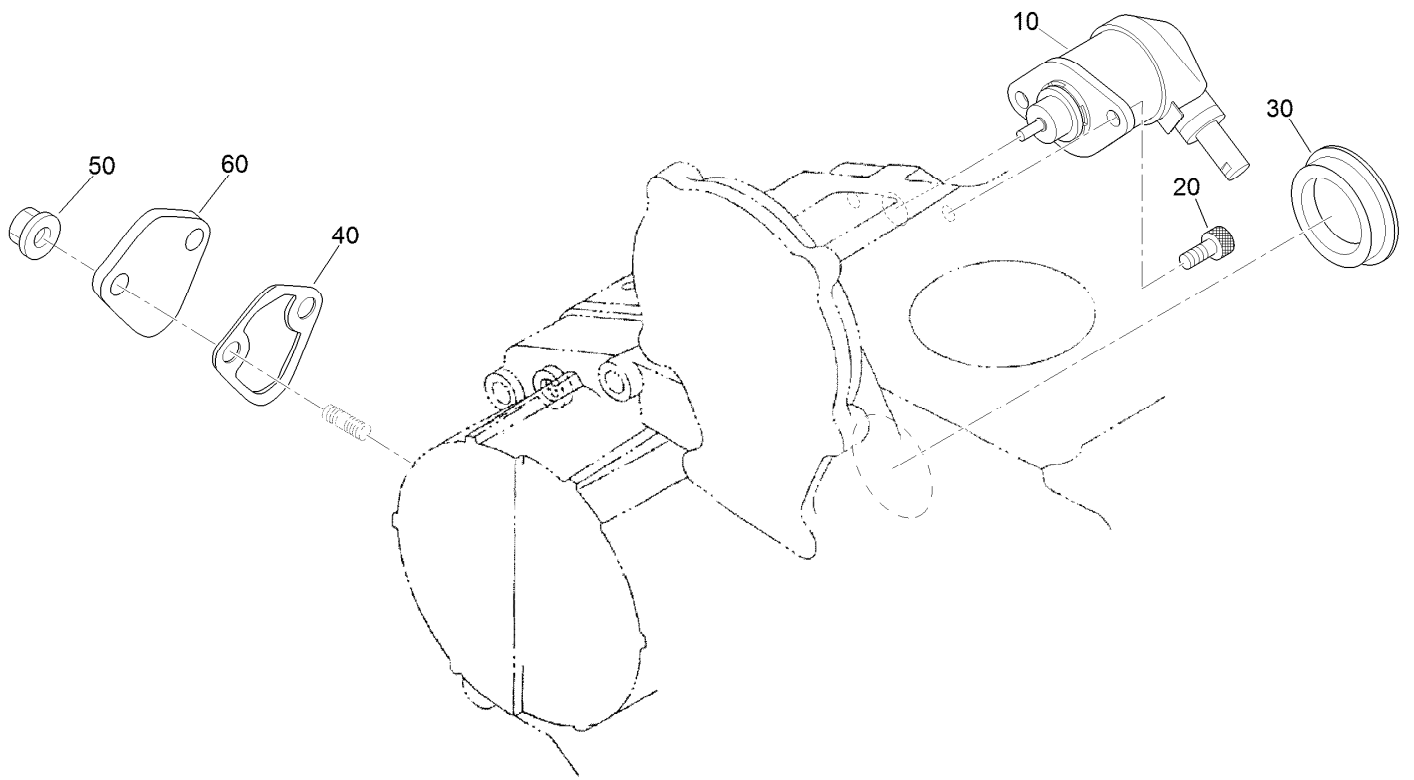
Ref.	Part Number	Qty.	Description
130	98-9673	1	Gear-Governor
140	98-9561	1	Holder-Weight, Governor
150	130-1240	2	Governor Weight ASM
160	98-9560	2	Shaft-Weight, Governor
170	98-9692	2	Roller
180	98-9563	1	Sleeve-Governor
190	98-9564	1	Washer-Thrust
200	107-9079	1	Bearing-Ball
210	98-9657	1	Circlip-Shaft, Governor
220	98-9565	1	Screw-Set



## Idle Apparatus Assembly

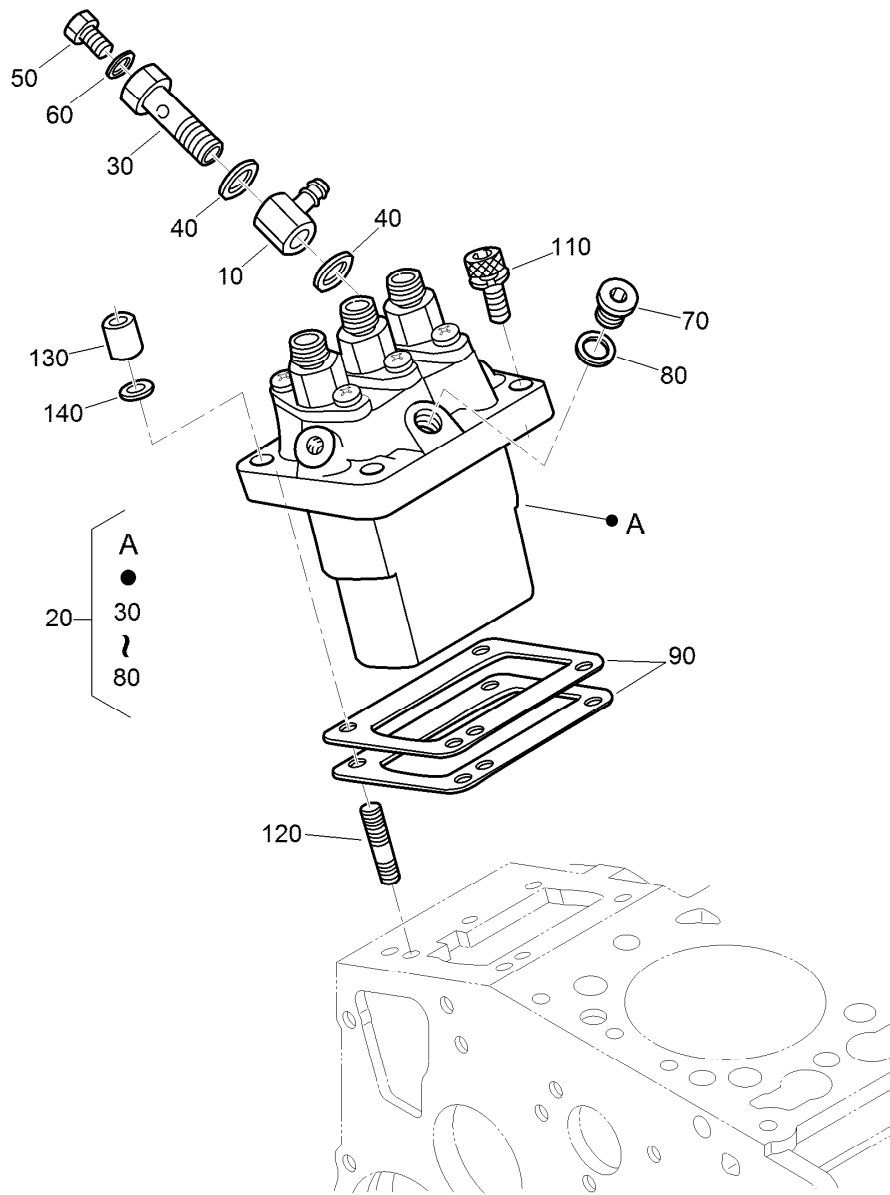
<i>Ref.</i>	<i>Part Number</i>	<i>Qty.</i>	<i>Description</i>
10	107-7838	1	Apparatus-Idling
20	130-1253	1	Adjusting Bolt ASM
30	98-9439	1	Nut
40	112-0181	1	Nut
50	98-7654	2	Gasket
60	98-7656	1	Cap
70	112-7015	1	Bolt-Adjusting
80	100-2175	1	Nut-Lock
90	112-0181	1	Nut
100	98-7654	1	Gasket
110	107-9081	1	Gasket





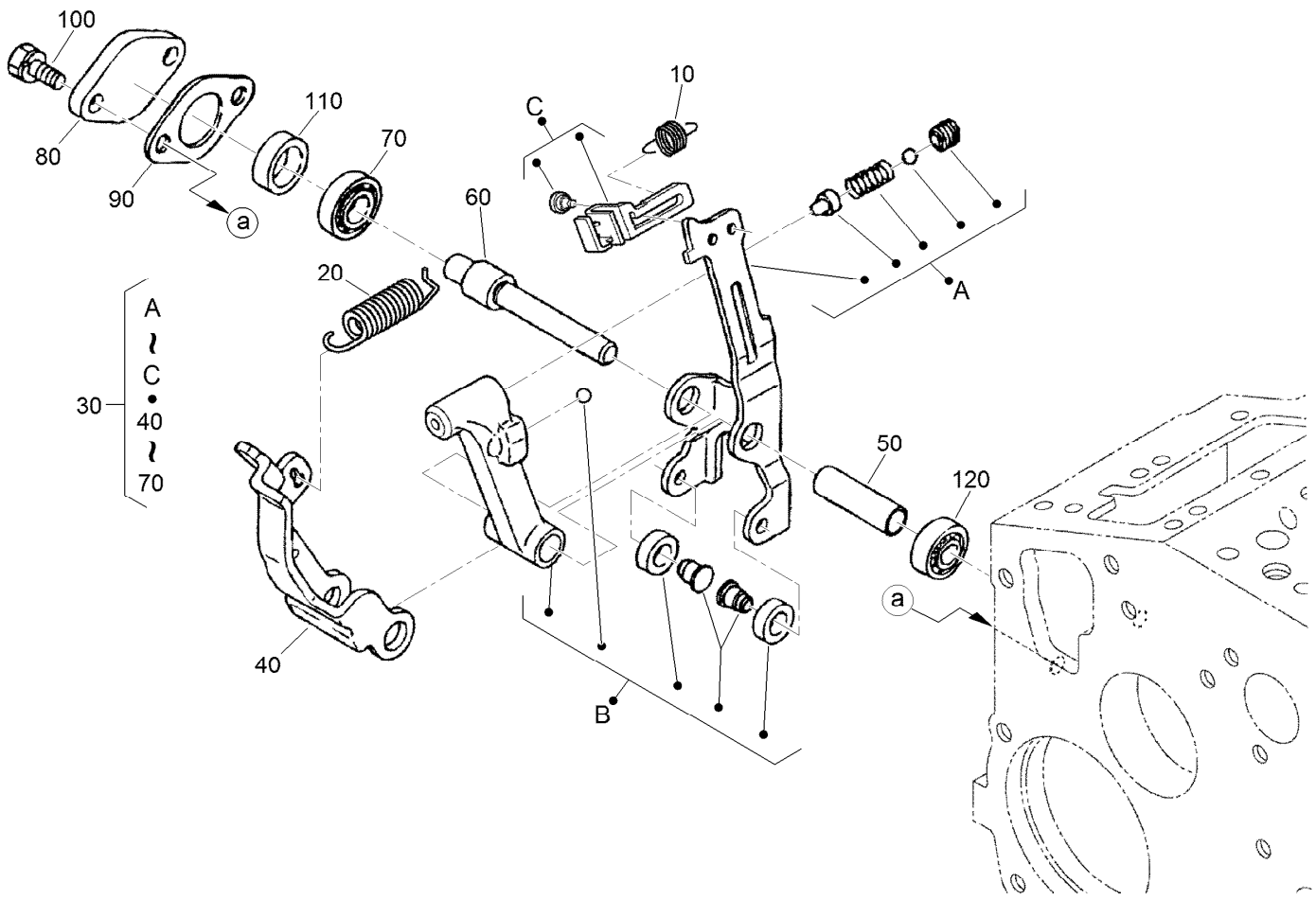
## Stop Solenoid and Fuel Pump Cover Assembly

<i>Ref.</i>	<i>Part Number</i>	<i>Qty.</i>	<i>Description</i>
10	104-5155	1	Solenoid-Stop
20	130-1155	2	Screw-HSH
30	99-3514	1	Cover
40	117-7562	1	Gasket-Pump, Fuel
50	100-2203	2	Nut-Flange
60	112-7016	1	Cover-Pump



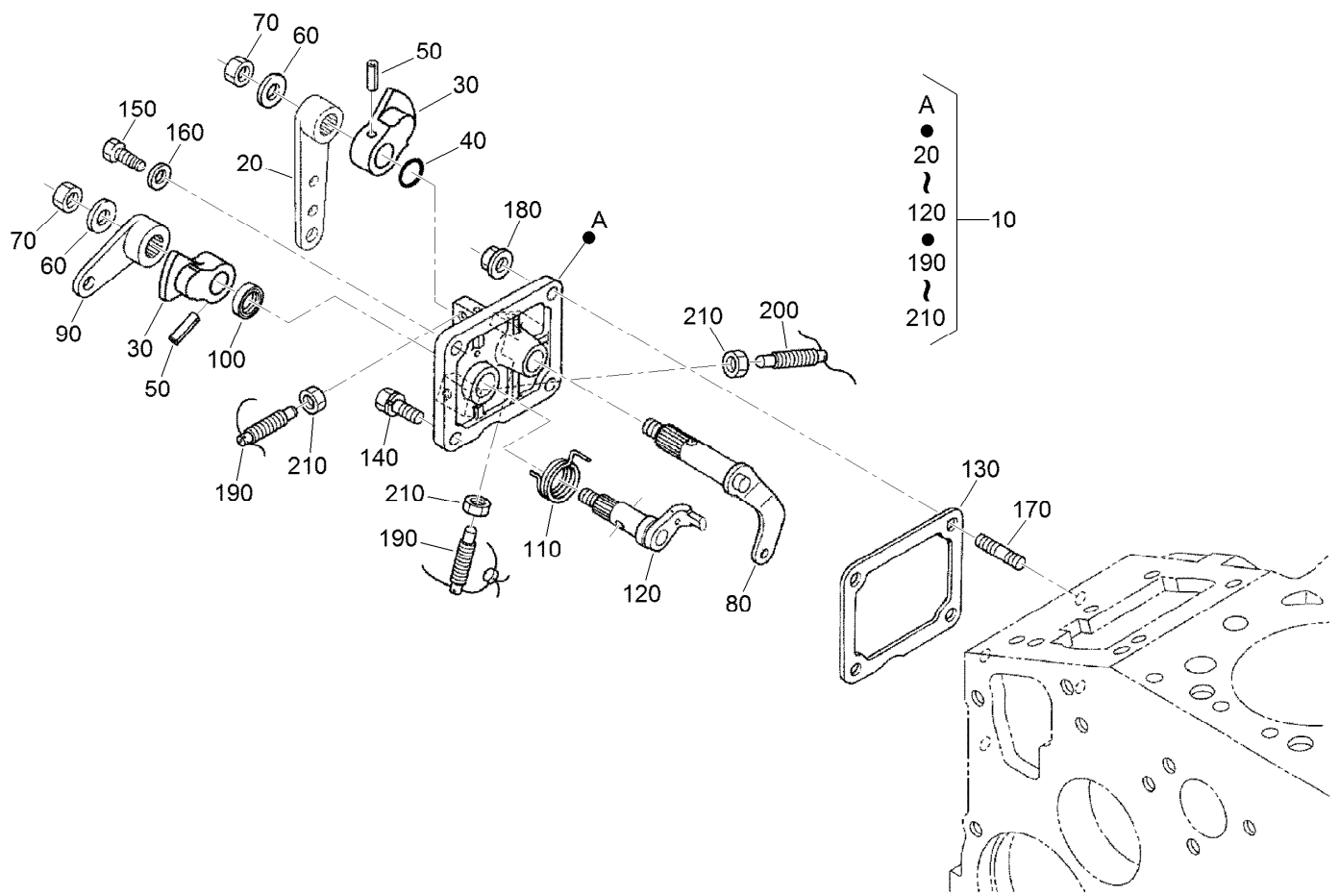
## Injection Pump Assembly

<i>Ref.</i>	<i>Part Number</i>	<i>Qty.</i>	<i>Description</i>	<i>Ref.</i>	<i>Part Number</i>	<i>Qty.</i>	<i>Description</i>
10	98-9596	1	Joint-Eye	90	98-9457	1	Shim-Injection (0.25Mm)
20	98-9643	1	Injection Pump ASM	90	98-9458	1	Shim-Injection (0.30Mm)
30	98-9464	1	Bolt-Joint	90	115-3046	1	Shim-Injection (0.35Mm)
40	98-9445	2	Gasket	90	115-3045	1	Shim-Injection (0.175Mm)
50	98-9430	1	Screw	110	117-7564	2	Bolt-Hex Soc HD
60	98-9446	1	Gasket	120	98-9438	2	Stud
70	98-9466	1	Plug	130	98-9440	2	Nut-Cap
80	98-9451	1	Gasket	140	98-7699	2	Washer-Spring
90	98-9456	1	Shim-Injection (0.20Mm)				



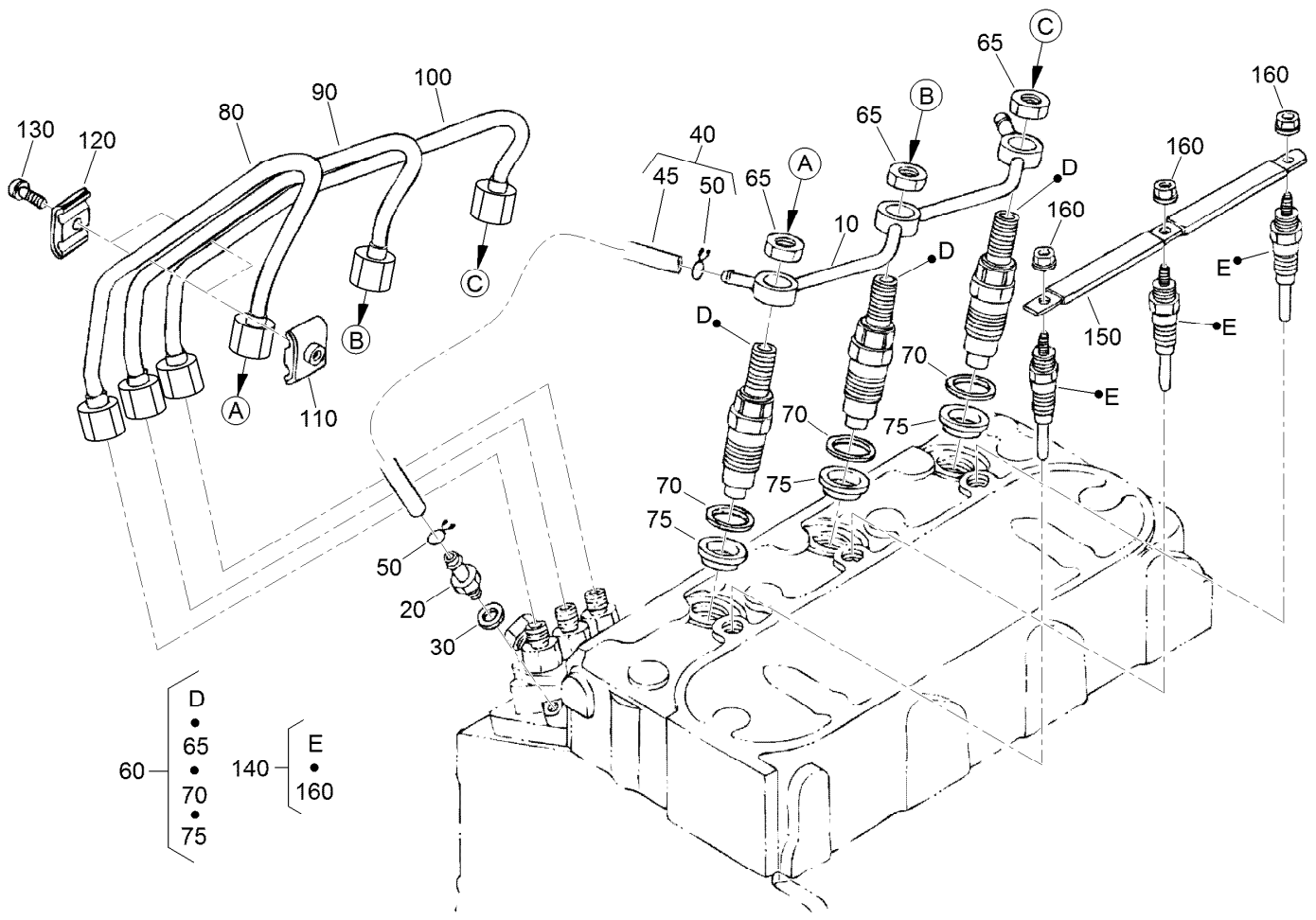
## Governor Assembly

<b>Ref.</b>	<b>Part Number</b>	<b>Qty.</b>	<b>Description</b>
10	105-3786	1	Spring-Start
20	107-7839	1	Spring-Governor
30	107-7840	1	Fork Lever ASM
40	107-9084	1	Lever-Fork
50	107-9085	1	Shaft-Lever, Fork
60	107-9086	1	Shaft-Lever, Fork
70	98-9570	1	Bearing-Miniaturize
80	115-4122	1	Cover-Shaft, Fork Lever
90	98-9682	1	Gasket
100	98-9350	2	Bolt
110	98-9567	1	Collar
120	98-9571	1	Bearing-Miniaturize



## Speed Control Plate Assembly

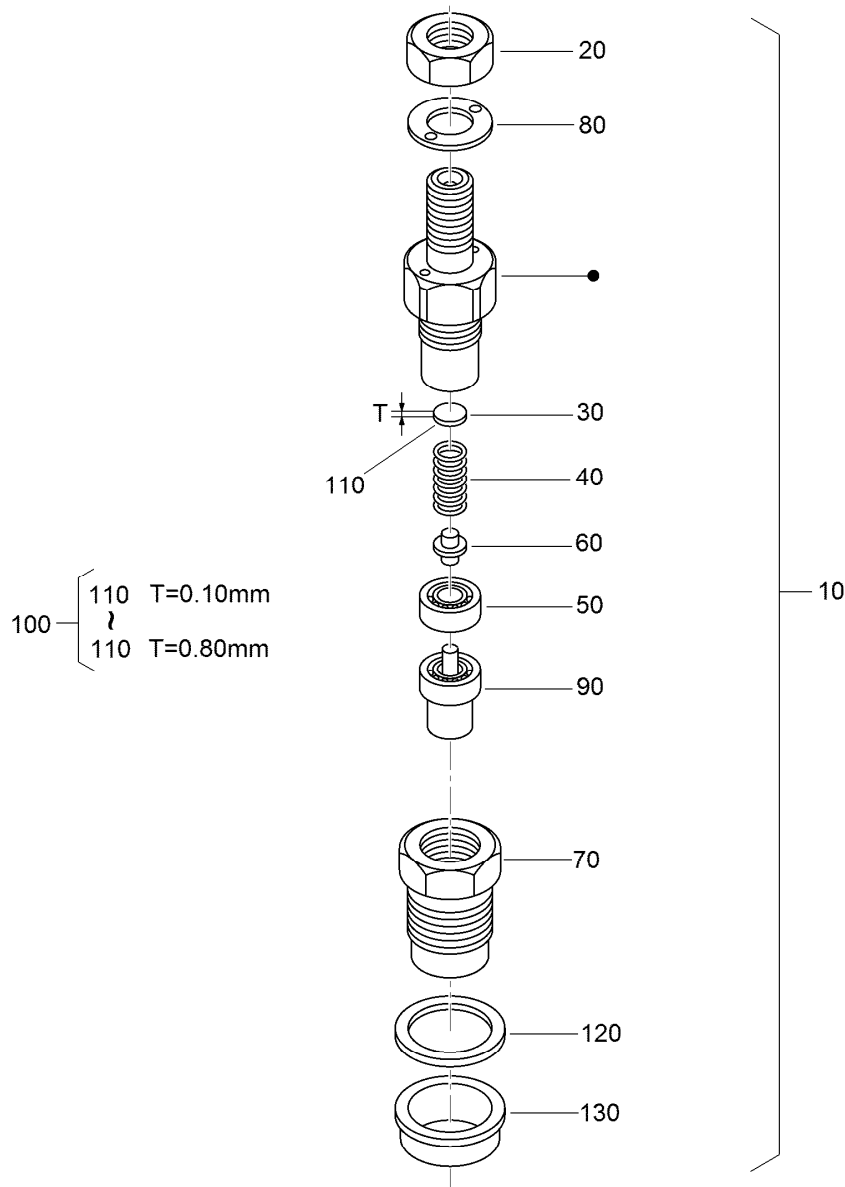
Ref.	Part Number	Qty.	Description	Ref.	Part Number	Qty.	Description
10	105-3735	1	Control Plate ASM	120	98-9664	1	Shaft-Lever, Stop
20	98-9662	1	Lever-Control, Speed	130	98-9637	1	Gasket
30	98-9572	2	Lever-Control, Speed	140	98-7692	1	Bolt
40	105-3788	1	O-Ring	150	127-0401	1	Bolt-Hex
50	98-7602	2	Pin-Spring	160	98-7654	1	Gasket
60	98-9594	2	Washer-Plain	170	105-3710	2	Stud
70	98-9589	2	Nut	180	100-2203	2	Nut-Flange
80	98-9658	1	Governor Lever ASM	190	117-7565	2	Bolt-Adjusting
90	98-9663	1	Lever-Stop, Engine	200	117-7566	1	Bolt-Adjusting
100	98-7601	1	Seal-Oil	210	98-7572	3	Nut
110	98-9472	1	Spring-Return				



## Nozzle Holder and Glow Plug Assembly

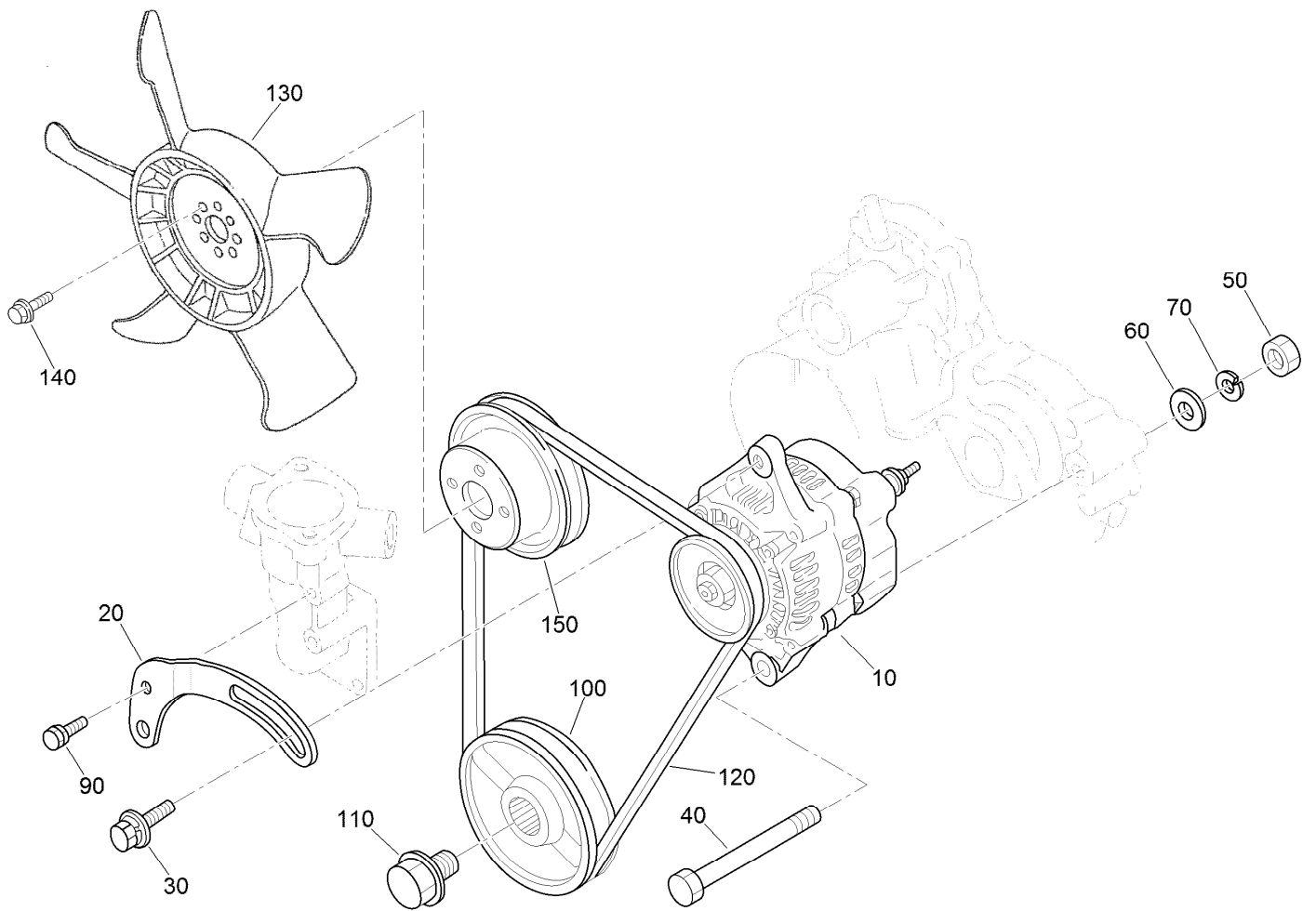
<i>Ref.</i>	<i>Part Number</i>	<i>Qty.</i>	<i>Description</i>
10	98-9620	1	Overflow Pipe ASM
20	98-9431	1	Screw-Bleeder, Air
30	98-7654	1	Gasket
40	98-9420	1	Overflow Pipe ASM
45	112-0182	1	Pipe-Overflow
50	98-7671	2	Clip-Pipe
60	130-1410	3	Nozzle Holder Kit
65	121-2411	3	Nut
70	98-7676	3	Gasket
75	98-7677	3	Seal-Heat

<i>Ref.</i>	<i>Part Number</i>	<i>Qty.</i>	<i>Description</i>
80	98-9622	1	Pipe-Injection
90	98-9654	1	Pipe-Injection
100	98-9655	1	Pipe-Injection
110	98-7682	2	Clamp-Pipe
120	98-7683	2	Clamp-Pipe
130	98-7684	2	Screw (W/Washer)
140	130-1411	3	Plug-Glow
150	98-9631	1	Cord-Plug, Glow
160	99-8377	3	Nut-Flange



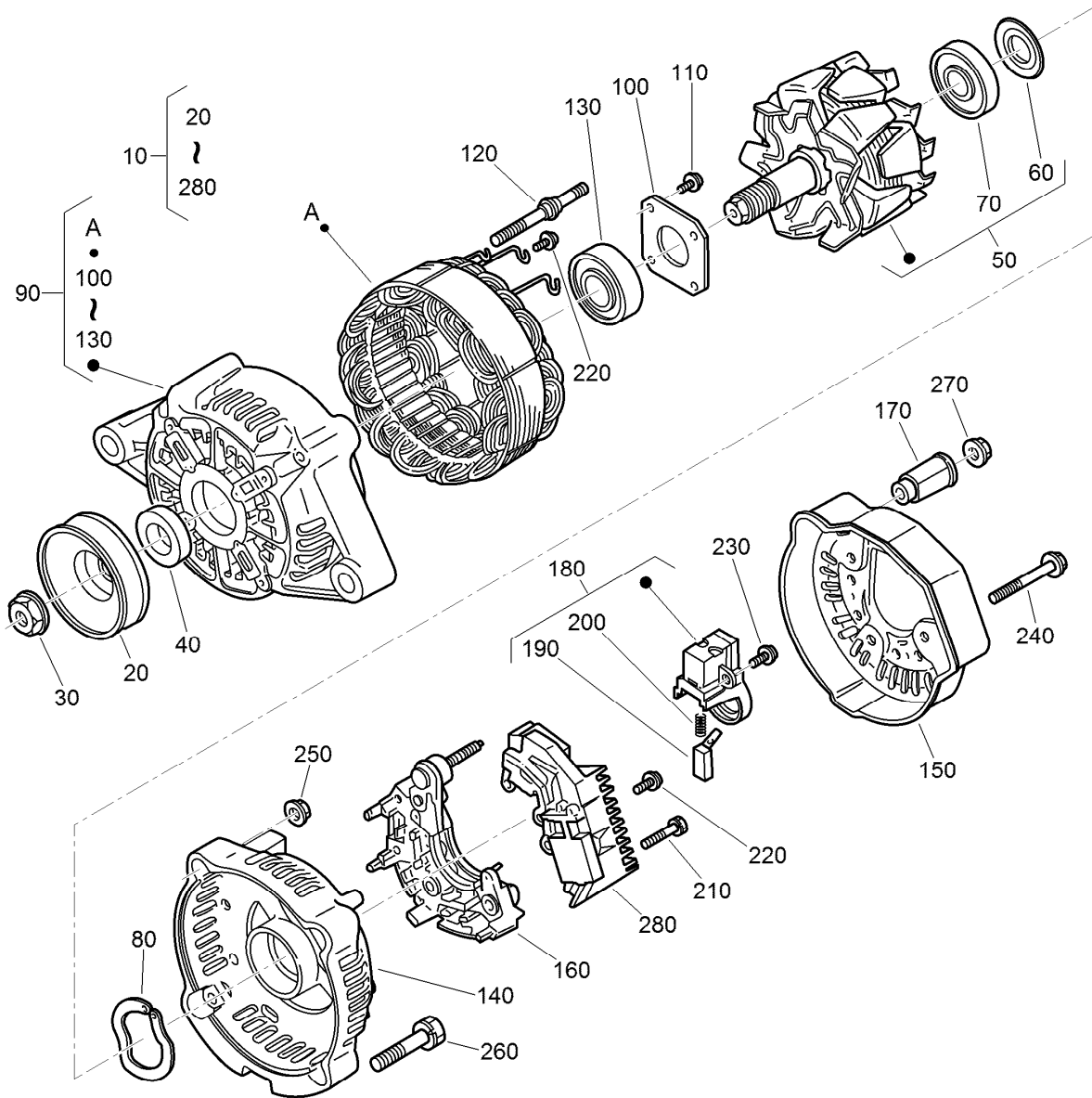
## Nozzle Holder Assembly

Ref.	Part Number	Qty.	Description	Ref.	Part Number	Qty.	Description
10	130-1410	3	Nozzle Holder Kit	110	99-8311	3	Washer-Adjust (0.20Mm)
20	121-2411	3	Nut	110	99-8312	3	Washer-Adjust (0.30Mm)
30	99-8302	3	Washer-Adjusting	110	99-8313	3	Washer-Adjust (0.40Mm)
40	99-8303	3	Spring-Nozzle	110	99-8314	3	Washer-Adjust (0.50Mm)
50	99-8304	3	Spacer-Distance	110	99-8315	3	Washer-Adjust (0.52Mm)
60	99-8305	3	Rod-Push	110	99-8316	3	Washer-Adjust (0.54Mm)
70	99-8306	3	Nut-Nozzle	110	99-8317	3	Washer-Adjust (0.56Mm)
80	99-8307	3	Washer-Plain	110	99-8318	3	Washer-Adjust (0.58Mm)
90	115-3020	3	Piece-Nozzle	110	99-8319	3	Washer-Adjust (0.80Mm)
100	99-8309	3	Adjusting Washer ASM	120	98-7676	3	Gasket
110	99-8310	3	Washer-Adjust (0.10Mm)	130	98-7677	3	Seal-Heat



## Alternator, Pulley and Fan Assembly

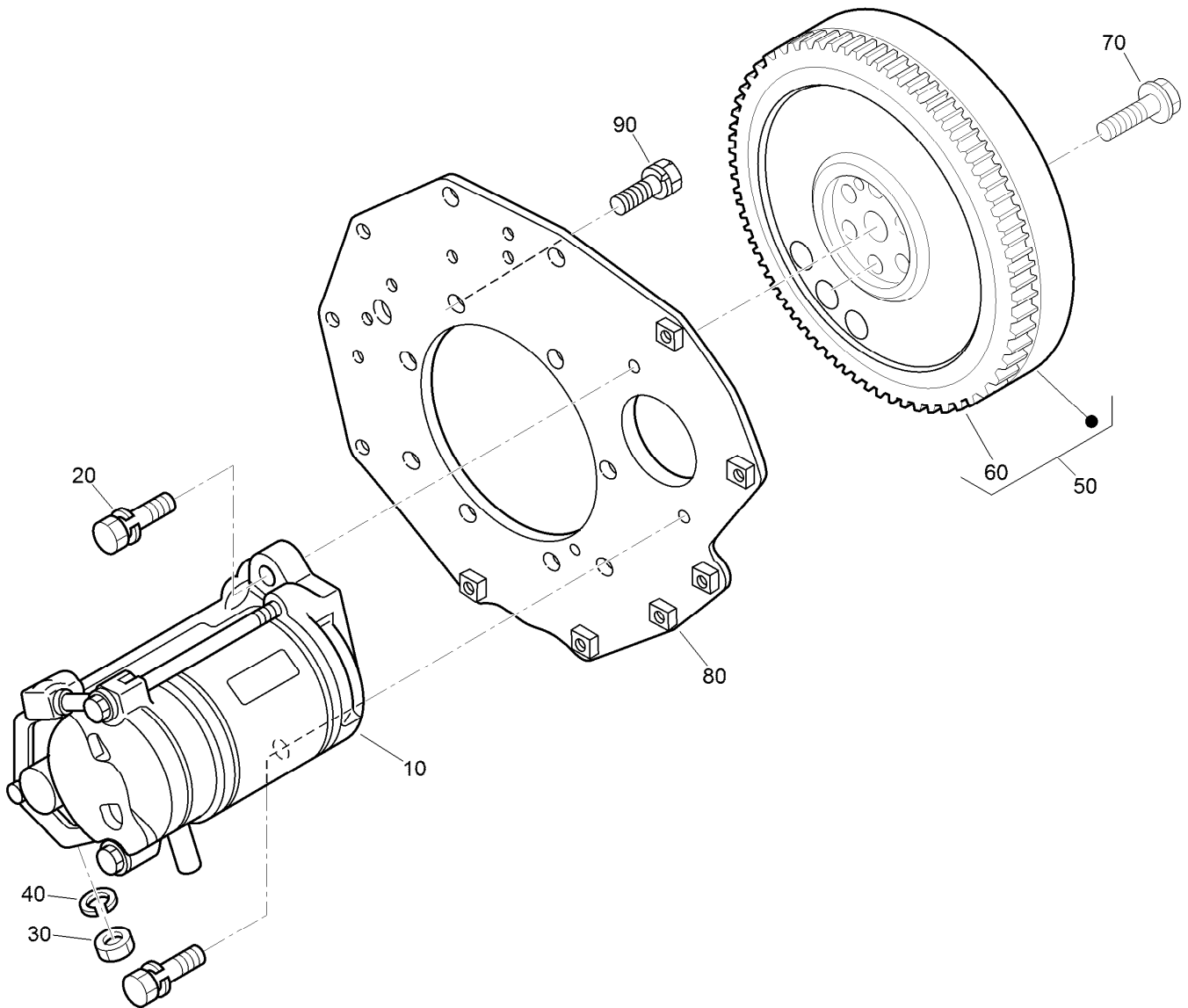
Ref.	Part Number	Qty.	Description
10	98-9474	1	Alternator ASM
20	112-7047	1	Stay-Dynamo
30	108-7088	1	Bolt
40	98-9360	1	Bolt
50	98-7737	1	Nut
60	98-9366	1	Washer-Plain
70	98-7738	1	Washer-Spring
90	98-7692	1	Bolt
100	99-3456	1	Pulley-Drive, Fan
110	98-9585	1	Bolt
120	130-1241	1	V Belt
130	99-3461	1	Fan
140	99-8363	4	Bolt-Flange
150	99-3453	1	Pulley-Fan



## Alternator Components Assembly

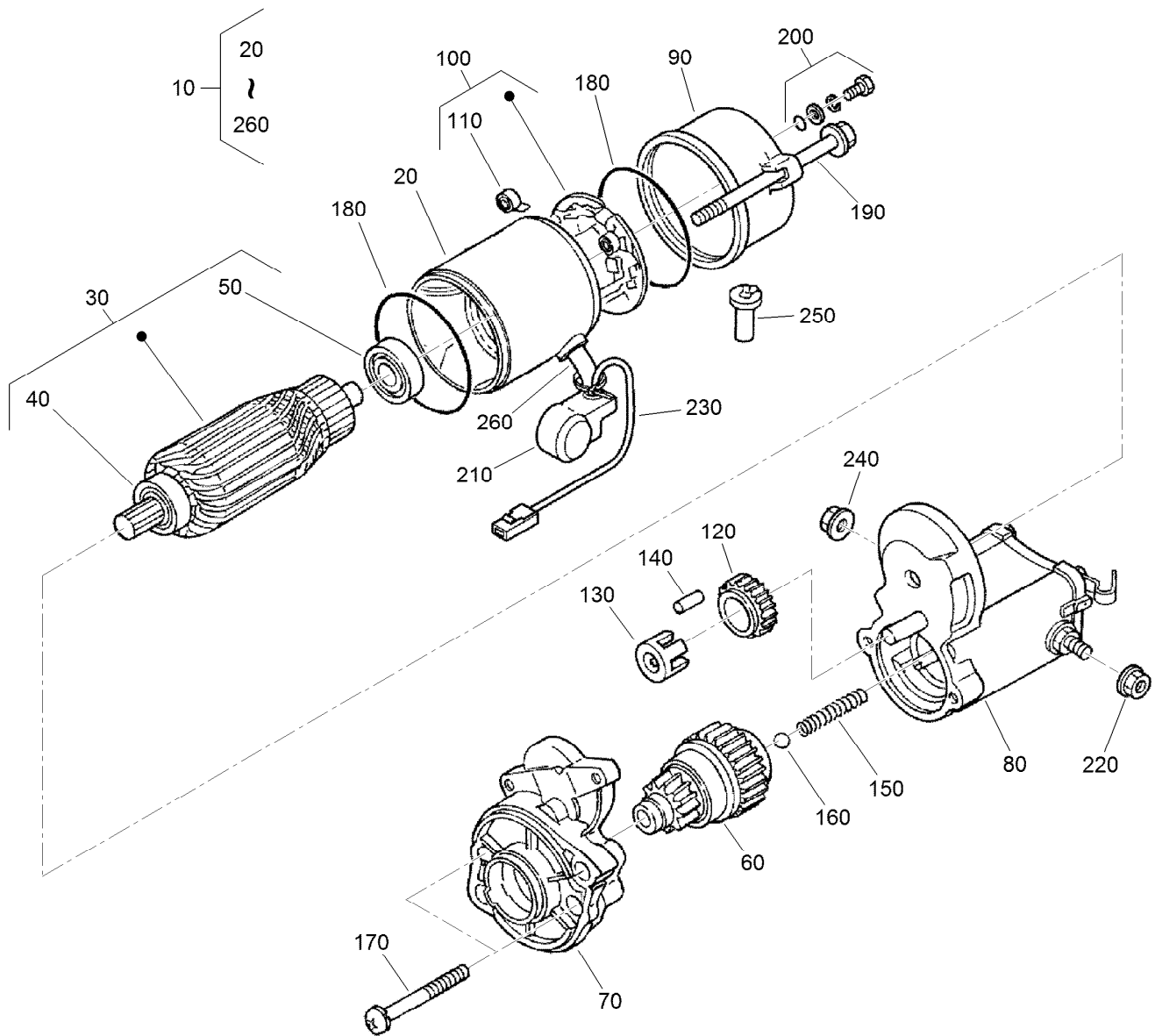
Ref.	Part Number	Qty.	Description	Ref.	Part Number	Qty.	Description
10	98-9474	1	Alternator ASM	150	107-0140	1	Cover-End
20	98-9453	1	Pulley-Dynamo	160	127-1612	1	Rectifier ASM
30	98-7708	1	Nut	170	98-7722	1	Bushing-Insulation
40	98-7709	1	Collar	180	107-0141	1	Brush Holder ASM
50	107-0136	1	Rotor ASM	190	98-7724	2	Brush
60	98-7711	1	Cover-Bearing	200	98-7725	2	Spring-Brush
70	107-0138	1	Bearing-Ball	210	98-7726	2	Screw-Head, Round
80	98-7713	1	Washer-Thrust	220	98-7727	6	Screw-Head, Round
90	107-0139	1	Drive End Frame ASM	230	98-7728	1	Screw-Head, Round
100	98-7715	1	Plate-Retainer	240	98-7729	3	Bolt
110	98-7716	4	Screw-Head, Round	250	98-7730	2	Nut
120	98-7717	2	Bolt-Through	260	98-7731	2	Bolt
130	107-0137	1	Bearing-Ball	270	98-7732	1	Nut
140	107-9087	1	Frame-End	280	110-3799	1	Regulator ASM





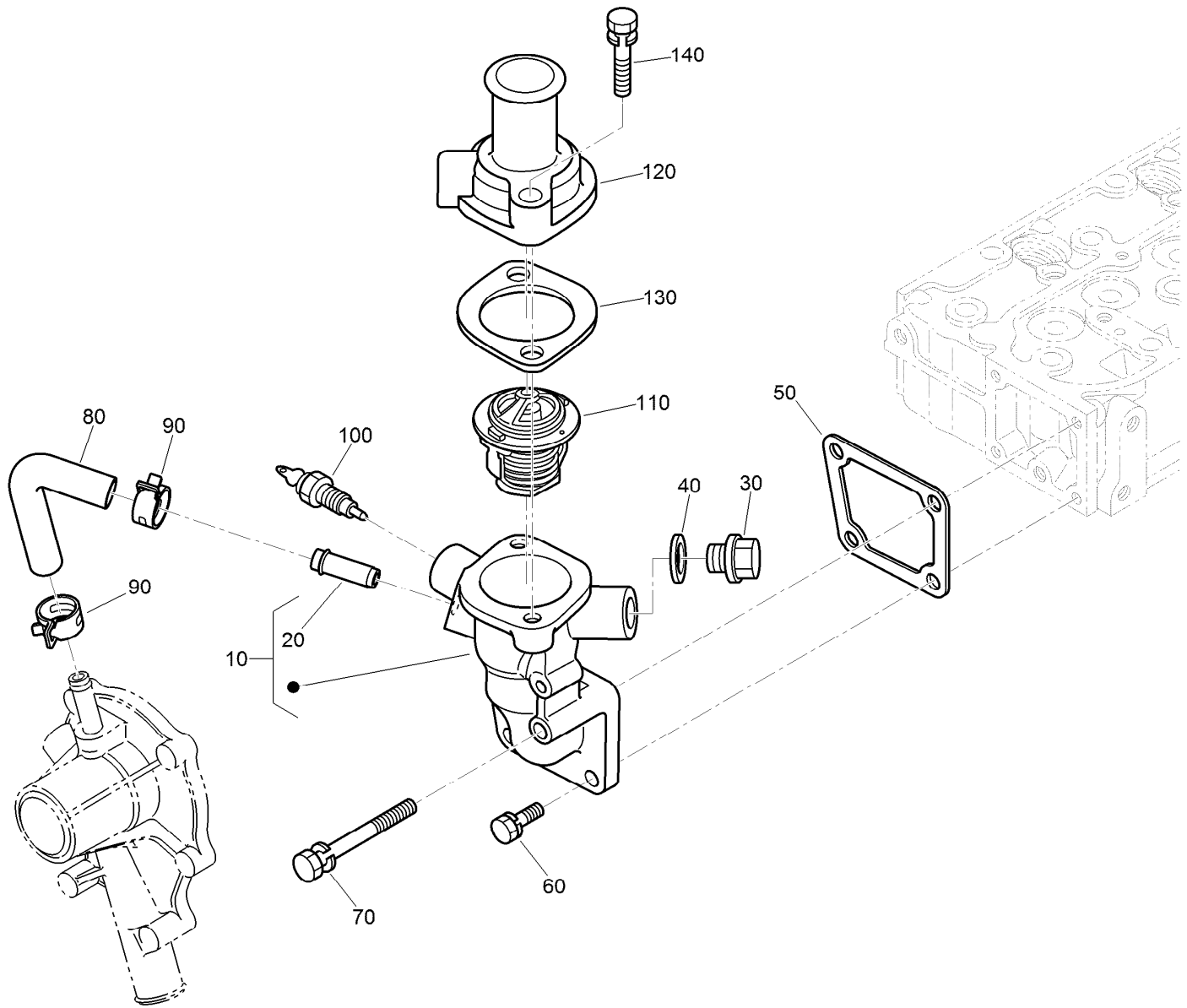
## Starter and Flywheel Assembly

Ref.	Part Number	Qty.	Description
10	98-9705	1	Starter ASM
20	98-7697	2	Bolt
30	98-7739	1	Nut
40	105-2893	1	Washer-Spring
50	105-3784	1	Flywheel ASM
60	115-3015	1	Gear-Ring
70	98-9537	6	Bolt-Flywheel
80	98-9486	1	Plate-End, Rear
90	98-9392	8	Bolt



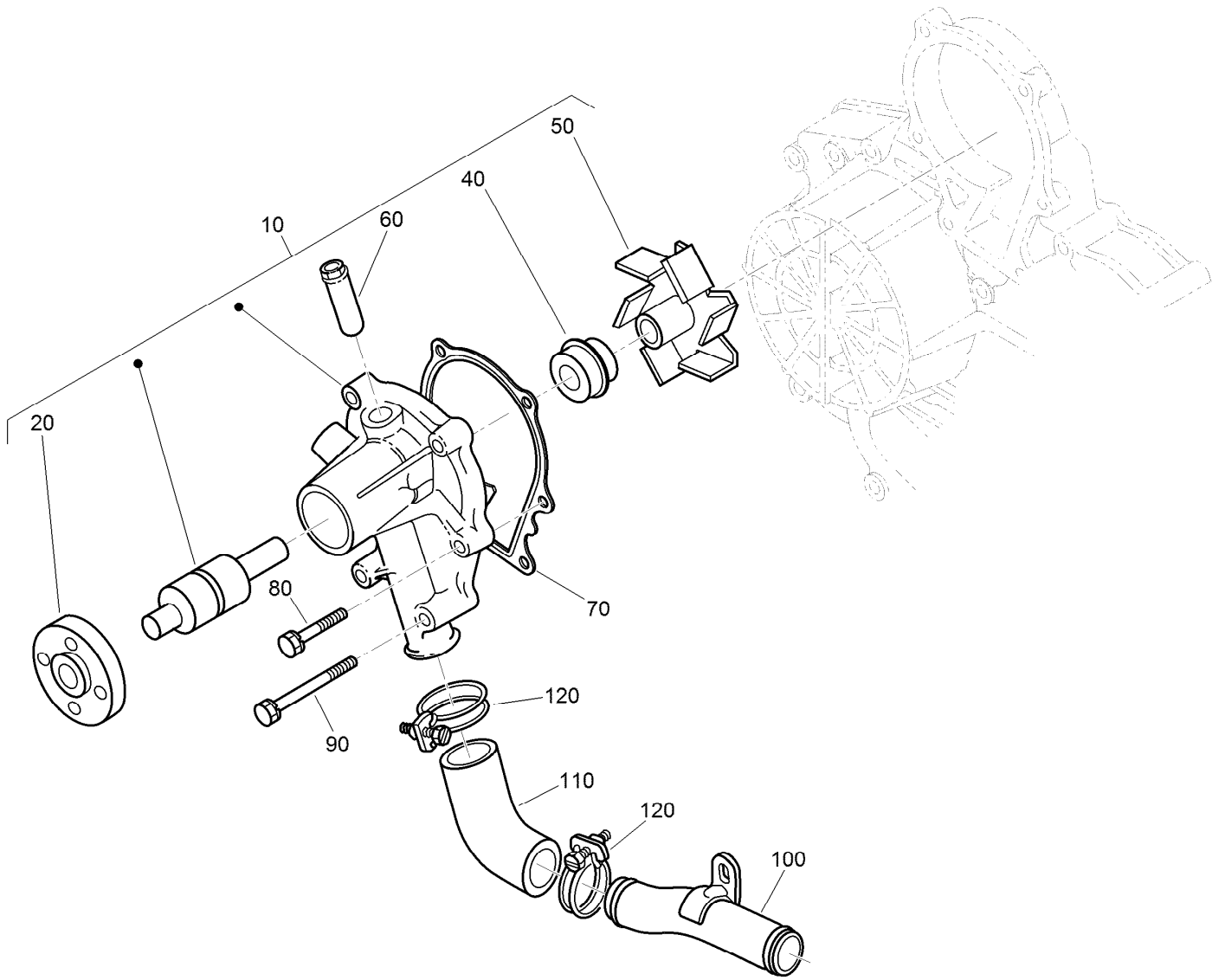
## Starter Component Assembly

<i>Ref.</i>	<i>Part Number</i>	<i>Qty.</i>	<i>Description</i>	<i>Ref.</i>	<i>Part Number</i>	<i>Qty.</i>	<i>Description</i>
10	98-9705	1	Starter ASM	140	98-7753	5	Roller
20	104-8608	1	Yoke ASM	150	98-7754	1	Spring
30	98-7742	1	Armature ASM	160	98-7755	1	Ball
40	98-7744	1	Bearing	170	98-7756	2	Bolt
50	98-7743	1	Bearing	180	98-7757	2	O-Ring
60	99-8373	1	Clutch-Running, Over	190	100-9240	2	Bolt
70	99-8374	1	Frame-End, Drive	200	98-7758	2	Bolt ASM
80	105-3746	1	Magnetic Switch ASM	210	99-8375	1	Cover
90	98-7748	1	Frame-End	220	99-8371	1	Nut-Hex
100	98-7749	1	Brush Holder ASM	230	98-9711	1	Cord-Solenoid, Stop
110	98-7750	4	Spring-Brush	240	99-8376	1	Nut-Hex
120	98-7751	1	Gear	250	98-7759	1	Pipe-Drain
130	98-7752	1	Retainer	260	98-9712	1	Band-Cover



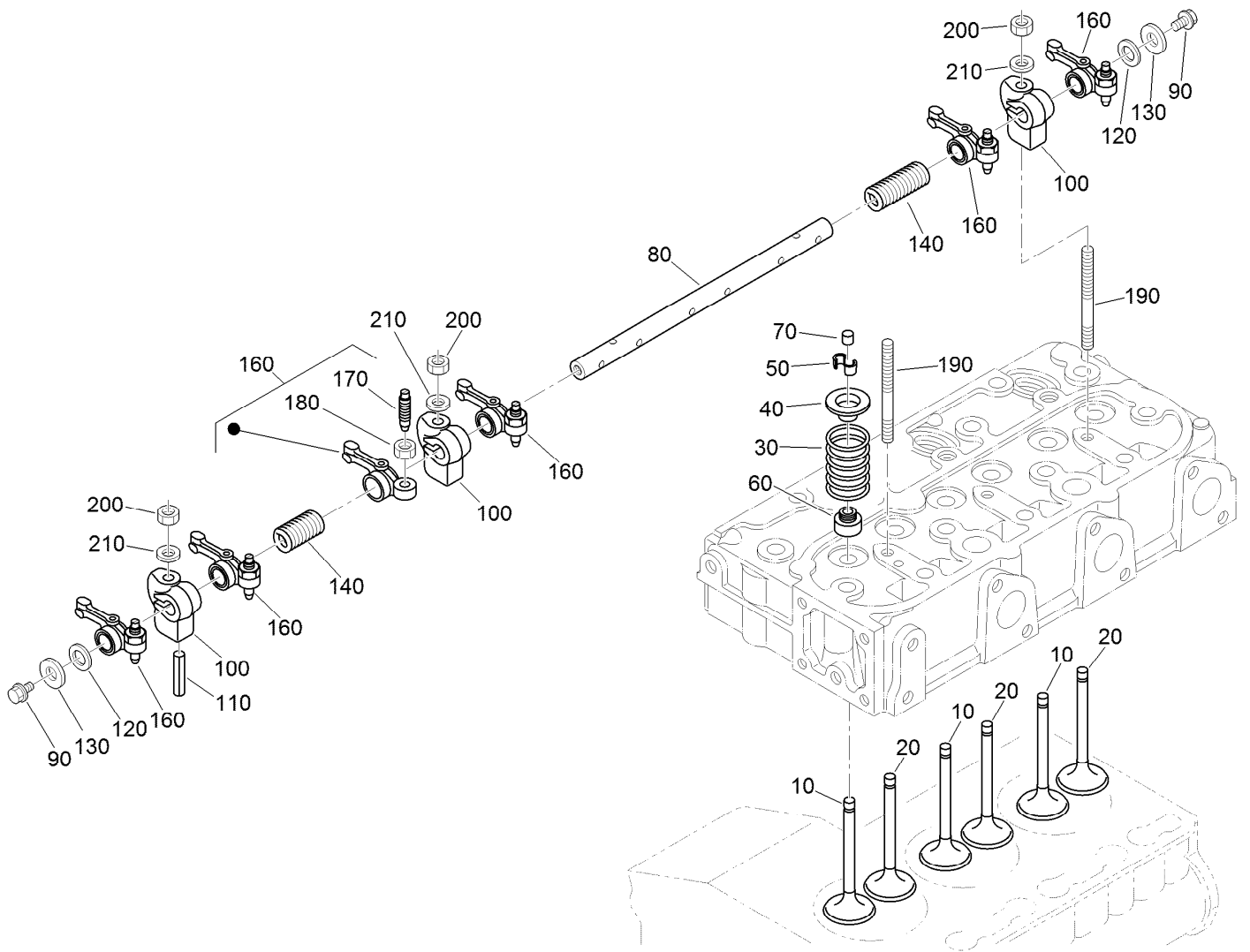
## Water Flange and Thermostat Assembly

<i>Ref.</i>	<i>Part Number</i>	<i>Qty.</i>	<i>Description</i>
10	98-9713	1	Water Flange ASM
20	98-9580	1	Pipe-Return, Water
30	105-3747	1	Plug
40	99-3583	1	Gasket
50	98-9638	1	Gasket-Flange, Water
60	98-7692	3	Bolt
70	98-9356	1	Bolt
80	98-9578	1	Pipe-Return, Water
90	125-9078	2	Clamp-Hose
100	98-9719	1	Thermoswitch
110	98-7778	1	Thermostat ASM
120	98-9471	1	Cover-Thermostat
130	105-3748	1	Gasket-Thermostat
140	98-7777	2	Bolt



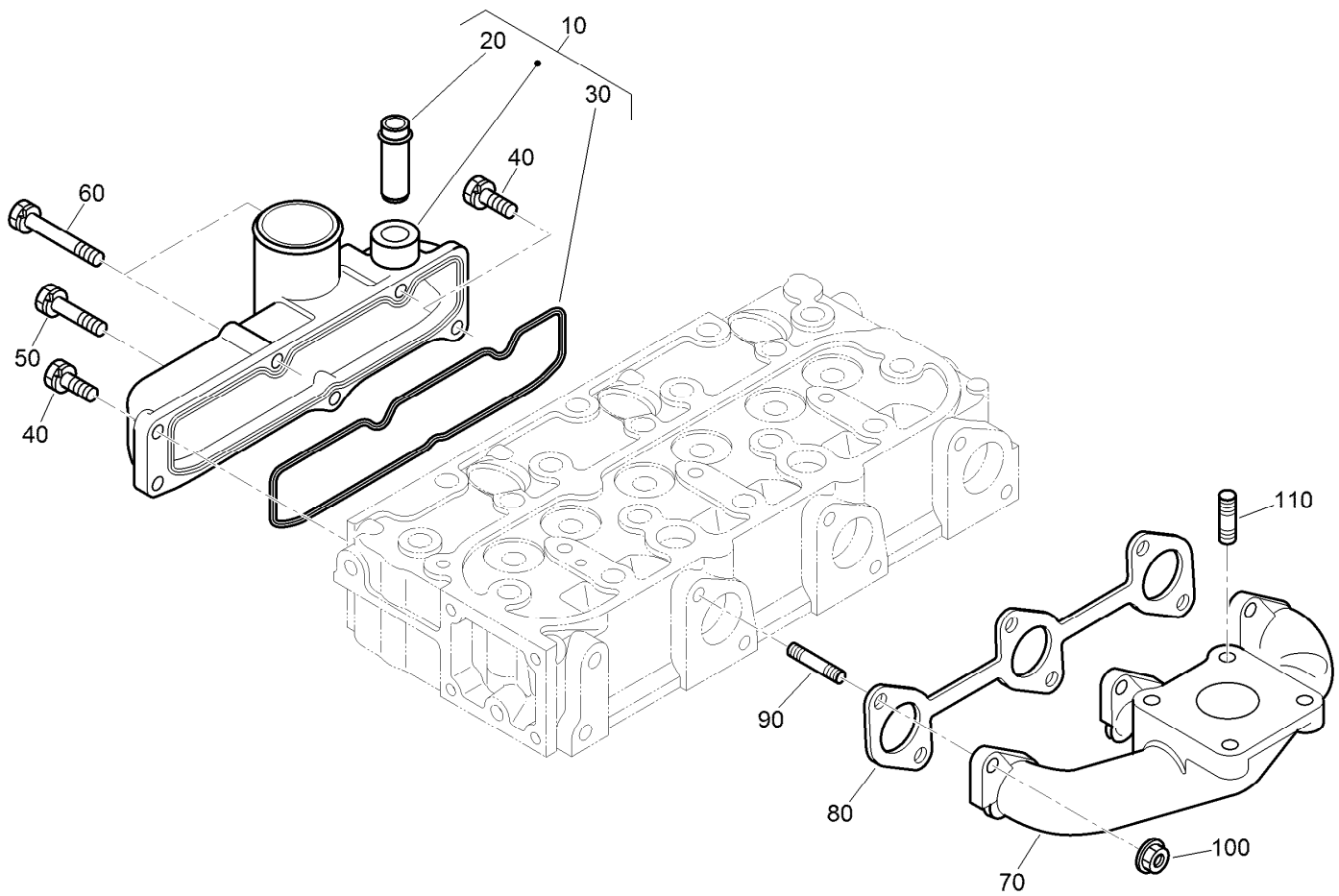
## Water Pump and Water Pipe Assembly

<i>Ref.</i>	<i>Part Number</i>	<i>Qty.</i>	<i>Description</i>
10	107-9089	1	Water Pump ASM
20	99-3516	1	Flange-Pump, Water
40	105-3750	1	Mechanical Seal ASM
50	112-7017	1	Impeller-Pump, Water
60	100-1932	1	Pipe-Return, Water
70	99-3454	1	Gasket-Pump, Water
80	98-9353	4	Bolt
90	98-9357	2	Bolt
100	98-9716	1	Pipe-Water
110	107-9091	1	Pipe-Water
120	127-0439	2	Clamp-Hose



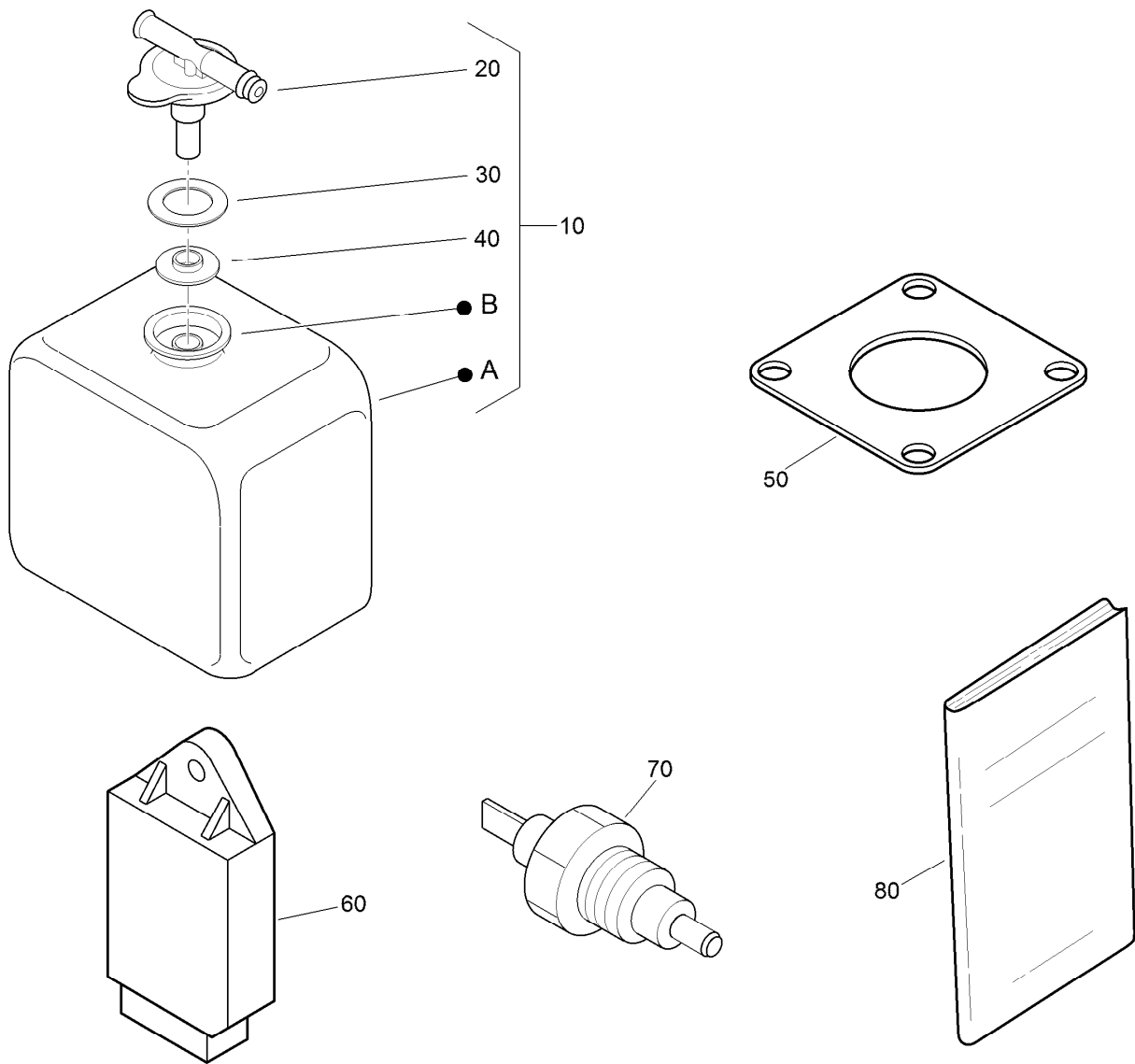
## Valve and Rocker Arm Assembly

<i>Ref.</i>	<i>Part Number</i>	<i>Qty.</i>	<i>Description</i>
10	112-7018	3	Valve-Inlet
20	120-2564	3	Valve-Exhaust
30	98-9648	6	Spring-Valve
40	107-9092	6	Retainer-Spring
50	117-7572	6	Collet-Spring, Valve
60	99-8385	6	Seal-Stem, Valve
70	98-9497	6	Cap-Valve
80	130-1248	1	Shaft-Arm, Rocker
90	99-8363	2	Bolt-Flange
100	98-9505	3	Bracket-Arm, Rocker
110	105-3758	1	Pin-Spring
120	98-9507	2	Washer-Shaft, Rocker Arm
130	110-3832	2	Washer-Plain
140	98-9504	2	Spring-Arm, Rocker
160	112-7020	6	Rocker Arm ASM
170	98-9502	6	Screw-Adjusting
180	98-9503	6	Nut
190	98-9506	3	Stud
200	98-9393	3	Nut
210	98-9385	3	Washer-Flat



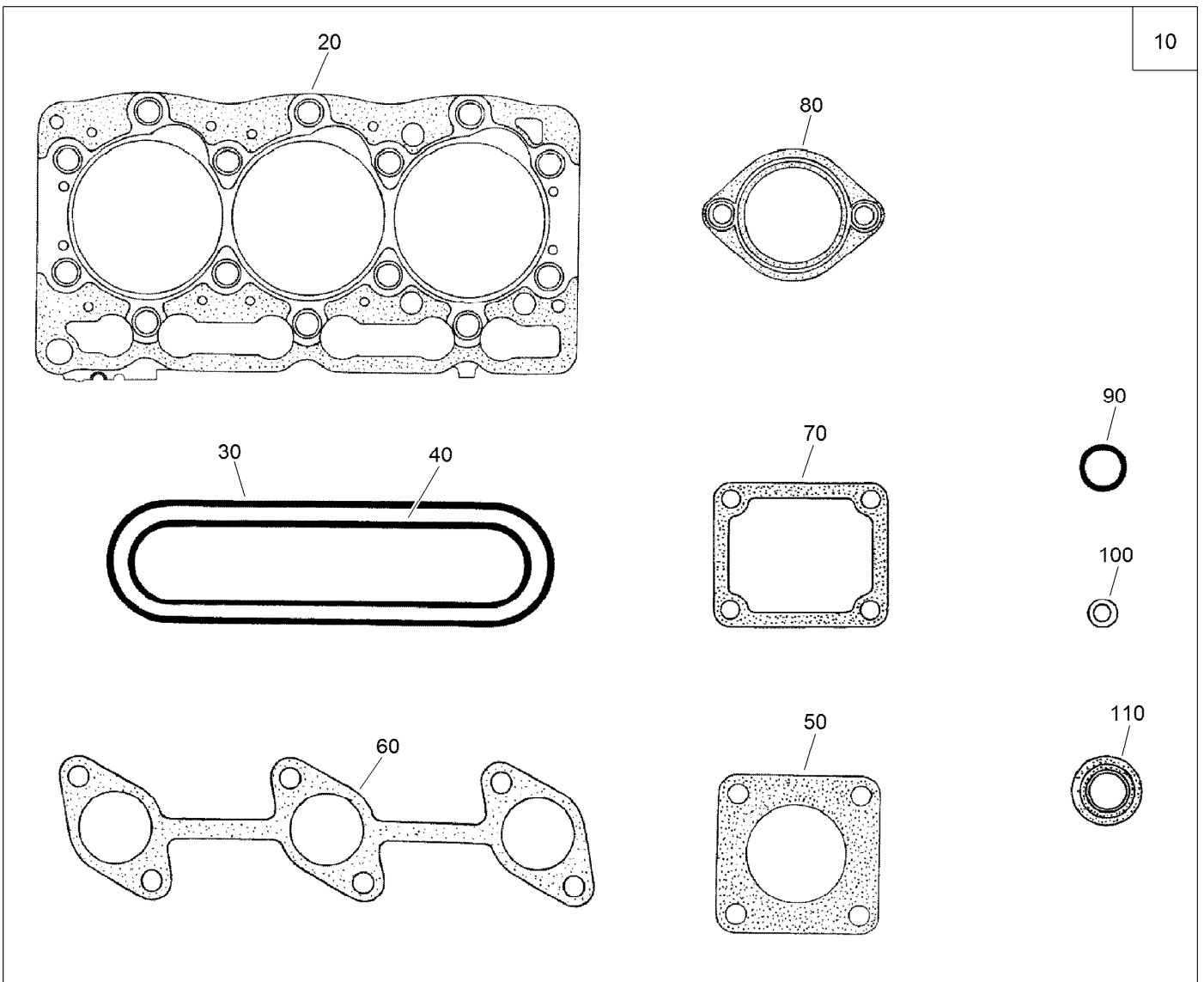
## Inlet and Exhaust Manifold Assembly

<i>Ref.</i>	<i>Part Number</i>	<i>Qty.</i>	<i>Description</i>
10	107-7843	1	Manifold Inlet ASM
20	98-9492	1	Joint-Pipe, Breather
30	98-9609	1	Gasket-Manifold, Inlet
40	127-0403	3	Bolt-Flange
50	98-9353	1	Bolt
60	125-9063	2	Bolt-Sems
70	107-9093	1	Manifold-Exhaust
80	99-8327	1	Gasket-Manifold, Exhaust
90	98-9588	6	Stud
100	98-9665	6	Nut
110	98-7769	4	Stud



## Miscellaneous Engine Parts

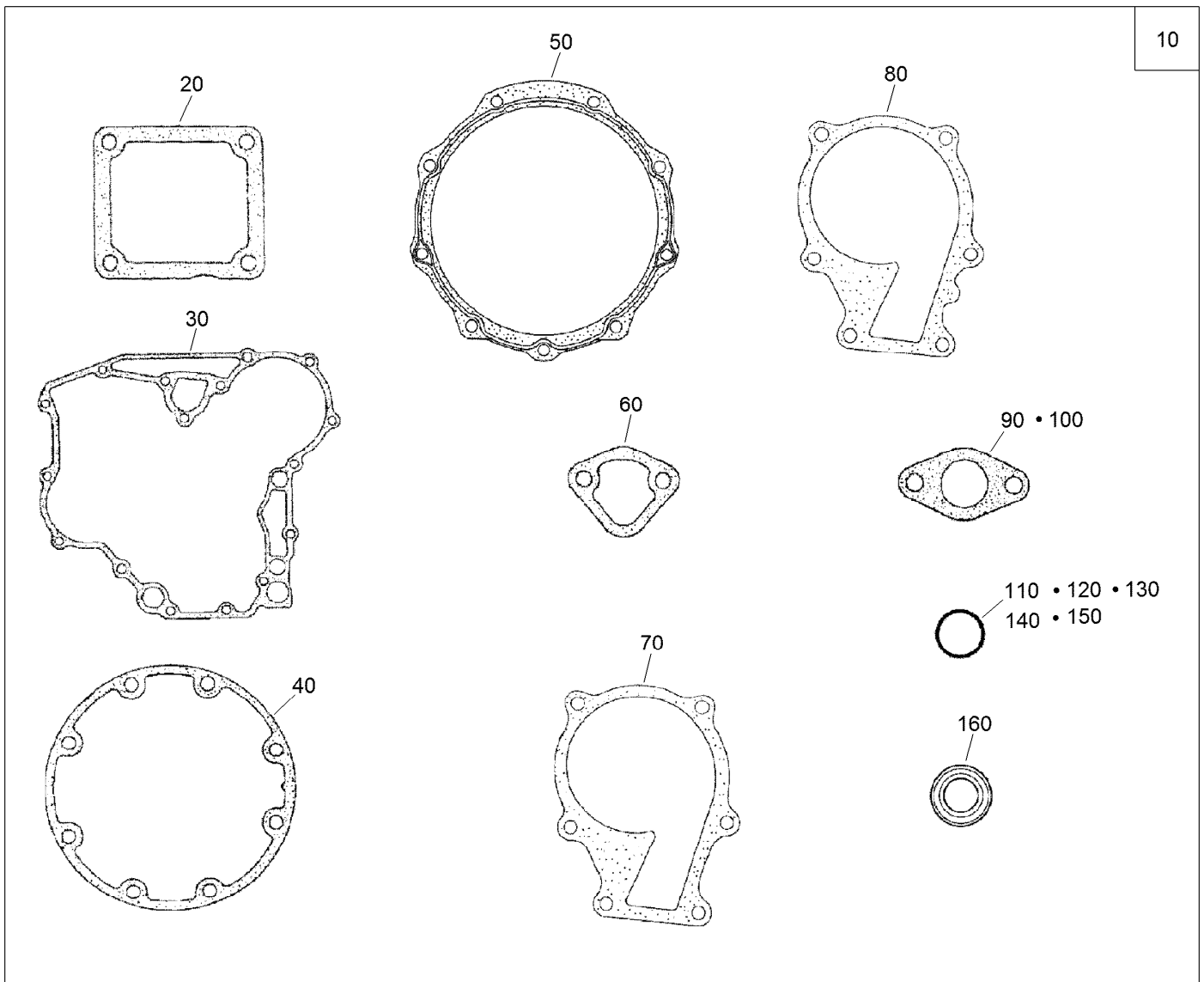
<i>Ref.</i>	<i>Part Number</i>	<i>Qty.</i>	<i>Description</i>
10	104-9318	1	Bottle-Overflow
20	115-4132	1	Cap
30	105-3755	1	Gasket
40	105-3756	1	Plate
50	99-8343	1	Gasket-Muffler
60	98-7611	1	Controller-Glow
70	106-7772	1	Thermoswitch
80	130-1543	1	Manual-Operator



## Upper Engine Gasket Kit

Ref.	Part Number	Qty.	Description
10	130-1363	1	Upper Gasket Kit
20	108-6573	1	Gasket-Head, Cylinder
30	130-1249	1	Gasket-Head Cover
40	98-9609	1	Gasket-Manifold, Inlet
50	99-8343	1	Gasket-Muffler
60	99-8327	1	Gasket-Manifold, Exhaust
70	98-9638	1	Gasket-Flange, Water
80	105-3748	1	Gasket-Thermostat
90	99-3446	2	O-Ring
100	98-9454	3	Gasket
110	99-8385	6	Seal-Stem, Valve





## Lower Engine Gasket Kit

<i>Ref.</i>	<i>Part Number</i>	<i>Qty.</i>	<i>Description</i>	<i>Ref.</i>	<i>Part Number</i>	<i>Qty.</i>	<i>Description</i>
10	130-1364	1	Lower Gasket Kit	90	98-9682	1	Gasket
20	98-9637	1	Gasket	100	98-9683	1	Gasket-Cover, Solenoid
30	98-9633	1	Gasket-Case, Gear	110	105-3781	2	O-Ring
40	127-0440	1	Gasket-Case, Bearing	120	105-3777	2	O-Ring
50	112-7037	1	Gasket-Cover, Case	130	105-3783	1	O-Ring
60	117-7562	1	Gasket-Pump, Fuel	140	105-3776	1	O-Ring
70	98-9632	1	Gasket-Pump, Water	150	105-3788	1	O-Ring
80	99-3454	1	Gasket-Pump, Water	160	98-7601	1	Seal-Oil

# Attachments and Accessories

## For 03170 Reelmaster 3100-D Traction Unit

<b>Product Name</b>	<b>Model/Part</b>
27in Lift Arm Kit .....	03172
32in Lift Arm Kit .....	03173
5-Blade 27in DPA Cutting Unit .....	03180
8-Blade 27in DPA Cutting Unit .....	03181
8-blade 32in DPA Cutting Unit .....	03182
11-blade 27in DPA Cutting Unit.....	03183
27in Verticutter.....	03184
Gauge Bar Assembly.....	108-6715
Premium Seat Kit.....	30629
Arm Rest Kit.....	30707
Work Light Kit .....	30841

**Notes:**



**Count on it.**