



Count on it.

Parts Catalog

ProCore® 648

Aerator

Model No. 09200—Serial No. 403415001 and Up



Ordering Replacement Parts

To order replacement parts, please supply the part number, the quantity, and the description of each part desired.

Understanding Reference Numbers

Each identified part in an illustration has a reference number. The reference number for a part also appears in the parts list, along with other information about the part.

This catalog uses two special reference number formats, one to indicate parts in a service assembly and another to indicate the quantity of a given part in an illustration.

Service Assembly Reference Numbers

Parts in service assemblies have reference numbers in the form a:b. The a represents the reference number of the entire service assembly and the b represents a sequential number unique to each part within the service assembly.

For example, a wheel assembly might be identified by reference number 6, the tire by 6:1, the valve by 6:2, and the wheel by 6:3. When you order the assembly identified by reference number 6, you receive all parts identified by reference numbers 6:1, 6:2, and 6:3. However, you may also order any part individually. Reference numbers of this type appear in illustration and in parts lists.

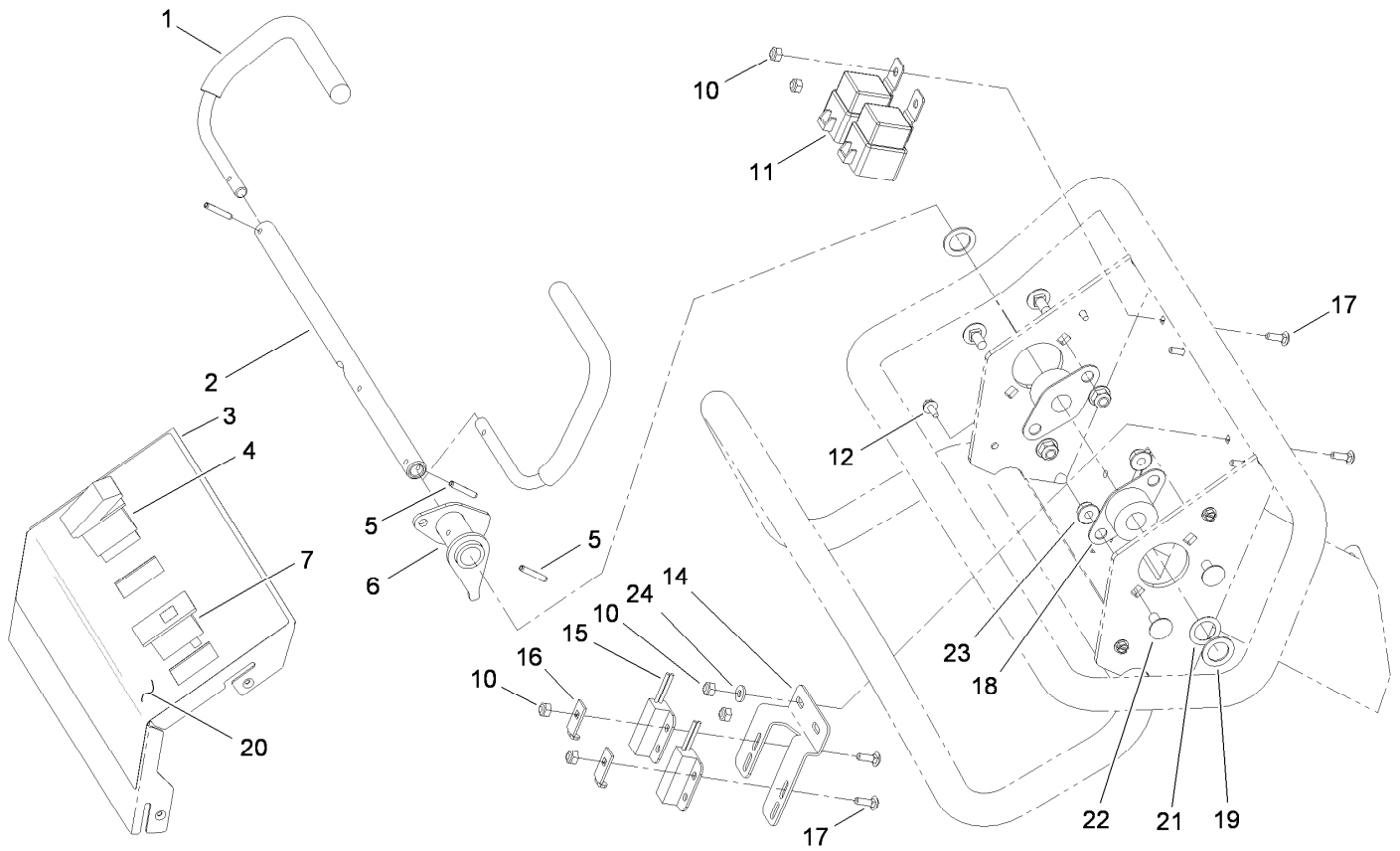
Reference Numbers Indicating Quantity

In an illustration, if a reference number indicates more than one part, the reference number has the form nX y. The n represents the quantity of the part, the X is the multiplication symbol, and the y represents the reference number.

For example, in an illustration, the reference number 2X 37 means that two of the parts identified by reference number 37 are indicated.

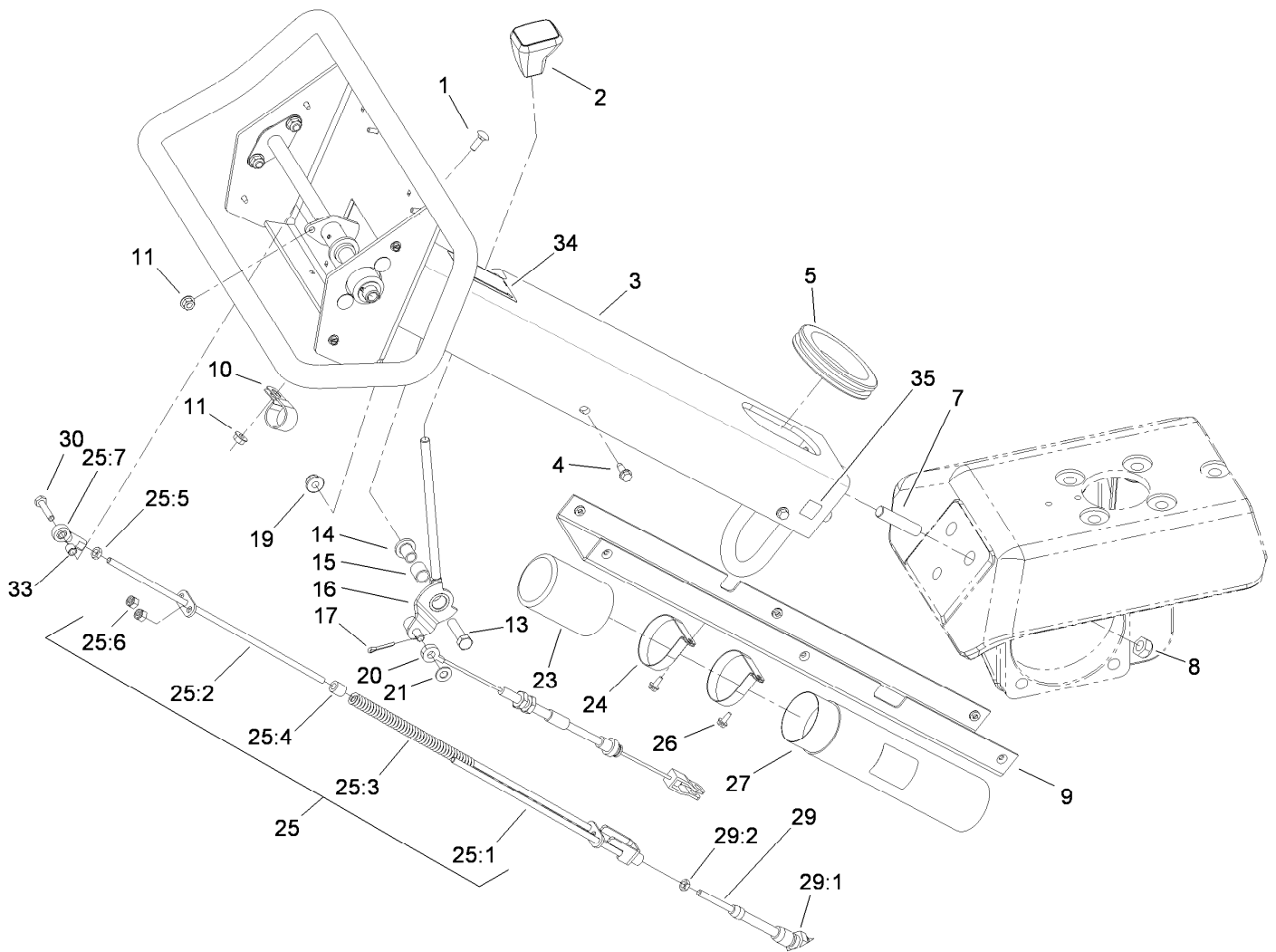
Contents

Control Bail Assembly	4
Front Handle Assembly	5
Front Fork Assembly	6
Fuel Tank Assembly	7
Console Assembly	8
Console Electronics Assembly	9
Line Marker Assembly	10
Engine and Muffler Assembly	11
Rear Hood and Muffler Shield Assembly	12
Shield Assembly No. 107-7546	13
Jackshaft Hood Assembly	14
Primary Belt Drive Assembly	15
Secondary Belt Drive Assembly	16
Hydro Control Assembly	17
Hydrostat Pump Assembly	18
Hydraulic Pump Assembly No. 131-4754	19
Lift System Assembly	20
Control Manifold Assembly No. 106-8802	21
Wheel and Motor Assembly	22
(CCW) Hydraulic Motor Assembly No. 106-8808	23
(CW) Hydraulic Motor Assembly No. 106-8807	24
(CCW) Hydraulic Motor Assembly No. 106-8806	25
Brake Latch Assembly	26
Hydraulic Tank Assembly	27
Hydraulic Fitting Assembly	28
Hardline and Hose Assembly	29
H-Frame Assembly	30
Coring Head Crank No. 1 and 2 Assembly	31
Coring Head Crank No. 3 and 4 Assembly	32
Coring Head Crank No. 5 and 6 Assembly	33
Coring Head Assembly for Rotolinks	34
Coring Head Assembly for Turfguards	35
Depth Control Assembly	36
Depth Actuator Assembly	37
Optional Tire Scraper Assembly (Model 09225)	38
Attachments and Accessories	39



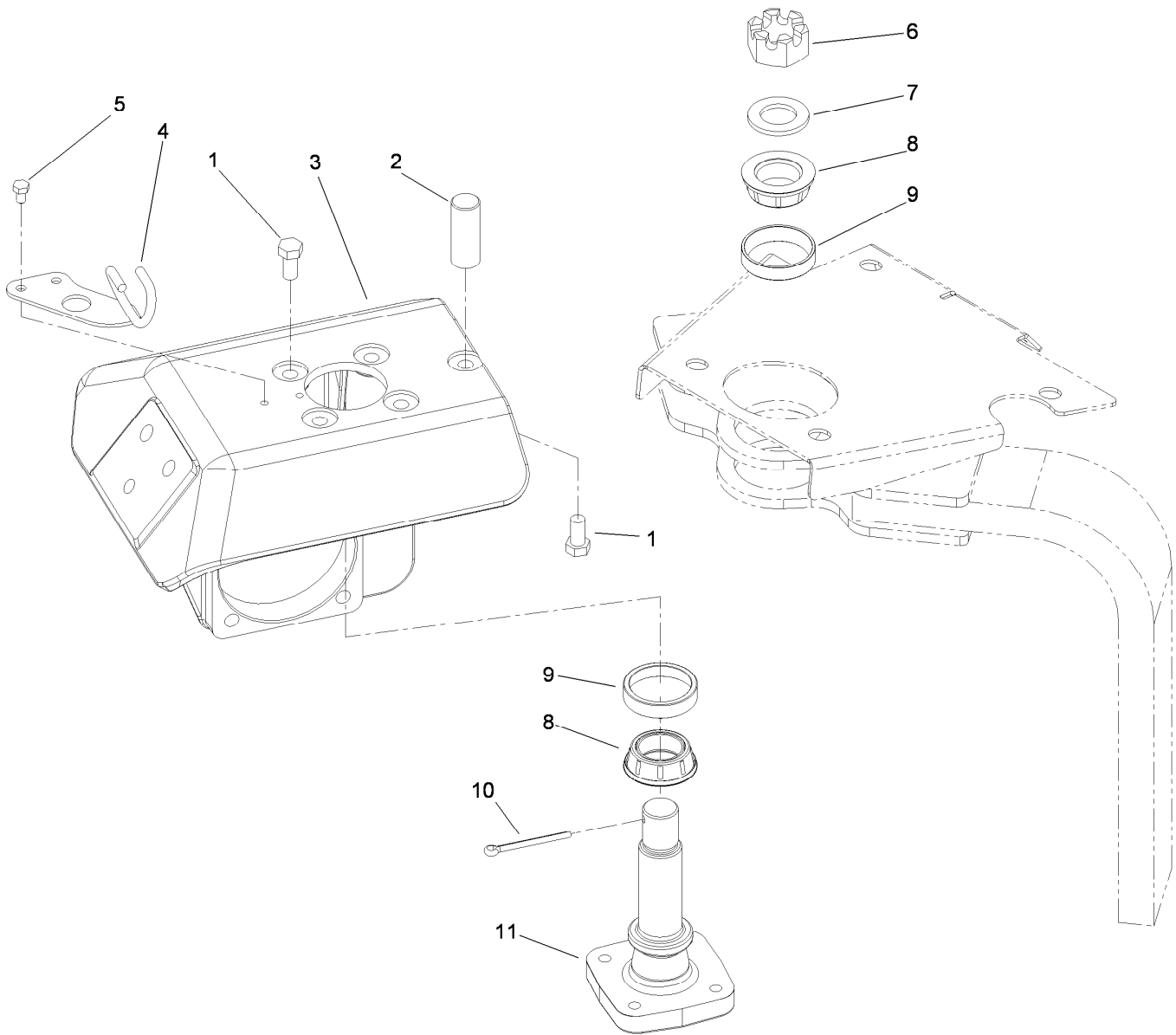
Control Bail Assembly

<i>Ref.</i>	<i>Part Number</i>	<i>Qty.</i>	<i>Description</i>	<i>Ref.</i>	<i>Part Number</i>	<i>Qty.</i>	<i>Description</i>
1	115-4719	2	Bail-Traction	15	100-1270	2	Switch-Proximity
2	107-3350	1	Shaft-Pivot, Bail V	16	100-4872	2	Plate-Switch, Neutral
3	105-1183-03	1	Cover-Handle, Control	17	3229-34	6	Screw-CARR
4	106-8921	1	Switch-Rocker, Off-On	18	256-236	2	Bearing-Mount, Flange
5	32121-45	3	Pin-Spring	19	3256-69	2	Washer-Flat
6	107-3351	1	Bail Lever ASM	20	115-4716	1	Decal-Handle Control Panel, CE
7	99-7410	1	Indicator-Light, Low-Oil Pressure	21	108-2100	1	Washer-Spring, Curved
10	3296-2	6	Nut-Lock, NI	22	3230-18	4	Screw-CARR
11	99-7430	2	Relay-Mini	23	104-8300	4	Nut-HF, NI
12	32104-60	4	Screw-HWH	24	3256-14	2	Washer-Flat
14	107-3361	1	Mount-Switch				



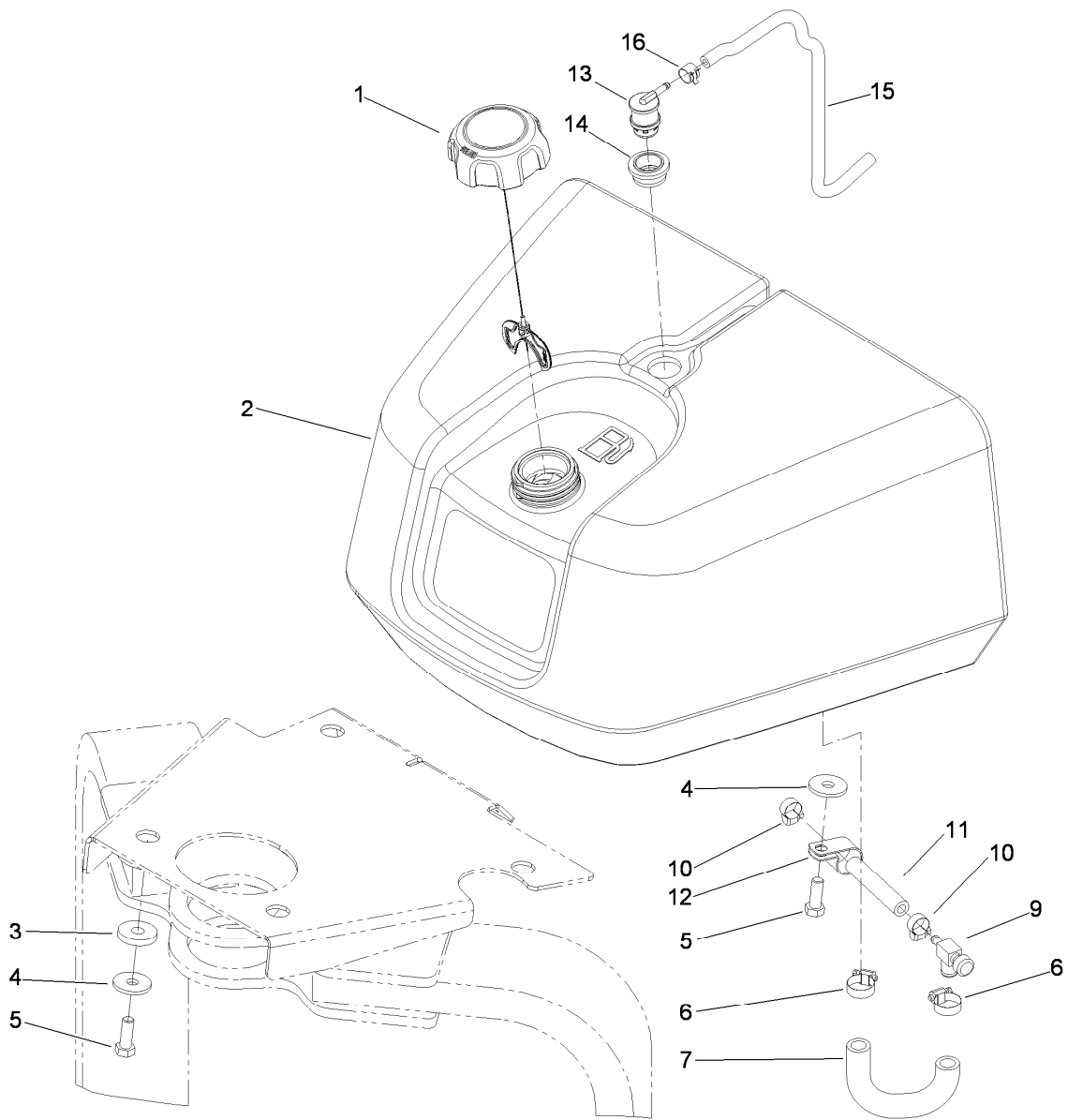
Front Handle Assembly

Ref.	Part Number	Qty.	Description	Ref.	Part Number	Qty.	Description
1	3229-1	1	Bolt-CARR	24	2412-120	2	Clamp-R
2	65-8970	1	Knob-Shift	25	115-6661	1	Rod ASM
3	115-4723-01	1	Handle-Control	25:1	107-3360	1	Spring Retainer ASM
4	32144-44	6	Screw-HWH, Thread Roll	25:2	107-3354	1	Override Rod ASM
5	240-8	1	Grommet-Rubber	25:3	107-3373	1	Spring-Compression
7	80-8680	3	Stud	25:4	22-7810	1	Spacer
8	3296-19	3	Nut-Hex	25:5	3220-1	1	Nut-Jam
9	107-3363-03	1	Cover-Lower, Handle	25:6	3296-3	2	Nut-Lock
10	2412-39	1	Clamp-R	25:7	2411-41	1	Rod End-Ball Joint
11	32128-33	2	Nut-HF	26	32104-60	2	Screw-HWH
13	323-8	1	Screw-HH	27	104-7050	1	Tube-Manual
14	80-7200	1	Spacer-Brake	29	80-7220	1	Cable-Control, Stroke
15	256-206	1	Bushing	29:1	3220-6	4	Nut-Jam
16	86-8420	1	Lever-Brake	29:2	3220-1	2	Nut-Jam
17	3272-10	1	Pin-Cotter	30	321-8	1	Screw-HH
19	104-8301	1	Nut-HF, NI	33	99-3545	1	Spacer
20	106-8896	1	Cable-Latch, Parking	34	93-9363	1	Decal-Brake, Parking
21	3256-23	1	Washer-Plain	35	93-9084	3	Decal-Point, Lift
23	104-7048	1	Cap-Housing				



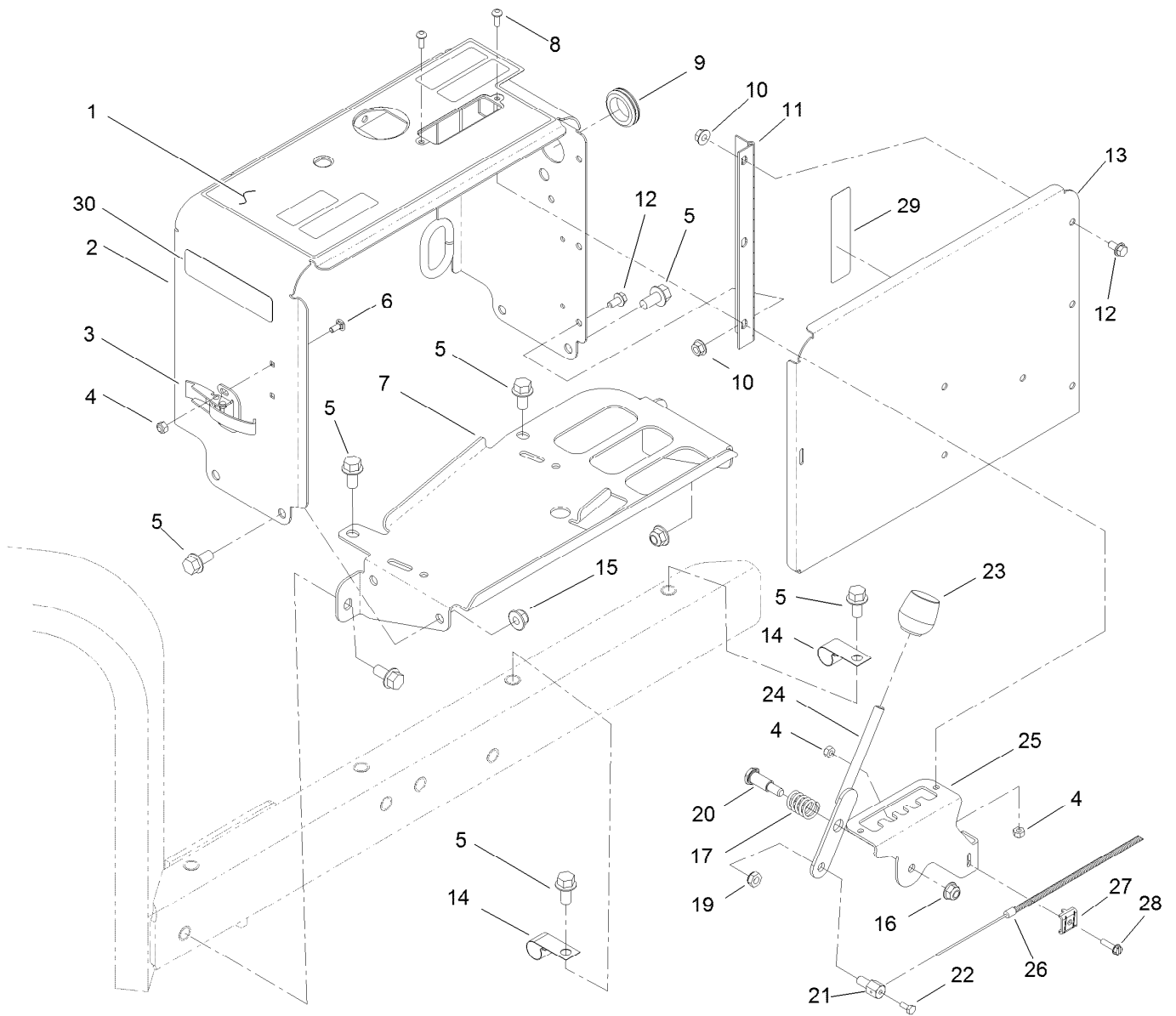
Front Fork Assembly

<i>Ref.</i>	<i>Part Number</i>	<i>Qty.</i>	<i>Description</i>
1	325-4	5	Screw-HH
2	106-8939	1	Stop-Steering
3	108-1252-01	1	Arm-Steering
4	106-8937	1	Cable Guide ASM
5	322-1	2	Screw-HH
6	32136-9	1	Nut-Hex, Slotted
7	107-7597	1	Washer-Plain
8	107-7589	2	Cone-Bearing (W/ Seal)
9	107-7590	2	Cup-Bearing
10	3272-37	1	Pin-Cotter
11	107-7595-03	1	Spindle-Steer



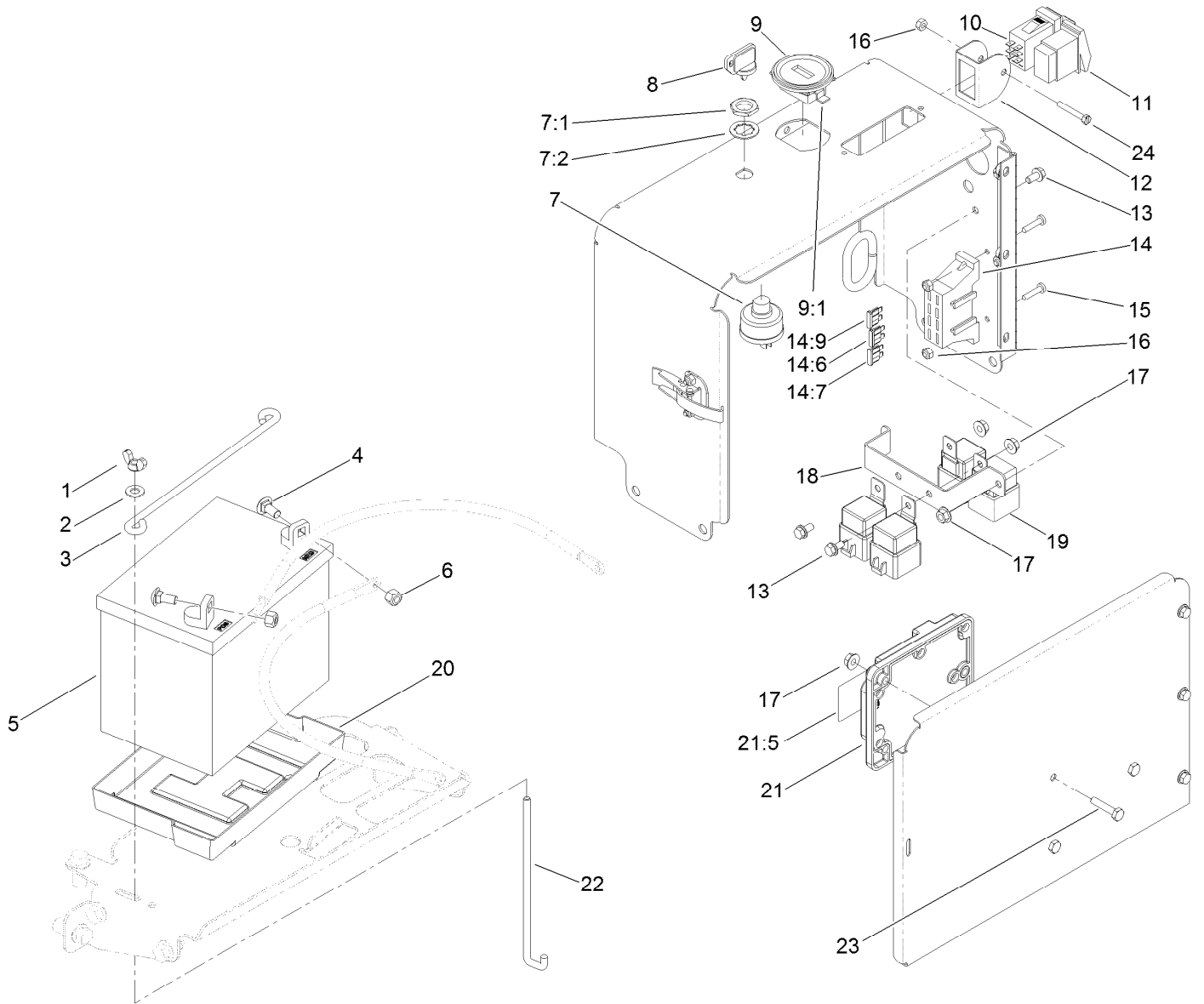
Fuel Tank Assembly

Ref.	Part Number	Qty.	Description
1	137-4127	1	Cap-Fuel
2	115-5387	1	Tank-Fuel
3	240-11	4	Bushing-Flange
4	63-8410	4	Washer
5	323-6	4	Screw-HH
6	2412-36	2	Clamp-Hose
7	108-6818	1	Hose-Fuel, Molded
9	83-1390	1	Valve-Shut-Off, Fuel
10	2412-108	2	Clamp-Worm
11	114-3765	1	Hose-Fuel
12	2412-41	1	Clamp-R
13	114-0285	1	Valve-Rollover
14	114-0284	1	Grommet
15	115-4735	1	Hose-Fuel
16	2412-146	1	Clamp-Hose



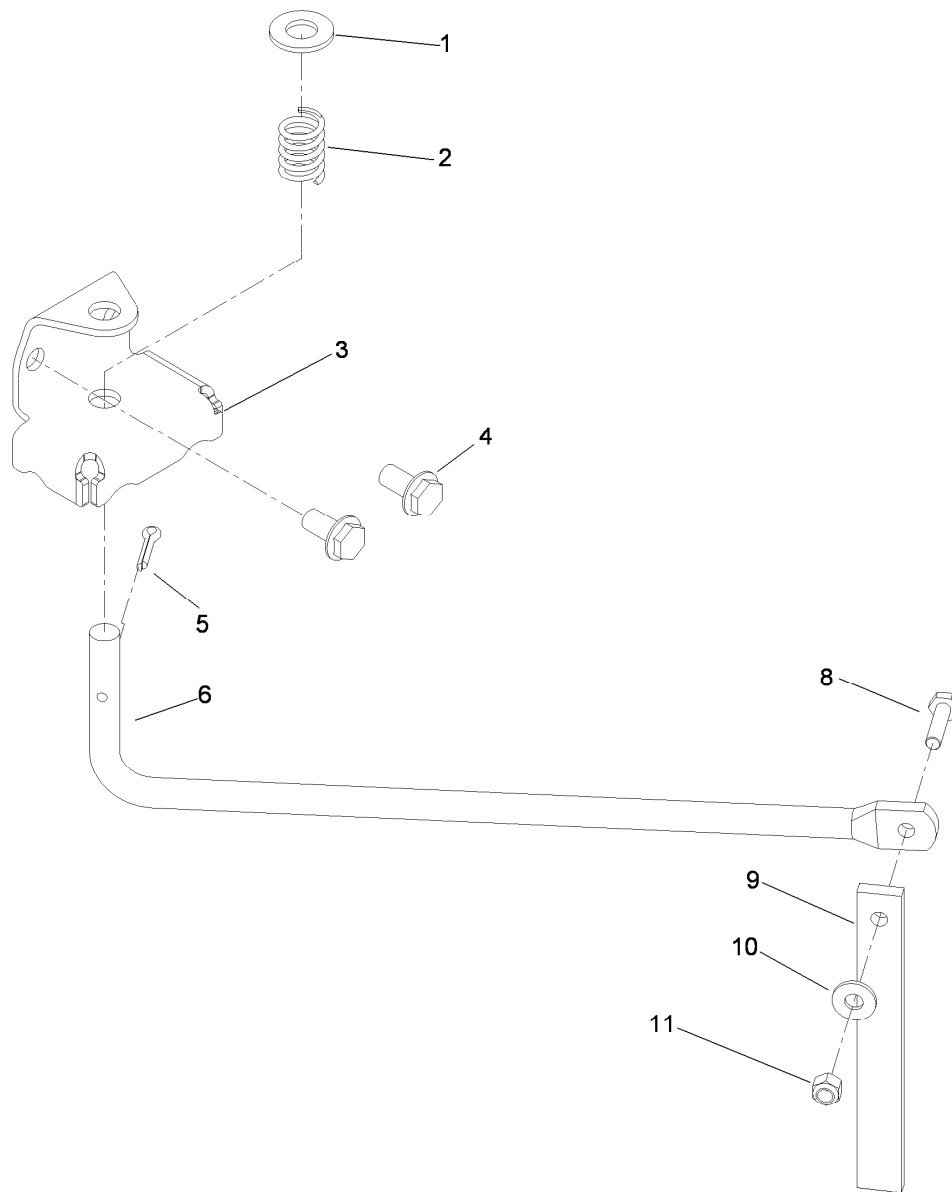
Console Assembly

Ref.	Part Number	Qty.	Description	Ref.	Part Number	Qty.	Description
1	106-8854	1	Decal-Console, Main	16	104-8300	1	Nut-HF, NI
2	105-1175-01	1	Console	17	20-6110	1	Spring-Compression
3	249-21	1	Clamp-Slotted	19	3296-20	1	Nut-Lock, NI
4	3296-2	6	Nut-Lock, NI	20	63-2650	1	Screw-Shoulder
5	3234-1	10	Screw-HHF	21	98-9311	1	Swivel-Throttle
6	104-1450	2	Bolt-CARR	22	25-8640	1	Screw-HH
7	105-1182-01	1	Base-Console	23	233-37	1	Knob
8	3250-12	3	Screw-PPH	24	105-1167	1	Spacing Lever ASM
9	240-5	1	Grommet	25	105-1166-03	1	Bracket-Lever, Spacer
10	32128-33	6	Nut-HF	26	105-1062	1	Cable-Control, Spacing
11	106-8908	1	Hinge-Console	27	81-1690	1	Clamp-Cable
12	3234-13	6	Screw-HHF	28	32105-13	1	Screw-HWH
13	105-1171-01	1	Cover-Console	29	107-7555	1	Decal-Block, Fuse
14	2412-150	2	Clip-J	30	133-8062	1	Decal-Arrestor, Spark
15	104-8301	4	Nut-HF, NI				



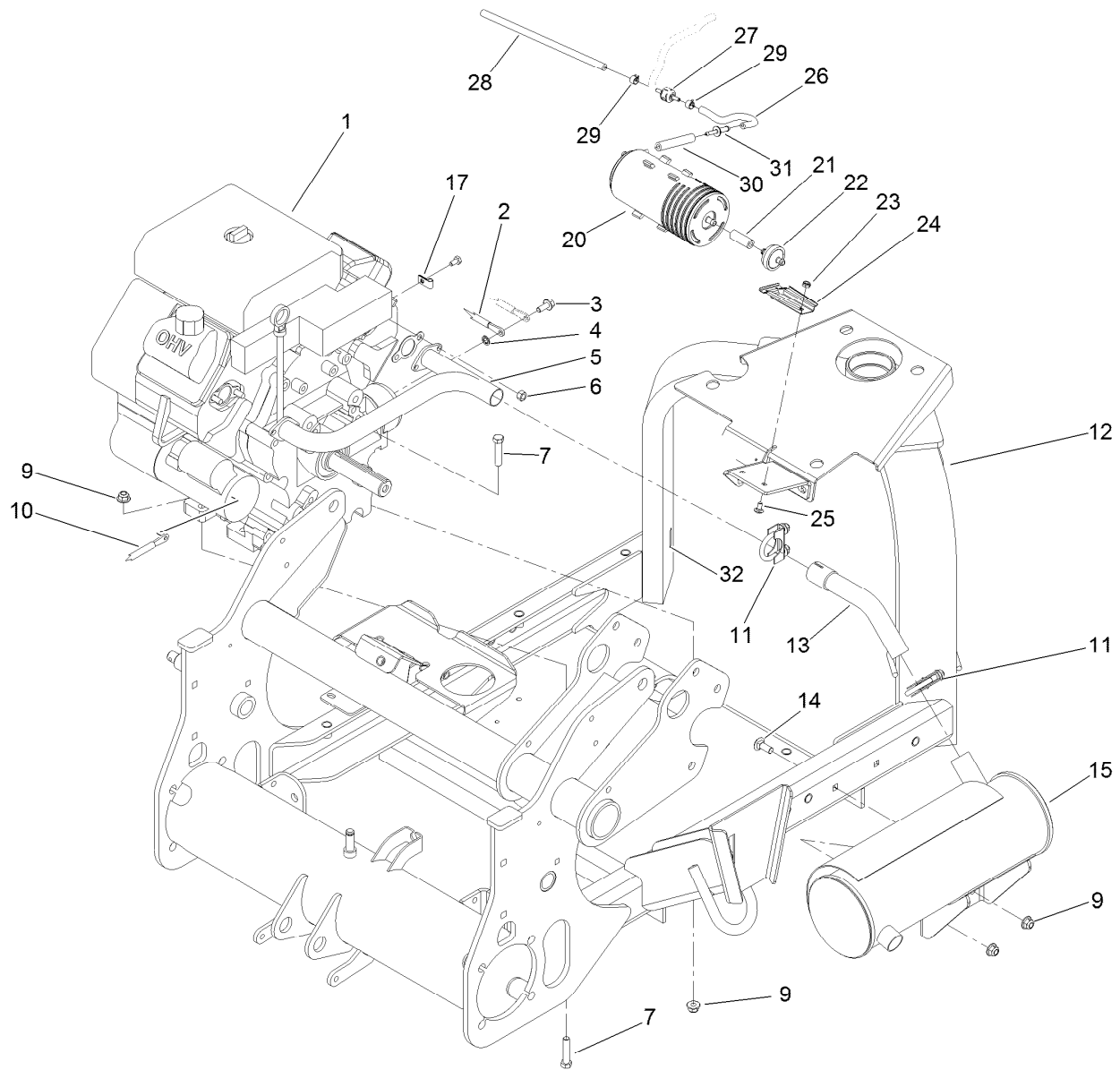
Console Electronics Assembly

Ref.	Part Number	Qty.	Description	Ref.	Part Number	Qty.	Description
1	32103-22	2	Nut-Wing	13	3234-13	3	Screw-HHF
2	3256-23	2	Washer-Plain	14	122-1507	1	Harness-Wire
3	100-6434	1	Rod-Hold Down, Battery	14:6	218-578	2	Fuse-Blade, 10 Amp
4	3230-1	2	Bolt-CARR	14:7	94-6710	1	Fuse-2 Amp
5	104-8162	1	Battery	14:9	109101	1	Fuse-Blade, 20 Amp
6	104-8300	2	Nut-HF, NI	15	3250-27	2	Screw-PPH
7	83-0020	1	Switch-Ignition	16	3296-2	3	Nut-Lock, NI
7:1	218-461	1	Nut-HH	17	32128-33	6	Nut-HF
7:2	3254-5	1	Washer-Lock	18	107-7530-01	1	Bracket-Relay
8	63-8360	2	Key-Ignition	19	99-7430	4	Relay-Mini
9	104-7427	1	Inductive Hourmeter ASM	20	106948	1	Tray-Battery
9:1	104-4234	1	Clip-Mounting	21	106-8831	1	Module-Control, Aerator
10	106-8920	1	Switch-Paddle, On-None-On	21:5	106-8835	1	Decal-Module, Aerator
11	106-2027	1	Switch-Intermittent	22	100-6435	2	Post-Battery
12	105-1158	1	Guard-Switch	23	321-8	3	Screw-HH
				24	32105-1	1	Screw-SHH



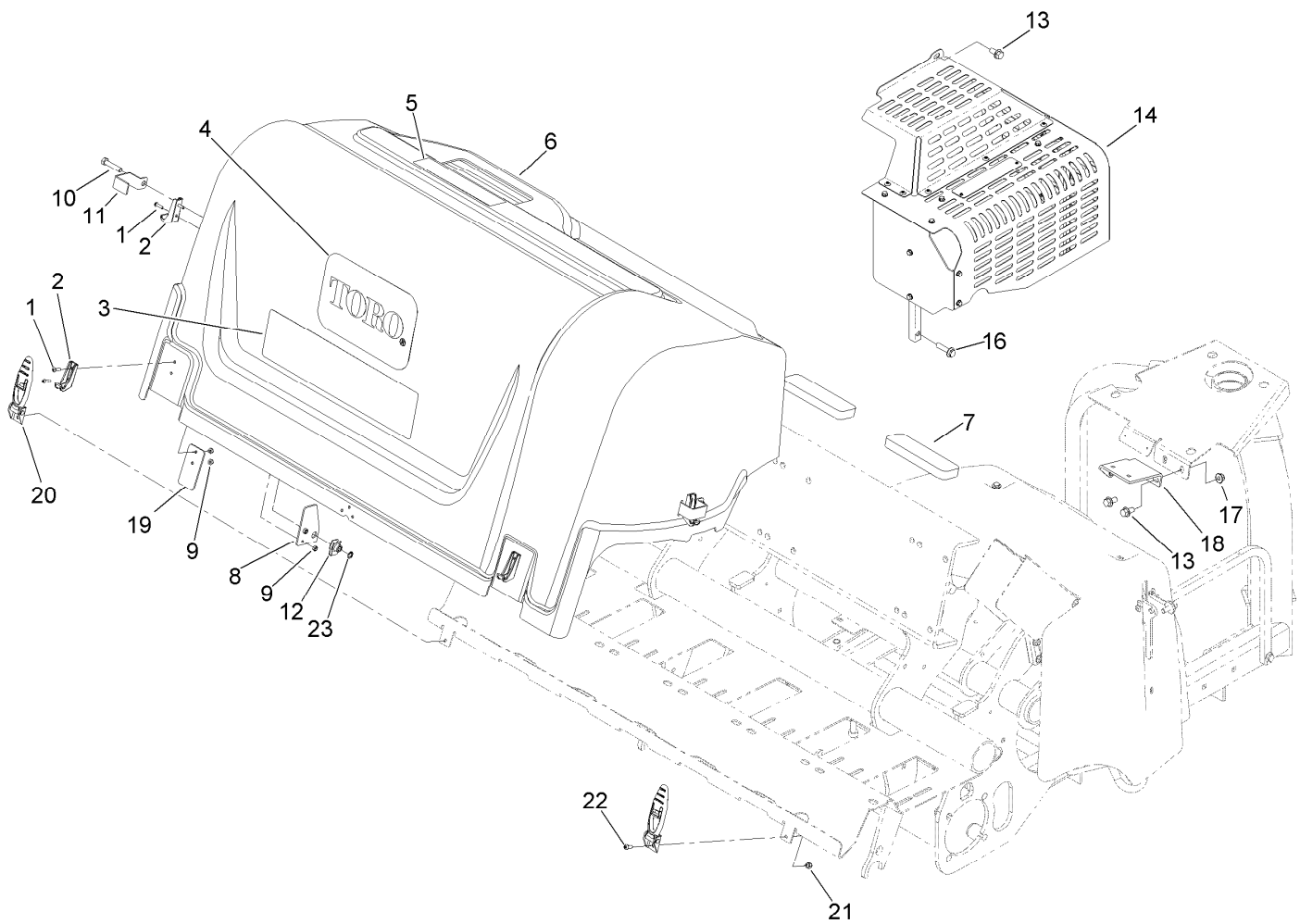
Line Marker Assembly

Ref.	Part Number	Qty.	Description
1	3256-26	2	Washer-Flat
2	20-6110	2	Spring-Compression
3	105-1178-01	2	Bracket-Marker
4	3234-1	4	Screw-HHF
5	3272-31	2	Pin-Cotter
6	105-1179	2	Rod-Marker
8	321-6	2	Screw-HH
9	59-9460	2	Guide
10	3256-2	2	Washer-Flat
11	3296-42	2	Nut-Lock, NI



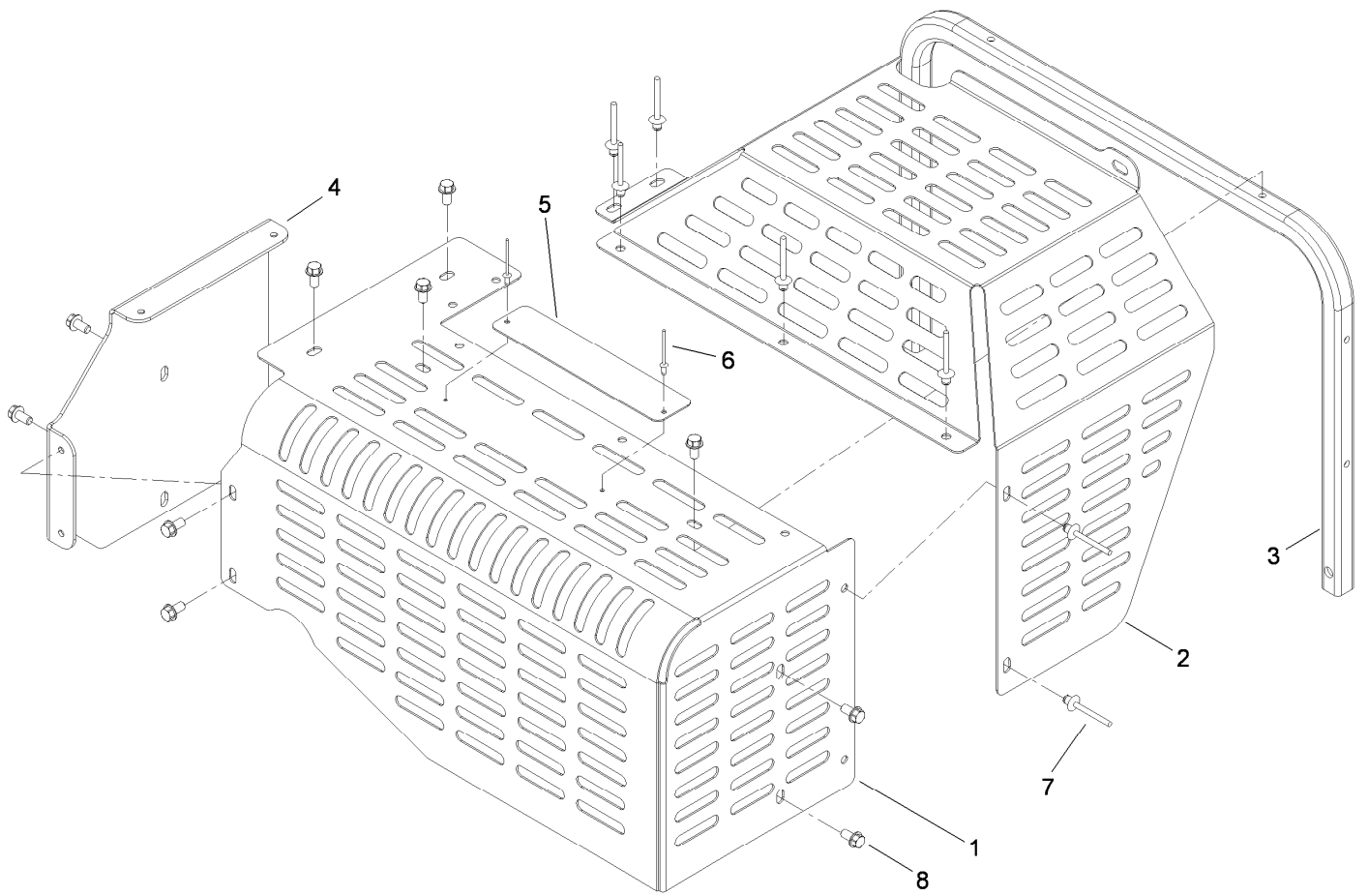
Engine and Muffler Assembly

<i>Ref.</i>	<i>Part Number</i>	<i>Qty.</i>	<i>Description</i>	<i>Ref.</i>	<i>Part Number</i>	<i>Qty.</i>	<i>Description</i>
1	119-0950	1	Engine-Kohler, Ch680-3029 Gas	17	2412-72	1	Clip-Closed, Insulated
2	106-8946	1	Cable-Battery, Negative	20	117-1221	1	Canister-Carbon, 800Cc
3	33104-020	1	Screw-HHF	21	99-9415	1	Hose-Fuel
4	3254-2	1	Washer-Lock, Internal	22	115-7854	1	Filter-Fuel, Inline
5	106-8858	1	Manifold-Exhaust	23	3296-56	2	Nut-Lock, NI
6	33014-00	4	Nut-Hex	24	114-0292	1	Bracket-Canister, Carbon
7	323-9	4	Screw-HH	25	3229-10	2	Screw-CARR
9	104-8301	6	Nut-HF, NI	26	115-4736	1	Hose-Fuel
10	106-8945	1	Cable-Battery, Positive	27	133-8499	1	Valve-Check, Vacuum
11	104-4090	2	Clamp-Muffler	28	51-3217	1	Hose-Fuel
12	106-8910	1	Front Frame ASM	29	2412-146	2	Clamp-Hose
13	106-8857	1	Elbow-Exhaust	30	114-3765	1	Hose-Fuel
14	3231-2	2	Bolt-CARR	31	121-0743	1	Adapter-Orifice
15	106-8859	1	Muffler-Exhaust	32	93-7252	1	Decal



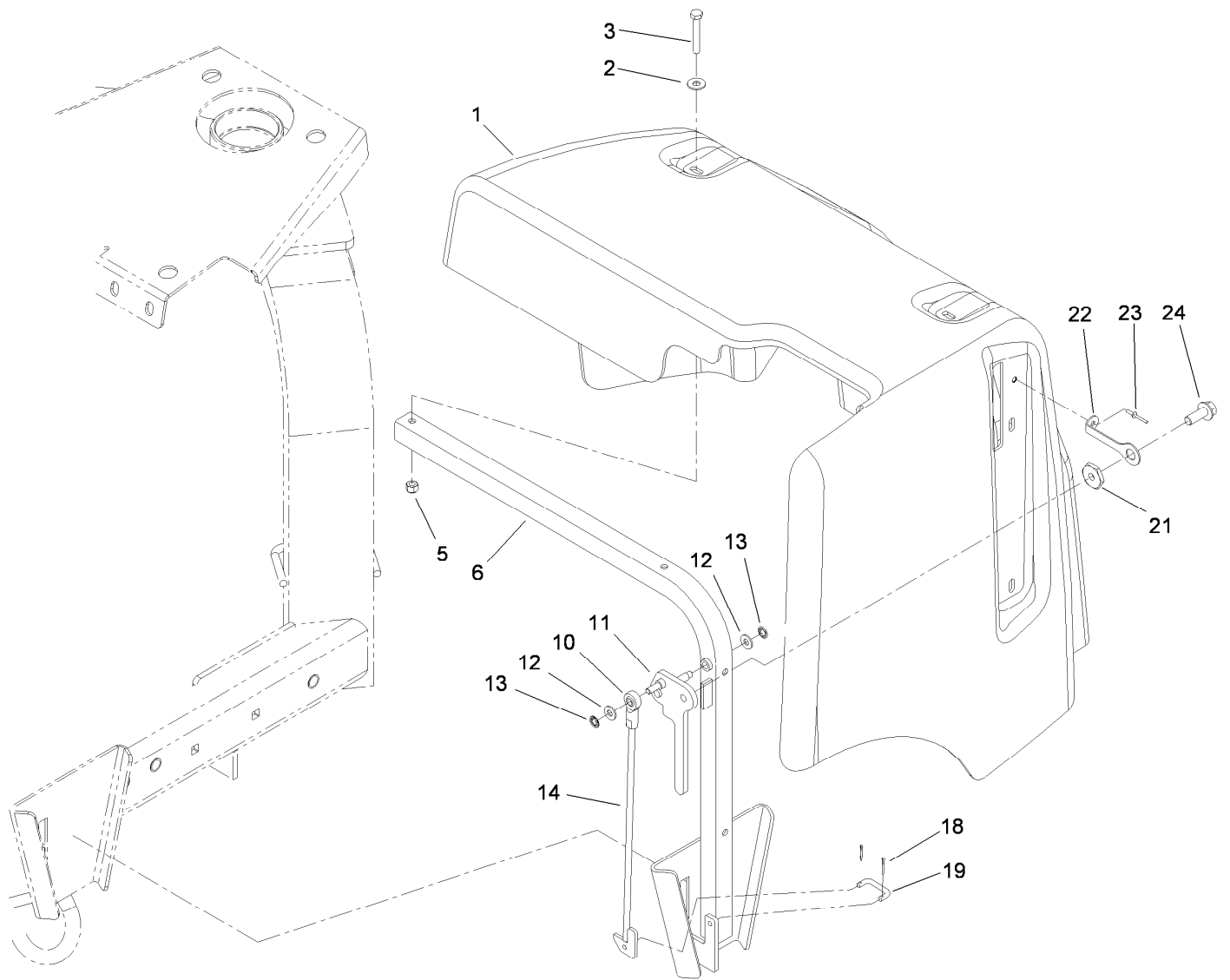
Rear Hood and Muffler Shield Assembly

<i>Ref.</i>	<i>Part Number</i>	<i>Qty.</i>	<i>Description</i>	<i>Ref.</i>	<i>Part Number</i>	<i>Qty.</i>	<i>Description</i>
1	104-2408	8	Screw-HSBH	12	105-4886	2	Nut-Tinnerman
2	103-2897	4	Latch-Catch	13	3234-1	3	Screw-HHF
3	106-8852	1	Decal	14	107-7546	1	Shield ASM
4	67-7310	1	Decal	16	3234-18	2	Screw-HHF
5	106-8856	1	Decal-Depth, Tine	17	104-8301	2	Nut-HF, NI
6	110-1494	1	Hood-Rear	18	115-4734	1	Canister Bracket ASM
7	107-7507	3	Pad-Foam	19	110-1499	2	Plate-Reinforcement
8	110-4672	2	Plate-Reinforcement	20	103-2898	4	Latch-Rubber
9	3296-2	8	Nut-Lock, NI	21	3296-42	4	Nut-Lock, NI
10	323-53	2	Screw-HH	22	3274-31	4	Screw-HSBH
11	110-4673	2	Lock-Latch, CE	23	32151-72	2	Ring-Retaining



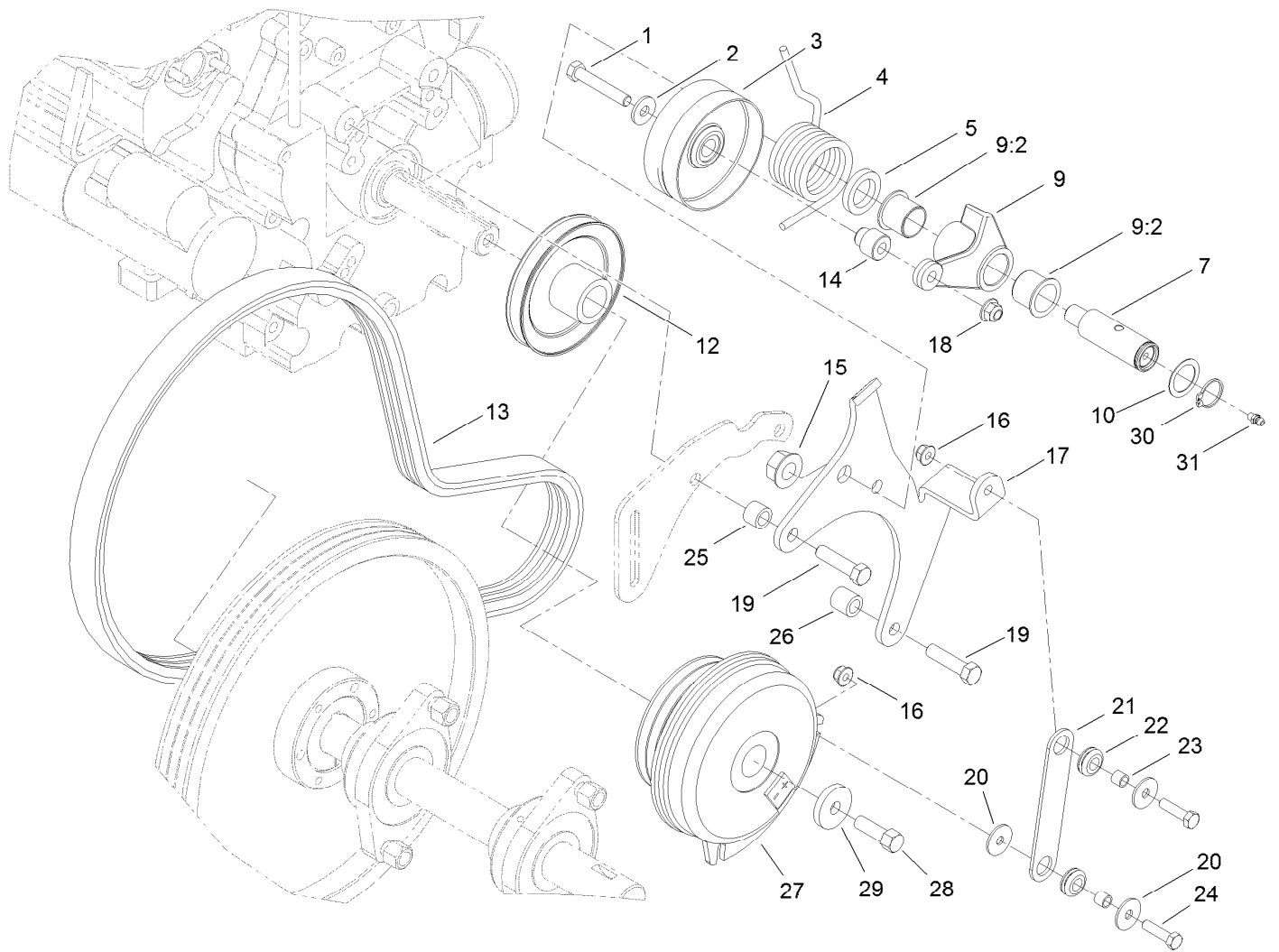
Shield Assembly No. 107-7546

<i>Ref.</i>	<i>Part Number</i>	<i>Qty.</i>	<i>Description</i>
1	106-8903-01	1	Shield-Muffler
2	106-8904-03	1	Shield-Clutch
3	106-8848-01	1	Tube-Shield, Muffler
4	106-8906-01	1	Bracket-Shield, Muffler
5	107-7547	1	Plate-Warning
6	3269-32	2	Rivet-Pop
7	93-8744	7	Rivet-Blind
8	32144-4	10	Screw-HWH



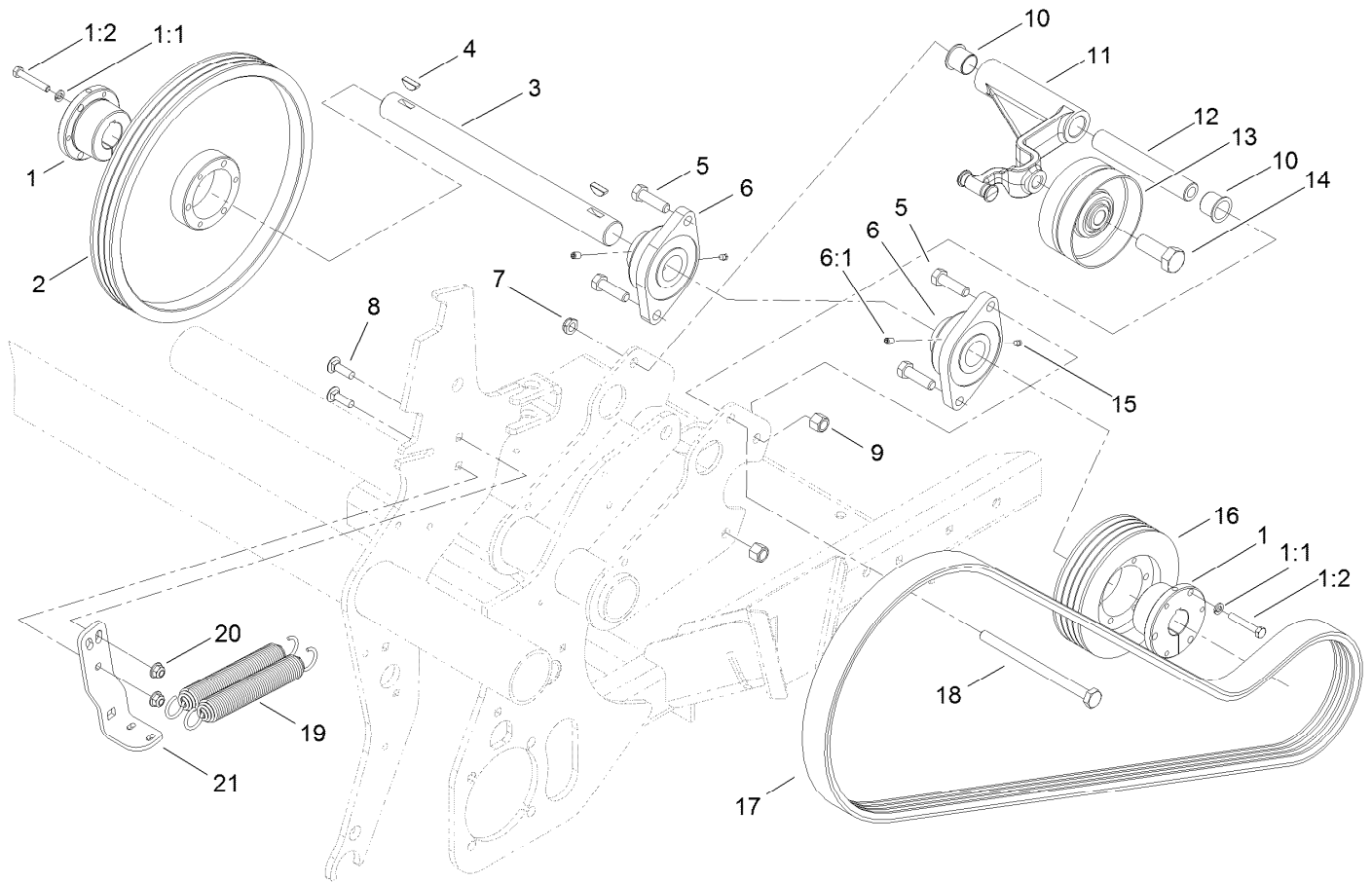
Jackshaft Hood Assembly

<i>Ref.</i>	<i>Part Number</i>	<i>Qty.</i>	<i>Description</i>	<i>Ref.</i>	<i>Part Number</i>	<i>Qty.</i>	<i>Description</i>
1	106-8901	1	Hood-Front	13	104-8310	2	Ring-Retaining
2	100-2400	4	Washer	14	106-8928	1	Hook ASM
3	321-10	4	Screw-HH	18	3272-1	2	Pin-Cotter
5	3296-42	4	Nut-Lock, NI	19	69-9140	1	Link-Lever, Valve
6	106-8846-03	1	Frame-Hood	21	117-8347	1	Nut-Shoulder
10	2411-41	1	Rod End-Ball Joint	22	117-8339	1	Lanyard-3 Inch
11	115-4737-03	1	Lever-Hood	23	3290-55	1	Rivet-Pop
12	3256-22	2	Washer-Flat	24	3234-42	1	Screw-HHF



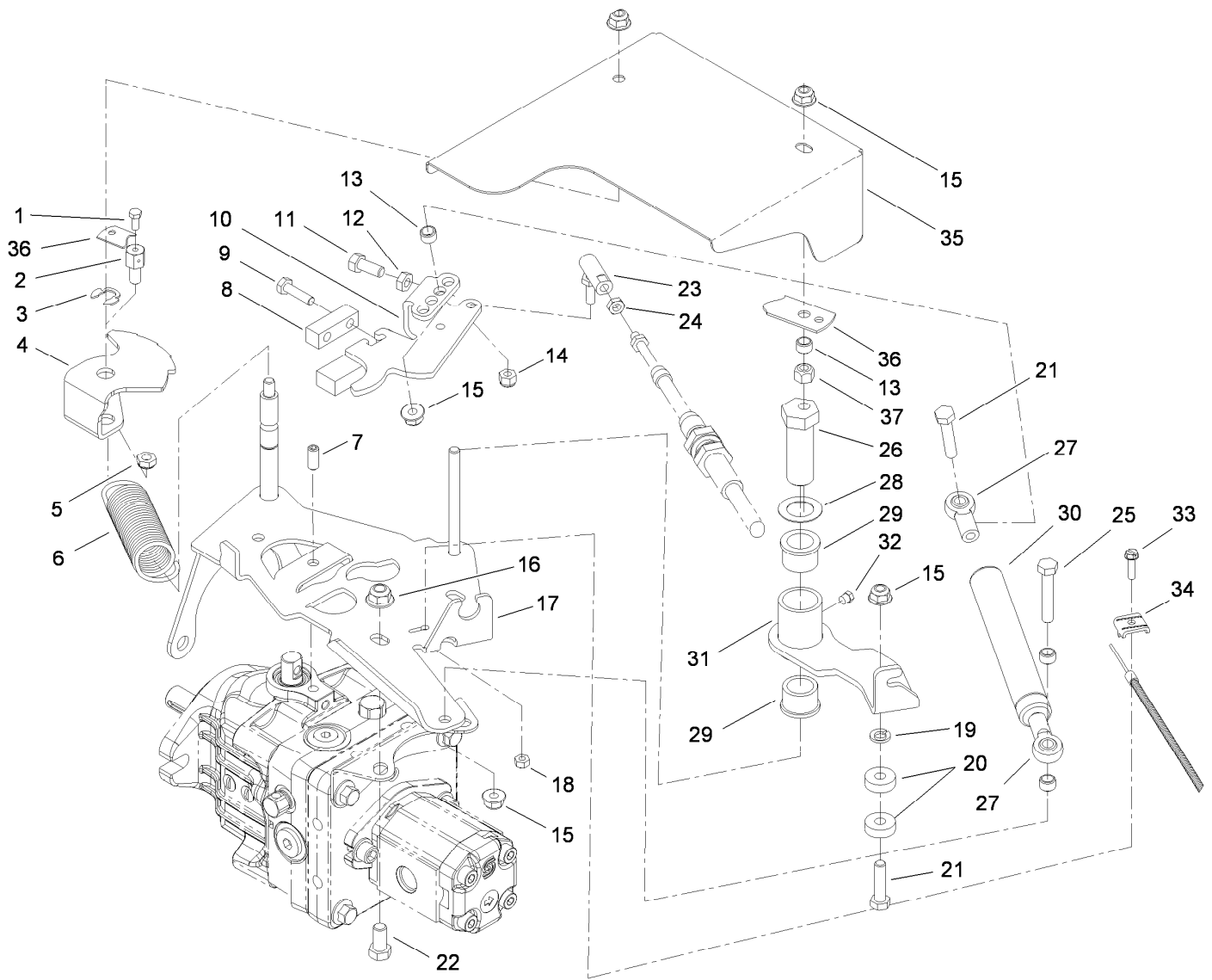
Primary Belt Drive Assembly

<i>Ref.</i>	<i>Part Number</i>	<i>Qty.</i>	<i>Description</i>	<i>Ref.</i>	<i>Part Number</i>	<i>Qty.</i>	<i>Description</i>
1	323-11	1	Screw-HH	18	104-8301	1	Nut-HF, NI
2	80-6990	1	Washer-Hardened	19	324-7	3	Screw-HH
3	99-3621	1	Pulley-Idler	20	3256-82	3	Washer-Flat
4	115-3488	1	Spring-Torsion	21	107-3382	1	Strap-Clutch
5	99-3625	1	Spacer-Arm, Idler	22	1-633630	2	Grommet
7	99-3624	1	Shaft-Pivot, Idler	23	1-633545	2	Spacer
9	137-1653	1	Idler Arm ASM	24	322-6	2	Screw-HH
9:2	126-1963	2	Bushing-Pivot	25	68-5440	2	Spacer
10	74-1810	1	Washer	26	105-0985	1	Spacer-Support, Idler
12	107-3379	1	Pulley	27	108-2126	1	Clutch-Electric
13	105-0989	1	Belt-3V	28	26-0671	1	Screw-HH
14	99-3622	1	Spacer-Idler	29	1-543610	1	Washer-Clutch
15	32128-54	1	Nut-HF	30	32151-36	1	Ring-Retaining
16	104-8300	2	Nut-HF, NI	31	302-5	1	Fitting-Grease
17	115-4724-03	1	Bracket-Mounting, Idler				



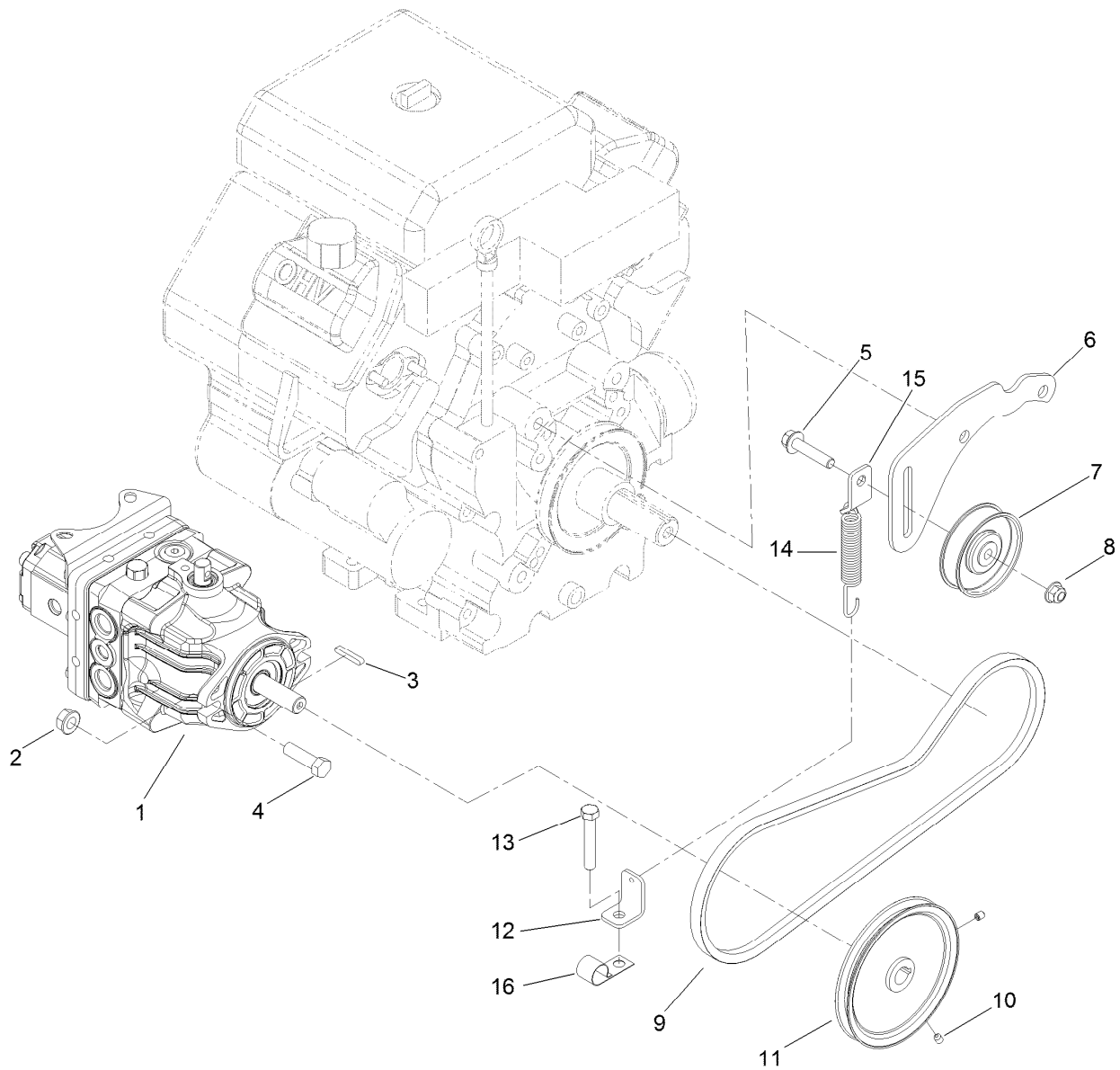
Secondary Belt Drive Assembly

<i>Ref.</i>	<i>Part Number</i>	<i>Qty.</i>	<i>Description</i>	<i>Ref.</i>	<i>Part Number</i>	<i>Qty.</i>	<i>Description</i>
1	59-3790	2	Bushing-Lock, Taper	10	126-1963	2	Bushing-Pivot
1:1	3253-4	3	Washer-Lock	11	105-1132-03	1	Arm-Idler
1:2	322-10	3	Screw-HH	12	105-1172	1	Tube-Pivot, Idler
2	105-0977	1	Pulley-3V	13	100-7631	1	Pulley-Idler
3	105-0975	1	Jackshaft	14	328-24	1	Screw-HH
4	3257-42	2	Key-Woodruff	15	302-59	2	Plug-Threaded
5	325-7	4	Screw-HH	16	105-0976	1	Pulley-3V
6	105-0962	2	Bearing-Mount, Flange	17	105-0991	1	Belt-Banded, 4 Groove
6:1	3246-17	1	Setscrew-HSH	18	325-36	1	Screw-HH
7	3296-45	1	Nut-Hex	19	106-8933	2	Spring-Extension
8	3231-25	2	Bolt-CARR	20	104-8301	2	Nut-HF, NI
9	3296-23	4	Nut-Lock, NI	21	105-1118-03	1	Arm-Spring, Idler



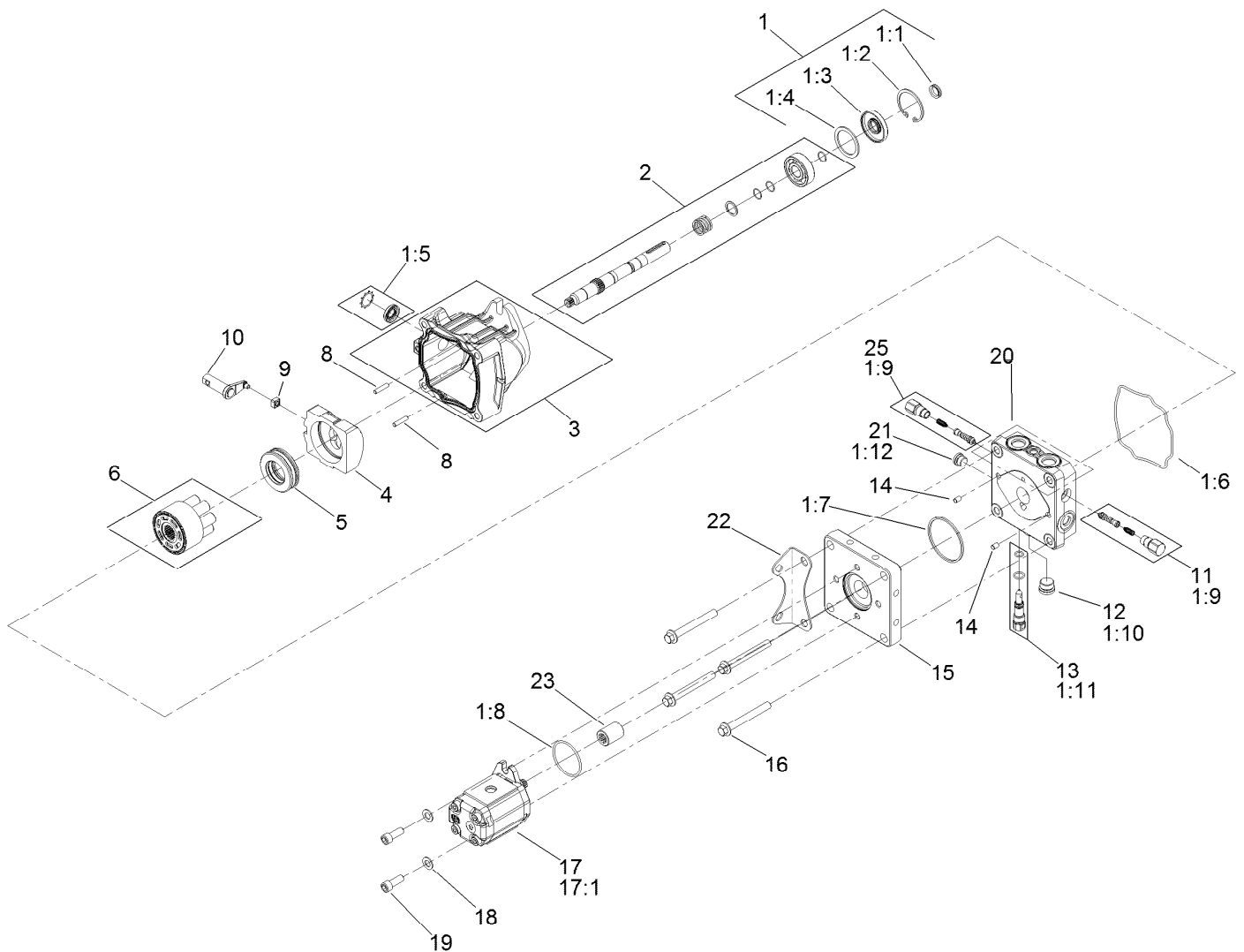
Hydro Control Assembly

Ref.	Part Number	Qty.	Description	Ref.	Part Number	Qty.	Description
1	25-8640	1	Screw-HH	20	251-259	2	Bearing-Ball
2	98-9311	1	Swivel-Throttle	21	322-7	2	Screw-HH
3	32151-68	1	Ring-Retaining	22	323-4	2	Screw-HH
4	105-1129-01	1	Pivot-Selector, Speed	23	2411-34	1	Joint-Ball
5	3296-20	1	Nut-Lock, NI	24	3220-1	1	Nut-Jam
6	115-4712	1	Spring-Extension	25	322-9	1	Screw-HH
7	115-2819	1	Screw-Set, HSH	26	76-8640	1	Stud-Traction
8	105-1109	1	Clamp-Trunnion	27	104-8331	2	End-Rod, Spherical
9	321-6	2	Screw-HH	28	3-6498	1	Washer-Thrust
10	105-1125-01	1	Lever-Pump	29	256-113	2	Bushing-Flange
11	3210-3	1	Screw-HH	30	105-3249	1	Damper
12	3220-2	1	Nut-Jam	31	105-1060-01	1	Lever-Neutral
13	92-3133	4	Spacer-Lever, Traction	32	302-59	1	Plug-Threaded
14	3296-3	1	Nut-Lock	33	32105-13	1	Screw-HWH
15	104-8300	5	Nut-HF, NI	34	81-1690	1	Clamp-Cable
16	104-8301	2	Nut-HF, NI	35	107-7578-01	1	Shield-Hydrostat
17	115-2809-01	1	Bracket-Control	36	108-6836	1	Strap-Traction
18	3296-2	1	Nut-Lock, NI	37	3296-29	1	Nut-Lock, NI
19	3253-4	1	Washer-Lock				



Hydrostat Pump Assembly

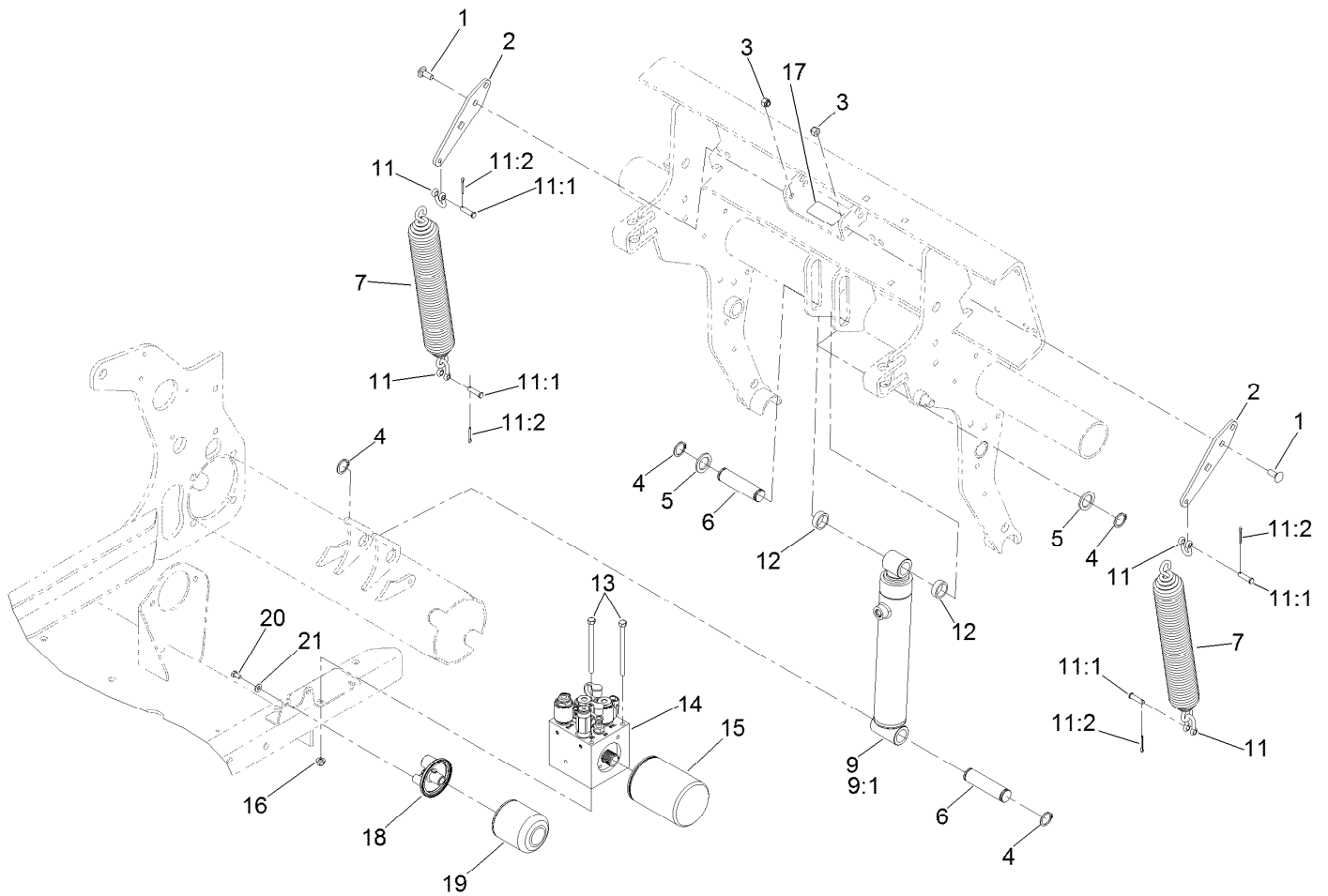
<i>Ref.</i>	<i>Part Number</i>	<i>Qty.</i>	<i>Description</i>	<i>Ref.</i>	<i>Part Number</i>	<i>Qty.</i>	<i>Description</i>
1	131-4754	1	Hydrostat And Pump ASM	9	107-7513	1	V-Belt
2	32128-37	2	Nut-HF	10	3245-7	2	Screw-Set
3	103-2739	1	Key	11	105-0988	1	Pulley-Drive
4	324-6	2	Screw-HH	12	107-7583	1	Bracket-L
5	3234-19	1	Screw-HHF	13	104-3396	1	Screw-HH
6	105-1085-03	1	Support-Idler	14	106-4502	1	Spring-Scraper
7	112426	1	Pulley-Idler	15	107-7588	1	Bracket-Spring
8	104-8301	1	Nut-HF, NI	16	2412-150	1	Clip-J



Hydraulic Pump Assembly No. 131-4754

Ref.	Part Number	Qty.	Description	Ref.	Part Number	Qty.	Description
1	108-2110	1	Overhaul Seal Kit	8		2	Pin ●
1:1		1	V-Ring ●	9		1	Slot-Guide ●
1:2		1	Ring-Retaining ●	10		1	Arm-Trunnion ●
1:3		1	Seal-Shaft ●	11	108-2109	1	Shock Valve Kit
1:4		1	Spacer ●	12		1	Plug ●
1:5		1	Seal-Trunnion ●	13	106-8759	1	Bypass Valve Kit
1:6		1	Gasket-Housing ●	14		2	Pin ●
1:7		1	O-Ring, Sq Section ●	15		1	Plate-Adapter ●
1:8		1	O-Ring, Pump ●	16		4	Screw-Hex, Flange Head ●
1:9		2	O-Ring, Shock Valve ●	17	108-2113	1	Pump-HYD
1:10		1	O-Ring, Plug ●	17:1	106-6362	1	Seal Kit
1:11		1	O-Ring, Bypass ●	18		2	Washer ●
1:12		1	O-Ring, Plug ●	19		2	Capscrew-SHH ●
2		1	Pump Shaft Kit ●	20		1	Endcap Kit ●
3		1	Housing ●	21		1	Plug ●
4		1	Swashplate-Variable ●	22		1	Bracket-Mount ●
5		1	Thrust Bearing ASM ●	23	108-6843	1	Coupling
6	120-1092	1	Cylinder Block Kit	25	131-4753	1	Kit-Shock Valve

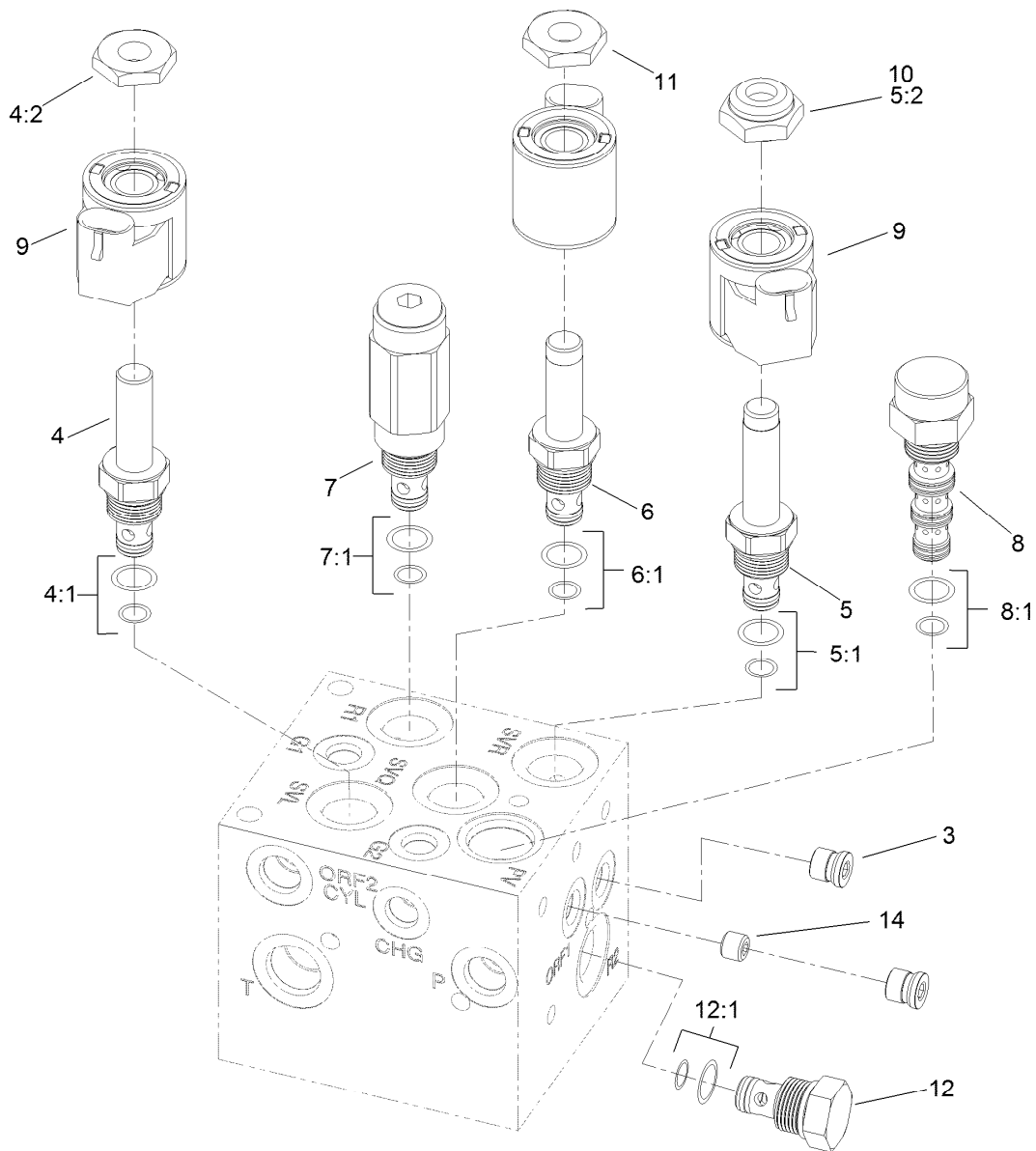
● Not serviced separately



Lift System Assembly

<i>Ref.</i>	<i>Part Number</i>	<i>Qty.</i>	<i>Description</i>	<i>Ref.</i>	<i>Part Number</i>	<i>Qty.</i>	<i>Description</i>
1	3231-2	4	Bolt-CARR	11:2	3272-11	1	Pin-Cotter
2	105-1190-01	2	Plate-Tension, Spring	12	88-7530	2	Spacer
3	104-8301	4	Nut-HF, NI	13	322-38	2	Screw-HH
4	32151-36	4	Ring-Retaining	14	106-8802	1	Manifold-Control
5	256-115	2	Washer-Thrust	15	107-9531	1	Filter-Oil, HYD
6	105-1031	2	Pin-Cylinder	16	104-8300	2	Nut-HF, NI
7	105-1156-03	2	Spring-Extention	17	93-6696	1	Decal-Warning
9	138-5900	1	HYD Cylinder ASM	18	103-2888	1	Head-Filter
9:1	137-6613	1	Seal Kit ●	19	1-633750	1	Filter-Oil, HYD
11	282-4	4	Shackle	20	321-2	2	Screw-HH
11:1	283-6	1	Pin-Clevis	21	3256-22	2	Washer-Flat

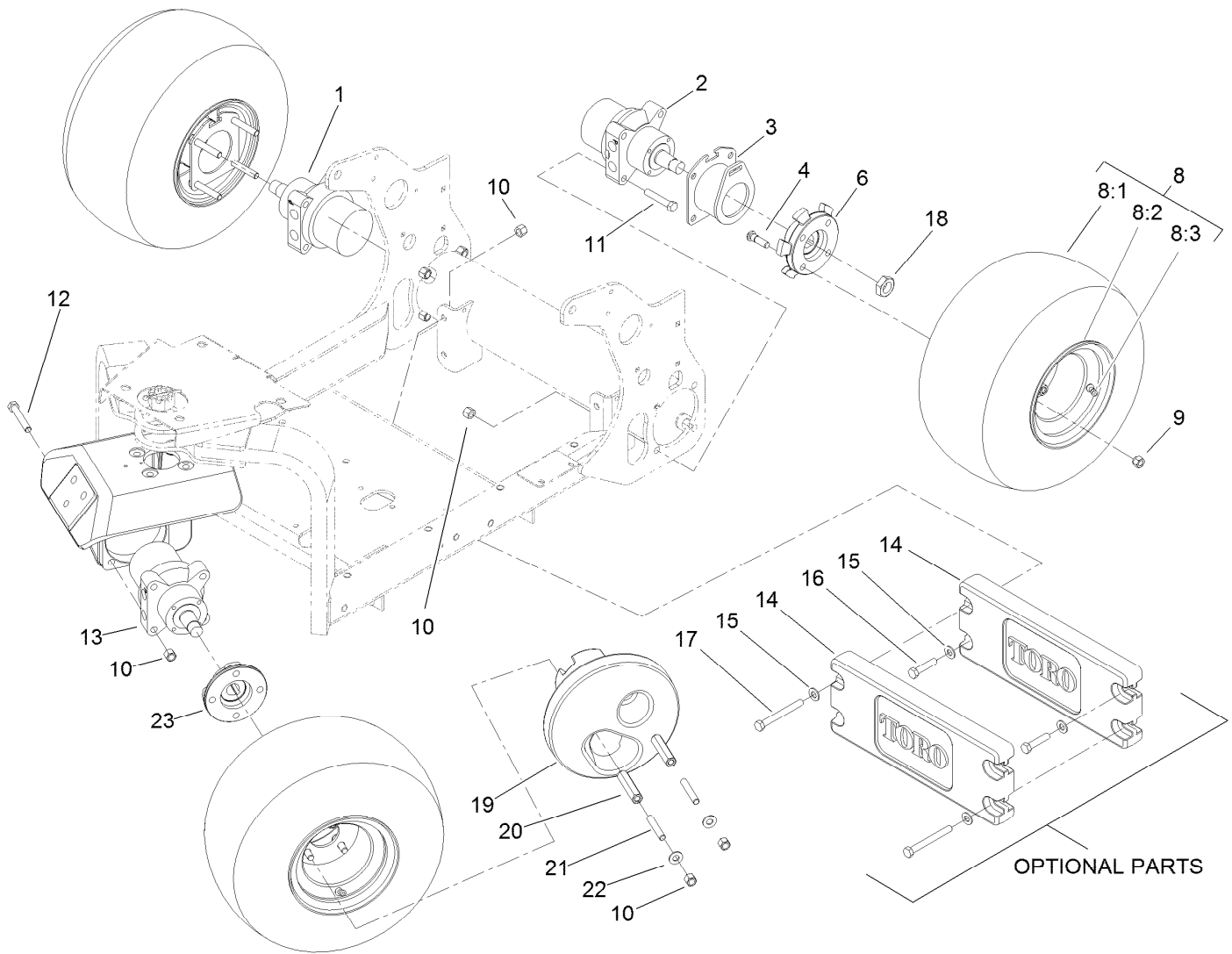
● Not illustrated



Control Manifold Assembly No. 106-8802

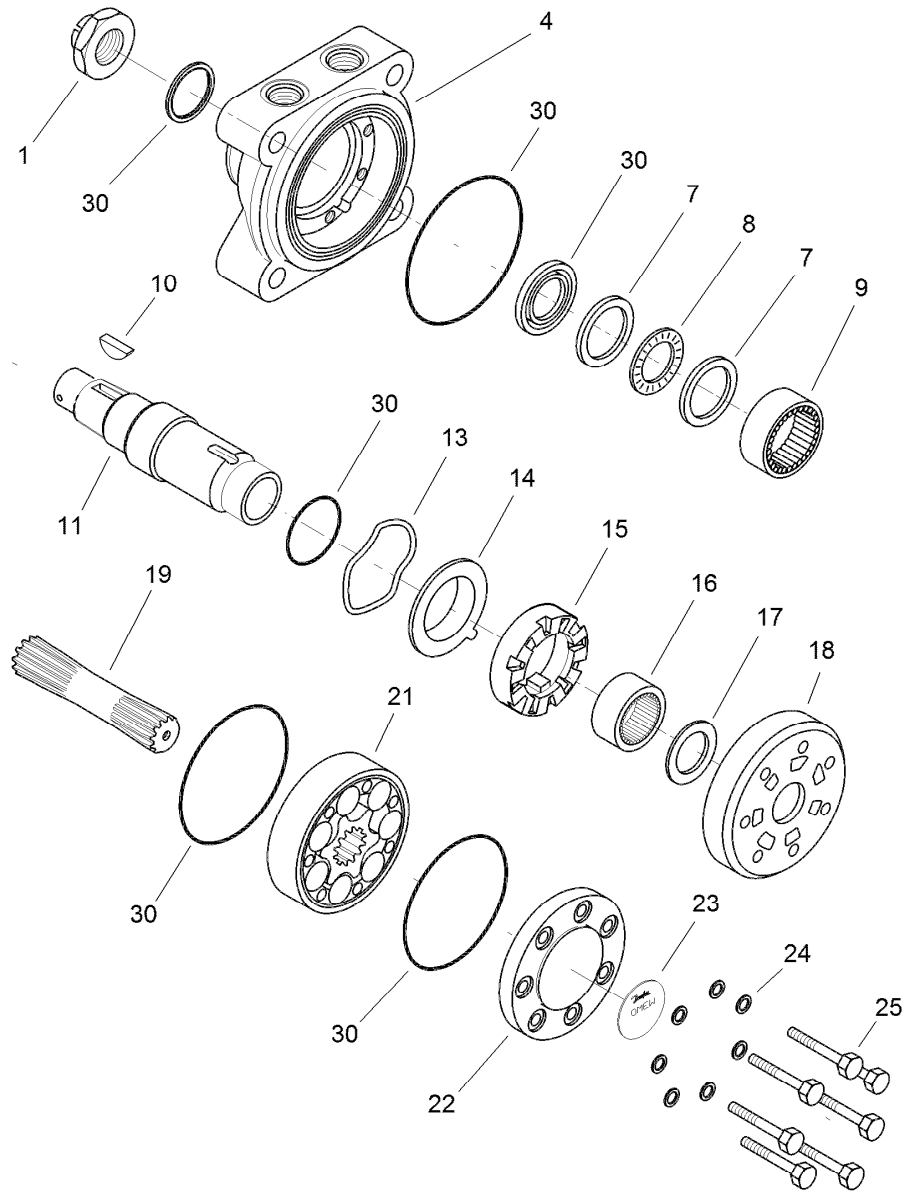
Ref.	Part Number	Qty.	Description
3	106-1025	2	Plug-HYD
4	112-9206	1	Solenoid Valve ASM
4:1	105-9156	1	Seal Kit
4:2	110-2634	1	Nut-Coil
5	107-7517	1	Valve-Solenoid
5:1	105-9156	1	Seal Kit
5:2	107-7812	1	Nut-Solenoid
6	107-7518	1	Valve-Solenoid
6:1	107-7527	1	Seal Kit
7	107-7519	1	Valve-Relief, 900 PSI

Ref.	Part Number	Qty.	Description
7:1	105-9156	1	Seal Kit
8	107-7520	1	Compensator-Pressure (W/Screen)
8:1	110-8908	1	Spool Valve Seal Kit
9	110-0497	3	Coil-Solenoid
10	107-7522	1	Nut-E Coil
11	105-9332	2	Nut-E Coil
12	107-7524	1	Check Valve ASM
12:1	105-9156	1	Seal Kit
14	110-0495	1	Plug-Orifice (0.050 Inch)



Wheel and Motor Assembly

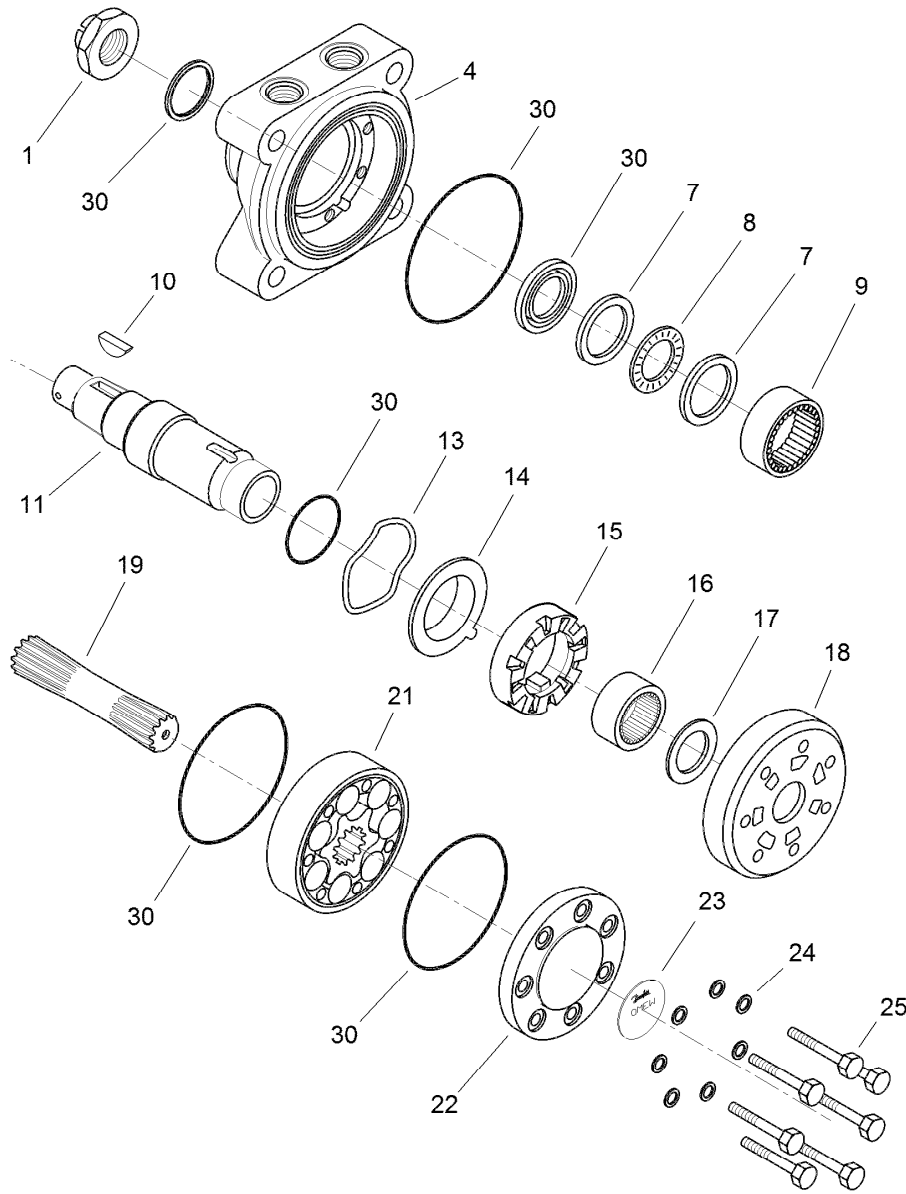
Ref.	Part Number	Qty.	Description	Ref.	Part Number	Qty.	Description
1	106-8807	1	HYD Motor ASM	12	325-13	4	Screw-HH
2	106-8806	1	HYD Motor ASM	13	106-8808	1	HYD Motor ASM
3	106-8881-03	2	Support-Latch, Parking	14	99-6166-01	2	Counterweight-Front
4	85-6540	12	Stud-Drive	15	3256-26	4	Washer-Flat
6	108-2101-03	2	Hub-Wheel, Spoked	16	325-9	2	Screw-HH
8	114-4665	3	Tire ASM	17	325-18	2	Screw-HH
8:1	70-8500	1	Tire-Smooth, 2-Ply	18	26-3790	3	Nut-Lock
8:2	114-4643	1	Wheel	19	107-3396-03	1	Weight-Wheel
8:3	232-27	1	Stem-Valve	20	107-3399	2	Adapter-Weight, Wheel
9	242-50	10	Nut-Lug	21	105-1088	2	Stud
10	3296-23	18	Nut-Lock, NI	22	87-7270	2	Washer-Thrust
11	325-11	8	Screw-HH	23	108-2103-03	1	Hub-Wheel



(CCW) Hydraulic Motor Assembly No. 106-8808

Ref.	Part Number	Qty.	Description	Ref.	Part Number	Qty.	Description
1		1	Nut-Castellated ●	16		1	Bearing-Needle, Radial ●
4		1	Housing ●	17		1	Race-Bearing ●
7		2	Race-Bearing ●	18		1	Plate-Distributor ●
8		1	Bearing-Needle, Axial ●	19		1	Shaft-Cardan ●
9		1	Bearing-Needle, Radial ●	21		1	Gearwheel Set ●
10	3257-42	1	Key-Woodruff	22		1	Cover-End ●
11		1	Shaft-Tapered ●	23		1	Plate-Name ●
13		1	Washer-Spring ●	24		7	Washer ●
14		1	Plate-Balance ●	25		7	Screw ●
15		1	Disc-Valve ●	30	109-5966	1	Wheel Motor Seal Kit

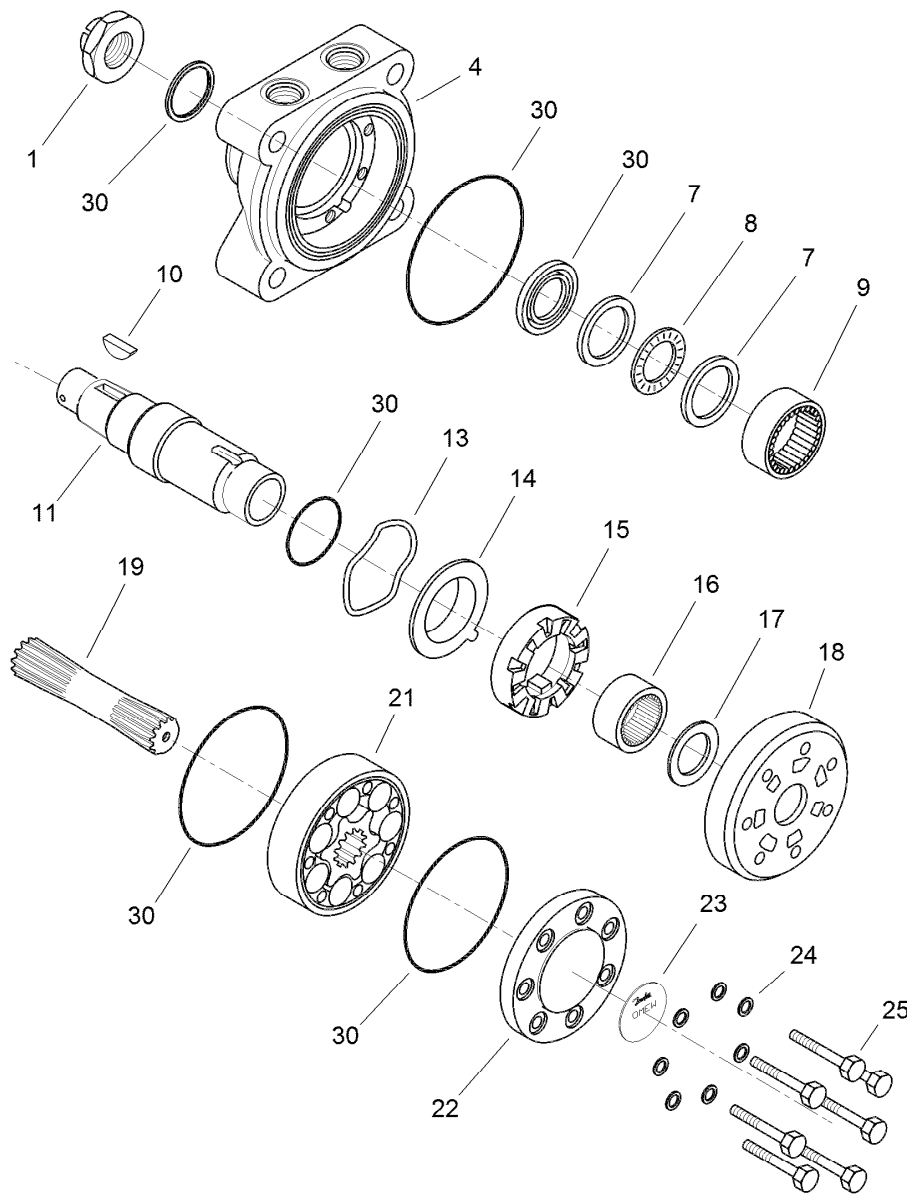
● Not serviced separately



(CW) Hydraulic Motor Assembly No. 106-8807

Ref.	Part Number	Qty.	Description	Ref.	Part Number	Qty.	Description
1		1	Nut-Castellated ●	16		1	Bearing-Needle, Radial ●
4		1	Housing ●	17		1	Race-Bearing ●
7		2	Race-Bearing ●	18		1	Plate-Distributor ●
8		1	Bearing-Needle, Axial ●	19		1	Shaft-Cardan ●
9		1	Bearing-Needle, Radial ●	21		1	Gearwheel Set ●
10	3257-42	1	Key-Woodruff	22		1	Cover-End ●
11		1	Shaft-Tapered ●	23		1	Plate-Name ●
13		1	Washer-Spring ●	24		7	Washer ●
14		1	Plate-Balance ●	25		7	Screw ●
15		1	Disc-Valve ●	30	109-5966	1	Wheel Motor Seal Kit

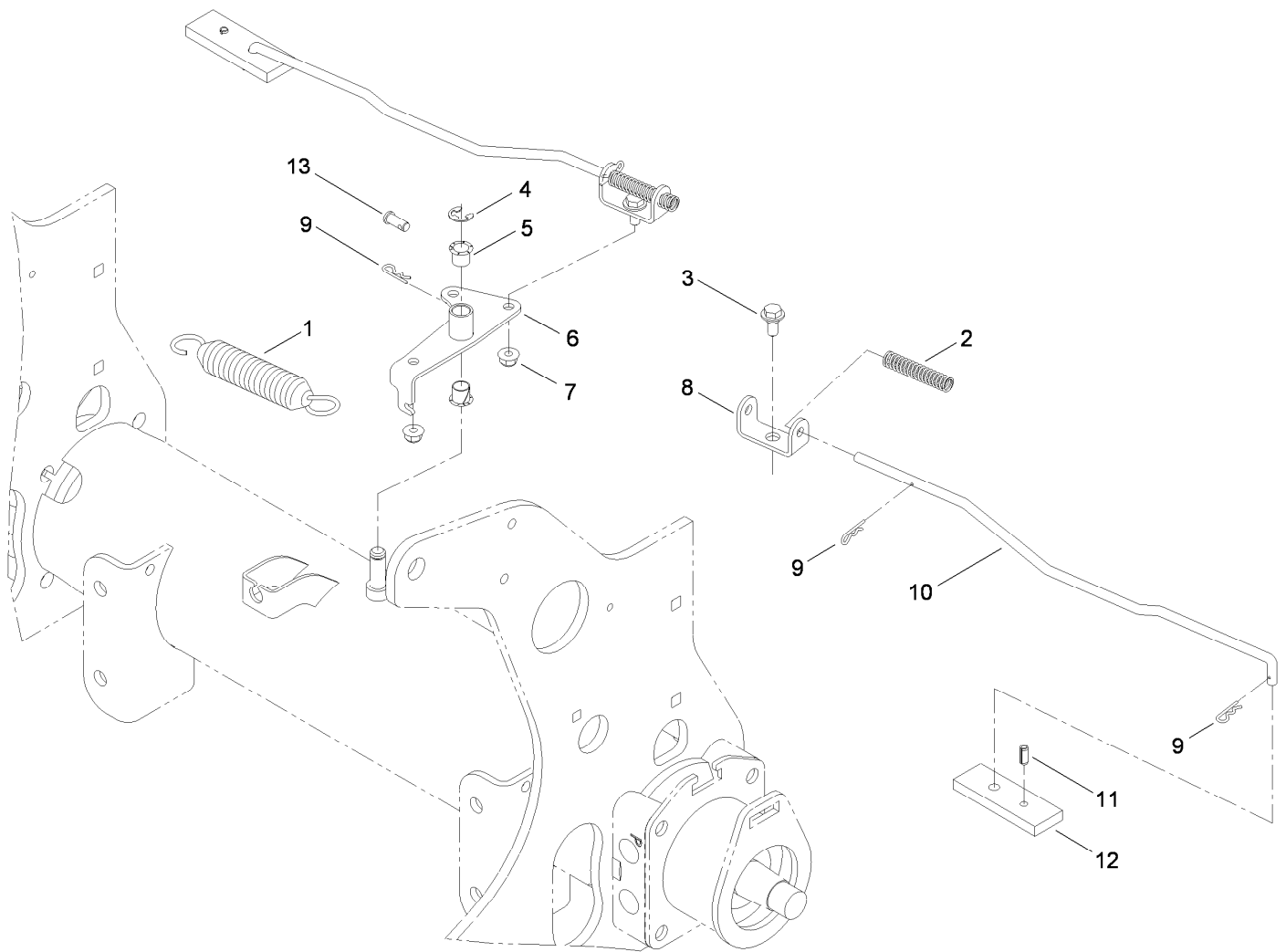
● Not serviced separately



(CCW) Hydraulic Motor Assembly No. 106-8806

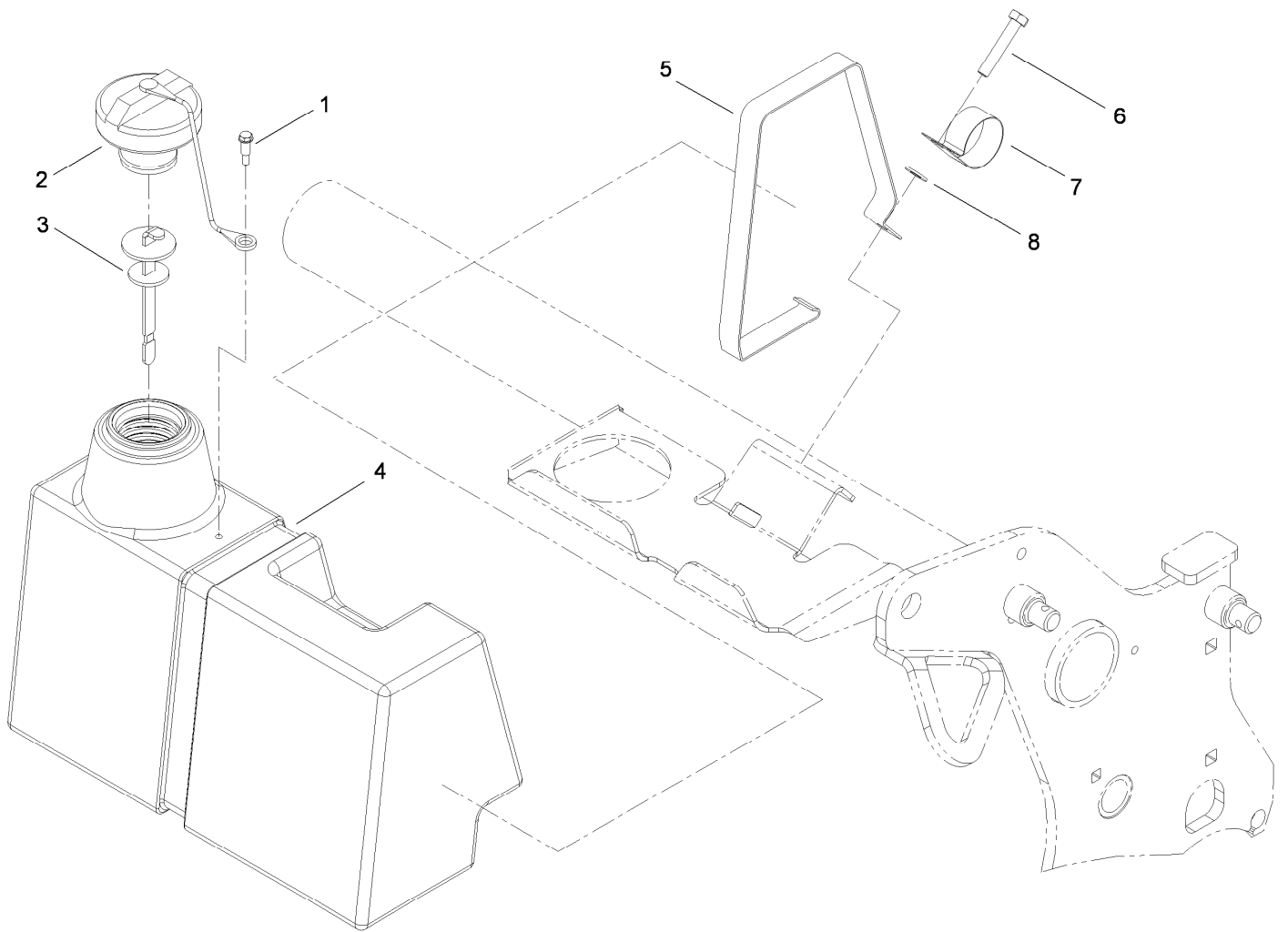
Ref.	Part Number	Qty.	Description	Ref.	Part Number	Qty.	Description
1		1	Nut-Castellated ●	16		1	Bearing-Needle, Radial ●
4		1	Housing ●	17		1	Race-Bearing ●
7		2	Race-Bearing ●	18		1	Plate-Distributor ●
8		1	Bearing-Needle, Axial ●	19		1	Shaft-Cardan ●
9		1	Bearing-Needle, Radial ●	21		1	Gearwheel Set ●
10	3257-42	1	Key-Woodruff	22		1	Cover-End ●
11		1	Shaft-Tapered ●	23		1	Plate-Name ●
13		1	Washer-Spring ●	24		7	Washer ●
14		1	Plate-Balance ●	25		7	Screw ●
15		1	Disc-Valve ●	30	109-5966	1	Wheel Motor Seal Kit

● Not serviced separately



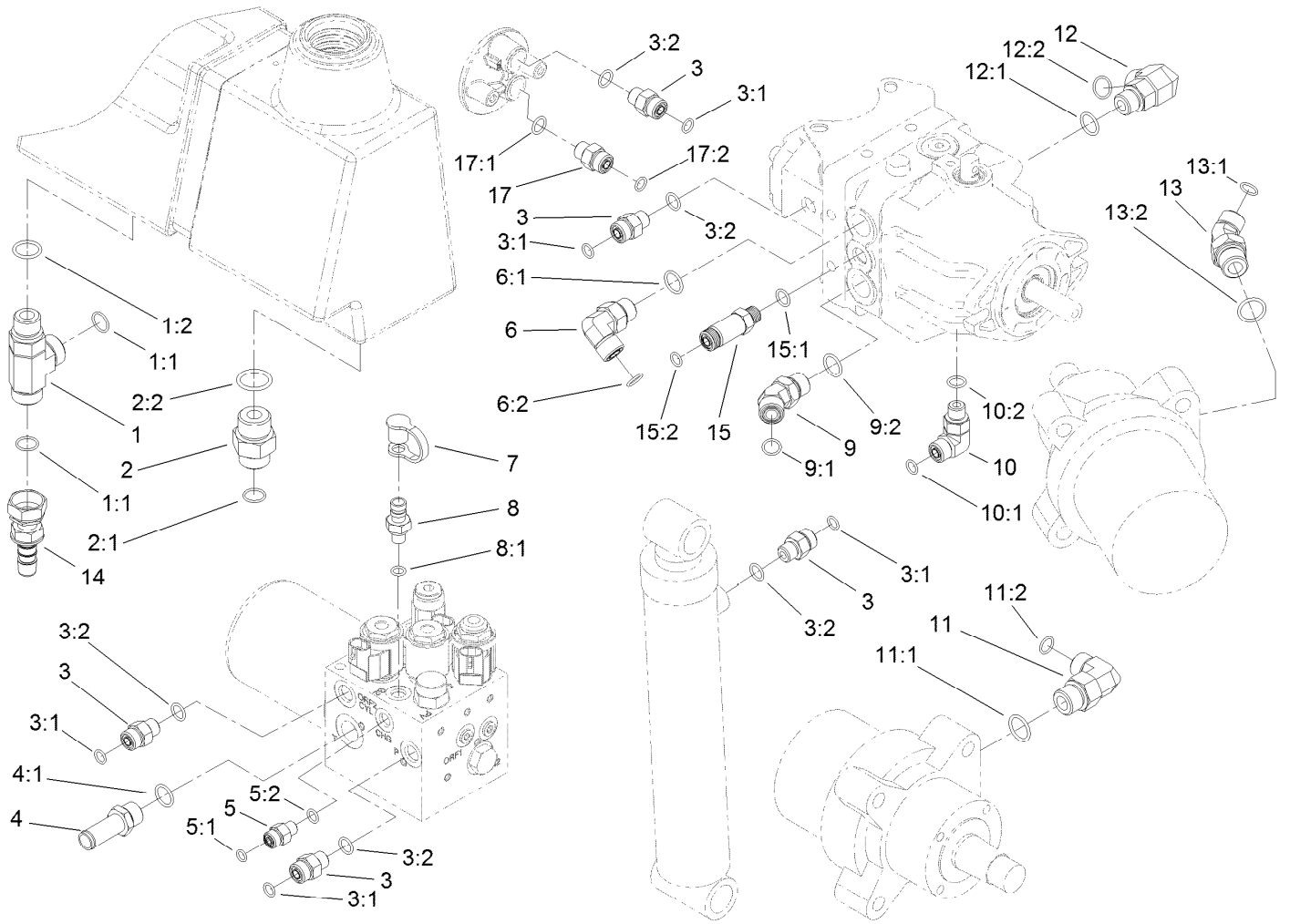
Brake Latch Assembly

Ref.	Part Number	Qty.	Description
1	66-4270	1	Spring-Extension
2	107-3376	2	Spring-Compression
3	19-1470	2	Screw-Shoulder
4	32120-47	2	Ring-Retaining, External
5	256-257	2	Bushing-Nyliner
6	106-8887-03	1	Pivot-Latch, Parking
7	104-8300	2	Nut-HF, NI
8	114-0631	2	Clevis-Latch, Parking
9	3290-307	5	Pin-Cotter
10	106-8886	2	Link-Latch, Parking
11	32121-134	2	Pin-Roll
12	106-8885-03	2	Bar-Latch, Parking
13	283-62	1	Pin-Clevis



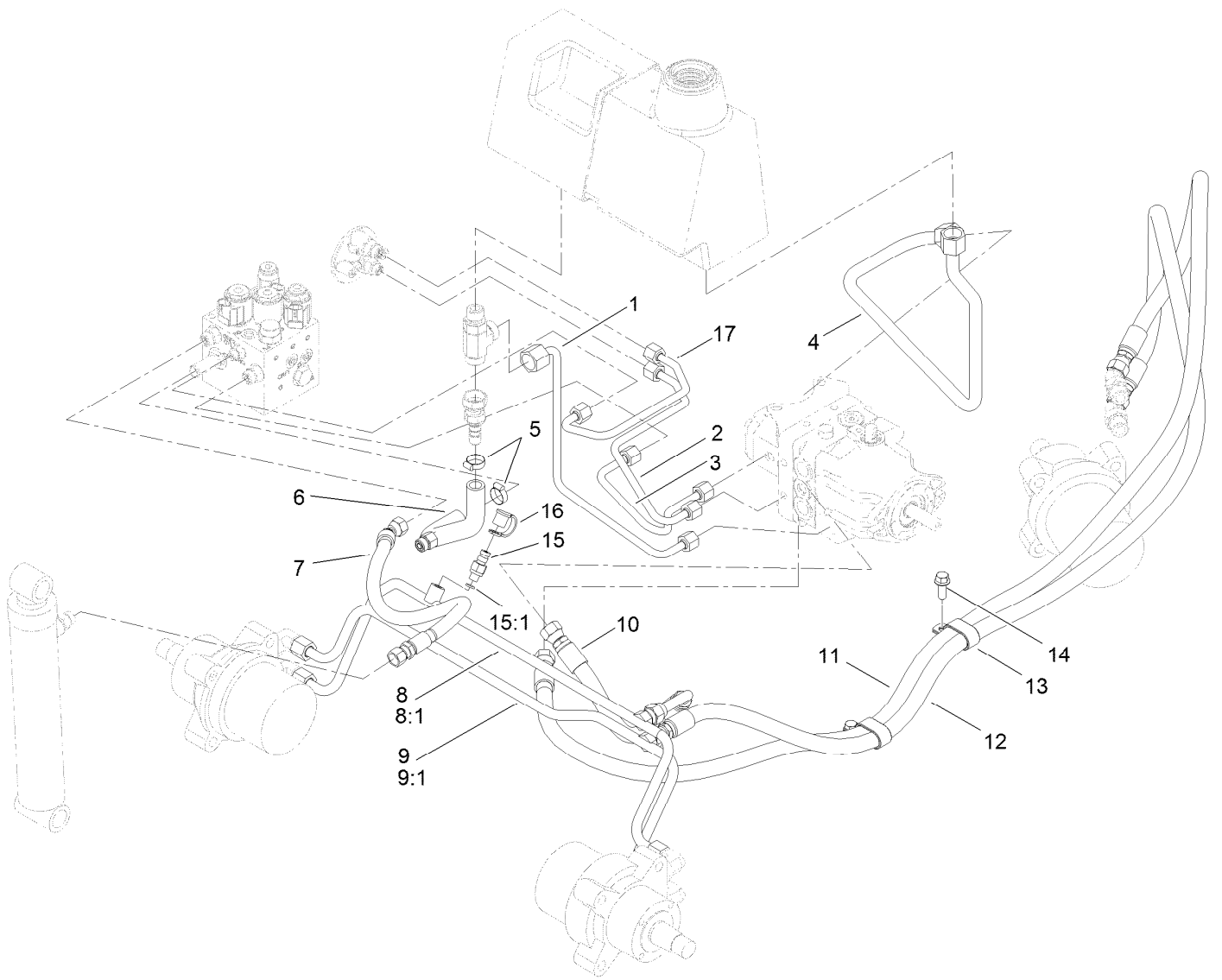
Hydraulic Tank Assembly

<i>Ref.</i>	<i>Part Number</i>	<i>Qty.</i>	<i>Description</i>
1	57-5420	1	Screw-Shoulder
2	93-7160	1	Cap-Oil, HYD
3	106-8811	1	Dipstick ASM
4	127-4162	1	Reservoir-Oil, HYD
5	94-4642-03	1	Strap-Tank, HYD
6	120-6000	1	Bolt-TAP, HH
7	2412-150	1	Clip-J
8	3256-23	1	Washer-Plain



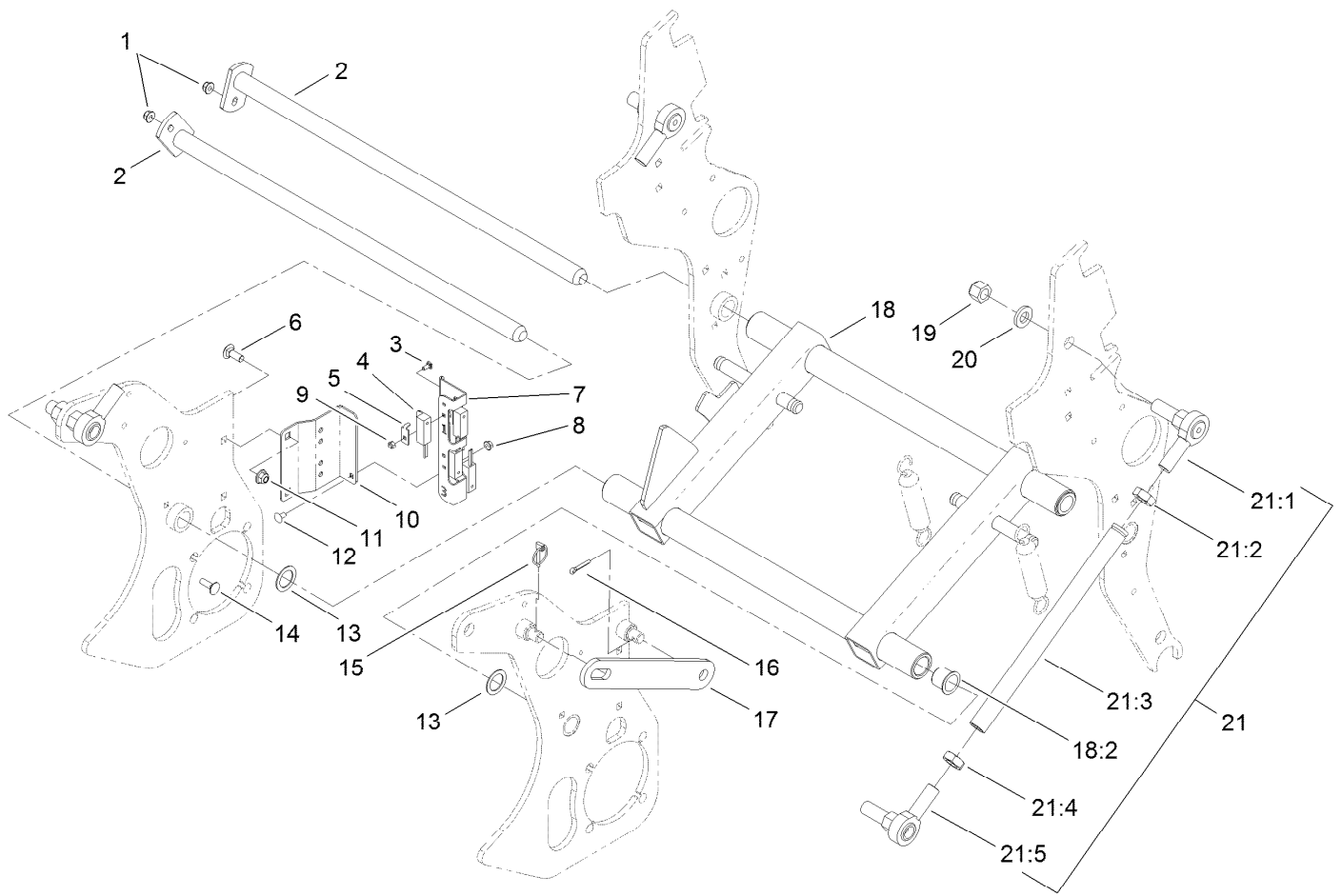
Hydraulic Fitting Assembly

Ref.	Part Number	Qty.	Description	Ref.	Part Number	Qty.	Description
1	340-22	1	Fitting-Tee	9:1	237-30	1	O-Ring
1:1	237-65	2	O-Ring	9:2	237-79	1	O-Ring
1:2	237-80	1	O-Ring	10	340-77	1	Fitting-Elbow, 90 DEG
2	340-8	1	Fitting-Straight	10:1	237-22	1	O-Ring
2:1	237-65	1	O-Ring	10:2	237-42	1	O-Ring
2:2	237-81	1	O-Ring	11	340-105	4	Fitting-Elbow, 90 DEG
3	340-2	5	Fitting-Straight	11:1	237-80	1	O-Ring
3:1	237-22	1	O-Ring	11:2	237-30	1	O-Ring
3:2	237-42	1	O-Ring	12	340-153	1	Fitting-Elbow, 90 DEG
4	107-7569	1	Fitting-STR	12:1	237-79	1	O-Ring
4:1	237-79	1	O-Ring	12:2	237-151	1	O-Ring
5	340-88	1	Fitting-Straight	13	340-89	2	Fitting-HYD, 45 DEG
5:1	237-22	1	O-Ring	13:1	237-30	1	O-Ring
5:2	237-78	1	O-Ring	13:2	237-80	1	O-Ring
6	340-98	1	Fitting-Elbow, 90 DEG	14	107-7568	1	Fitting-HYD, Barbed
6:1	237-79	1	O-Ring	15	95-4137	1	Fitting-STR
6:2	237-30	1	O-Ring	15:1	237-42	1	O-Ring
7	354-79	2	Cap-Dust	15:2	237-22	1	O-Ring
8	354-77	2	Fitting-Quick	17	100-7210	1	Check Valve
8:1	237-78	1	O-Ring	17:1	237-42	1	O-Ring
9	340-101	1	Fitting-HYD, 45 DEG	17:2	237-22	1	O-Ring



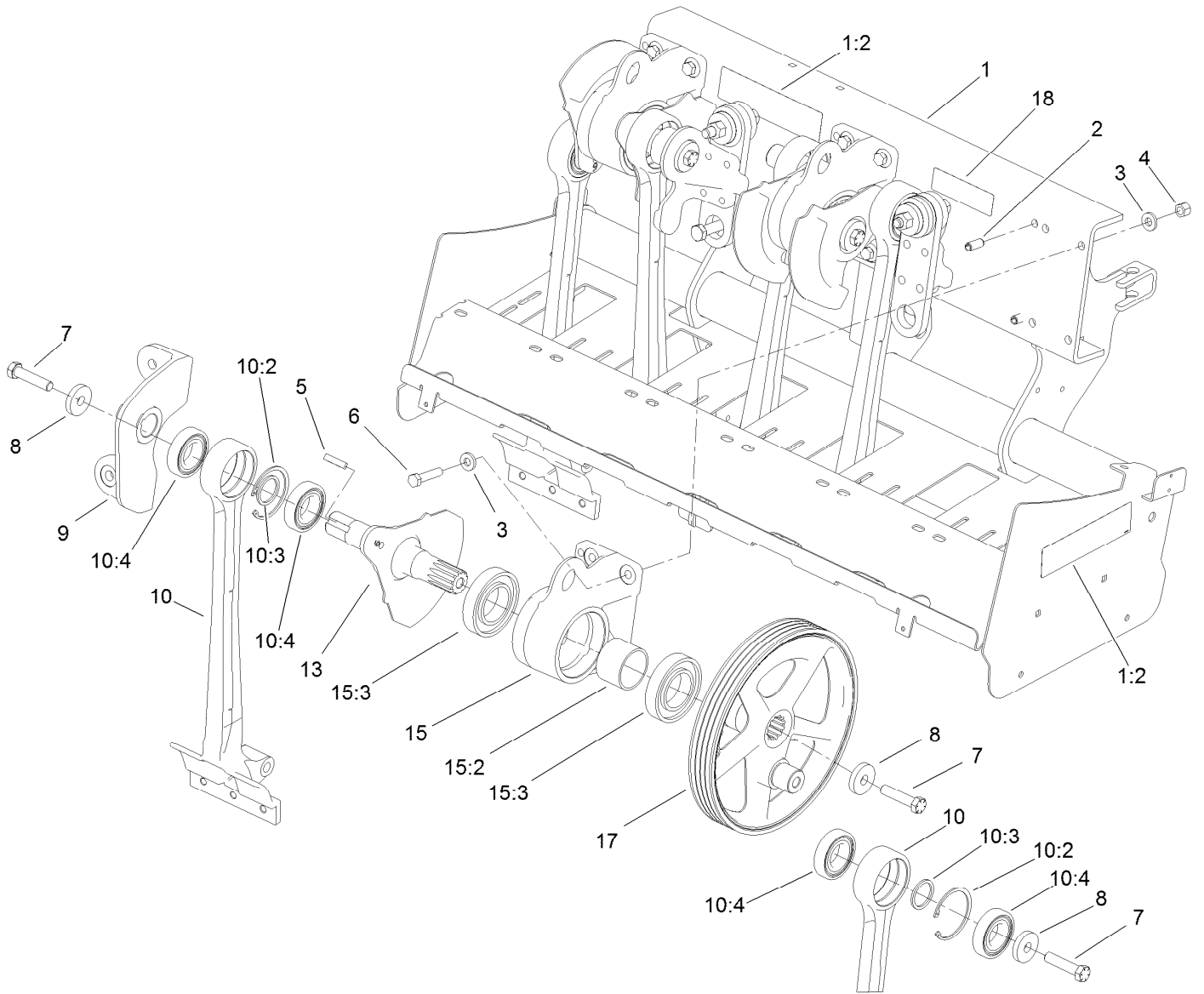
Hardline and Hose Assembly

<i>Ref.</i>	<i>Part Number</i>	<i>Qty.</i>	<i>Description</i>	<i>Ref.</i>	<i>Part Number</i>	<i>Qty.</i>	<i>Description</i>
1	107-3388	1	Tube ASM	9:1	237-30	1	O-Ring
2	115-4701	1	Tube-HYD	10	84-0890	1	Hose ASM
3	112-6539	1	Tube-HYD	11	106-8822	1	Hose ASM
4	107-3387	1	Tube ASM	12	106-8821	1	Hose ASM
5	2412-141	2	Clamp-Drive, Worm	13	106-8829	2	R Clamp-Double
6	107-7565	1	Hose-Formed	14	3234-11	2	Screw-HHF
7	137-6626	1	Hose-HYD	15	354-77	1	Fitting-Quick
8	106-8819	1	Tube ASM	15:1	237-78	1	O-Ring
8:1	237-30	1	O-Ring	16	354-79	1	Cap-Dust
9	106-8818	1	Tube ASM	17	108-6811	1	Tube ASM



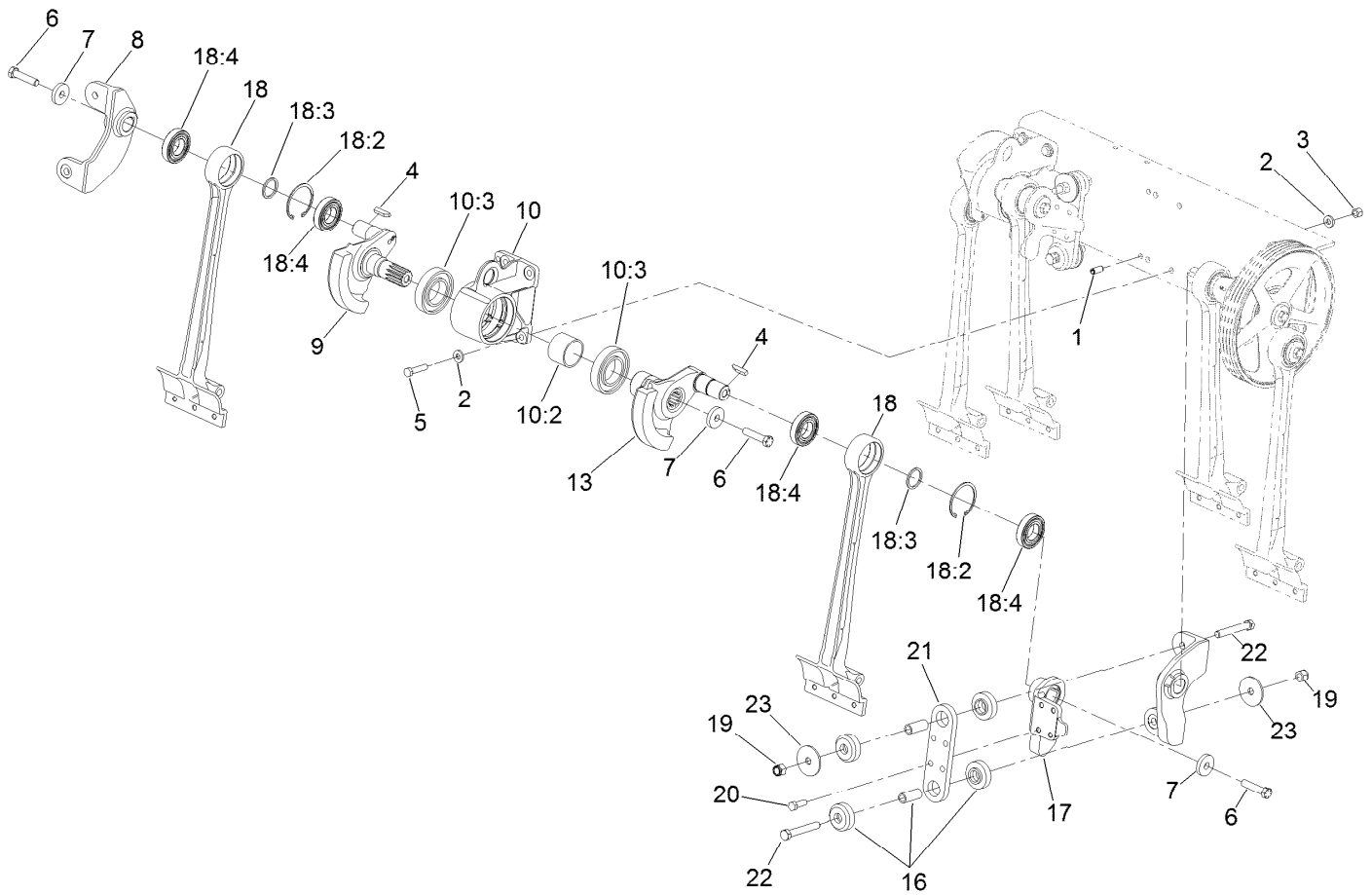
H-Frame Assembly

<i>Ref.</i>	<i>Part Number</i>	<i>Qty.</i>	<i>Description</i>	<i>Ref.</i>	<i>Part Number</i>	<i>Qty.</i>	<i>Description</i>
1	104-8300	2	Nut-HF, NI	15	3290-495	1	Pin-Klik
2	105-0950	2	Pivot Shaft ASM	16	3272-21	1	Pin-Cotter
3	104-1450	4	Bolt-CARR	17	105-0983-01	1	Bar-Prop
4	100-1270	4	Switch-Proximity	18	112-6516	1	H Frame ASM
5	100-4872	4	Plate-Switch, Neutral	18:2	126-1963	4	Bushing-Pivot
6	3231-2	2	Bolt-CARR	19	3296-50	4	Nut-Lock, NI
7	127-4209	1	Bracket-Support, Switch	20	92-5836	4	Washer
8	32128-10	2	Nut-Lock, HHF	21	114-2702	2	Link ASM
9	3296-2	4	Nut-Lock, NI	21:1	105-1025	1	End-Rod
10	105-1006-01	1	Bracket-Switch	21:2	3220-17	1	Nut-Jam, LH
11	104-8301	2	Nut-HF, NI	21:3	105-1007	1	Link-Upper
12	3229-10	2	Screw-CARR	21:4	3220-7	1	Nut-Jam
13	10-8110	3	Washer-Thrust	21:5	2411-40	1	End-Rod
14	3230-2	2	Bolt-CARR				



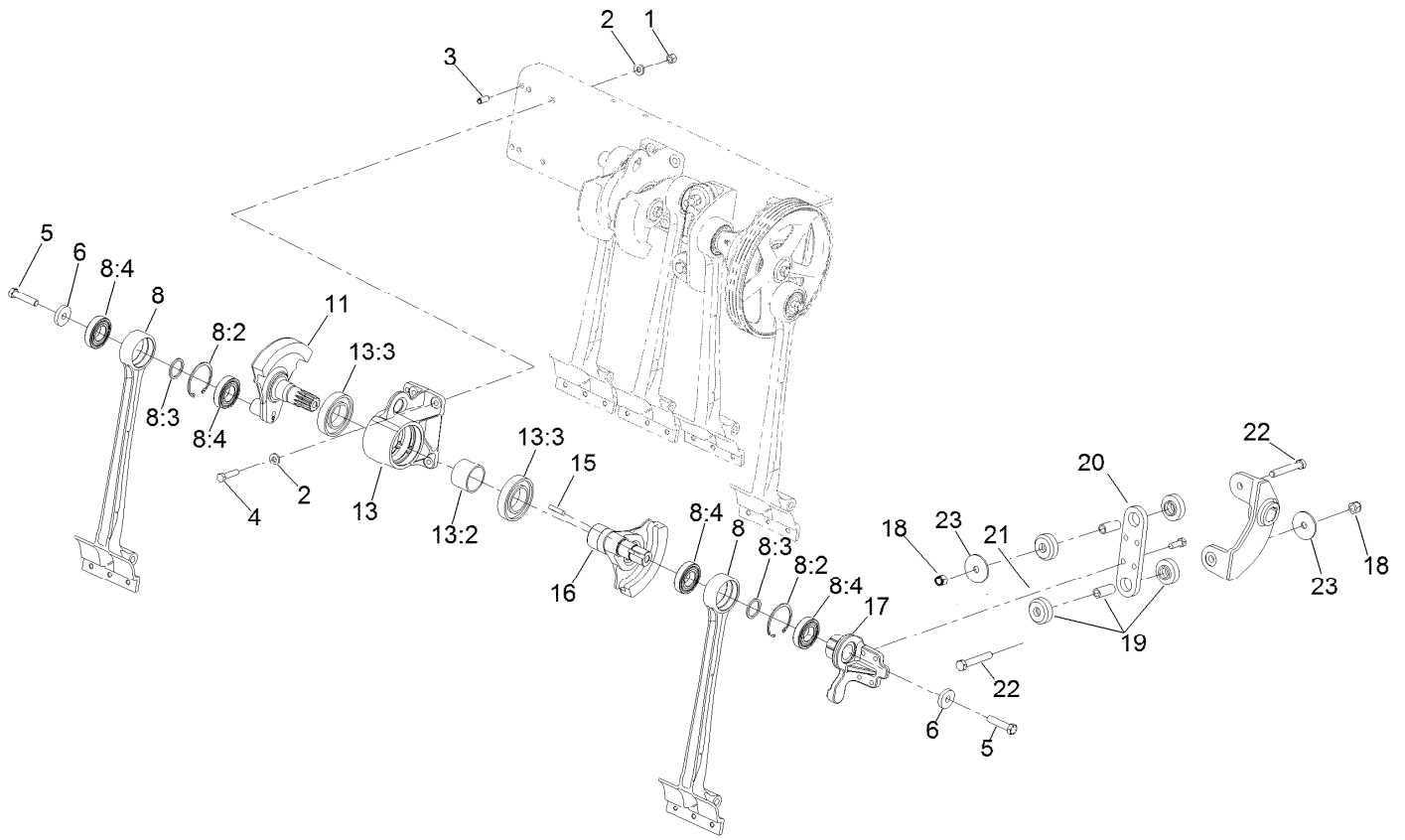
Coring Head Crank No. 1 and 2 Assembly

<i>Ref.</i>	<i>Part Number</i>	<i>Qty.</i>	<i>Description</i>	<i>Ref.</i>	<i>Part Number</i>	<i>Qty.</i>	<i>Description</i>
1	131-1740	1	Rear Frame Service ASM	10:2	32151-76	1	Ring-Retaining, Internal
1:2	107-7534	3	Decal-Warning	10:3	110-4557	1	Spacer-Bearing
2	105-1041	2	Pin-Spring	10:4	110-4556	2	Bearing-Ball
3	107-3395	8	Washer-Hardened	13	110-4571	1	Crankarm-No. 2, 4, 6
4	3296-23	4	Nut-Lock, NI	15	115-4703	1	Housing ASM
5	110-4546	1	Key-Square	15:2	105-1017	1	Spacer
6	325-9	4	Screw-HH	15:3	105-0965	2	Bearing-Ball
7	110-4614	3	Screw-HH	17	114-1458	1	Pulley-Crankshaft
8	105-1016	3	Washer-Flat	18	110-4664	1	Decal-Torque, Bolt
9	110-4567	1	Coupling-No. 2				
10	115-2822	2	Stomper Arm & Bearing ASM				



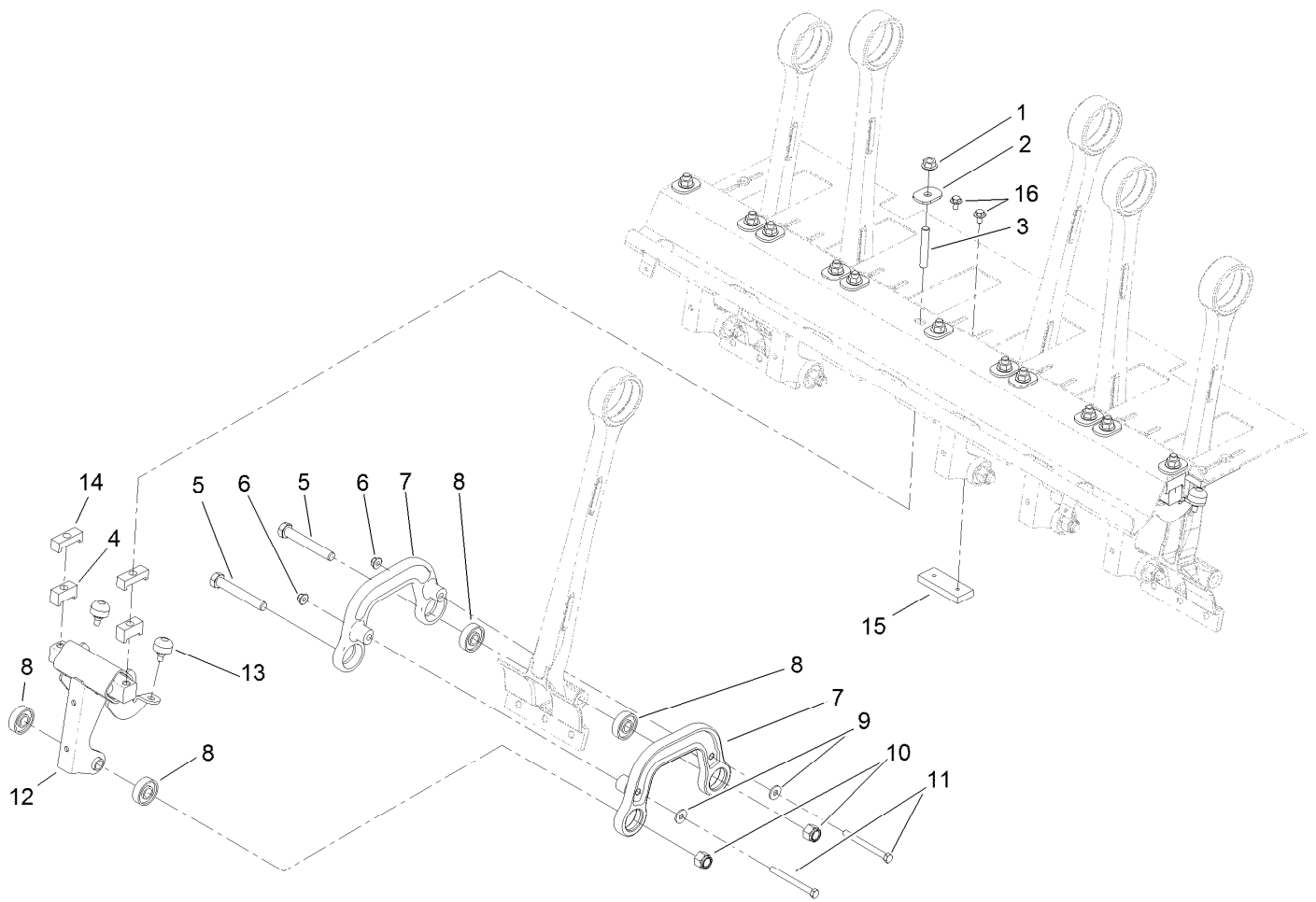
Coring Head Crank No. 3 and 4 Assembly

<i>Ref.</i>	<i>Part Number</i>	<i>Qty.</i>	<i>Description</i>	<i>Ref.</i>	<i>Part Number</i>	<i>Qty.</i>	<i>Description</i>
1	105-1041	2	Pin-Spring	16	105-0963	2	Mount-ISO, Crank
2	107-3395	8	Washer-Hardened	17	110-4568	1	Coupling-No. 3
3	3296-23	4	Nut-Lock, NI	18	115-2822	2	Stomper Arm & Bearing ASM
4	110-4546	2	Key-Square	18:2	32151-76	1	Ring-Retaining, Internal
5	325-9	4	Screw-HH	18:3	110-4557	1	Spacer-Bearing
6	110-4614	3	Screw-HH	18:4	110-4556	2	Bearing-Ball
7	105-1016	3	Washer-Flat	19	3296-53	2	Nut-Lock, NI
8	110-4569	1	Coupling-No.4	20	325-6	4	Screw-HH
9	110-4571	1	Crankarm-No. 2, 4, 6	21	105-0974-03	1	Plate-Coupling
10	115-4703	1	Housing ASM	22	327-29	2	Screw-HH
10:2	105-1017	1	Spacer	23	110-4549	2	Washer-Snubbing
10:3	105-0965	2	Bearing-Ball				
13	110-4572	1	Crankarm-No. 3, 5, 7				



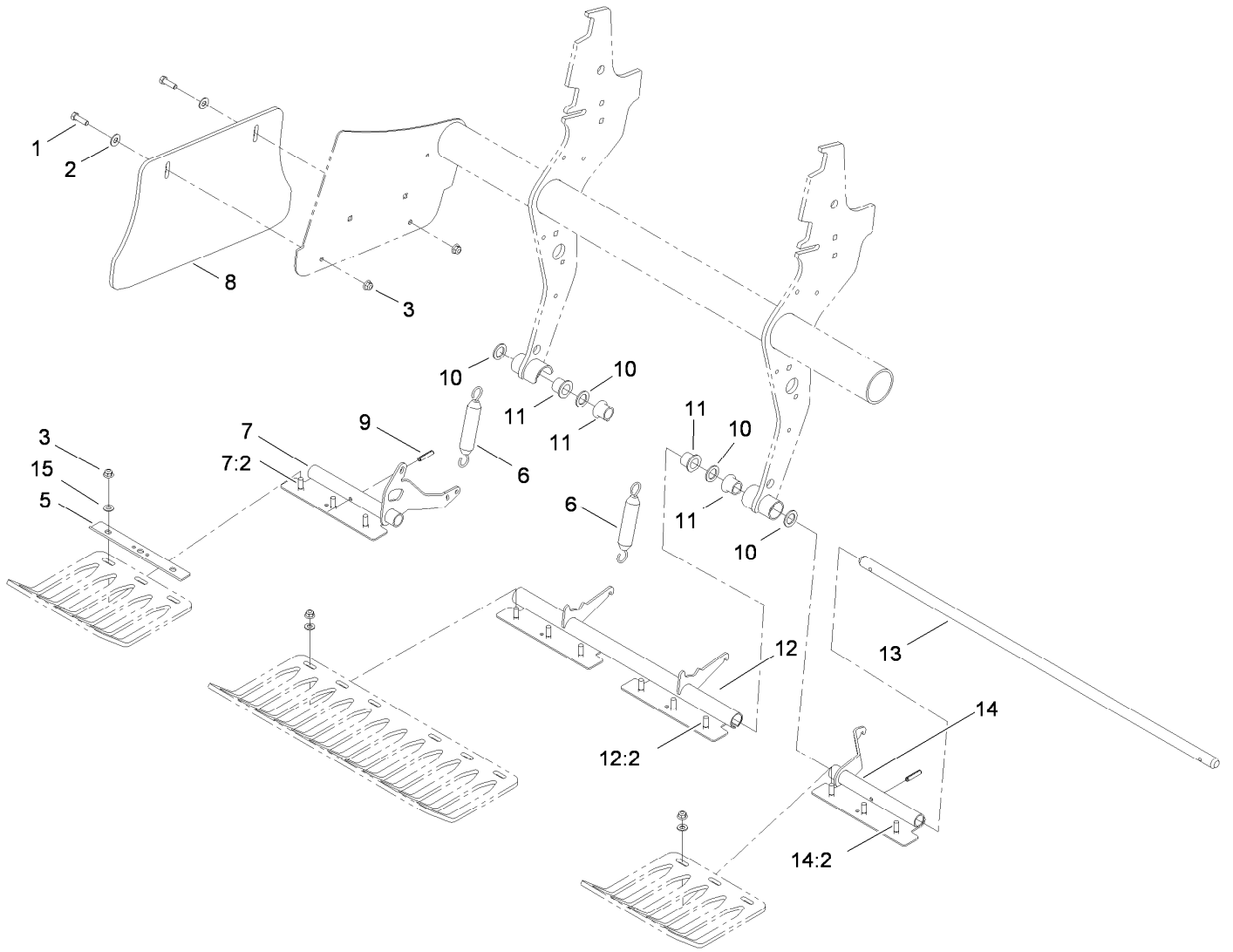
Coring Head Crank No. 5 and 6 Assembly

<i>Ref.</i>	<i>Part Number</i>	<i>Qty.</i>	<i>Description</i>	<i>Ref.</i>	<i>Part Number</i>	<i>Qty.</i>	<i>Description</i>
1	3296-23	4	Nut-Lock, NI	13	115-4703	1	Housing ASM
2	107-3395	8	Washer-Hardened	13:2	105-1017	1	Spacer
3	105-1041	2	Pin-Spring	13:3	105-0965	2	Bearing-Ball
4	325-9	4	Screw-HH	15	110-4546	1	Key-Square
5	110-4614	3	Screw-HH	16	110-4572	1	Crankarm-No. 3, 5, 7
6	105-1016	3	Washer-Flat	17	110-4570	1	Coupling-N0.5
8	115-2822	2	Stomper Arm & Bearing ASM	18	3296-53	2	Nut-Lock, NI
8:2	32151-76	1	Ring-Retaining, Internal	19	105-0974-03	1	Plate-Coupling
8:3	110-4557	1	Spacer-Bearing	20	105-0963	2	Mount-ISO, Crank
8:4	110-4556	2	Bearing-Ball	21	325-6	4	Screw-HH
11	110-4576	1	Crankarm-No.6	22	327-29	2	Screw-HH
				23	110-4549	2	Washer-Snubbing



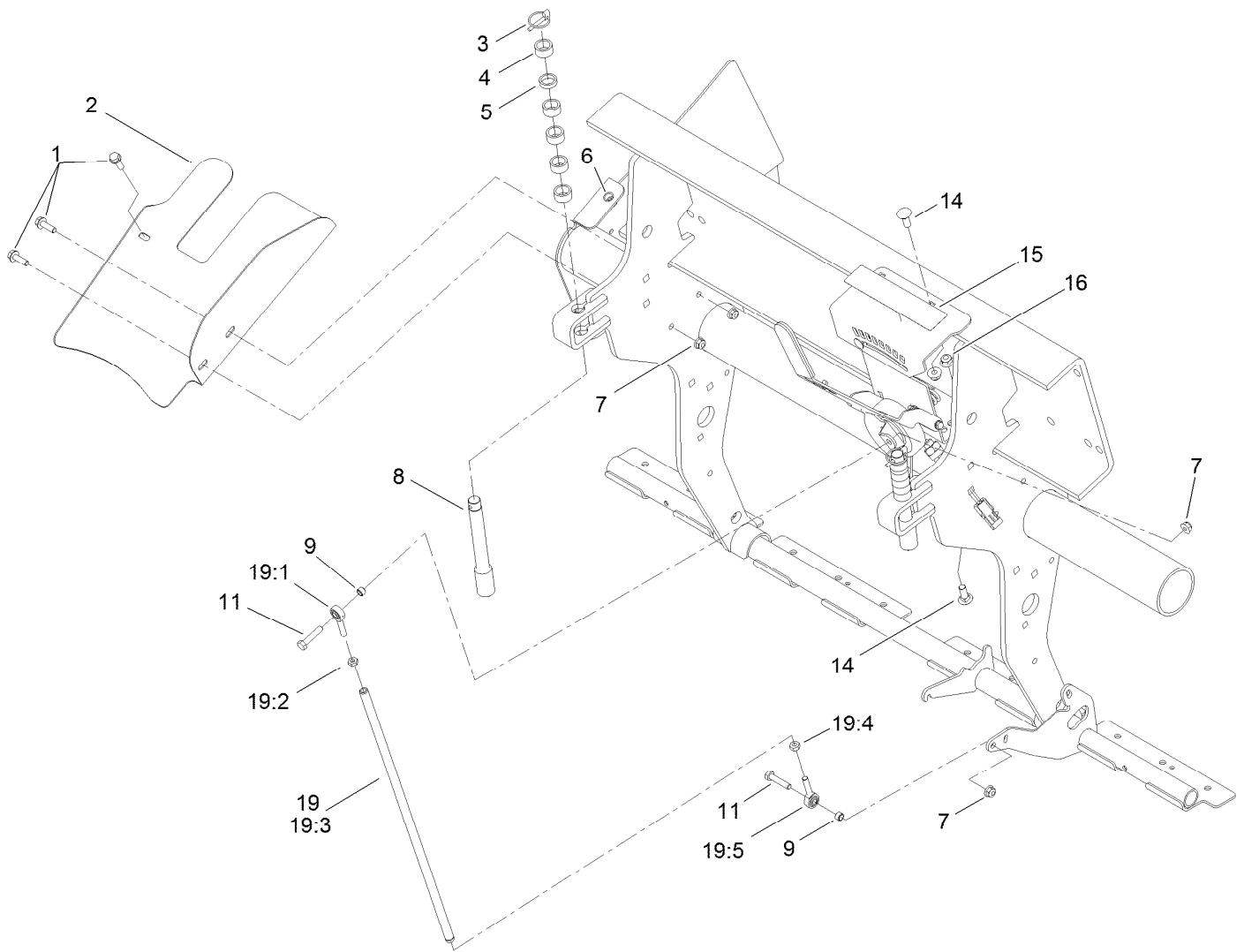
Coring Head Assembly for Rotolinks

<i>Ref.</i>	<i>Part Number</i>	<i>Qty.</i>	<i>Description</i>	<i>Ref.</i>	<i>Part Number</i>	<i>Qty.</i>	<i>Description</i>
1	32128-23	12	Nut-HF	9	80-6990	12	Washer-Hardened
2	107-7543	12	Washer-Hardened	10	3296-53	12	Nut-Lock, NI
3	105-1088	12	Stud	11	323-16	12	Screw-HH
4	131-4805	12	Standoff-Damper	12	131-4800	6	Damper ASM
5	327-29	12	Screw-HH	13	87-2440	12	Bumper-Rubber
6	104-8301	12	Nut-HF, NI	14	107-7582	12	Spacer-Damper, Top V
7	105-1000	12	Link-Damper	15	107-7584	7	Plate-Bumper V
8	251-311	24	Bearing-Ball	16	3234-7	14	Screw-HHF



Coring Head Assembly for Turfguards

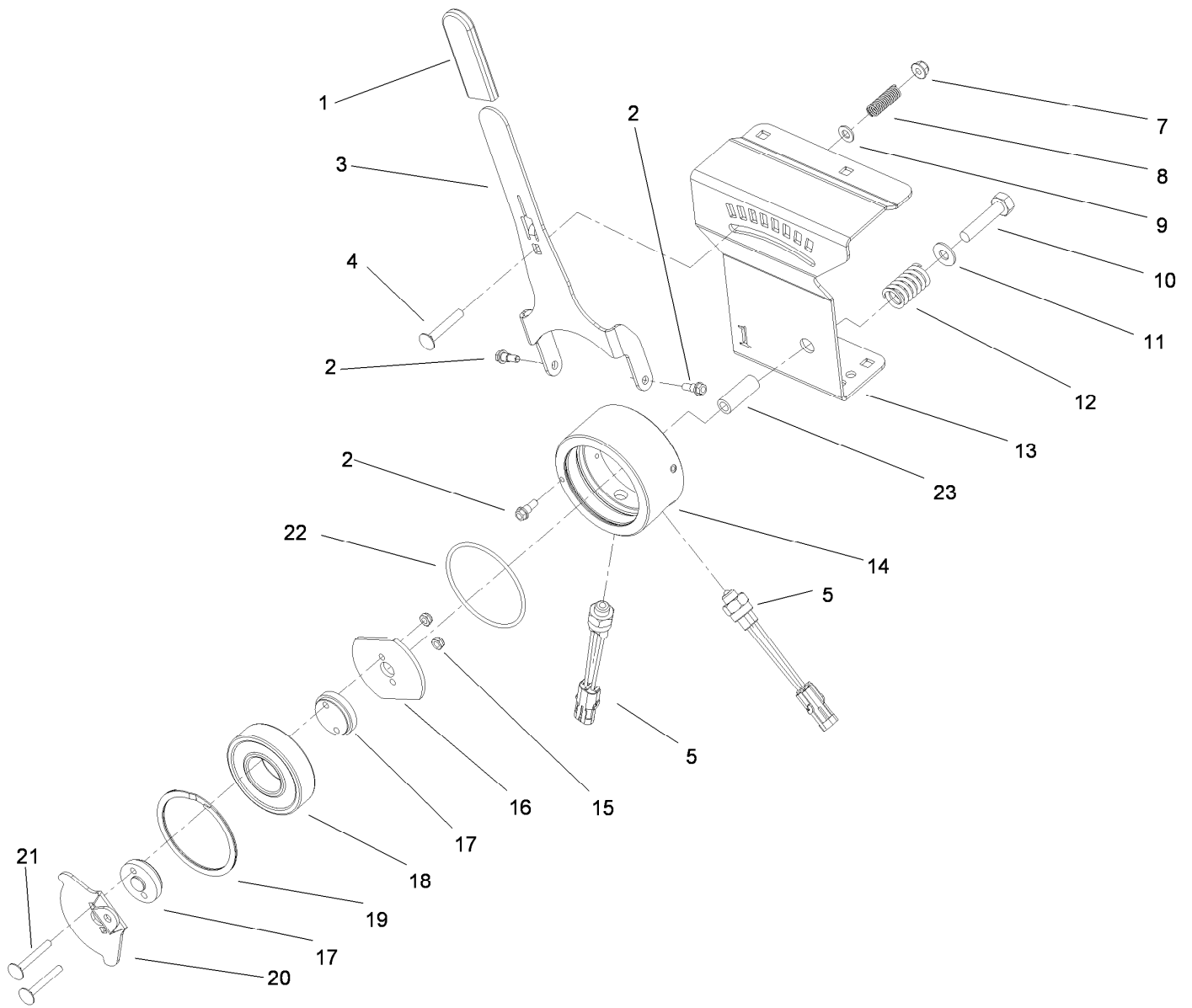
<i>Ref.</i>	<i>Part Number</i>	<i>Qty.</i>	<i>Description</i>	<i>Ref.</i>	<i>Part Number</i>	<i>Qty.</i>	<i>Description</i>
1	323-7	4	Screw-HH	10	3-7898	4	Washer-Thrust
2	3256-4	4	Washer-Flat	11	107-7581	4	Bushing-Flange, Keyed
3	104-8301	16	Nut-HF, NI	12	110-4393	1	Center Turf Guard Bracket ASM
5	110-4274-03	4	Clamp-Guard, Turf	12:2	125-3318	6	Screw-Neck, Rib
6	66-4270	2	Spring-Extension	13	105-1024	1	Shaft-Guard, Turf
7	110-4395	1	LH Turf Guard Bracket ASM	14	110-4394	1	RH Turf Guard Bracket ASM
7:2	125-3318	3	Screw-Neck, Rib	14:2	125-3318	3	Screw-Neck, Rib
8	105-1069	2	Shield-Side	15	3256-24	12	Washer-Flat
9	32121-25	2	Pin-Roll				



Depth Control Assembly

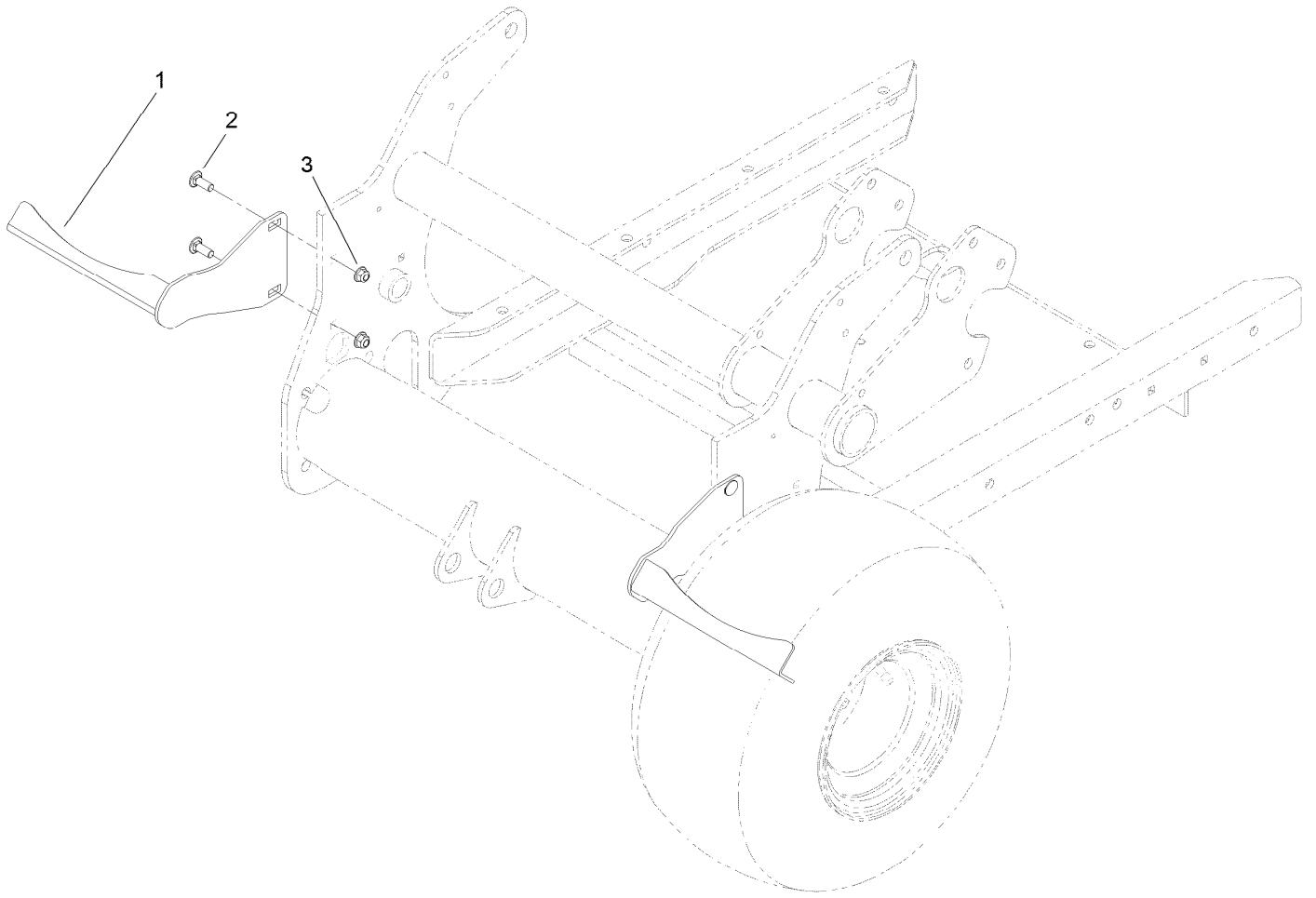
Ref.	Part Number	Qty.	Description	Ref.	Part Number	Qty.	Description
1	3234-17	3	Screw-HHF	14	3231-2	4	Bolt-CARR
2	105-1092-01	1	Shield-Top, Belt	15	106-8853	1	Decal-Control, Depth
3	3290-495	2	Pin-Klik	16	104-8301	4	Nut-HF, NI
4	74-3730	10	Spacer-Spindle, Rear	19		1	Link ASM ●
5	105-3828	2	Spacer	19:1	2411-52	1	Bearing-Rod End, RH
6	32148-7	1	Nut-Clinch	19:2	3220-2	1	Nut-Jam
7	104-8300	4	Nut-HF, NI	19:3	105-1067	1	Tube-Control, Depth
8	105-1004	2	Pin-Stop, Depth	19:4	3220-20	1	Nut-Jam
9	92-3133	2	Spacer-Lever, Traction	19:5	2411-53	1	Bearing-Rod End, LH
11	322-7	2	Screw-HH				

● Not serviced separately



Depth Actuator Assembly

<i>Ref.</i>	<i>Part Number</i>	<i>Qty.</i>	<i>Description</i>	<i>Ref.</i>	<i>Part Number</i>	<i>Qty.</i>	<i>Description</i>
1	21-1880	1	Grip-Handle	13	106-8865-03	1	Support-Control, Depth
2	42-3560	3	Bolt-Shoulder	14	108-2129	1	Housing-Control, Depth
3	106-8860-03	1	Arm-Control, Depth	15	3296-56	2	Nut-Lock, NI
4	3230-6	1	Bolt-CARR	16	106-8864	1	Actuator-Switch
5	72-4320	2	Switch-Ball	17	106-8863	2	Spacer-Control, Depth
7	104-8300	1	Nut-HF, NI	18	106-8871	1	Bearing-Ball
8	95-1821	1	Spring-Compression	19	106-8872	1	Ring-Retaining
9	3256-23	1	Washer-Plain	20	106-8861-03	1	Arm-Actuator, Switch
10	322-11	1	Screw-HH	21	3230-33	2	Screw-CARR
11	3256-4	1	Washer-Flat	22	237-33	1	O-Ring
12	66-9010	1	Spring-Compression	23	95-6448	1	Spacer



Optional Tire Scraper Assembly (Model 09225)

<i>Ref.</i>	<i>Part Number</i>	<i>Qty.</i>	<i>Description</i>
1	107-7531-03	2	Scraper-Wheel
2	3231-26	4	Screw-CARR
3	104-8301	4	Nut-HF, NI

Attachments and Accessories

For 09200 ProCore 648 Aerator

Product Name	Model/Part
Windrower Kit	09220
Tire Scraper Kit.....	09225
Rear Roller Kit	09234
Three-Tine Head Quick Lock	09711
Four-Tine Head Quick Lock	09719
2 x 5 Mini Tine Head	09736
1 x 6 Mini Tine Head	09737
Needle Tine Head	09739
3/4in Three-Tine Head	09794
3/4in Four-Tine Head	09796
7/8in Three-Tine Head	09797
Yellow Hydraulic Fluid Cap (Tethered)	107-2174
Premium Transmission/Hydraulic Tractor Fluid (55 Gallon Drum).....	108-1183
Premium Transmission/Hydraulic Tractor Fluid (5 Gallon Pail)	108-1184
Premium All Purpose Grease (Tube)	108-1190
Sleeve Tool ASM	114-0590-01
Inline Fuel Filter	115-7854
Turf Guard 3 Tine (Short)	120-1044
Turf Guard 4 Tine (Short)	120-1045
4-Tine Turf Guard (long)	120-1046
Turf Guard 5 Tine (Short)	120-1047
Turf Guard 6 Tine (Short)	120-1050
3-Tine Turf Guard (long)	120-1051
5-Tine Turf Guard (long)	120-1052
6-Tine Turf Guard (long)	120-1053
Premium Engine Oil 10w30 (55 Gallon Drum)	121-6392
Premium Engine Oil 10w30 (5 Gallon Pail)	121-6393
Head Bearing Kit.....	131-4876
Screen-Silencer, Exhaust	93-9911
60 LB Weight	99-6166-01



Count on it.