



Count on it.

Parts Catalog

ProCore® 648 Aerator

Model No. 09200—Serial No. 260000001 and Up



Ordering Replacement Parts

To order replacement parts, please supply the part number, the quantity, and the description of each part desired.

Understanding Reference Numbers

Each identified part in an illustration has a reference number. The reference number for a part also appears in the parts list, along with other information about the part.

This catalog uses two special reference number formats, one to indicate parts in a service assembly and another to indicate the quantity of a given part in an illustration.

Service Assembly Reference Numbers

Parts in service assemblies have reference numbers in the form a:b. The a represents the reference number of the entire service assembly and the b represents a sequential number unique to each part within the service assembly.

For example, a wheel assembly might be identified by reference number 6, the tire by 6:1, the valve by 6:2, and the wheel by 6:3. When you order the assembly identified by reference number 6, you receive all parts identified by reference numbers 6:1, 6:2, and 6:3. However, you may also order any part individually. Reference numbers of this type appear in illustration and in parts lists.

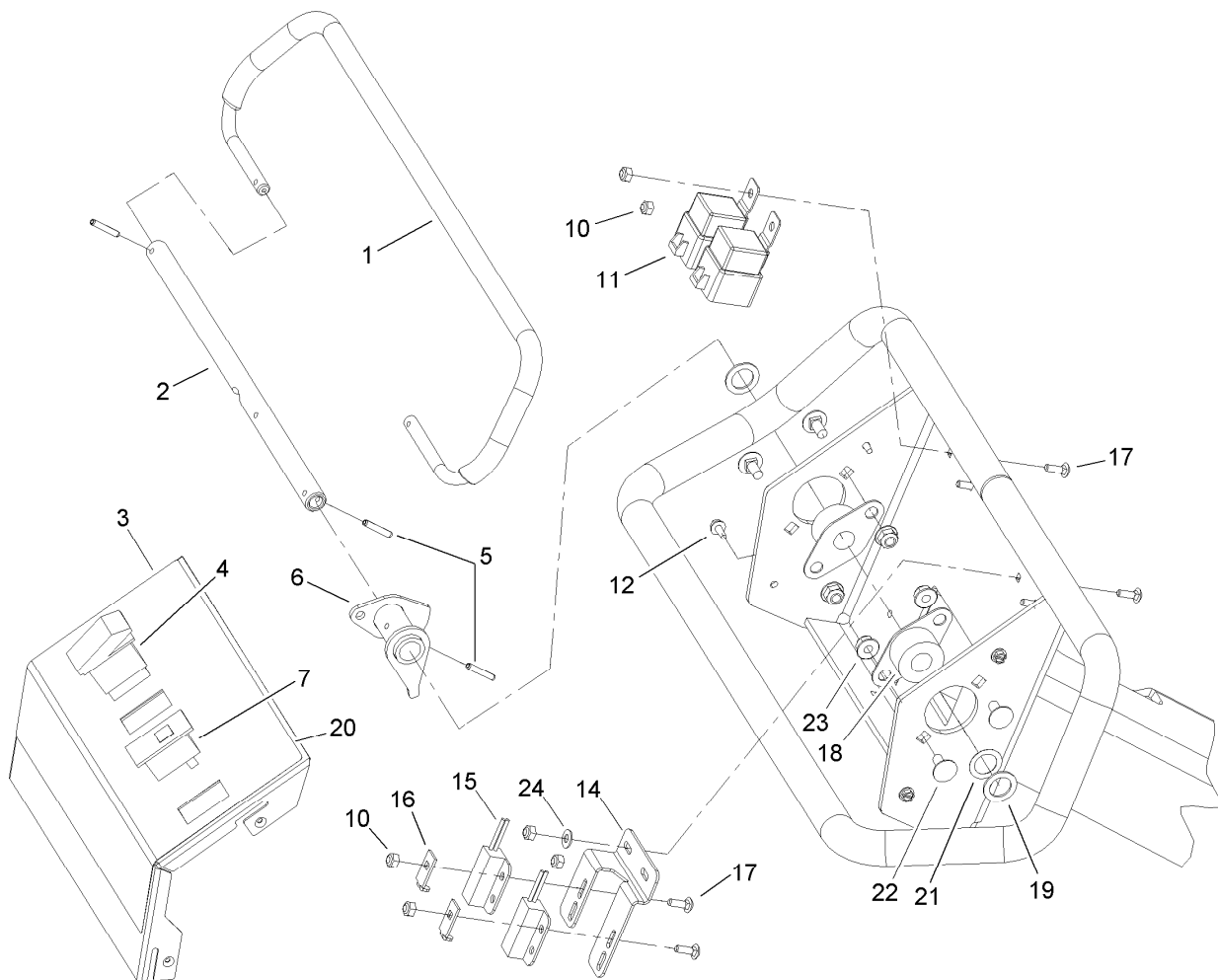
Reference Numbers Indicating Quantity

In an illustration, if a reference number indicates more than one part, the reference number has the form nX y. The n represents the quantity of the part, the X is the multiplication symbol, and the y represents the reference number.

For example, in an illustration, the reference number 2X 37 means that two of the parts identified by reference number 37 are indicated.

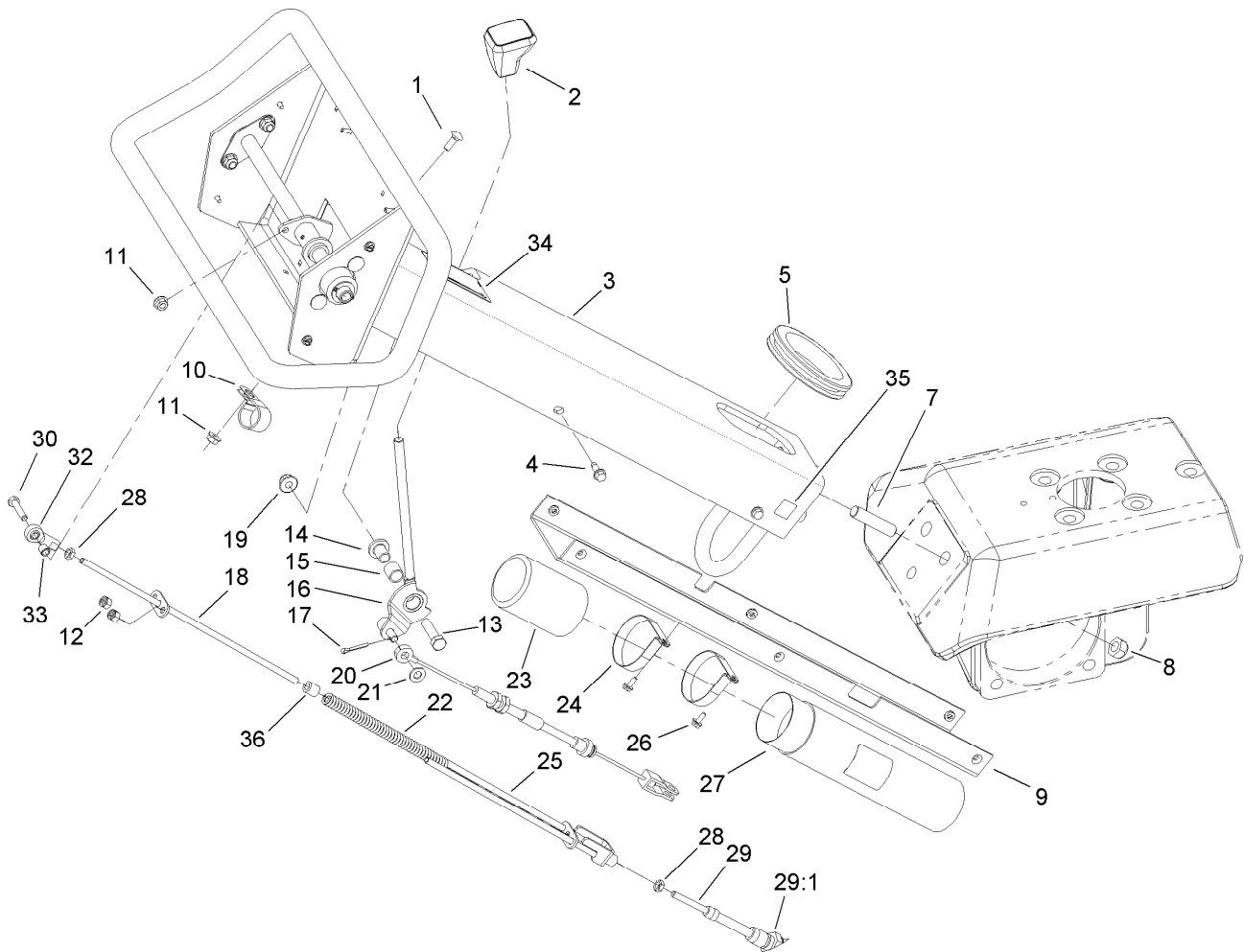
Contents

Control Bail Assembly	4
Front Handle Assembly	5
Front Fork Assembly	6
Fuel Tank Assembly	7
Console Assembly	8
Console Electrical Assembly	9
Line Marker Assembly	10
Engine and Muffler Assembly	11
Rear Hood and Muffler Shield Assembly	12
Shield Assembly No. 107-7546	13
Jackshaft Hood Assembly	14
Primary Belt Drive Assembly	15
Secondary Belt Drive Assembly	16
Hydrostat Control Assembly	17
Hydrostat Pump Assembly	18
Hydrostat and Pump Assembly No. 108-6800	19
Lift System Assembly	20
Hydraulic Cylinder Assembly No. 105-1030	21
Control Manifold Assembly No. 106-8802	22
Wheel and Motor Assembly	23
Hydraulic Motor Assembly No. 106-8806, 106-8807 and 106-8808	24
Brake Latch Assembly	25
Hydraulic Tank Assembly	26
Hydraulic Fitting Assembly	27
Hydraulic Line and Hose Assembly	28
H-Frame Assembly	29
Coring Head Crank No. 1 and 2 Assembly	30
Coring Head Crank No. 3 and 4 Assembly	31
Coring Head Crank No. 5 and 6 Assembly	32
Coring Head Roto Link Assembly	33
Coring Head Turf Guard Assembly	34
Depth Control Assembly	35
Depth Actuator Assembly	36
Needle Tine Holder Model No. 09221 (Optional)	37
Mini Tine Holder Model No. 09222 (Optional)	38
Three Tine, 3/4in Holder Model No. 09223 (Optional)	39
Four Tine, 3/4in Holder Model No. 09224 (Optional)	40
Three Tine 7/8in Tine Holder Model No. 09226 (Optional)	41
Tire Scraper Model No. 09225 (Optional)	42
Crankshaft Assembly Kohler CH23S 76585	43
Crankcase Assembly Kohler CH23S 76585	44
Oil Pan and Lubrication Assembly Kohler CH23S-76585	45
Head / Valve / Breather Assembly Kohler CH23S 76585	46
Ignition / Electrical Assembly Kohler CH23S 76585	48
Blower Housing and Baffle Assembly Kohler CH23S 76585	49
Starting System Assembly Kohler CH23S 76585	50
Fuel System Assembly Kohler CH23S 76585	51
Engine Control Assembly Kohler CH23S 76585	52
Air Intake / Filtration Assembly Kohler CH23S 76585	53
Exhaust Assembly Kohler CH23S 76585	54
Attachments and Accessories	55



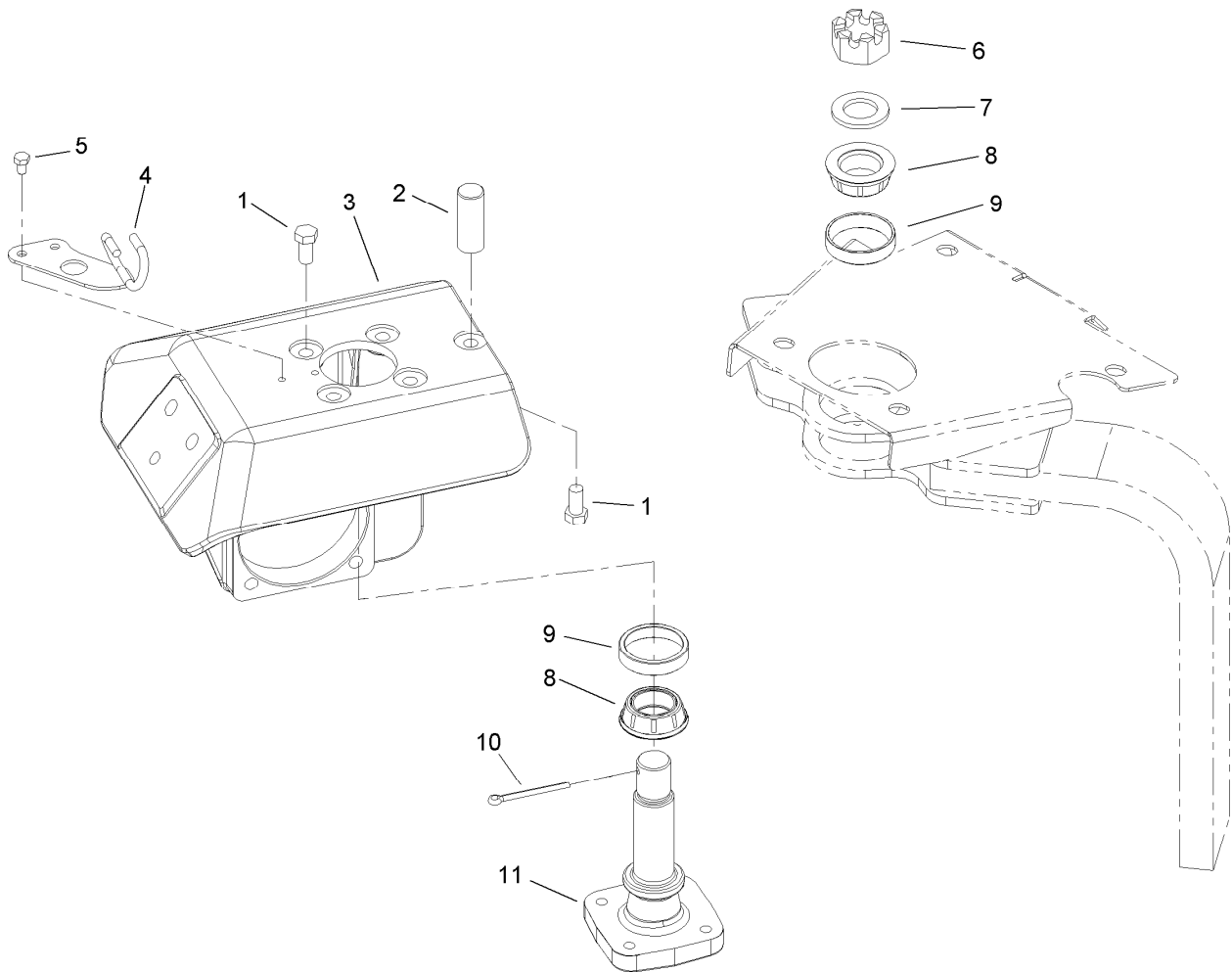
Control Bail Assembly

<i>Ref.</i>	<i>Part Number</i>	<i>Qty.</i>	<i>Description</i>
1	106-8948	1	Handle-Traction
2	107-3350	1	Shaft-Pivot, Bail V
3	105-1183-03	1	Cover-Handle, Control
4	106-8921	1	Switch-Rocker, Off-On
5	32121-45	3	Pin-Spring
6	107-3351	1	Bail Lever ASM
7	99-7410	1	Indicator-Light, Low-Oil Pressure
10	3296-2	6	Nut-Lock, NI
11	99-7430	2	Relay-Mini
12	32104-60	4	Screw-HWH
14	107-3361	1	Mount-Switch
15	100-1270	2	Switch-Proximity
16	100-4872	2	Plate-Switch, Neutral
17	3229-34	6	Screw-CARR
18	256-236	2	Bearing-Mount, Flange
19	3256-69	2	Washer-Flat
20	106-8855	1	Decal-Console, Handle
21	108-2100	1	Washer-Spring, Curved
22	3230-18	4	Screw-CARR
23	104-8300	4	Nut-HF, NI
24	3256-14	2	Washer-Flat



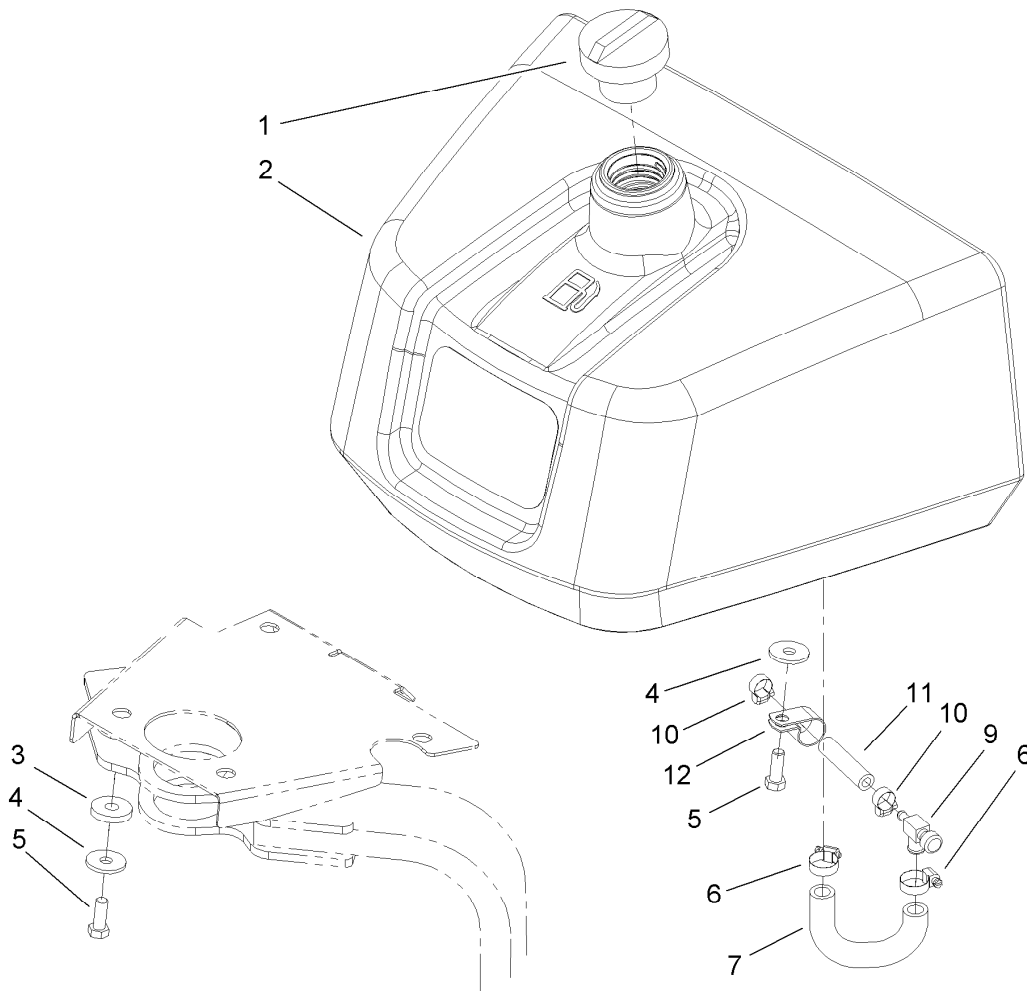
Front Handle Assembly

Ref.	Part Number	Qty.	Description	Ref.	Part Number	Qty.	Description
1	3229-1	1	Bolt-CARR	20	106-8896	1	Cable-Latch, Parking
2	65-8970	1	Knob-Shift	21	3256-23	1	Washer-Plain
3	105-1194-01	1	Control Handle ASM	22	107-3373	1	Spring-Compression
4	32144-44	6	Screw-HWH, Thread Roll	23	104-7048	1	Cap-Housing
5	240-8	1	Grommet-Rubber	24	2412-120	2	Clamp-R
7	80-8680	3	Stud	25	107-3360	1	Spring Retainer ASM
8	3296-19	3	Nut-Hex	26	32104-60	2	Screw-HWH
9	107-3363-03	1	Cover-Lower, Handle	27	104-7050	1	Tube-Manual
10	2412-39	1	Clamp-R	28	3220-1	2	Nut-Jam
11	32128-33	2	Nut-HF	29	80-7220	1	Cable-Control, Stroke
12	3296-3	2	Nut-Lock	29:1	3220-6	4	Nut-Jam
13	323-8	1	Screw-HH	30	321-8	1	Screw-HH
14	80-7200	1	Spacer-Brake	32	2411-41	1	Rod End-Ball Joint
15	256-206	1	Bushing	33	99-3545	1	Spacer
16	86-8420	1	Lever-Brake	34	93-9363	1	Decal-Brake, Parking
17	3272-10	1	Pin-Cotter	35	93-9084	3	Decal-Point, Lift
18	107-3354	1	Override Rod ASM	36	22-7810	1	Spacer
19	104-8301	1	Nut-HF, NI				



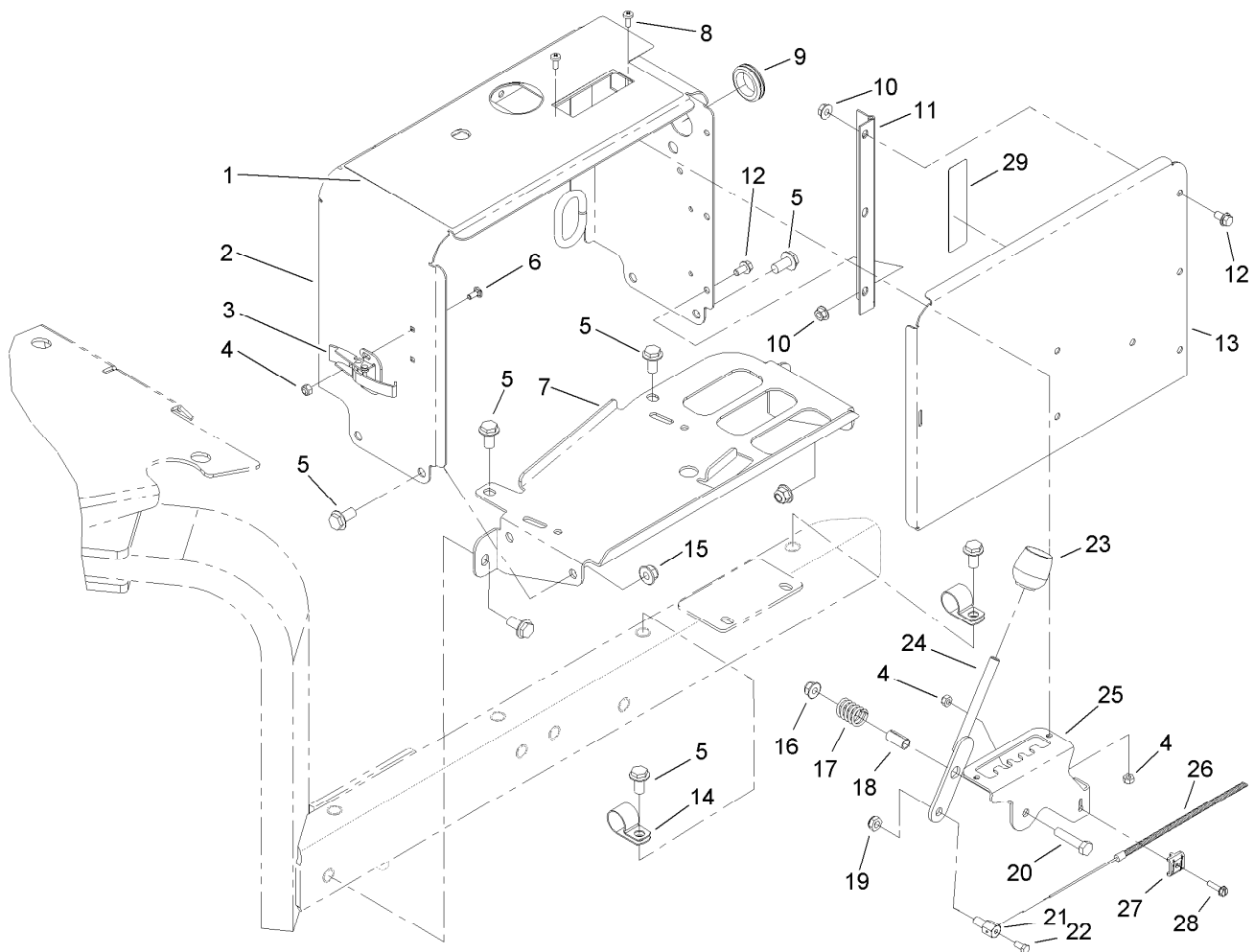
Front Fork Assembly

<i>Ref.</i>	<i>Part Number</i>	<i>Qty.</i>	<i>Description</i>
1	325-4	5	Screw-HH
2	106-8939	1	Stop-Steering
3	108-1252-01	1	Arm-Steering
4	106-8937	1	Cable Guide ASM
5	322-1	2	Screw-HH
6	32136-9	1	Nut-Hex, Slotted
7	107-7597	1	Washer-Plain
8	107-7589	2	Cone-Bearing (W/ Seal)
9	107-7590	2	Cup-Bearing
10	3272-37	1	Pin-Cotter
11	107-7595-03	1	Spindle-Steer



Fuel Tank Assembly

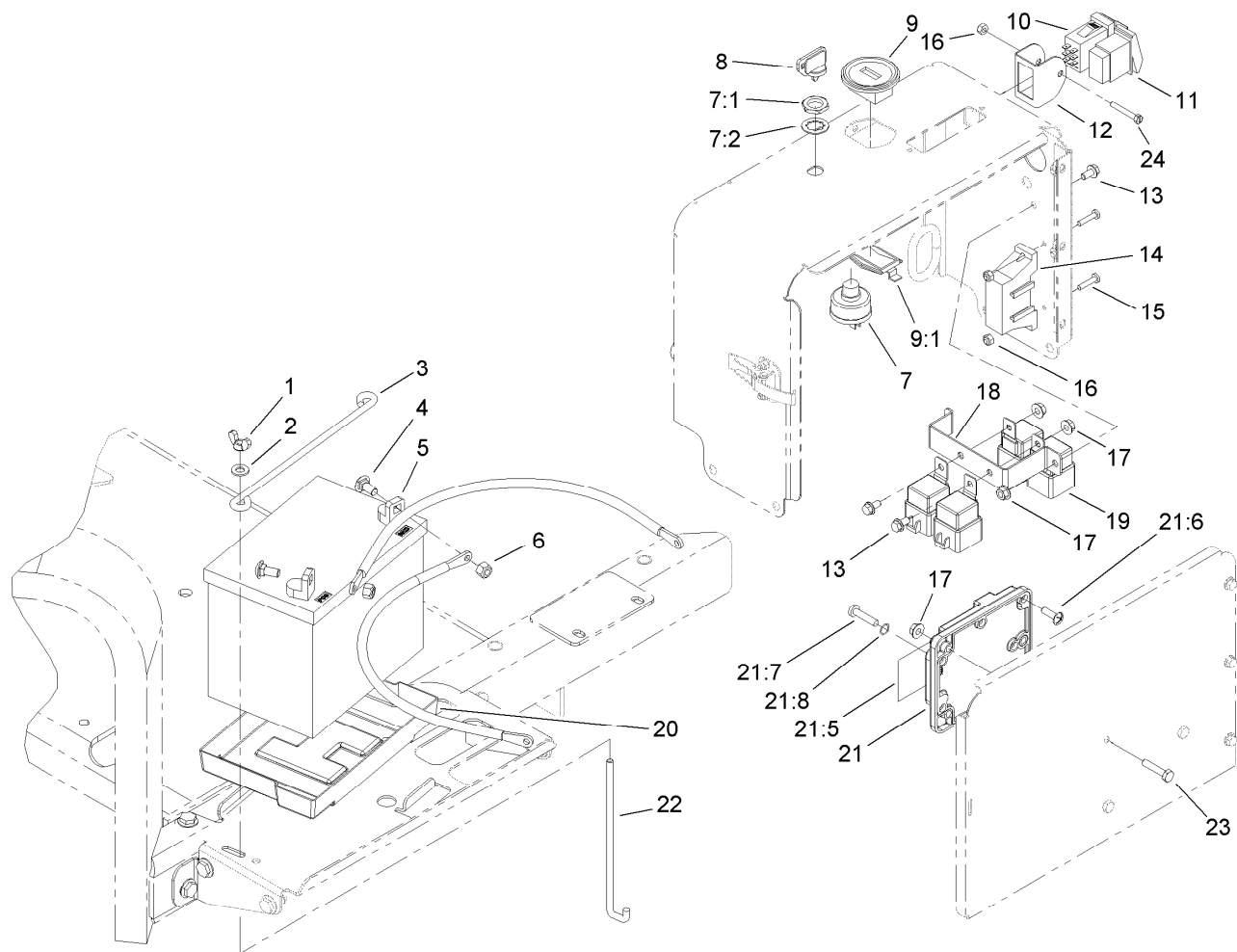
<i>Ref.</i>	<i>Part Number</i>	<i>Qty.</i>	<i>Description</i>
1	93-7170	1	Cap-Fuel
2	105-8266	1	Tank-Fuel
3	240-11	4	Bushing-Flange
4	63-8410	4	Washer
5	323-6	4	Screw-HH
6	2412-36	2	Clamp-Hose
7	110-1493	1	Hose-Fuel, Molded
9	83-1390	1	Valve-Shut-Off, Fuel
10	2412-108	2	Clamp-Worm
11	110-0047	1	Hose-Fuel
12	2412-41	1	Clamp-R



Console Assembly

<i>Ref.</i>	<i>Part Number</i>	<i>Qty.</i>	<i>Description</i>
1	106-8854	1	Decal-Console, Main
2	105-1175-01	1	Console
3	249-21	1	Clamp-Slotted
4	3296-2	6	Nut-Lock, NI
5	3234-1	10	Screw-HHF
6	104-1450	2	Bolt-CARR
7	105-1182-01	1	Base-Console
8	3250-12	3	Screw-PPH
9	240-5	1	Grommet
10	32128-33	6	Nut-HF
11	106-8908	1	Hinge-Console
12	3234-13	6	Screw-HHF
13	105-1171-01	1	Cover-Console
14	2412-41	2	Clamp-R
15	104-8301	4	Nut-HF, NI

<i>Ref.</i>	<i>Part Number</i>	<i>Qty.</i>	<i>Description</i>
16	104-8300	1	Nut-HF, NI
17	20-6110	1	Spring-Compression
18	40-8130	1	Spacer
19	3296-20	1	Nut-Lock, NI
20	322-7	1	Screw-HH
21	98-9311	1	Swivel-Throttle
22	25-8640	1	Screw-HH
23	233-37	1	Knob
24	105-1167	1	Spacing Lever ASM
25	105-1166-03	1	Bracket-Lever, Spacer
26	105-1062	1	Cable-Control, Spacing
27	81-1690	1	Clamp-Cable
28	32105-13	1	Screw-HWH
29	107-7555	1	Decal-Block, Fuse



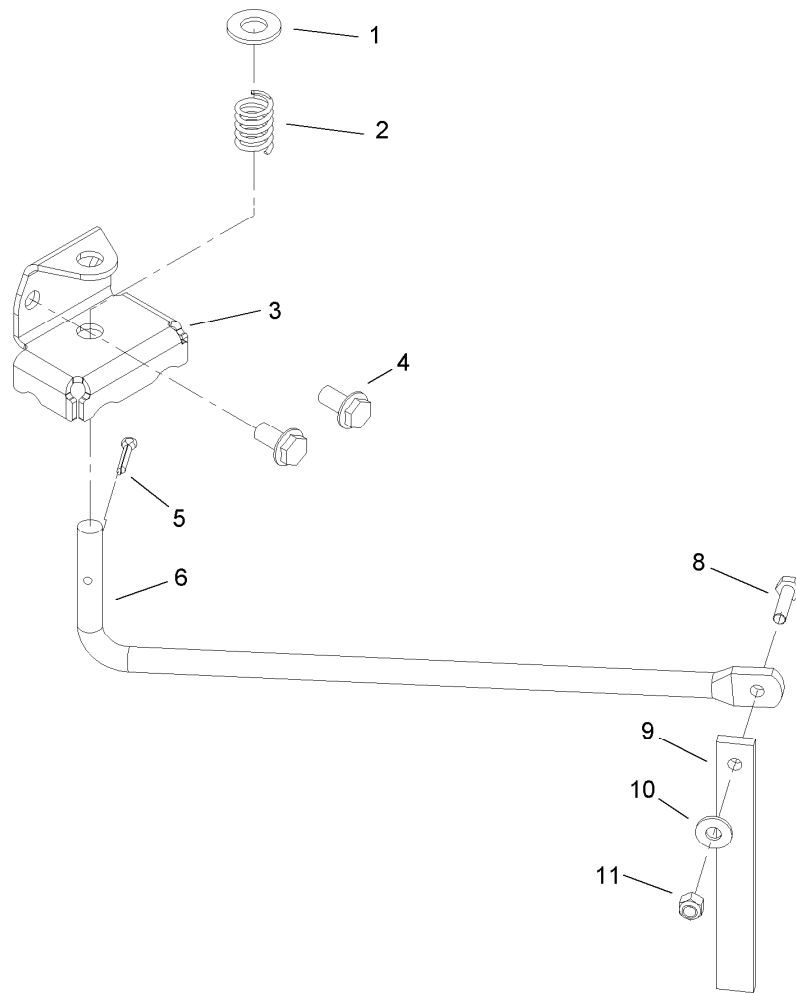
Console Electrical Assembly

Ref.	Part Number	Qty.	Description
1	32103-22	2	Nut-Wing
2	3256-23	2	Washer-Plain
3	100-6434	1	Rod-Hold Down, Battery
4	3230-1	2	Bolt-CARR
5	104-8162	1	Battery
6	104-8300	2	Nut-HF, NI
7	83-0020	1	Switch-Ignition
7:1	218-461	1	Nut-HH
7:2	3254-5	1	Washer-Lock
8	63-8360	2	Key-Ignition
9	104-7427	1	Inductive Hourmeter ASM
9:1	104-4234	1	Clip-Mounting
10	106-8920	1	Switch-Paddle, On-None-On
11	106-2027	1	Switch-Intermittent
12	105-1158	1	Guard-Switch
13	3234-13	3	Screw-HHF
14	106-8823	1	Harness-Electric, Main

Ref.	Part Number	Qty.	Description
14:6	218-578	2	Fuse-Blade, 10 Amp ●
14:7	94-6710	1	Fuse-2 Amp ●
14:9	109101	1	Fuse-Blade, 20 Amp ●
14:10	100-4918	4	Diode ●
15	3250-27	2	Screw-PPH
16	3296-2	3	Nut-Lock, NI
17	32128-33	6	Nut-HF
18	107-7530-01	1	Bracket-Relay
19	99-7430	4	Relay-Mini
20	106948	1	Tray-Battery
21	106-8831	1	Module-Control, Aerator
21:5	106-8835	1	Decal-Module, Aerator
21:6		7	Screw-PPH ■
21:7		2	Screw-PPH ■
21:8		2	Seal-Dust ■
22	100-6435	2	Post-Battery
23	321-8	3	Screw-HH
24	32105-1	1	Screw-SHH

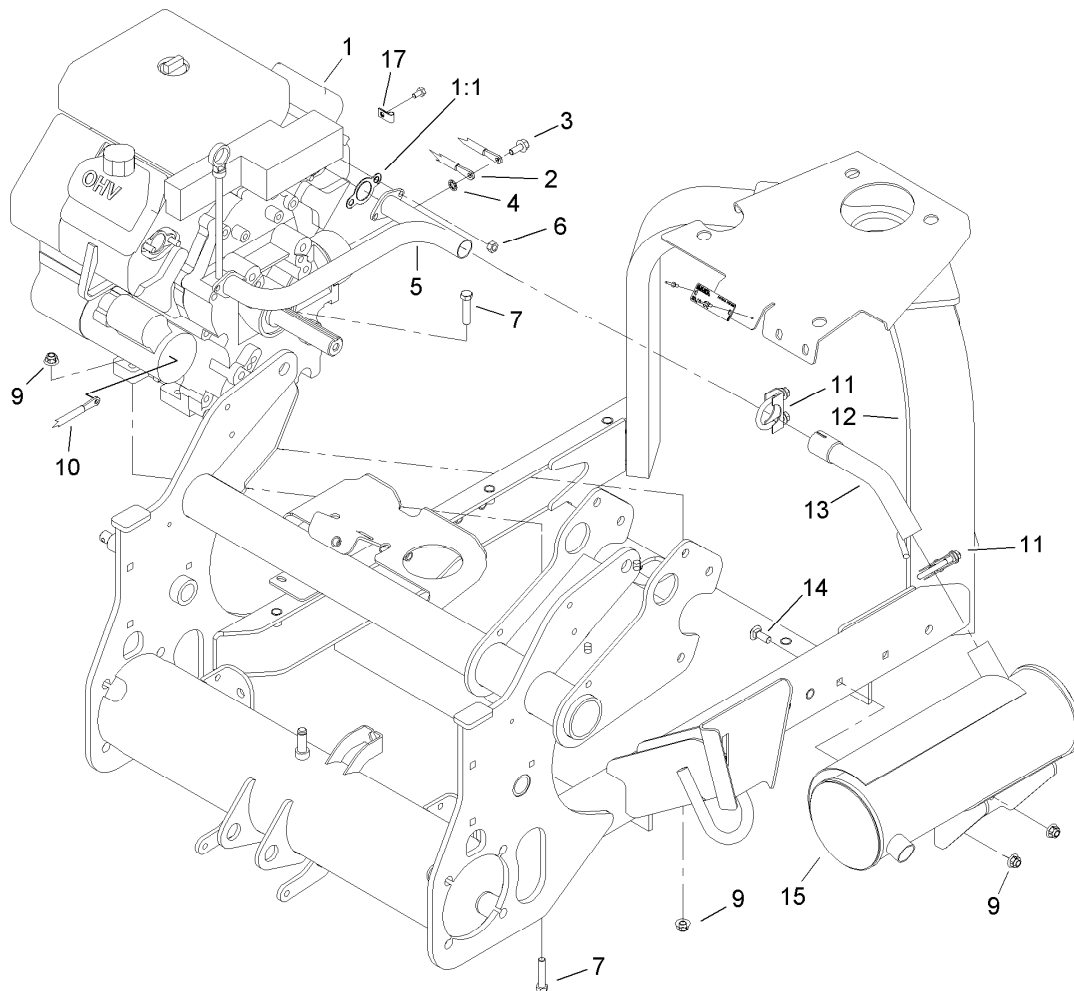
● Not illustrated

■ Not serviced separately



Line Marker Assembly

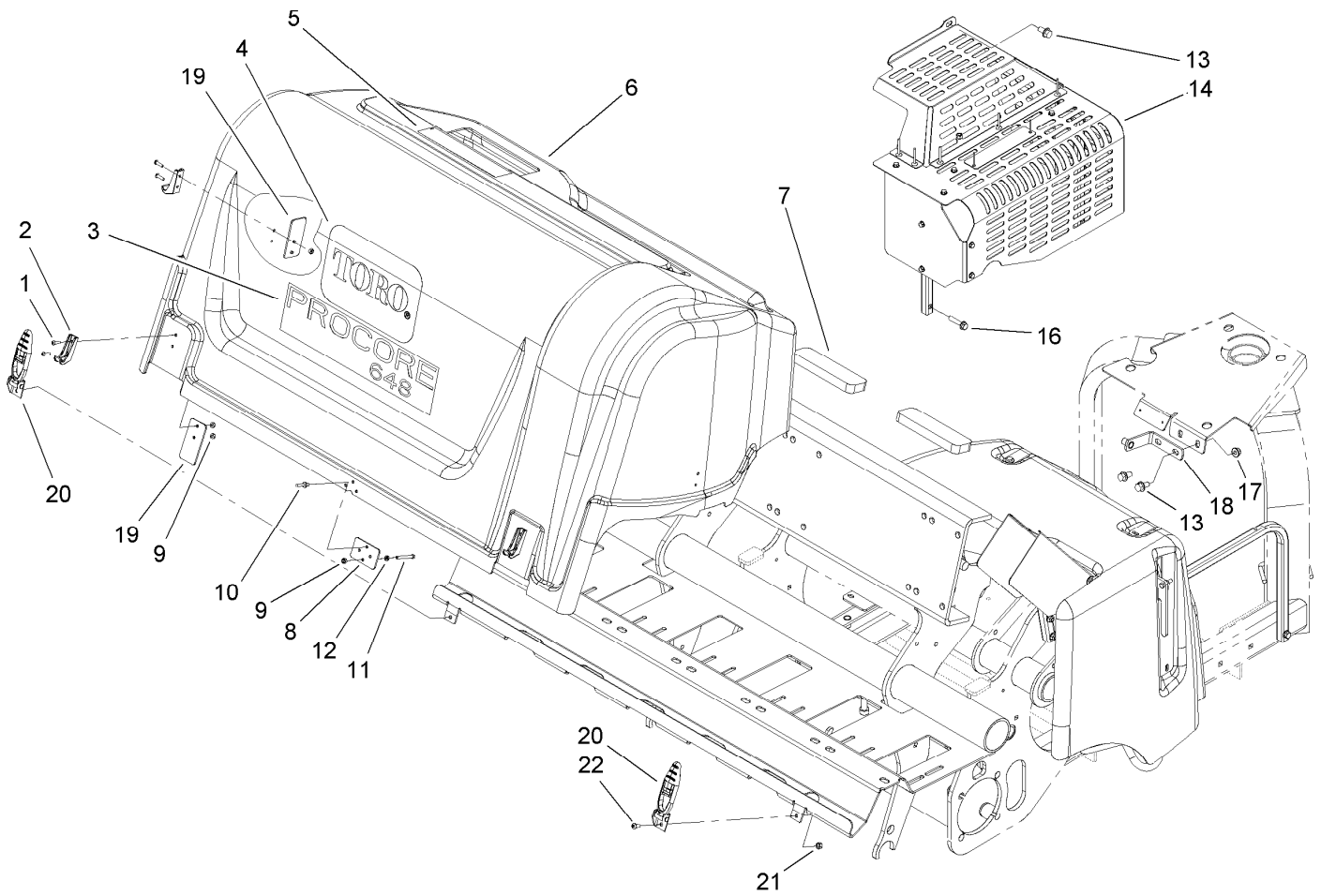
<i>Ref.</i>	<i>Part Number</i>	<i>Qty.</i>	<i>Description</i>
1	3256-26	2	Washer-Flat
2	20-6110	2	Spring-Compression
3	105-1178-01	2	Bracket-Marker
4	3234-1	4	Screw-HHF
5	3272-31	2	Pin-Cotter
6	105-1179	2	Rod-Marker
8	321-6	2	Screw-HH
9	59-9460	2	Guide
10	3256-2	2	Washer-Flat
11	3296-42	2	Nut-Lock, NI



Engine and Muffler Assembly

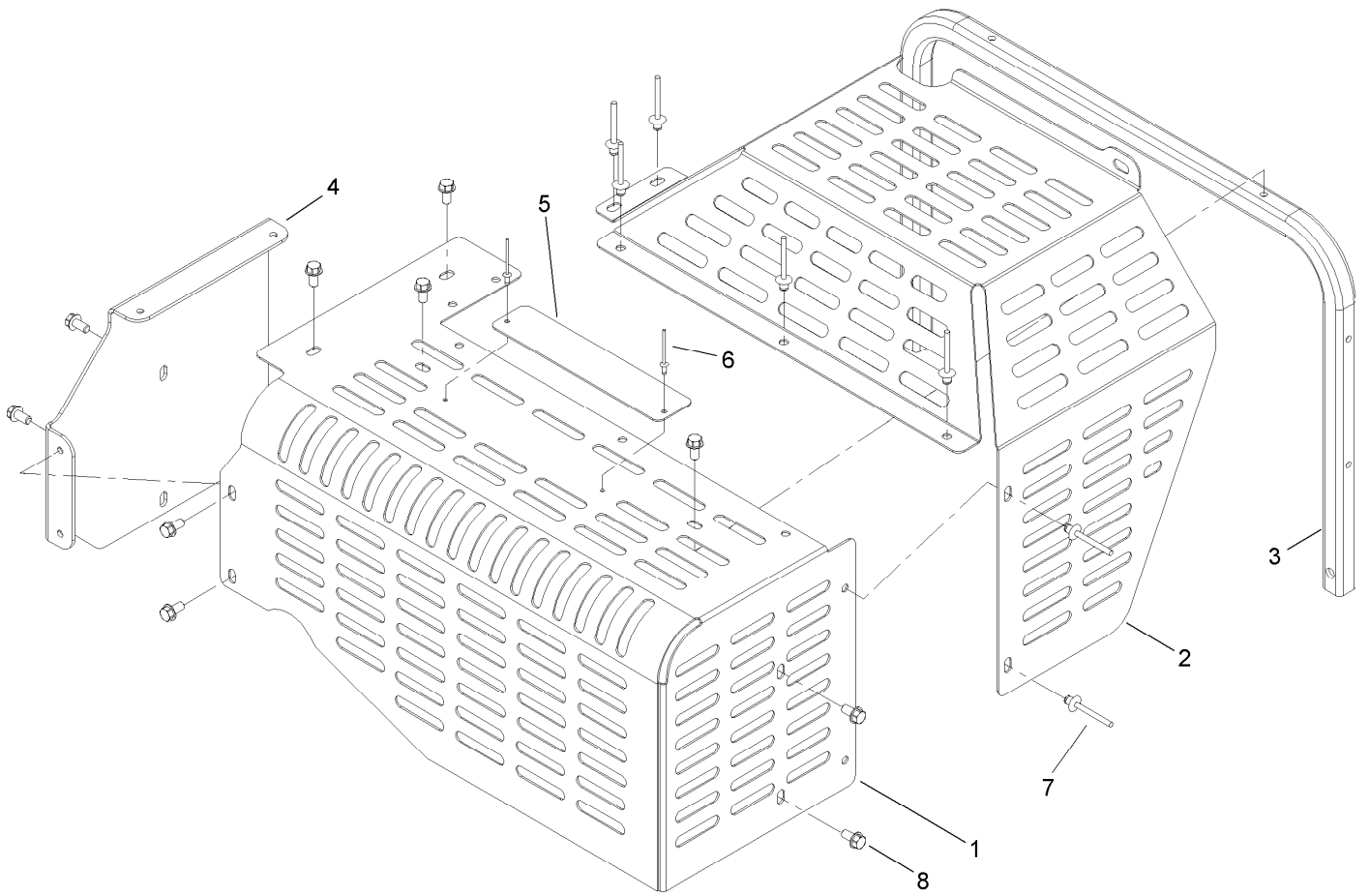
Ref.	Part Number	Qty.	Description
1	106-8801	1	Engine-Kohler
1:1		2	Gasket-Exhaust ●
2	106-8946	1	Cable-Battery, Negative
3	33104-020	1	Screw-HHF
4	3254-2	1	Washer-Lock, Internal
5	106-8858	1	Manifold-Exhaust
6	33014-00	4	Nut-Hex
7	323-9	4	Screw-HH
9	104-8301	6	Nut-HF, NI
10	106-8945	1	Cable-Battery, Positive
11	104-4090	2	Clamp-Muffler
12	106-8910	1	Front Frame ASM
13	106-8857	1	Elbow-Exhaust
14	3231-2	2	Bolt-CARR
15	106-8859	1	Muffler-Exhaust
17	2412-72	1	Clip-Closed, Insulated

● Not serviced separately



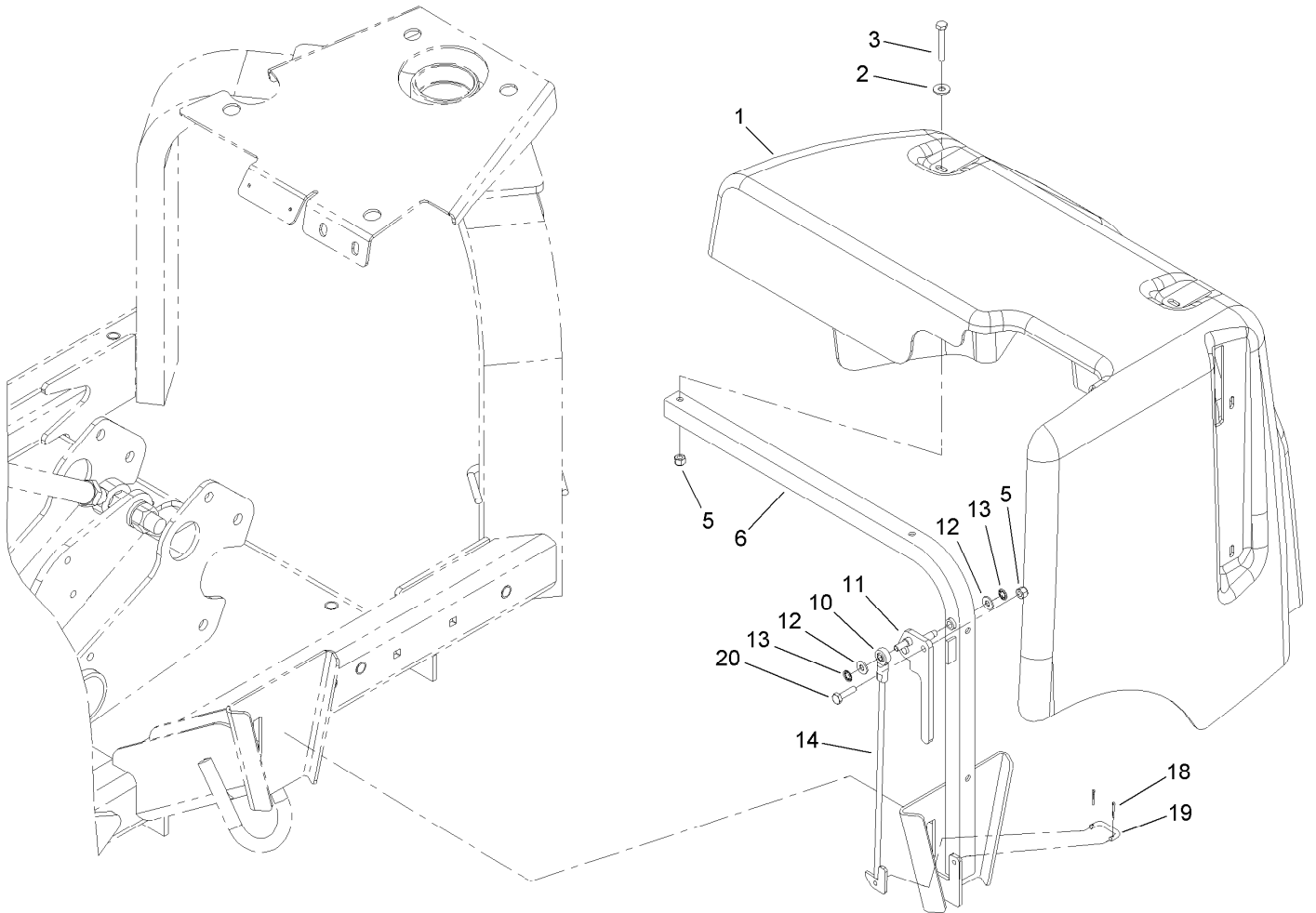
Rear Hood and Muffler Shield Assembly

Ref.	Part Number	Qty.	Description
1	104-2408	8	Screw-HSBH
2	103-2897	4	Latch-Catch
3	106-8852	1	Decal
4	67-7310	1	Decal
5	106-8856	1	Decal-Depth, Tine
6	110-1494	1	Hood-Rear
7	107-7507	3	Pad-Foam
8	107-7508	1	Plate-Backup
9	3296-2	9	Nut-Lock, NI
10	3269-22	3	Rivet-Pop
11	32105-20	1	Screw-HH
12	3217-26	1	Nut-Hex
13	3234-1	3	Screw-HHF
14	107-7546	1	Shield ASM
16	3234-18	2	Screw-HHF
17	104-8301	2	Nut-HF, NI
18	107-7545	1	Bracket ASM
19	110-1499	4	Plate-Reinforcement
20	103-2898	4	Latch-Rubber
21	3296-42	4	Nut-Lock, NI
22	3274-31	4	Screw-HSBH



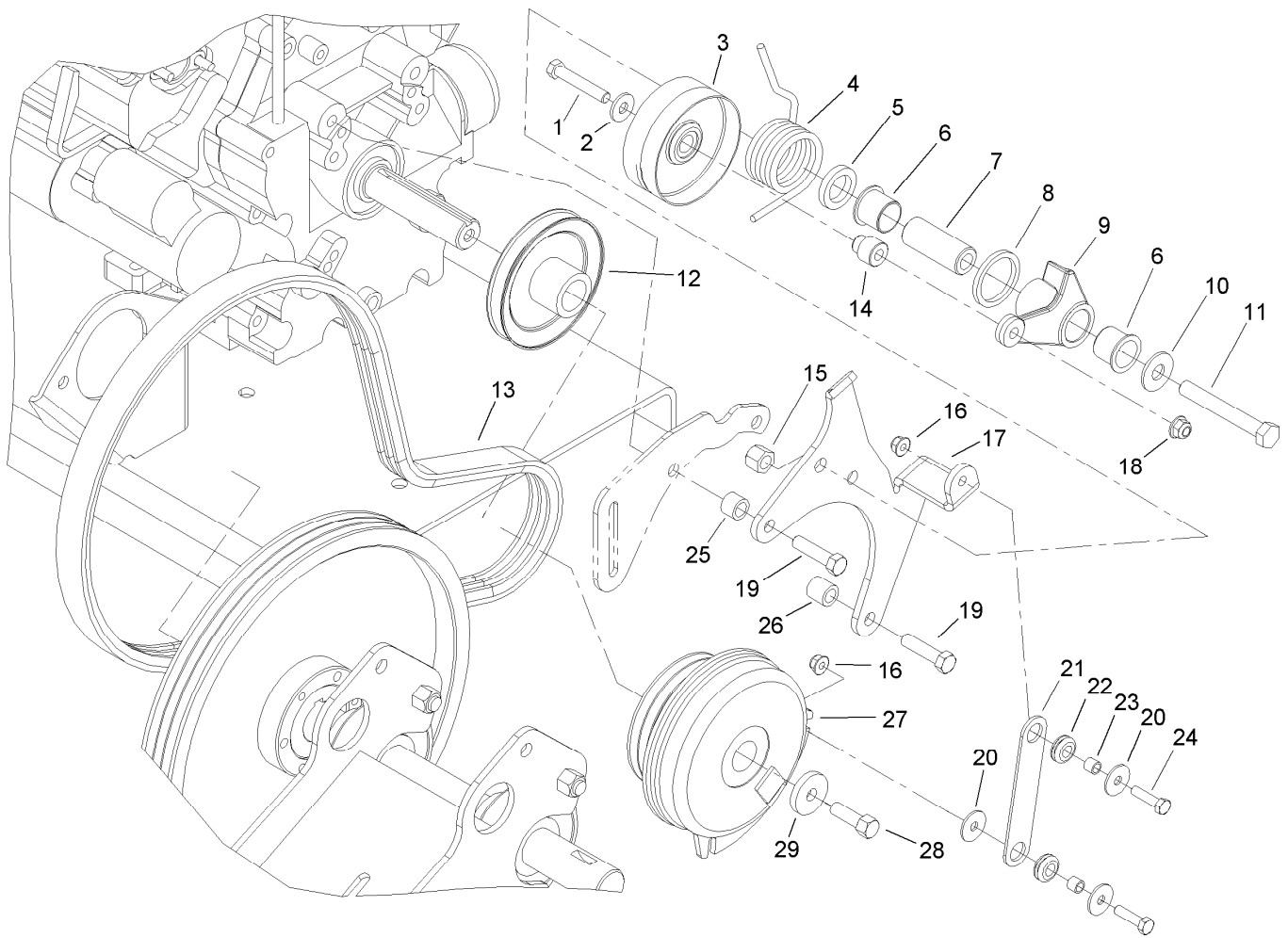
Shield Assembly No. 107-7546

<i>Ref.</i>	<i>Part Number</i>	<i>Qty.</i>	<i>Description</i>
1	106-8903-01	1	Shield-Muffler
2	106-8904-03	1	Shield-Clutch
3	106-8848-01	1	Tube-Shield, Muffler
4	106-8906-01	1	Bracket-Shield, Muffler
5	107-7547	1	Plate-Warning
6	3269-32	2	Rivet-Pop
7	93-8744	7	Rivet-Blind
8	32144-4	10	Screw-HWH



Jackshaft Hood Assembly

Ref.	Part Number	Qty.	Description
1	106-8901	1	Hood-Front
2	100-2400	4	Washer
3	321-10	4	Screw-HH
5	3296-42	5	Nut-Lock, NI
6	106-8846-03	1	Frame-Hood
10	2411-41	1	Rod End-Ball Joint
11	106-8924-03	1	Hood Latch Lever ASM
12	3256-22	2	Washer-Flat
13	104-8310	2	Ring-Retaining
14	106-8928	1	Hook ASM
18	3272-1	2	Pin-Cotter
19	69-9140	1	Link-Lever, Valve
20	321-6	1	Screw-HH

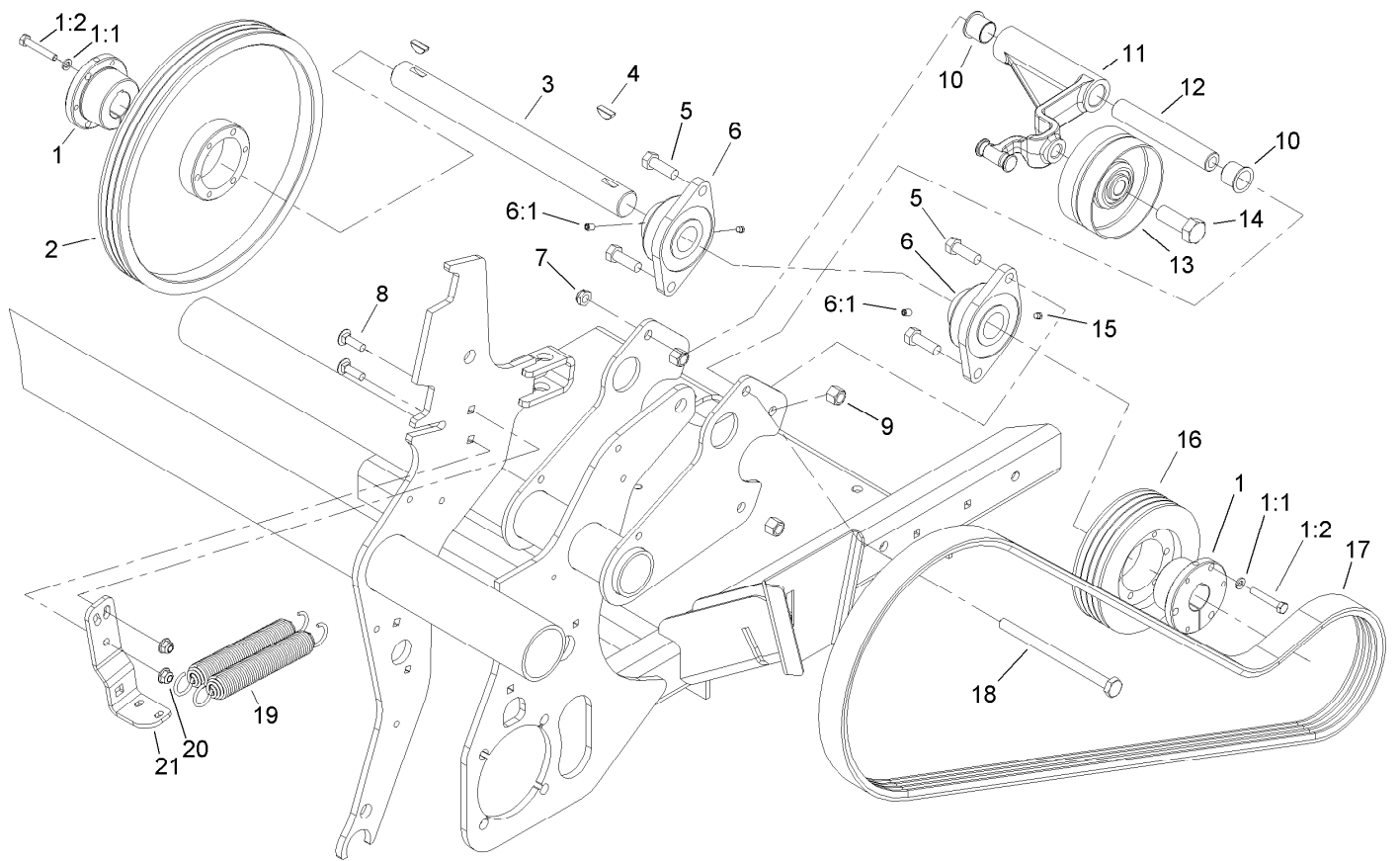


Primary Belt Drive Assembly

Ref.	Part Number	Qty.	Description
1	323-11	1	Screw-HH
2	80-6990	1	Washer-Hardened
3	99-3621	1	Pulley-Idler
4	100-4844	1	Spring-Torsion
5	99-3625	1	Spacer-Arm, Idler
6	99-3631	2	Bushing-Flange
7	105-0945	1	Sleeve-Pivot
8	72-4170	1	Washer
9	99-3623-03	1	Arm-Idler
10	3256-6	1	Washer-Flat
11	325-15	1	Screw-HH
12	107-3379	1	Pulley
13	105-0989	1	Belt-3V
14	99-3622	1	Spacer-Idler
15	3296-23	1	Nut-Lock, NI

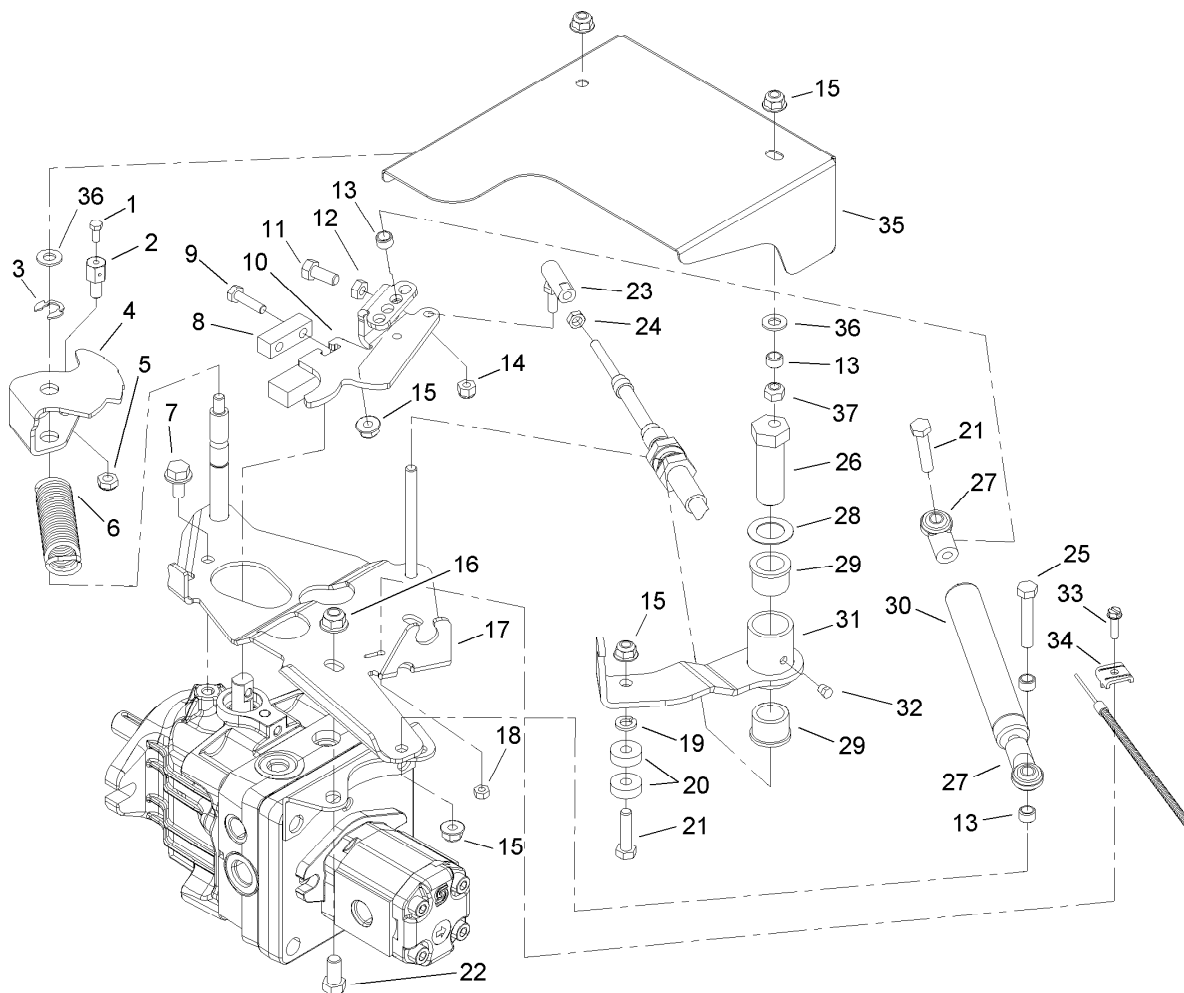
Ref.	Part Number	Qty.	Description
16	104-8300	2	Nut-HF, NI
17	105-0986-03	1	Bracket-Mounting, Idler
18	104-8301	1	Nut-HF, NI
19	324-7	3	Screw-HH
20	3256-82	3	Washer-Flat
21	107-3382	1	Strap-Clutch
22	1-633630	2	Grommet
23	1-633545	2	Spacer
24	322-6	2	Screw-HH
25	68-5440	2	Spacer
26	105-0985	1	Spacer-Support, Idler
27	108-2126	1	Clutch-Electric
28	26-0671	1	Screw-HH
29	1-543610	1	Washer-Clutch

● Not illustrated



Secondary Belt Drive Assembly

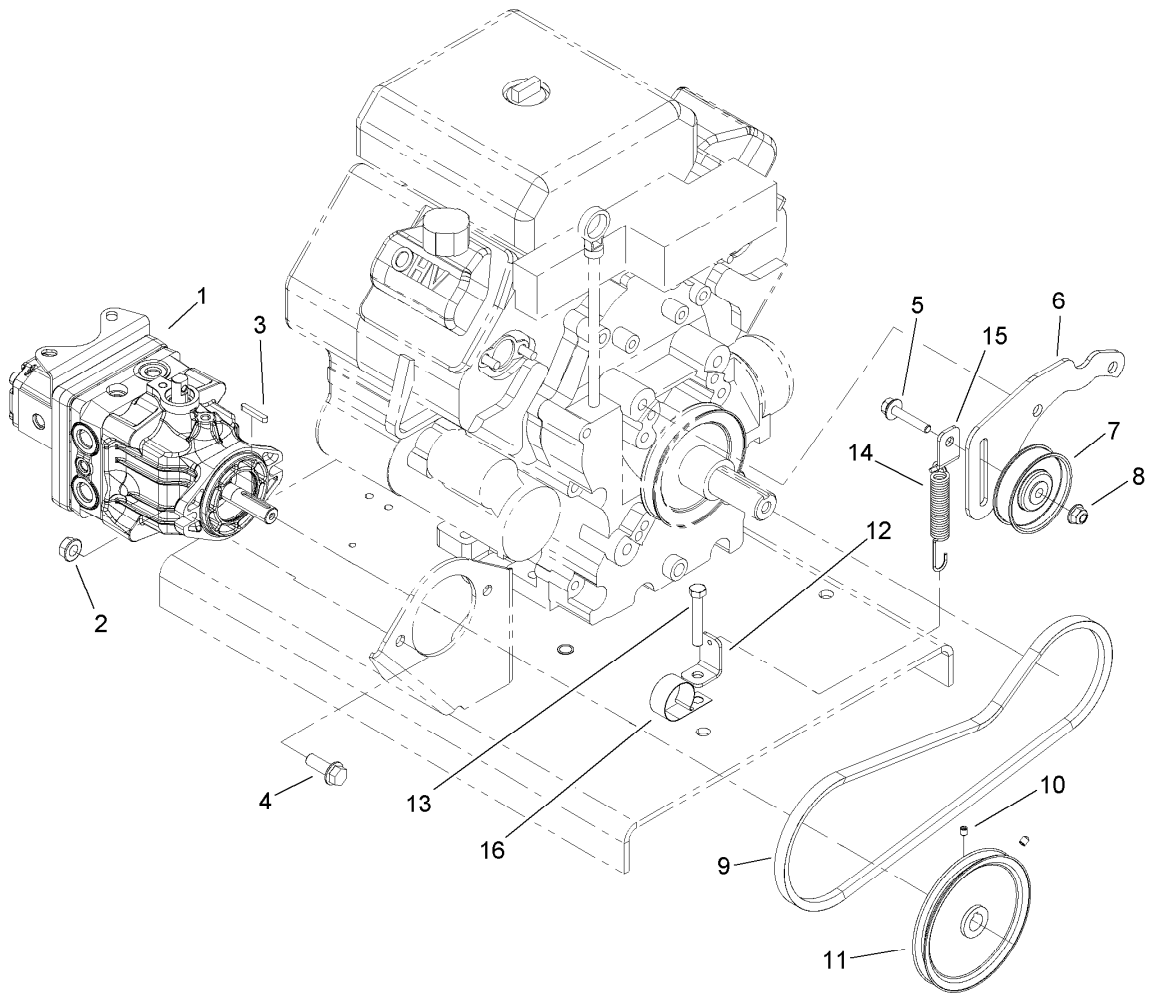
Ref.	Part Number	Qty.	Description
1	59-3790	2	Bushing-Lock, Taper
1:1	3253-4	3	Washer-Lock
1:2	322-10	3	Screw-HH
2	105-0977	1	Pulley-3V
3	105-0975	1	Jackshaft
4	3257-42	2	Key-Woodruff
5	325-6	4	Screw-HH
6	105-0962	2	Bearing-Mount, Flange
6:1	3246-17	1	Setscrew-HSH
7	3296-45	1	Nut-Hex
8	3231-25	2	Bolt-CARR
9	3296-23	4	Nut-Lock, NI
10	99-3631	2	Bushing-Flange
11	105-1132-03	1	Arm-Idler
12	105-1172	1	Tube-Pivot, Idler
13	100-7631	1	Pulley-Idler
14	328-24	1	Screw-HH
15	302-59	2	Plug-Threaded
16	105-0976	1	Pulley-3V
17	105-0991	1	Belt-Banded, 4 Groove
18	325-36	1	Screw-HH
19	106-8933	2	Spring-Extension
20	104-8301	2	Nut-HF, NI
21	105-1118-03	1	Arm-Spring, Idler



Hydrostat Control Assembly

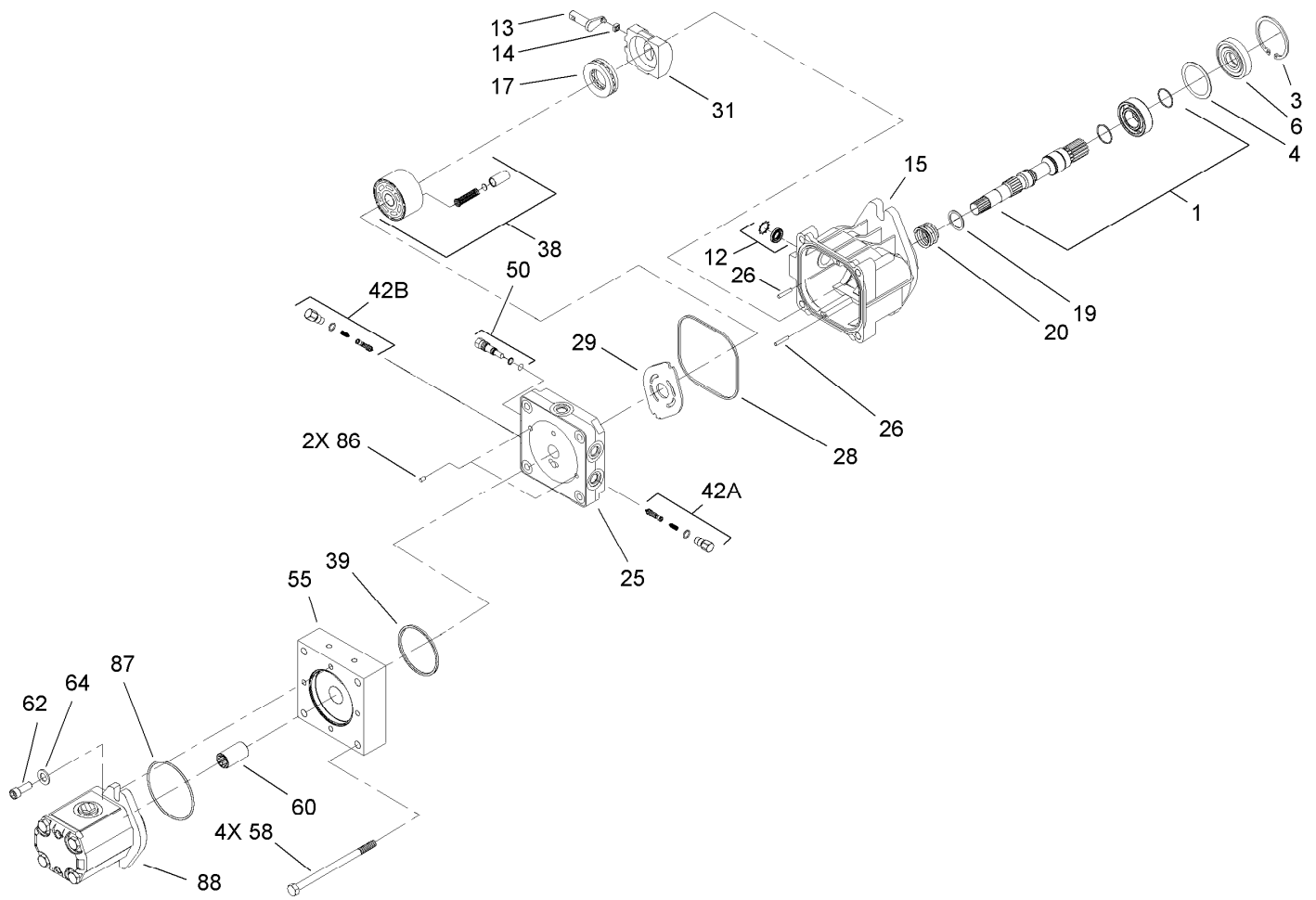
Ref.	Part Number	Qty.	Description
1	25-8640	1	Screw-HH
2	98-9311	1	Swivel-Throttle
3	32151-68	1	Ring-Retaining
4	105-1129-01	1	Pivot-Selector, Speed
5	3296-20	1	Nut-Lock, NI
6	707451	1	Spring-Extension
7	32144-14	1	Screw-HWHTF
8	105-1109	1	Clamp-Trunnion
9	321-6	2	Screw-HH
10	105-1125-01	1	Lever-Pump
11	3210-3	1	Screw-HH
12	3220-2	1	Nut-Jam
13	92-3133	4	Spacer-Lever, Traction
14	3296-3	1	Nut-Lock
15	104-8300	5	Nut-HF, NI
16	104-8301	2	Nut-HF, NI
17	105-1112-01	1	Control Bracket ASM
18	3296-2	1	Nut-Lock, NI
19	3253-4	1	Washer-Lock

Ref.	Part Number	Qty.	Description
20	251-259	2	Bearing-Ball
21	322-7	2	Screw-HH
22	323-4	2	Screw-HH
23	2411-34	1	Joint-Ball
24	3220-1	1	Nut-Jam
25	322-9	1	Screw-HH
26	76-8640	1	Stud-Traction
27	104-8331	2	End-Rod, Spherical
28	3-6498	1	Washer-Thrust
29	256-113	2	Bushing-Flange
30	105-3249	1	Damper
31	105-1060-01	1	Lever-Neutral
32	302-59	1	Plug-Threaded
33	32105-13	1	Screw-HWH
34	81-1690	1	Clamp-Cable
35	107-7578-01	1	Shield-Hydrostat
36	3256-23	2	Washer-Plain
37	3296-29	1	Nut-Lock, NI



Hydrostat Pump Assembly

Ref.	Part Number	Qty.	Description
1	108-6800	1	Hydrostat And Pump ASM
2	32128-37	2	Nut-HF
3	103-2739	1	Key
4	3234-15	2	Screw-HHF
5	3234-19	1	Screw-HHF
6	105-1085-03	1	Support-Idler
7	112426	1	Pulley-Idler
8	104-8301	1	Nut-HF, NI
9	107-7513	1	V-Belt
10	3245-7	2	Screw-Set
11	105-0988	1	Pulley-Drive
12	107-7583	1	Bracket-L
13	104-3396	1	Screw-HH
14	106-4502	1	Spring-Scraper
15	107-7588	1	Bracket-Spring
16	2412-150	1	Clip-J

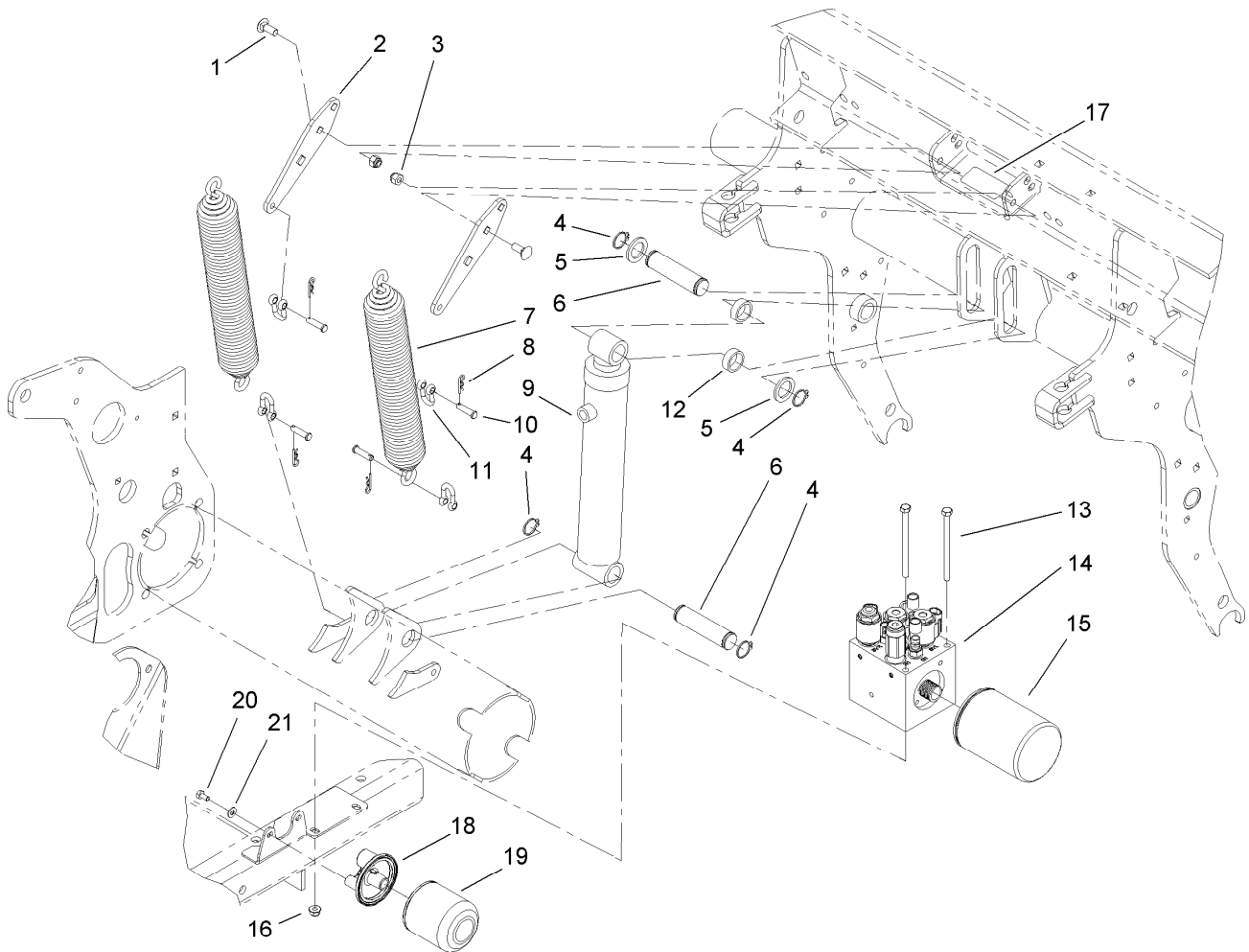


Hydrostat and Pump Assembly No. 108-6800

Ref.	Part Number	Qty.	Description	Ref.	Part Number	Qty.	Description
1		1	Pump Shaft Kit ■	31		1	Swashplate-Variable ■
3		1	Ring-Retaining ■	38	108-2112	1	Cylinder Block Kit
4		1	Spacer ■	39		1	Ring ■
6		1	Seal-Lip ■	42	108-2109	2	Shock Valve Kit
12		1	Trunnion Seal Kit ■	50	106-8759	1	Bypass Valve Kit
13		1	Arm-Trunnion ■	55		1	Plate-Adapter ■
14		1	Slot-Guide ■	58		4	Screw-Hex, Flange Head ■
15		1	Housing Kit ■	60		1	Coupling ■
17		1	Thrust Bearing ASM ■	62		2	Capscrew-Sh ■
19		1	Washer-Thrust ■	64		2	Washer ■
20		1	Spring-Block ■	85	108-2110	1	Overhaul Seal Kit ●
25		1	Endcap Kit ■	86		2	Pin ■
26		2	Pin ■	87		1	Seal-Dust ■
28		1	Seal-Dust ■	88	108-2113	1	Pump-HYD
29	108-6801	1	Plate-Valve	88:1	106-6362	1	Seal Kit ●

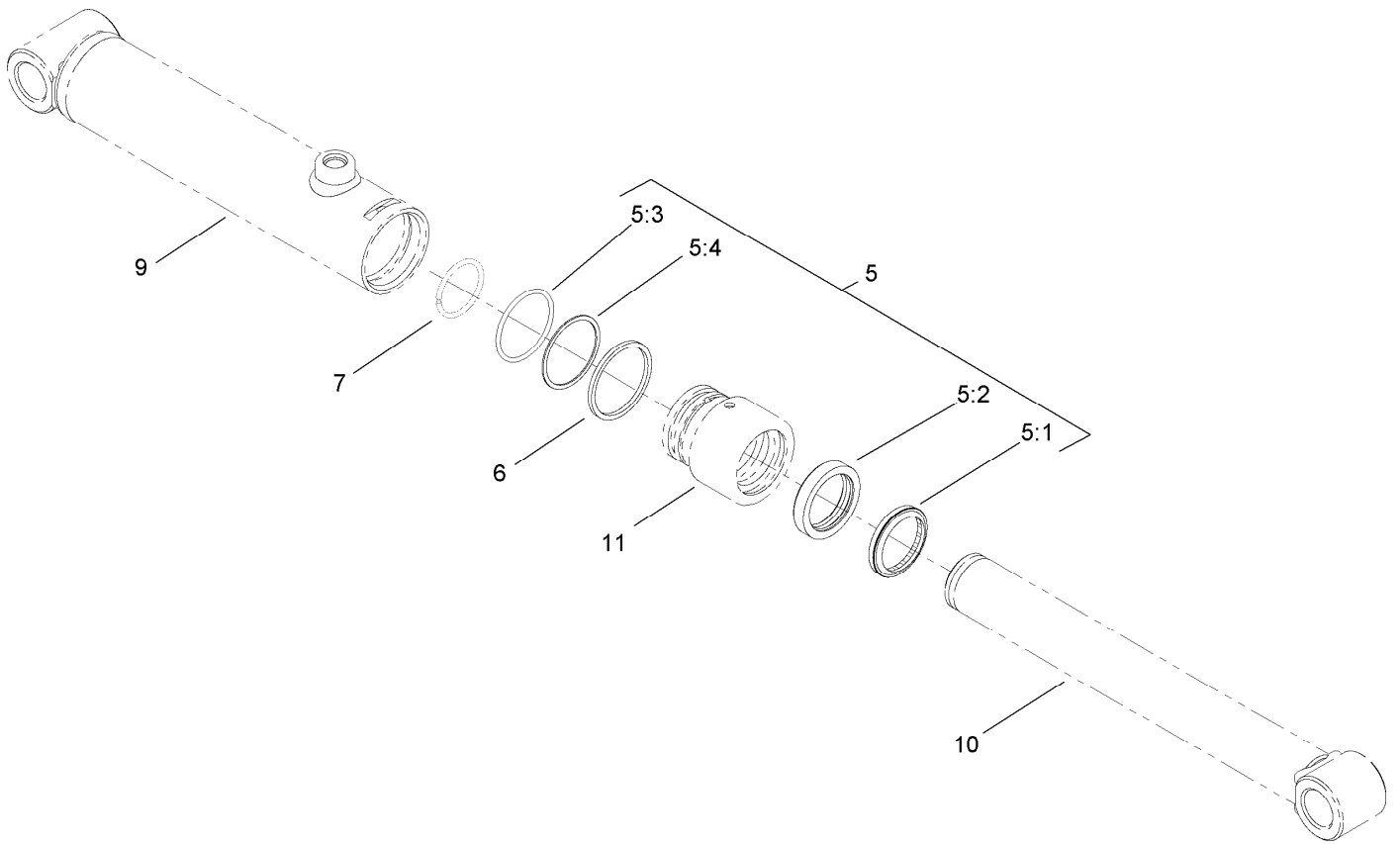
● Not illustrated

■ Not serviced separately



Lift System Assembly

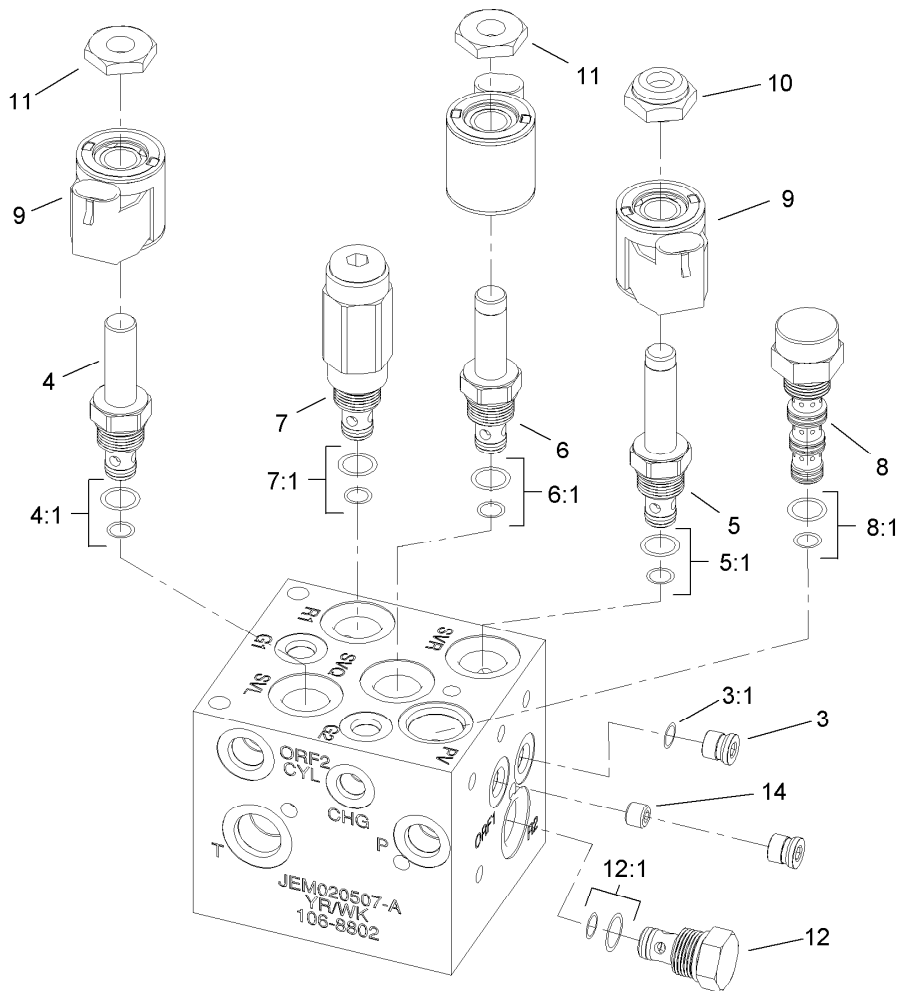
<i>Ref.</i>	<i>Part Number</i>	<i>Qty.</i>	<i>Description</i>
1	3231-2	4	Bolt-CARR
2	105-1190-01	2	Plate-Tension, Spring
3	104-8301	4	Nut-HF, NI
4	32151-36	4	Ring-Retaining
5	256-115	2	Washer-Thrust
6	105-1031	2	Pin-Cylinder
7	105-1156-03	2	Spring-Extention
8	3290-307	4	Pin-Cotter
9	105-1030	1	HYD Cylinder ASM
10	283-6	4	Pin-Clevis
11	282-4	4	Shackle
12	88-7530	2	Spacer
13	322-38	2	Screw-HH
14	106-8802	1	Manifold-Control
15	107-9531	1	Filter-Oil, HYD
16	104-8300	2	Nut-HF, NI
17	93-6696	1	Decal-Warning
18	103-2888	1	Head-Filter
19	1-633750	1	Filter-Oil, HYD
20	321-2	2	Screw-HH
21	3256-22	2	Washer-Flat



Hydraulic Cylinder Assembly No. 105-1030

<i>Ref.</i>	<i>Part Number</i>	<i>Qty.</i>	<i>Description</i>
5	108-6795	1	Cylinder Seal Kit
5:1		1	Wiper ●
5:2		1	Seal ASM ●
5:3		1	Seal-Dust ●
5:4		1	Back-Up ●
6	108-6797	1	Ring-Retainging
7		1	Ring-Retainging ●
9		1	Tube ASM ●
10		1	Rod ASM ●
11		1	Head ●

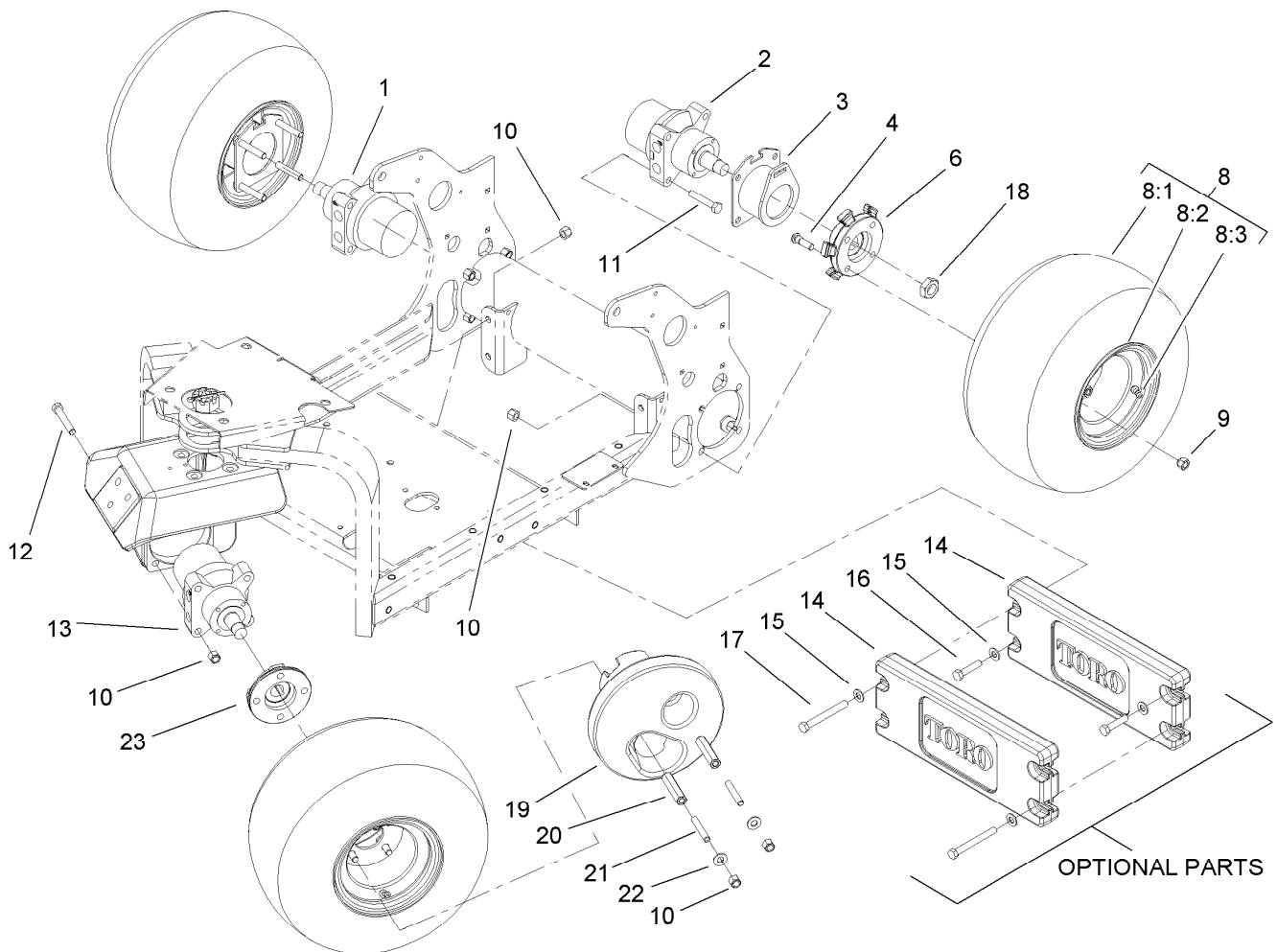
● Not serviced separately



Control Manifold Assembly No. 106-8802

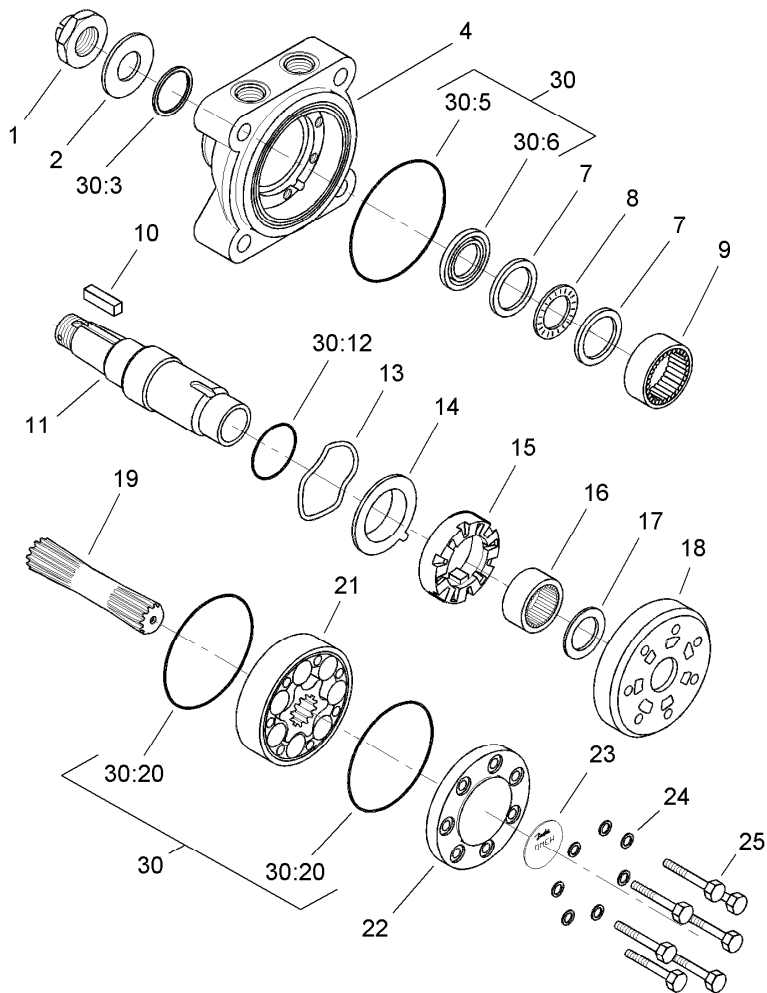
Ref.	Part Number	Qty.	Description
3	106-1025	2	Plug-HYD
3:1	237-78	1	O-Ring
4	112-9206	1	Solenoid Valve ASM
4:1	105-9156	1	Seal Kit
5	107-7517	1	Valve-Solenoid
5:1	105-9156	1	Seal Kit
5:2	107-7812	1	Nut-Solenoid ●
6	107-7518	1	Valve-Solenoid
6:1	107-7527	1	Seal Kit
7	107-7519	1	Valve-Relief, 900 PSI
7:1	105-9156	1	Seal Kit
8	107-7520	1	Compensator-Pressure (W/Screen)
8:1	107-7528	1	Seal Kit
9	107-7521	3	Coil-E, 12V
10	107-7522	1	Nut-E Coil
11	105-9332	2	Nut-E Coil
12	107-7524	1	Check Valve ASM
12:1	105-9156	1	Seal Kit
14	107-7525	1	Plug-Orifice (.050 Inch)

● Not illustrated



Wheel and Motor Assembly

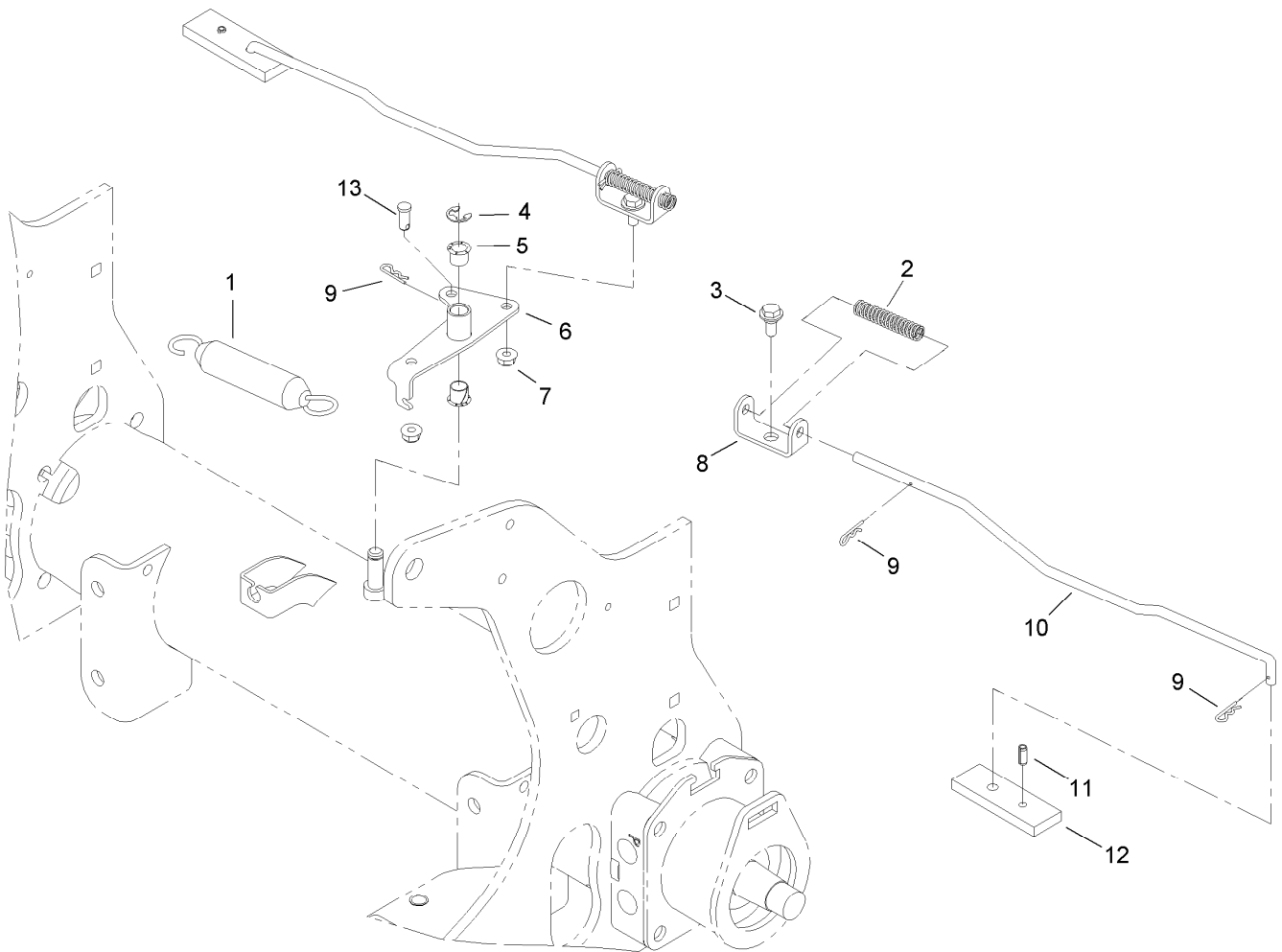
Ref.	Part Number	Qty.	Description
1	106-8807	1	HYD Motor ASM
2	106-8806	1	HYD Motor ASM
3	106-8881-03	2	Support-Latch, Parking
4	85-6540	12	Stud-Drive
6	108-2101-03	2	Hub-Wheel, Spoked
8	99-8186	3	Wheel And Tire ASM
8:1	70-8500	1	Tire-Smooth, 2-Ply
8:2	94-6116	1	Wheel-Rear
8:3	232-27	1	Stem-Valve
9	242-50	10	Nut-Lug
10	3296-23	18	Nut-Lock, NI
11	325-11	8	Screw-HH
12	325-13	4	Screw-HH
13	106-8808	1	HYD Motor ASM
14	99-6166-01	2	Counterweight-Front
15	3256-26	4	Washer-Flat
16	325-9	2	Screw-HH
17	325-18	2	Screw-HH
18	26-3790	3	Nut-Lock
19	107-3396-03	1	Weight-Wheel
20	107-3399	2	Adapter-Weight, Wheel
21	105-1088	2	Stud
22	87-7270	2	Washer-Thrust
23	108-2103-03	1	Hub-Wheel



Hydraulic Motor Assembly No. 106-8806, 106-8807 and 106-8808

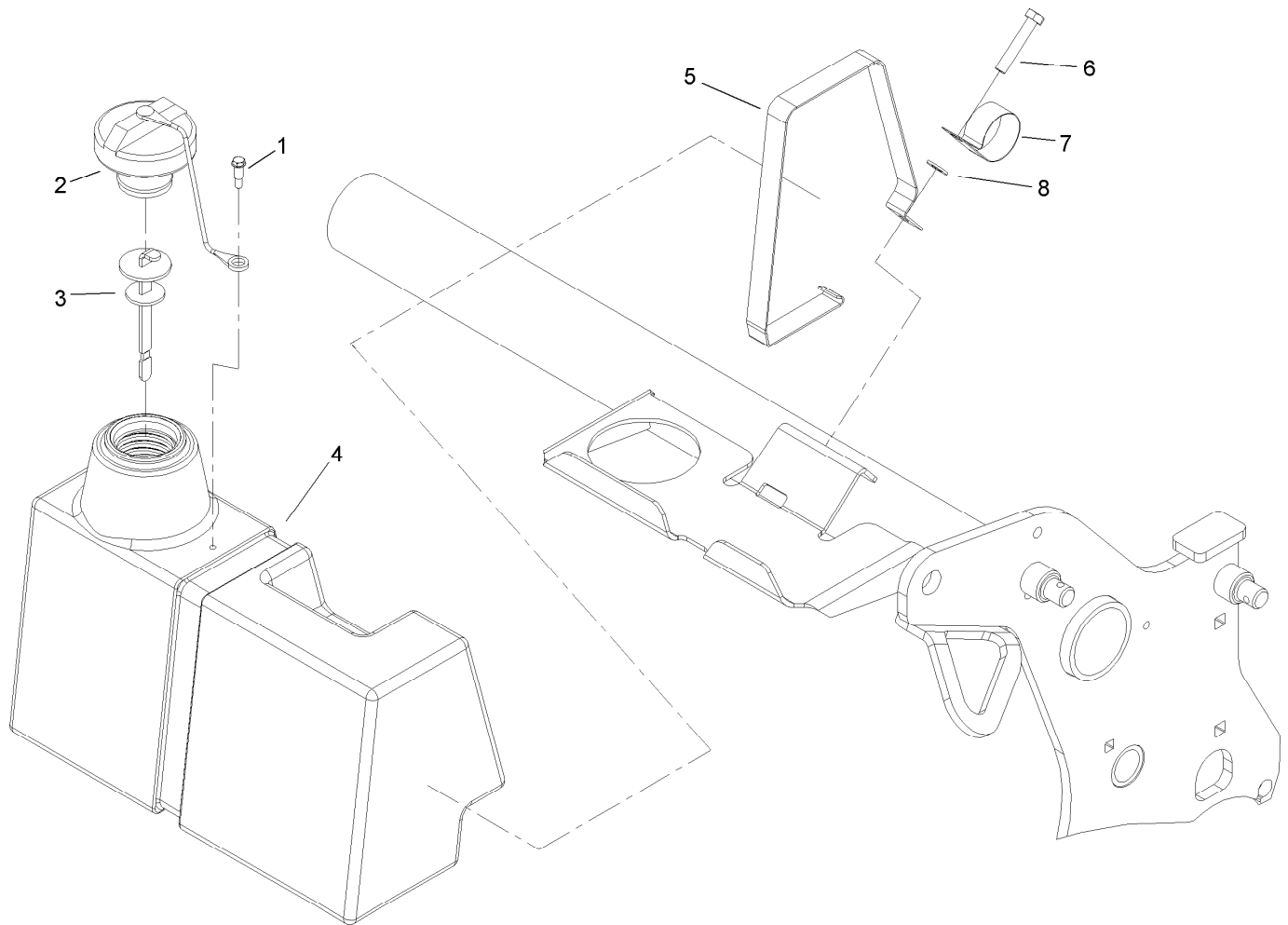
Ref.	Part Number	Qty.	Description	Ref.	Part Number	Qty.	Description
1		1	Nut-Castellated ●	18		1	Plate-Distributor ●
2		1	Washer ●	19		1	Shaft-Cardan ●
4		1	Housing ●	21		1	Gearwheel Set ●
7		2	Race-Bearing ●	22		1	Cover-End ●
8		1	Bearing-Needle, Axial ●	23		1	Plate-Name ●
9		1	Bearing-Needle, Radial ●	24		7	Washer ●
10		1	Key-Parallel ●	25		7	Washer ●
11		1	Shaft-Tapered ●	30	108-6796	1	Seal Kit
13		1	Washer-Spring ●	30:3		1	Ring-Dust, Seal ●
14		1	Plate-Balance ●	30:5		1	Seal-Dust ●
15		1	Disc-Valve ●	30:6		1	Seal-Shaft ●
16		1	Bearing-Needle, Radial ●	30:12		1	Seal-Dust ●
17		1	Race-Bearing ●	30:20		2	Seal-Dust ●

● Not serviced separately



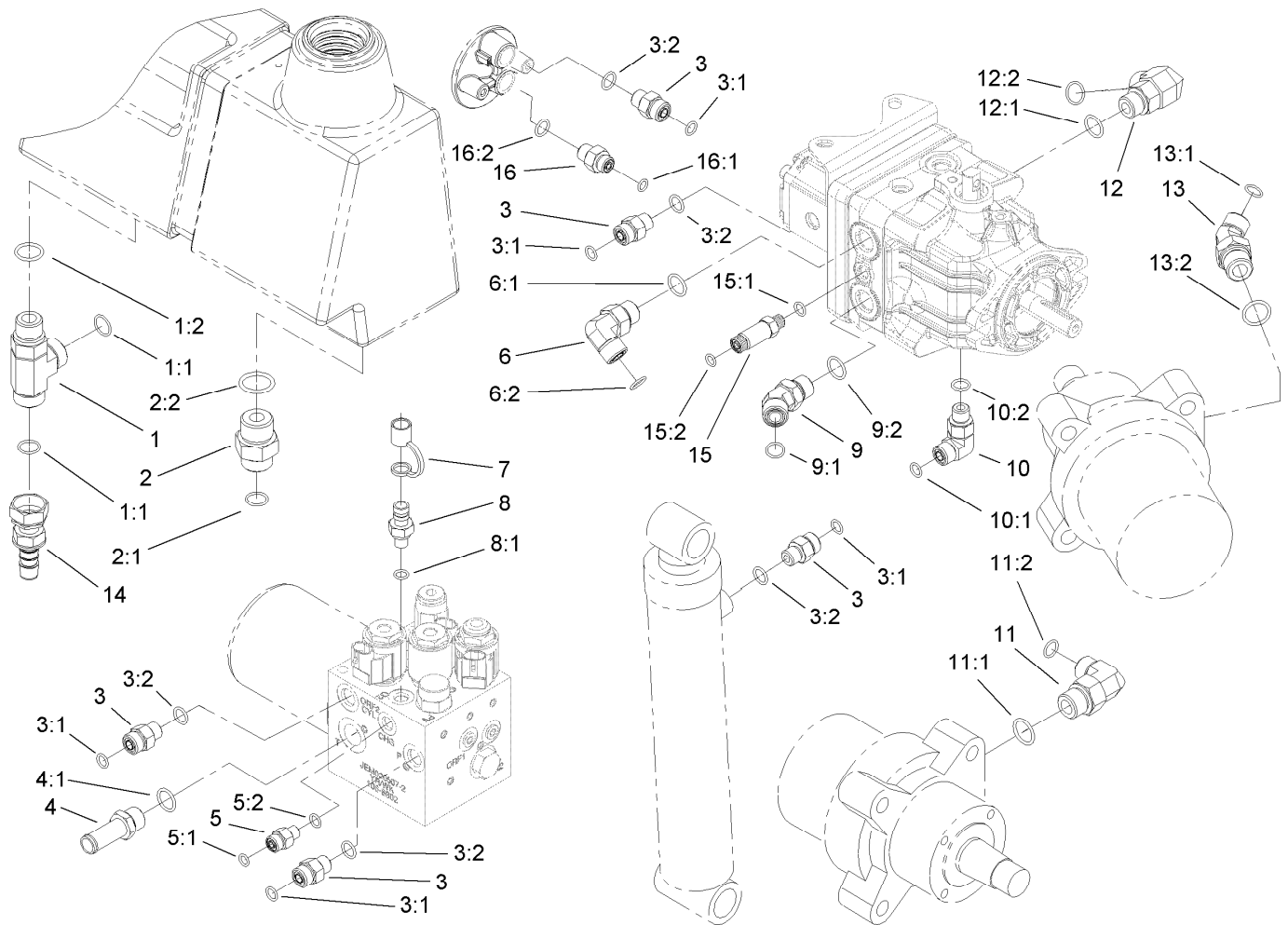
Brake Latch Assembly

<i>Ref.</i>	<i>Part Number</i>	<i>Qty.</i>	<i>Description</i>
1	66-4270	1	Spring-Extension
2	107-3376	2	Spring-Compression
3	19-1470	2	Screw-Shoulder
4	32120-47	2	Ring-Retaining, External
5	256-257	2	Bushing-Nyliner
6	106-8887-03	1	Pivot-Latch, Parking
7	104-8300	2	Nut-HF, NI
8	106-8890-03	2	Clevis-Latch, Parking
9	3290-307	5	Pin-Cotter
10	106-8886	2	Link-Latch, Parking
11	32121-134	2	Pin-Roll
12	106-8885-03	2	Bar-Latch, Parking
13	283-62	1	Pin-Clevis



Hydraulic Tank Assembly

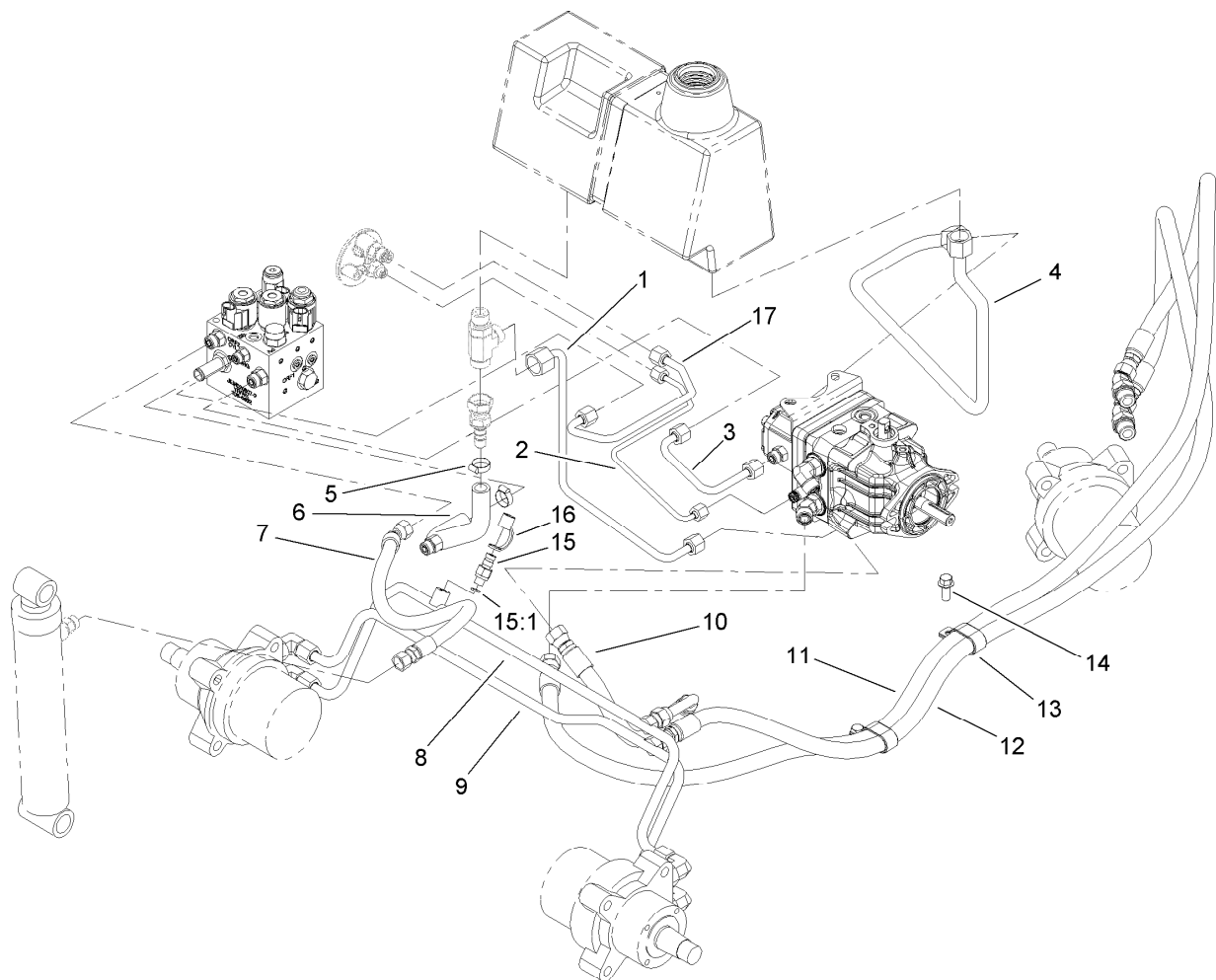
<i>Ref.</i>	<i>Part Number</i>	<i>Qty.</i>	<i>Description</i>
1	57-5420	1	Screw-Shoulder
2	93-7160	1	Cap-Oil, HYD
3	106-8811	1	Dipstick ASM
4	106-8877	1	Reservoir-Oil, HYD
5	94-4642-03	1	Strap-Tank, HYD
6	322-41	1	Screw-HH
7	2412-150	1	Clip-J
8	3256-23	1	Washer-Plain



Hydraulic Fitting Assembly

Ref.	Part Number	Qty.	Description
1	340-22	1	Fitting-Tee
1:1	237-65	2	O-Ring
1:2	237-80	1	O-Ring
2	340-8	1	Fitting-Straight
2:1	237-65	1	O-Ring
2:2	237-81	1	O-Ring
3	340-2	5	Fitting-Straight
3:1	237-22	1	O-Ring
3:2	237-42	1	O-Ring
4	107-7569	1	Fitting-STR
4:1	237-79	1	O-Ring
5	340-88	1	Fitting-Straight
5:1	237-22	1	O-Ring
5:2	237-78	1	O-Ring
6	340-98	1	Fitting-Elbow, 90 DEG
6:1	237-79	1	O-Ring
6:2	237-30	1	O-Ring
7	354-79	2	Cap-Dust
8	354-77	2	Fitting-Quick
8:1	237-78	1	O-Ring
9	340-101	1	Fitting-HYD, 45 DEG

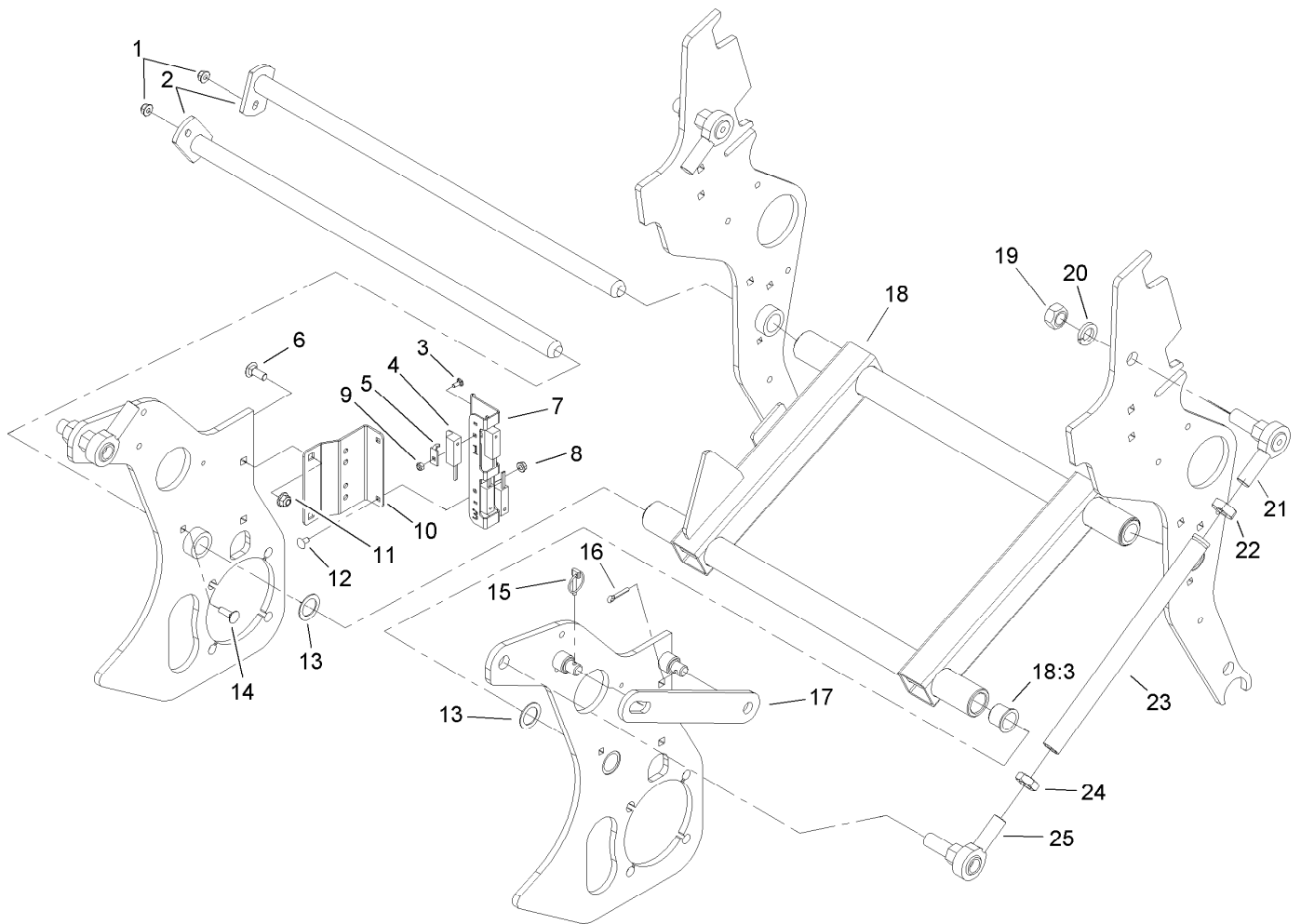
Ref.	Part Number	Qty.	Description
9:1	237-30	1	O-Ring
9:2	237-79	1	O-Ring
10	340-77	1	Fitting-Elbow, 90 DEG
10:1	237-22	1	O-Ring
10:2	237-42	1	O-Ring
11	340-105	4	Fitting-Elbow, 90 DEG
11:1	237-80	1	O-Ring
11:2	237-30	1	O-Ring
12	340-153	1	Fitting-Elbow, 90 DEG
12:1	237-79	1	O-Ring
12:2	237-151	1	O-Ring
13	340-89	2	Fitting-HYD, 45 DEG
13:1	237-30	1	O-Ring
13:2	237-80	1	O-Ring
14	107-7568	1	Fitting-HYD, Barbed
15	94-1403	1	Adapter-HYD
15:1	237-78	1	O-Ring
15:2	237-21	1	O-Ring
16	340-1	1	Fitting-Straight
16:1	237-21	1	O-Ring
16:2	237-42	1	O-Ring



Hydraulic Line and Hose Assembly

<i>Ref.</i>	<i>Part Number</i>	<i>Qty.</i>	<i>Description</i>
1	107-3388	1	Tube ASM
2	108-6812	1	Tube ASM
3	106-8813	1	Tube ASM
4	107-3387	1	Tube ASM
5	2412-141	2	Clamp-Drive, Worm
6	107-7565	1	Hose-Formed
7	105-3919	1	Hose-HYD
8	106-8819	1	Tube ASM
8:1	237-30	1	O-Ring ●
9	106-8818	1	Tube ASM
9:1	237-30	1	O-Ring ●
10	84-0890	1	Hose ASM
11	106-8822	1	Hose ASM
12	106-8821	1	Hose ASM
13	106-8829	2	R Clamp-Double
14	3234-11	2	Screw-HHF
15	354-77	1	Fitting-Quick
15:1	237-78	1	O-Ring
16	354-79	1	Cap-Dust
17	108-6811	1	Tube ASM

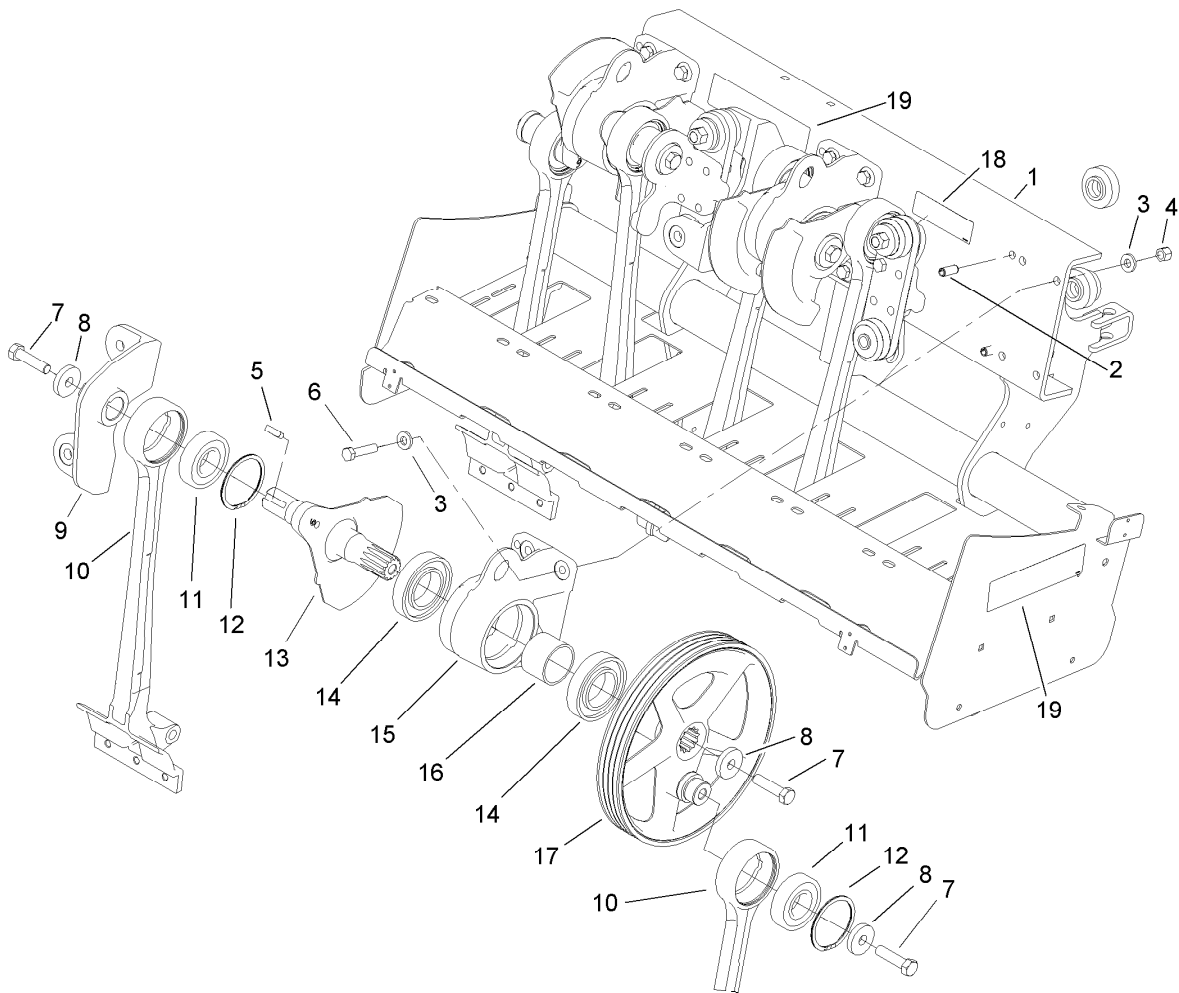
● Not illustrated



H-Frame Assembly

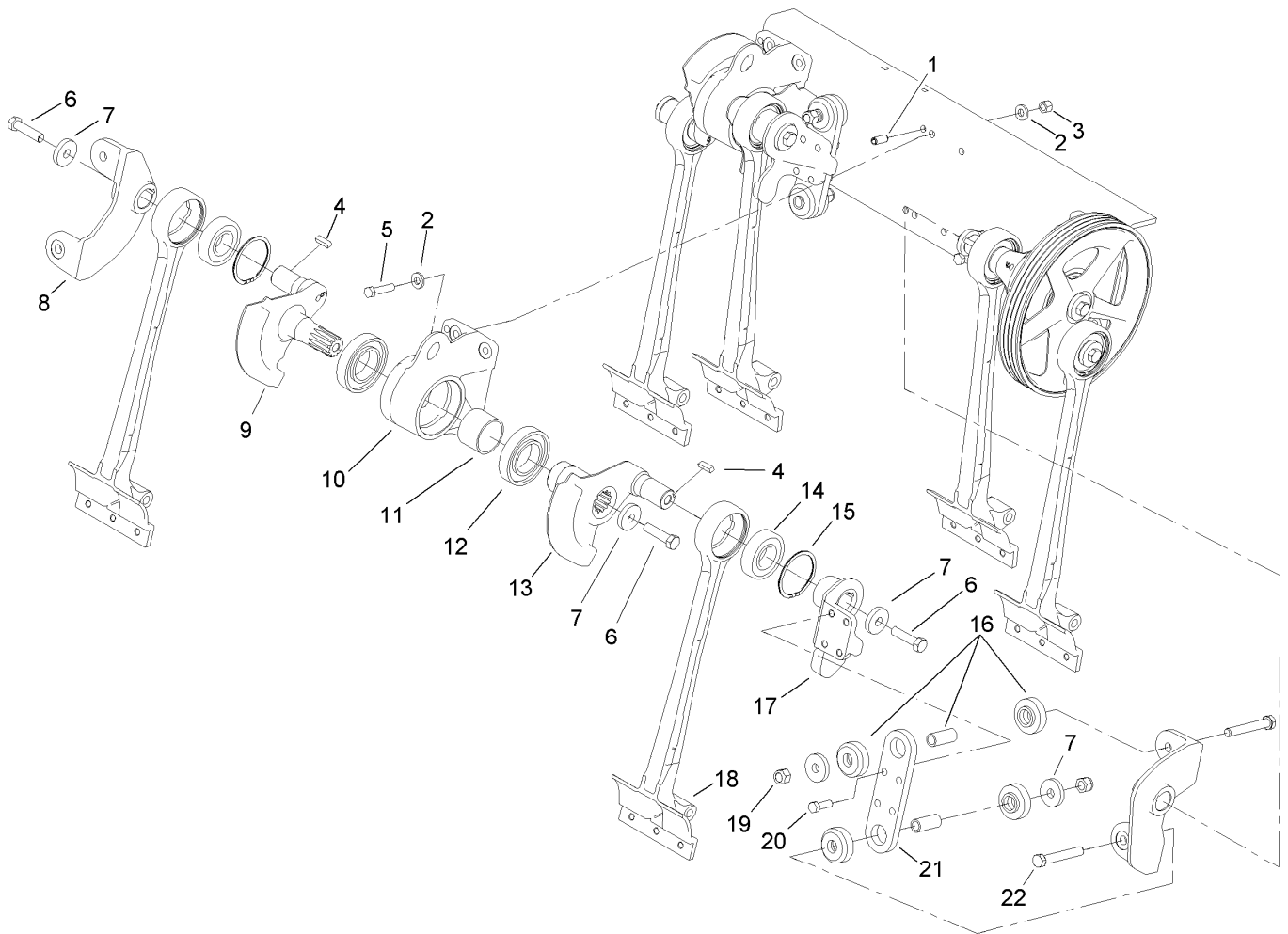
<i>Ref.</i>	<i>Part Number</i>	<i>Qty.</i>	<i>Description</i>
1	104-8300	2	Nut-HF, NI
2	105-0950	2	Pivot Shaft ASM
3	104-1450	4	Bolt-CARR
4	100-1270	4	Switch-Proximity
5	100-4872	4	Plate-Switch, Neutral
6	3231-2	2	Bolt-CARR
7	107-7515	1	Bracket-Mount, Switch
8	32128-10	2	Nut-Lock, HHF
9	3296-2	4	Nut-Lock, NI
10	105-1006-01	1	Bracket-Switch
11	104-8301	2	Nut-HF, NI
12	3229-10	2	Screw-CARR
13	10-8110	3	Washer-Thrust

<i>Ref.</i>	<i>Part Number</i>	<i>Qty.</i>	<i>Description</i>
14	3230-2	2	Bolt-CARR
15	3290-495	1	Pin-Klik
16	3272-21	1	Pin-Cotter
17	105-0983-01	1	Bar-Prop
18	106-8805	1	H-Frame ASM
18:3	99-3631	4	Bushing-Flange
19	3219-7	4	Nut-Hex
20	3253-9	4	Washer-Lock
21	105-1025	2	End-Rod
22	3220-17	2	Nut-Jam, LH
23	105-1007	2	Link-Upper
24	3220-7	2	Nut-Jam
25	2411-40	2	End-Rod



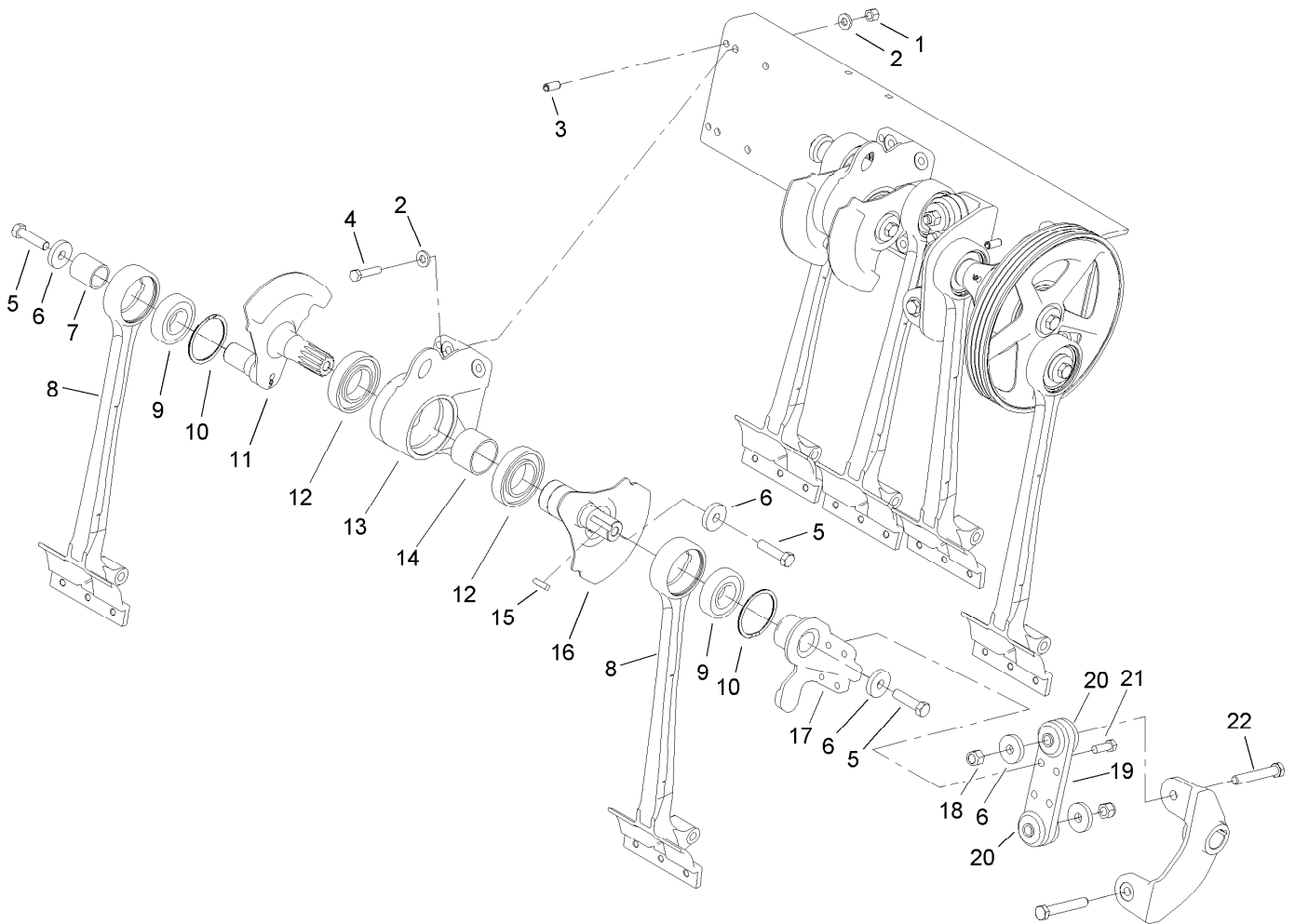
Coring Head Crank No. 1 and 2 Assembly

<i>Ref.</i>	<i>Part Number</i>	<i>Qty.</i>	<i>Description</i>
1	110-1495-01	1	Frame-Rear
2	105-1041	2	Pin-Spring
3	107-3395	8	Washer-Hardened
4	3296-23	4	Nut-Lock, NI
5	105-1089	1	Key-Square
6	325-9	4	Screw-HH
7	327-7	3	Screw-HH
8	105-1016	3	Washer-Flat
9	105-0969	1	Coupling-No.2
10	106-8873	2	Arm-Stomper
11	106-8871	2	Bearing-Ball
12	106-8872	2	Ring-Retaining
13	105-0958	1	Crankarm-No. 2, 4, 6
14	105-0965	2	Bearing-Ball
15	105-0956	1	Housing-Bearing
16	105-1017	1	Spacer
17	105-0967	1	Pulley-Crankshaft
18	107-7548	1	Decal-Torque, Bolt
19	107-7534	3	Decal-Warning



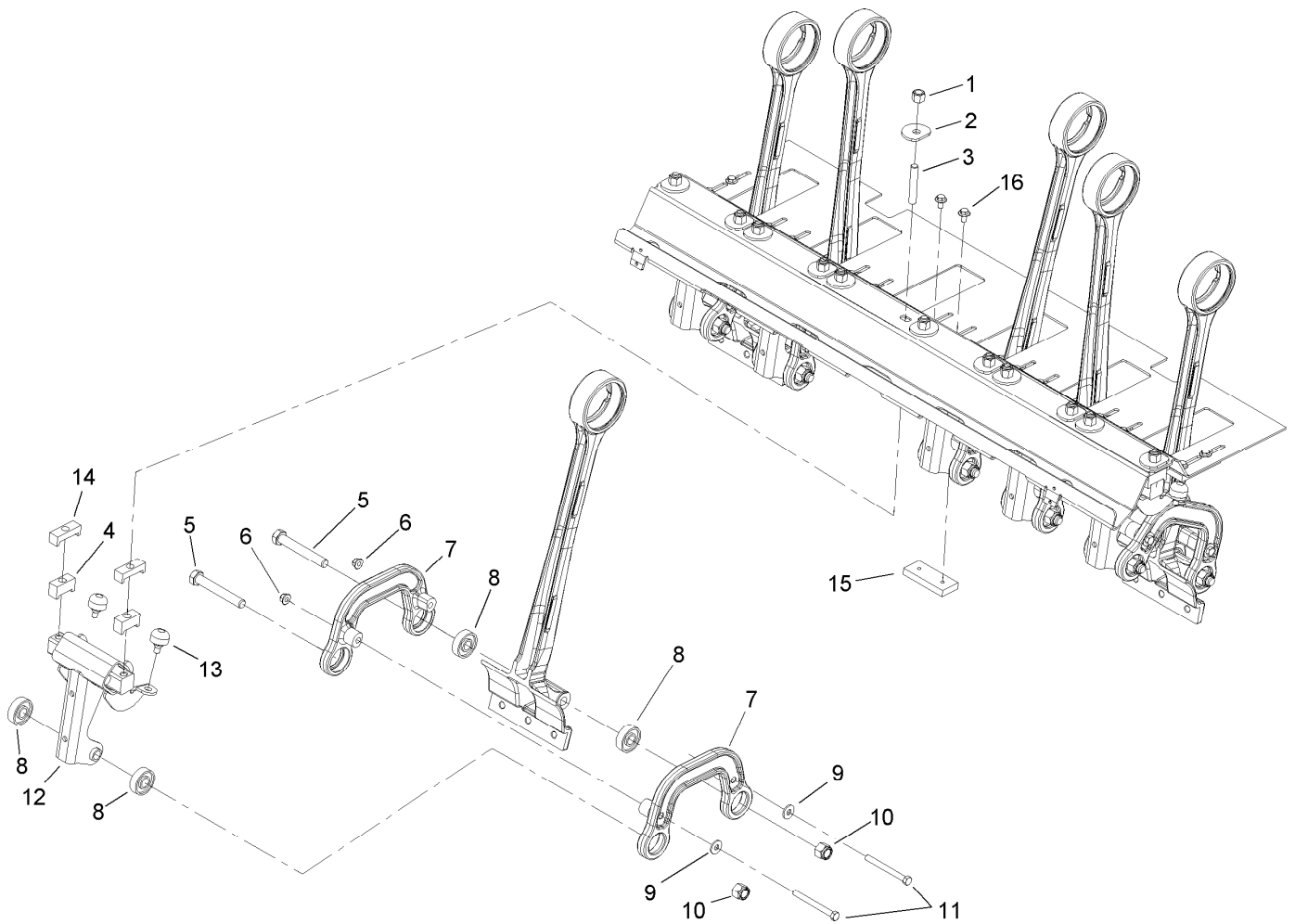
Coring Head Crank No. 3 and 4 Assembly

<i>Ref.</i>	<i>Part Number</i>	<i>Qty.</i>	<i>Description</i>
1	105-1041	2	Pin-Spring
2	107-3395	8	Washer-Hardened
3	3296-23	4	Nut-Lock, NI
4	105-1089	2	Key-Square
5	325-9	4	Screw-HH
6	327-7	3	Screw-HH
7	105-1016	5	Washer-Flat
8	105-0946	1	Coupling-No. 4
9	105-0958	1	Crankarm-No. 2, 4, 6
10	105-0956	1	Housing-Bearing
11	105-1017	1	Spacer
12	105-0965	2	Bearing-Ball
13	105-0960	1	Crankarm-No. 3, 5
14	106-8871	2	Bearing-Ball
15	106-8872	2	Ring-Retaining
16	105-0963	2	Mount-ISO, Crank
17	105-0971	1	Coupling-No. 3
18	106-8873	2	Arm-Stomper
19	3296-53	2	Nut-Lock, NI
20	325-6	4	Screw-HH
21	105-0974-03	1	Plate-Coupling
22	327-29	2	Screw-HH



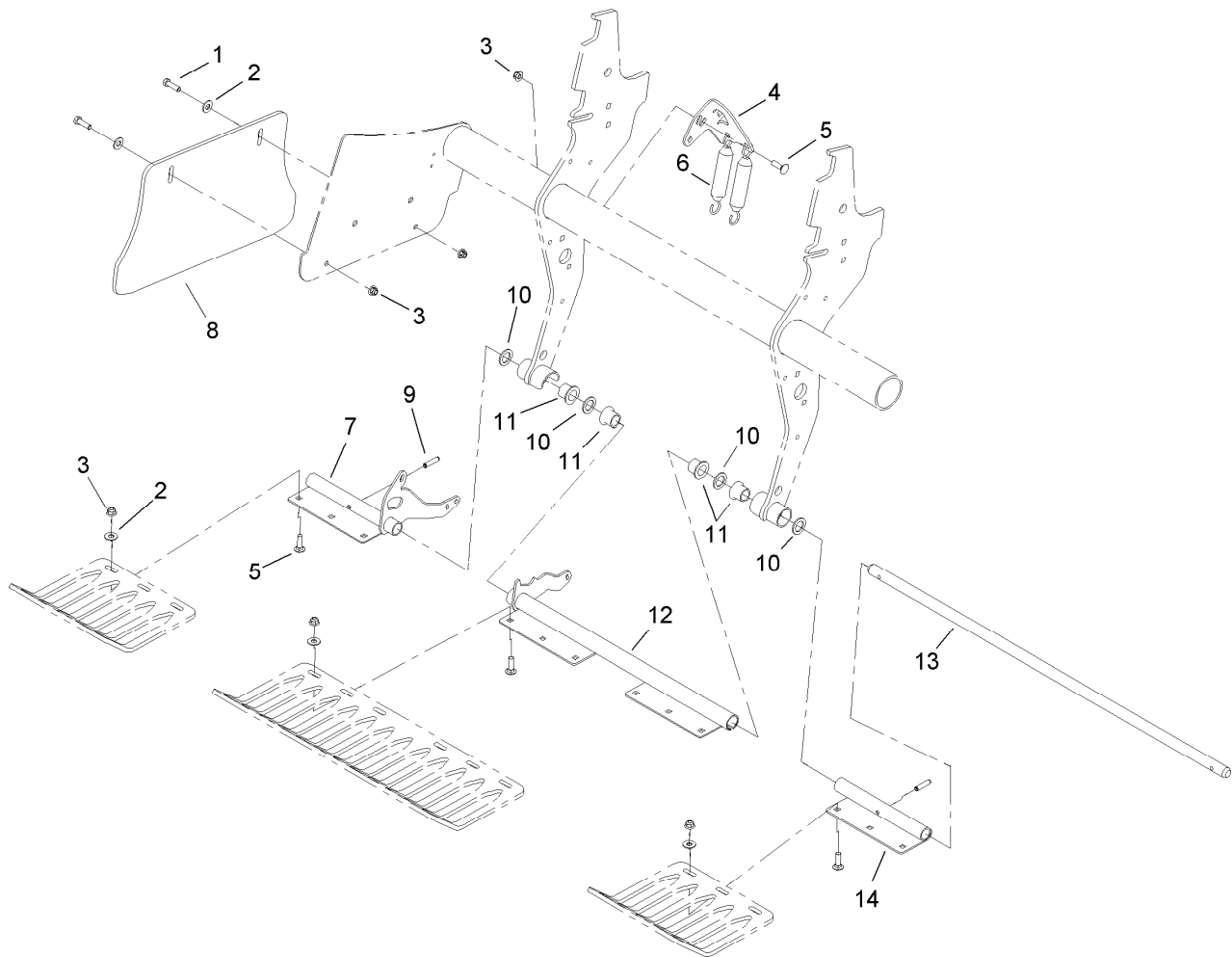
Coring Head Crank No. 5 and 6 Assembly

<i>Ref.</i>	<i>Part Number</i>	<i>Qty.</i>	<i>Description</i>
1	3296-23	4	Nut-Lock, NI
2	107-3395	8	Washer-Hardened
3	105-1041	2	Pin-Spring
4	325-9	4	Screw-HH
5	327-7	3	Screw-HH
6	105-1016	5	Washer-Flat
7	105-1039	1	Tube-Spacer
8	106-8873	2	Arm-Stomper
9	106-8871	2	Bearing-Ball
10	106-8872	2	Ring-Retaining
11	105-0958	1	Crankarm-No. 2, 4, 6
12	105-0965	2	Bearing-Ball
13	105-0956	1	Housing-Bearing
14	105-1017	1	Spacer
15	105-1089	1	Key-Square
16	105-0960	1	Crankarm-No. 3, 5
17	105-0948	1	Coupling-No. 5
18	3296-53	2	Nut-Lock, NI
19	105-0974-03	1	Plate-Coupling
20	105-0963	2	Mount-ISO, Crank
21	325-6	4	Screw-HH
22	327-29	2	Screw-HH



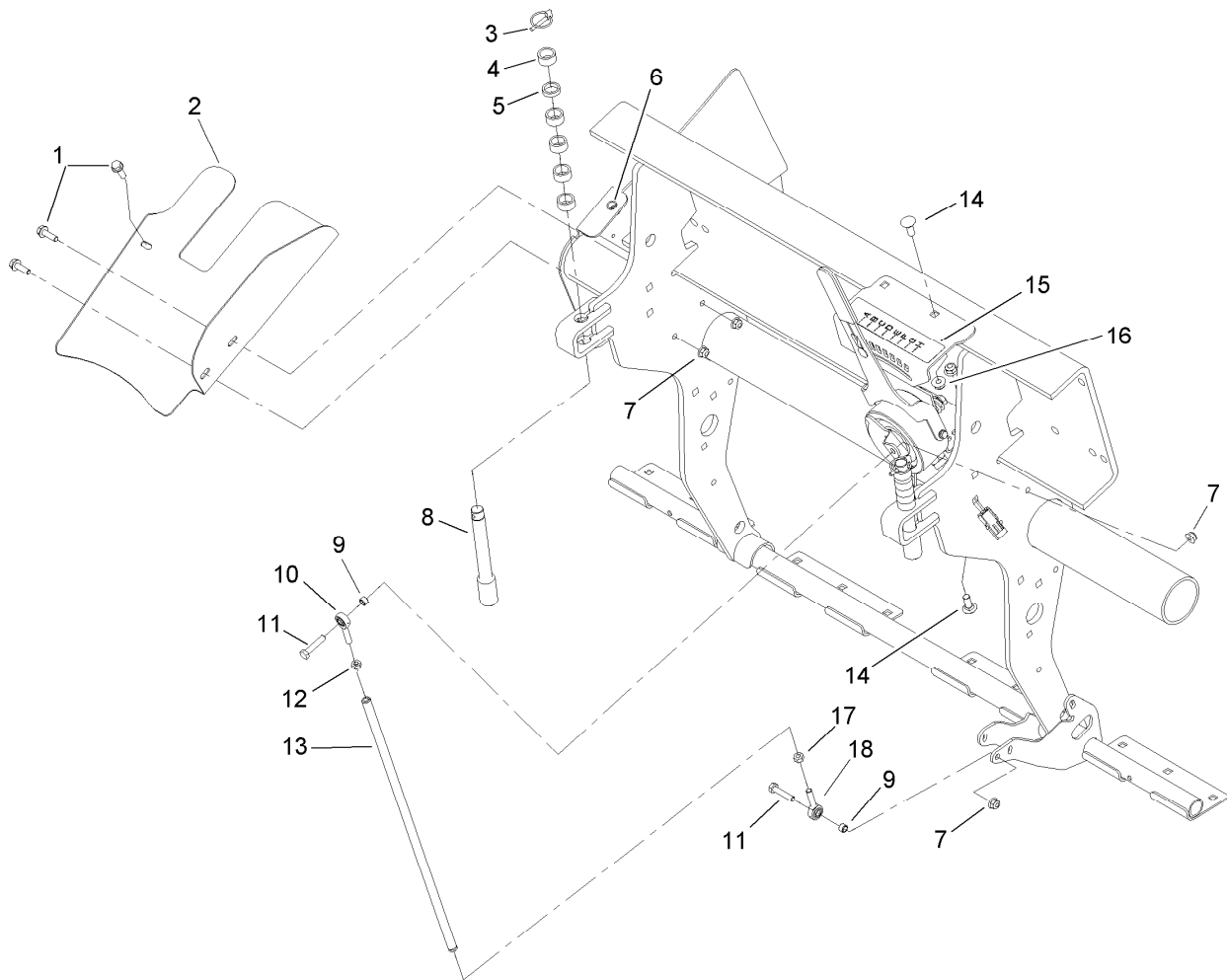
Coring Head Roto Link Assembly

<i>Ref.</i>	<i>Part Number</i>	<i>Qty.</i>	<i>Description</i>
1	32128-23	12	Nut-HF
2	107-7543	12	Washer-Hardened
3	105-1088	12	Stud
4	105-0999	12	Standoff-Damper V
5	327-29	12	Screw-HH
6	104-8301	12	Nut-HF, NI
7	105-1000	12	Link-Damper
8	251-311	24	Bearing-Ball
9	80-6990	12	Washer-Hardened
10	3296-53	12	Nut-Lock, NI
11	323-42	12	Screw-HH
12	106-8922	6	Damper
13	87-2440	12	Bumper-Rubber
14	107-7582	12	Spacer-Damper, Top V
15	107-7584	7	Plate-Bumper V
16	3234-7	14	Screw-HHF



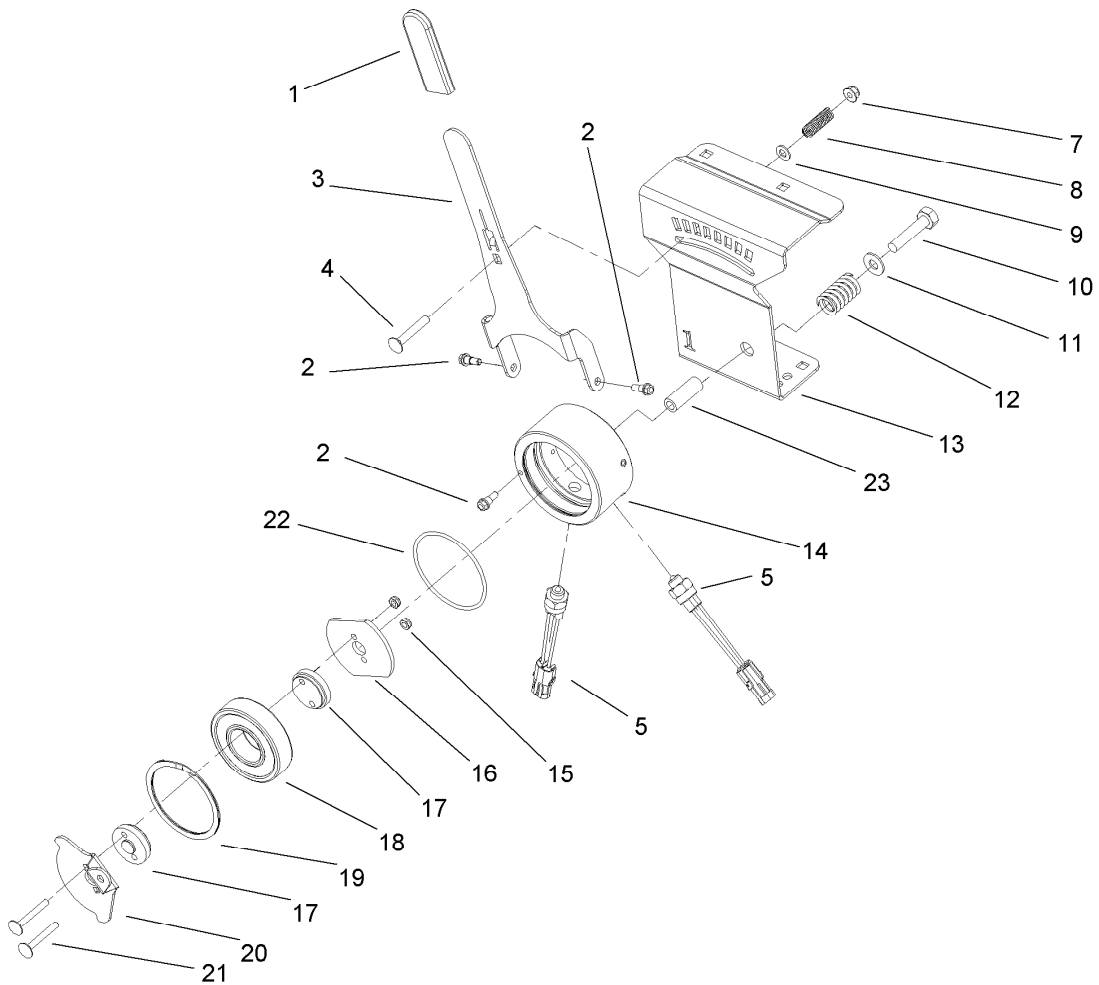
Coring Head Turf Guard Assembly

<i>Ref.</i>	<i>Part Number</i>	<i>Qty.</i>	<i>Description</i>
1	323-7	4	Screw-HH
2	3256-4	14	Washer-Flat
3	104-8301	18	Nut-HF, NI
4	105-1120-03	1	Arm-Spring
5	3231-25	14	Bolt-CARR
6	66-4270	2	Spring-Extension
7	105-1020-03	1	LH Guard Bracket ASM
8	105-1069	2	Shield-Side
9	32121-25	2	Pin-Roll
10	3-7898	4	Washer-Thrust
11	107-7581	4	Bushing-Flange, Keyed
12	105-1028-03	1	Center Guard Bracket ASM
13	105-1024	1	Shaft-Guard, Turf
14	105-1019-03	1	RH Guard Bracket ASM



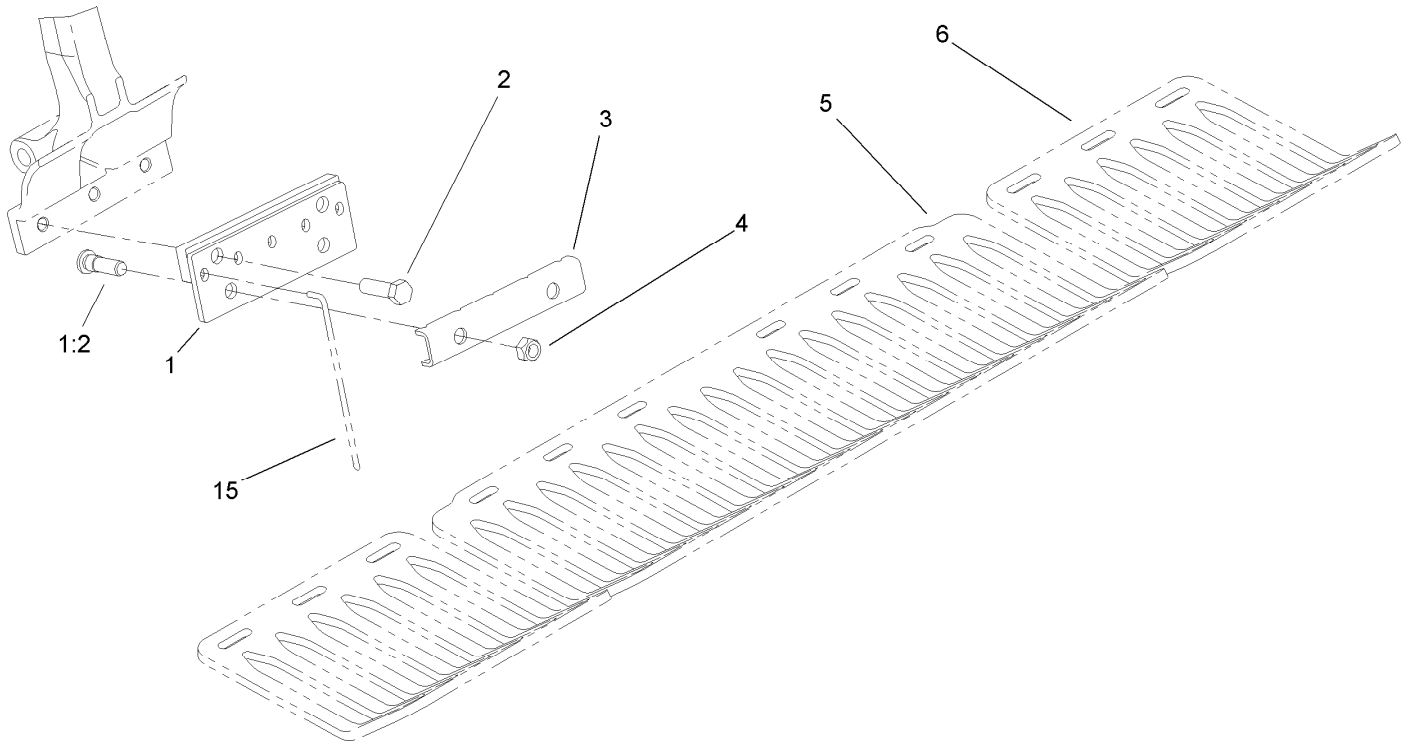
Depth Control Assembly

<i>Ref.</i>	<i>Part Number</i>	<i>Qty.</i>	<i>Description</i>
1	3234-17	3	Screw-HHF
2	105-1092-01	1	Shield-Top, Belt
3	3290-495	2	Pin-Klik
4	74-3730	10	Spacer-Spindle, Rear
5	105-3828	2	Spacer
6	32148-7	1	Nut-Clinch
7	104-8300	4	Nut-HF, NI
8	105-1004	2	Pin-Stop, Depth
9	92-3133	2	Spacer-Lever, Traction
10	2411-52	1	Bearing-Rod End, RH
11	322-7	2	Screw-HH
12	3220-2	1	Nut-Jam
13	105-1067	1	Tube-Control, Depth
14	3231-2	4	Bolt-CARR
15	106-8853	1	Decal-Control, Depth
16	104-8301	4	Nut-HF, NI
17	3220-20	1	Nut-Jam
18	2411-53	1	Bearing-Rod End, LH



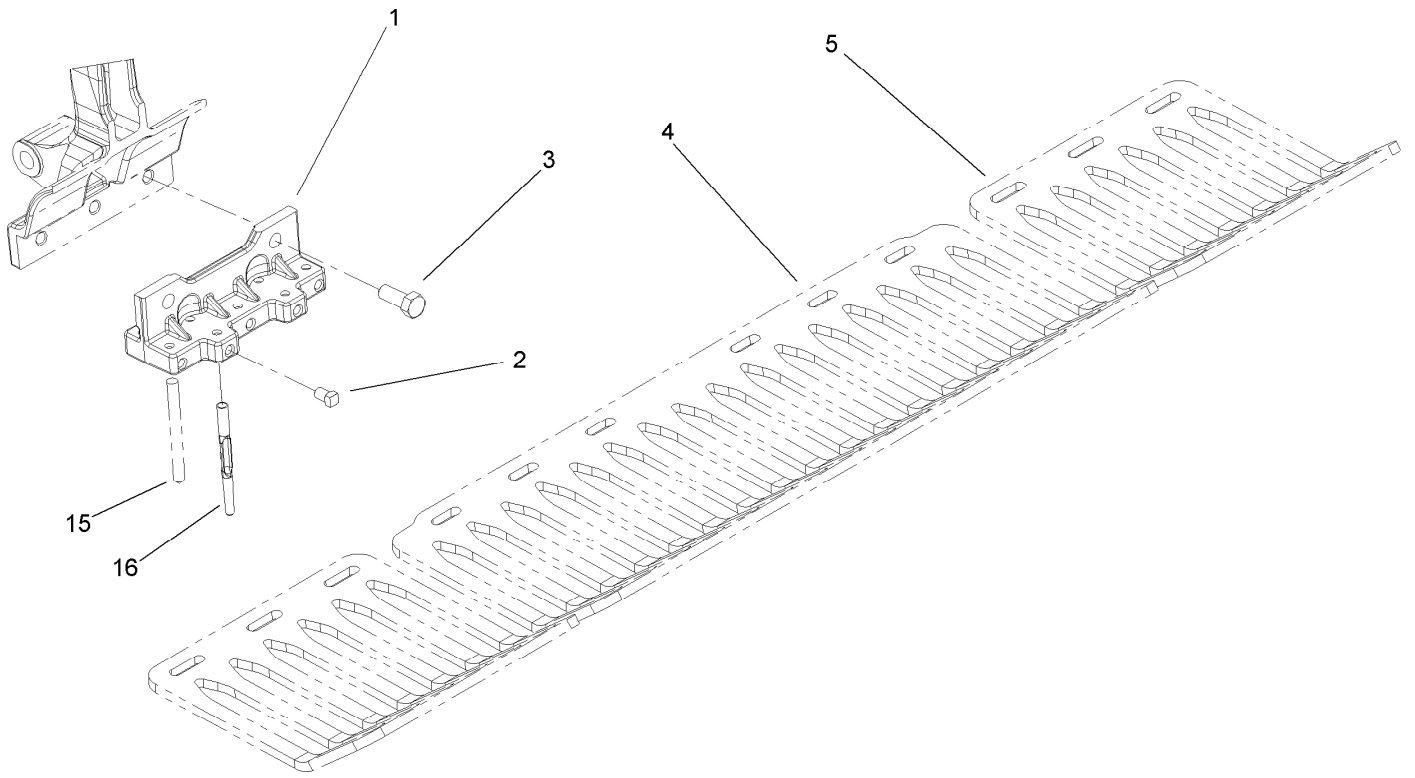
Depth Actuator Assembly

Ref.	Part Number	Qty.	Description
1	21-1880	1	Grip-Handle
2	42-3560	3	Bolt-Shoulder
3	106-8860-03	1	Arm-Control, Depth
4	3230-6	1	Bolt-CARR
5	72-4320	2	Switch-Ball
7	104-8300	1	Nut-HF, NI
8	95-1821	1	Spring-Compression
9	3256-23	1	Washer-Plain
10	322-11	1	Screw-HH
11	3256-4	1	Washer-Flat
12	66-9010	1	Spring-Compression
13	106-8865-03	1	Support-Control, Depth
14	108-2129	1	Housing-Control, Depth
15	3296-56	2	Nut-Lock, NI
16	106-8864	1	Actuator-Switch
17	106-8863	2	Spacer-Control, Depth
18	106-8871	1	Bearing-Ball
19	106-8872	1	Ring-Retaining
20	106-8861-03	1	Arm-Actuator, Switch
21	3230-33	2	Screw-CARR
22	237-33	1	O-Ring
23	95-6448	1	Spacer



Needle Tine Holder Model No. 09221 (Optional)

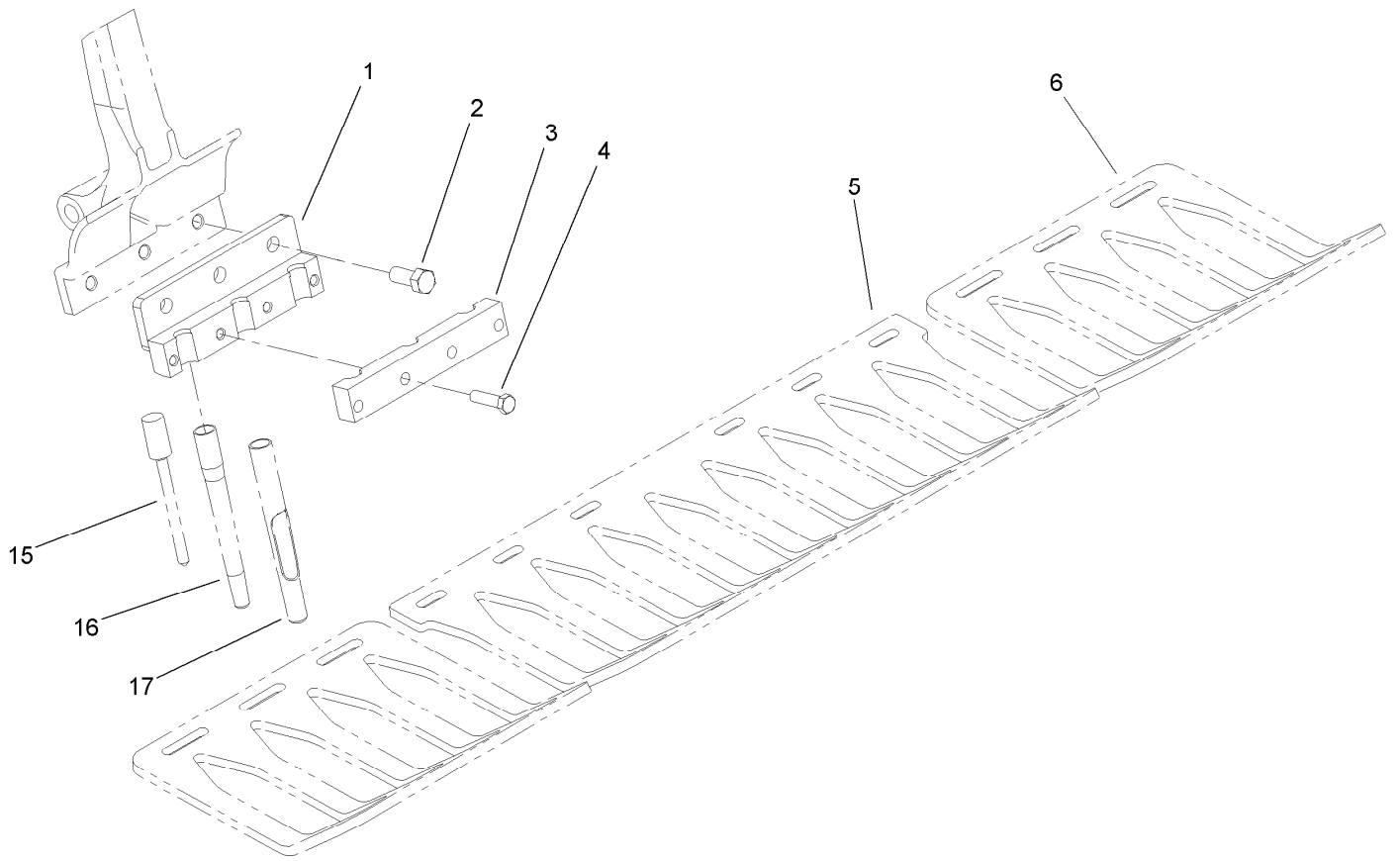
<i>Ref.</i>	<i>Part Number</i>	<i>Qty.</i>	<i>Description</i>
1	105-1099	6	Needle Tine Holder ASM
1:2	10-6830	2	Stud-Type, Drive
2	325-7	12	Screw-HH
3	105-1098-03	6	Clamp-Tine, Needle
4	3296-19	12	Nut-Hex
5	105-1111	1	Turfguard-Mini Tine, Long
6	105-1110	2	Turfguard-Mini Tine, Short
15	100-3621	30	Tine-Needle, 8Mm X 7.38
15	100-3620	30	Tine-Needle, 5Mm X 6.43



Mini Tine Holder Model No. 09222 (Optional)

<i>Ref.</i>	<i>Part Number</i>	<i>Qty.</i>	<i>Description</i>
1	105-1184	6	Tineholder
2	3243-1	60	Screw-Set
3	325-5	12	Screw-HH
4	105-1111	1	Turfguard-Mini Tine, Long ●
5	105-1110	2	Turfguard-Mini Tine, Short ●
15	100-3622	60	Tine-Solid, 3/8 X 5.00 ●
16	106-8941	60	Tine-Side Eject, 1/4 X 4.50 ●
16	94-3417	60	Tine-Side Eject, 5Mm X 4.38 ●
16	100-3625	60	Tine-Side Eject, 6Mm X 4.00 ●

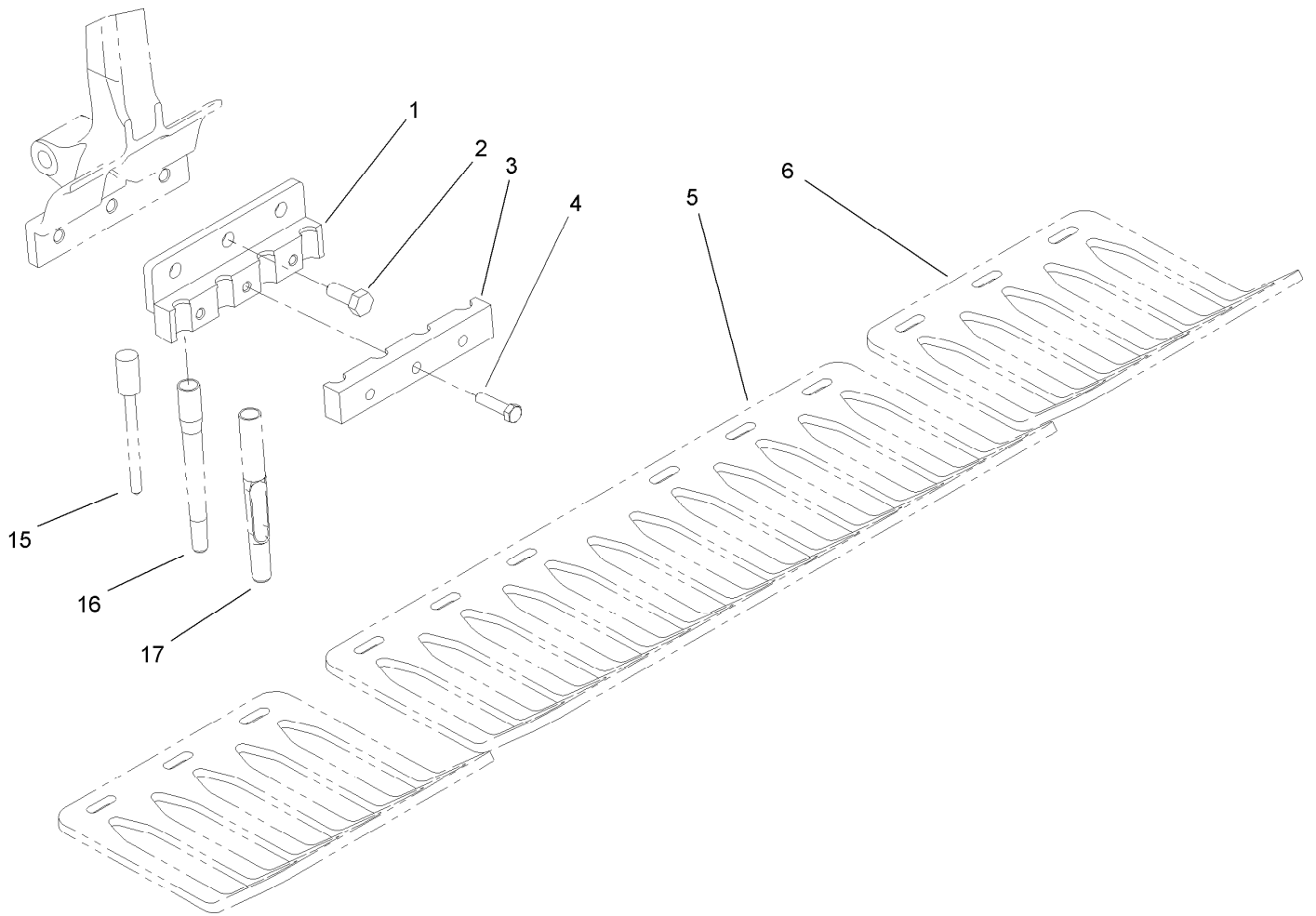
● Optional Equipment



Three Tine, 3/4in Holder Model No. 09223 (Optional)

Ref.	Part Number	Qty.	Description
1	105-1036-03	6	3 Tine Holder ASM
2	325-5	18	Screw-HH
3	105-1038-03	6	Clamp-Holder, 3 Tine
4	323-8	24	Screw-HH
5	105-1107	1	Turfguard-3 Tine, Long ●
6	105-1106	2	Turfguard-3 Tine, Short ●
15	100-3630	18	Tine-Solid, 16Mm X 6.38 ●
15	100-3626	18	Tine-Solid, 9Mm X 5.50 ●
15	100-3627	18	Tine-Solid, 10Mm X 6.38 ●
15	100-3629	18	Tine-Solid, 13Mm X 6.38 ●
15	77-5320	18	Tine-Solid, 5/16 X 3.25 ●
16	100-3633	18	Tine-Hollow, 3/8 X 4.75 ●
16	105-1180	18	Tine-Hollow, 1/2 X 6.50 ●
16	106-8943	18	Tine-Hollow, 5/8 X 6.50 ●
16	59-3670	18	Tine-Hollow, 5/8 X 4.75 ●
16	100-3634	18	Tine-Hollow, 1/2 X 5.50 ●
16	59-3690	18	Tine-Hollow, 3/8 X 4.75 ●
16	59-9770	18	Tine-Hollow, Lw 5/8 X 4.75 ●
16	66-9140	18	Tine-Hollow, 1/2 X 4.75 ●
16	104-0984	18	Tine-Hollow, 5/8 X 5.75 ●
17	104-9875	18	Tine-Side Eject, HD 3/4 X 5.75 ●
17	104-9876	18	Tine-Side Eject, HD 5/8 X 5.75 ●
17	106-8947	18	Tine-Side Eject, 1/2 X 6.50 ●
17	107-7544	18	Tine-Side Eject, 5/8 X 6.50 ●

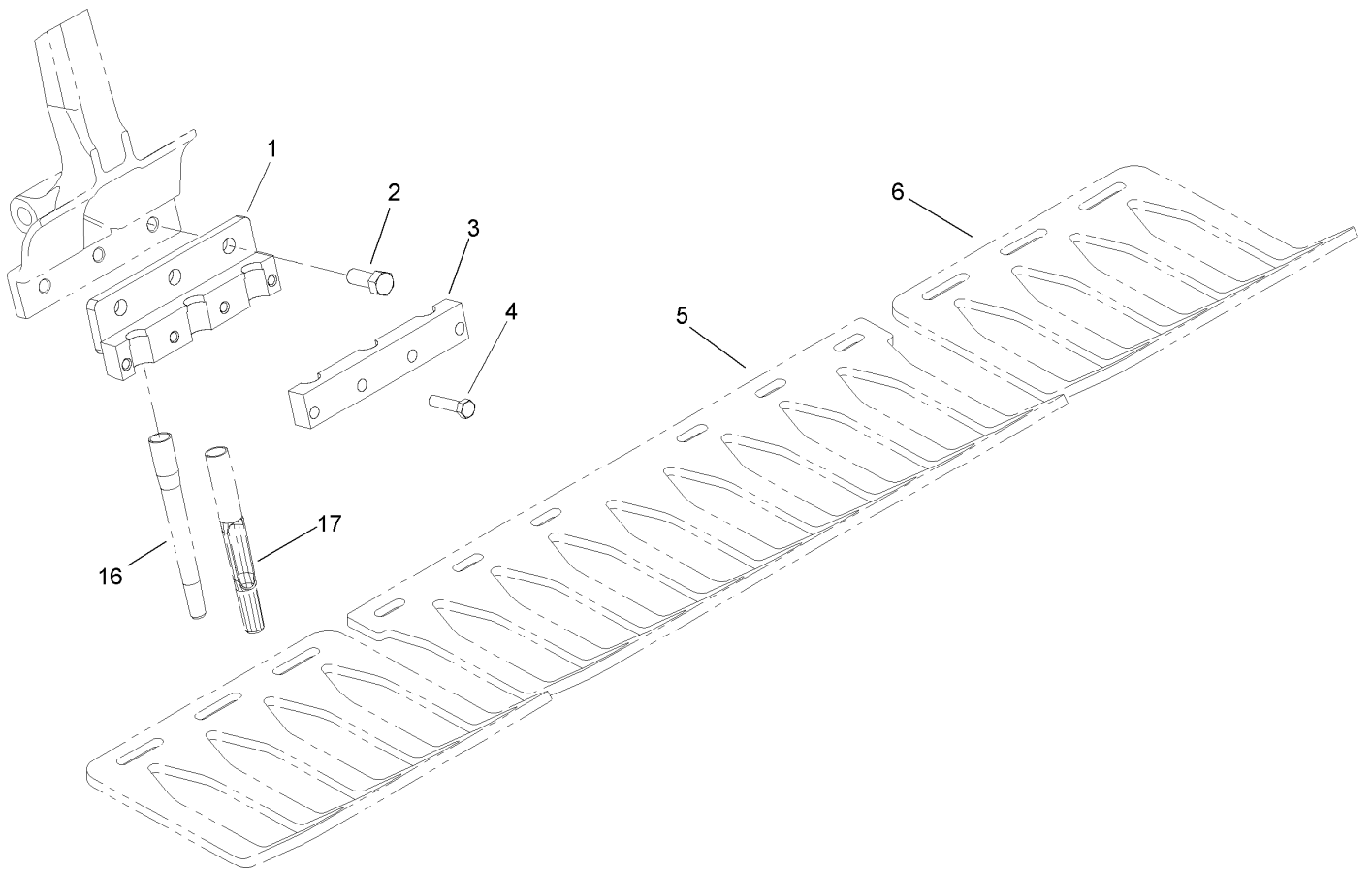
● Optional Equipment



Four Tine, 3/4in Holder Model No. 09224 (Optional)

Ref.	Part Number	Qty.	Description
1	105-1045-03	6	4 Tine Holder ASM
2	325-5	18	Screw-HH
3	105-1032-03	6	Clamp-Holder, 4 Tine
4	323-8	18	Screw-HH
5	105-1105	1	Turfguard-4 Tine, Long ●
6	105-1104	2	Turfguard-4 Tine, Short ●
15	100-3629	24	Tine-Solid, 13Mm X 6.38 ●
15	100-3627	24	Tine-Solid, 10Mm X 6.38 ●
15	100-3626	24	Tine-Solid, 9Mm X 5.50 ●
15	100-3630	24	Tine-Solid, 16Mm X 6.38 ●
15	77-5320	24	Tine-Solid, 5/16 X 3.25 ●
16	100-3634	24	Tine-Hollow, 1/2 X 5.50 ●
16	104-0984	24	Tine-Hollow, 5/8 X 5.75 ●
16	105-1180	24	Tine-Hollow, 1/2 X 6.50 ●
16	106-8943	24	Tine-Hollow, 5/8 X 6.50 ●
16	100-3633	24	Tine-Hollow, 3/8 X 4.75 ●
16	66-9140	24	Tine-Hollow, 1/2 X 4.75 ●
16	59-9770	24	Tine-Hollow, Lw 5/8 X 4.75 ●
16	59-3690	24	Tine-Hollow, 3/8 X 4.75 ●
16	59-3670	24	Tine-Hollow, 5/8 X 4.75 ●
17	104-9875	24	Tine-Side Eject, HD 3/4 X 5.75 ●
17	104-9876	24	Tine-Side Eject, HD 5/8 X 5.75 ●
17	106-8947	24	Tine-Side Eject, 1/2 X 6.50 ●
17	107-7544	24	Tine-Side Eject, 5/8 X 6.50 ●

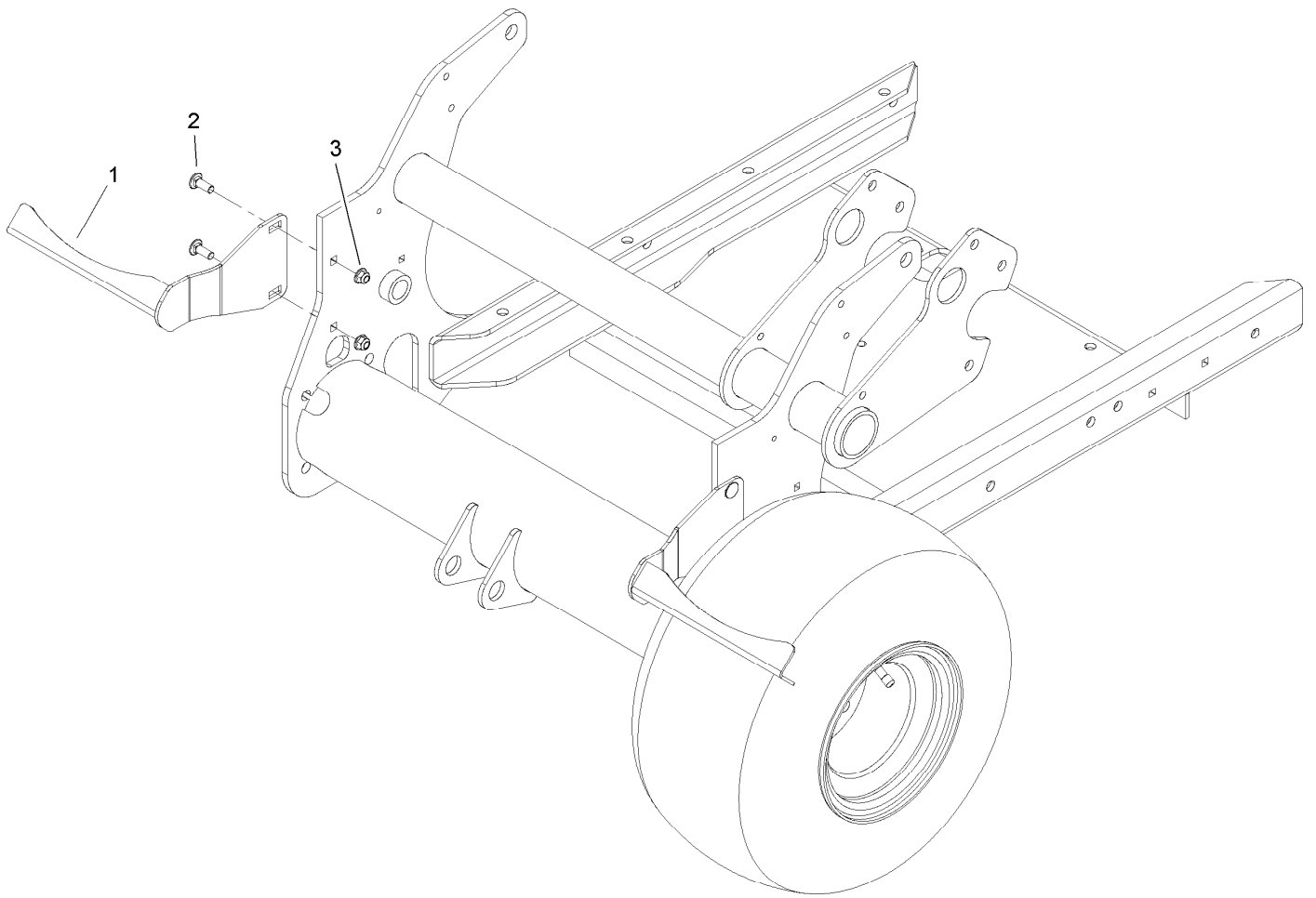
● Optional Equipment



Three Tine 7/8in Tine Holder Model No. 09226 (Optional)

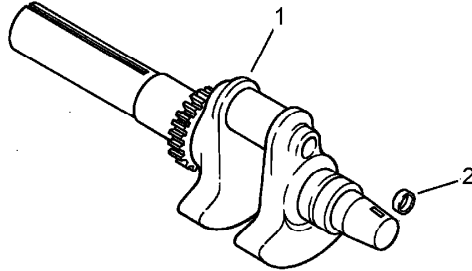
<i>Ref.</i>	<i>Part Number</i>	<i>Qty.</i>	<i>Description</i>
1	108-2122-03	6	Holder ASM
2	325-5	18	Screw-HH
3	108-2124-03	6	Clamp-Tine
4	323-8	24	Screw-HH
5	105-1107	1	Turfguard-3 Tine, Long ●
6	105-1106	1	Turfguard-3 Tine, Short ●
16	86-9720	18	Tine-Hollow, 3/4 X 5.75 ●
16	62-4600	18	Tine-Hollow, 3/4 X 4.75 ●
17	92-7900	18	Tine-Side Eject, 3/4 X 5.75 ●
17	92-7941	18	Tine-Side Eject, 3/4 X 4.75 ●
17	104-9877	18	Tine-Side Eject, 7/8 X 5.75 ●

● Optional Equipment



Tire Scraper Model No. 09225 (Optional)

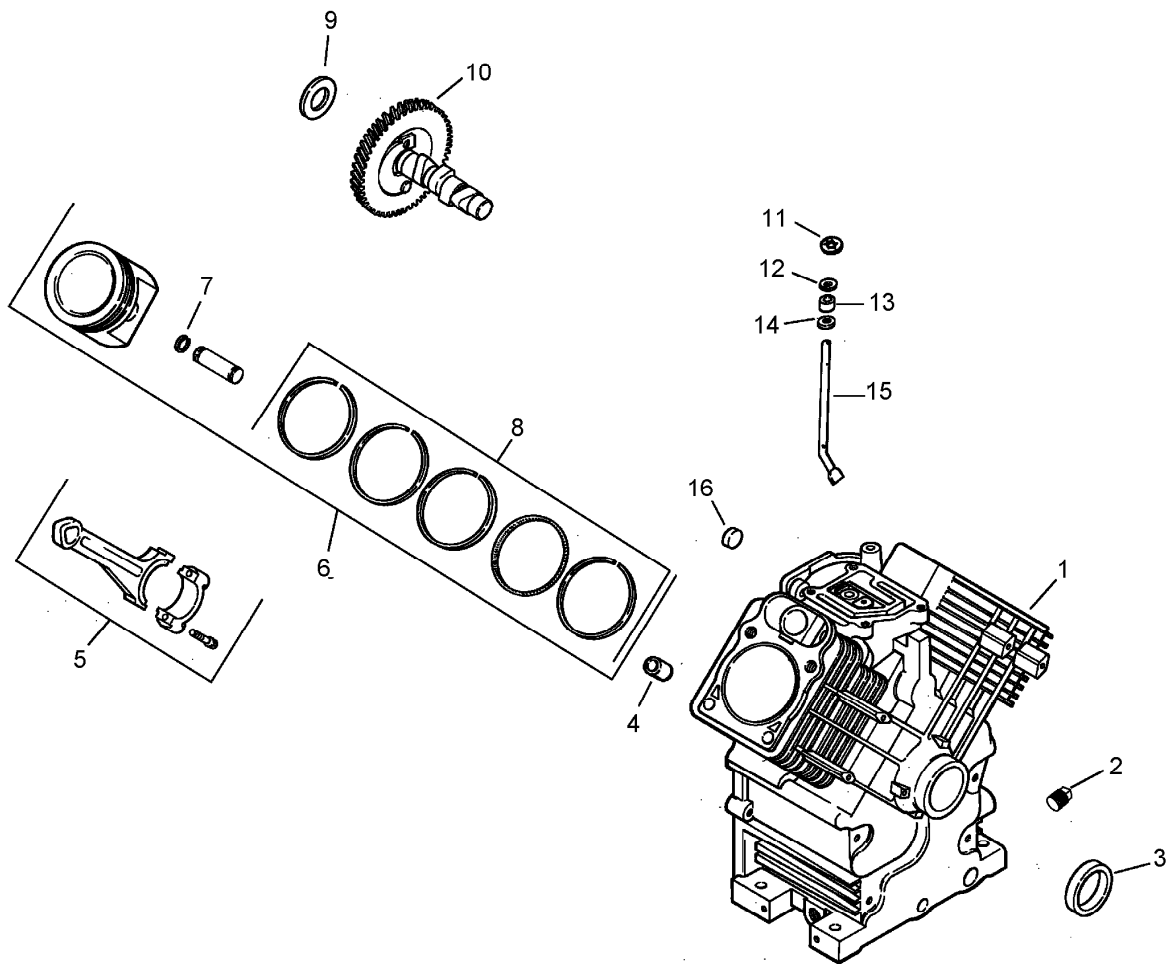
<i>Ref.</i>	<i>Part Number</i>	<i>Qty.</i>	<i>Description</i>
1	107-7531-03	2	Scraper-Wheel
2	3231-26	4	Screw-CARR
3	104-8301	4	Nut-HF, NI



Crankshaft Assembly Kohler CH23S 76585

<i>Ref.</i>	<i>Part Number</i>	<i>Qty.</i>	<i>Description</i>
1	24 014 72-S	1	Crankshaft ASM (Includes 2) ●
2	52 139 09-S	1	Plug-Cup ●

● Obtain parts from www.kohlerplus.com

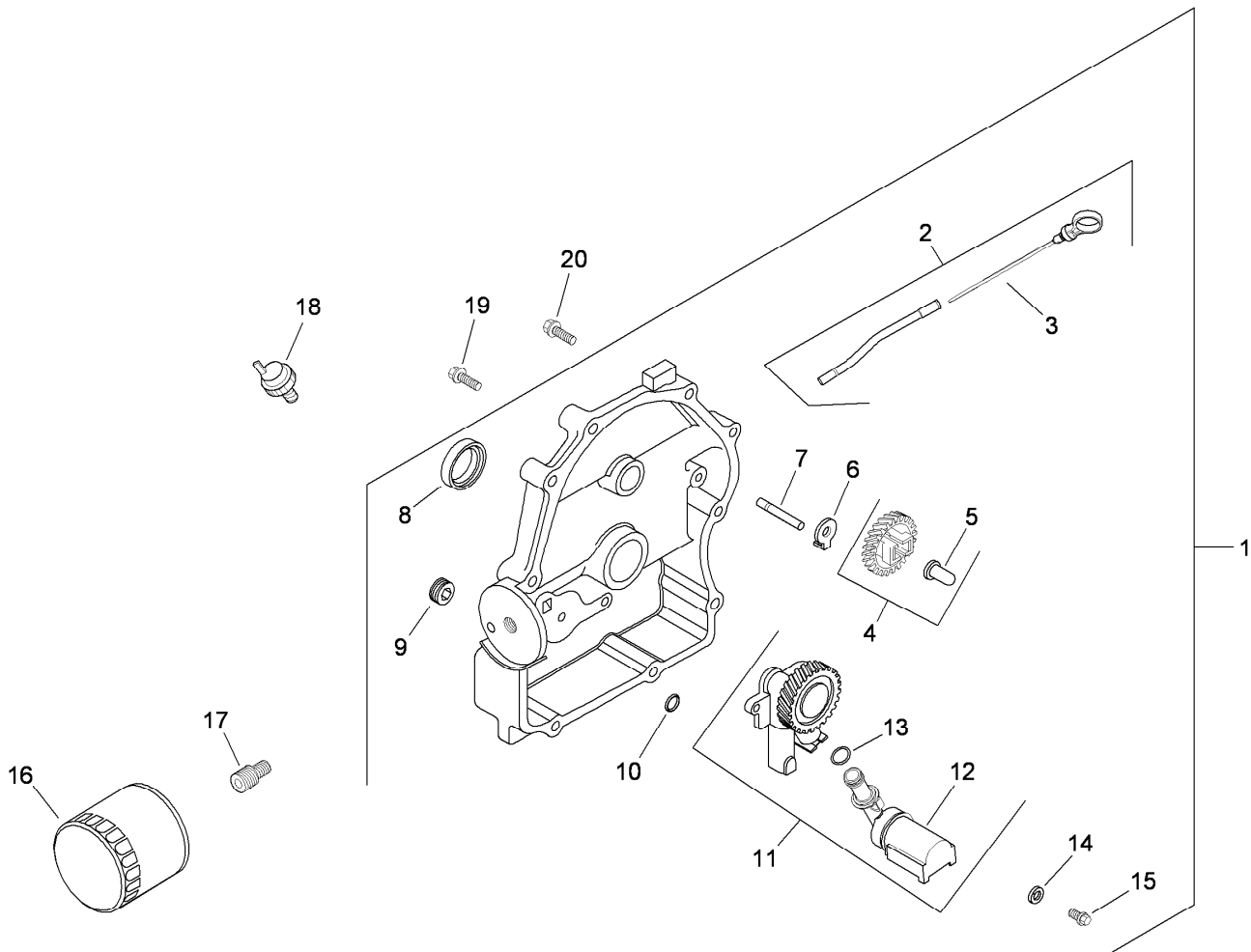


Crankcase Assembly Kohler CH23S 76585

Ref.	Part Number	Qty.	Description	Ref.	Part Number	Qty.	Description
1		1	Crankcase (Use: Short Block Or Miniblock) ●■	9	12 422 09-S	1	Shim-Camshaft (Red .032) ■
2	25 139 57-S	2	Plug-Pipe, Sq HD (3/8) ■	9	12 422 13-S	1	Shim-Camshaft (Black .04) ■
3	24 032 01-S	1	Seal-Oil ■	9	12 422 07-S	1	Shim-Camshaft (White .028) ■
4	24 380 13-S	6	Pin-Locating ■	9	12 422 08-S	1	Shim-Camshaft (Blue .03) ■
5	24 067 13-S	2	Rod-Connecting (Standard) ■	9	12 422 10-S	1	Shim-Camshaft (Yellow .034) ■
5	24 067 14-S	2	Rod-Connecting (.25) ■	9	12 422 11-S	1	Shim-Camshaft (Green .036) ■
6	24 874 09-S	2	Piston W/Ring Set (Std.) (Includes 7, 8) ■	9	12 422 12-S	1	Shim-Camshaft (Gray .038) ■
6	24 874 15-S	2	Piston W/Ring Set (.08) (Includes 7, 8) ■	10	24 012 10-S	1	Camshaft Kit ■
6	24 874 10-S	2	Piston W/Ring Set (.25) (Includes 7, 8) ■	11	24 018 09-S	1	Retainer-Ring ■
6	24 874 11-S	2	Piston W/Ring Set (.50) (Includes 7, 8) ■	12	M-931010-S	1	Washer-Flat (9Mm) ■
7	24 018 01-S	4	Retainer-Pin, Piston ■	13	28 032 09-S	1	Seal-Cross Shaft, Governor ■
8	24 108 08-S	2	Ring Set (STD And .08) ■	14	24 468 15-S	1	Washer-Flat (11/32) ■
8	24 108 09-S	2	Ring Set (.25) ■	15	24 144 38-S	1	Shaft-Cross, Governor ■
8	24 108 10-S	2	Ring Set (.50) ■	16	52 139 09-S	1	Plug-Cup ■

● Not serviced separately

■ Obtain parts from www.kohlerplus.com

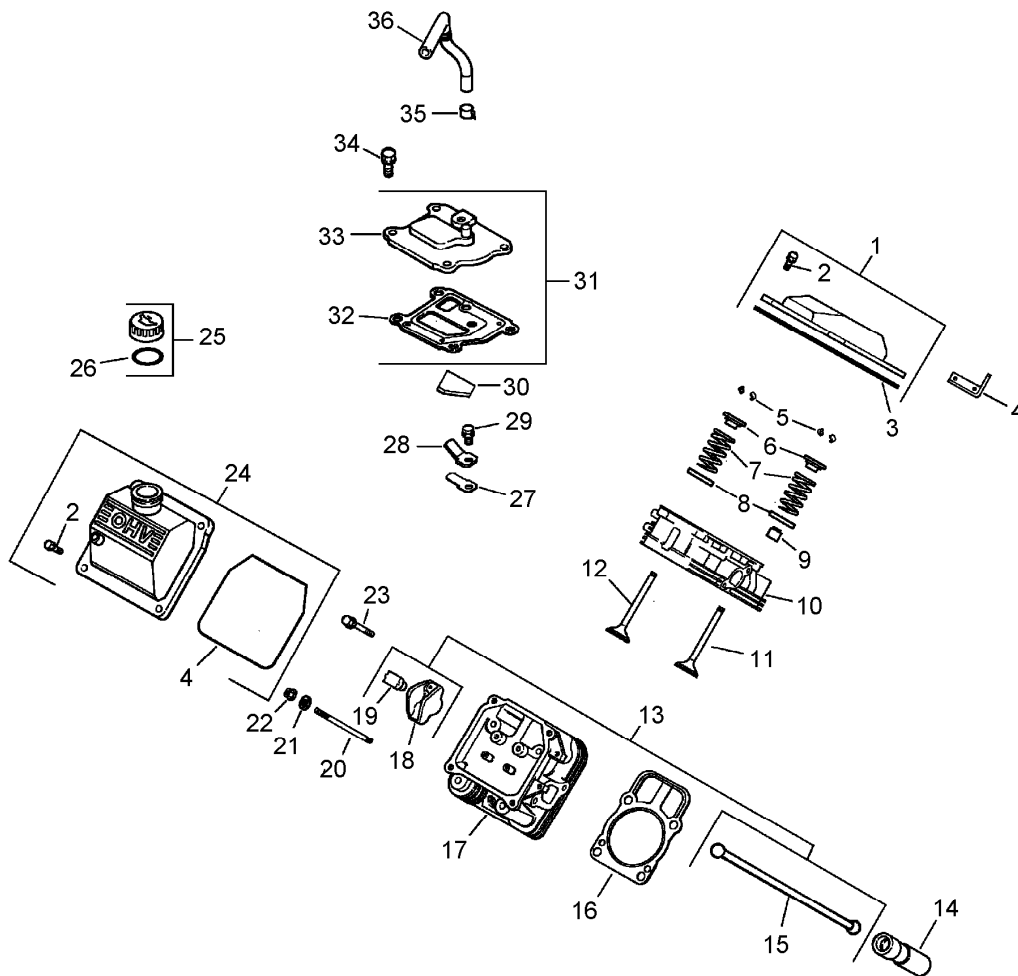


Oil Pan and Lubrication Assembly Kohler CH23S-76585

<i>Ref.</i>	<i>Part Number</i>	<i>Qty.</i>	<i>Description</i>
1	54 009 01-S	1	Closure Plate ASM (Includes 2-15) ■
2	24 755 121-S	1	Dipstick And Tube ASM (Includes 3) ■
3	24 038 10-S	1	Dipstick ■
4	24 043 12-S	1	Governor Gear ASM (Includes 5) ■
5	12 380 01-S	1	Pin-Regulating, Governor ■
6	24 448 02-S	1	Tab-Locking ■
7	12 144 02-S	1	Shaft-Gear, Governor ■
8	52 032 08-S	1	Seal-Oil (P-T-O End) ■
9	25 139 60-S	1	Plug-Pipe, Countersunk (1/8) ■
10	24 153 08-S	1	O-Ring ■
11	24 393 37-S	1	Oil Pump ASM (Includes 12, 13) ■
12	24 381 04-S	1	Tube-Pick Up, Oil ■
13	24 153 01-S	1	O-Ring ■
14	M-631005-S	2	Washer-Flat (6 Mm) ■
15	M-645025-S	2	Screw-Flange, Thread Forming (M6X1.0X25) ■
16	12 050 01-S	1	Filter-Oil ■
17	24 136 01-S	1	Nipple-Filter, Oil ■
18	25 099 24-S	1	Switch-Pressure ■
19	24 086 16-S	9	Screw-HF (M8X1.25X45) ■
20	24 086 17-S	1	Screw-Flange (M8X1.25X45) ■
	25 113 05-S	1	Decal-Sentry, Oil ● ■

● Not illustrated

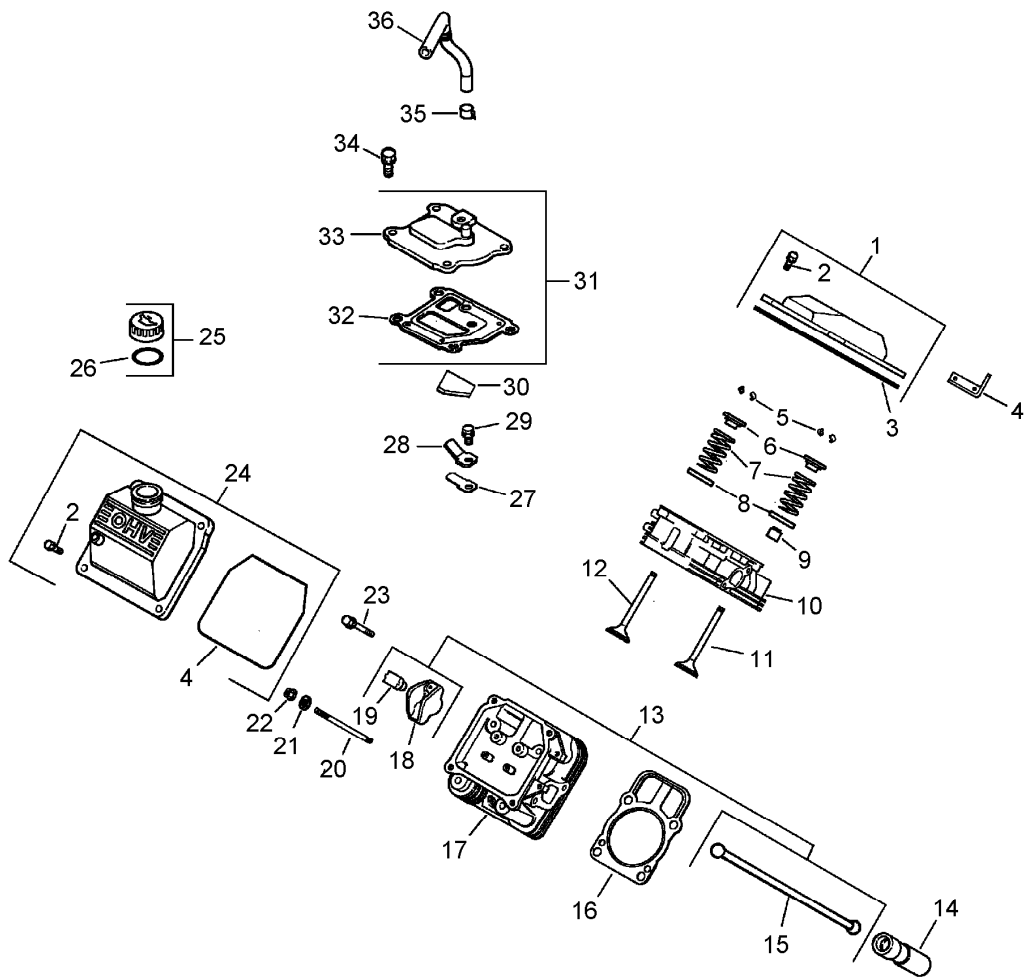
■ Obtain parts from www.kohlerplus.com



Head / Valve / Breather Assembly Kohler CH23S 76585

Ref.	Part Number	Qty.	Description	Ref.	Part Number	Qty.	Description
1	24 755 141-S	1	Plain Valve Cover Kit (Includes 2-3) ●	18	25 186 01-S	4	Arm-Rocker ●
2	M-651030-S	4	Screw-Flange (M6X1.0X30) ●	19	24 599 01-S	4	Pivot-Arm, Rocker ●
3	24 153 28-S	1	O-Ring ●	20	24 072 09-S	8	Stud (M8X1.25Xm10X1.5X105Mm) ●
4	24 445 01-S	1	Strap-Lifting ●	21	24 468 16-S	8	Washer-Flat (8.6 Mm) ●
5	12 755 03-S	4	Retainer Kit ●	22	24 100 10-S	8	Nut-Flange (M8X1.25) ●
6	12 173 01-S	4	Cap-Spring, Valve ●	23	66 086 07-S	4	Screw ●
7	24 089 02-S	4	Spring-Valve ●	24	24 755 140-S	1	Oil Fill Valve Cover Kit (Includes 2-3) ●
8	235011-S	4	Retainer-Spring ●	25	25 755 13-S	1	Oil Fill Cap Kit (Includes 26) ●
9	66 032 05-S	2	Seal-Stem, Valve ●	26	25 153 02-S	1	O-Ring ●
10	24 318 68-S	1	No. 1 Cylinder Head ASM ●	27	24 402 03-S	1	Reed-Breather ●
11	24 017 01-S	2	Valve-Intake (STD) ●	28	66 018 04-S	1	Retainer-Reed ●
11	24 017 02-S	2	Valve-Intake (.25) ●	29	M-545010-S	1	Screw-HHFTF (M5X.80X10) ●
12	24 016 01-S	2	Valve-Exhaust (STD) ●	30	24 050 01-S	1	Filter-Breather ●
12	24 016 02-S	2	Valve-Exhaust (.25) ●	31	24 033 01-S	1	Breather Kit (Includes 32-33) ●
13	24 755 66-S	1	Valve Train Kit (Includes 15, 18-19) ●	32	24 041 51-S	1	Gasket-Breather ●
14	25 351 01-S	4	Lifter-Valve ●	33	24 096 86-S	1	Cover-Breather ●
15	24 411 05-S	4	Rod-Push ●				
16	24 841 02-S	2	Cylinder Head Gasket Kit (Includes 21-22) ●				
17	24 318 71-S	1	No. 2 Cylinder Head ASM ●				

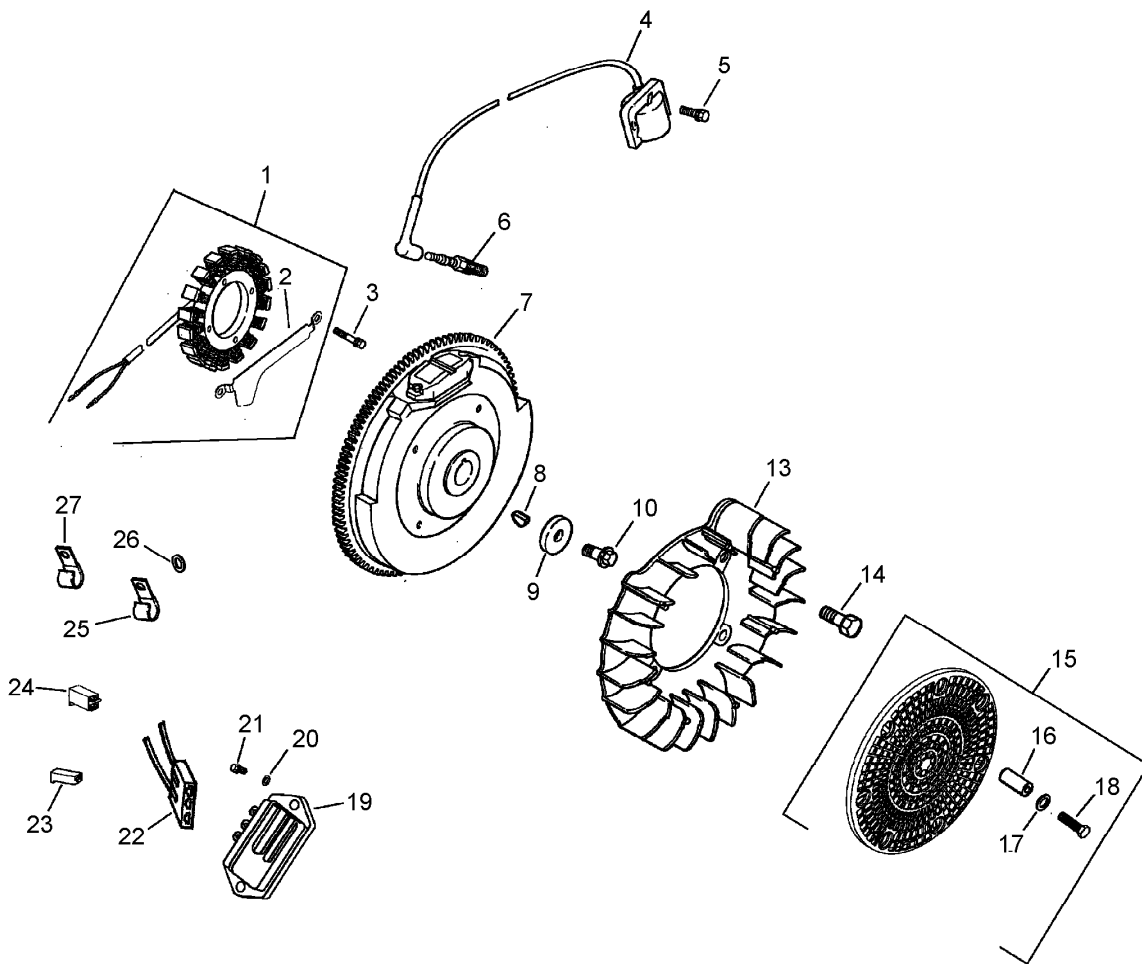
● Obtain parts from www.kohlerplus.com



Head / Valve / Breather Assembly Kohler CH23S 76585 (continued)

Ref.	Part Number	Qty.	Description	Ref.	Part Number	Qty.	Description
34	M-645020-S	4	Screw-HHFTF (M6X1.0X20)	35	25 237 14-S	1	Clamp-Hose, Spring (1/2) ●
			●	36	24 326 26-S	1	Hose-Breather ●

● Obtain parts from www.kohlerplus.com

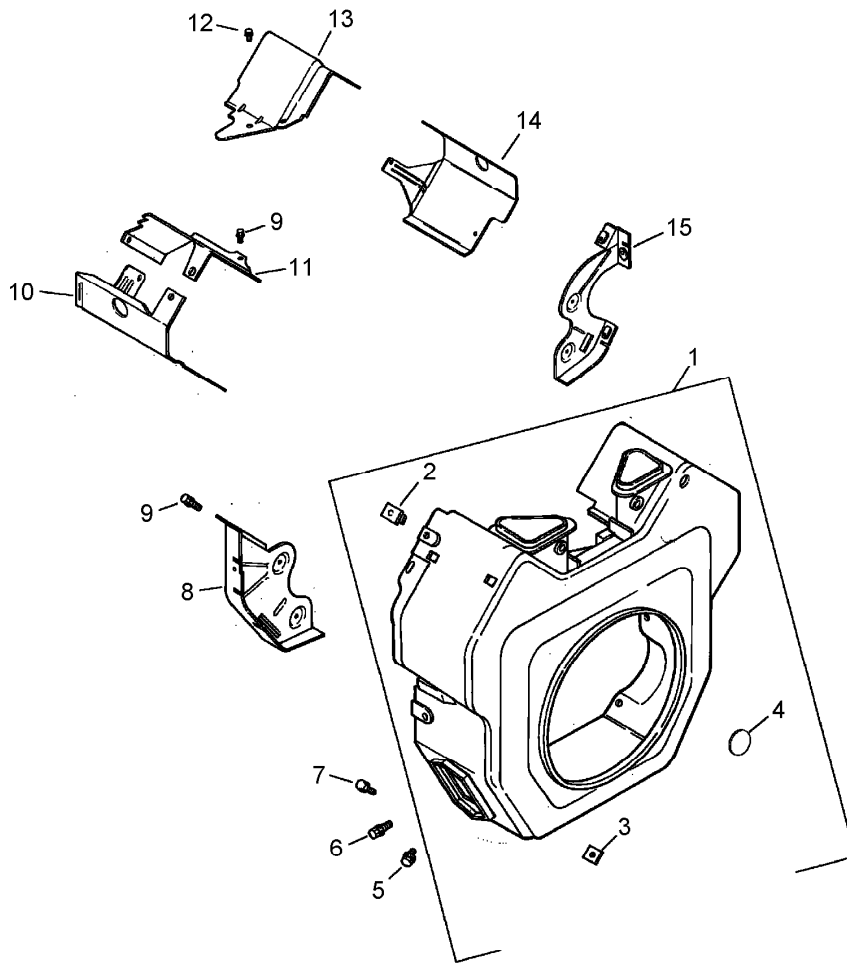


Ignition / Electrical Assembly Kohler CH23S 76585

Ref.	Part Number	Qty.	Description	Ref.	Part Number	Qty.	Description
1	54 755 09-S	1	15 Amp Stator Kit (Includes 2) ■	17	X-25-92-S	4	Washer-Flat (.188) ■
2	24 126 71-S	1	Bracket-Wire, Stator ■	18	M-403025-S	4	Screw-Slotted Head (M4X0.7X25) ■
3	M-548025-S	2	Screw-Thread Forming (M5X0.8X25) ■	19	41 403 09-S	1	Rectifier-Regulator ■
4	24 584 01-S	2	Module-Ignition ■	20	X-25-92-S	3	Washer-Flat (.188) ■
5	M-545020-S	4	Screw-Flange, Thread Forming (M5X.8X20) ■	21	24 086 18-S	2	Screw-Phl HD (11-16X.88) ■
6	25 132 12-S	2	Spark Plug (Pro Series) ■	22	277563-S	1	Connector (1 Contact) ■
7	24 025 01-S	1	Flywheel ■	23	41 155 03-S	1	Connector ■
8	X-42-15-S	1	Key (3/16 X 5/8) ■	24	235173-S	1	Clip-Cable ■
9	12 468 03-S	1	Washer-Flat (13/32) ■	25	X-25-63-S	1	Washer-Flat (1/4) ■
10	12 086 14-S	1	Screw-Flange (M10X1.5X45) ■	26	48 154 02-S	1	Clip-Cable ■
13	24 157 07-S	1	Fan ■	24 126 37-S	1	Bracket-Strap, Ground ● ■	
14	25 086 47-S	4	Bolt-Shoulder (M6X1.0X16) ■	25 086 91-S	2	Screw-Wsh HD Tap (8-18X.50) ● ■	
15	54 755 15-S	1	Grass Screen Kit (Includes 16-18 & 24 113 18-S) ■	24 176 08-S	1	Harness-Wiring ● ■	
16	24 112 04-S	4	Spacer ■	24 176 49-S	1	Harness-Wiring (Includes 18-19) ● ■	
				25 454 03-S	2	Tie-Wire ● ■	
				24 113 18-S	1	Decal-Screen, Grass ● ■	

● Not illustrated

■ Obtain parts from www.kohlerplus.com

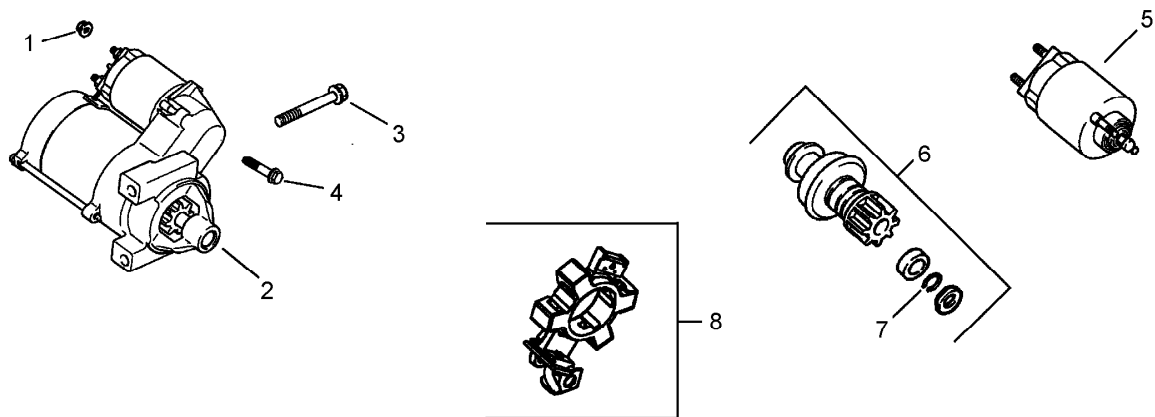


Blower Housing and Baffle Assembly Kohler CH23S 76585

<i>Ref.</i>	<i>Part Number</i>	<i>Qty.</i>	<i>Description</i>
1	24 027 175-S	1	Blower Housing ASM (Includes 2-4) ■
2	24 100 01-S	3	Nut-Plastic ■
3	24 100 02-S	2	Nut-Plastic ■
4	25 139 16-S	1	Plug-Button (9/16) ■
5	M-551016-S	1	Screw-Hex Flange, Heavy (M5X0.8X16) ■
6	M-545016-S	3	Screw-Flange, Thread Forming (M5X0.8X16) ■
7	M-545020-S	4	Screw-Flange, Thread Forming (M5X.8X20) ■
8	24 146 16-S	1	Plate-Backing (No. 2 Side) ■
9	M-645016-S	6	Screw-Flange, Thread Forming (M6X1.0X16) ■
10	24 063 20-S	1	Baffle-Barrel, Cylinder (No. 2 Side) ■
11	24 063 17-S	1	Baffle-Valley (No. 2 Side) ■
12	M-545010-S	2	Screw-HHFTF (M5X.80X10) ■
13	24 063 59-S	1	Baffle-Valley (No. 1 Side) ■
14	24 063 58-S	1	Baffle-Barrel, Cylinder (No. 1 Side) ■
15	24 146 20-S	1	Plate-Backing (No. 1 Side) ■
	24 113 81-S	1	Decal-23 HP ●■
	25 113 39-S	1	Decal-Laminate, Clear ●■

● Not illustrated

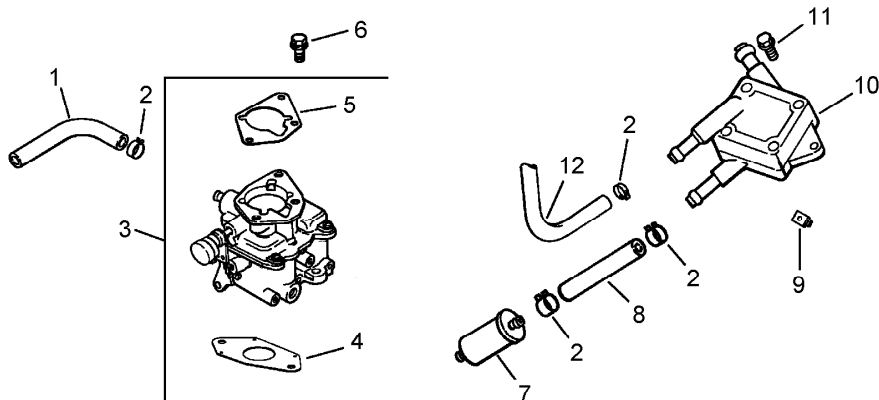
■ Obtain parts from www.kohlerplus.com



Starting System Assembly Kohler CH23S 76585

<i>Ref.</i>	<i>Part Number</i>	<i>Qty.</i>	<i>Description</i>
1	M-841080-S	1	Nut-Flange (M8X1.25) ●
2	M-839080-S	2	Screw-Flg (M8X1.25X80) ●
3	25 098 09-S	1	Starter Solenoid Shift ASM (Includes 4-8) ●
4	25 086 113-S	3	Screw-Torx Head, External ●
5	25 435 05-S	1	Solenoid Kit (Includes 4) ●
6	25 755 33-S	1	Pinion Drive Kit (Includes 7) ●
7	25 141 05-S	1	Ring-Retaining ●
8	25 221 01-S	1	Brush Holder Kit ●

● Obtain parts from www.kohlerplus.com

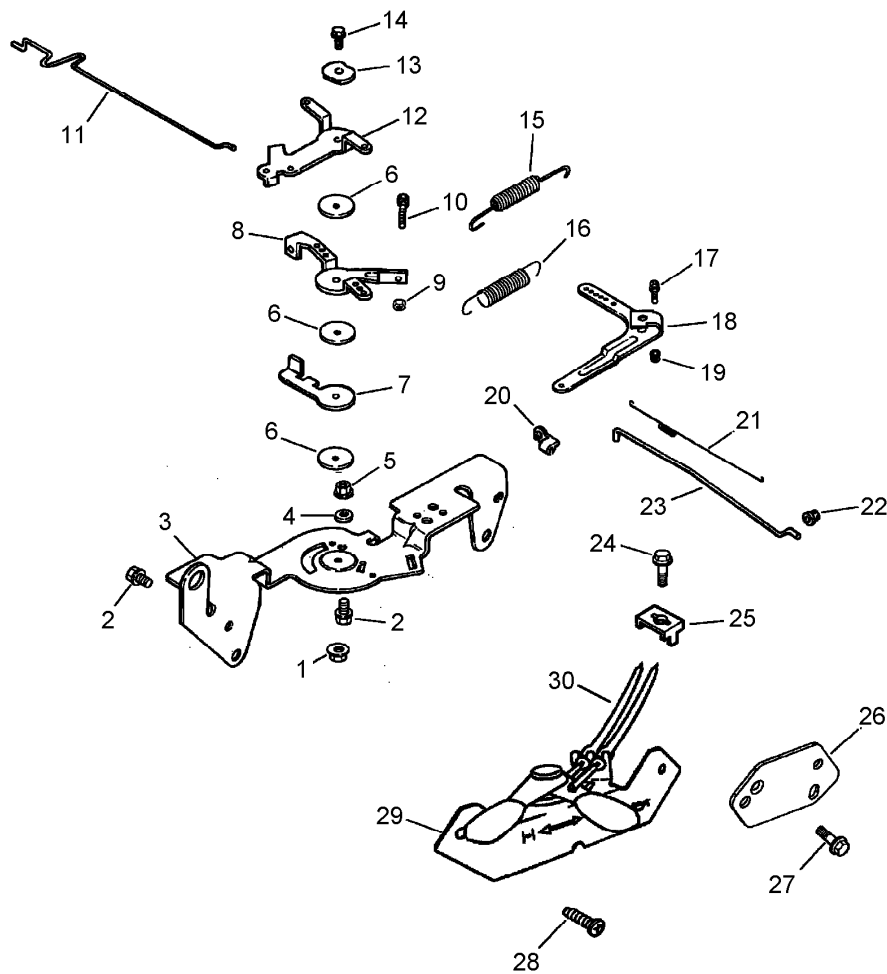


Fuel System Assembly Kohler CH23S 76585

Ref.	Part Number	Qty.	Description
1	24 353 41-S	1	Line-Fuel, 8-1/2In (Pump To Carburetor) ■
2	25 237 14-S	6	Clamp-Hose, Spring (1/2) ■
3	24 853 59-S	1	Carburetor Kit (Includes 4-5) ■
4	24 041 53-S	1	Gasket-Carburetor ■
5	24 041 06-S	1	Gasket-Base, Air Cleaner ■
6	M-651025-S	2	Screw-HF (M6X1.0X25) ■
7	24 050 05-S	1	Filter-Fuel ■
8	25 353 52-S	1	Line-Fuel, 9-1/4In (Pump To Filter) ■
9	24 100 01-S	2	Nut-Plastic ■
10	24 393 16-S	1	Pump-Fuel ■
11	24 086 12-S	2	Screw-TAP (M6X1.7X18) ■
12	24 353 02-S	1	Line-Fuel, Flexible (15.5) ■
	24 518 24-S	1	Lead-Ground ● ■
	24 757 01-S	1	Solenoid Repair Kit ● ■
	24 757 02-S	1	Float Repair Kit ● ■
	24 757 03-S	1	Carburetor Repair Kit ● ■
	24 757 07-S	1	Choke Repair Kit ● ■
	24 755 125-S	1	High Altitude Kit ● ■

● Not illustrated

■ Obtain parts from www.kohlerplus.com

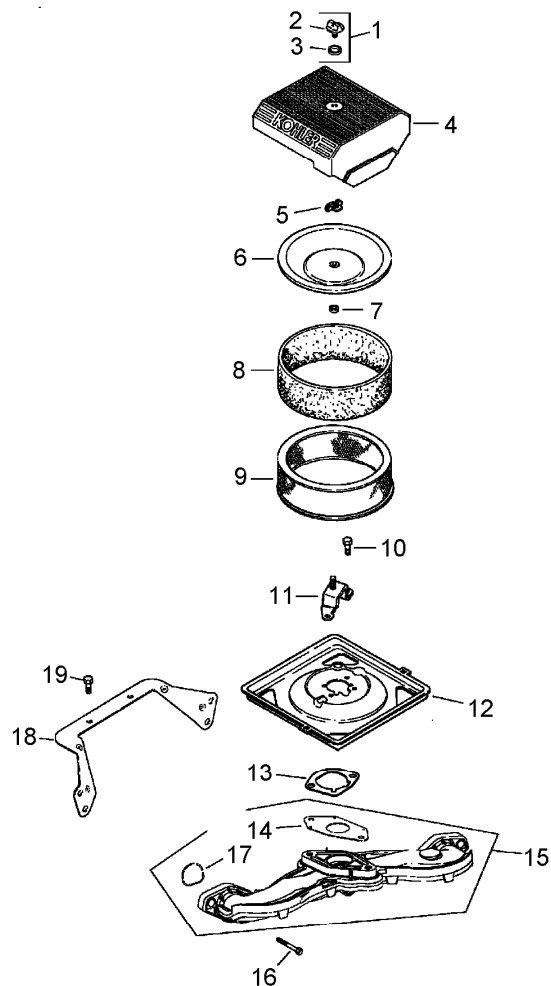


Engine Control Assembly Kohler CH23S 76585

Ref.	Part Number	Qty.	Description	Ref.	Part Number	Qty.	Description
1	M-547050-S	1	Nut-Lock (M5X.8) ■	18	24 090 33-S	1	Lever-Governor ■
2	M-645016-S	4	Screw-Flange, Thread Forming (M6X1.0X16) ■	19	M-641060-S	1	Nut-Flange (M6X1.0) ■
3	24 126 56-S	1	Bracket-Control ■	20	25 158 11-S	1	Bushing-Retaining, Linkage ■
4	X-20-1-S	1	Washer-Lock (.25) ■	21	24 089 01-S	1	Spring-Linkage ■
5	M-541050-S	1	Nut-HF (M5X0.8) ■	22	25 158 08-S	1	Bushing-Linkage, Throttle ■
6	24 468 01-S	3	Washer-Flat (5.5Mm) ■	23	24 079 01-S	1	Linkage-Throttle ■
7	24 090 07-S	1	Lever-Actuator, Throttle ■	24	24 086 43-S	1	Screw-Lbd, Thd Frm (M5X0.8X16) ■
8	24 090 13-S	1	Lever-Control, Throttle ■	25	12 237 01-S	1	Clamp-Cable ■
9	M-446030-S	1	Nut (M4X0.7) ■	26	24 126 99-S	1	Bracket-Support, Cable ■
10	M-401030-S	1	Screw (M4X0.7X30) ■	27	M-545010-S	2	Screw-HHFTF (M5X.80X10) ■
11	24 079 21-S	1	Linkage-Choke ■	28	24 086 06-S	2	Screw-PPH (11-16X3/4) ■
12	24 090 05-S	1	Lever-Choke ■	29	24 225 02-S	1	Control Cable ASM (Includes 29) ■
13	41 468 03-S	1	Washer-Spring (1/4) ■	30	24 159 01-S	1	Cable-Speed, Engine ■
14	M-545020-S	1	Screw-Flange, Thread Forming (M5X.8X20) ■		24 113 92-S	1	Decal-Panel, Control ● ■
15	24 089 51-S	1	Spring-Limiter, Throttle ■				
16	24 089 48-S	1	Spring-Governor ■				
17	24 211 03-S	1	Bolt-Sq Neck, Rd HD (M6X1.0X25) ■				

● Not illustrated

■ Obtain parts from www.kohlerplus.com

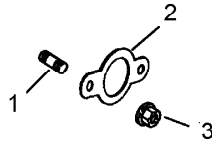


Air Intake / Filtration Assembly Kohler CH23S 76585

Ref.	Part Number	Qty.	Description
1	54 755 01-S	1	Knob Kit (Includes 2, 3) ■
2	25 341 03-S	1	Knob-Cover ■
3	24 153 20-S	1	O-Ring ■
4	24 096 67-S	1	Cover-Cleaner, Air ■
5	12 100 01-S	1	Nut-Wing ■
6	24 096 01-S	1	Cover-Air Cleaner, Inner ■
7	230046-S	1	Seal ■
8	24 083 05-S	1	Pre-Cleaner ■
9	24 083 03-S	1	Element-Filter, Air ■
10	M-645016-S	3	Screw-Flange, Thread Forming (M6X1.0X16) ■
11	24 126 141-S	1	Bracket-Base, Air Cleaner ■
12	24 094 37-S	1	Base-Cleaner, Air ■
13	24 041 06-S	1	Gasket-Base, Air Cleaner ■
14	24 041 53-S	1	Gasket-Carburetor ■
15	24 164 54-S	1	Manifold-Intake (Includes 14, 17) ■
16	M-651040-S	4	Screw-Flange (M6X1.0X40) ■
17	24 153 27-S	2	O-Ring ■
18	24 126 130-S	1	Bracket-Base, Air Cleaner ■
19	M-545010-S	2	Screw-HHFTF (M5X.80X10) ■
	28 112 01-S	1	Spacer ● ■
	M-641060-S	1	Nut-Flange (M6X1.0) ● ■

● Not illustrated

■ Obtain parts from www.kohlerplus.com



Exhaust Assembly Kohler CH23S 76585

<i>Ref.</i>	<i>Part Number</i>	<i>Qty.</i>	<i>Description</i>
1	25 072 04-S	4	Stud (M8X1.25X33) ■
2	24 041 49-S	2	Gasket-Exhaust ■
3	M-841080-S	4	Nut-Flange (M8X1.25) ■
	25 454 01-S	1	Tie-Wire ●■
	24 782 27	1	Miniblock ASM ●■
	24 755 113-S	1	Gasket Set ●■

● Not illustrated

■ Obtain parts from www.kohlerplus.com

Attachments and Accessories

For 09200 ProCore 648 Aerator

Product Name	Model/Part
Windrower Kit	09220
Needle Tine Head Kit.....	09221
Mini Tine Head Kit.....	09222
3 Tine, 3/4 Inch Mount, Head Kit.....	09223
4 Tine, 3/4 Inch Mount, Head Kit.....	09224
Tire Scraper Kit.....	09225
3 Tine, 7/8 Inch Mount, Head Kit.....	09226



Count on it.