



6in Hose Kit

E-Z Vac™ Twin Bagger, 2016 and After Grandstand® Mower

Model No. 139-7930

Installation Instructions

Installation

Loose Parts

Use the chart below to verify that all parts have been shipped.

Procedure	Description	Qty.	Use
1	No parts required	–	Prepare the machine.
2	No parts required	–	Remove the existing hose and adapter.
3	Hood adapter Bolt (5/16 x 1 inch) Nut (5/16 inch) Template	1 4 4 1	Install the hood adapter.
4	Blower transition Nut (5/16 inch) Plate Hose Hold-down strap Hose clamp	1 4 2 1 2 1	Install the blower transition and hose.

1

Preparing the Machine

No Parts Required

Procedure

1. Park the machine on a level surface.
2. Disengage the PTO, move the motion-control levers to the NEUTRAL-LOCK position, and engage the parking brake.
3. Shut off the engine, remove the key, and wait for all moving parts to stop before leaving the operating position.



2

Removing the Existing Hose and Adapter

No Parts Required

Procedure

1. Loosen the hose clamp and blower clamps and remove the hose from the blower assembly (Figure 1).

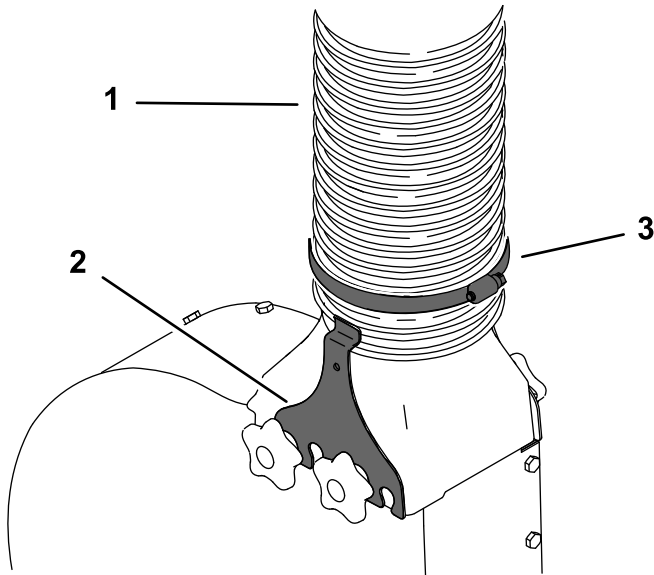


Figure 1

g185954

1. Hose
2. Blower clamp
3. Hose clamp

2. Remove the hose from the hood (Figure 2).

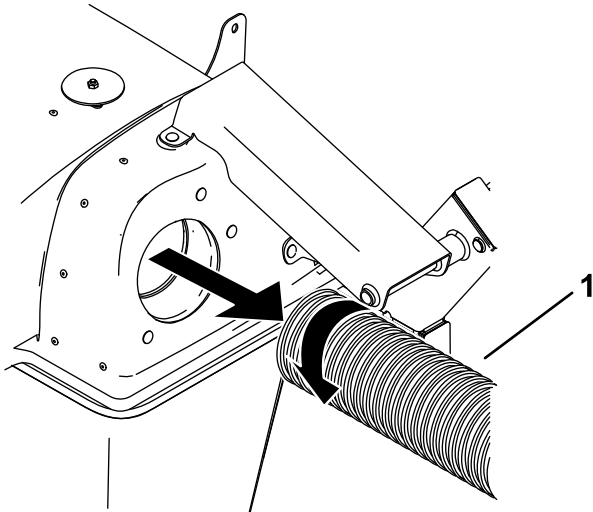


Figure 2

g287358

1. Hose

3. Remove the 4 knobs, 2 blower clamps, and blower transition from the blower assembly (Figure 3).

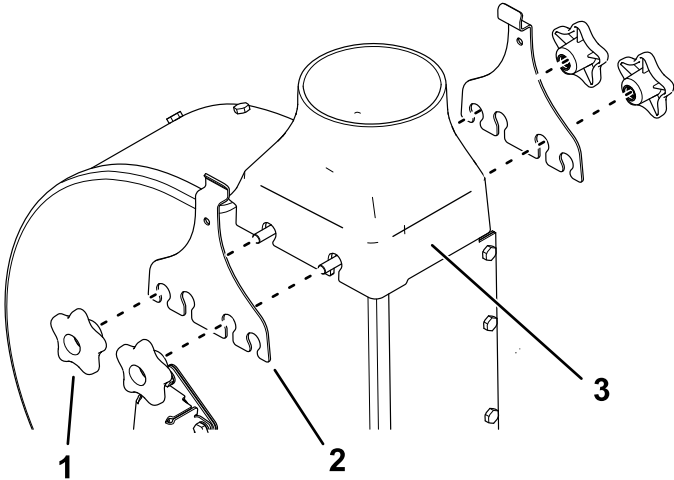


Figure 3

g287360

1. Knob (4)
2. Blower clamp (2)
3. Blower transition

- On the hood, remove the existing 4 bolts, 4 nuts, and hood adapter (Figure 4).

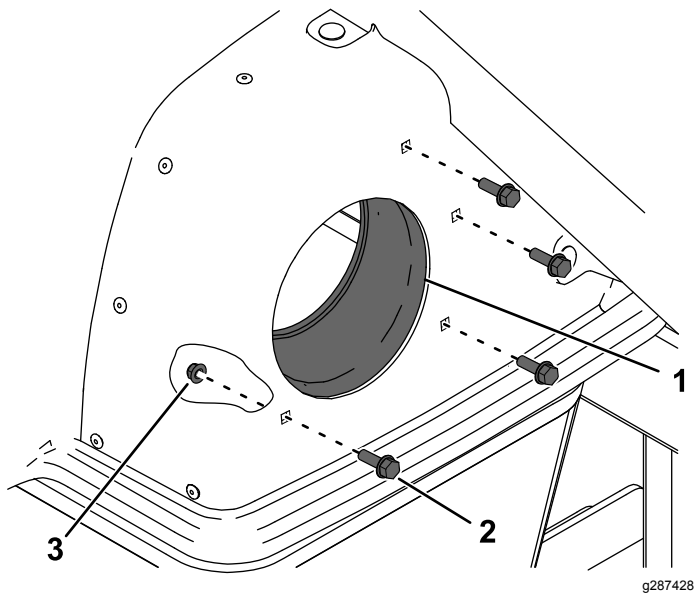


Figure 4

- Hood adapter
- Bolt (4)
- Nut (4)

- Discard the parts.

3

Installing the Hood Adapter

Parts needed for this procedure:

1	Hood adapter
4	Bolt (5/16 x 1 inch)
4	Nut (5/16 inch)
1	Template

Procedure

- Remove the bolt, washer, and nut from the pivot bracket (Figure 5).

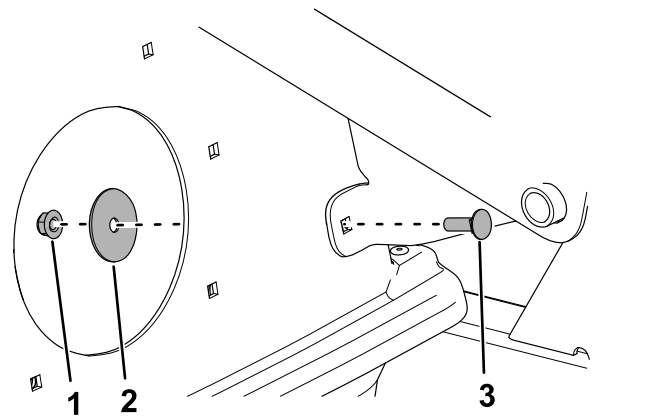


Figure 5

- Nut
- Washer
- Bolt

- Place the template on the hood, aligning the right hole with the mount hole for the pivot bracket and the bottom edge with the ledge of the hood (Figure 6).

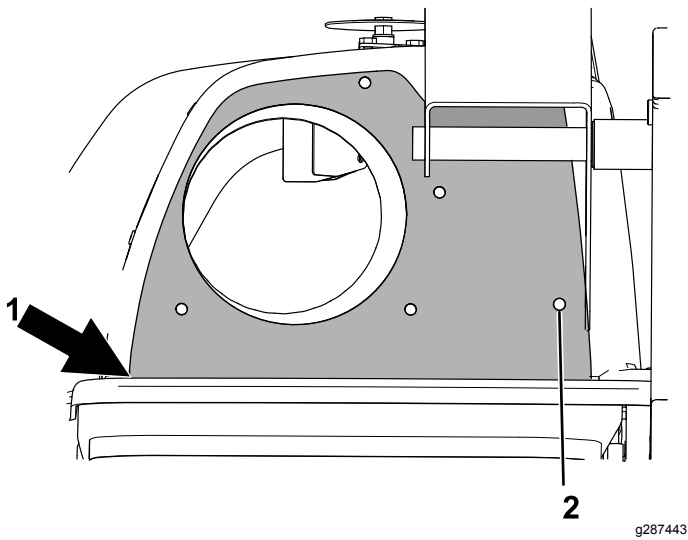


Figure 6

g287443

1. Align bottom edge with ledge
2. Align hole with mount hole.

3. Mark the other 4 holes and the larger hole.
4. Drill a hole (11/32 inch) in the 4 locations you marked.
5. Cut the larger hole using a reciprocating saw.
6. Install the new hood adapter using 4 bolts and 4 nuts in the new mounting holes (see [Figure 4](#)). Torque the bolts to 10.2 to 12.4 N·m (90 to 110 in-lb)

Important: Do not overtighten the bolts.

7. Install the pivot bracket hardware from [Figure 5](#).

4

Installing the Blower Transition and Hose

Parts needed for this procedure:

1	Blower transition
4	Nut (5/16 inch)
2	Plate
1	Hose
2	Hold-down strap
1	Hose clamp

Procedure

1. Install the new blower transition using 2 plates and 4 nuts ([Figure 7](#)).

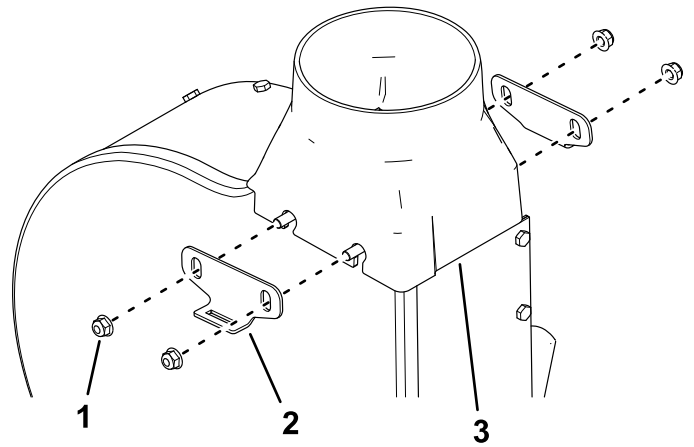


Figure 7

g287427

1. Nut (4)
2. Plate (2)
3. Blower transition

2. Install a rubber latch to each plate ([Figure 8](#)).

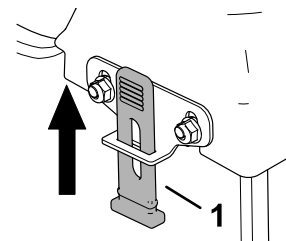


Figure 8

g287429

1. Rubber latch

3. Thread 1 end of the tube into the hood until it is secure (Figure 9).

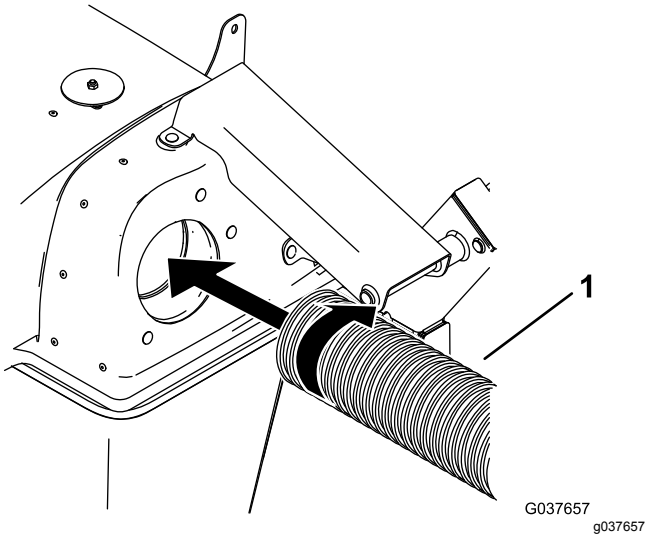


Figure 9

1. Hose

-
4. Thread the hose clamp onto the other end of the new hose 2 to 3 turns (Figure 10).

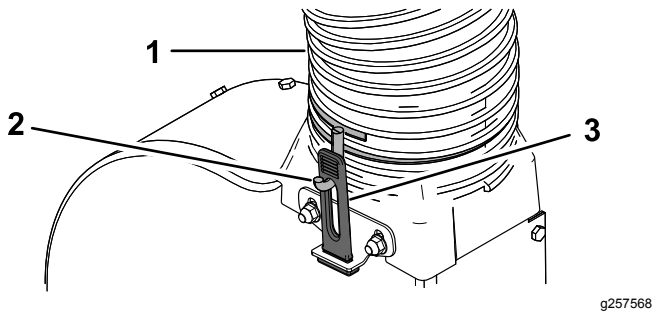


Figure 10

1. Hose
2. Hose clamp
3. Rubber latch

-
5. Install the hose over the blower transition so that the hose forms an approximately 90-degree bend from the hood. Adjust the orientation of the hose-clamp hooks as needed so that they align with the rubber latches, and secure the hose by stretching the rubber latches over the hooks (Figure 10).

Note: Ensure the rubber latches are tight. Thread the clamp further on the hose if the latches are loose.

Notes:

Notes:



Count on it.