



## Wiehle Shoulder Roller Kit (Patent Pending) For Reelmaster® 6000

Part No. 99-8675

### Parts Catalog

---

#### Ordering Replacement Parts

To order replacement parts, please supply: the part number, the quantity, and the description of each part desired.

#### Understanding Reference Numbers

Each identified part in an illustration has a reference number. The reference number for a part also appears in the parts list, along with other information about the part.

This catalog uses two special reference number formats, one to indicate parts in a service assembly and another to indicate the quantity of a given part in an illustration.

#### Service Assembly Reference Numbers

Parts in service assemblies have reference numbers in the form **a:b**. The **a** represents the reference number of the entire service assembly and the **b** represents a sequential number unique to each part within the service assembly.

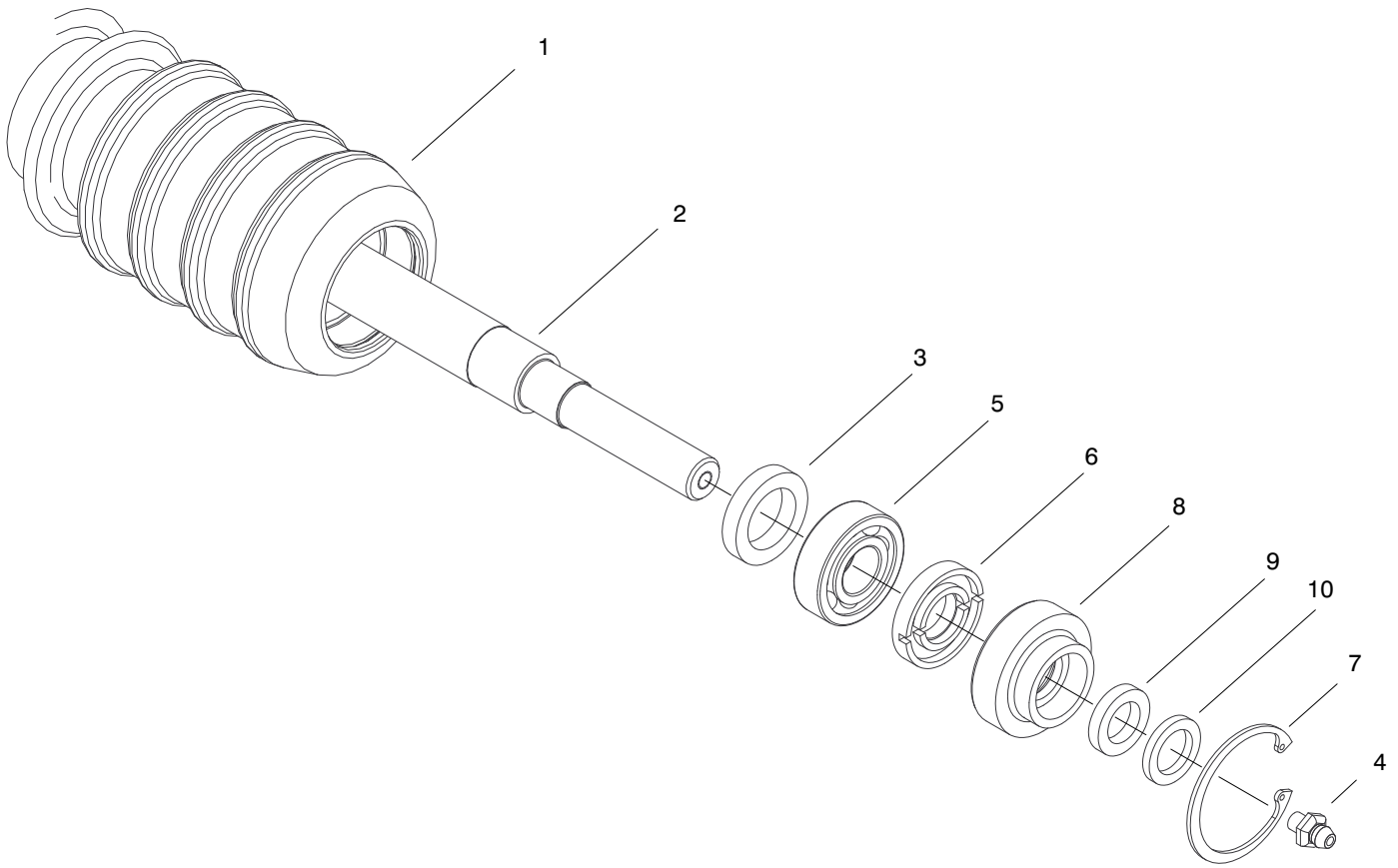
For example, a wheel assembly might be identified by reference number **6**, the tire by **6:1**, the valve by **6:2**, and the wheel by **6:3**. When you order the assembly identified by reference number **6**, you receive all parts identified by reference numbers **6:1**, **6:2**, and **6:3**. However, you may also order any part individually.

Reference numbers of this type appear in illustrations and in part lists.

#### Reference Numbers Indicating Quantity

In an illustration, if a reference number indicates more than one part, the reference number has the form **nX y**. The **n** represents the quantity of the part, the **X** is the multiplication symbol, and the **y** represents the reference number.

For example, in an illustration, the reference number **2X 37** means that two of the parts identified by reference number **37** are indicated.



Sheet No.:0  
T-3308

## Roller Assembly

Ref. No.	Part No.	Qty.	Description
1	99-8674-03	1	Shoulder Wiehle Roller Assembly
2	99-5748	1	Shaft-Roller
3	93-3007	2	Seal-Oil
4	302-5	2	Fitting-Lube
5	109966	2	Bearing-Ball
6	93-1251	2	Seal-Inner
7	32120-62	2	Ring-Retaining, Int
8	93-1252	2	Seal-Outer
9	253-70	2	Seal-Oil
10	93-2931	2	Washer-Roller

Ref. No.	Part No.	Qty.	Description