



**Count on it.**

**Parts Catalog**

**Flex-Force Power System™  
60V MAX 22in Recycler® Lawn Mower**

Model No. 20366—Serial No. 400000000 and Up

Model No. 20366T—Serial No. 400000000 and Up



# Ordering Replacement Parts

To order replacement parts, please supply the part number, the quantity, and the description of each part desired.

## Understanding Reference Numbers

Each identified part in an illustration has a reference number. The reference number for a part also appears in the parts list, along with other information about the part.

This catalog uses two special reference number formats, one to indicate parts in a service assembly and another to indicate the quantity of a given part in an illustration.

## Service Assembly Reference Numbers

Parts in service assemblies have reference numbers in the form a:b. The a represents the reference number of the entire service assembly and the b represents a sequential number unique to each part within the service assembly.

For example, a wheel assembly might be identified by reference number 6, the tire by 6:1, the valve by 6:2, and the wheel by 6:3. When you order the assembly identified by reference number 6, you receive all parts identified by reference numbers 6:1, 6:2, and 6:3. However, you may also order any part individually. Reference numbers of this type appear in illustration and in parts lists.

## Reference Numbers Indicating Quantity

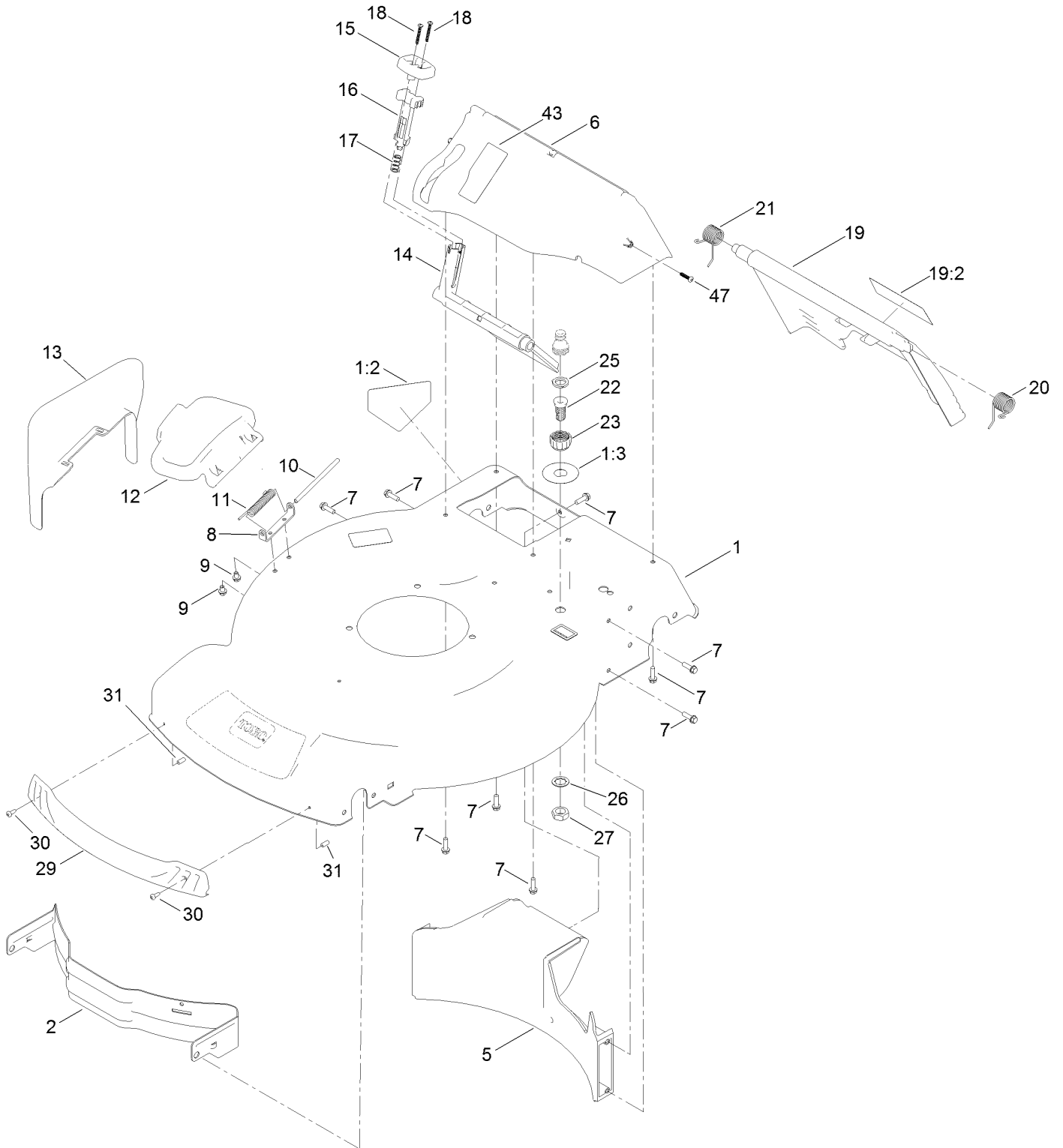
In an illustration, if a reference number indicates more than one part, the reference number has the form nX y. The n represents the quantity of the part, the X is the multiplication symbol, and the y represents the reference number.

For example, in an illustration, the reference number 2X 37 means that two of the parts identified by reference number 37 are indicated.

# Contents

Housing Assembly .....	4
Rear Bag Assembly .....	6
Motor and Blade Assembly .....	8
Motor Module Assembly No. 139-1680 Lower Shroud Assembly .....	10
Motor Module Assembly No. 139-1680 Upper Shroud Assembly .....	12
Front Wheel and Height-of-Cut Assembly .....	14
Rear Wheel and Height-of-Cut Assembly .....	16
Handle Assembly .....	18
Starter Switch Assembly .....	20
Attachments and Accessories .....	22

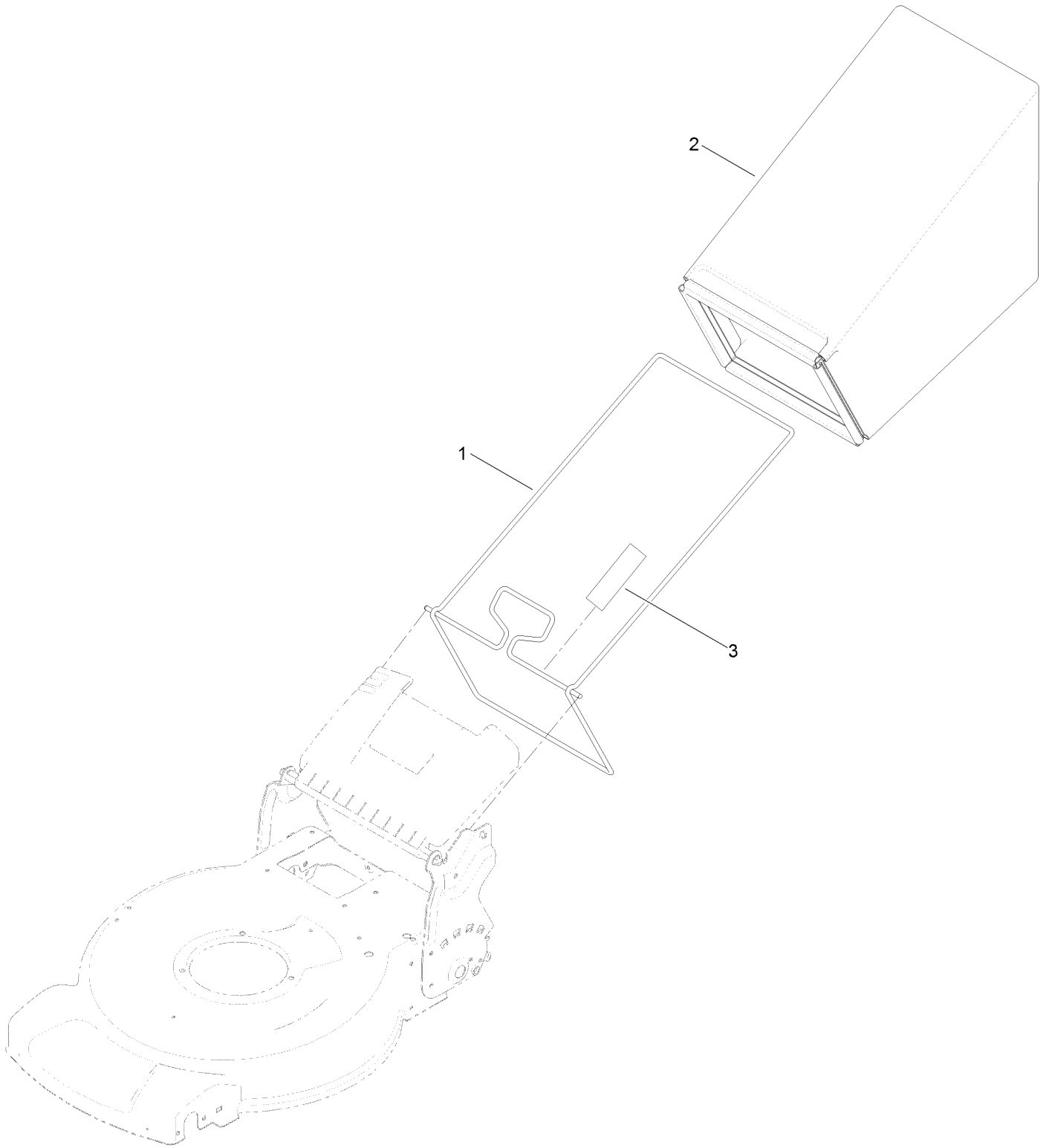
# Housing Assembly



## Housing Assembly (continued)

<i>Ref.</i>	<i>Part Number</i>	<i>Qty.</i>	<i>Description</i>	<i>Ref.</i>	<i>Part Number</i>	<i>Qty.</i>	<i>Description</i>
1	132-4510	1	Housing ASM	18	32104-120	2	Screw-PPH
1:2	94-8072	1	Decal-Danger	19	137-9139	1	Rear Door ASM
1:3	137-9196	1	Decal-Quick Wash	19:2	131-4514	1	Decal-Warning
2	114-7963-01	1	Baffle-Front	20	115-2859	1	Spring-Torsion
5	139-8982	1	Baffle-Rear	21	114-7924	1	Spring-Torsion
6	136-5882	1	Chute-Recycle	22	112-6400	1	Port-Washout
7	46-8091	9	Screw-HWH	23	112-6401	1	Coupling-Hose, Washout Port
8	112-6416	1	Bracket-Cover	25	112-6438	1	Washer-Seal, Washout Port
9	99-8445	2	Screw-HWH	26	3254-5	1	Washer-Lock
10	99-5291	1	Rod-Cover	27	3218-6	1	Nut-Jam
11	99-5293	1	Spring-Torsion	29	114-7987	1	Bumper
12	115-8449	1	Deflector-Side	30	105-6849	2	Screw-Forming, Thread
13	115-8447	1	Chute-Discharge, Side	31	130-6660	2	Cap-Plug
14	114-7960	1	Deflector-Recycle	43	125-5026	1	Decal
15	114-7958	1	Knob-Recycle	47	108-7476	2	Screw-Plastite
16	114-7959	1	Latch-Recycle				
17	117-1031	1	Spring-Compression				

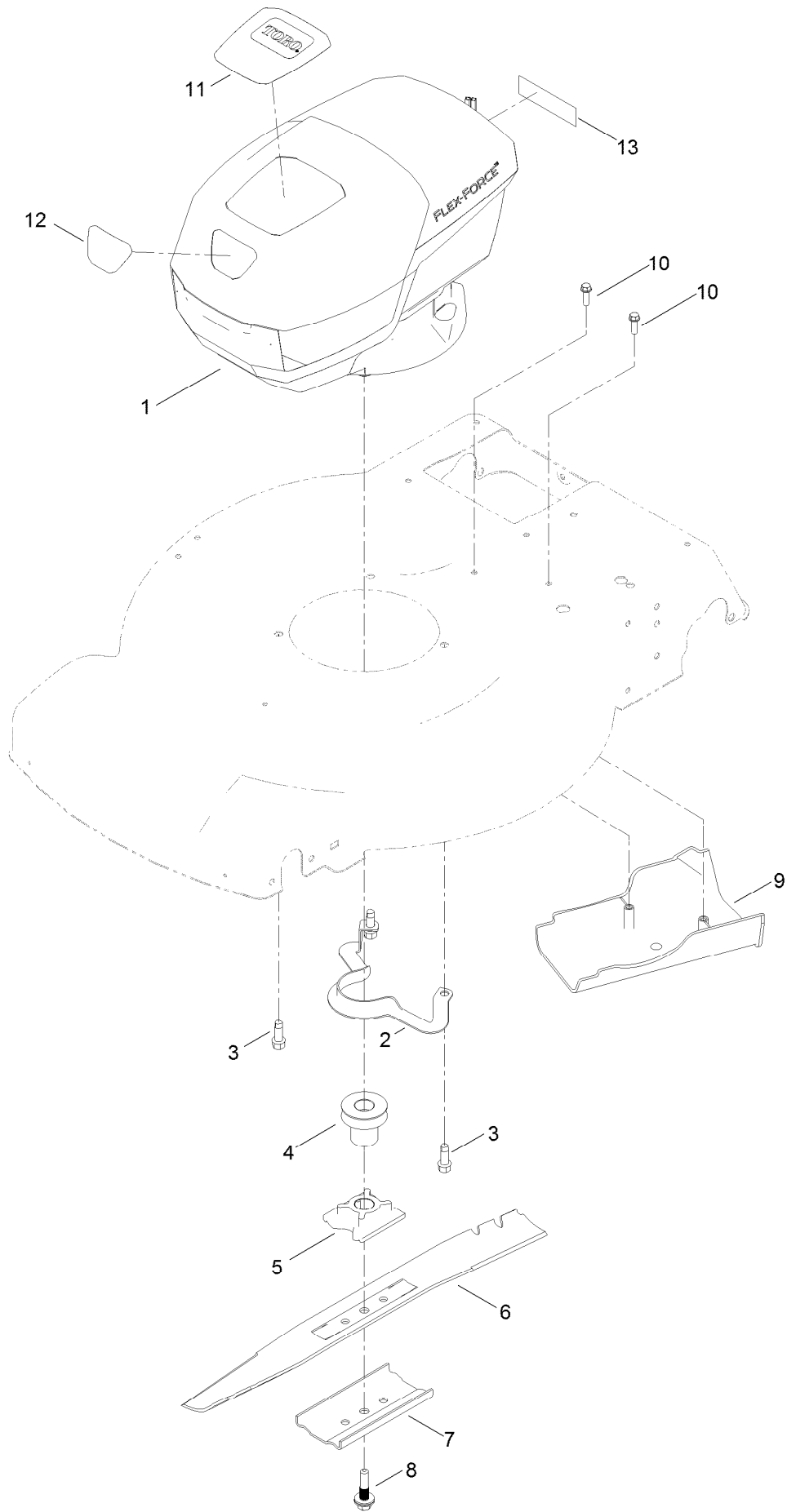
# Rear Bag Assembly



## Rear Bag Assembly (continued)

<i>Ref.</i>	<i>Part Number</i>	<i>Qty.</i>	<i>Description</i>
1	132-4529-03	1	Bag Frame ASM
2	115-4673	1	Grass Bag ASM
3	139-8986	1	Decal-Warning (Bag)

# Motor and Blade Assembly



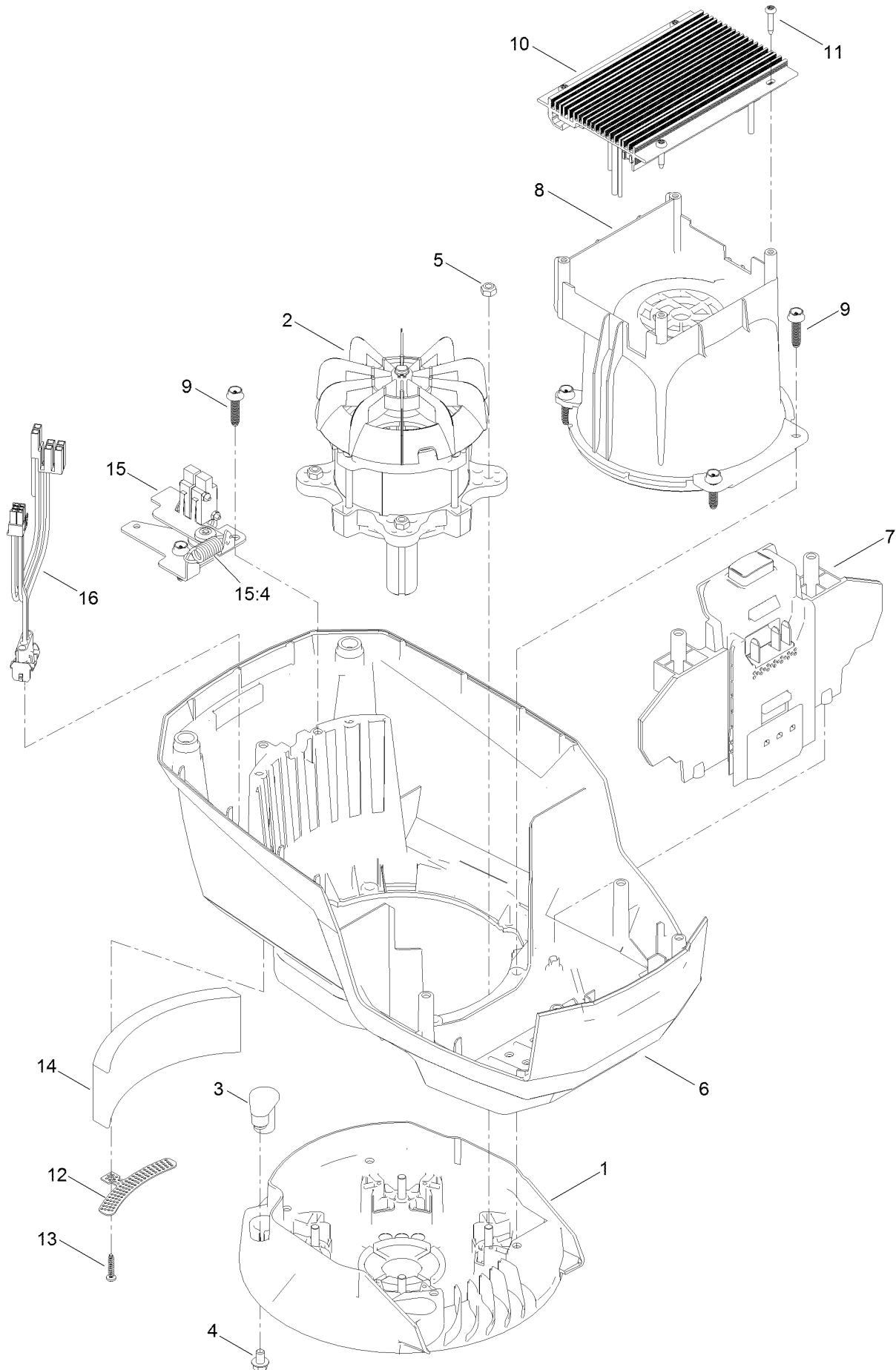


## Motor and Blade Assembly (continued)

<i>Ref.</i>	<i>Part Number</i>	<i>Qty.</i>	<i>Description</i>	<i>Ref.</i>	<i>Part Number</i>	<i>Qty.</i>	<i>Description</i>
1	139-1680	1	Motor Module (60V)	8	117-5270	1	Bolt-Blade
2	105-3030-03	1	Guide-Belt	9	114-7937	1	Cover-Belt
3	95-1726	3	Screw-Taptite	10	46-8091	2	Screw-HWH
4	139-8961	1	Pulley	11	136-9118	1	Decal-Hood, Top
5	125-2454	1	Retainer-Blade	12	136-9119	1	Decal-Hood, Front
6	131-9683-03	1	Blade	13	133-8061	1	Decal-Warning
7	108-3766-03	1	Support-Blade				

# Motor Module Assembly No. 139-1680

## Lower Shroud Assembly



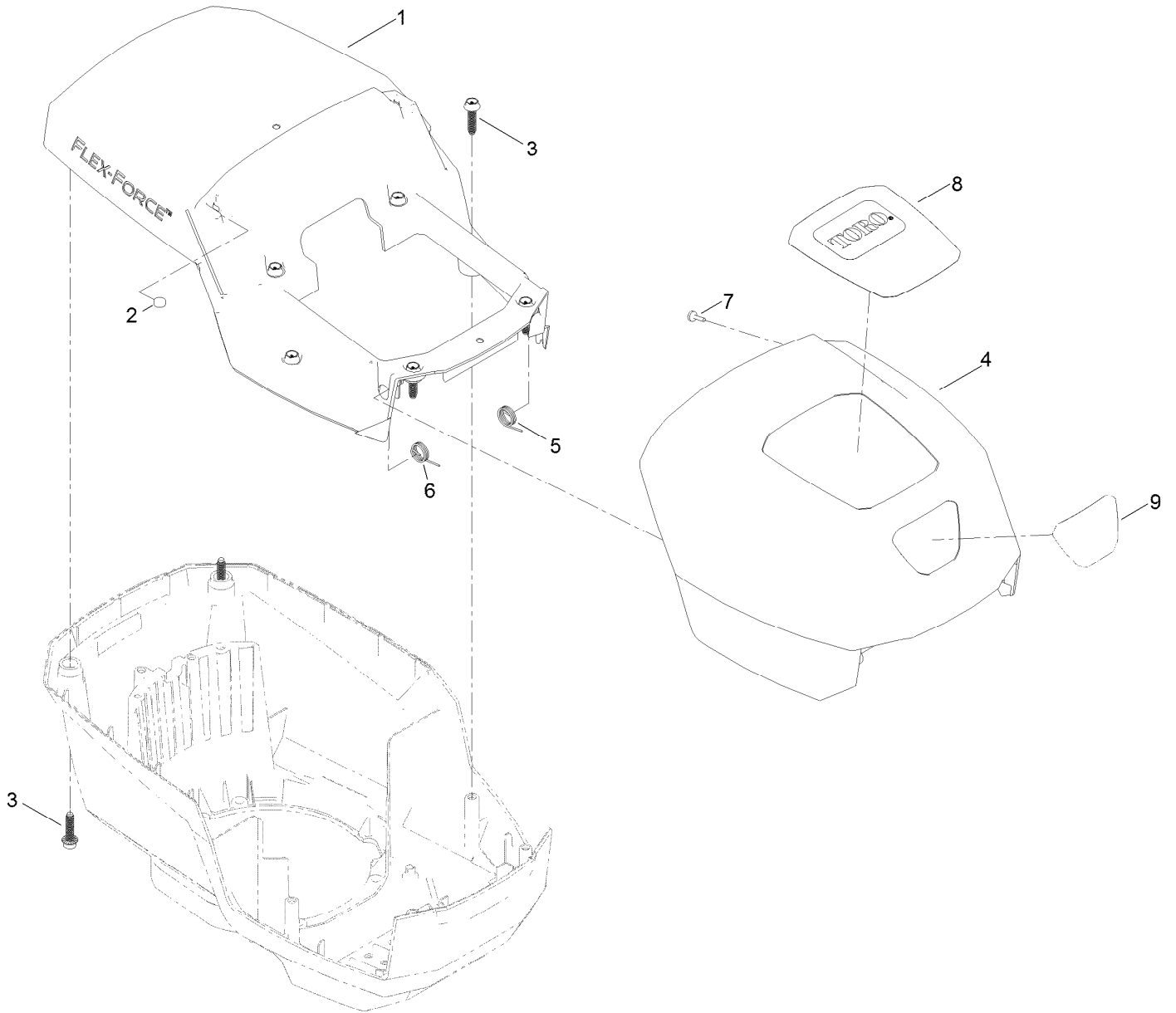
# Motor Module Assembly No. 139-1680

## Lower Shroud Assembly (continued)

<i>Ref.</i>	<i>Part Number</i>	<i>Qty.</i>	<i>Description</i>	<i>Ref.</i>	<i>Part Number</i>	<i>Qty.</i>	<i>Description</i>
1	139-6628	1	Base-Mount, Motor	10	139-6634	1	Driver-Motor
2	139-6630	1	Motor	11	139-6642	4	Screw
3	131-9732	3	Insert-Mount, Motor	12	139-6635	1	Bracket-Foam
4	137-4795	3	Screw	13	138-3273	1	Screw-Plastic, PPH
5	115-7373	4	Nut-Lock	14	139-6636	1	Foam
6	139-6631	1	Shroud-Lower	15	133-1918	1	Bail Switch ASM
7	139-6632	1	Battery Reciever ASM	15:4	104-6478	1	Spring-Extension
8	139-6633	1	Shroud-Motor	16	139-6637	1	Harness-Wire
9	130-6658	6	Screw-Flange, Plastic				

# Motor Module Assembly No. 139-1680

## Upper Shroud Assembly

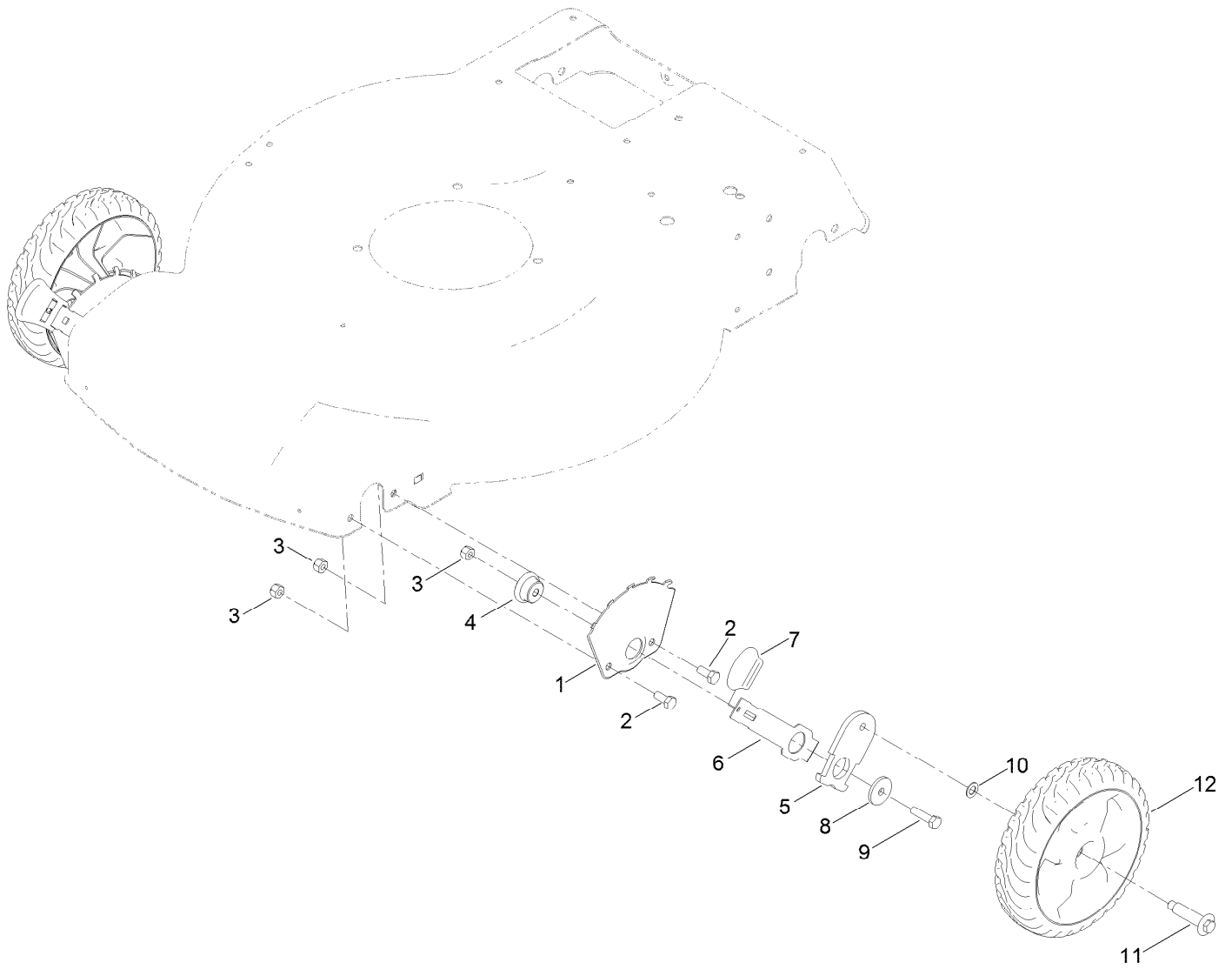


# Motor Module Assembly No. 139-1680

## Upper Shroud Assembly (continued)

<i>Ref.</i>	<i>Part Number</i>	<i>Qty.</i>	<i>Description</i>	<i>Ref.</i>	<i>Part Number</i>	<i>Qty.</i>	<i>Description</i>
1	139-6638	1	Shroud-Upper	6	139-6641	1	Spring-RH
2	114-5896	2	Magnet	7	95-4234	2	Screw-PPH
3	130-6658	8	Screw-Flange, Plastic	8	136-9118	1	Decal-Hood, Top
4	139-6639	1	Hood	9	136-9119	1	Decal-Hood, Front
5	139-6640	1	Spring-LH				

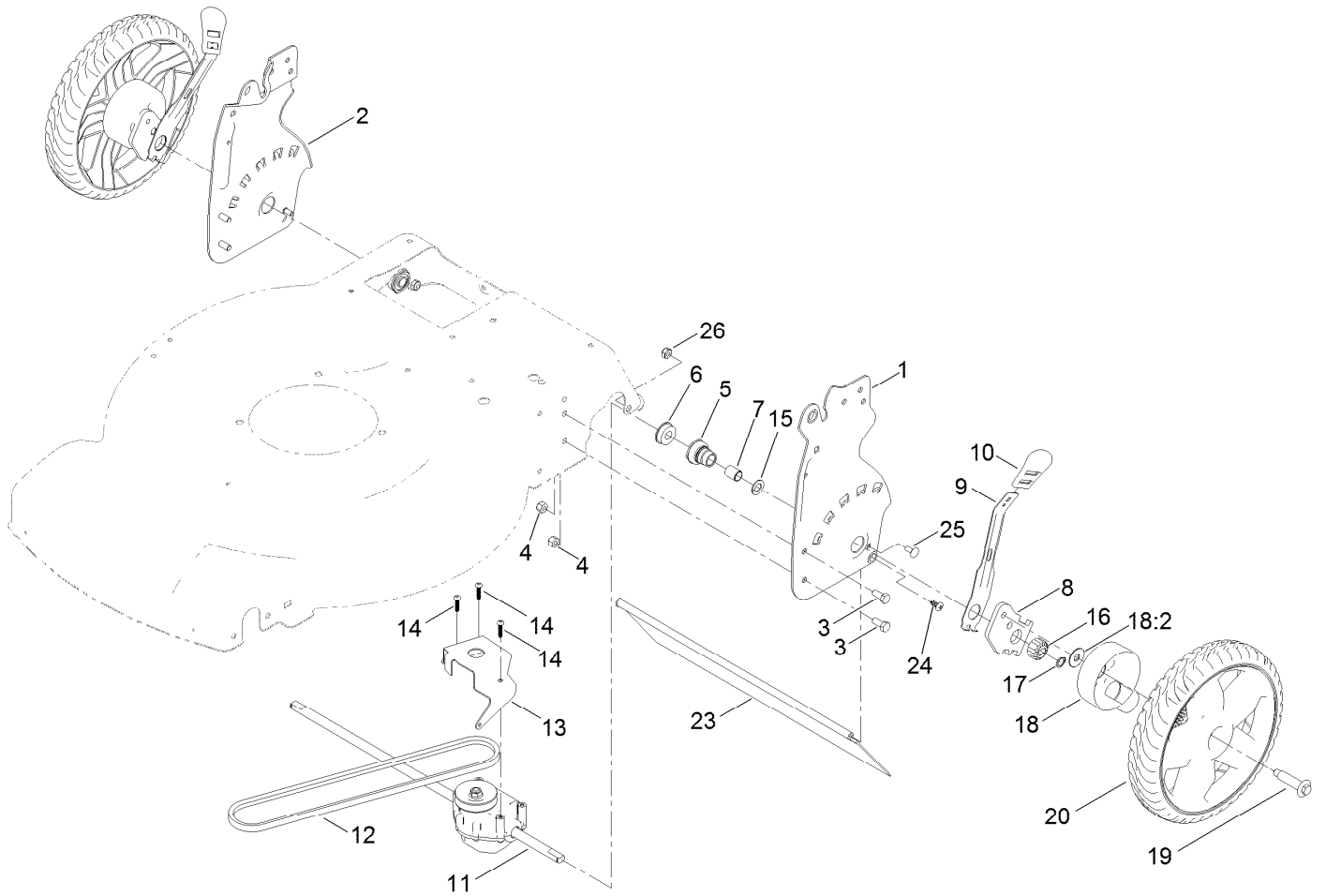
# Front Wheel and Height-of-Cut Assembly



## Front Wheel and Height-of-Cut Assembly (continued)

<i>Ref.</i>	<i>Part Number</i>	<i>Qty.</i>	<i>Description</i>	<i>Ref.</i>	<i>Part Number</i>	<i>Qty.</i>	<i>Description</i>
1	115-1956-03	2	Plate-HOC, Front	7	110-0549	2	Knob-HOC
2	322-3	4	Screw-HH	8	105-3048	2	Washer-Flat
3	3296-29	6	Nut-Lock, NI	9	322-6	2	Screw-HH
4	105-1818	2	Bushing-Mount, HOC	10	40-1940	2	Washer
5	137-9128	2	Arm-Pivot, Front	11	614650	2	Bolt-Shoulder
6	105-1809	2	Arm-Spring	12	137-4833	2	8In Wheel ASM

# Rear Wheel and Height-of-Cut Assembly

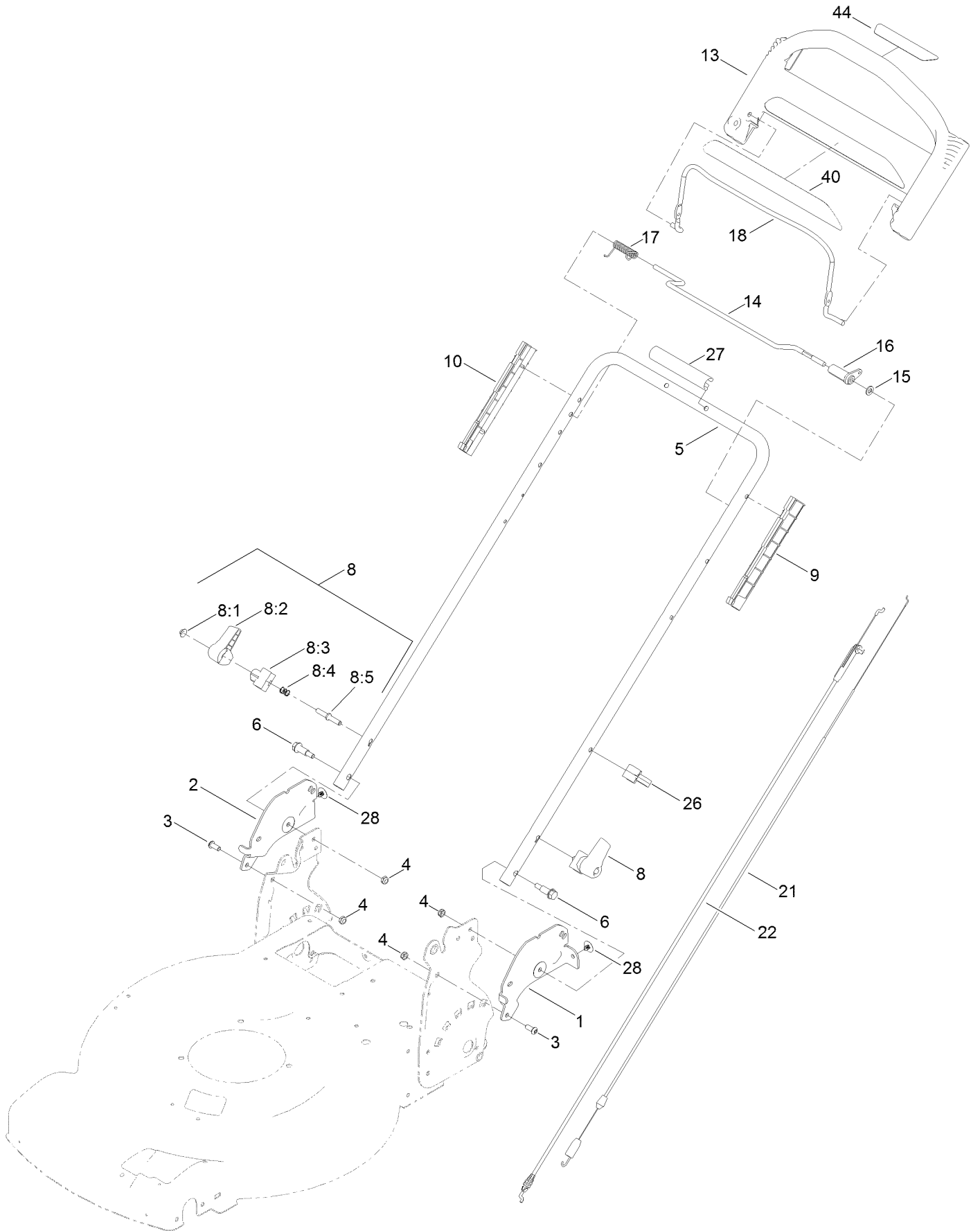




## Rear Wheel and Height-of-Cut Assembly (continued)

<i>Ref.</i>	<i>Part Number</i>	<i>Qty.</i>	<i>Description</i>	<i>Ref.</i>	<i>Part Number</i>	<i>Qty.</i>	<i>Description</i>
1	136-5887-03	1	Plate-HOC, Rwd (LH)	14	108-7476	3	Screw-Plastite
2	136-5888-03	1	Plate-HOC, Rwd (RH)	15	110-7191	2	Washer-Thrust
3	322-3	4	Screw-HH	16	131-5399	2	Gear-Pinion, 15T
4	3296-29	4	Nut-Lock, NI	17	32151-61	2	Ring-Retaining
5	108-9779	2	Retainer-Bushing, HOC	18	136-9059	2	Gear Cover ASM
6	104-8699	2	Bearing-Ball	18:2	614426	1	Washer-Stepped
7	108-9782	2	Bushing-Sleeve	19	614650	2	Bolt-Shoulder
8	136-9090	2	Arm-Pivot, Rear	20	137-4843	2	Wheel Gear ASM (11In)
9	132-4486	2	Arm-Spring	23	120-7012	1	Shield-Trailing
10	110-0549	2	Knob-HOC	24	117-1092	2	Screw-PTH
11	137-4825	1	Transmission-Rwd (6:1)	25	3229-11	2	Screw-CARR
12	91-2258	1	Belt-V	26	3296-16	2	Nut-Lock, NI
13	132-4481-01	1	Bracket-Transmission				

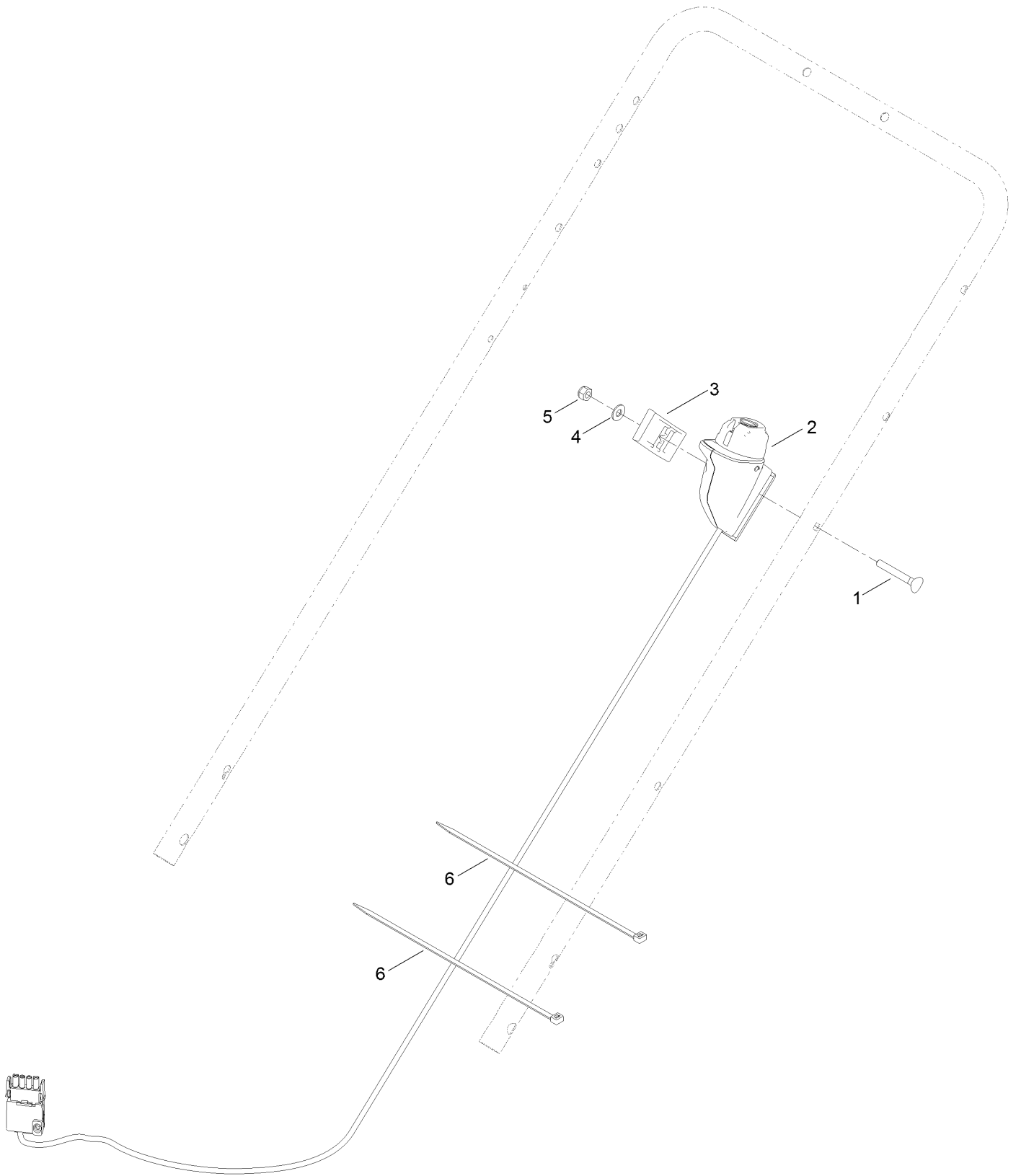
# Handle Assembly



## Handle Assembly (continued)

<i>Ref.</i>	<i>Part Number</i>	<i>Qty.</i>	<i>Description</i>	<i>Ref.</i>	<i>Part Number</i>	<i>Qty.</i>	<i>Description</i>
1	137-9109-03	1	Plate-Handle, LH	13	104-8678	1	Handle-Control
2	137-9110-03	1	Plate-Handle, RH	14	136-7150	1	Bar-Control, Traction
3	3274-55	2	Screw-HSBH	15	3256-23	1	Washer-Plain
4	3296-47	4	Nut-Lock, NI	16	99-1589	1	Lever-Traction
5	132-4471-05	1	Handle	17	136-7166	1	Spring-Torsion
6	130-2344	2	Bolt-Shoulder	18	131-0880-03	1	Bail-Brake
8	115-2860	2	Quick Release ASM	21	115-8435	1	Cable-Traction
8:1	32112-11	1	Nut-Push	22	115-8437	1	Cable-Brake
8:2	138-3248	1	Lever-Release	26	114-7988	1	Guide-Cable
8:3	138-3253	1	Anchor-Spring	27	131-4551	1	Cover-Handle
8:4	115-2858	1	Spring-Compression	28	130-6721	2	Clip-Tree
8:5	138-3243	1	Rod-Release	40	117-1019	1	Decal
9	105-6842	1	Guide-LH	44	137-4802	1	Decal-Controls (60V)
10	105-6841	1	Guide-RH				

# Starter Switch Assembly



## Starter Switch Assembly (continued)

<i>Ref.</i>	<i>Part Number</i>	<i>Qty.</i>	<i>Description</i>	<i>Ref.</i>	<i>Part Number</i>	<i>Qty.</i>	<i>Description</i>
1	95-4453	1	Screw	4	3256-1	1	Washer-Flat
2	133-8140	1	Starter Switch ASM	5	3296-73	1	Nut-Lock, NI
3	136-7029	1	Clamp-Cable	6	614249	2	Tie-Cable

# Attachments and Accessories

## For 20366 Flex-Force Power System 60V MAX 22in Recycler Lawn Mower

<b>Product Name</b>	<b>Model/Part</b>
Traction Assist Handle Kit.....	131-4590
8 Inch Wheel ASM.....	137-4833P
Lawn Striping Kit with 22in Roller.....	20601
Smart Stow Walk Power Mower Cover .....	490-2012
Bag-Walk Behind (Toro).....	490-7318
Replacement Bag .....	59310
22 Inch Atomic Blade.....	59534P

## For 20366T Flex-Force Power System 60V MAX 22in Recycler Lawn Mower

<b>Product Name</b>	<b>Model/Part</b>
Traction Assist Handle Kit.....	131-4590
8 Inch Wheel ASM.....	137-4833P
Lawn Striping Kit with 22in Roller.....	20601
Smart Stow Walk Power Mower Cover .....	490-2012
Bag-Walk Behind (Toro).....	490-7318
Replacement Bag .....	59310
22 Inch Atomic Blade.....	59534P

**Notes:**



**Count on it.**