



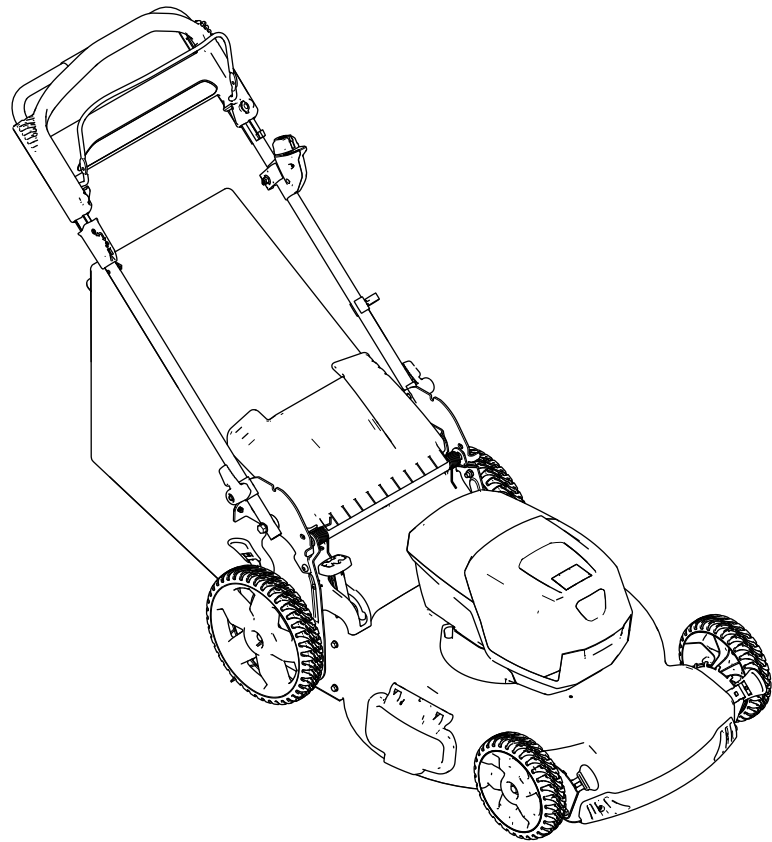
**Count on it.**

**Operator's Manual**

**Flex-Force Power System™ 60V  
MAX 55cm Recycler® Lawn  
Mower**

Model No. 21863—Serial No. 40000000 and Up

Model No. 21863T—Serial No. 40000000 and Up





For assistance, please see [www.Toro.com/support](http://www.Toro.com/support) for instructional videos or contact 1-888-384-9939 before returning this product.

# Contents

- Safety ..... 3
  - Safety and Instructional Decals ..... 5
- Setup ..... 8
  - 1 Mounting the Battery Charger (Optional) ..... 8
  - 2 Unfolding the Handle ..... 9
  - 3 Assembling the Grass Bag ..... 9
- Product Overview ..... 11
  - Specifications ..... 11
- Before Operation ..... 12
  - Installing the Battery Pack ..... 12
  - Adjusting the Cutting Height ..... 13
- During Operation ..... 13
  - Starting the Machine ..... 13
  - Using the Self-Propel Drive ..... 14
  - Recycling the Clippings ..... 14
  - Bagging the Clippings ..... 14
  - Operating the Bag-on-Demand Lever ..... 15
  - Side-Discharging the Clippings ..... 15
  - Shutting Off the Machine ..... 16
  - Removing the Battery Pack from the Machine ..... 16
- Operating Tips ..... 16
- After Operation ..... 17
  - Charging the Battery Pack ..... 17
  - Cleaning under the Machine ..... 18
  - Folding the Handle ..... 18
  - Storing the Machine in the Vertical-Stow Position ..... 19
- Maintenance ..... 20
  - Lubricating the Machine ..... 20
  - Replacing the Blade ..... 20
  - Adjusting the Self-Propel Drive ..... 21
  - Preparing the Battery Pack for Recycling ..... 21
- Storage ..... 21
- Troubleshooting ..... 22

## Introduction

This rotary-blade, walk-behind lawn mower is intended to be used by residential homeowners. It is designed primarily for cutting grass on well-maintained lawns on residential properties. It is not designed for cutting brush or for agricultural uses. It is designed primarily to use lithium-ion battery pack Model 81860 (provided with Model 21863). Using these products for purposes other than their intended use could prove dangerous to you and bystanders.

**Model 21863T does not include a battery or a charger.**

Read this information carefully to learn how to operate and maintain your product properly and to avoid injury and product damage. You are responsible for operating the product properly and safely.

Visit [www.Toro.com](http://www.Toro.com) for more information, including safety tips, training materials, accessory information, help finding a dealer, or to register your product.

Whenever you need service, genuine Toro parts, or additional information, contact an Authorized Service Dealer or Toro Customer Service and have the model and serial numbers of your product ready. **Figure 1** identifies the location of the model and serial numbers on the product. Write the numbers in the space provided.

**Important:** With your mobile device, you can scan the QR code on the serial number decal (if equipped) to access warranty, parts, and other product information.



g275230

**Figure 1**

1. Model and serial number location

# Safety

## IMPORTANT SAFETY INSTRUCTIONS

**WARNING**—When using an electric machine, always read and follow basic safety warnings and instructions to reduce the risk of fire, electric shock, or injury, including the following:

### I. Training

1. The operator of the machine is responsible for any accidents or hazards occurring to others or their property.
2. Do not allow children to use or play with the machine, battery pack, or the battery charger; local regulations may restrict the age of the operator.
3. Do not allow people with reduced physical, sensory, or mental capabilities or without experience and knowledge to use the machine, battery pack, or battery charger unless they receive instruction or supervision on using it safely and understand the hazards involved while using it.
4. Before using the machine, battery pack, and battery charger, read all the instructions and cautionary markings on these products.
5. Become familiar with the controls and proper use of the machine, battery pack, and battery charger.

### II. Preparation

1. Keep bystanders, especially children and pets, out of the operating area.
2. Do not operate the machine without all guards and safety devices, such as deflectors and grass catchers, in place and functioning properly on the machine.
3. Inspect the area where you will use the machine and remove all objects that could interfere with the operation of the machine or that the machine could throw.
4. Before using the machine, ensure that the blade, blade bolt, and blade assembly are not worn or damaged. Replace any damaged or unreadable labels.
5. Use only the battery pack specified by Toro. Using other accessories and attachments may increase the risk of injury and fire.
6. Plugging the battery charger into an outlet that is not 100 to 240 V can cause a fire or electric shock. Do not plug the battery charger into an

outlet other than 100 to 240 V. For a different style of connection, use an attachment plug adapter of the proper configuration for the power outlet if needed.

7. Do not use a damaged or modified battery pack or battery charger, which may exhibit unpredictable behavior that results in fire, explosion, or risk of injury.
8. If the supply cord to the battery charger is damaged, contact an Authorized Service Dealer to replace it.
9. Do not use non-rechargeable batteries.
10. Charge the battery pack with only the battery charger specified by Toro. A charger suitable for 1 type of battery pack may create a risk of fire when used with another battery pack.
11. Charge the battery pack in a well-ventilated area only.
12. Do not expose a battery pack or battery charger to fire or to temperatures higher than 68°C (154°F).
13. Follow all charging instructions and do not charge the battery pack outside of the temperature range specified in the instructions. Otherwise, you may damage the battery pack and increase the risk of fire.
14. Dress properly—Wear appropriate clothing, including eye protection; long pants; substantial, slip-resistant footwear (not barefoot or wearing sandals); and hearing protection. Tie back long hair and do not wear loose jewelry that can get caught in moving parts. Wear a dust mask in dusty operating conditions.

### III. Operation

1. Contact with the moving blade will cause serious injury. Keep your hands or feet near away from the cutting area and all moving parts of the machine. Keep clear of any discharge opening.
2. Using this machine for purposes other than its intended use could prove dangerous to you and bystanders.
3. Disengage the self-propel drive (if equipped) before starting the machine.
4. Do not tilt the appliance when starting the motor.
5. Prevent unintentional starting—Ensure that the electric-start button is removed from the ignition before connecting the battery pack and handling the machine.
6. Use your full attention while operating the machine. Do not engage in any activity that causes distractions; otherwise, injury or property damage may occur.

7. Stop the machine, remove the electric-start button, remove the battery pack from the machine, and wait for all movement to stop before adjusting, servicing, cleaning, or storing the machine.
  8. Remove the battery pack and electric-start button from the machine whenever you leave it unattended or before changing accessories.
  9. Do not force the machine—Allow the machine to do the job better and safer at the rate for which it was designed.
  10. Stay alert—Watch what you are doing and use common sense when operating the machine. Do not use the machine while ill, tired, or under the influence of alcohol or drugs.
  11. Operate the machine only in good visibility and appropriate weather conditions. Do not operate the machine when there is the risk of lightning.
  12. Use extreme caution when reversing or pulling the machine toward you.
  13. Keep proper footing and balance at all times, especially on slopes. Mow across the face of slopes, never up and down. Use extreme caution when changing directions on slopes. Do not mow exceedingly steep slopes. Walk, never run with the machine.
  14. Do not direct the discharge material toward anyone. Avoid discharging material against a wall or obstruction; material may ricochet toward you. Stop the blade(s) when crossing gravel surfaces.
  15. Watch for holes, ruts, bumps, rocks, or other hidden objects. Uneven terrain could cause you to lose your balance or footing.
  16. Wet grass or leaves can cause serious injury if you slip and contact the blade. Avoid mowing in wet conditions or when it is raining.
  17. If the machine strikes an object or starts to vibrate, immediately shut off the machine, remove the electric-start button, remove the battery pack, and wait for all movement to stop before examining the machine for damage. Make all necessary repairs before resuming operation.
  18. Stop the machine and remove the electric-start button before loading the machine for hauling.
  19. Under abusive conditions, the battery pack may eject liquid; avoid contact. If you accidentally come into contact with the liquid, flush with water. If the liquid contacts your eyes, seek medical help. Liquid ejected from the battery pack may cause irritation or burns.
1. Stop the machine, remove the electric-start button, remove the battery pack from the machine, and wait for all movement to stop before adjusting, servicing, cleaning, or storing the machine.
  2. Do not attempt to repair the machine except as indicated in the instructions. Have an Authorized Service Dealer perform service on the machine using identical replacement parts.
  3. Wear gloves and eye protection when servicing the machine.
  4. Sharpen a dull blade on both sides to maintain balance. Clean the blade and ensure that it is balanced.
  5. Replace the blade if it is bent, worn, or cracked. An unbalanced blade causes vibration, which could damage the motor or cause personal injury.
  6. When servicing the blade, be aware that the blade can still move even though the power source is off.
  7. Check the grass collection bag frequently for deterioration or wear, and replace a worn bag with a Toro [replacement] bag.
  8. For best performance, use only genuine Toro replacement parts and accessories. Other replacement parts and accessories could be dangerous, and such use could void the product warranty.
  9. Maintain the machine—Keep cutting edges sharp and clean for the best and safest performance. Keep handles dry, clean, and free from oil and grease. Keep guards in place and in working order. Keep blades sharp. Use identical replacement blades only.
  10. Check the machine for damaged parts—If there are damaged guards or other parts, determine whether the machine will operate properly. Check for misaligned and binding moving parts, broken parts, mounting, and any other condition that may affect its operation. Unless indicated in the instructions, have an Authorized Service Dealer repair or replace a damaged guard or part.
  11. When the battery pack is not in use, keep it away from metal objects such as paper clips, coins, keys, nails, and screws that can make a connection from 1 terminal to another. Shorting the battery terminals may cause burns or a fire.
  12. Check the blade and motor mounting bolts frequently for tightness.
  13. When you are not using the machine, store it indoors in a dry, secure place out of the reach of children.

#### **IV. Maintenance and Storage**

- CAUTION—A mistreated battery pack may present a risk of fire or chemical burn. Do not disassemble the battery pack. Do not heat the battery pack above 68°C (154°F) or incinerate it. Replace the battery pack with a genuine Toro battery pack only; using another type of battery pack may cause a fire or explosion. Keep battery packs out of the reach of children and

in the original packaging until you are ready to use them.

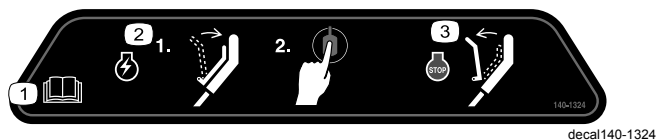
- Do not dispose of the battery in a fire. The cell may explode. Check with local codes for possible special disposal instructions.

## SAVE THESE INSTRUCTIONS

### Safety and Instructional Decals

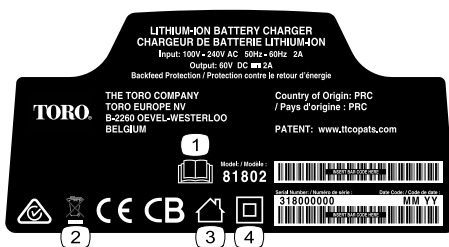


Safety decals and instructions are easily visible to the operator and are located near any area of potential danger. Replace any decal that is damaged or missing.



140-1324

- Read the *Operator's Manual*.
- To start the machine, squeeze the bar to the handle and press the button.
- To shut off the machine, release the bar.



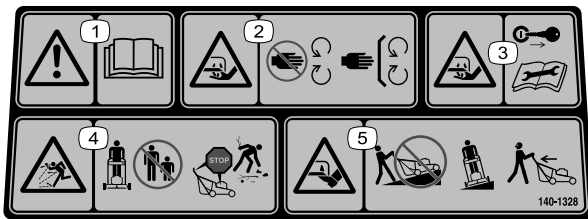
137-9495

- Read the *Operator's Manual*.
- Do not discard.
- For indoor use.
- Double insulated.



137-9496

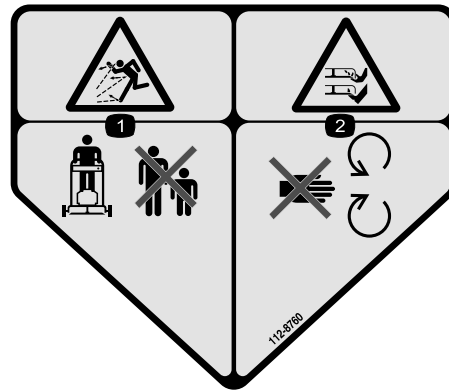
- The battery pack is charging.
- The battery pack is fully charged.
- The battery pack is over or under the appropriate temperature range.
- Battery pack charging fault



decal140-1328

**140-1328**

1. Warning—read the *Operator's Manual*.
2. Cutting/dismemberment hazard of the hand, mower blade—stay away from moving parts; keep all guards and shields in place.
3. Cutting/dismemberment hazard of the hand, mower blade—remove the key and read the *Operator's Manual* before performing maintenance.
4. Thrown object hazard—keep bystanders away; shut off the engine and wait for all moving parts to stop before leaving the machine; pick up debris before mowing.
5. Cutting/dismemberment hazard of the foot, mower blade—do not mow up or down slopes; only mow across slopes; look behind you when mowing in reverse.



decal112-8760

**112-8760**

1. Thrown object hazard—keep bystanders away.
2. Cutting/dismemberment hazard of hand or foot, mower blade—stay away from moving parts.

**Model 81860**



decal137-9489

**137-9489**

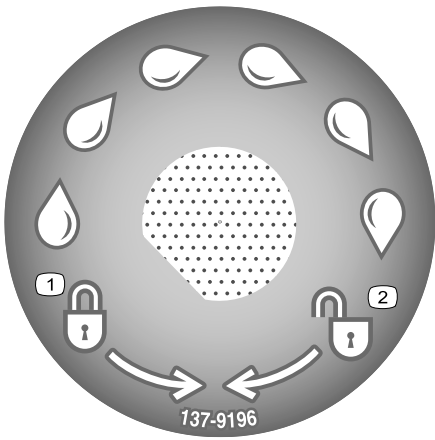
1. Read the *Operator's Manual*.
2. Recycle
3. Contains lithium ions; do not discard.
4. Keep away from open flames.
5. Do not expose to rain.



decal125-5026

**125-5026**

1. Recycling mode
2. Bagging mode

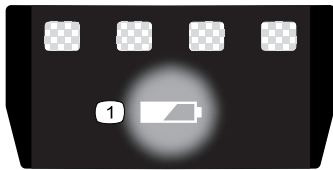


decal137-9196

**137-9196**

1. Lock

2. Unlock



decal137-9461

**137-9461**

1. Battery charge status

# Setup

**Note:** The battery pack is not fully charged when it is purchased. Before using the machine for the first time, refer to [Charging the Battery Pack \(page 17\)](#).

**1**

## Mounting the Battery Charger (Optional)

Parts needed for this procedure:

2	Mounting hardware (not included)
---	----------------------------------

### Procedure

If desired, mount the battery charger securely on a wall using the wall-mount key holes on the back of the charger.

Mount it indoors (such as a garage or other dry place), near a power outlet, and out of the reach of children.

Refer to [Figure 2](#) for assistance in mounting the charger.

Slide the charger over the appropriately positioned hardware to secure the charger in place (hardware not included).

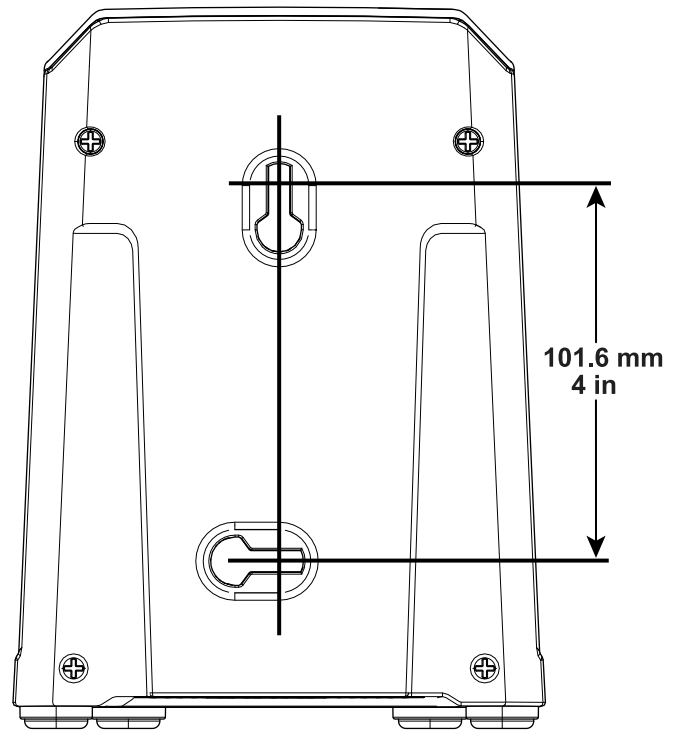


Figure 2

g247359



# 2

## Unfolding the Handle

No Parts Required

### Procedure

#### ⚠ WARNING

Unfolding the handle improperly can damage the cables, causing an unsafe operating condition.

- Do not damage the cable(s) when folding or unfolding the handle.
- Ensure that the cable(s) are routed to the outside of the handle.
- If a cable is damaged, contact an Authorized Service Dealer.

**Important:** Remove and discard the protective plastic sheet that covers the motor and any other plastic or wrapping on the machine.

1. Unlock the handle (A of [Figure 3](#)).
2. Move the handle rearward to the operating position (B of [Figure 3](#)).
3. Hold the handle while engaging the handle locks to avoid pinching your hands.
4. Engage the handle lock until the pin clicks in place to lock the handle into the operating position (C of [Figure 3](#)).

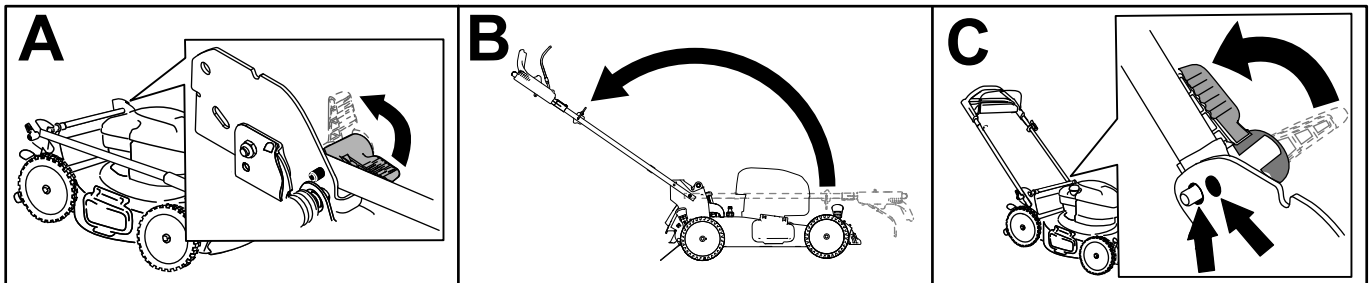


Figure 3

g251609

# 3

## Assembling the Grass Bag

No Parts Required

### Procedure

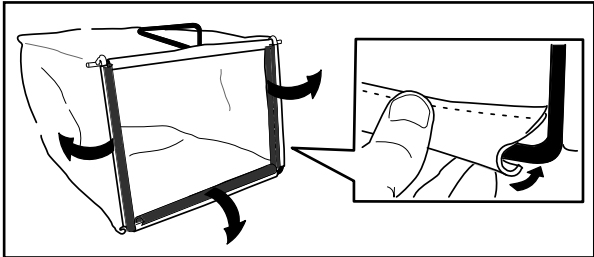
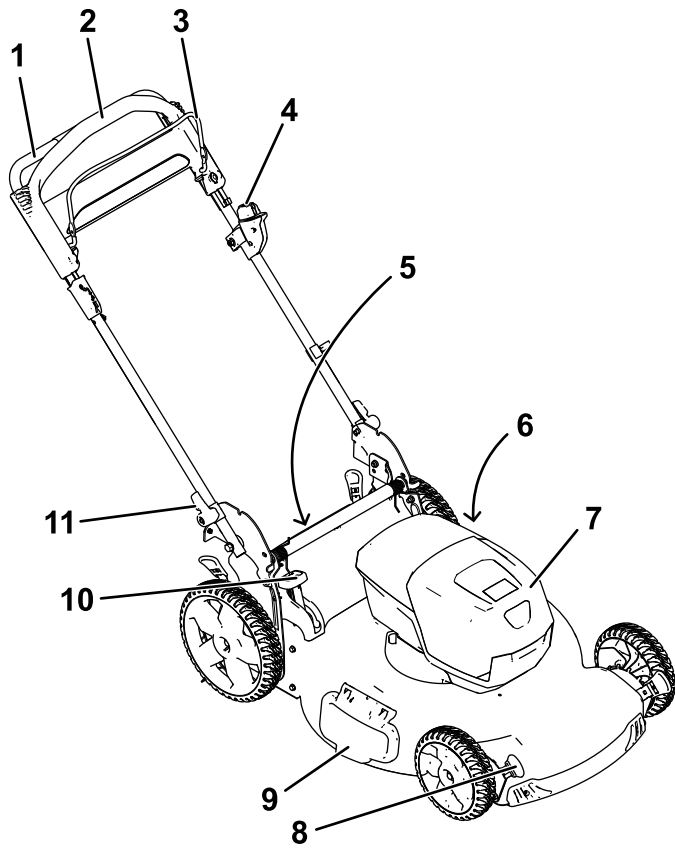


Figure 4

g230447

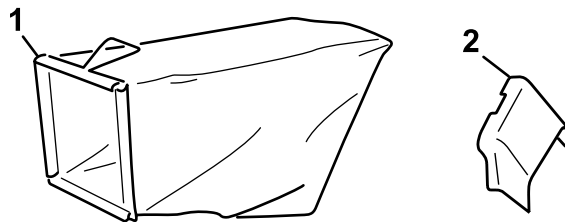
# Product Overview



**Figure 5**

g297638

- |                               |                             |
|-------------------------------|-----------------------------|
| 1. Handle                     | 7. Battery compartment      |
| 2. Self-propel drive bar      | 8. Cutting-height lever (4) |
| 3. Blade-control bar          | 9. Side-discharge deflector |
| 4. Electric-start button      | 10. Bag-on-demand lever     |
| 5. Rear deflector (not shown) | 11. Handle knob (2)         |
| 6. Washout port (not shown)   |                             |

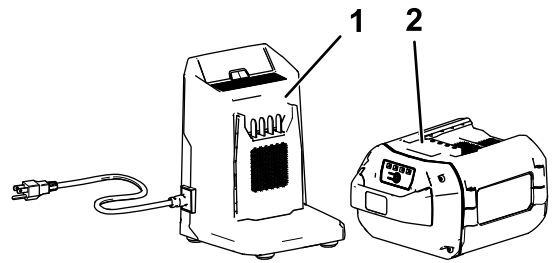


g036586

g036586

**Figure 6**

- |              |                         |
|--------------|-------------------------|
| 1. Grass bag | 2. Side-discharge chute |
|--------------|-------------------------|



g292995

**Figure 7**

- |  |   |
|--|---|
| 1. Battery charger (included with Model 21863) | 2. Battery pack model 81860 (included with Model 21863) |
|--|---|

## Specifications

### Appropriate Temperature Ranges

Charge/store the battery pack at	5°C (41°F) to 40°C (104°F)*
Use the battery pack at	-30°C (-22°F) to 49°C (120°F)*
Use the machine at	0°C (32°F) to 49°C (120°F)*

\*Charging time will increase if you do not charge the battery pack within this range.

Store the machine, battery pack, and battery charger in an enclosed clean, dry area.

# Operation

## Before Operation

### Installing the Battery Pack

**Important:** Operate the battery pack only in temperatures that are within the appropriate range; refer to [Specifications \(page 11\)](#).

1. Make sure that the vents on the battery are clear of any dust and debris.
2. Lift up the battery-compartment lid (A of [Figure 8](#)).
3. Line up the cavity in the battery pack with the tongue on the machine and slide the battery pack into the compartment until it locks into place (B of [Figure 8](#)).
4. Close the battery-compartment lid (C of [Figure 8](#)).

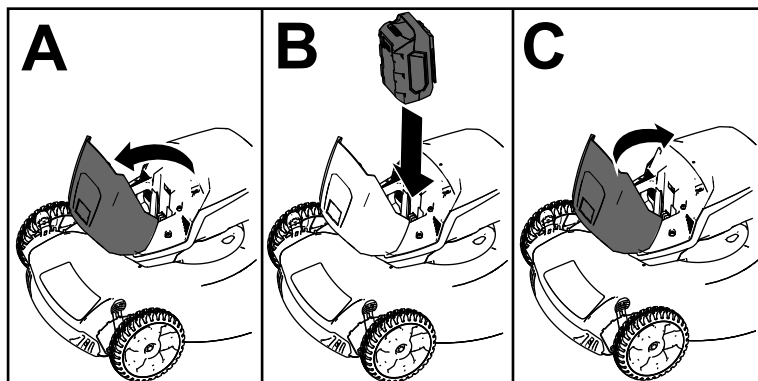


Figure 8

g251221

# Adjusting the Cutting Height

Adjust the cutting height as desired. Set all wheels to the same cutting height ([Figure 9](#)).

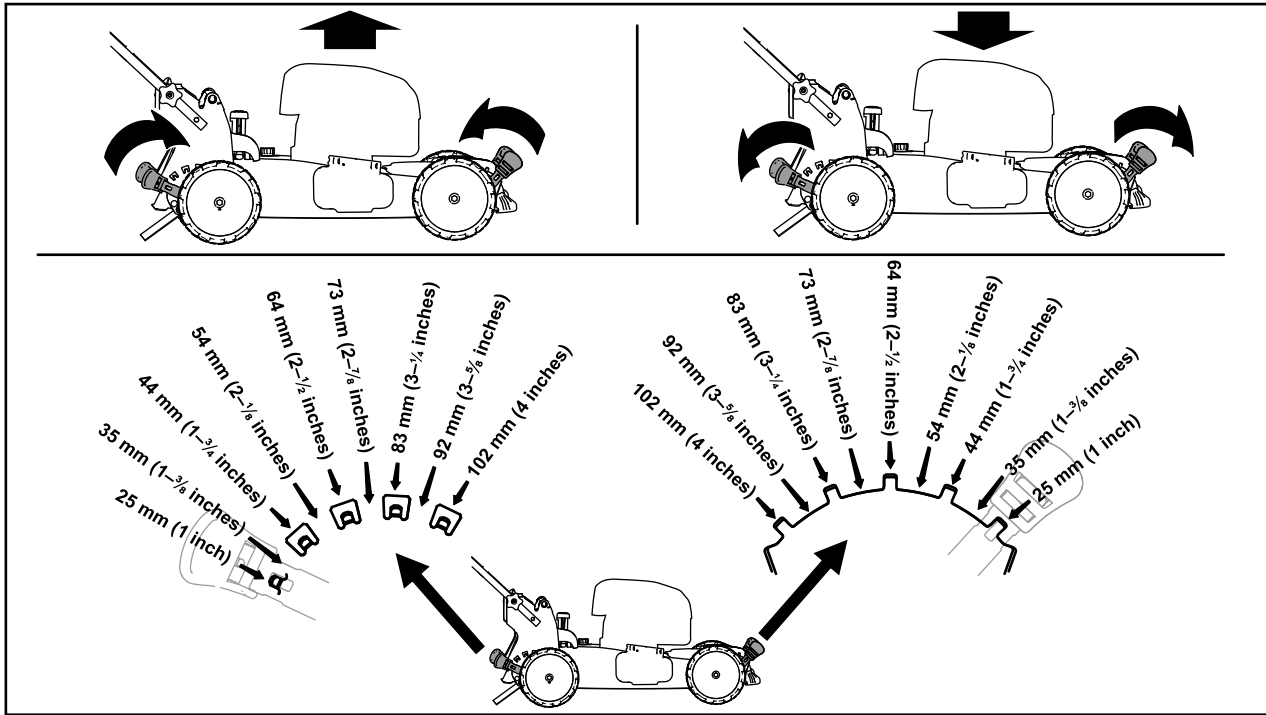


Figure 9

g254131

## During Operation

### Starting the Machine

1. Ensure that the battery pack is installed in the machine; refer to [Installing the Battery Pack \(page 12\)](#).
2. Insert the electric-start button into the electric starter switch (A of [Figure 10](#)).
3. Squeeze the blade-control bar and hold it to the handle (B of [Figure 10](#)).
4. Press the electric-start button and keep it pressed until the motor starts (C of [Figure 10](#)).

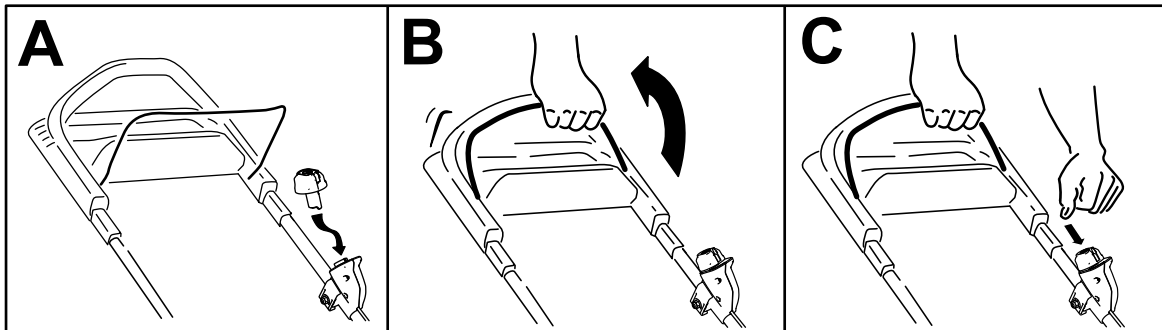


Figure 10

g293036

# Using the Self-Propel Drive

Simply walk with your hands on the upper handle and your elbows at your sides, and the machine will automatically keep pace with you (Figure 11).

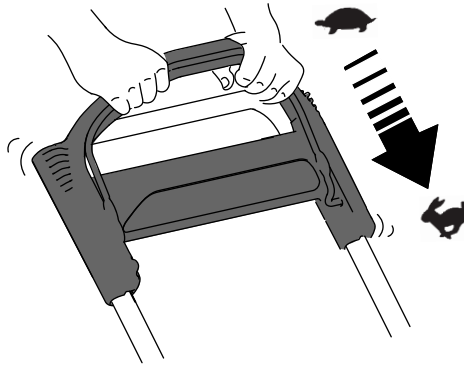


Figure 11

g233423

**Note:** If the machine does not freely roll backward after self-propelling, stop walking, hold your hands in place, and allow the machine to roll a couple of centimeters (inches) forward to disengage the wheel drive. You can also try reaching just under the upper handle to the metal handle and pushing the machine forward a couple of centimeters (inches). If the machine still does not roll backward easily, contact an Authorized Service Dealer.

## Recycling the Clippings

Your machine comes from the factory ready to recycle the grass and leaf clippings back into the lawn.

If the grass bag is on the machine and the bag-on-demand lever is in the bagging position, move the lever to the recycling position; refer to [Operating the Bag-on-Demand Lever \(page 15\)](#). If the side-discharge chute is on the machine, remove it; refer to [Removing the Side-Discharge Chute \(page 15\)](#).

## Bagging the Clippings

Use the grass bag when you want to collect grass and leaf clippings from the lawn.

If the side-discharge chute is on the machine, remove it; refer to [Removing the Side-Discharge Chute \(page 15\)](#). If the bag-on-demand lever is in the recycling position, move it to the bagging position; refer to [Operating the Bag-on-Demand Lever \(page 15\)](#).

## Installing the Grass Bag

1. Raise and hold up the rear deflector (A of [Figure 12](#)).
2. Install the grass bag, ensuring that the pins on the bag rest in the notches on the handle (B of [Figure 12](#)).
3. Lower the rear deflector.

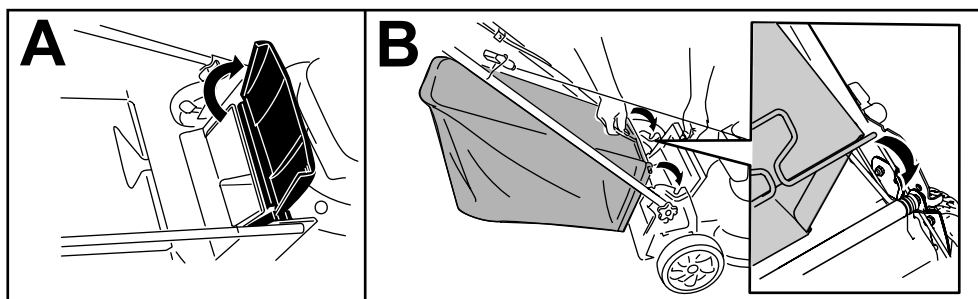


Figure 12

g233434

# Removing the Grass Bag

To remove the bag, reverse the steps in [Installing the Grass Bag \(page 14\)](#).

## Operating the Bag-on-Demand Lever

The bag-on-demand feature allows you to either collect or recycle grass and leaf clippings while the grass bag is attached to the machine.

- **To bag the grass and leaf clippings**, press the button on the bag-on-demand lever and move the lever forward until the button on the lever pops up ([Figure 13](#)).

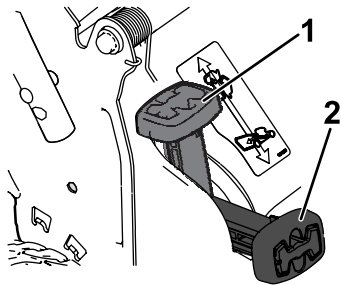


Figure 13

g251583

1. Bag-on-demand lever (in the recycling position)
2. Bag-on-demand lever (in the bagging position)

- **To recycle or side-discharge the grass and leaf clippings**, press the button on the lever and move the lever rearward until the button on the lever pops up.

**Important:** For proper operation, remove any grass clippings and debris from the bag-on-demand door and the surrounding opening ([Figure 14](#)) before you move the bag-on-demand lever from 1 position to another.

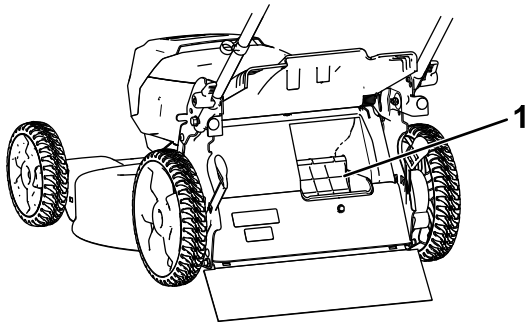


Figure 14

g251584

1. Clean here

## Side-Discharging the Clippings

Use the side discharge for cutting very tall grass.

If the grass bag is on the machine and the bag-on-demand lever is in the Bagging position, move the lever to the Recycling position; refer to [Removing the Side-Discharge Chute \(page 15\)](#).

## Installing the Side-Discharge Chute

Unlatch and lift up the side deflector and install the side-discharge chute ([Figure 15](#)).

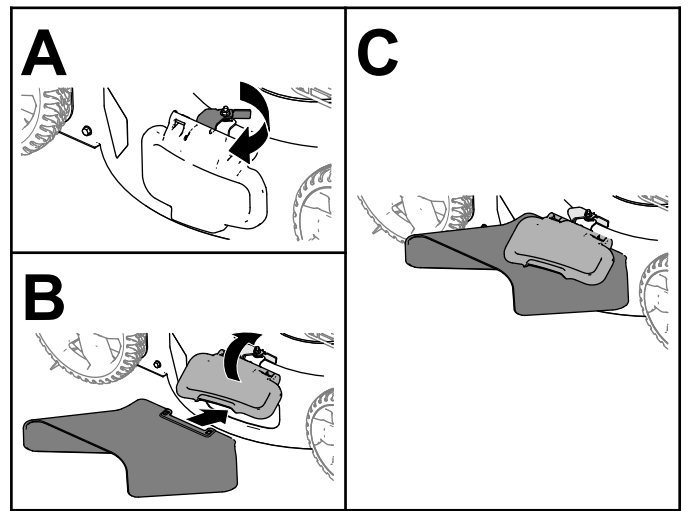


Figure 15

g235646

## Removing the Side-Discharge Chute

To remove the side-discharge chute, lift up the side deflector, remove the side-discharge chute, and lower the side-discharge deflector until it latches securely.

## Shutting Off the Machine

1. Release the blade-control bar (A of [Figure 16](#)).
2. Remove the electric-start button from the electric starter (B of [Figure 16](#)).
3. Remove the battery pack; refer to [Removing the Battery Pack from the Machine](#) (page 16).

**Note:** Whenever you are not using the machine, remove the battery pack.

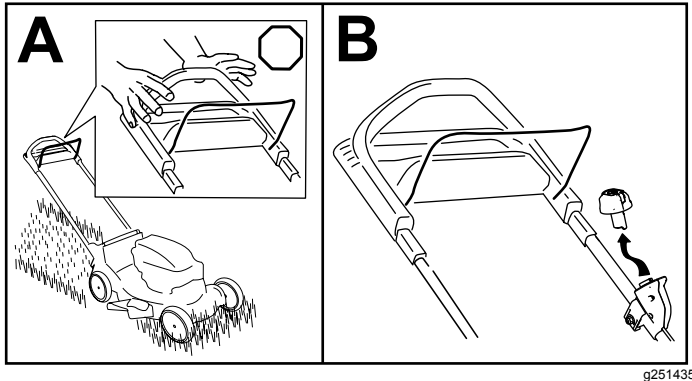


Figure 16

## Removing the Battery Pack from the Machine

1. Lift up the battery-compartment lid.
2. Press the battery-pack latch to release the battery pack and remove the battery pack.
3. Close the battery-compartment lid.

## Operating Tips

### General Mowing Tips

- Avoid striking solid objects with the blade. Never deliberately mow over any object.
- For best performance, install a new blade before the cutting season begins.
- Replace the blade when necessary with a Toro replacement blade.

### Cutting Grass

- Cut only about a third of the grass blade at a time. For improved runtime, cut grass at a higher height of cut.
- Do not cut below 51 mm (2 inches) unless the grass is sparse or it is late fall when grass growth begins to slow down.
- When cutting grass over 15 cm (6 inches) tall, mow at the highest cutting height setting and walk slower; then mow again at a lower setting for the best lawn appearance. If the grass is too long, the machine may plug and cause the motor to stall.
- Wet grass and leaves tend to clump on the yard and can cause the machine to plug or the motor to stall. Avoid mowing in wet conditions.
- Be aware of a potential fire hazard in very dry conditions, follow all local fire warnings, and keep the machine free of dry grass and leaf debris.
- Alternate the mowing direction. This helps disperse the clippings over the lawn for even fertilization.
- If the finished lawn appearance is unsatisfactory, try 1 or more of the following:
  - Replace the blade or have it sharpened.
  - Walk at a slower pace while mowing.
  - Raise the cutting height on your machine.
  - Cut the grass more frequently.
  - Overlap cutting swaths instead of cutting a full swath with each pass.

### Cutting Leaves

- After cutting the lawn, ensure that half of the lawn shows through the cut leaf cover. You may need to make more than a single pass over the leaves.
- If there are more than 13 cm (5 inches) of leaves on the lawn, mow at a higher cutting height and then again at the desired cutting height.
- Slow down your mowing speed if the machine does not cut the leaves finely enough.



# After Operation

## Charging the Battery Pack

**Important:** The battery pack is not fully charged when you purchase it. Before using the tool for the first time, place the battery pack in the charger and charge it until the LED display indicates the battery pack is fully charged. Read all safety precautions.

**Important:** Charge the battery pack only in temperatures that are within the appropriate range; refer to [Specifications \(page 11\)](#).

**Note:** At any time, press the battery-charge-indicator button on the battery pack to display the current charge (LED indicators).

1. Make sure that the vents on the battery and charger are clear of any dust and debris.

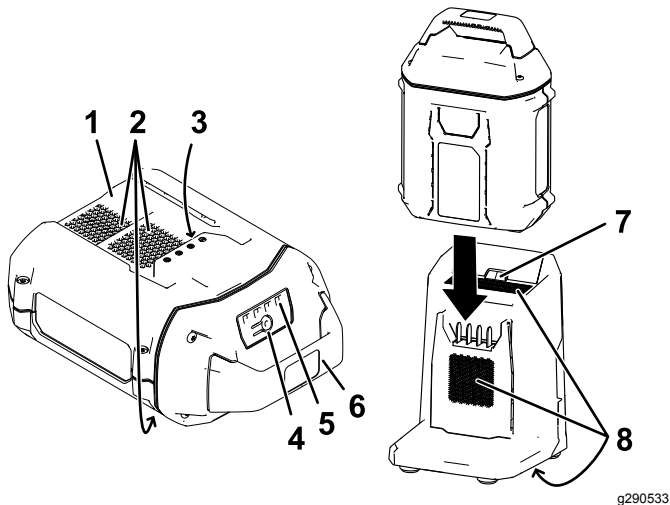


Figure 17

1. Battery pack cavity
  2. Battery pack venting areas
  3. Battery pack terminals
  4. Battery-charge-indicator button
  5. LED indicators (current charge)
  6. Handle
  7. Charger LED indicator light
  8. Charger venting areas
2. Line up the cavity in the battery pack ([Figure 17](#)) with the tongue on the charger.
  3. Make sure that the vents on the battery charger are clear of any dust and debris.
  4. Slide the battery pack into the charger until it is fully seated ([Figure 17](#)).
  5. To remove the battery pack, slide the battery backward out of the charger.
  6. Refer to the following table to interpret the LED indicator light on the battery charger.

Indicator light	Indicates
Off	No battery pack inserted
Green blinking	Battery pack is charging
Green	Battery pack is charged
Red	Battery pack and/or battery charger is over or under the appropriate temperature range
Red blinking	Battery pack charging fault*

\*Refer to [Troubleshooting \(page 22\)](#) for more information.

# Cleaning under the Machine

**Service Interval:** Before each use or daily

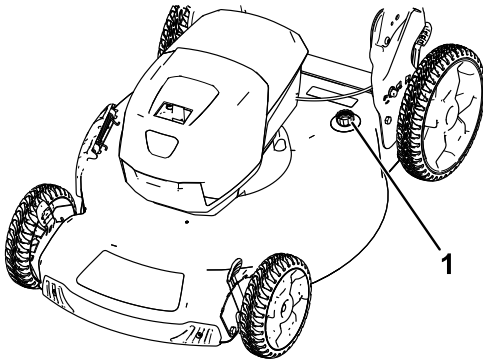
## Cleaning under the Machine Using the Washout Port

For best results, clean the machine soon after you have completed mowing.

1. Move the machine onto a flat paved surface.
2. Shut off the motor and wait for all moving parts to stop before leaving the operating position.
3. Lower the machine to its lowest cutting-height setting. Refer to [Adjusting the Cutting Height \(page 13\)](#).
4. Wash out the area under the rear door where the clippings go from the underside of the machine to the grass bag.

**Note:** Wash out the area with the bag-on-demand (if equipped) in both the fully forward and fully rearward positions.

5. Attach a garden hose that is connected to a water supply to the washout port ([Figure 18](#)).



**Figure 18**

g251300

1. Washout port

6. Turn the water on.
7. Start the motor and run it until the clippings no longer come out from under the machine.
8. Shut off the motor.
9. Shut off the water and disconnect the garden hose from the machine.
10. Start the motor and run it for a few minutes to dry the underside of the machine to prevent it from rusting.
11. Shut off the motor and allow it to cool before storing the machine in an enclosed area.

## Cleaning under the Machine in the Vertical-Stow Position

1. Set the machine in the vertical-stow position; refer to [Storing the Machine in the Vertical-Stow Position \(page 19\)](#).
2. Wash out the clippings from under the machine.

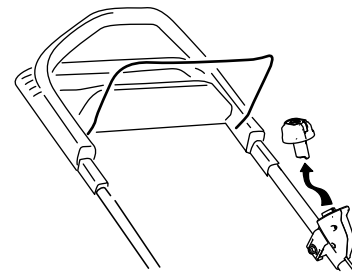
## Folding the Handle

### **⚠ WARNING**

Folding or unfolding the handle improperly can damage the cables, causing an unsafe operating condition.

- Do not damage the cables when folding or unfolding the handle.
- If a cable is damaged, contact an Authorized Service Dealer.

1. Remove the electric-start button ([Figure 19](#)).



**Figure 19**

g251571

2. Hold the handle while disengaging the handle locks to avoid pinching your hands.
3. Disengage the handle locks until you can move the upper handle freely.
4. Fold the handle forward either to the vertical position or the fully forward position as shown in [Figure 20](#).

**Important:** Route the cables to the outside of the handle locks as you fold the handle.

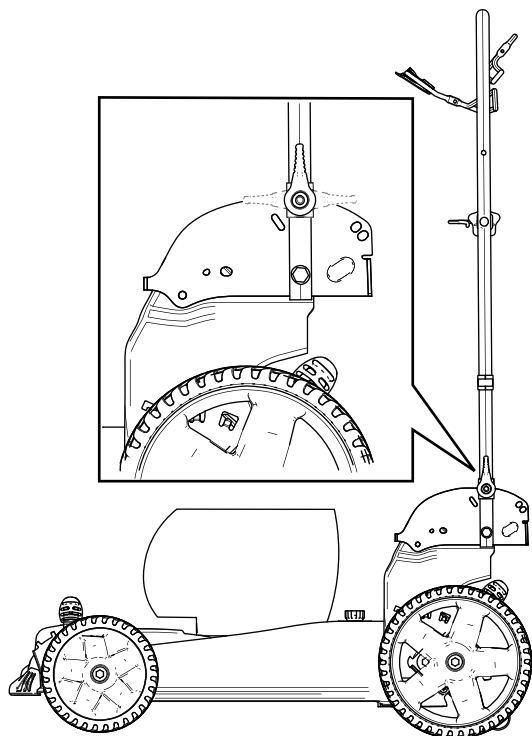


Figure 20

g251299

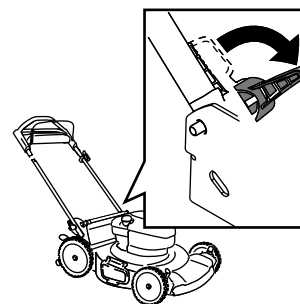


Figure 21

g251585

4. Fold the handle fully forward.  
**Important:** Route the cables to the outside of the handle knobs as you fold the handle.
5. Engage the handle locks.
6. Lift the front of the machine by the handle and move it into a storage space (Figure 22).

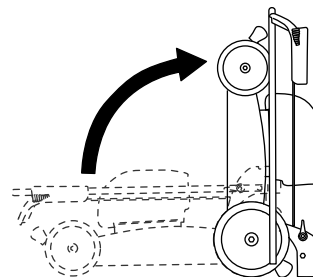


Figure 22

g251586

5. To unfold the handle, refer to [2 Unfolding the Handle](#) (page 9).

## Storing the Machine in the Vertical-Stow Position

You can store your machine in the vertical position to minimize storage space.

### **⚠ WARNING**

Folding or unfolding the handle improperly can damage the cables, causing an unsafe operating condition.

- Do not damage the cables when folding or unfolding the handle.
  - If a cable is damaged, contact an Authorized Service Dealer.
1. Remove the electric-start button and battery from the machine.
  2. Ensure that the cutting-height setting on the machine is 92 mm (3-5/8 inches) or lower; if it is not, lower it; refer to [Adjusting the Cutting Height](#) (page 13).
  3. Disengage the handle locks (Figure 21).

# Maintenance

Remove the electric-start button and battery pack from the machine before maintaining or cleaning the machine.

Use only the manufacturer's recommended replacement parts and accessories.

Inspect and maintain the machine regularly. Have the machine repaired only by an Authorized Service Dealer.

## Lubricating the Machine

You do not need to lubricate the machine; all the bearings have been lubricated at the factory for the life of the machine.

## Replacing the Blade

Service Interval: Yearly

**Important:** You will need a torque wrench to install the blade properly. If you do not have a torque wrench or are uncomfortable performing this procedure, contact an Authorized Service Dealer.

If the blade is damaged or cracked, replace it immediately. If the blade edge is dull or nicked, have it sharpened and balanced, or replace it.

### ⚠ WARNING

When servicing the blade, be aware that the blade can still move even though the power source is off. The blade is sharp; contacting the blade can result in serious personal injury.

Wear gloves when servicing the blade.

1. Remove the electric-start button and battery pack from the machine.
2. Use a block of wood to hold the blade steady (Figure 23).
3. Remove the blade, saving all mounting hardware (Figure 23).

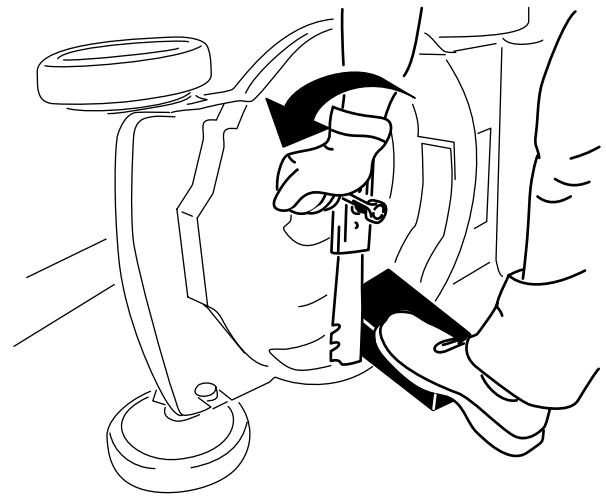


Figure 23

g231389

4. Install the new blade and all mounting hardware (Figure 24).

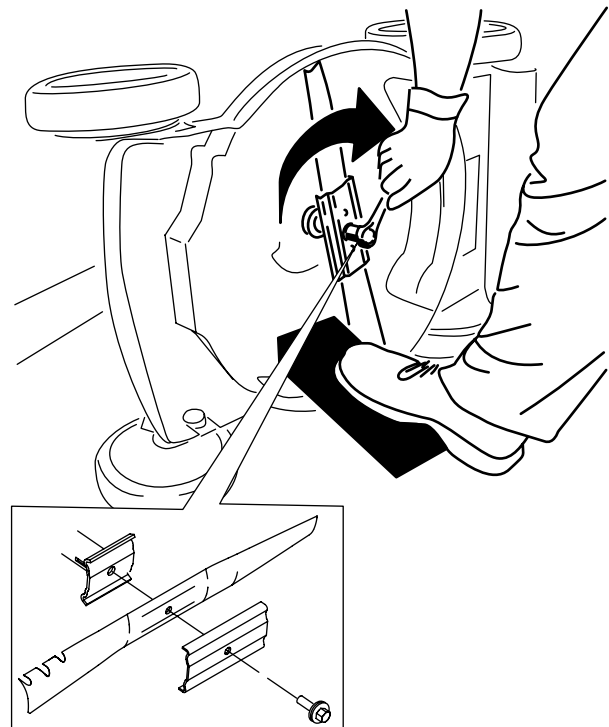


Figure 24

g231390

**Important:** Position the curved ends of the blade facing up toward the machine housing.

5. Use a torque wrench to tighten the blade bolt to 68 N·m (50 ft-lb).

# Adjusting the Self-Propel Drive

## For Self-Propel-Drive Models Only

Whenever you install a new self-propel cable or if the self-propel drive is out of adjustment, adjust the self-propel drive.

1. Turn the adjustment nut counterclockwise to loosen the cable adjustment (Figure 25).

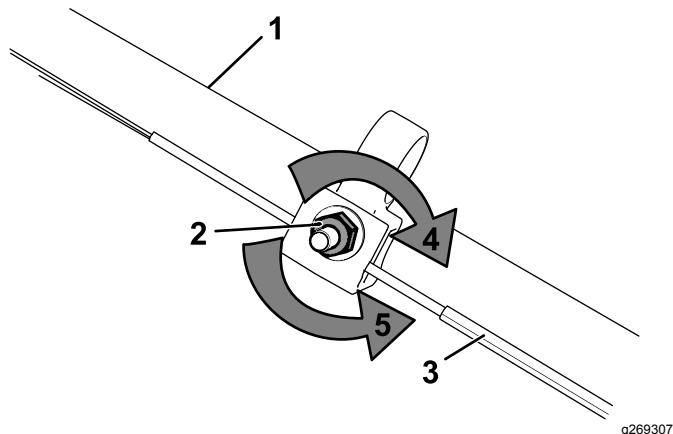


Figure 25

- |                            |  |
|----------------------------|--|
| 1. Handle (left side)      | 4. Turn the nut clockwise to tighten the adjustment.       |
| 2. Adjustment nut          | 5. Turn the nut counterclockwise to loosen the adjustment. |
| 3. Self-propel-drive cable |  |

2. Adjust the tension on the cable (Figure 25) by pulling it back or pushing it forward and holding that position.

**Note:** Push the cable toward the motor to increase the traction; pull the cable away from the motor to decrease the traction.

3. Turn the adjustment nut clockwise to tighten the cable adjustment.

**Note:** Tighten the nut firmly with a socket or wrench.

## Preparing the Battery Pack for Recycling

**Important:** Upon removal, cover the terminals of the battery pack with heavy-duty adhesive tape. Do not attempt to destroy or disassemble the battery pack or remove any of its components.

Contact your local municipality or your authorized Toro distributor for more information on how to responsibly recycle the battery.

## Storage

**Important:** Store the machine, battery pack, and charger only in temperatures that are within the appropriate range; refer to [Specifications \(page 11\)](#).

**Important:** If you are storing the machine for a year or longer, remove the battery pack from the machine and charge the battery pack until 2 or 3 LED indicators turn green on the battery. Do not store a fully charged or fully depleted battery. When you are ready to use the machine again, charge the battery pack until the left indicator light turns green on the charger or all 4 LED indicators turn green on the battery.

- Disconnect the product from the power supply (i.e., remove the battery pack) and check for damage after use.
- Clean all foreign material from the product.
- When not in use, store the machine, electric-start button, battery pack, and battery charger out of the reach of children.
- Keep the machine, battery pack, and battery charger away from corrosive agents, such as garden chemicals and de-icing salts.
- To reduce the risk of serious personal injury, do not store the battery pack outside or in vehicles.
- Store the machine, battery pack, and battery charger in an enclosed clean, dry area.

# Troubleshooting

Perform only the steps described in these instructions. All further inspection, maintenance, and repair work must be performed by an authorized service center or a similarly qualified specialist if you cannot solve the problem yourself.

Problem	Possible Cause	Corrective Action
The machine does not start.	<ol style="list-style-type: none"> <li>1. The battery is not fully installed in the machine.</li> <li>2. The battery pack is not charged.</li> <li>3. The battery pack is damaged.</li> <li>4. There is another electrical problem with the machine.</li> </ol>	<ol style="list-style-type: none"> <li>1. Remove and then replace the battery into the machine, making sure that it is fully installed and latched.</li> <li>2. Remove the battery pack from the machine and charge it.</li> <li>3. Replace the battery pack.</li> <li>4. Contact an Authorized Service Dealer.</li> </ol>
The machine does not run continuously.	<ol style="list-style-type: none"> <li>1. There is moisture on the leads of the battery pack.</li> <li>2. The battery is not fully installed into the tool.</li> </ol>	<ol style="list-style-type: none"> <li>1. Allow the battery pack to dry or wipe it dry.</li> <li>2. Remove and then replace the battery into the tool making sure that it is fully installed and latched.</li> </ol>
The machine does not reach full power.	<ol style="list-style-type: none"> <li>1. The battery pack charge capacity is too low.</li> <li>2. The air vents are blocked.</li> </ol>	<ol style="list-style-type: none"> <li>1. Remove the battery pack from the machine and fully charge the battery pack.</li> <li>2. Clean the air vents.</li> </ol>
The battery pack loses charge quickly.	<ol style="list-style-type: none"> <li>1. The battery pack is over or under the appropriate temperature range.</li> </ol>	<ol style="list-style-type: none"> <li>1. Move the battery pack to a place where it is dry and the temperature is between 5°C (41°F) and 40°C (104°F).</li> </ol>
The battery charger is not working.	<ol style="list-style-type: none"> <li>1. The battery charger is over or under the appropriate temperature range.</li> <li>2. The outlet that the battery charger is plugged into does not have power.</li> </ol>	<ol style="list-style-type: none"> <li>1. Unplug the battery charger and move it to a place where it is dry and the temperature is between 5°C (41°F) and 40°C (104°F).</li> <li>2. Contact your licensed electrician to repair the outlet.</li> </ol>
The LED indicator light on the battery charger is red.	<ol style="list-style-type: none"> <li>1. The battery charger and/or battery pack is over or under the appropriate temperature range.</li> </ol>	<ol style="list-style-type: none"> <li>1. Unplug the battery charger and move the battery charger and battery pack to a place where it is dry and the temperature is between 5°C (41°F) and 40°C (104°F).</li> </ol>
The LED indicator light on the battery charger is blinking red.	<ol style="list-style-type: none"> <li>1. There is an error in the communication between the battery pack and the charger.</li> <li>2. The battery pack is weak.</li> </ol>	<ol style="list-style-type: none"> <li>1. Remove the battery pack from the battery charger, unplug the battery charger from the outlet, and wait 10 seconds. Plug the battery charger into the outlet again and place the battery pack on the battery charger. If the LED indicator light on the battery charger is still blinking red, repeat this procedure again. If the LED indicator light on the battery charger is still blinking red after 2 attempts, properly dispose of the battery pack at a battery recycling facility.</li> <li>2. Properly dispose of the battery pack at a battery recycling facility.</li> </ol>
It is difficult to remove the battery pack from the tool.	<ol style="list-style-type: none"> <li>1. The battery pack/tool is new or there is corrosion in the battery terminals and/or the terminals on the tool.</li> </ol>	<ol style="list-style-type: none"> <li>1. Clean the terminals on the battery and the tool. Then apply dielectric grease to the battery terminals; do not use any other type of lubricant as it can damage the terminals.</li> </ol>

<b>Problem</b>	<b>Possible Cause</b>	<b>Corrective Action</b>
The machine is producing a beeping sound.	<ol style="list-style-type: none"> <li>1. The battery pack is not charged.</li> <li>2. The machine is in an unsafe position for operation.</li> <li>3. The machine is overloaded.</li> <li>4. There is another electrical problem with the machine.</li> </ol>	<ol style="list-style-type: none"> <li>1. Remove the battery pack from the machine and charge it.</li> <li>2. Ensure that the machine is not at an extreme angle while operating.</li> <li>3. Cut the grass at a higher height of cut or walk at a slower pace while mowing.</li> <li>4. Attempt the other troubleshooting actions, if the alarm still sounds, contact an Authorized Service Dealer.</li> </ol>
The quality of cut is decreased or unsatisfactory.	<ol style="list-style-type: none"> <li>1. The blade is dull.</li> </ol>	<ol style="list-style-type: none"> <li>1. Have the blade sharpened or replaced.</li> </ol>
The machine is cutting unevenly.	<ol style="list-style-type: none"> <li>1. The blade is dull.</li> <li>2. The cutting deck is damaged.</li> </ol>	<ol style="list-style-type: none"> <li>1. Have the blade sharpened or replaced.</li> <li>2. Contact an Authorized Service Dealer.</li> </ol>
The machine is vibrating.	<ol style="list-style-type: none"> <li>1. The blade is bent or damaged.</li> </ol>	<ol style="list-style-type: none"> <li>1. Inspect the blade and replace if necessary.</li> </ol>

## EEA/UK Privacy Notice

### **Toro's Use of Your Personal Information**

The Toro Company ("Toro") respects your privacy. When you purchase our products, we may collect certain personal information about you, either directly from you or through your local Toro company or dealer. Toro uses this information to fulfil contractual obligations - such as to register your warranty, process your warranty claim or to contact you in the event of a product recall - and for legitimate business purposes - such as to gauge customer satisfaction, improve our products or provide you with product information which may be of interest. Toro may share your information with our subsidiaries, affiliates, dealers or other business partners in connection these activities. We may also disclose personal information when required by law or in connection with the sale, purchase or merger of a business. We will never sell your personal information to any other company for marketing purposes.

### **Retention of your Personal Information**

Toro will keep your personal information as long as it is relevant for the above purposes and in accordance with legal requirements. For more information about applicable retention periods please contact [legal@toro.com](mailto:legal@toro.com).

### **Toro's Commitment to Security**

Your personal information may be processed in the US or another country which may have less strict data protection laws than your country of residence. Whenever we transfer your information outside of your country of residence, we will take legally required steps to ensure that appropriate safeguards are in place to protect your information and to make sure it is treated securely.

### **Access and Correction**

You may have the right to correct or review your personal data, or object to or restrict the processing of your data. To do so, please contact us by email at [legal@toro.com](mailto:legal@toro.com). If you have concerns about the way in which Toro has handled your information, we encourage you to raise this directly with us. Please note that European residents have the right to complain to your Data Protection Authority.