



Count on it.

Parts Catalog

**Greensmaster® 3420 TriFlex®
Traction Unit**

Model No. 04540—Serial No. 403421001 and Up



Ordering Replacement Parts

To order replacement parts, please supply the part number, the quantity, and the description of each part desired.

Understanding Reference Numbers

Each identified part in an illustration has a reference number. The reference number for a part also appears in the parts list, along with other information about the part.

This catalog uses two special reference number formats, one to indicate parts in a service assembly and another to indicate the quantity of a given part in an illustration.

Service Assembly Reference Numbers

Parts in service assemblies have reference numbers in the form a:b. The a represents the reference number of the entire service assembly and the b represents a sequential number unique to each part within the service assembly.

For example, a wheel assembly might be identified by reference number 6, the tire by 6:1, the valve by 6:2, and the wheel by 6:3. When you order the assembly identified by reference number 6, you receive all parts identified by reference numbers 6:1, 6:2, and 6:3. However, you may also order any part individually. Reference numbers of this type appear in illustration and in parts lists.

Reference Numbers Indicating Quantity

In an illustration, if a reference number indicates more than one part, the reference number has the form nX y. The n represents the quantity of the part, the X is the multiplication symbol, and the y represents the reference number.

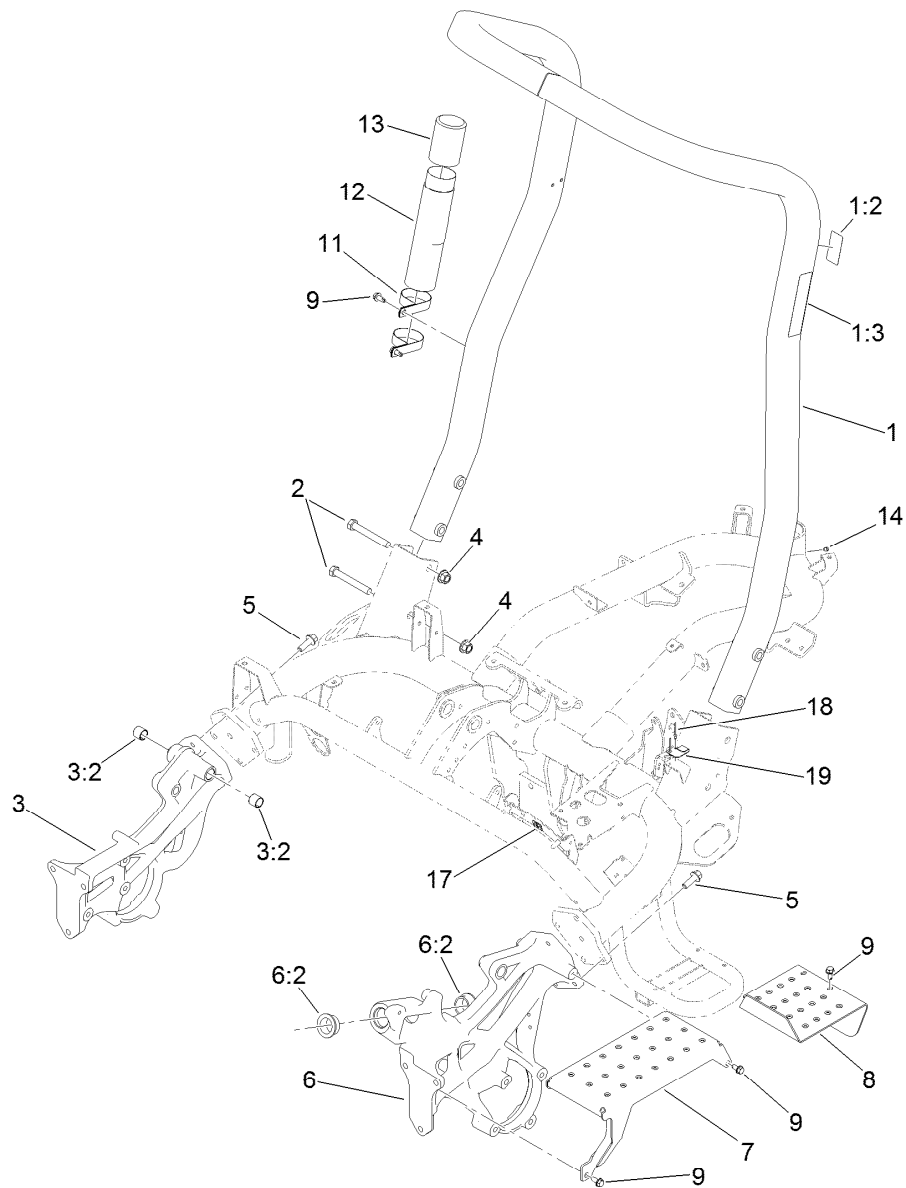
For example, in an illustration, the reference number 2X 37 means that two of the parts identified by reference number 37 are indicated.

Contents

| | |
|---|----|
| Roll-Over Protection System Assembly | 5 |
| Brake Cable Grommet Assembly | 6 |
| Frame Assembly | 7 |
| Platform Assembly | 8 |
| Right Hand Support Platform Assembly | 9 |
| Seatbase Assembly | 10 |
| Steering Arm and Adjuster Assembly | 11 |
| Brake Cable and Lever Assembly | 12 |
| Back Wheel Assembly | 13 |
| Hydraulic Cylinder Assembly No. 117-4480 | 14 |
| Front Wheel Assembly | 15 |
| Right Hand Brake Assembly No. 139-2722 | 16 |
| Left Hand Brake Assembly No. 139-2721 | 17 |
| Left Hand Wheel Motor Assembly No. 117-4303 | 18 |
| Right Hand Wheel Motor Assembly No. 117-4302 | 19 |
| Console and Reel Control Assembly | 20 |
| Traction Interface Control Assembly | 21 |
| Ignition, Throttle and Choke Control Assembly | 22 |
| Console Cable Routing Assembly | 23 |
| Engine and Exhaust Assembly | 24 |
| Radiator, Fuel Pump and Air Cleaner Assembly | 26 |
| Air Cleaner Assembly No. 95-5805 | 27 |
| Radiator, Air Hose and Fuel Line Assembly | 28 |
| Generator and Engine Frame Assembly | 29 |
| Generator/Controller Assembly No. 127-2580 | 30 |
| Generator Assembly No. 127-2579 | 31 |
| Generator Service Assembly No. 127-2578 | 32 |
| Fuel and Hydraulic Tank Assembly | 33 |
| Controller Assembly | 34 |
| Battery Assembly | 35 |
| Wire Harness Assembly | 36 |
| Pump Coupling Assembly | 37 |
| Hydraulic Pump Assembly No. 121-9558 | 38 |
| Neutral Centering Assembly | 40 |
| Traction Drive Hydraulic Line Assembly | 41 |
| Traction Drive Hose Routing Assembly | 42 |
| Lift Circuit Assembly | 43 |
| Steering Valve Assembly No. 114-4672 | 45 |
| Hydraulic Cylinder Assembly No. 119-8129 | 46 |
| Hydraulic Cylinder Assembly No. 119-8128 | 47 |
| Hydraulic Lift Manifold Assembly | 48 |
| Hydraulic Lift Manifold Assembly No. 125-5187 | 49 |
| Steering Circuit Assembly (1) | 50 |
| Steering Circuit Assembly (2) | 51 |
| Hydraulic Gear Pump Assembly No. 114-9958 | 52 |
| Steering Circuit Assembly (3) | 53 |
| Steering Circuit Assembly (4) | 54 |
| Suspension and Basket Assembly | 55 |
| Basket Assembly No. 132-9599 | 56 |
| Suspension Pin Position Assembly | 57 |
| Electric Motor and Bracket Assembly | 58 |
| Electric Reel Motor Assembly No. 127-2450 | 59 |
| Electric Motor Assembly | 60 |
| Electric Mow Battery Assembly | 61 |

Contents (continued)

| | |
|--|----|
| Suspension A-Arm Assembly | 63 |
| Suspension Crossarm Assembly | 64 |
| Crankcase Assembly | 65 |
| Oil Pan, Oil Pump and Dipstick Assembly | 66 |
| Cylinder Head Assembly | 67 |
| Gear Case and Oil Filter Cartridge Assembly | 68 |
| Cylinder Head Cover Assembly | 69 |
| Main Bearing Case Assembly | 70 |
| Camshaft and Idle Gear Shaft Assembly | 71 |
| Piston and Crankshaft Assembly | 72 |
| Fuel Camshaft Assembly | 73 |
| Idle Apparatus and Fuel Pump Cover Assembly | 74 |
| Stop Solenoid and Speed Control Plate Assembly | 75 |
| Injection Pump Assembly | 76 |
| Governor Assembly | 77 |
| Nozzle Holder and Glow Plug Assembly | 78 |
| Nozzle Holder Assembly | 79 |
| Alternator and Pulley Assembly | 82 |
| Alternator Components Assembly | 83 |
| Starter and Flywheel Assembly | 84 |
| Starter Component Assembly | 85 |
| Water Flange and Thermostat Assembly | 86 |
| Water Pump and Water Pipe Assembly | 87 |
| Valve and Rocker Arm Assembly | 88 |
| Inlet and Exhaust Manifold Assembly | 89 |
| Attachments and Accessories | 90 |



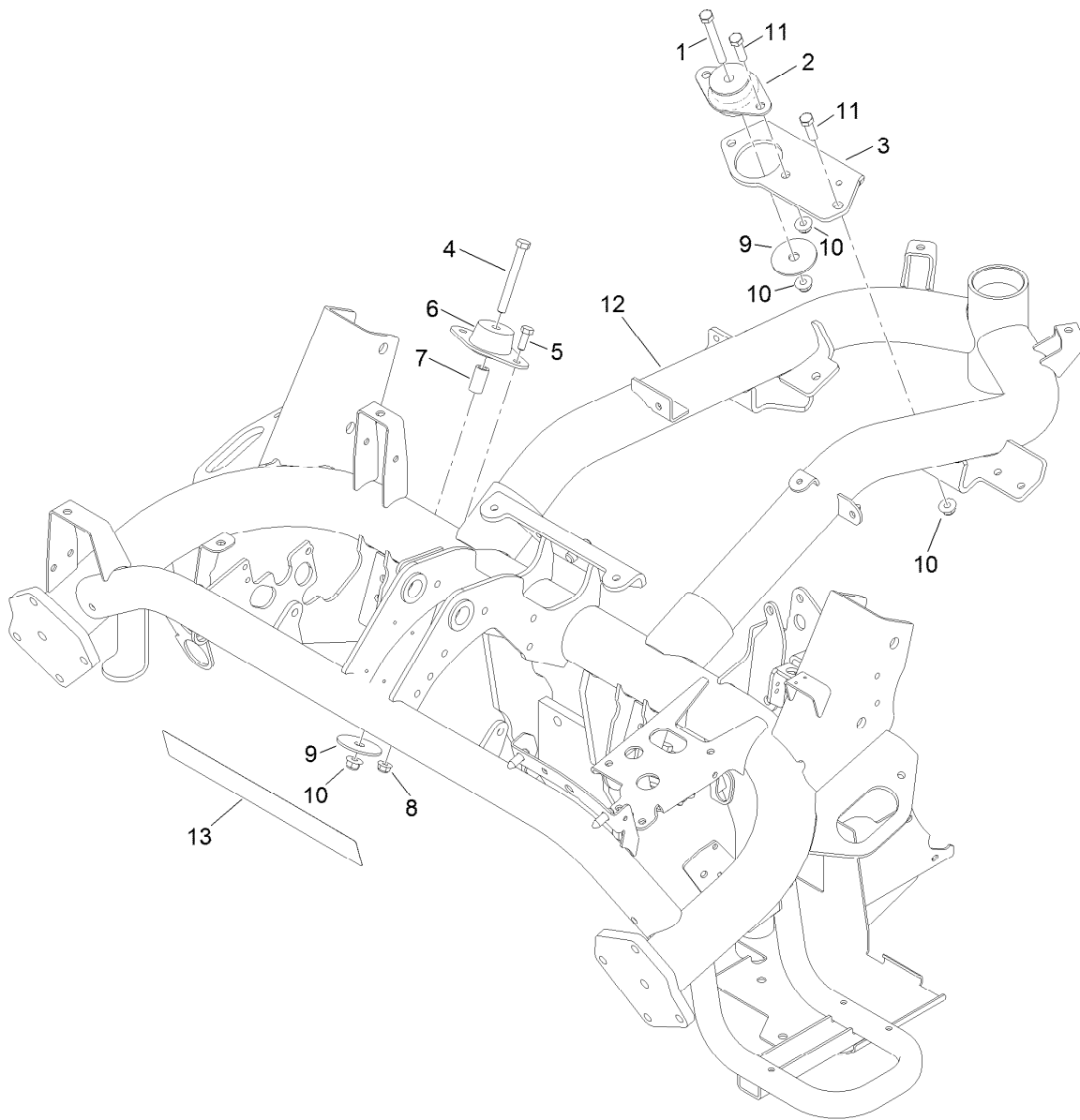
Roll-Over Protection System Assembly

| <i>Ref.</i> | <i>Part Number</i> | <i>Qty.</i> | <i>Description</i> | <i>Ref.</i> | <i>Part Number</i> | <i>Qty.</i> | <i>Description</i> |
|-------------|--------------------|-------------|--------------------|-------------|--------------------|-------------|-----------------------|
| 1 | 115-8206 | 1 | ROPS Assembly | 7 | 117-9051-01 | 1 | Step |
| 1:2 | 115-8199 | 1 | Decal-ROPS | 8 | 119-4468-01 | 1 | Plate-Step |
| 1:3 | 115-8226 | 1 | Decal-ROPS | 9 | 32104-32 | 9 | Screw-HWH |
| 2 | 325-35 | 4 | Screw-HH | 11 | 2412-133 | 2 | Clamp-R |
| 3 | 117-9023 | 1 | Casting-Side, RH | 12 | 104-7050 | 1 | Tube-Manual |
| 3:2 | 94-9609 | 2 | Bushing-Straight | 13 | 104-7048 | 1 | Cap-Housing |
| 4 | 99-5107 | 4 | Nut-Lock | 14 | 302-59 | 1 | Plug-Threaded |
| 5 | 117-9035 | 8 | Screw-HHF | 17 | 119-1730 | 1 | Receptacle-Clip, Mini |
| 6 | 117-9022 | 1 | Casting-Side, LH | 18 | 3269-32 | 2 | Rivet-Pop |
| 6:2 | 60-0080 | 2 | Bushing | 19 | 121-5865 | 1 | Clip-Cover, Back |



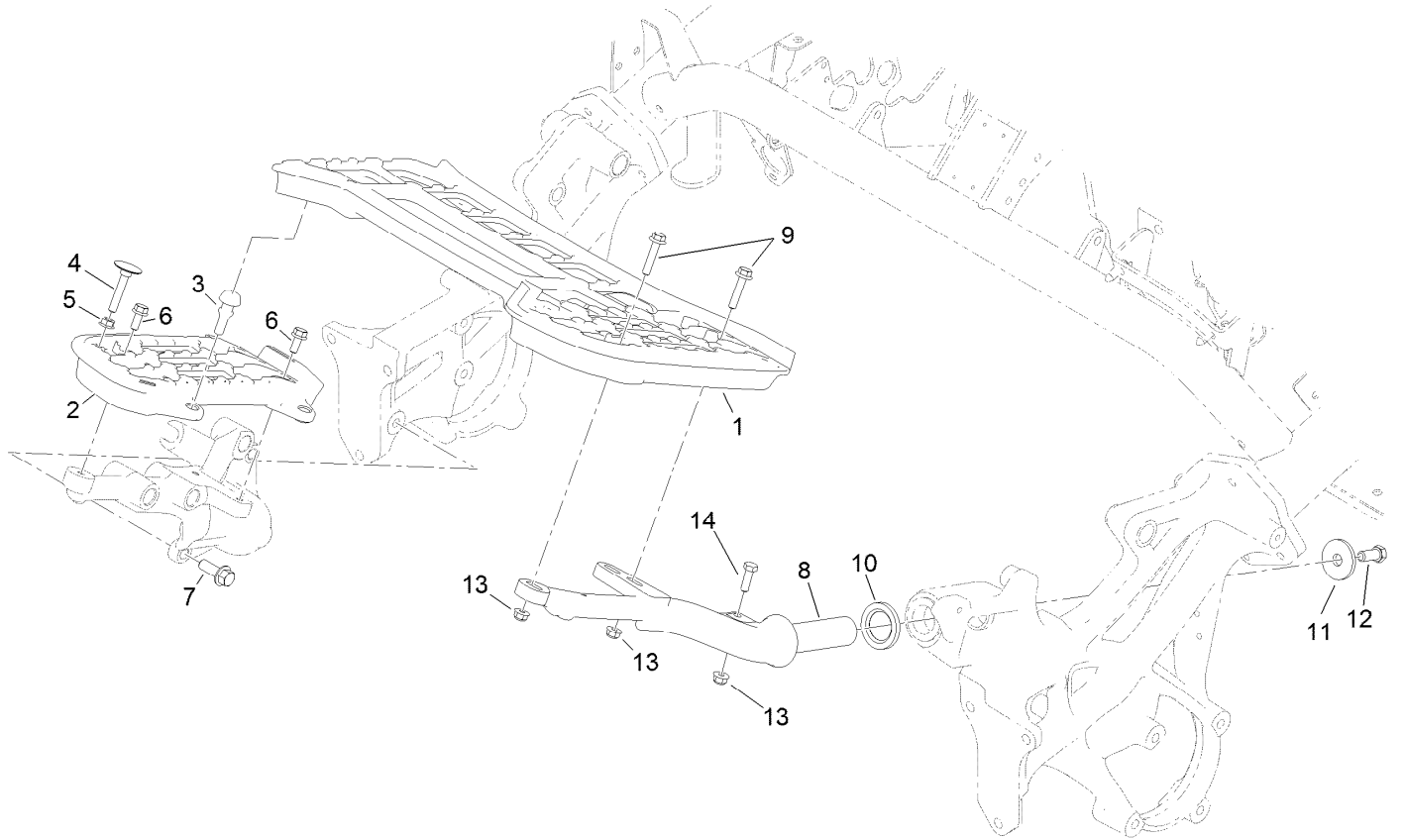
Brake Cable Grommet Assembly

| <i>Ref.</i> | <i>Part Number</i> | <i>Qty.</i> | <i>Description</i> |
|-------------|--------------------|-------------|--------------------|
| 1 | 240-5 | 1 | Grommet |
| 2 | 98-8529 | 3 | Grommet |



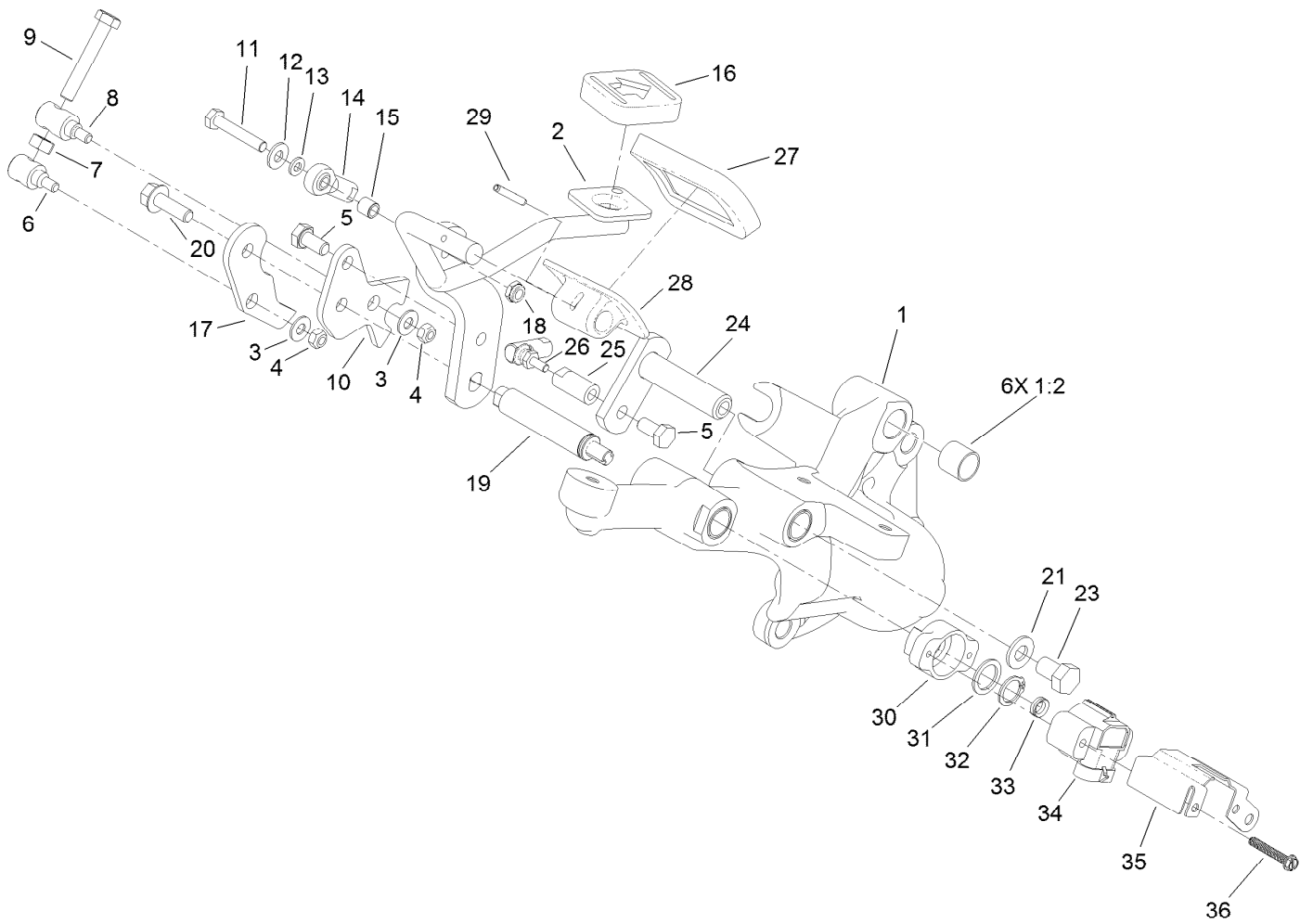
Frame Assembly

| <i>Ref.</i> | <i>Part Number</i> | <i>Qty.</i> | <i>Description</i> |
|-------------|--------------------|-------------|---------------------|
| 1 | 323-14 | 1 | Screw-HH |
| 2 | 131-1821 | 1 | Mount-Engine |
| 3 | 119-2134-01 | 1 | Bracket-Mount, Rear |
| 4 | 323-20 | 2 | Screw-HH |
| 5 | 322-4 | 4 | Screw-HH |
| 6 | 121-9076 | 2 | Mount-Engine |
| 7 | 110-4631 | 2 | Tube-Spacer |
| 8 | 104-8300 | 4 | Nut-HF, NI |
| 9 | 87-5100 | 3 | Washer-Snubbing |
| 10 | 104-8301 | 6 | Nut-HF, NI |
| 11 | 323-7 | 3 | Screw-HH |
| 12 | 133-8900-01 | 1 | Frame |
| 13 | 115-8196 | 1 | Decal |



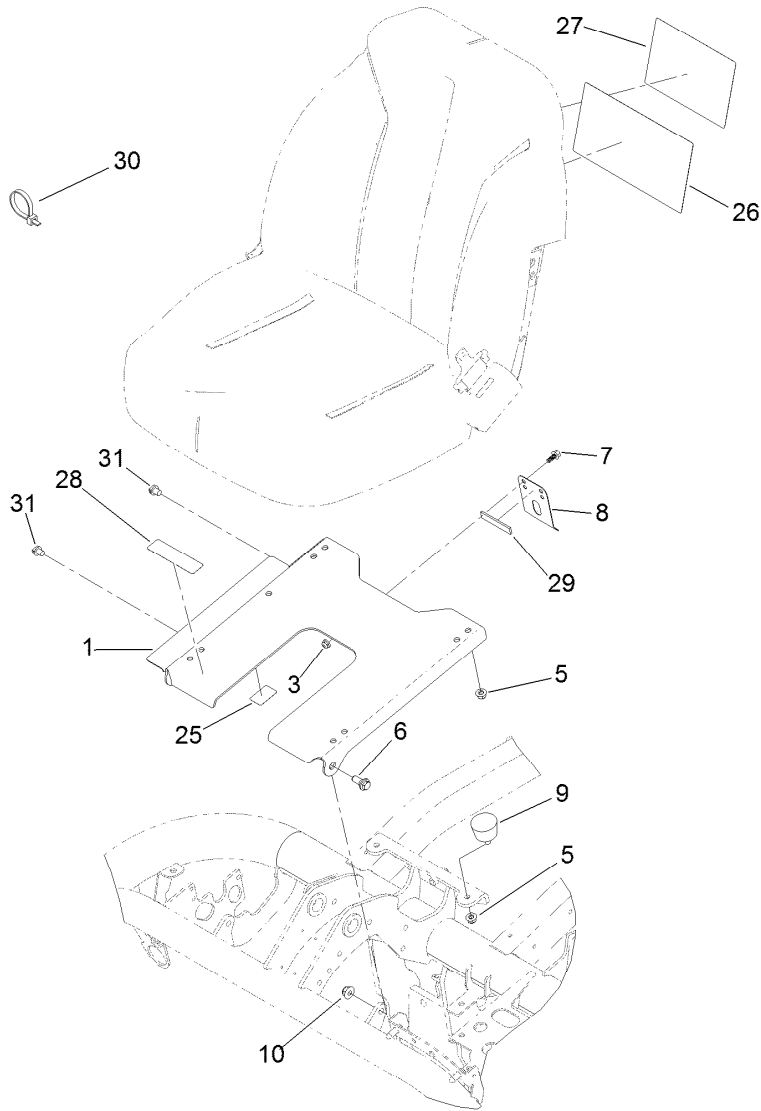
Platform Assembly

| <i>Ref.</i> | <i>Part Number</i> | <i>Qty.</i> | <i>Description</i> |
|-------------|--------------------|-------------|----------------------|
| 1 | 137-7768 | 1 | Platform-LH |
| 2 | 117-9008 | 1 | Platform-RH |
| 3 | 117-9072 | 2 | Bumper-Rubber |
| 4 | 115-8240 | 1 | Screw-Elevator |
| 5 | 32128-20 | 1 | Nut-HF |
| 6 | 3234-47 | 3 | Screw-HHF |
| 7 | 117-9035 | 3 | Screw-HHF |
| 8 | 117-9006-01 | 1 | Support-Platform, LH |
| 9 | 115-1794 | 3 | Screw-HHF |
| 10 | 94-8946 | 1 | Washer-Thrust |
| 11 | 84-1560 | 1 | Washer-Thrust |
| 12 | 324-4 | 1 | Screw-HH |
| 13 | 104-8300 | 4 | Nut-HF, NI |
| 14 | 322-5 | 1 | Screw-HH |



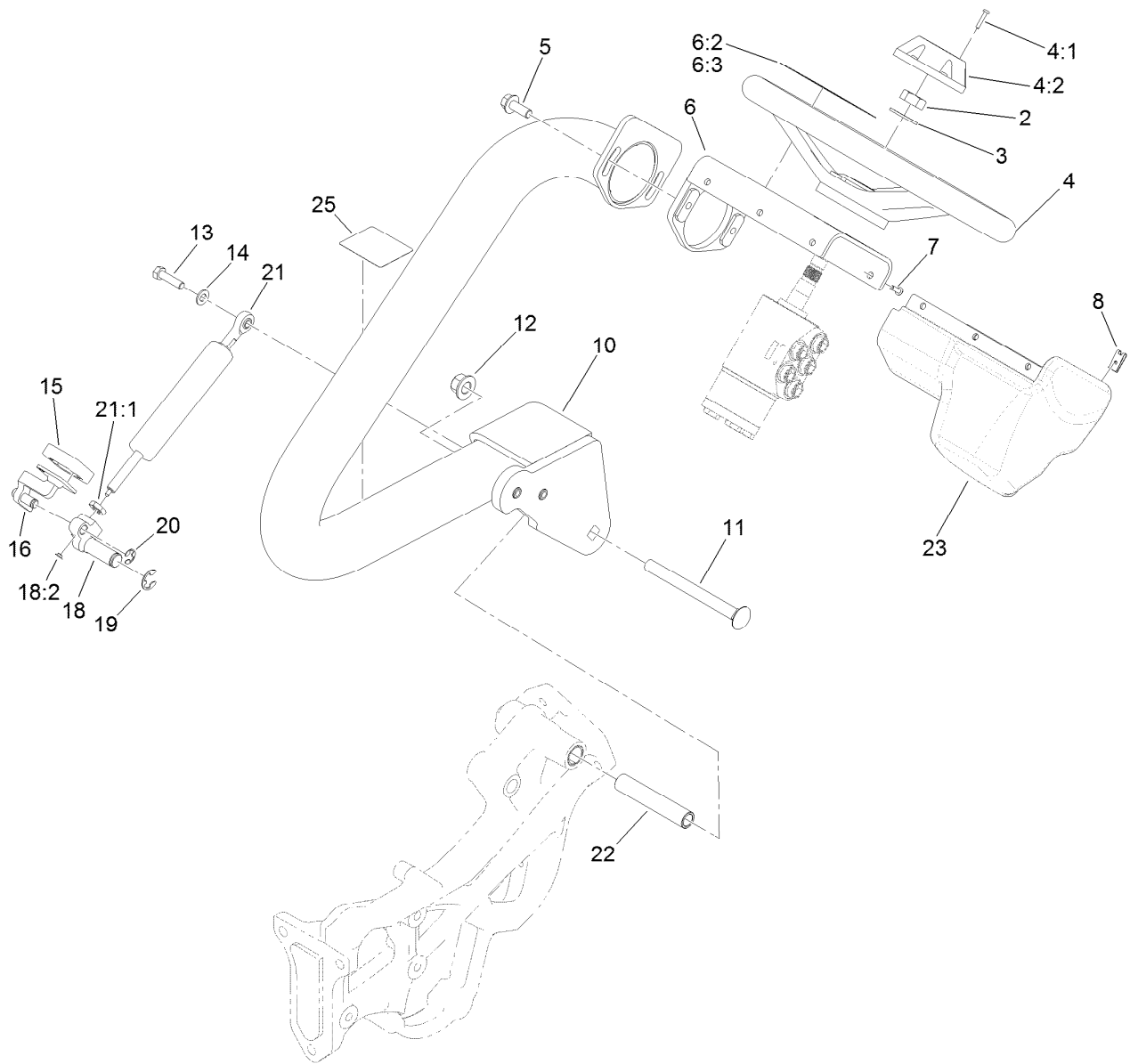
Right Hand Support Platform Assembly

| <i>Ref.</i> | <i>Part Number</i> | <i>Qty.</i> | <i>Description</i> | <i>Ref.</i> | <i>Part Number</i> | <i>Qty.</i> | <i>Description</i> |
|-------------|--------------------|-------------|------------------------|-------------|--------------------|-------------|--------------------|
| 1 | 133-2313 | 1 | Support-Platform, RH | 18 | 3296-56 | 1 | Nut-Lock, NI |
| 1:2 | 256-311 | 6 | Bushing-Split | 19 | 131-3177 | 1 | Shaft-Pedal |
| 2 | 131-3179-01 | 1 | Pedal-Traction | 20 | 3234-29 | 1 | Screw-HHF |
| 3 | 3256-1 | 2 | Washer-Flat | 21 | 3256-24 | 1 | Washer-Flat |
| 4 | 33023-00 | 2 | Nut-Lock | 23 | 33115-016 | 1 | Screw-HH |
| 5 | 33114-016 | 2 | Screw-HH | 24 | 94-1300 | 1 | Lock-Neutral |
| 6 | 94-1374 | 1 | Trunnion-Bracket, Mow | 25 | 94-1386 | 1 | Shaft-Pedal |
| 7 | 33014-00 | 1 | Nut-Hex | 26 | 2411-38 | 1 | Joint-Ball |
| 8 | 94-1375 | 1 | Trunnion-Bracket, Lock | 27 | 74-9100 | 1 | Pad-Pedal, Forward |
| 9 | 94-3489 | 1 | Screw-HH | 28 | 117-9507 | 1 | Pedal-Accelerator |
| 10 | 131-3181 | 1 | Bracket-Lock | 29 | 32121-45 | 1 | Pin-Spring |
| 11 | 321-9 | 1 | Screw-HH | 30 | 131-3178 | 1 | Adaptor-Sensor |
| 12 | 3256-22 | 1 | Washer-Flat | 31 | 7-3590 | 1 | Washer |
| 13 | 33093-00 | 1 | Washer-Flat | 32 | 32151-62 | 1 | Ring-Retaining |
| 14 | 2411-41 | 1 | Rod End-Ball Joint | 33 | 131-3187 | 1 | Seal-V-Ring |
| 15 | 99-3545 | 1 | Spacer | 34 | 122-0055 | 1 | Sensor Position |
| 16 | 74-9110 | 1 | Pad-Pedal, Reverse | 35 | 131-3184 | 1 | Shield-Sensor |
| 17 | 131-3182 | 1 | Bracket-Mow | 36 | 692501 | 2 | Screw-SHWH |



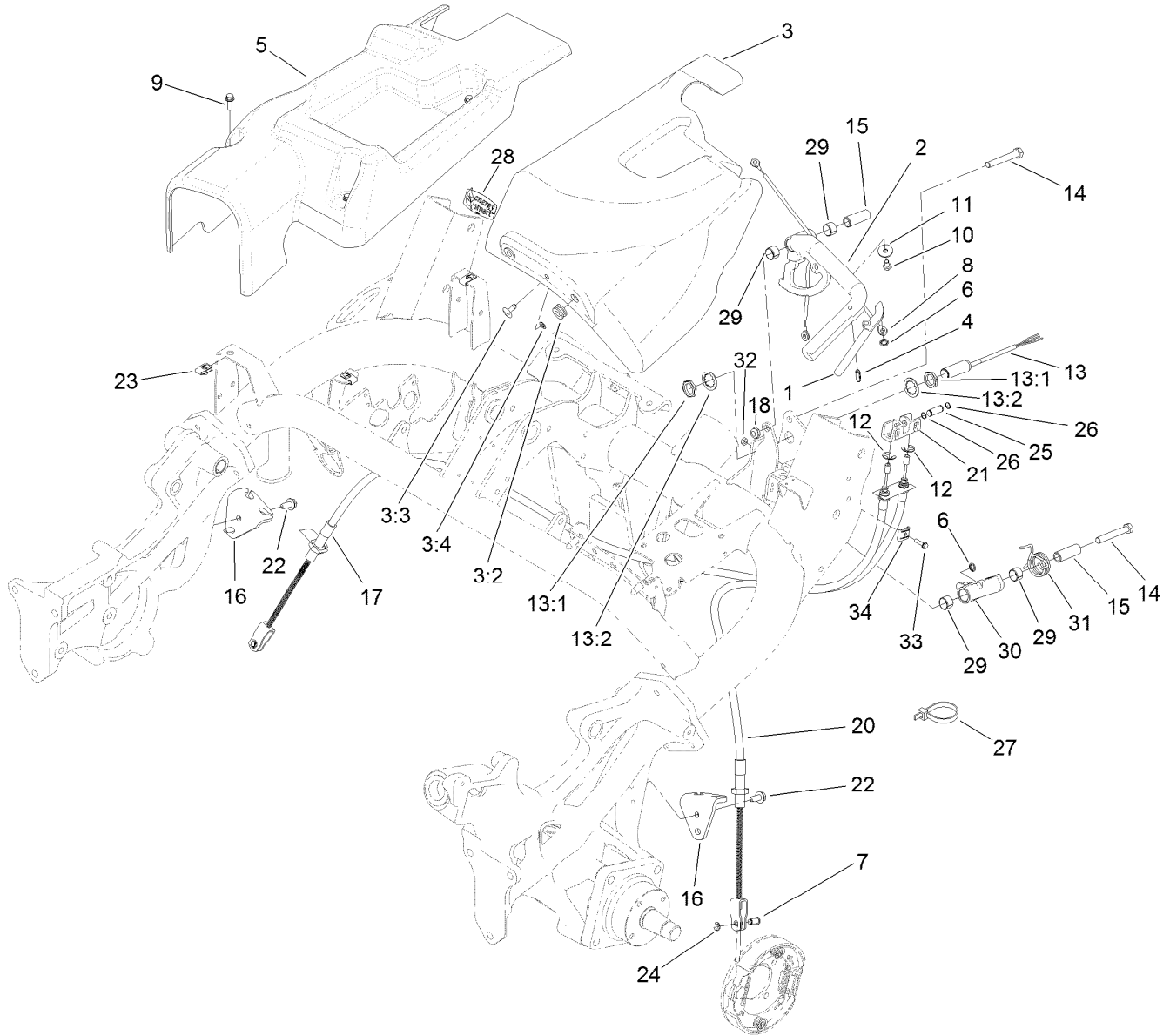
Seatbase Assembly

| <i>Ref.</i> | <i>Part Number</i> | <i>Qty.</i> | <i>Description</i> | <i>Ref.</i> | <i>Part Number</i> | <i>Qty.</i> | <i>Description</i> |
|-------------|--------------------|-------------|--------------------------------------|-------------|--------------------|-------------|---------------------------|
| 1 | 136-8405-03 | 1 | Plate-Seat | 26 | 115-8173 | 2 | Decal, Service, Swedish |
| 3 | 104-7201 | 2 | Nut-HF | 26 | 115-8174 | 1 | Decal-Service, Italian |
| 5 | 104-8300 | 2 | Nut-HF, NI | 26 | 115-8175 | 1 | Decal-Service, Portuguese |
| 6 | 94-7582 | 2 | Bolt-Shoulder | 26 | 115-8176 | 1 | Decal-Service, Norwegian |
| 7 | 99-6810 | 2 | Screw-HHF | 26 | 115-8177 | 1 | Decal-Service, Finnish |
| 8 | 66-2630 | 1 | Latch-Seat | 26 | 115-8178 | 1 | Decal-Service, Danish |
| 9 | 68-3270 | 2 | Bumper-Rubber | 26 | 115-8179 | 1 | Decal-Service, Dutch |
| 10 | 104-8301 | 2 | Nut-HF, NI | 26 | 115-8180 | 1 | Decal-Service, Japanese |
| 25 | 115-8203 | 1 | Decal-Reference, Fuse (Radiator Fan) | 27 | 115-8156 | 1 | Decal-Speed, Clip |
| 26 | 115-8170 | 1 | Decal-Service, Spanish | 28 | 133-8062 | 1 | Decal-Arrestor, Spark |
| 26 | 115-8171 | 1 | Decal-Service, French | 29 | 120-5753 | 1 | Strip-Foam |
| 26 | 115-8172 | 1 | Decal-Service, German | 30 | 3290-379 | 2 | Tie-Cable |
| | | | | 31 | 32180-030 | 2 | Clip-Tie |



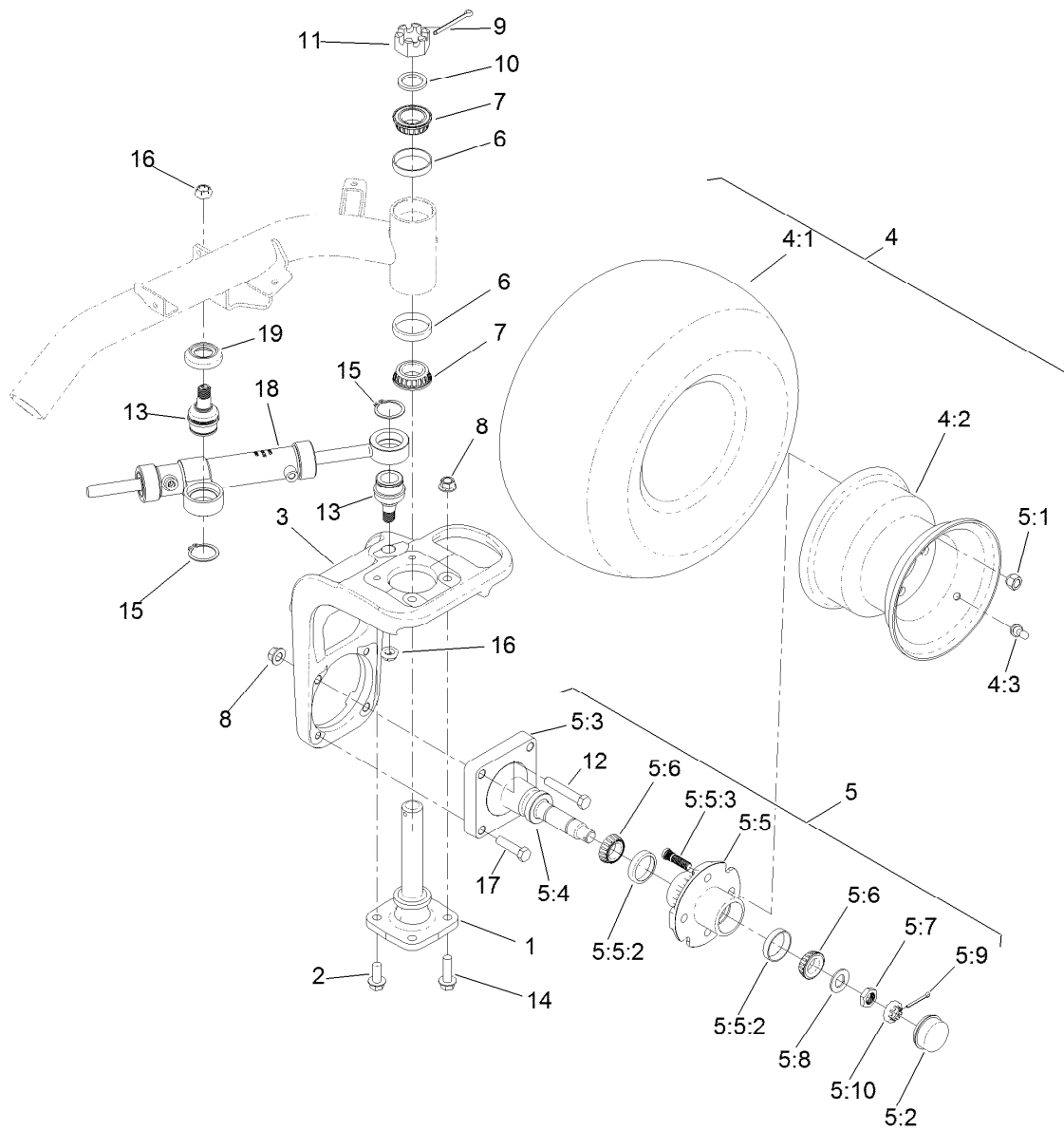
Steering Arm and Adjuster Assembly

| <i>Ref.</i> | <i>Part Number</i> | <i>Qty.</i> | <i>Description</i> | <i>Ref.</i> | <i>Part Number</i> | <i>Qty.</i> | <i>Description</i> |
|-------------|--------------------|-------------|---------------------|-------------|--------------------|-------------|-----------------------|
| 2 | 3296-33 | 1 | Nut-Lock, NI | 13 | 322-47 | 1 | Screw-HH |
| 3 | 3256-27 | 1 | Washer-Flat | 14 | 3256-23 | 1 | Washer-Plain |
| 4 | 75-0560 | 1 | Steering Wheel ASM | 15 | 74-9110 | 1 | Pad-Pedal, Reverse |
| 4:1 | 32144-21 | 1 | Screw | 16 | 117-4457 | 1 | Lever |
| 4:2 | 68-5140 | 1 | Cap-Wheel, Steering | 18 | 133-9030 | 1 | Pivot Lever ASM |
| 5 | 3234-42 | 2 | Screw-HHF | 18:2 | 133-8995 | 1 | Bushing |
| 6 | 136-8571 | 1 | Mount-Steering | 19 | 32120-19 | 1 | E-Ring |
| 6:2 | 136-8505 | 1 | Decal-Danger, CE | 20 | 105-7004 | 1 | E-Ring |
| 6:3 | 136-8506 | 1 | Decal-Danger | 21 | 133-9036 | 1 | Cylinder-Gas |
| 7 | 3274-39 | 6 | Screw-HSBH | 21:1 | 112-8617 | 1 | Nut-Hex |
| 8 | 3290-277 | 6 | Nut-Speed | 22 | 117-9002 | 1 | Spacer |
| 10 | 117-4444-01 | 1 | Arm-Steering | 23 | 119-9300 | 1 | Cover-Valve, Steering |
| 11 | 325-22 | 1 | Screw-HH | 25 | 119-9346 | 1 | Decal-Arm, Steering |
| 12 | 99-5107 | 1 | Nut-Lock | | | | |



Brake Cable and Lever Assembly

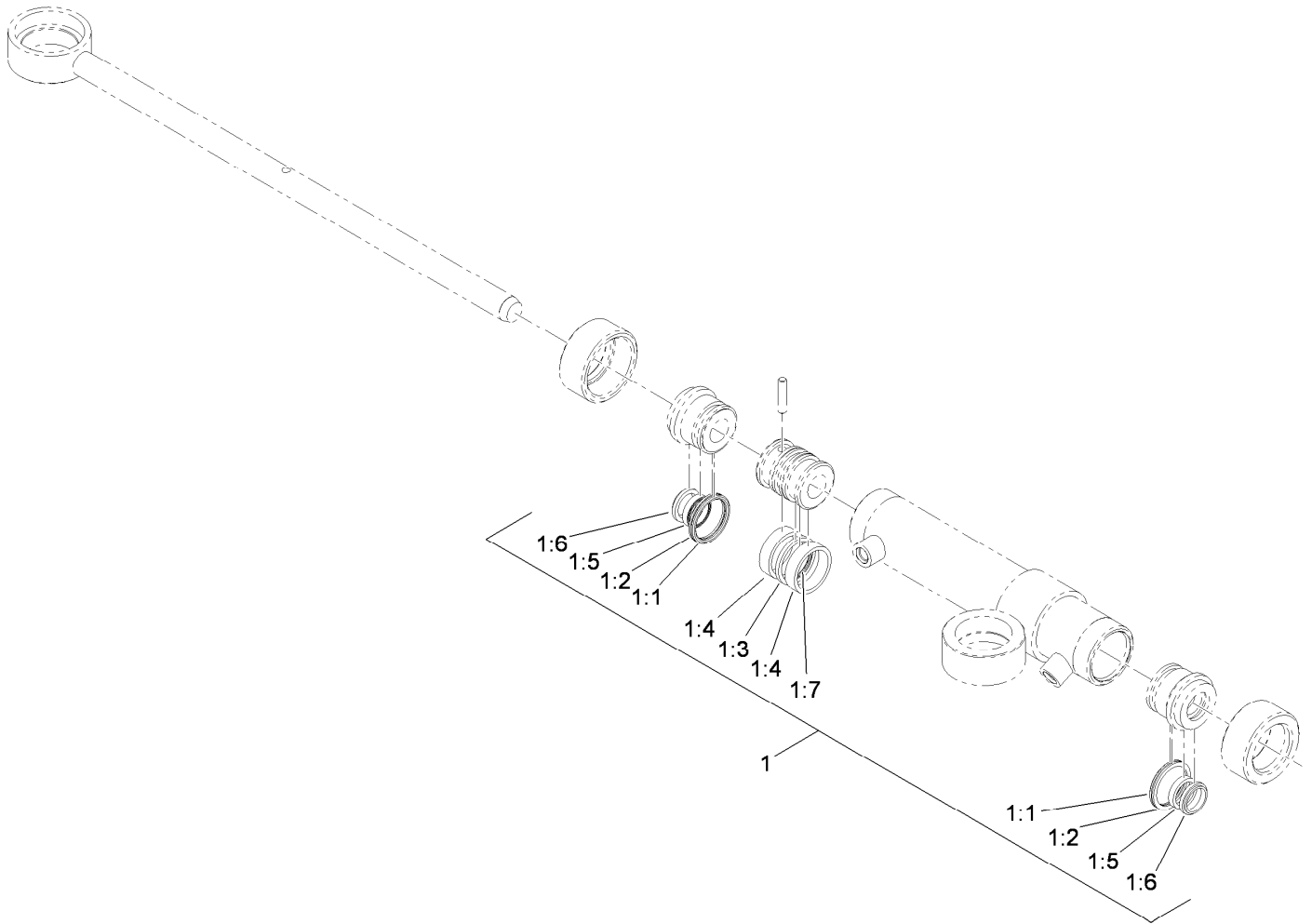
| Ref. | Part Number | Qty. | Description | Ref. | Part Number | Qty. | Description |
|------|-------------|------|-----------------------------|------|-------------|------|----------------------|
| 1 | 131-3003 | 1 | Lever-Release | 15 | 131-3017 | 2 | Spacer |
| 2 | 131-3024 | 1 | Lever-Brake, Hand | 16 | 133-8901 | 2 | Bracket-Cable, Brake |
| 3 | 131-3025 | 1 | LH Cover ASM | 17 | 131-1833 | 1 | Cable-Brake, RH |
| 3:2 | 119-1728 | 1 | Stud-1/4 Turn | 18 | 3296-59 | 2 | Nut-Lock, NI |
| 3:3 | 119-1729 | 1 | Retainer-Stud | 20 | 131-1834 | 1 | Cable-Brake, LH |
| 3:4 | 92-5972 | 2 | Grommet-Rubber | 21 | 131-3065 | 1 | Equalizer-Cable |
| 4 | 32121-24 | 1 | Pin-Spring | 22 | 32104-32 | 4 | Screw-HWH |
| 5 | 138-5029 | 1 | Cover-Side, RH | 23 | 107069 | 3 | Clip |
| 6 | 104-8310 | 2 | Ring-Retaining | 24 | 701197 | 2 | E-Ring |
| 7 | 109-6887 | 2 | Pin-Clevis | 25 | 131-3021 | 1 | Pin |
| 8 | 131-3004 | 1 | Cable | 26 | 32120-46 | 2 | Ring-Retaining |
| 9 | 115-5103 | 3 | Screw-HHF | 27 | 3290-379 | 1 | Tie-Cable |
| 10 | 321-2 | 1 | Screw-HH | 28 | 119-7580 | 1 | Decal-Smart, Energy |
| 11 | 3256-67 | 1 | Washer | 29 | 1-653600 | 4 | Bushing |
| 12 | 32120-47 | 2 | Ring-Retaining, External | 30 | 131-3058 | 1 | Pawl-Brake |
| 13 | 115-5300 | 1 | Proximity Switch ASM | 31 | 132-3833 | 1 | Spring-Torsion |
| 13:1 | 117-3207 | 2 | Nut-Hex | 32 | 3296-2 | 1 | Nut-Lock, NI |
| 13:2 | 117-3208 | 2 | Washer-Lock, Internal Tooth | 33 | 3290-126 | 1 | Screw-HWH |
| 14 | 323-12 | 2 | Screw-HH | 34 | 81-1690 | 1 | Clamp-Cable |



Back Wheel Assembly

| Ref. | Part Number | Qty. | Description | Ref. | Part Number | Qty. | Description |
|-------|-------------|------|----------------------|------|-------------|------|--------------------------|
| 1 | 115-2657 | 1 | Spindle-Steering | 5:8 | 117-8259 | 1 | Washer-Spindle |
| 2 | 3234-38 | 2 | Screw-HHF | 5:9 | 3272-18 | 1 | Pin-Cotter |
| 3 | 117-4366-01 | 1 | Base-Fork, Rear | 5:10 | 93-0307 | 1 | Nut-Lock, Retainer |
| 4 | | 1 | Wheel And Tire ASM ● | 6 | 115-9471 | 2 | Bearing-Cup |
| 4:1 | 120-2783 | 1 | Tire | 7 | 115-9472 | 2 | Bearing-Cone And Seal |
| 4:2 | 217-60 | 1 | Rim | 8 | 99-5107 | 4 | Nut-Lock |
| 4:3 | 232-27 | 1 | Stem-Valve | 9 | 3272-37 | 1 | Pin-Cotter |
| 5 | 119-4490 | 1 | Wheel Spindle ASM | 10 | 18-6320 | 1 | Washer-Steering |
| 5:1 | 242-50 | 4 | Nut-Lug | 11 | 32136-9 | 1 | Nut-Hex, Slotted |
| 5:2 | 241-119 | 1 | Cap-Dust | 12 | 325-12 | 2 | Screw-HH |
| 5:3 | 112-7173 | 1 | Spindle | 13 | 121-3605 | 2 | Ball Joint |
| 5:4 | 112-1690 | 1 | Seal-Oil | 14 | 3234-22 | 2 | Screw-HHF |
| 5:5 | 117-9093 | 1 | Hub ASM | 15 | 32151-104 | 2 | Ring-Retaining, External |
| 5:5:2 | 254-72 | 2 | Bearing-Cup, Tapered | 16 | 121-3611 | 2 | Nut-Hex, Flextop |
| 5:5:3 | 114-3918 | 4 | Stud-Wheel | 17 | 325-8 | 2 | Screw-HH |
| 5:6 | 254-92 | 2 | Cone-Bearing, Outer | 18 | 117-4480 | 1 | HYD Cylinder ASM |
| 5:7 | 117-8260 | 1 | Nut | 19 | 120-2026 | 1 | Spacer-Cylinder |

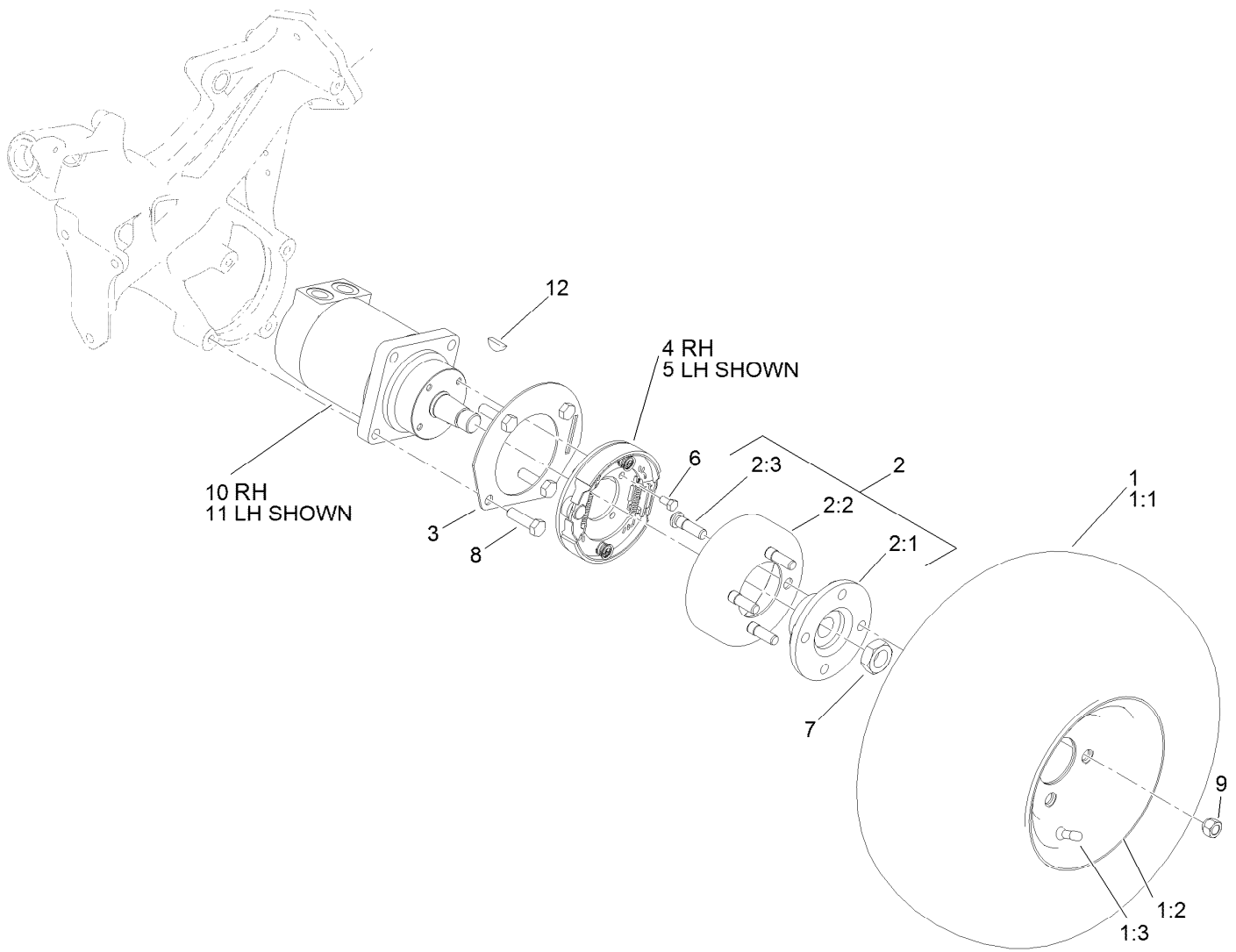
● Not serviced separately



Hydraulic Cylinder Assembly No. 117-4480

| <i>Ref.</i> | <i>Part Number</i> | <i>Qty.</i> | <i>Description</i> |
|-------------|--------------------|-------------|--------------------|
| 1 | 119-7124 | 1 | Kit-Seal |
| 1:1 | | 2 | O-Ring ● |
| 1:2 | | 2 | Ring-Backup ● |
| 1:3 | | 1 | Seal-Psp ● |
| 1:4 | | 2 | Ring-Wear ● |
| 1:5 | | 2 | Seal-Bs ● |
| 1:6 | | 2 | Seal-Dust ● |
| 1:7 | | 1 | O-Ring ● |

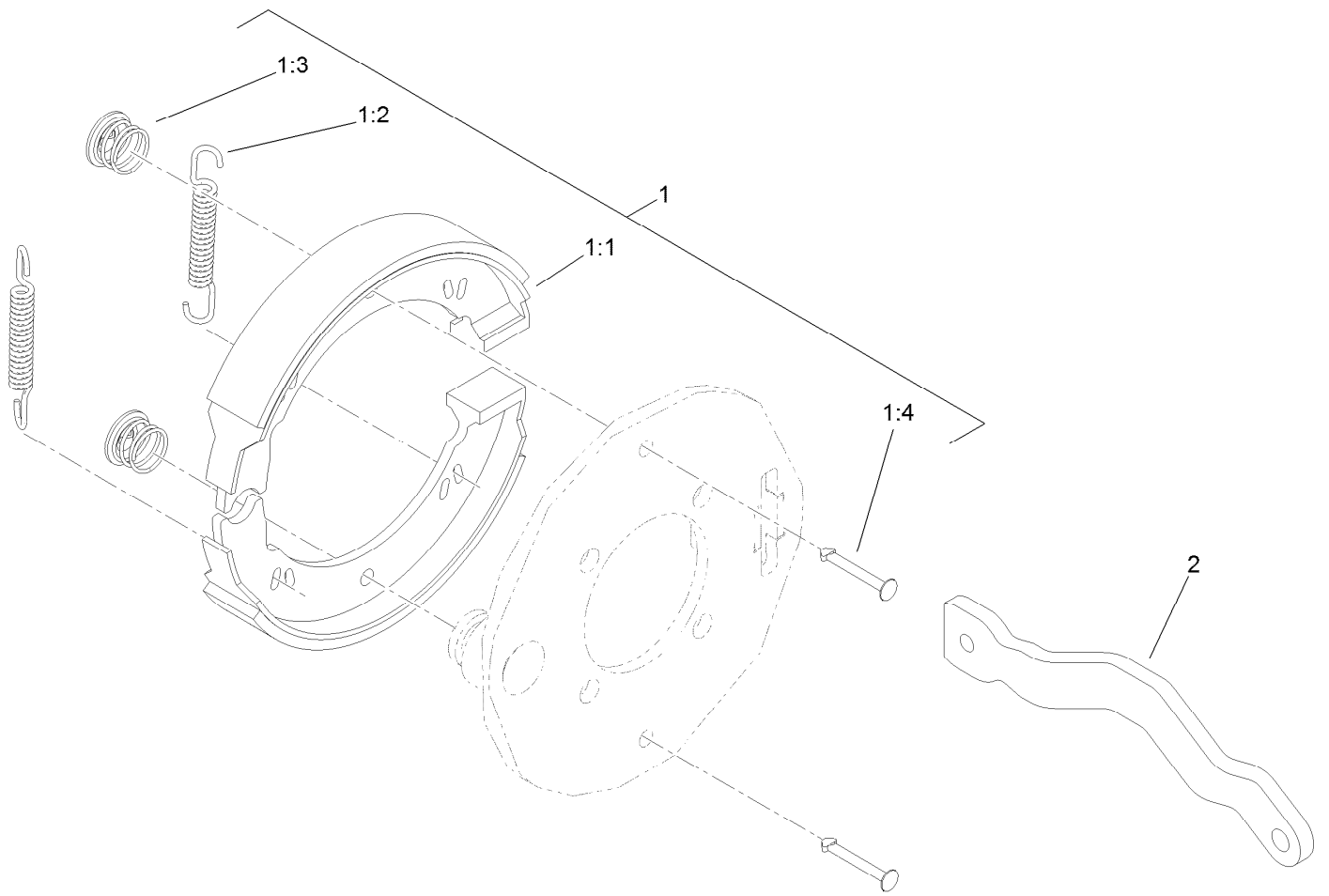
● Not serviced separately



Front Wheel Assembly

| Ref. | Part Number | Qty. | Description | Ref. | Part Number | Qty. | Description |
|------|-------------|------|----------------------|------|-------------|------|--------------------|
| 1 | | 2 | Wheel And Tire ASM ● | 4 | 139-2722 | 1 | RH Brake ASM |
| 1:1 | 120-2783 | 1 | Tire | 5 | 139-2721 | 1 | LH Brake ASM |
| 1:2 | 117-9032 | 1 | Rim | 6 | 322-2 | 8 | Screw-HH |
| 1:3 | 232-27 | 1 | Stem-Valve | 7 | 26-3790 | 2 | Nut-Lock |
| 2 | 115-2661 | 2 | Brake Drum ASM | 8 | 325-7 | 8 | Screw-HH |
| 2:1 | 115-2662-03 | 1 | Hub-Wheel | 9 | 242-50 | 8 | Nut-Lug |
| 2:2 | 115-2663 | 1 | Drum-Brake | 10 | 117-4302 | 1 | RH Wheel Motor ASM |
| 2:3 | 85-6540 | 4 | Stud-Drive | 11 | 117-4303 | 1 | LH Wheel Motor ASM |
| 3 | 114-9998-03 | 2 | Tab-Lever, Brake | 12 | 3257-42 | 1 | Key-Woodruff |

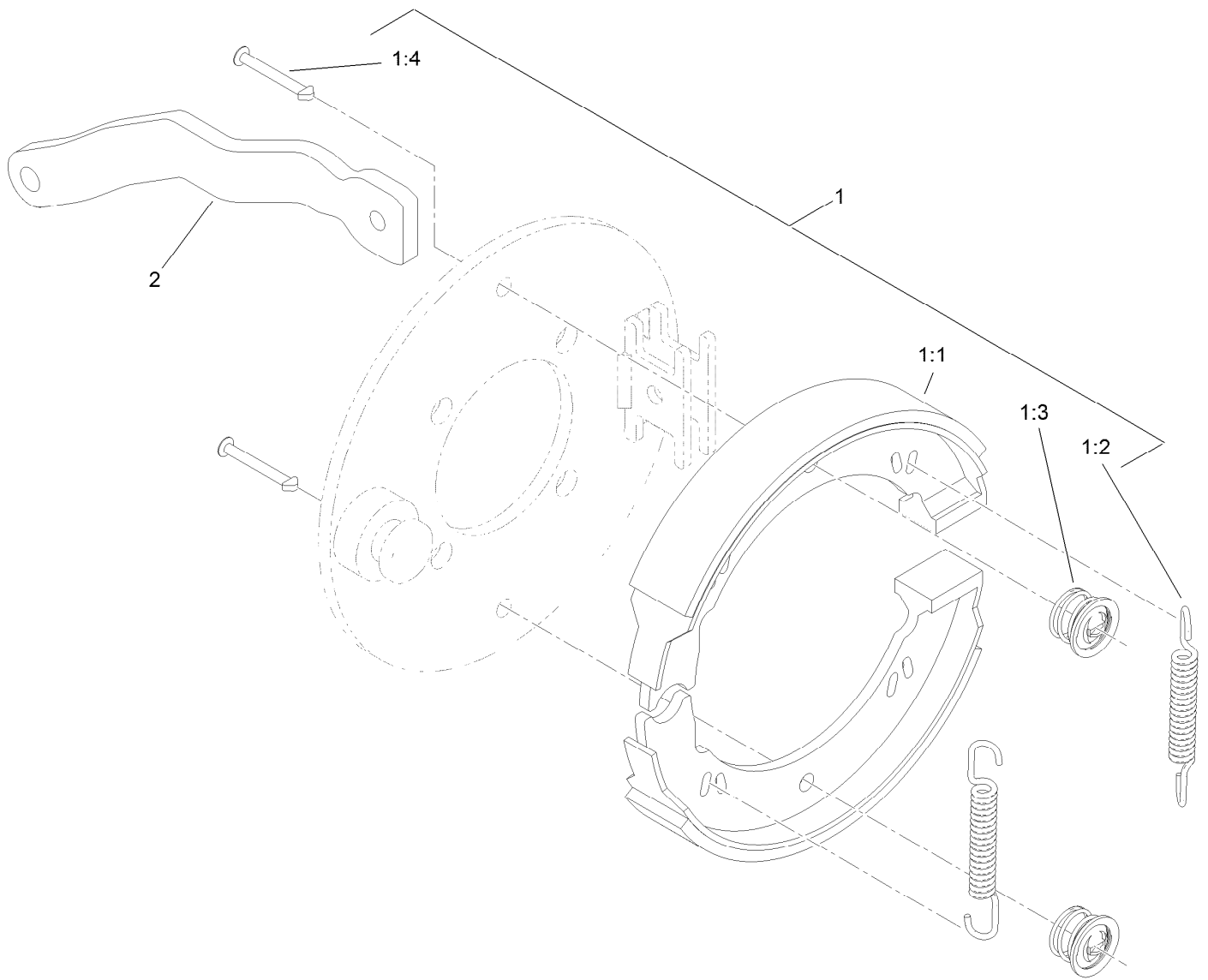
● Not serviced separately



Right Hand Brake Assembly No. 139-2722

| Ref. | Part Number | Qty. | Description |
|------|-------------|------|-----------------|
| 1 | 139-2723 | 1 | Kit-Brake |
| 1:1 | | 2 | Shoe-Brake ● |
| 1:2 | | 2 | Spring ● |
| 1:3 | | 2 | Clip ● |
| 1:4 | | 2 | Pin-Retainer ● |
| 2 | 115-5789 | 1 | Lever-Brake, RH |

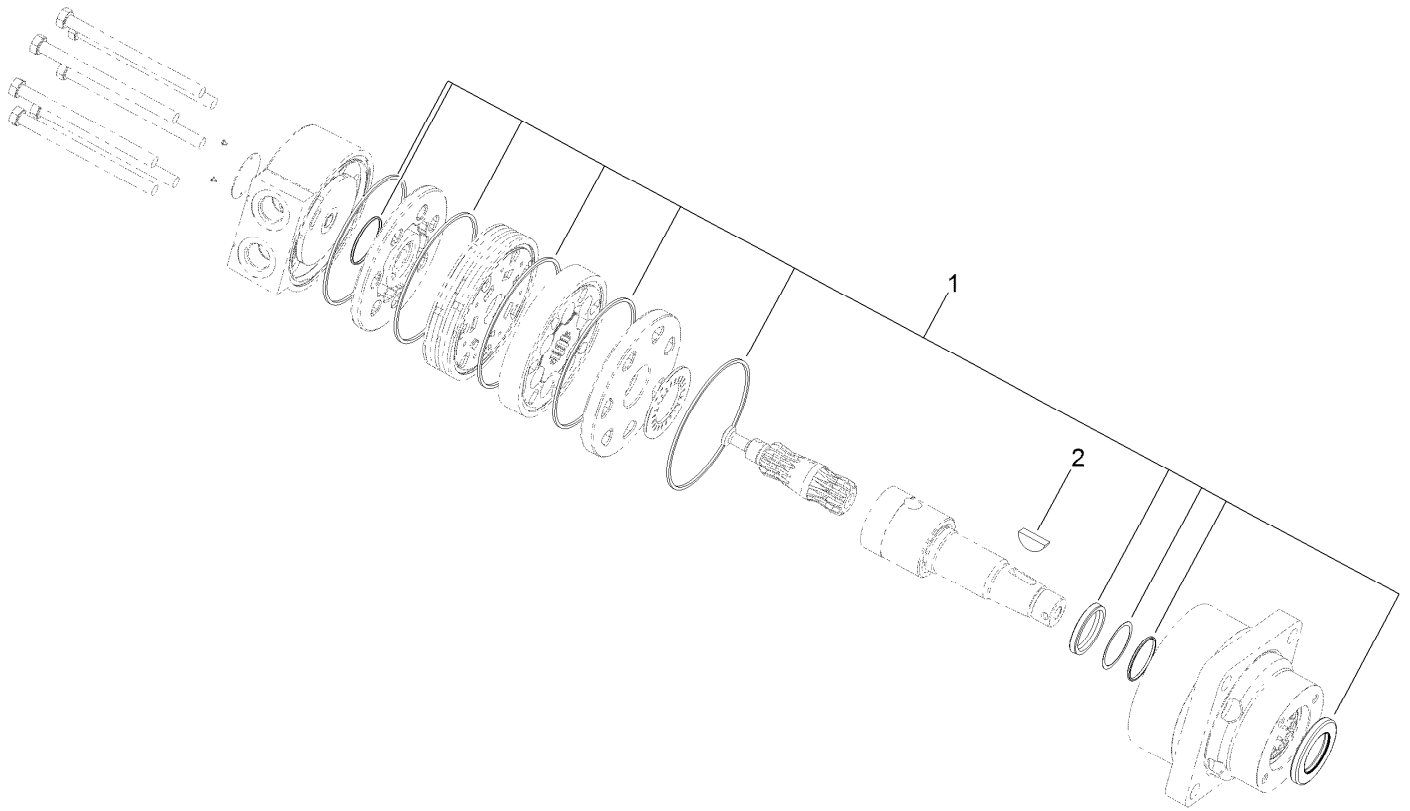
● Not serviced separately



Left Hand Brake Assembly No. 139-2721

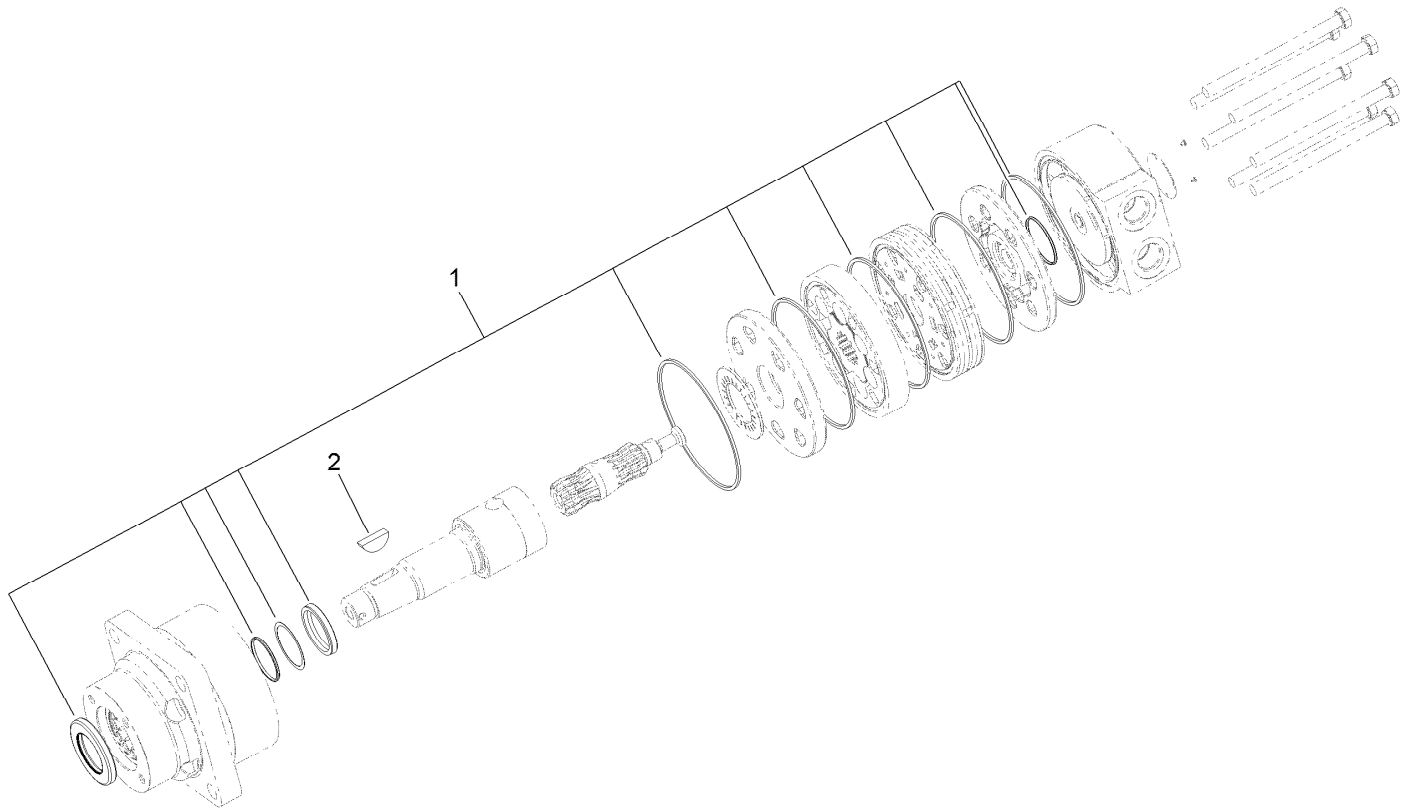
| Ref. | Part Number | Qty. | Description |
|------|-------------|------|-----------------|
| 1 | 139-2723 | 1 | Kit-Brake |
| 1:1 | | 2 | Shoe-Brake ● |
| 1:2 | | 2 | Spring ● |
| 1:3 | | 2 | Clip ● |
| 1:4 | | 2 | Pin-Retainer ● |
| 2 | 115-2664 | 1 | Lever-Brake, LH |

● Not serviced separately



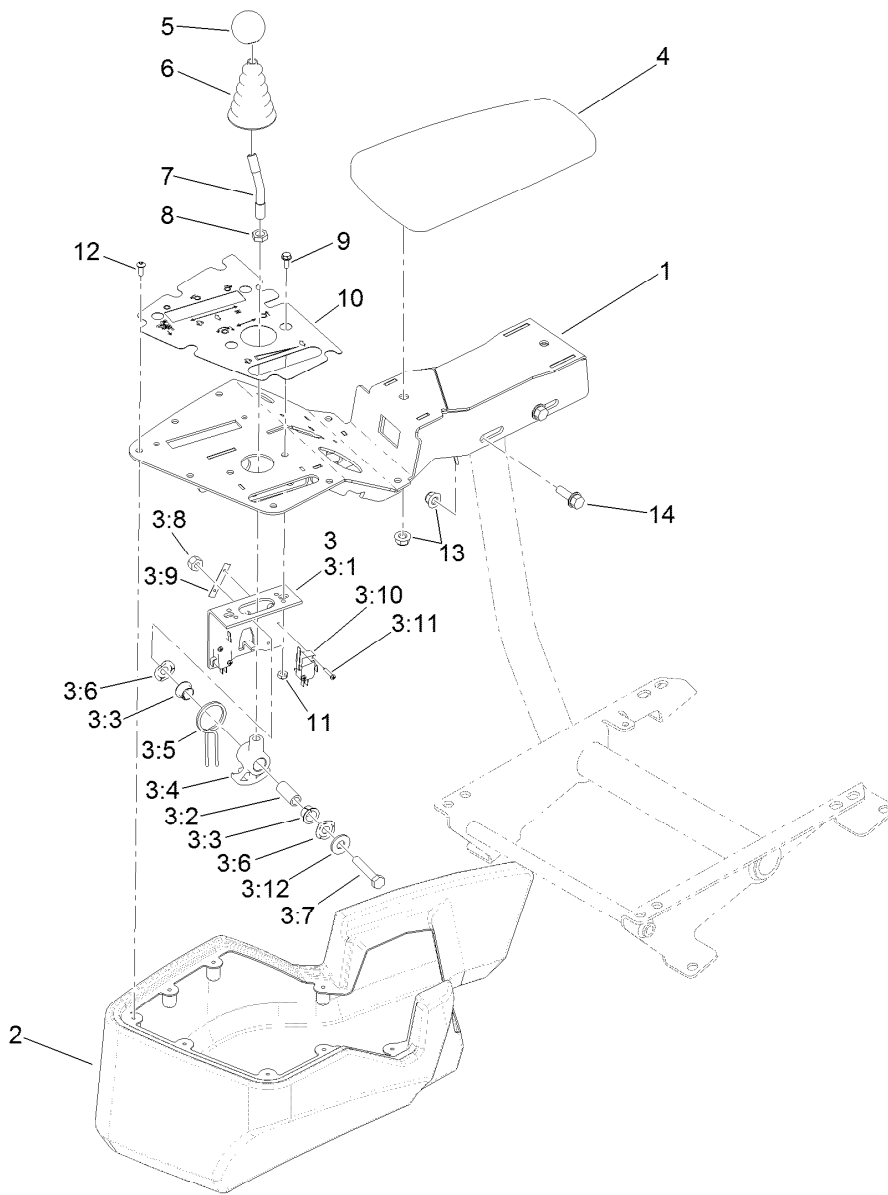
Left Hand Wheel Motor Assembly No. 117-4303

| <i>Ref.</i> | <i>Part Number</i> | <i>Qty.</i> | <i>Description</i> |
|-------------|--------------------|-------------|--------------------|
| 1 | 94-8178 | 1 | Seal Kit |
| 2 | 3257-42 | 1 | Key-Woodruff |



Right Hand Wheel Motor Assembly No. 117-4302

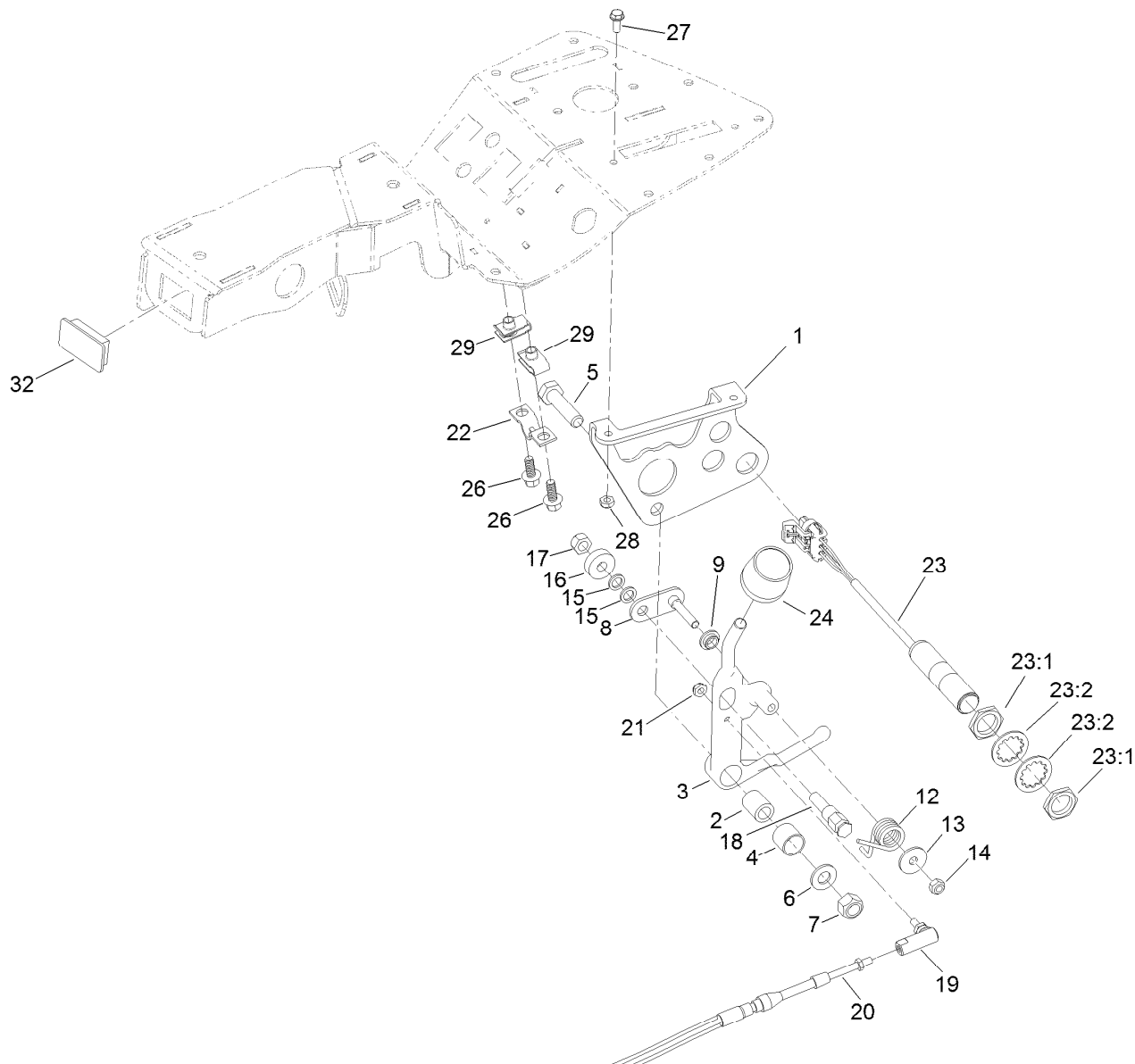
| <i>Ref.</i> | <i>Part Number</i> | <i>Qty.</i> | <i>Description</i> |
|-------------|--------------------|-------------|--------------------|
| 1 | 94-8178 | 1 | Seal Kit |
| 2 | 3257-42 | 1 | Key-Woodruff |



Console and Reel Control Assembly

| Ref. | Part Number | Qty. | Description |
|------|-------------|------|-----------------------|
| 1 | 132-9539-03 | 1 | Console |
| 2 | 121-5152 | 1 | Cover-Console |
| 3 | 106-4167 | 1 | Joystick Bracket ASM |
| 3:1 | 115-5357-03 | 1 | Bracket-Joystick |
| 3:2 | 106-4192 | 1 | Spacer |
| 3:3 | 93-5547 | 2 | Bushing-Nylon |
| 3:4 | 105-7507 | 1 | Hub-Pivot, Joystick |
| 3:5 | 105-8289 | 1 | Spring-Torsion |
| 3:6 | 106-4193 | 2 | Washer-Finger, Spring |
| 3:7 | 322-9 | 1 | Screw-HH |
| 3:8 | 3296-29 | 1 | Nut-Lock, NI |
| 3:9 | 3290-354 | 2 | Nut-Speed |
| 3:10 | 108-6496 | 2 | Switch (W/Boot) |

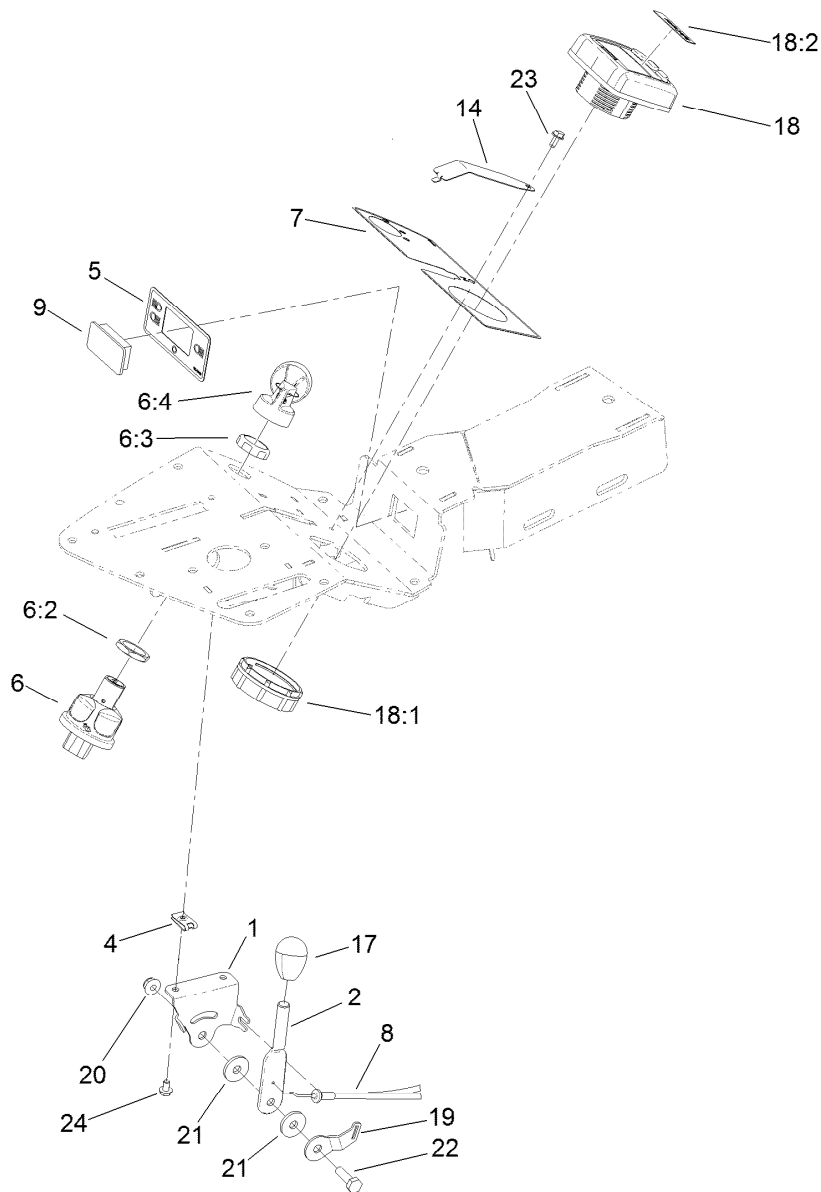
| Ref. | Part Number | Qty. | Description |
|------|-------------|------|--------------------|
| 3:11 | 95-3003 | 4 | Screw-PPHTF |
| 3:12 | 3256-3 | 1 | Washer-Flat |
| 4 | 108-7602 | 1 | Rest-Arm |
| 5 | 120-9752 | 1 | Knob-Round, Yellow |
| 6 | 93-5961 | 1 | Boot-Lever |
| 7 | 121-6681 | 1 | Stem-Joystick |
| 8 | 3218-3 | 1 | Nut-Jam |
| 9 | 3290-321 | 2 | Screw-HWH |
| 10 | 138-9695 | 1 | Decal-Console |
| 11 | 3296-12 | 2 | Nut-Lock, NI |
| 12 | 115-9830 | 8 | Screw-HSBH |
| 13 | 104-8300 | 4 | Nut-HF, NI |
| 14 | 3234-29 | 2 | Screw-HHF |



Traction Interface Control Assembly

| <i>Ref.</i> | <i>Part Number</i> | <i>Qty.</i> | <i>Description</i> |
|-------------|--------------------|-------------|--------------------|
| 1 | 132-3822-03 | 1 | Bracket |
| 2 | 94-1378 | 1 | Tube-Pivot, Handle |
| 3 | 133-8894 | 1 | Handle |
| 4 | 136-8417 | 1 | Bushing |
| 5 | 33115-040 | 1 | Screw-HH |
| 6 | 3256-24 | 1 | Washer-Flat |
| 7 | 33025-00 | 1 | Nut-Lock, NI |
| 8 | 120-3198 | 1 | Roller-Pivot |
| 9 | 94-9619 | 1 | Bushing |
| 12 | 94-9620 | 1 | Spring-Torsion |
| 13 | 3256-67 | 1 | Washer |
| 14 | 33023-00 | 1 | Nut-Lock |
| 15 | 75-5470 | 2 | Spacer-Bearing |
| 16 | 251-259 | 1 | Bearing-Ball |
| 17 | 33024-00 | 1 | Nut-Lock, NI |

| <i>Ref.</i> | <i>Part Number</i> | <i>Qty.</i> | <i>Description</i> |
|-------------|--------------------|-------------|-----------------------------|
| 18 | 94-9617 | 1 | Pin-Spring |
| 19 | 2411-38 | 1 | Joint-Ball |
| 20 | 132-9544 | 1 | Cable-Lock, Neutral |
| 21 | 3296-27 | 1 | Nut-Lock, NI |
| 22 | 93-2279 | 1 | Clamp-Cable |
| 23 | 115-5300 | 2 | Proximity Switch ASM |
| 23:1 | 117-3207 | 2 | Nut-Hex |
| 23:2 | 117-3208 | 2 | Washer-Lock, Internal Tooth |
| 24 | 120-9753 | 1 | Knob-Cylindrical, Orange |
| 26 | 99-6810 | 2 | Screw-HHF |
| 27 | 3290-321 | 2 | Screw-HWH |
| 28 | 3296-12 | 2 | Nut-Lock, NI |
| 29 | 107069 | 2 | Clip |
| 32 | 99-7420 | 1 | Plug-Hole |



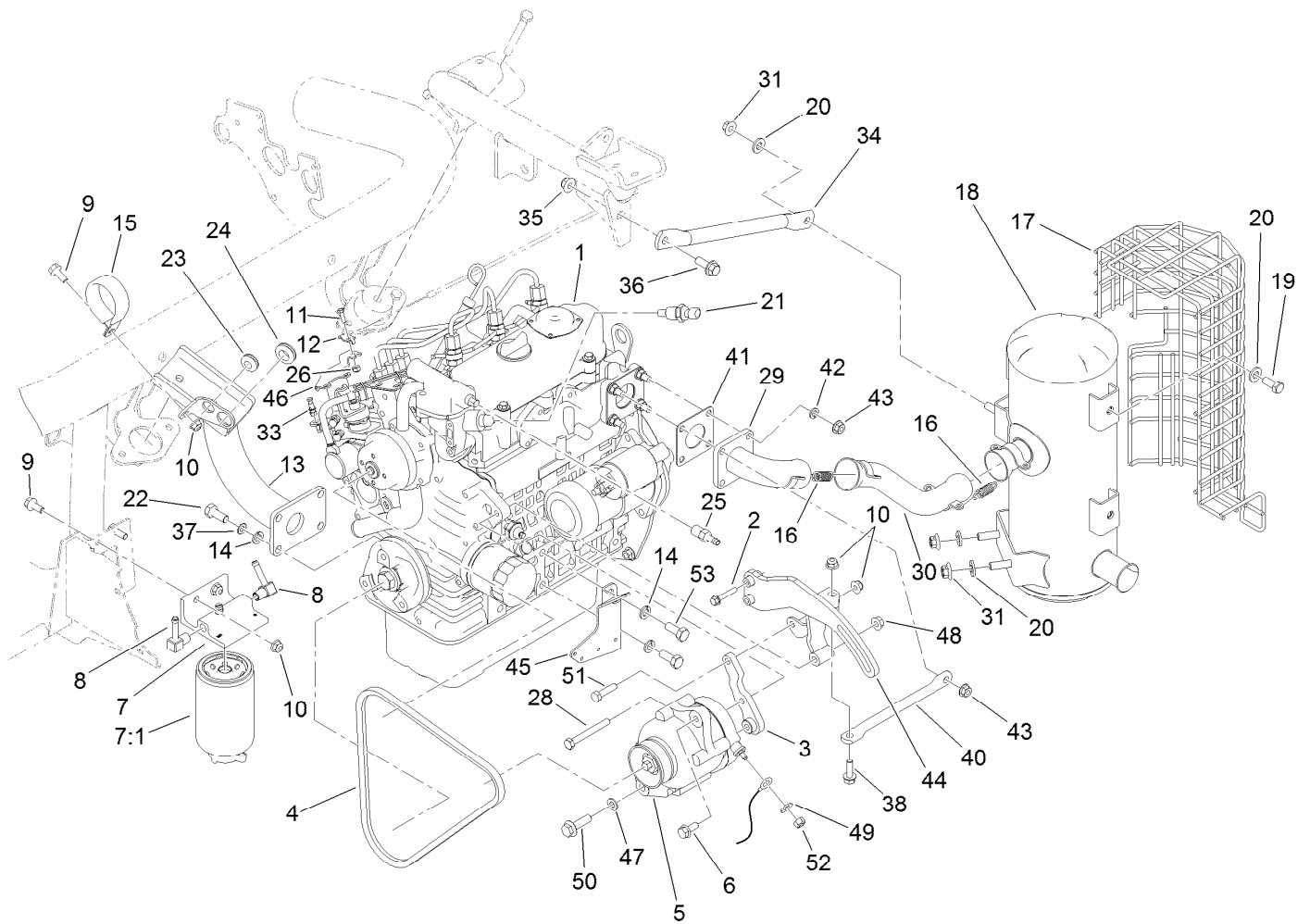
Ignition, Throttle and Choke Control Assembly

| <i>Ref.</i> | <i>Part Number</i> | <i>Qty.</i> | <i>Description</i> | <i>Ref.</i> | <i>Part Number</i> | <i>Qty.</i> | <i>Description</i> |
|-------------|--------------------|-------------|----------------------|-------------|--------------------|-------------|----------------------|
| 1 | 125-3013 | 1 | Bracket-Throttle | 14 | 132-9592 | 1 | Cover-Choke |
| 2 | 125-3014 | 1 | Lever-Throttle | 17 | 120-9751 | 1 | Knob-Oval, Black |
| 4 | 3290-277 | 4 | Nut-Speed | 18 | 120-6310 | 1 | LCD Display ASM |
| 5 | 131-2046 | 1 | Decal-Light, Console | 18:1 | 120-4630 | 1 | Nut-Display |
| 6 | 121-5159 | 1 | Ignition Switch ASM | 18:2 | 120-6311 | 1 | Decal-Display |
| 6:2 | 121-5160 | 1 | Nut-Hex | 19 | 125-3015 | 1 | Bracket-Clamp, Cable |
| 6:3 | 121-5161 | 1 | Nut-Face | 20 | 104-7201 | 1 | Nut-HF |
| 6:4 | 121-5162 | 1 | Set-Key, Ignition | 21 | 66-2921 | 2 | Washer-Friction |
| 7 | 132-9550 | 1 | Decal-Console | 22 | 321-5 | 1 | Screw-HH |
| 8 | 125-3017 | 1 | Cable-Throttle | 23 | 104-2065 | 1 | Screw-HWH |
| 9 | 99-7420 | 1 | Plug-Hole | 24 | 3290-144 | 2 | Screw-SHWH |



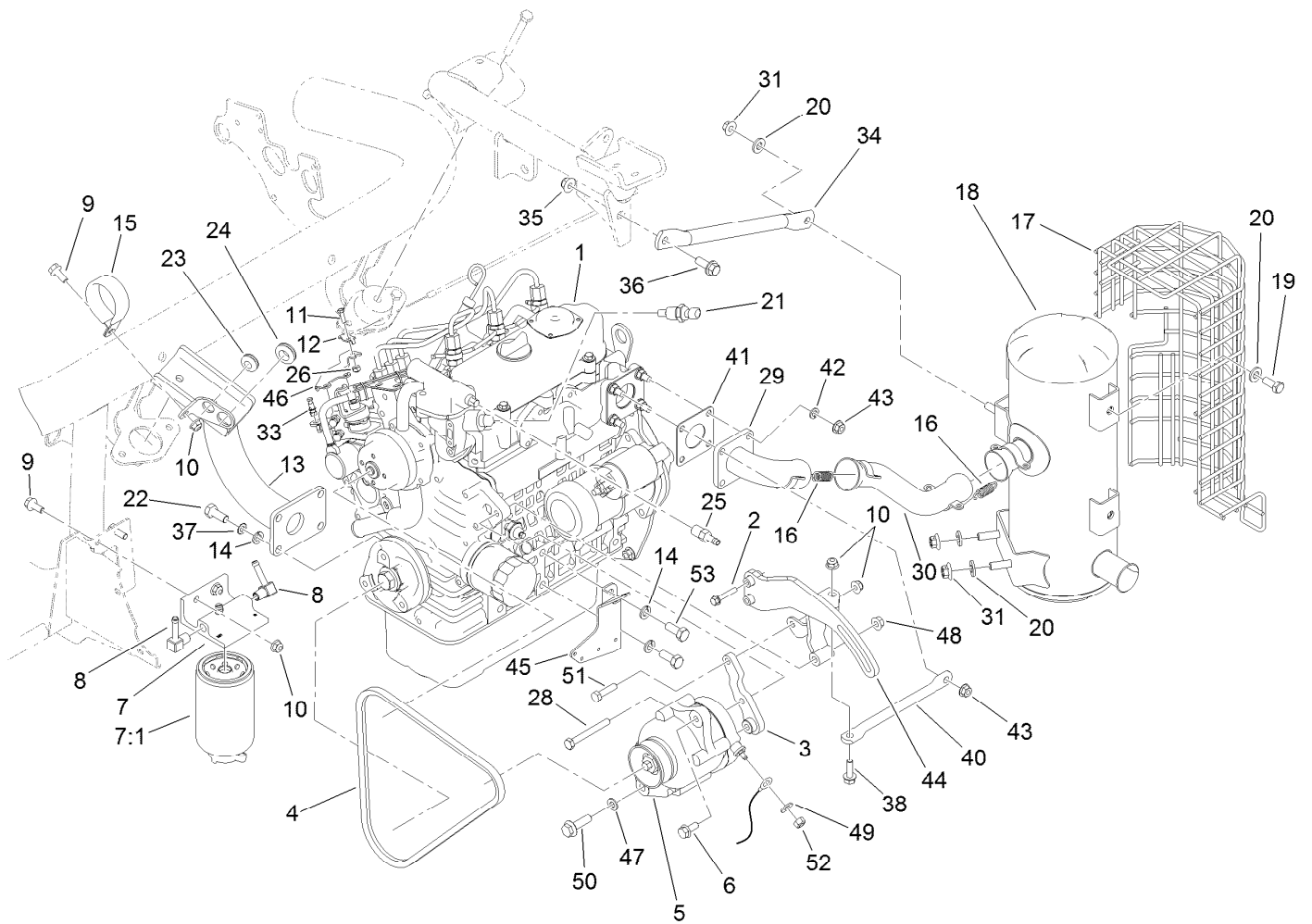
Console Cable Routing Assembly

| <i>Ref.</i> | <i>Part Number</i> | <i>Qty.</i> | <i>Description</i> |
|-------------|--------------------|-------------|--------------------|
| 5 | 3290-379 | 4 | Tie-Cable |
| 6 | 120-1959 | 1 | Clamp |



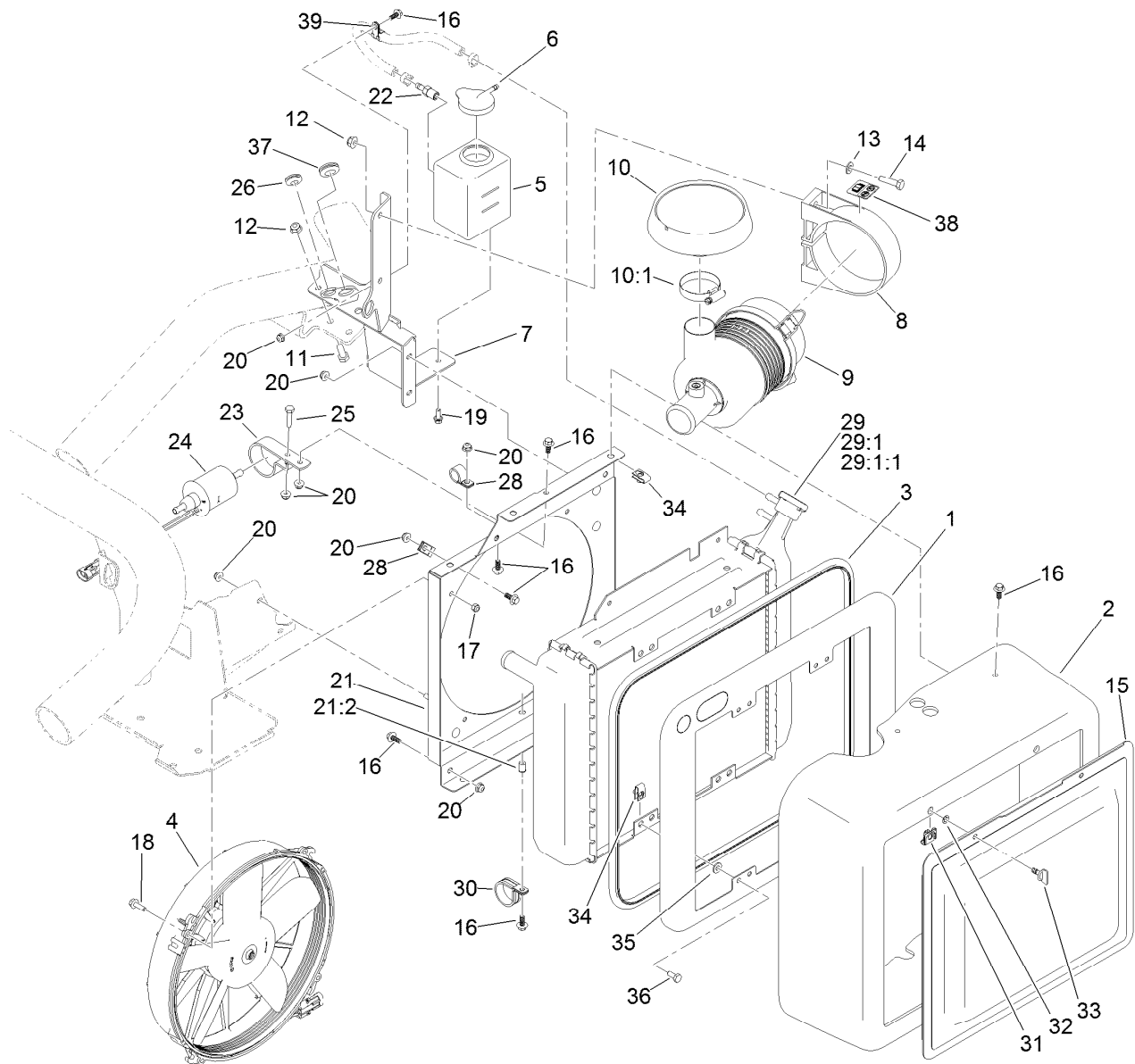
Engine and Exhaust Assembly

| Ref. | Part Number | Qty. | Description | Ref. | Part Number | Qty. | Description |
|------|-------------|------|-----------------------|------|-------------|------|--------------------|
| 1 | 138-6902 | 1 | Engine-Kubota, D902 | 21 | 119-4478 | 1 | Sender-Temperature |
| 2 | 33103-035 | 2 | Screw-HHF | 22 | 43-0090 | 4 | Screw-HH |
| 3 | 119-4428-03 | 1 | Bracket-Alternator | 23 | 1-633630 | 1 | Grommet |
| 4 | 119-4486 | 1 | Belt-V, Fan | 24 | 237-124 | 2 | Grommet |
| 5 | 117-5541 | 1 | 60 Amp Alternator ASM | 25 | 353-783 | 1 | Fitting-STR |
| 6 | 33104-020 | 1 | Screw-HHF | 26 | 3296-2 | 1 | Nut-Lock, NI |
| 7 | 110-9044 | 1 | Separator-Filter | 28 | 119-8194 | 1 | Screw-HH |
| 7:1 | 110-9049 | 1 | Filter-Spin On | 29 | 114-8009 | 1 | Plate-Exhaust |
| 8 | 353-707 | 2 | Fitting-HYD, 90 DEG | 30 | 114-8013 | 1 | Pipe-Exhaust |
| 9 | 3234-47 | 2 | Screw-HHF | 31 | 32128-19 | 4 | Nut-HF |
| 10 | 104-8300 | 5 | Nut-HF, NI | 33 | 108-5928 | 1 | Swivel-Stop, Cable |
| 11 | 3290-134 | 1 | Screw | 34 | 120-1956-03 | 1 | Tube-Brace |
| 12 | 613385 | 1 | Clamp-Cable | 35 | 104-8301 | 1 | Nut-HF, NI |
| 13 | 119-2128-03 | 1 | Support-Engine | 36 | 3234-42 | 1 | Screw-HHF |
| 14 | 42-9600 | 6 | Washer-Lock | 37 | 3255-8 | 1 | Washer-Lock |
| 15 | 115-9469 | 1 | Clamp-R | 38 | 3234-29 | 2 | Screw-HHF |
| 16 | 104-6478 | 4 | Spring-Extension | 40 | 120-1961-03 | 1 | Tube-Brace |
| 17 | 115-8718-03 | 1 | Shield-Muffler | 41 | 99-8343 | 1 | Gasket-Muffler |
| 18 | 120-1950 | 1 | Muffler | 42 | 3253-4 | 3 | Washer-Lock |
| 19 | 323-5 | 4 | Screw-HH | 43 | 117-1350 | 4 | Nut-HF, Lock |
| 20 | 100-4852 | 4 | Washer-Hardened | 44 | 119-8182-03 | 1 | Bracket-Alternator |



Engine and Exhaust Assembly (continued)

| <i>Ref.</i> | <i>Part Number</i> | <i>Qty.</i> | <i>Description</i> | <i>Ref.</i> | <i>Part Number</i> | <i>Qty.</i> | <i>Description</i> |
|-------------|--------------------|-------------|---------------------------|-------------|--------------------|-------------|--------------------|
| 45 | 120-1964-03 | 1 | Bracket-Harness | 50 | 33105-035 | 1 | Screw-HHF |
| 46 | 125-3016 | 1 | Bracket-Support, Throttle | 51 | 322-6 | 1 | Screw-HH |
| 47 | 3256-23 | 1 | Washer-Plain | 52 | 33013-00 | 1 | Nut-Hex |
| 48 | 33004-00 | 1 | Nut-HF | 53 | 63-7790 | 2 | Screw-Cap |
| 49 | 3256-2 | 1 | Washer-Flat | | | | |



Radiator, Fuel Pump and Air Cleaner Assembly

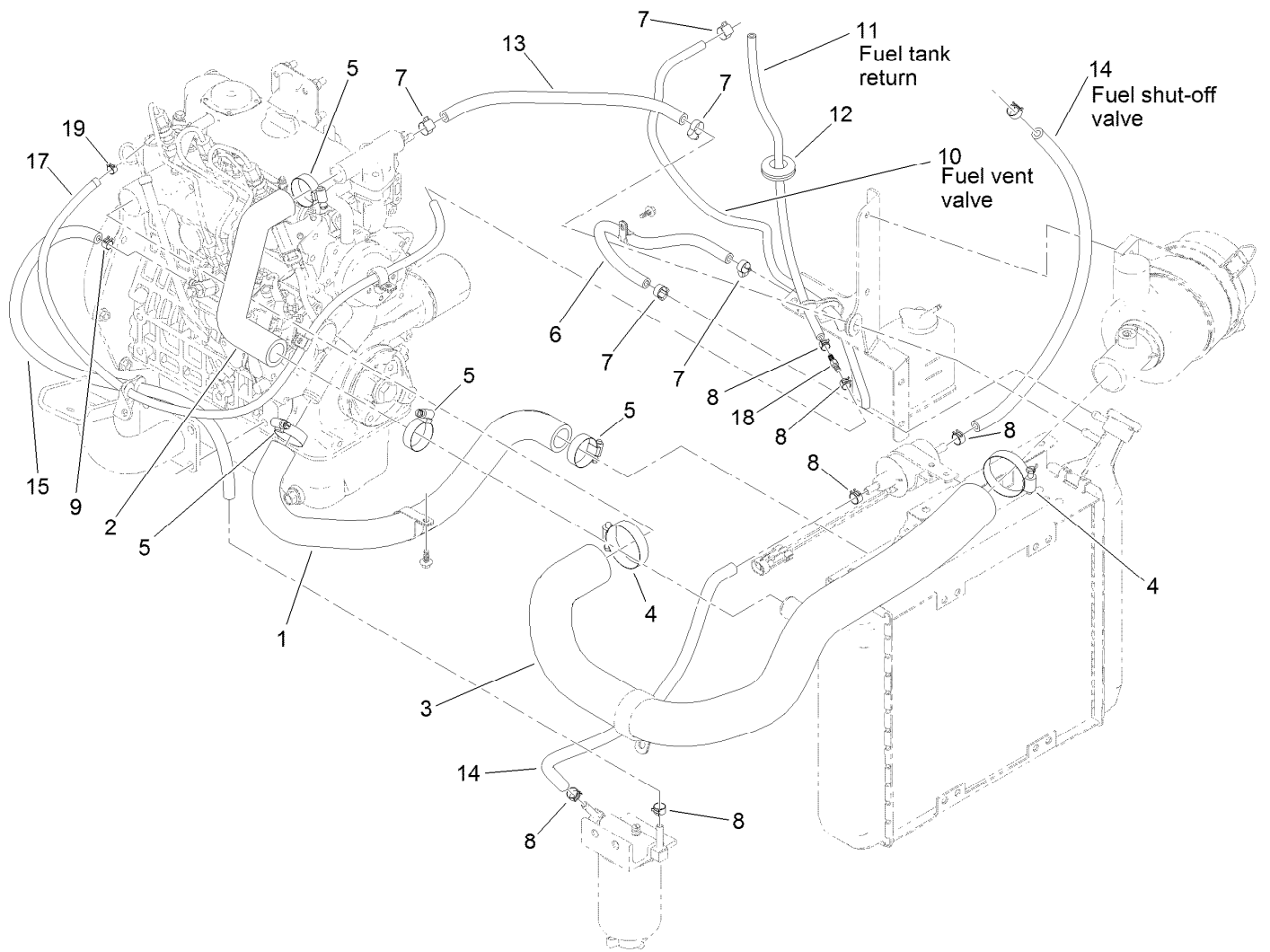
| Ref. | Part Number | Qty. | Description |
|------|-------------|------|-------------------------------|
| 1 | 117-9307-03 | 1 | Panel-Seal, Radiator |
| 2 | 117-9296 | 1 | Shroud-Radiator |
| 3 | 117-9308 | 1 | Trim-Seal |
| 4 | 115-5765 | 1 | Fan |
| 5 | 120-5260 | 1 | Tank-Overflow |
| 6 | 1-643164 | 1 | Cap-Tank, Overflow |
| 7 | 131-2099-03 | 1 | Bracket |
| 8 | 95-5806 | 1 | Bracket-Mounting, Air Cleaner |
| 9 | 95-5805 | 1 | Air Cleaner ASM |
| 10 | 136-7859 | 1 | Rain Cap Kit |
| 10:1 | 1-643009 | 1 | Clamp-Hose |
| 11 | 322-4 | 2 | Screw-HH |
| 12 | 104-8300 | 4 | Nut-HF, NI |
| 13 | 3256-23 | 2 | Washer-Plain |
| 14 | 322-6 | 2 | Screw-HH |
| 15 | 117-9311-03 | 1 | Screen |
| 16 | 99-6810 | 13 | Screw-HHF |
| 17 | 110-8451 | 4 | Nut-Hex, NI |
| 18 | 33103-020 | 4 | Screw-HHF |
| 19 | 3234-33 | 2 | Screw-HHF |
| 20 | 104-7201 | 13 | Nut-HF |

| Ref. | Part Number | Qty. | Description |
|--------|-------------|------|-----------------------|
| 21 | 119-9038 | 1 | Shroud ASM |
| 21:2 | 32117-2 | 1 | Nut-Clinch |
| 22 | 353-783 | 1 | Fitting-STR |
| 23 | 110-8817 | 1 | Bracket-Pump, Fuel |
| 24 | 110-8806 | 1 | Pump-Fuel |
| 25 | 321-7 | 1 | Screw-HH |
| 26 | 1-633630 | 1 | Grommet |
| 28 | 2412-87 | 2 | Clamp-Cable |
| 29 | 117-9860 | 1 | Radiator |
| 29:1 | 115-7766 | 1 | Cap-Radiator |
| 29:1:1 | 106-6755 | 1 | Decal-Cap, Radiator |
| 30 | 119-9037 | 1 | Clamp-R |
| 31 | 119-1730 | 2 | Receptacle-Clip, Mini |
| 32 | 119-1729 | 2 | Retainer-Stud |
| 33 | 120-1957 | 2 | Stud-Rapier |
| 34 | 107069 | 8 | Clip |
| 35 | 3256-22 | 4 | Washer-Flat |
| 36 | 321-3 | 4 | Screw-HH |
| 37 | 237-124 | 1 | Grommet |
| 38 | 115-8155 | 1 | Decal-Warning |
| 39 | 2412-134 | 1 | Clamp-R |



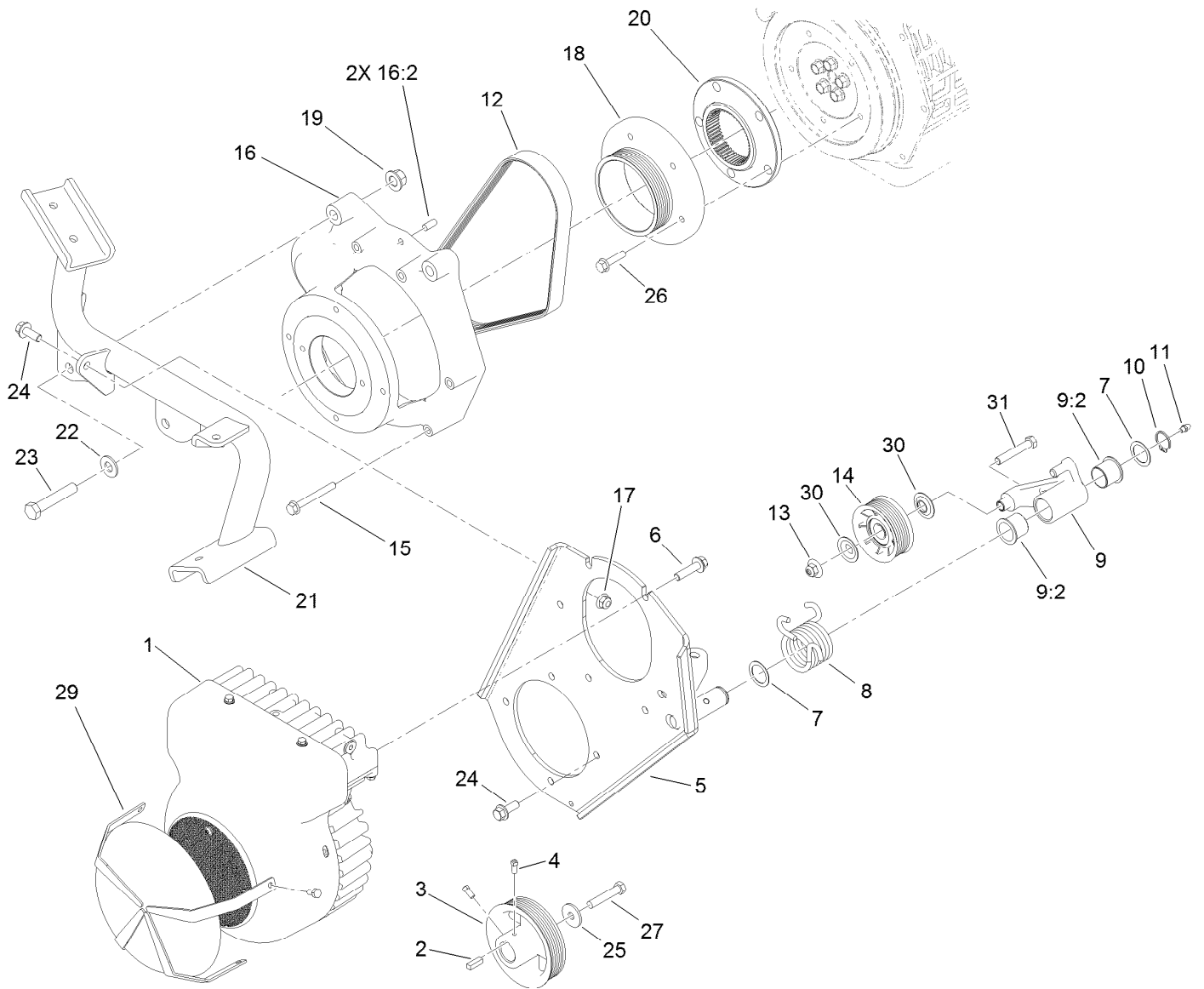
Air Cleaner Assembly No. 95-5805

| <i>Ref.</i> | <i>Part Number</i> | <i>Qty.</i> | <i>Description</i> |
|-------------|--------------------|-------------|--------------------|
| 2 | 108-3811 | 1 | Filter-Air |
| 3 | 94-3652 | 1 | Cover ASM |
| 3:1 | 1-643283 | 2 | Latch-Cleaner, Air |
| 4 | 87-9400 | 1 | Valve-Vacuator |
| 5 | 285-17 | 1 | Plug-Pipe |



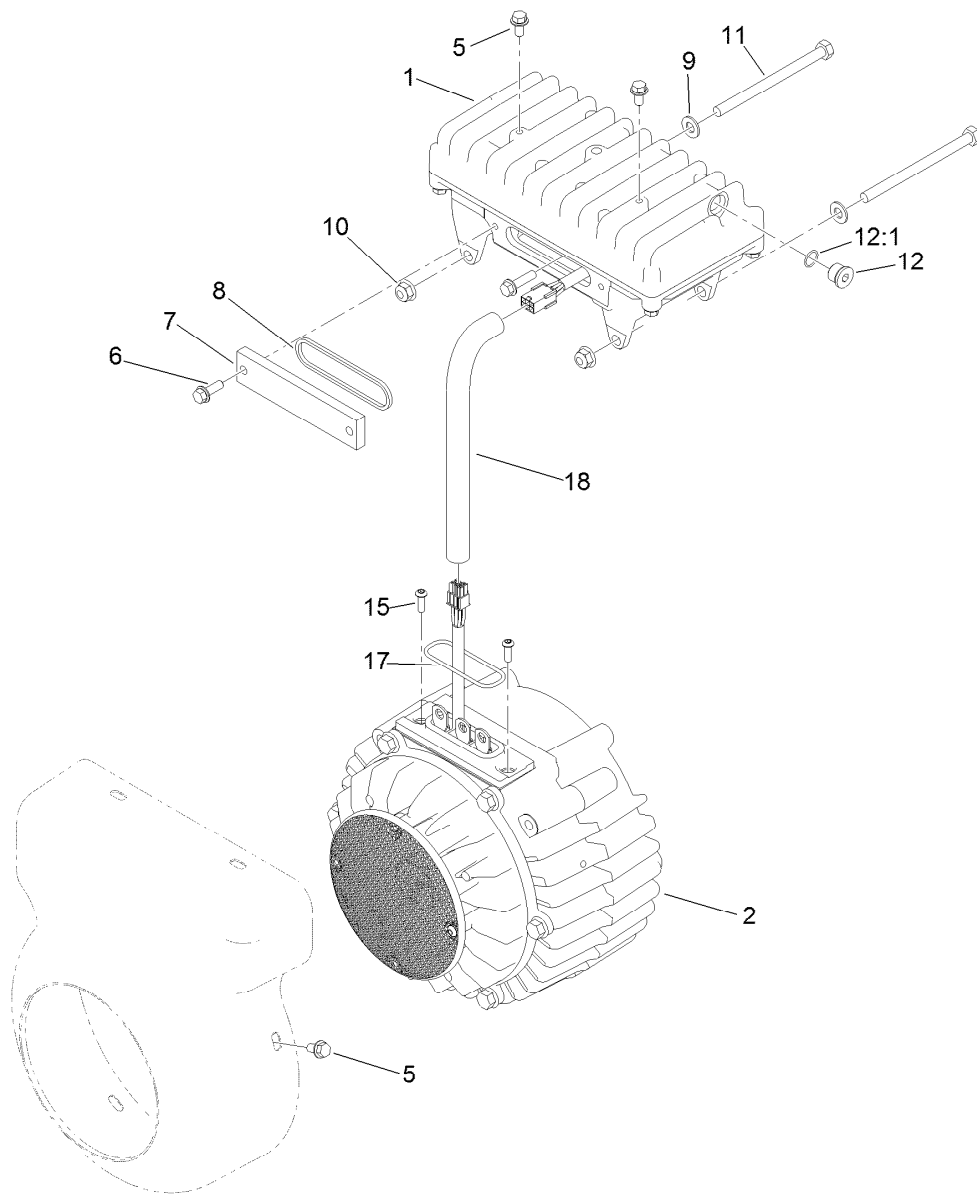
Radiator, Air Hose and Fuel Line Assembly

| <i>Ref.</i> | <i>Part Number</i> | <i>Qty.</i> | <i>Description</i> | <i>Ref.</i> | <i>Part Number</i> | <i>Qty.</i> | <i>Description</i> |
|-------------|--------------------|-------------|----------------------|-------------|--------------------|-------------|--------------------|
| 1 | 117-9268 | 1 | Hose-Radiator, Lower | 10 | 119-6074 | 1 | Hose-Fuel |
| 2 | 117-9261 | 1 | Hose-Radiator, Upper | 11 | 119-8150 | 1 | Hose-Fuel |
| 3 | 117-4481 | 1 | Hose-Air | 12 | 240-4 | 1 | Grommet-Rubber |
| 4 | 2412-92 | 2 | Clamp-Hose | 13 | 119-8136 | 1 | Hose-Fuel |
| 5 | 2412-34 | 4 | Clamp-Hose | 14 | 110-4109 | 2 | Hose-Fuel |
| 6 | 110-4113 | 1 | Hose-Fuel | 15 | 110-6187 | 1 | Hose-Fuel |
| 7 | 2412-108 | 5 | Clamp-Worm | 17 | 119-3517 | 1 | Hose-Fuel |
| 8 | 92-2379 | 6 | Clamp-Hose | 18 | 120-1996 | 1 | Fitting-STR |
| 9 | 2412-146 | 3 | Clamp-Hose | 19 | 2412-80 | 1 | Clamp-Hose |



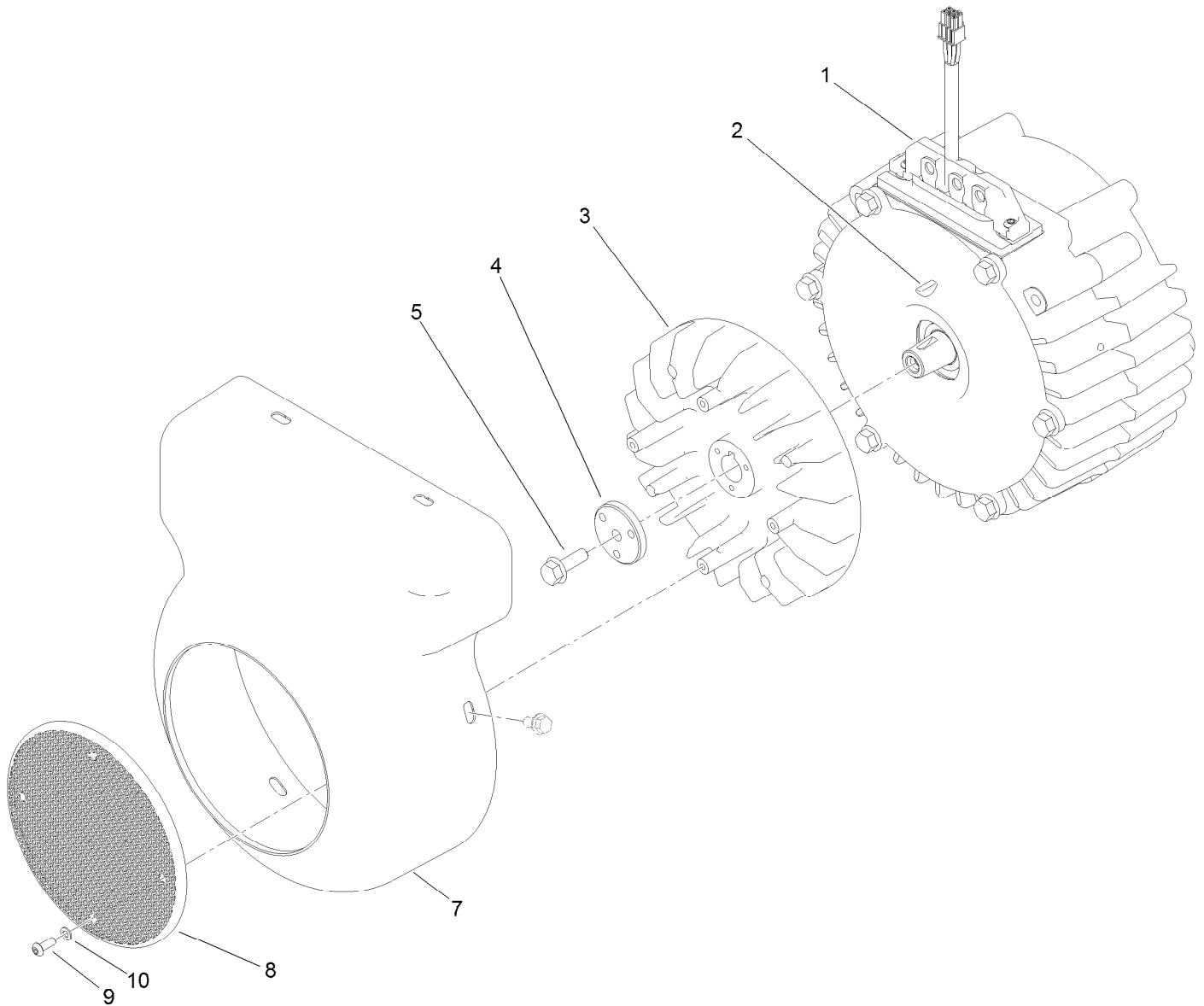
Generator and Engine Frame Assembly

| Ref. | Part Number | Qty. | Description | Ref. | Part Number | Qty. | Description |
|------|-------------|------|--------------------------|------|-------------|------|-----------------------|
| 1 | 127-2580 | 1 | Generator/Controller ASM | 16 | 119-4454 | 1 | Bell Housing ASM |
| 2 | 10-7070 | 1 | Key-Square | 16:2 | 87-1910 | 2 | Pin-Dowel |
| 3 | 117-9295 | 1 | Pulley-Generator | 17 | 104-8301 | 5 | Nut-HF, NI |
| 4 | 3241-7 | 2 | Screw-SQH | 18 | 117-4458 | 1 | Pulley-Engine, Diesel |
| 5 | 117-9293-03 | 1 | Plate-Generator | 19 | 99-5107 | 2 | Nut-Lock |
| 6 | 114-4681 | 5 | Screw-HHF | 20 | 115-8727 | 1 | Flange-Coupling |
| 7 | 74-1810 | 2 | Washer | 21 | 119-2131-03 | 1 | Mount-Rear, Engine |
| 8 | 117-9342 | 1 | Spring-Torsion | 22 | 87-7270 | 2 | Washer-Thrust |
| 9 | 117-9294 | 1 | Idler Bracket ASM | 23 | 325-11 | 2 | Screw-HH |
| 9:2 | 126-1963 | 2 | Bushing-Pivot | 24 | 3234-42 | 6 | Screw-HHF |
| 10 | 32151-36 | 1 | Ring-Retaining | 25 | 63-8410 | 1 | Washer |
| 11 | 302-5 | 1 | Fitting-Grease | 26 | 33104-030 | 5 | Screw-HHF |
| 12 | 117-4464 | 1 | Belt-V | 27 | 3211-9 | 1 | Screw-HH |
| 13 | 109-6658 | 1 | Nut-Flange, NI | 29 | 117-4504-03 | 1 | Guard |
| 14 | 120-5766 | 1 | Pulley | 30 | 120-5757 | 2 | Washer-Flange |
| 15 | 33104-070 | 5 | Screw-HHF | 31 | 323-11 | 1 | Screw-HH |



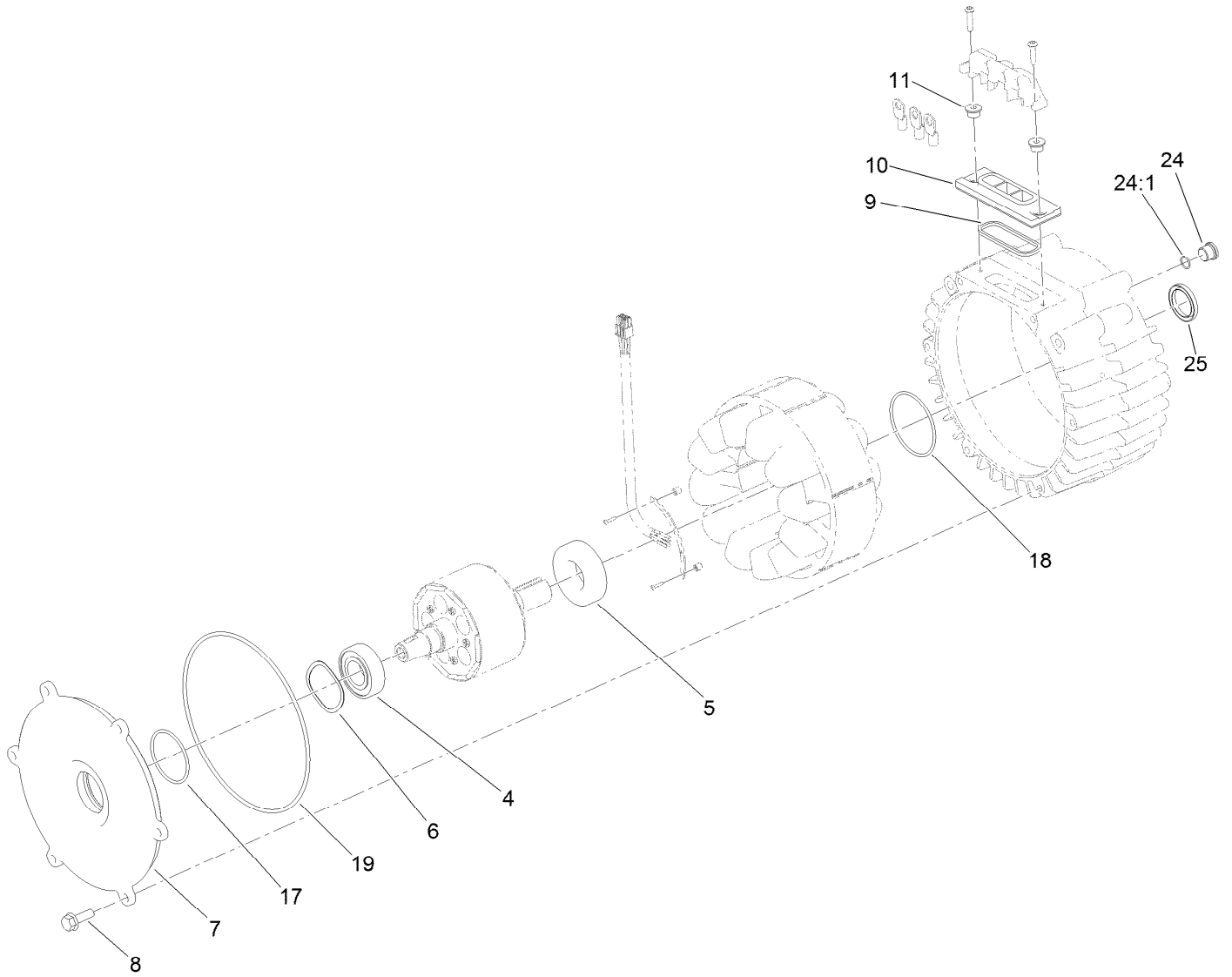
Generator/Controller Assembly No. 127-2580

| Ref. | Part Number | Qty. | Description |
|------|-------------|------|----------------------------|
| 1 | 117-8181 | 1 | Controller ASM |
| 2 | 127-2579 | 1 | Generator ASM |
| 5 | 119-1065 | 6 | Screw-HWH |
| 6 | 119-1138 | 2 | Screw-HWH |
| 7 | 120-4511 | 1 | Cover-Access |
| 8 | 120-4513 | 1 | Gasket-Cover, Access |
| 9 | 3256-23 | 2 | Washer-Plain |
| 10 | 104-8300 | 2 | Nut-HF, NI |
| 11 | 322-38 | 2 | Screw-HH |
| 12 | 353-989 | 1 | Plug-Hex, Hollow |
| 12:1 | 237-42 | 1 | O-Ring |
| 15 | 119-7568 | 2 | Screw-HSBH |
| 17 | 117-8176 | 1 | O-Ring |
| 18 | 127-2747 | 1 | Sleeve-Harness, Expandable |



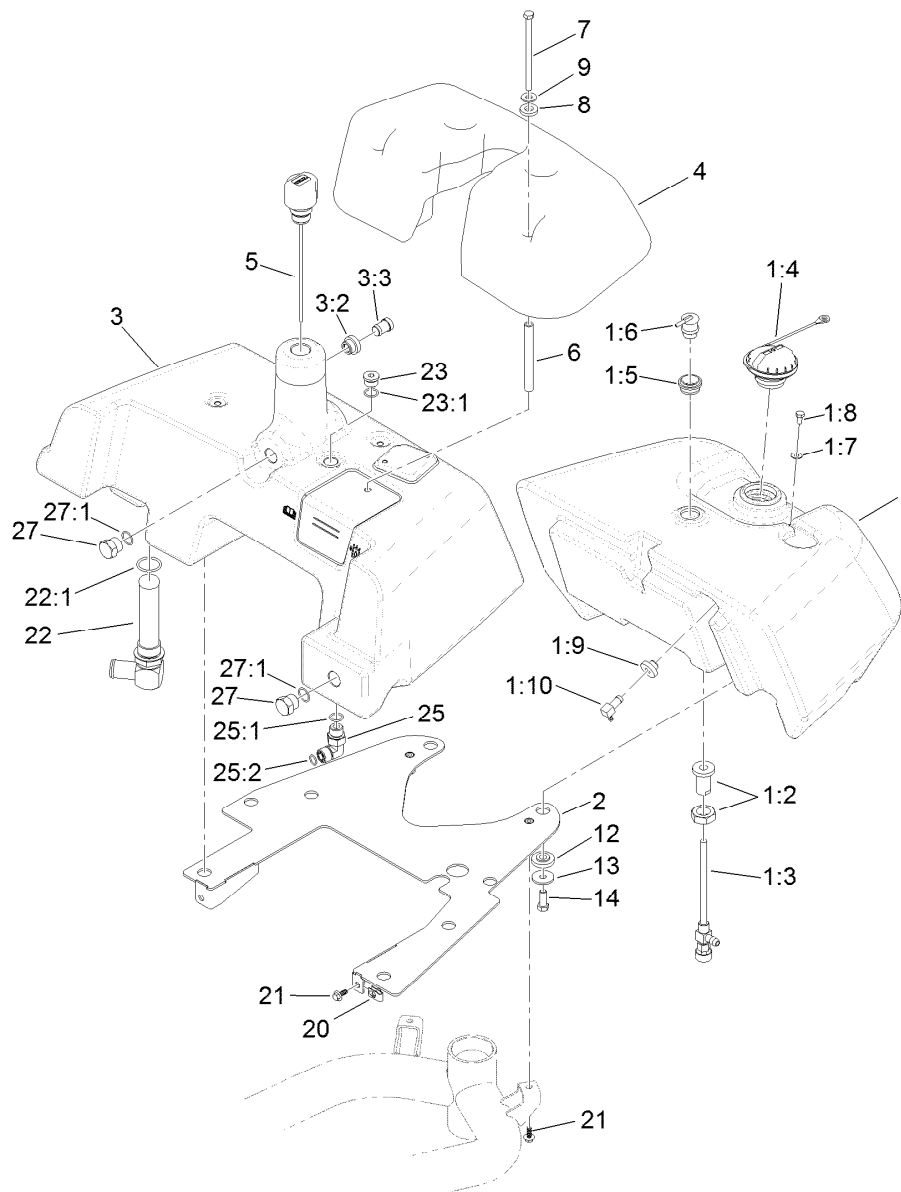
Generator Assembly No. 127-2579

| Ref. | Part Number | Qty. | Description |
|------|-------------|------|-----------------------|
| 1 | 127-2578 | 1 | Generator Service ASM |
| 2 | 112-5193 | 1 | Key-Woodruff |
| 3 | 117-8184 | 1 | Fan-Generator |
| 4 | 112-9604 | 1 | Collar |
| 5 | 33104-025 | 1 | Screw-HHF |
| 7 | 121-7082 | 1 | Cover-Generator |
| 8 | 120-4582 | 1 | Screen-Fan |
| 9 | 120-4564 | 4 | Screw-BHCS |
| 10 | 120-4563 | 4 | Washer-Flat |



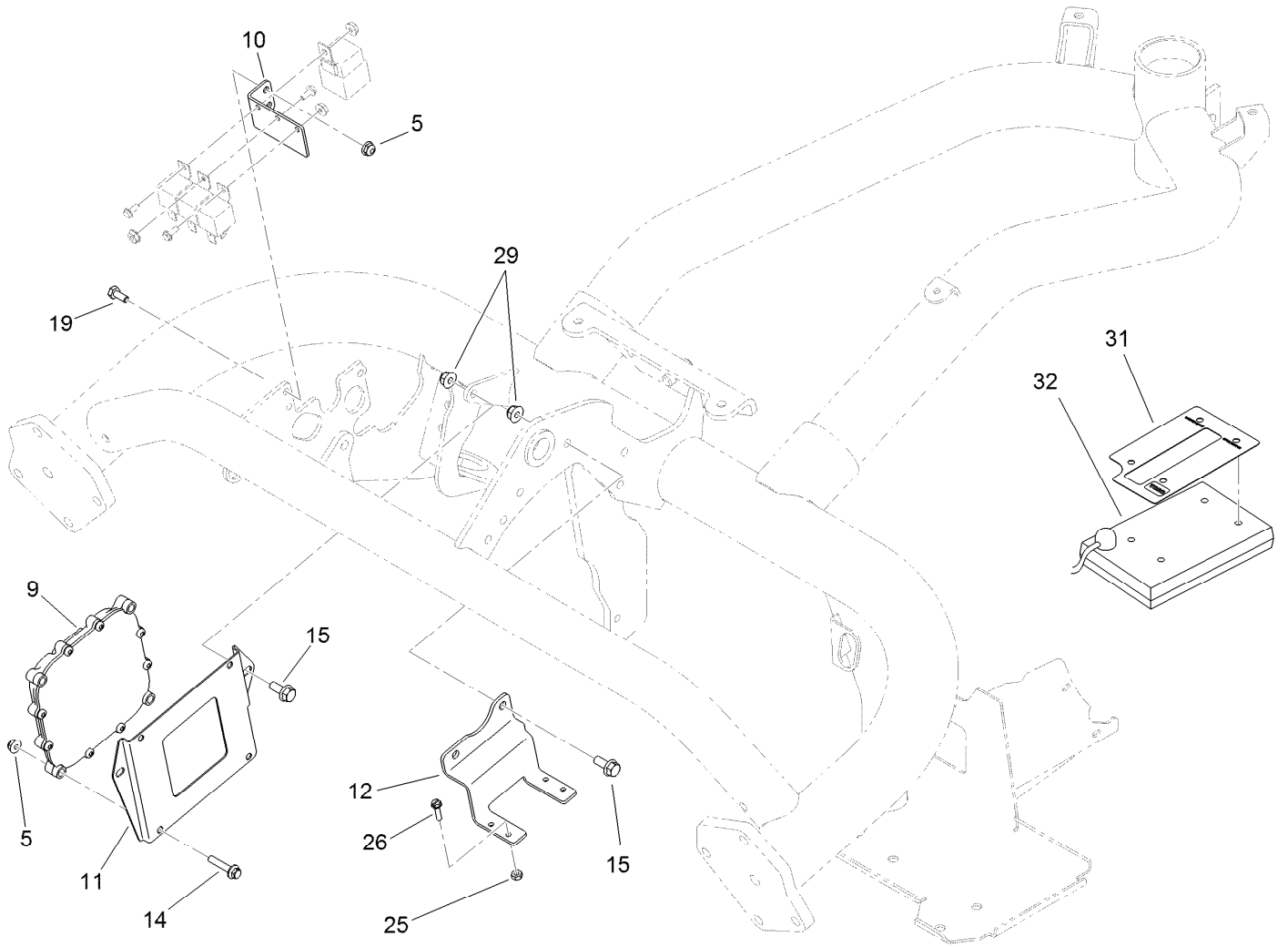
Generator Service Assembly No. 127-2578

| <i>Ref.</i> | <i>Part Number</i> | <i>Qty.</i> | <i>Description</i> |
|-------------|--------------------|-------------|--------------------|
| 4 | 120-4621 | 1 | Bearing |
| 5 | 120-4622 | 1 | Bearing |
| 6 | 117-8148 | 1 | Washer-Wave |
| 7 | 117-4514 | 1 | Cover-Generator |
| 8 | 33104-025 | 6 | Screw-HHF |
| 9 | 120-4518 | 1 | Gasket-Isolator |
| 10 | 112-5155 | 1 | Isolator-Thermal |
| 11 | 117-4501 | 2 | Spacer-Shoulder |
| 17 | 107-3244 | 1 | O-Ring |
| 18 | 117-8177 | 1 | O-Ring |
| 19 | 112-5199 | 1 | O-Ring |
| 24 | 353-989 | 1 | Plug-Hex, Hollow |
| 24:1 | 237-42 | 1 | O-Ring |
| 25 | 125-1509 | 1 | Seal |



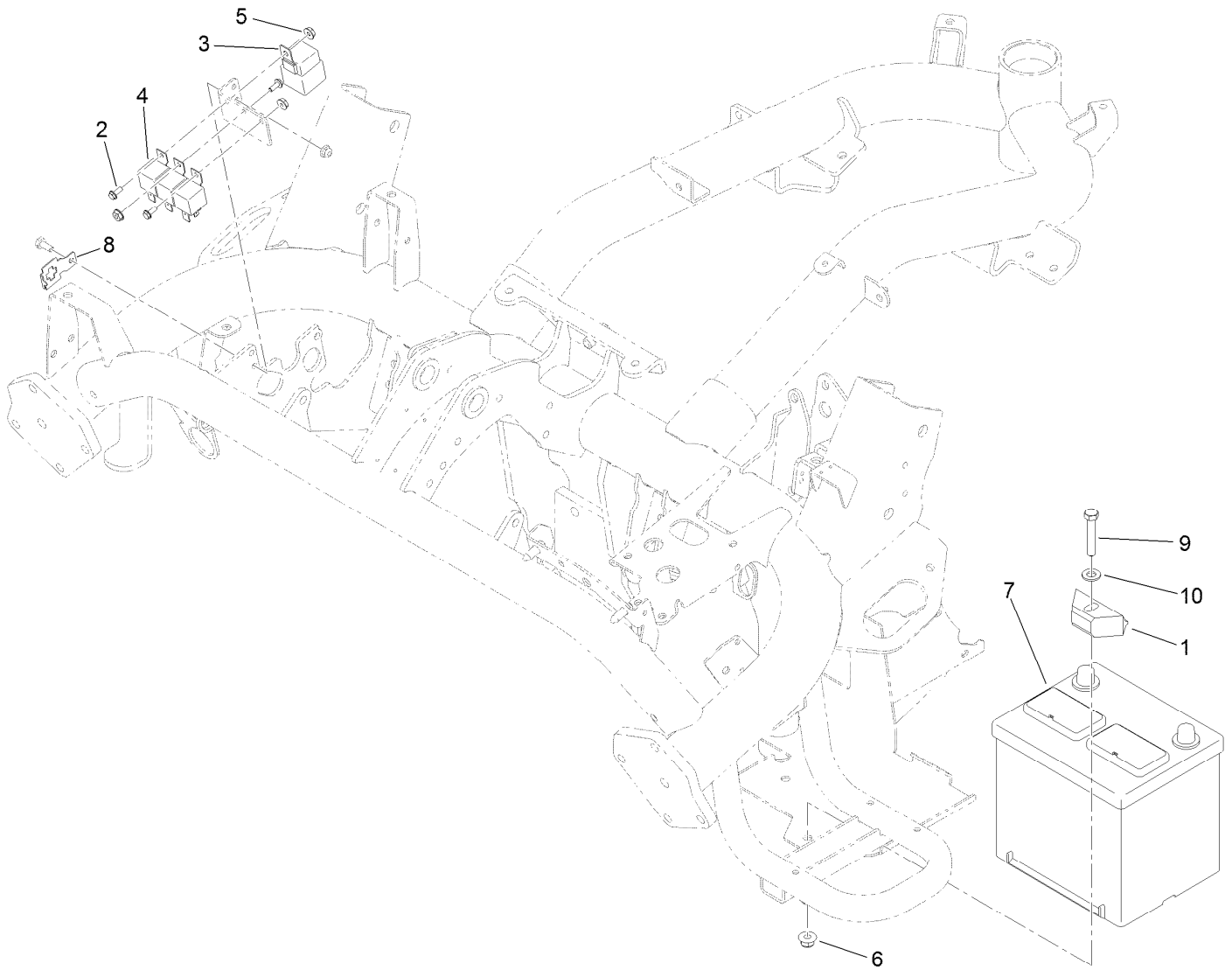
Fuel and Hydraulic Tank Assembly

| Ref. | Part Number | Qty. | Description | Ref. | Part Number | Qty. | Description |
|------|-------------|------|------------------------|------|-------------|------|----------------------|
| 1 | 139-2662 | 1 | Fuel Tank ASM | 7 | 322-29 | 4 | Screw-HH |
| 1:2 | 114-4677 | 1 | Bulkhead ASM | 8 | 83-1470 | 4 | Washer-Neoprene |
| 1:3 | 114-4679 | 1 | Fitting-Shut Off, Fuel | 9 | 3256-71 | 4 | Washer-Flat |
| 1:4 | 121-5174 | 1 | Cap-Fuel, Diesel | 12 | 240-11 | 8 | Bushing-Flange |
| 1:5 | 114-0284 | 1 | Grommet | 13 | 63-8410 | 8 | Washer |
| 1:6 | 119-3547 | 1 | Valve-Vent, Fuel | 14 | 323-6 | 8 | Screw-HH |
| 1:7 | 3256-1 | 1 | Washer-Flat | 20 | 107069 | 2 | Clip |
| 1:8 | 321-2 | 1 | Screw-HH | 21 | 99-6810 | 4 | Screw-HHF |
| 1:9 | 46-6560 | 1 | Bushing | 22 | 105-0204 | 1 | Strainer Fitting ASM |
| 1:10 | 104-5228 | 1 | Fitting-Elbow, 90 DEG | 22:1 | 237-146 | 1 | O-Ring |
| 2 | 133-8892-03 | 1 | Plate-Mount, Tank | 23 | 353-988 | 1 | Plug-Hex |
| 3 | 136-8530 | 1 | HYD Tank ASM | 23:1 | 237-79 | 1 | O-Ring |
| 3:2 | 136-8531 | 1 | Grommet | 25 | 340-18 | 1 | Fitting-HYD, 90 DEG |
| 3:3 | 136-8534 | 1 | Plug | 25:1 | 237-79 | 1 | O-Ring |
| 4 | 136-8518 | 1 | Cover-Tank | 25:2 | 237-22 | 1 | O-Ring |
| 5 | 136-8559 | 1 | Dipstick-Breather | 27 | 353-551 | 2 | Plug-HH |
| 6 | 115-9825 | 4 | Spacer-Tube, Long | 27:1 | 237-80 | 1 | O-Ring |



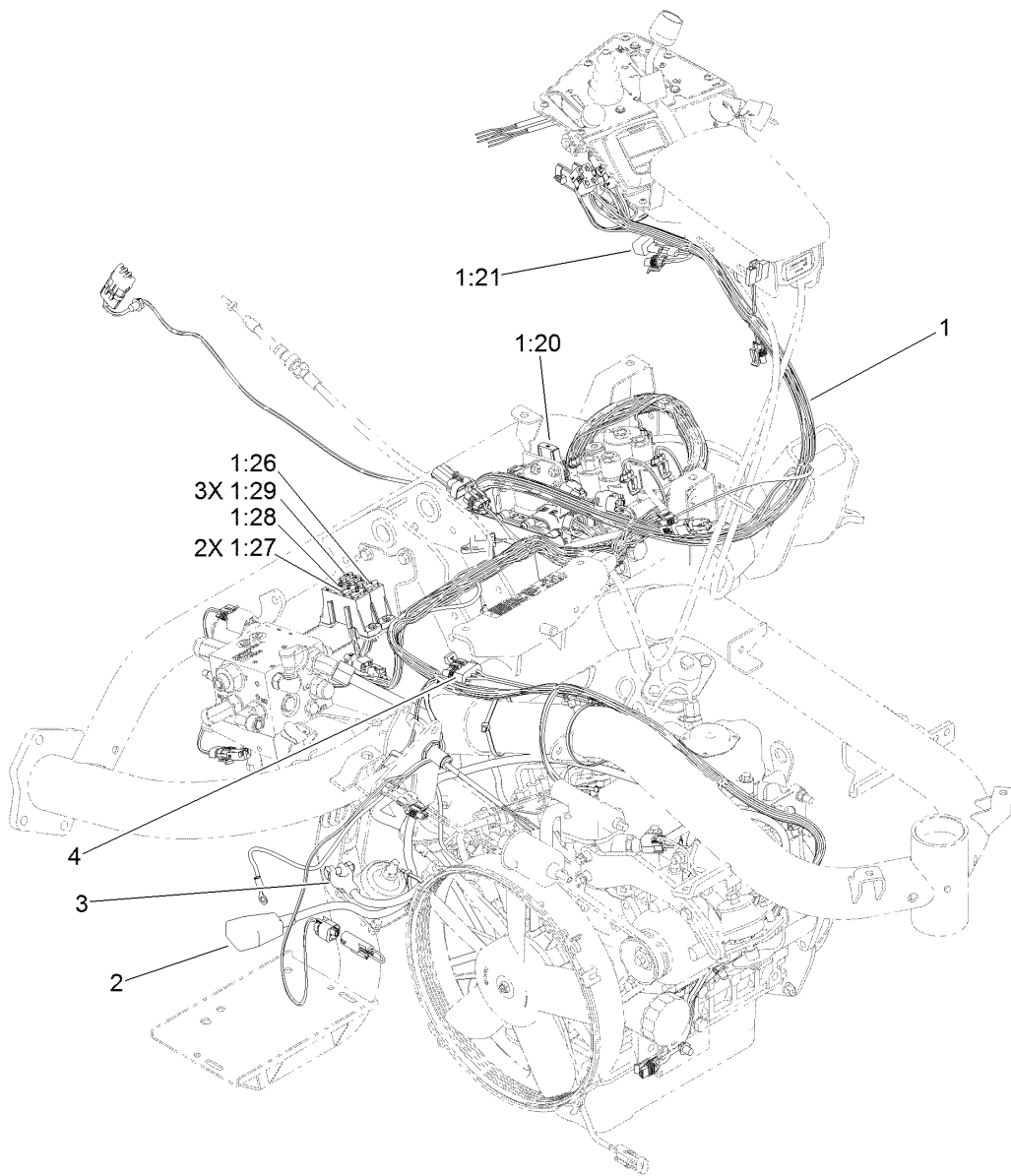
Controller Assembly

| Ref. | Part Number | Qty. | Description |
|------|-------------|------|----------------------------|
| 5 | 104-7201 | 6 | Nut-HF |
| 9 | 115-1900 | 1 | Controller |
| 10 | 119-2097-01 | 1 | Bracket-Relay |
| 11 | 119-2099-01 | 1 | Plate-Mounting, Controller |
| 12 | 119-2119-01 | 1 | Bracket-Block, Fuse |
| 14 | 3234-21 | 4 | Screw-HHF |
| 15 | 3234-47 | 4 | Screw-HHF |
| 19 | 321-3 | 2 | Screw-HH |
| 25 | 3296-2 | 4 | Nut-Lock, NI |
| 26 | 32105-13 | 4 | Screw-HWH |
| 29 | 104-8300 | 4 | Nut-HF, NI |
| 31 | 115-8227 | 1 | Decal-Controller |
| 32 | 85-4750 | 1 | Box-Display, Diagnostic |



Battery Assembly

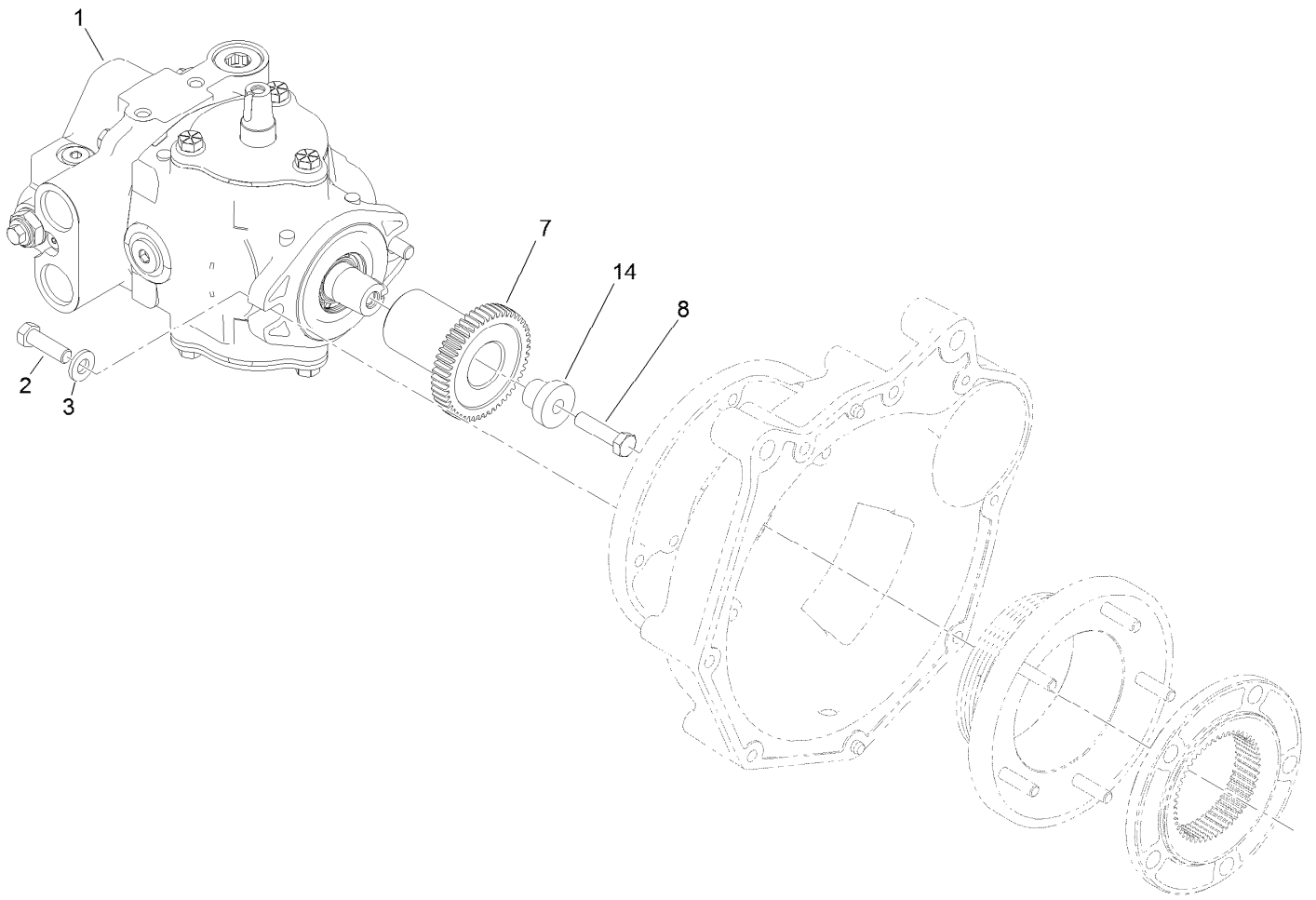
| <i>Ref.</i> | <i>Part Number</i> | <i>Qty.</i> | <i>Description</i> |
|-------------|--------------------|-------------|--------------------|
| 1 | 66-2490 | 1 | Retainer-Battery |
| 2 | 112-6349 | 3 | Screw-HWH |
| 3 | 99-7430 | 1 | Relay-Mini |
| 4 | 99-7435 | 3 | Relay |
| 5 | 32149-8 | 3 | Nut-Keps |
| 6 | 104-8301 | 1 | Nut-HF, NI |
| 7 | 106-5187 | 1 | Battery-Dry |
| 8 | 114-5502 | 1 | Clip-Fuse |
| 9 | 323-10 | 1 | Screw-HH |
| 10 | 3256-24 | 1 | Washer-Flat |



Wire Harness Assembly

| <i>Ref.</i> | <i>Part Number</i> | <i>Qty.</i> | <i>Description</i> |
|-------------|--------------------|-------------|----------------------------|
| 1 | 122-1394 | 1 | Harness-Wire |
| 1:15 | 100-4918 | 1 | Diode ● |
| 1:20 | 94-8002 | 1 | Fuse-Blade, 50 Amp |
| 1:21 | 104-4022 | 1 | Resistor-75 Ohm |
| 1:26 | 94-6710 | 1 | Fuse-2 Amp |
| 1:27 | 218-578 | 2 | Fuse-Blade, 10 Amp |
| 1:28 | 109355 | 1 | Fuse-Blade, 15 Amp |
| 1:29 | 114241 | 3 | Fuse-Blade, 7.5 Amp |
| 2 | 114-9747 | 1 | Cable-Battery, Positive |
| 3 | 115-8135 | 1 | Cable-Battery, Negative |
| 4 | 99-3441 | 1 | Harness-Wire, Fusible Link |

● Not illustrated



Pump Coupling Assembly

| <i>Ref.</i> | <i>Part Number</i> | <i>Qty.</i> | <i>Description</i> |
|-------------|--------------------|-------------|--------------------|
| 1 | 121-9558 | 1 | HYD Pump ASM |
| 2 | 323-7 | 2 | Screw-HH |
| 3 | 100-4852 | 2 | Washer-Hardened |
| 7 | 115-8726 | 1 | Hub-Taper |
| 8 | 3211-6 | 1 | Screw-HH |
| 14 | 125-3010 | 1 | Spacer-Step |



Hydraulic Pump Assembly No. 121-9558

| Ref. | Part Number | Qty. | Description | Ref. | Part Number | Qty. | Description |
|------|-------------|------|----------------------|------|-------------|------|------------------|
| 1 | 119-7148 | 1 | Shaft-Drive, Tapered | 21 | 120-1989 | 1 | Relief Valve ASM |
| 2 | 121-9574 | 1 | Endcover ASM | 22 | 98-4639 | 2 | Bearing-Cone |
| 3 | 100-3176 | 1 | Housing ASM | 23 | 98-4645 | 1 | Plate-Cover |
| 3:1 | 94-6363 | 1 | Bearing | 24 | 98-4644 | 1 | Plate-Cover |
| 4 | 76-6070 | 1 | Rotating Kit | 26 | 76-6150 | 2 | Pin-Dowel |
| 5 | 104-4888 | 1 | Swashplate | 27 | 76-6160 | 2 | Capscrew |
| 6 | 33-3720 | 1 | Washer | 28 | 76-6170 | 2 | Capscrew |
| 7 | 32151-13 | 1 | Ring-Retaining | 29 | 120-5751 | 1 | Key |
| 8 | 32151-29 | 2 | Ring-Retaining | 30 | 94-3646 | 1 | Key |
| 9 | 252-66 | 1 | Bearing-Thrust | 37 | 74-9040 | 1 | Coupler |
| 10 | 252-71 | 2 | Washer-Thrust | 39 | 104-4046 | 2 | Bearing-Cup |
| 11 | 104-4861 | 1 | Seal-Shaft | 40 | 100-3182 | 1 | Shim Kit |
| 12 | 33-4930 | 1 | Gasket-Housing | 41 | 100-3179 | 2 | O-Ring |
| 13 | 98-4635 | 1 | Insert-Plate, Cam | 48 | 100-3180 | 1 | Plate-Valve |
| 14 | 105-9762 | 6 | Washer | 50 | 74-9280 | 1 | Plug ASM |
| 16 | 76-6190 | 1 | Seal-Shaft | 50:1 | | 1 | O-Ring ■ |
| 17 | 98-4640 | 6 | Screw-Cap | 51 | 74-9280 | 1 | Plug ASM |
| 20 | 120-1989 | 1 | Relief Valve ASM | 51:1 | | 1 | O-Ring ■ |

● Not illustrated

■ Not serviced separately



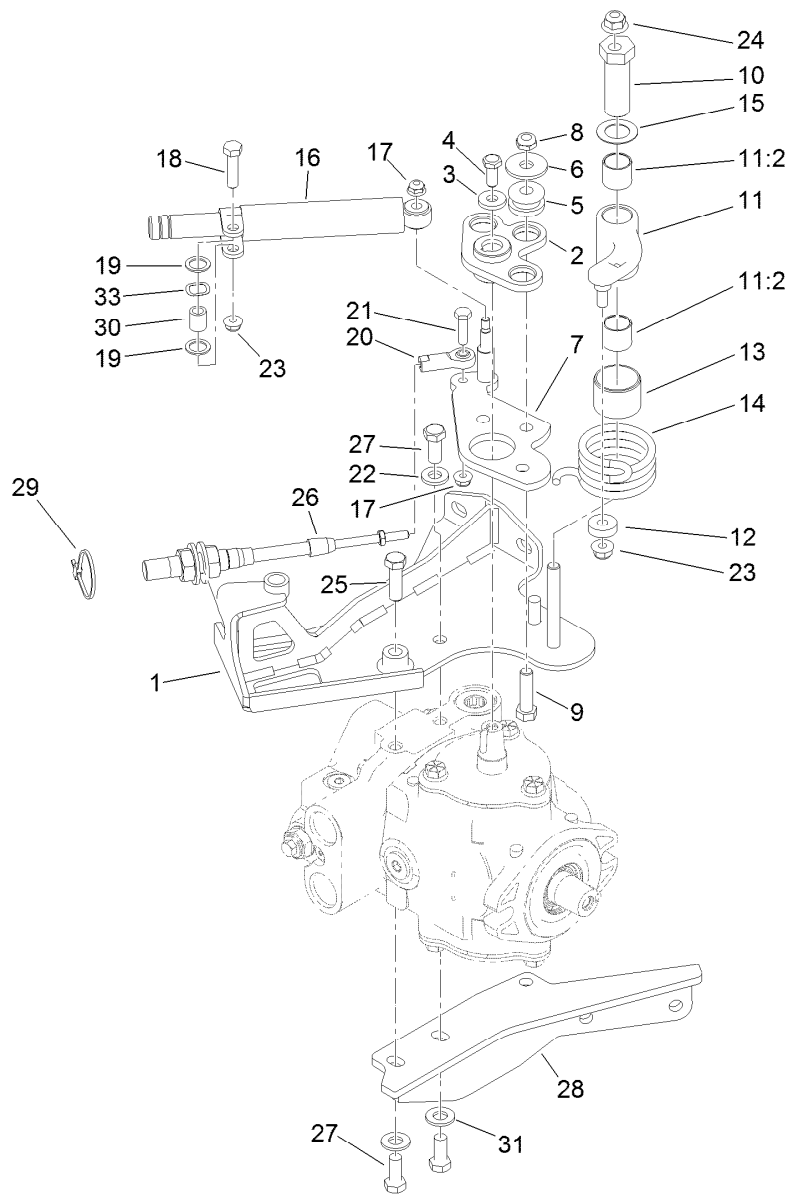
Hydraulic Pump Assembly No. 121-9558 (continued)

| Ref. | Part Number | Qty. | Description |
|------|-------------|------|------------------|
| 55 | 105-3811 | 1 | Valve-Bypass |
| 99 | 120-5754 | 1 | Seal Kit |
| 99:1 | | 2 | O-Ring ■ |
| 99:2 | | 2 | O-Ring ■ |
| 99:3 | | 1 | Seal-Shaft ■ |
| 99:4 | | 1 | Gasket ■ |
| 99:5 | | 1 | Ring-Retaining ■ |
| 99:6 | | 1 | Seal-Shaft ■ |

| Ref. | Part Number | Qty. | Description |
|-------|-------------|------|------------------|
| 99:7 | | 1 | O-Ring ■ |
| 99:8 | | 5 | O-Ring ■ |
| 99:9 | | 1 | Ring-Retaining ■ |
| 99:10 | | 1 | O-Ring ●■ |
| 99:11 | | 1 | O Ring-Molded ●■ |
| 99:12 | | 2 | Ring-Retaining ■ |
| 99:13 | | 1 | O-Ring ●■ |

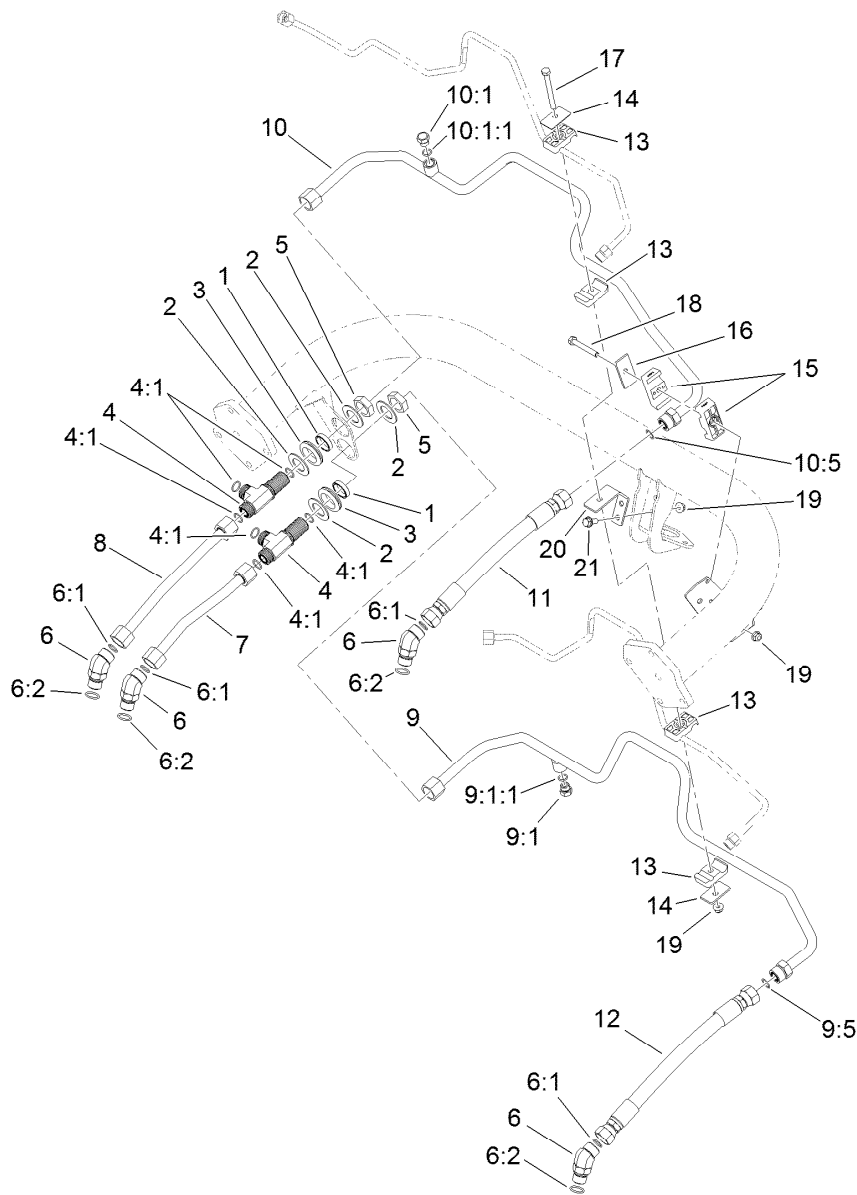
● Not illustrated

■ Not serviced separately



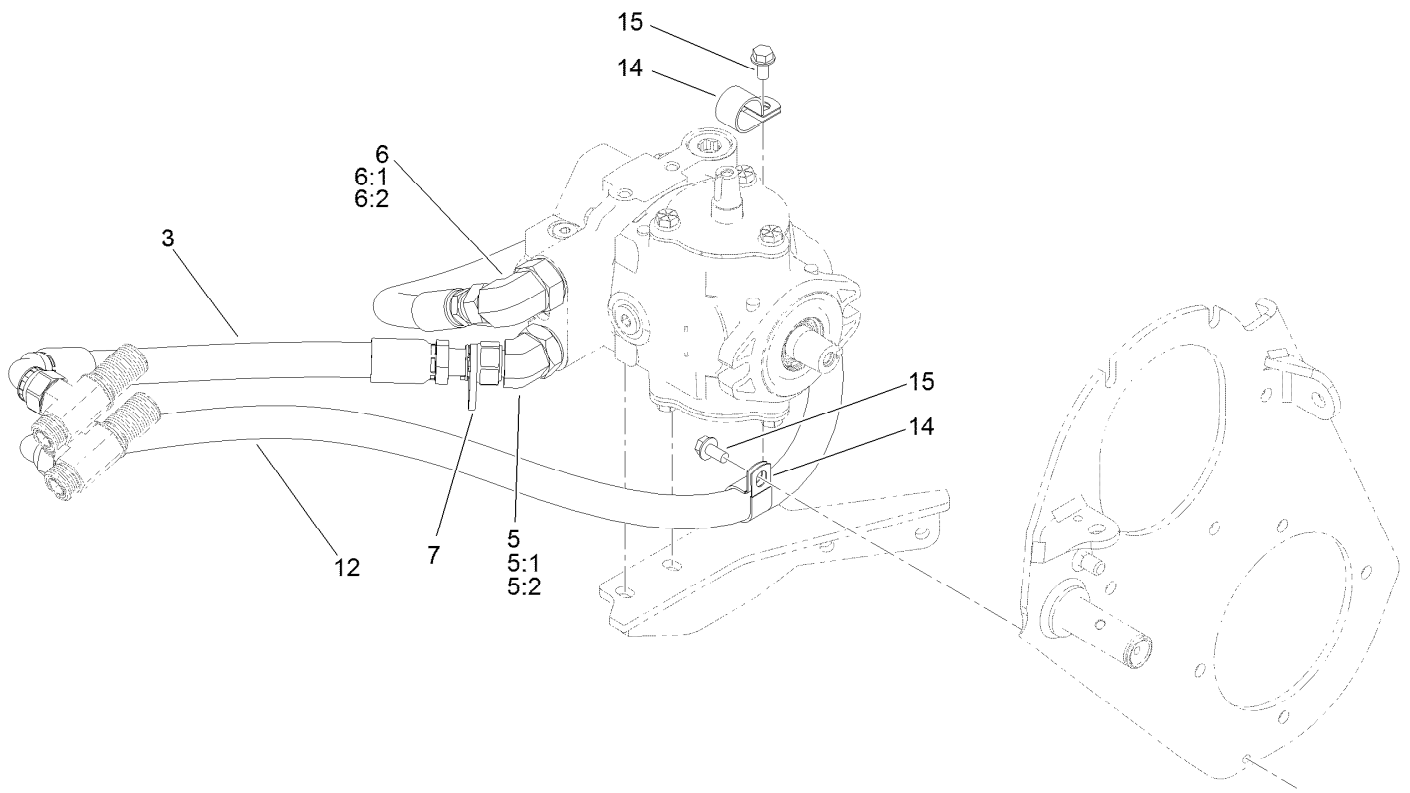
Neutral Centering Assembly

| <i>Ref.</i> | <i>Part Number</i> | <i>Qty.</i> | <i>Description</i> | <i>Ref.</i> | <i>Part Number</i> | <i>Qty.</i> | <i>Description</i> |
|-------------|--------------------|-------------|--------------------|-------------|--------------------|-------------|-------------------------|
| 1 | 120-2015 | 1 | Support-Cable | 17 | 104-7201 | 2 | Nut-HF |
| 2 | 132-9582 | 1 | Plate | 18 | 322-6 | 1 | Screw-HH |
| 3 | 88-7200 | 1 | Washer-Flat | 19 | 94-8196 | 2 | Washer-Nylon |
| 4 | 3235-6 | 1 | Screw-HH | 20 | 2411-41 | 1 | Rod End-Ball Joint |
| 5 | 63-9750 | 3 | Mount | 21 | 321-6 | 1 | Screw-HH |
| 6 | 93-8806 | 3 | Washer-Hardened | 22 | 100-4852 | 1 | Washer-Hardened |
| 7 | 117-9061 | 1 | Lever-Pump | 23 | 104-8300 | 2 | Nut-HF, NI |
| 8 | 3296-59 | 3 | Nut-Lock, NI | 24 | 104-8301 | 1 | Nut-HF, NI |
| 9 | 323-29 | 3 | Screw-HH | 25 | 323-7 | 1 | Screw-HH |
| 10 | 117-9046 | 1 | Stud-Eccentric | 26 | 119-1734 | 1 | Cable-Control, Traction |
| 11 | 117-9053 | 1 | Neutral Arm ASM | 27 | 323-5 | 3 | Screw-HH |
| 11:2 | 94-9609 | 2 | Bushing-Straight | 28 | 117-9302 | 1 | Bracket-Muffer |
| 12 | 251-259 | 1 | Bearing-Ball | 29 | 3290-379 | 1 | Tie-Cable |
| 13 | 136-8418 | 1 | Bushing | 30 | 94-8197 | 1 | Tube-Pivot |
| 14 | 117-9047 | 1 | Spring-Torsion | 31 | 100-4852 | 2 | Washer-Hardened |
| 15 | 119-8199 | 1 | Washer-Nylon | 33 | 108473 | 1 | Washer-Wave |
| 16 | 76-8870 | 1 | Damper-Lever | | | | |



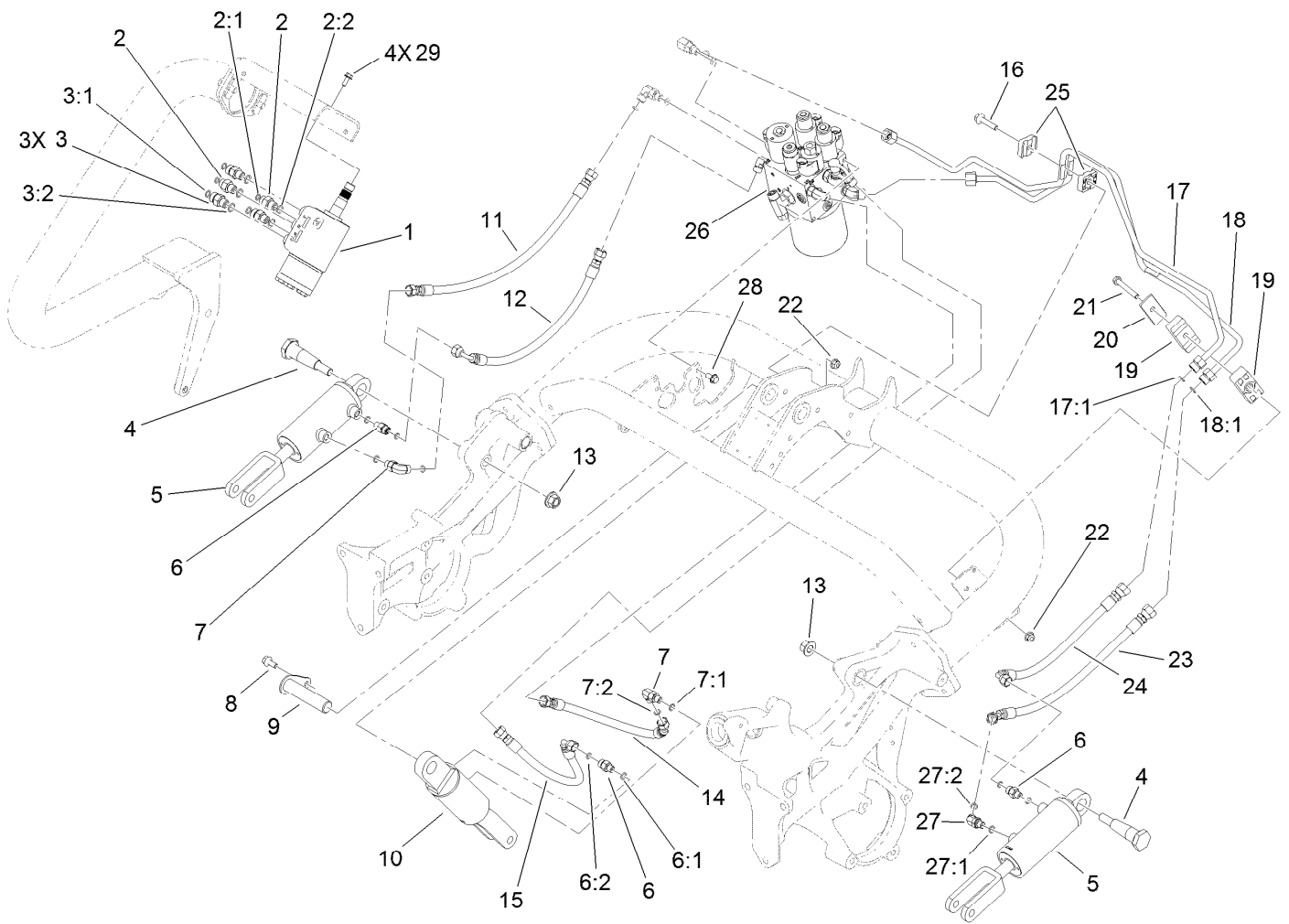
Traction Drive Hydraulic Line Assembly

| <i>Ref.</i> | <i>Part Number</i> | <i>Qty.</i> | <i>Description</i> | <i>Ref.</i> | <i>Part Number</i> | <i>Qty.</i> | <i>Description</i> |
|-------------|--------------------|-------------|---------------------|-------------|--------------------|-------------|--------------------|
| 1 | 125-1984 | 2 | Spacer | 10 | 119-2064 | 1 | HYD Tube ASM |
| 2 | 69-9010 | 4 | Washer | 10:1 | 353-508 | 1 | Plug-HH |
| 3 | 240-3 | 2 | Grommet-Rubber | 10:1:1 | 237-42 | 1 | O-Ring |
| 4 | 94-5350 | 2 | Fitting-Tee | 10:5 | 237-65 | 1 | O-Ring |
| 4:1 | 237-65 | 3 | O-Ring | 11 | 115-9484 | 1 | Hose-HYD |
| 5 | 340-74 | 2 | Nut-Lock, Bulkhead | 12 | 115-9485 | 1 | Hose-HYD |
| 6 | 340-14 | 4 | Fitting-HYD, 45 DEG | 13 | 56-7970 | 4 | Clamp-Tube |
| 6:1 | 237-65 | 1 | O-Ring | 14 | 69-9760 | 2 | Plate-Cover |
| 6:2 | 237-80 | 1 | O-Ring | 15 | 138-5045 | 2 | Clamp-Tube |
| 7 | 119-2057 | 1 | Tube-HYD | 16 | 69-9761 | 1 | Plate-Cover |
| 8 | 119-2058 | 1 | Tube-HYD | 17 | 322-20 | 1 | Screw-HH |
| 9 | 119-2063 | 1 | Tube-HYD | 18 | 322-12 | 1 | Screw-HH |
| 9:1 | 353-508 | 1 | Plug-HH | 19 | 104-8300 | 4 | Nut-HF, NI |
| 9:1:1 | 237-42 | 1 | O-Ring | 20 | 119-2092 | 1 | Bracket-Tube |
| 9:5 | 237-65 | 1 | O-Ring | 21 | 3234-47 | 2 | Screw-HHF |



Traction Drive Hose Routing Assembly

| <i>Ref.</i> | <i>Part Number</i> | <i>Qty.</i> | <i>Description</i> |
|-------------|--------------------|-------------|--------------------|
| 3 | 125-5169 | 1 | Hose-HYD |
| 5 | 340-156 | 1 | Fitting-Elbow 45 |
| 5:1 | 237-65 | 1 | O-Ring |
| 5:2 | 237-81 | 1 | O-Ring |
| 6 | 340-139 | 1 | Fitting-Elbow 90 |
| 6:1 | 237-81 | 1 | O-Ring |
| 6:2 | 237-65 | 1 | O-Ring |
| 7 | 3290-378 | 1 | Tie-Cable |
| 12 | 120-1966 | 1 | Hose-HYD |
| 14 | 2412-39 | 2 | Clamp-R |
| 15 | 32144-14 | 2 | Screw-HWHTF |



Lift Circuit Assembly

| Ref. | Part Number | Qty. | Description | Ref. | Part Number | Qty. | Description |
|------|-------------|------|------------------------------|------|-------------|------|------------------------|
| 1 | 114-4672 | 1 | Steering Valve ASM | 10 | 119-8128 | 1 | No. 1 HYD Cylinder ASM |
| 2 | 340-1 | 2 | Fitting-Straight | 11 | 119-2052 | 1 | Hose-HYD |
| 2:1 | 237-21 | 1 | O-Ring | 12 | 119-2053 | 1 | Hose-HYD |
| 2:2 | 237-42 | 1 | O-Ring | 13 | 99-5107 | 2 | Nut-Lock |
| 3 | 340-2 | 3 | Fitting-Straight | 14 | 119-2051 | 1 | Hose-HYD |
| 3:1 | 237-22 | 1 | O-Ring | 15 | 119-2050 | 1 | Hose-HYD |
| 3:2 | 237-42 | 1 | O-Ring | 16 | 115-1794 | 1 | Screw-HHF |
| 4 | 112-5709 | 2 | Pin-Tapered | 17 | 119-8126 | 1 | HYD Tube ASM |
| 5 | 119-8129 | 2 | No. 2 And 3 HYD Cylinder ASM | 17:1 | 237-22 | 1 | O-Ring |
| 6 | 340-92 | 3 | Fitting-Straight | 18 | 119-8127 | 1 | HYD Tube ASM |
| 6:1 | 237-78 | 1 | O-Ring | 18:1 | 237-22 | 1 | O-Ring |
| 6:2 | 237-21 | 1 | O-Ring | 19 | 120-3200 | 2 | Clamp-Tube |
| 7 | 340-132 | 2 | Fitting-Elbow, 90 DEG | 20 | 69-9761 | 1 | Plate-Cover |
| 7:1 | 237-78 | 1 | O-Ring | 21 | 322-12 | 1 | Screw-HH |
| 7:2 | 237-21 | 1 | O-Ring | 22 | 104-8300 | 3 | Nut-HF, NI |
| 8 | 3234-47 | 1 | Screw-HHF | 23 | 119-2066 | 1 | Hose-HYD |
| 9 | 119-8104 | 1 | Pin | 24 | 119-2065 | 1 | Hose-HYD |
| | | | | 25 | 56-7973 | 2 | Clamp-Tube |

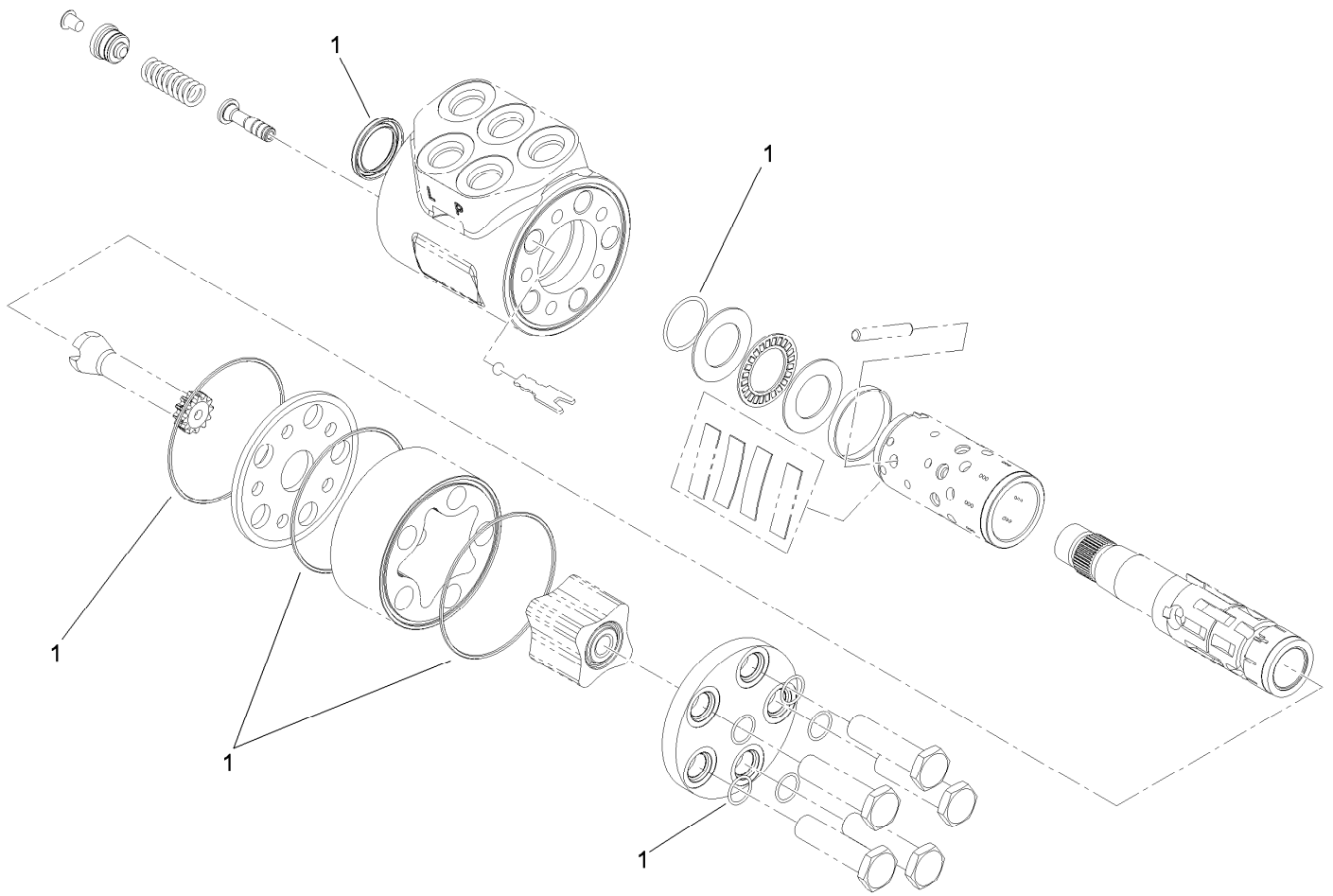
● Not serviced separately



Lift Circuit Assembly (continued)

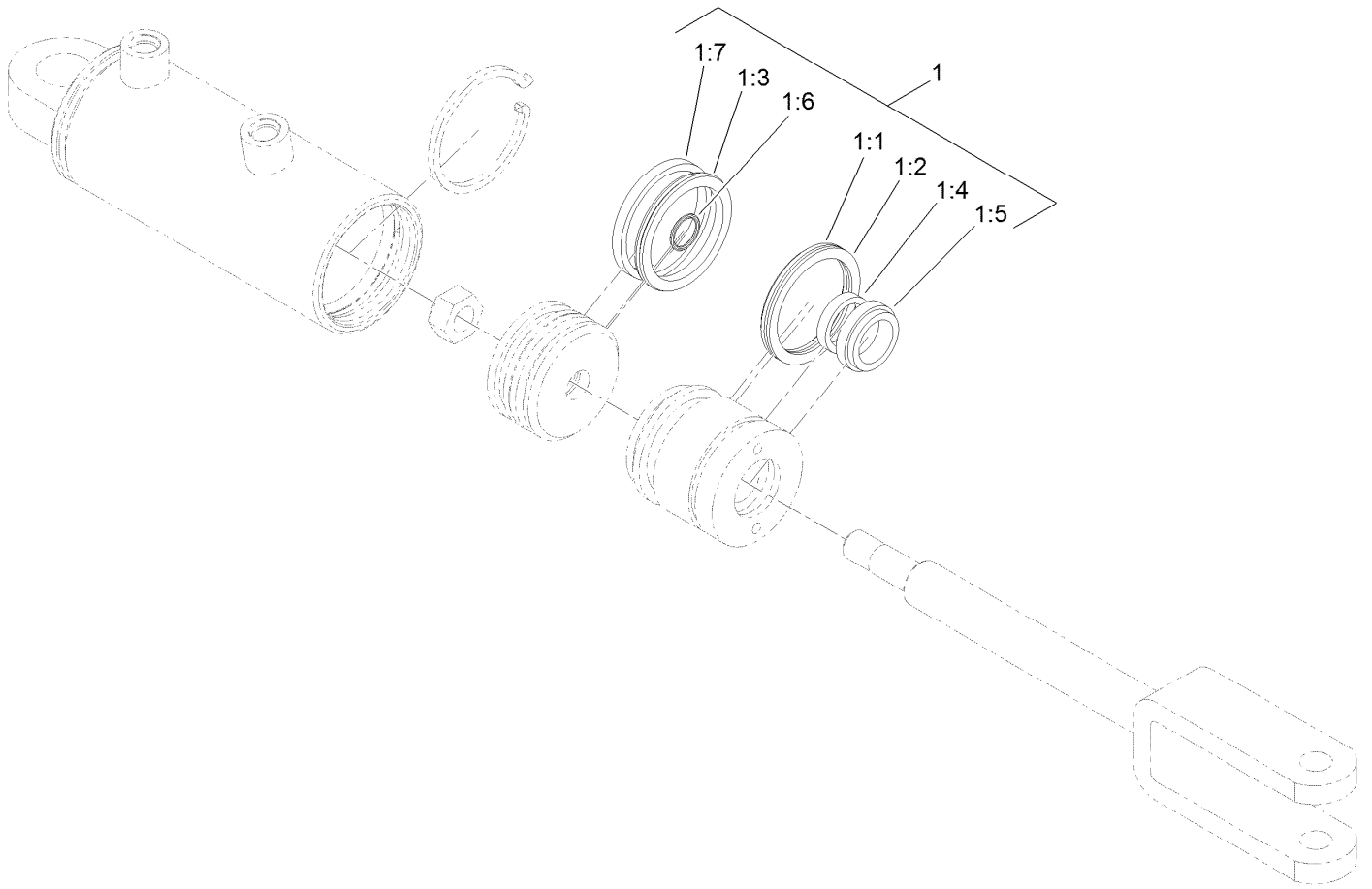
| <i>Ref.</i> | <i>Part Number</i> | <i>Qty.</i> | <i>Description</i> | <i>Ref.</i> | <i>Part Number</i> | <i>Qty.</i> | <i>Description</i> |
|-------------|--------------------|-------------|-----------------------------|-------------|--------------------|-------------|--------------------|
| 26 | | 1 | Hydraulic Lift Manifold ASM | 27:2 | 237-21 | 1 | O-Ring |
| 27 | 340-103 | 1 | Fitting-HYD, 45 DEG | 28 | 3234-7 | 2 | Screw-HHF |
| 27:1 | 237-78 | 1 | O-Ring | 29 | 33103-016 | 4 | Screw-HHF |

● Not serviced separately



Steering Valve Assembly No. 114-4672

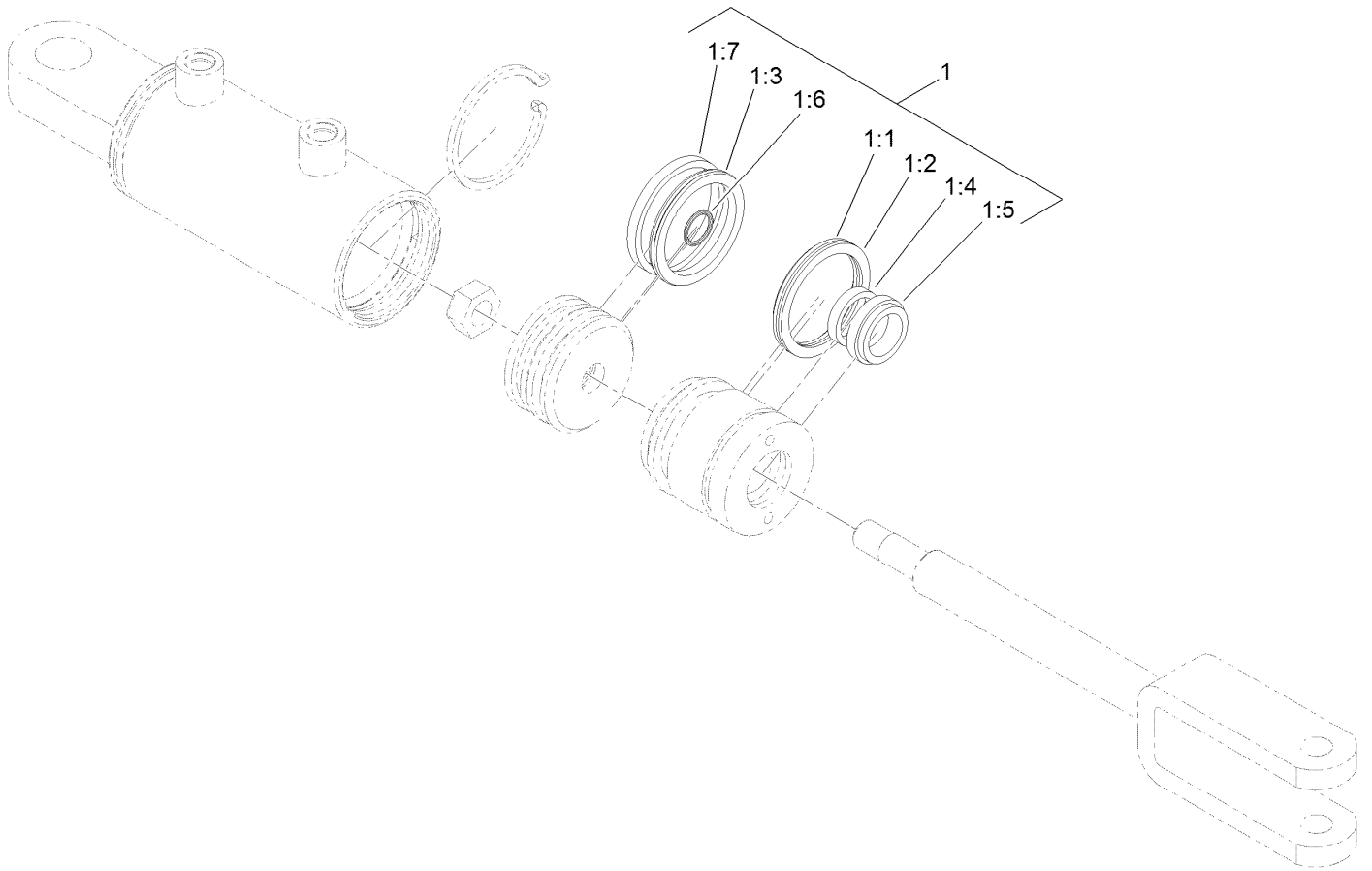
| <i>Ref.</i> | <i>Part Number</i> | <i>Qty.</i> | <i>Description</i> |
|-------------|--------------------|-------------|--------------------|
| 1 | 106-6716 | 1 | Seal Kit |



Hydraulic Cylinder Assembly No. 119-8129

| <i>Ref.</i> | <i>Part Number</i> | <i>Qty.</i> | <i>Description</i> |
|-------------|--------------------|-------------|--------------------|
| 1 | 115-3410 | 1 | Seal Kit |
| 1:1 | | 1 | O-Ring ● |
| 1:2 | | 1 | Backup ● |
| 1:3 | | 1 | Bp Seal ● |
| 1:4 | | 1 | Bs Seal ● |
| 1:5 | | 1 | Seal-Dust ● |
| 1:6 | | 1 | O-Ring ● |
| 1:7 | | 1 | Ring-Wear ● |

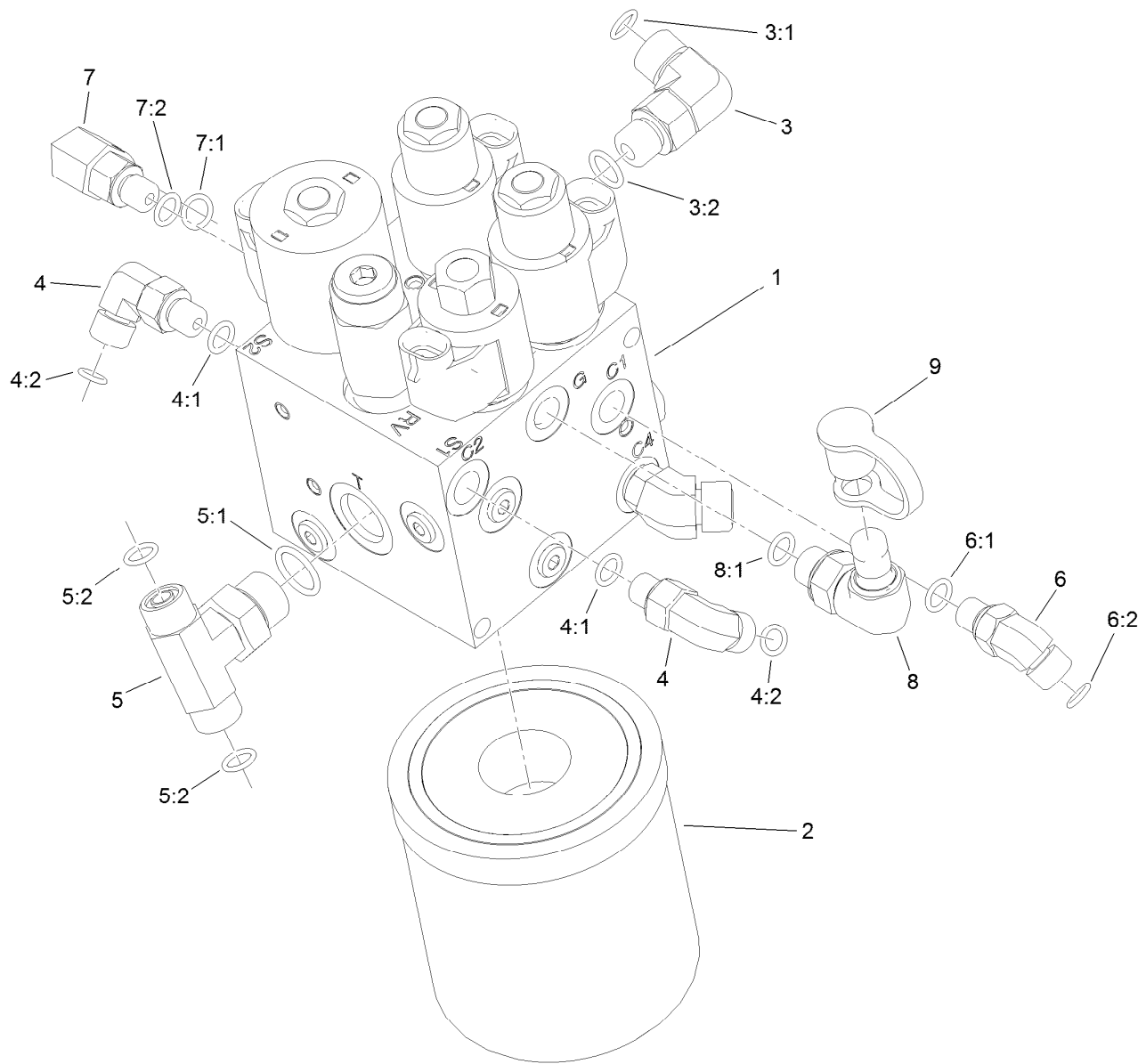
● Not serviced separately



Hydraulic Cylinder Assembly No. 119-8128

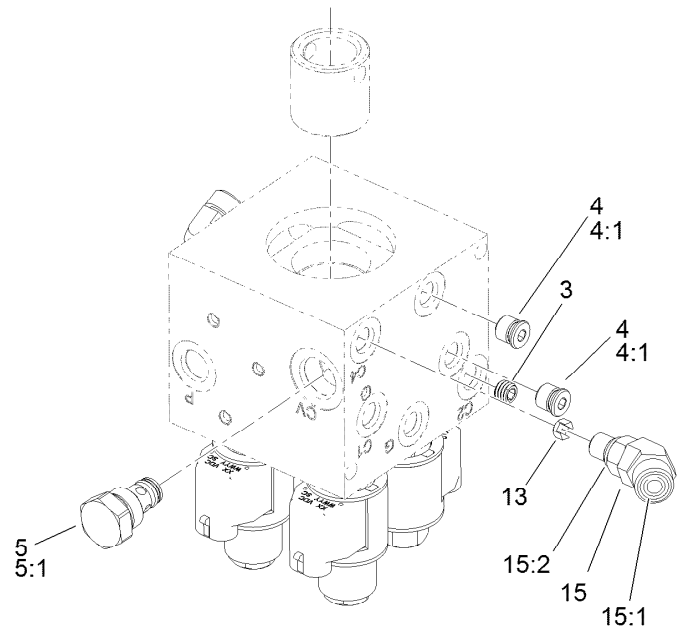
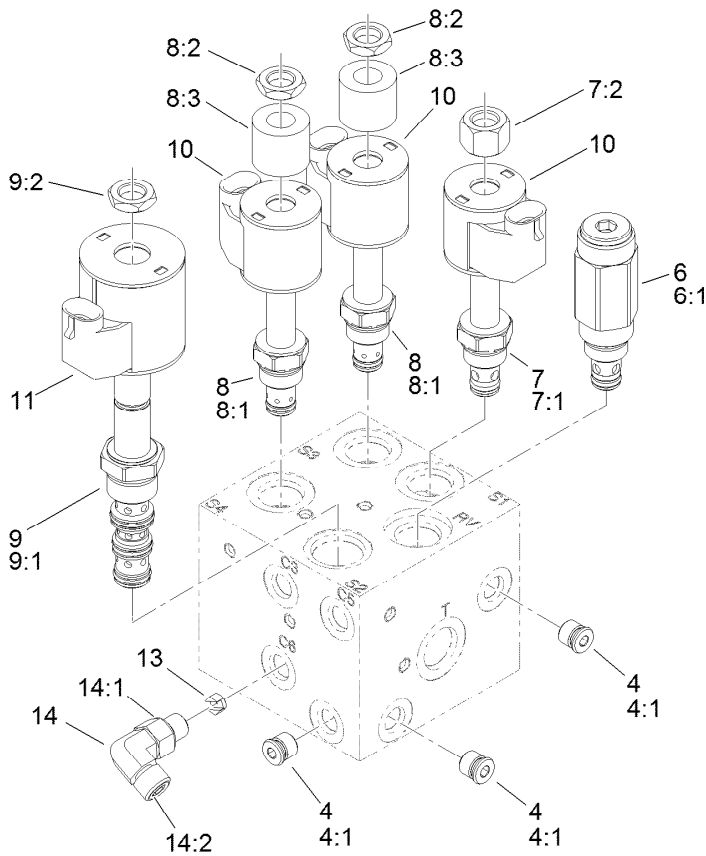
| <i>Ref.</i> | <i>Part Number</i> | <i>Qty.</i> | <i>Description</i> |
|-------------|--------------------|-------------|--------------------|
| 1 | 115-3410 | 1 | Seal Kit |
| 1:1 | | 1 | O-Ring ● |
| 1:2 | | 1 | Backup ● |
| 1:3 | | 1 | Bp Seal ● |
| 1:4 | | 1 | Bs Seal ● |
| 1:5 | | 1 | Seal-Dust ● |
| 1:6 | | 1 | O-Ring ● |
| 1:7 | | 1 | Ring-Wear ● |

● Not serviced separately



Hydraulic Lift Manifold Assembly

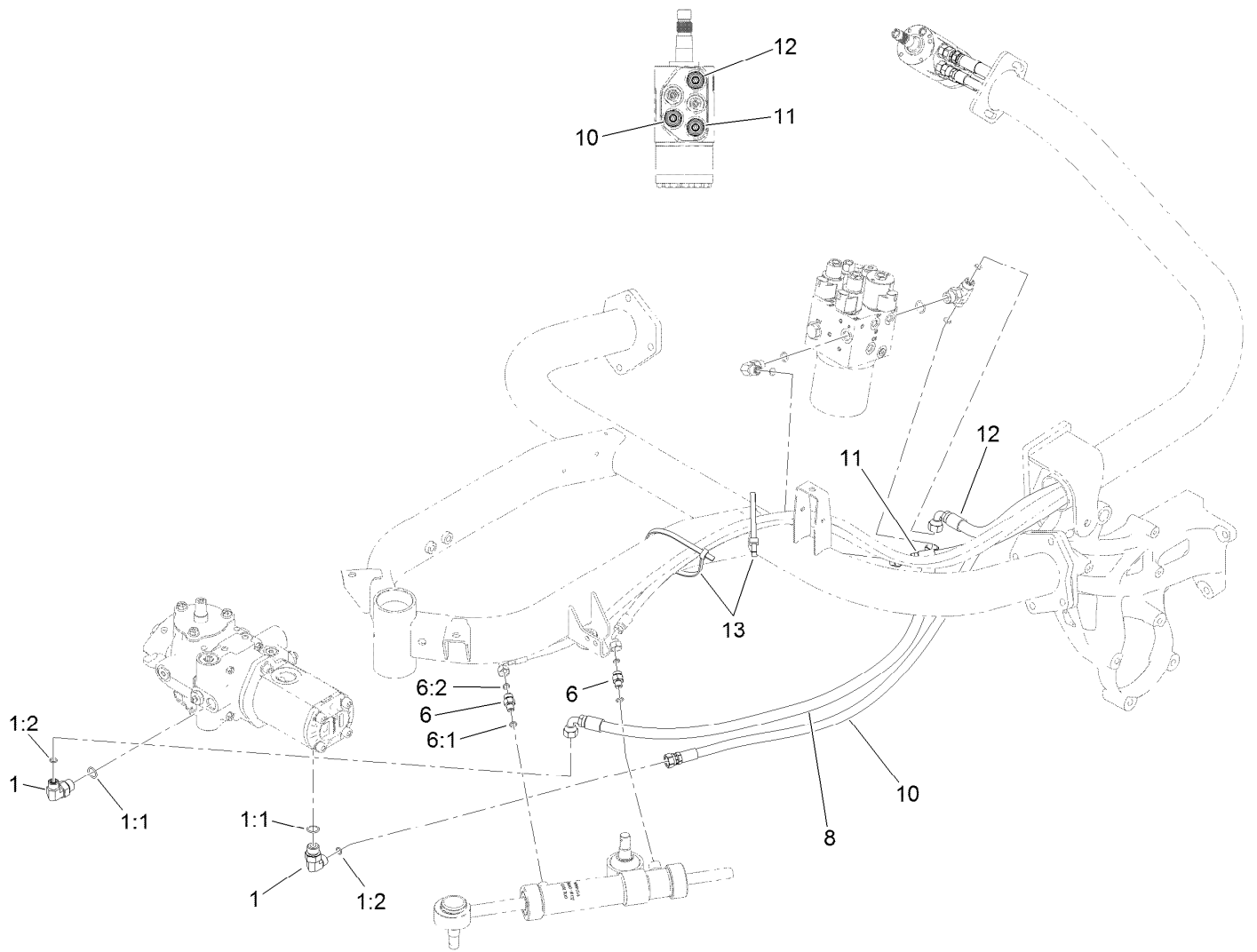
| Ref. | Part Number | Qty. | Description | Ref. | Part Number | Qty. | Description |
|------|-------------|------|-----------------------|------|-------------|------|-----------------------|
| 1 | 125-5187 | 1 | Manifold-Lift, HYD | 5:2 | 237-22 | 2 | O-Ring |
| 2 | 108-5194 | 1 | Filter-Oil, HYD | 6 | 340-103 | 1 | Fitting-HYD, 45 DEG |
| 3 | 340-77 | 1 | Fitting-Elbow, 90 DEG | 6:1 | 237-78 | 1 | O-Ring |
| 3:1 | 237-22 | 1 | O-Ring | 6:2 | 237-21 | 1 | O-Ring |
| 3:2 | 237-42 | 1 | O-Ring | 7 | 340-97 | 1 | Fitting-Elbow, 90 DEG |
| 4 | 340-132 | 2 | Fitting-Elbow, 90 DEG | 7:1 | 237-22 | 1 | O-Ring |
| 4:1 | 237-78 | 1 | O-Ring | 7:2 | 237-78 | 1 | O-Ring |
| 4:2 | 237-21 | 1 | O-Ring | 8 | 115-9147 | 1 | Fitting-Elbow, 90 DEG |
| 5 | 92-4799 | 1 | Fitting-Tee, HYD | 8:1 | 237-78 | 1 | O-Ring |
| 5:1 | 237-79 | 1 | O-Ring | 9 | 354-79 | 1 | Cap-Dust |



Hydraulic Lift Manifold Assembly No. 125-5187

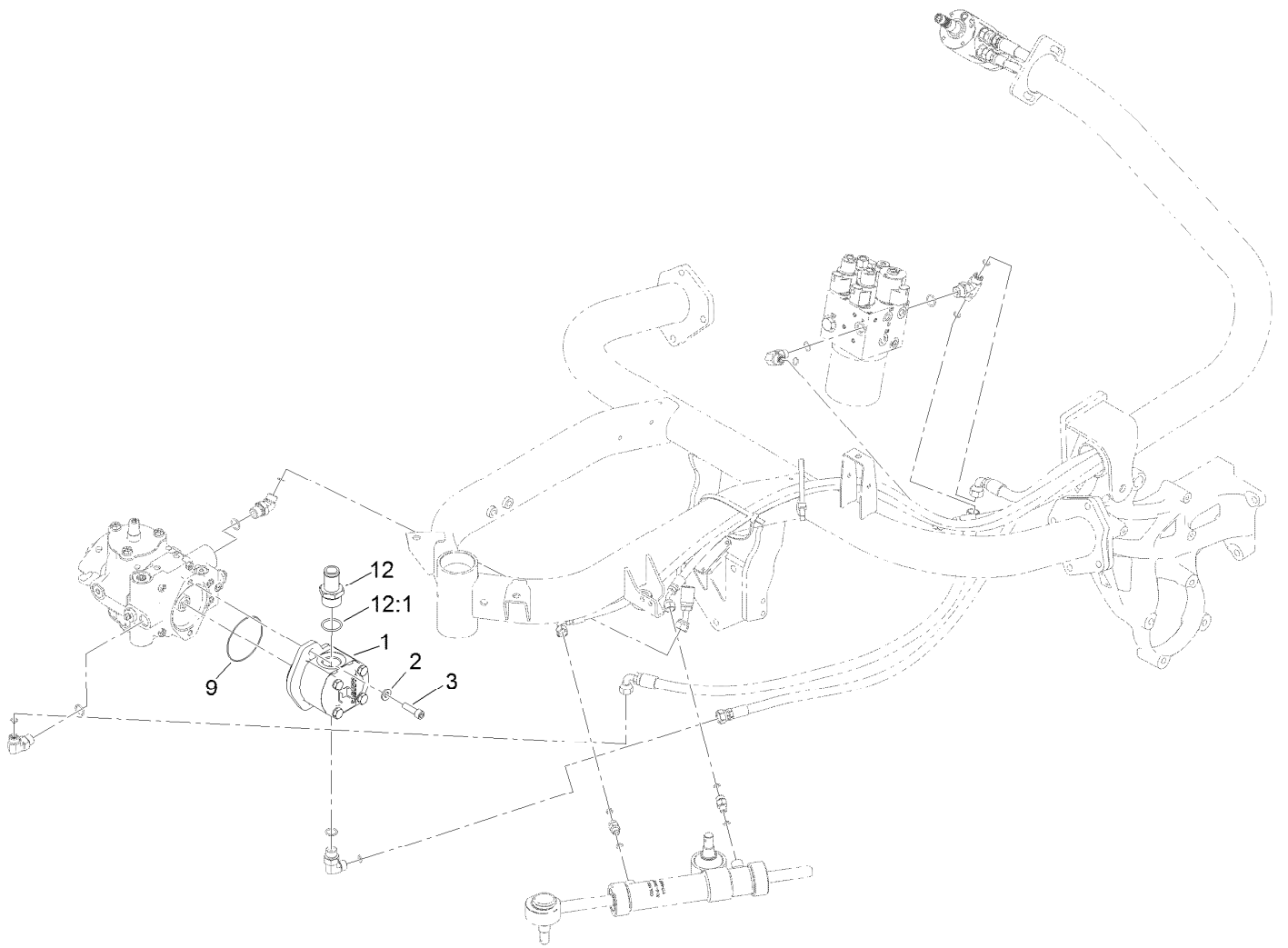
| Ref. | Part Number | Qty. | Description |
|------|-------------|------|---------------------|
| 3 | 119-7144 | 1 | Orifice (.037 Inch) |
| 4 | 353-990 | 5 | Plug ASM |
| 4:1 | 237-78 | 1 | O-Ring |
| 5 | 107-7524 | 1 | Check Valve ASM |
| 5:1 | 105-9156 | 1 | Seal Kit |
| 6 | 112-9207 | 1 | Valve-Relief |
| 6:1 | 105-9156 | 1 | Seal Kit |
| 7 | 107-7517 | 1 | Valve-Solenoid |
| 7:1 | 105-9156 | 1 | Seal Kit |
| 7:2 | 107-7812 | 1 | Nut-Solenoid |
| 8 | 110-8898 | 2 | Valve-Solenoid |
| 8:1 | 107-7527 | 1 | Seal Kit |
| 8:2 | 110-2634 | 1 | Nut-Coil |

| Ref. | Part Number | Qty. | Description |
|------|-------------|------|-------------------------------|
| 8:3 | 110-8909 | 1 | Spacer-Coil |
| 9 | 110-8906 | 1 | Valve-Solenoid |
| 9:1 | 110-8908 | 1 | Spool Valve Seal Kit |
| 9:2 | 110-2634 | 1 | Nut-Coil |
| 10 | 110-0497 | 3 | Coil-Solenoid |
| 11 | 110-6344 | 1 | Coil-12V, DC |
| 13 | 125-5211 | 2 | Orifice-Control, Flow (0.030) |
| 14 | 340-132 | 1 | Fitting-Elbow, 90 DEG |
| 14:1 | 237-78 | 1 | O-Ring |
| 14:2 | 237-21 | 1 | O-Ring |
| 15 | 340-54 | 1 | Elbow-45 DEG |
| 15:1 | 237-22 | 1 | O-Ring |
| 15:2 | 237-78 | 1 | O-Ring |



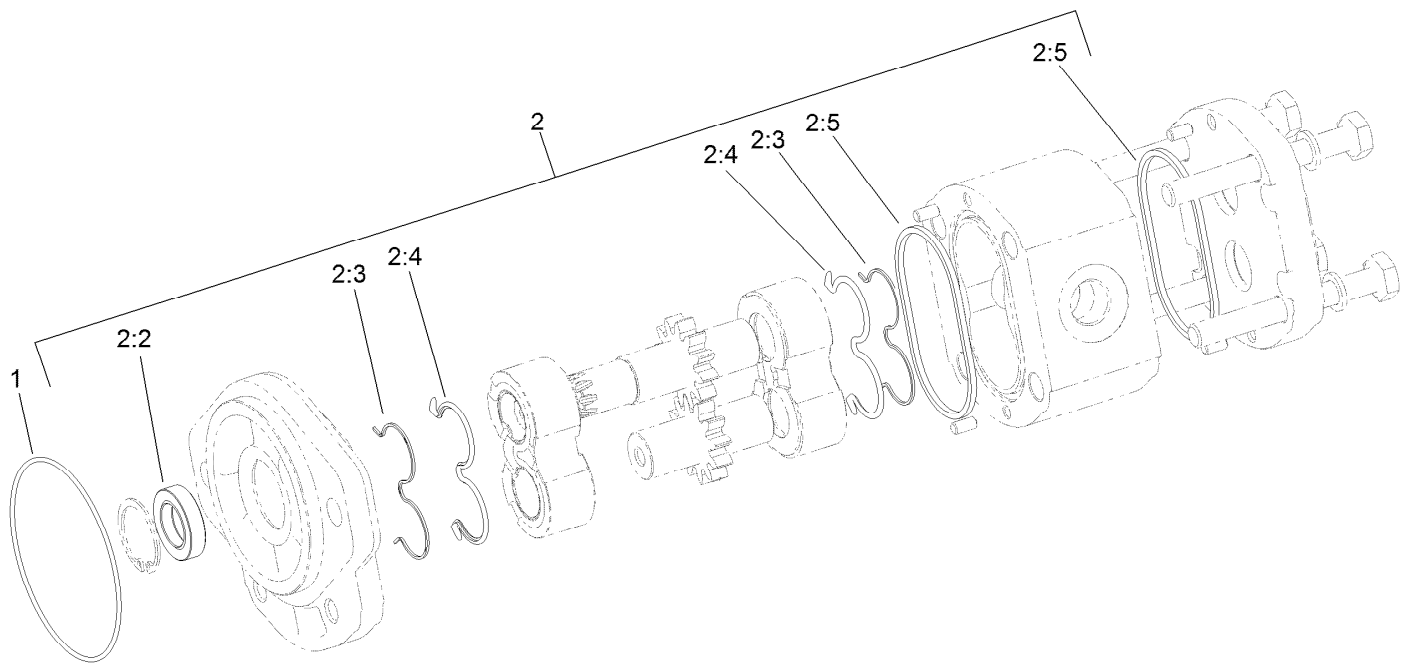
Steering Circuit Assembly (1)

| Ref. | Part Number | Qty. | Description |
|------|-------------|------|---------------------|
| 1 | 340-18 | 2 | Fitting-HYD, 90 DEG |
| 1:1 | 237-79 | 1 | O-Ring |
| 1:2 | 237-22 | 1 | O-Ring |
| 6 | 340-92 | 2 | Fitting-Straight |
| 6:1 | 237-78 | 1 | O-Ring |
| 6:2 | 237-21 | 1 | O-Ring |
| 8 | 125-5168 | 1 | Hose-HYD |
| 10 | 125-5167 | 1 | Hose-HYD |
| 11 | 117-3683 | 1 | Hose-HYD |
| 12 | 125-5166 | 1 | Hose-HYD |
| 13 | 3334-945 | 2 | Tie-Cable |



Steering Circuit Assembly (2)

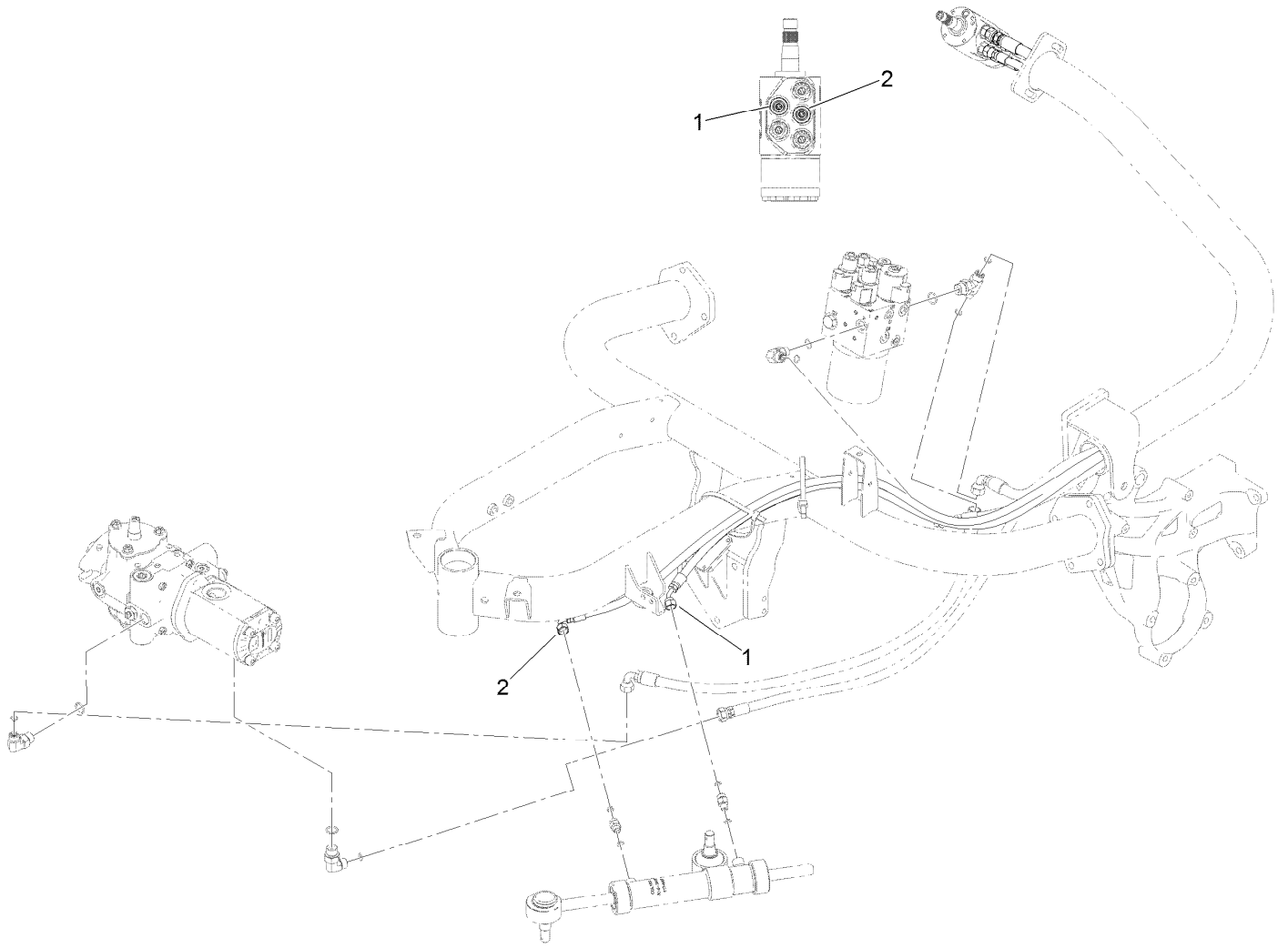
| <i>Ref.</i> | <i>Part Number</i> | <i>Qty.</i> | <i>Description</i> |
|-------------|--------------------|-------------|--------------------|
| 1 | 114-9958 | 1 | HYD Gear Pump ASM |
| 2 | 100-4852 | 2 | Washer-Hardened |
| 3 | 3274-1 | 2 | Screw-HSH |
| 9 | 353-949 | 1 | O-Ring |
| 12 | 354-78 | 1 | Fitting-STR |
| 12:1 | 237-146 | 1 | O-Ring |



Hydraulic Gear Pump Assembly No. 114-9958

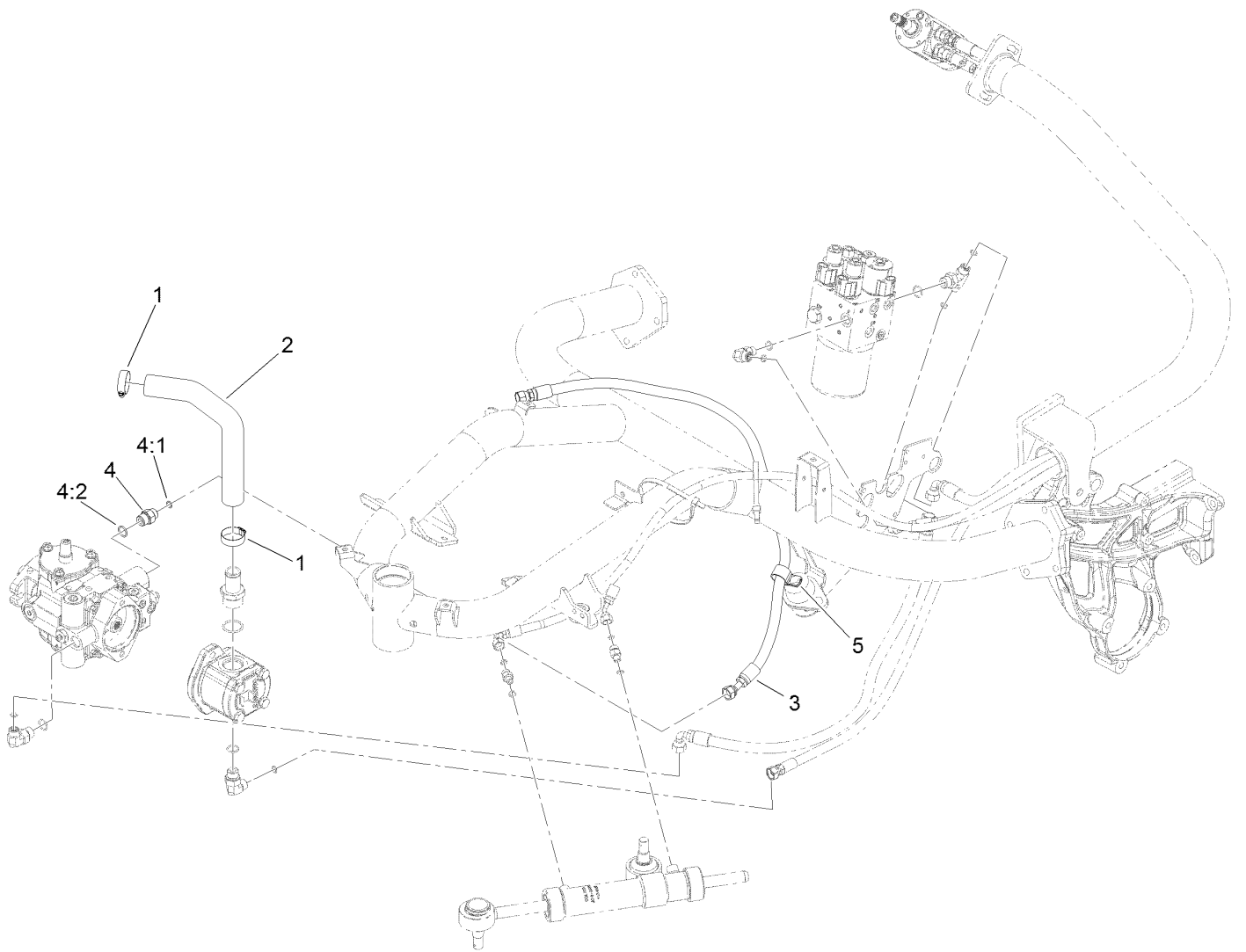
| <i>Ref.</i> | <i>Part Number</i> | <i>Qty.</i> | <i>Description</i> |
|-------------|--------------------|-------------|-----------------------|
| 1 | 353-949 | 1 | O-Ring |
| 2 | 119-7135 | 1 | Kit-Seal |
| 2:2 | | 1 | Shaft Seal ● |
| 2:3 | | 2 | Anti-Extrusion Seal ● |
| 2:4 | | 2 | Seal ● |
| 2:5 | | 2 | Seal Square Section ● |

● Not serviced separately



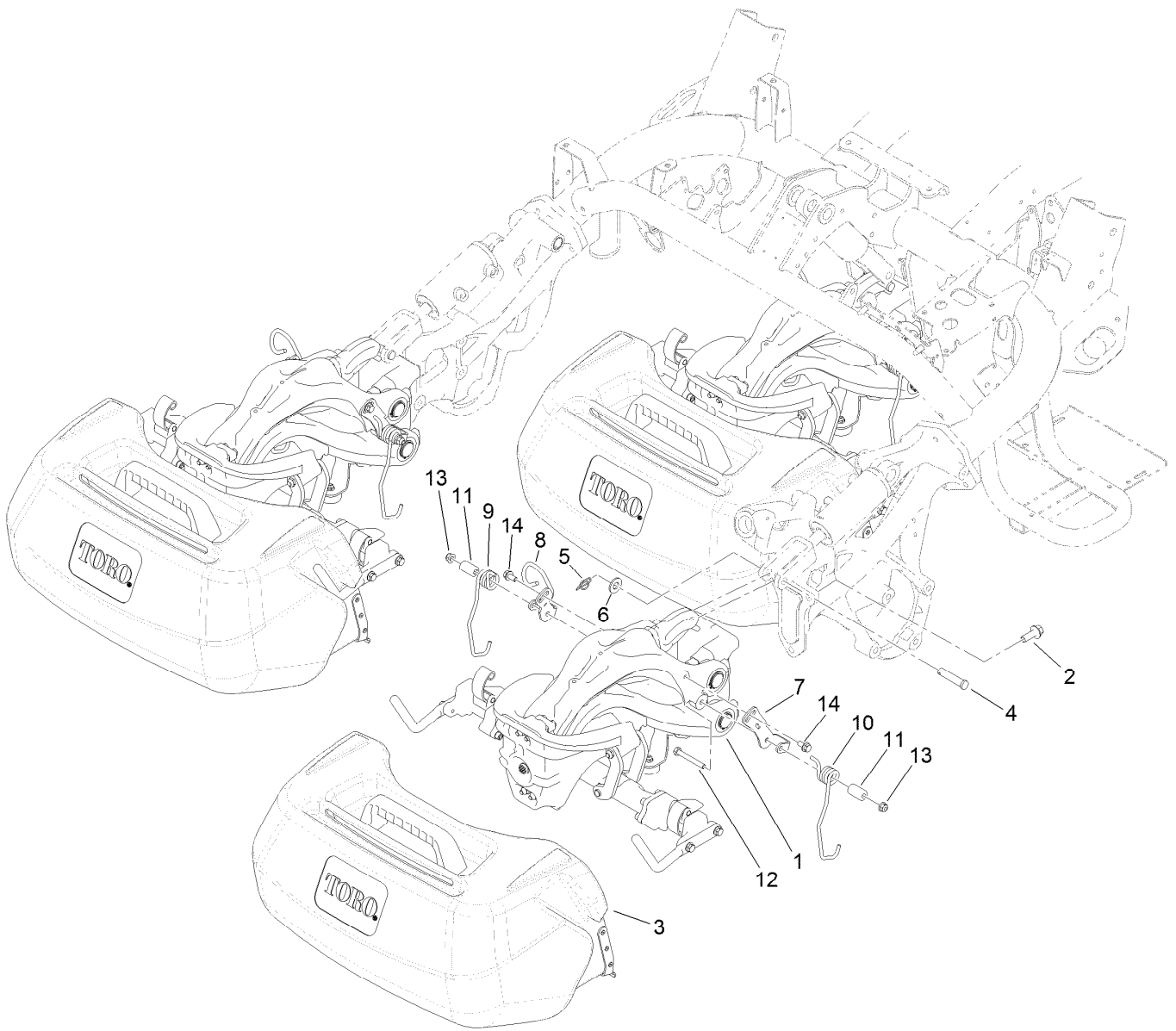
Steering Circuit Assembly (3)

| <i>Ref.</i> | <i>Part Number</i> | <i>Qty.</i> | <i>Description</i> |
|-------------|--------------------|-------------|--------------------|
| 1 | 117-3685 | 1 | Hose-HYD |
| 2 | 117-3688 | 1 | Hose-HYD |



Steering Circuit Assembly (4)

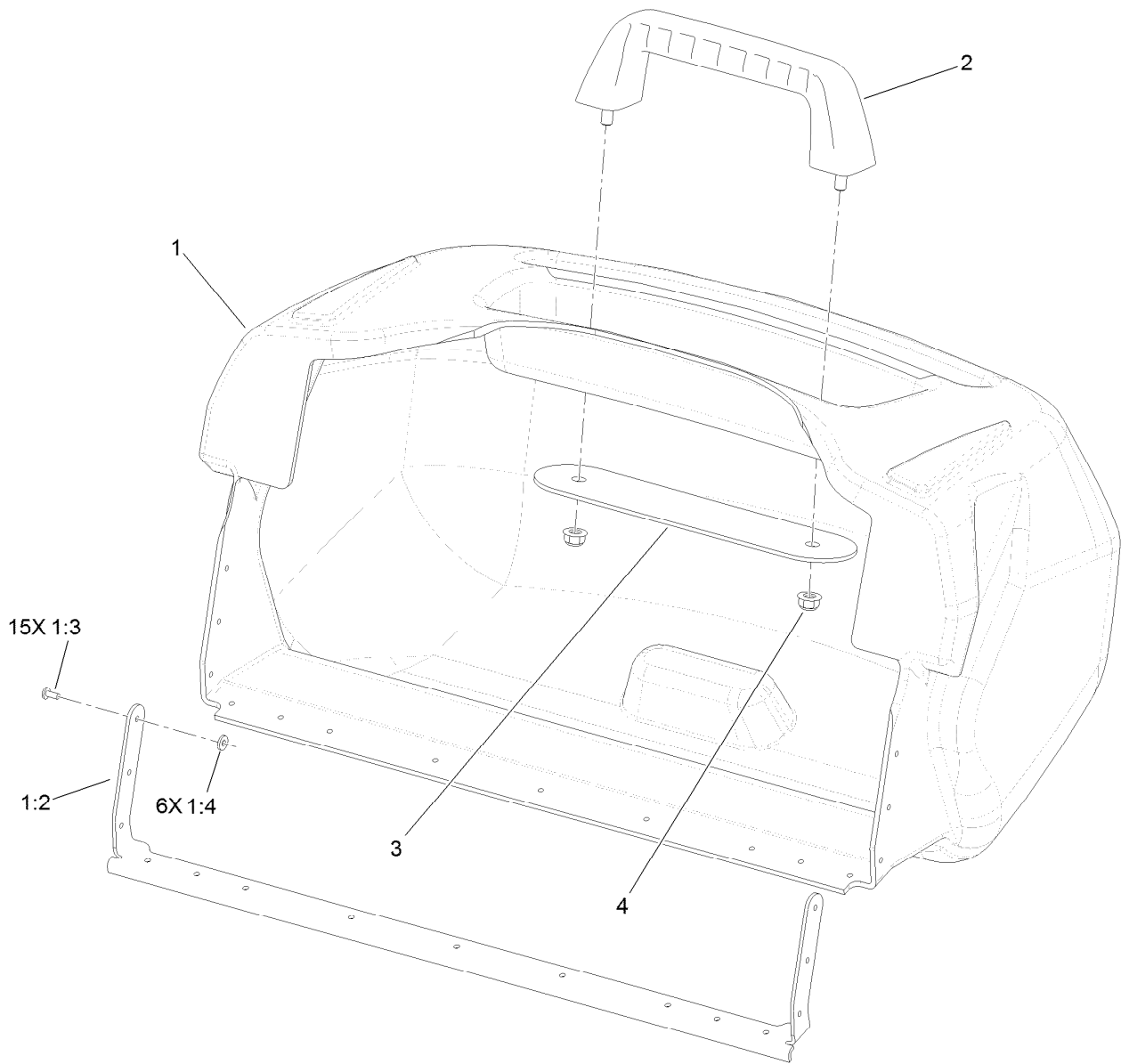
| <i>Ref.</i> | <i>Part Number</i> | <i>Qty.</i> | <i>Description</i> |
|-------------|--------------------|-------------|--------------------|
| 1 | 2412-34 | 2 | Clamp-Hose |
| 2 | 119-2068 | 1 | Hose-Suction |
| 3 | 120-1963 | 1 | Hose-HYD |
| 4 | 340-3 | 1 | Fitting-Straight |
| 4:1 | 237-22 | 1 | O-Ring |
| 4:2 | 237-79 | 1 | O-Ring |
| 5 | 2412-39 | 1 | Clamp-R |



Suspension and Basket Assembly

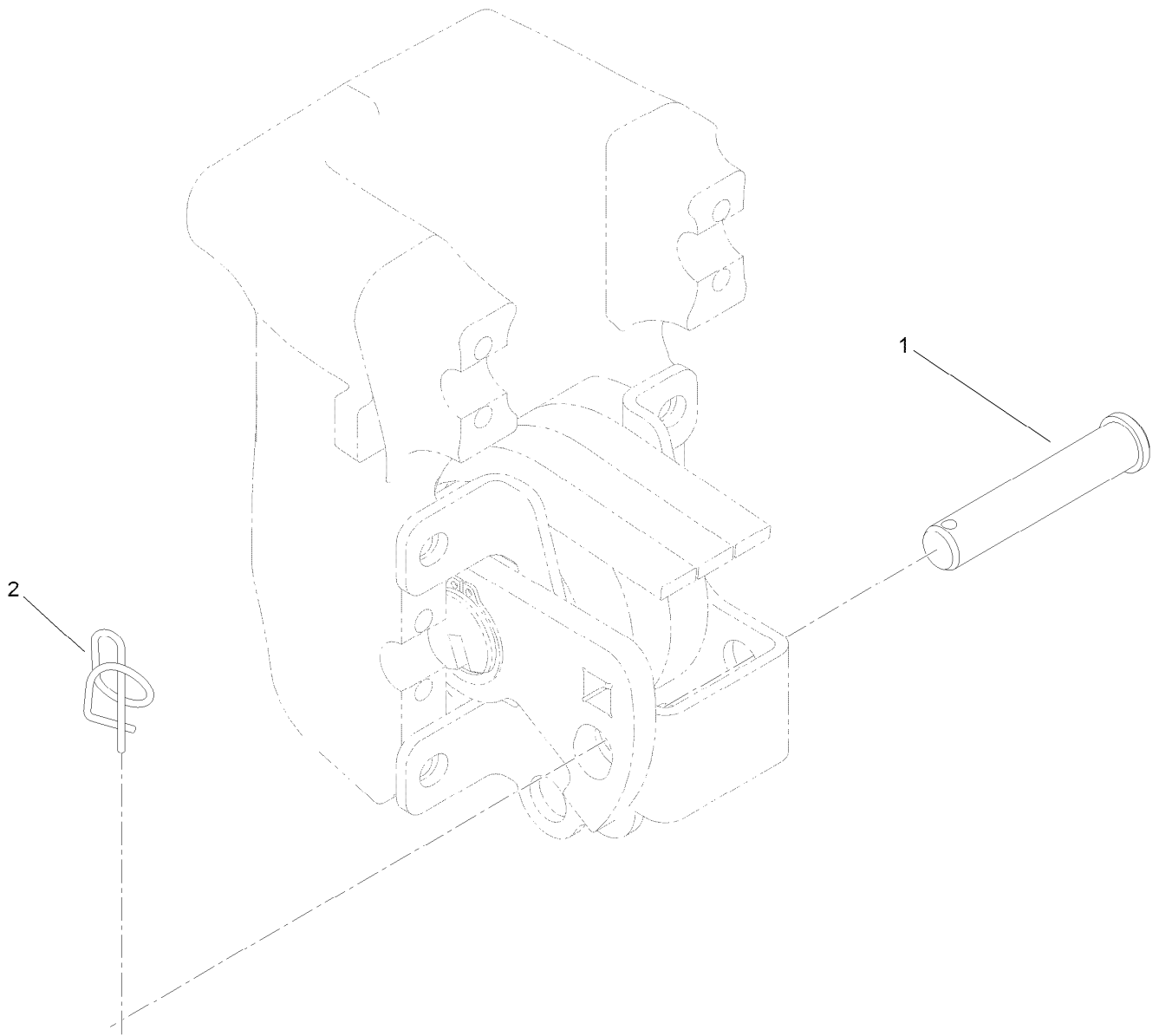
| Ref. | Part Number | Qty. | Description |
|------|-------------|------|-----------------------|
| 1 | | 3 | Suspension ASM ● |
| 2 | 117-9035 | 9 | Screw-HHF |
| 3 | 132-9599 | 3 | Basket ASM |
| 4 | 92-2739 | 3 | Pin-Clevis |
| 5 | 112-1491 | 3 | Pin-Cotter |
| 6 | 29-8910 | 3 | Washer |
| 7 | 133-8998 | 3 | Retainer-Spring, LH |
| 8 | 133-9025 | 3 | Bracket ASM |
| 9 | 117-6826 | 3 | Spring-Stabilizer, RH |
| 10 | 117-6827 | 3 | Spring-Stabilizer, LH |
| 11 | 117-6825 | 6 | Spacer |
| 12 | 322-12 | 6 | Screw-HH |
| 13 | 104-8300 | 6 | Nut-HF, NI |
| 14 | 114-7728 | 6 | Screw-HF |

● Not serviced separately



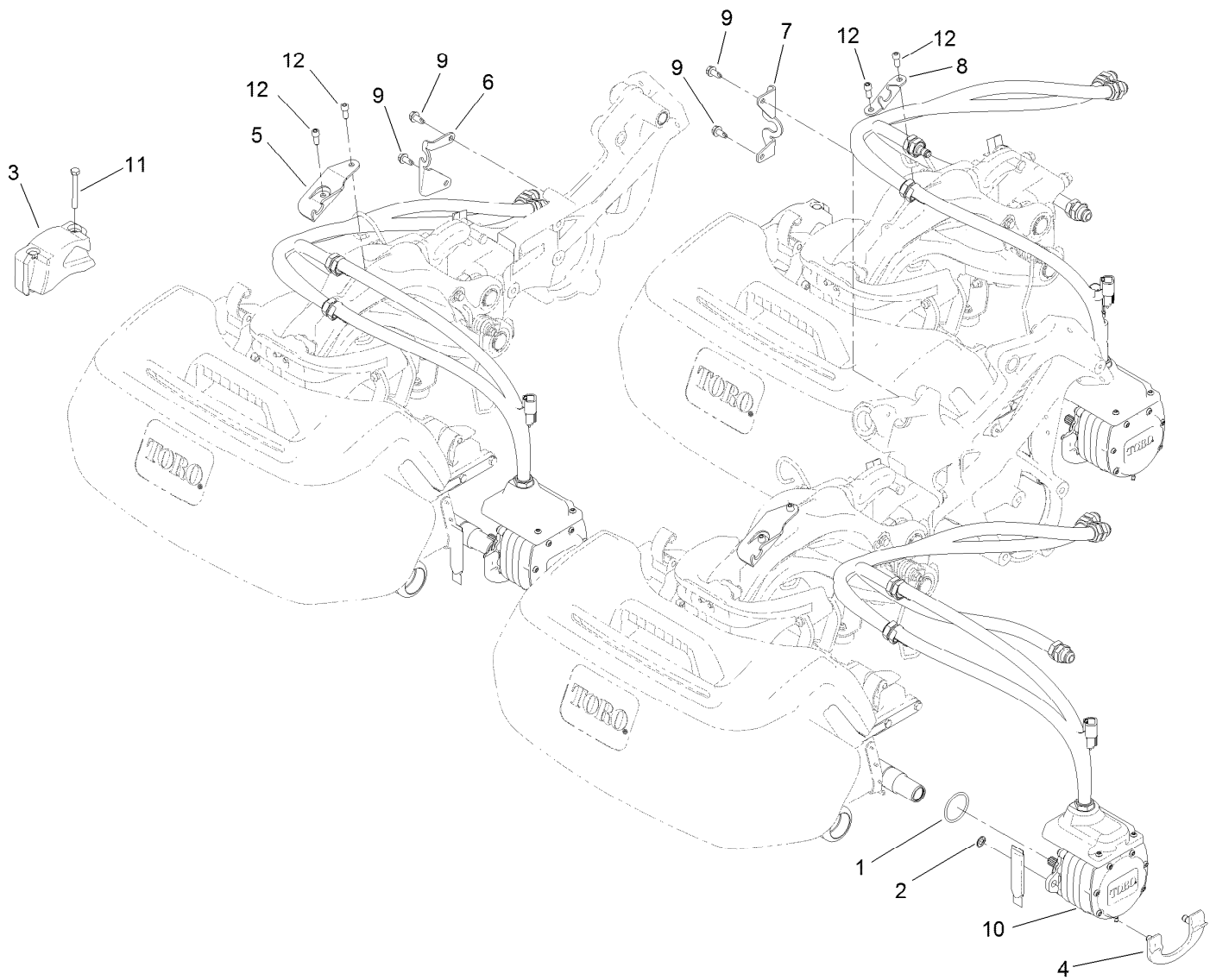
Basket Assembly No. 132-9599

| Ref. | Part Number | Qty. | Description |
|------|-------------|------|-----------------|
| 1 | 132-9510 | 1 | Basket Assembly |
| 1:2 | 132-3806 | 1 | Support-Basket |
| 1:3 | 3269-25 | 15 | Rivet-Pop |
| 1:4 | 3256-75 | 6 | Washer-Flat |
| 2 | 117-8088 | 1 | Handle-Grab |
| 3 | 117-8092-03 | 1 | Plate-Mounting |
| 4 | 104-8300 | 2 | Nut-HF, NI |



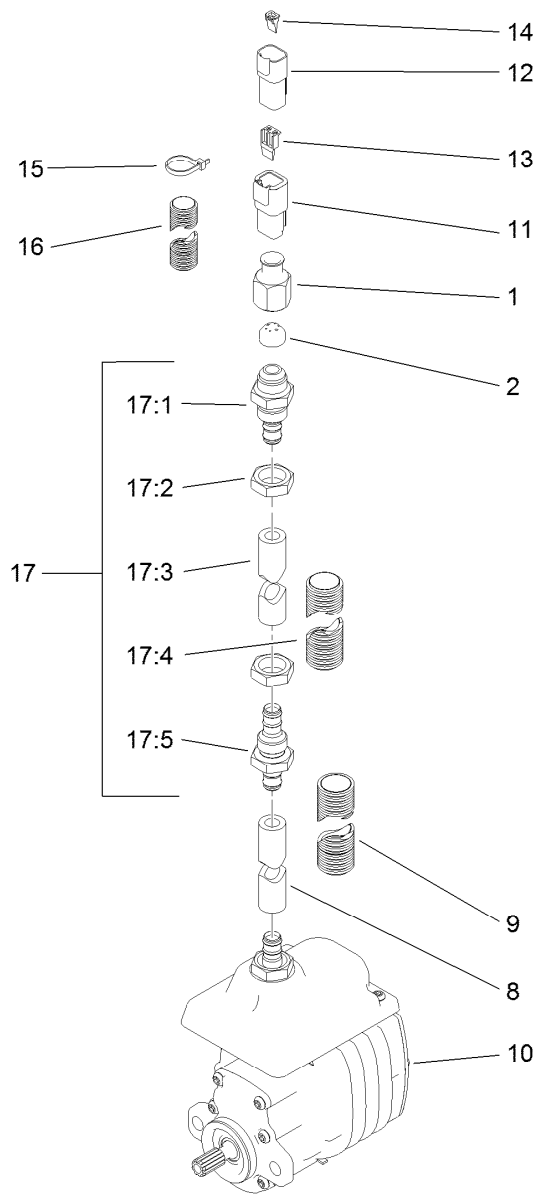
Suspension Pin Position Assembly

| <i>Ref.</i> | <i>Part Number</i> | <i>Qty.</i> | <i>Description</i> |
|-------------|--------------------|-------------|--------------------|
| 1 | 100-6541 | 3 | Pin-Clevis |
| 2 | 112-1491 | 3 | Pin-Cotter |



Electric Motor and Bracket Assembly

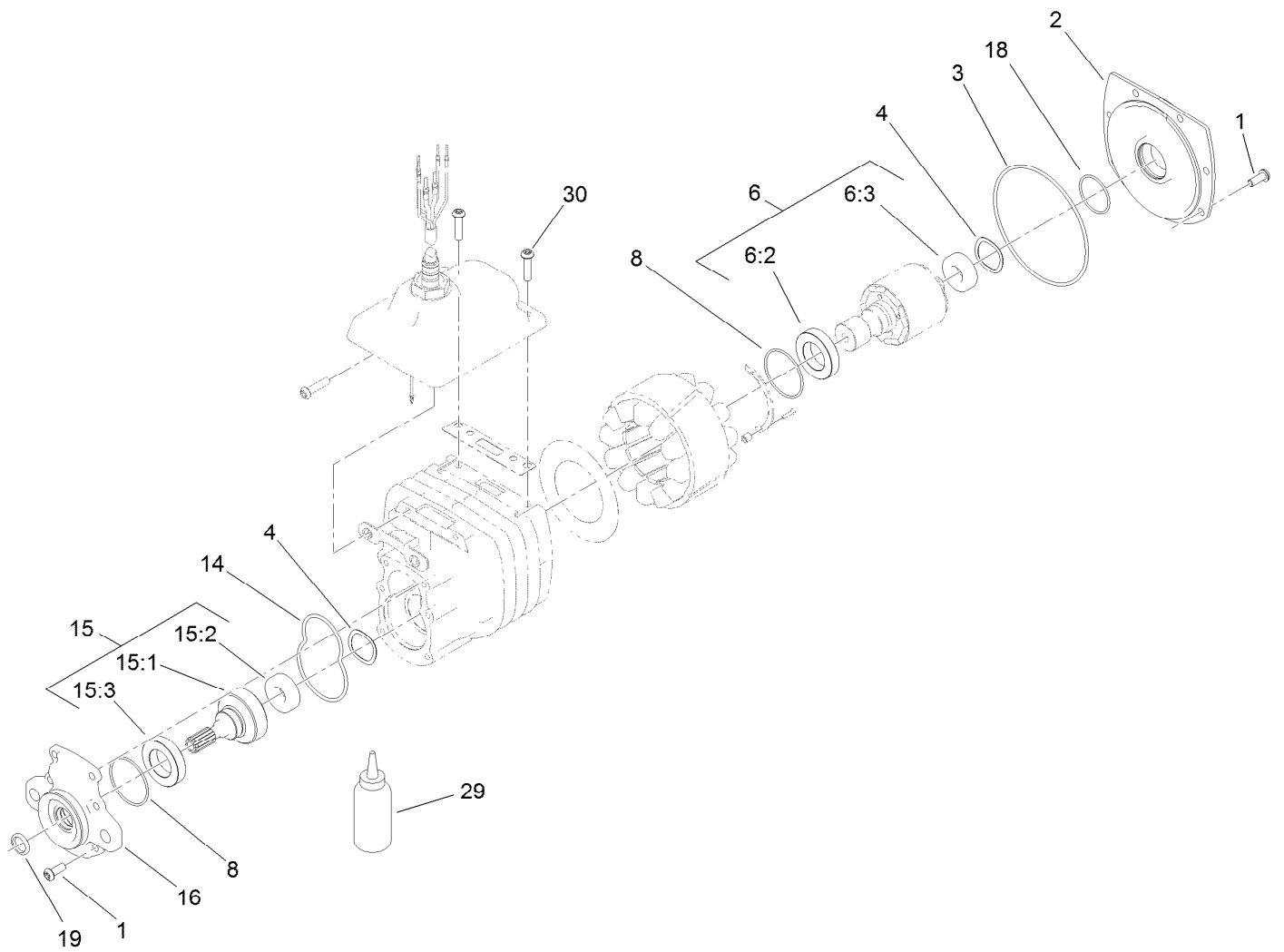
| Ref. | Part Number | Qty. | Description |
|------|-------------|------|-------------------------|
| 1 | 115-3298 | 3 | O-Ring |
| 2 | 133-8926 | 6 | Ring-Retaining (Metric) |
| 3 | 117-6774-03 | 3 | Weight-Electric |
| 4 | 115-5389 | 3 | Cam-Mount, Motor |
| 5 | 119-7487 | 2 | Bracket-Clamp, Hose |
| 6 | 120-4551 | 1 | Bracket-Hose |
| 7 | 120-4531 | 1 | Bracket-Hose |
| 8 | 119-7540 | 1 | Bracket-Hose, Rear |
| 9 | 32104-32 | 4 | Screw-HWH |
| 10 | 127-2450 | 3 | Motor-Electric |
| 11 | 322-13 | 6 | Screw-HH |
| 12 | 100-2401 | 6 | Screw-HSH |



Electric Reel Motor Assembly No. 127-2450

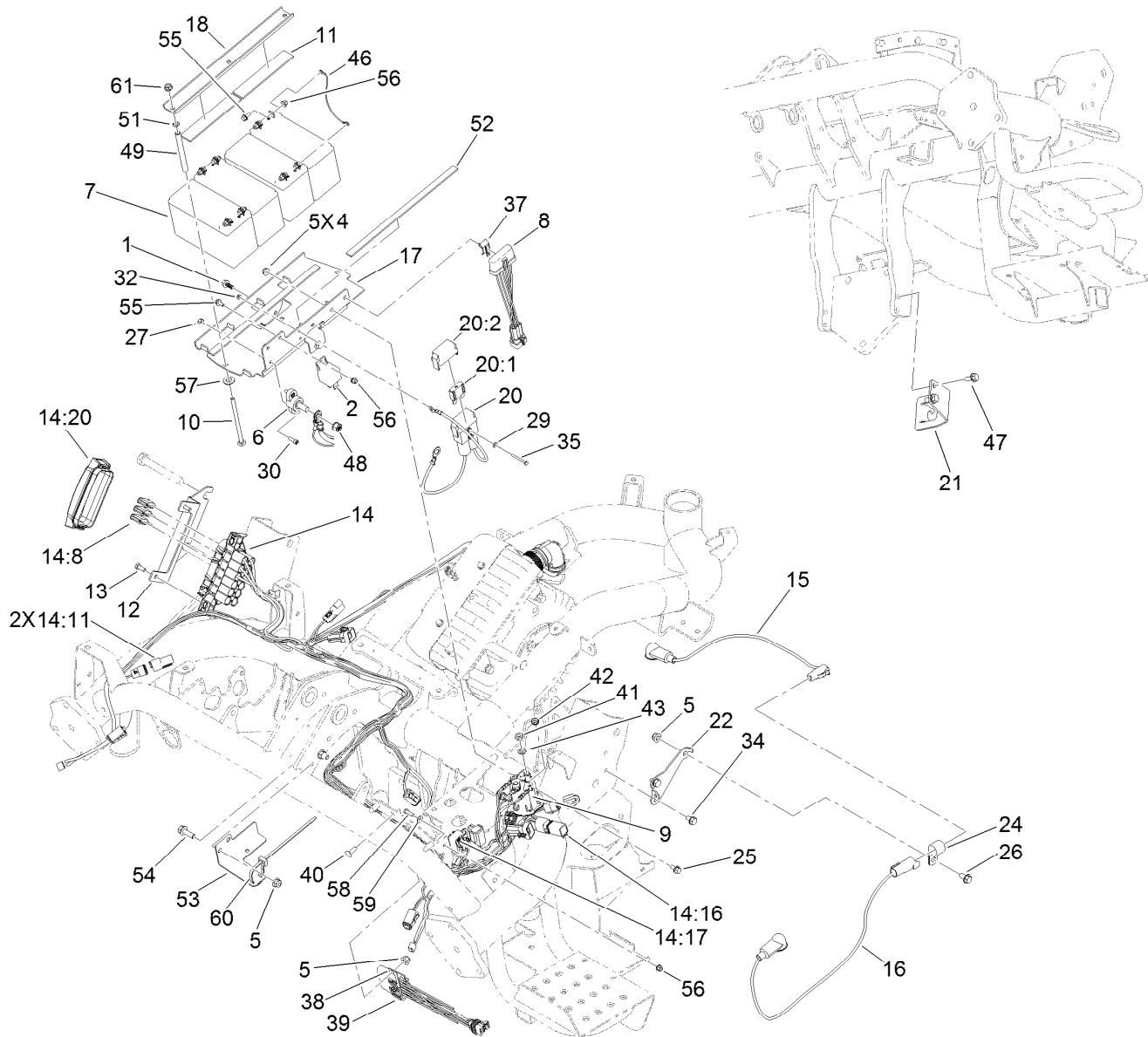
| <i>Ref.</i> | <i>Part Number</i> | <i>Qty.</i> | <i>Description</i> | <i>Ref.</i> | <i>Part Number</i> | <i>Qty.</i> | <i>Description</i> |
|-------------|--------------------|-------------|-------------------------|-------------|--------------------|-------------|-------------------------|
| 1 | 119-7481 | 1 | Nut-Ferrule | 15 | 3290-378 | 4 | Tie-Cable |
| 2 | 119-7480 | 1 | Ferrule | 16 | 120-3223 | 1 | Tubing-Convoluted, Slit |
| 8 | 119-7476 | 1 | Hose | 17 | 120-4532 | 1 | Hose ASM |
| 9 | 119-7558 | 1 | Tubing-Convoluted, Slit | 17:1 | 119-7545 | 1 | Fitting-Bulkhead |
| 10 | | 1 | Electric Motor ● | 17:2 | 119-7457 | 2 | Nut |
| 11 | 32160-245 | 1 | Connector | 17:3 | 119-7524 | 1 | Hose |
| 12 | 32160-315 | 1 | Connector | 17:4 | 119-7559 | 1 | Tubing-Convoluted, Slit |
| 13 | 32180-083 | 1 | Wedge | 17:5 | 119-7544 | 1 | Fitting-Bulkhead |
| 14 | 32180-084 | 1 | Wedge | | | | |

● Not serviced separately



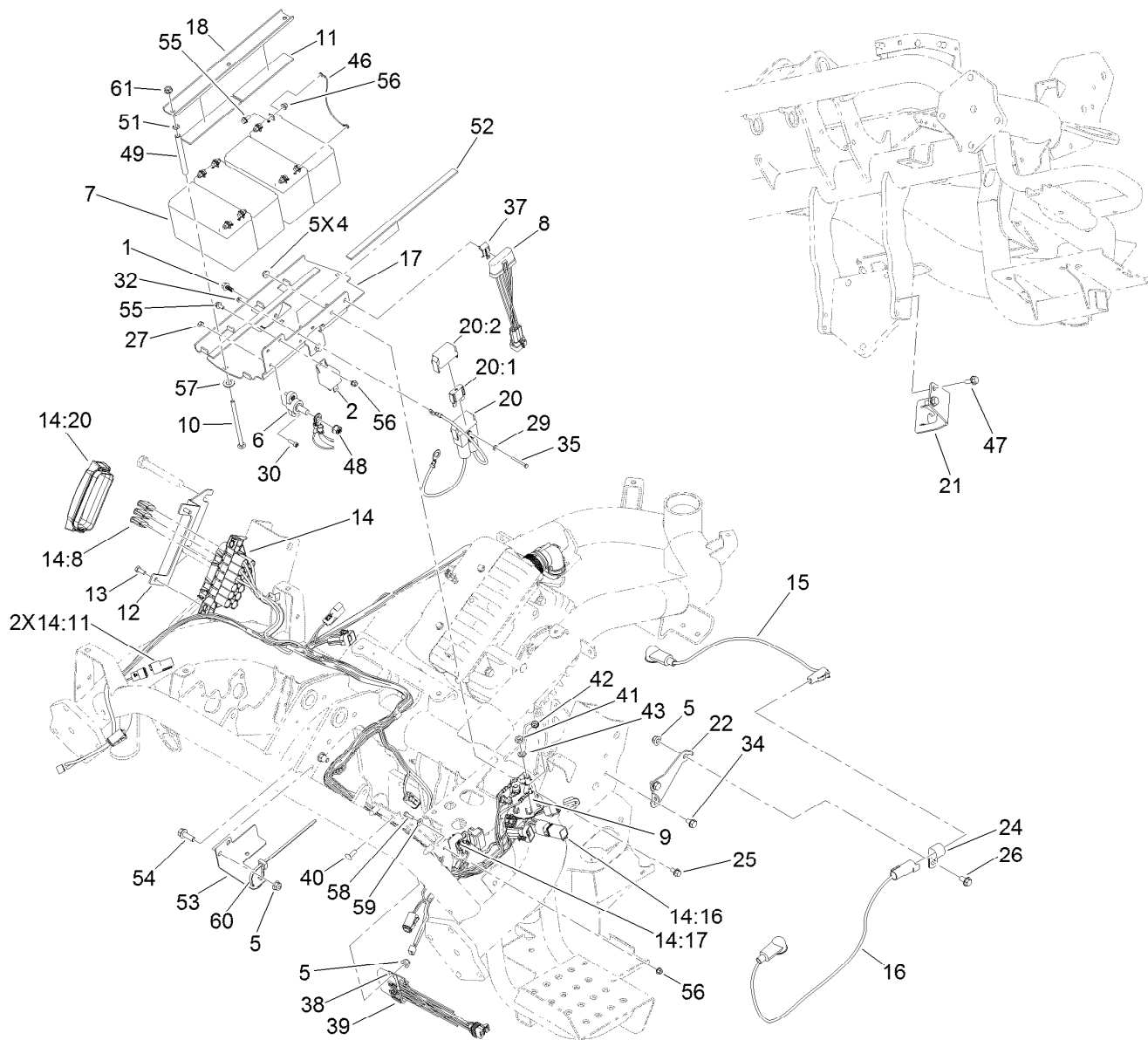
Electric Motor Assembly

| <i>Ref.</i> | <i>Part Number</i> | <i>Qty.</i> | <i>Description</i> | <i>Ref.</i> | <i>Part Number</i> | <i>Qty.</i> | <i>Description</i> |
|-------------|--------------------|-------------|--------------------|-------------|--------------------|-------------|--------------------|
| 1 | 120-4559 | 12 | Screw-BHCS | 15 | 115-4782 | 1 | Output Gear ASM |
| 2 | 115-4779 | 1 | Cover-Motor | 15:1 | 112-5153 | 1 | Gear-Output |
| 3 | 112-9609 | 1 | O-Ring | 15:2 | 120-4557 | 1 | Bearing |
| 4 | 112-5163 | 2 | Washer-Wave | 15:3 | 112-5158 | 1 | Bearing-Ball |
| 6 | 119-7450 | 1 | Rotor ASM | 16 | 115-4777 | 1 | Cover-Gearbox |
| 6:2 | 112-5158 | 1 | Bearing-Ball | 18 | 119-1156 | 1 | O-Ring |
| 6:3 | 120-4557 | 1 | Bearing | 19 | 119-7451 | 1 | Seal-Oil |
| 8 | 112-9616 | 2 | O-Ring | 29 | 136-8595 | 1 | Grease-Synthetic |
| 14 | 112-9611 | 1 | O-Ring | 30 | 127-2424 | 2 | Screw-BHCS |



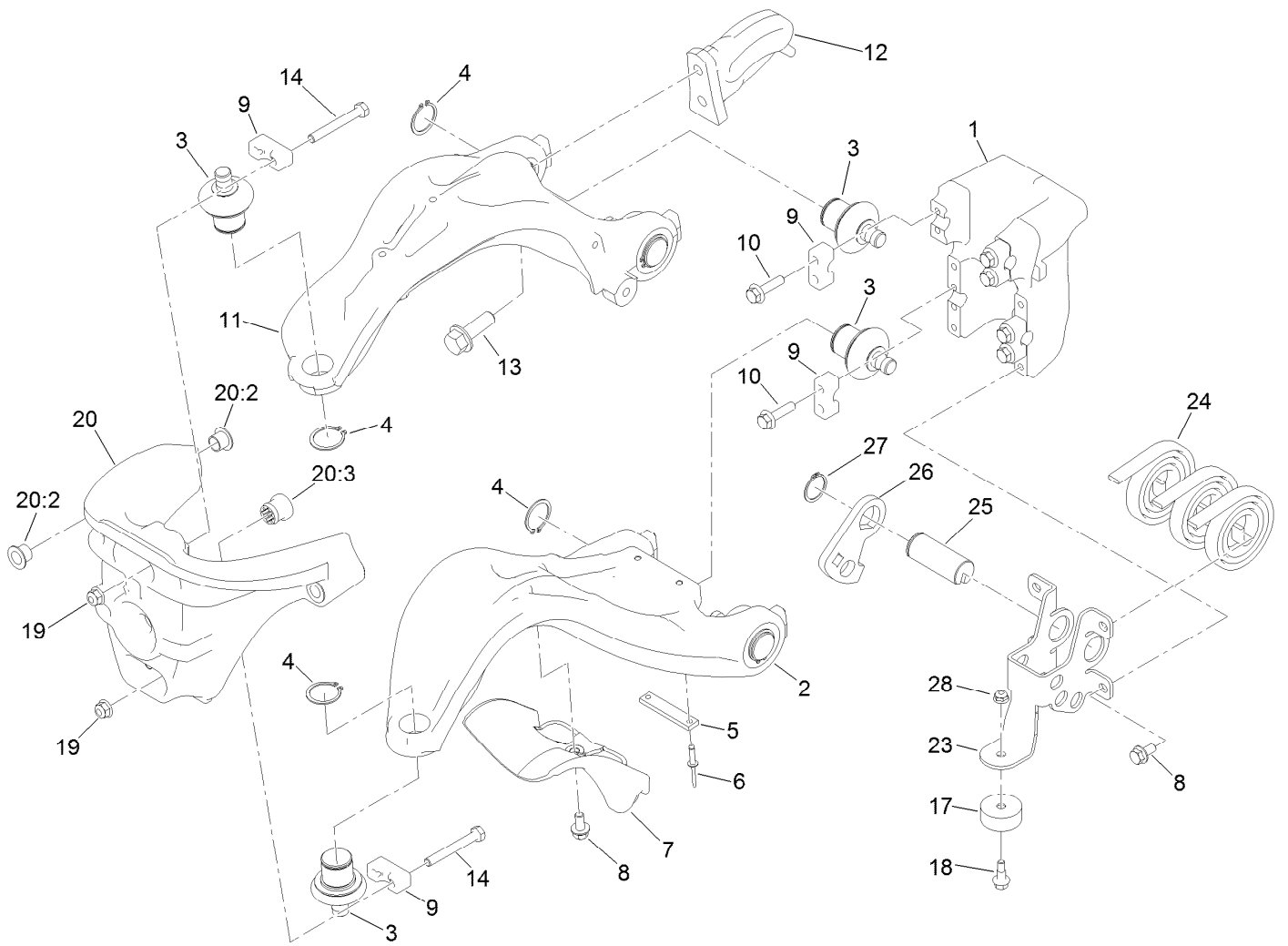
Electric Mow Battery Assembly

| Ref. | Part Number | Qty. | Description | Ref. | Part Number | Qty. | Description |
|-------|-------------|------|----------------------------------|------|-------------|------|----------------------------------|
| 1 | 99-6810 | 3 | Screw-HHF | 16 | 119-1784 | 1 | Harness-Wire, Battery Disconnect |
| 2 | 99-7435 | 1 | Relay | 17 | 132-3770-01 | 1 | Plate-Battery |
| 4 | 104-7201 | 5 | Nut-HF | 18 | 119-2104-01 | 1 | Channel-Clamp, Battery |
| 5 | 104-8300 | 3 | Nut-HF, NI | 20 | 119-5773 | 1 | Harness-Wire |
| 6 | 110-8823 | 1 | Block-Junction | 20:1 | 120-3954 | 1 | Fuse-60 Amp |
| 7 | 112-9621 | 4 | Battery-Nonspillable | 20:2 | 32180-085 | 1 | Fuse-Cover |
| 8 | 112-9630 | 1 | Module-Reel, I.D. | 21 | 119-7566-03 | 1 | Bracket-Hose, Rear |
| 9 | 122-1274 | 1 | Contactor-DC, 48V | 22 | 119-8175 | 1 | Bracket-Disconnect |
| 10 | 120-4585 | 3 | Screw-CARR | 24 | 2412-4 | 1 | Clamp-R |
| 11 | 115-9477 | 2 | Strip-Foam | 25 | 3234-13 | 2 | Screw-HHF |
| 12 | 131-3100-03 | 1 | Bracket-Holder, Fuse | 26 | 3234-7 | 1 | Screw-HHF |
| 13 | 33113-016 | 2 | Screw-HH | 27 | 3296-21 | 2 | Nut-Hex |
| 14 | 122-0523 | 1 | Harness-Wire | 29 | 3256-12 | 2 | Washer-Flat |
| 14:8 | 122-0255 | 3 | Fuse-Maxi, 35 Amp-58V | 30 | 3273-26 | 2 | Screw-HSH |
| 14:11 | 32180-043 | 2 | Resistor-120 Ohm | 32 | 3296-9 | 2 | Nut-Hex |
| 14:16 | 119-7781 | 1 | Diode-Sealed | 34 | 32104-82 | 2 | Screw-HHF |
| 14:17 | 120-3958 | 1 | Fuse-Blade, 10A | 35 | 32105-21 | 2 | Screw-HH |
| 14:20 | 32180-146 | 1 | Cover-Fuse | 37 | 32180-011 | 1 | Clip-Connector |
| 15 | 119-1783 | 1 | Harness-Wire, Battery Disconnect | 38 | 32180-020 | 1 | Clip-Connector |
| | | | | 39 | 119-4330 | 1 | Isolated Can Module ASM |



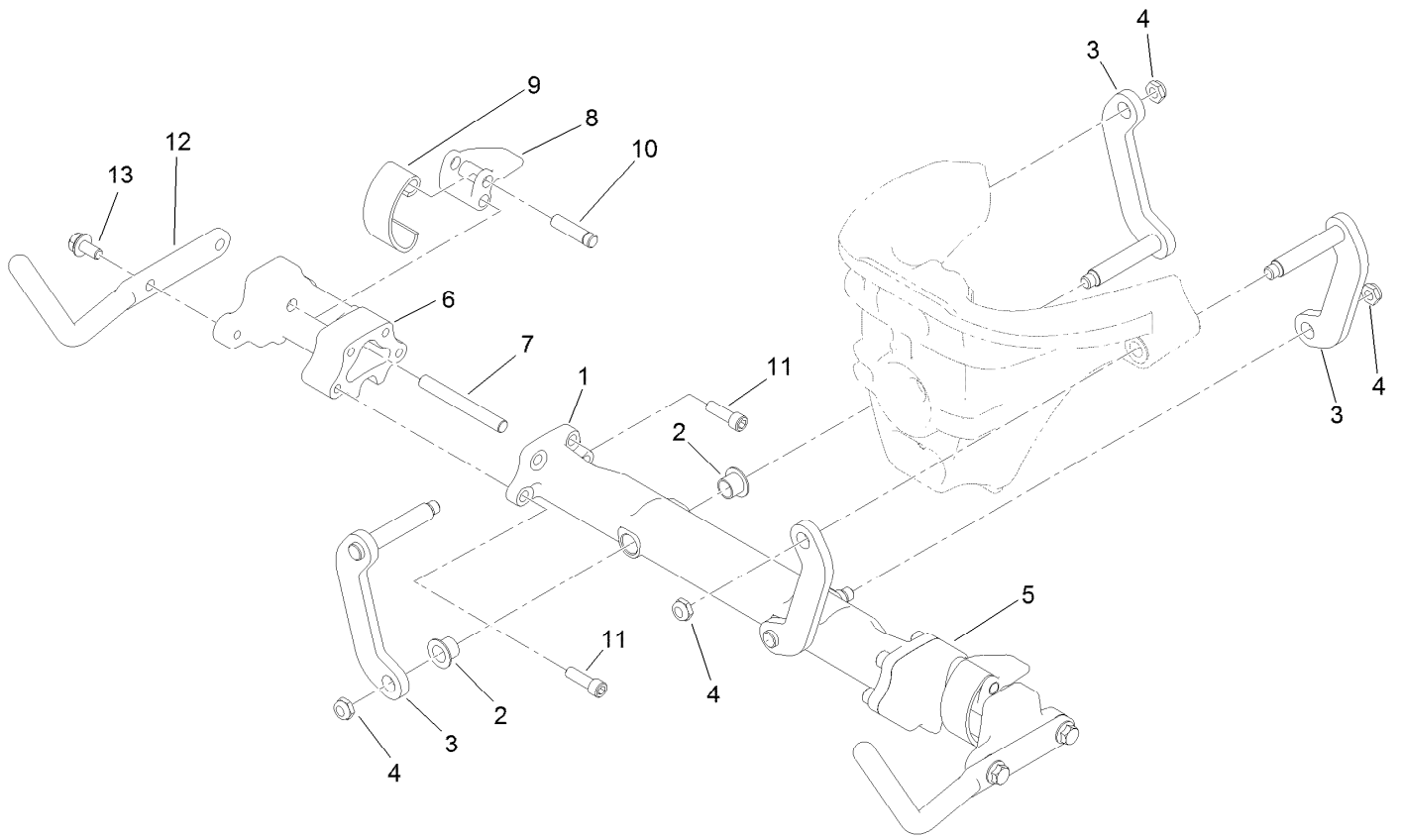
Electric Mow Battery Assembly (continued)

| <i>Ref.</i> | <i>Part Number</i> | <i>Qty.</i> | <i>Description</i> | <i>Ref.</i> | <i>Part Number</i> | <i>Qty.</i> | <i>Description</i> |
|-------------|--------------------|-------------|-----------------------------------|-------------|--------------------|-------------|--------------------|
| 40 | 1-807512 | 1 | Bolt-CARR | 52 | 115-8827 | 2 | Foam-Strip |
| 41 | 3220-2 | 2 | Nut-Jam | 53 | 120-4570 | 1 | Bracket-Harness |
| 42 | 32149-8 | 2 | Nut-Keps | 54 | 3234-29 | 2 | Screw-HHF |
| 43 | 3253-4 | 2 | Washer-Lock | 55 | 120-4579 | 9 | Screw-HHF |
| 46 | 119-1782 | 3 | Harness-Wire, Jumper (Battery) | 56 | 120-4580 | 10 | Nut-HF |
| 47 | 32144-14 | 2 | Screw-HWHTF | 57 | 48-9220 | 3 | Washer-Plain |
| 48 | 32149-10 | 1 | Nut-Keps | 58 | 60-6910 | 1 | Screw-HH |
| 49 | 120-4586 | 3 | Tube | 59 | 3256-14 | 1 | Washer-Flat |
| 51 | 1-803037 | 3 | Nut-Retaining | 60 | 3290-378 | 1 | Tie-Cable |
| | | | | 61 | 32128-33 | 3 | Nut-HF |



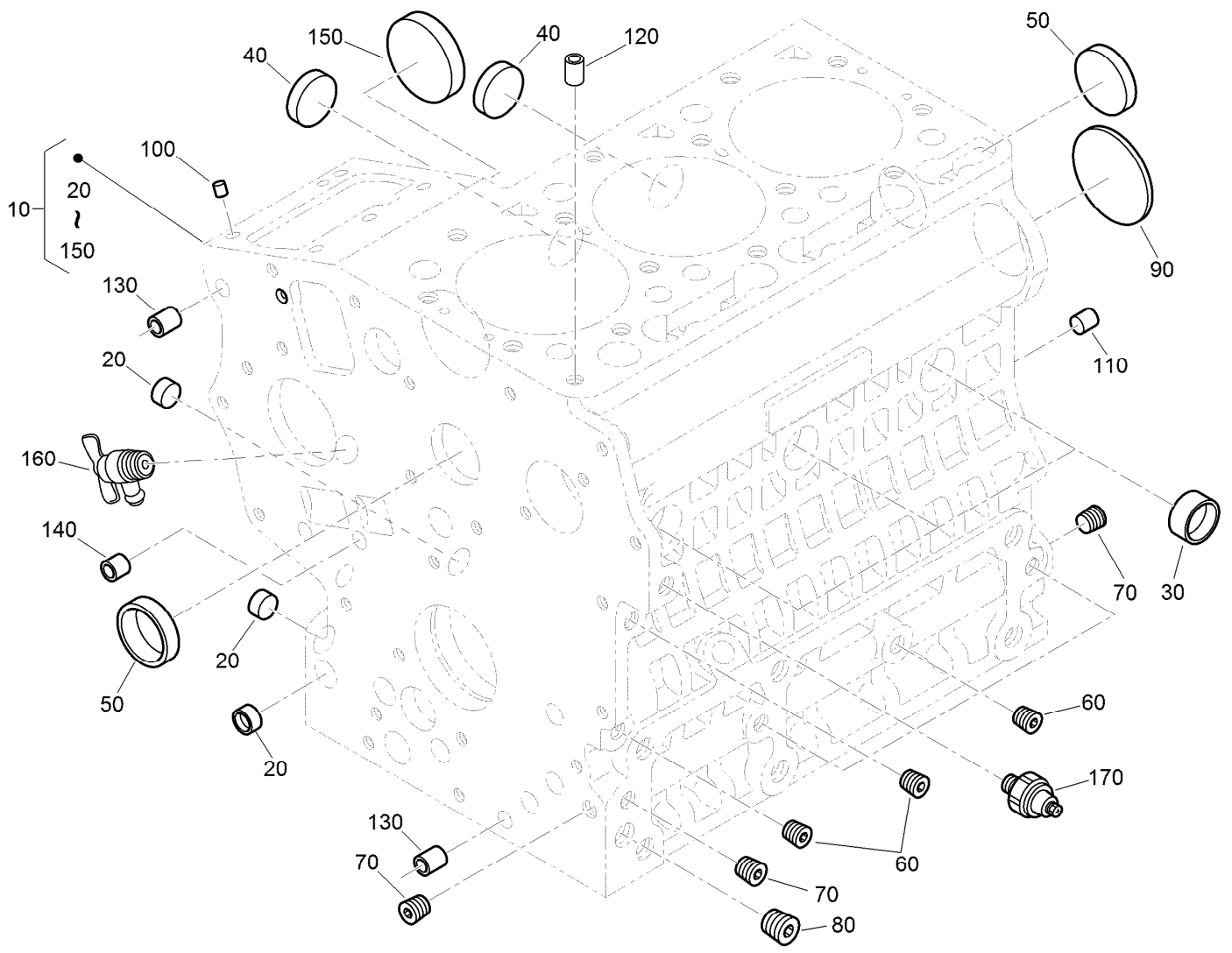
Suspension A-Arm Assembly

| Ref. | Part Number | Qty. | Description | Ref. | Part Number | Qty. | Description |
|------|-------------|------|---------------------|------|-------------|------|--------------------|
| 1 | 117-9480 | 1 | Mount-Pivot, A-Arms | 14 | 132-3838 | 4 | Screw-HH |
| 2 | 117-6656 | 1 | A-Arm, Lower | 17 | 133-0308 | 1 | Bumper-Rubber |
| 3 | 132-6959 | 6 | Balljoint | 18 | 133-0315 | 1 | Screw-Shoulder, HF |
| 4 | 120-3225 | 6 | Ring-Retaining, EXT | 19 | 104-8300 | 4 | Nut-HF, NI |
| 5 | 117-6674 | 1 | Plate-Striker | 20 | 120-3216 | 1 | Steering Head ASM |
| 6 | 3269-28 | 2 | Rivet-Pop | 20:2 | 125-5239 | 4 | Bushing-Flange |
| 7 | 117-6755 | 1 | Stop-Steering | 20:3 | 131-1836 | 1 | Grommet |
| 8 | 114-7728 | 5 | Screw-HF | 23 | 133-8999 | 1 | C-Balance Mount |
| 9 | 112-5647 | 6 | Clamp | 24 | 114-9306 | 3 | Spring |
| 10 | 132-3837 | 8 | Screw-HHF | 25 | 117-6608 | 1 | Pin |
| 11 | 117-6648 | 1 | A-Arm, Upper | 26 | 117-6738 | 1 | Arm-Tensioner |
| 12 | 117-6650 | 1 | Plate-Lift | 27 | 32151-29 | 1 | Ring-Retaining |
| 13 | 100-6116 | 2 | Screw-HHF | 28 | 104-7201 | 1 | Nut-HF |



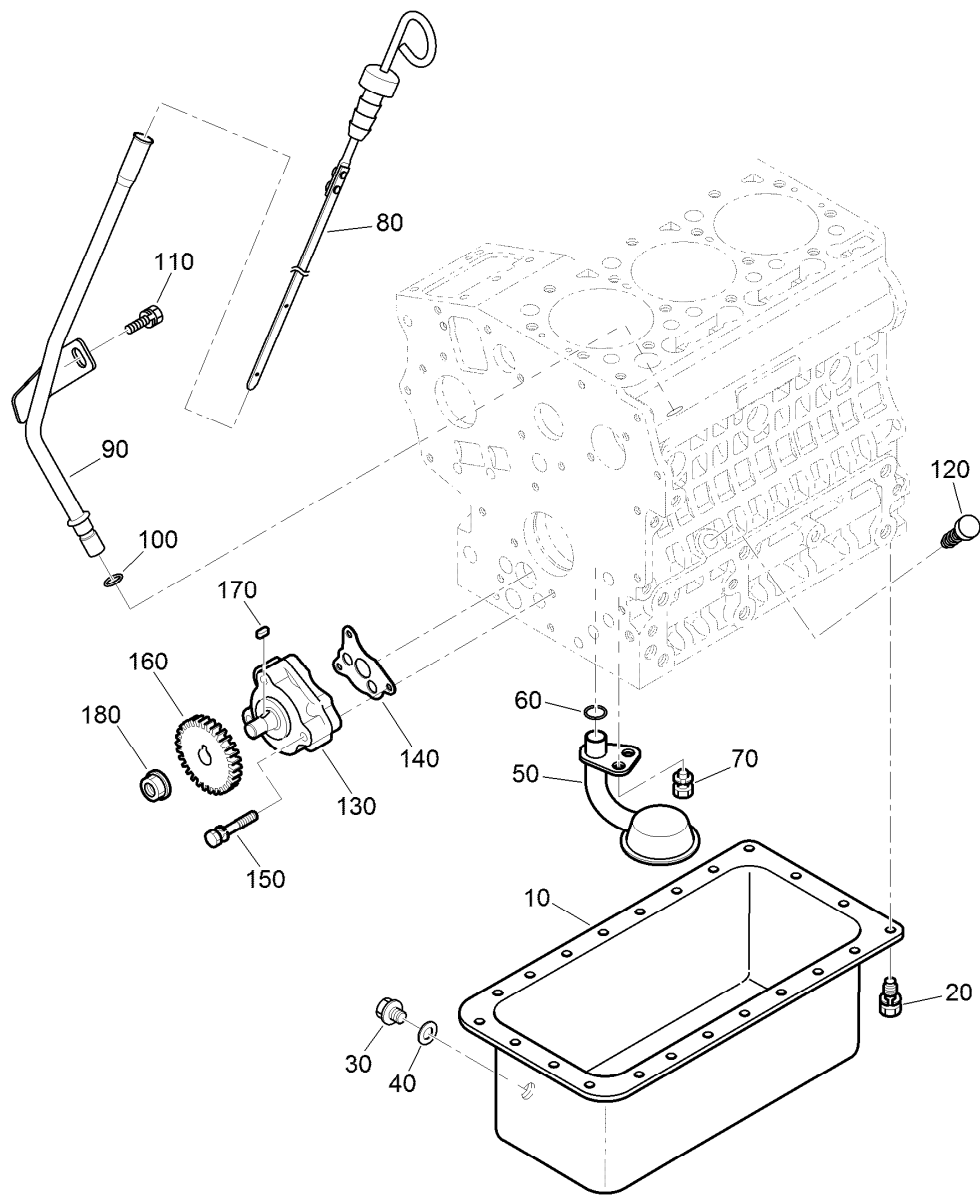
Suspension Crossarm Assembly

| Ref. | Part Number | Qty. | Description |
|------|-------------|------|---------------------|
| 1 | 120-3217 | 1 | Crossarm |
| 2 | 125-5239 | 4 | Bushing-Flange |
| 3 | 117-6654 | 4 | Link |
| 4 | 3296-59 | 4 | Nut-Lock, NI |
| 5 | 117-9482 | 1 | Mount-Cross Arm, LH |
| 6 | 117-9492 | 1 | Mount-Cross Arm, RH |
| 7 | 114-8051 | 2 | Pin-Pivot |
| 8 | 114-8047 | 2 | Lever |
| 9 | 114-8048 | 2 | Spring |
| 10 | 114-8049 | 2 | Pin-Pivot |
| 11 | 120-3227 | 8 | Screw-HSH |
| 12 | 120-2784-01 | 2 | Horn-Basket |
| 13 | 114-7728 | 4 | Screw-HF |



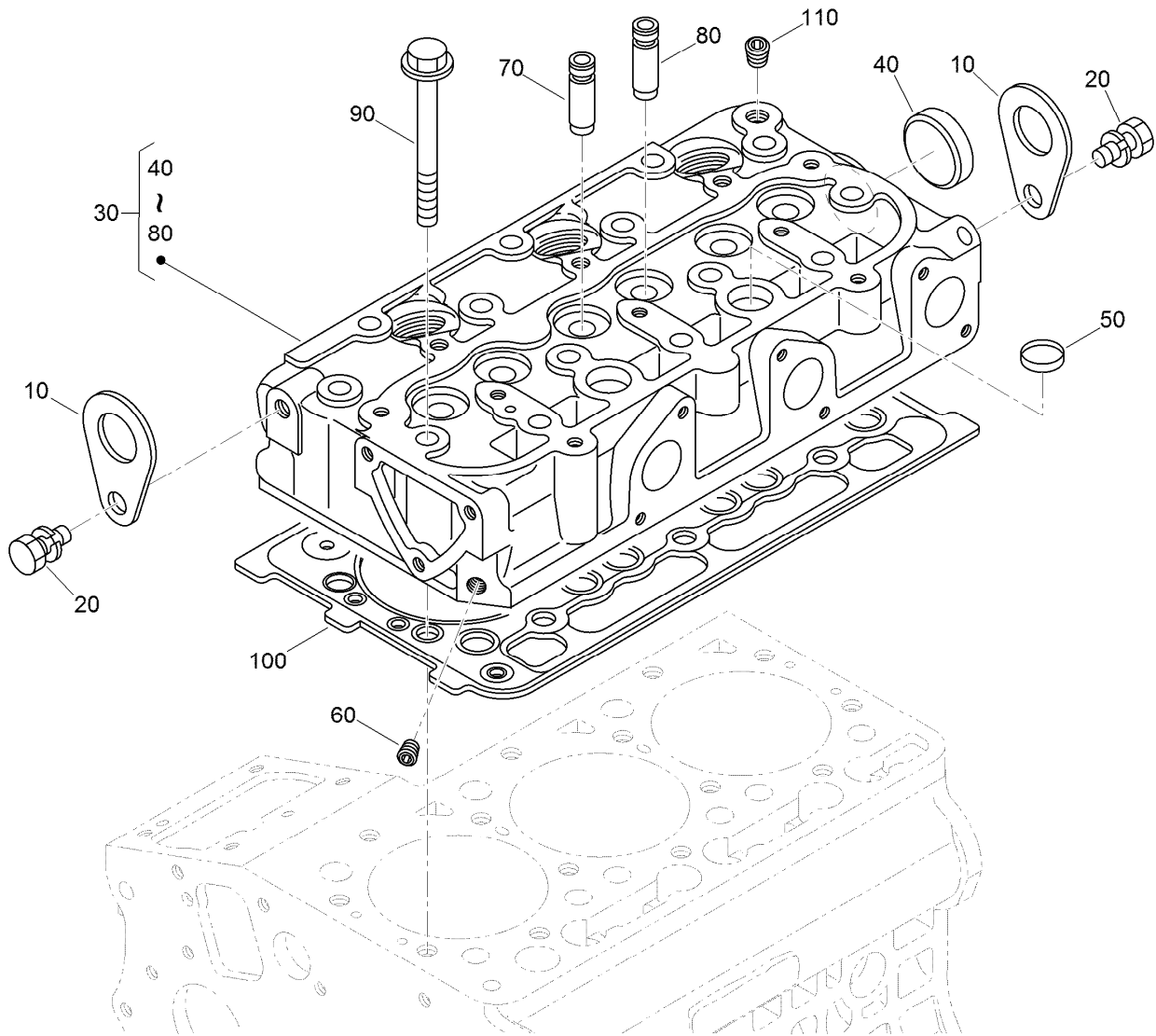
Crankcase Assembly

| <i>Ref.</i> | <i>Part Number</i> | <i>Qty.</i> | <i>Description</i> | <i>Ref.</i> | <i>Part Number</i> | <i>Qty.</i> | <i>Description</i> |
|-------------|--------------------|-------------|--------------------|-------------|--------------------|-------------|----------------------|
| 10 | 130-1486 | 1 | Crankcase ASM | 100 | 98-9375 | 2 | Pin-Straight |
| 20 | 100-2019 | 3 | Cap-Sealing | 110 | 98-9377 | 2 | Pin-Straight |
| 30 | 100-2020 | 3 | Cap-Sealing | 120 | 98-7506 | 1 | Pin-Pipe |
| 40 | 110-3702 | 2 | Cap-Sealing | 130 | 100-2051 | 2 | Pin-Pipe |
| 50 | 98-9398 | 2 | Cap-Sealing | 140 | 100-2051 | 2 | Pin-Pipe |
| 60 | 98-9687 | 5 | Plug | 150 | 100-1991 | 1 | Cover-Fuel, Camshaft |
| 70 | 98-7487 | 3 | Plug | 160 | 120-3121 | 1 | Draincock ASM |
| 80 | 98-7488 | 1 | Plug | 170 | 98-7764 | 1 | Switch-Oil |
| 90 | 100-1851 | 1 | Plug-Expansion | | | | |



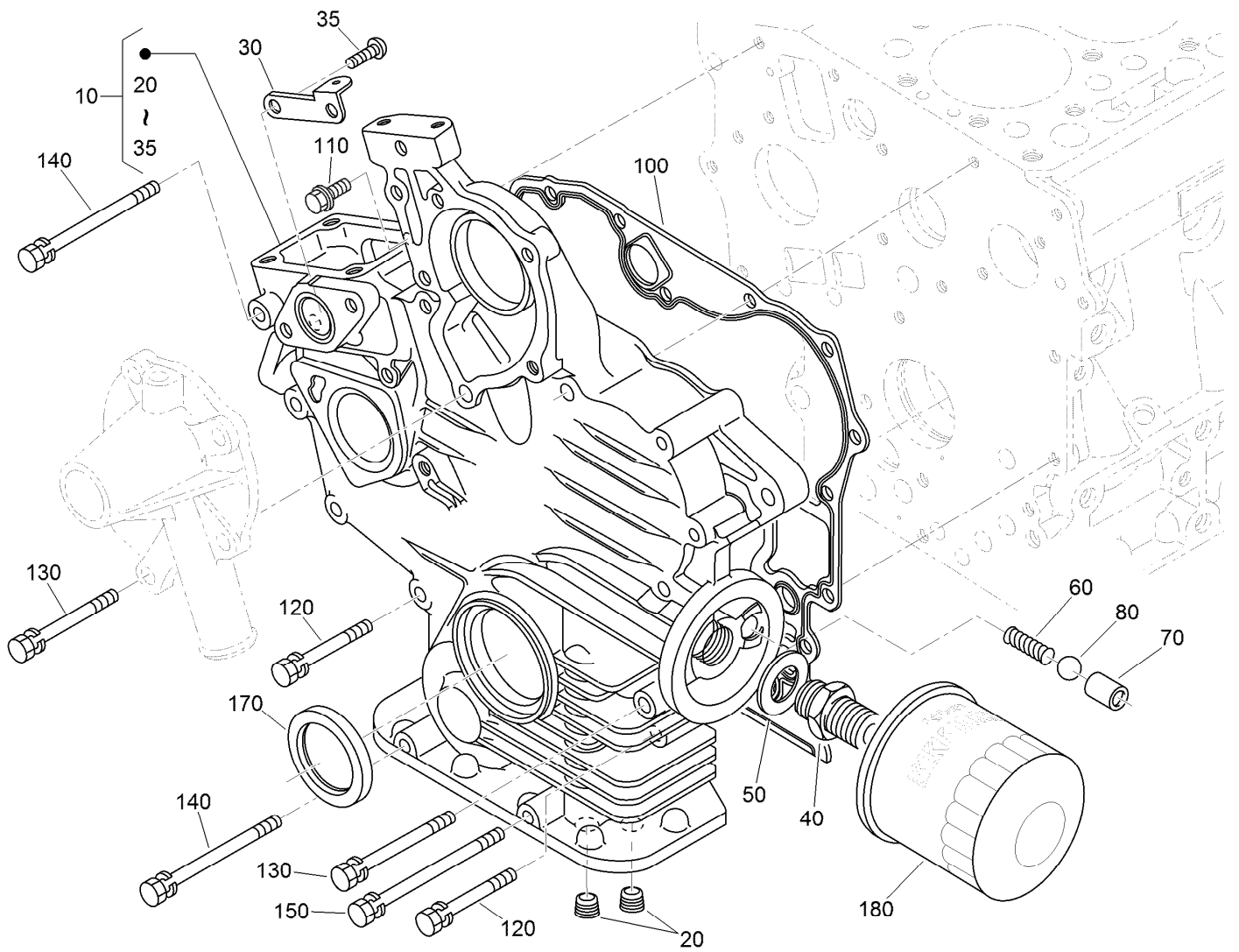
Oil Pan, Oil Pump and Dipstick Assembly

| <i>Ref.</i> | <i>Part Number</i> | <i>Qty.</i> | <i>Description</i> | <i>Ref.</i> | <i>Part Number</i> | <i>Qty.</i> | <i>Description</i> |
|-------------|--------------------|-------------|----------------------|-------------|--------------------|-------------|----------------------|
| 10 | 120-3122 | 1 | Oil Pan ASM | 100 | 98-9722 | 1 | O-Ring |
| 20 | 98-9350 | 22 | Bolt | 110 | 115-8504 | 1 | Bolt-Flange |
| 30 | 114-8151 | 1 | Plug-Drain | 120 | 110-3720 | 1 | Plug-Gauge, Oil |
| 40 | 98-7524 | 1 | Gasket | 130 | 100-2002 | 1 | Oil Pump ASM |
| 50 | 100-2001 | 1 | Strainer-Pickup, Oil | 140 | 100-2003 | 1 | Gasket-Pump, Oil |
| 60 | 105-3776 | 1 | O-Ring | 150 | 100-1923 | 3 | Bolt |
| 70 | 100-9195 | 1 | Bolt | 160 | 130-1419 | 1 | Gear-Drive, Oil Pump |
| 80 | 120-3124 | 1 | Gauge-Oil | 170 | 98-7658 | 1 | Key-Feather |
| 90 | 120-3125 | 1 | Guide-Gauge, Oil | 180 | 100-1779 | 1 | Nut-Flange |



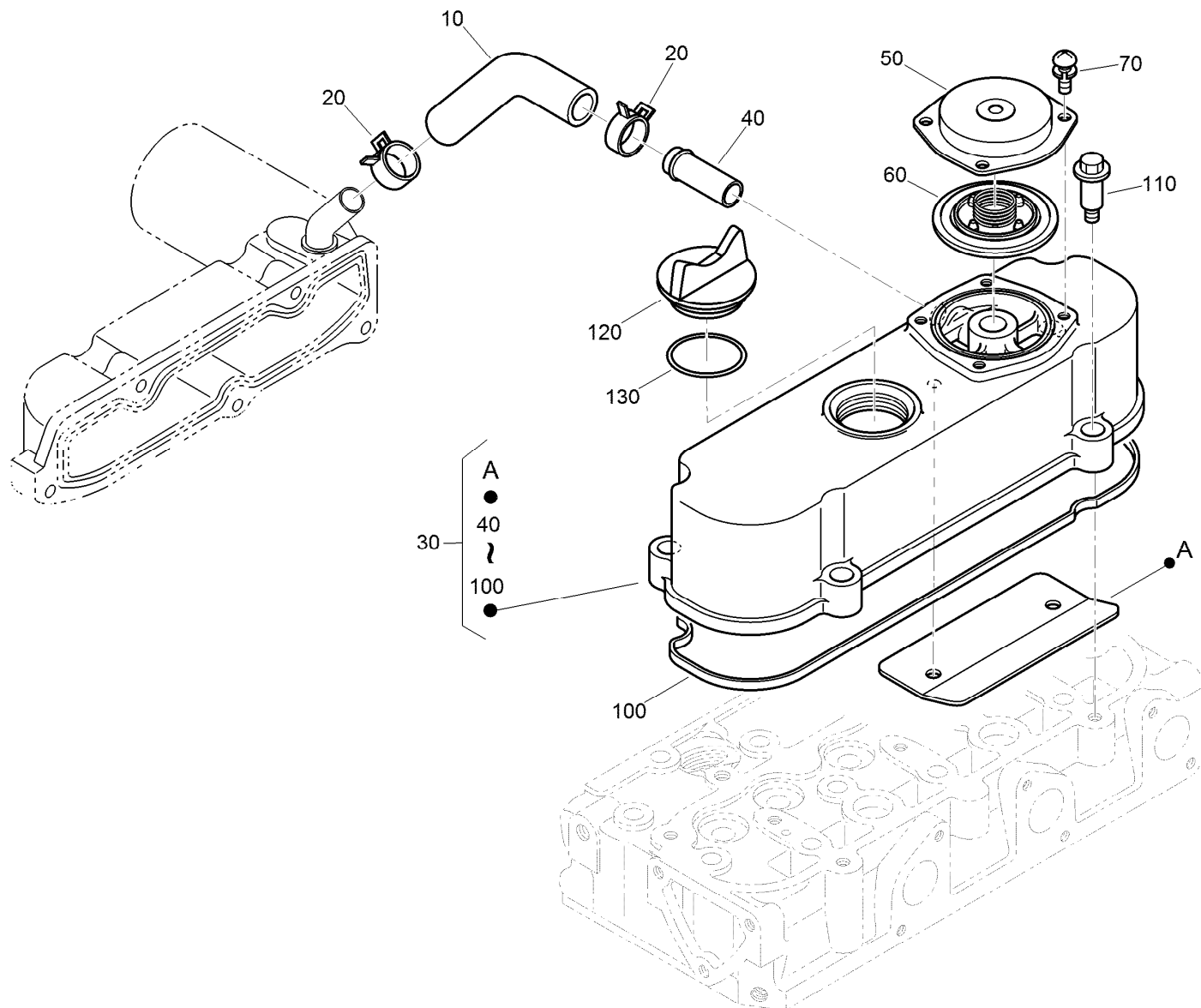
Cylinder Head Assembly

| Ref. | Part Number | Qty. | Description |
|------|-------------|------|-----------------------|
| 10 | 98-7531 | 2 | Hook-Engine |
| 20 | 98-7526 | 2 | Bolt |
| 30 | 130-1504 | 1 | Cylinder Head ASM |
| 40 | 105-3705 | 1 | Cap-Sealing |
| 50 | 98-9389 | 2 | Cap-Sealing |
| 60 | 98-9687 | 1 | Plug |
| 70 | 100-1882 | 3 | Guide-Valve, Inlet |
| 80 | 100-1883 | 3 | Guide-Valve, Exhaust |
| 90 | 100-1820 | 14 | Bolt-Head, Cylinder |
| 100 | 112-2520 | 1 | Gasket-Head, Cylinder |
| 110 | 98-9444 | 1 | Plug |



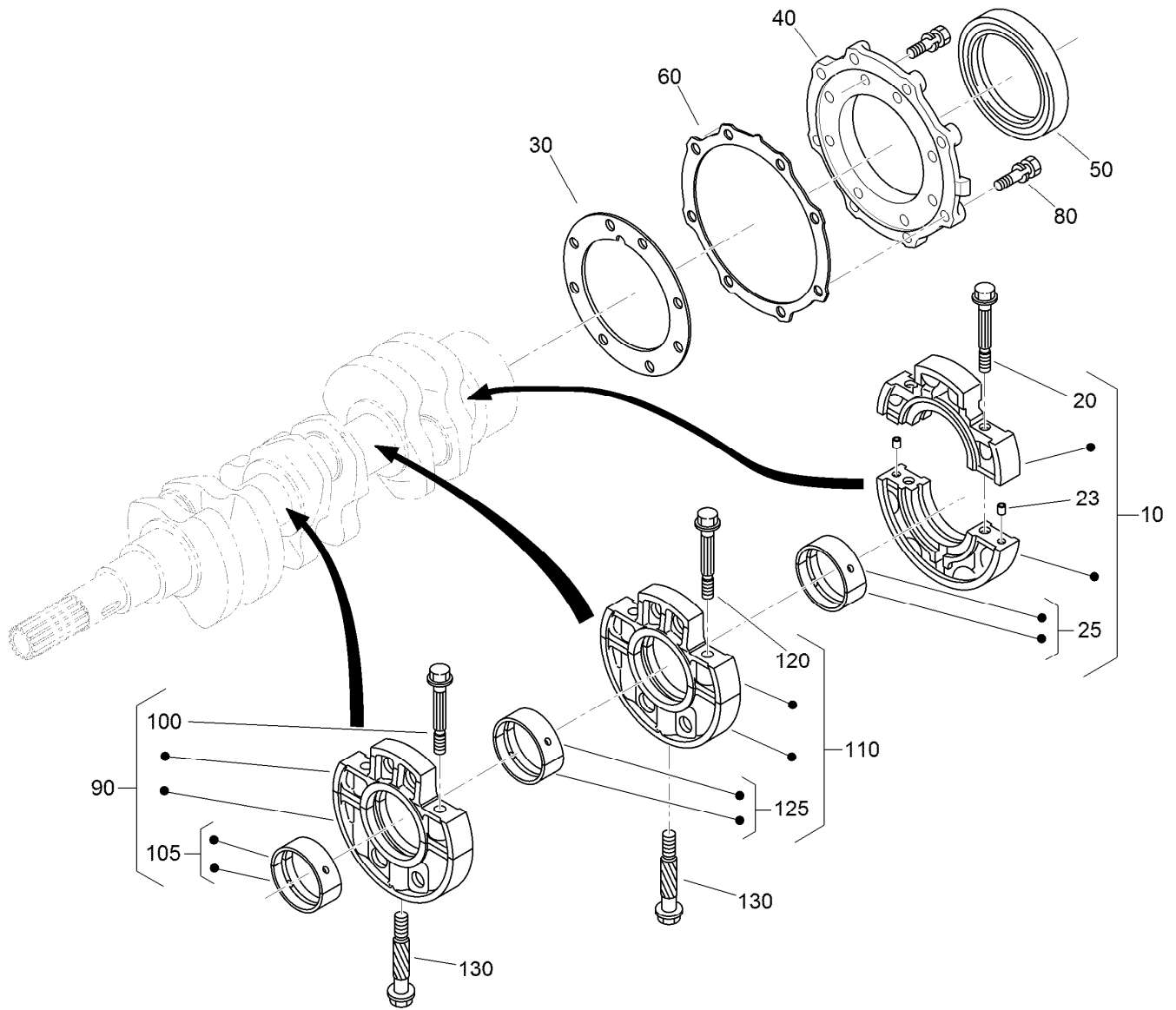
Gear Case and Oil Filter Cartridge Assembly

| <i>Ref.</i> | <i>Part Number</i> | <i>Qty.</i> | <i>Description</i> | <i>Ref.</i> | <i>Part Number</i> | <i>Qty.</i> | <i>Description</i> |
|-------------|--------------------|-------------|--------------------|-------------|--------------------|-------------|--------------------|
| 10 | 120-3138 | 1 | Gear Case ASM | 100 | 117-0327 | 1 | Gasket-Case, Gear |
| 20 | 98-7488 | 2 | Plug | 110 | 127-0403 | 1 | Bolt-Flange |
| 30 | 110-3708 | 1 | Stay-Spring, Start | 120 | 125-9063 | 9 | Bolt-Sems |
| 35 | 100-2040 | 2 | Screw | 130 | 100-1922 | 2 | Bolt |
| 40 | 98-9388 | 1 | Joint-Pipe | 140 | 98-9357 | 2 | Bolt |
| 50 | 100-1926 | 1 | Washer-Plain | 150 | 110-3710 | 1 | Bolt |
| 60 | 100-2004 | 1 | Spring | 170 | 120-7852 | 1 | Seal-Oil |
| 70 | 100-1894 | 1 | Seat-Valve | 180 | 115-8189 | 1 | Filter-Oil, Engine |
| 80 | 100-1792 | 1 | Ball | | | | |



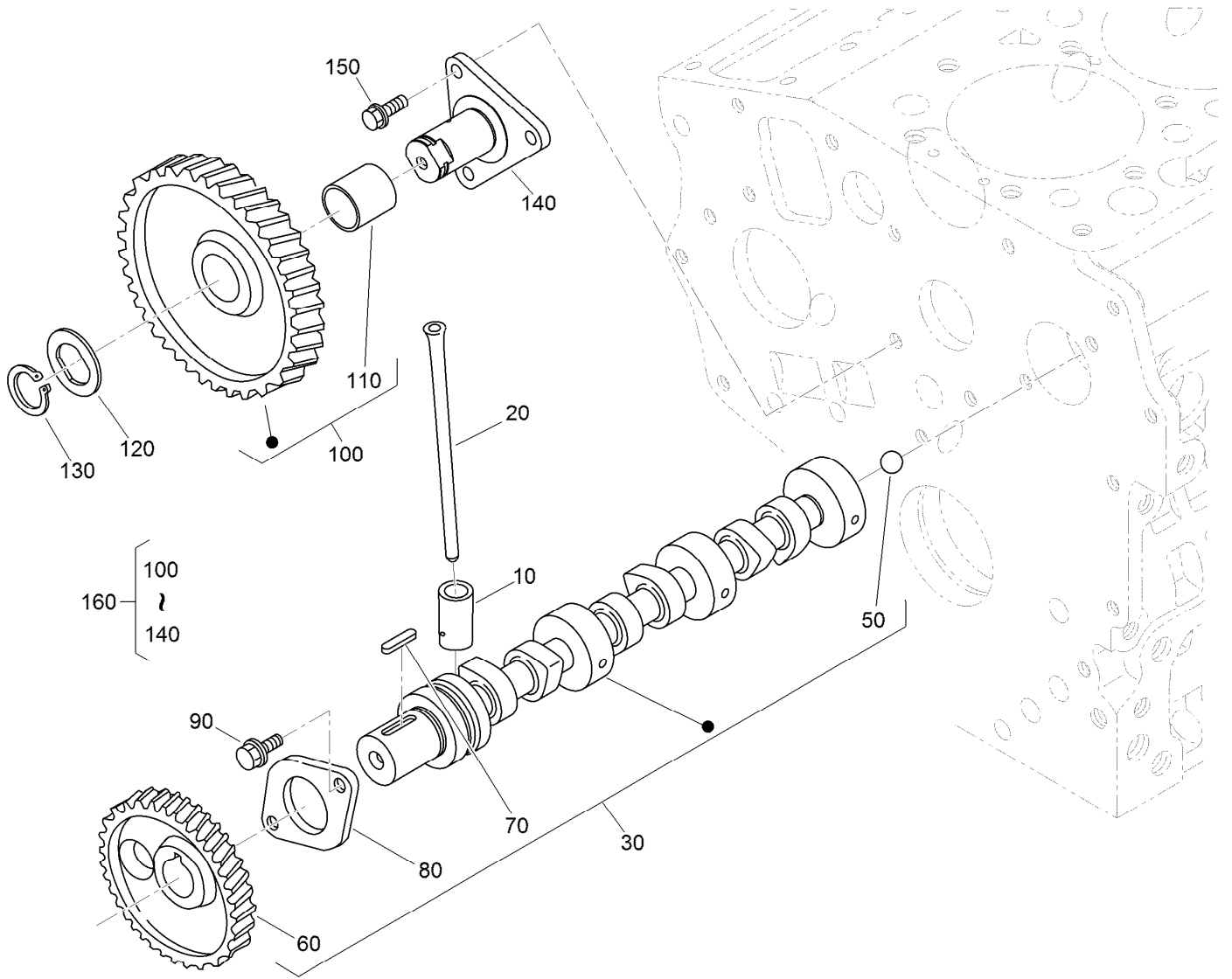
Cylinder Head Cover Assembly

| Ref. | Part Number | Qty. | Description |
|------|-------------|------|-------------------------|
| 10 | 120-3139 | 1 | Tube-Breather |
| 20 | 110-3712 | 2 | Clamp-Hose |
| 30 | 112-8332 | 1 | Cylinder Head Cover ASM |
| 40 | 98-9580 | 1 | Pipe-Return, Water |
| 50 | 110-3714 | 1 | Cover-Breather |
| 60 | 110-3715 | 1 | Valve-Breather |
| 70 | 98-9364 | 4 | Screw (With Washer) |
| 100 | 112-2521 | 1 | Gasket-Cover, Head |
| 110 | 108-7063 | 4 | Bolt |
| 120 | 107-9075 | 1 | Plug-Filler, Oil |
| 130 | 99-3446 | 1 | O-Ring |



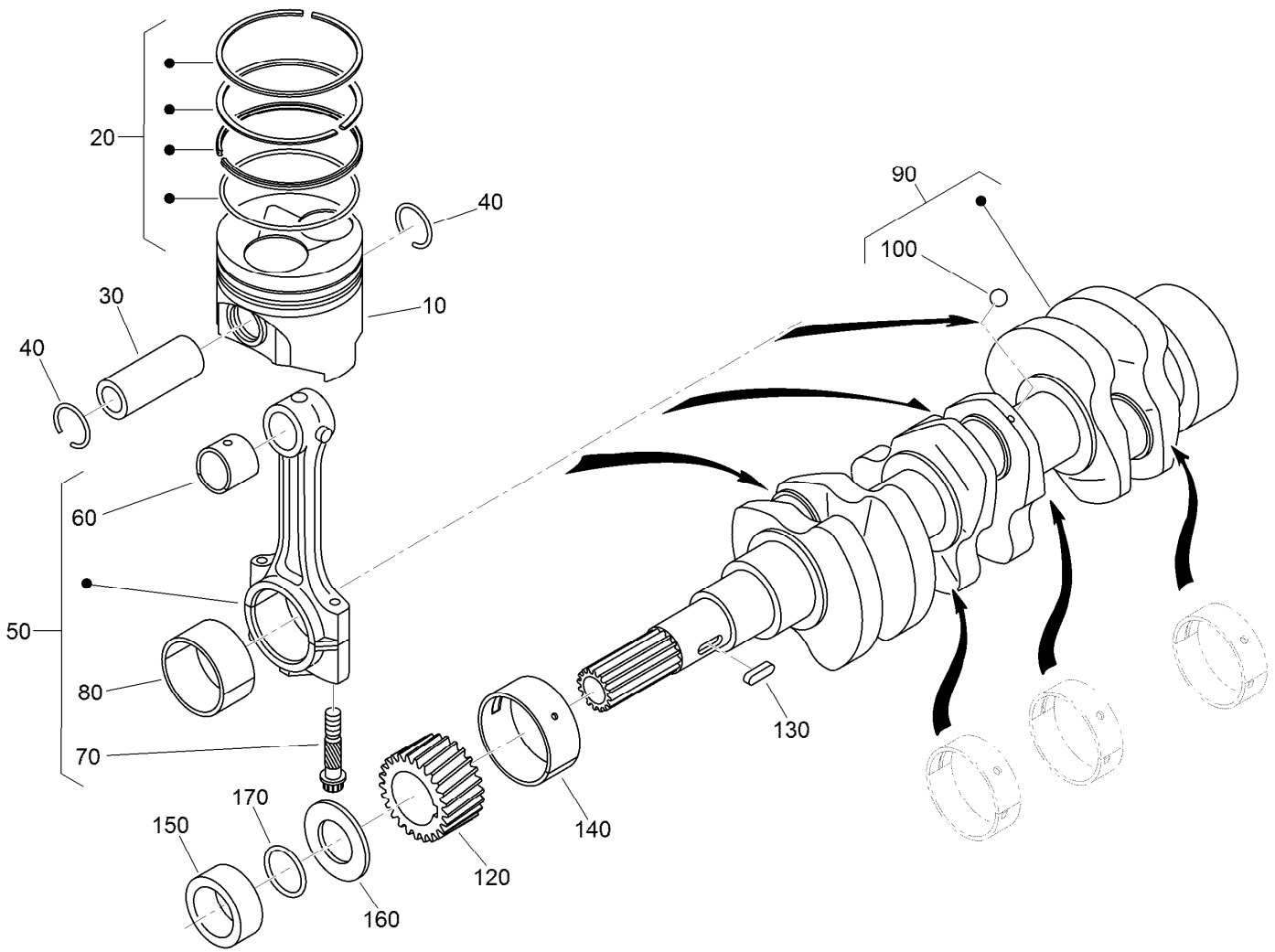
Main Bearing Case Assembly

| <i>Ref.</i> | <i>Part Number</i> | <i>Qty.</i> | <i>Description</i> | <i>Ref.</i> | <i>Part Number</i> | <i>Qty.</i> | <i>Description</i> |
|-------------|--------------------|-------------|--------------------------------|-------------|--------------------|-------------|--------------------------------|
| 10 | 125-9064 | 1 | Wheel Bearing Case ASM | 105 | 110-3741 | 1 | Crankshaft Metal ASM (STD) |
| 20 | 125-9065 | 2 | Bolt-Flange | 105 | 125-9083 | 1 | Crankshaft Metal ASM (-0.20Mm) |
| 23 | 125-9082 | 2 | Pin-Straight | 105 | 110-3743 | 1 | Crankshaft Metal ASM (-0.40Mm) |
| 25 | 125-9066 | 1 | Crankshaft Metal ASM (STD) | 110 | 125-9069 | 1 | Main Case Bearing ASM |
| 25 | 125-9067 | 1 | Crankshaft Metal ASM (-0.20Mm) | 120 | 110-3723 | 2 | Bolt-Case, Bearing |
| 25 | 125-9068 | 1 | Crankshaft Metal ASM (-0.40Mm) | 125 | 110-3741 | 1 | Crankshaft Metal ASM (STD) |
| 30 | 100-1873 | 1 | Gasket-Case, Bearing | 125 | 125-9083 | 1 | Crankshaft Metal ASM (-0.20Mm) |
| 40 | 112-8334 | 1 | Cover-Case, Bearing | 125 | 110-3743 | 1 | Crankshaft Metal ASM (-0.40Mm) |
| 50 | 110-3724 | 1 | Seal-Oil | 130 | 100-1874 | 2 | Bolt-Case, Bearing |
| 60 | 100-1876 | 1 | Gasket-Cover, Case | | | | |
| 80 | 100-1750 | 16 | Bolt | | | | |
| 90 | 110-3725 | 1 | Main Bearing Case ASM | | | | |
| 100 | 110-3723 | 2 | Bolt-Case, Bearing | | | | |



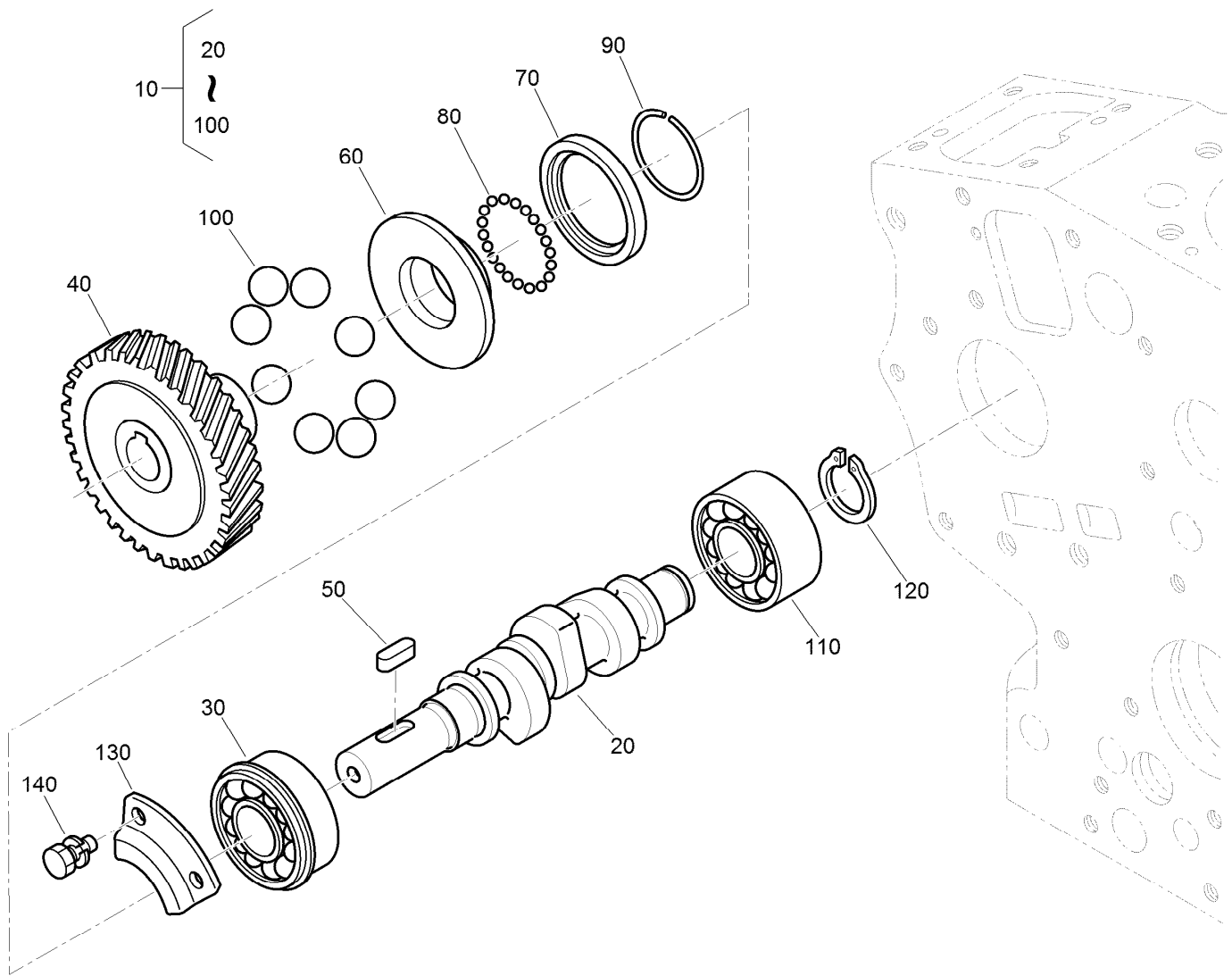
Camshaft and Idle Gear Shaft Assembly

| Ref. | Part Number | Qty. | Description |
|------|-------------|------|-------------------|
| 10 | 110-3727 | 6 | Tappet |
| 20 | 100-1989 | 6 | Rod-Push |
| 30 | 120-3126 | 1 | Camshaft ASM |
| 50 | 110-3729 | 1 | Ball |
| 60 | 130-1534 | 1 | Gear-Cam |
| 70 | 98-9378 | 1 | Key-Feather |
| 80 | 100-1887 | 1 | Stopper-Camshaft |
| 90 | 98-9350 | 2 | Bolt |
| 100 | 121-2421 | 1 | Idle Gear ASM |
| 110 | 121-2422 | 1 | Bushing |
| 120 | 100-1970 | 1 | Collar-Gear, Idle |
| 130 | 100-1969 | 1 | Ring-Snap |
| 140 | 100-1967 | 1 | Shaft-Gear, Idle |
| 150 | 100-1774 | 3 | Bolt-Flange |
| 160 | 100-2240 | 1 | Idle Gear ASM |



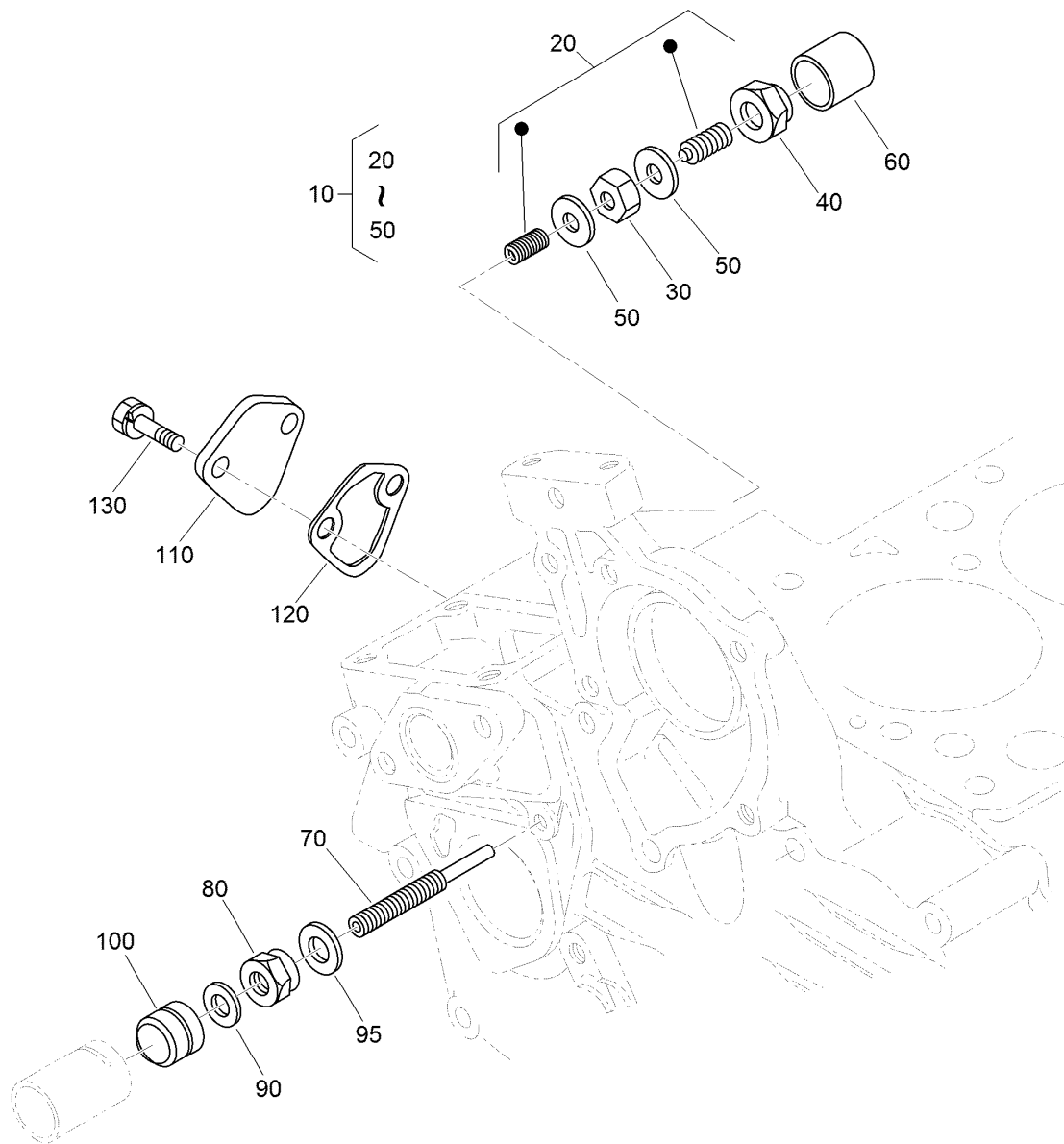
Piston and Crankshaft Assembly

| <i>Ref.</i> | <i>Part Number</i> | <i>Qty.</i> | <i>Description</i> | <i>Ref.</i> | <i>Part Number</i> | <i>Qty.</i> | <i>Description</i> |
|-------------|--------------------|-------------|-------------------------|-------------|--------------------|-------------|---------------------------|
| 10 | 130-1518 | 3 | Piston | 80 | 121-2420 | 3 | Metal-Crankpin (-.40Mm) |
| 10 | 130-1520 | 3 | Piston | 90 | 117-0308 | 1 | Crankshaft |
| 20 | 130-1516 | 3 | Piston Ring ASM | 100 | 100-1791 | 3 | Ball |
| 20 | 130-1517 | 3 | Piston Ring ASM | 120 | 100-1891 | 1 | Gear-Crankshaft |
| 30 | 110-3734 | 3 | Pin-Piston | 130 | 100-1752 | 1 | Key-Feather |
| 40 | 100-1835 | 6 | Circlip-Internal | 140 | 110-3738 | 1 | Metal-Crankshaft (STD) |
| 50 | 125-9070 | 3 | Connecting Rod ASM | 140 | 121-2424 | 1 | Metal-Crankshaft (-.20Mm) |
| 60 | 110-3736 | 3 | Bushing-Pin, Piston | 140 | 121-2425 | 1 | Metal-Crankshaft (-.40Mm) |
| 70 | 100-1999 | 6 | Bolt-Rod, Connecting | 150 | 100-1890 | 1 | Collar-Crankshaft |
| 80 | 100-2000 | 3 | Metal-Crankpin (STD) | 160 | 100-1974 | 1 | Slinger-Oil |
| 80 | 121-3849 | 3 | Metal-Crankpin (-.20Mm) | 170 | 100-2209 | 1 | O-Ring |



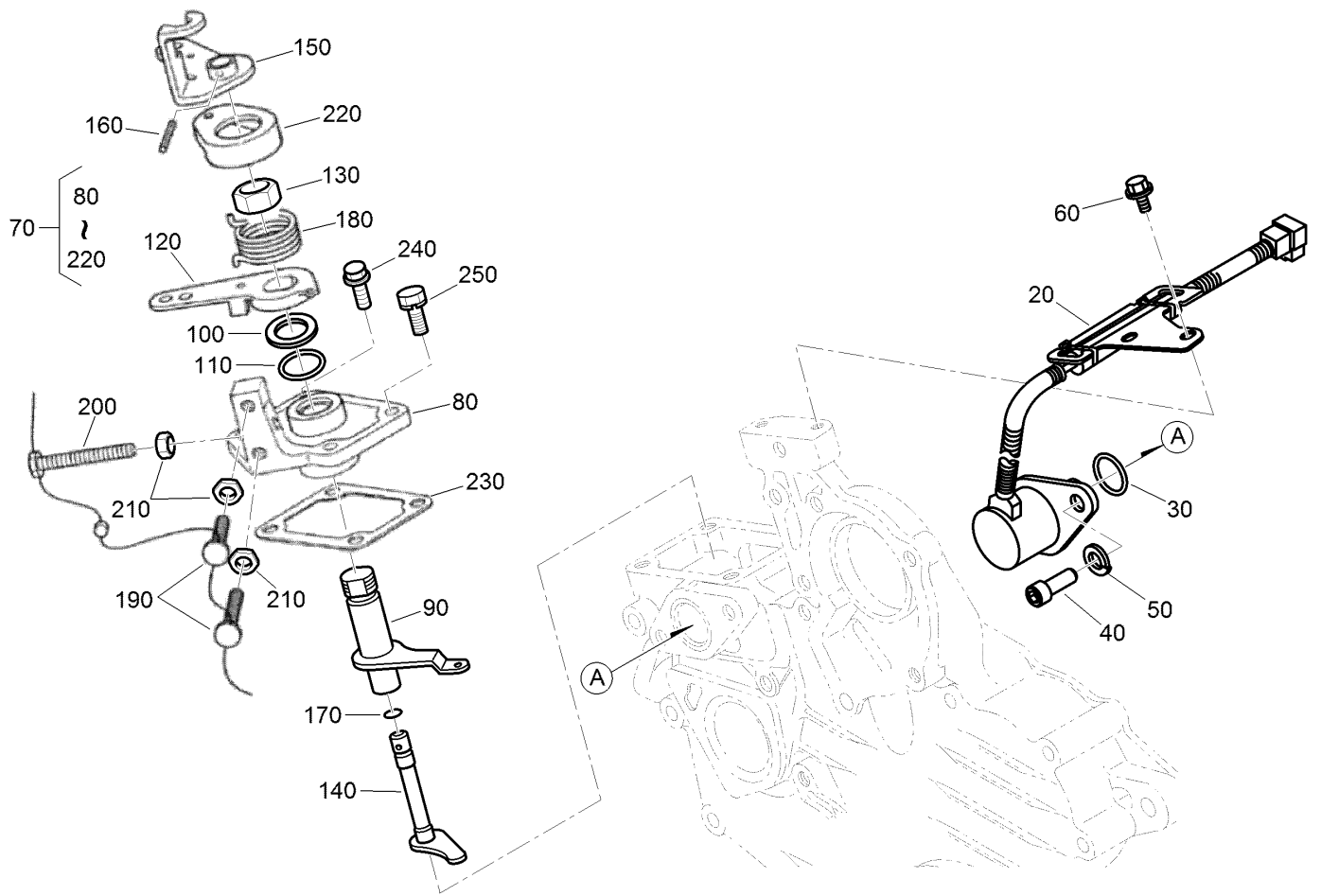
Fuel Camshaft Assembly

| <i>Ref.</i> | <i>Part Number</i> | <i>Qty.</i> | <i>Description</i> |
|-------------|--------------------|-------------|------------------------|
| 10 | 112-8335 | 1 | Fuel Camshaft ASM |
| 20 | 110-3756 | 1 | Camshaft-Fuel |
| 30 | 100-1795 | 1 | Bearing-Ball |
| 40 | 100-2006 | 1 | Gear-Pump, Injection |
| 50 | 100-1752 | 1 | Key-Feather |
| 60 | 112-8336 | 1 | Sleeve-Governor |
| 70 | 100-1904 | 1 | Case-Ball, Governor |
| 80 | 100-1790 | 32 | Ball |
| 90 | 100-1843 | 1 | Circ-Clip |
| 100 | 100-1793 | 8 | Ball |
| 110 | 110-3757 | 1 | Bearing-Ball |
| 120 | 100-1784 | 1 | Circ-Clip, External |
| 130 | 100-1888 | 1 | Stopper-Fuel, Camshaft |
| 140 | 98-9350 | 2 | Bolt |



Idle Apparatus and Fuel Pump Cover Assembly

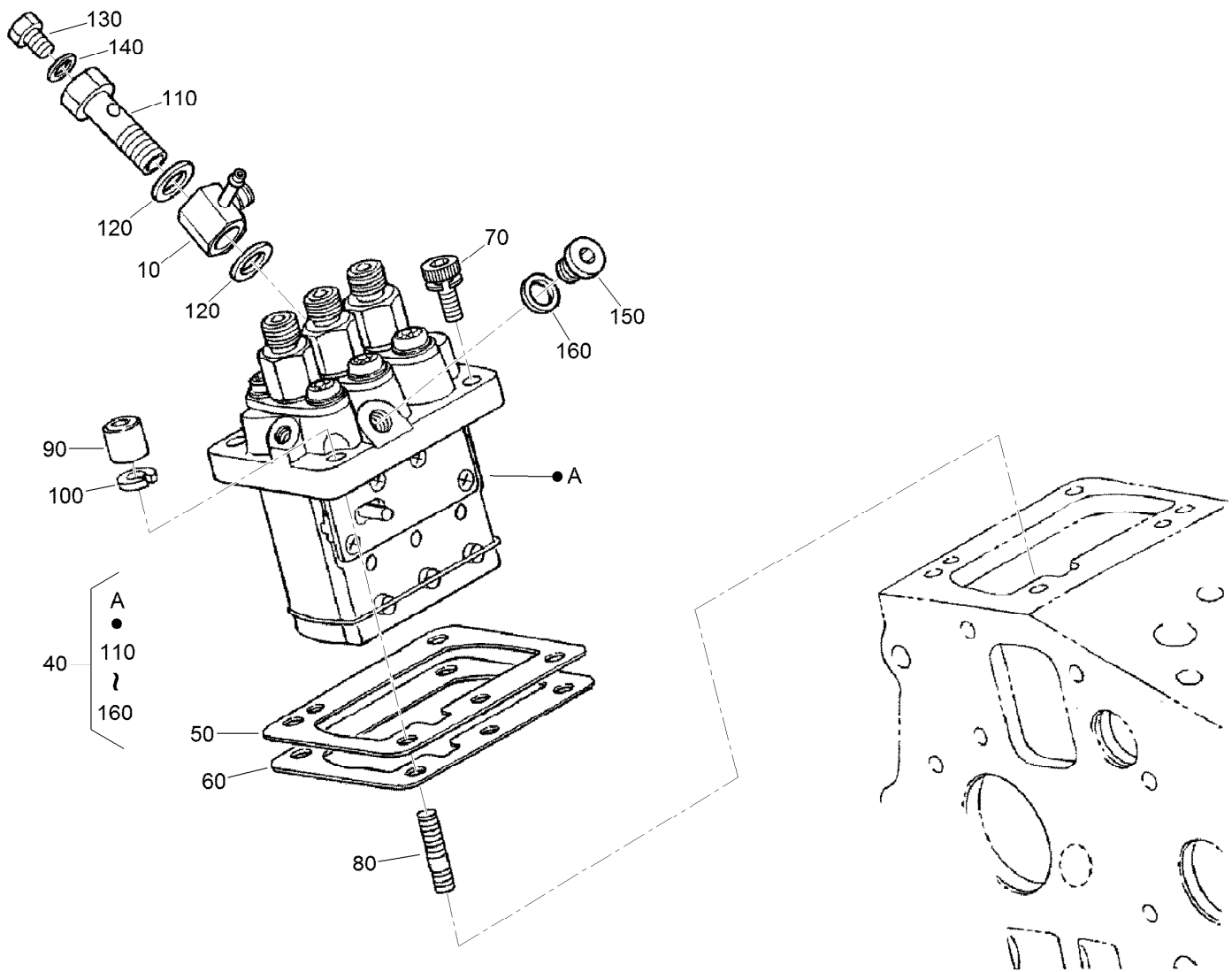
| Ref. | Part Number | Qty. | Description |
|------|-------------|------|--------------------|
| 10 | 100-1898 | 1 | Idle Apparatus ASM |
| 20 | 100-1899 | 1 | Adjusting Bolt ASM |
| 30 | 100-1846 | 1 | Nut |
| 40 | 100-1901 | 1 | Nut-Cap |
| 50 | 98-7428 | 2 | Gasket |
| 60 | 100-1902 | 1 | Cap |
| 70 | 110-3758 | 1 | Bolt-Adjusting |
| 80 | 100-2175 | 1 | Nut-Lock |
| 90 | 98-7654 | 1 | Gasket |
| 95 | 107-9081 | 1 | Gasket |
| 100 | 99-8387 | 1 | Nut-Cap |
| 110 | 99-3514 | 1 | Cover |
| 120 | 98-9636 | 1 | Gasket-Pump, Fuel |
| 130 | 98-7692 | 2 | Bolt |



Stop Solenoid and Speed Control Plate Assembly

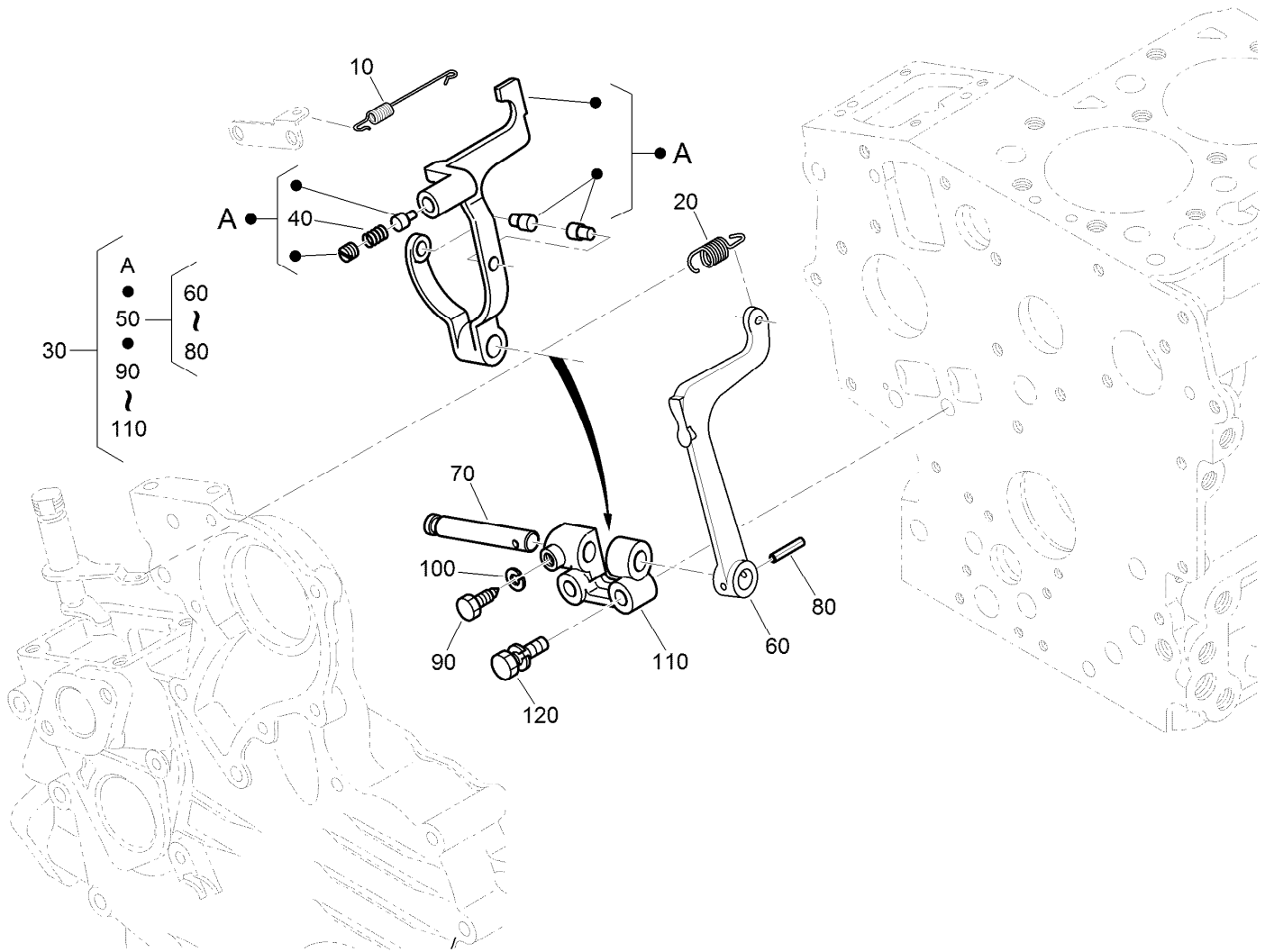
| Ref. | Part Number | Qty. | Description |
|------|-------------|------|-------------------------|
| 20 | 117-2719 | 1 | Solenoid Stop ASM |
| 30 | 110-3762 | 1 | O-Ring |
| 40 | 110-3763 | 2 | Bolt-HSH |
| 50 | 98-7699 | 2 | Washer-Spring |
| 60 | 100-1774 | 2 | Bolt-Flange |
| 70 | 110-3769 | 1 | Speed Control Plate ASM |
| 80 | 110-3770 | 1 | Plate-Control, Speed |
| 90 | 110-3771 | 1 | Lever-Governor |
| 100 | 110-3772 | 1 | Collar |
| 110 | 100-2208 | 1 | O-Ring |
| 120 | 110-3773 | 1 | Lever-Control, Speed |
| 130 | 110-3774 | 1 | Nut-Control, Speed |

| Ref. | Part Number | Qty. | Description |
|------|-------------|------|-----------------------|
| 140 | 110-3775 | 1 | Shaft-Lever |
| 150 | 110-3776 | 1 | Lever-Stop, Engine |
| 160 | 110-3777 | 1 | Pin-Spring |
| 170 | 100-2207 | 1 | O-Ring |
| 180 | 110-3778 | 1 | Spring-Return |
| 190 | 120-3133 | 2 | Screw-Stopper |
| 200 | 120-3134 | 1 | Bolt |
| 210 | 98-7572 | 3 | Nut |
| 220 | 110-3779 | 1 | Cap |
| 230 | 100-1962 | 1 | Gasket-Plate, Control |
| 240 | 127-0403 | 2 | Bolt-Flange |
| 250 | 112-2507 | 2 | Bolt |



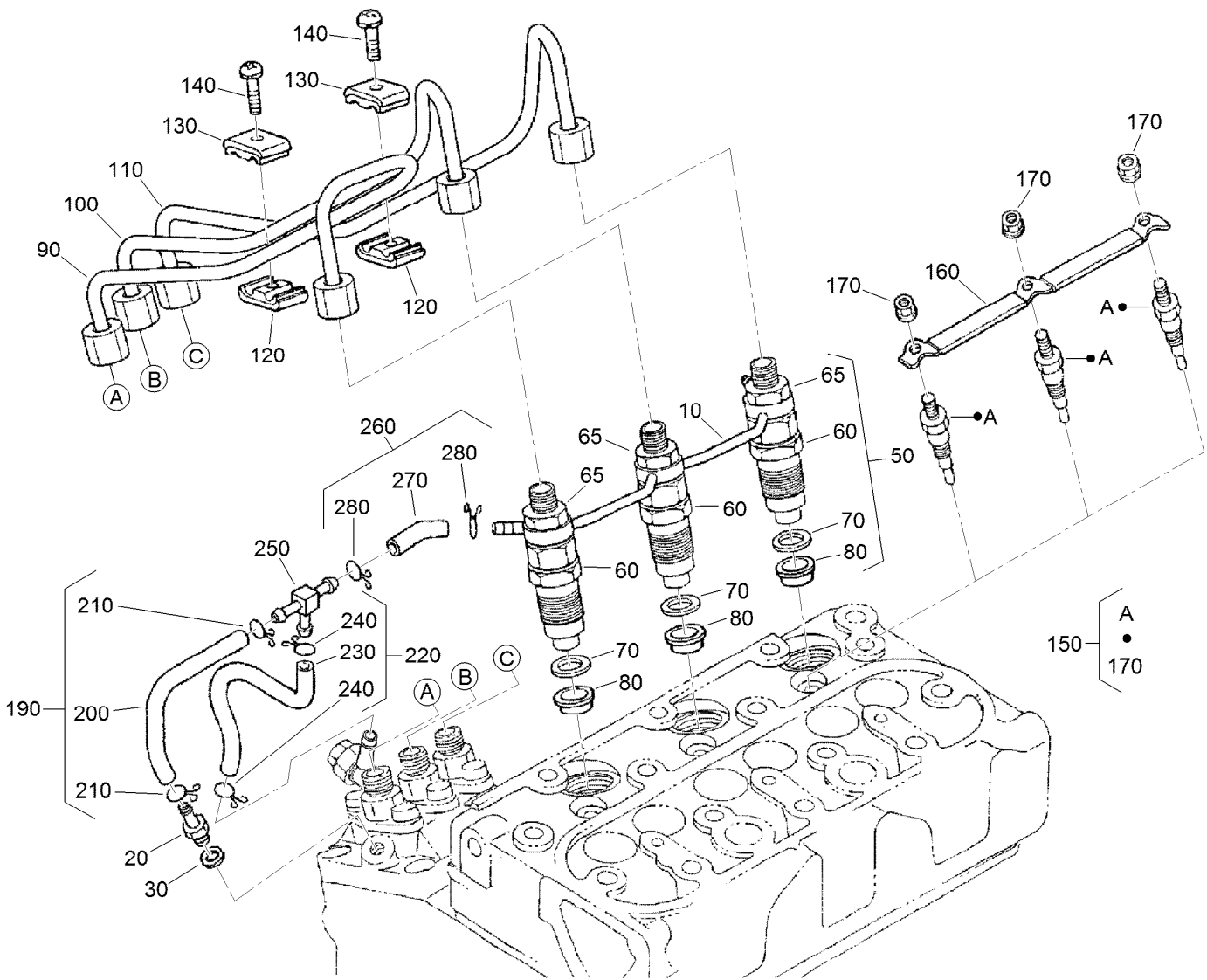
Injection Pump Assembly

| Ref. | Part Number | Qty. | Description | Ref. | Part Number | Qty. | Description |
|------|-------------|------|--------------------------|------|-------------|------|---------------|
| 10 | 110-3764 | 1 | Joint | 90 | 98-9440 | 2 | Nut-Cap |
| 40 | 110-3765 | 1 | Injection Pump ASM | 100 | 98-7699 | 2 | Washer-Spring |
| 50 | 115-3045 | 1 | Shim-Injection (0.175Mm) | 110 | 100-1896 | 1 | Screw-Hollow |
| 50 | 98-9456 | 1 | Shim-Injection (0.20Mm) | 120 | 98-9445 | 2 | Gasket |
| 50 | 98-9457 | 1 | Shim-Injection (0.25Mm) | 130 | 98-9430 | 1 | Screw |
| 60 | 98-9458 | 1 | Shim-Injection (0.30Mm) | 140 | 98-9446 | 1 | Gasket |
| 60 | 115-3046 | 1 | Shim-Injection (0.35Mm) | 150 | 98-9466 | 1 | Plug |
| 70 | 117-7564 | 2 | Bolt-Hex Soc HD | 160 | 98-9451 | 1 | Gasket |
| 80 | 98-9438 | 2 | Stud | | | | |



Governor Assembly

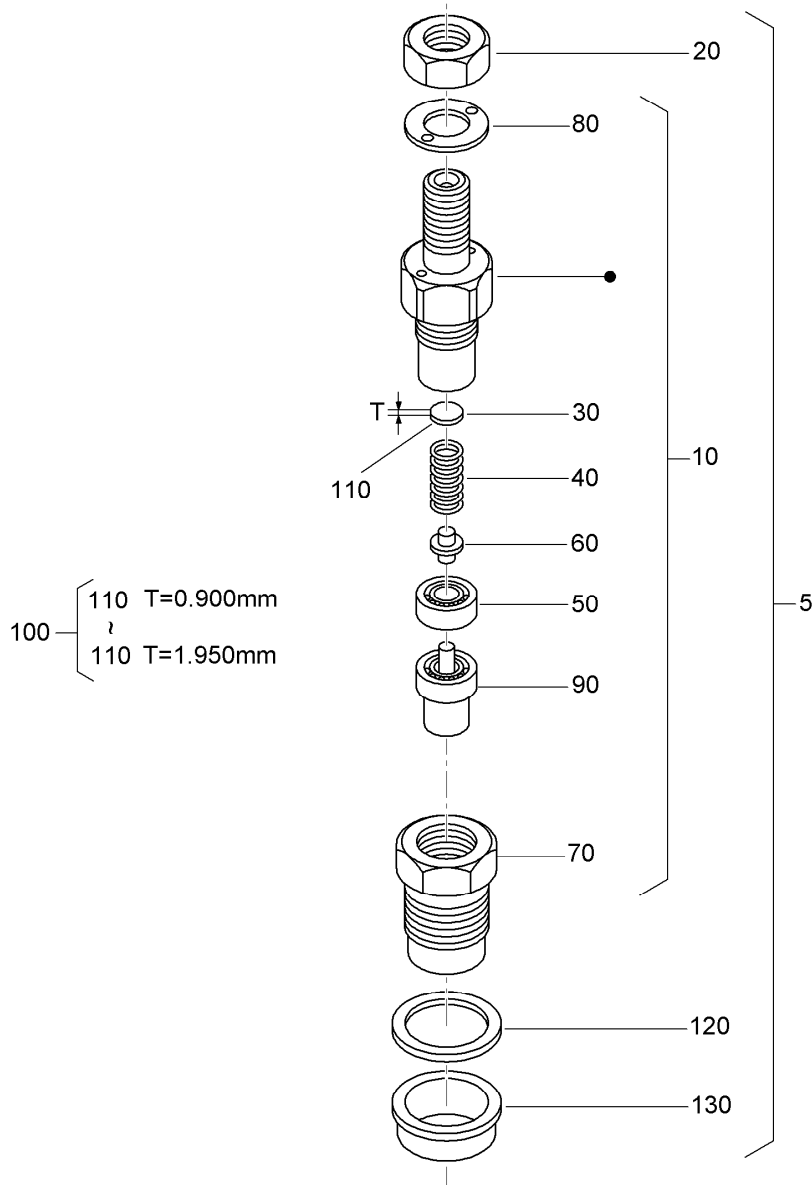
| Ref. | Part Number | Qty. | Description |
|------|-------------|------|---------------------|
| 10 | 110-3766 | 1 | Spring-Start |
| 20 | 110-3767 | 1 | Spring-Governor |
| 30 | 120-3131 | 1 | Fork Lever ASM |
| 40 | 120-3132 | 1 | Spring |
| 50 | 100-1905 | 1 | Fork Lever ASM |
| 60 | 100-1907 | 1 | Lever-Fork |
| 70 | 100-1908 | 1 | Shaft-Lever, Fork |
| 80 | 100-1751 | 1 | Pin-Spring |
| 90 | 100-1845 | 1 | Bolt |
| 100 | 127-0408 | 1 | Washer-Lock, Spring |
| 110 | 100-1909 | 1 | Holder-Lever, Fork |
| 120 | 100-1763 | 2 | Bolt |



Nozzle Holder and Glow Plug Assembly

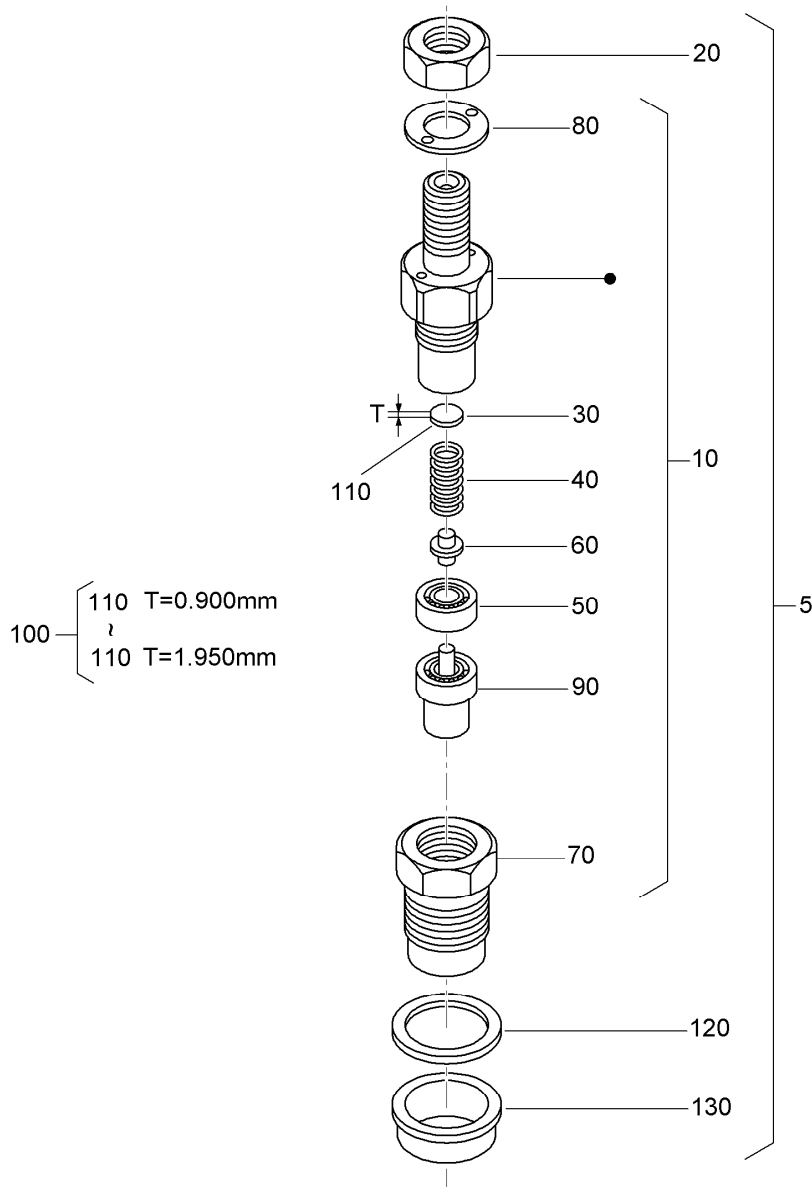
| Ref. | Part Number | Qty. | Description |
|------|-------------|------|--------------------|
| 10 | 110-3780 | 1 | Over Flow Pipe ASM |
| 20 | 98-9431 | 1 | Screw-Bleeder, Air |
| 30 | 98-7654 | 1 | Gasket |
| 50 | 130-1305 | 3 | Nozzle Holder Kit |
| 60 | 130-1303 | 3 | Nozzle Holder ASM |
| 65 | 121-2411 | 3 | Nut |
| 70 | 98-7676 | 3 | Gasket |
| 80 | 98-7677 | 3 | Seal-Heat |
| 90 | 130-1522 | 1 | Pipe-Injection |
| 100 | 130-1523 | 1 | Pipe-Injection |
| 110 | 130-1541 | 1 | Pipe-Injection |
| 120 | 98-7682 | 2 | Clamp-Pipe |
| 130 | 98-7683 | 2 | Clamp-Pipe |
| 140 | 98-7684 | 2 | Screw (W/Washer) |

| Ref. | Part Number | Qty. | Description |
|------|-------------|------|-----------------|
| 150 | 130-1411 | 3 | Plug-Glow |
| 160 | 110-3784 | 1 | Cord-Plug, Glow |
| 170 | 99-8377 | 3 | Nut-Flange |
| 190 | 110-3785 | 1 | Fuel Tube ASM |
| 200 | 110-3786 | 1 | Tube-Fuel |
| 210 | 98-7671 | 2 | Clip-Pipe |
| 220 | 110-3787 | 1 | Fuel Tube ASM |
| 230 | 110-3788 | 1 | Tube-Fuel |
| 240 | 98-7671 | 2 | Clip-Pipe |
| 250 | 112-8338 | 1 | Pipe-Joint, T |
| 260 | 110-3790 | 1 | Fuel Tube ASM |
| 270 | 110-3791 | 1 | Tube-Fuel |
| 280 | 98-7671 | 2 | Clip-Pipe |



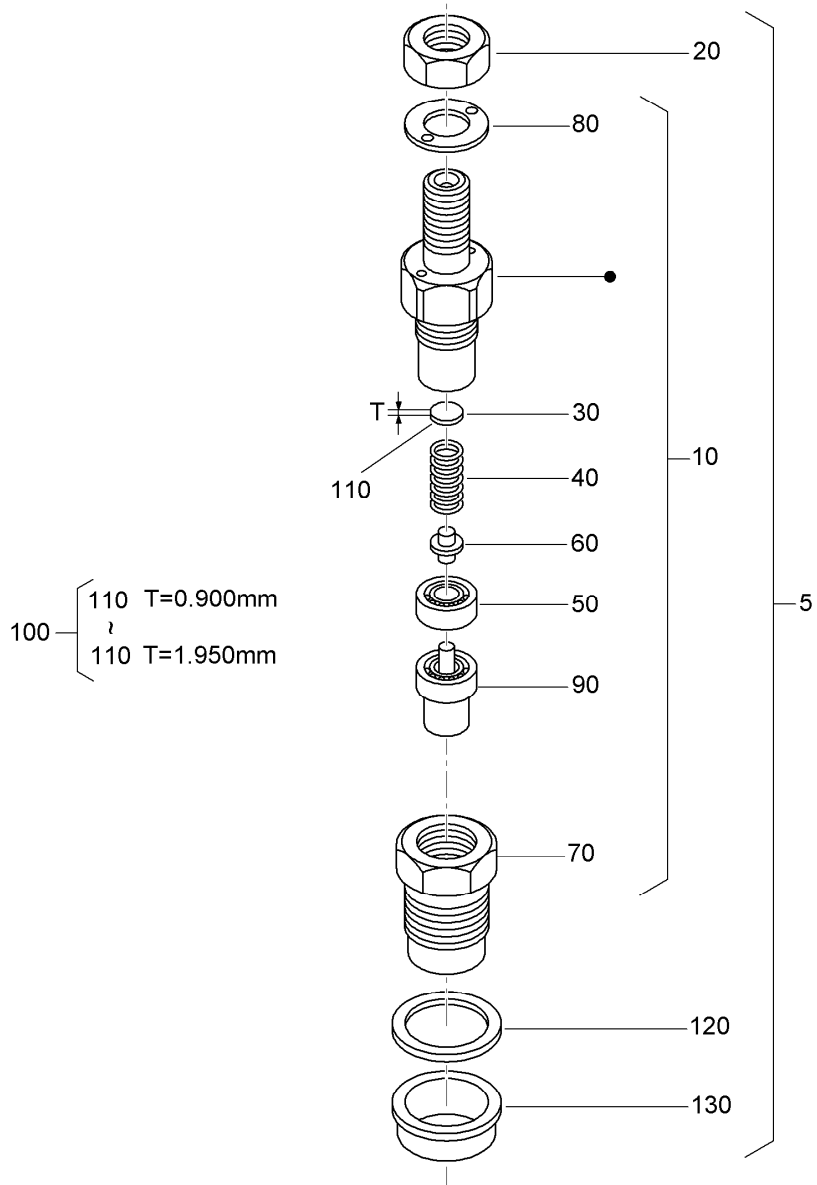
Nozzle Holder Assembly

| Ref. | Part Number | Qty. | Description | Ref. | Part Number | Qty. | Description |
|------|-------------|------|----------------------------|------|-------------|------|----------------------------|
| 5 | 130-1305 | 3 | Nozzle Holder Kit | 110 | 98-7845 | 3 | Washer-Adjusting (1.025Mm) |
| 10 | 130-1303 | 3 | Nozzle Holder ASM | 110 | 98-7846 | 3 | Washer-Adjusting (1.050Mm) |
| 20 | 121-2411 | 3 | Nut | 110 | 98-7847 | 3 | Washer-Adjusting (1.075Mm) |
| 30 | 99-8302 | 3 | Washer-Adjusting | 110 | 98-7848 | 3 | Washer-Adjusting (1.100Mm) |
| 40 | 99-8303 | 3 | Spring-Nozzle | 110 | 98-7849 | 3 | Washer-Adjusting (1.125Mm) |
| 50 | 99-8304 | 3 | Spacer-Distance | 110 | 98-7850 | 3 | Washer-Adjusting (1.150Mm) |
| 60 | 99-8305 | 3 | Rod-Push | 110 | 98-7851 | 3 | Washer-Adjusting (1.175Mm) |
| 70 | 130-1304 | 3 | Nut-Nozzle | 110 | 98-7852 | 3 | Washer-Adjusting (1.200Mm) |
| 80 | 99-8307 | 3 | Washer-Plain | 110 | 98-7853 | 3 | Washer-Adjusting (1.225Mm) |
| 90 | 130-1497 | 3 | Nozzle-Piece | 110 | 98-7854 | 3 | Washer-Adjusting (1.250Mm) |
| 100 | 98-9448 | 3 | Adjusting Washer ASM | | | | |
| 110 | 98-7642 | 3 | Washer-Adjusting (0.900Mm) | | | | |
| 110 | 98-7841 | 3 | Washer-Adjusting (0.925Mm) | | | | |
| 110 | 98-7842 | 3 | Washer-Adjusting (0.950Mm) | | | | |
| 110 | 98-7843 | 3 | Washer-Adjusting (0.975Mm) | | | | |
| 110 | 98-7844 | 3 | Washer-Adjusting (1.000Mm) | | | | |



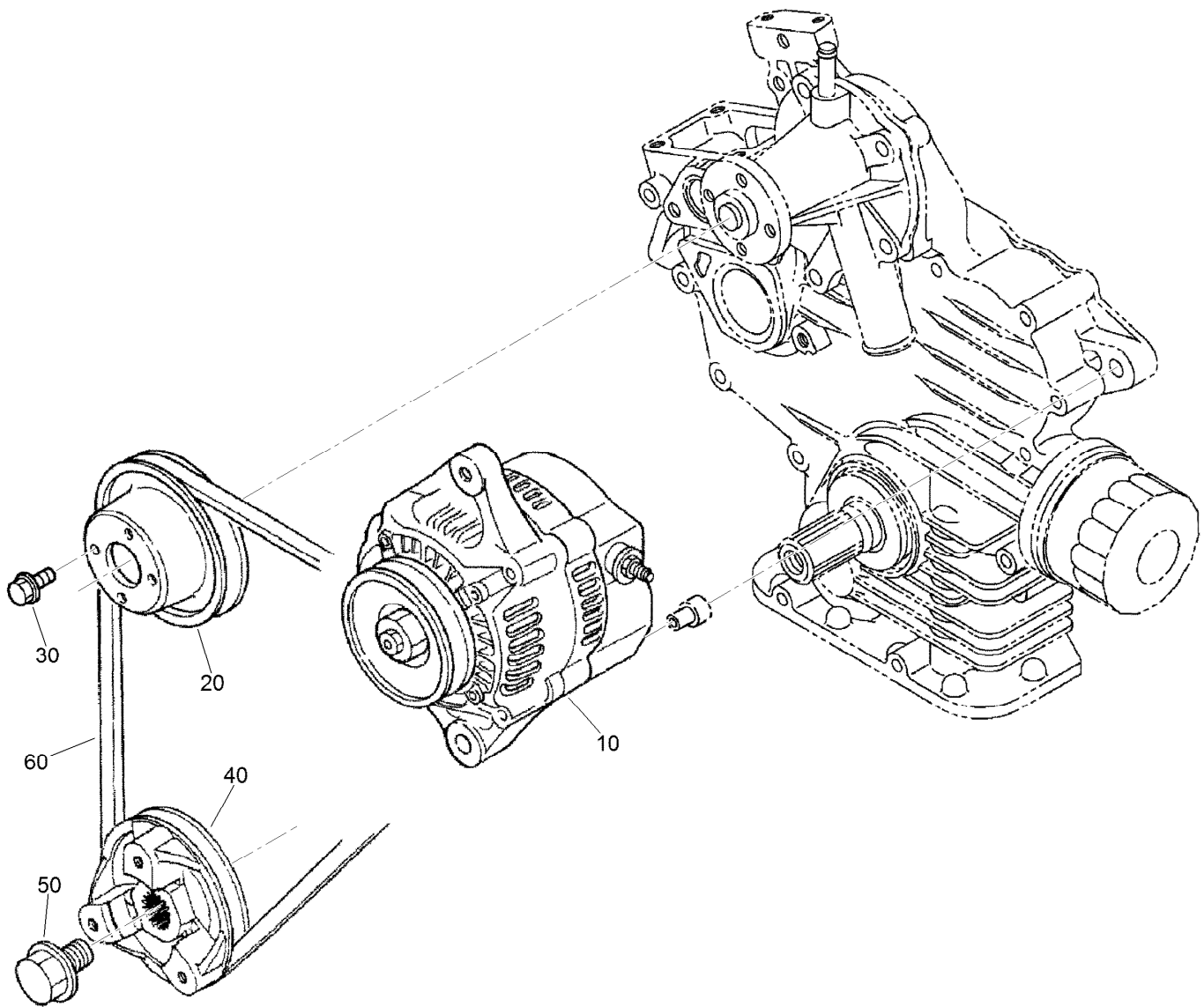
Nozzle Holder Assembly (continued)

| <i>Ref.</i> | <i>Part Number</i> | <i>Qty.</i> | <i>Description</i> | <i>Ref.</i> | <i>Part Number</i> | <i>Qty.</i> | <i>Description</i> |
|-------------|--------------------|-------------|-------------------------------|-------------|--------------------|-------------|-------------------------------|
| 110 | 98-7855 | 3 | Washer-Adjusting (1.275Mm) | 110 | 98-7865 | 3 | Washer-Adjusting (1.525Mm) |
| 110 | 98-7856 | 3 | Washer-Adjusting (1.300Mm) | 110 | 98-7866 | 3 | Washer-Adjusting (1.550Mm) |
| 110 | 98-7857 | 3 | Washer-Adjusting (1.325Mm) | 110 | 98-7867 | 3 | Washer-Adjusting (1.575Mm) |
| 110 | 98-7858 | 3 | Washer-Adjusting (1.350Mm) | 110 | 98-7868 | 3 | Washer-Adjusting (1.600Mm) |
| 110 | 98-7859 | 3 | Washer-Adjusting (1.375Mm) | 110 | 98-7869 | 3 | Washer-Adjusting (1.625Mm) |
| 110 | 98-7860 | 3 | Washer-Adjusting (1.400Mm) | 110 | 98-7870 | 3 | Washer-Adjusting (1.650Mm) |
| 110 | 98-7861 | 3 | Washer-Adjusting (1.425Mm) | 110 | 98-7871 | 3 | Washer-Adjusting (1.675Mm) |
| 110 | 98-7862 | 3 | Washer-Adjusting (1.450Mm) | 110 | 98-7872 | 3 | Washer-Adjusting (1.700Mm) |
| 110 | 98-7863 | 3 | Washer-Adjusting (1.475Mm) | 110 | 98-7873 | 3 | Washer-Adjusting (1.725Mm) |
| 110 | 98-7864 | 3 | Washer-Adjusting (1.500Mm) | 110 | 98-7874 | 3 | Washer-Adjusting (1.750Mm) |



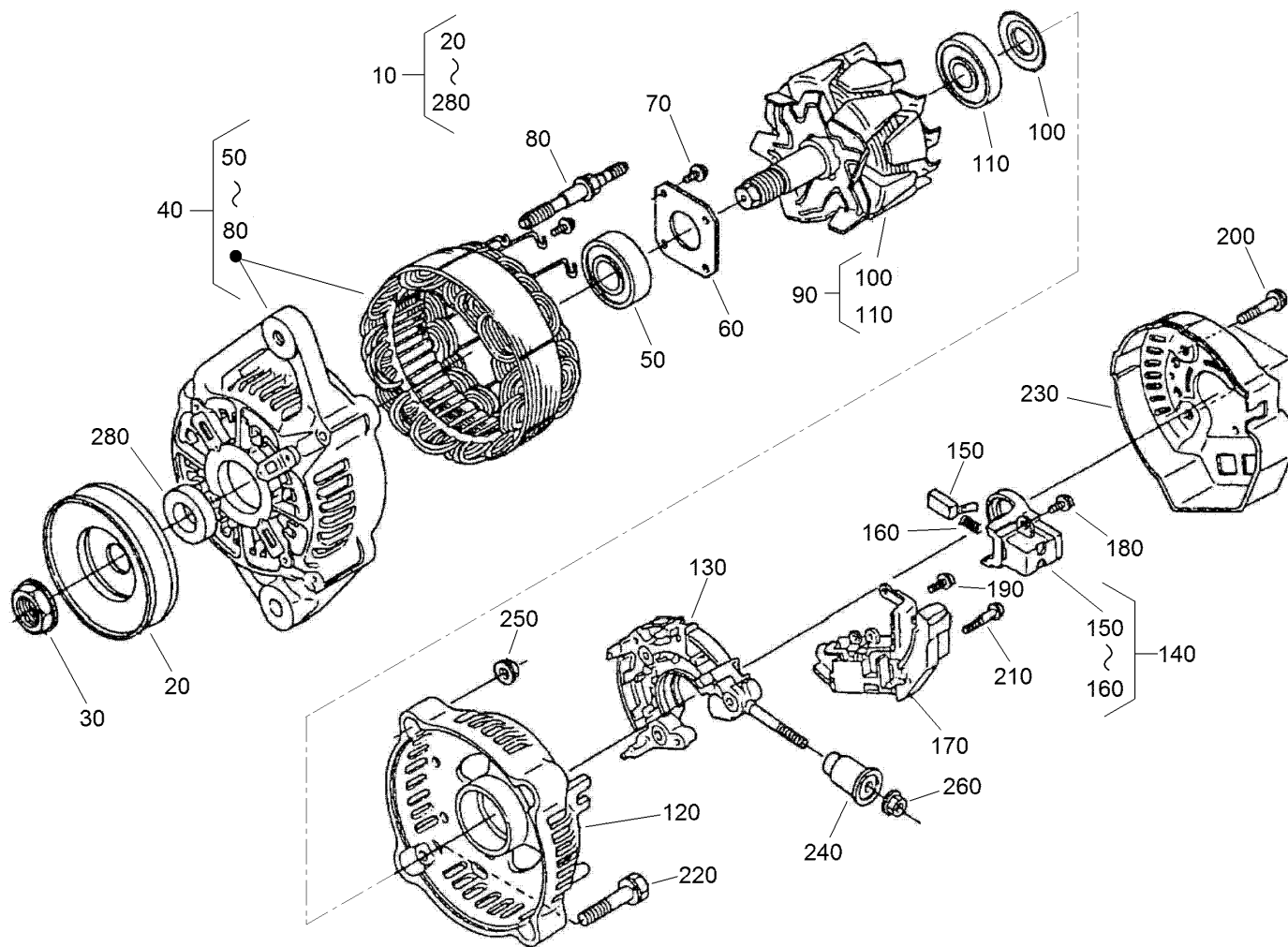
Nozzle Holder Assembly (continued)

| <i>Ref.</i> | <i>Part Number</i> | <i>Qty.</i> | <i>Description</i> | <i>Ref.</i> | <i>Part Number</i> | <i>Qty.</i> | <i>Description</i> |
|-------------|--------------------|-------------|-------------------------------|-------------|--------------------|-------------|-------------------------------|
| 110 | 98-7875 | 3 | Washer-Adjusting (1.775Mm) | 110 | 98-7880 | 3 | Washer-Adjusting (1.900Mm) |
| 110 | 98-7876 | 3 | Washer-Adjusting (1.800Mm) | 110 | 98-7881 | 3 | Washer-Adjusting (1.925Mm) |
| 110 | 98-7877 | 3 | Washer-Adjusting (1.825Mm) | 110 | 98-7882 | 3 | Washer-Adjusting (1.950Mm) |
| 110 | 98-7878 | 3 | Washer-Adjusting (1.850Mm) | 120 | 98-7676 | 3 | Gasket |
| 110 | 98-7879 | 3 | Washer-Adjusting (1.875Mm) | 130 | 98-7677 | 3 | Seal-Heat |



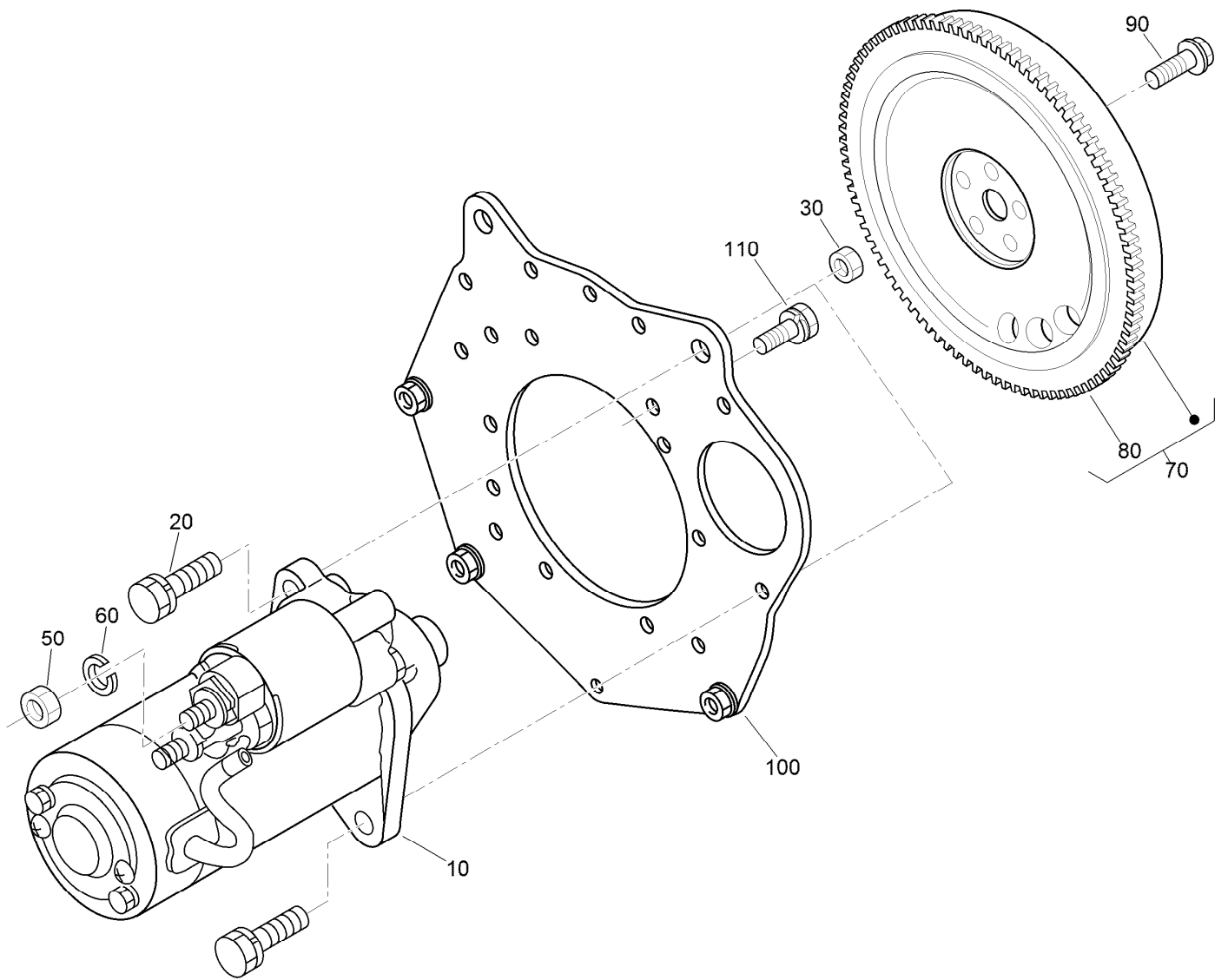
Alternator and Pulley Assembly

| <i>Ref.</i> | <i>Part Number</i> | <i>Qty.</i> | <i>Description</i> |
|-------------|--------------------|-------------|-----------------------|
| 10 | 117-5541 | 1 | 60 Amp Alternator ASM |
| 20 | 100-1921 | 1 | Pulley-Fan |
| 30 | 99-8363 | 4 | Bolt-Flange |
| 40 | 112-2510 | 1 | Pulley-Drive, Fan |
| 50 | 100-1978 | 1 | Bolt |
| 60 | 119-4486 | 1 | Belt-V, Fan |



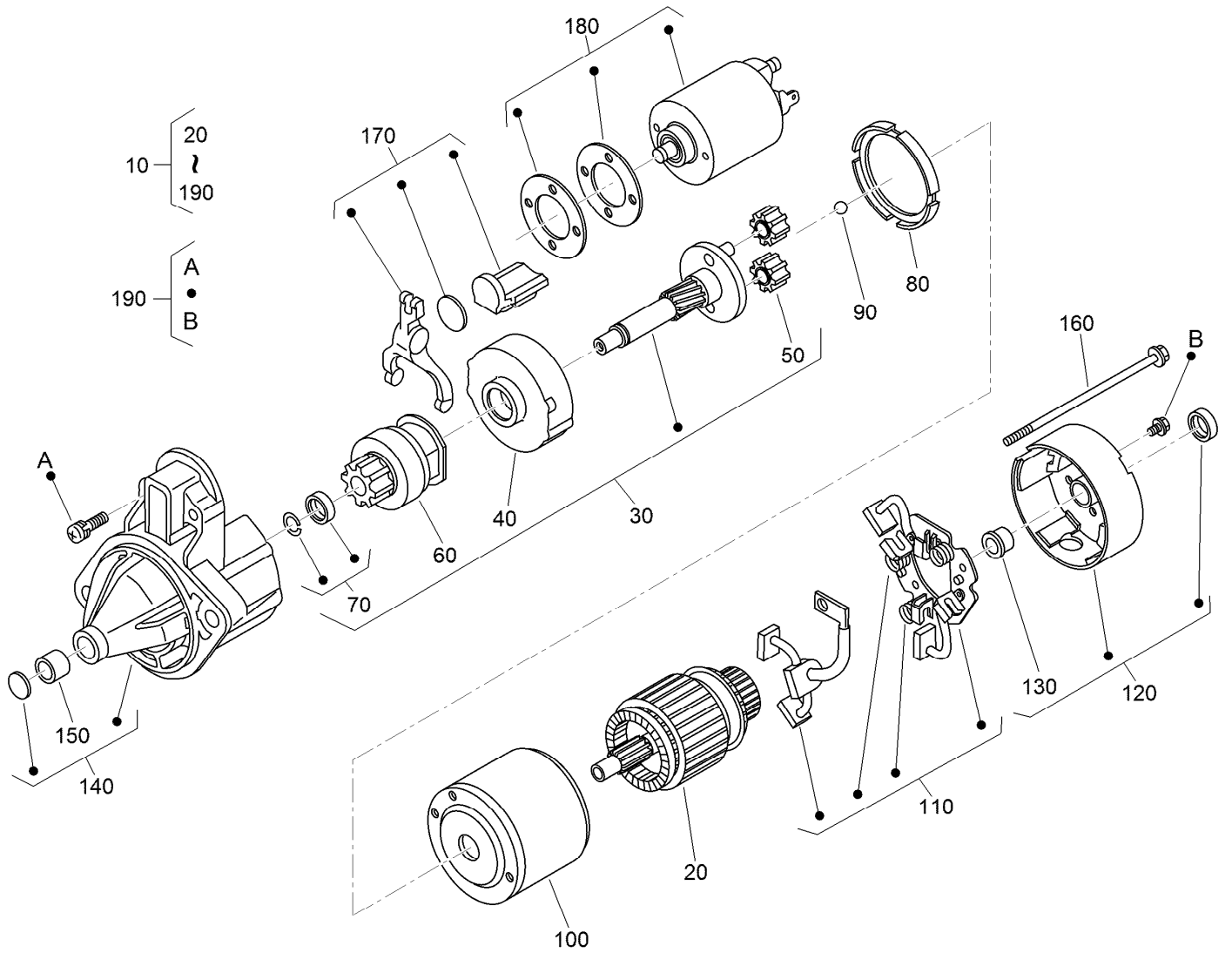
Alternator Components Assembly

| Ref. | Part Number | Qty. | Description | Ref. | Part Number | Qty. | Description |
|------|-------------|------|-----------------------|------|-------------|------|-------------------|
| 10 | 117-5541 | 1 | 60 Amp Alternator ASM | 150 | 98-7724 | 2 | Brush |
| 20 | 98-9453 | 1 | Pulley-Dynamo | 160 | 98-7725 | 2 | Spring-Brush |
| 30 | 98-7708 | 1 | Nut | 170 | 117-0319 | 1 | Regulator ASM |
| 40 | 117-0316 | 1 | Drive End Frame ASM | 180 | 98-7727 | 6 | Screw-Head, Round |
| 50 | 133-2811 | 1 | Bearing | 190 | 98-7728 | 1 | Screw-Head, Round |
| 60 | 98-7715 | 1 | Plate-Retainer | 200 | 98-7729 | 3 | Bolt |
| 70 | 98-7716 | 4 | Screw-Head, Round | 210 | 98-7726 | 2 | Screw-Head, Round |
| 80 | 98-7717 | 2 | Bolt-Through | 220 | 98-7731 | 2 | Bolt |
| 90 | 117-0317 | 1 | Rotor ASM | 230 | 117-0320 | 1 | Cover-End |
| 100 | 98-7711 | 1 | Cover-Bearing | 240 | 117-0321 | 1 | Insulation-Brush |
| 110 | 107-0138 | 1 | Bearing-Ball | 250 | 98-7730 | 2 | Nut |
| 120 | 133-2813 | 1 | Frame-End | 260 | 98-7732 | 1 | Nut |
| 130 | 117-0322 | 1 | Holder | 280 | 98-7709 | 1 | Collar |
| 140 | 107-0141 | 1 | Brush Holder ASM | | | | |



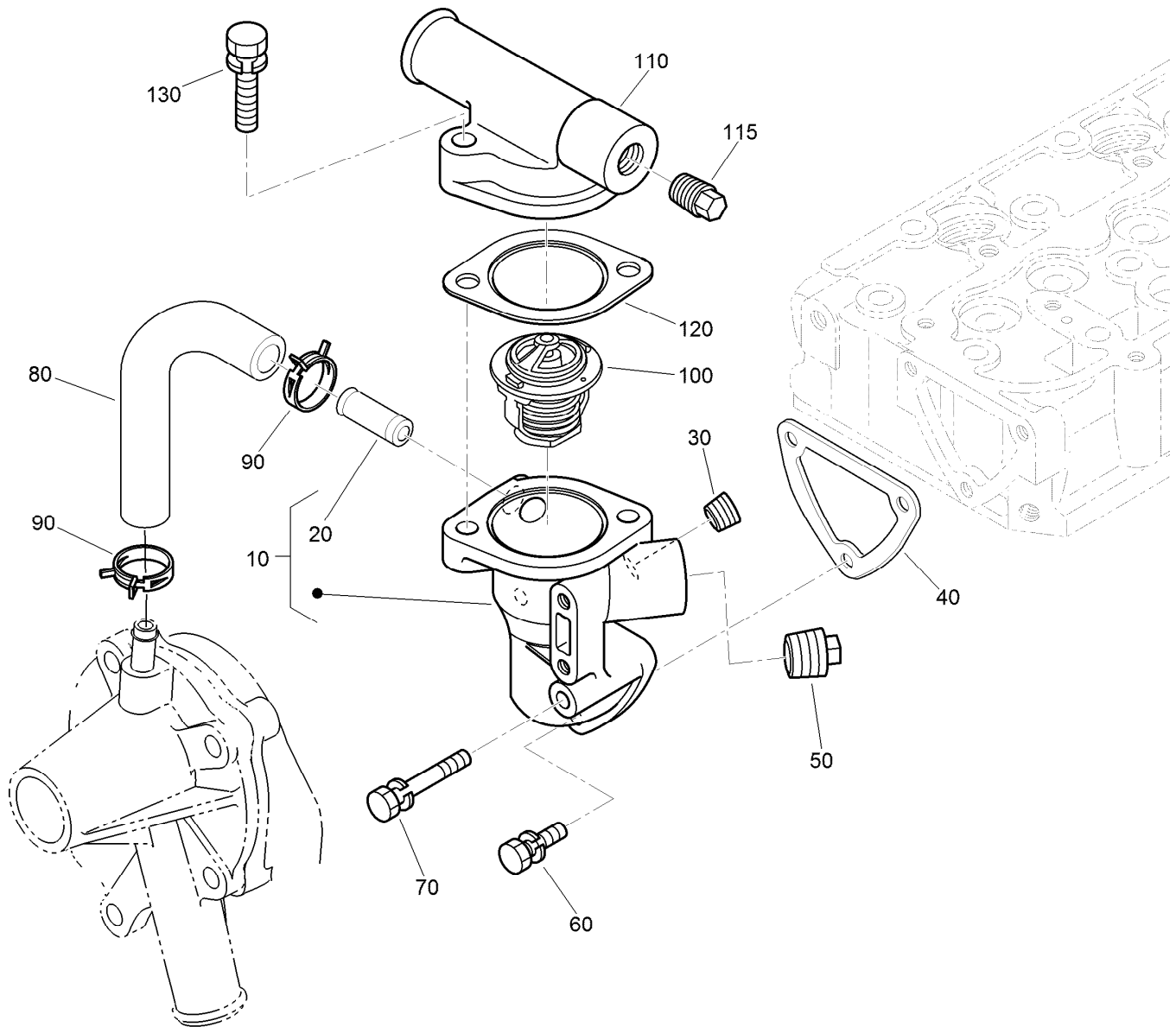
Starter and Flywheel Assembly

| Ref. | Part Number | Qty. | Description |
|------|-------------|------|-----------------|
| 10 | 110-3800 | 1 | Starter ASM |
| 20 | 98-7697 | 2 | Bolt |
| 30 | 98-7534 | 2 | Nut |
| 50 | 98-7534 | 1 | Nut |
| 60 | 105-2893 | 1 | Washer-Spring |
| 70 | 130-1369 | 1 | Flywheel ASM |
| 80 | 127-1604 | 1 | Gear-Ring |
| 90 | 100-1930 | 5 | Bolt-Flywheel |
| 100 | 120-3130 | 1 | Plate-End, Rear |
| 110 | 110-3754 | 10 | Bolt |



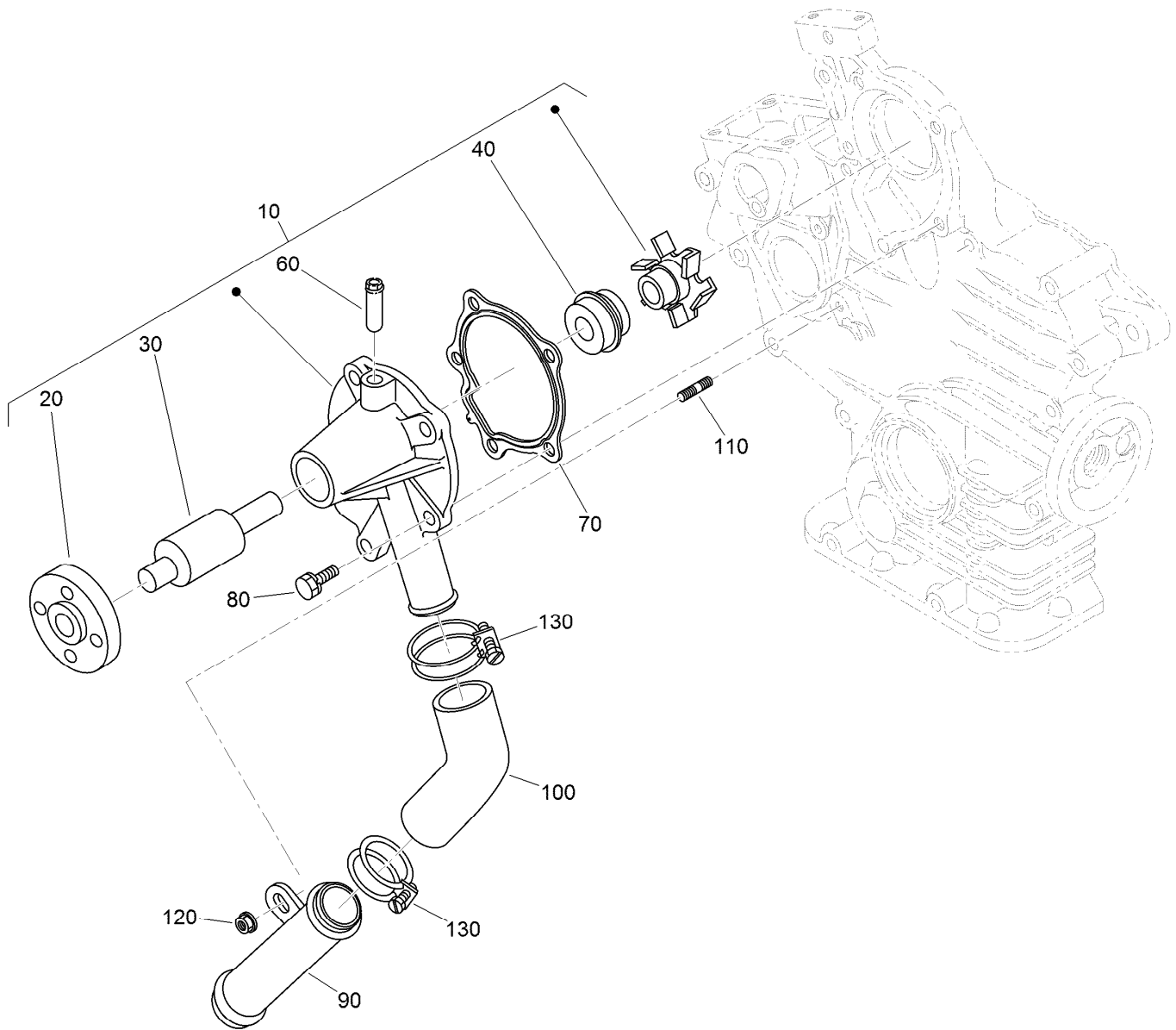
Starter Component Assembly

| <i>Ref.</i> | <i>Part Number</i> | <i>Qty.</i> | <i>Description</i> | <i>Ref.</i> | <i>Part Number</i> | <i>Qty.</i> | <i>Description</i> |
|-------------|--------------------|-------------|----------------------|-------------|--------------------|-------------|---------------------|
| 10 | 110-3800 | 1 | Starter ASM | 110 | 110-3810 | 1 | Brush Holder ASM |
| 20 | 110-3801 | 1 | Armature | 120 | 110-3811 | 1 | Rear Bracket ASM |
| 30 | 110-3802 | 1 | Shaft ASM | 130 | 110-3812 | 1 | Bushing |
| 40 | 120-3142 | 1 | Gear-Internal | 140 | 110-3813 | 1 | Front Bracket ASM |
| 50 | 110-3804 | 3 | Gear-Planetary | 150 | 110-3814 | 1 | Bushing |
| 60 | 110-3805 | 1 | Clutch-Running, Over | 160 | 110-3815 | 2 | Bolt |
| 70 | 110-3806 | 1 | Stopper | 170 | 110-3816 | 1 | Fork Lever ASM |
| 80 | 120-3143 | 1 | Gasket | 180 | 110-3817 | 1 | Magnetic Switch ASM |
| 90 | 110-3808 | 1 | Ball | 190 | 110-3818 | 1 | Screws (Set Of 4) |
| 100 | 130-1295 | 1 | Yoke | | | | |



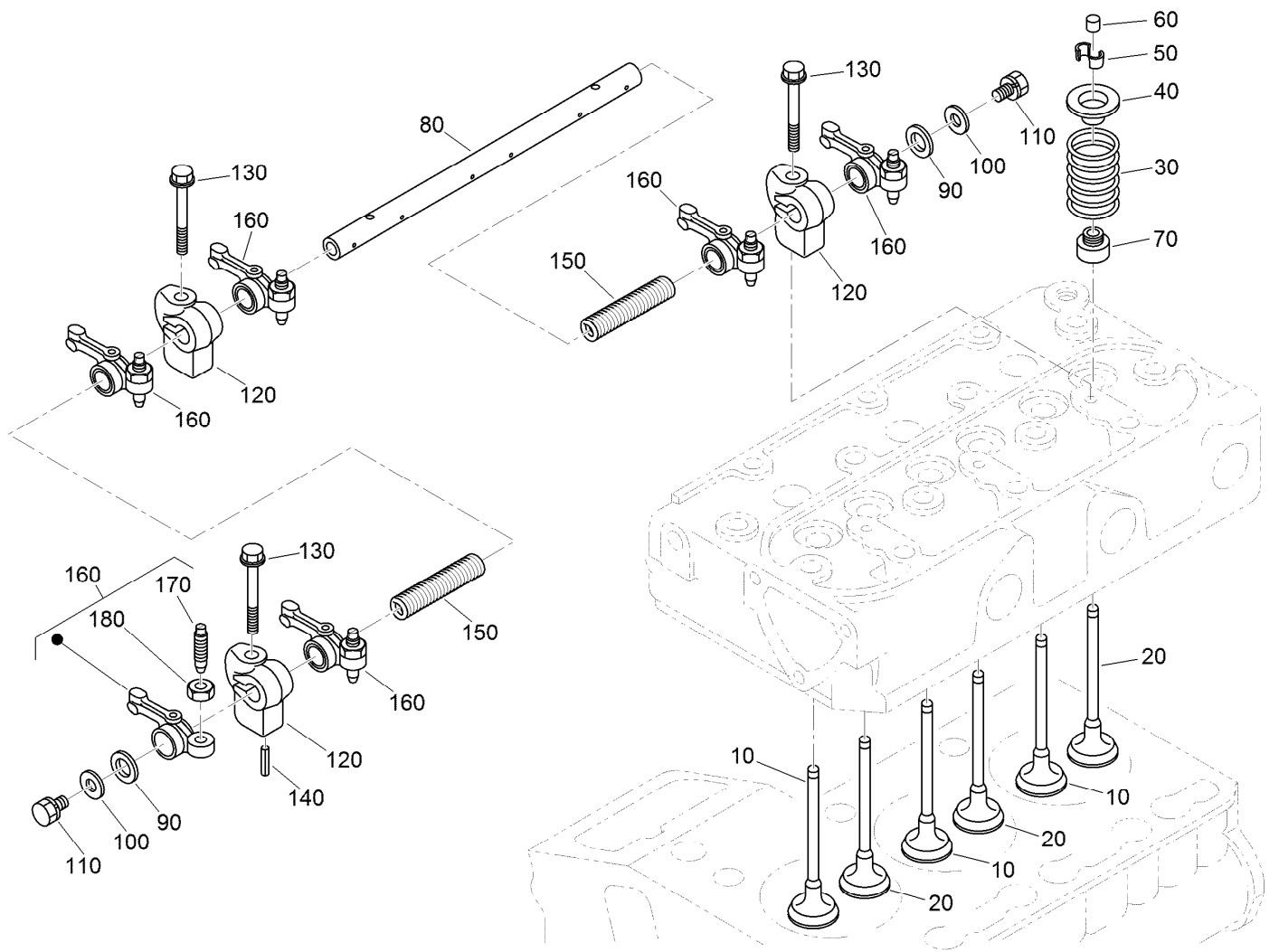
Water Flange and Thermostat Assembly

| <i>Ref.</i> | <i>Part Number</i> | <i>Qty.</i> | <i>Description</i> |
|-------------|--------------------|-------------|----------------------|
| 10 | 110-3819 | 1 | Water Flange ASM |
| 20 | 98-9580 | 1 | Pipe-Return, Water |
| 30 | 98-9444 | 1 | Plug |
| 40 | 110-3820 | 1 | Gasket-Flange, Water |
| 50 | 110-3821 | 1 | Plug |
| 60 | 98-7692 | 2 | Bolt |
| 70 | 125-9063 | 1 | Bolt-Sems |
| 80 | 110-3822 | 1 | Pipe-Return, Water |
| 90 | 125-9078 | 2 | Clamp-Hose |
| 100 | 98-7778 | 1 | Thermostat ASM |
| 110 | 120-7575 | 1 | Cover-Thermostat |
| 115 | 125-9079 | 1 | Plug |
| 120 | 105-3748 | 1 | Gasket-Thermostat |
| 130 | 98-7777 | 2 | Bolt |



Water Pump and Water Pipe Assembly

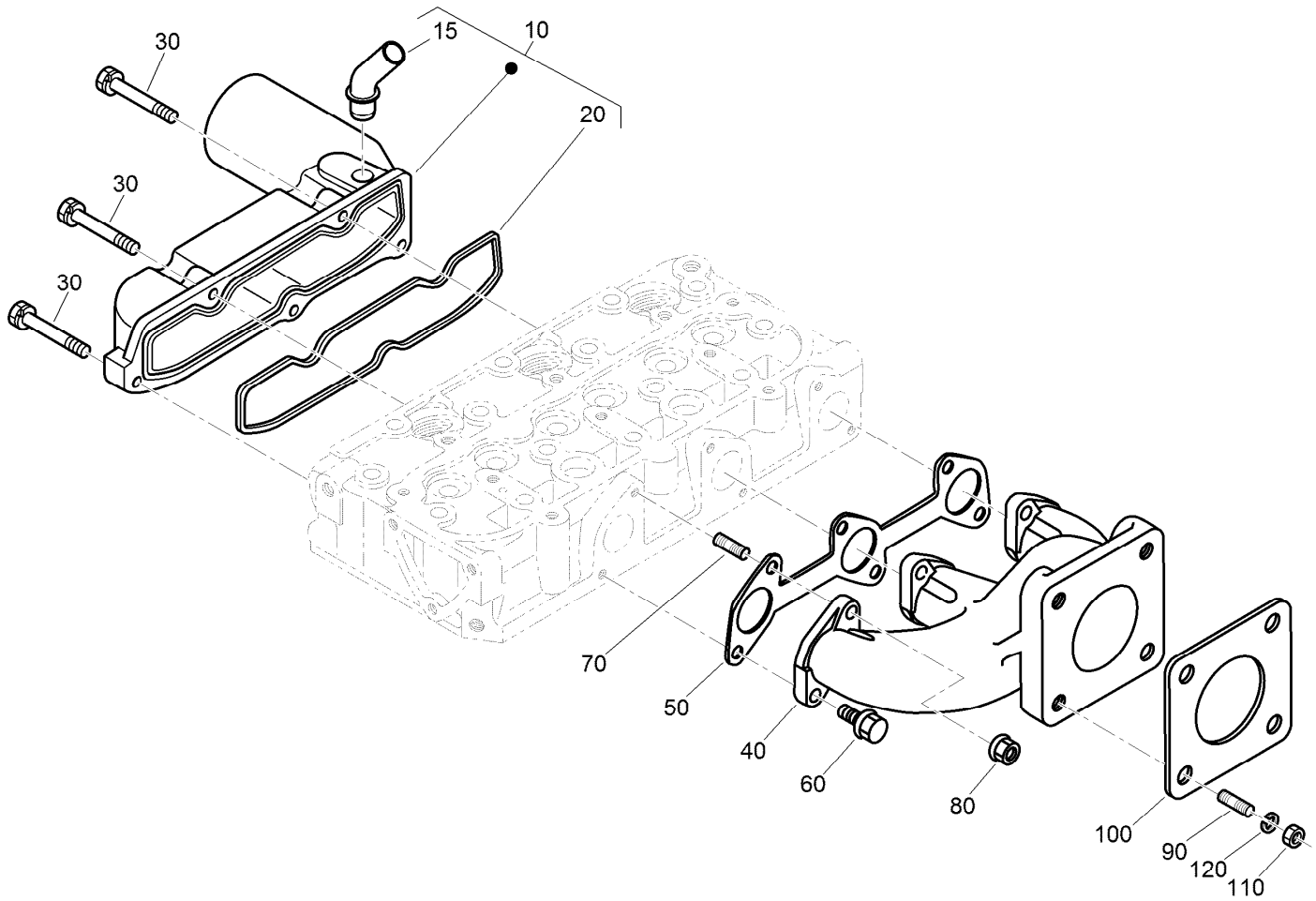
| <i>Ref.</i> | <i>Part Number</i> | <i>Qty.</i> | <i>Description</i> |
|-------------|--------------------|-------------|---------------------|
| 10 | 110-3824 | 1 | Water Pump ASM |
| 20 | 125-9081 | 1 | Flange-Pump, Water |
| 30 | 100-1934 | 1 | Bearing-Ball |
| 40 | 99-3518 | 1 | Water Pump Seal ASM |
| 60 | 100-1932 | 1 | Pipe-Return, Water |
| 70 | 117-0330 | 1 | Gasket-Pump, Water |
| 80 | 100-1750 | 4 | Bolt |
| 90 | 100-1918 | 1 | Pipe-Water |
| 100 | 110-3827 | 1 | Pipe-Water |
| 110 | 100-1924 | 1 | Stud |
| 120 | 100-2203 | 1 | Nut-Flange |
| 130 | 110-3828 | 2 | Band-Pipe |



Valve and Rocker Arm Assembly

| Ref. | Part Number | Qty. | Description |
|------|-------------|------|------------------------|
| 10 | 112-2514 | 3 | Valve-Inlet |
| 20 | 112-2515 | 3 | Valve-Exhaust |
| 30 | 100-1823 | 6 | Spring-Valve |
| 40 | 100-1825 | 6 | Retainer-Spring, Valve |
| 50 | 120-3136 | 6 | Collet-Spring, Valve |
| 60 | 100-2155 | 6 | Cap-Valve |
| 70 | 100-1797 | 6 | Seal-Stem, Valve |
| 80 | 112-8341 | 1 | Shaft-Arm, Rocker |
| 90 | 100-2044 | 2 | Washer |

| Ref. | Part Number | Qty. | Description |
|------|-------------|------|---------------------|
| 100 | 110-3832 | 2 | Washer-Plain |
| 110 | 100-1762 | 2 | Bolt |
| 120 | 110-3833 | 3 | Bracket-Arm, Rocker |
| 130 | 110-3834 | 3 | Bolt-Flange |
| 140 | 98-7602 | 1 | Pin-Spring |
| 150 | 112-8342 | 2 | Spring |
| 160 | 100-1884 | 6 | Rocker Arm ASM |
| 170 | 100-1885 | 6 | Screw-Adjusting |
| 180 | 100-1827 | 6 | Nut |



Inlet and Exhaust Manifold Assembly

| <i>Ref.</i> | <i>Part Number</i> | <i>Qty.</i> | <i>Description</i> |
|-------------|--------------------|-------------|--------------------------|
| 10 | 120-3141 | 1 | Intake Manifold ASM |
| 15 | 121-2417 | 1 | Pipe-Breather |
| 20 | 110-3838 | 1 | Gasket-Manifold, Intake |
| 30 | 98-9352 | 5 | Bolt |
| 40 | 110-3839 | 1 | Manifold-Exhaust |
| 50 | 110-3840 | 1 | Gasket-Manifold, Exhaust |
| 60 | 130-1154 | 3 | Screw-Hex HD |
| 70 | 130-1156 | 3 | Bolt-Stud |
| 80 | 100-1778 | 3 | Nut |
| 90 | 98-7769 | 4 | Stud |
| 100 | 99-8343 | 1 | Gasket-Muffler |
| 110 | 98-7534 | 4 | Nut |
| 120 | 105-2893 | 4 | Washer-Spring |

Attachments and Accessories

For 04540 Greensmaster 3420 TriFlex Traction Unit

| Product Name | Model/Part |
|--|-------------------|
| Turf Evaluator | 04399 |
| CE Guard Kit, Greensmaster 3420 TriFlex Traction Unit..... | 04443 |
| Standard Greensmower Seat Kit | 04508 |
| Light Kit..... | 04554 |
| 8-Blade DPA Reel Mower | 04651 |
| 11-Blade DPA Reel Mower | 04653 |
| 14-Blade DPA Reel Mower | 04655 |
| Three-Wheel Drive Kit | 04714 |
| Anti-Bobbing Kit..... | 04716 |
| Premium Seat Kit..... | 04719 |
| Dethatching Unit | 04720 |
| Tri-Roller | 04722 |
| Spiker | 04723 |
| Hydraulic Oil Leak Detector Kit | 04730 |
| Premium All Season Hydraulic Fluid (55 Gallon Drum) | 108-1177 |
| Premium All Season Hydraulic Fluid (5 Gallon Pail)..... | 108-1178 |
| Wireless Hourmeter | 115-4754 |
| Bag Kit | 119-1715 |
| Premium Synthetic Bio-Degradable Hydraulic Fluid (5 Gallon Pail) | 119-2157 |
| Premium Synthetic Bio-Degradable Hydraulic Fluid (55 Gallon Drum)..... | 119-2158 |
| Premium Armrest Kit..... | 119-7105 |
| Spark Arrester Kit | 120-1951 |
| Armrest Kit..... | 121-3660 |
| Premium Engine Oil 10w30 (55 Gallon Drum) | 121-6392 |
| Premium Engine Oil 10w30 (5 Gallon Pail) | 121-6393 |
| Weight Kit | 121-6665 |
| Bimini Shade Kit | 138-8579 |
| MVP Kit 1000 Hour | 44970 |
| Height-of-Cut Bar..... | 94-9010 |
| Tire-TURFMATE | 99-4506 |

Notes:



Count on it.