

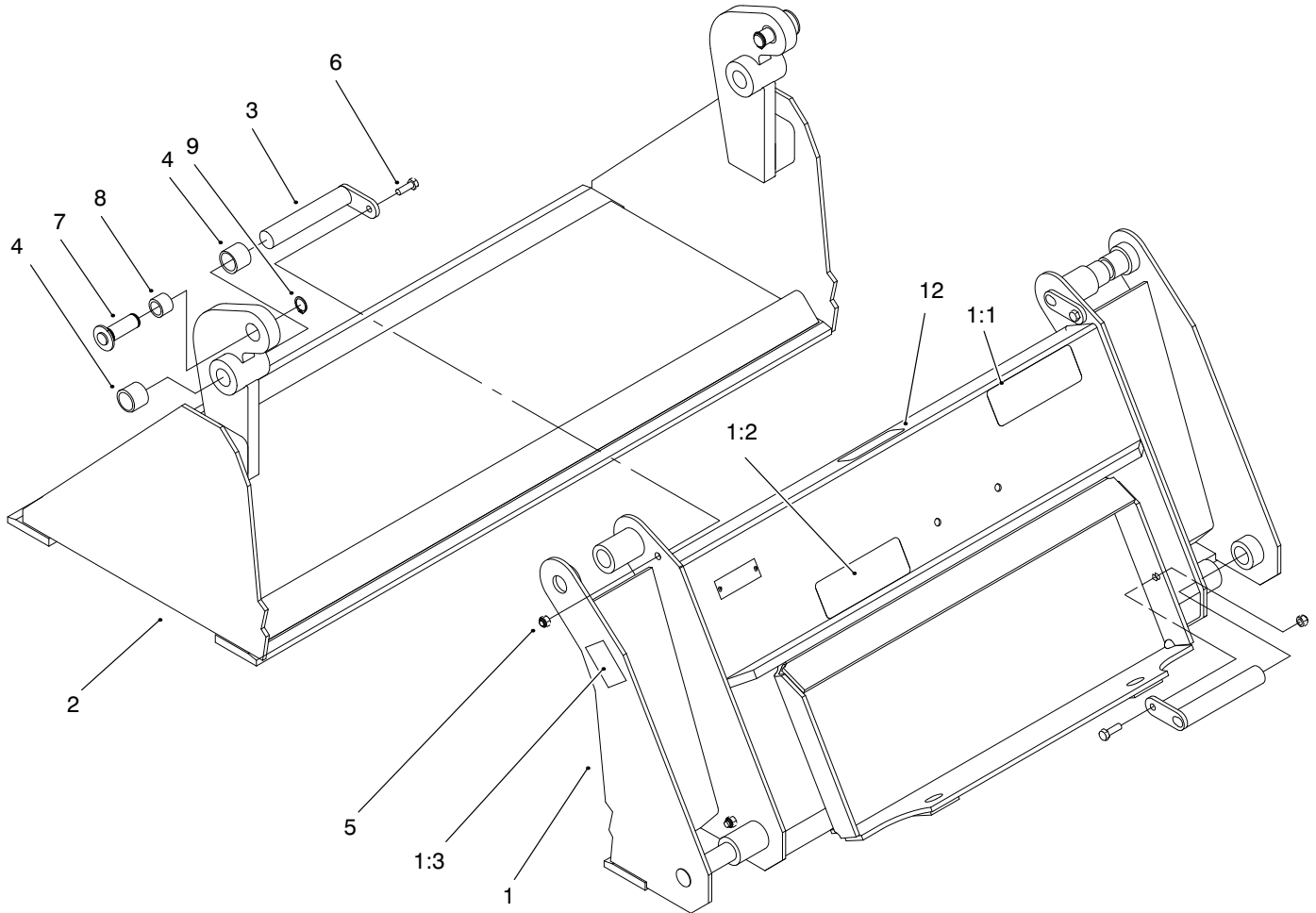


MODEL NO. 22411-890001 &amp; UP

PARTS  
CATALOG

## 4 IN 1 BUCKET

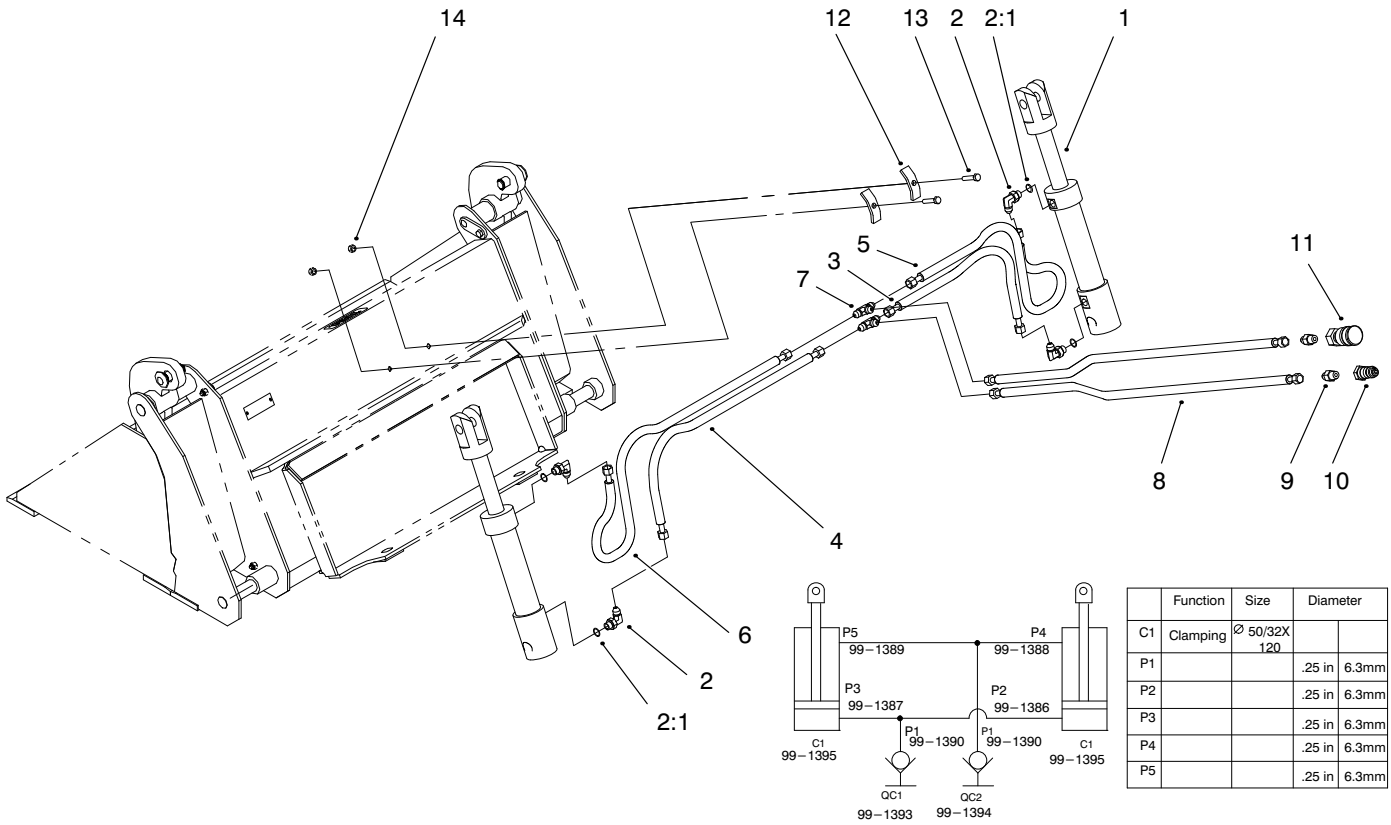
for Toro Siteworks Systems



### BUCKET ASSEMBLY

Ref. No.	Part No.	Description	No. Used
1	98-2706	Base Assembly	1
1:1	100-4648	Decal - Warning	1
1:2	100-4689	Decal - Load	1
1:3	93-9367	Decal - Warning	2
2	99-1359	Jaw Assembly	1
3	99-1361	Pin 1"	4
4	99-1363	Bushing 1-1/4"	4

Ref. No.	Part No.	Description	No. Used
5	33024-00	Nut - Lock	4
6	33104-025	Screw - HHF	4
7	99-1362	Pin 3/4"	2
8	99-1364	Bushing 1"	2
9	32120-72	Ring - Retainer	2
12	98-4683	Decal	1



C-2845

## HYDRAULIC ASSEMBLY

Ref. No.	Part No.	Description	No. Used
1	99-1395	Cylinder – Hydraulic	2
*	99-1417	Seal Kit for 99-1395	2
2	353-374	Fitting – Hydraulic	4
2:1	237-42	O-Ring	4
3	99-1386	Hose Assembly	1
4	99-1387	Hose Assembly	1
5	99-1388	Hose Assembly	1
6	99-1389	Hose Assembly	1

Ref. No.	Part No.	Description	No. Used
7	99-1391	Tee – Hydraulic	2
8	99-1390	Hose Assembly	2
9	99-1392	Adapter – Hydraulic	2
10	99-1393	Quick – Disconnect, Male	1
11	99-1394	Quick – Disconnect, Female	1
12	99-1360	Clamp – Hose	2
13	33104-040	Screw – HHF	2
14	33024-00	Nut – Lock	2