



**Count on it.**

**Parts Catalog**

**Full-Flight Auger Bit  
Compact Utility Loader**

Model No. 22820

Model No. 22821

Model No. 22822

Model No. 22823



# Ordering Replacement Parts

To order replacement parts, please supply the part number, the quantity, and the description of each part desired.

## Understanding Reference Numbers

Each identified part in an illustration has a reference number. The reference number for a part also appears in the parts list, along with other information about the part.

This catalog uses two special reference number formats, one to indicate parts in a service assembly and another to indicate the quantity of a given part in an illustration.

## Service Assembly Reference Numbers

Parts in service assemblies have reference numbers in the form a:b. The a represents the reference number of the entire service assembly and the b represents a sequential number unique to each part within the service assembly.

For example, a wheel assembly might be identified by reference number 6, the tire by 6:1, the valve by 6:2, and the wheel by 6:3. When you order the assembly identified by reference number 6, you receive all parts identified by reference numbers 6:1, 6:2, and 6:3. However, you may also order any part individually. Reference numbers of this type appear in illustration and in parts lists.

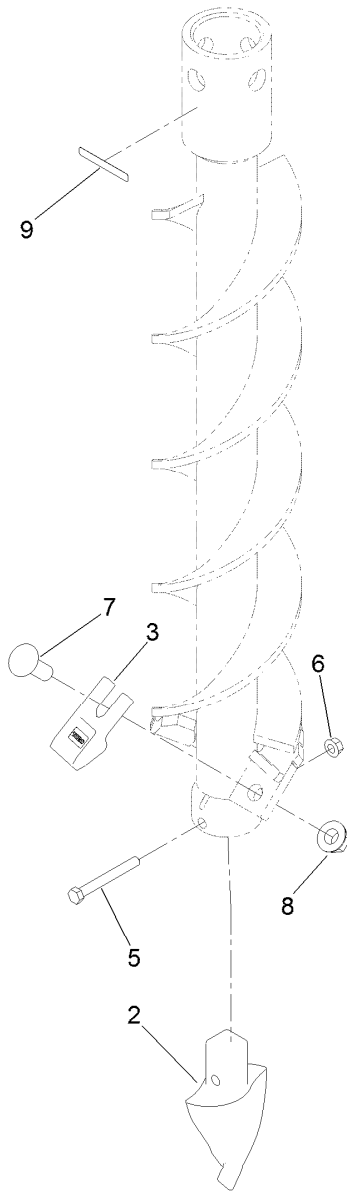
## Reference Numbers Indicating Quantity

In an illustration, if a reference number indicates more than one part, the reference number has the form nX y. The n represents the quantity of the part, the X is the multiplication symbol, and the y represents the reference number.

For example, in an illustration, the reference number 2X 37 means that two of the parts identified by reference number 37 are indicated.

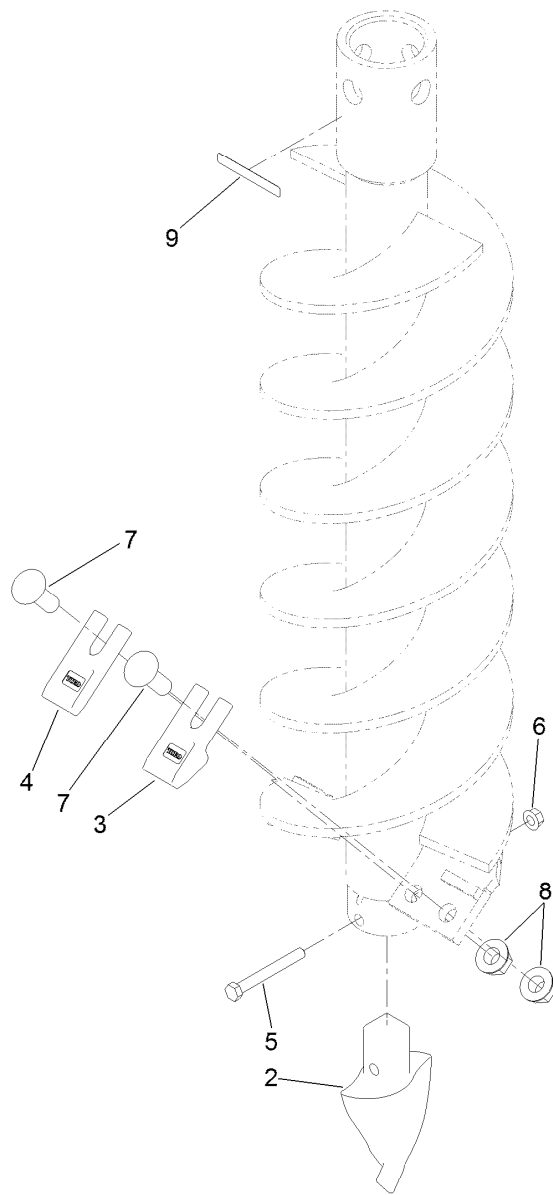
# Contents

6-Inch Full-Flight Auger Bit Assembly .....	4
9-Inch Full-Flight Auger Bit Assembly .....	5
12-Inch Full-Flight Auger Bit Assembly .....	6
15-Inch Full-Flight Auger Bit Assembly .....	7
Attachments and Accessories .....	8



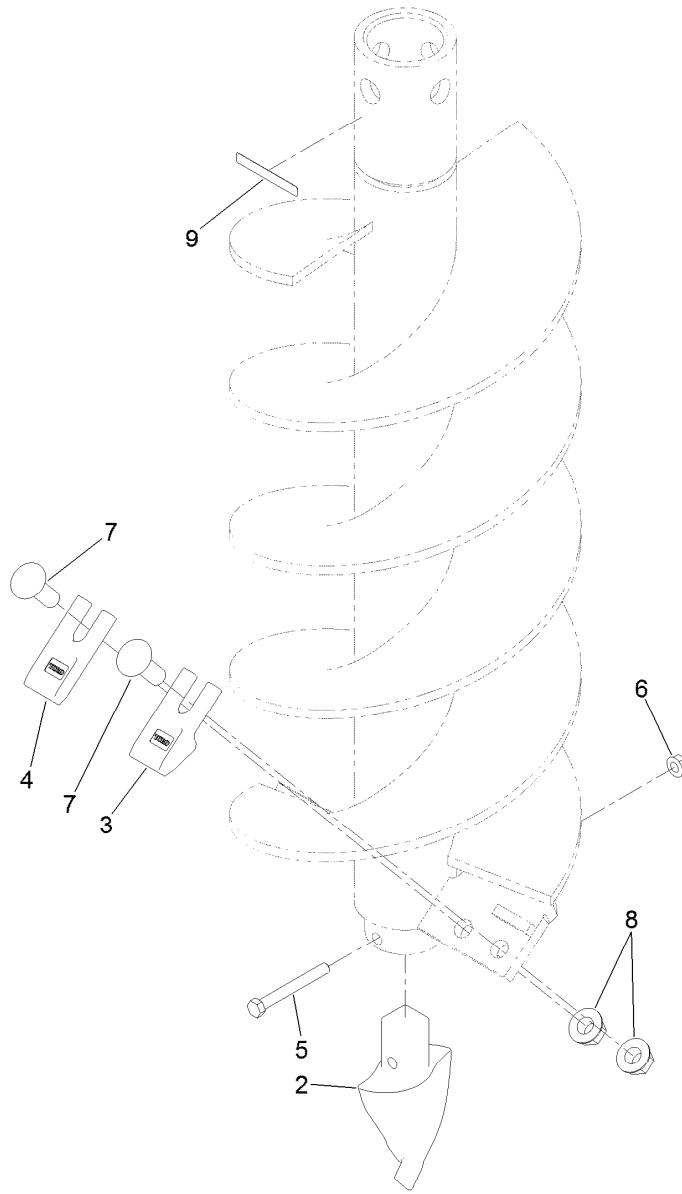
## 6-Inch Full-Flight Auger Bit Assembly

<i>Ref.</i>	<i>Part Number</i>	<i>Qty.</i>	<i>Description</i>
2	107-9314	1	Pilot-Augur
3	107-9313	2	Tooth-Outer
5	323-20	1	Screw-HH
6	32128-21	1	Nut-HF
7	3233-20	2	Screw-CARR
8	32128-50	2	Nut-Flange
9	133-8061	1	Decal-Warning



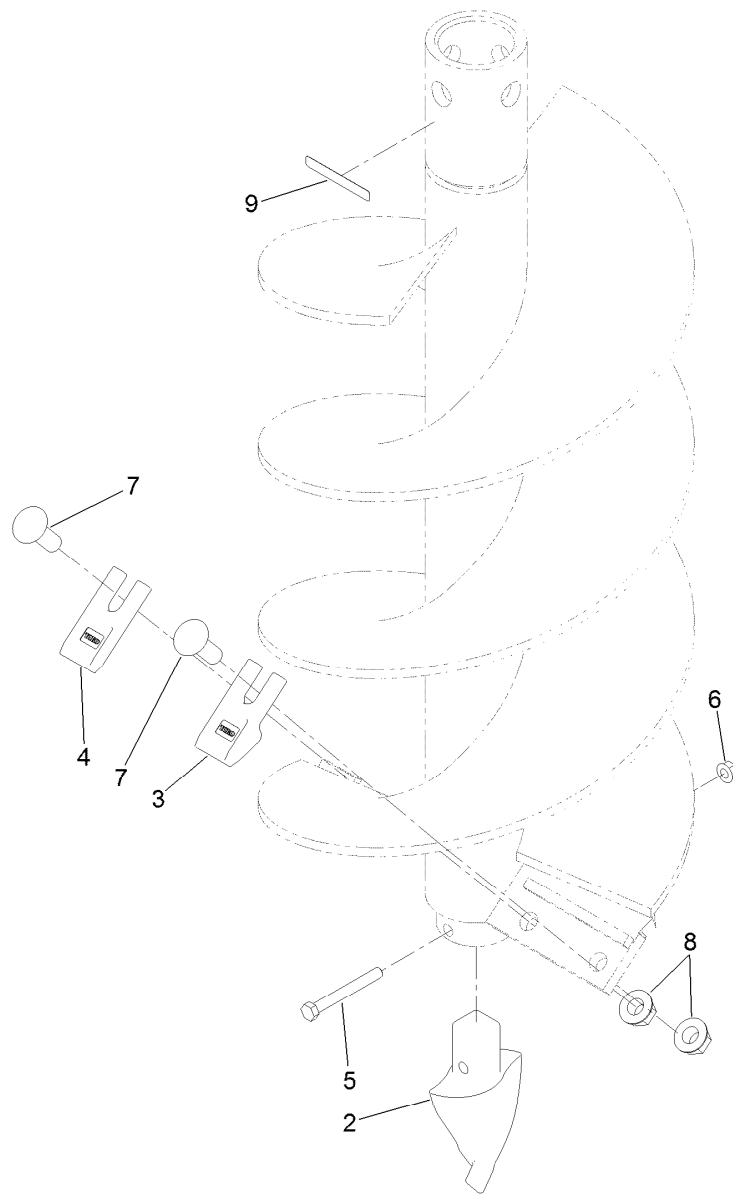
## 9-Inch Full-Flight Auger Bit Assembly

<i>Ref.</i>	<i>Part Number</i>	<i>Qty.</i>	<i>Description</i>
2	107-9314	1	Pilot-Auger
3	107-9313	2	Tooth-Outer
4	107-9312	1	Tooth-Inner
5	323-20	1	Screw-HH
6	32128-21	1	Nut-HF
7	3233-20	3	Screw-CARR
8	32128-50	3	Nut-Flange
9	133-8061	1	Decal-Warning



## 12-Inch Full-Flight Auger Bit Assembly

<i>Ref.</i>	<i>Part Number</i>	<i>Qty.</i>	<i>Description</i>
2	107-9314	1	Pilot-Auger
3	107-9313	2	Tooth-Outer
4	107-9312	2	Tooth-Inner
5	323-20	1	Screw-HH
6	32128-21	1	Nut-HF
7	3233-20	4	Screw-CARR
8	32128-50	4	Nut-Flange
9	133-8061	1	Decal-Warning



## 15-Inch Full-Flight Auger Bit Assembly

Ref.	Part Number	Qty.	Description
2	107-9314	1	Pilot-Auger
3	107-9313	2	Tooth-Outer
4	107-9312	3	Tooth-Inner
5	323-20	1	Screw-HH
6	32128-21	1	Nut-HF
7	3233-20	5	Screw-CARR
8	32128-50	5	Nut-Flange
9	133-8061	1	Decal-Warning

# Attachments and Accessories

## For 22820 Full-Flight Auger Bit Compact Utility Loader

<b>Product Name</b>	<b>Model/Part</b>
Tooth-Wisdom, Carbide .....	104-5996
Tooth-Chisel, Carbide .....	104-5997
Pilot-Hardfaced.....	104-5998

## For 22821 Full-Flight Auger Bit Compact Utility Loader

<b>Product Name</b>	<b>Model/Part</b>
Tooth-Wisdom, Carbide .....	104-5996
Tooth-Chisel, Carbide .....	104-5997
Pilot-Hardfaced.....	104-5998

## For 22822 Full-Flight Auger Bit Compact Utility Loader

<b>Product Name</b>	<b>Model/Part</b>
Tooth-Wisdom, Carbide .....	104-5996
Tooth-Chisel, Carbide .....	104-5997
Pilot-Hardfaced.....	104-5998

## For 22823 Full-Flight Auger Bit Compact Utility Loader

<b>Product Name</b>	<b>Model/Part</b>
Tooth-Wisdom, Carbide .....	104-5996
Tooth-Chisel, Carbide .....	104-5997
Pilot-Hardfaced.....	104-5998



**Notes:**

**Notes:**

**Notes:**



**Count on it.**