



EN 48cm Super Recycler® Lawn Mower

20837

DE 48 cm Super Recycler® Rasenmäher

20837

FR Tondeuse Super Recycler® de 48 cm

20837

NL 48 cm Super Recycler® gazonmaaier

20837





48cm Super Recycler® Lawn Mower

Model No. 20837—Serial No. 401500000 and Up

Operator's Manual

Introduction

This rotary-blade, walk-behind lawn mower is intended to be used by residential homeowners. It is designed primarily for cutting grass on well-maintained lawns on residential properties. It is not designed for cutting brush or for agricultural uses.

Read this information carefully to learn how to operate and maintain your product properly and to avoid injury and product damage. You are responsible for operating the product properly and safely.

You may contact Toro directly at www.Toro.com for product and accessory information, help finding a dealer, or to register your product.

Whenever you need service, genuine Toro parts, or additional information, contact an Authorized Service Dealer or Toro Customer Service and have the model and serial numbers of your product ready. **Figure 1** identifies the location of the model and serial numbers on the product. Write the numbers in the space provided.

Important: With your mobile device, you can scan the QR code on the serial number decal (if equipped) to access warranty, parts, and other product information.

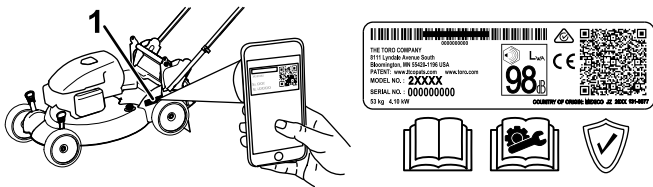


Figure 1

g226629

1. Model and serial number location

Model No. _____
Serial No. _____

This manual identifies potential hazards and has safety messages identified by the safety-alert symbol (**Figure 2**), which signals a hazard that may cause serious injury or death if you do not follow the recommended precautions.



Figure 2

Safety-alert symbol

g000502

This manual uses 2 words to highlight information. **Important** calls attention to special mechanical information and **Note** emphasizes general information worthy of special attention.

This product complies with all relevant European directives; for details, please see the separate product specific Declaration of Conformity (DOC) sheet.

Gross or Net Torque: The gross or net torque of this engine was laboratory rated by the engine manufacturer in accordance with the Society of Automotive Engineers (SAE) J1940 or J2723. As configured to meet safety, emission, and operating requirements, the actual engine torque on this class of mower will be significantly lower. Please refer to the engine manufacturer's information included with the machine.

Do not tamper with or disable safety devices on the machine, and check their proper operation regularly. Do not attempt to adjust or tamper with the engine speed control; doing so may create an unsafe operating condition, resulting in personal injury.

Contents

- Introduction 1
- Safety 2
 - General Safety 2
 - Safety and Instructional Decals 3
- Setup 4
 - 1 Unfolding the Handle 4
 - 2 Installing the Recoil-Starter Rope in the Rope Guide 4
 - 3 Filling the Engine with Oil 4
 - 4 Assembling the Grass Bag 5
- Product Overview 6
 - Specifications 6
- Operation 7
 - Before Operation 7
 - Before Operation Safety 7
 - Filling the Fuel Tank 7



Safety

This machine has been designed in accordance with EN ISO 5395:2013.

General Safety

This product is capable of amputating hands and feet and of throwing objects. Always follow all safety instructions to avoid serious personal injury.

Using this product for purposes other than its intended use could prove dangerous to you and bystanders.

- Read, understand, and follow the instructions and warnings in this *Operator's Manual* and on the machine and attachments before starting the engine.
- Do not put your hands or feet near moving parts of or under the machine. Keep clear of any discharge opening.
- Do not operate the machine without all guards and other safety protective devices in place and working on the machine.
- Keep bystanders and children a safe distance away from the machine. Do not allow children to operate the machine. Allow only people who are responsible, trained, familiar with the instructions, and physically capable to operate the machine.
- Stop the machine, shut off the engine, and wait for all moving parts to stop before servicing, fueling, or unclogging the machine.

Improperly using or maintaining this machine can result in injury. To reduce the potential for injury, comply with these safety instructions and always pay attention to the safety-alert symbol, which means Caution, Warning, or Danger—personal safety instruction. Failure to comply with these instructions may result in personal injury or death.

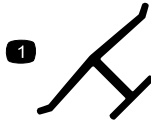
You can find additional safety information where needed throughout this manual.

Checking the Engine-Oil Level.....	8
Adjusting the Handle Height	8
Adjusting the Cutting Height	9
During Operation	9
During Operation Safety	9
Starting the Engine	10
Using the Self-Propel Drive.....	10
Shutting Off the Engine	11
Recycling the Clippings	11
Bagging the Clippings.....	11
Rear-Discharging the Clippings	12
Operating Tips	12
After Operation	13
After Operation Safety	13
Cleaning under the Machine	13
Folding the Handle	14
Maintenance	15
Recommended Maintenance Schedule(s)	15
Maintenance Safety	15
Preparing for Maintenance	15
Servicing the Air Filter	16
Changing the Engine Oil	16
Servicing the Spark Plug.....	17
Replacing the Blade.....	18
Storage	19
Preparing the Machine for Storage	19
Removing the Machine from Storage	19

Safety and Instructional Decals



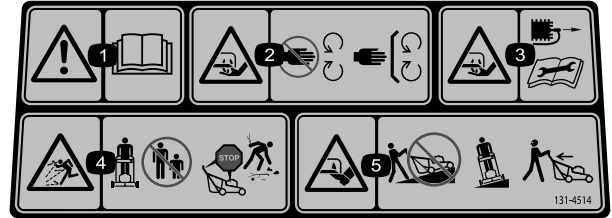
Safety decals and instructions are easily visible to the operator and are located near any area of potential danger. Replace any decal that is damaged or missing.



decal0emmarkt

Manufacturer's Mark

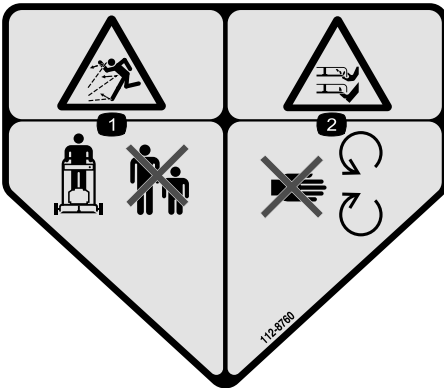
1. This mark indicates that the blade is identified as a part from the original machine manufacturer.



decal131-4514b

131-4514

1. Warning—read the *Operator's Manual*.
2. Cutting/dismemberment hazard of hand, mower blade—stay away from moving parts; keep all guards and shields in place.
3. Cutting/dismemberment hazard of hand, mower blade—disconnect the spark-plug wire and read the instructions before servicing or performing maintenance.
4. Thrown object hazard—keep bystanders a safe distance away from the machine; shut off the engine before leaving the operating position; pick up any debris before mowing.
5. Cutting/dismemberment hazard of foot, mower blade—do not operate up and down slopes; operate side to side on slopes; look behind you when backing up.



decal112-8760

112-8760

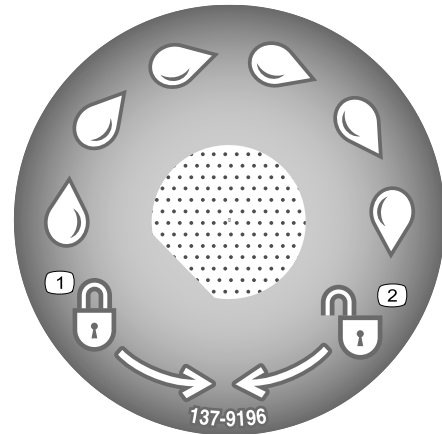
1. Thrown object hazard—keep bystanders a safe distance away from the machine.
2. Cutting/dismemberment of hand or foot—stay away from moving parts.



decal119-2283

119-2283

1. Height of cut



137-9196

137-9196

decal137-9196

1. Lock
2. Unlock

Setup

Important: Remove and discard the protective plastic sheet that covers the engine and any other plastic or wrapping on the machine.

1

Unfolding the Handle

No Parts Required

Procedure

⚠ WARNING

Folding or unfolding the handle improperly can damage the cables, causing an unsafe operating condition.

- Do not damage the cables when folding or unfolding the handle.
- If a cable is damaged, contact an Authorized Service Dealer.

1. Loosen the handle knobs (Figure 3).

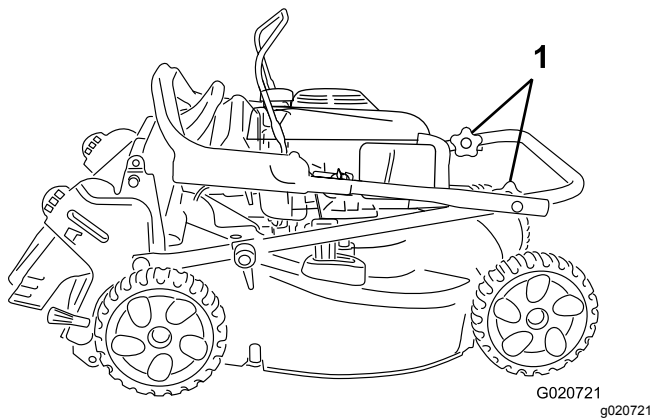


Figure 3

1. Handle knobs

2. Carefully move the upper handle forward until the handle halves are in line and nest together as shown in Figure 4.

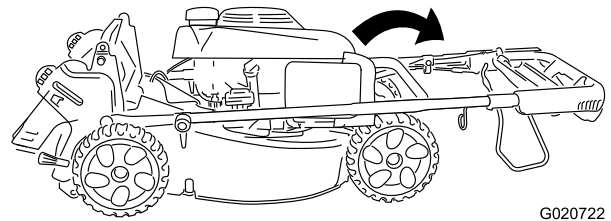


Figure 4

3. Tighten the handle knobs firmly by hand.
4. Rotate the handle rearward to the operating position, and lock the handle at your desired height. Refer to [Adjusting the Handle Height](#) (page 8).

2

Installing the Recoil-Starter Rope in the Rope Guide

No Parts Required

Procedure

Important: To start the engine safely and easily whenever you use the machine, install the recoil-starter rope in the rope guide.

Hold the blade-control bar to the upper handle and pull the recoil-starter rope through the rope guide on the handle (Figure 5).

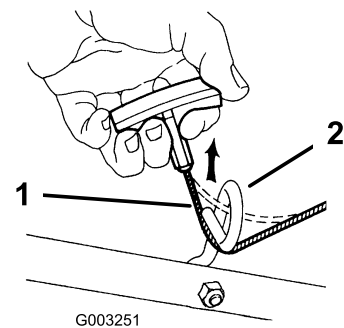


Figure 5

1. Recoil-starter rope
2. Rope guide

3

Filling the Engine with Oil

No Parts Required

Procedure

Important: Your machine does not come with oil in the engine. Before starting the engine, fill the engine with oil.

Engine Oil Specifications

Engine oil capacity	0.55 L (18.6 fl oz)
Oil viscosity	SAE 30 or SAE 10W-30 detergent oil
API service classification	SJ or higher

1. Move the machine to a level surface.
2. Remove the dipstick by rotating the cap counterclockwise and pulling it out (Figure 6).

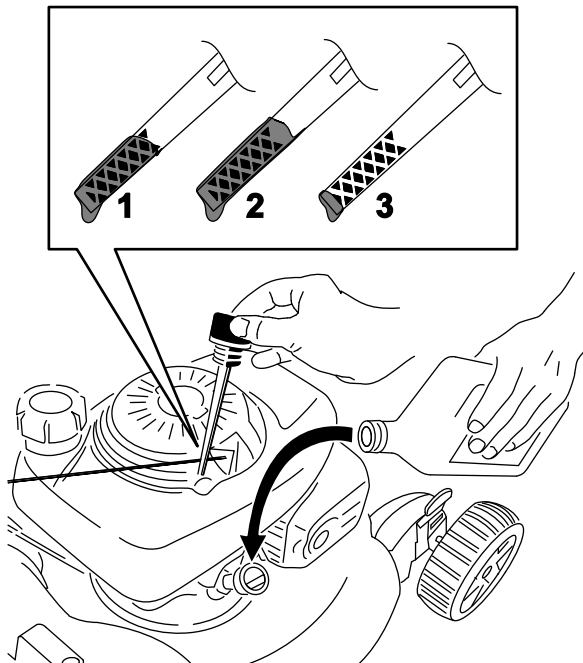


Figure 6

g238622

1. Full
2. High
3. Low

3. Carefully pour about 3/4 of the engine capacity of oil into the oil-fill tube.
4. Wait 3 minutes for the oil to settle in the engine.
5. Wipe the dipstick clean with a clean cloth.
6. Insert the dipstick into the oil-fill tube, but do not screw it in, then remove the dipstick.

7. Read the oil level on the dipstick (Figure 6).
 - If the oil level on the dipstick is too low, carefully pour a small amount of oil into the oil-fill tube, wait 3 minutes, and repeat steps 5 through 7 until the oil on the dipstick is at the correct level.
 - If the oil level on the dipstick is too high, drain the excess oil until the oil on the dipstick is at the correct level; refer to [Changing the Engine Oil](#) (page 16).
- Important:** If the oil level in the engine is too low or too high and you run the engine, you may damage the engine.

8. Install the dipstick into the oil-fill tube securely.

4

Assembling the Grass Bag

No Parts Required

Procedure

1. Slip the grass bag over the frame as shown in Figure 7.

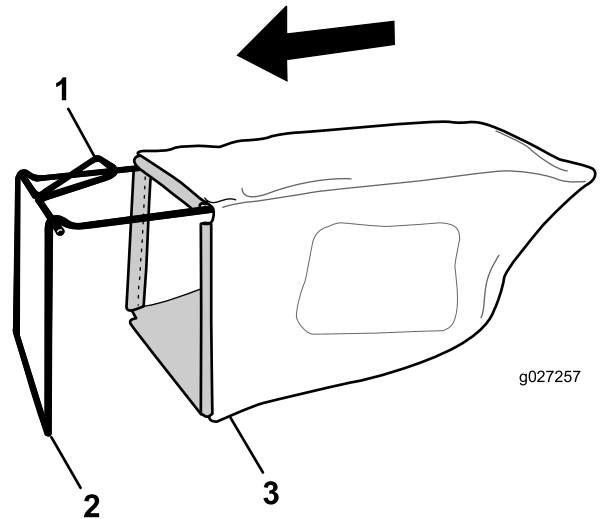


Figure 7

g027257

g027257

1. Handle
2. Frame
3. Grass bag

- Note:** Do not slip the bag over the handle (Figure 7).
2. Hook the bottom channel of the bag onto the bottom of the frame (Figure 8).

Product Overview

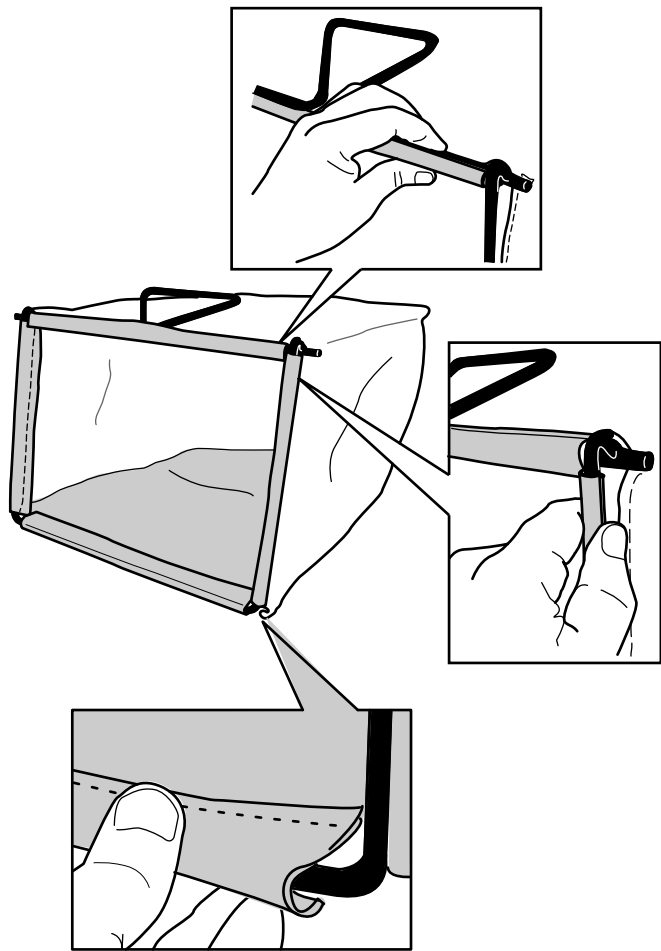


Figure 8

- Hook the top and side channels of the bag onto the top and sides of the frame, respectively (Figure 8).

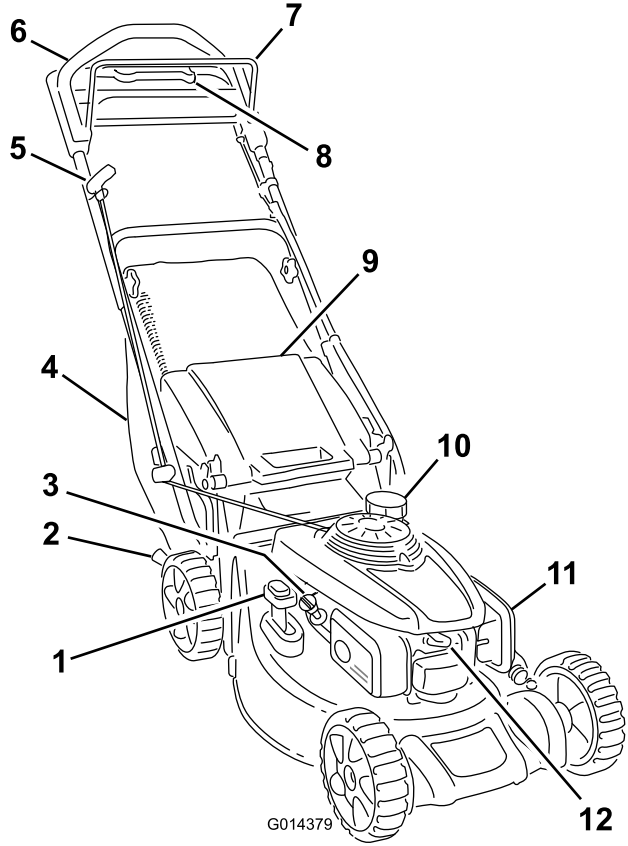


Figure 9

- | | |
|-----------------------------|---------------------------|
| 1. Bag-on-demand lever | 7. Blade-control bar |
| 2. Cutting-height lever (2) | 8. Traction-assist handle |
| 3. Oil-fill tube/dipstick | 9. Rear-deflector door |
| 4. Grass bag | 10. Fuel-tank cap |
| 5. Recoil-start handle | 11. Air filter |
| 6. Upper handle | 12. Spark plug |

Specifications

Model	Weight	Length	Width	Height
20837	38 kg (84 lb)	152 cm (60 inches)	53 cm (21 inches)	109 cm (43 inches)

Operation

Note: Determine the left and right sides of the machine from the normal operating position.

Before Operation

Before Operation Safety

General Safety

- Become familiar with the safe operation of the equipment, operator controls, and safety signs.
- Check that all guards and safety devices, such as deflectors and/or grass catcher, are in place and working properly.
- Always inspect the machine to ensure that the blades, blade bolts, and cutting assembly are not worn or damaged.
- Inspect the area where you will use the machine, and remove all objects that could interfere with the operation of the machine or that the machine could throw.
- Adjusting the cutting height may bring you into contact with the moving blade, causing serious injury.
 - Shut off the engine, remove the ignition key (electric-start model only), and wait for all moving parts to stop.
 - Do not put your fingers under the housing when adjusting the cutting height.

Fuel Safety

- Fuel is extremely flammable and highly explosive. A fire or explosion from fuel can burn you and others and can damage property.
 - To prevent a static charge from igniting the fuel, place the container and/or machine directly on the ground before filling, not in a vehicle or on an object.
 - Fill the fuel tank outdoors, in an open area, when the engine is cold. Wipe up any fuel that spills.
 - Do not handle fuel when smoking or around an open flame or sparks.
 - Do not remove the fuel cap or add fuel to the tank while the engine is running or hot.
 - If you spill fuel, do not attempt to start the engine. Avoid creating a source of ignition until the fuel vapors have dissipated.

- Store fuel in an approved container and keep it out of the reach of children.
- Fuel is harmful or fatal if swallowed. Long-term exposure to vapors can cause serious injury and illness.
 - Avoid prolonged breathing of vapors.
 - Keep your hands and face away from the nozzle and the fuel-tank opening.
 - Keep fuel away from your eyes and skin.

Filling the Fuel Tank

- For best results, use only clean, fresh, unleaded gasoline with an octane rating of 87 or higher ((R+M)/2 rating method).
- Oxygenated fuel with up to 10% ethanol or 15% MTBE by volume is acceptable.
- **Do not** use ethanol blends of gasoline, such as E15 or E85, with more than 10% ethanol by volume. Performance problems and/or engine damage may result, which may not be covered under warranty.
- **Do not** use gasoline containing methanol.
- **Do not** store fuel either in the fuel tank or in fuel containers over the winter unless fuel stabilizer has been added to the fuel.
- **Do not** add oil to gasoline.

Fill the fuel tank with fresh unleaded regular gasoline from a major name-brand service station (Figure 10).

Important: To reduce starting problems, add fuel stabilizer to the gasoline all season. Mix the stabilizer with gasoline less than 30 days old.

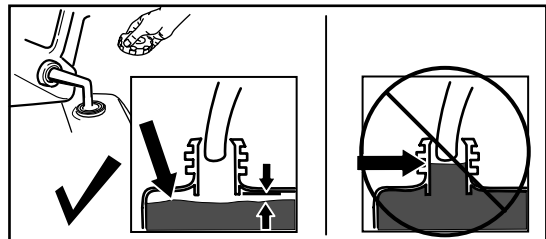


Figure 10

g230458

Checking the Engine-Oil Level

Service Interval: Before each use or daily

1. Move the machine to a level surface.
2. Remove the dipstick by rotating the cap counterclockwise and pulling it out (Figure 11).

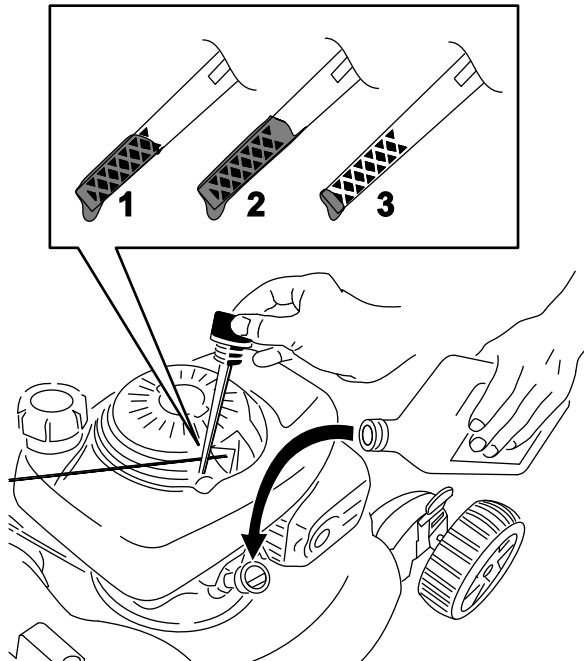


Figure 11

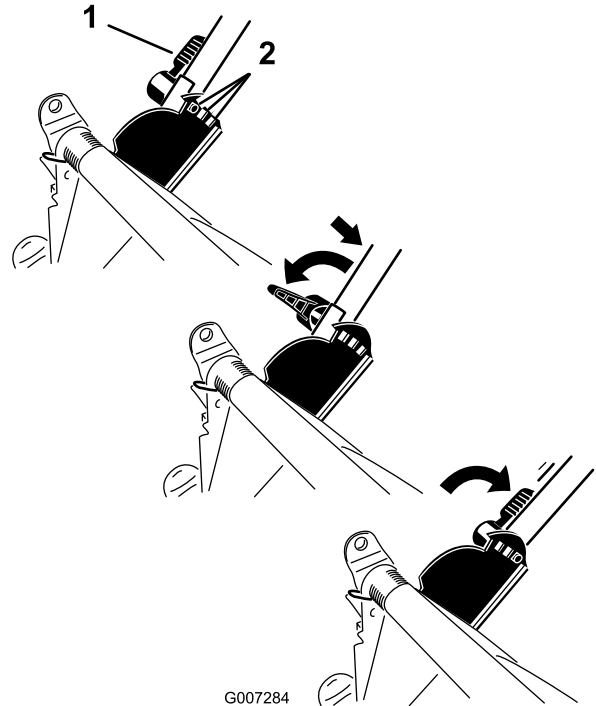
g238622

1. Full
2. High
3. Low

Adjusting the Handle Height

You may raise or lower the handle to a position comfortable for you.

Rotate the handle lock, move the handle to 1 of 3 positions, and lock the handle into position (Figure 12).



G007284

g007284

Figure 12

1. Handle lock
2. Handle positions

3. Wipe the dipstick clean with a clean cloth.
4. Insert the dipstick into the oil-fill tube, but do not screw it in, then remove the dipstick.
5. Read the oil level on the dipstick (Figure 11).
 - If the oil level on the dipstick is too low (Figure 11), carefully pour a small amount of SAE 30 or SAE 10W-30 detergent oil into the oil-fill tube, wait 3 minutes, and repeat steps 3 through 5 until the oil on the dipstick is at the correct level.
 - If the oil level on the dipstick is too high (Figure 11), drain the excess oil until the oil on the dipstick is at the correct level; refer to [Changing the Engine Oil \(page 16\)](#).

Important: If the oil level in the engine is too low or too high and you run the engine, you may damage the engine.

6. Install the dipstick into the oil-fill tube securely.

Adjusting the Cutting Height

Adjust the cutting height as desired. Set all the cutting-height levers to the same height. To raise and lower the machine, refer to [Figure 13](#).

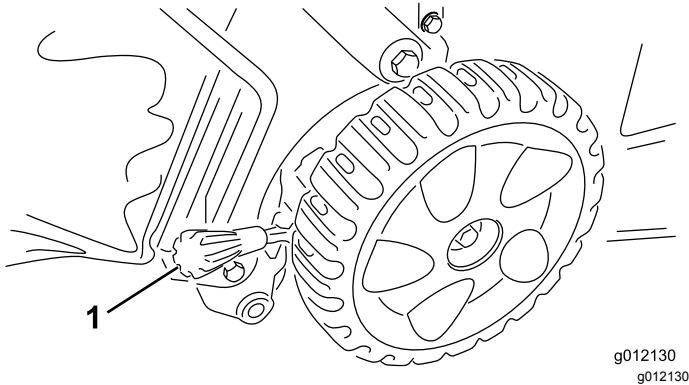


Figure 13

1. Cutting-height lever

Important: The cutting height settings are 25 mm (1 inch); 38 mm (1-1/2 inch); 51 mm (2 inches); 64 mm (2-1/2 inches); 83 mm (3-1/4 inches); 95 mm (3-3/4 inches); 108 mm (4-1/4 inches).

During Operation

During Operation Safety

General Safety

- Wear appropriate clothing, including eye protection; long pants; slip-resistant, substantial footwear; and hearing protection. Tie back long hair, secure loose clothing, and do not wear loose jewelry.
- Do not operate the machine while ill, tired, or under the influence of alcohol or drugs.
- The blade is sharp; contacting the blade can result in serious personal injury. Shut off the engine, remove the ignition key (electric-start model only), and wait for all moving parts to stop before leaving the operating position.
- When you release the blade-control bar, the engine should shut off and the blade should stop within 3 seconds. If not, stop using your machine immediately and contact an Authorized Service Dealer.
- Keep bystanders, especially small children, out of the operating area. Stop the machine if anyone enters the area.
- Always look down and behind you before moving the machine in reverse.
- Operate the machine only in good visibility and appropriate weather conditions. Do not operate the machine when there is the risk of lightning.
- Wet grass or leaves can cause serious injury if you slip and contact the blade. Avoid mowing in wet conditions.
- Use extreme care when approaching blind corners, shrubs, trees, or other objects that may block your view.
- Watch for holes, ruts, bumps, rocks, or other hidden objects. Uneven terrain could cause the machine to overturn or cause you to lose your balance or footing.
- If the machine strikes an object or starts to vibrate, immediately shut off the engine, remove the key (if equipped), wait for all moving parts to stop, and disconnect the wire from the spark plug before examining the machine for damage. Make all necessary repairs before resuming operation.
- Before leaving the operating position, shut off the engine, remove the ignition key (electric-start model only), and wait for all moving parts to stop.
- If the engine has been running the muffler will be hot and can severely burn you. Keep away from the hot muffler.

- Check the grass catcher components and the discharge chute frequently for any wear or deterioration and replace them with the manufacturer's recommended parts when necessary.
- Use accessories and attachments approved by The Toro® Company only.

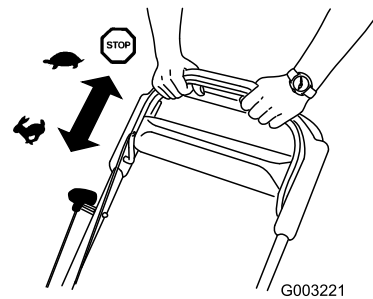


Figure 15

g003221

Slope Safety

- Mow across the face of slopes; never up and down. Use extreme caution when changing direction on slopes.
- Do not mow on excessively steep slopes. Poor footing could cause a slip-and-fall accident.
- Mow with caution near drop-offs, ditches, or embankments.

Starting the Engine

1. Hold the blade-control bar against the handle (A of Figure 14).
2. Pull the recoil-start handle lightly until you feel resistance, then pull it sharply, and allow it to return to the rope guide on the handle slowly (B of Figure 14).

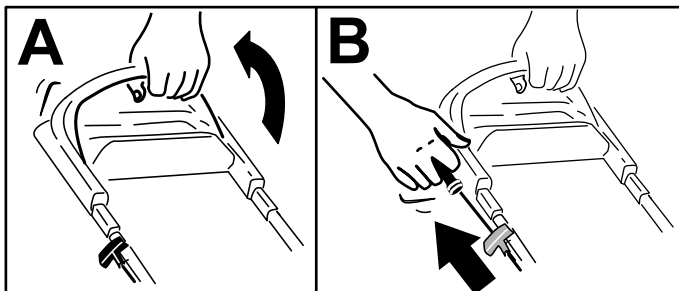


Figure 14

Note: If the machine does not start after several attempts, contact an Authorized Service Dealer.

Using the Self-Propel Drive

To operate the self-propel drive, simply walk with your hands on the upper handle and your elbows at your sides, and the machine will automatically keep pace with you (Figure 15).

Note: If the machine does not freely roll backward after self-propelling, stop walking, hold your hands in place, and allow the machine to roll a couple of centimeters (inches) forward to disengage the wheel drive. You can also try reaching just under the upper handle to the metal handle and pushing the machine forward a couple of centimeters (inches). If the machine still does not roll backward easily, contact an Authorized Service Dealer.

Shutting Off the Engine

Service Interval: Before each use or daily

To shut off the engine, release the blade-control bar.

Important: When you release the blade-control bar, the engine should shut off and the blade should stop within 3 seconds. If they do not, stop using your machine immediately and contact an Authorized Service Dealer.

Recycling the Clippings

Your machine comes from the factory ready to recycle the grass and leaf clippings back into the lawn.

Note: The grass bag may remain on the machine while you are recycling the clippings.

To recycle the clippings, move the bag-on-demand lever to the RECYCLING position (Figure 16).

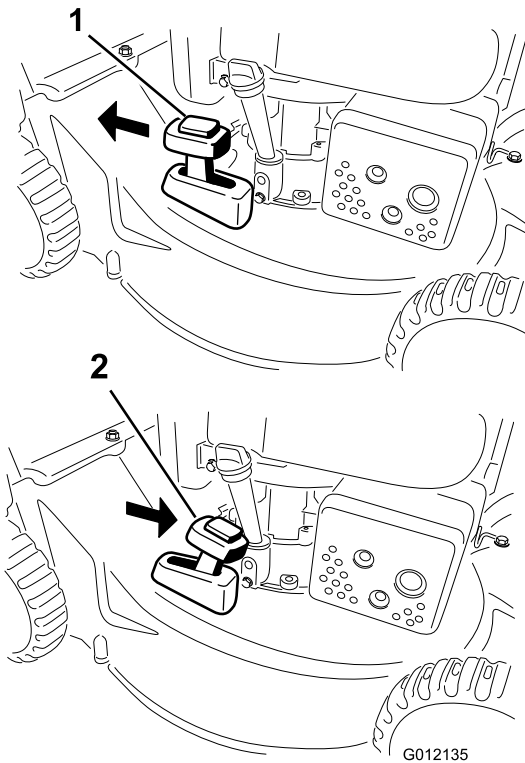


Figure 16

1. RECYCLING position 2. BAGGING position

Bagging the Clippings

Use the grass bag to collect grass and leaf clippings from the lawn.

⚠ WARNING

A worn grass bag could allow small stones and other similar debris to be thrown toward you or bystanders, resulting in serious personal injury or death.

Check the grass bag frequently. If it is damaged, install a new Toro replacement bag.

⚠ WARNING

The blade is sharp; contacting the blade can result in serious personal injury.

Shut off the engine and wait for all moving parts to stop before leaving the operating position.

1. Shut off the engine and wait for all moving parts to stop.
2. Install the grass bag; refer to [Installing the Grass Bag \(page 11\)](#) and move the bag-on-demand lever to the BAGGING position as shown in [Figure 16](#).

Installing the Grass Bag

1. Shut off the engine and wait for all moving parts to stop.
2. Raise and hold up the rear deflector, install the bag in the notches, and lower the rear deflector ([Figure 17](#)).

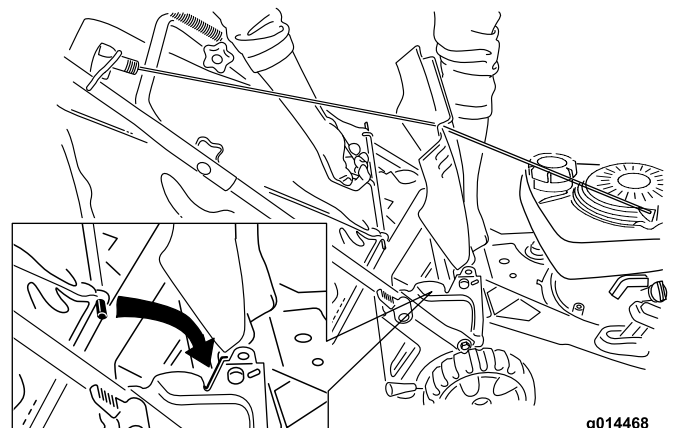


Figure 17

Removing the Grass Bag

1. Shut off the engine and wait for all moving parts to stop.
2. Lift up the grass bag up and away from the handle.

Note: Tilt the grass bag slightly backward to prevent the collected grass clippings from falling out.

Rear-Discharging the Clippings

Use the rear discharge for cutting very tall grass.

Note: If the grass bag is on the machine, remove it before rear-discharging the clippings; refer to [Removing the Grass Bag \(page 12\)](#). The bag-on-demand lever should be in the BAGGING position as shown in [Figure 16](#).

▲ WARNING

The blade is sharp; contacting the blade can result in serious personal injury.

Shut off the engine and wait for all moving parts to stop before leaving the operating position.

Operating Tips

General Mowing Tips

- Inspect the area where you will use the machine and remove all objects that the machine could throw.
- Avoid striking solid objects with the blade. Never deliberately mow over any object.
- If the machine strikes an object or starts to vibrate, immediately shut off the engine, remove the key (if equipped), disconnect the wire from the spark plug, and examine the machine for damage.
- For best performance, install a new blade before the cutting season begins.
- Replace the blade when necessary with a Toro replacement blade.

Cutting Grass

- Cut only about a third of the grass blade at a time. Do not cut below 51 mm (2 inches) unless the grass is sparse or it is late fall when grass growth begins to slow down.
- When cutting grass over 15 cm (6 inches) tall, mow at the highest cutting height setting and walk slower; then mow again at a lower setting for the best lawn appearance. If the grass is too long, the machine may plug and cause the engine to stall.
- Wet grass and leaves tend to clump on the yard and can cause the machine to plug or the engine to stall. Avoid mowing in wet conditions.
- Be aware of a potential fire hazard in very dry conditions, follow all local fire warnings, and keep the machine free of dry grass and leaf debris.
- Alternate the mowing direction. This helps disperse the clippings over the lawn for even fertilization.
- If the finished lawn appearance is unsatisfactory, try 1 or more of the following:
 - Replace the blade or have it sharpened.
 - Walk at a slower pace while mowing.
 - Raise the cutting height on your machine.
 - Cut the grass more frequently.
 - Overlap cutting swaths instead of cutting a full swath with each pass.

Cutting Leaves

- After cutting the lawn, ensure that half of the lawn shows through the cut leaf cover. You may need to make more than a single pass over the leaves.

- If there are more than 13 cm (5 inches) of leaves on the lawn, mow at a higher cutting height and then again at the desired cutting height.
- Slow down your mowing speed if the machine does not cut the leaves finely enough.

After Operation

After Operation Safety

General Safety

- Clean grass and debris from the machine to help prevent fires. Clean up oil or fuel spills.
- Allow the engine to cool before storing the machine in any enclosure.
- Never store the machine or fuel container where there is an open flame, spark, or pilot light, such as on a water heater or on other appliances.

Hauling Safety

- Remove the ignition key (if equipped) before loading the machine for hauling.
- Use care when loading or unloading the machine.
- Secure the machine from rolling.

Cleaning under the Machine

Service Interval: Before each use or daily

For best results, clean the machine soon after you have completed mowing.

1. Lower the machine to the lowest cutting-height setting. Refer to [Adjusting the Cutting Height \(page 9\)](#).
2. Move the machine onto a level surface.
3. Attach a garden hose that is connected to a water supply to the washout port ([Figure 18](#)).

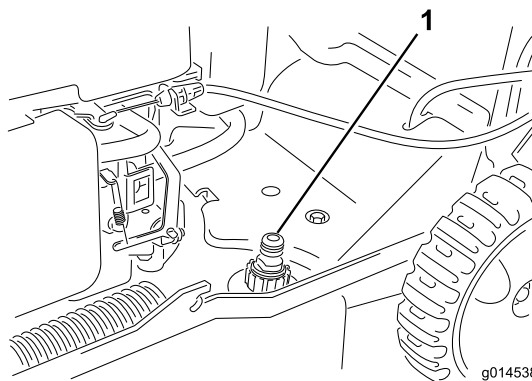


Figure 18

1. Washout port
-
4. Turn the water on.
 5. Start the engine and run it until there are no more clippings that come out from under the machine.
 6. Shut off the engine.

7. Shut off the water and disconnect the garden hose from the machine.
8. Start the engine and run it for a few minutes to dry the underside of the machine.
9. Shut off the engine and allow it to cool.

Folding the Handle

⚠ WARNING

Folding or unfolding the handle improperly can damage the cables, causing an unsafe operating condition.

- Do not damage the cables when folding or unfolding the handle.
- If a cable is damaged, contact an Authorized Service Dealer.

1. Loosen the handle knobs.
2. Rotate the entire handle forward (Figure 19).

Important: Route the cables to the outside of the handle knobs as you fold the upper handle.

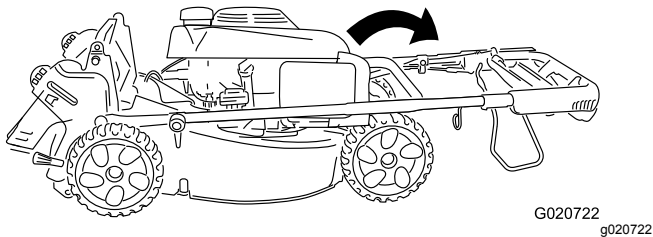


Figure 19

3. Rotate the upper portion of the handle back toward the engine; refer to Figure 20.

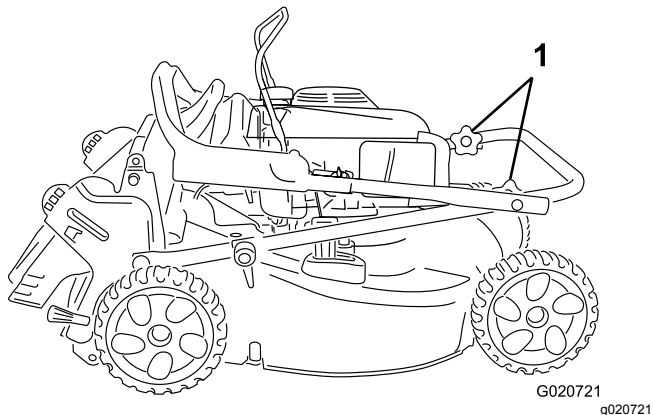


Figure 20

1. Handle knobs

Maintenance

Recommended Maintenance Schedule(s)

Maintenance Service Interval	Maintenance Procedure
After the first 5 hours	<ul style="list-style-type: none">• Change the engine oil.
Before each use or daily	<ul style="list-style-type: none">• Check the engine-oil level.• Ensure that the engine shuts off within 3 seconds after releasing the blade-control bar.• Clean grass clippings and dirt from under the machine.
Every 100 hours	<ul style="list-style-type: none">• Service the spark plug.
Yearly	<ul style="list-style-type: none">• Service the air filter.• Change the engine oil.• Replace the blade or have it sharpened (more frequently if the edge dulls quickly).• Clean the engine by removing dirt and debris from its top and sides; clean it more frequently in dusty operating conditions.
Yearly or before storage	<ul style="list-style-type: none">• Empty the fuel tank before repairs as directed and before yearly storage.

Important: Refer to your engine owner's manual for additional maintenance procedures.

Maintenance Safety

- Disconnect the spark-plug wire from the spark plug before performing any maintenance procedure.
- Wear gloves and eye protection when servicing the machine.
- The blade is sharp; contacting the blade can result in serious personal injury. Wear gloves when servicing the blade. Do not repair or alter the blade(s).
- Never tamper with safety devices. Check their proper operation regularly.
- Tipping the machine may cause the fuel to leak. Fuel is flammable and explosive, and can cause personal injury. Run the engine dry or remove the fuel with a hand pump; never siphon the fuel.
- To ensure optimum performance and continued safety certification of the machine, use only genuine Toro replacement parts and accessories. Replacement parts and accessories made by other manufacturers could be dangerous, and such use could void the product warranty.

Preparing for Maintenance

1. Shut off the engine and wait for all moving parts to stop.
2. Disconnect the spark-plug wire from the spark plug (Figure 21).

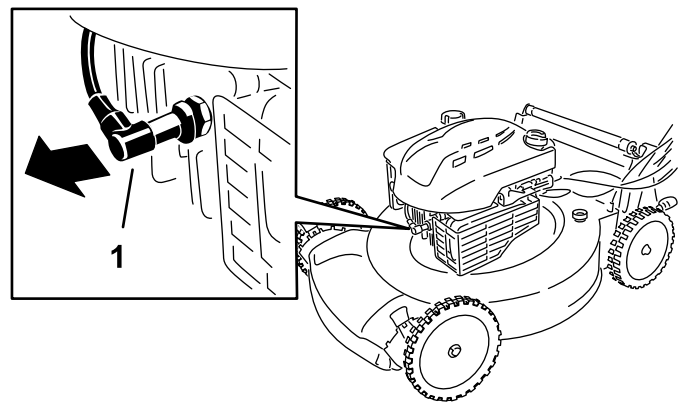


Figure 21

g238653

1. Spark-plug wire
3. After performing the maintenance procedure(s), connect the spark-plug wire to the spark plug.

Important: Before tipping the machine to change the oil or replace the blade, allow the fuel tank to run dry through normal usage. If you must tip the machine prior to running out of fuel, use a hand fuel pump to remove the fuel. Always tip the machine onto its side, with the dipstick down.

Servicing the Air Filter

Service Interval: Yearly

1. Press down on the latch tabs on top of the air-filter cover (Figure 22).

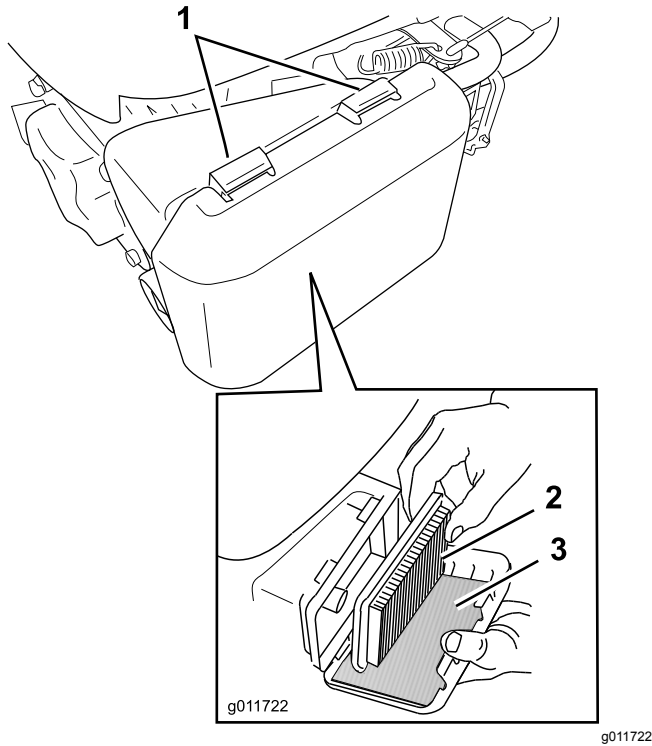


Figure 22

1. Latch tabs
 2. Paper air filter
 3. Foam pre-filter
-
2. Open the cover.
 3. Remove the paper air filter and the foam pre-filter (Figure 22).
 4. Inspect the foam pre-filter, and replace it if it is damaged or excessively dirty.
 5. Inspect the paper air filter.
 - If the air filter is damaged or is wet with oil or fuel, replace it.
 - If the air filter is dirty, tap it on a hard surface several times or blow compressed air less than 207 kPa (30 psi) through the side of the filter that faces the engine.
- Note:** Do not brush the dirt off the filter; brushing forces dirt into the fibers.
6. Remove the dirt from the air-filter body and the cover using a moist rag.
- Important:** Do not wipe dirt into the air duct.
7. Install the foam pre-filter and the paper air filter into the air filter.
 8. Install the cover.

Changing the Engine Oil

Service Interval: After the first 5 hours

Yearly

Note: Run the engine a few minutes before changing the oil to warm it. Warm oil flows better and carries more contaminants.

Engine Oil Specifications

Engine oil capacity	0.55 L (18.6 fl oz)
Oil viscosity	SAE 30 or SAE 10W-30 detergent oil
API service classification	SJ or higher

1. Move the machine to a level surface.
2. Refer to [Preparing for Maintenance \(page 15\)](#).
3. Remove the dipstick by rotating the cap counterclockwise and pulling it out (Figure 23).

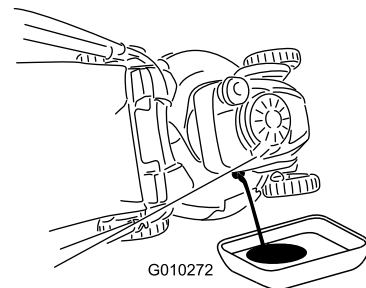


Figure 23

4. Tip the machine onto its side (so that the air filter is up) to drain the used oil from the oil-fill tube (Figure 23).

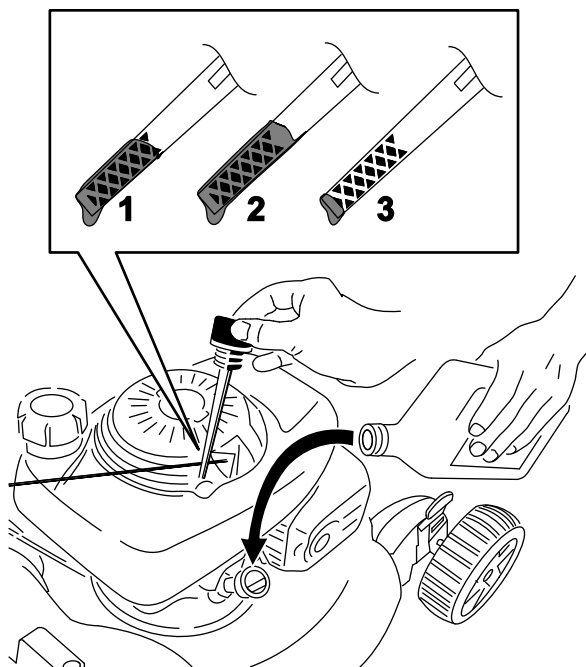


Figure 24

g238622

1. Full
2. High
3. Low

5. After draining the used oil, return the machine to the operating position.
6. Carefully pour about 3/4 of the engine capacity of oil into the oil-fill tube.
7. Wait 3 minutes for the oil to settle in the engine.
8. Wipe the dipstick clean with a clean cloth.
9. Insert the dipstick into the oil-fill tube, **but do not screw it in**, then remove the dipstick.
10. Read the oil level on the dipstick ([Checking the Engine-Oil Level \(page 8\)](#)).
 - If the oil level on the dipstick is too low, carefully pour a small amount of oil into the oil-fill tube, wait 3 minutes, and repeat steps [8](#) through [10](#) until the oil level on the dipstick is correct.
 - If the oil level on the dipstick is too high, drain the excess oil until the oil level on the dipstick is correct.

Important: If the oil level in the engine is too low or too high and you run the engine, you may damage the engine.

11. Install the dipstick into the oil-fill tube securely.
12. Recycle the used oil properly.

Servicing the Spark Plug

Service Interval: Every 100 hours

Use a **Champion RN9YC** spark plug or equivalent.

1. Shut off the engine and wait for all moving parts to stop.
2. Disconnect the wire from the spark plug ([Figure 21](#)).
3. Clean around the spark plug.
4. Remove the spark plug from the cylinder head.

Important: Replace a cracked, fouled, or dirty spark plug. Do not clean the electrodes because grit entering the cylinder can damage the engine.

5. Set the gap on the plug to 0.76 mm (0.030 inch) as shown in [Figure 25](#).

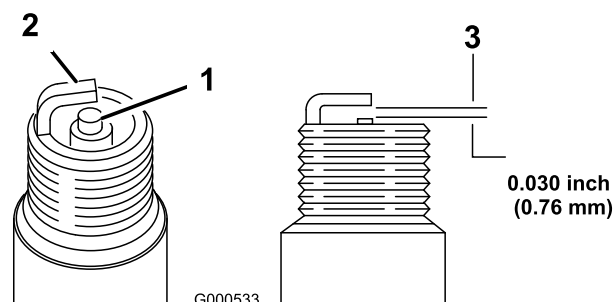


Figure 25

G000533

g000533

1. Center electrode insulator
2. Side electrode
3. Air gap (not to scale)

6. Install the spark plug.
7. Torque the plug to 20 N·m (15 ft-lb).
8. Connect the wire to the spark plug.

Replacing the Blade

Service Interval: Yearly

Important: You will need a torque wrench to install the blade properly. If you do not have a torque wrench or are uncomfortable performing this procedure, contact an Authorized Service Dealer.

Examine the blade whenever you run out of fuel. If the blade is damaged or cracked, replace it immediately. If the blade edge is dull or nicked, have it sharpened and balanced, or replace it.

⚠ WARNING

The blade is sharp; contacting the blade can result in serious personal injury.

Wear gloves when servicing the blade.

1. Refer to [Preparing for Maintenance \(page 15\)](#).
2. Tip the machine onto its side with the air filter up.
3. Use a block of wood to hold the blade steady ([Figure 26](#)).

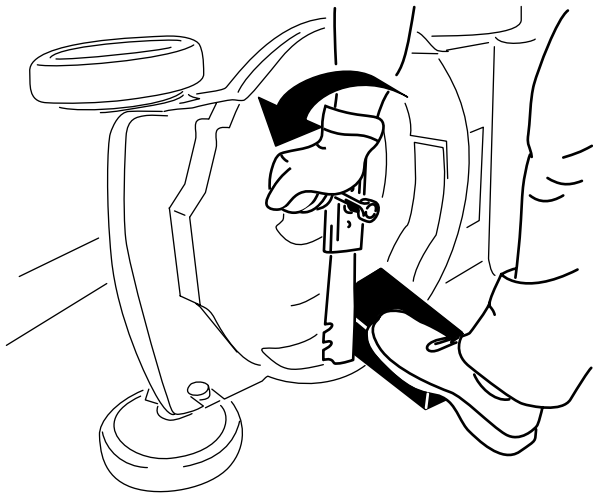


Figure 26

g231389

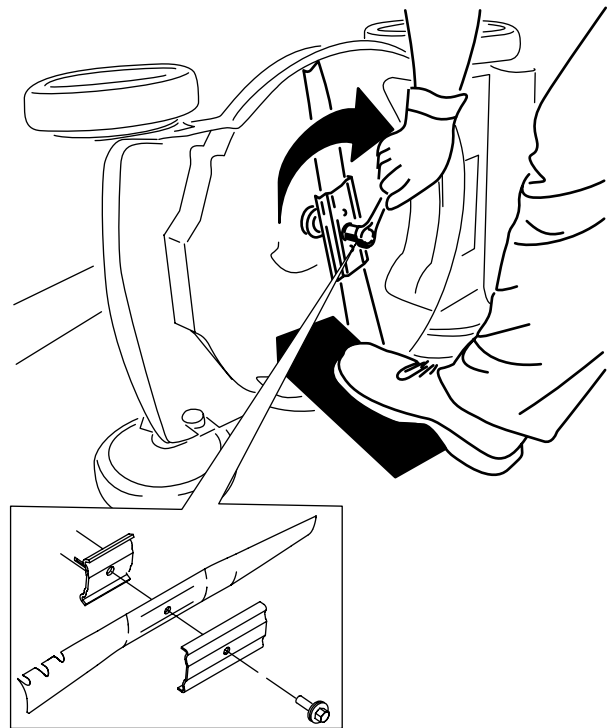


Figure 27

g231390

Important: Position the curved ends of the blade to point toward the machine housing.

6. Use a torque wrench to tighten the blade bolt to 82 N·m (60 ft-lb).

Important: A bolt torqued to 82 N·m (60 ft-lb) is very tight. While holding the blade with a block of wood, put your weight behind the ratchet or wrench and tighten the bolt securely. This bolt is very difficult to overtighten.

4. Remove the blade, saving all mounting hardware ([Figure 26](#)).
5. Install the new blade and all mounting hardware ([Figure 27](#)).

Storage

Store the machine in a cool, clean, dry place.

Preparing the Machine for Storage

1. On the last refueling of the year, add fuel stabilizer (such as Toro Premium Fuel Treatment) to the fuel as directed on the label.
2. Dispose of any unused fuel properly. Recycle it according to local codes or use it in your automobile.

Note: Old fuel in the fuel tank is the leading cause of hard starting. Do not store fuel without fuel stabilizer more than 30 days, and do not store stabilized fuel more than 90 days.

3. Run the machine until the engine shuts off from running out of fuel.
4. Start the engine again and allow it to run until it shuts off. When you can no longer start the engine, it is sufficiently dry.
5. Disconnect the wire from the spark plug and connect the wire to the retaining post (if equipped).
6. Remove the spark plug, add 30 ml (1 fl oz) of engine oil through the spark-plug hole, and pull the starter rope slowly several times to distribute oil throughout the cylinder to prevent cylinder corrosion during the off-season.
7. Loosely install the spark plug.
8. Tighten all nuts, bolts, and screws.

Removing the Machine from Storage

1. Check and tighten all fasteners.
2. Remove the spark plug and spin the engine rapidly by pulling the recoil-start handle to blow the excess oil from the cylinder.
3. Install the spark plug and tighten it with a torque wrench to 20 N·m (15 ft-lb).
4. Perform any maintenance procedures; refer to [Maintenance \(page 15\)](#).
5. Check the engine-oil level; refer to [Checking the Engine-Oil Level \(page 8\)](#).
6. Fill the fuel tank with fresh fuel; refer to [Filling the Fuel Tank \(page 7\)](#).
7. Connect the wire to the spark plug.

European Privacy Notice

The Information Toro Collects

Toro Warranty Company (Toro) respects your privacy. In order to process your warranty claim and contact you in the event of a product recall, we ask you to share certain personal information with us, either directly or through your local Toro company or dealer.

The Toro warranty system is hosted on servers located within the United States where privacy law may not provide the same protection as applies in your country.

BY SHARING YOUR PERSONAL INFORMATION WITH US, YOU ARE CONSENTING TO THE PROCESSING OF YOUR PERSONAL INFORMATION AS DESCRIBED IN THIS PRIVACY NOTICE.

The Way Toro Uses Information

Toro may use your personal information to process warranty claims, to contact you in the event of a product recall and for any other purpose which we tell you about. Toro may share your information with Toro's affiliates, dealers or other business partners in connection with any of these activities. We will not sell your personal information to any other company. We reserve the right to disclose personal information in order to comply with applicable laws and with requests by the appropriate authorities, to operate our systems properly or for our own protection or that of other users.

Retention of your Personal Information

We will keep your personal information as long as we need it for the purposes for which it was originally collected or for other legitimate purposes (such as regulatory compliance), or as required by applicable law.

Toro's Commitment to Security of Your Personal Information

We take reasonable precautions in order to protect the security of your personal information. We also take steps to maintain the accuracy and current status of personal information.

Access and Correction of your Personal Information

If you would like to review or correct your personal information, please contact us by email at legal@toro.com.

Australian Consumer Law

Australian customers will find details relating to the Australian Consumer Law either inside the box or at your local Toro Dealer.



48 cm Super Recycler® Rasenmäher

Modellnr. 20837—Seriennr. 401500000 und höher

Bedienungsanleitung

Einführung

Dieser handgeführte Rasenmäher mit Sichelmessern sollte von Privatleuten oder geschulten Lohnarbeitern verwendet werden. Er ist hauptsächlich für das Mähen von Gras auf gepflegten Grünflächen in Privatanlagen gedacht. Er ist nicht für das Schneiden von Büschen oder für einen landwirtschaftlichen Einsatz gedacht.

Lesen Sie diese Informationen sorgfältig durch, um sich mit dem ordnungsgemäßen Einsatz und der Wartung des Geräts vertraut zu machen und Verletzungen und eine Beschädigung des Geräts zu vermeiden. Sie tragen die Verantwortung für einen ordnungsgemäßen und sicheren Einsatz des Geräts.

Wenden Sie sich hinsichtlich Informationen zu Produkten und Zubehör sowie Angaben zu Ihrem örtlichen Vertragshändler oder zur Registrierung des Produktes direkt an Toro unter www.Toro.com.

Wenden Sie sich an den Toro-Vertragshändler oder Kundendienst, wenn Sie eine Serviceleistung, Originalersatzteile von Toro oder weitere Informationen benötigen. Haben Sie dafür die Modell- und Seriennummern der Maschine griffbereit. In **Bild 1** wird der Standort der Modell- und Seriennummern auf dem Produkt angegeben. Tragen Sie hier die Modell- und Seriennummern des Geräts ein.

Wichtig: Scannen Sie mit Ihrem Mobilgerät den QR-Code auf dem Seriennummernaufkleber (falls vorhanden), um auf Garantie-, Ersatzteil- oder andere Produktinformationen zuzugreifen.

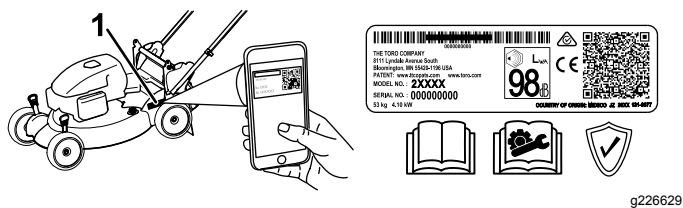


Bild 1

1. Typenschild mit Modell- und Seriennummer

Modellnr. _____
Seriennr. _____

In dieser Anleitung werden potenzielle Gefahren angeführt, und Sicherheitsmeldungen werden vom Sicherheitswarnsymbol (**Bild 2**) gekennzeichnet, das auf eine Gefahr hinweist, die zu schweren oder tödlichen Verletzungen führen kann, wenn Sie die empfohlenen Sicherheitsvorkehrungen nicht einhalten.



Bild 2

Sicherheitswarnsymbol

g000502

In dieser Anleitung werden zwei Begriffe zur Hervorhebung von Informationen verwendet. **Wichtig** weist auf spezielle mechanische Informationen hin, und **Hinweis** hebt allgemeine Informationen hervor, die Ihre besondere Beachtung verdienen.

Dieses Produkt erfüllt alle relevanten europäischen Richtlinien; weitere Details finden Sie in der produktspezifischen Konformitätserklärung (DOC).

Brutto- oder Nettodrehmoment: Das Brutto- oder Nettodrehmoment dieses Motors wurde vom Motorhersteller im Labor gemäß SAE J1940 oder J2723 ermittelt. Aufgrund der Konfiguration zur Erfüllung von Sicherheits-, Emissions- und Betriebsanforderungen ist die tatsächliche Motorleistung in dieser Klasse der Rasenmäher wesentlich niedriger. Weitere Informationen finden Sie in der Motorbedienungsanleitung des Herstellers, die mit der Maschine ausgeliefert wurde.

Manipulieren oder deaktivieren Sie keine Sicherheitsvorrichtungen an der Maschine und prüfen Sie die einwandfreie Funktion in regelmäßigen Abständen. Modifizieren oder manipulieren Sie nicht die Bedienelemente für die Motordrehzahl, da dies zu unsicheren Einsatzbedingungen und Verletzungen führen kann.

Inhalt

Einführung 1
 Sicherheit 2
 Allgemeine Sicherheit..... 2



Sicherheit

Diese Maschine erfüllt EN ISO 5395:2013.

Allgemeine Sicherheit

Dieses Produkt kann Hände und Füße amputieren und Gegenstände aufschleudern. Befolgen immer sämtliche Sicherheitshinweise, um schwere oder tödliche Verletzungen zu vermeiden.

Wenn dieses Produkt für einen anderen Zweck eingesetzt wird, kann das für Bediener und andere Personen gefährlich sein.

- Lesen, verstehen und befolgen Sie vor dem Anlassen des Motors alle Anweisungen und Warnungen in der *Bedienungsanleitung* und an der Maschine.
- Berühren Sie bewegliche Teile oder die Unterseite der Maschine nicht mit den Händen oder Füßen. Kommen Sie Auswurföffnungen nicht zu nahe.
- Setzen Sie die Maschine nur ein, wenn alle Schutzvorrichtungen und andere Sicherheitsvorrichtungen montiert und funktionsfähig sind.
- Halten Sie Unbeteiligte und Kinder in einem sicheren Abstand zur Maschine. Das Fahrzeug darf niemals von Kindern betrieben werden. Nur verantwortungsbewusste Personen, die geschult und mit den Anweisungen vertraut sind und körperlich fähig sind, sollten die Maschine verwenden.
- Halten Sie die Maschine an, stellen Sie den Motor ab und warten Sie, bis alle beweglichen Teile zum Stillstand gekommen sind, bevor Sie Wartungsarbeiten durchführen, Auftanken oder Verstopfungen entfernen.

Der unsachgemäße Einsatz oder die falsche Wartung dieser Maschine kann zu Verletzungen führen. Durch das Befolgen dieser Sicherheitshinweise kann das Verletzungsrisiko verringert werden. Achten Sie immer auf das Warnsymbol. Es bedeutet Vorsicht, Warnung oder Gefahr – Hinweise für die Personensicherheit. Wenn Sie diese Anweisungen nicht einhalten, kann es zu Verletzungen ggf. tödlichen Verletzungen kommen.

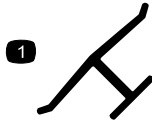
Sie finden weitere Sicherheitsinformationen bei Bedarf in dieser Bedienungsanleitung.

Sicherheits- und Bedienungsschilder	3
Einrichtung	4
1 Aufklappen des Holms	4
2 Befestigen des Rücklaufstarterseils in der Seilführung.....	4
3 Auffüllen des Motors mit Öl	4
4 Montieren des Fangkorbs	5
Produktübersicht	6
Technische Daten	6
Betrieb	7
Vor dem Einsatz	7
Vor der sicheren Verwendung	7
Betanken	7
Prüfen des Motorölstands.....	8
Einstellen der Holmhöhe.....	8
Einstellen der Schnitthöhe	9
Während des Einsatzes	9
Hinweise zur Sicherheit während des Betriebs.....	9
Anlassen des Motors	10
Verwenden des Selbstantriebs	10
Abstellen des Motors	11
Schnittgutrecyclen	11
Sammeln des Schnittguts	11
Heckauswurf des Schnittguts	12
Betriebshinweise	12
Nach dem Einsatz	13
Hinweise zur Sicherheit nach dem Betrieb	13
Reinigen unter dem Gerät.....	13
Zusammenklappen des Holms	14
Wartung	15
Empfohlener Wartungsplan	15
Wartungssicherheit.....	15
Vorbereiten für die Wartung	15
Warten des Luftfilters	16
Wechseln des Motoröls	16
Warten der Zündkerze	17
Auswechseln des Messers	18
Einlagerung	19
Vorbereiten der Maschine für die Einlagerung.....	19
Herausnehmen des Rasenmähers aus der Einlagerung.....	19

Sicherheits- und Bedienungsschilder



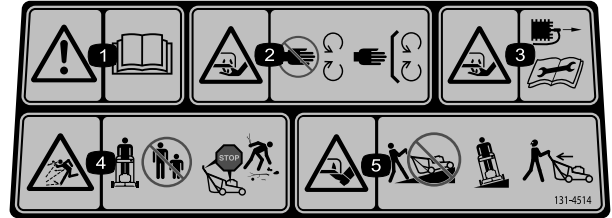
Die Sicherheits- und Bedienungsaufkleber sind gut sichtbar; sie befinden sich in der Nähe der möglichen Gefahrenbereiche. Tauschen Sie beschädigte oder verloren gegangene Aufkleber aus.



Herstellermarke

decaloemmark

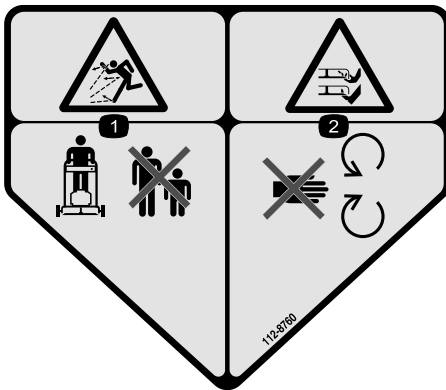
1. Diese Marke gibt an, dass das Messer ein Teil des Herstellers der Originalmaschine ist.



decal131-4514b

131-4514

1. Warnung: Lesen Sie die *Bedienungsanleitung*.
2. Schnitt- bzw. Amputationsgefahr für Hände am Mähwerkmesser: Berühren Sie keine beweglichen Teile und nehmen Sie keine Schutzbleche und Schutzvorrichtungen ab.
3. Schnitt- bzw. Amputationsgefahr an den Händen beim Schnittmesser: Ziehen Sie den Zündkerzenstecker ab und lesen Sie die Anweisungen, bevor Sie Wartungs- oder Reparaturarbeiten ausführen.
4. Gefahr durch herausgeschleuderte Gegenstände: Stellen Sie sicher, dass Unbeteiligte immer einen Sicherheitsabstand zur Maschine einhalten; stellen Sie den Motor ab, bevor Sie die Bedienerposition verlassen und sammeln Sie Rückstände vor dem Einsatz der Maschine auf.
5. Schnitt- bzw. Amputationsgefahr von Händen am Mähwerkmesser: Mähen Sie nie hangaufwärts oder -abwärts, mähen Sie immer waagrecht zum Hang. Schauen Sie nach hinten, wenn Sie rückwärtsfahren.



decal112-8760

112-8760

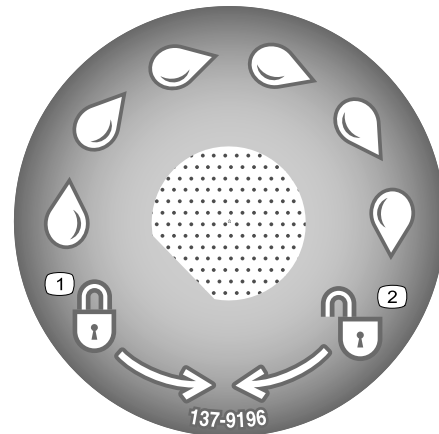
1. Gefahr durch herausgeschleuderte Gegenstände: Achten Sie darauf, dass Unbeteiligte den Sicherheitsabstand zur Maschine einhalten.
2. Gefahr einer Schnittwunde und/oder der Amputation von Händen oder Füßen: Berühren Sie keine beweglichen Teile.



decal119-2283

119-2283

1. Schnitthöhe



decal137-9196

137-9196

1. Einrasten
2. Ausrasten

Einrichtung

Wichtig: Nehmen Sie den Kunststoffschutz ab und alle anderen Kunststoffteile oder Verpackungen ab, mit denen der Motor abgedeckt ist. Werfen Sie sie ab.

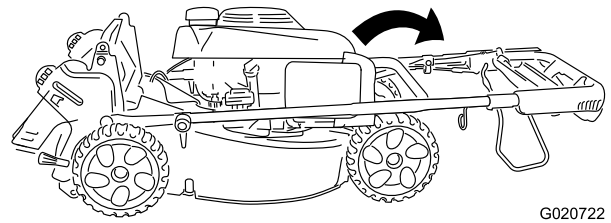


Bild 4

1

Aufklappen des Holms

Keine Teile werden benötigt

Verfahren

⚠️ WARNUNG:

Wenn Sie den Holm falsch auf- oder zusammenklappen, können Sie die Bowdenzüge beschädigen und den sicheren Geräteinsatz gefährden.

- Beschädigen Sie beim Auf- oder Zusammenklappen des Holms nicht die Kabel.
- Wenden Sie sich bei einem beschädigten Kabel an einen offiziellen Vertragshändler.

1. Lösen Sie die Griffhandräder (Bild 3).

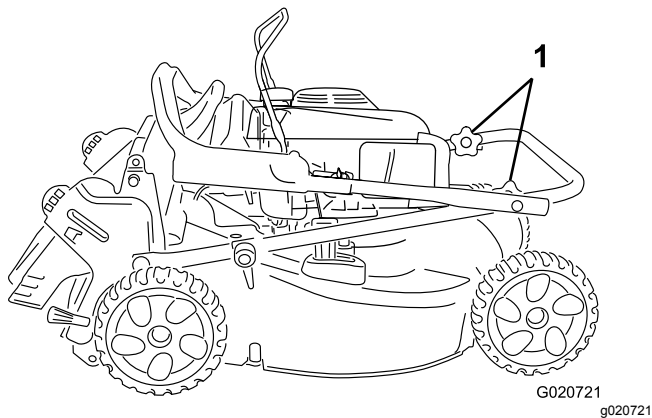


Bild 3

1. Griffhandräder

2. Schieben Sie den oberen Griff vorsichtig nach vorne, bis die Griffhälften ausgerichtet sind und eng anliegen, siehe Bild 4.

2

Befestigen des Rücklaufstarterseils in der Seilführung

Keine Teile werden benötigt

Verfahren

Wichtig: Befestigen Sie das Rücklaufstarterseil in der Seilführung, um den Motor sicher und mühelos anzulassen.

Drücken Sie den Schaltbügel zum oberen Holm und ziehen Sie das Rücklaufstarterseil durch die Seilführung am Holm (Bild 5).

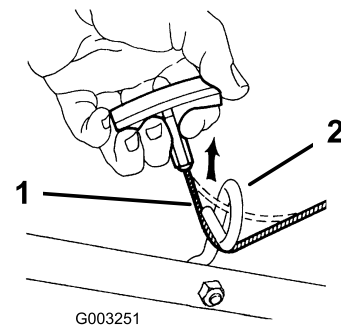


Bild 5

1. Rücklaufstarterseil
2. Seilführung

3

Auffüllen des Motors mit Öl

Keine Teile werden benötigt

Verfahren

Wichtig: Die Maschine hat bei der Auslieferung kein Öl im Motor. Füllen Sie den Motor mit Öl, bevor Sie ihn anlassen.

Motorölsorte

Motorölmenge	0,55 l
Ölviskosität	Waschaktives Öl der Sorte SAE 30 oder SAE 10W-30
API-Klassifikation	SJ oder höher

1. Stellen Sie die Maschine auf einer ebenen Fläche ab.
2. Entfernen Sie den Peilstab, indem Sie den Deckel nach links drehen und herausziehen (Bild 6).

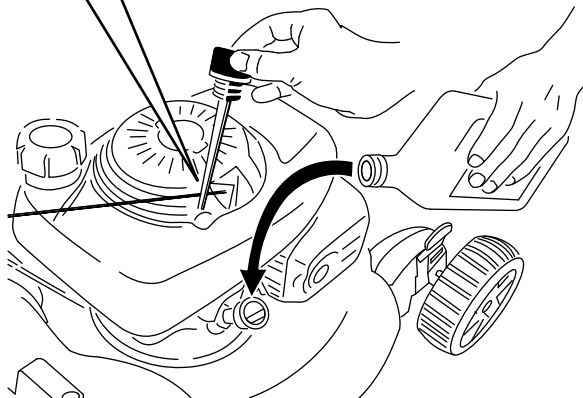
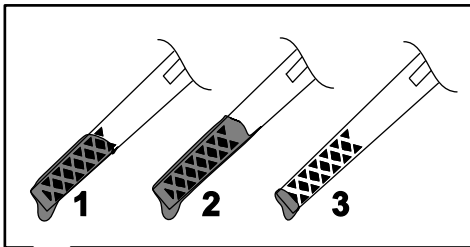


Bild 6

g238622

1. Voll
2. Hoch
3. Niedrig

3. Gießen Sie ca. $\frac{3}{4}$ der Motorölfüllmenge langsam in den Öleinfüllstutzen.
4. Warten Sie drei Minuten, damit sich das Öl im Motor setzen kann.

5. Wischen Sie den Peilstab mit einem sauberen Lappen ab.
6. Stecken Sie den Peilstab in den Öleinfüllstutzen, schrauben Sie ihn jedoch nicht ein; nehmen Sie den Peilstab dann heraus.
7. Lesen Sie den Ölstand am Peilstab ab. (Bild 6)
 - Wenn der Ölstand am Peilstab zu niedrig ist, füllen Sie langsam etwas Öl in den Öleinfüllstutzen, warten Sie drei Minuten und wiederholen Sie dann die Schritte 5 bis 7, bis der Ölstand am Peilstab richtig ist.
 - Wenn der Ölstand am Peilstab zu hoch ist, lassen Sie Öl ab, bis der Ölstand am Peilstab richtig ist, siehe [Wechseln des Motoröls \(Seite 16\)](#).

Wichtig: Wenn der Ölstand im Motor zu hoch oder zu niedrig ist und Sie den Motor laufen lassen, können Motorschäden auftreten.

8. Stecken Sie den Peilstab fest in den Öleinfüllstutzen.

4

Montieren des Fangkorbs

Keine Teile werden benötigt

Verfahren

1. Schieben Sie den Fangkorb auf den Rahmen, wie in Bild 7 abgebildet.

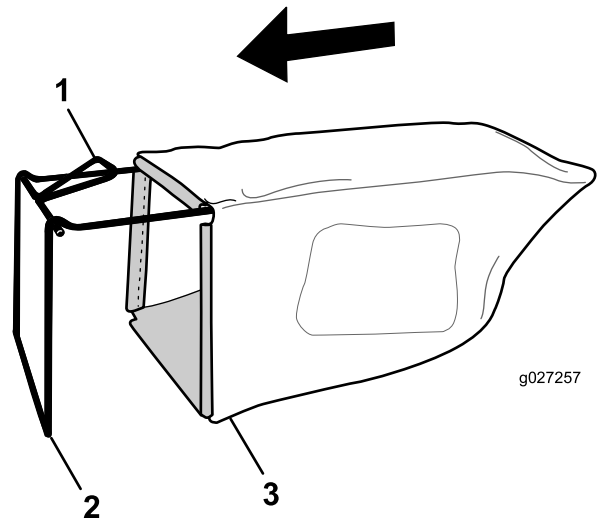


Bild 7

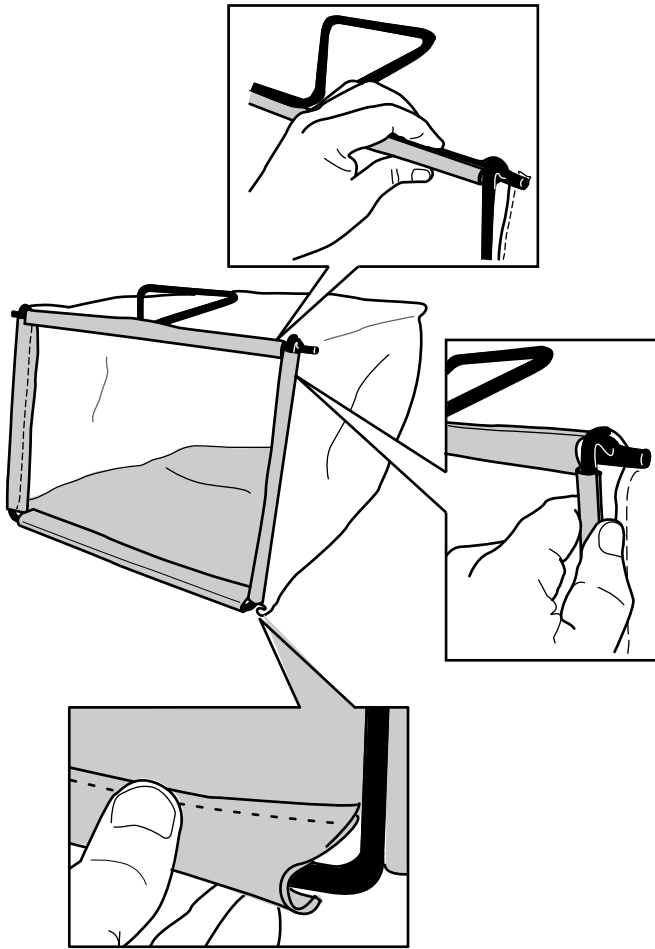
g027257

1. Holm
2. Rahmen
3. Fangkorb

g027257

Hinweis: Schieben Sie den Grasfangkorb nicht über den Holm (Bild 7).

- Haken Sie den unteren Kanal des Grasfangkorbs an der Unterseite des Rahmens ein (Bild 8).



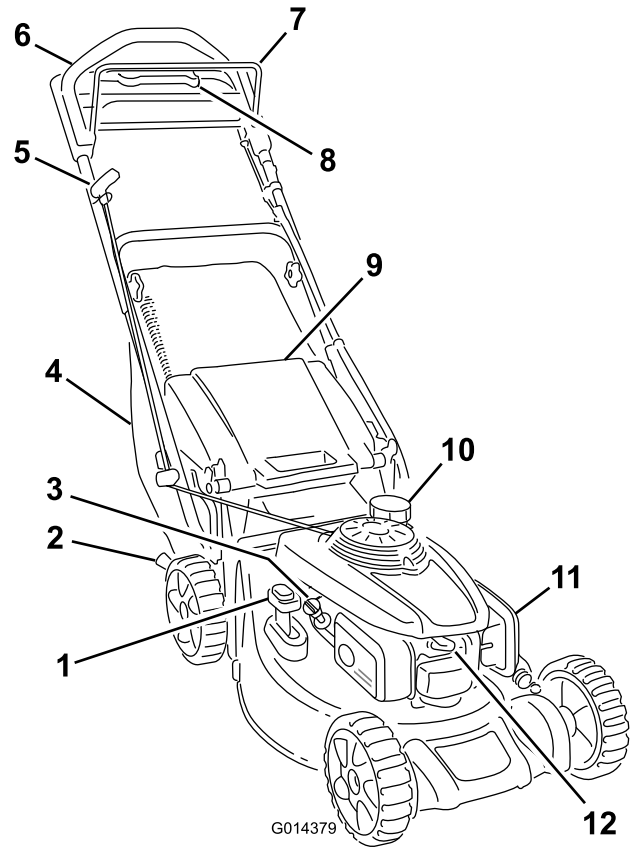
g027258

g027258

Bild 8

- Haken Sie die oberen und seitlichen Kanäle des Grasfangkorbs an der Oberseite und der Seite des Rahmens ein (Bild 8).

Produktübersicht



G014379

g014379

Bild 9

- | | |
|--------------------------------|------------------------------|
| 1. Zuschalbarer Fangkorb-Hebel | 7. Schaltbügel |
| 2. Schnitthöhenstellhebel (2) | 8. Antischlupfregelungsgriff |
| 3. Öleinfüllstutzen/Peilstab | 9. Heckablenkblechklappe |
| 4. Fangkorb | 10. Tankdeckel |
| 5. Rücklaufstarterbügel | 11. Luftfilter |
| 6. Oberer Bügel | 12. Zündkerze |

Technische Daten

Modell	Gewicht	Länge	Breite	Höhe
20837	38 kg	152 cm	53 cm	109 cm

Betrieb

Hinweis: Bestimmen Sie die linke und rechte Seite der Maschine anhand der üblichen Einsatzposition.

Vor dem Einsatz

Vor der sicheren Verwendung

Allgemeine Sicherheit

- Machen Sie sich mit dem sicheren Einsatz des Geräts, der Bedienelemente und den Sicherheitsaufklebern vertraut.
- Prüfen Sie, ob alle Schutzvorrichtungen und Sicherheitsvorrichtungen, wie z. B. Ablenkleche und/oder Grasfangkörbe montiert sind und richtig funktionieren.
- Überprüfen Sie immer die Maschine und stellen Sie sicher, dass die Schnittmesser, -schrauben und das Mähwerk nicht abgenutzt oder beschädigt sind.
- Prüfen Sie den Arbeitsbereich der Maschine und entfernen Sie alle Objekte, die sich auf den Einsatz der Maschine auswirken oder von ihr aufgeschleudert werden könnten.
- Wenn Sie die Schnitthöhe einstellen, können Sie mit dem Messer in Kontakt kommen und schwere Verletzungen erleiden.
 - Stellen Sie den Motor ab, ziehen Sie den Zündschlüssel ab (nur Modelle mit Elektro-Sofortstart) und warten Sie, bis alle beweglichen Teile zum Stillstand gekommen sind.
 - Führen Sie Ihre Finger beim Einstellen der Schnitthöhe nicht unter das Mähwerk.

Kraftstoffsicherheit

- Kraftstoff ist extrem leicht entflammbar und hochexplosiv. Feuer und Explosionen durch Kraftstoff können Verbrennungen und Sachschäden verursachen.
 - Stellen Sie den Kanister bzw. die Maschine vor dem Auftanken auf den Boden und nicht auf ein Fahrzeug oder auf ein Objekt, um eine elektrische Ladung durch das Entzünden des Kraftstoffs zu vermeiden.
 - Füllen Sie den Kraftstofftank im Freien auf, wenn der Motor kalt ist. Wischen Sie verschütteten Kraftstoff auf.

- Rauchen Sie nicht beim Umgang mit Kraftstoff, und gehen Sie nicht in der Nähe von offenem Feuer oder Funken mit Kraftstoff um.
- Betanken Sie die Maschine nie bei laufendem oder heißem Motor oder entfernen Sie den Tankdeckel.
- Lassen Sie den Motor nie bei Kraftstoffverschüttungen an. Vermeiden Sie, dass Sie Zündquellen schaffen, bis die Kraftstoffdämpfe verdunstet sind.
- Bewahren Sie Kraftstoff in vorschriftsmäßigen, für Kinder unzugänglichen Kanistern auf.
- Kraftstoff ist bei Einnahme gesundheitsschädlich oder tödlich. Wenn eine Person langfristig Benzindünsten ausgesetzt ist, kann dies zu schweren Verletzungen und Krankheiten führen.
 - Vermeiden Sie das langfristige Einatmen von Benzindünsten.
 - Halten Sie Ihre Hände und das Gesicht vom Füllstutzen und der Öffnung des Kraftstofftanks fern.
 - Halten Sie Kraftstoff von Augen und der Haut fern.

Betanken

- Die besten Ergebnisse erhalten Sie, wenn Sie sauberes, frisches, bleifreies Benzin mit einer Mindestoktanzahl von 87 (R+M)/2 verwenden.
- Mit Sauerstoff angereicherter Kraftstoff mit 10 % Ethanol oder 15 % MTBE (Volumenanteil) ist auch geeignet.
- Verwenden Sie **keine** Benzin-Ethanolmischungen (z. B. E15 oder E85) mit mehr als 10 % Ethanol (Volumenanteil). Sonst können Leistungsprobleme und/oder Motorschäden auftreten, die ggf. nicht von der Garantie abgedeckt sind.
- Verwenden Sie **kein** Benzin mit Methanol.
- Lagern Sie **keinen** Kraftstoff im Kraftstofftank oder in Kraftstoffbehältern über den Winter, wenn Sie keinen Kraftstoffstabilisator verwenden.
- Vermischen Sie **nie** Benzin mit Öl.

Füllen Sie den Kraftstofftank mit frischem, bleifreiem Normalbenzin von einer angesehenen Tankstelle ([Bild 10](#)).

Wichtig: Fügen Sie zur Vermeidung von Anlassproblemen dem Benzin in jeder Saison Kraftstoffstabilisator zu. Mischen Sie den Stabilisator mit Benzin, das nicht älter als 30 Tage ist.

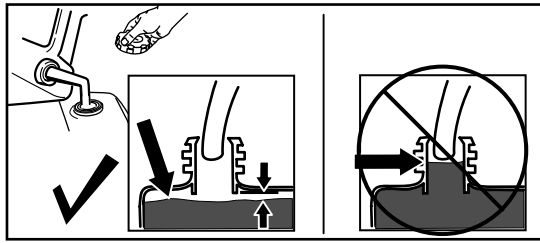


Bild 10

g230458

waschaktives Öl (SAE 30 oder SAE 10W-30) in den Öleinfüllstutzen, warten Sie drei Minuten und wiederholen Sie dann die Schritte 3 bis 5, bis der Ölstand am Peilstab richtig ist.

- Wenn der Ölstand am Peilstab zu hoch ist (Bild 11), lassen Sie Öl ab, bis der Ölstand am Peilstab richtig ist, siehe [Wechseln des Motoröls \(Seite 16\)](#).

Wichtig: Wenn der Ölstand im Motor zu hoch oder zu niedrig ist und Sie den Motor laufen lassen, können Motorschäden auftreten.

6. Stecken Sie den Peilstab fest in den Öleinfüllstutzen.

Prüfen des Motorölstands

Wartungsintervall: Bei jeder Verwendung oder täglich

1. Stellen Sie die Maschine auf einer ebenen Fläche ab.
2. Entfernen Sie den Peilstab, indem Sie den Deckel nach links drehen und herausziehen (Bild 11).

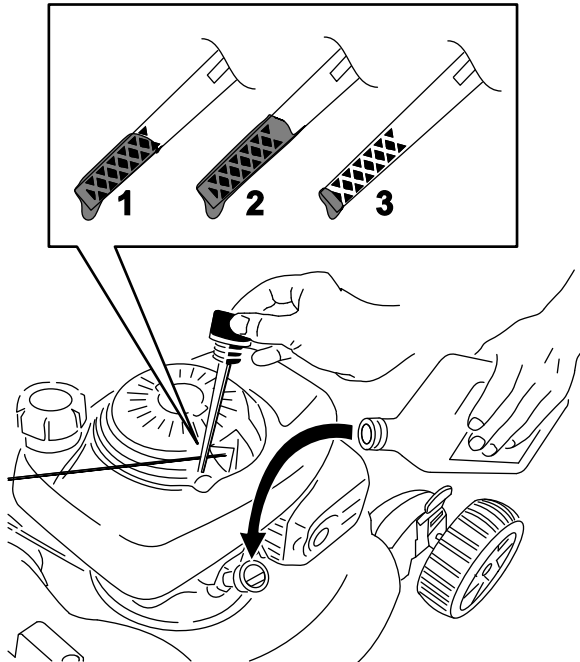


Bild 11

g238622

1. Voll
2. Hoch
3. Niedrig

Einstellen der Holmhöhe

Sie können den Holm auf eine für Sie passende Höhe anheben oder absenken.

Drehen Sie die Holmarretierung, stellen Sie den Holm in eine der drei Stellungen und arretieren ihn (Bild 12).

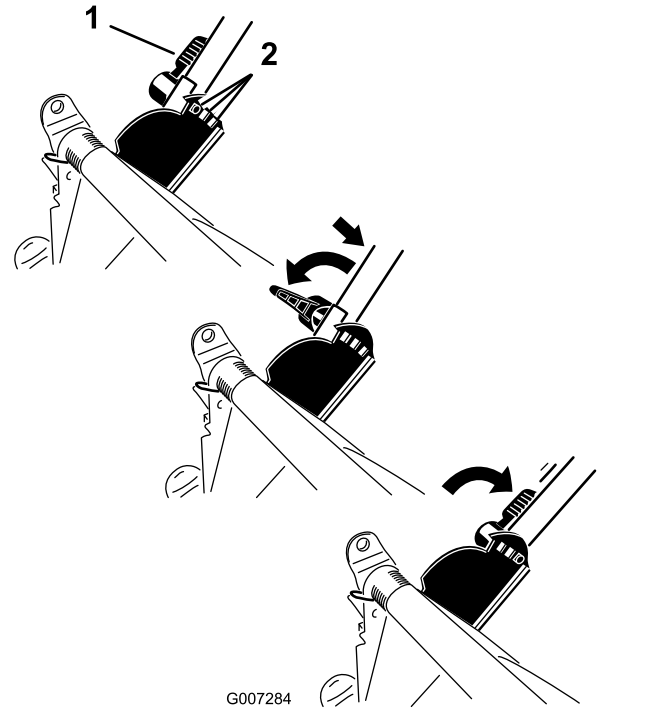


Bild 12

G007284

g007284

1. Holmarretierung
2. Holmstellungen

3. Wischen Sie den Peilstab mit einem sauberen Lappen ab.
4. Stecken Sie den Peilstab in den Öleinfüllstutzen, schrauben Sie ihn jedoch nicht ein; nehmen Sie den Peilstab dann heraus.
5. Lesen Sie den Ölstand am Peilstab ab. (Bild 11)
 - Wenn der Ölstand am Peilstab zu niedrig ist (Bild 11), füllen Sie langsam etwas

Einstellen der Schnitthöhe

Stellen Sie die Schnitthöhe ein. Stellen Sie alle Schnitthöheneinstellhebel auf die gleiche Schnitthöhe ein. Zum Anheben oder Absenken der Maschine, siehe Bild 13.

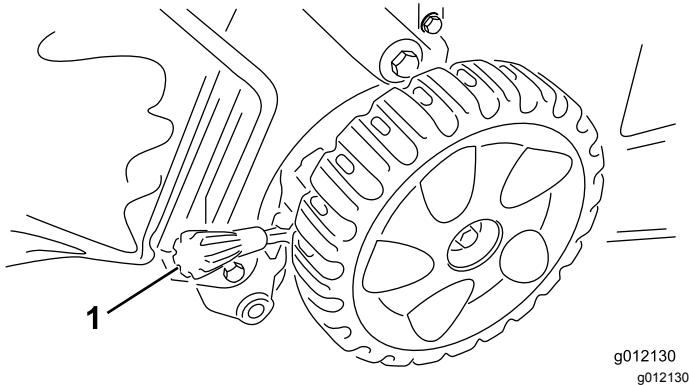


Bild 13

1. Schnitthöheneinstellhebel

Wichtig: Die Einstellungen für die Schnitthöhen sind 25 mm, 38 mm, 51 mm, 64 mm, 83 mm, 95 mm und 108 mm.

Während des Einsatzes

Hinweise zur Sicherheit während des Betriebs

Allgemeine Sicherheit

- Tragen Sie geeignete Kleidung, u. a. eine Schutzbrille, lange Hosen, rutschfeste Arbeitsschuhe und einen Gehörschutz. Binden Sie lange Haare hinten zusammen, tragen keine losen Kleidungsstücke und keinen herunterhängenden Schmuck.
- Bedienen Sie die Maschine nicht, wenn Sie müde oder krank sind oder unter Alkohol- oder Drogeneinfluss stehen.
- Das Messer ist scharf; ein Kontakt damit kann zu schweren Verletzungen führen. Stellen Sie vor dem Verlassen der Bedienerposition den Motor ab, ziehen Sie die Zündschlüssel (nur Modelle mit Elektro-Sofortstart) ab und warten, bis alle beweglichen Teile zum Stillstand gekommen sind.
- Wenn Sie den Schaltbügel loslassen, sollten der Motor und das Messer innerhalb von drei Sekunden abstellen. Wenn dies nicht der Fall ist, setzen Sie die Maschine nicht mehr ein und wenden sich sofort an einen offiziellen Vertragshändler.
- Halten Sie Unbeteiligte, besonders kleine Kinder, aus dem Arbeitsbereich fern. Stellen Sie, wenn jemand den Arbeitsbereich betritt, sofort die Maschine ab.
- Schauen Sie immer nach unten und nach hinten, bevor Sie die Maschine rückwärts bewegen.
- Setzen Sie die Maschine nur in guten Sichtverhältnissen und geeigneten Wetterbedingungen ein. Verwenden Sie die Maschine nicht bei möglichen Gewittern.
- Nasses Gras und/oder nasse Blätter können zu schweren Verletzungen führen, sollten Sie darauf ausrutschen und mit dem Messer in Berührung kommen. Vermeiden Sie Mäharbeiten bei nassen Umgebungsbedingungen.
- Gehen Sie beim Anfahren von blinden Ecken, Sträuchern, Bäumen und anderen Gegenständen, die Ihre Sicht behindern können, vorsichtig vor.
- Achten Sie auf Löcher, Rillen, Bodenwellen, Steine oder andere verborgene Objekte. Unebenes Terrain kann zum Überschlagen der Maschine führen, oder Sie können das Gleichgewicht oder den Halt verlieren.
- Stellen Sie den Motor sofort ab, wenn der Mäher auf einen Gegenstand aufprallt oder anfängt zu vibrieren, ziehen den Zündschlüssel (falls

vorhanden) ab, warten, bis alle beweglichen Teile zum Stillstand gekommen sind und ziehen den Zündkerzenstecker ab, bevor Sie den Mäher auf eventuelle Beschädigungen untersuchen. Führen Sie die erforderlichen Reparaturarbeiten aus, bevor Sie die Maschine erneut einsetzen.

- Stellen Sie vor dem Verlassen der Bedienungposition den Motor ab, ziehen Sie den Zündschlüssel (nur Modelle mit Elektrostart) ab und warten, bis alle beweglichen Teile zum Stillstand gekommen sind.
- Wenn der Motor gelaufen ist, ist der Auspuff heiß und Sie könnten sich verbrennen. Berühren Sie nie den heißen Auspuff.
- Prüfen Sie die Teile des Fangkorbs und des Auswurfkanals häufig auf Risse oder Abnutzung und wechseln Sie sie ggf. mit den vom Hersteller empfohlenen Teilen aus.
- Verwenden Sie nur von The Toro® Company zugelassenes Zubehör und zugelassene Anbaugeräte.

Sicherheit an Hanglagen

- Mähen Sie immer quer zum Hang, nicht hangaufwärts oder -abwärts. Gehen Sie beim Richtungswechsel an Hanglagen äußerst vorsichtig vor.
- Versuchen Sie nicht, steile Hanglagen zu mähen. Ein schlechter Halt kann zu Rutsch- und Fallunfällen führen.
- Gehen Sie bei Mäharbeiten in der Nähe von steilen Gefällen, Gräben oder Böschungen besonders vorsichtig vor.

Anlassen des Motors

1. Drücken Sie den Schaltbügel gegen den Holm (A in Bild 14).
2. Ziehen Sie leicht am Rücklaufstartergriff, bis Sie einen Widerstand spüren. Ziehen Sie ihn dann kräftig durch und lassen ihn langsam in die Seilführung am Holm zurückgehen (Bin in Bild 14).

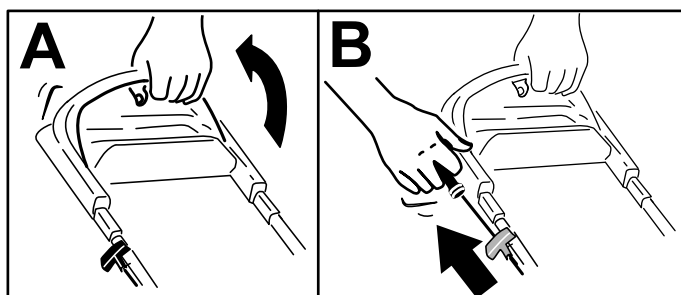


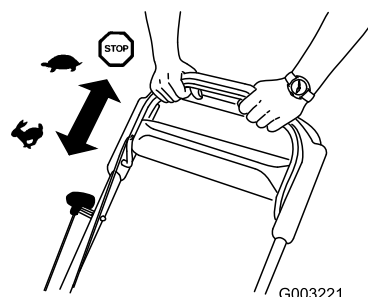
Bild 14

g233422

Hinweis: Wenn der Rasenmäher nach mehreren Versuchen nicht anspringt, wenden Sie sich an den offiziellen Vertragshändler.

Verwenden des Selbstantriebs

Um den Selbstantrieb zu benutzen, gehen Sie einfach vorwärts und halten Sie dabei Ihre Hände am oberen Holm und Ihre Ellbogen an Ihren Seiten; die Maschine hält automatisch mit Ihnen Schritt (Bild 15).



G003221

g003221

Bild 15

Hinweis: Wenn die Maschine nicht ungehindert nach dem Selbstantrieb rückwärts rollt, gehen Sie nicht weiter, lassen Sie die Hände am Bügel und lassen Sie die Maschine ein paar Zentimeter vorwärts rollen, um den Radantrieb einzukuppeln. Sie können auch unter dem oberen Holm den Metallbügel anfassen und die Maschine ein paar Zentimeter nach vorne schieben. Wenn die Maschine immer noch nicht ungehindert rückwärts rollt, wenden Sie sich an den offiziellen Vertragshändler.

Abstellen des Motors

Wartungsintervall: Bei jeder Verwendung oder täglich

Lassen Sie zum Abstellen des Motors den Schaltbügel los.

Wichtig: Wenn Sie den Schaltbügel loslassen, sollten der Motor und das Messer innerhalb von drei Sekunden abstellen. Wenn dies nicht der Fall ist, setzen Sie die Maschine nicht mehr ein und wenden sich sofort an einen offiziellen Vertragshändler.

Schnittgutrecyclen

Der Rasenmäher ist werksseitig auf das Recyclen von Schnittgut und Laub eingestellt.

Hinweis: Der Fangkorb muss nicht von der Maschine abgenommen werden, wenn Sie das Schnittgut recyceln.

Schieben Sie den Hebel für den zuschaltbaren Grasfangkorb in die RECYCLING-Stellung, um das Schnittgut zu recyceln (Bild 16).

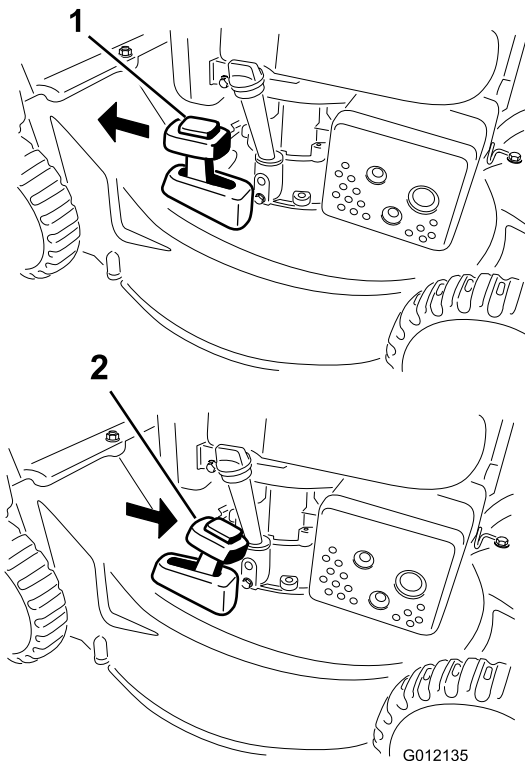


Bild 16

g012135

1. RECYCLING-Stellung 2. FANGKORB-Stellung

Sammeln des Schnittguts

Verwenden Sie den Fangkorb, um Schnittgut und Laub im Fangkorb zu sammeln.

⚠️ WARNUNG:

Ein verschlissener Fangkorb kann das Ausschleudern kleiner Steine und ähnlicher Gegenstände in Richtung des Benutzers und Unbeteiligter zulassen. Das kann zu schweren oder tödlichen Verletzungen führen.

Prüfen Sie den Fangkorb regelmäßig. Tauschen Sie ihn, wenn er beschädigt ist, gegen einen neuen Ersatzkorb von Toro aus.

⚠️ WARNUNG:

Das Messer ist scharf; ein Kontakt kann zu schweren Verletzungen führen.

Stellen Sie den Motor ab und warten Sie, bis alle beweglichen Teile zum Stillstand gekommen sind, bevor Sie die Bedienungsposition verlassen.

1. Stellen Sie den Motor ab und warten Sie, bis alle beweglichen Teile zum Stillstand gekommen sind.
2. Setzen Sie den Fangkorb ein, siehe [Montieren des Fangkorbs \(Seite 11\)](#), und stellen den Hebel für den zuschaltbaren Fangkorb in die BAGGING-Stellung, wie in [Bild 16](#) abgebildet.

Montieren des Fangkorbs

1. Stellen Sie den Motor ab und warten Sie, bis alle beweglichen Teile zum Stillstand gekommen sind.
2. Halten Sie das Heckablenkblech hoch, setzen Sie den Fangkorb in die Kerben ein und senken das Heckablenkblech ab ([Bild 17](#)).

Betriebshinweise

Allgemeine Mähtipps

- Prüfen Sie den Arbeitsbereich gründlich und entfernen Sie alle Objekte, die von der Maschine aufgeschleudert werden könnten.
- Vermeiden Sie, dass das Messer auf Fremdkörper aufprallt. Mähen Sie nie absichtlich über irgendwelchen Gegenständen.
- Stellen Sie den Motor sofort ab, wenn der Mäher auf einen Gegenstand aufprallt oder anfängt zu vibrieren, ziehen den Zündschlüssel (falls vorhanden) ab, ziehen den Zündkerzenstecker ab und untersuchen Sie den Mäher auf eventuelle Beschädigungen.
- Montieren Sie für die optimale Leistung vor dem Saisonbeginn ein neues Messer.
- Tauschen Sie die Messer bei Bedarf durch ein Originalersatzmesser von Toro aus.

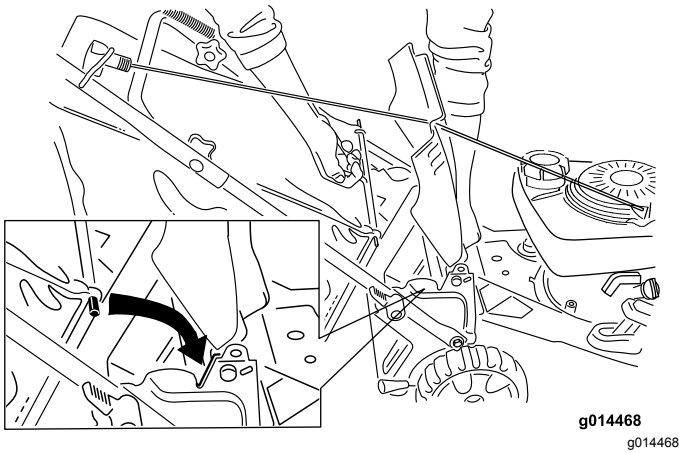


Bild 17

Entfernen des Fangkorbs

1. Stellen Sie den Motor ab und warten Sie, bis alle beweglichen Teile zum Stillstand gekommen sind.
2. Heben Sie den Fangkorb an und vom Griff weg.

Hinweis: Kippen Sie den Fangkorb etwas nach hinten, damit das Schnittgut nicht herausfällt.

Heckauswurf des Schnittguts

Verwenden Sie den Heckauswurf, wenn Sie sehr hohes Gras schneiden.

Hinweis: Nehmen Sie ggf. den Fangkorb von der Maschine ab, bevor Sie das Schnittgut hinten auswerfen, siehe [Entfernen des Fangkorbs \(Seite 12\)](#). Der Hebel für den zuschaltbaren Fangkorb sollte in der BAGGING-Stellung sein, wie in [Bild 16](#) abgebildet.

⚠️ WARNUNG:

Das Messer ist scharf; ein Kontakt kann zu schweren Verletzungen führen.

Stellen Sie den Motor ab und warten Sie, bis alle beweglichen Teile zum Stillstand gekommen sind, bevor Sie die Bedienungsposition verlassen.

Mähen

- Mähen Sie immer nur ein Drittel des Grashalms in einem Durchgang. Mähen Sie nicht unter einer Einstellung von 51 mm, wenn das Gras sehr fein wächst, oder im Spätherbst, wenn das Graswachstum nachlässt.
- Stellen Sie beim ersten Durchgang die Schnitthöhe auf die höchste Einstellung und gehen langsamer, wenn Sie Gras mähen, das länger als 15 cm ist. Mähen Sie dann noch einmal mit einer niedrigeren Einstellung, um dem Rasen das gewünschte Schnittbild zu geben. Wenn das Gras zu lang ist, kann die Maschine verstopfen und der Motor kann abstellen.
- Nasses Gras und Laub neigen zum Verklumpen im Garten und können ein Verstopfen der Maschine und ein Abstellen des Motors verursachen. Vermeiden Sie Mäharbeiten bei nassen Umgebungsbedingungen.
- In sehr trockenen Bedingungen besteht eine Brandgefahr. Halten Sie alle lokalen Brandgefahrwarnungen ein und entfernen Sie trockenes Gras und Laub von der Maschine.
- Wechseln Sie häufig die Mährichtung. Dadurch verteilt sich das Schnittgut besser auf der Rasenfläche und bewirkt ein effektiveres Düngen.
- Probieren Sie bei einem unbefriedigenden Schnittbild des Rasens eine der folgenden Abhilfen aus:
 - Wechseln Sie das Messer aus oder lassen Sie es schärfen.
 - Gehen Sie beim Mähen langsamer.
 - Heben Sie die Schnitthöhe der Maschine an.

- Mähen Sie häufiger.
- Lassen Sie die Bahnen überlappen, anstelle bei jedem Gang eine neue Bahn zu mähen.

Schnetzeln von Laub

- Stellen Sie nach dem Mähen sicher, dass die Hälfte des Rasens durch die Schnittgutdecke sichtbar ist. Dabei müssen Sie unter Umständen mehrmals über das Laub mähen.
- Wenn eine Laubdecke von mehr als 13 cm auf dem Rasen liegt, mähen Sie mit einer höheren Schnitthöhe und dann mit der gewünschten Schnitthöhe.
- Mähen Sie langsamer, wenn die Maschine das Laub nicht fein genug häckselt.

Nach dem Einsatz

Hinweise zur Sicherheit nach dem Betrieb

Allgemeine Sicherheit

- Entfernen Sie Gras und Schmutz von der Maschine, um einem Brand vorzubeugen. Wischen Sie Öl- und Kraftstoffverschüttungen auf.
- Lassen Sie den Motor abkühlen, bevor Sie die Maschine in einem geschlossenen Raum abstellen.
- Lagern Sie die Maschine oder den Benzinkanister nie an Orten mit offener Flamme, Funken oder Zündflamme, z. B. Warmwasserbereiter, oder auf anderen Geräten.

Sicherheit beim Befördern

- Ziehen Sie den Zündschlüssel (falls vorhanden) ab, bevor Sie die Maschine für den Transport verladen.
- Gehen Sie beim Laden und Abladen der Maschine auf einen/von einem Transportmittel vorsichtig vor.
- Sichern Sie die Maschine für den Transport.

Reinigen unter dem Gerät

Wartungsintervall: Bei jeder Verwendung oder täglich

Um die besten Ergebnisse zu erzielen, reinigen Sie die Maschine sobald Sie mit dem Mähen fertig sind.

1. Senken Sie die Maschine auf die niedrigste Schnitthöhe ab. Siehe [Einstellen der Schnitthöhe \(Seite 9\)](#).
2. Stellen Sie die Maschine auf einer ebenen Fläche ab.
3. Befestigen Sie einen Gartenschlauch, der an einen Wasserhahn angeschlossen ist, am Wasseranschluss ([Bild 18](#)).

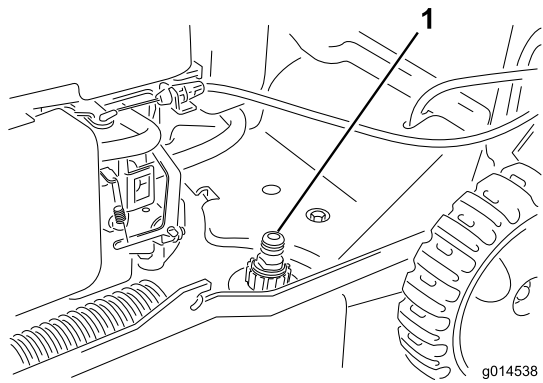


Bild 18

1. Wasseranschluss

4. Drehen Sie den Wasserhahn auf.
5. Starten Sie den Motor und lassen Sie ihn so lange laufen, bis kein weiteres Schnittgut an der Unterseite der Maschine austritt.
6. Stellen Sie den Motor ab.
7. Drehen Sie den Wasserhahn zu und schließen Sie den Gartenschlauch von der Maschine ab.
8. Starten Sie den Motor und lassen Sie ihn für ein paar Minuten laufen, um die Unterseite der Maschine auszutrocknen.
9. Stellen Sie den Motor ab und warten, bis er sich abgekühlt hat.

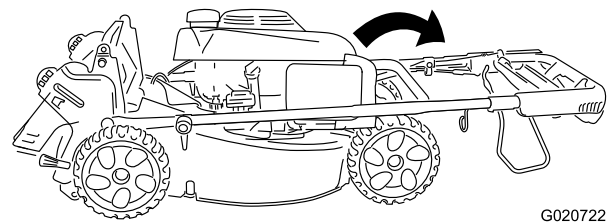


Bild 19

3. Drehen Sie das obere Teil des Griffs zurück in Richtung Motor, siehe Bild 20.

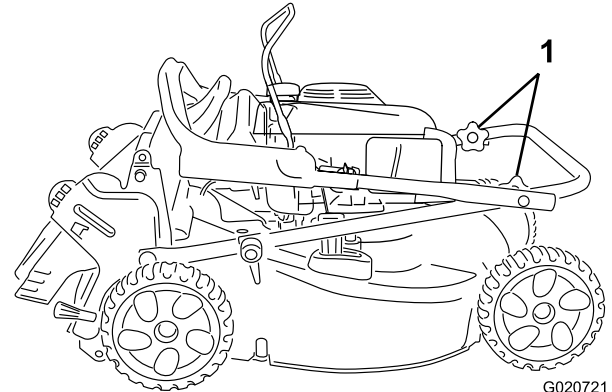


Bild 20

1. Holmhandräder

Zusammenklappen des Holms

⚠️ WARNUNG:

Wenn Sie den Holm falsch auf- oder zusammenklappen, können Sie die Kabel beschädigen und den sicheren Geräteinsatz gefährden.

- Beschädigen Sie beim Auf- oder Zusammenklappen des Holms nicht die Kabel.
- Wenden Sie sich bei einem beschädigten Kabel an einen offiziellen Vertragshändler.

1. Lösen Sie die Griffhandräder.
2. Drehen Sie den Griff nach vorne (Bild 19).

Wichtig: Verlegen Sie die Kabel außen an den Holmhandrädern, wenn Sie den oberen Holm zusammenklappen.

Wartung

Empfohlener Wartungsplan

Wartungsintervall	Wartungsmaßnahmen
Nach fünf Betriebsstunden	<ul style="list-style-type: none">• Wechseln Sie das Motoröl.
Bei jeder Verwendung oder täglich	<ul style="list-style-type: none">• Prüfen des Motorölstands.• Stellen Sie sicher, dass der Motor innerhalb von drei Sekunden nach dem Loslassen des Schaltbügels abstellt.• Entfernen Sie Schnittgut und Schmutz von der Unterseite des Mähwerks.
Alle 100 Betriebsstunden	<ul style="list-style-type: none">• Warten Sie die Zündkerze.
Jährlich	<ul style="list-style-type: none">• Warten Sie den Luftfilter.• Wechseln Sie das Motoröl.• Wechseln Sie das Messer aus oder lassen Sie es schärfen (öfter, wenn die Kanten schnell stumpf werden).• Reinigen Sie den Motor, um Schmutz und Rückstände von der Oberseite und den Seiten zu entfernen; reinigen Sie ihn öfter in staubigen Bedingungen.
Jährlich oder vor der Einlagerung	<ul style="list-style-type: none">• Entleeren Sie den Kraftstofftank laut Anweisung vor irgendwelchen Reparaturen und der Einlagerung.

Wichtig: Weitere Informationen zu Wartungsarbeiten finden Sie in der Motorbedienungsanleitung.

Wartungssicherheit

- Ziehen Sie den Zündkerzenstecker ab, bevor Sie Wartungsarbeiten ausführen.
- Tragen Sie beim Durchführen von Wartungsarbeiten Handschuhe und eine Schutzbrille.
- Das Messer ist scharf; ein Kontakt damit kann zu schweren Verletzungen führen. Tragen Sie Handschuhe, wenn Sie das Messer warten. Führen Sie keine Reparaturen oder Modifikationen an den Messern aus.
- Modifizieren Sie auf keinen Fall die Sicherheitsvorkehrungen. Prüfen Sie ihre einwandfreie Funktion in regelmäßigen Abständen.
- Ein Kippen der Maschine kann zu einem Verschütten von Kraftstoff führen. Kraftstoff ist entflammbar, explosiv und kann Verletzungen verursachen. Lassen Sie den Motor laufen, bis kein Kraftstoff mehr im Tank ist, oder pumpen Sie den Kraftstoff ab. Sie sollten auf keinen Fall versuchen, Kraftstoff abzusaugen.
- Verwenden Sie nur Toro-Originalteile und -Zubehör, damit eine optimale Leistung erzielt wird und die Maschine weiterhin den Sicherheitsbestimmungen entspricht. Die Verwendung von Ersatzteilen und Zubehör von anderen Herstellern kann Gefahren bergen und zum Erlöschen der Garantie führen.

Vorbereiten für die Wartung

1. Stellen Sie den Motor ab und warten Sie, bis alle beweglichen Teile zum Stillstand gekommen sind.
2. Ziehen Sie den Kerzenstecker von der Zündkerze ab (Bild 21).

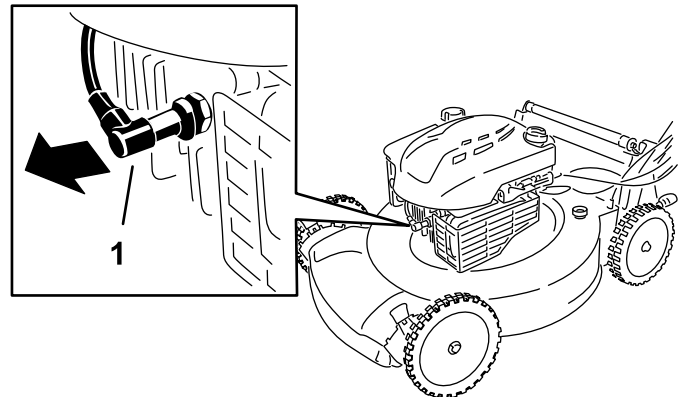


Bild 21

g238653

1. Zündkerzenstecker

3. Stecken Sie nach dem Abschluss der Wartungsarbeiten das Zündkabel wieder auf die Zündkerze.

Wichtig: Lassen Sie den Motor laufen, bis er aufgrund von Kraftstoffmangel abstellt, bevor Sie den Rasenmäher umkippen, um das Öl oder Messer zu wechseln. Wenn Sie die Maschine kippen müssen, während sich

Kraftstoff im Tank befindet, pumpen Sie den Kraftstoff mit einer Handpumpe ab. Kippen Sie die Maschine immer so auf die Seite, dass der Peilstab nach unten zeigt.

Warten des Luftfilters

Wartungsintervall: Jährlich

1. Drücken Sie die Verriegelungsnasen oben an der Luftfilterabdeckung nach unten (**Bild 22**).

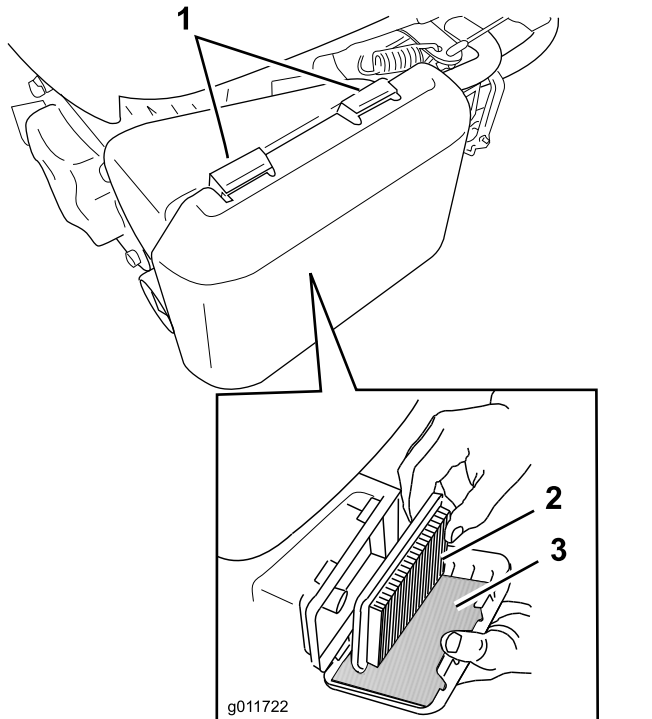


Bild 22

1. Verriegelungslaschen
2. Papierluftfilter
3. Schaumvorfilter

2. Öffnen Sie die Abdeckung.
3. Entfernen Sie den Papierfilter und den Schaumvorfilter (**Bild 22**).
4. Prüfen Sie den Schaumvorfilter und wechseln ihn aus, wenn er beschädigt oder sehr verschmutzt ist.
5. Prüfen Sie den Papierfilter.
 - Wenn der Luftfilter beschädigt oder mit Öl oder Kraftstoff befeuchtet ist, wechseln Sie ihn aus.
 - Wenn der Luftfilter schmutzig ist, klopfen Sie ihn mehrmals auf einer festen Oberfläche aus oder blasen Sie Druckluft unter 2,07 bar durch die Seite des Filters, die zum Motor zeigt.

Hinweis: Bürsten Sie Schmutz nie vom Filter ab. Ein Bürsten drückt den Schmutz noch tiefer in die Fasern.

6. Entfernen Sie den Schmutz vom Luftfiltergehäuse und von der Abdeckung mit einem feuchten Lappen.

Wichtig: Wischen Sie keinen Schmutz in den Luftschacht.

7. Setzen Sie den Schaumstoffvorfilter und den Papierfilter in den Luftfilter ein.
8. Setzen Sie die Abdeckung auf.

Wechseln des Motoröls

Wartungsintervall: Nach fünf Betriebsstunden

Jährlich

Hinweis: Lassen Sie den Motor ein paar Minuten laufen, bevor Sie das Öl wechseln, um es aufzuwärmen. Warmes Öl fließt besser und führt mehr Fremdstoffe mit sich.

Motorölsorte

Motorölmenge	0,55 l
Ölviskosität	Waschaktives Öl der Sorte SAE 30 oder SAE 10W-30
API-Klassifikation	SJ oder höher

1. Stellen Sie die Maschine auf einer ebenen Fläche ab.
2. Siehe [Vorbereiten für die Wartung \(Seite 15\)](#).
3. Entfernen Sie den Peilstab, indem Sie den Deckel nach links drehen und herausziehen (**Bild 23**).

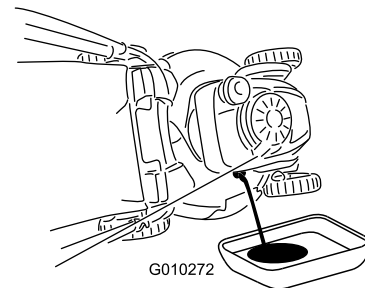


Bild 23

4. Kippen Sie die Maschine seitlich (Luftfilter nach oben), um das Altöl aus dem Öleinfüllstutzen abzulassen (**Bild 23**).

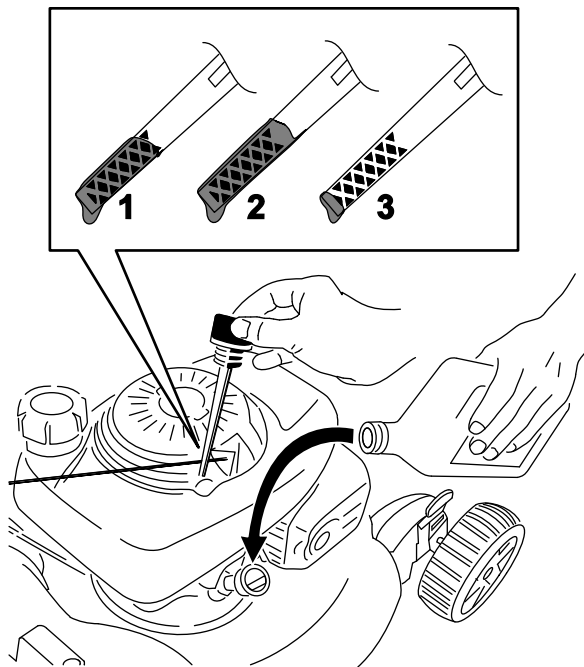


Bild 24

g238622

1. Voll
2. Hoch
3. Niedrig

5. Stellen Sie die Maschine nach dem Ablassen des Altöls wieder in die Betriebsstellung.
6. Gießen Sie ca. $\frac{3}{4}$ der Motorölfüllmenge langsam in den Öleinfüllstutzen.
7. Warten Sie drei Minuten, damit sich das Öl im Motor setzen kann.
8. Wischen Sie den Peilstab mit einem sauberen Lappen ab.
9. Stecken Sie den Peilstab in den Öleinfüllstutzen, **schrauben Sie ihn jedoch nicht ein**; nehmen Sie den Peilstab dann heraus.
10. Lesen Sie den Ölstand am Peilstab ab. ([Prüfen des Motorölstands \(Seite 8\)](#))
 - Wenn der Ölstand am Peilstab zu niedrig ist, füllen Sie langsam etwas Öl in den Öleinfüllstutzen, warten Sie drei Minuten und wiederholen Sie dann die Schritte [8](#) bis [10](#), bis der Ölstand am Peilstab richtig ist.
 - Wenn der Ölstand am Peilstab zu hoch ist, lassen Sie Öl ab, bis der Ölstand am Peilstab richtig ist.

Wichtig: Wenn der Ölstand im Motor zu hoch oder zu niedrig ist und Sie den Motor laufen lassen, können Motorschäden auftreten.

11. Stecken Sie den Peilstab fest in den Einfüllstutzen.
12. Entsorgen Sie das Altöl ordnungsgemäß.

Warten der Zündkerze

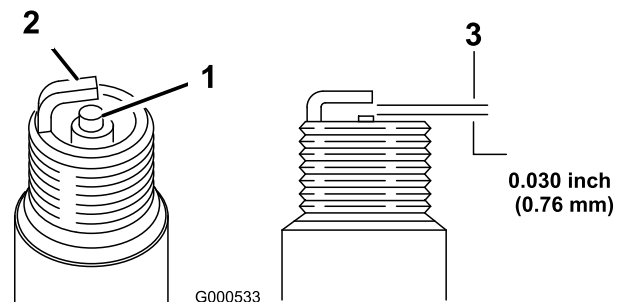
Wartungsintervall: Alle 100 Betriebsstunden

Verwenden Sie eine **Champion RN9YC** oder gleichwertige Zündkerze.

1. Stellen Sie den Motor ab und warten Sie, bis alle beweglichen Teile zum Stillstand gekommen sind.
2. Klemmen Sie das Zündkabel von der Zündkerze ab ([Bild 21](#)).
3. Reinigen Sie den Bereich um die Zündkerze herum.
4. Entfernen Sie die Zündkerze aus dem Zylinderkopf.

Wichtig: Tauschen Sie eine gerissene, verrußte oder verschmutzte Zündkerze aus. Reinigen Sie nie die Elektroden, da Abschabungen in den Zylinder eindringen und den Motor beschädigen könnten.

5. Stellen Sie den Elektrodenabstand auf 0,76 mm ein, siehe [Bild 25](#).



G000533

g000533

Bild 25

1. Kerzenstein der mittleren Elektrode
2. Seitliche Elektrode
3. Elektrodenabstand (nicht maßstabsgetreu)

6. Stecken Sie den Zündkerzenstecker wieder auf die Kerze.
7. Ziehen Sie die Kerze mit 20 N·m an.
8. Schließen Sie den Zündkerzenstecker wieder an die Zündkerze an.

Auswechseln des Messers

Wartungsintervall: Jährlich

Wichtig: Sie benötigen für den richtigen Einbau des Messers einen Drehmomentschlüssel. Wenn Sie keinen Drehmomentschlüssel haben oder diese Arbeit nicht ausführen möchten, wenden Sie sich an einen offiziellen Vertragshändler.

Prüfen Sie das Messer, wenn der Kraftstofftank leer ist. Wechseln Sie das Messer sofort aus, wenn es beschädigt oder gerissen ist. Schärfen Sie die Messerkante, wenn sie stumpf ist oder Einkerbungen aufweist. Wechseln Sie ggf. das Messer aus.

⚠️ WARNUNG:

Das Messer ist scharf; ein Kontakt kann zu schweren Verletzungen führen.

Tragen Sie Handschuhe, wenn Sie das Messer warten.

1. Siehe [Vorbereiten für die Wartung \(Seite 15\)](#).
2. Kippen Sie die Maschine auf die Seite, sodass der Luftfilter nach oben zeigt.
3. Stabilisieren Sie das Messer mit einem Holzblock ([Bild 26](#)).

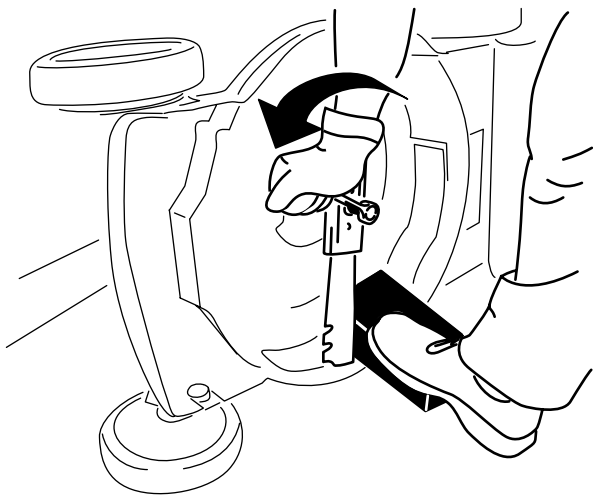


Bild 26

g231389

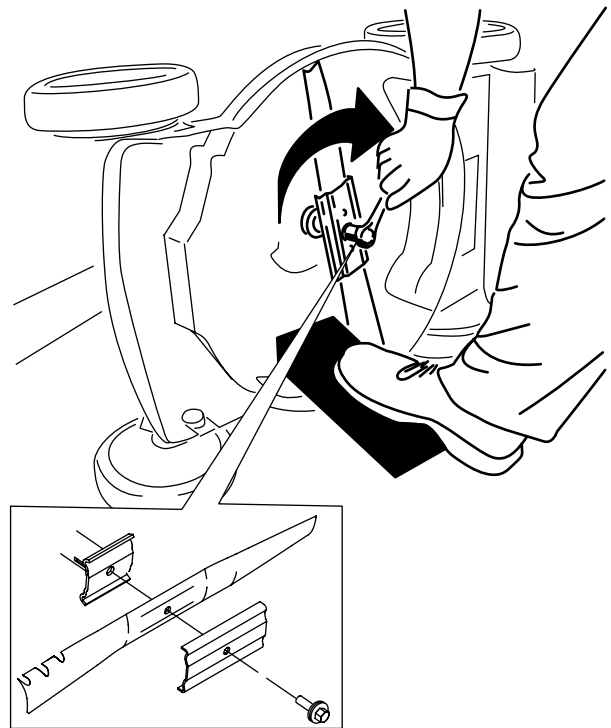


Bild 27

g231390

Wichtig: Das gebogene Ende des Messers sollte zum Mähwerkgehäuse zeigen.

6. Ziehen Sie die Messerschraube mit einem Drehmomentschlüssel mit 82 Nm an.

Wichtig: Eine mit 82 Nm angezogene Schraube sitzt sehr fest. Arretieren Sie das Messer mit einem Holzstück und verlagern Sie gleichzeitig das Gewicht auf den Schlüssel und ziehen Sie die Schraube fest. Diese Schraube kann fast nicht zu fest angezogen werden.

4. Nehmen Sie das Messer ab und bewahren Sie alle Befestigungsschrauben auf ([Bild 26](#)).
5. Setzen Sie das neue Messer und alle Schrauben auf ([Bild 27](#)).

Einlagerung

Lagern Sie die Maschine an einem kühlen, sauberen und trockenen Ort ein.

Vorbereiten der Maschine für die Einlagerung

1. Geben Sie dem Benzin beim letzten Auftanken im Jahr einen Kraftstoffstabilisator (z. B. Toro Premium Fuel Treatment) bei, wie auf dem Etikett angegeben.
2. Entsorgen Sie nicht verwendeten Kraftstoff ordnungsgemäß. Recyceln Sie den Kraftstoff vorschriftsmäßig oder verwenden Sie ihn für Ihr Auto.

Hinweis: Alter Kraftstoff im Kraftstofftank ist die häufigste Ursache für schweres Anspringen. Lagern Sie Kraftstoff ohne Stabilisator nicht länger als 30 Tage. Lagern Sie Kraftstoff mit Stabilisator nicht länger als 90 Tage.

3. Lassen Sie die Maschine so lange laufen, bis der Motor infolge von Benzinknappheit abstellt.
4. Starten Sie den Motor und lassen Sie ihn laufen, bis er abstellt. Wenn sich der Motor nicht mehr starten lässt, ist er ausreichend trocken.
5. Ziehen Sie den Kerzenstecker von der Zündkerze und befestigen ihn an der Haltestrebe (falls vorhanden).
6. Nehmen Sie die Zündkerze heraus, füllen Sie 30 ml Motoröl in das Zündkerzenloch und ziehen Sie mehrmals langsam am Starterkabel, um das Öl im Zylinder zu verteilen und eine Korrosion des Zylinders während der Einlagerung zu vermeiden.
7. Stecken Sie die Zündkerze locker auf.
8. Ziehen Sie alle Schrauben und Muttern an.

5. Prüfen Sie den Motorölstand; siehe [Prüfen des Motorölstands \(Seite 8\)](#).
6. Füllen Sie frischen Kraftstofftank in den Kraftstofftank, siehe [Betanken \(Seite 7\)](#).
7. Schließen Sie den Zündkerzenstecker wieder an die Zündkerze an.

Herausnehmen des Rasenmähers aus der Einlagerung

1. Ziehen Sie alle Befestigungen an.
2. Entfernen Sie die Zündkerze und drehen Sie den Motor schnell durch Ziehen des Rücklaufstarters, um überflüssiges Öl aus dem Zylinder zu entfernen.
3. Setzen Sie die Zündkerze ein und ziehen Sie sie mit einem Drehmomentschlüssel mit 20 Nm an.
4. Führen Sie die empfohlenen Wartungsarbeiten durch, siehe [Wartung \(Seite 15\)](#).

Europäischer Datenschutzhinweis

Die von Toro gespeicherten Informationen

Toro Warranty Company (Toro) respektiert Ihre Privatsphäre. Zum Bearbeiten Ihres Garantieanspruchs und zur Kontaktaufnahme bei einem Produktrückruf bittet Toro Sie, Toro direkt oder über den lokalen Vertragshändler bestimmte persönliche Informationen mitzuteilen.

Das Garantiesystem von Toro wird auf Servern in USA gehostet; dort gelten ggf. andere Vorschriften zum Datenschutz ggf. als in Ihrem Land.

Wenn Sie Toro persönliche Informationen mitteilen, stimmen Sie der Verarbeitung der persönlichen Informationen zu, wie in diesem Datenschutzhinweis beschrieben.

Verwendung der Informationen durch Toro

Toro kann Ihre persönlichen Informationen zum Bearbeiten von Garantieansprüchen, zur Kontaktaufnahme bei einem Produktrückruf oder anderen Zwecken, die Toro Ihnen mitteilt, verwenden. Toro kann die Informationen im Rahmen dieser Aktivitäten an Tochtergesellschaften von Toro, Händler oder Geschäftspartner weitergeben. Toro verkauft Ihre persönlichen Informationen an keine anderen Unternehmen. Toro hat das Recht, persönliche Informationen mitzuteilen, um geltende Vorschriften und Anfragen von entsprechenden Behörden zu erfüllen, um die Systeme richtig zu pflegen oder Toro oder andere Benutzer zu schützen.

Speicherung persönlicher Informationen

Toro speichert persönliche Informationen so lange, wie es für den Zweck erforderlich ist, für den die Informationen gesammelt wurden, oder für andere legitime Zwecke (z. B. Einhaltung von Vorschriften) oder Gesetzesvorschriften.

Toros Engagement zur Sicherung Ihrer persönlichen Informationen

Toro trifft angemessene Sicherheitsmaßnahmen, um Ihre persönlichen Informationen zu schützen. Toro unternimmt auch Schritte, um die Genauigkeit und den aktuellen Status der persönlichen Informationen zu erhalten.

Zugriff auf persönliche Informationen und Berichtigung

Wenn Sie Ihre persönlichen Informationen prüfen oder berichtigen möchten, senden Sie bitte eine E-Mail an legal@toro.com.

Australisches Verbrauchergesetz

Kunden in Australien finden weitere Details zum australischen Verbrauchergesetz entweder in der Verpackung oder können sich an den örtlichen Toro-Fachhändler wenden.



Tondeuse Super Recycler® de 48 cm

N° de modèle 20837—N° de série 401500000 et suivants

Manuel de l'utilisateur

Introduction

Cette tondeuse autotractée à lame rotative est destinée au grand public. Elle est principalement conçue pour tondre les pelouses entretenues régulièrement dans les terrains privés. Elle n'est pas conçue pour couper les broussailles ni pour un usage agricole.

Lisez attentivement cette notice pour apprendre à utiliser et entretenir correctement votre produit, et éviter de l'endommager ou de vous blesser. Vous êtes responsable de l'utilisation sûre et correcte du produit.

Vous pouvez contacter Toro directement à www.Toro.com pour tout renseignement concernant un produit ou un accessoire, pour obtenir l'adresse des concessionnaires ou pour enregistrer votre produit.

Pour obtenir des prestations de service, des pièces Toro d'origine ou des renseignements complémentaires, munissez-vous des numéros de modèle et de série du produit et contactez un concessionnaire-réparateur agréé ou le service client Toro. La [Figure 1](#) indique l'emplacement des numéros de modèle et de série du produit. Inscrivez les numéros dans l'espace réservé à cet effet.

Important: Avec votre appareil mobile, vous pouvez scanner le code QR sur l'autocollant du numéro de série (le cas échéant) afin d'accéder aux informations sur la garantie, les pièces détachées et autres renseignements sur le produit.

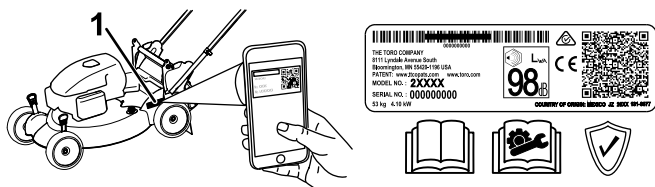


Figure 1

g226629

1. Emplacement des numéros de modèle et de série

N° de modèle	_____
N° de série	_____

Les mises en garde de ce manuel soulignent des dangers potentiels et sont signalées par le symbole de sécurité ([Figure 2](#)), qui indique un danger pouvant entraîner des blessures graves ou mortelles si les précautions recommandées ne sont pas respectées.



Figure 2

Symbole de sécurité

g000502

Ce manuel utilise deux termes pour faire passer des renseignements essentiels. **Important**, pour attirer l'attention sur des renseignements mécaniques spécifiques et **Remarque**, pour insister sur des renseignements d'ordre général méritant une attention particulière.

Ce produit est conforme à toutes les directives européennes pertinentes. Pour plus de renseignements, reportez-vous à la Déclaration de conformité spécifique du produit fournie séparément.

Couple brut ou net : le couple brut ou net de ce moteur a été calculé en laboratoire par le constructeur du moteur selon la norme SAE J1940 ou J2723 de la Society of Automotive Engineers (SAE). Étant configuré pour satisfaire aux normes de sécurité, antipollution et d'exploitation, le moteur monté sur cette classe de tondeuse aura un couple effectif nettement inférieur. Reportez-vous aux informations du constructeur du moteur qui accompagnent la machine.

Ne modifiez pas ou ne désactivez pas les systèmes de sécurité de machine, et vérifiez régulièrement qu'ils fonctionnent correctement. N'essayez pas de régler ou de modifier la commande de régime moteur, au risque de compromettre le fonctionnement sûr de la machine et de causer des blessures.

Table des matières

Introduction	1
Sécurité	2
Consignes de sécurité générales	2
Autocollants de sécurité et d'instruction	3



Sécurité

Cette machine est conçue en conformité avec la norme EN ISO 5395:2013.

Consignes de sécurité générales

Ce produit peut sectionner les mains ou les pieds et projeter des objets. Respectez toujours toutes les consignes de sécurité pour éviter des blessures graves.

L'utilisation de ce produit à d'autres fins que celle qui est prévue peut être dangereuse pour vous-même et pour les personnes à proximité.

- Avant de démarrer le moteur, vous devez lire, comprendre et respecter toutes les instructions et mises en garde données dans ce *Manuel de l'utilisateur* ainsi que sur la machine et les accessoires.
- Ne placez pas les mains ou les pieds près des pièces mobiles ou sous la machine. Ne vous tenez pas devant l'ouverture d'éjection.
- N'utilisez pas la machine s'il manque des capots ou d'autres dispositifs de protection, ou s'ils sont endommagés.
- Tenez adultes et enfants à une distance suffisante de la machine. N'autorisez jamais un enfant à utiliser la machine. Seules les personnes responsables, formées à l'utilisation de la machine, ayant lu et compris les instructions et physiquement aptes sont autorisées à utiliser la machine.
- Arrêtez la machine, coupez le moteur et attendez l'arrêt complet de toutes les pièces mobiles avant de faire l'entretien, de faire le plein de carburant ou de déboucher la machine.

L'usage ou l'entretien incorrect de cette machine peut occasionner des accidents. Pour réduire les risques d'accidents et de blessures, respectez les consignes de sécurité qui suivent. Tenez toujours compte des mises en garde signalées par le symbole de sécurité et la mention Prudence, Attention ou Danger. Le non respect de ces instructions peut entraîner des blessures graves ou mortelles.

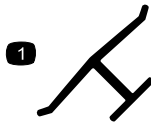
Vous trouverez d'autres consignes de sécurité, le cas échéant, en vous reportant aux sections respectives dans ce manuel.

Mise en service	4
1 Dépliage du guidon	4
2 Montage du câble du lanceur dans le guide	4
3 Plein d'huile moteur	4
4 Montage du bac à herbe	5
Vue d'ensemble du produit	6
Caractéristiques techniques	6
Utilisation	7
Avant l'utilisation	7
Contrôles de sécurité avant l'utilisation	7
Remplissage du réservoir de carburant.....	7
Contrôle du niveau d'huile moteur.....	8
Réglage de la hauteur du guidon	8
Réglage de la hauteur de coupe	9
Pendant l'utilisation	9
Consignes de sécurité pendant l'utilisation	9
Démarrage du moteur.....	10
Utilisation de la commande d'autopropulsion	10
Arrêt du moteur.....	11
Recyclage de l'herbe coupée.....	11
Ramassage de l'herbe coupée	11
Éjection arrière de l'herbe coupée.....	12
Conseils d'utilisation	12
Après l'utilisation	13
Consignes de sécurité après l'utilisation.....	13
Nettoyage du dessous de la machine.....	13
Pliage du guidon	13
Entretien	15
Programme d'entretien recommandé	15
Consignes de sécurité pendant l'entretien	15
Préparation à l'entretien.....	15
Entretien du filtre à air	16
Vidange de l'huile moteur.....	16
Entretien de la bougie	17
Remplacement de la lame	18
Remisage	19
Préparation de la machine au remisage	19
Remise en service après remisage	19

Autocollants de sécurité et d'instruction



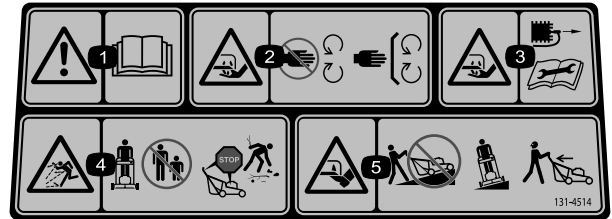
Des autocollants de sécurité et des instructions bien visibles par l'opérateur sont placés près de tous les endroits potentiellement dangereux. Remplacez tout autocollant endommagé ou manquant.



Marque du fabricant

decaloemmark

1. Cette marque identifie la lame comme pièce d'origine.

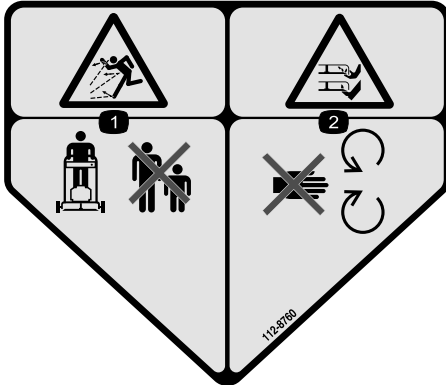


131-4514

decal131-4514b

131-4514

1. Attention – lisez le *Manuel de l'utilisateur*.
2. Risque de coupure/mutilation des mains par la lame de la tondeuse – ne vous approchez pas des pièces mobiles et gardez toutes les protections.
3. Risque de coupure/mutilation des mains par la lame de la tondeuse – débranchez le fil de la bougie et lisez les instructions avant d'entreprendre un entretien ou une révision.
4. Risque de projection d'objets – n'autorisez personne à s'approcher de la machine ; coupez le moteur avant de quitter la position d'utilisation ; ramassez les débris éventuellement présents avant de tondre.
5. Risque de coupure/mutilation des pieds par la lame de la tondeuse – ne travaillez pas dans le sens de la pente, mais transversalement ; regardez derrière vous avant de faire marche arrière.



112-8760

decal112-8760

1. Risque de projection d'objets – tenez les spectateurs à bonne distance de la machine.
2. Risque de coupure/mutilation des mains ou des pieds – ne vous approchez pas des pièces mobiles.

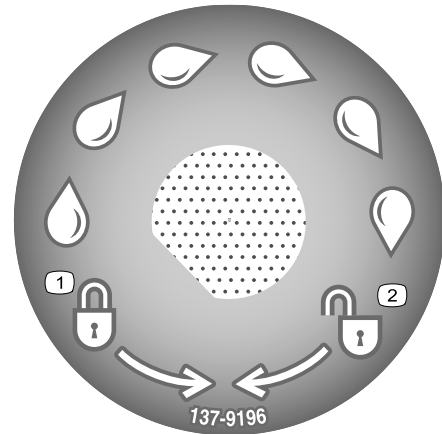


119-2283

decal119-2283

119-2283

1. Hauteur de coupe



137-9196

decal137-9196

137-9196

1. Verrouillage
2. Déverrouillage

Mise en service

Important: Retirez et mettez au rebut la pellicule de plastique qui protège le moteur ainsi que tout autre emballage ou élément en plastique utilisé sur la machine.

1

Dépliage du guidon

Aucune pièce requise

Procédure

⚠ ATTENTION

Vous risquez d'endommager les câbles et de rendre l'utilisation de la machine dangereuse si vous pliez ou dépliez mal le guidon.

- Veillez à ne pas endommager les câbles en pliant ou dépliant le guidon.
- Si un câble est endommagé, contactez un concessionnaire-réparateur agréé.

1. Desserrez les boutons du guidon (Figure 3).

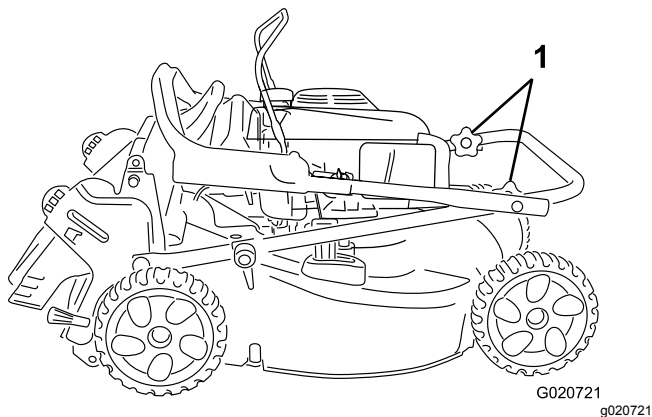


Figure 3

1. Boutons de guidon

2. Dépliez la moitié supérieure du guidon vers l'avant jusqu'à ce que les deux moitiés soient dans le prolongement l'une de l'autre et s'emmanchent ensemble correctement, comme montré à la Figure 4.

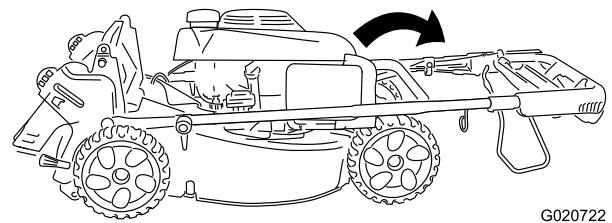


Figure 4

3. Serrez solidement les boutons du guidon à la main.
4. Faites pivoter le guidon en arrière en position d'utilisation et verrouillez-le à la hauteur qui vous convient. Voir [Réglage de la hauteur du guidon](#) (page 8).

2

Montage du câble du lanceur dans le guide

Aucune pièce requise

Procédure

Important: Pour démarrer le moteur facilement et en toute sécurité chaque fois que vous utilisez la machine, placez le câble du lanceur dans le guide.

Maintenez la barre de commande de la lame contre la partie supérieure du guidon et tirez le câble à travers le guide sur le guidon (Figure 5).

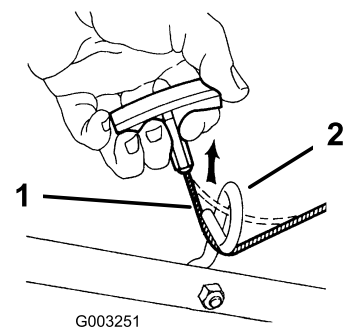


Figure 5

1. Câble du lanceur
2. Guide-câble

3

Plein d'huile moteur

Aucune pièce requise

Procédure

Important: Le carter moteur de cette machine est vide à la livraison. Avant de mettre le moteur en marche, faites le plein d'huile moteur.

Huile moteur spécifiée

Capacité d'huile moteur	0,55 l
Viscosité d'huile	Huile détergente SAE 30 ou SAE 10W-30
Classe de service API	SJ ou mieux

1. Amenez la machine sur un sol plat et horizontal.
2. Tournez le bouchon dans le sens antihoraire et sortez la jauge (Figure 6).

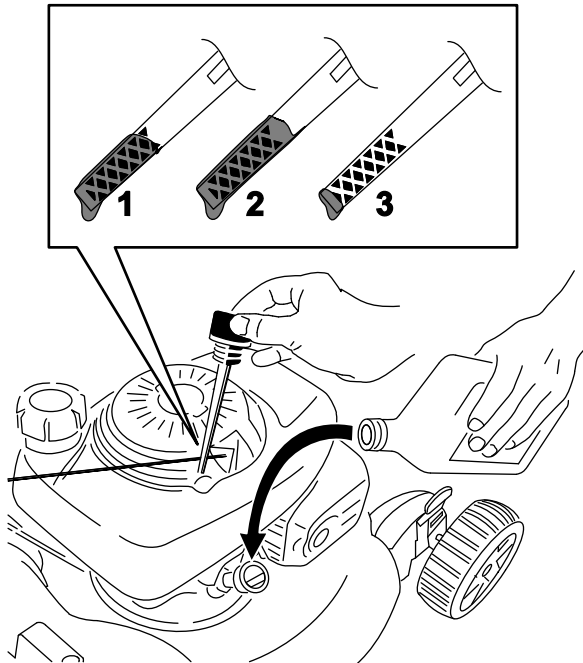


Figure 6

g238622

1. Niveau max.
2. Niveau trop élevé
3. Niveau min.

3. Versez avec précaution environ 75 % de la capacité d'huile moteur dans le tube de remplissage d'huile.
4. Attendez 3 minutes pour donner le temps à l'huile de se stabiliser dans le moteur.
5. Essuyez la jauge sur un chiffon propre.

6. Insérez la jauge au fond du tube de remplissage, sans la visser, puis ressortez-la.

7. Relevez le niveau d'huile indiqué sur la jauge (Figure 6).
 - Si le niveau n'atteint pas le repère minimum sur la jauge, versez lentement une petite quantité d'huile dans le tube de remplissage, attendez 3 minutes puis répétez les opérations 5 à 7 jusqu'à atteindre un niveau d'huile correct.
 - Si le niveau d'huile est trop élevé, vidangez l'excédent d'huile jusqu'à obtention du niveau d'huile correct sur la jauge ; voir [Vidange de l'huile moteur](#) (page 16).

Important: Si vous faites tourner le moteur alors que le niveau d'huile dans le carter est trop bas ou trop élevé, vous risquez d'endommager le moteur.

8. Insérez et vissez solidement la jauge dans le tube de remplissage.

4

Montage du bac à herbe

Aucune pièce requise

Procédure

1. Glissez le bac sur l'armature, comme montré à la Figure 7.

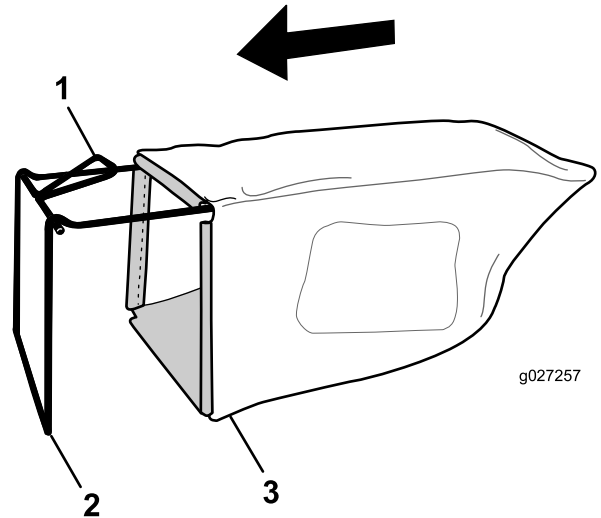


Figure 7

g027257

1. Poignée
2. Armature
3. Bac à herbe

g027257

Remarque: Ne faites pas passer le bac sur le guidon (Figure 7).

2. Accrochez la glissière inférieure du bac au bas de l'armature (Figure 8).

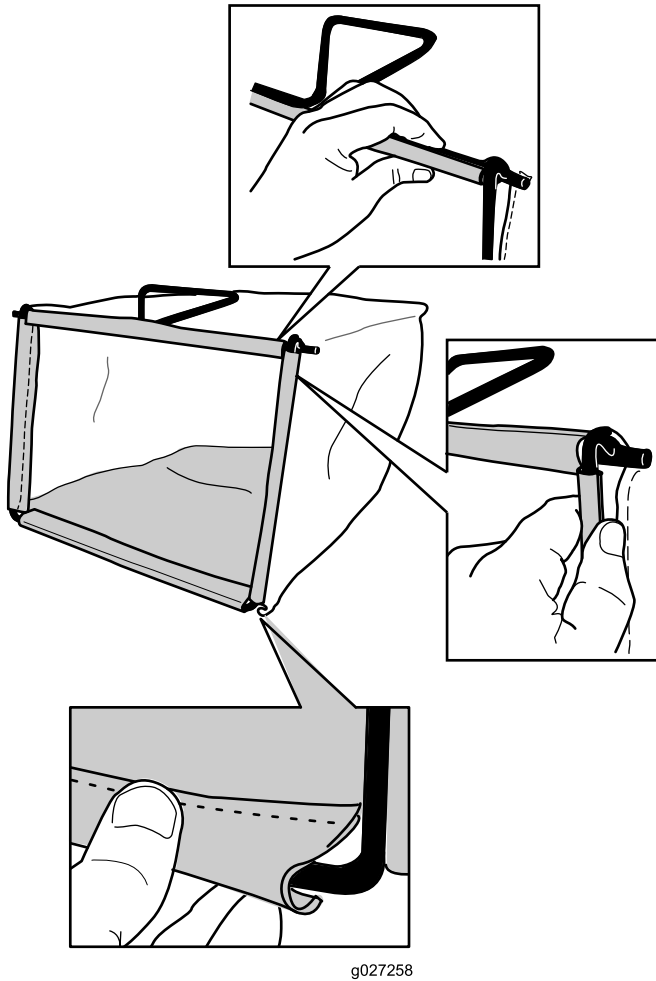


Figure 8

3. Accrochez les glissières supérieur et latérales du bac au sommet et sur les côtés de l'armature respectivement (Figure 8).

Vue d'ensemble du produit

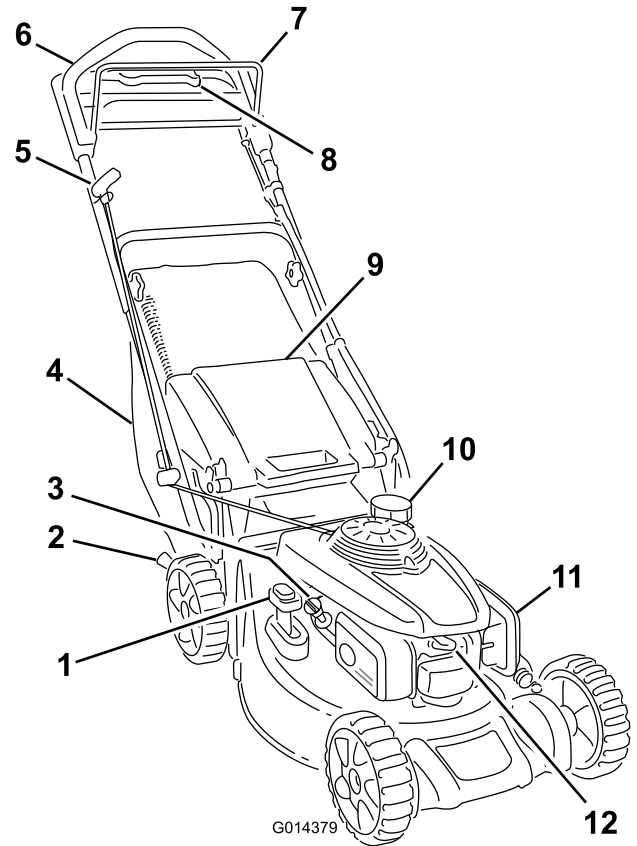


Figure 9

- | | |
|--|---------------------------------------|
| 1. Levier de commande de ramassage sur demande | 7. Barre de commande de la lame |
| 2. Levier de hauteur de coupe (2) | 8. Poignée d'aide au déplacement |
| 3. Tube de remplissage/jauge | 9. Volet de déflecteur arrière |
| 4. Bac à herbe | 10. Bouchon du réservoir de carburant |
| 5. Poignée du lanceur | 11. Filtre à air |
| 6. Partie supérieure du guidon | 12. Bougie |

Caractéristiques techniques

Modèle	Poids	Longueur	Largeur	Hauteur
20837	38 kg	152 cm	53 cm	109 cm

Utilisation

Remarque: Les côtés gauche et droit de la machine sont déterminés d'après la position d'utilisation normale.

Avant l'utilisation

Contrôles de sécurité avant l'utilisation

Consignes de sécurité générales

- Familiarisez-vous avec le maniement correct du matériel, les commandes et les symboles de sécurité.
- Vérifiez toujours que les capots et les dispositifs de sécurité, comme les déflecteurs et/ou les bacs à herbe, sont en place et fonctionnent correctement.
- Vérifiez toujours que les lames, boulons de lames et ensembles de coupe ne sont pas usés ni endommagés.
- Examinez la zone de travail et enlevez tout objet pouvant gêner le fonctionnement de la machine ou être rejeté pendant son utilisation.
- Pendant le réglage de la hauteur de coupe, vous risquez de toucher la lame en mouvement et de vous blesser gravement.
 - Coupez le moteur, enlevez la clé de contact (modèle à démarrage électrique seulement) et attendez l'arrêt complet de toutes les pièces mobiles.
 - Ne mettez pas les doigts sous le carter de la tondeuse quand vous réglez la hauteur de coupe.

Consignes de sécurité concernant le carburant

- Le carburant est extrêmement inflammable et hautement explosif. Un incendie ou une explosion par du carburant peut vous brûler, ainsi que les personnes se tenant à proximité, et causer des dommages matériels.
 - Pour éviter que l'électricité statique n'enflamme le carburant, posez le récipient et/ou la machine directement sur le sol avant de faire le plein ; ne la laissez pas dans un véhicule ou sur un support quelconque.
 - Faites le plein du réservoir de carburant à l'extérieur, dans un endroit bien dégagé, lorsque le moteur est froid. Essayez tout carburant répandu.

- Ne fumez jamais quand vous manipulez du carburant et tenez-vous à l'écart des flammes nues ou des sources d'étincelles.
- N'enlevez pas le bouchon du réservoir de carburant et n'ajoutez pas de carburant quand le moteur tourne ou est encore chaud.
- Si vous renversez du carburant, ne mettez pas le moteur en marche à cet endroit. Évitez de créer des sources d'inflammation jusqu'à dissipation complète des vapeurs de carburant.
- Conservez le carburant dans un récipient homologué et hors de la portée des enfants.
- Le carburant est toxique et même mortel en cas d'ingestion. L'exposition prolongée aux vapeurs de carburant peut causer des blessures et des maladies graves.
 - Évitez de respirer les vapeurs de carburant de façon prolongée.
 - N'approchez pas les mains ni le visage du pistolet ou de l'ouverture du réservoir de carburant.
 - N'approchez pas le carburant des yeux et de la peau.

Remplissage du réservoir de carburant

- Pour assurer le fonctionnement optimal de la machine, utilisez uniquement de l'essence sans plomb propre et fraîche avec un indice d'octane de 87 ou plus (méthode de calcul $[R+M]/2$).
- L'utilisation de carburant oxygéné contenant jusqu'à 10 % d'éthanol ou 15 % de MTBE par volume est tolérée.
- N'utilisez **pas** de mélanges d'essence à l'éthanol (E15 ou E85 par exemple) avec plus de 10 % d'éthanol par volume. Cela peut entraîner des problèmes de performances et/ou des dégâts du moteur qui ne sont pas couverts par la garantie.
- N'utilisez **pas** d'essence contenant du méthanol.
- Ne stockez **pas** le carburant dans le réservoir ou dans des bidons de carburant pendant l'hiver, à moins d'y ajouter un stabilisateur de carburant.
- N'ajoutez **pas** d'huile à l'essence.

Faites le plein avec de l'essence sans plomb ordinaire fraîche d'une marque réputée (Figure 10).

Important: Pour réduire les problèmes de démarrage, ajoutez un stabilisateur à l'essence pendant toute la saison de coupe. Mélangez le stabilisateur à de l'essence stockée depuis moins d'un mois.

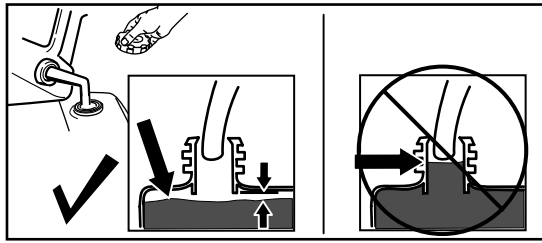


Figure 10

g230458

Contrôle du niveau d'huile moteur

Périodicité des entretiens: À chaque utilisation ou une fois par jour

1. Amenez la machine sur un sol plat et horizontal.
2. Tournez le bouchon dans le sens antihoraire et sortez la jauge (Figure 11).

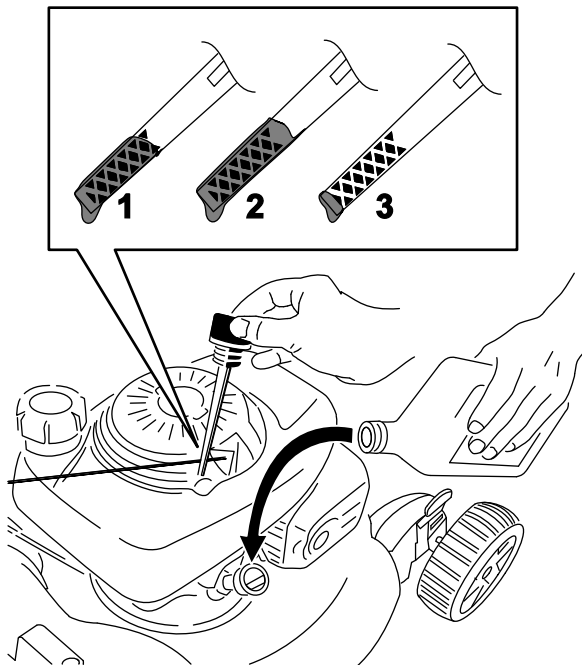


Figure 11

g238622

1. Niveau max.
2. Niveau trop élevé
3. Niveau min.

3. Essuyez la jauge sur un chiffon propre.
4. Insérez la jauge au fond du tube de remplissage, sans la visser, puis ressortez-la.
5. Relevez le niveau d'huile indiqué sur la jauge (Figure 11).

- Si le niveau d'huile est trop bas, (Figure 11), versez avec précaution une petite quantité d'huile détergente SAE 30 ou SAE 10W-30

dans le tube de remplissage, attendez 3 minutes puis répétez les opérations 3 à 5 jusqu'à ce que le niveau d'huile correct soit atteint.

- Si le niveau d'huile est trop élevé (Figure 11), vidangez l'excédent d'huile jusqu'à obtention du niveau d'huile correct sur la jauge ; voir [Vidange de l'huile moteur \(page 16\)](#).

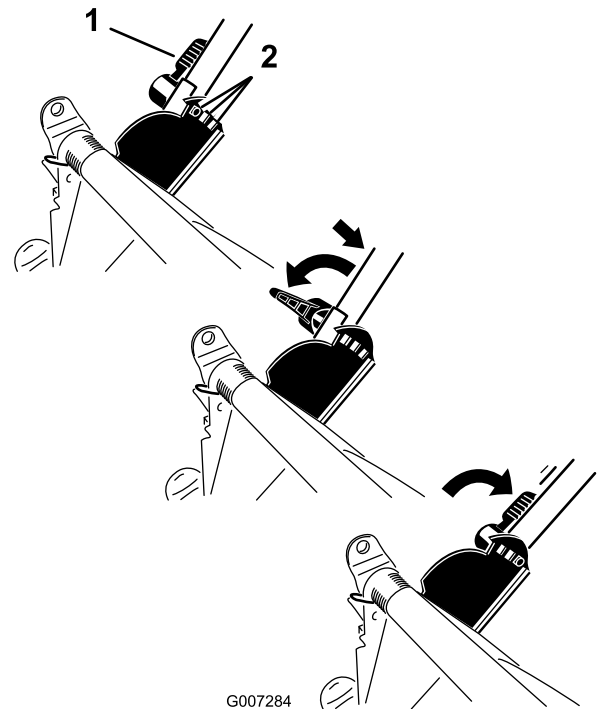
Important: Si vous faites tourner le moteur alors que le niveau d'huile dans le carter est trop bas ou trop élevé, vous risquez d'endommager le moteur.

6. Insérez et vissez solidement la jauge dans le tube de remplissage.

Réglage de la hauteur du guidon

Vous pouvez élever ou abaisser le guidon à la position qui vous convient le mieux.

Tournez le verrou du guidon, réglez le guidon à l'une de trois positions, puis verrouillez-le à cette position (Figure 12).



G007284

g007284

Figure 12

1. Verrou du guidon
2. Positions du guidon

Réglage de la hauteur de coupe

Choisissez la hauteur de coupe voulue. Réglez tous les leviers de hauteur de coupe à la même hauteur. Pour élever et abaisser la machine, voir [Figure 13](#).

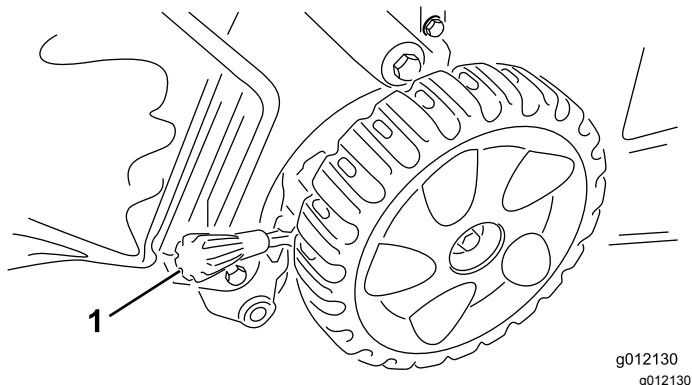


Figure 13

1. Levier de hauteur de coupe

Important: Les hauteurs de coupe suivantes sont disponibles : 25 mm, 38 mm, 51 mm, 64 mm, 83 mm, 95 mm et 108 mm.

Pendant l'utilisation

Consignes de sécurité pendant l'utilisation

Consignes de sécurité générales

- Portez des vêtements appropriés, y compris une protection oculaire, un pantalon, des chaussures solides à semelle antidérapante et des protecteurs d'oreilles. Attachez les cheveux longs et les vêtements amples, et ne portez pas de bijoux pendants.
- N'utilisez pas la machine si vous êtes fatigué, malade ou sous l'emprise de l'alcool, de drogues ou de médicaments.
- La lame est tranchante et vous pouvez vous blesser gravement à son contact. Avant de quitter la position d'utilisation, retirez la clé de contact (modèle à démarrage électrique seulement) et attendez l'arrêt complet de toutes les pièces mobiles.
- Lorsque vous relâchez la barre de commande de la lame, le moteur et la lame doivent s'arrêter en moins de 3 secondes. Si ce n'est pas le cas, cessez immédiatement d'utiliser la machine et adressez-vous à un concessionnaire-réparateur agréé.
- Tenez tout le monde, en particulier les jeunes enfants, à l'écart de la zone de travail. Arrêtez la machine si quelqu'un entre dans la zone de travail.
- Vérifiez toujours que la voie est libre juste derrière la machine et sur sa trajectoire avant de faire marche arrière.
- N'utilisez la machine que si la visibilité est suffisante et les conditions météorologiques favorables. N'utilisez pas la machine si la foudre menace.
- En travaillant sur l'herbe ou les feuilles humides, vous risquez de glisser et de vous blesser gravement si vous touchez la lame en tombant. Évitez de tondre quand l'herbe est humide.
- Soyez particulièrement prudent à l'approche de tournants sans visibilité, de buissons, d'arbres ou d'autres objets susceptibles de masquer la vue.
- Méfiez-vous des trous, ornières, bosses, rochers ou autres obstacles cachés. Les irrégularités du terrain peuvent provoquer le retournement de la machine ou vous faire perdre l'équilibre.
- Si la machine a heurté un obstacle ou commence à vibrer, coupez immédiatement le moteur, retirez la clé (selon l'équipement), attendez l'arrêt complet de toutes les pièces mobiles et débranchez le fil de la bougie avant de vérifier si la machine n'est pas

endommagée. Effectuez toutes les réparations nécessaires avant de réutiliser la machine.

- Avant de quitter la position d'utilisation, coupez le moteur, retirez la clé de contact (modèle à démarrage électrique seulement) et attendez l'arrêt de toutes les pièces mobiles.
- Si le moteur vient de tourner, le silencieux est très chaud et peut vous brûler gravement. Ne vous approchez pas du silencieux encore chaud.
- Vérifiez fréquemment l'état des composants du bac à herbe et de la goulotte d'éjection, et remplacez les pièces usées ou endommagées par les pièces recommandées par le constructeur.
- Utilisez uniquement les accessoires et équipements agréés par The Toro® Company.

Consignes de sécurité pour l'utilisation sur des pentes

- Travaillez transversalement à la pente, jamais en montant ou descendant. Soyez extrêmement prudent lorsque vous changez de direction sur un terrain en pente.
- Ne tondez pas de pentes trop raides. Vous pourriez glisser et vous blesser en tombant.
- Faites preuve de prudence quand vous tondez à proximité de dénivellations, fossés ou berges.

Démarrage du moteur

1. Maintenez la barre de commande des lames contre le guidon (A de [Figure 14](#)).
2. Tirez légèrement la poignée du lanceur jusqu'à ce que vous sentiez une résistance, puis tirez vigoureusement et laissez le lanceur se rétracter lentement jusqu'au guide-câble sur le guidon (B de [Figure 14](#)).

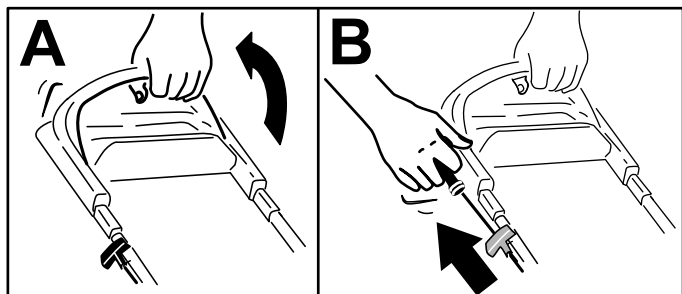


Figure 14

Remarque: Si le moteur ne démarre pas après plusieurs tentatives, contactez un concessionnaire-réparateur agréé.

Utilisation de la commande d'autopropulsion

Pour actionner l'autopropulsion, il vous suffit d'avancer, les mains sur la partie supérieure du guidon et les coudes serrés ; la machine avance automatiquement à votre rythme ([Figure 15](#)).

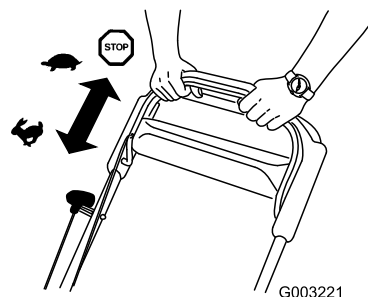


Figure 15

Remarque: Si vous avez des difficultés à faire reculer la machine après avoir utilisé l'autopropulsion, immobilisez-vous, laissez vos mains en place et laissez la machine avancer de quelques centimètres pour désengager la transmission aux roues. Vous pouvez aussi essayer d'atteindre la poignée en métal, située juste sous la partie supérieure du guidon, et de pousser la machine en avant sur quelques centimètres. Si vous avez des difficultés à faire reculer la machine, contactez un concessionnaire-réparateur agréé.

Arrêt du moteur

Périodicité des entretiens: À chaque utilisation ou une fois par jour

Pour arrêter le moteur, relâchez la barre de commande de la lame.

Important: Lorsque vous relâchez la barre de commande de la lame, le moteur et la lame doivent s'arrêter en moins de 3 secondes. Si ce n'est pas le cas, cessez immédiatement d'utiliser la machine et adressez-vous à un concessionnaire-réparateur agréé.

Recyclage de l'herbe coupée

À la livraison, votre machine est prête à recycler l'herbe et les feuilles coupées pour nourrir votre pelouse.

Remarque: Le bac à herbe peut rester sur la machine pendant le recyclage de l'herbe coupée.

Pour recycler l'herbe coupée, placez le levier de ramassage sur demande en position RECYCLAGE (Figure 16).

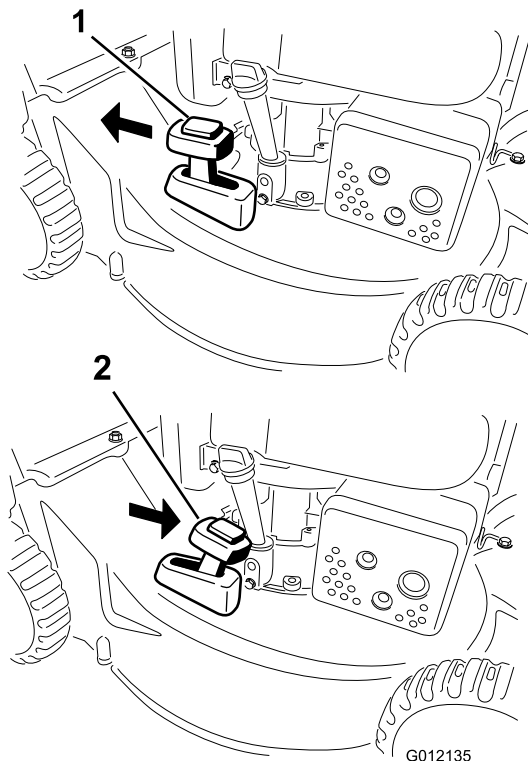


Figure 16

1. Position RECYCLAGE 2. Position RAMASSAGE

Ramassage de l'herbe coupée

Utilisez le bac à herbe pour recueillir les débris d'herbe et de feuilles déposés sur la pelouse.

⚠ ATTENTION

Si le bac de ramassage est usé, des gravillons ou autres débris similaires peuvent être projetés vers vous ou des personnes à proximité, et causer des blessures graves ou mortelles.

Contrôlez fréquemment le bac à herbe. S'il est endommagé, remplacez-le par un bac Toro neuf d'origine.

⚠ ATTENTION

La lame est tranchante et vous pouvez vous blesser gravement à son contact.

Coupez le moteur et attendez l'arrêt complet de toutes les pièces mobiles avant de quitter la position d'utilisation.

1. Coupez le moteur et attendez l'arrêt complet de toutes les pièces mobiles.
2. Montez le bac à herbe ; voir [Montage du bac à herbe \(page 11\)](#) et amenez le levier de ramassage sur demande en position de RAMASSAGE, comme montré à la [Figure 16](#).

Montage du bac à herbe

1. Coupez le moteur et attendez l'arrêt complet de toutes les pièces mobiles.
2. Soulevez et bloquez le déflecteur arrière, placez le bac dans les encoches et abaissez le déflecteur ([Figure 17](#)).

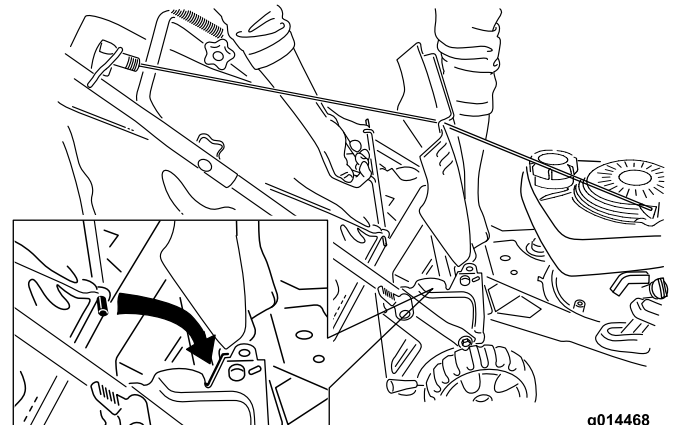


Figure 17

Retrait du bac à herbe

1. Coupez le moteur et attendez l'arrêt complet de toutes les pièces mobiles.
2. Soulevez le bac à herbe pour l'enlever du guidon.

Remarque: Inclinez légèrement le bac en arrière pour éviter de faire tomber l'herbe qu'il contient.

Éjection arrière de l'herbe coupée

Utilisez l'éjection arrière quand vous tondez de l'herbe très haute.

Remarque: Si le bac à herbe est monté sur la machine, enlevez-le avant de procéder à l'éjection arrière de l'herbe coupée ; voir [Retrait du bac à herbe \(page 12\)](#). Le levier de ramassage sur demande doit être en position RAMASSAGE comme montré à la [Figure 16](#).

⚠ ATTENTION

La lame est tranchante et vous pouvez vous blesser gravement à son contact.

Coupez le moteur et attendez l'arrêt complet de toutes les pièces mobiles avant de quitter la position d'utilisation.

Conseils d'utilisation

Conseils de tonte généraux

- Inspectez la zone de travail et débarrassez-la de tout objet pouvant être projeté par la machine.
- Évitez de heurter des obstacles avec la lame. Ne passez jamais intentionnellement sur un objet quel qu'il soit.
- Si la machine a heurté un obstacle ou commence à vibrer, coupez immédiatement le moteur, retirez la clé (selon l'équipement), débranchez le fil de la bougie et vérifiez si la machine n'est pas endommagée.
- Pour obtenir des résultats optimaux, remplacez la lame au début de la saison de tonte.
- Remplacez la lame dès que nécessaire par une lame Toro d'origine.

La tonte

- Ne tondez l'herbe que sur un tiers de sa hauteur à chaque fois. N'utilisez pas une hauteur de coupe inférieure à 51 mm, sauf si l'herbe est clairsemée ou à la fin de l'automne quand la pousse commence à ralentir.
- Si l'herbe fait plus de 15 cm, effectuez un premier passage à vitesse réduite à la hauteur de coupe la plus haute. Effectuez ensuite un deuxième passage à une hauteur de coupe inférieure pour obtenir une coupe plus esthétique. L'herbe trop haute risque d'obstruer la machine et de faire caler le moteur.
- L'herbe et les feuilles humides ont tendance à s'agglomérer sur la pelouse et peuvent obstruer la machine et faire caler le moteur. Évitez de tondre quand l'herbe est humide.
- Soyez conscient des risques d'incendie par temps très sec, respectez tous les avertissements locaux relatifs aux incendies, et ne laissez pas l'herbe et les feuilles sèches s'accumuler sur la machine.
- Alternez la direction de la tonte. Cela permet de disperser les déchets plus uniformément et d'obtenir une fertilisation plus homogène.
- Si l'aspect de la pelouse tondu n'est pas satisfaisant, essayez une ou plusieurs des solutions suivantes :
 - Remplacez la lame ou faites-la aiguiser.
 - Tondez en avançant plus lentement.
 - Augmentez la hauteur de coupe.
 - Tondez plus souvent.
 - Empiétez sur les passages précédents pour tondre une largeur de bande réduite.

Hachage des feuilles

- Après la tonte, 50 % de la pelouse doit être visible sous la couche de feuilles hachées. Vous devrez peut-être repasser plusieurs fois sur les feuilles.
- Si la couche de feuilles sur la pelouse fait plus de 13 cm d'épaisseur, utilisez une hauteur de coupe plus élevée, puis faites un second passage à la hauteur de coupe désirée.
- Ralentez la vitesse de tonte si les feuilles ne sont pas hachées assez menues.

Après l'utilisation

Consignes de sécurité après l'utilisation

Consignes de sécurité générales

- Pour éviter les risques d'incendie, enlevez les brins d'herbe et autres débris qui sont agglomérés sur la machine. Nettoyez les coulées éventuelles d'huile ou de carburant.
- Laissez refroidir le moteur avant de ranger la machine dans un local fermé.
- Ne remisez jamais la machine ni les bidons de carburant à proximité d'une flamme nue, d'une source d'étincelles ou d'une veilleuse, telle celle d'un chauffe-eau ou d'autres appareils.

Consignes de sécurité pour le transport

- Retirez la clé de contact (selon l'équipement) avant de charger la machine pour le transport.
- Faites preuve de prudence pour le chargement ou le déchargement de la machine.
- Empêchez la machine de rouler.

Nettoyage du dessous de la machine

Périodicité des entretiens: À chaque utilisation ou une fois par jour

Pour obtenir des résultats optimaux, nettoyez rapidement la machine après la tonte.

1. Abaissez la machine à la hauteur de coupe la plus basse. Voir [Réglage de la hauteur de coupe](#) (page 9).
2. Garez la machine sur un sol plat et horizontal.

3. Branchez un tuyau d'arrosage, relié à une arrivée d'eau, au raccord de lavage ([Figure 18](#)).

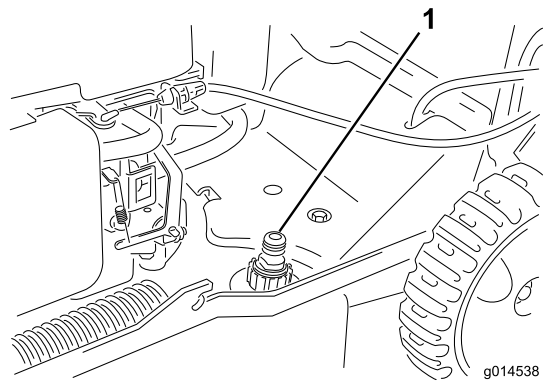


Figure 18

1. Raccord de lavage

4. Ouvrez l'arrivée d'eau.
5. Mettez le moteur en marche et laissez-le tourner jusqu'à ce qu'il ne reste plus d'herbe sous la machine.
6. Coupez le moteur.
7. Coupez l'eau et débranchez le tuyau d'arrosage du raccord de lavage.
8. Mettez le moteur en marche et laissez-le tourner quelques minutes pour sécher le dessous de la machine.
9. Arrêtez le moteur et laissez-le refroidir.

Pliage du guidon

⚠ ATTENTION

Vous risquez d'endommager les câbles et de rendre l'utilisation de la machine dangereuse si vous pliez ou dépliez mal le guidon.

- **Veillez à ne pas endommager les câbles en pliant ou dépliant le guidon.**
- **Si un câble est endommagé, contactez un concessionnaire-réparateur agréé.**

1. Desserrez les boutons du guidon.
2. Faites pivoter tout le guidon en avant ([Figure 19](#)).

Important: Repoussez les câbles à l'extérieur des boutons pendant que vous pliez la moitié supérieure du guidon.

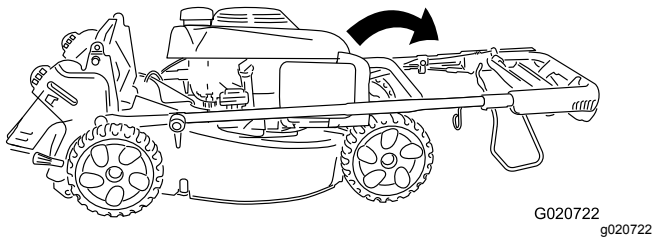


Figure 19

G020722
g020722

-
3. Rabattez la partie supérieure du guidon vers le moteur ; voir [Figure 20](#).

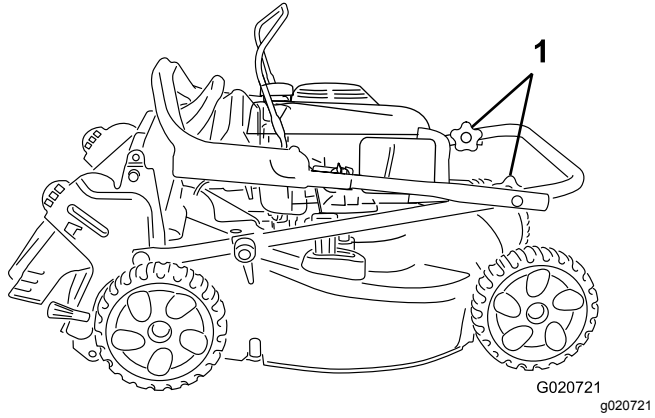


Figure 20

G020721
g020721

1. Boutons de guidon
-

Entretien

Programme d'entretien recommandé

Périodicité d'entretien	Procédure d'entretien
Après les 5 premières heures de fonctionnement	<ul style="list-style-type: none">• Vidangez l'huile moteur.
À chaque utilisation ou une fois par jour	<ul style="list-style-type: none">• Contrôle du niveau d'huile moteur.• Vérifiez que le moteur s'arrête dans les 3 secondes suivant le relâchement de la barre de commande de la lame.• Enlevez l'herbe coupée et autres débris accumulés sous la machine.
Toutes les 100 heures	<ul style="list-style-type: none">• Faites l'entretien de la bougie.
Une fois par an	<ul style="list-style-type: none">• Faites l'entretien du filtre à air.• Vidangez l'huile moteur.• Remplacez la lame ou faites-la aiguiser (plus souvent si elle s'émousse rapidement).• Nettoyez le moteur en enlevant les saletés et les débris sur le sommet et les côtés ; nettoyez-le plus fréquemment si vous travaillez dans une atmosphère poussiéreuse.
Une fois par an ou avant le remisage	<ul style="list-style-type: none">• Vidangez le réservoir de carburant avant le remisage annuel et avant les réparations qui le nécessitent.

Important: Reportez-vous au manuel du propriétaire du moteur pour toutes procédures d'entretien supplémentaires.

Consignes de sécurité pendant l'entretien

- Débranchez le fil de la bougie avant de procéder à un quelconque entretien.
- Portez des gants et une protection oculaire pour faire l'entretien de la machine.
- La lame est tranchante et vous pouvez vous blesser gravement à son contact. Portez des gants pour effectuer l'entretien de la lame. Ne réparez pas et ne modifiez pas les lames.
- N'enlevez pas et ne modifiez pas les dispositifs de sécurité. Vérifiez régulièrement qu'ils fonctionnent correctement.
- Du carburant peut s'échapper lorsque la machine est basculée sur le côté. Le carburant est inflammable et explosif, et peut causer des blessures. Laissez tourner le moteur jusqu'à ce qu'il s'arrête faute de carburant ou vidangez le reste de carburant avec une pompe manuelle, jamais avec un siphon.
- Pour garantir un rendement optimal et la sécurité continue de la machine, utilisez uniquement des pièces de rechange et accessoires Toro d'origine. Les pièces de rechange et accessoires provenant d'autres constructeurs peuvent être dangereux, et leur utilisation risque d'annuler la garantie de la machine.

Préparation à l'entretien

1. Coupez le moteur et attendez l'arrêt complet de toutes les pièces mobiles.
2. Débranchez le fil de la bougie (Figure 21).

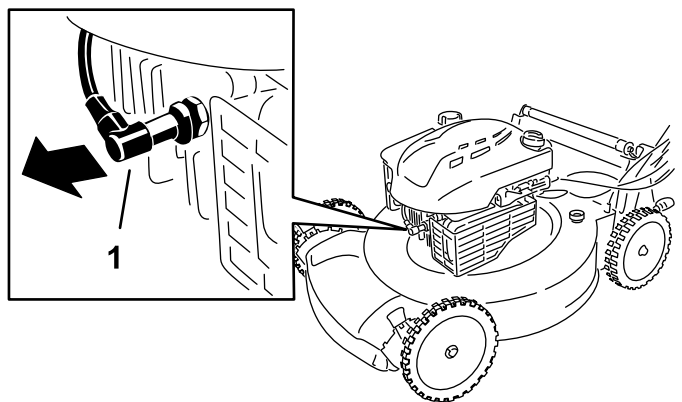


Figure 21

g238653

1. Fil de bougie

3. Rebranchez le fil de la bougie une fois l'entretien terminé.

Important: Avant de basculer la machine pour vidanger l'huile ou remplacer la lame, laissez le moteur en marche jusqu'à ce qu'il s'arrête faute de carburant. Si vous ne pouvez pas attendre que le moteur s'arrête par manque de carburant, utilisez une pompe manuelle pour vider le reste de carburant.

Basculez toujours la machine sur le côté (jauge en bas).

Entretien du filtre à air

Périodicité des entretiens: Une fois par an

1. Appuyez sur les languettes de verrouillage en haut du couvercle du filtre à air (Figure 22).

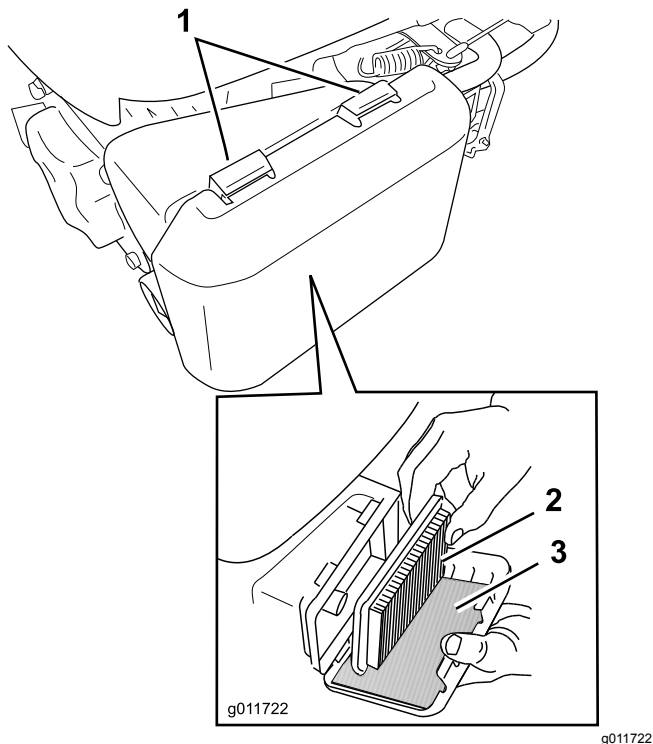


Figure 22

1. Languettes de verrouillage
2. Élément en papier du filtre à air
3. Préfiltre en mousse

2. Ouvrez le couvercle.
3. Retirez l'élément en papier et le préfiltre en mousse (Figure 22).
4. Vérifier l'état du préfiltre en mousse et remplacez-le s'il est endommagé ou excessivement encrassé.
5. Examinez l'élément en papier.
 - Remplacez le filtre à air s'il est endommagé ou humidifié par de l'huile ou de l'essence.
 - Si le filtre à air est encrassé, tapotez-le à plusieurs reprises sur une surface dure ou soufflez de l'air comprimé à moins de 2,07 bar par le côté du filtre qui est face au moteur.

Remarque: Ne brossez pas le filtre pour le débarrasser des impuretés, car cela aura pour effet d'incruster les impuretés dans les fibres.

6. Avec un chiffon humide, essuyez la poussière sur le boîtier et le couvercle du filtre à air.

Important: Ne faites pas pénétrer de poussière dans le conduit d'air.

7. Insérez le préfiltre en mousse et l'élément en papier dans le filtre à air.
8. Remettez le couvercle en place.

Vidange de l'huile moteur

Périodicité des entretiens: Après les 5 premières heures de fonctionnement

Une fois par an

Remarque: Faites tourner le moteur pendant quelques minutes avant la vidange pour réchauffer l'huile. L'huile chaude s'écoule plus facilement et entraîne plus d'impuretés.

Huile moteur spécifiée

Capacité d'huile moteur	0,55 l
Viscosité d'huile	Huile détergente SAE 30 ou SAE 10W-30
Classe de service API	SJ ou mieux

1. Amenez la machine sur un sol plat et horizontal.
2. Voir [Préparation à l'entretien \(page 15\)](#).
3. Tournez le bouchon dans le sens antihoraire et sortez la jauge (Figure 23).

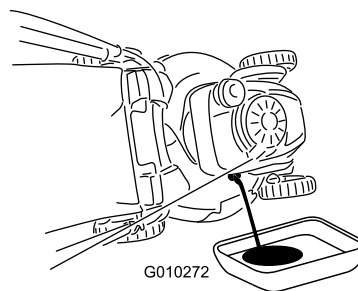


Figure 23

4. Basculez la machine sur le côté (filtre à air en haut) pour vidanger l'huile usagée par le tube de remplissage (Figure 23).

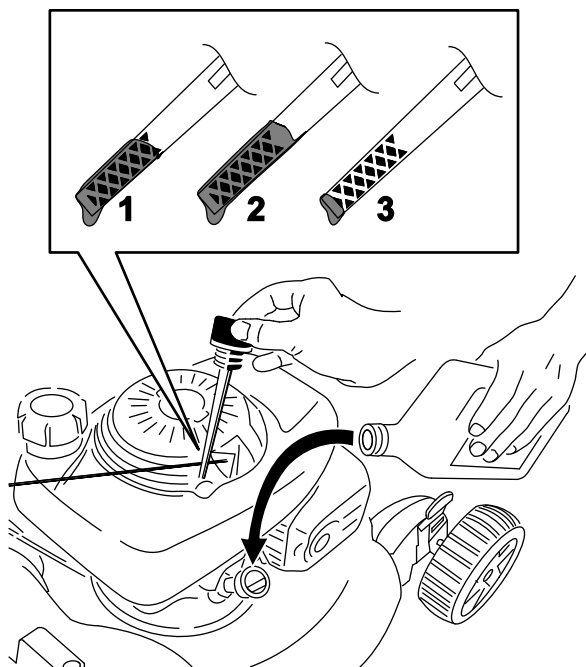


Figure 24

g238622

1. Niveau max.
2. Niveau trop élevé
3. Niveau min.

5. Redressez la machine après avoir vidangé l'huile usagée.
6. Versez avec précaution 75 % environ de la capacité d'huile moteur dans le tube de remplissage d'huile.
7. Attendez 3 minutes pour donner le temps à l'huile de se stabiliser dans le moteur.
8. Essuyez la jauge sur un chiffon propre.
9. Insérez la jauge au fond du tube de remplissage, **sans la visser**, puis ressortez-la.
10. Relevez le niveau d'huile indiqué sur la jauge ([Contrôle du niveau d'huile moteur \(page 8\)](#)).
 - Si le niveau n'atteint pas le repère minimum sur la jauge, versez lentement une petite quantité d'huile dans le tube de remplissage, attendez 3 minutes puis répétez les opérations 8 à 10 jusqu'à atteindre un niveau d'huile correct.
 - Si le niveau d'huile est trop élevé, vidangez l'excédent d'huile jusqu'à ce que la jauge indique le niveau correct.

Important: Si vous faites tourner le moteur alors que le niveau d'huile dans le carter est trop bas ou trop élevé, vous risquez d'endommager le moteur.

11. Insérez et vissez solidement la jauge dans le tube de remplissage.

12. Recyclez l'huile usagée conformément à la réglementation locale en matière d'environnement.

Entretien de la bougie

Périodicité des entretiens: Toutes les 100 heures

Utilisez une bougie **Champion RN9YC** ou de type équivalent.

1. Coupez le moteur et attendez l'arrêt complet de toutes les pièces mobiles.
2. Débranchez le fil de la bougie ([Figure 21](#)).
3. Nettoyez la surface autour de la bougie.
4. Retirez la bougie de la culasse.

Important: Remplacez la bougie si elle est fissurée, calaminée ou encrassée. Ne nettoyez pas les électrodes, car des particules pourraient tomber dans la culasse et endommager le moteur.

5. Réglez l'écartement des électrodes à 0,76 mm, comme montré à la [Figure 25](#).

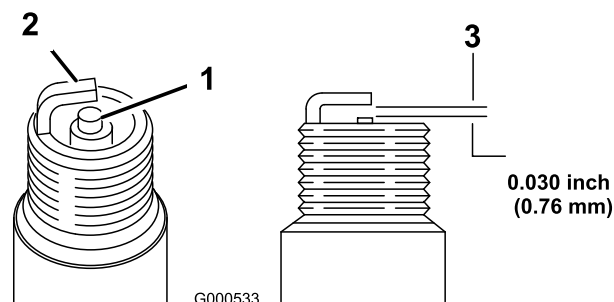


Figure 25

G000533

g000533

1. Bec isolant d'électrode centrale
2. Électrode latérale
3. Écartement (pas à l'échelle)

6. Posez la bougie.
7. Serrez la bougie à 20 N·m.
8. Rebranchez le fil de la bougie.

Remplacement de la lame

Périodicité des entretiens: Une fois par an

Important: Vous aurez besoin d'une clé dynamométrique pour monter la lame correctement. Si vous n'en possédez pas ou si vous ne vous sentez pas capable d'effectuer cette procédure, adressez-vous à un concessionnaire-réparateur agréé.

Examinez l'état de la lame chaque fois que le réservoir de carburant est vide. Si la lame est endommagée ou fêlée, remplacez-la immédiatement. Si la lame est émoussée ou ébréchée, faites-la aiguiser et équilibrer ou remplacez-la.

⚠ ATTENTION

La lame est tranchante et vous pouvez vous blesser gravement à son contact.

Portez des gants pour effectuer l'entretien de la lame.

1. Voir [Préparation à l'entretien \(page 15\)](#).
2. Basculez la machine sur le côté (filtre à air en haut).
3. Immobilisez la lame avec un morceau de bois ([Figure 26](#)).

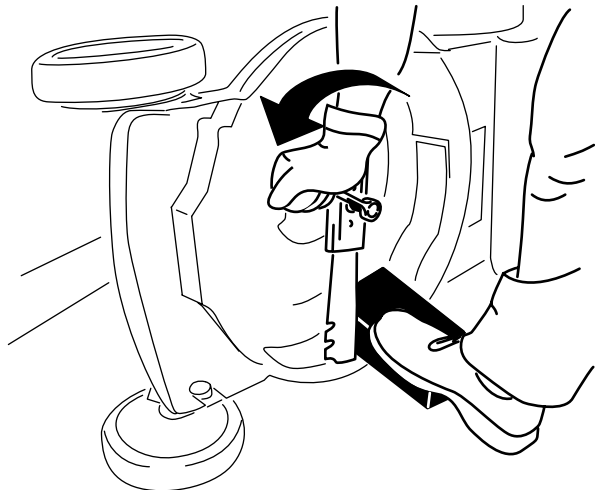


Figure 26

g231389

4. Déposez la lame mais ne jetez pas les fixations ([Figure 26](#)).
5. Montez la nouvelle lame et toutes les fixations ([Figure 27](#)).

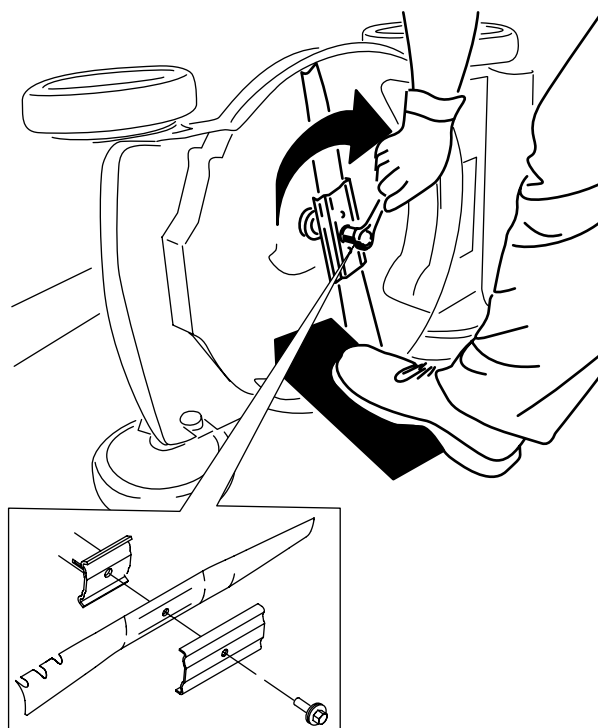


Figure 27

g231390

6. **Important:** Les extrémités relevées de la lame doivent être dirigées vers la tondeuse.
À l'aide d'une clé dynamométrique, serrez le boulon de la lame à 82 N·m.

Important: Un boulon vissé à 82 N·m est très serré. Bloquez la lame avec une cale en bois, appuyez de tout votre poids sur le rochet ou la clé, et serrez le boulon solidement. Il est pratiquement impossible de trop serrer ce boulon.

Remisage

Remisez la machine dans un local frais, propre et sec.

6. Remplissez le réservoir de carburant neuf ; voir [Remplissage du réservoir de carburant \(page 7\)](#).
7. Rebranchez le fil de la bougie.

Préparation de la machine au remisage

1. Lors du dernier plein de l'année, ajoutez du stabilisateur (tel l'additif de traitement Toro Premium) au carburant frais selon les indications de l'étiquette.
2. Débarrassez-vous correctement du carburant inutilisé. Recyclez-le conformément à la réglementation locale ou utilisez-le dans une voiture.

Remarque: La présence de carburant trop vieux dans le réservoir est la principale cause des problèmes de démarrage. Ne conservez pas le carburant non traité plus de 30 jours et le carburant traité plus de 90 jours.

3. Laissez tourner le moteur de la machine jusqu'à ce qu'il s'arrête faute de carburant.
4. Remettez le moteur en marche et laissez-le tourner jusqu'à ce qu'il s'arrête. Le moteur est suffisamment sec lorsqu'il n'y a plus moyen de le faire démarrer.
5. Débranchez le fil de la bougie et branchez-le au plot de retenue (selon l'équipement).
6. Retirez la bougie et versez 30 ml d'huile moteur dans l'orifice. Tirez ensuite la poignée du lanceur lentement à plusieurs reprises pour bien répartir l'huile à l'intérieur du cylindre et empêcher celui-ci de rouiller pendant le remisage de la machine.
7. Reposez la bougie sans la serrer.
8. Serrez tous les écrous, boulons et vis.

Remise en service après remisage

1. Contrôlez et resserrez toutes les fixations.
2. Déposez la bougie et faites tourner le moteur rapidement en tirant sur la poignée du lanceur pour éliminer l'excédent d'huile dans le cylindre.
3. Reposez et serrez la bougie à 20 N·m à l'aide d'une clé dynamométrique.
4. Procédez aux entretiens ; voir [Entretien \(page 15\)](#).
5. Contrôlez le niveau d'huile moteur ; voir [Contrôle du niveau d'huile moteur \(page 8\)](#).

Déclaration de confidentialité européenne

Les renseignements recueillis par Toro

Toro Warranty Company (Toro) respecte votre vie privée. Pour nous permettre de traiter votre réclamation au titre de la garantie et de vous contacter dans l'éventualité d'un rappel de produit, nous vous prions de nous communiquer certains renseignements personnels, soit directement soit par l'intermédiaire de votre société ou concessionnaire Toro local(e).

Le système de garantie de Toro est hébergé sur des serveurs situés aux États-Unis où la loi relative à la protection de la vie privée n'offre pas forcément la même protection que dans votre pays.

EN NOUS FOURNISSANT DES RENSEIGNEMENTS PERSONNELS, VOUS CONSENTEZ À CE QUE NOUS LES TRAITIONS COMME DÉCRIT DANS LE PRÉSENT AVIS DE CONFIDENTIALITÉ.

L'utilisation des renseignements par Toro

Toro peut utiliser vos renseignements personnels pour traiter vos réclamations au titre de la garantie et vous contacter dans l'éventualité d'un rappel de produit, ainsi que pour vous communiquer toute information nécessaire. Toro pourra partager les renseignements personnels que vous lui aurez communiqués avec les filiales, concessionnaires ou autres associés Toro en rapport avec ces activités. Nous ne vendrons vos renseignements personnels à aucune autre société. Nous nous réservons le droit de divulguer des renseignements personnels afin de satisfaire aux lois applicables et aux demandes des autorités concernées, pour assurer l'utilisation correcte de nos systèmes ou votre protection et celle d'autres usagers.

Conservation de vos renseignements personnels

Nous conserverons vos renseignements personnels uniquement pendant la durée nécessaire pour répondre aux fins pour lesquelles nous les avons collectés ou autres fins légitimes (comme la conformité réglementaire), ou conformément à la loi en vigueur.

Engagement de Toro relatif à la sécurité de vos renseignements personnels

Nous prenons toutes les précautions raisonnables pour protéger la sécurité de vos renseignements personnels. Nous prenons également les mesures nécessaires pour que vos renseignements personnels restent exacts et à jour.

Consultation et correction de vos renseignements personnels

Si vous souhaitez vérifier ou modifier vos renseignements personnels, veuillez nous contacter par courriel à legal@toro.com.

Droit australien de la consommation

Les clients australiens trouveront les détails concernant le Droit australien de la consommation à l'intérieur de l'emballage ou auprès de leur concessionnaire Toro local.



48 cm Super Recycler® gazonmaaier

Modelnr.: 20837—Serienr.: 401500000 en hoger

Gebruikershandleiding

Inleiding

Deze loopmaaier met draaiende messen is bedoeld voor gebruik door particulieren. De machine is voornamelijk ontworpen voor het maaien van gras op goed onderhouden particuliere gazons. De machine is niet ontworpen voor het maaien van struikgewas of voor gebruik in de landbouw.

Lees deze informatie zorgvuldig door, zodat u weet hoe u de machine op de juiste wijze moet gebruiken en onderhouden en om letsel en schade aan de machine te voorkomen. U bent verantwoordelijk voor het juiste en veilige gebruik van de machine.

U kunt rechtstreeks contact opnemen met Toro via www.Toro.com voor informatie over producten en accessoires, om een dealer te vinden of om uw product te registreren.

Als u service, originele Toro onderdelen of aanvullende informatie nodig hebt, kunt u contact opnemen met een erkende servicedealer of met de klantenservice van Toro. U dient hierbij altijd het modelnummer en het serienummer van het product te vermelden. De locatie van het plaatje met het modelnummer en het serienummer van het product is aangegeven op [Figuur 1](#). U kunt de nummers noteren in de ruimte hieronder.

Belangrijk: U kunt met uw mobiel apparaat de QR-code op het plaatje met het serienummer (indien aanwezig) scannen om toegang te krijgen tot de garantie, onderdelen en andere productinformatie.



Figuur 1

1. Plaats van modelnummer en serienummer

Modelnr.:	_____
Serienr.:	_____

Er worden in deze handleiding een aantal mogelijke gevaren en een aantal veiligheidsberichten genoemd ([Figuur 2](#)) met de volgende waarschuwingssymbolen, die duiden op een gevaarlijke situatie die zwaar lichamelijk letsel of de dood tot gevolg kan hebben wanneer de veiligheidsvoorschriften niet in acht worden genomen.



Figuur 2

Waarschuwingssymbool

g000502

Er worden in deze handleiding twee woorden gebruikt om uw aandacht op bijzondere informatie te vestigen. **Belangrijk** attendeert u op bijzondere technische informatie en **Opmerking** duidt algemene informatie aan die bijzondere aandacht verdient.

Dit product voldoet aan alle relevante Europese richtlijnen; zie voor details de aparte productspecifieke conformiteitsverklaring.

Bruto- en nettokoppel: Het bruto- en nettokoppel van deze motor is door de motorfabrikant in laboratoriumomstandigheden gemeten volgens standaard J1940 of J2723 van de Society of Automotive Engineers (SAE). Omdat bij de configuratie rekening is gehouden met de veiligheids- en gebruiksvoorschriften, zal dit type maaiers in de praktijk een veel lager motorkoppel hebben. Raadpleeg de informatie van de motorfabrikant die wordt meegeleverd met de machine.

Gelieve niet te knoeien met de veiligheidsvoorzieningen of deze uit te schakelen. Controleer ook regelmatig dat deze nog werken. Probeer het afgesteld motortoerental niet te veranderen, anders kan er een onveilige situatie ontstaan waardoor u letsel kunt oplopen.

Inhoud

Inleiding	1
Veiligheid	2
Algemene veiligheid	2
Veiligheids- en instructiestickers	3



Veiligheid

Deze machine is ontworpen in overeenstemming met de EN-norm ISO 5395:2013.

Algemene veiligheid

Dit product kan handen of voeten afsnijden en voorwerpen uitwerpen. Volg altijd alle veiligheidsinstructies op om ernstig letsel te voorkomen.

Gebruik van dit product voor andere doeleinden dan deze kan gevaarlijk zijn voor u of omstanders.

- Voordat u de motor start, moet u de instructies en waarschuwingen in deze *Gebruikershandleiding* en op de machine en de werktuigen lezen, begrijpen en uitvoeren.
- Houd uw handen en voeten uit de buurt van bewegende onderdelen van of onder de machine. Blijf altijd uit de buurt van afvoeropeningen.
- Gebruik de machine niet als er schermen of andere beveiligingsmiddelen ontbreken of als deze niet werken.
- Houd omstanders en kinderen op een veilige afstand van de machine. Laat kinderen nooit de machine bedienen. Laat enkel mensen die verantwoordelijk en getraind zijn en die bovendien vertrouwd zijn met de instructies en fysiek ertoe in staat zijn de machine bedienen.
- Stop de machine, zet de motor uit en wacht totdat alle bewegende onderdelen tot stilstand zijn gekomen voordat u servicewerkzaamheden uitvoert, brandstof bijvult of verstoppingen verwijdert.

Onjuist gebruik of onderhoud van deze machine kan letsel tot gevolg hebben. Om het risico op letsel te verkleinen, dient u zich aan de volgende veiligheidsinstructies te houden en altijd op het veiligheidssymbool te letten, dat betekent Voorzichtig, Waarschuwing of Gevaar – instructie voor persoonlijke veiligheid. Niet-naleving van deze instructies kan leiden tot lichamelijk of dodelijk letsel.

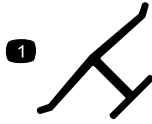
U vindt bijkomende veiligheidsinformatie waar nodig in deze handleiding.

Montage	4
1 De handgreep uitklappen	4
2 De startkoord aanbrengen in de koordgeleider	4
3 Carter met olie bijvullen	4
4 De grasvanger monteren	5
Algemeen overzicht van de machine	6
Specificaties	6
Gebruiksaanwijzing	7
Voor gebruik	7
Veiligheid vóór gebruik	7
Brandstoftank vullen	7
Het motoroliepeil controleren	8
Hoogte van handgreep instellen	8
De maaihoogte instellen	9
Tijdens gebruik	9
Veiligheid tijdens gebruik	9
Motor starten	10
De zelfaandrijving gebruiken	10
De motor afzetten	11
Maaisel recyclen	11
Het maaisel opvangen	11
Achteruitworp gebruiken	12
Tips voor bediening en gebruik	12
Na gebruik	13
Veiligheid na het werk	13
De onderkant van de machine reinigen	13
Handgreep inklappen	13
Onderhoud	15
Aanbevolen onderhoudsschema	15
De machine veilig onderhouden	15
Vorbereidingen voor onderhoudswerkzaamheden	15
Onderhoud van het luchtfilter	16
De motorolie verversen	16
Onderhoud van de bougie	17
Het maaimes vervangen	18
Stalling	19
Vorbereidingen voor stalling	19
De machine uit de stalling halen	19

Veiligheids- en instructiestickers



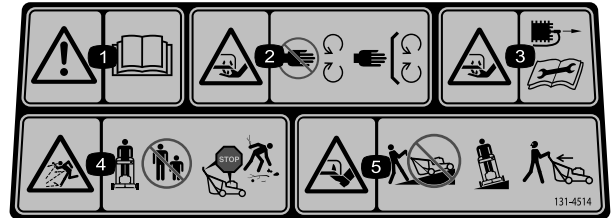
Veiligheidsstickers en veiligheidsinstructies zijn gemakkelijk zichtbaar voor de bestuurder en bevinden zich bij plaatsen waar gevaar kan ontstaan. Vervang alle beschadigde of ontbrekende stickers.



Merkteken van fabrikant

decaloemerket

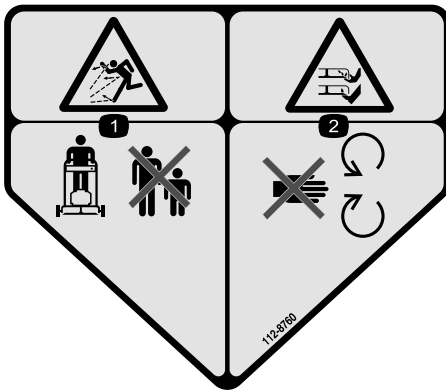
1. Dit merkteken geeft aan dat het mes onderdeel van een originele Toro maaimachine is.



decal131-4514b

131-4514

1. Waarschuwing – Lees de *Gebruikershandleiding*.
2. Handen of voeten kunnen worden gesneden/geamputeerd door het maaimes – Blijf uit de buurt van bewegende onderdelen; houd alle beschermende delen op hun plaats.
3. Handen kunnen worden gesneden/geamputeerd door het maaimes – Trek de bougiekabel los en raadpleeg de instructies vóór u service- of onderhoudswerkzaamheden uitvoert.
4. De machine kan voorwerpen uitwerpen – Hou omstanders op een veilige afstand van de machine; zet de motor af voordat u de bestuurderspositie verlaat; verwijder vuil voordat u gaat maaien.
5. Handen of voeten kunnen worden gesneden/geamputeerd door het maaimes – Maai nooit heuvelopwaarts en heuvelafwaarts; gebruik de machine dwars op hellingen; kijk achterom als u achteruitloopt.



decal112-8760

112-8760

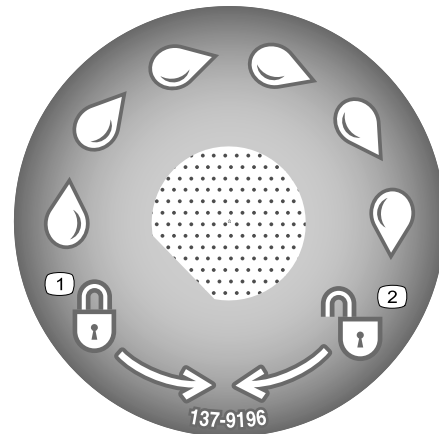
1. De machine kan voorwerpen uitwerpen – Houd omstanders op een veilige afstand van de machine.
2. Handen of voeten kunnen worden gesneden/geamputeerd – Blijf uit de buurt van bewegende onderdelen.



decal119-2283

119-2283

1. Maaihoogte



decal137-9196

137-9196

1. Vergrendelen
2. Ontgrendelen

Montage

Belangrijk: Verwijder het plastic waarmee de motor is afgedekt en eventueel ander plastic of verpakkingsmateriaal op de machine.

1

De handgreep uitklappen

Geen onderdelen vereist

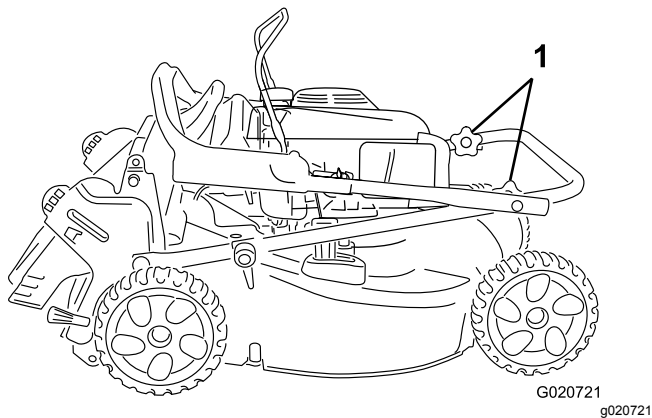
Procedure

⚠ WAARSCHUWING

Als de handgreep verkeerd wordt in- en uitgeklapt, kunnen de kabels schade oplopen, waardoor de machine niet veilig kan worden gebruikt.

- Zorg ervoor dat u de kabels niet beschadigt als u de handgreep in- of uitklapt.
- Indien een kabel is beschadigd, moet u contact opnemen met een erkende Service Dealer.

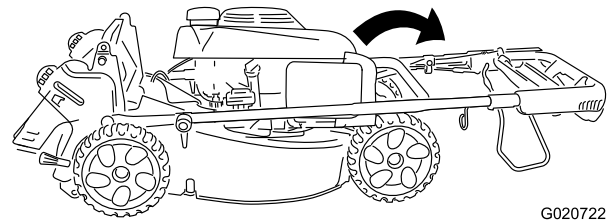
1. Draai de knoppen van de handgreep los (Figuur 3).



Figuur 3

1. Handgreepknoppen

2. Beweeg het bovenste deel van de handgreep voorzichtig naar voren totdat de helften van de handgreep in een lijn staan en laat ze dan in elkaar vallen (Figuur 4).



Figuur 4

3. Draai de knoppen met de hand stevig vast.
4. Draai de hendel naar achteren naar de bedieningsstand en vergrendel de hendel op de gewenste hoogte. Zie [Hoogte van handgreep instellen](#) (bladz. 8).

2

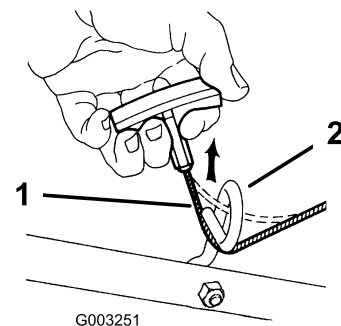
De startkoord aanbrengen in de koordgeleider

Geen onderdelen vereist

Procedure

Belangrijk: Om de motor veilig en snel te kunnen starten voor elk gebruik dient u de startkoord aan te brengen in de koordgeleider.

Houd de bedieningsstang tegen de bovenste handgreep en trek de startkoord door de koordgeleider aan de handgreep (Figuur 5).



Figuur 5

1. Startkoord
2. Koordgeleider

3

Carter met olie bijvullen

Geen onderdelen vereist

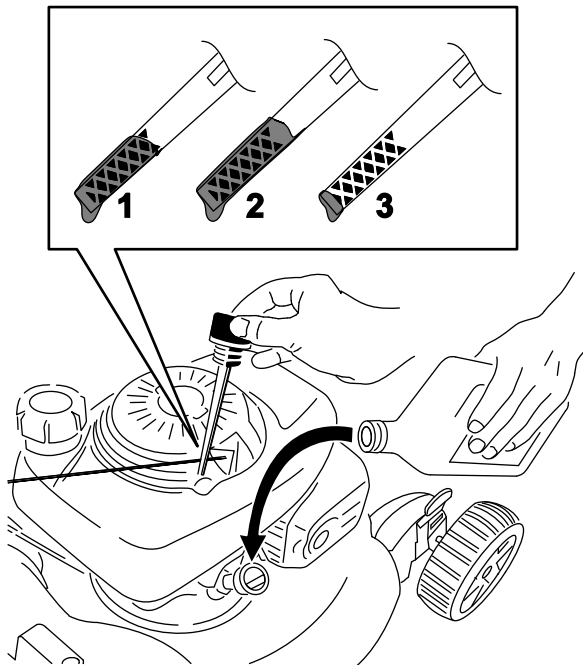
Procedure

Belangrijk: Uw machine wordt geleverd zonder olie in het carter. Vul het carter met olie voordat u de motor start.

Motorolietype

Motoroliecapaciteit	0,55 liter
Olieviscositeit	SAE 30 of SAE 10W-30 reinigingsolie
API-onderhoudsclassificatie	SJ of hoger

1. Plaats de machine op een horizontaal oppervlak.
2. Verwijder de peilstok door de dop linksom te draaien en eruit te trekken (Figuur 6).



Figuur 6

g238622

1. Vol
2. Hoog
3. Laag

3. Giet langzaam ongeveer $\frac{3}{4}$ van de inhoud van het oliecarter in de vulbuis.
4. Wacht 3 minuten tot de olie in de motor gezakt is.
5. Veeg de peilstok met een schone doek schoon.

6. Steek de peilstok in de vulbuis, maar draai hem er niet in. Verwijder dan de peilstok.
7. Lees het oliepeil af van de peilstok (Figuur 6).
 - Als het peil op de peilstok te laag staat, giet dan voorzichtig een kleine hoeveelheid olie in de vulbuis, wacht 3 minuten en herhaal stappen 5 tot en met 7 totdat de peilstok het juiste peil aangeeft.

- Als het oliepeil op de peilstok te hoog is, tapt u de overtollige olie af tot de peilstok het juiste oliepeil aangeeft; zie [De motorolie verversen \(bladz. 16\)](#).

Belangrijk: Als het oliepeil in het motor te hoog of te laag is en u laat de motor toch draaien, kunt u deze beschadigen.

8. Plaats de peilstok goed in de vulbuis.

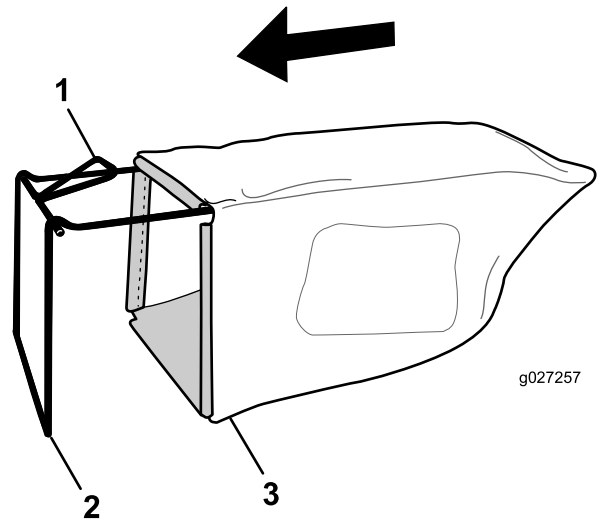
4

De grasvanger monteren

Geen onderdelen vereist

Procedure

1. Schuif de grasvanger over het frame; zie [Figuur 7](#).



Figuur 7

g027257

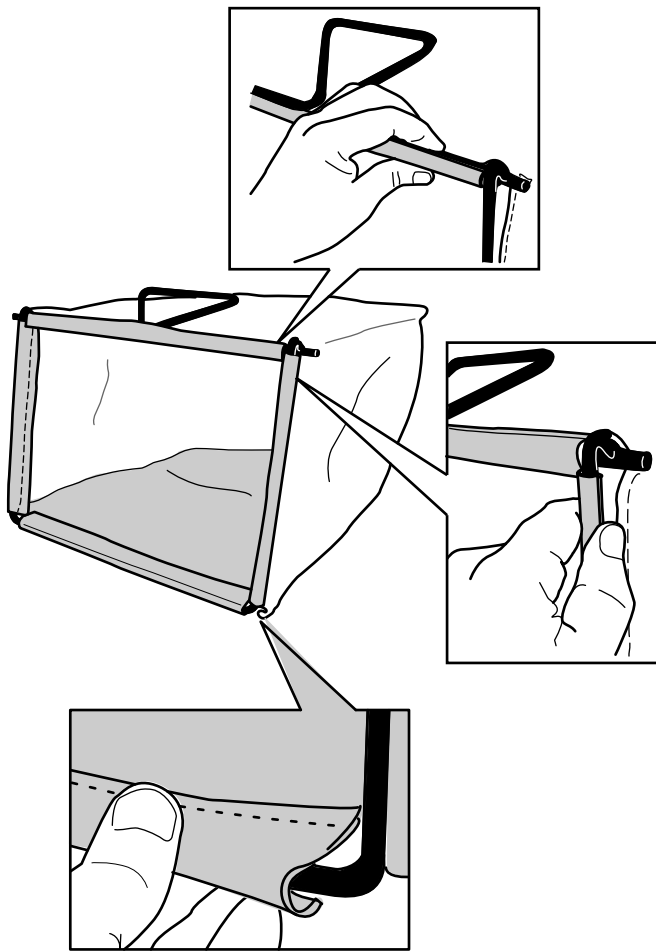
g027257

1. Handgreep
2. Frame
3. Grasvanger

Opmerking: Schuif de grasvanger niet over de handgreep (Figuur 7).

2. Haak het onderste kanaal van de grasvanger over de onderzijde van het frame (Figuur 8).

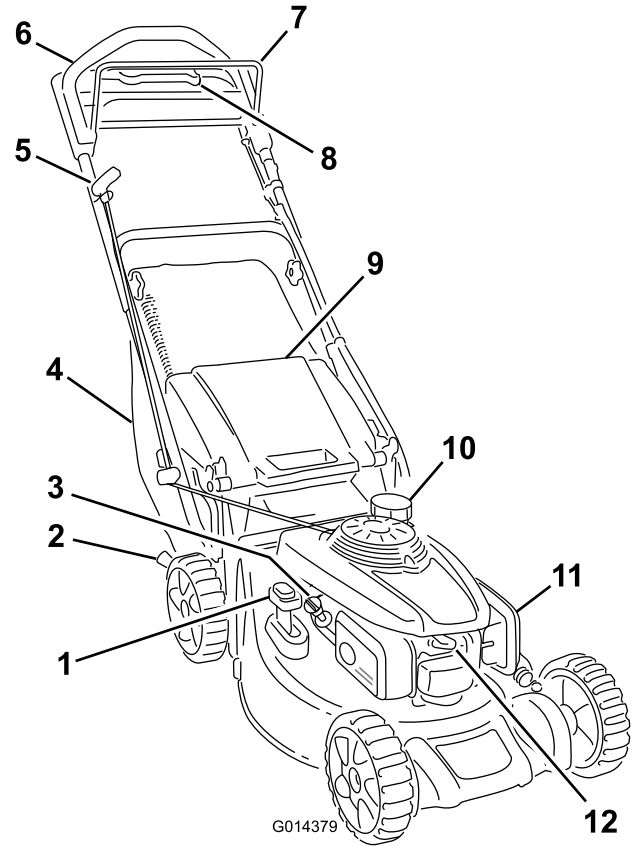
Algemeen overzicht van de machine



g027258

g027258

Figuur 8



G014379

12

g014379

Figuur 9

3. Haak het bovenste en de zijkanalen van de grasvanger achtereenvolgens over de bovenzijde en de zijkanten van het frame (Figuur 8).

- | | |
|-----------------------------------|--------------------------------|
| 1. Grasvangerhendel | 7. Bedieningsstang voor maimes |
| 2. Maaihoogtehendel (2) | 8. Handgreep tractiehulp |
| 3. Vulbuis/peilstok | 9. Achterafvoergeleider |
| 4. Grasvanger | 10. Dop van brandstoftank |
| 5. Handgreep van startkoord | 11. Luchtfiler |
| 6. Bovenste deel van de handgreep | 12. Bougie |

Specificaties

Type	Gewicht	Lengte	Breedte	Hoogte
20837	38 kg	152 cm	53 cm	109 cm

Gebruiksaanwijzing

Opmerking: Bepaal vanuit de normale bestuurderspositie de linker- en rechterzijde van de machine.

Voor gebruik

Veiligheid vóór gebruik

Algemene veiligheid

- Zorg ervoor dat u vertrouwd raakt met de bedieningsorganen en de veiligheidssymbolen, en weet hoe u de machine veilig kunt gebruiken.
- Controleer of de beschermplaten en veiligheidsvoorzieningen zoals grasgeleiders en/of de grasvanger op hun plaats zitten en naar behoren werken.
- Controleer de messen, bevestigingsbouten en het maaimechanisme altijd op slijtage of beschadiging.
- Controleer het werkgebied en verwijder alle voorwerpen die het gebruik van de machine zouden kunnen hinderen of die de machine zou kunnen uitwerpen.
- Bij het instellen van de maaihoogte kunt u in aanraking komen met een bewegend mes. Dit kan ernstig letsel veroorzaken.
 - Zet de motor af, verwijder het contactsleuteltje (alleen op model met elektrisch startsysteem) en wacht totdat alle bewegende onderdelen tot stilstand zijn gekomen.
 - Plaats uw vingers niet onder de maaikast als u de maaihoogte instelt.

Veilig omgaan met brandstof

- Brandstof is uiterst ontvlambaar en zeer explosief. Brand of explosie van brandstof kan brandwonden bij u of anderen en materiële schade veroorzaken.
 - Om te voorkomen dat een statische lading de brandstof tot ontbranding kan brengen, moet u het brandstofreservoir en/of de machine op de grond plaatsen voordat u de tank vult, niet op een voertuig of een ander object.
 - Vul de brandstoftank in de open lucht wanneer de motor koud is. Neem eventueel gemorste benzine op.
 - Rook niet als u omgaat met brandstof, en houd brandstof uit de buurt van open vuur of vonken.
 - Als de motor draait of heet is, mag de brandstoftankdop niet worden verwijderd

en mag de tank niet met brandstof worden bijgevuld.

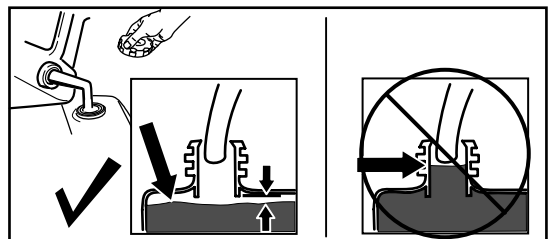
- Probeer de motor niet te starten als u brandstof morst. Zorg ervoor dat er geen ontstekingsbronnen in de buurt zijn totdat de brandstofdampen volledig zijn verdwenen.
- Bewaar brandstof in een goedgekeurd vat of blik en buiten bereik van kinderen.
- Brandstof is schadelijk of dodelijk bij inname. Langdurige blootstelling aan dampen kan leiden tot ernstig letsel en ziekte.
 - Voorkom dat u dampen lange tijd inademt.
 - Houd uw handen en gezicht uit de buurt van de vulpijp en de opening van de brandstoftank.
 - Houd brandstof uit de buurt van uw ogen en huid.

Brandstoftank vullen

- Gebruik voor de beste resultaten uitsluitend schone, verse, loodvrije benzine met een octaangetal van 87 of hoger (indelingsmethode (R+M)/2).
- Met zuurstof verrijkte benzine met ten hoogste 10% ethanol of 15% MTBE is geschikt.
- **Geen** ethanolmengsels van benzine gebruiken (zoals E15 of E85) met meer dan 10% ethanol per volume. Dit kan leiden tot verminderde prestaties en/of motorschade die mogelijk niet gedekt wordt door de garantie.
- **Geen** benzine gebruiken die methanol bevat.
- Tijdens de winter **geen** brandstof bewaren in de brandstoftank of in brandstofblikken, tenzij een stabilizer aan de brandstof werd toegevoegd.
- **Meng** nooit olie door benzine.

Vul de brandstoftank met verse loodvrije, normale benzine van een bekend merk (Figuur 10).

Belangrijk: Om startproblemen te verminderen, moet u het hele seizoen een stabilizer toevoegen aan de benzine. Meng de stabilizer met benzine die niet ouder is dan 30 dagen.



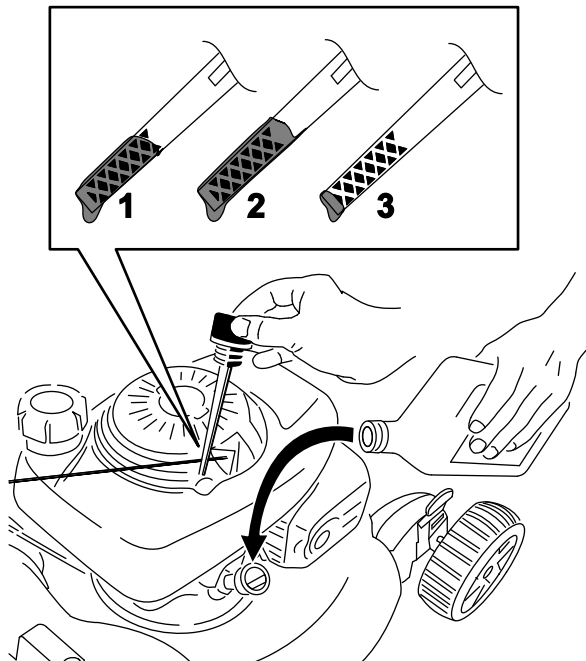
Figuur 10

g230458

Het motoroliepeil controleren

Onderhoudsinterval: Bij elk gebruik of dagelijks

1. Plaats de machine op een horizontaal oppervlak.
2. Verwijder de peilstok door de dop linksom te draaien en eruit te trekken (Figuur 11).



Figuur 11

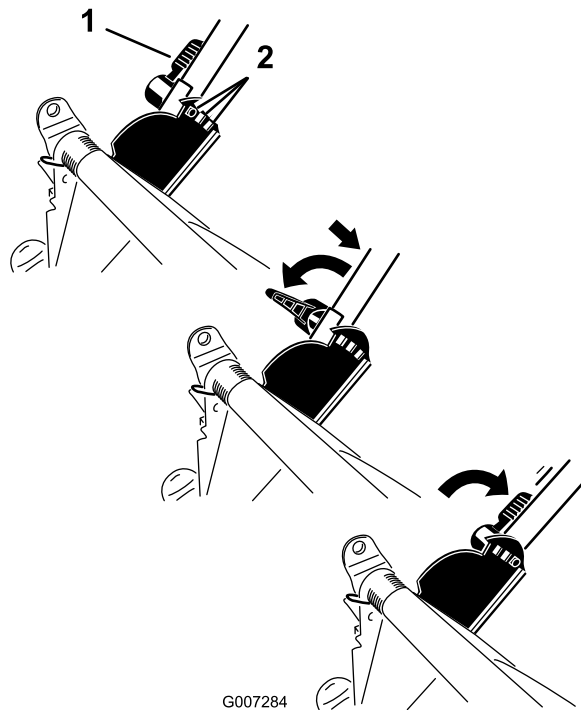
g238622

1. Vol
2. Hoog
3. Laag

Hoogte van handgreep instellen

U kunt de handgreep hoger of lager zetten in een stand die u comfortabel vindt.

Draai aan de handgreepvergrendeling, verplaats de handgreep naar één van de drie standen en vergrendel de handgreep (Figuur 12).



G007284

g007284

Figuur 12

1. Handgreepvergrendeling
2. Handgriepstanden

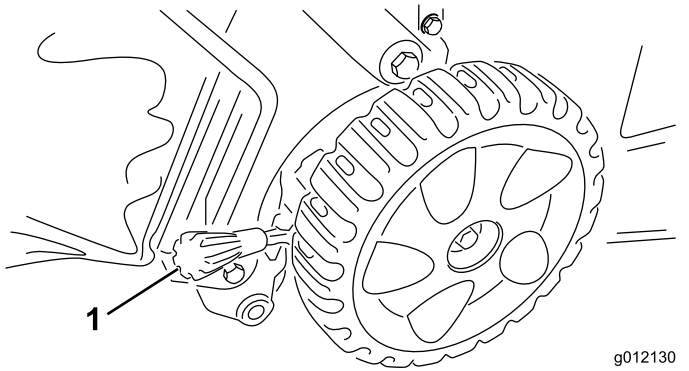
3. Veeg de peilstok met een schone doek schoon.
4. Steek de peilstok in de vulbuis, maar draai hem er niet in. Verwijder dan de peilstok.
5. Lees het oliepeil af van de peilstok (Figuur 11).
 - Als het oliepeil op de peilstok te laag is (Figuur 11), giet dan voorzichtig een kleine hoeveelheid SAE 30 of SAE 10W-30 reinigingsolie in de vulbuis, wacht 3 minuten en herhaal stappen 3 tot en met 5 totdat de peilstok het juiste peil aangeeft.
 - Als het oliepeil op de peilstok te hoog is (Figuur 11), tapt u de overtollige olie af totdat de peilstok het juiste peil aangeeft, zie [De motorolie verversen](#) (bladz. 16).

Belangrijk: Als het oliepeil in het motor te hoog of te laag is en u laat de motor toch draaien, kunt u deze beschadigen.

6. Plaats de peilstok goed in de vulbuis.

De maaihoogte instellen

Zet de maaihoogte op de gewenste stand. Zet alle maaihoogtehendels op dezelfde hoogte. Zie (Figuur 13) voor het hoger en lager stellen van de machine.



Figuur 13

1. Maaihoogtehendel

Belangrijk: De maaihoogte-instellingen zijn 25 mm, 38 mm, 51 mm, 64 mm, 83 mm, 95 mm en 108 mm.

Tijdens gebruik

Veiligheid tijdens gebruik

Algemene veiligheid

- Draag geschikte kleding en uitrusting, zoals oogbescherming, een lange broek, stevige schoenen met een gripvaste zool en gehoorbescherming. Draag lang haar niet los, steek losse kledingstukken goed vast en draag geen bungelende juwelen.
- Gebruik de machine niet als u ziek of moe bent of onder de invloed van alcohol of drugs bent.
- Het maaimes is scherp, contact met het maaimes kan ernstig lichamelijk letsel veroorzaken. Zet de motor af, verwijder het contactsleuteltje (alleen modellen met elektrisch startsysteem) en wacht totdat alle bewegende onderdelen tot stilstand zijn gekomen voordat u de bestuurderspositie verlaat.
- Als u de bedieningsstang loslaat, moeten de motor en het mes binnen 3 seconden stoppen. Als dit niet het geval is, mag u de machine niet meer gebruiken en moet u contact opnemen met een erkende servicedealer.
- Houd omstanders, in het bijzonder kleine kinderen, uit de buurt van het werkgebied. Stop de machine als iemand het werkgebied betreedt.
- Kijk altijd naar beneden en achterom voordat u achteruitrijdt.
- Gebruik de machine enkel bij een goede zichtbaarheid en in geschikte weersomstandigheden. Gebruik de machine niet als het kan bliksemen.
- Als u nat gras en natte bladeren maait, kunt u uitglijden, in aanraking komen met het mes en ernstig letsel oplopen. Gebruik de machine niet in vochtige omstandigheden.
- Wees uiterst voorzichtig bij het naderen van blinde hoeken, struiken, bomen en andere objecten die uw zicht kunnen belemmeren.
- Kijk uit voor gaten, geulen, hobbels, stenen of andere verborgen objecten. Op oneffen terrein kan de machine omslaan of u kunt uw evenwicht verliezen of wegglijden.
- Als de maaimachine toch een voorwerp raakt en begint te trillen, moet u meteen de motor afzetten, de contactsleutel verwijderen (indien de machine hiermee is uitgerust), wachten totdat alle bewegende onderdelen tot stilstand zijn gekomen en de bougiekabel losmaken voordat u de maaimachine op beschadiging controleert. Voer alle noodzakelijke reparaties uit voordat u de machine weer in gebruik neemt.

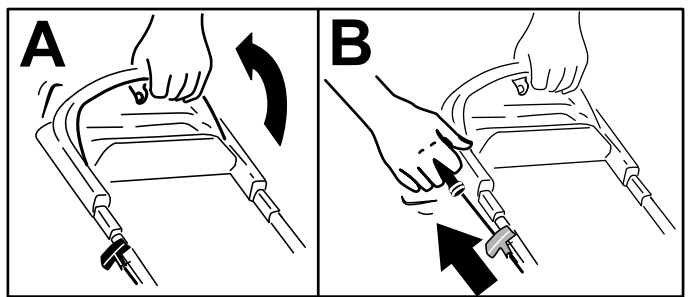
- Voordat u de bedieningspositie verlaat, moet u de motor afzetten, het contactsleuteltje verwijderen (alleen modellen met elektrisch startsysteem) en wachten tot alle bewegende onderdelen tot stilstand zijn gekomen.
- Als de motor heeft gelopen, kan de geluiddemper heet zijn en ernstige brandwonden veroorzaken. Blijf uit de buurt van een hete geluiddemper.
- Controleer de onderdelen van de grasvanger en het uitwerpkanaal regelmatig op slijtage en beschadiging en vervang ze indien nodig door onderdelen die de fabrikant heeft aanbevolen.
- Gebruik alleen accessoires en werktuigen die door The Toro® Company zijn goedgekeurd.

De machine veilig gebruiken op hellingen

- Maai met de helling mee, nooit helling op en af. Ga zeer zorgvuldig te werk als u van richting verandert op een helling.
- Maai niet op al te steile hellingen. Het niet goed neerzetten van de voeten kan ongevallen veroorzaken waarbij de gebruiker wegglijdt en ten val komt.
- Maai voorzichtig in de buurt van steile hellingen, greppels of dijken.

Motor starten

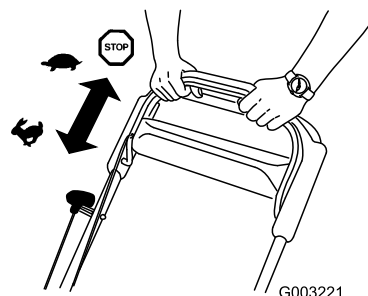
1. Houd de bedieningsstang van het maimes tegen de handgreep (A in [Figuur 14](#)).
2. Trek de handgreep van het startkoord langzaam uit tot u weerstand voelt, trek dan krachtig en laat de handgreep dan langzaam teruglopen naar de koordgeleider (B in [Figuur 14](#)).



Figuur 14

De zelfaandrijving gebruiken

Om de zelfaandrijving te activeren, loopt u eenvoudig vooruit met uw handen op het bovenste deel van de handgreep en uw ellebogen naast uw lichaam; de maaimachine richt zich automatisch naar uw loopsnelheid ([Figuur 15](#)).



Figuur 15

Opmerking: Als de maaimachine niet vrij naar achteren rolt na het inschakelen van de zelfaandrijving, sta dan stil, houd uw handen bij de handgreep en laat de maaimachine een paar centimeter naar voren rollen om het aandrijfsysteem uit te schakelen. U kunt ook de metalen hendel aanraken die zich net onder de bovenste handgreep bevindt en de machine een paar centimeter naar voren duwen. Als de maaimachine nog steeds niet naar achteren wil rollen, moet u contact opnemen met een erkende Service Dealer.

Opmerking: Als de motor na enkele pogingen niet wil starten, moet u contact opnemen met een erkende Service Dealer.

De motor afzetten

Onderhoudsinterval: Bij elk gebruik of dagelijks

Om de motor te stoppen moet u de bedieningsstang van het maimes loslaten.

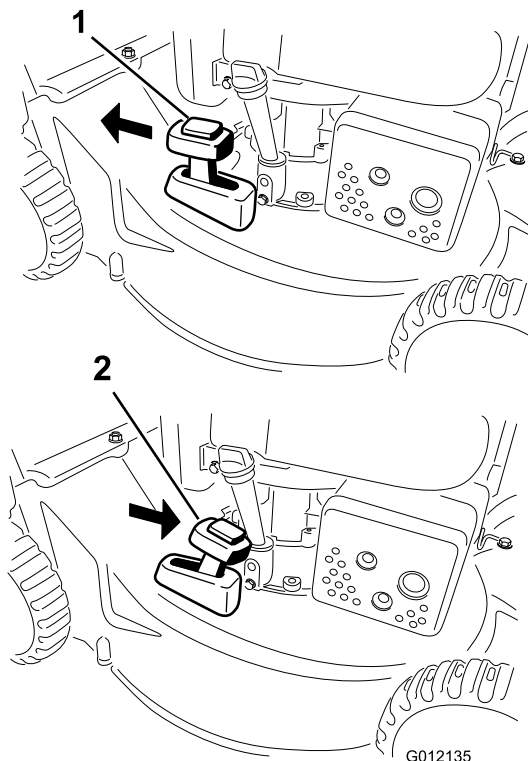
Belangrijk: Als u de bedieningsstang loslaat, moeten de motor en het mes binnen 3 seconden stoppen. Als dit niet gebeurt, mag u de machine niet verder gebruiken en moet u contact opnemen met een erkende servicedealer.

Maaisel recyclen

De machine kan maaisel en bladafval over het gazon verspreiden (recycling).

Opmerking: De grasvanger kan op de maaimachine blijven als u het maaisel gaat recyclen.

Om het maaisel te recyclen, zet u de grasvanghendel in de RECYCLESTAND (Figuur 16).



Figuur 16

1. RECYCLESTAND

2. GRASVANGSTAND

Het maaisel opvangen

Gebruik de grasvanger om maaisel en bladafval te verzamelen.

⚠ WAARSCHUWING

Een versleten grasvanger kan kleine steentjes en andere voorwerpen uitwerpen, waardoor u of omstanders ernstig lichamelijk of dodelijk letsel kunnen oplopen.

Controleer de grasvanger regelmatig. Plaats een nieuwe Toro grasvanger als de oude is beschadigd.

⚠ WAARSCHUWING

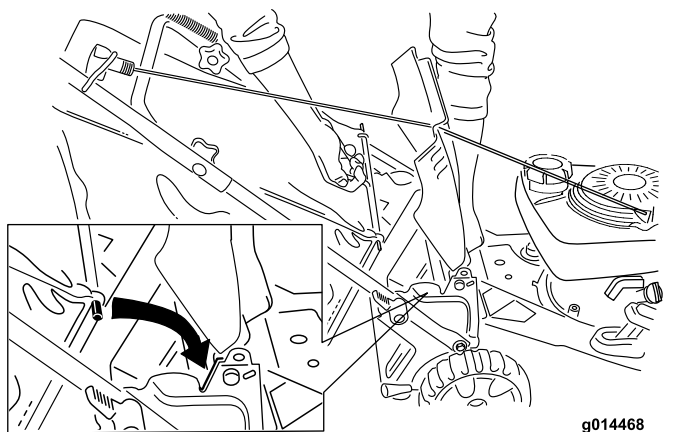
Het maimes is scherp, contact met het maimes kan ernstig lichamelijk letsel veroorzaken.

Zet de motor af en wacht totdat alle bewegende onderdelen tot stilstand zijn gekomen voordat u de bestuurderspositie verlaat.

1. Zet de motor uit en wacht totdat alle bewegende onderdelen tot stilstand gekomen zijn.
2. Plaats de grasvanger; zie [Montage van de grasvanger \(bladz. 11\)](#) en zet de grasvanghendel in de GRASVANGSTAND zoals getoond in [Figuur 16](#).

Montage van de grasvanger

1. Zet de motor uit en wacht totdat alle bewegende onderdelen tot stilstand gekomen zijn.
2. Zet de afvoergeleider aan de achterzijde omhoog en houd hem in deze stand, monteer de grasvanger in de inkepingen en zet de afvoergeleider aan de achterzijde omlaag ([Figuur 17](#))



Figuur 17

De grasvanger verwijderen

1. Zet de motor uit en wacht totdat alle bewegende onderdelen tot stilstand gekomen zijn.
2. Til de grasvanger omhoog en trek deze los van de hendel.

Opmerking: Kantel de grasvanger iets naar achteren om te voorkomen dat het verzamelde maaisel eruit valt.

Achteruitworp gebruiken

Gebruik de achteruitworp als u zeer hoog gras maait.

Opmerking: Als de grasvanger op de machine zit, moet u die verwijderen alvorens de achteruitworp te gebruiken; zie [De grasvanger verwijderen \(bladz. 12\)](#). De grasvanghendel moet in de GRASVANGSTAND staan zoals getoond in [Figuur 16](#).

⚠ WAARSCHUWING

Het maaimes is scherp, contact met het maaimes kan ernstig lichamelijk letsel veroorzaken.

Zet de motor af en wacht totdat alle bewegende onderdelen tot stilstand zijn gekomen voordat u de bestuurderspositie verlaat.

Tips voor bediening en gebruik

Algemene maaitips

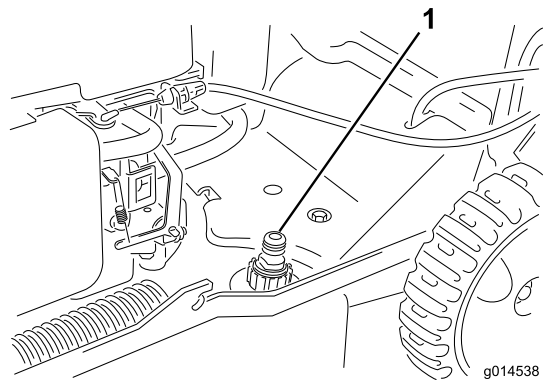
- Controleer het werkgebied en verwijder alle voorwerpen die de machine zou kunnen uitwerpen.
- Zorg ervoor dat het mes geen vaste voorwerpen raakt. Maai nooit met opzet over voorwerpen.
- Als de maaimachine toch een voorwerp raakt en begint te trillen, moet u meteen de motor afzetten, de contactsleutel verwijderen (indien de machine hiermee is uitgerust) de bougiekabel losmaken en de maaimachine op beschadiging controleren.
- De beste resultaten krijgt u door een nieuw mes te monteren voordat het maaiseizoen begint.
- Vervang indien nodig het maaimes door een Toro mes.

Gras maaien

- U moet telkens niet meer dan ongeveer één derde van de grassprietten afmaaien. Maai niet met een stand lager dan 51 mm, tenzij de grasmat dun is, of als het laat in het najaar is wanneer het gras langzamer begint te groeien.
- Als u gras wilt maaien dat langer dan 15 cm is, moet u maaien op de maximale maaihoogte en met een langzamere loopsnelheid. Vervolgens gaat u maaien op een lagere maaihoogte om het gazon een zo fraai mogelijk uiterlijk te geven. Als het gras te hoog is, kan de machine verstopt raken en de motor afslaan.
- Nat gras en natte bladeren gaan aancoeken, waardoor de maaimachine verstopt kan raken of de motor kan afslaan. Gebruik de machine niet in vochtige omstandigheden.
- Wees bedacht op het risico van brand in zeer droge omstandigheden; neem alle plaatselijke brandwaarschuwingen in acht en houd de machine vrij van droog gras en bladafval.
- Maai steeds in wisselende richtingen. Hierdoor wordt het maaisel beter over het gazon verstrooid, zodat het gazon gelijkmatig wordt bemest.
- Als u niet tevreden bent met het uiterlijk van het voltooide gazon, probeer dan een of meer van de volgende stappen:
 - Vervang het maaimes of laat het slijpen.
 - Loop langzamer tijdens het maaien.
 - Stel de maaimachine in op een hogere maaihoogte.
 - Maai het gras vaker.
 - Laat de maai banen overlappen in plaats van steeds een volledig nieuwe baan te maaien.

Bladeren fijnmaken

- Na het maaien moet altijd 50% van het gazon zichtbaar blijven door de bladerlaag. Dit kan een of meerdere rondgangen over de bladeren vereisen.
- Als er een laag bladeren van meer dan 13 cm op het gazon ligt, moet u eerst met een hogere maaihoogte werken en vervolgens nogmaals maaien op de gewenste hoogte.
- Als de maaimachine de bladeren niet fijn genoeg maakt, is het beter om wat langzamer te maaien.



Figuur 18

Na gebruik

Veiligheid na het werk

Algemene veiligheid

- Verwijder gras en vuil van de machine om brand te voorkomen. Neem gemorste olie of brandstof op.
- Laat de motor afkoelen voordat u de machine in een afgesloten ruimte opslaat.
- Bewaar de machine of brandstofhouder nooit bij een open vlam, vonk of waakvlam bij bijv. een geiser of andere apparaten.

De machine veilig vervoeren

- Verwijder de contactsleutel (indien de machine hiermee is uitgerust) voordat u de machine voor transport inlaadt.
- Wees voorzichtig bij het in- of uitladen van de machine.
- Zet de machine vast zodat ze niet kan gaan rollen.

De onderkant van de machine reinigen

Onderhoudsinterval: Bij elk gebruik of dagelijks

Om de beste resultaten te verkrijgen, dient u de machine te reinigen zodra u klaar bent met maaien.

1. Zet de machine in de laagste maaistand. Zie [De maaihoogte instellen \(bladz. 9\)](#).
2. Plaats de machine op een horizontaal oppervlak.
3. Bevestig een tuinslang die aangesloten is op een kraan aan de wasaansluiting ([Figuur 18](#)).

1. Wasaansluiting

4. Draai de kraan open.
5. Start de motor en laat deze lopen totdat er geen maaisel meer onder de machine vandaan komt.
6. Zet de motor af.
7. Draai de kraan dicht en maak de tuinslang los van de maaimachine.
8. Start de motor en laat deze een paar minuten lopen om de onderzijde van de machine te drogen.
9. Schakel de motor uit en laat deze afkoelen.

Handgreep inklappen

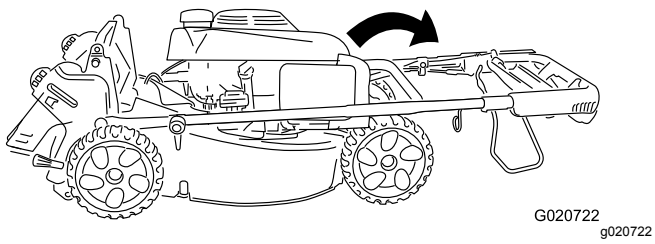
⚠ WAARSCHUWING

Als de handgreep verkeerd wordt in- en uitgeklaapt, kunnen de kabels schade oplopen, waardoor de machine niet veilig kan worden gebruikt.

- Zorg ervoor dat u de kabels niet beschadigt als u de handgreep in- of uitklaapt.
- Indien een kabel is beschadigd, moet u contact opnemen met een erkende Service Dealer.

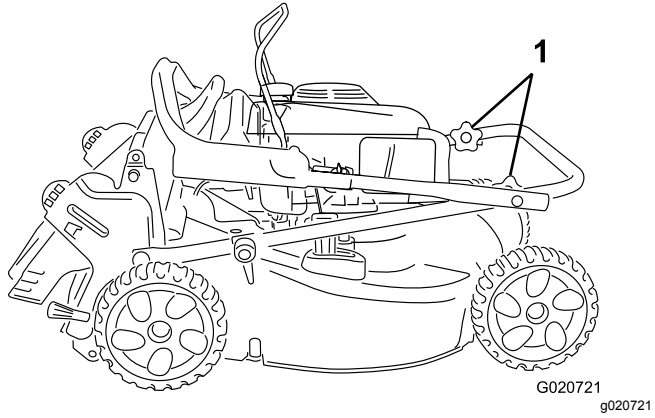
1. Draai de knoppen van de handgreep los.
2. Draai de volledige handgreep naar voren ([Figuur 19](#)).

Belangrijk: Zorg ervoor dat de kabels aan de buitenkant van de knoppen van de handgreep lopen als u het bovenste deel van de handgreep inklapt.



Figuur 19

-
3. Draai het bovenste deel van de handgreep terug naar de motor; zie [Figuur 20](#).



Figuur 20

1. Handgreeknoppen
-

Onderhoud

Aanbevolen onderhoudsschema

Onderhoudsinterval	Onderhoudsprocedure
Na de eerste 5 bedrijfsuren	<ul style="list-style-type: none">• Ververs de motorolie.
Bij elk gebruik of dagelijks	<ul style="list-style-type: none">• Het motoroliepeil controleren.• Controleer of de motor binnen 3 seconden stopt nadat u de bedieningsstang van het maimes hebt losgelaten.• Verwijder maaisel en vuil van de onderkant van de machine.
Om de 100 bedrijfsuren	<ul style="list-style-type: none">• Onderhoud van de bougie.
Jaarlijks	<ul style="list-style-type: none">• Geef het luchtfilter een onderhoudsbeurt.• Ververs de motorolie.• Vervang het maimes of laat het slijpen (vaker als de snijrand snel bot wordt).• Reinig de motor door vuil van de bovenkant en de zijkanten te verwijderen; doe dit vaker als de machine wordt gebruikt in stoffige omstandigheden.
Jaarlijks of vóór stalling	<ul style="list-style-type: none">• Laat de benzine uit de brandstoftank lopen voordat u vereiste reparaties uitvoert of voor de jaarlijkse stalling.

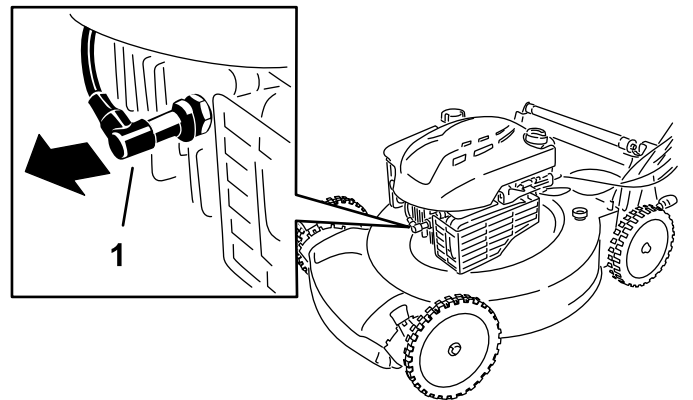
Belangrijk: Raadpleeg de gebruikershandleiding van de motor voor verdere onderhoudsprocedures.

De machine veilig onderhouden

- Trek de bougiekabel los van de bougie voordat u onderhoudswerkzaamheden uitvoert.
- Draag handschoenen en oogbescherming wanneer u servicewerkzaamheden verricht.
- Het maimes is scherp, contact met het maimes kan ernstig lichamelijk letsel veroorzaken. Gebruik handschoenen als u het mes monteert. Repareer of wijzig het mes/de messen niet.
- Knoei nooit met de veiligheidsvoorzieningen. Controleer regelmatig of deze goed werken.
- Als u de machine kantelt, kan er benzine uit de tank lekken. Benzine is ontvlambaar en explosief en kan lichamelijk letsel veroorzaken. Laat de motor drooglopen of pomp de brandstof met een handpomp uit de tank. Gebruik nooit een hevel.
- Om de beste prestaties te verkrijgen en ervoor te zorgen dat de veiligheidscertificaten van de machine blijven gelden, moet u ter vervanging altijd originele onderdelen en accessoires van Toro aanschaffen. Gebruik ter vervanging nooit onderdelen en accessoires van andere fabrikanten, omdat dit gevaarlijk kan zijn en de productgarantie hierdoor kan vervallen.

Vorbereidingen voor onderhoudswerkzaamheden

1. Zet de motor uit en wacht totdat alle bewegende onderdelen tot stilstand gekomen zijn.
2. Maak de bougiekabel los van de bougie (Figuur 21).



Figuur 21

1. Bougiekabel

3. Nadat u de onderhoudswerkzaamheden hebt uitgevoerd, moet u de kabel weer aansluiten op de bougie.

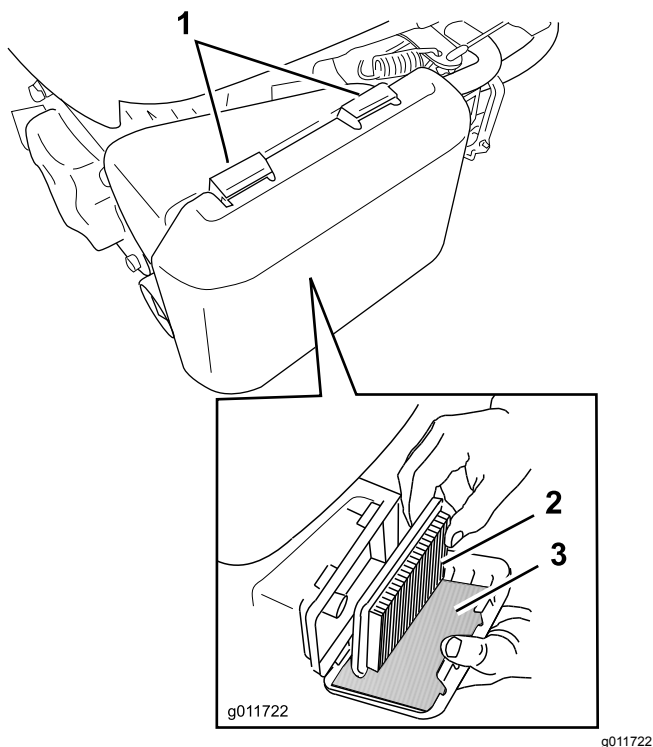
Belangrijk: Voordat u de machine kantelt om olie te verversen of het mes te vervangen, moet u de machine gebruiken totdat de benzinetank leeg is. Als u de machine moet kantelen voordat de benzinetank leeg is,

dient u de benzine met een handpomp uit de tank te pompen. Kantel de maaimachine altijd op de zijkant, met de peilstok omlaag.

Onderhoud van het luchtfilter

Onderhoudsinterval: Jaarlijks

1. Druk de lippen van de vergrendeling bovenop het luchtfilterdeksel omlaag (Figuur 22).



Figuur 22

1. Lippen van vergrendeling
2. Papierelement
3. Schuimfilter

2. Open het deksel.
3. Verwijder het papierelement en het schuimfilter (Figuur 22).
4. Inspecteer het schuimfilter en vervang dit als het beschadigd of heel erg vuil is.
5. Inspecteer het papieren luchtfilterelement.
 - Als het luchtfilter is beschadigd of nat is van olie of brandstof, moet u het filter vervangen.
 - Als het luchtfilter vuil is, klop er dan een paar keer mee op een harde ondergrond of blaas met perslucht onder een druk van minder dan 2,07 bar door de zijde van het filter dat naar de motor is gericht.

Opmerking: Borstel het vuil niet uit het filter, als u borstelt wordt het vuil in de vezels geduwd.

6. Verwijder het vuil van de luchtfilterbehuizing en het deksel met een vochtige doek.

Belangrijk: Veeg geen vuil in de luchtgang.

7. Plaats het papieren filterelement en het schuimfilter in het luchtfilter.
8. Plaats het deksel terug.

De motorolie verversen

Onderhoudsinterval: Na de eerste 5 bedrijfsuren

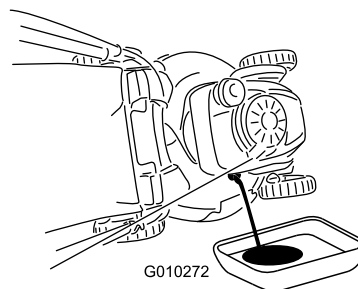
Jaarlijks

Opmerking: Voordat u de olie ververs, moet u de motor enkele minuten laten lopen zodat de olie warm wordt. Warme olie stroomt beter en voert verontreinigingen beter mee.

Motorolietype

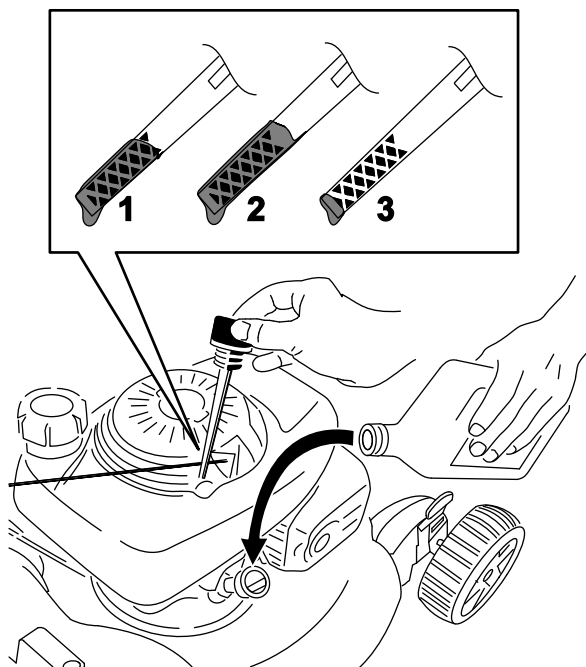
Motoroliecapaciteit	0,55 liter
Olieviscositeit	SAE 30 of SAE 10W-30 reinigungsolie
API-onderhoudsclassificatie	SJ of hoger

1. Plaats de machine op een horizontaal oppervlak.
2. Zie [Vorbereidingen voor onderhoudswerkzaamheden](#) (bladz. 15).
3. Verwijder de peilstok door de dop linksom te draaien en eruit te trekken (Figuur 23).



Figuur 23

4. Kantel de machine op de zijkant (met het luchtfilter naar boven) om de oude olie uit de vulbuis te laten lopen (Figuur 23).



Figuur 24

g238622

1. Vol
2. Hoog
3. Laag

5. Nadat de gebruikte olie is afgetapt, zet u de maaimachine terug in de werkstand.
6. Giet langzaam ongeveer $\frac{3}{4}$ van de inhoud van het oliecarter in de vulbuis.
7. Wacht 3 minuten tot de olie in de motor gezakt is.
8. Veeg de peilstok met een schone doek schoon.
9. Steek de peilstok in de vulbuis, **maar draai hem er niet in**. Verwijder dan de peilstok.
10. Lees het oliepeil af van de peilstok ([Het motoroliepeil controleren \(bladz. 8\)](#)).
 - Als het peil op de peilstok te laag staat, giet dan voorzichtig een kleine hoeveelheid olie in de vulbuis, wacht 3 minuten en herhaal stappen 8 tot en met 10 totdat de peilstok het juiste peil aangeeft.
 - Als het oliepeil op de peilstok te hoog is, tapt u de overtollige olie af tot de peilstok het juiste oliepeil aangeeft.

Belangrijk: Als het oliepeil in het motor te hoog of te laag is en u laat de motor toch draaien, kunt u deze beschadigen.

11. Plaats de peilstok goed in de vulbuis.
12. Recycleer de gebruikte olie op de juiste wijze.

Onderhoud van de bougie

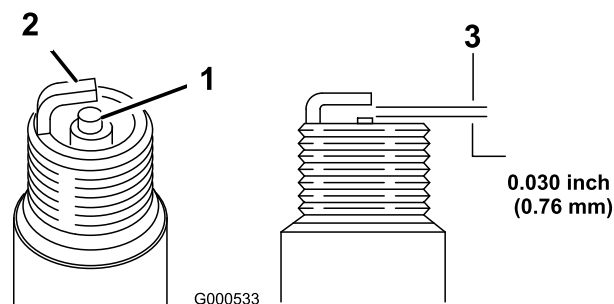
Onderhoudsinterval: Om de 100 bedrijfsuren

Gebruik een **Champion RN9YC** bougie of een bougie van een equivalent type.

1. Zet de motor uit en wacht totdat alle bewegende onderdelen tot stilstand gekomen zijn.
2. Verwijder de bougiekabel van de bougie ([Figuur 21](#)).
3. Maak de omgeving van de bougie schoon.
4. Haal de bougie uit de cilinderkop.

Belangrijk: Als de bougie gebarsten of vuil is, moet deze worden vervangen. U mag de elektroden niet reinigen omdat hierdoor gruis in de cilinder terecht kan komen. Dit leidt meestal tot beschadiging van de motor.

5. Stel de elektrodenafstand in op 0,76 mm zoals getoond in [Figuur 25](#).



Figuur 25

G000533

g000533

1. Centrale elektrode met isolator
 2. Massa-elektrode
 3. Elektrodenafstand (niet op schaal weergegeven)
6. Plaats de bougie.
 7. Draai de bougie vast met een torsië van 20 N·m.
 8. Sluit de bougiekabel aan op de bougie.

Het maimes vervangen

Onderhoudsinterval: Jaarlijks

Belangrijk: U hebt een momentsleutel nodig om het mes op correcte wijze te monteren. Als u geen momentsleutel hebt of niet goed weet hoe u de montage moet uitvoeren, kunt u contact opnemen met een erkende servicedealer.

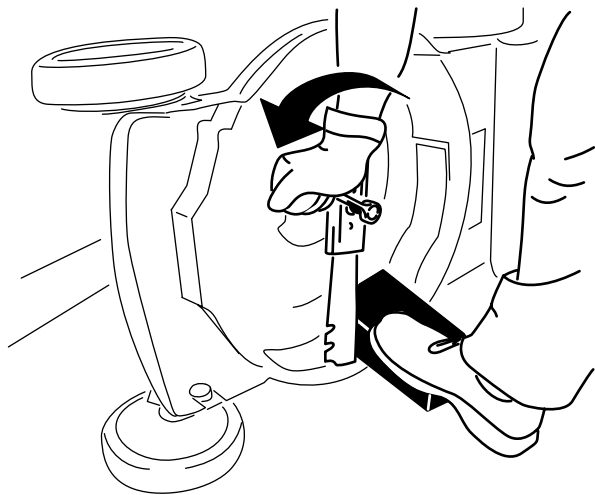
Controleer het mes wanneer de brandstoftank leeg is. Een beschadigd of gescheurd mes moet direct worden vervangen. Als de snijrand bot is of bramen vertoont, moet u het mes laten slijpen en balanceren of het mes vervangen.

⚠ WAARSCHUWING

Het maimes is scherp, contact met het maimes kan ernstig lichamelijk letsel veroorzaken.

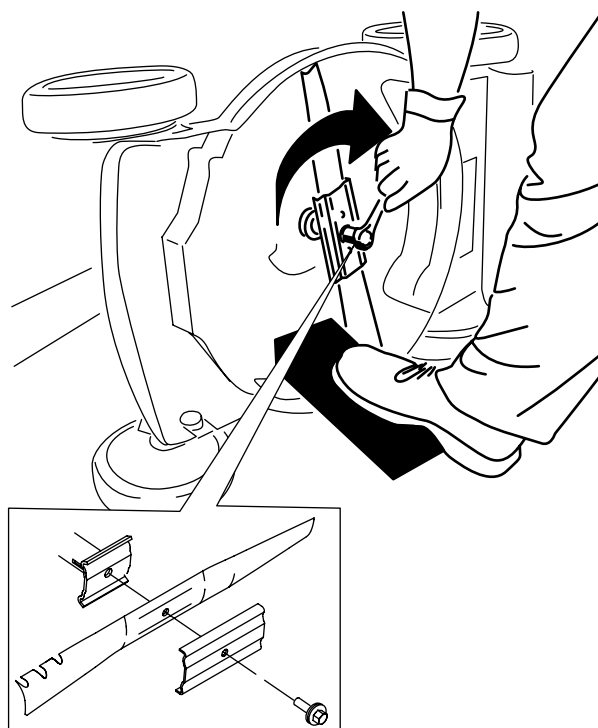
Gebruik handschoenen als u het mes monteert.

1. Zie [Vorbereidingen voor onderhoudswerkzaamheden \(bladz. 15\)](#).
2. Kantel de maaimachine op zijn zij met het luchtfilter naar boven.
3. Gebruik een blok hout om het mes stil te houden ([Figuur 26](#)).



Figuur 26

g231389



Figuur 27

g231390

Belangrijk: De gebogen uiteinden van het mes moeten naar de machine wijzen.

6. Gebruik een momentsleutel om de mesbout vast te draaien met 82 N·m.

Belangrijk: Een bout die is aangetrokken tot 82 N·m zit erg vast. Zet het mes vast met een stuk hout en plaats uw volle gewicht achter de (dop)sleutel om de bout goed vast te draaien. Het is erg moeilijk om deze bout te vast te draaien.

4. Verwijder het mes en bewaar alle bevestigingselementen ([Figuur 26](#)).
5. Monteer het nieuwe mes en alle bevestigingselementen ([Figuur 27](#)).

Stalling

Stal de maaimachine op een koele, schone, droge plaats.

Vorbereidingen voor stalling

1. Voeg de laatste keer in het seizoen dat u brandstof toevoegt ook een stabilizer (zoals Toro Premium Fuel Treatment) toe volgens de voorschriften op het etiket.
2. U moet ongebruikte brandstof op de juiste wijze afvoeren. Voer deze brandstof af volgens de plaatselijk geldende voorschriften of gebruik deze voor uw auto.

Opmerking: Oude brandstof in de tank is de belangrijkste oorzaak voor startproblemen. Bewaar brandstof zonder stabilizer niet langer dan 30 dagen en brandstof waaraan stabilizer is toegevoegd niet langer dan 90 dagen.

3. Laat de motor lopen totdat hij afslaat door gebrek aan brandstof.
4. Start de motor opnieuw en laat hem lopen totdat hij afslaat. Als de motor niet meer wil starten, is de brandstof voldoende verbruikt.
5. Maak de kabel los van de bougie en bevestig de kabel aan de steunstang (indien aanwezig).
6. Verwijder de bougie, giet 30 ml motorolie in de bougieopening en trek verschillende keren langzaam aan het startkoord om de olie over de cilinderwand te verspreiden teneinde corrosie in de stallingsperiode te voorkomen.
7. Monteer de bougie zonder deze vast te draaien.
8. Draai alle moeren, bouten en schroeven goed aan.

De machine uit de stalling halen

1. Controleer alle bevestigingen en draai deze vast.
2. Verwijder de bougies en laat de motor snel draaien door aan de handgreep van het startkoord te trekken om de overmatige olie uit de cilinder te verwijderen.
3. Plaats de bougie en draai hem met behulp van een momentsleutel vast met een torsië van 20 N·m.
4. Voer de onderhoudsprocedures uit; zie [Onderhoud \(bladz. 15\)](#).

5. Controleer het oliepeil in de motor; zie [Het motoroliepeil controleren \(bladz. 8\)](#).
6. Vul de brandstoftank met verse brandstof; zie [Brandstoftank vullen \(bladz. 7\)](#).
7. Sluit de bougiekabel aan op de bougie.

Privacyverklaring voor Europa

De informatie die Toro verzamelt

Toro Warranty Company (Toro) respecteert uw privacy. Om uw aanspraak op garantie te behandelen en contact met u op te nemen in het geval van een terugroepactie vragen wij om bepaalde persoonlijke informatie, hetzij direct of via uw lokale Toro dealer.

Het Toro garantiesysteem wordt gehost op servers in de Verenigde Staten, waar de privacywet mogelijk niet dezelfde bescherming biedt als in uw land.

DOOR UW PERSOONLIJKE GEGEVENS MET ONS TE DELEN STEM U IN MET DE VERWERKING VAN UW PERSOONSgegevens ZOALS BESCHREVEN IN DEZE PRIVACYVERKLARING.

Hoe Toro informatie gebruikt

Toro kan uw persoonsgegevens gebruiken om uw aanspraak op garantie te behandelen, contact met u op te nemen in het geval van een terugroepactie, of voor een ander doeleinde waarvan we u op de hoogte brengen. Toro kan uw informatie delen met zijn afdelingen, dealers of andere zakenpartners in verband met deze activiteiten. We verkopen uw persoonsgegevens niet aan andere bedrijven. We behouden ons het recht voor om persoonsgegevens te delen teneinde te voldoen aan geldende wetten en verzoeken van de aangewezen autoriteiten, opdat wij onze systemen naar behoren kunnen gebruiken of met het oog op onze eigen bescherming of die van andere gebruikers.

Behoud van uw persoonlijke informatie

Wij bewaren uw persoonsgegevens zo lang als nodig is voor de doeleinden waarvoor ze oorspronkelijk werden verzameld of voor andere legitieme doeleinden (zoals naleving van voorschriften), of zo lang als vereist is door de van toepassing zijnde wet.

Toro's engagement voor de bescherming van uw persoonlijke informatie

Wij nemen redelijke voorzorgen om uw persoonlijke informatie te beschermen. We proberen bovendien de nauwkeurigheid en geldigheid van persoonlijke gegevens te waarborgen.

Toegang tot en wijziging van uw persoonsgegevens

Als u toegang wilt tot uw persoonsgegevens of deze wilt wijzigen, gelieve dan een e-mail te sturen naar legal@toro.com.

Australische consumentenwet

Australische klanten kunnen voor informatie over de Australische consumentenwet (Australian Consumer Law) terecht bij de lokale Toro verdeler of ze kunnen deze informatie in de doos vinden.

Opmerkingen:

Opmerkingen:



Count on it.