



Count on it.

Parts Catalog

Log Splitter

Model No. 22618—Serial No. 404320000 and Up



Ordering Replacement Parts

To order replacement parts, please supply the part number, the quantity, and the description of each part desired.

Understanding Reference Numbers

Each identified part in an illustration has a reference number. The reference number for a part also appears in the parts list, along with other information about the part.

This catalog uses two special reference number formats, one to indicate parts in a service assembly and another to indicate the quantity of a given part in an illustration.

Service Assembly Reference Numbers

Parts in service assemblies have reference numbers in the form a:b. The a represents the reference number of the entire service assembly and the b represents a sequential number unique to each part within the service assembly.

For example, a wheel assembly might be identified by reference number 6, the tire by 6:1, the valve by 6:2, and the wheel by 6:3. When you order the assembly identified by reference number 6, you receive all parts identified by reference numbers 6:1, 6:2, and 6:3. However, you may also order any part individually. Reference numbers of this type appear in illustration and in parts lists.

Reference Numbers Indicating Quantity

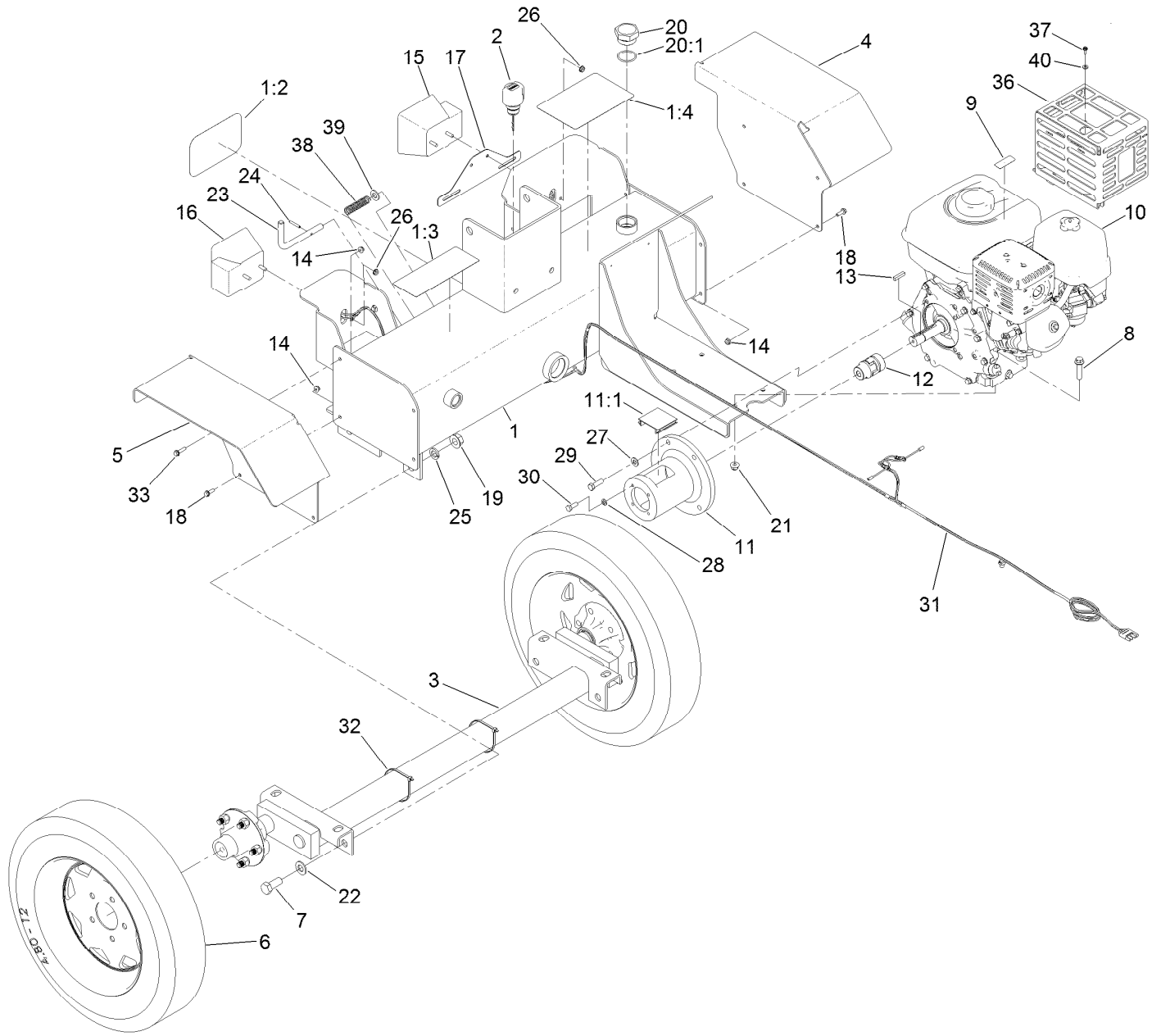
In an illustration, if a reference number indicates more than one part, the reference number has the form nX y. The n represents the quantity of the part, the X is the multiplication symbol, and the y represents the reference number.

For example, in an illustration, the reference number 2X 37 means that two of the parts identified by reference number 37 are indicated.

Contents

- Engine, Axle and Hydraulic Tank Assembly 4
- Frame and Jack Assembly 6
- Jack Assembly No. 120-1421 8
- Hydraulic System Assembly 10
- Attachments and Accessories 12

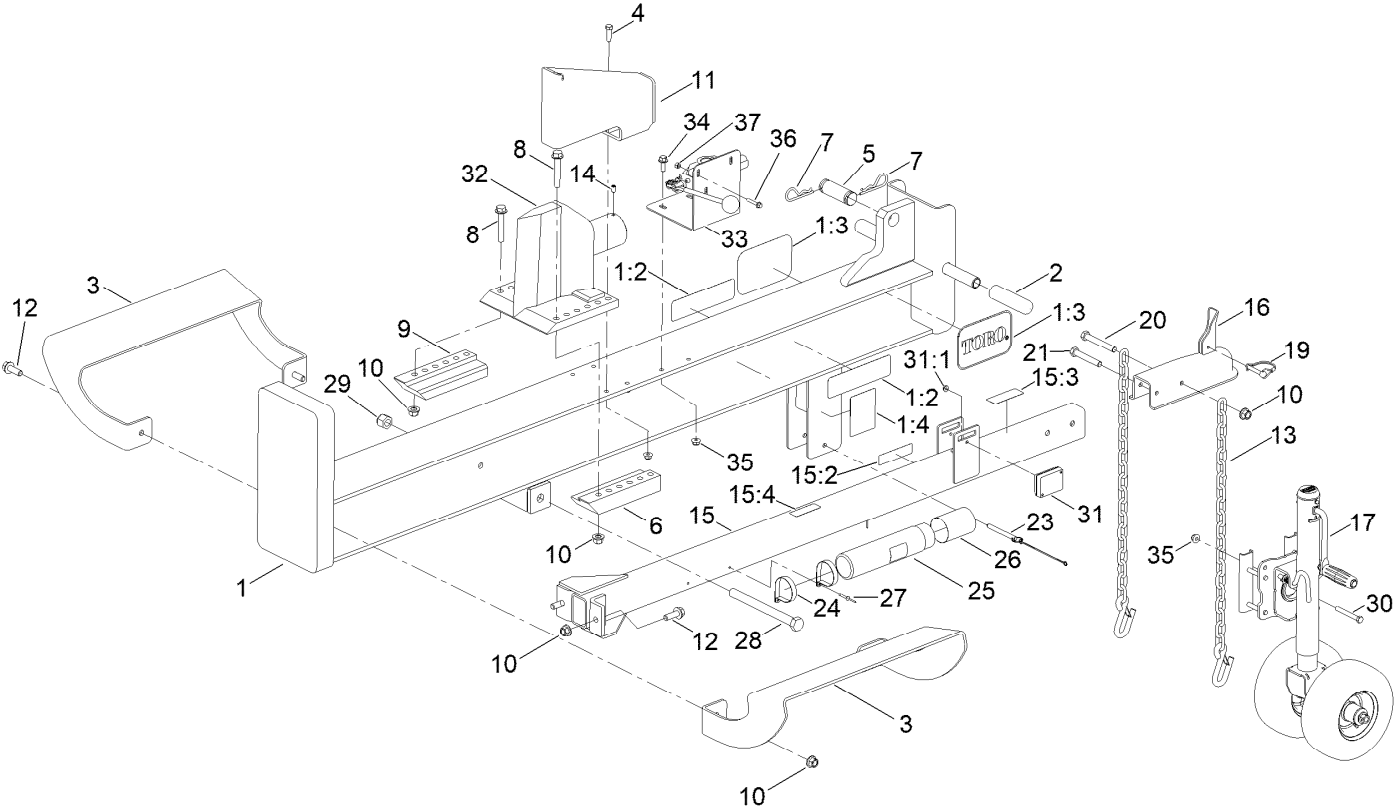
Engine, Axle and Hydraulic Tank Assembly



Engine, Axle and Hydraulic Tank Assembly (continued)

<i>Ref.</i>	<i>Part Number</i>	<i>Qty.</i>	<i>Description</i>	<i>Ref.</i>	<i>Part Number</i>	<i>Qty.</i>	<i>Description</i>
1	137-0637	1	HYD Tank ASM	19	32128-50	4	Nut-Flange
1:2	62-5550	1	Decal	20	108-8468	1	Plug-HH
1:3	137-0551	1	Decal-Warning	20:1	237-101	1	O-Ring
1:4	139-1286	1	Decal-Service	21	104-8301	4	Nut-HF, NI
2	132-9292	1	Breather	22	119-1868	4	Washer
3	136-4575	1	Axle ASM	23	137-0601	1	Pin-Latch
4	137-0639-03	1	Fender-LH	24	32121-34	1	Pin-Roll
5	137-0638-03	1	Fender-RH	25	3253-23	4	Washer-Lock
6	120-1206	2	Wheel And Tire ASM	26	32149-2	4	Nut-Keps
7	327-4	4	Screw-HH	27	3256-24	4	Washer-Flat
8	3234-19	4	Screw-HHF	28	3253-4	4	Washer-Lock
9	130-8322	1	Decal-Warning, Ethanol	29	323-7	4	Screw-HH
10	136-4563	1	Engine-Honda, Gx270	30	322-4	4	Screw-HH
11	120-1213	1	Housing-Mount,Pump	31	136-4571	1	Harness-Wire
11:1	120-1846	1	Cover-Access	32	3290-379	2	Tie-Cable
12	137-0566	1	Coupler-Flex	33	120-4654	2	Screw-HHF
13	13-2840	1	Key-Square	36	137-0595-03	1	Guard-Muffler
14	104-7201	8	Nut-HF	37	119-7568	2	Screw-HSBH
15	120-3735	1	Light-Tail, LH	38	95-4256	1	Spring-Compression
16	120-3734	1	Light-Tail, RH	39	106-9888	1	Washer-Flat
17	125-8659-03	1	Holder-Plate, License	40	3256-14	2	Washer-Flat
18	115-5103	6	Screw-HHF				

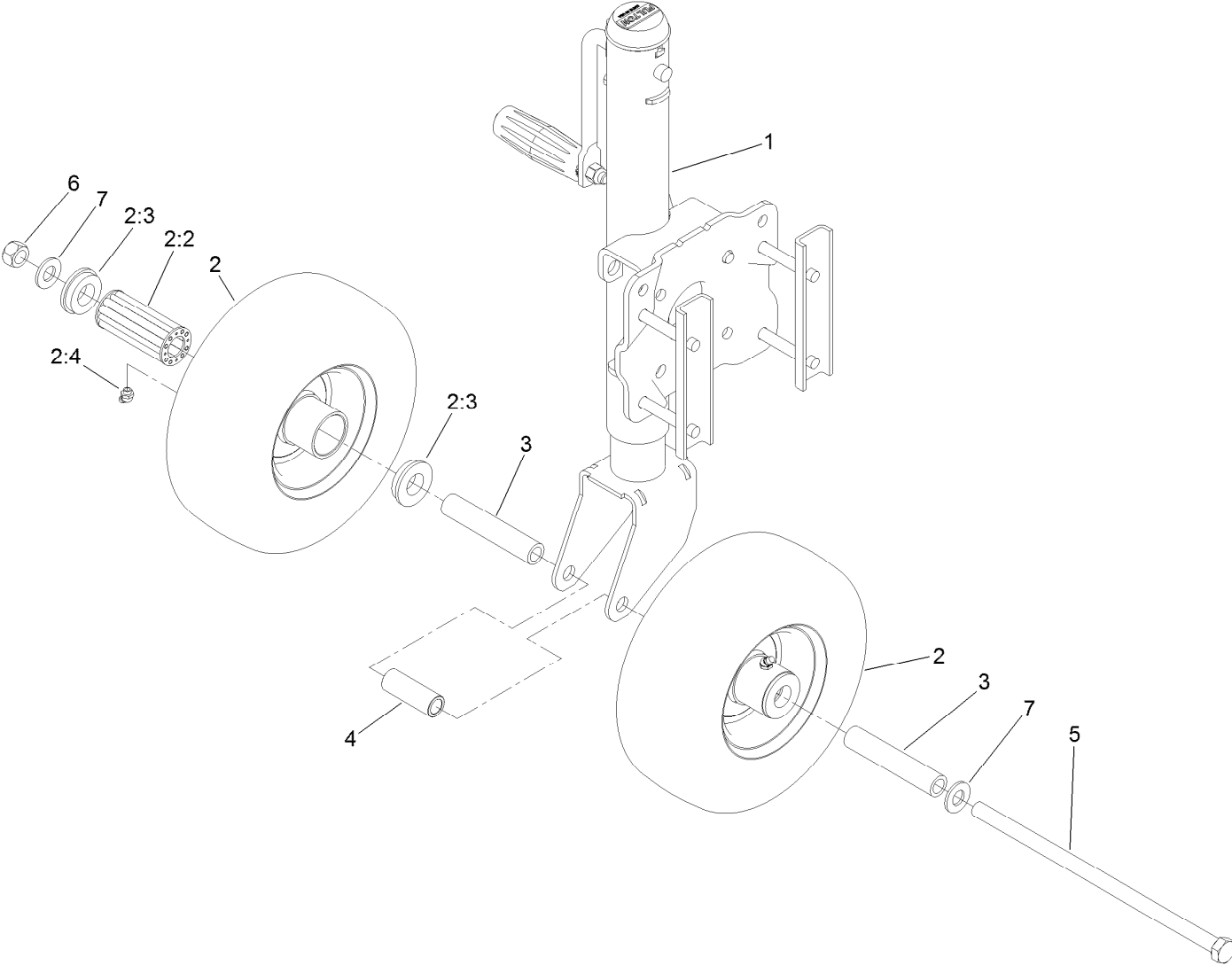
Frame and Jack Assembly



Frame and Jack Assembly (continued)

<i>Ref.</i>	<i>Part Number</i>	<i>Qty.</i>	<i>Description</i>	<i>Ref.</i>	<i>Part Number</i>	<i>Qty.</i>	<i>Description</i>
1	137-0634	1	Beam ASM	16	117-8371	1	Receiver-Hitch, Ball
1:2	137-0552	2	Decal	17	120-1421	1	Jack ASM
1:3	62-5550	2	Decal	19	105-9245	1	Pin-Lock
1:4	137-0588	1	Decal-Warning, Pin	20	325-15	1	Screw-HH
2	120-1333	2	Grip-Handle	21	325-13	1	Screw-HH
3	136-4668-03	2	Plate-Catch	23	136-4588	1	Pin
4	323-7	4	Screw-HH	24	2412-120	2	Clamp-R
5	120-1420	1	Pin-Pivot	25	104-7050	1	Tube-Manual
6	120-1804-03	1	Bar-Slide, LH	26	104-7048	1	Cap-Housing
7	3290-256	2	Pin-Hair	27	107-0386	3	Rivet-Blind
8	3234-40	12	Screw-HF	28	120-1796	1	Bolt-HH
9	120-1809-03	1	Bar-Slide, RH	29	3296-51	1	Nut-Lock, NI
10	99-5107	18	Nut-Lock	30	323-14	4	Screw-HH
11	140-3617	1	Dislodger Bracket ASM	31	127-7562	2	Lamp-Marker, Front Side
12	100-6116	4	Screw-HHF	31:1	32149-2	1	Nut-Keps
13	119-3045	2	Chain-Safety, Trailer	32	137-0569-03	1	Wedge ASM
14	3247-4	1	Screw-Set	33	137-0571-03	1	Bracket-Valve
15	137-0635	1	Tube ASM	34	3234-42	2	Screw-HHF
15:2	133-8062	1	Decal-Arrestor, Spark	35	104-8301	10	Nut-HF, NI
15:3	137-0554	1	Decal-Caution	36	94-5781	3	Screw-HHF
15:4	120-0625	1	Decal-Warning	37	3296-42	3	Nut-Lock, NI

Jack Assembly No. 120-1421

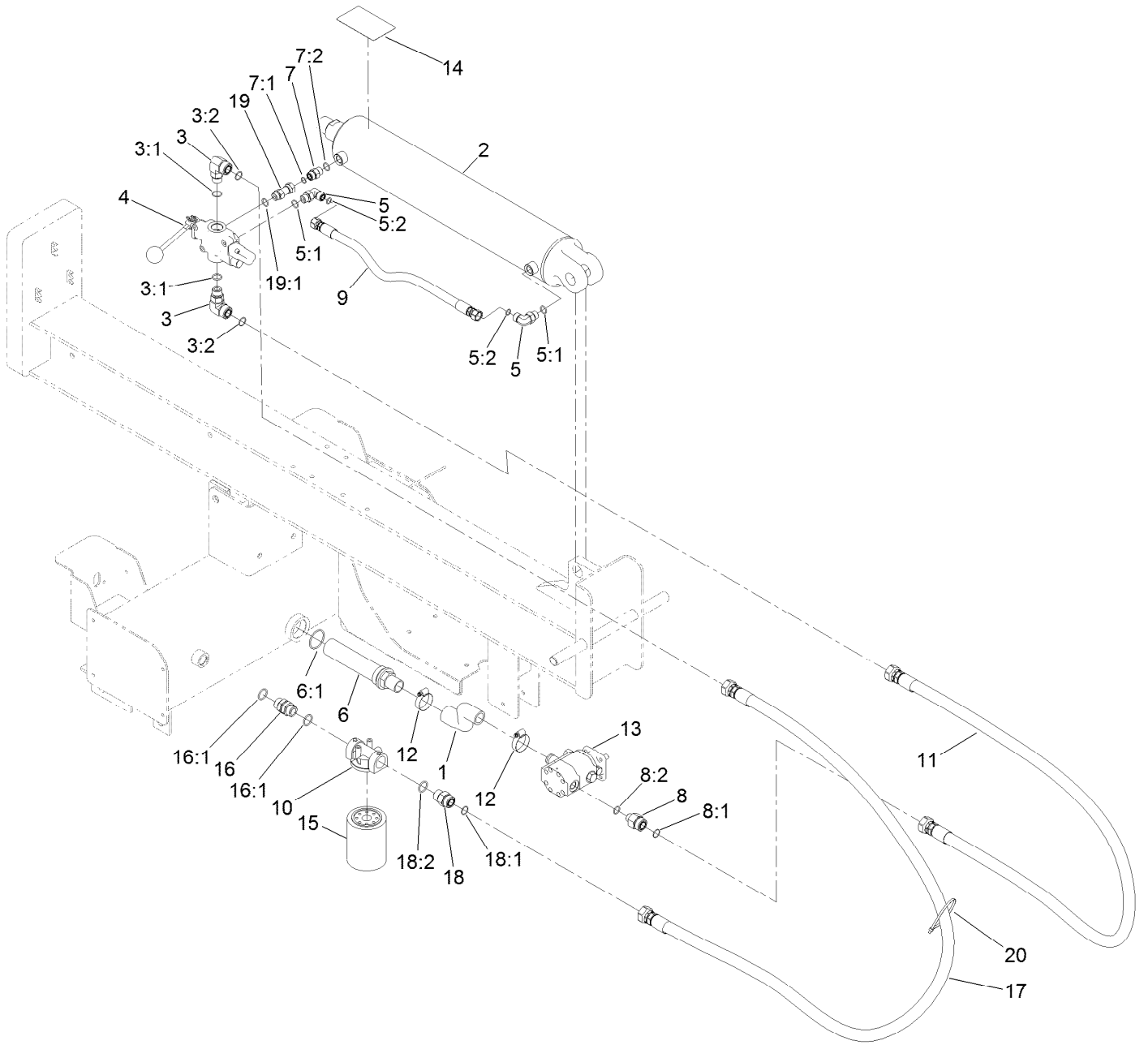


Jack Assembly No. 120-1421 (continued)

<i>Ref.</i>	<i>Part Number</i>	<i>Qty.</i>	<i>Description</i>
1	120-1208	1	Jack-Trailer
2	110-5024	2	Wheel And Tire ASM
2:2	112-7066	1	Bearing-Roller
2:3	1-513810	2	Bushing
2:4	302-61	1	Fitting-Grease

<i>Ref.</i>	<i>Part Number</i>	<i>Qty.</i>	<i>Description</i>
3	100-6453	2	Bushing-Spanner
4	109-6653	1	Spacer
5	120-1827	1	Screw-HH
6	32153-5	1	Nut-Hex
7	3256-26	2	Washer-Flat

Hydraulic System Assembly



Hydraulic System Assembly (continued)

<i>Ref.</i>	<i>Part Number</i>	<i>Qty.</i>	<i>Description</i>	<i>Ref.</i>	<i>Part Number</i>	<i>Qty.</i>	<i>Description</i>
1	136-4675	1	Hose-Molded	9	132-4013	1	Hose-HYD
2	136-4562	1	Cylinder- HYD	10	92-5821	1	Head-Filter
3	340-16	2	Fitting-HYD, 90 DEG	11	137-4853	1	HYD Hose ASM
3:1	237-80	1	O-Ring	12	2412-111	2	Clamp
3:2	237-58	1	O-Ring	13	136-4569	1	Pump-HYD
4	136-4583	1	Valve-Control	14	137-0587	1	Decal- Caution, Control
5	340-98	2	Fitting-Elbow, 90 DEG	15	54-0110	1	Filter-Oil, Transmission
5:1	237-79	1	O-Ring	16	98-9906	1	Fitting-Thread, Straight
5:2	237-30	1	O-Ring	16:1	237-81	2	O-Ring
6	105-0131	1	Strainer-Tank, Oil	17	137-4854	1	HYD Hose ASM
6:1	340-136	1	O-Ring	18	340-9	1	Fitting-STR
7	340-4	1	Fitting-Straight	18:1	237-58	1	O-Ring
7:1	237-30	1	O-Ring	18:2	237-81	1	O-Ring
7:2	237-79	1	O-Ring	19	100-7671	1	Adapter-HYD
8	98-9921	1	Fitting-Straight	19:1	237-79	1	O-Ring
8:1	237-145	1	O-Ring	20	3290-379	3	Tie-Cable
8:2	237-79	1	O-Ring				

Attachments and Accessories

For 22618 Log Splitter

Product Name	Model/Part
Spark Arrester Kit	137-0592
Pump Service Kit	137-4850
Cylinder Service Kit	137-4852

Notes:

Notes:

Notes:



Count on it.