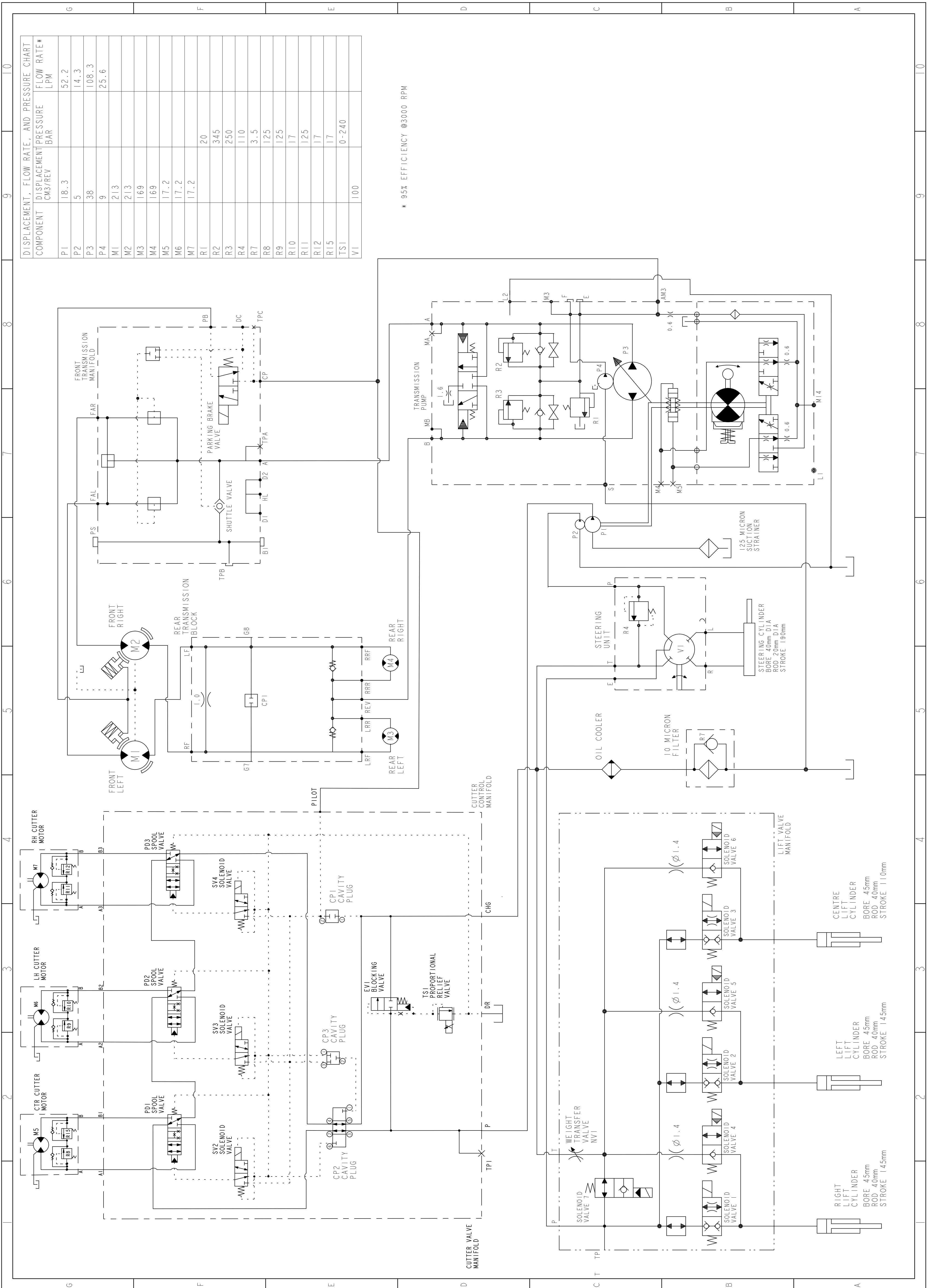
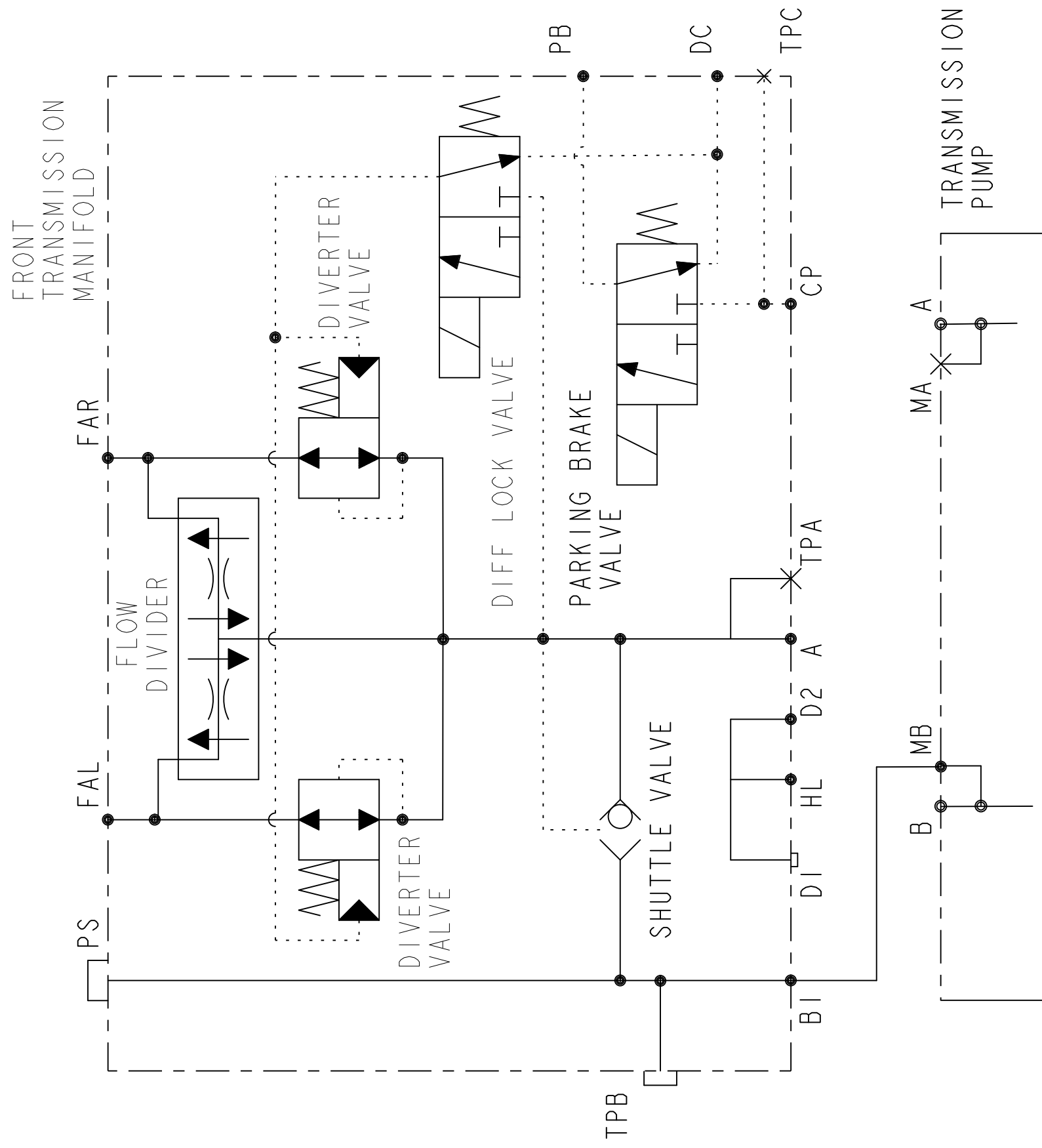


DISPLACEMENT, FLOW RATE, AND PRESSURE CHART			
COMPONENT	DISPLACEMENT CM <sup>3</sup> /REV	PRESSURE BAR	FLOW RATE # LPM
P1	18.3		52.2
P2	5		14.3
P3	38		108.3
P4	9		25.6
M1	213		
M2	213		
M3	169		
M4	169		
M5	17.2		
M6	17.2		
M7	17.2		
R1		20	
R2		345	
R3		250	
R4		110	
R7		3.5	
R8		125	
R9		125	
R10		17	
R11		125	
R12		17	
R15		17	
TS1		0-240	
VI	100		

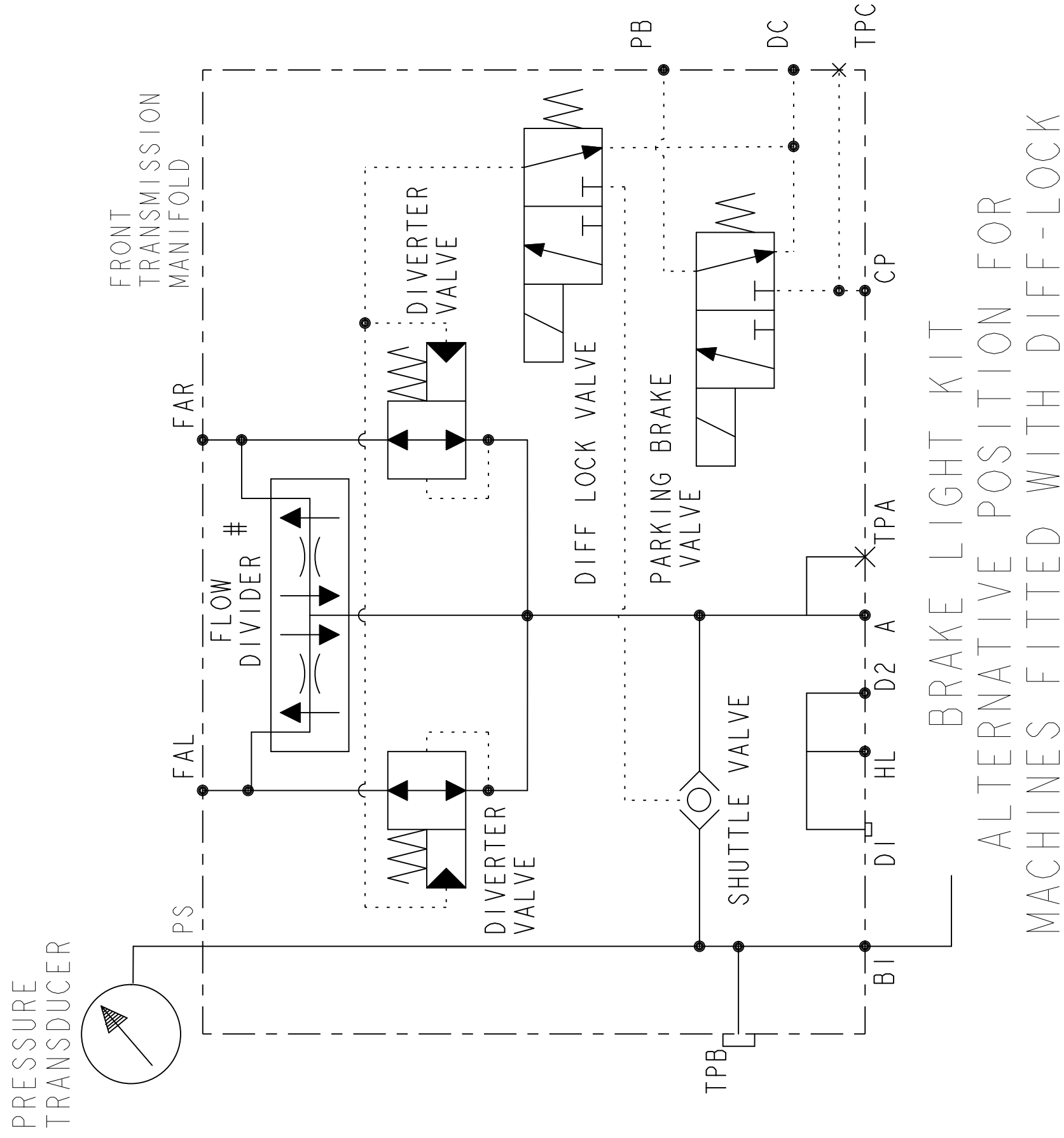
\* 95% EFFICIENCY @3000 RPM



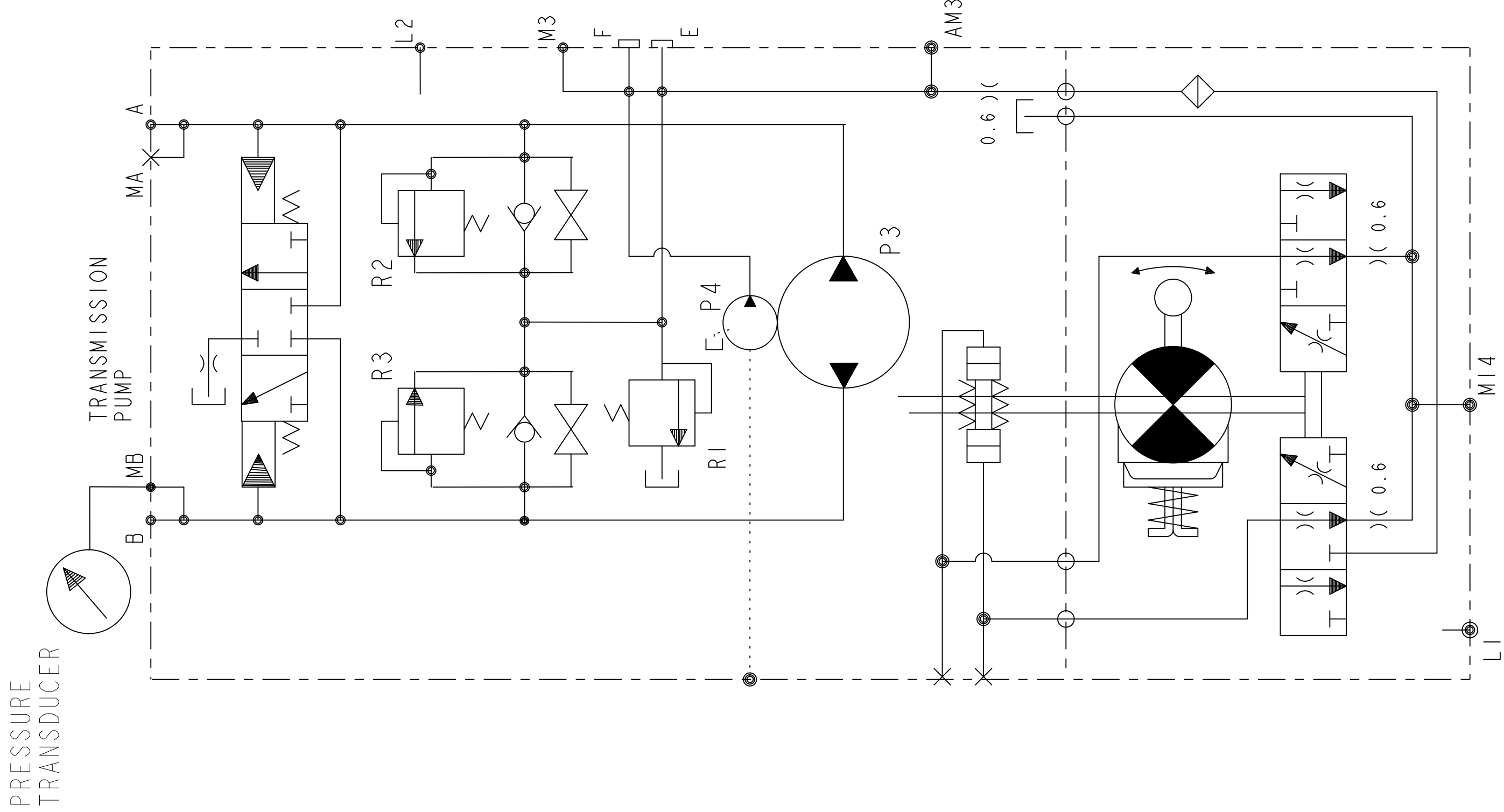
# OPTIONS



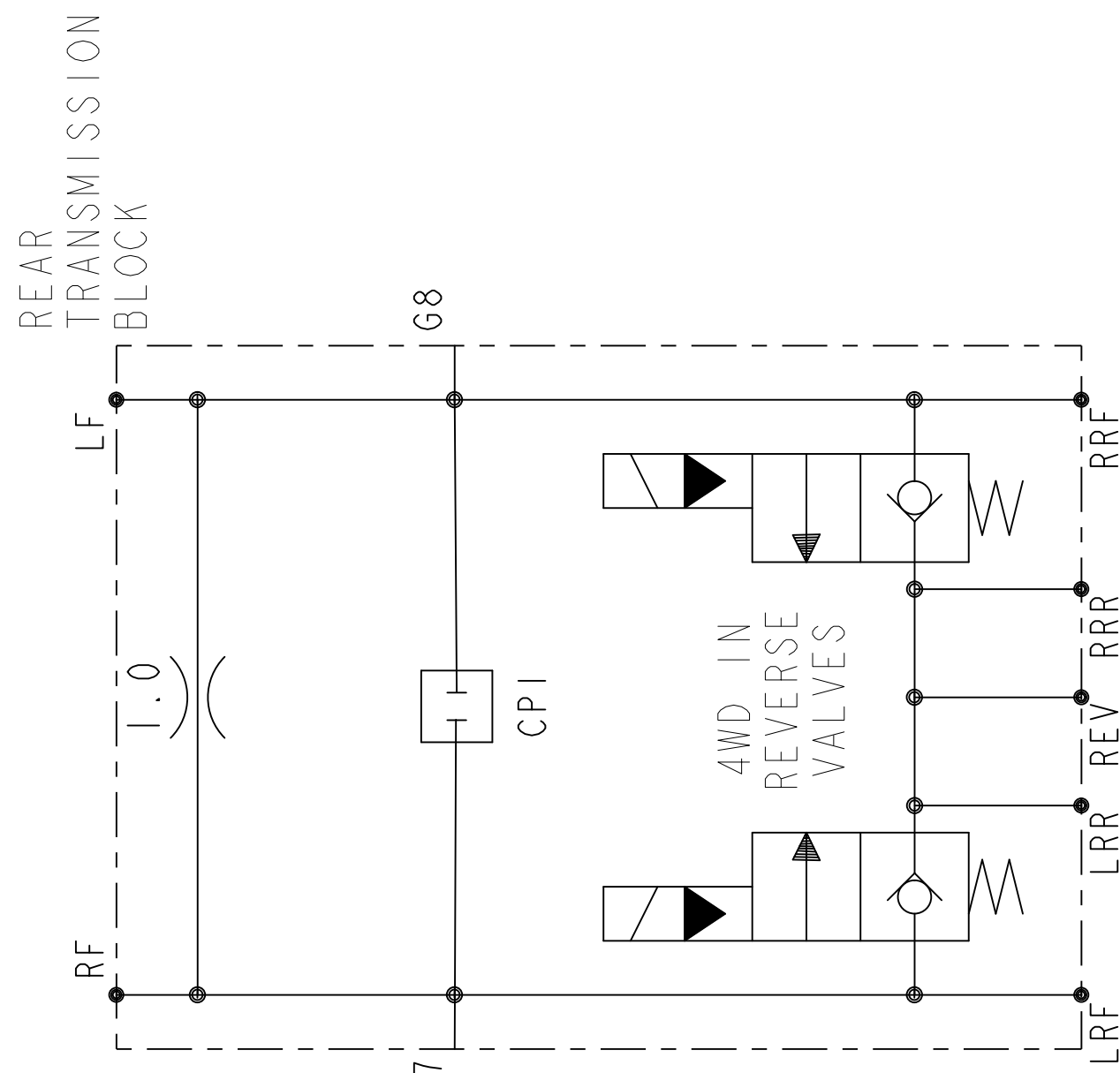
DIFF-LOCK



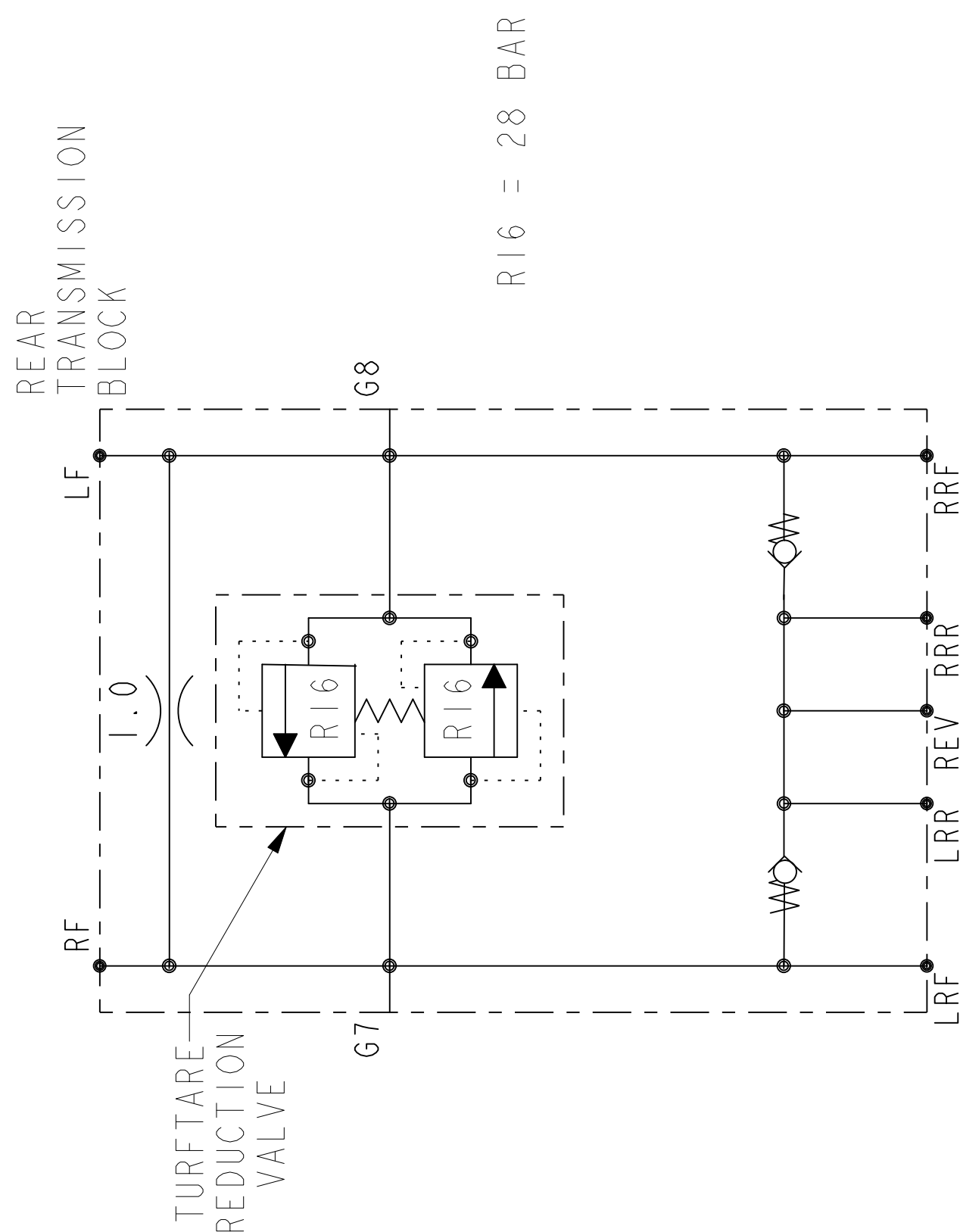
BRAKE LIGHT KIT  
ALTERNATIVE POSITION FOR  
MACHINES FITTED WITH DIFF-LOCK



BRAKE LIGHT KIT



4 WHEEL DRIVE IN REVERSE



TURFTARE REDUCTION VALVE