



Count on it.

Parts Catalog

Z580-D Z Master®

With 152cm TURBO FORCE® Side Discharge Mower

Model No. 74265TE—Serial No. 311000001 and Up



Ordering Replacement Parts

To order replacement parts, please supply the part number, the quantity, and the description of each part desired.

Understanding Reference Numbers

Each identified part in an illustration has a reference number. The reference number for a part also appears in the parts list, along with other information about the part.

This catalog uses two special reference number formats, one to indicate parts in a service assembly and another to indicate the quantity of a given part in an illustration.

Service Assembly Reference Numbers

Parts in service assemblies have reference numbers in the form a:b. The a represents the reference number of the entire service assembly and the b represents a sequential number unique to each part within the service assembly.

For example, a wheel assembly might be identified by reference number 6, the tire by 6:1, the valve by 6:2, and the wheel by 6:3. When you order the assembly identified by reference number 6, you receive all parts identified by reference numbers 6:1, 6:2, and 6:3. However, you may also order any part individually. Reference numbers of this type appear in illustration and in parts lists.

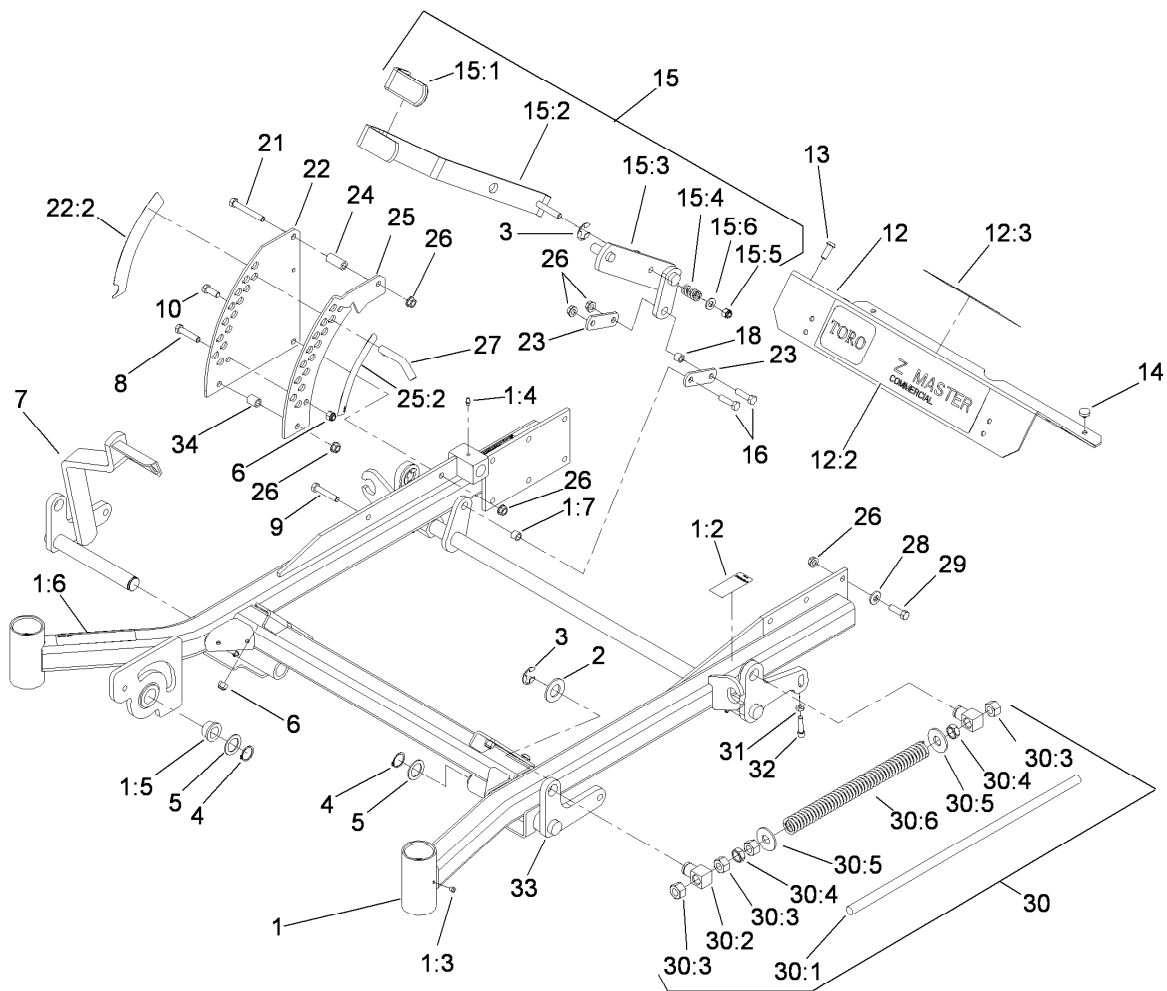
Reference Numbers Indicating Quantity

In an illustration, if a reference number indicates more than one part, the reference number has the form nX y. The n represents the quantity of the part, the X is the multiplication symbol, and the y represents the reference number.

For example, in an illustration, the reference number 2X 37 means that two of the parts identified by reference number 37 are indicated.

Contents

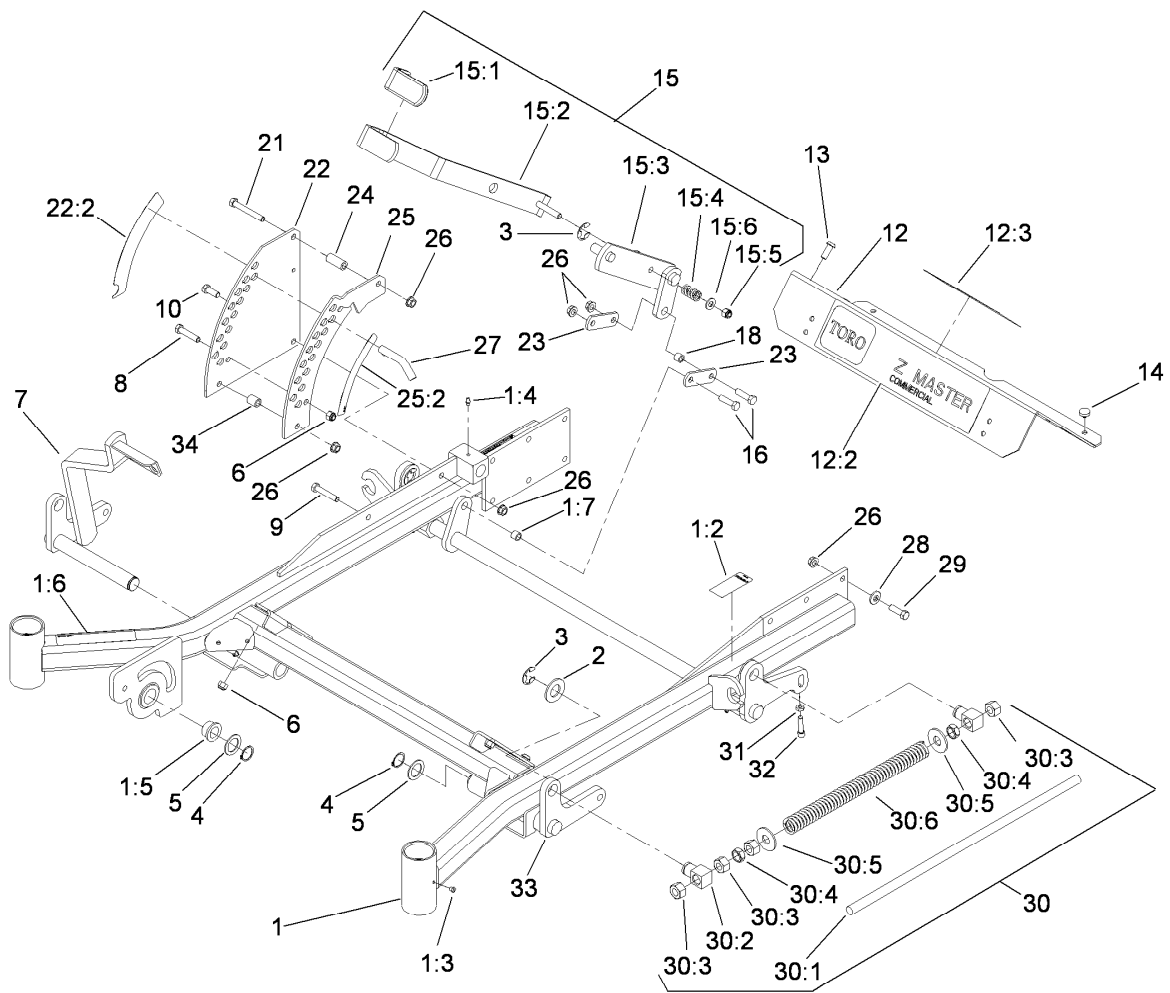
Front Frame Assembly	4
Fork, Caster Wheel and Z Stand Assembly	6
Traction Frame and Floor Pan Assembly	7
Seat and Roll-Over Protection System Assembly	8
Deluxe Seat Assembly No. 110-0838	9
Roll-Over Protection System Assembly No. 110-0877	10
Main Frame and Rear Wheel Assembly	11
Hydro Control Assembly	12
Engine, Exhaust and Air Intake Assembly	13
Air Cleaner Assembly No. 93-2190	14
Hydro and Gearbox Assembly	15
Gearbox Assembly No. 107-9887	17
Hydraulic Tank, Motor and Pump Assembly	18
Tandem Pump Assembly No. 107-9885	20
Hydraulic Motor Assembly No. 112-8357 (CCW)	21
Hydraulic Motor Assembly No. 112-8358 (CW)	22
Hydraulic Hose System Assembly	23
Fuel System and Throttle Control Assembly	24
Fuel Line Assembly	25
Engine Housing Assembly	26
Cooling System Assembly	27
Hood Assembly	28
Deck Connection Assembly	29
Deck Assembly	30
Deck Decal Assembly No. 114-4489	32
Spindle Assembly No. 117-6158	33
Lever Assembly No. 107-1664	34
Rubber Deflector Assembly No. 108-2792	35
Electrical Assembly	36
Crankcase Assembly	37
Oil Pan Assembly	38
Cylinder Head Assembly	39
Gear Case and Oil Filter Cartridge Assembly	40
Cylinder Head Cover Assembly	41
Dipstick, Guide and Oil Pump Assembly	42
Main Bearing Case Assembly	43
Cam Shaft and Idle Gear Assembly	44
Piston and Crankshaft Assembly	45
Flywheel and Fuel Camshaft Assembly	46
Idle Apparatus and Stop Solenoid Assembly	47
Injection Pump and Governor Assembly	48
Speed Control Plate Assembly	49
Nozzle Holder and Glow Plug Assembly	50
Nozzle Holder Assembly	52
Alternator, Pulley and Fuel Pump Cover Assembly	54
Alternator Components Assembly	55
Starter Assembly	56
Starter Components Assembly	57
Water Flange and Thermostat Assembly	58
Valve and Rocker Arm Assembly	59
Inlet and Exhaust Manifold Assembly	60
Upper and Lower Gasket Kits	61
Attachments and Accessories	62



Front Frame Assembly

Ref.	Part Number	Qty.	Description	Ref.	Part Number	Qty.	Description
1	107-3980	1	Frame ASM	15:4	1-633325	1	Spring-Compression
1:2	107-3968	1	Decal-Brake, Parking	15:5	3296-39	1	Nut-Lock, NI
1:3	1-811010	2	Plug	15:6	3256-24	1	Washer-Flat
1:4	302-19	5	Fitting-Grease	16	323-29	2	Screw-HH
1:5	94-1291	2	Bushing	18	103-1918	1	Bushing
1:6	107-3969	1	Decal-Warning	21	323-11	1	Screw-HH
1:7	103-1918	1	Bushing	22	117-0367	1	Plate-HOC, Outer
2	3256-29	4	Washer-Flat	22:2	107-3961	1	Decal-Height, Deck
3	32151-103	5	Ring-Retaining, EXT	23	1-633068	2	Arm-Lift, Deck
4	32151-29	2	Ring-Retaining	24	1-633082	1	Bushing-Lever, Lift
5	1-523157	2	Washer-Spacer	25	117-0370	1	Plate-HOC, Inner
6	3296-39	5	Nut-Lock, NI	25:2	107-3962	1	Decal-Height, Deck
7	108-7786-01	1	Lift-Deck, RH Front	26	3290-357	17	Nut-HHF, Whiz
8	323-9	1	Screw-HH	27	109-8757	1	Pin-HOC
9	323-10	1	Screw-HH	28	98-5975	12	Washer-Belleville
10	323-6	1	Screw-HH	29	323-7	12	Screw-HH
12	107-3976	1	Footrest	30		2	Front Frame Spring ASM ●
12:2	106-7451	1	Decal	30:1	1-633096	1	Rod-Lift, Deck
12:3	107-1866	1	Decal-Danger, Slope	30:2	1-633441	2	Swivel-Deck Mount, Rear
13	3274-94	4	Screw-HSBH	30:3	3217-11	4	Nut-Hex
14	1-513658	2	Bumper	30:4	3218-6	2	Nut-Jam
15	110-5860	1	Deck Lift Handle ASM	30:5	3256-7	2	Washer-Flat
15:1	1-633295	1	Grip-Lever, Lift	30:6	1-633064	1	Spring-Support, Deck
15:2	103-2083	1	Lever-Lift	31	3218-2	2	Nut-Jam
15:3	103-2064	1	Arm-Lift, Deck	32	3274-18	2	Screw-HSH

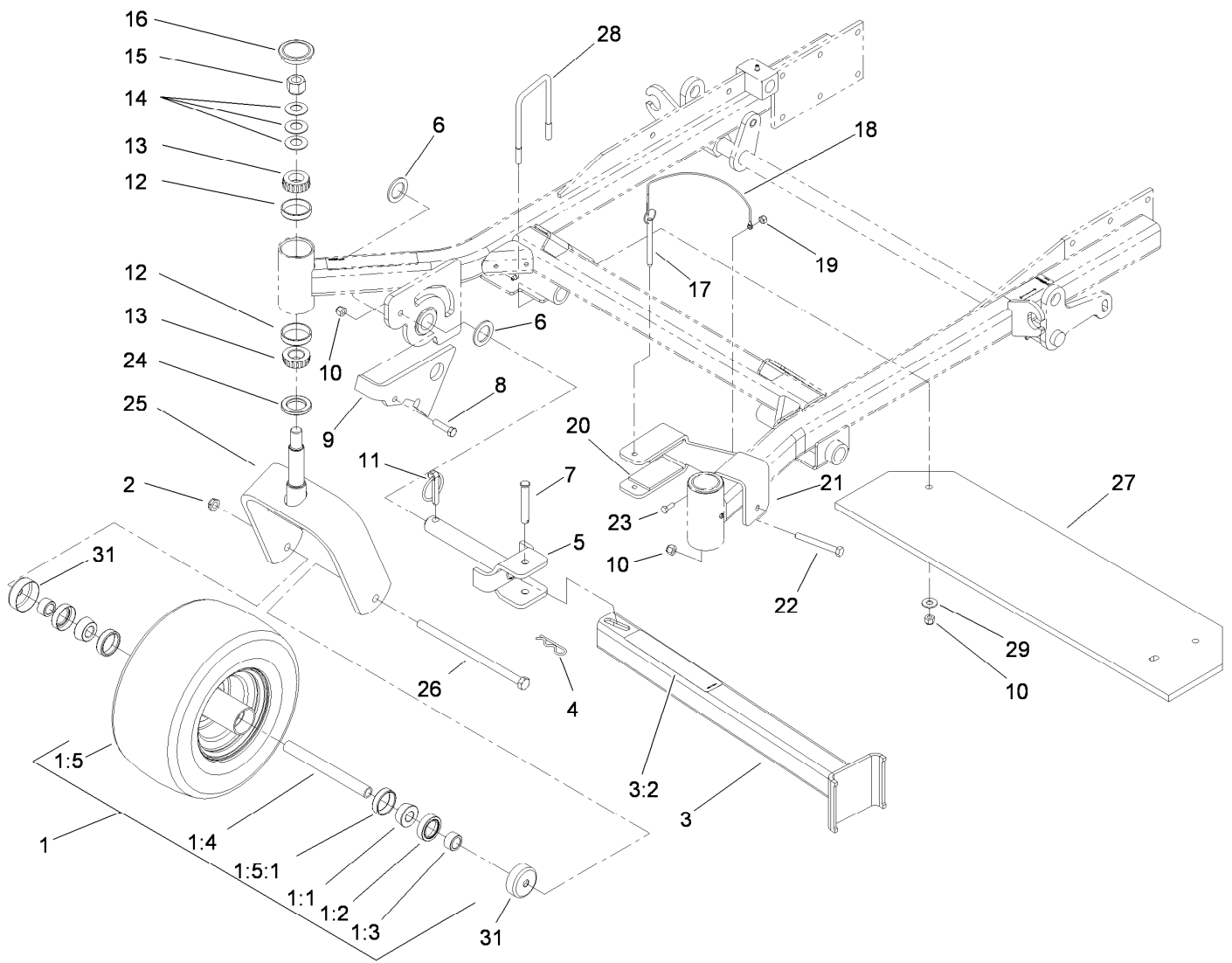
● Not serviced separately



Front Frame Assembly (continued)

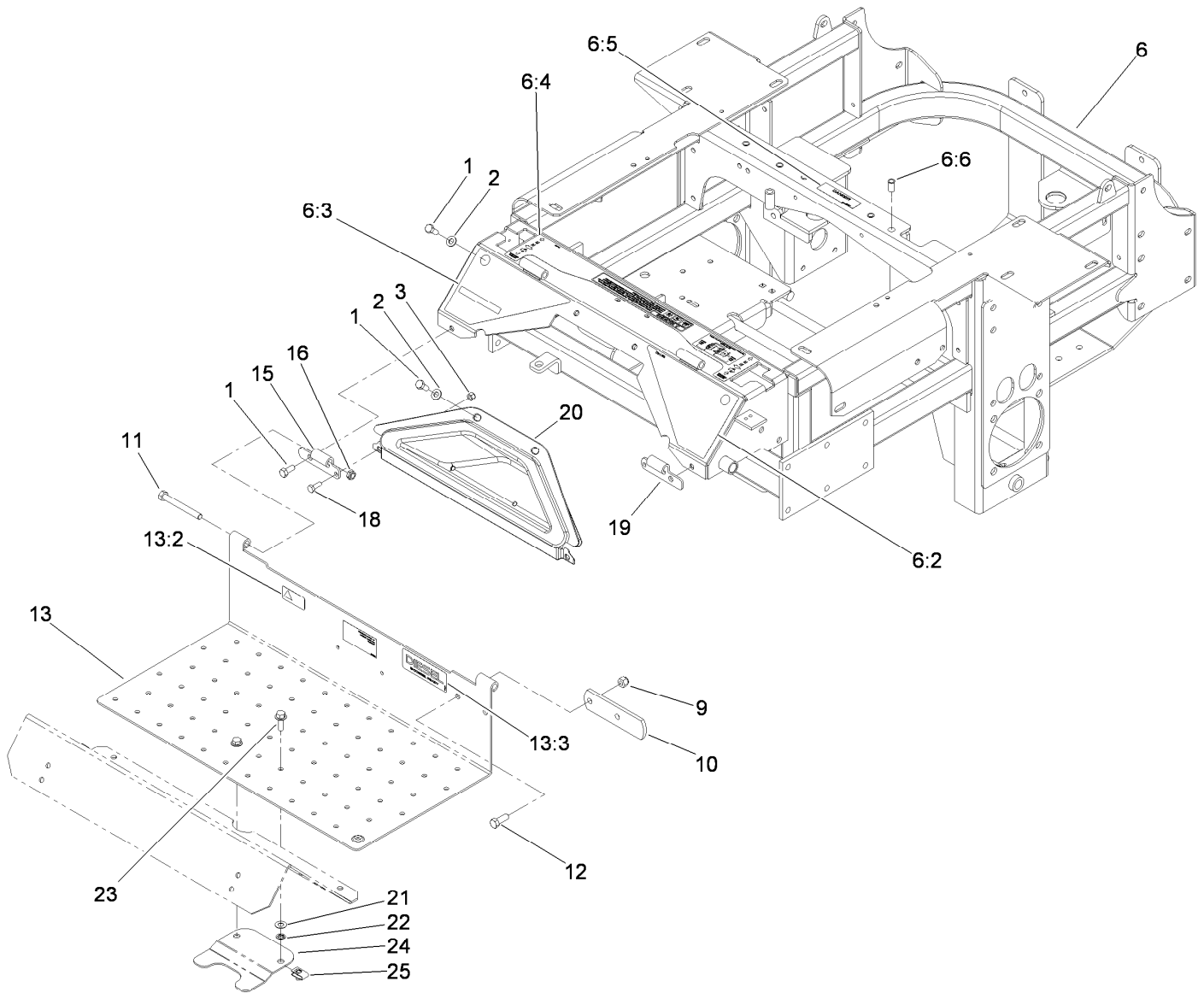
<i>Ref.</i>	<i>Part Number</i>	<i>Qty.</i>	<i>Description</i>
33	106-8984-01	1	Lift-Deck, LH
34	1-633080	1	Bushing-Lever, Lift

● Not serviced separately



Fork, Caster Wheel and Z Stand Assembly

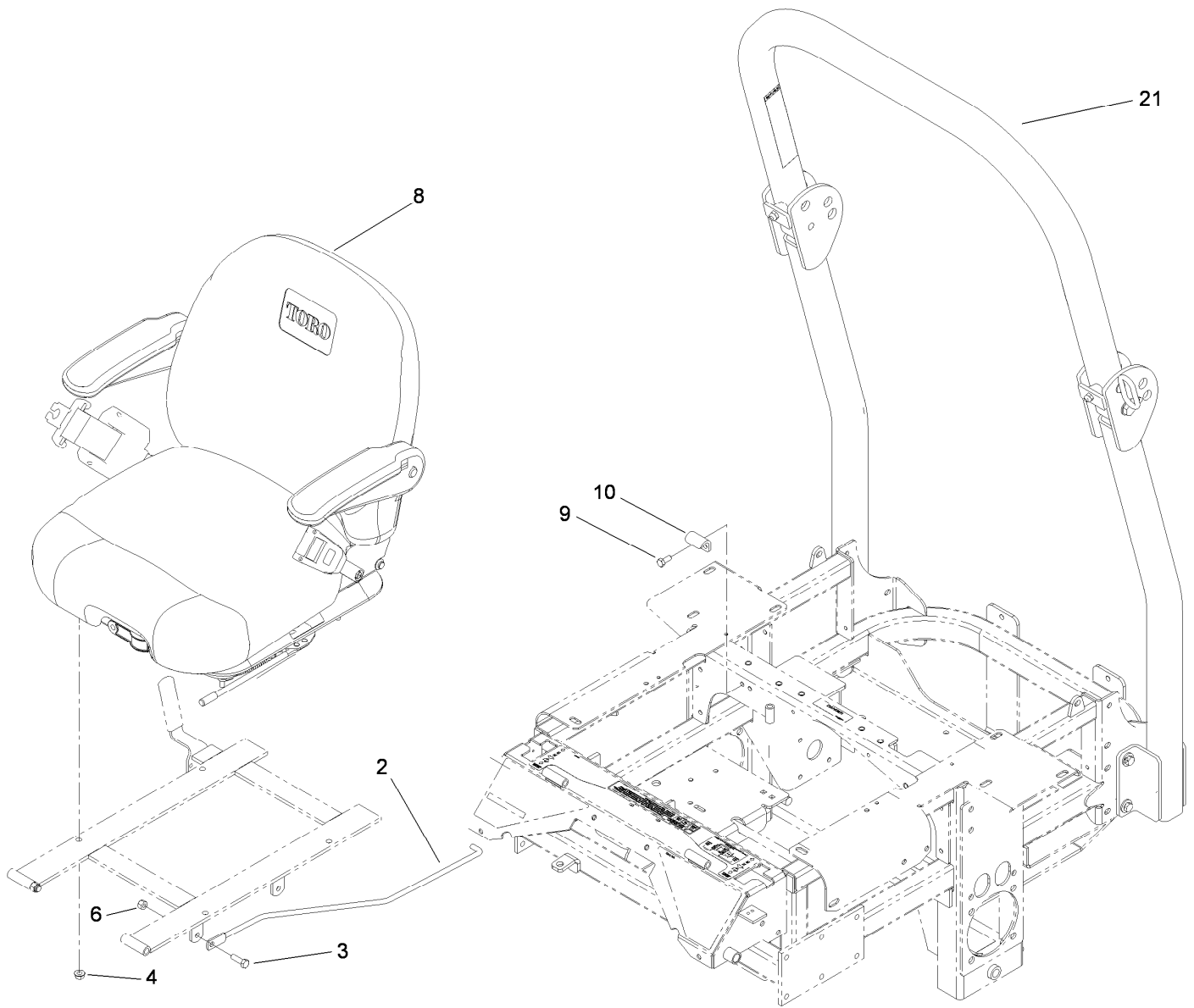
Ref.	Part Number	Qty.	Description	Ref.	Part Number	Qty.	Description
1	109-9125	2	Wheel And Tire ASM	13	254-94	4	Bearing-Cone, Tapered
1:1	1-633585	2	Bearing-Cone, Taper	14	1-633508	6	Washer-Bellville
1:2	103-0063	2	Seal-Caster	15	3296-51	2	Nut-Lock, NI
1:3	103-3051	2	Spacer-Nut	16	103-4882	2	Cap-Grease
1:4	103-5156	1	Axle-Caster	17	105-1647	1	Pin-Hitch, Cotterless
1:5	109-9124	1	Wheel And Tire ASM	18	100-9385	1	Lanyard-Nylon
1:5:1	1-633584	1	Bearing-Cup	19	3296-42	1	Nut-Lock, NI
2	3296-45	2	Nut-Hex	20	100-6547	2	Cushion-Rubber
3	107-1874	1	Leg ASM	21	100-6542-01	1	Bracket-Cradle
3:2	106-7464	1	Decal-Z Stand	22	323-20	1	Screw-HH
4	3290-355	1	Pin-Hair	23	321-4	1	Screw-HH
5	100-9692-01	1	Pin-Pivot	24	1-543511	2	Seal-Grease
6	3-6781	2	Washer-Thrust	25	103-1474-01	2	Caster-Fork
7	283-55	1	Pin-Clevis	26	325-39	2	Screw-HH
8	323-8	1	Screw-HH	27	107-9854-01	1	Bar-Weight
9	100-9686-01	1	Bracket-Latch	28	110-0817	2	U-Bolt, 3In
10	3296-39	6	Nut-Lock, NI	29	3256-4	4	Washer-Flat
11	283-71	1	Pin-Lynch	31	103-2768	4	Guard-Seal
12	254-72	4	Bearing-Cup, Tapered				



Traction Frame and Floor Pan Assembly

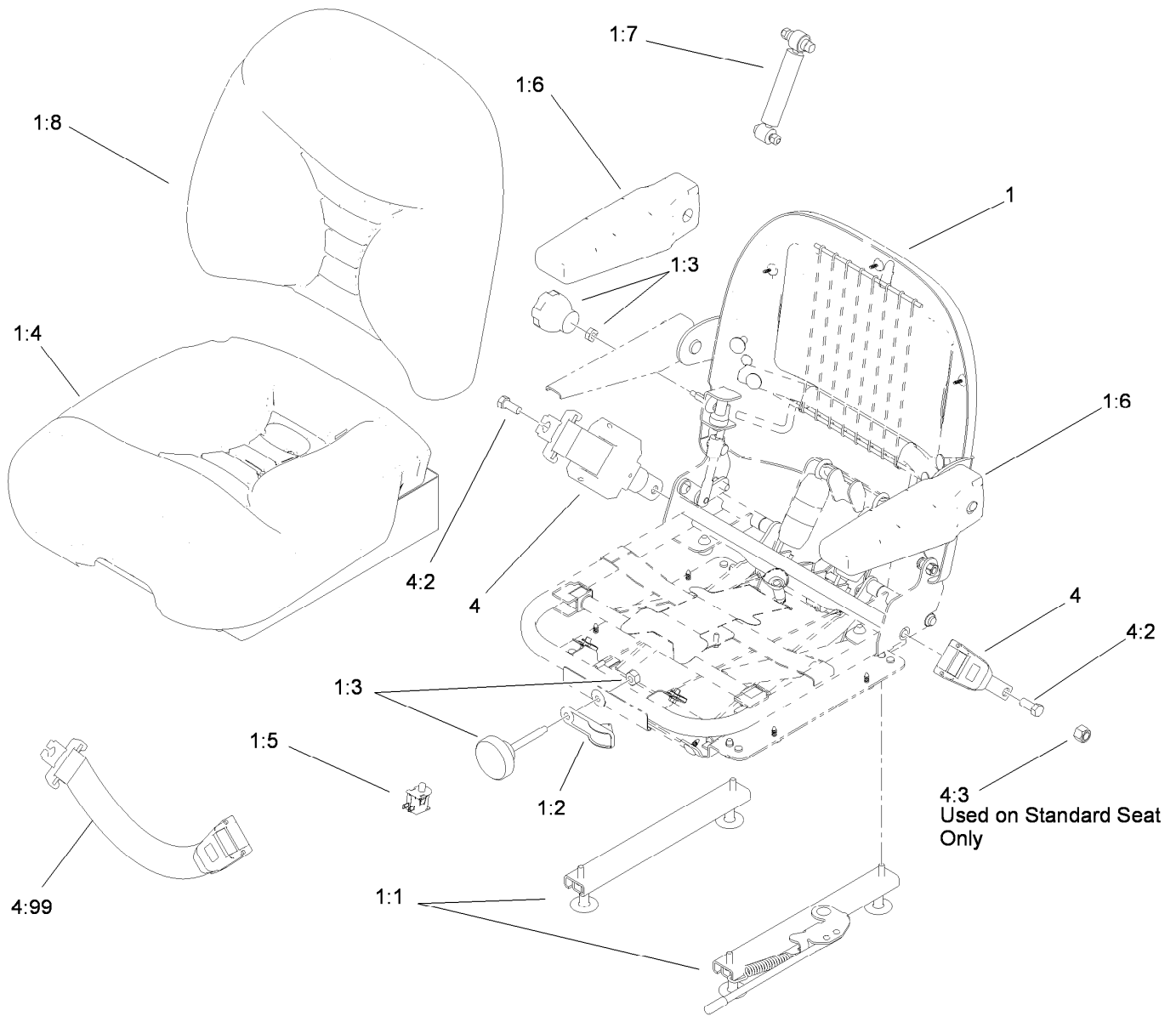
Ref.	Part Number	Qty.	Description
1	322-43	6	Screw-HH
2	3256-70	4	Washer-Flat
3	3296-42	2	Nut-Lock, NI
6	115-2757	1	Traction Frame ASM
6:2	107-3963	1	Decal-Danger, Left
6:3	107-3964	1	Decal-Warning, Right
6:4	110-0820	1	Decal-Console, Top (CE)
6:5	98-1977	1	Decal-Warning
6:6	32148-11	5	Nut-Clinch
9	3296-39	2	Nut-Lock, NI
10	1-633964-03	1	Stop-Brake, Park
11	323-20	2	Screw-HH
12	323-6	2	Screw-HH

Ref.	Part Number	Qty.	Description
13	115-3851	1	Floor Pan ASM
13:2	98-4387	1	Decal-Protection, Ear
13:3	114-5879	1	Decal-Diesel, Bio-Ready
15	106-7488-03	1	Hinge-Floorpan, LH
16	3296-59	2	Nut-Lock, NI
18	321-4	2	Screw-HH
19	106-7489-03	1	Hinge-Floorpan, RH
20	106-7498	1	Pocket
21	73-0041	2	Washer-Thrust
22	117-2749	2	Nut-Push
23	3234-29	2	Screw-HHF
24	119-0395-03	1	Adapter-Captive
25	94-2413	2	Nut-U



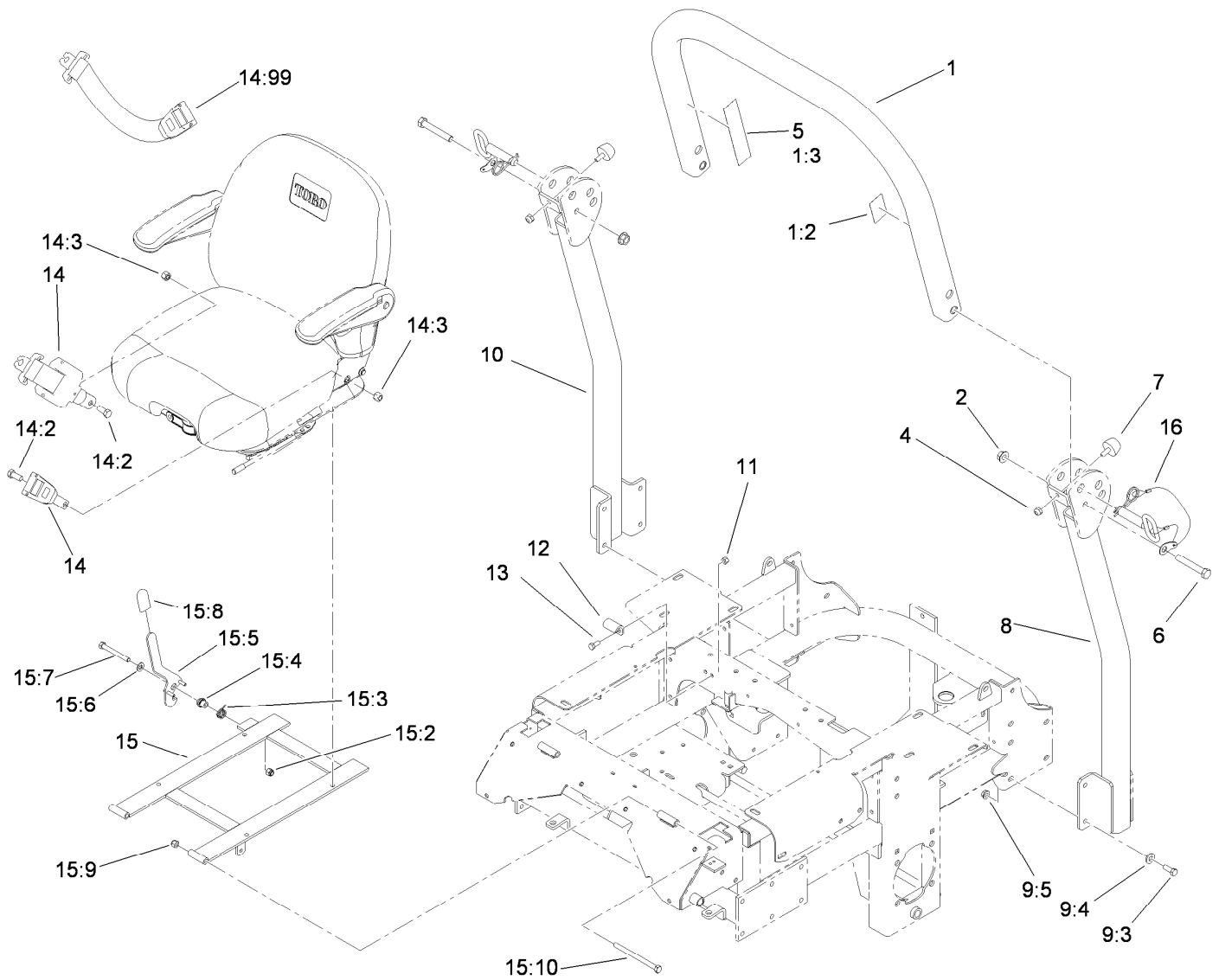
Seat and Roll-Over Protection System Assembly

<i>Ref.</i>	<i>Part Number</i>	<i>Qty.</i>	<i>Description</i>
2	108-5341	1	Rod-Prop, Seat
3	322-5	1	Screw-HH
4	32128-20	4	Nut-HF
6	3296-29	3	Nut-Lock, NI
8	110-0838	1	Deluxe Seat ASM
9	322-3	2	Screw-HH
10	107-3058	1	Catch-Latch, Seat
21	110-0877	1	ROPS Kit



Deluxe Seat Assembly No. 110-0838

Ref.	Part Number	Qty.	Description
1	112-8355	1	Seat-Suspension
1:1	107-1880	1	Seat Track Kit
1:2	107-1885	1	Weight Indicator Kit
1:3	107-1881	1	Knob Kit
1:4	107-1883	1	Bottom Cushion Kit
1:5	82-2190	1	Switch-Bail
1:6	107-1887	1	Pad-Armrest
1:7	107-1884	1	Shock Absorber Kit
1:8	112-8356	1	Cushion-Back
4	110-0883	1	Retractable Seatbelt Kit
4:2	3212-4	2	Screw-HH
4:3	3296-7	2	Nut-Lock
4:99	109-6226	1	Seat Belt Extension Kit

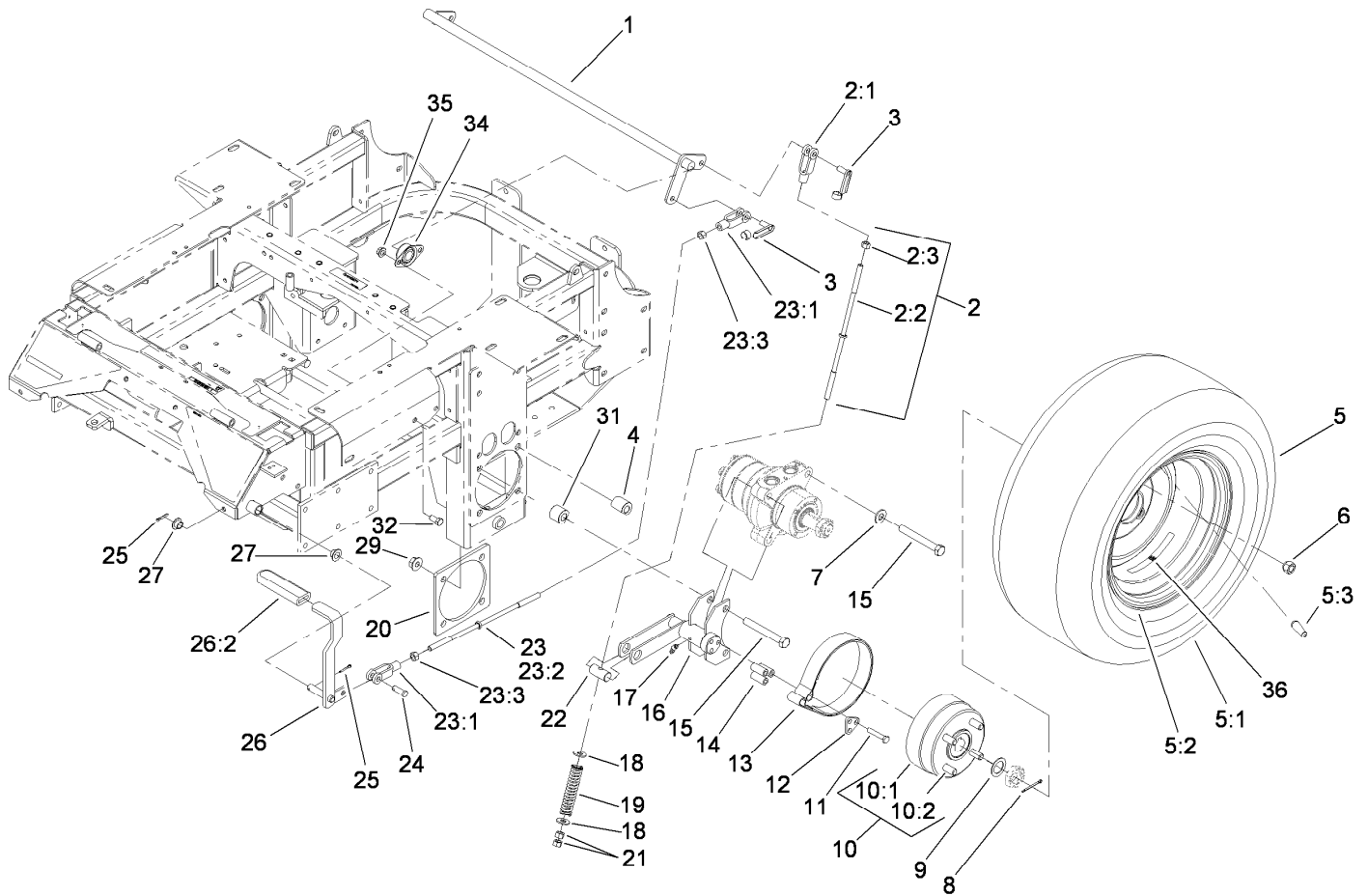


Roll-Over Protection System Assembly No. 110-0877

Ref.	Part Number	Qty.	Description	Ref.	Part Number	Qty.	Description
1		1	Upper Tube ASM ■	13	322-3	2	Screw-HH
1:2	107-2101	1	Decal-ROPS	14	110-0883	1	Retractable Seatbelt Kit
1:3	107-2102	1	Decal-Warning, Folding ROPS	14:2	3212-4	2	Screw-HH
2	32128-23	2	Nut-HF	14:3	3296-7	2	Nut-Lock
4	3296-73	2	Nut-Lock, NI	14:99	109-6226	1	Seat Belt Extension Kit
5	107-3069	1	Decal-Warning	15	110-0874	1	Seatframe ASM
6	325-13	2	Screw-HH	15:2	3296-39	1	Nut-Lock, NI
7	109-2365	2	Bumper-Rubber	15:3	107-0076	1	Spring-Torsion
8		1	Tube-Support, LH ■	15:4	107-0075	1	Bushing-Latch, Seat
9		1	Bag-Bolt, ROPS ● ■	15:5	107-3083	1	Latch ASM
9:3	323-6	8	Screw-HH	15:6	3256-24	1	Washer-Flat
9:4	98-5975	8	Washer-Belleville	15:7	323-20	1	Screw-HH
9:5	3290-357	8	Nut-HHF, Whiz	15:8	103-4434	1	Grip-Lever
10		1	Tube-Support, RH ■	15:9	3296-39	2	Nut-Lock, NI
11	3296-29	2	Nut-Lock, NI	15:10	323-39	2	Screw-HH
12	107-3058	1	Catch-Latch, Seat	16	103-4553	2	Pin-Fold, ROPS

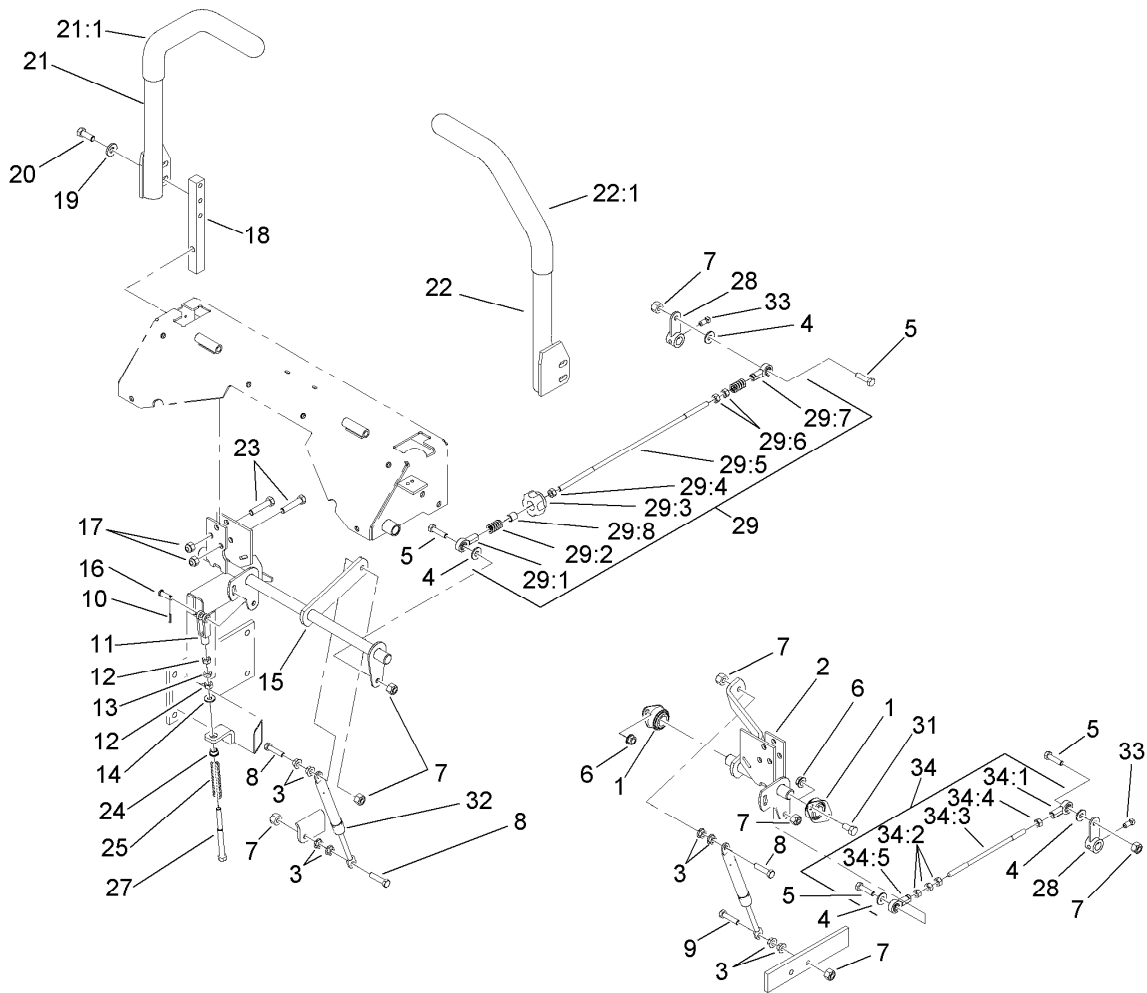
● Not illustrated

■ Not serviced separately



Main Frame and Rear Wheel Assembly

Ref.	Part Number	Qty.	Description	Ref.	Part Number	Qty.	Description
1	1-632217-03	1	Shaft-Brake	16	103-0352-03	2	Bracket-Brake
2	108-5963	2	Brake Rod ASM	17	1481	2	Fitting-Grease
2:1	1-633131	1	Yoke-Linkage, Brake	18	3256-4	4	Washer-Flat
2:2	108-5980	1	Rod-Brake	19	1-633454	2	Spring-Brake
2:3	3219-3	1	Nut-Hex	20	103-3271-03	2	Plate-Reinforcement
3	103-2399	3	Pin-Spring, Clevis	21	3219-3	4	Nut-Hex
4	114-1185	4	Spacer-Wheel, Long	22	1-633144	2	Pin-Trunion
5	109-8972	2	Wheel And Tire ASM	23	108-5962	1	Brake Rod ASM
5:1	1-633993	1	Tire	23:1	1-633131	2	Yoke-Linkage, Brake
5:2	109-3156	1	Rim	23:2	1-633477	1	Rod-Brake
5:3	232-27	1	Stem-Valve	23:3	3219-3	2	Nut-Hex
6	242-50	8	Nut-Lug	24	1-808285	1	Pin-Clevis
7	87-7270	4	Washer-Thrust	25	3272-10	2	Pin-Cotter
8	1-806800	2	Pin-Cotter	26	1-634500	1	Brake Lever ASM
9	1-523157	2	Washer-Spacer	26:2	1-633268	1	Grip-Lever
10	103-0590	2	Wheel Hub ASM	27	1-513140	2	Bearing-Control
10:1	103-0589	1	Hub-Wheel	29	32128-49	8	Nut-HHF
10:2	1-633926	4	Stud-Wheel	31	114-1184	4	Spacer-Wheel, Short
11	322-9	6	Screw-HH	32	323-4	4	Screw-HH
12	103-0374	2	Retainer-Band, Brake	34	1-633102	2	Bearing-Flange, Side
13	103-0355	2	Band-Brake	35	3290-357	4	Nut-HHF, Whiz
14	103-0384	6	Spacer	36	109-7949	2	Decal
15	325-18	8	Screw-HH				

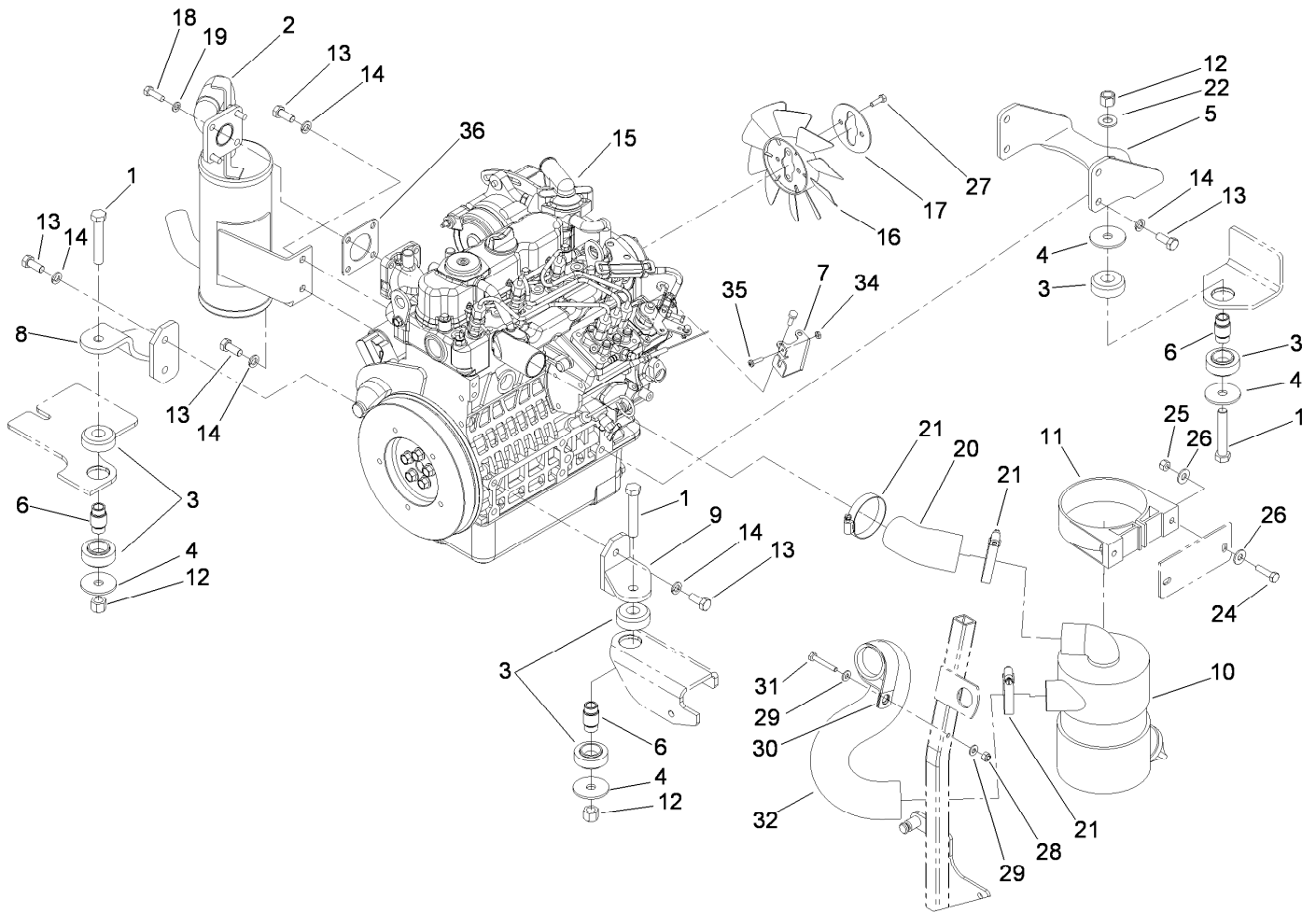


Hydro Control Assembly

Ref.	Part Number	Qty.	Description
1	1-633102	4	Bearing-Flange, Side
2	107-3480	1	Control-Motion, LH
3	32128-20	10	Nut-HF
4	3256-3	4	Washer-Flat
5	322-6	4	Screw-HH
6	3290-357	6	Nut-HHF, Whiz
7	3296-29	8	Nut-Lock, NI
8	1-403180	3	Screw-HH
9	322-41	1	Screw-HH
10	3272-5	2	Pin-Cotter
11	1-303105	2	Yoke-Adjustable
12	3219-2	4	Nut-Hex
13	3220-2	2	Nut-Jam
14	3256-2	2	Washer-Flat
15	107-3481	1	Control-Motion, RH
16	1-808280	2	Pin-Clevis
17	3296-39	6	Nut-Lock, NI
18	103-0407	2	Arm-Shaft, Control
19	98-5975	4	Washer-Belleville
20	323-6	4	Screw-HH
21	108-7237	1	RH Lever ASM
21:1	106-9987	1	Grip-Control, Motion
22	108-7238	1	LH Lever ASM
22:1	106-9987	1	Grip-Control, Motion

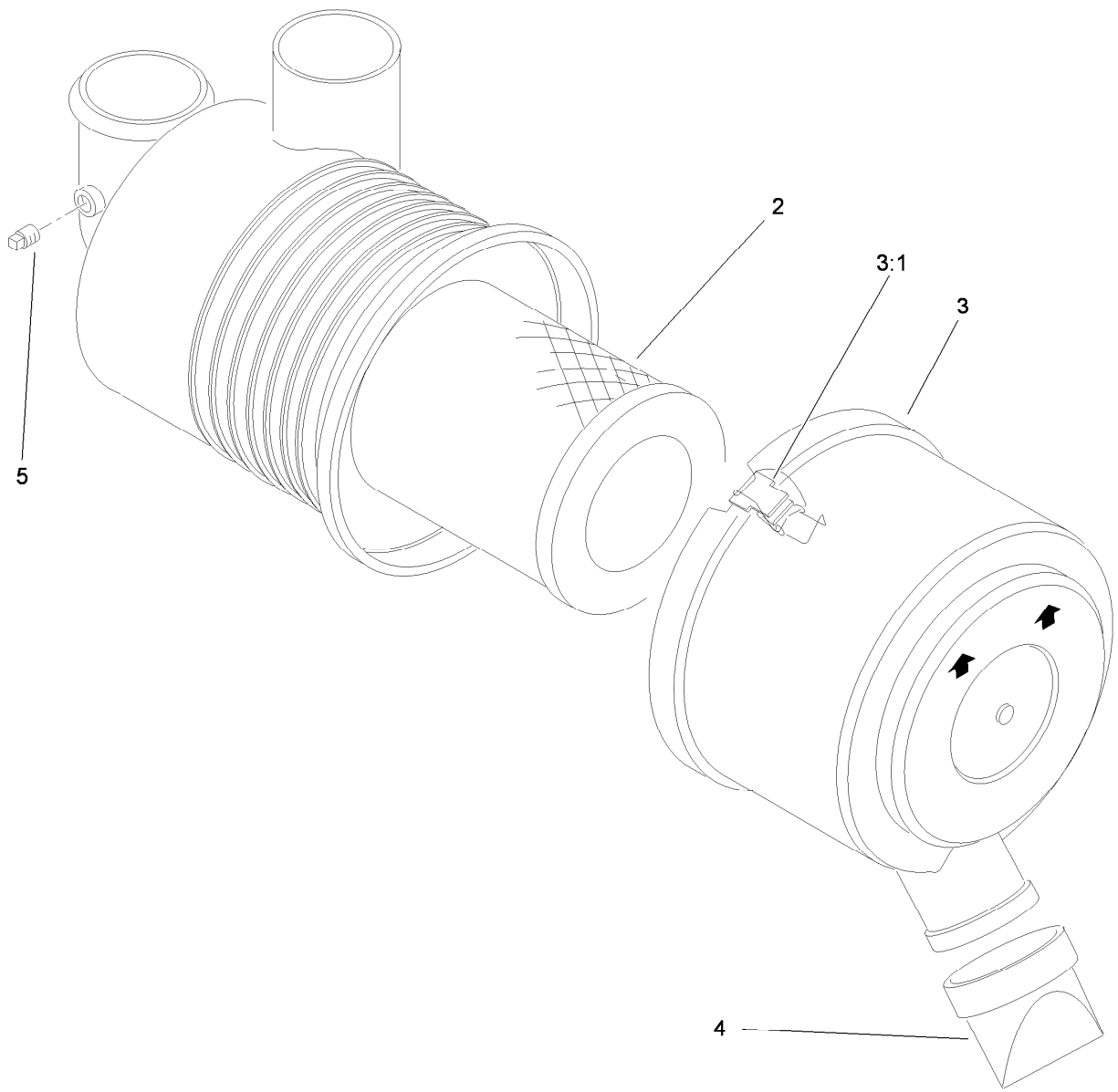
Ref.	Part Number	Qty.	Description
23	323-9	6	Screw-HH
24	1-603735	2	Bushing-Flanged
25	1-603807	2	Spring-Return, Neutral
27	1-603737	2	Bolt-Return, Neutral
28	107-3470-03	2	Arm-Control, Hydraulic
29	107-3474	1	RH Control Rod ASM ●
29:1	1-543017	1	Balljoint-RH
29:2	1-323245	2	Spring-Compression
29:3	103-3060	1	Knob-Tracking
29:4	3219-2	1	Nut-Hex
29:5	107-3472	1	Rod-Control, RH ●
29:6	1-804524	2	Nut
29:7	1-633152	1	Balljoint-LH
29:8	103-1166	1	Spacer-Tube, Pump Link
31	323-4	6	Screw-HH
32	109-2339	2	Damper-Control, Motion
33	1-803022	2	Screw-Set
34	107-3475	1	LH Control Rod ASM ●
34:1	1-543017	1	Balljoint-RH
34:2	3219-2	3	Nut-Hex
34:3	107-3473	1	Rod-Control, LH ●
34:4	1-804524	1	Nut
34:5	1-633152	1	Balljoint-LH

● Not serviced separately



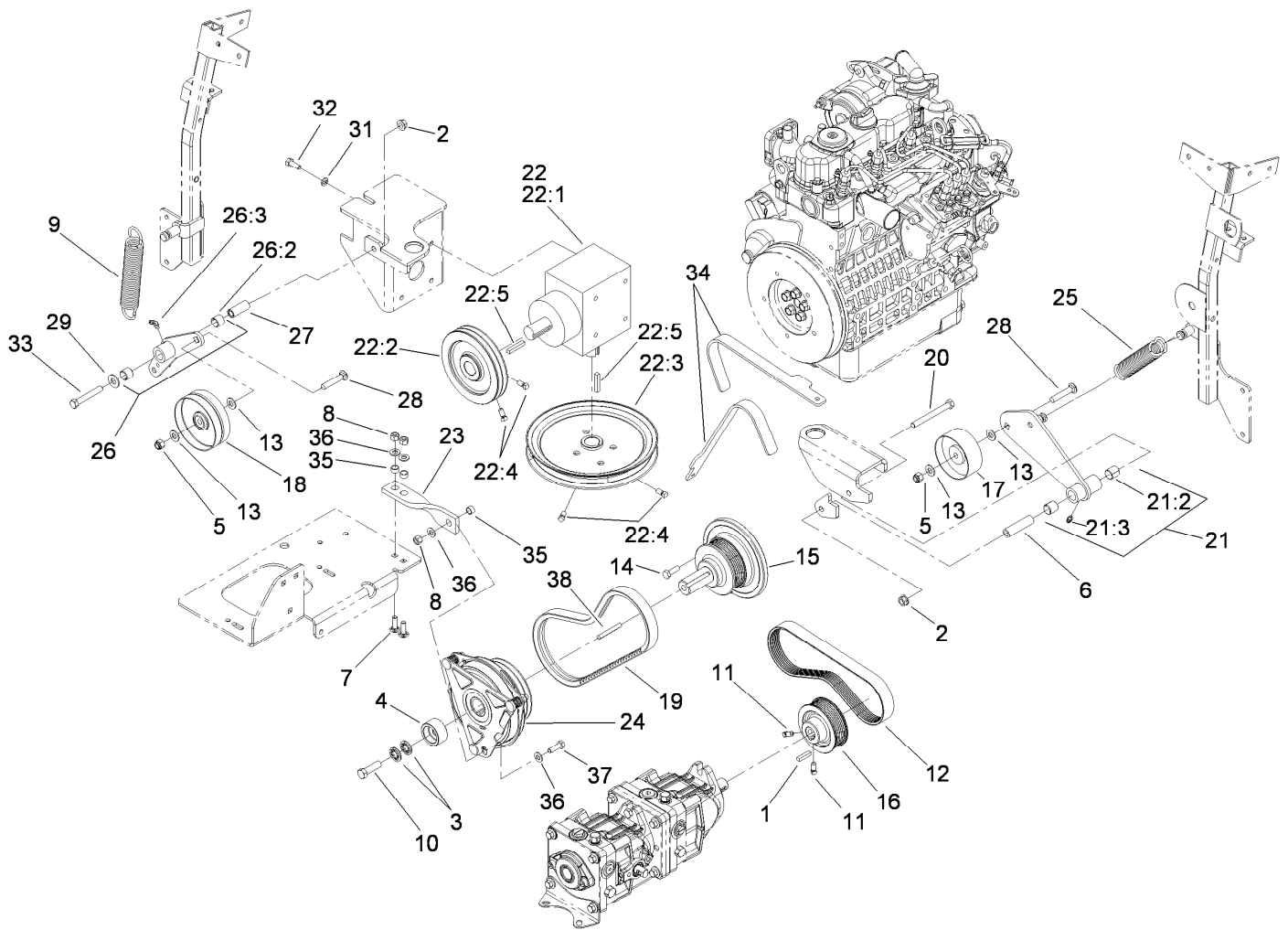
Engine, Exhaust and Air Intake Assembly

Ref.	Part Number	Qty.	Description	Ref.	Part Number	Qty.	Description
1	325-12	3	Screw-HH	18	33114-025	4	Screw-HH
2	107-9909	1	Muffler	19	3253-4	4	Washer-Lock
3	107-9914	3	Mount-Isolation ASM	20	108-5371	1	Hose-Intake, Air Cleaner
4	55-7960	4	Washer-Large	21	1-643009	3	Clamp-Hose
5	107-9917-03	1	Bracket-Engine Mount, Rear	22	3256-26	1	Washer-Flat
6	110-0300	3	Spacer	24	322-6	2	Screw-HH
7	108-5922	1	Bracket-Support, Throttle	25	3296-29	2	Nut-Lock, NI
8	107-9920-03	1	Support-Engine, RH	26	3256-23	4	Washer-Plain
9	107-9930-03	1	Support-Engine, LH	27	33113-020	2	Screw-HH
10	93-2190	1	Air Cleaner ASM	28	3296-42	1	Nut-Lock, NI
11	95-5806	1	Bracket-Mounting	29	3256-22	2	Washer-Flat
12	3296-23	3	Nut-Lock, NI	30	1-643241	1	Clip-Loom
13	43-0090	10	Screw-HH	31	321-10	1	Screw-HH
14	42-9600	10	Washer-Lock	32	108-5370	1	Hose-Intake, Engine
15	114-8220	1	Engine-Kubota	34	3217-26	1	Nut-Hex
16	110-0814	1	Fan	35	110-0863	1	Screw
17	110-0816	1	Plate-Retainer, Fan	36	99-8343	1	Gasket-Muffler



Air Cleaner Assembly No. 93-2190

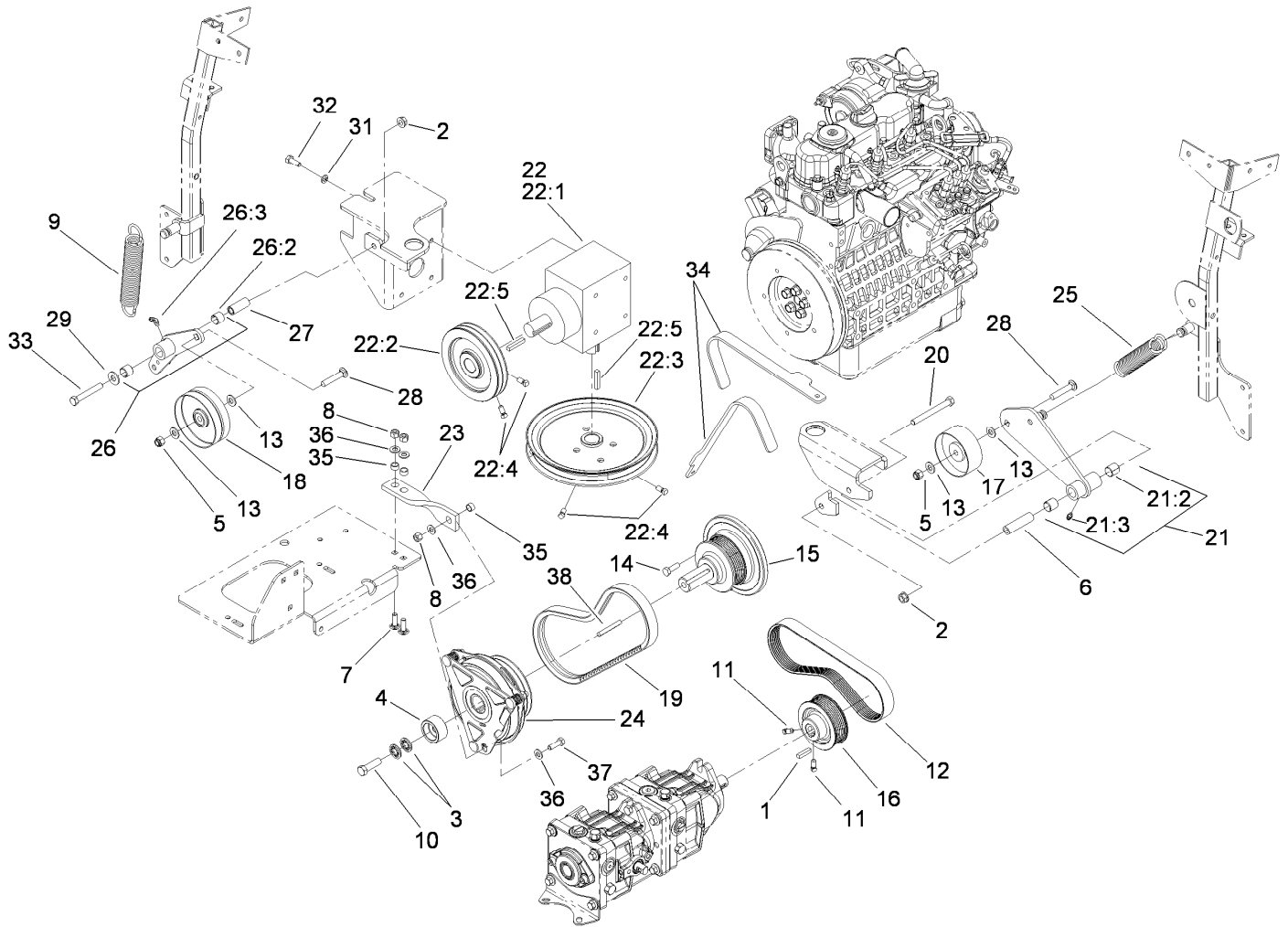
<i>Ref.</i>	<i>Part Number</i>	<i>Qty.</i>	<i>Description</i>
2	108-3811	1	Filter-Air
3	94-3652	1	Cover ASM
3:1	1-643283	2	Latch-Cleaner, Air
4	87-9400	1	Valve-Vacuator
5	285-17	1	Plug-Pipe



Hydro and Gearbox Assembly

Ref.	Part Number	Qty.	Description	Ref.	Part Number	Qty.	Description
1	5-0698	1	Key	19	110-0805	1	Belt-V
2	3290-357	2	Nut-HHF, Whiz	20	323-15	1	Screw-HH
3	1-603610	2	Washer-Spring	21	108-5939	1	Pump Idler Arm ASM
4	114-8152	1	Retainer-Clutch	21:2	1-513034	2	Sleeve-Bearing
5	3296-39	2	Nut-Lock, NI	21:3	302-5	1	Fitting-Grease
6	1-603384	1	Bushing-Pivot, Idler	22		1	Gearbox ASM ●
7	3230-22	2	Screw-CARR	22:1	107-9887	1	Gearbox-90 DEG
8	3296-29	3	Nut-Lock, NI	22:2	108-5912	1	Pulley
9	119-0392	1	Spring-Extension	22:3	110-0893	1	Pulley
10	3212-6	1	Screw-HH	22:4	1-803022	4	Screw-Set
11	1-803022	2	Screw-Set	22:5	67-7490	2	Key-Square
12	107-9910	1	Belt-V	23	112-1781	1	Strap-Stop, Clutch
13	3256-24	5	Washer-Flat	24	112-2320	1	Clutch-Magnetic
14	33114-025	5	Screw-HH	25	119-0394	1	Spring-Extension
15	112-2335	1	Shaft-Stub	26	112-2354	1	Gearbox Idler ASM (W/Bearings)
16	108-5976	1	Pulley	26:2	103-4681	2	Sleeve-Bearing
17	108-5910	1	Pulley-Flat	26:3	1481	1	Fitting-Grease
18	110-0803	1	Pulley-Flat				

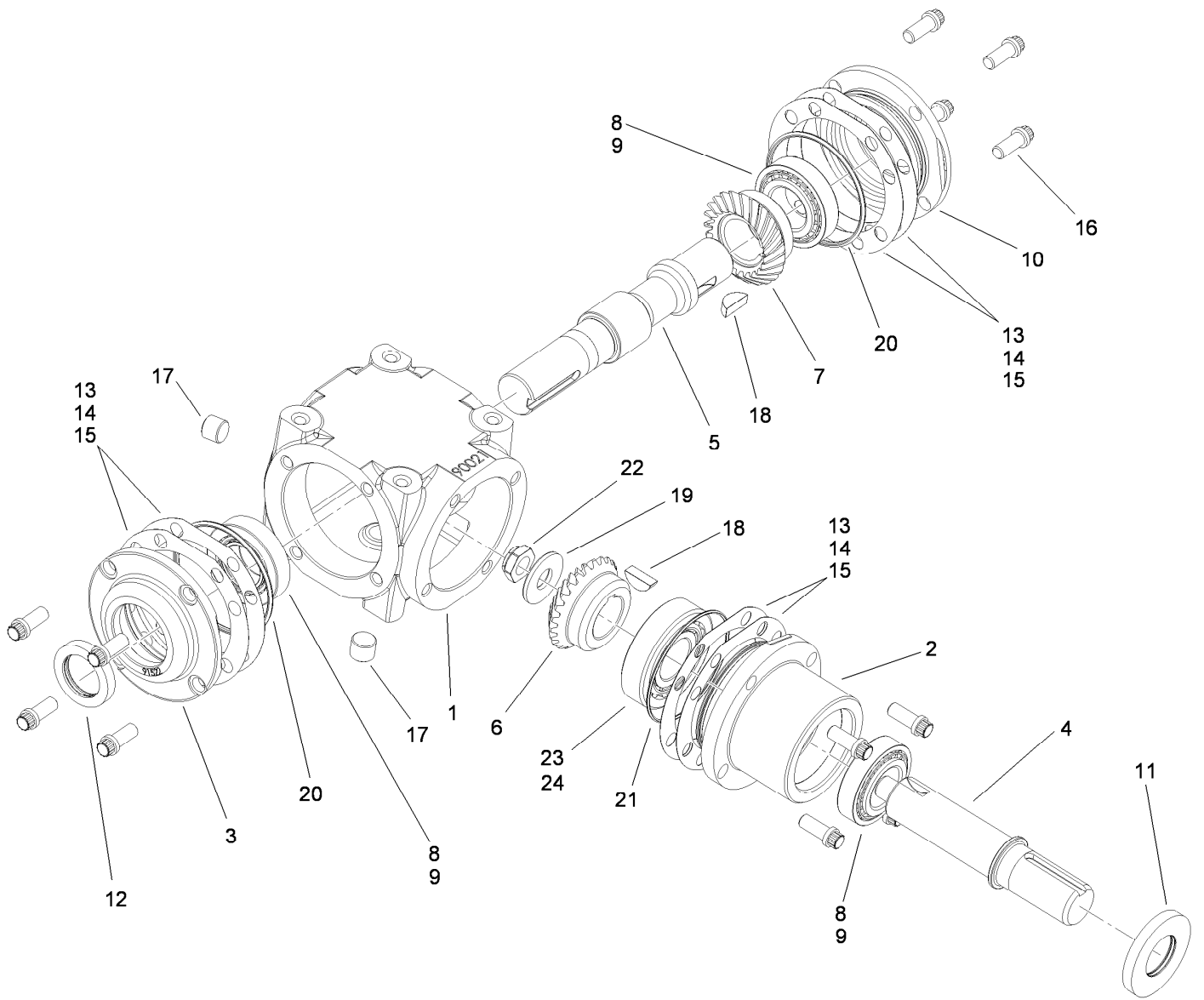
● Not serviced separately



Hydro and Gearbox Assembly (continued)

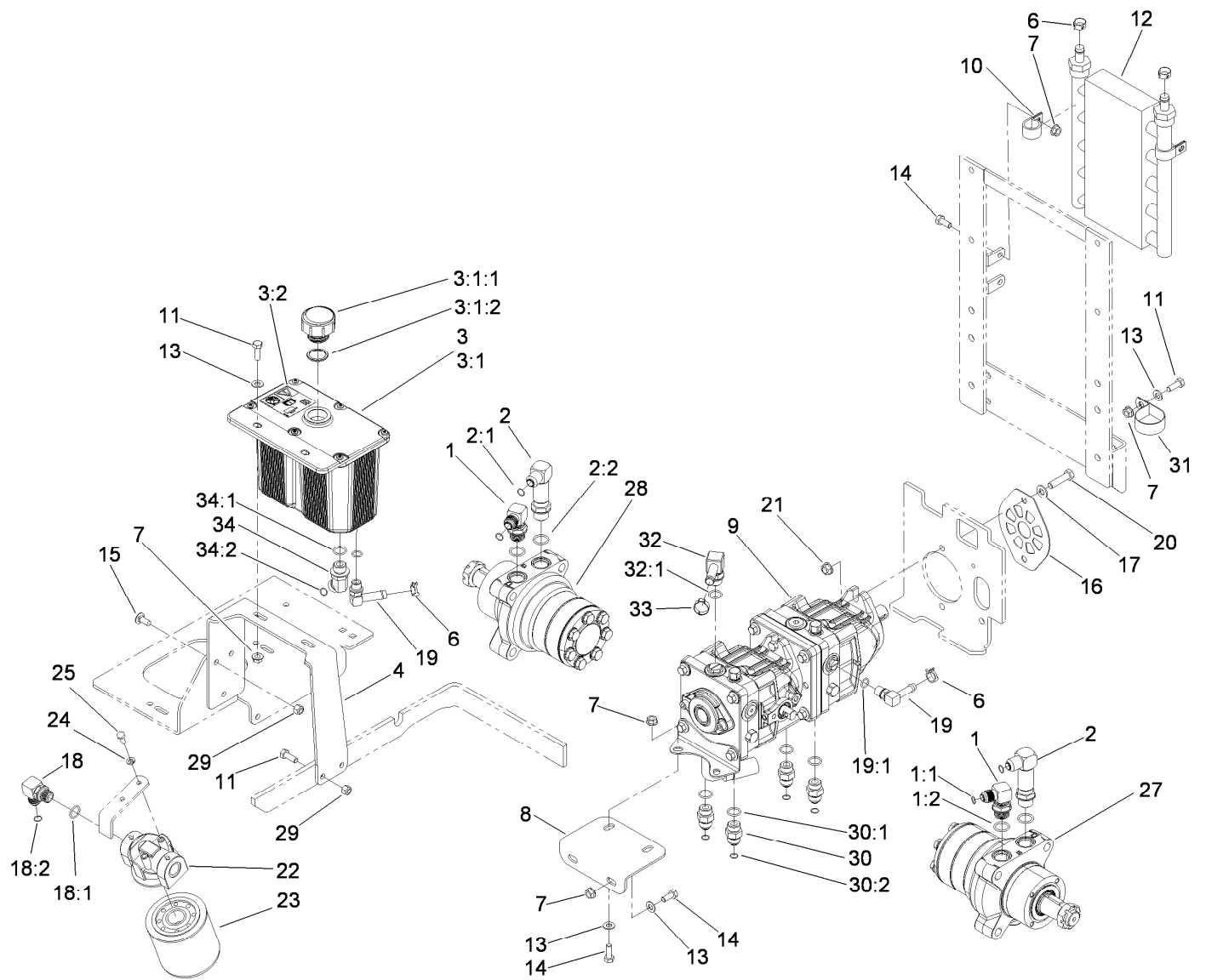
<i>Ref.</i>	<i>Part Number</i>	<i>Qty.</i>	<i>Description</i>	<i>Ref.</i>	<i>Part Number</i>	<i>Qty.</i>	<i>Description</i>
27	1-603044	1	Bushing	34	110-0876	1	Tool-Alignment, Pulley
28	3231-6	2	Screw-CARR	35	65-9820	3	Spacer
29	3256-4	1	Washer-Flat	36	3256-23	4	Washer-Plain
31	3253-4	4	Washer-Lock	37	322-5	1	Screw-HH
32	322-4	4	Screw-HH	38	5-1336	1	Key-Square
33	323-12	1	Screw-HH				

● Not serviced separately



Gearbox Assembly No. 107-9887

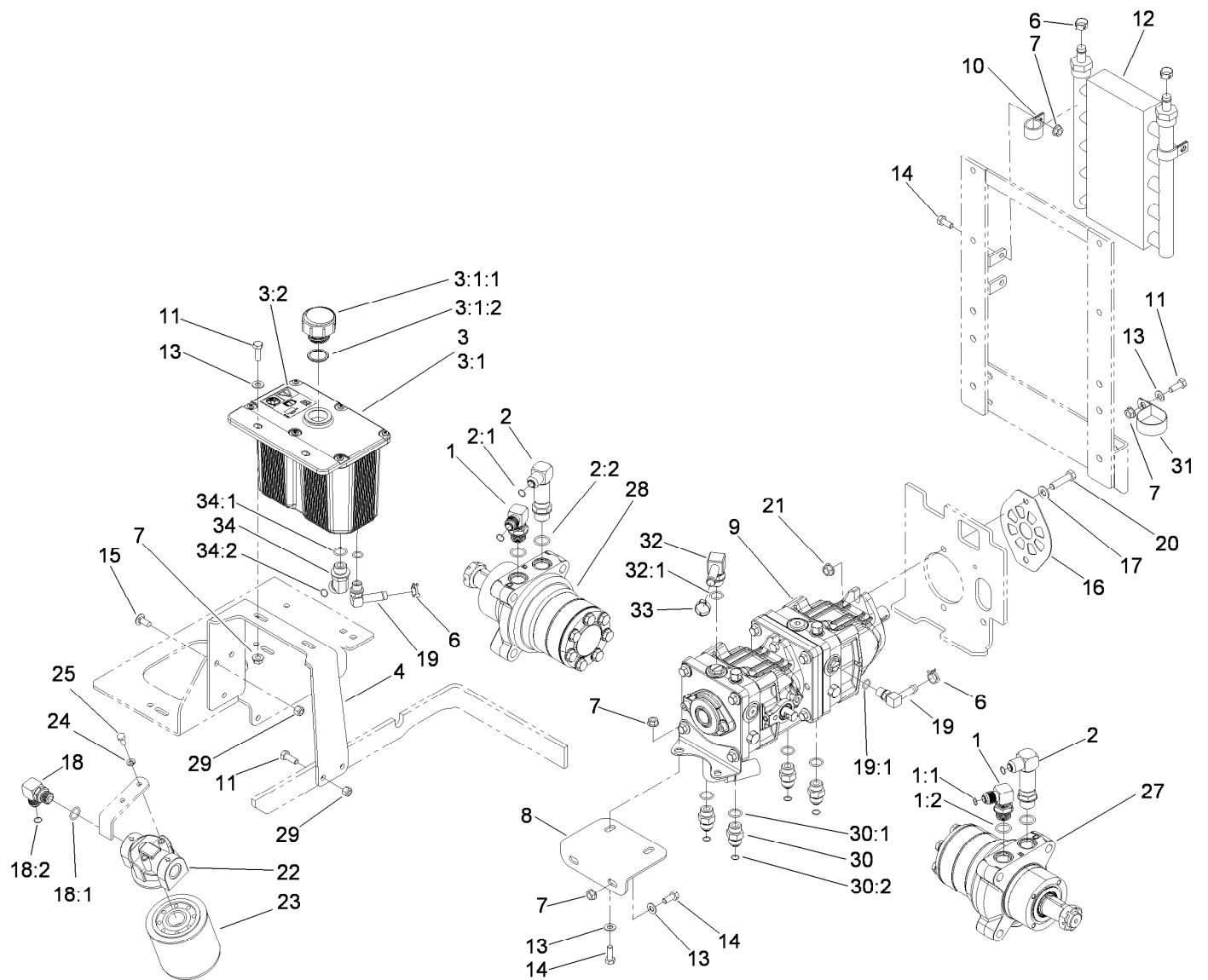
<i>Ref.</i>	<i>Part Number</i>	<i>Qty.</i>	<i>Description</i>	<i>Ref.</i>	<i>Part Number</i>	<i>Qty.</i>	<i>Description</i>
1	110-0843	1	Case	13	100-4591	1	Shim-Brown, .010In
2	110-0853	1	Housing-Pinion	14	100-4592	1	Shim-Blue, .005In
3	100-4566	1	Cap-End, Open	15	100-4593	1	Shim-Green, .003In
4	110-0844	1	Shaft-Pinion	16	100-4578	12	Screw
5	110-0845	1	Shaft-Cross	17	100-4579	2	Plug
6	110-0847	1	Gear-Shaft, Cross	18	3257-33	2	Key-Woodruff
7	110-0846	1	Gear-Pinion	19	100-4581	1	Washer
8	110-0848	3	Bearing-Cup	20	100-4582	2	O-Ring
9	110-0849	3	Bearing-Cone	21	110-0851	1	O-Ring
10	100-4574	1	Cap-End, Closed	22	110-0852	1	Nut Lock
11	100-4575	1	Seal	23	100-5817	1	Bearing-Cup
12	110-0850	1	Seal-Shaft, Cross	24	100-5816	1	Bearing-Cone



Hydraulic Tank, Motor and Pump Assembly

Ref.	Part Number	Qty.	Description	Ref.	Part Number	Qty.	Description
1	1-633605	2	Fitting-HYD, 90 DEG	12	114-8168	1	Cooler-Oil, Hydro
1:1	1-603992	1	O-Ring	13	3256-23	7	Washer-Plain
1:2	237-80	1	O-Ring	14	322-3	8	Screw-HH
2	108-5323	2	Fitting-Elbow-90	15	3230-23	3	Screw-CARR
2:1	1-603992	1	O-Ring	16	108-5367-03	1	Plate-Shield, Pump
2:2	237-80	1	O-Ring	17	3256-24	2	Washer-Flat
3	108-5320	1	Hydraulic Tank ASM	18	103-2153	1	Fitting-90 DEG
3:1		1	Tank-Hydraulic ●	18:1	1-603920	1	O-Ring
3:1:1	103-1948	1	Cap-Reservoir, HYD	18:2	1-603992	1	O-Ring
3:1:2	103-1949	1	Gasket-Cap	19	109-6449	2	Fitting-Elbow, 90
3:2	115-4212	1	Decal-Warning	19:1	237-42	1	O-Ring
4	108-5352-03	1	Bracket-Tank, Hydraulic	20	323-8	2	Screw-HH
6	110-6242	4	Clamp-Hose	21	3290-357	2	Nut-HHF, Whiz
7	32128-20	11	Nut-HF	22	86-9080	1	Head-Filter
8	107-3462-03	1	Bracket-Pump, Front	23	67-8110	1	Cartridge-Filter, Oil
9	107-9885	1	Tandem Pump ASM	24	1-805004	2	Washer-Lock
10	110-0824	4	R-Clamp	25	321-3	2	Screw-HH
11	322-5	4	Screw-HH	27	112-8357	1	HYD Motor ASM (CCW)

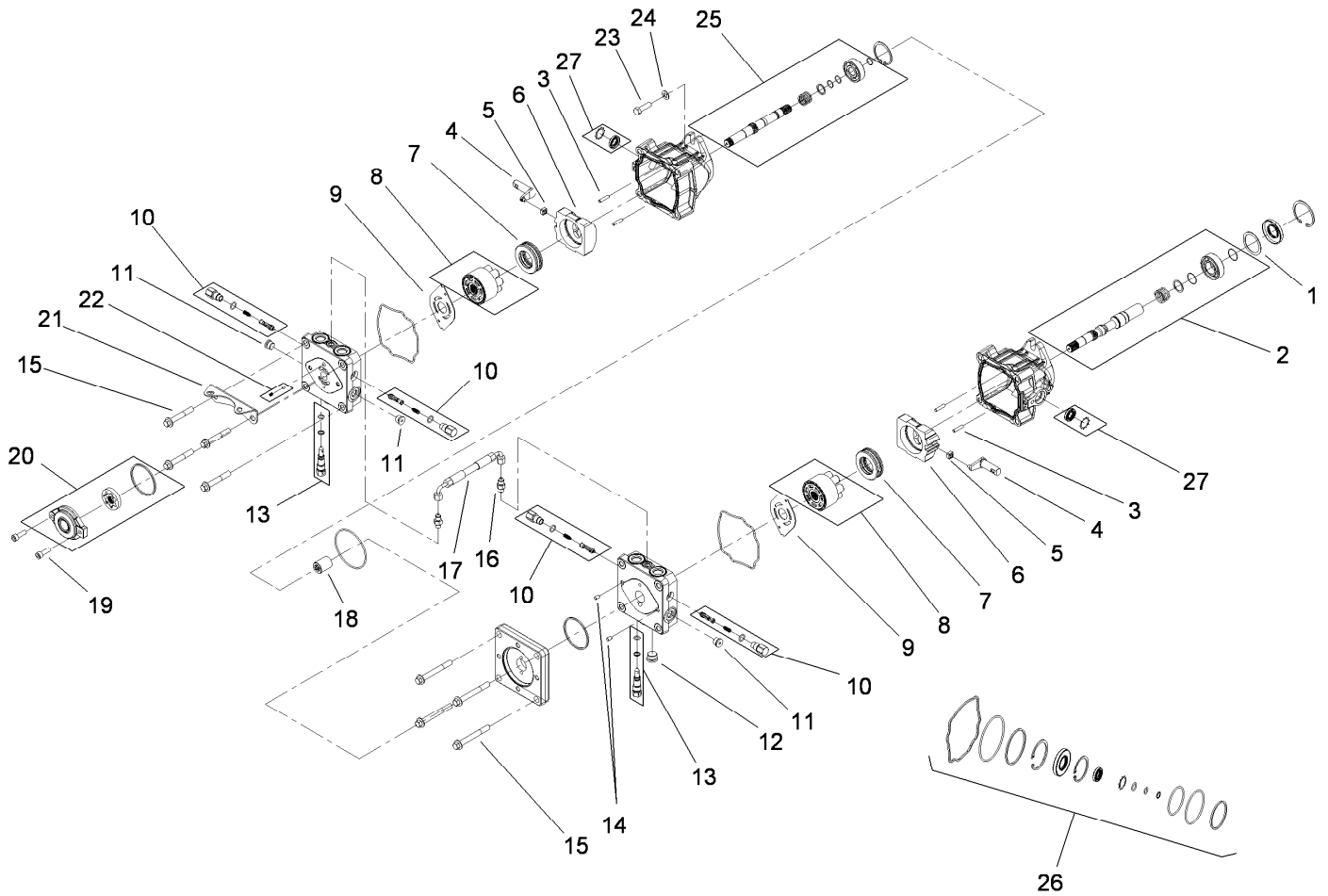
● Not serviced separately



Hydraulic Tank, Motor and Pump Assembly (continued)

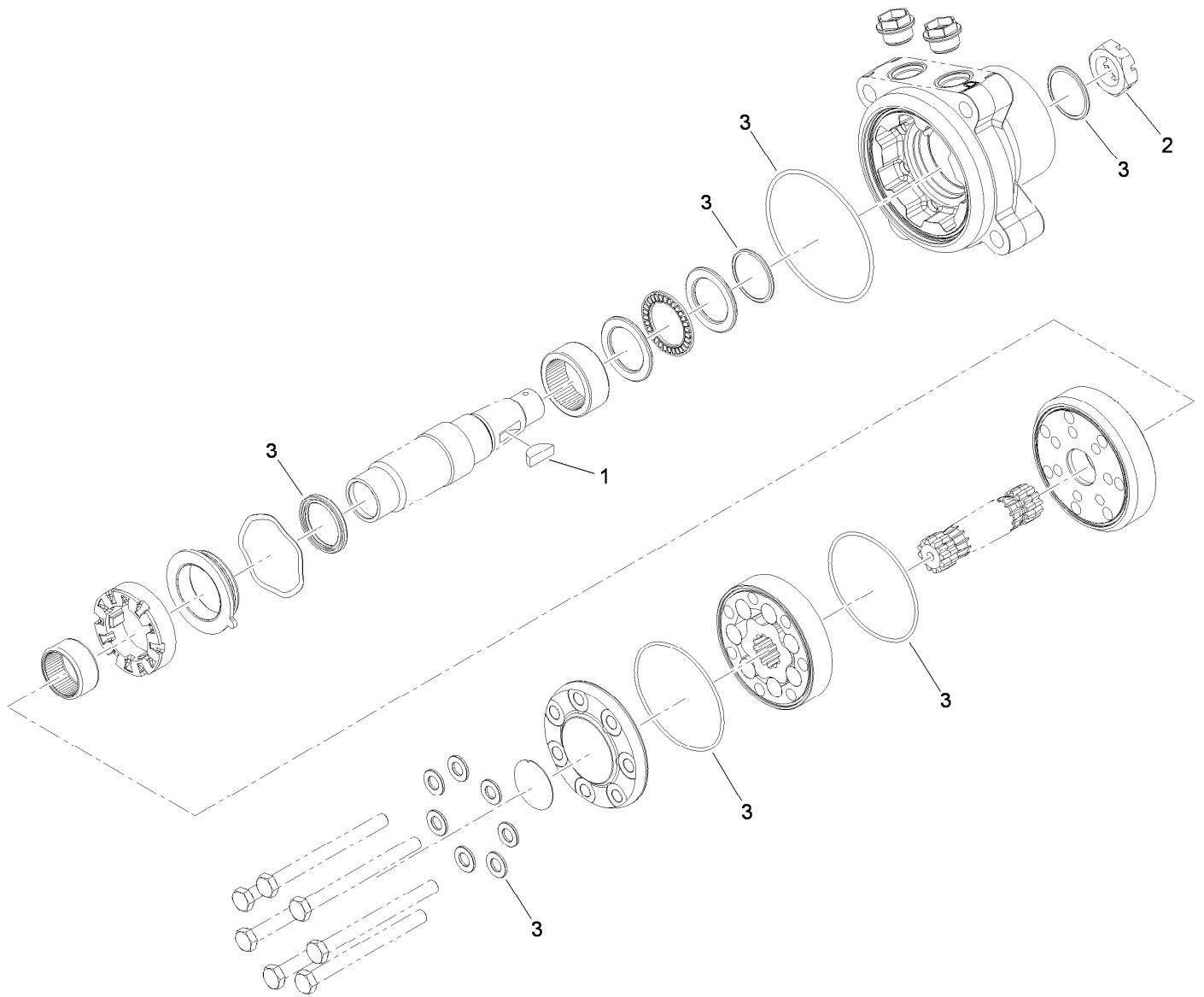
Ref.	Part Number	Qty.	Description	Ref.	Part Number	Qty.	Description
28	112-8358	1	HYD Motor ASM (CW)	32	108-5316	1	Fitting-Elbow, 90 DEG
29	3296-29	4	Nut-Lock, NI	32:1	237-79	1	O-Ring
30	1-603990	4	Fitting-Straight	33	103-2104	1	Clamp-Hose
30:1	1-603920	1	O-Ring	34	1-523221	1	Fitting-HYD, 45 DEG
30:2	1-603992	1	O-Ring	34:1	1-603920	1	O-Ring
31	2412-147	1	Clamp-R	34:2	1-603992	1	O-Ring

● Not serviced separately



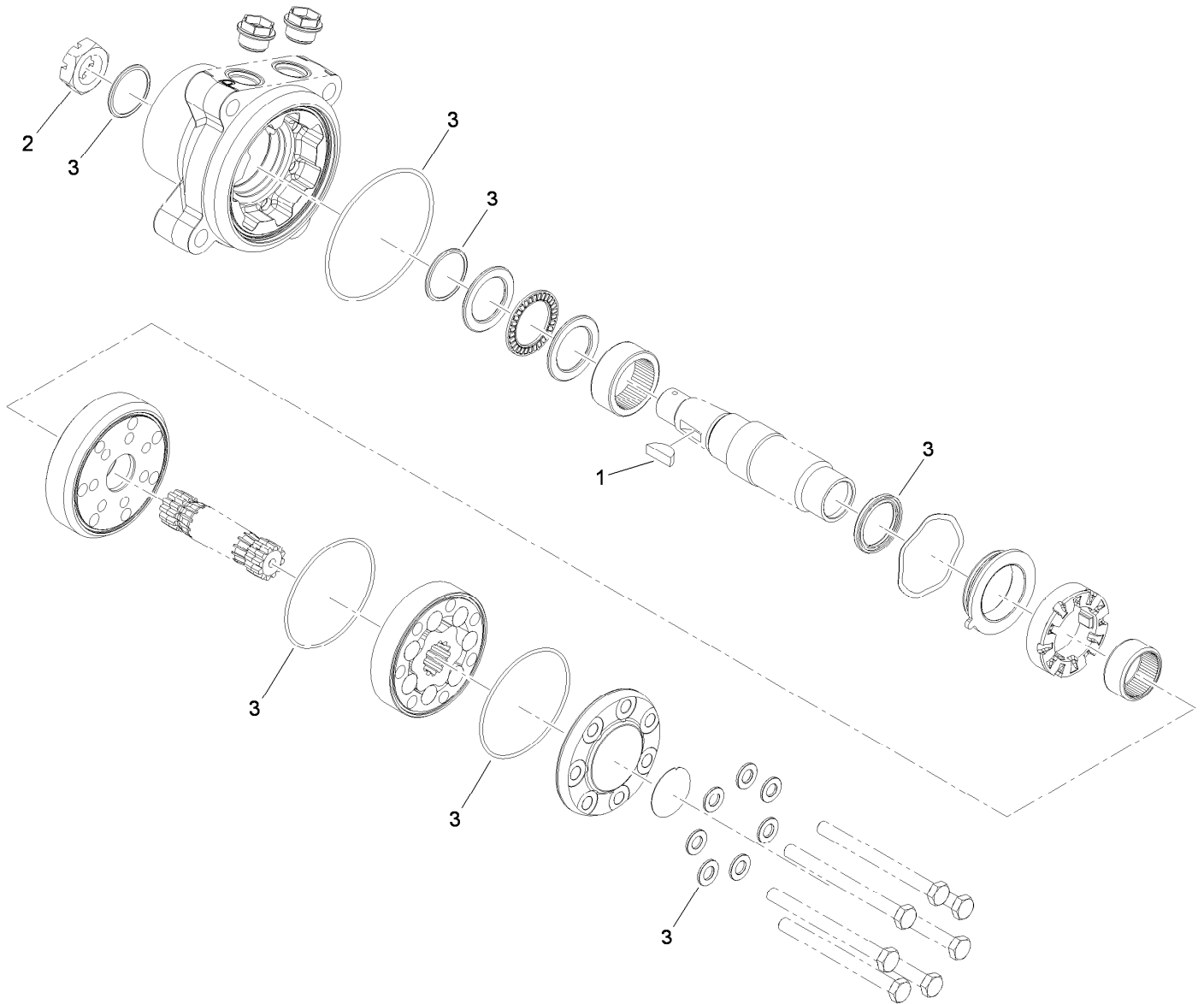
Tandem Pump Assembly No. 107-9885

<i>Ref.</i>	<i>Part Number</i>	<i>Qty.</i>	<i>Description</i>	<i>Ref.</i>	<i>Part Number</i>	<i>Qty.</i>	<i>Description</i>
1	112-4168	1	Spacer	15	112-4157	8	Bolt
2	112-4151	1	Input Pump Shaft Kit	16	117-7842	2	Fitting-Straight
3	106-8753	4	Pin-Headless, Straight	17	117-7843	1	Hose ASM
4	112-4152	2	Arm-Trunnion	18	112-4160	1	Coupling
5	94-1910	2	Guide-Slot	19	112-4161	2	Bolt
6	112-4153	2	Swashplate	20	112-4162	1	Charge Pump Kit
7	112-4154	2	Bearing-Thrust	21	112-4163	1	Bracket-Support, Pump
8	108-2112	2	Cylinder Block Kit	22	112-4164	1	Charge Relief Kit
9	108-6801	2	Plate-Valve	23	112-4165	2	Bolt-HSH
10	112-4155	4	Shock Valve Kit	24	112-4166	2	Washer
11	104-2189	3	Plug-Thread, Straight	25	112-4167	1	Second Pump Shaft Kit
12	112-4156	1	Plug-Steel	26	112-4150	1	Overhaul Seal Kit
13	106-8759	2	Bypass Valve Kit	27	114-8155	1	Trunnion Seal Kit
14	104-2170	2	Pin				



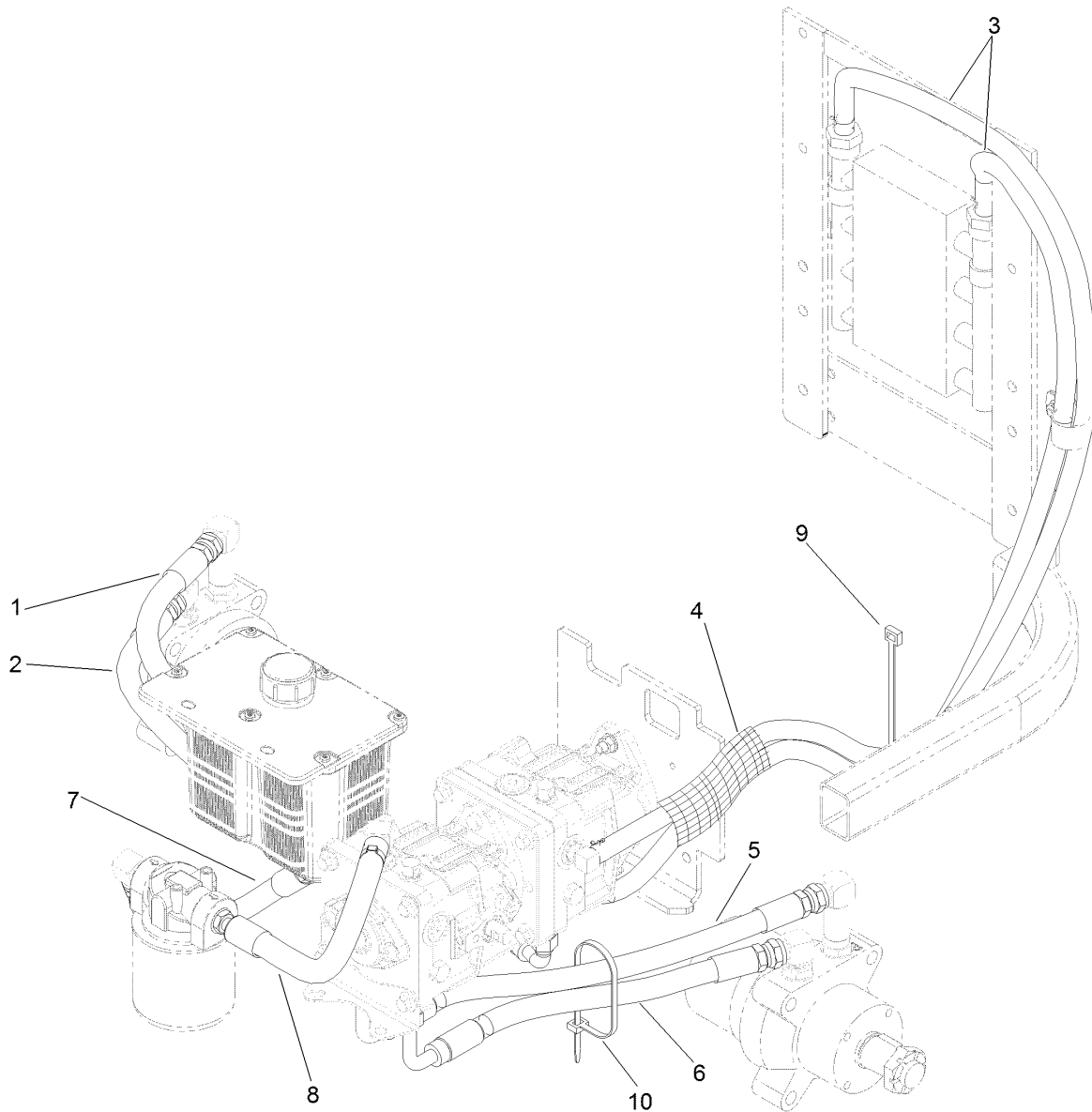
Hydraulic Motor Assembly No. 112-8357 (CCW)

<i>Ref.</i>	<i>Part Number</i>	<i>Qty.</i>	<i>Description</i>
1	3257-42	1	Key-Woodruff
2	1-809036	1	Nut-HH
3	109-5966	1	Wheel Motor Seal Kit



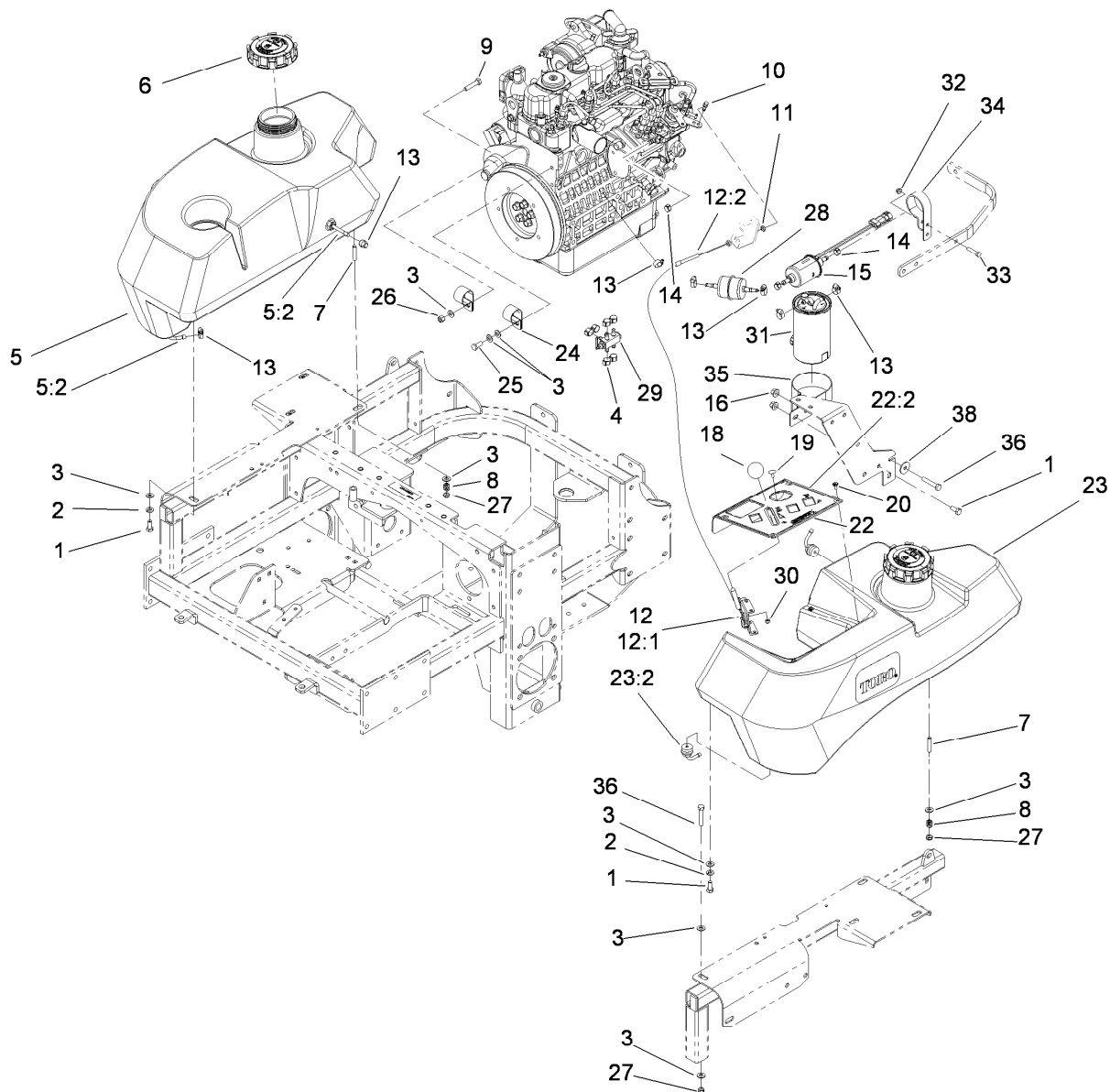
Hydraulic Motor Assembly No. 112-8358 (CW)

<i>Ref.</i>	<i>Part Number</i>	<i>Qty.</i>	<i>Description</i>
1	3257-42	1	Key-Woodruff
2	1-809036	1	Nut-HH
3	109-5966	1	Wheel Motor Seal Kit



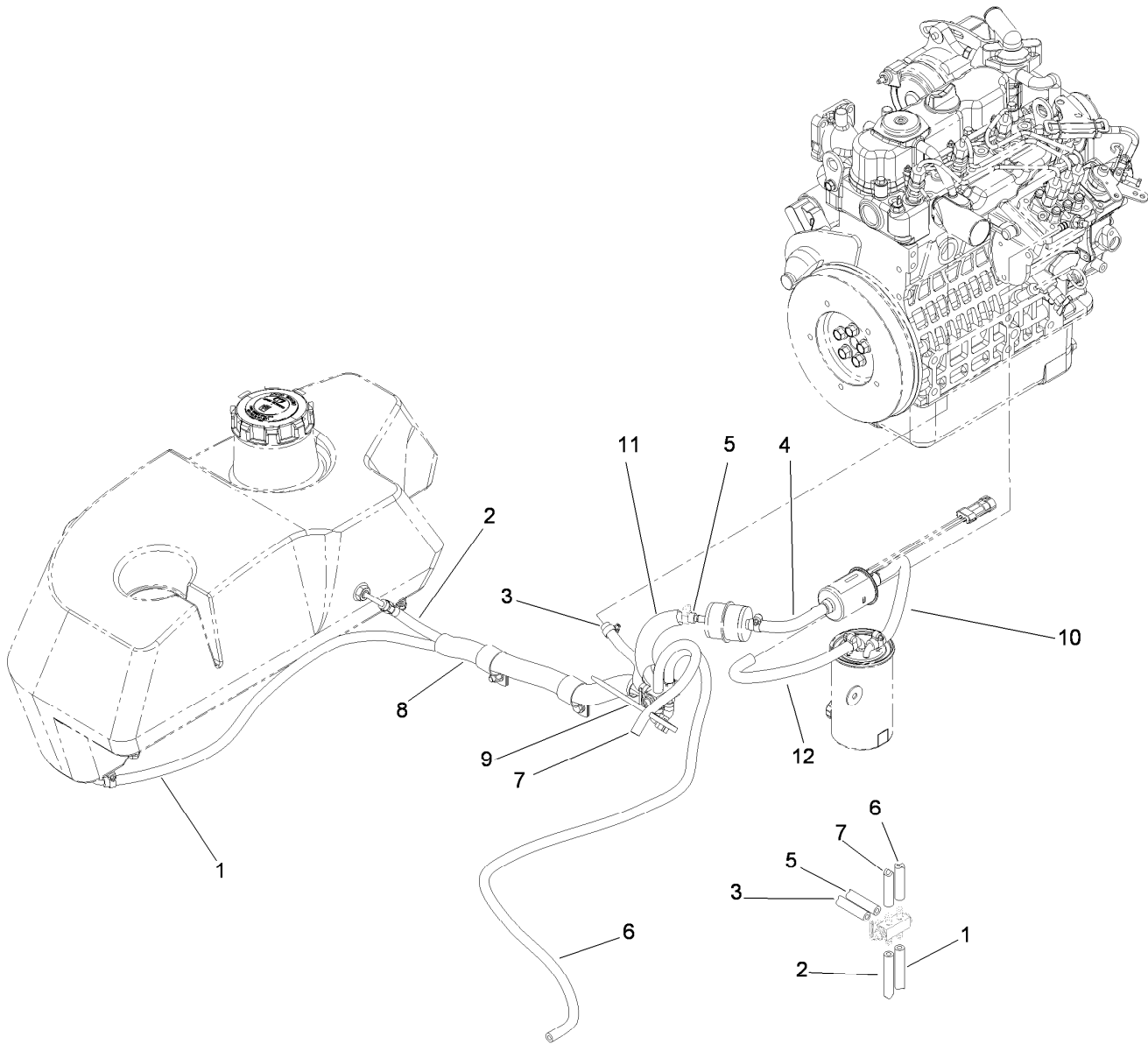
Hydraulic Hose System Assembly

<i>Ref.</i>	<i>Part Number</i>	<i>Qty.</i>	<i>Description</i>
1	107-3495	1	Hydraulic Hose ASM
2	107-3490	1	Hydraulic Hose ASM
3	114-8169	2	Hose-Hydraulic
4	114-8201	1	Sleeve-Fabric
5	108-5318	1	Hydraulic Hose ASM
6	107-3491	1	Hydraulic Hose ASM
7	110-3854	1	Hydraulic Hose ASM
8	108-5374	1	Hydraulic Hose ASM
9	1-303335	1	Tie-Plastic
10	1-809066	1	Cable Tie-Plastic



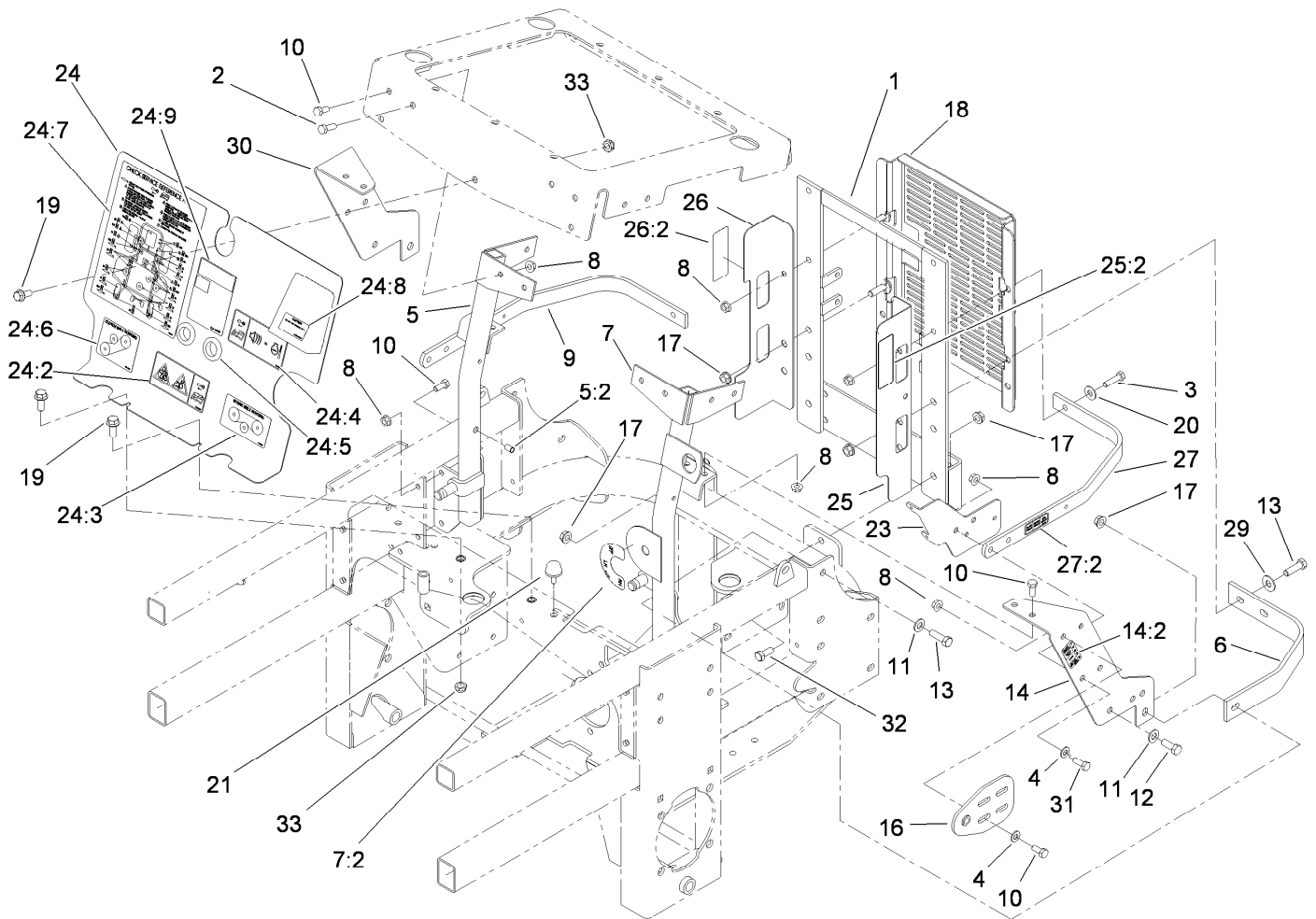
Fuel System and Throttle Control Assembly

Ref.	Part Number	Qty.	Description	Ref.	Part Number	Qty.	Description
1	322-3	3	Screw-HH	19	1-807513	2	Bolt-CARR
2	1-805005	2	Washer-Lock	20	109-2661	4	Screw-PPH
3	3256-23	11	Washer-Plain	22	117-0913	1	Control Panel ASM
4	1-643293	6	Clamp-Hose, Fuel	22:2	117-0912	1	Decal-Panel, Control
5	114-8221	1	RH Fuel Tank ASM	23	114-8222	1	LH Fuel Tank ASM
5:2	103-2615	2	Fitting-Fuel, Bulkhead	23:2	103-2615	2	Fitting-Fuel, Bulkhead
6	114-5062	2	Cap-Biodiesel	24	1-643312	2	Clip-Loom
7	1-633023	6	Stud	25	33114-020	1	Screw-HH
8	1-633349	6	Spring-Tank, Fuel	26	3296-29	1	Nut-Lock, NI
9	322-7	1	Screw-HH	27	3296-47	6	Nut-Lock, NI
10	108-5928	1	Swivel-Stop, Cable	28	112-7836	1	Filter-Inline
11	3220-1	2	Nut-Jam	29	1-643234	1	Valve-Fuel, Dual Flow
12	108-5927	1	Cable-Control, Throttle	30	3296-2	2	Nut-Lock, NI
12:1	112-2333	1	Lever-Cable, Throttle	31	112-9188	1	Element-Filter, Fuel/Water
12:2	108-6337	1	Cable-Throttle	32	104-7201	1	Nut-HF
13	2412-108	9	Clamp-Worm	33	321-8	1	Screw-HH
14	1-643277	3	Clamp-Hose, Fuel	34	110-8817	1	Bracket-Pump, Fuel
15	110-8806	1	Pump-Fuel	35	110-8807	1	Bracket-Filter, Fuel
16	3296-58	2	Nut-Lock, NI	36	322-9	1	Screw-HH
18	1-603175	1	Knob-Ball	38	3256-82	1	Washer-Flat



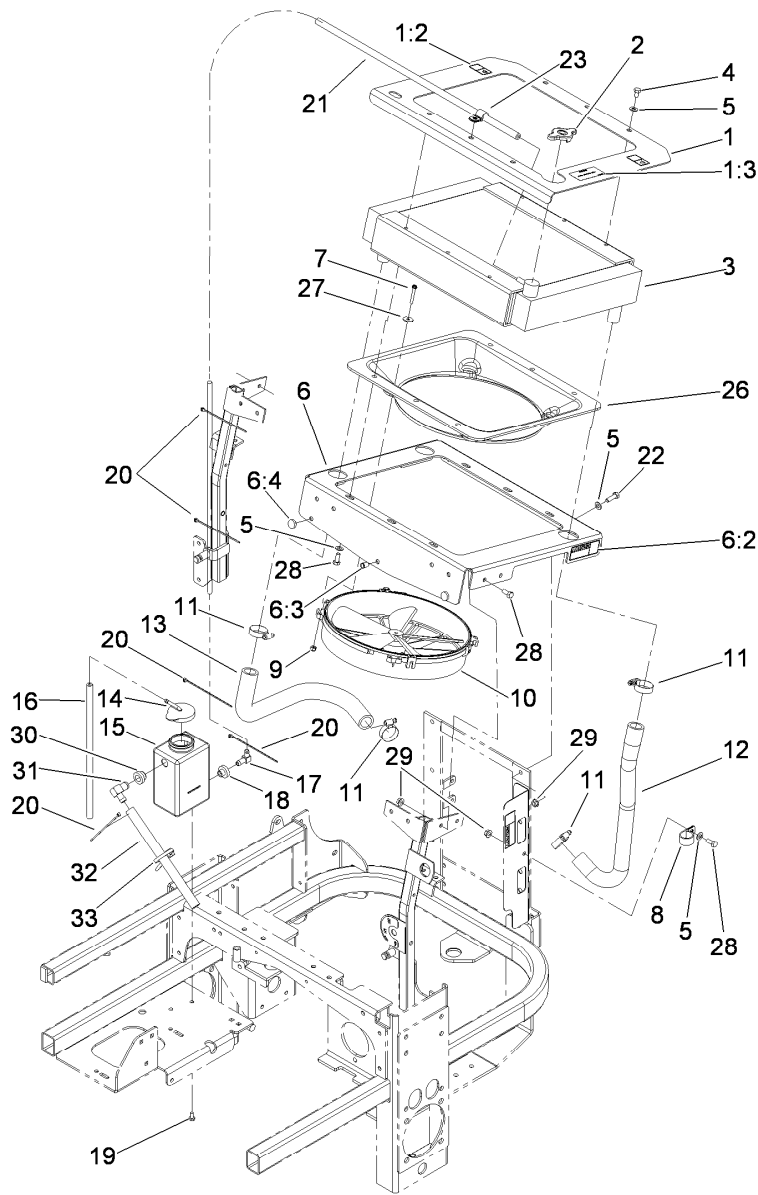
Fuel Line Assembly

<i>Ref.</i>	<i>Part Number</i>	<i>Qty.</i>	<i>Description</i>
1	108-5376	1	Hose-Fuel
2	109-0301	1	Hose-Fuel
3	109-0306	1	Hose-Fuel
4	108-3283	1	Hose-Fuel
5	109-0303	1	Hose-Fuel
6	109-0275	1	Hose-Fuel
7	109-0297	1	Hose-Fuel
8	108-5377	1	Sleeve-Fabric
9	1-303335	1	Tie-Plastic
10	110-4124	1	Hose-Fuel
11	114-8224	1	Conduit-Fuel Line
12	110-4105	1	Hose-Fuel



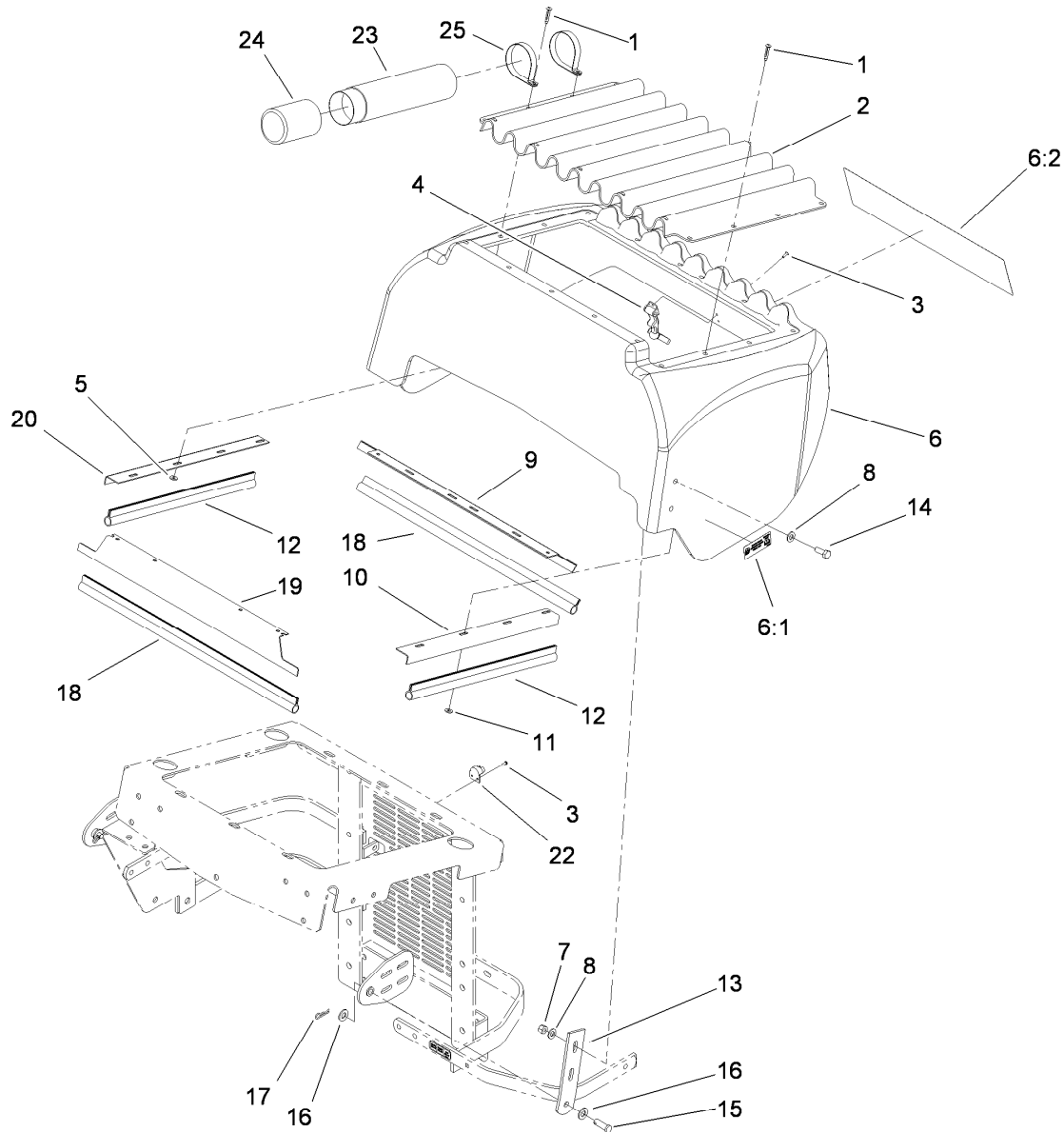
Engine Housing Assembly

Ref.	Part Number	Qty.	Description	Ref.	Part Number	Qty.	Description
1	107-9934-03	1	Support-Radiator, Rear	23	119-0393-03	1	Bracket-Relay, Fuse
2	322-5	2	Screw-HH	24	108-5936	1	Front Engine Shield ASM
3	322-6	2	Screw-HH	24:2	110-3853	1	Decal-Danger, Rotating Devices
4	3256-23	8	Washer-Plain	24:3	108-5955	1	Decal-Routing, Hydro Belt
5	114-1170	1	RH Radiator Brace ASM	24:4	110-3852	1	Decal- Warning, Buzzer
5:2	32148-11	1	Nut-Clinch	24:5	100-3815	2	Grommet-Rubber
6	103-7623-03	2	Strap-Guard	24:6	108-5957	1	Decal-Routing, Clutch Belt
7	110-3870	1	LH Radiator Brace ASM	24:7	110-3851	1	Decal-Check, Service
7:2	107-2114	1	Decal-Valve, Fuel	24:8	110-0806	1	Decal- Caution
8	32128-20	22	Nut-HF	24:9	104-2449	1	Decal-Coolant
9	114-8223-03	1	Top-Rib	25	110-0879	1	Guard-Fan, LH (CE)
10	322-3	14	Screw-HH	25:2	107-7719	1	Decal-Danger
11	3256-24	3	Washer-Flat	26	110-0888	1	Guard-Fan, RH (CE)
12	323-6	1	Screw-HH	26:2	107-7719	1	Decal-Danger
13	323-7	4	Screw-HH	27	119-0399	1	Top Strap ASM
14	119-6650	1	LH Support Bracket ASM	27:2	119-0397	1	Decal-Relay
14:2	119-0398	1	Decal-Fuse	29	3256-4	2	Washer-Flat
16	108-5345-03	2	Plate-Pivot, Hood	30	108-5339-03	1	Bracket-Support, RH
17	3290-357	7	Nut-HHF, Whiz	31	322-4	4	Screw-HH
18	112-8302-03	1	Shield-Cooler	32	323-5	2	Screw-HH
19	3234-21	3	Screw-HHF	33	3296-56	3	Nut-Lock, NI
20	3256-3	2	Washer-Flat				
21	109-2365	2	Bumper-Rubber				



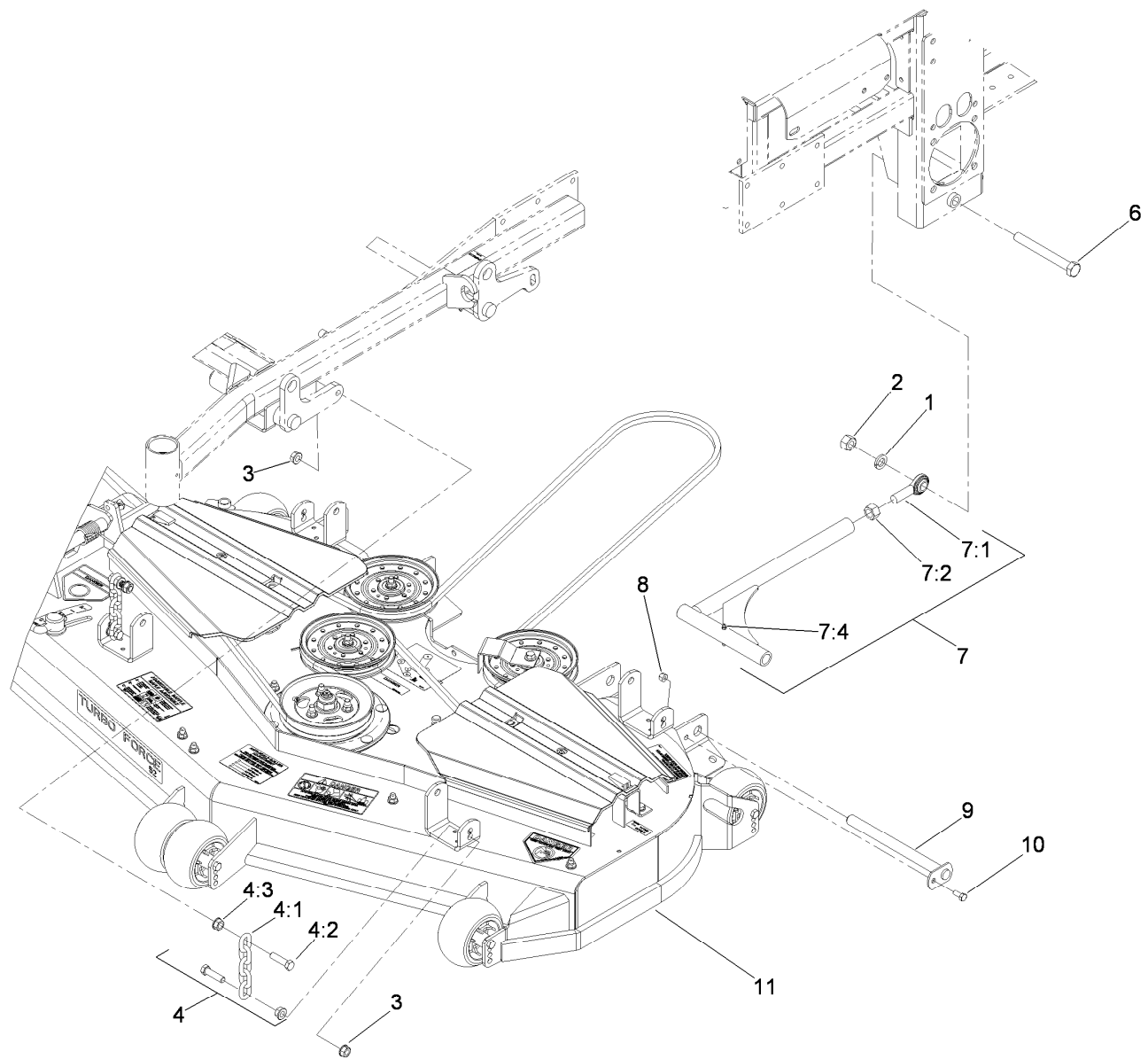
Cooling System Assembly

<i>Ref.</i>	<i>Part Number</i>	<i>Qty.</i>	<i>Description</i>	<i>Ref.</i>	<i>Part Number</i>	<i>Qty.</i>	<i>Description</i>
1	110-3845	1	Top Radiator Plate ASM	14	1-643164	1	Cap-Tank, Overflow
1:2	93-8069	2	Decal-Surface, Hot	15	117-0941	1	Tank-Overflow
1:3	110-3842	1	Decal-Antifreeze	16	1-603954	1	Hose-Line, Fuel
2	1-643161	1	Cap-Radiator	17	1-643259	1	Fitting-Elbow
3	107-9932	1	Radiator	18	1-513645	1	Bushing-Valve, Fuel
4	322-1	6	Screw-HH	19	321-2	2	Screw-HH
5	3256-23	16	Washer-Plain	20	1-303287	6	Tie-Cable
6	110-0880	1	Bottom Radiator Plate ASM	21	103-1428	1	Hose-Overflow
6:2	107-7719	2	Decal-Danger	22	322-5	3	Screw-HH
6:3	32148-6	1	Nut-Clinch	23	1-603727	1	Clip-Loom
6:4	1-513658	2	Bumper	26	108-5971	1	Shroud-Cooling, Engine
7	108-5988	4	Screw-HWH	27	3256-67	4	Washer
8	1-643312	1	Clip-Loom	28	322-3	10	Screw-HH
9	1-804254	4	Nut-Lock, HH	29	32128-20	3	Nut-HF
10	1-633831	1	Fan	30	104-0790	1	Bushing
11	1-633989	4	Clamp-Hose	31	117-0943	1	Fitting-Elbow
12	108-5372	1	Hose-Radiator, LH	32	115-4969	1	Hose-Overflow
13	108-5904	1	Hose-Outlet, Engine	33	1-303335	1	Tie-Plastic



Hood Assembly

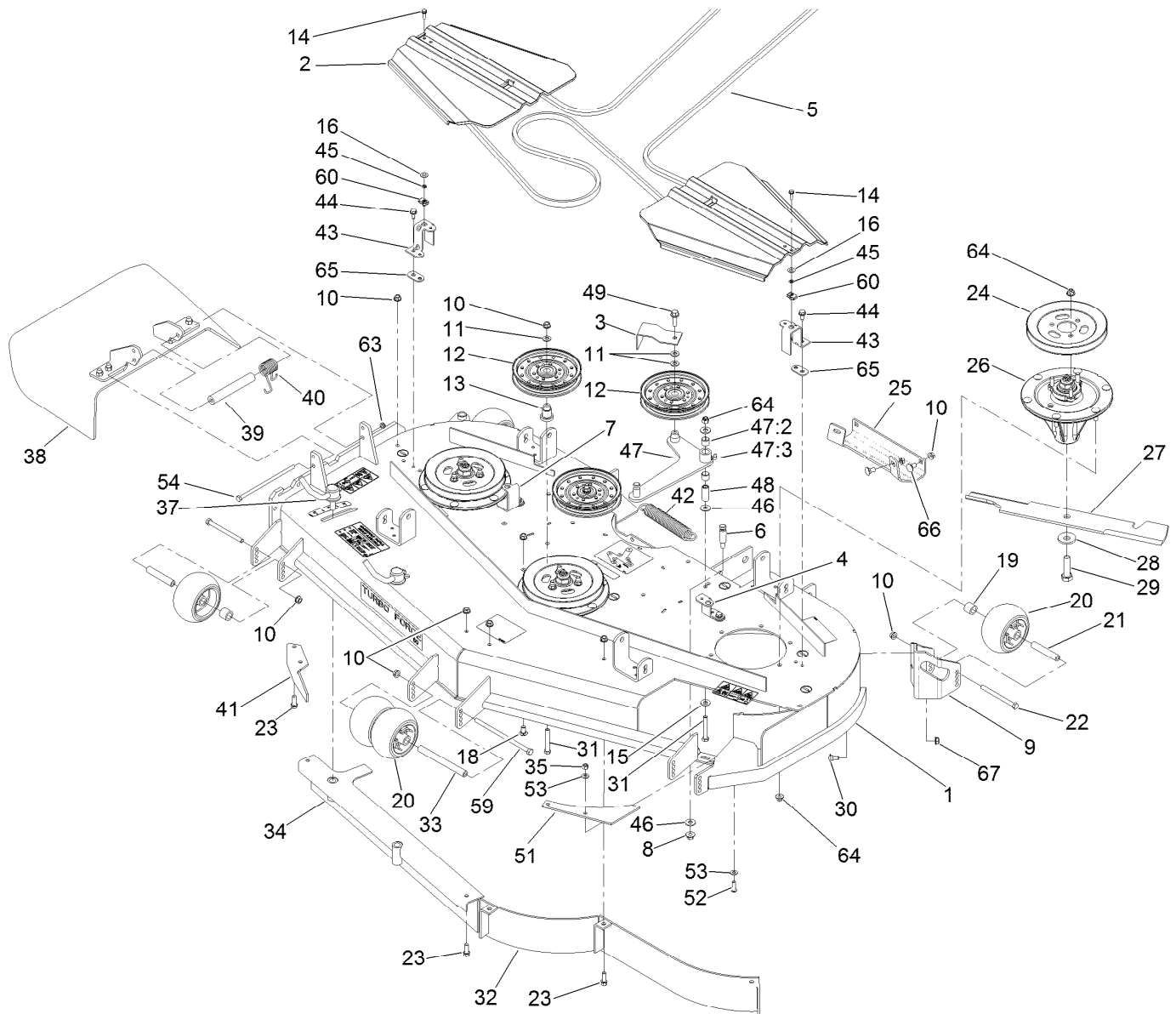
Ref.	Part Number	Qty.	Description	Ref.	Part Number	Qty.	Description
1	1-803072	17	Rivet	12	1-643186	2	Seal-Trim
2	1-633864-03	1	Screen-Radiator	13	108-5337-03	2	Plate-Hinge, Hood
3	923786	4	Rivet	14	322-4	4	Screw-HH
4	1-643188	1	Latch-Rubber	15	1-808285	2	Pin-Clevis
5	1-303435	4	Washer-Spring	16	3256-24	4	Washer-Flat
6	114-8225	1	Hood ASM	17	1-806003	2	Pin-Cotter
6:1	114-9600	2	Decal-Low Sulfur	18	1-643187	2	Seal-Trim
6:2	107-7674	1	Decal	19	1-643107-03	1	Angle-Radiator, Top
7	3296-29	4	Nut-Lock, NI	20	1-643106-03	1	Angle-Radiator, RH
8	3256-23	8	Washer-Plain	22	1-643189	1	Keeper-Latch, Rubber
9	1-643108-03	1	Angle-Radiator, Bottom	23	104-7050	1	Tube-Manual
10	1-643105-03	1	Angle-Radiator, LH	24	104-7048	1	Cap-Housing
11	3256-14	12	Washer-Flat	25	2412-120	2	Clamp-R



Deck Connection Assembly

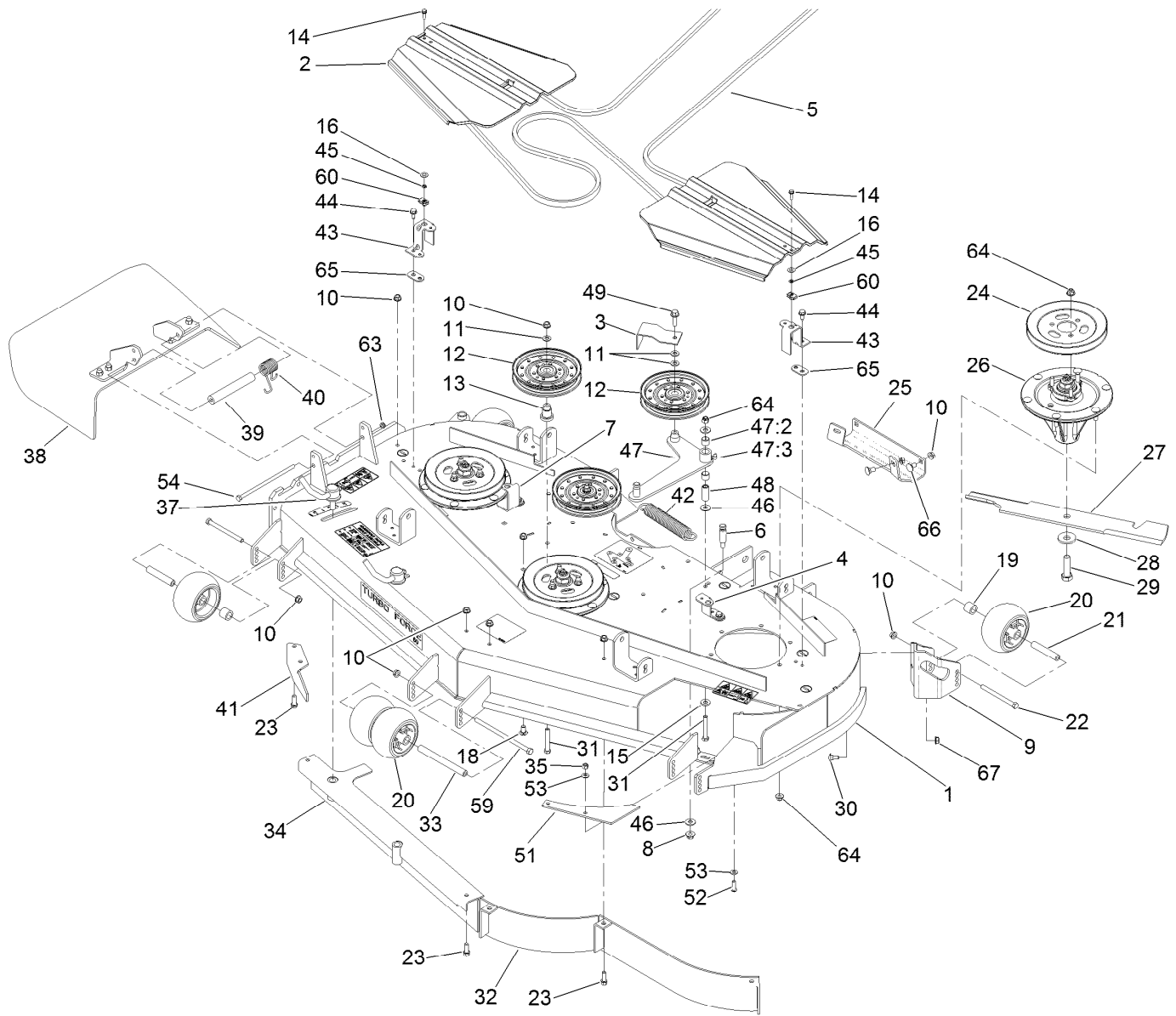
Ref.	Part Number	Qty.	Description	Ref.	Part Number	Qty.	Description
1	3253-8	2	Washer-Lock	7	108-5969	2	Strut ASM
2	3217-11	2	Nut-Hex	7:1	1-633029	1	Balljoint-Spherical
3	32128-37	8	Nut-HF	7:2	3219-6	1	Nut-Hex
4	103-9792	4	Deck Chain ASM	7:4	109-1380	1	Fitting-Grease
4:1	1-633447	1	Chain-Lift, Deck	8	3296-29	2	Nut-Lock, NI
4:2	103-1898	2	Screw-HH	9	1-632199-01	2	Pin-Strut
4:3	32128-37	2	Nut-HF	10	322-3	2	Screw-HH
6	327-28	2	Screw-HH	11		1	Deck ASM ●

● Not serviced separately



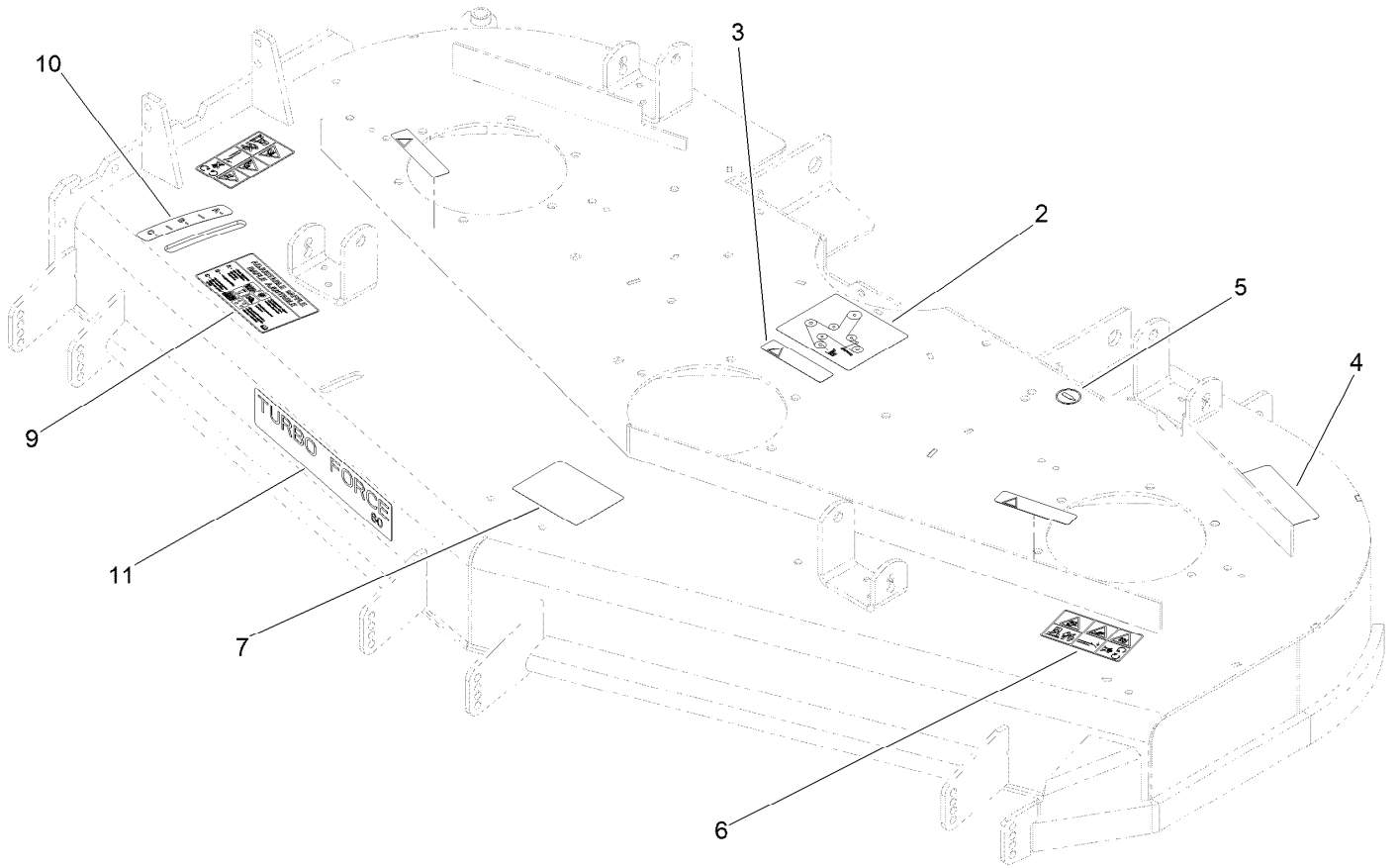
Deck Assembly

Ref.	Part Number	Qty.	Description	Ref.	Part Number	Qty.	Description
1	114-4489	1	Deck Decal ASM	22	323-23	4	Screw-HH
2	107-8536	2	Cover-Belt	23	92-1624	6	Screw-HWH
3	108-7220-01	1	Guide-Belt	24	107-7678	3	Pulley
4	108-2177-01	1	Bracket-Cover, Tall	25	105-8792-01	1	Plate-Skid
5	114-4420	1	Belt-V	26	117-6158	3	Spindle ASM
6	110-0801	1	Pin-Threaded, Spring Anchor	27	105-7718-03	3	Blade-Hi Flow
7	119-4221-01	1	Bracket-Cover	28	103-0865	3	Washer-Blade Bolt, Heavy
8	32128-19	1	Nut-HF	29	51-4060	3	Screw-Blade
9	106-7354-01	1	Mount-Wheel, LH	30	3231-1	7	Screw-CARR
10	3290-357	4	Nut-HHF, Whiz	31	323-12	3	Screw-HH
11	3256-24	4	Washer-Flat	32	105-7657-01	1	Baffle
12	1-633109	3	Idler-Flat	33	98-5967	1	Spacer-Wheel
13	106-3214	2	Mount-Pulley	34	105-7669-01	1	Baffle
14	32105-15	2	Screw-HWH	35	3296-29	2	Nut-Lock, NI
15	98-5975	1	Washer-Belleville	37	107-1664	2	Lever ASM
16	73-0041	2	Washer-Thrust	38	108-2792	1	Rubber Deflector ASM
18	3231-21	1	Screw-CARR	39	105-4622	1	Spacer
19	98-7913	4	Tube-Spacer	40	108-4052	1	Spring-Torsion
20	1-603299	6	Roller-Scalp, Anti	41	106-3216-01	1	Baffle-Discharge
21	98-7912	4	Tube-Spanner	42	119-0392	1	Spring-Extension
				43	119-4220-01	2	Bracket-Cover



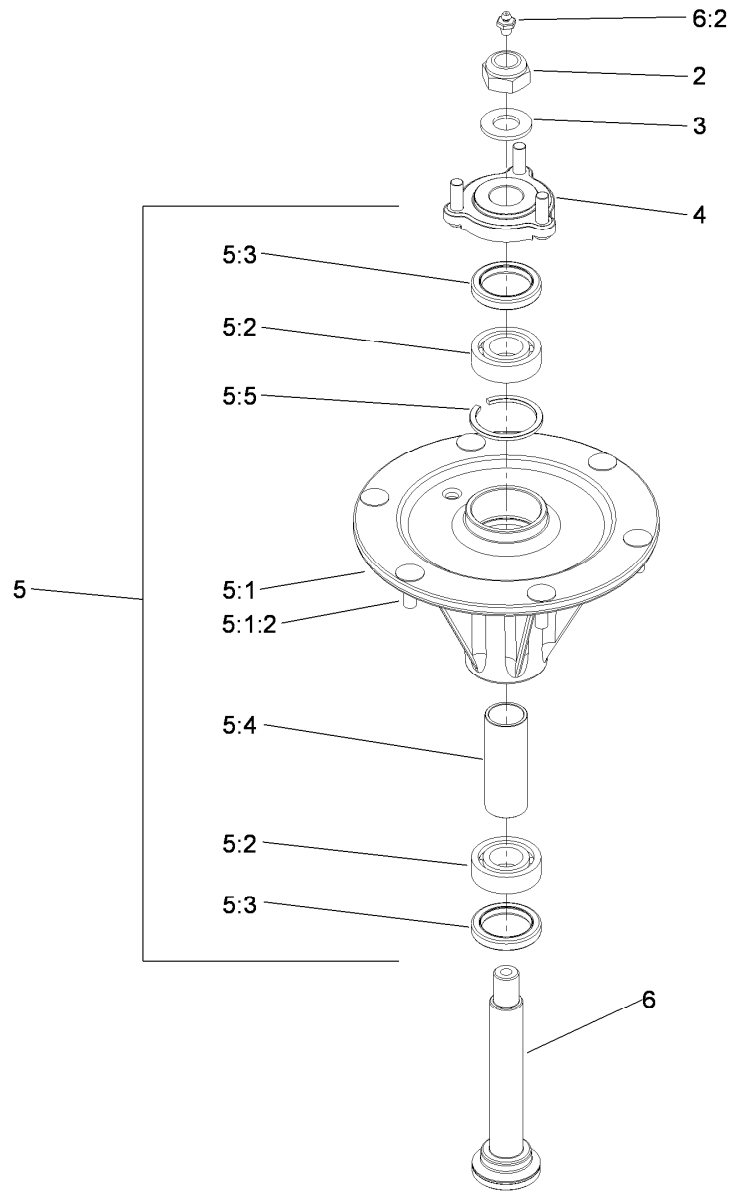
Deck Assembly (continued)

<i>Ref.</i>	<i>Part Number</i>	<i>Qty.</i>	<i>Description</i>	<i>Ref.</i>	<i>Part Number</i>	<i>Qty.</i>	<i>Description</i>
44	32144-70	4	Screw-HWHTF	53	1-303334	4	Washer-Spring
45	106-8737	2	Nut-Retainer	54	322-50	1	Screw-HH
46	3256-4	3	Washer-Flat	59	108-5388	1	Screw-HH
47	108-5949	1	Deck Idler Arm ASM	60	107069	2	Clip
47:2	103-4681	2	Sleeve-Bearing	63	3296-47	1	Nut-Lock, NI
47:3	302-40	1	Fitting-Grease, 90 DEG	64	104-8301	46	Nut-HF, NI
48	1-603044	1	Bushing	65	119-4222-01	4	Spacer-Belt Cover
49	3234-24	1	Screw-HHF	66	3231-27	4	Screw-CARR
51	107-3137	1	Plate-Turbo	67	3296-59	3	Nut-Lock, NI
52	3274-104	2	Screw-HSBH				



Deck Decal Assembly No. 114-4489

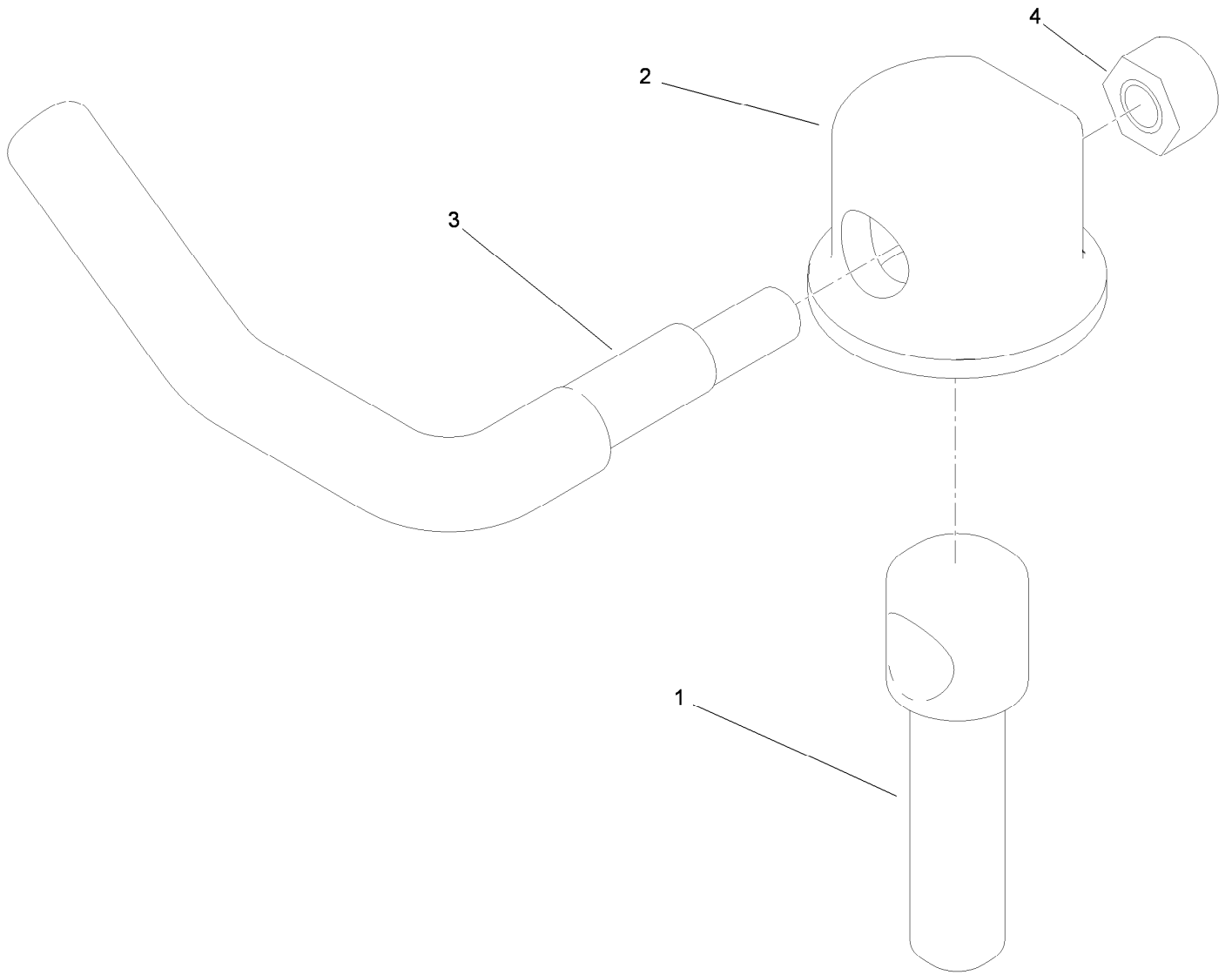
Ref.	Part Number	Qty.	Description
2	108-5981	1	Decal-Routing, Belt
3	98-1977	3	Decal-Warning
4	93-7818	1	Decal-Torque, Blade Bolt
5	58-6520	1	Decal-Grease
6	93-7010	2	Decal-Danger
7	99-8939	1	Decal-Anti Scalp
9	110-2068	1	Decal-Adjustment, Baffle
10	110-2067	1	Decal-Setting, Baffle
11	107-1619	1	Decal



Spindle Assembly No. 117-6158

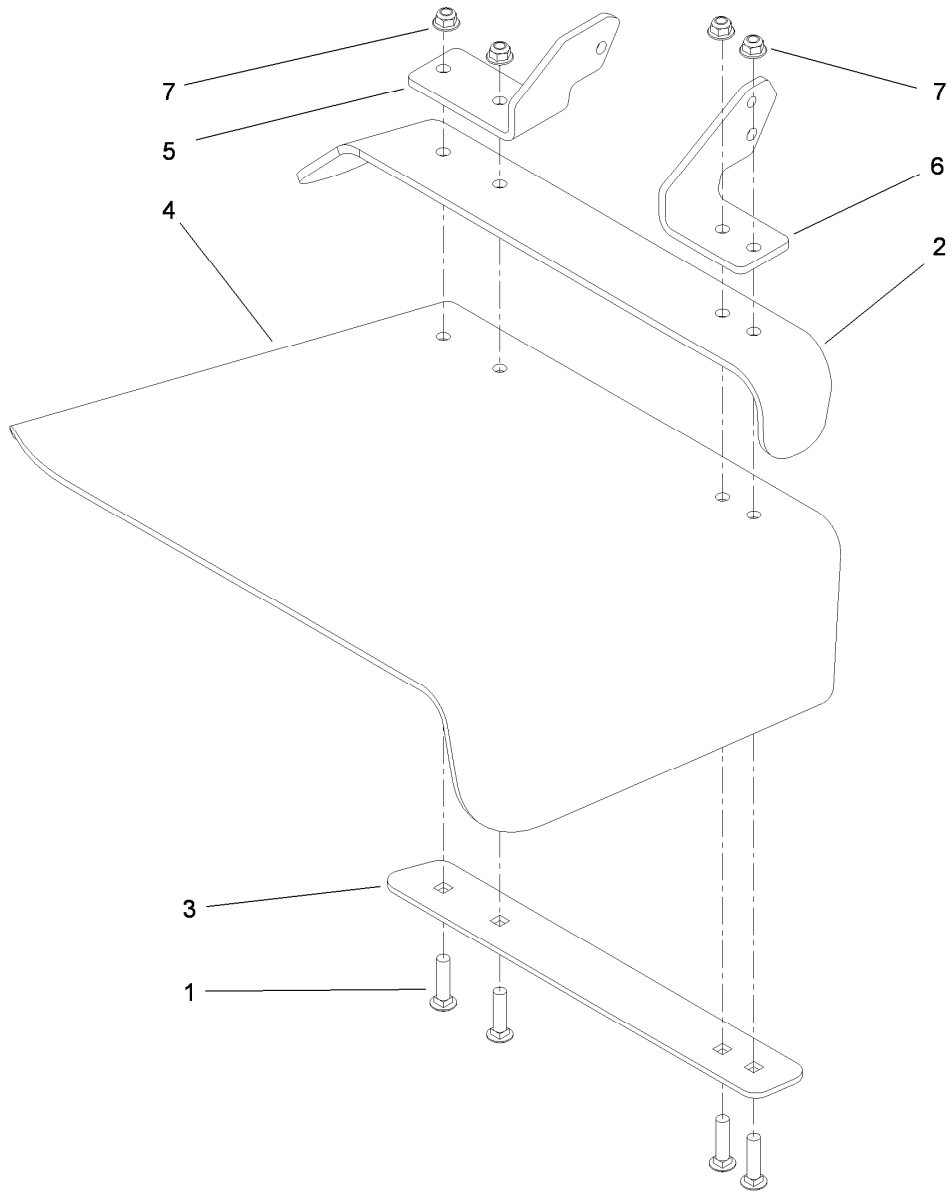
Ref.	Part Number	Qty.	Description
2	3296-67	1	Nut-Lock, NI
3	92-5836	1	Washer
4	117-6172	1	Spindle Hub ASM
5		1	Spindle Housing And Ball Bearing ASM
5:1		1	Spindle Housing And Studs ASM ●
5:1:2	114-8195	6	Bolt-Neck, Ribbed
5:2	76-7500	2	Bearing-Ball
5:3	253-133	2	Seal-Oil
5:4	117-6184	1	Spacer
5:5	114-8161	1	Ring-Snap
6	119-1851	1	Spindle Shaft And Zerk ASM
6:2	302-2	1	Fitting-Grease

● Not serviced separately



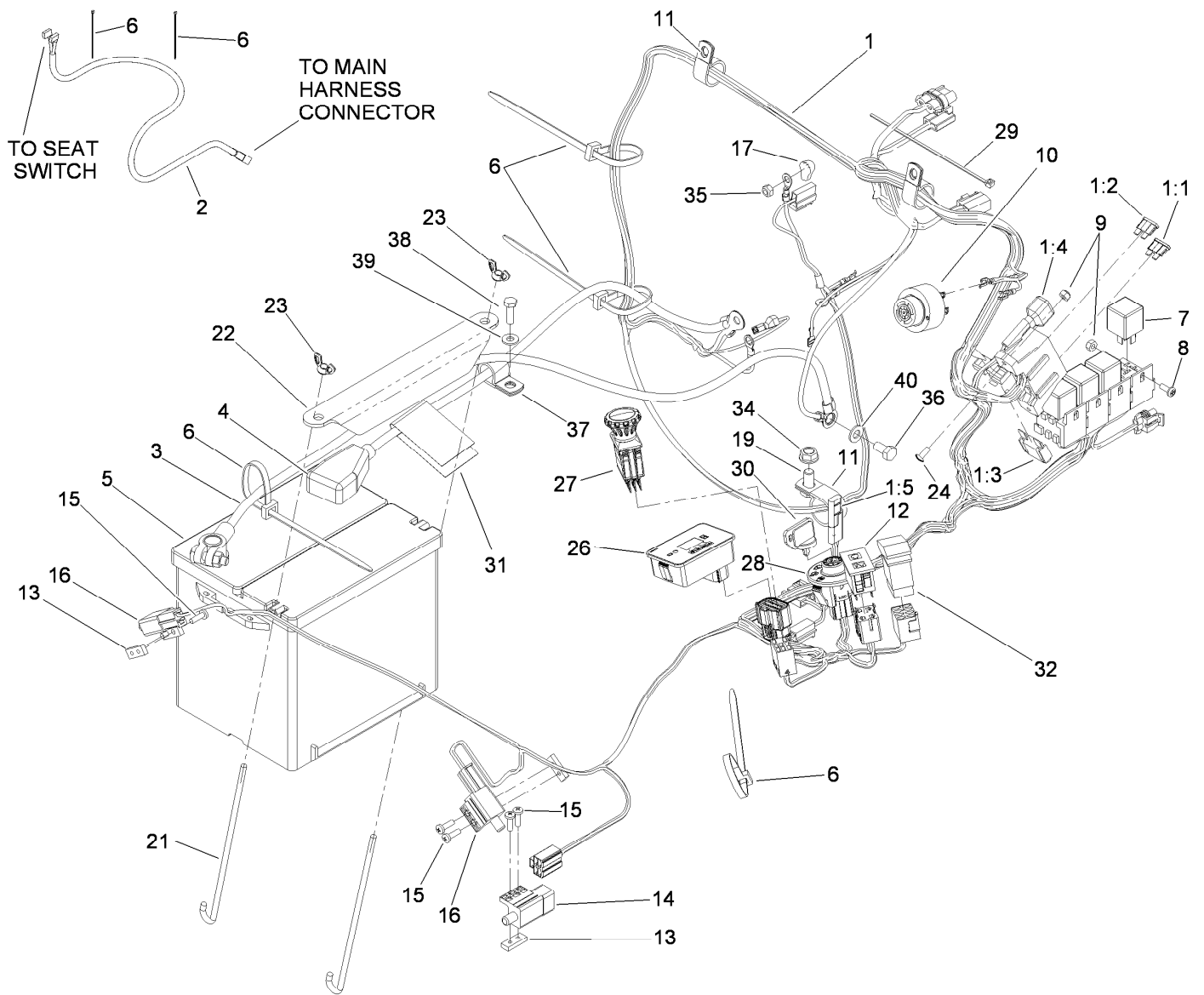
Lever Assembly No. 107-1664

<i>Ref.</i>	<i>Part Number</i>	<i>Qty.</i>	<i>Description</i>
1	106-3239	1	Screw-Lock
2	107-1644	1	Cap-Lock
3	106-3241	1	Lever-Lock
4	3296-29	1	Nut-Lock, NI



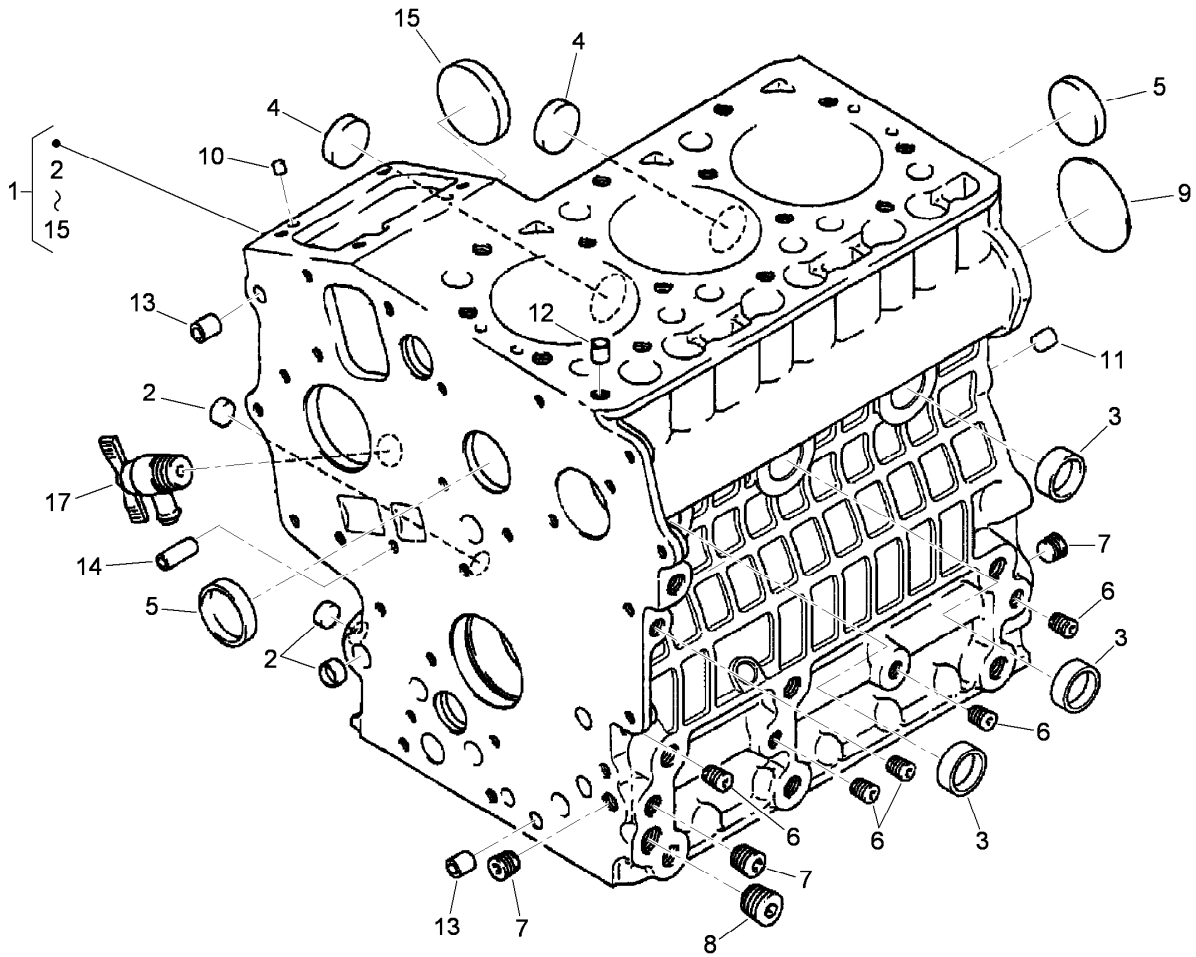
Rubber Deflector Assembly No. 108-2792

<i>Ref.</i>	<i>Part Number</i>	<i>Qty.</i>	<i>Description</i>
1	3231-4	4	Screw-CARR
2	106-3246-01	1	Deflector
3	106-3248-03	1	Strap-Discharge
4	108-5029	1	Deflector-Rubber
5	108-4059-01	1	Plate-Hinge, Rear
6	106-3253-01	1	Plate-Hinge, Front
7	104-8301	4	Nut-HF, NI



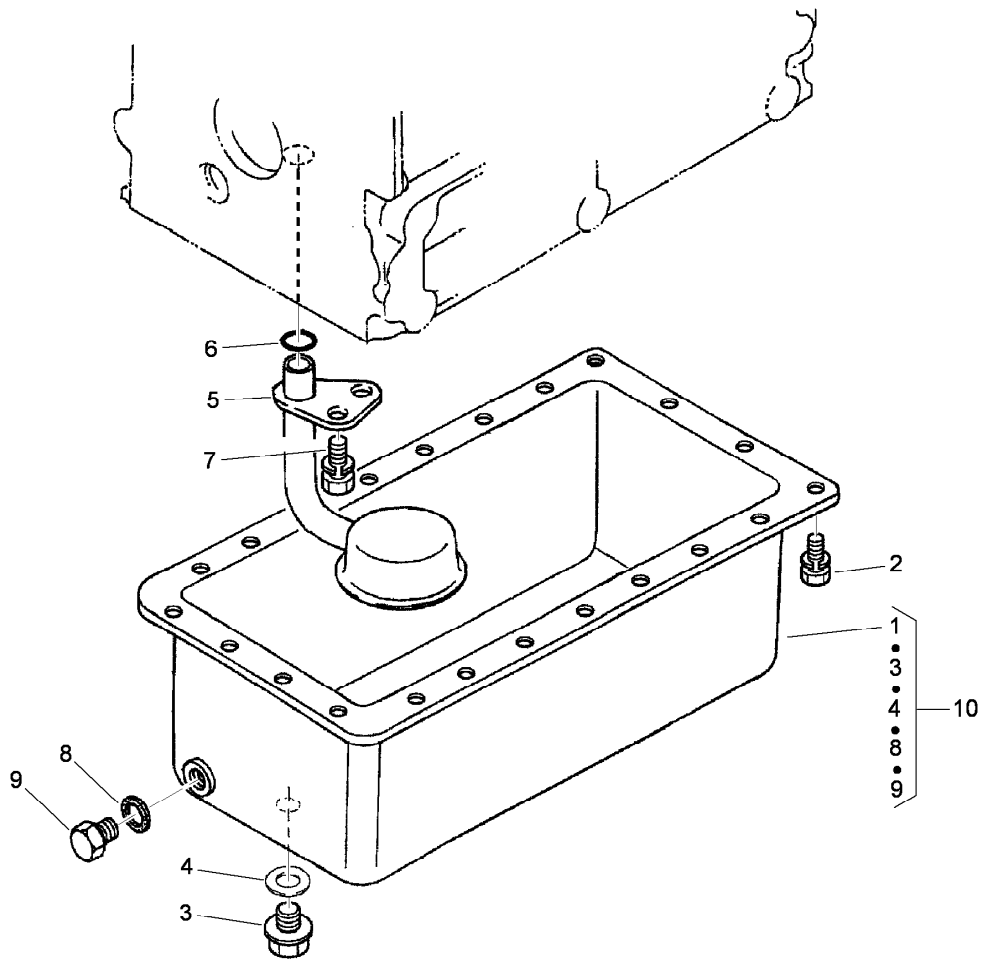
Electrical Assembly

Ref.	Part Number	Qty.	Description	Ref.	Part Number	Qty.	Description
1	119-0351	1	Harness-Wire	17	1-643178	1	Cap-Insulator, Red
1:1	218-578	1	Fuse-Blade, 10 Amp	19	323-4	1	Screw-HH
1:2	109103	1	Fuse-Blade, 30 Amp	21	103-1312	2	Bolt-Holddown
1:3	94-8002	1	Fuse-Blade, 50 Amp	22	103-1311-03	1	Holddown-Battery
1:4	100-4918	1	Diode	23	1-543792	2	Wingnut
1:5	116-0053	1	Cap-Plug	24	1-803075	2	Screw-Head, Truss
2	103-1227	1	Harness-Wiring, Seat	26	112-8650	1	Hour Meter ASM
3	110-0303	1	Cable-Battery, Negative	27	116-0124	1	Switch-PTO, 10 Amp
4	110-0304	1	Cable-Battery, Positive	28	117-2221	1	Switch-Ignition
5	106-5187	1	Battery-Dry	29	1-303287	1	Tie-Cable
6	1-303335	7	Tie-Plastic	30	63-8360	2	Key-Ignition
7	1-643275	4	Relay	31	107-9309	1	Decal-Instructions, Charging
8	1-803071	2	Screw	32	110-0811	1	Switch-Rocker
9	3296-2	4	Nut-Lock, NI	34	3290-357	1	Nut-HHF, Whiz
10	103-0205	1	Alarm-Tone, Dual	35	33023-00	1	Nut-Lock
11	1-643312	3	Clip-Loom	36	33114-016	1	Screw-HH
12	100-8071	1	Lamp-Warning	37	1-633396	2	Clip-Loom
13	1-633181	3	Plate-Tapped	38	321-5	2	Screw-HH
14	1-633111	1	Switch	39	3256-22	2	Washer-Flat
15	3290-500	6	Screw-PPH	40	3256-23	1	Washer-Plain
16	1-513051	2	Switch-Open, Normally				



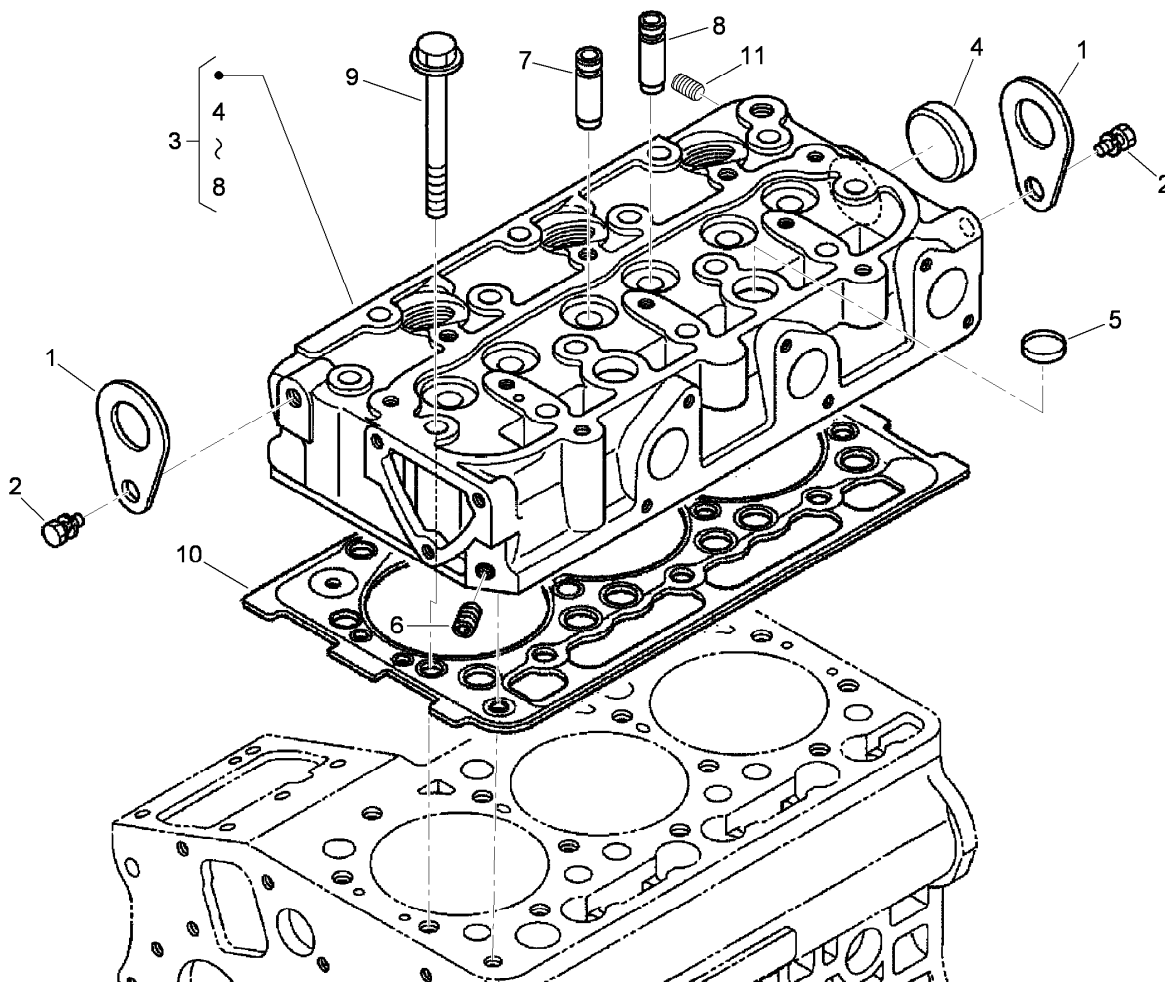
Crankcase Assembly

<i>Ref.</i>	<i>Part Number</i>	<i>Qty.</i>	<i>Description</i>
1	117-0301	1	Crankcase ASM
2	100-2019	3	Cap-Sealing
3	100-2020	3	Cap-Sealing
4	110-3702	2	Cap-Sealing
5	98-9398	2	Cap-Sealing
6	98-9687	5	Plug
7	98-7487	3	Plug
8	98-7488	1	Plug
9	100-1851	1	Plug-Expansion
10	98-9375	2	Pin-Straight
11	98-9377	2	Pin-Straight
12	98-7506	1	Pin-Pipe
13	98-9387	2	Pin-Pipe
14	100-2051	2	Pin-Pipe
15	100-1991	1	Cover-Fuel, Camshaft
17	98-9436	1	Drain Cock ASM



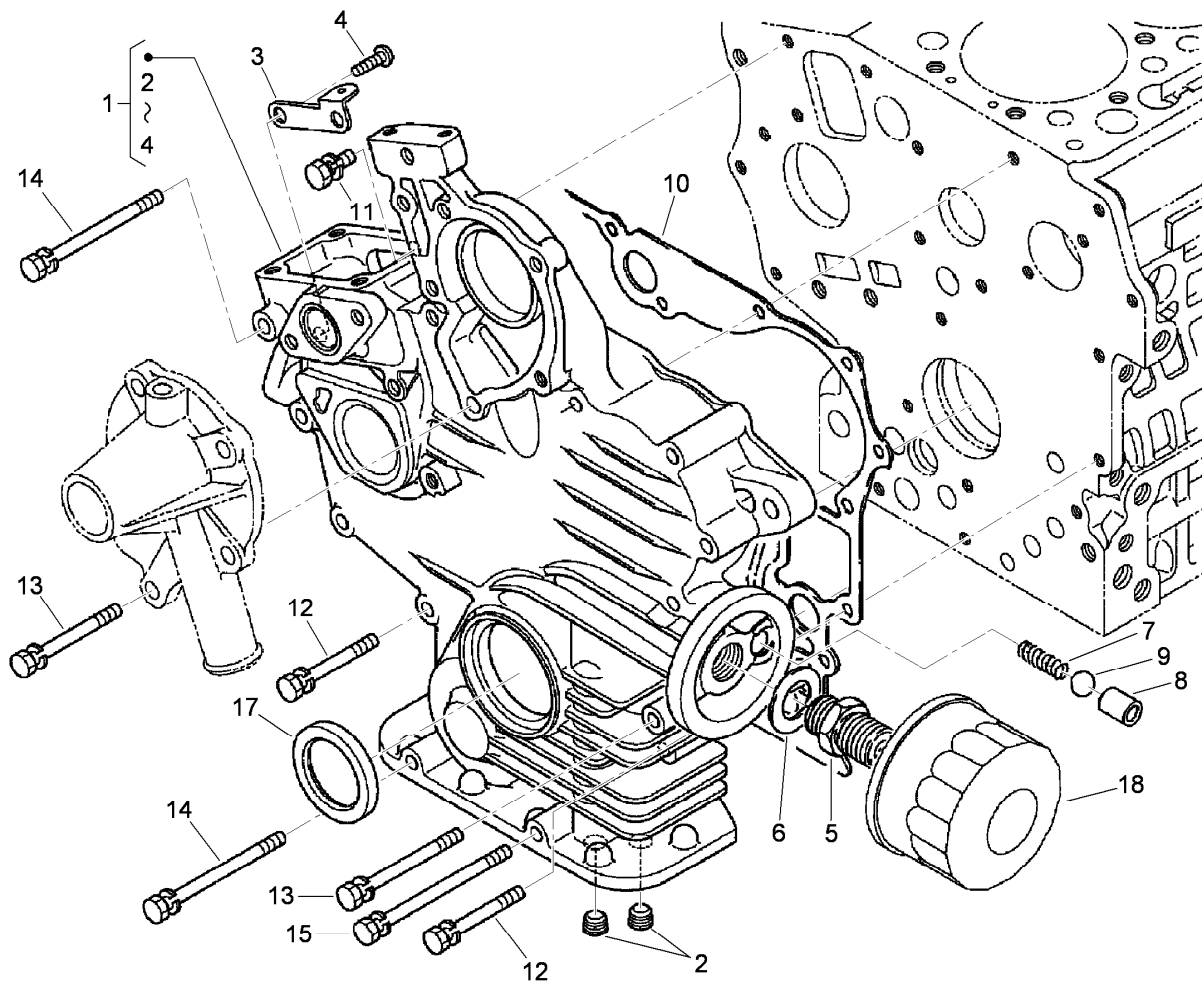
Oil Pan Assembly

<i>Ref.</i>	<i>Part Number</i>	<i>Qty.</i>	<i>Description</i>
1	112-2523	1	Pan-Oil
2	117-0302	22	Bolt
3	98-9686	1	Plug-Drain
4	110-9715	1	Gasket-Pan, Oil
5	100-2001	1	Strainer-Pickup, Oil
6	105-3776	1	O-Ring
7	100-9195	1	Bolt
8	98-7524	1	Gasket
9	114-8151	1	Plug-Drain
10	112-8327	1	Oil Pan Kit



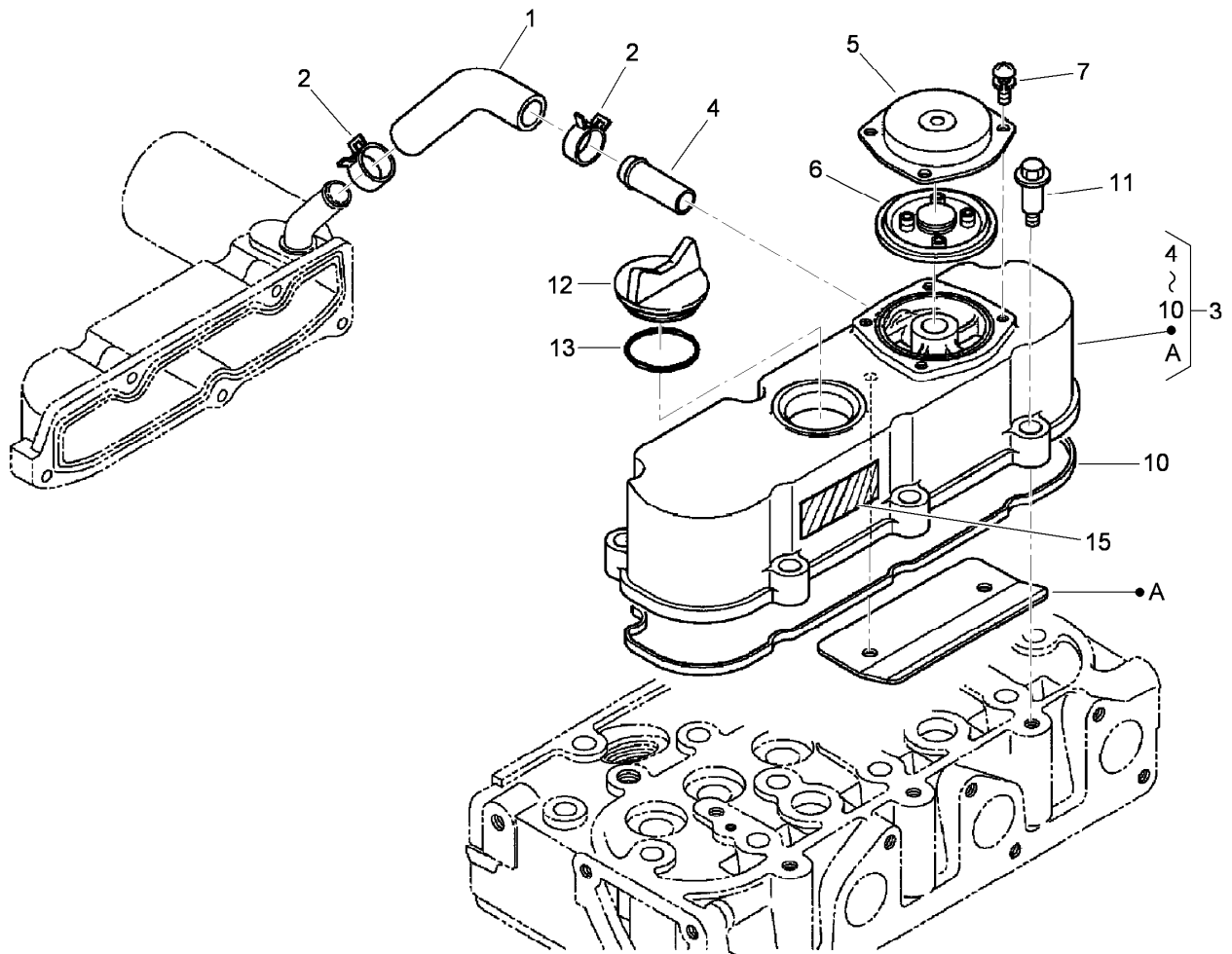
Cylinder Head Assembly

<i>Ref.</i>	<i>Part Number</i>	<i>Qty.</i>	<i>Description</i>
1	98-7531	2	Hook-Engine
2	98-7526	2	Bolt
3	112-8329	1	Head-Cylinder
4	105-3705	1	Cap-Sealing
5	98-9389	2	Cap-Sealing
6	98-9687	1	Plug
7	100-1882	3	Guide-Valve, Inlet
8	100-1883	3	Guide-Valve, Exhaust
9	100-1820	14	Bolt-Head, Cylinder
10	112-2520	1	Gasket-Head, Cylinder
11	98-9444	1	Plug



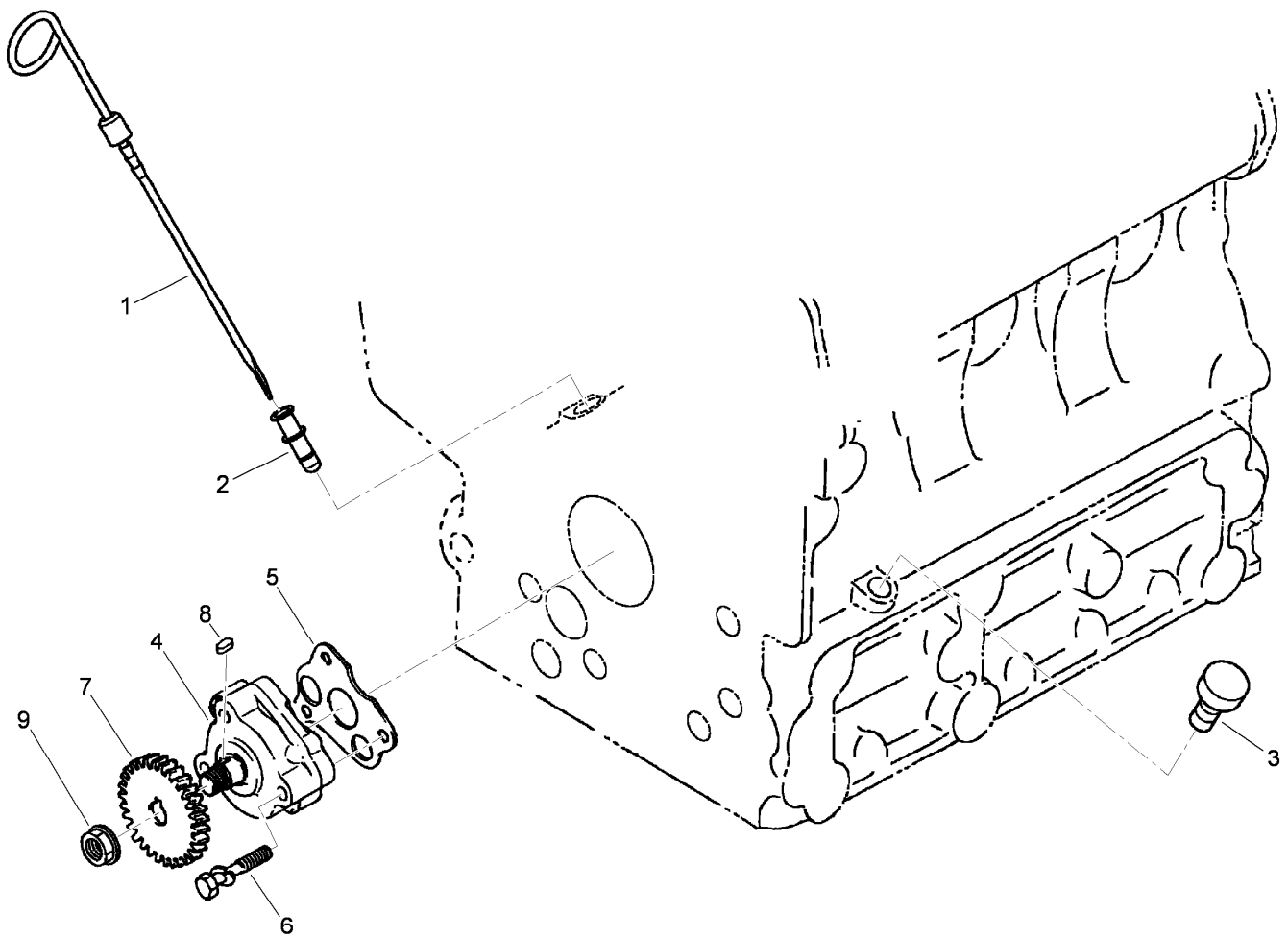
Gear Case and Oil Filter Cartridge Assembly

<i>Ref.</i>	<i>Part Number</i>	<i>Qty.</i>	<i>Description</i>
1	112-8331	1	Case-Gear
2	98-7488	2	Plug
3	110-3708	1	Stay-Spring, Start
4	100-2040	2	Screw
5	98-9388	1	Joint-Pipe
6	100-1926	1	Washer-Plain
7	100-2004	1	Spring
8	100-1894	1	Seat-Valve
9	100-1792	1	Ball
10	117-0327	1	Gasket-Case, Gear
11	98-7605	1	Bolt
12	105-3797	9	Bolt
13	100-1922	2	Bolt
14	98-9357	2	Bolt
15	110-3710	1	Bolt
17	100-1971	1	Seal-Oil
18	100-1892	1	Cartridge-Filter, Oil



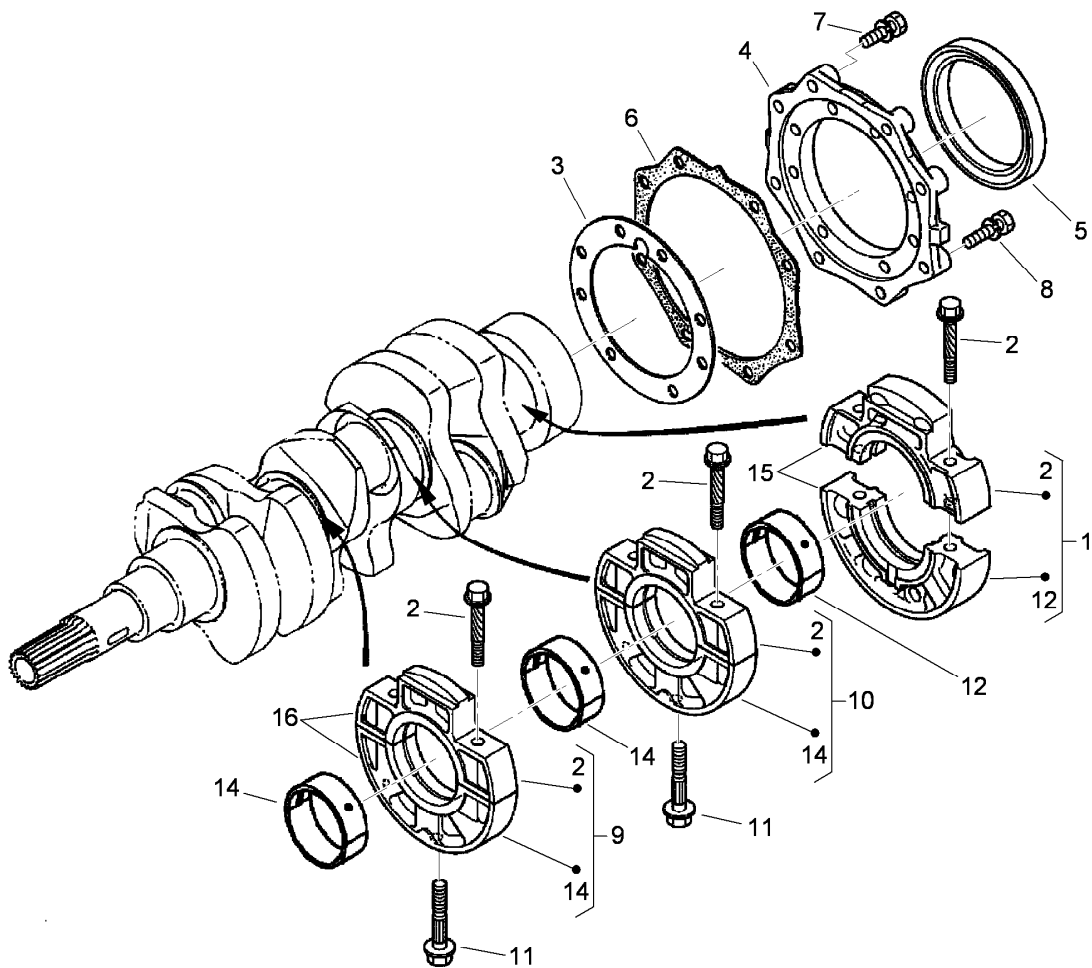
Cylinder Head Cover Assembly

<i>Ref.</i>	<i>Part Number</i>	<i>Qty.</i>	<i>Description</i>
1	110-3711	1	Tube-Breather
2	110-3712	2	Clamp-Hose
3	112-8332	1	Cylinder Head Cover ASM
4	98-9580	1	Pipe-Return, Water
5	110-3714	1	Cover-Breather
6	110-3715	1	Valve-Breather
7	98-9364	4	Screw (With Washer)
10	112-2521	1	Gasket-Cover, Head
11	108-7063	6	Bolt
12	107-9075	1	Plug-Filler, Oil
13	99-3446	1	O-Ring
15	110-3843	1	Label-Instruction



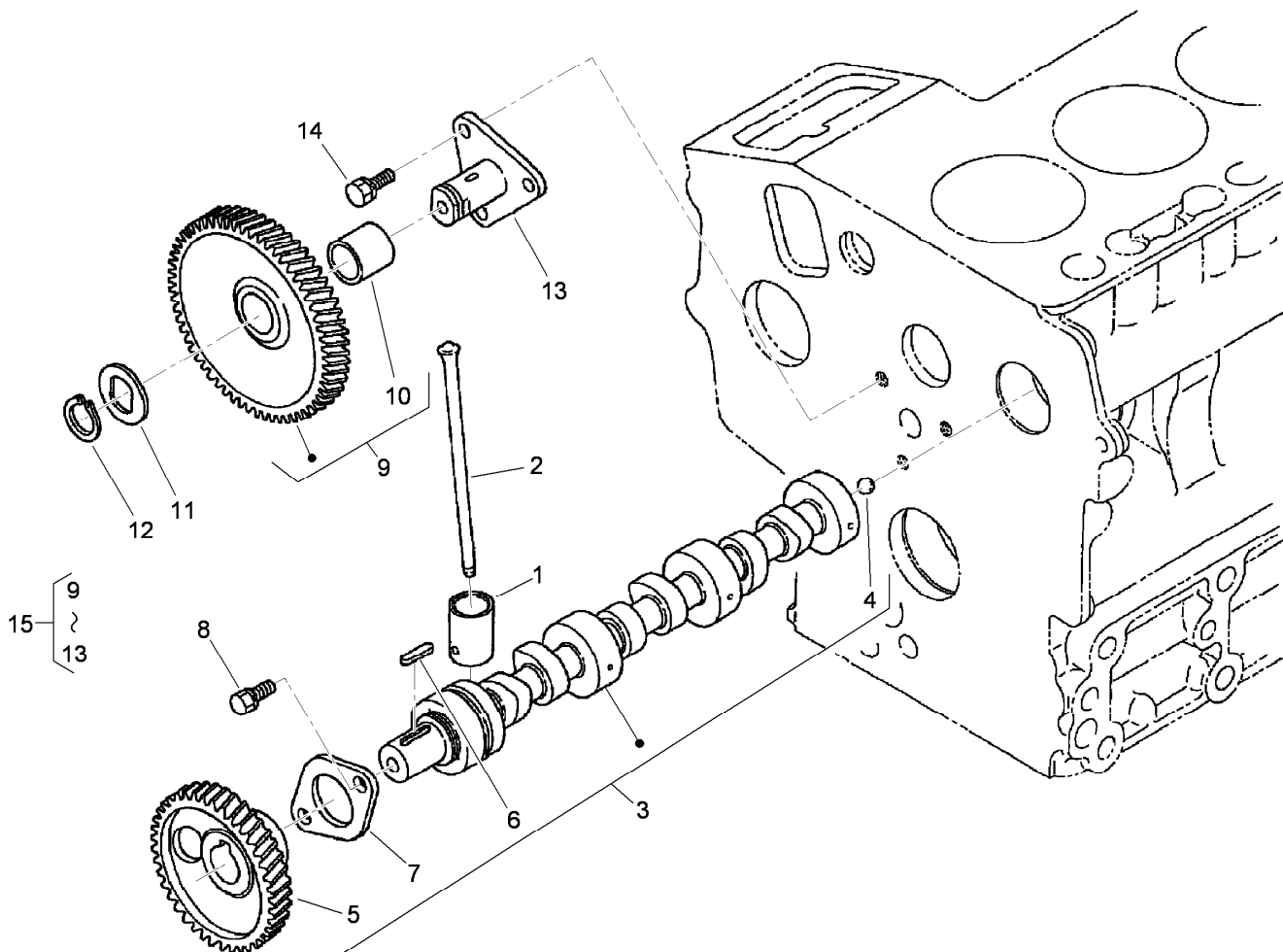
Dipstick, Guide and Oil Pump Assembly

<i>Ref.</i>	<i>Part Number</i>	<i>Qty.</i>	<i>Description</i>
1	110-3719	1	Gauge-Oil
2	105-4580	1	Guide-Gauge, Oil
3	110-3720	1	Plug-Gauge, Oil
4	100-2002	1	Oil Pump ASM
5	100-2003	1	Gasket-Pump, Oil
6	100-1923	3	Bolt
7	100-1893	1	Gear-Drive, Oil Pump
8	98-7658	1	Key-Feather
9	100-1779	1	Nut-Flange



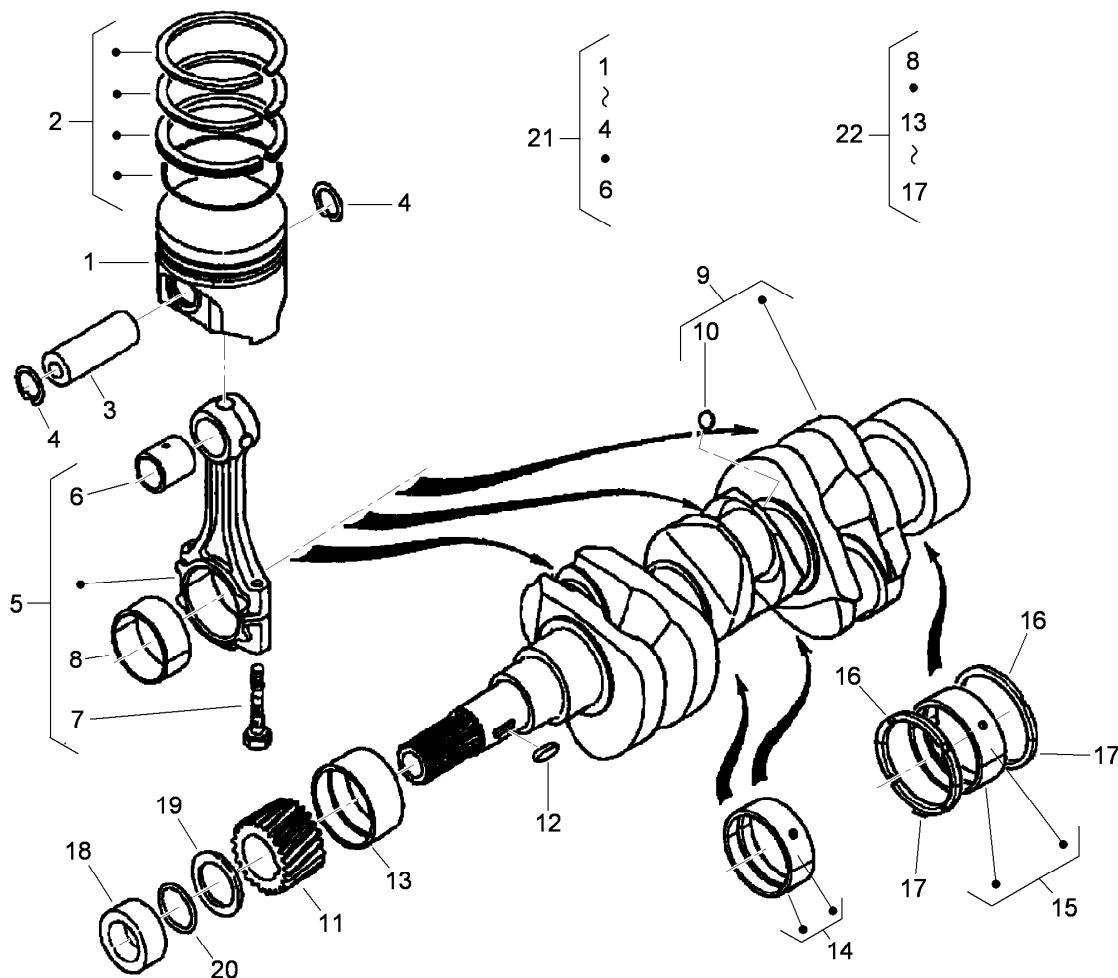
Main Bearing Case Assembly

Ref.	Part Number	Qty.	Description
1	112-2494	1	Wheel Case Bearing ASM
2	110-3723	6	Bolt-Case, Bearing
3	117-0304	1	Gasket-Case, Bearing
4	112-8334	1	Cover-Case, Bearing
5	110-3724	1	Seal-Oil
6	100-1876	1	Gasket-Cover, Case
7	98-7568	8	Bolt
8	100-1750	8	Bolt
9	112-2495	1	Main Case Bearing ASM
10	112-2496	1	Main Case Bearing ASM
11	100-1874	2	Bolt-Case, Bearing
12	110-3744	1	Crankshaft Metal ASM (STD)
12	110-3745	1	Crankshaft Metal ASM (-0.20Mm)
12	110-3746	1	Crankshaft Metal ASM (-0.40Mm)
14	110-3741	2	Crankshaft Metal ASM (STD)
14	110-3742	2	Crankshaft Metal ASM (-0.20Mm)
14	110-3743	2	Crankshaft Metal ASM (-0.40Mm)
15	110-3722	1	Main Bearing Case ASM
16	110-3725	1	Main Bearing Case ASM



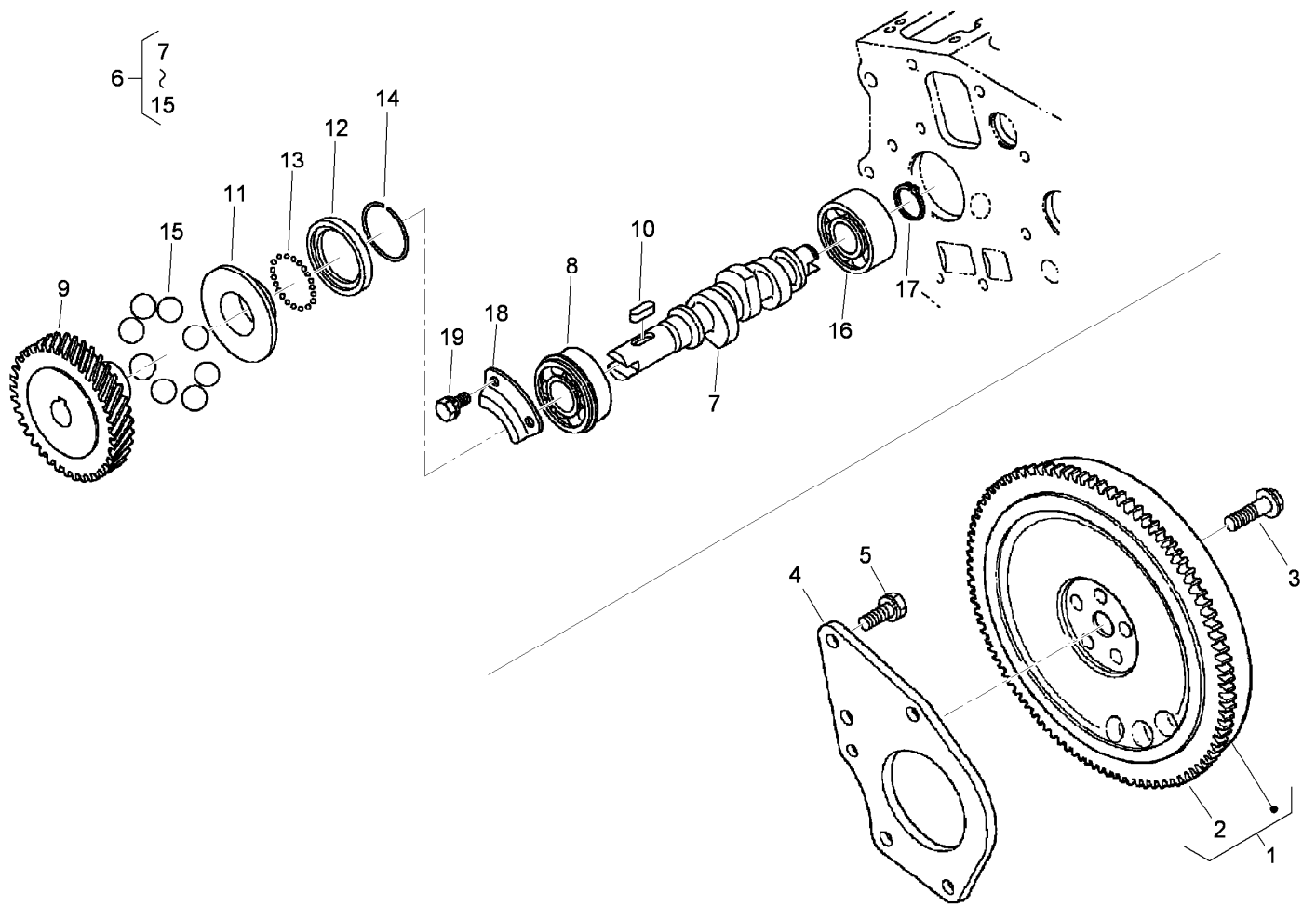
Cam Shaft and Idle Gear Assembly

<i>Ref.</i>	<i>Part Number</i>	<i>Qty.</i>	<i>Description</i>
1	110-3727	6	Tappet
2	100-1989	6	Rod-Push
3	117-0305	1	Camshaft ASM
4	110-3729	1	Ball
5	100-2163	1	Gear-Cam
6	98-9378	1	Key-Feather
7	100-1887	1	Stopper-Camshaft
8	98-9350	2	Bolt
9	100-1966	1	Gear-Idle
10	100-1968	1	Bushing
11	100-1970	1	Collar-Gear, Idle
12	100-1969	1	Ring-Snap
13	100-1967	1	Shaft-Gear, Idle
14	98-9351	1	Bolt
15	100-2240	1	Idle Gear ASM



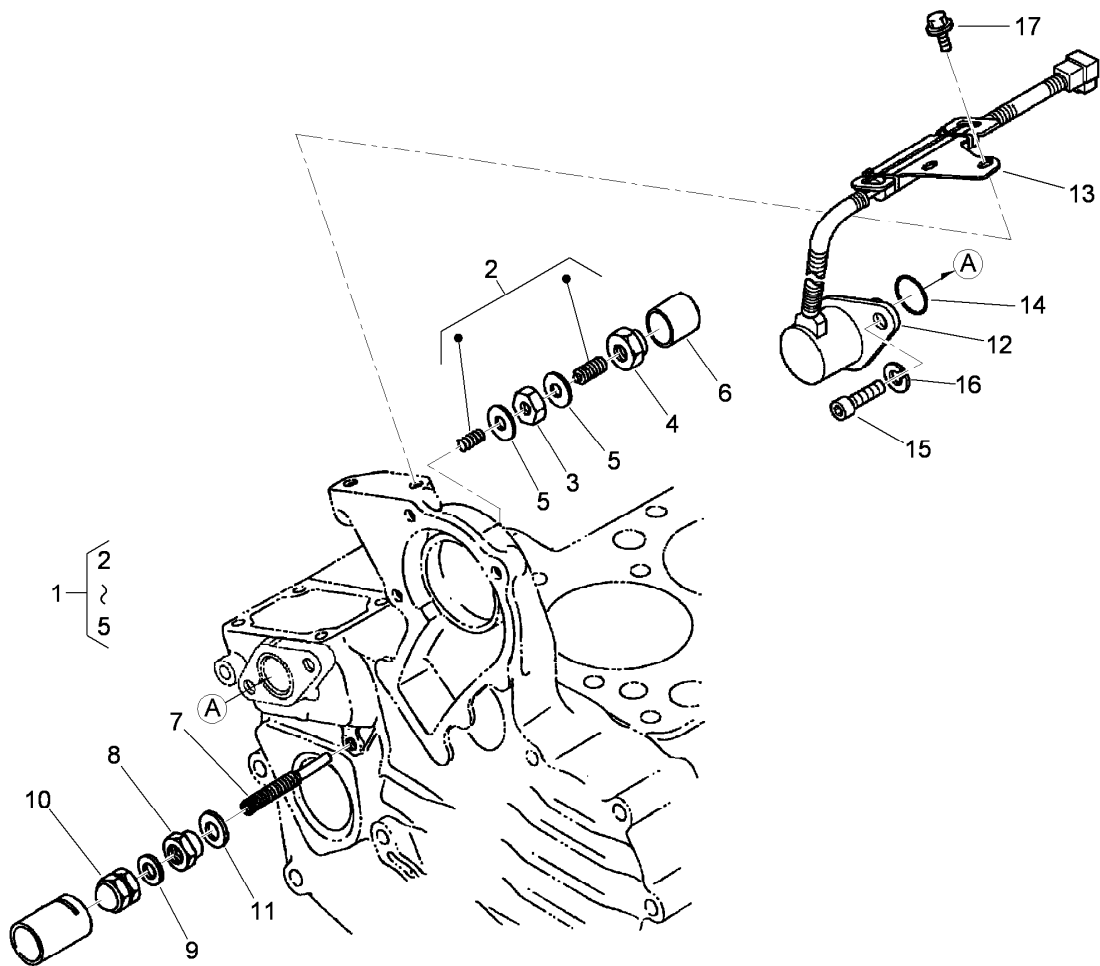
Piston and Crankshaft Assembly

<i>Ref.</i>	<i>Part Number</i>	<i>Qty.</i>	<i>Description</i>	<i>Ref.</i>	<i>Part Number</i>	<i>Qty.</i>	<i>Description</i>
1	117-0306	3	Piston (STD)	14	110-3743	1	Crankshaft Metal ASM (-0.40Mm)
1	117-0307	3	Piston (+.25Mm)	15	110-3744	1	Crankshaft Metal ASM (STD)
2	112-2501	3	Piston Ring ASM (STD)	15	110-3745	1	Crankshaft Metal ASM (-0.20Mm)
2	112-2502	3	Piston Ring ASM (+.25Mm)	15	110-3746	1	Crankshaft Metal ASM (-0.40Mm)
3	110-3734	3	Pin-Piston	16	100-1836	2	Metal-Side (STD)
4	100-1835	6	Circlip-Internal	16	100-1838	2	Metal-Side (+0.20Mm)
5	110-3735	3	Connecting Rod ASM	16	100-1839	2	Metal-Side (+0.40Mm)
6	110-3736	3	Bushing-Pin, Piston	17	117-0309	2	Metal-Side (STD)
7	100-1999	6	Bolt-Rod, Connecting	17	117-0310	2	Metal-Side (+0.20Mm)
8	100-1942	3	Metal-Crankpin (-0.20Mm)	17	117-0311	2	Metal-Side (+0.40Mm)
8	100-1943	3	Metal-Crankpin (-0.40Mm)	18	100-1890	1	Collar-Crankshaft
8	100-2000	3	Metal-Crankpin (STD)	19	100-1974	1	Slinger-Oil
9	117-0308	1	Crankshaft	20	100-2209	1	O-Ring
10	100-1791	3	Ball	21	117-0328	3	Piston Kit (STD)
11	100-1891	1	Gear-Crankshaft	21	117-0329	3	Piston Kit (+.25Mm)
12	100-1752	1	Key-Feather	22	110-3749	1	Engine Metal Kit
13	110-3738	1	Metal-Crankshaft (STD)	22	110-3750	1	Engine Metal Kit
13	110-3739	1	Metal-Crankshaft (-0.20Mm)	22	110-3751	1	Engine Metal Kit
13	110-3740	1	Metal-Crankshaft (-0.40Mm)				
14	110-3741	1	Crankshaft Metal ASM (STD)				
14	110-3742	1	Crankshaft Metal ASM (-0.20Mm)				



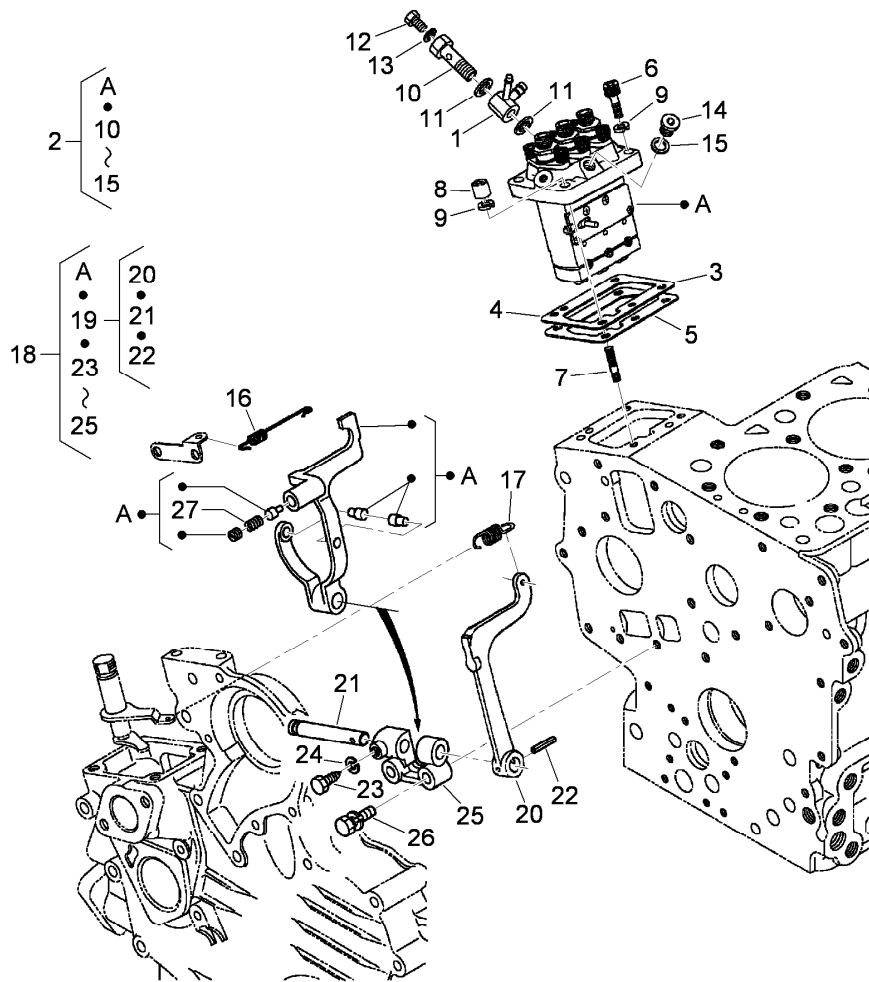
Flywheel and Fuel Camshaft Assembly

Ref.	Part Number	Qty.	Description
1	110-3752	1	Flywheel
2	112-2816	1	Gear-Ring
3	100-1930	5	Bolt-Flywheel
4	117-0323	1	Plate-End, Rear
5	110-3754	3	Bolt
6	112-8335	1	Fuel Camshaft ASM
7	110-3756	1	Camshaft-Fuel
8	100-1795	1	Bearing-Ball
9	100-2006	1	Gear-Pump, Injection
10	100-1752	1	Key-Feather
11	112-8336	1	Sleeve-Governor
12	100-1904	1	Case-Ball, Governor
13	100-1790	32	Ball
14	100-1843	1	Circ-Clip
15	100-1793	8	Ball
16	110-3757	1	Bearing-Ball
17	100-1784	1	Circ-Clip, External
18	100-1888	1	Stopper-Fuel, Camshaft
19	98-9350	2	Bolt



Idle Apparatus and Stop Solenoid Assembly

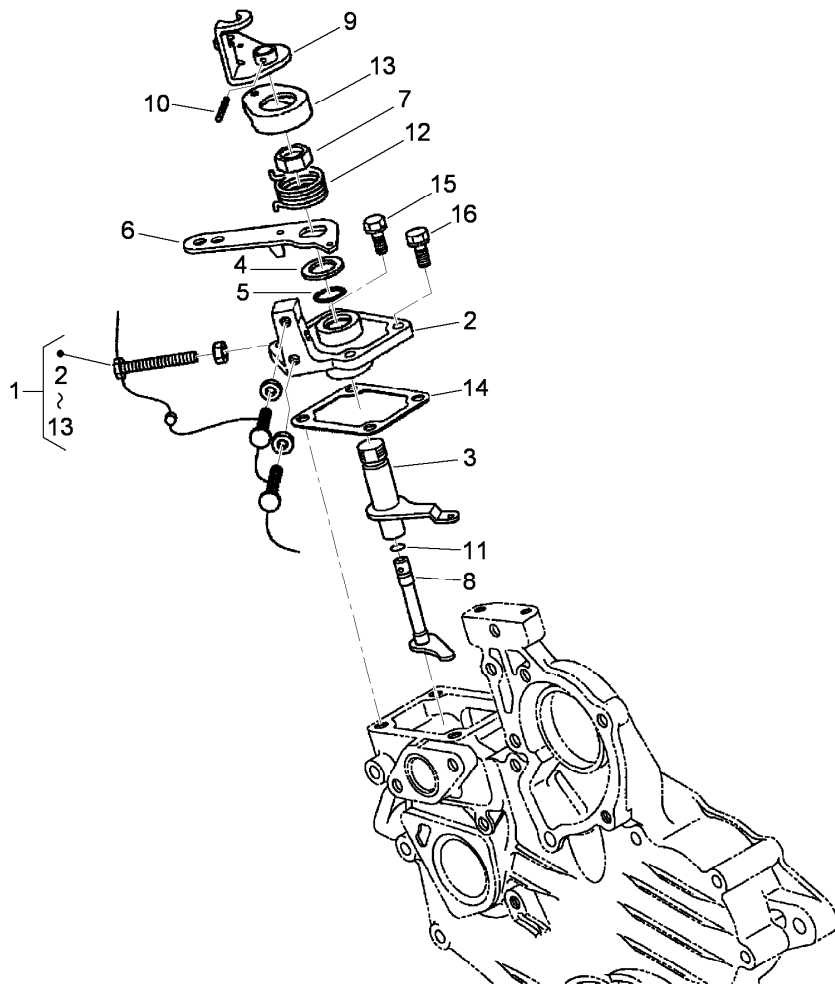
Ref.	Part Number	Qty.	Description
1	100-1898	1	Idle Apparatus ASM
2	100-1899	1	Adjusting Bolt ASM
3	100-1846	1	Nut
4	100-1901	1	Nut-Cap
5	98-7428	2	Gasket
6	100-1902	1	Cap
7	110-3758	1	Bolt-Adjusting
8	100-2175	1	Nut-Lock
9	98-7654	1	Gasket
10	99-8387	1	Nut-Cap
11	107-9081	1	Gasket
12	110-3760	1	Solenoid-Stop
13	110-3761	1	Stay-Commander, Coil
14	110-3762	1	O-Ring
15	110-3763	2	Bolt-HSH
16	98-7699	2	Washer-Spring
17	100-1774	2	Bolt-Flange



Injection Pump and Governor Assembly

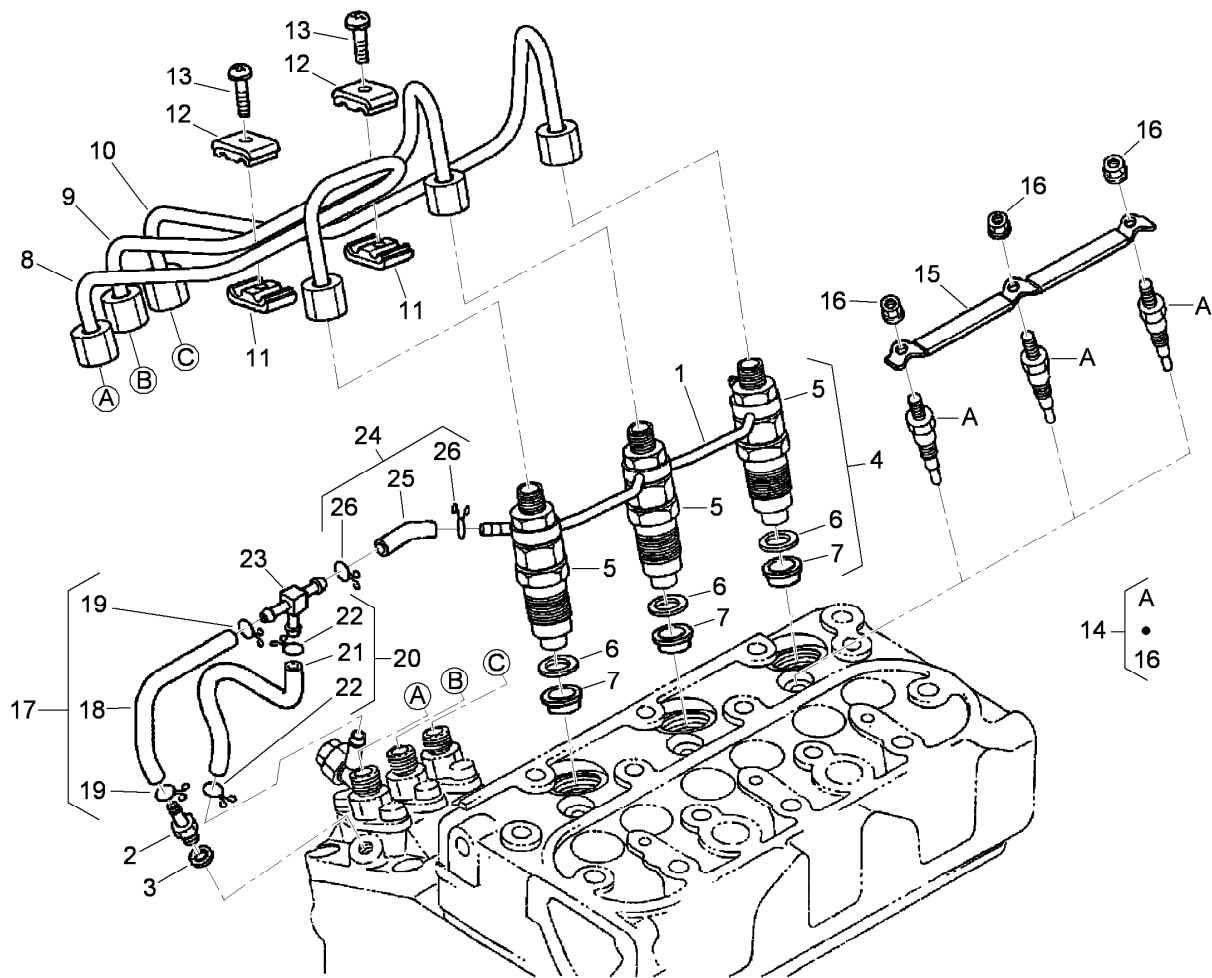
<i>Ref.</i>	<i>Part Number</i>	<i>Qty.</i>	<i>Description</i>
1	110-3764	1	Joint
2	110-3765	1	Injection Pump ASM
3	98-9456	1	Shim-Injection (0.20Mm)
4	115-3045	1	Shim-Injection (0.175Mm)
5	115-3046	1	Shim-Injection (0.35Mm)
6	98-9361	2	Bolt-HSH
7	98-9438	2	Stud
8	98-9440	2	Nut-Cap
9	98-7699	4	Washer-Spring
10	100-1896	1	Screw-Hollow
11	98-9445	2	Gasket
12	98-9430	1	Screw
13	98-9446	1	Gasket
14	98-9466	1	Plug

<i>Ref.</i>	<i>Part Number</i>	<i>Qty.</i>	<i>Description</i>
15	98-9451	1	Gasket
16	110-3766	1	Spring-Start
17	110-3767	1	Spring-Governor
18	112-8337	1	Fork Lever ASM
19	100-1905	1	Fork Lever ASM
20	100-1907	1	Lever-Fork
21	100-1908	1	Shaft-Lever, Fork
22	100-1751	1	Pin-Spring
23	100-1845	1	Bolt
24	100-2204	1	Washer-Spring
25	100-1909	1	Holder-Lever, Fork
26	100-1763	2	Bolt
27	117-0313	1	Spring



Speed Control Plate Assembly

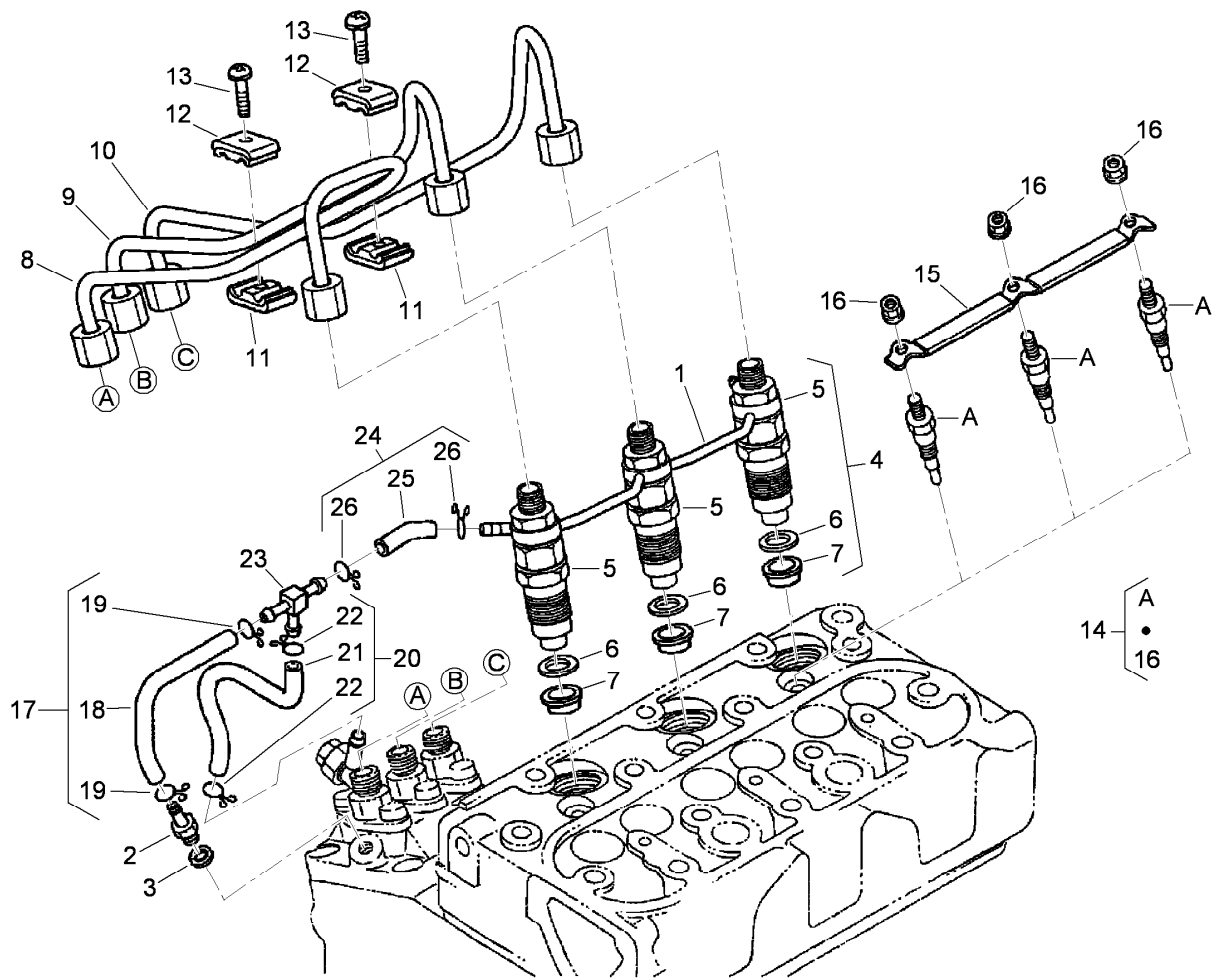
<i>Ref.</i>	<i>Part Number</i>	<i>Qty.</i>	<i>Description</i>
1	110-3769	1	Speed Control Plate ASM
2	110-3770	1	Plate-Control, Speed
3	110-3771	1	Lever-Governor
4	110-3772	1	Collar
5	100-2208	1	O-Ring
6	110-3773	1	Lever-Control, Speed
7	110-3774	1	Nut-Control, Speed
8	110-3775	1	Shaft-Lever
9	110-3776	1	Lever-Stop, Engine
10	110-3777	1	Pin-Spring
11	100-2207	1	O-Ring
12	110-3778	1	Spring-Return
13	110-3779	1	Cap
14	100-1962	1	Gasket-Plate, Control
15	98-7605	2	Bolt
16	112-2507	2	Bolt



Nozzle Holder and Glow Plug Assembly

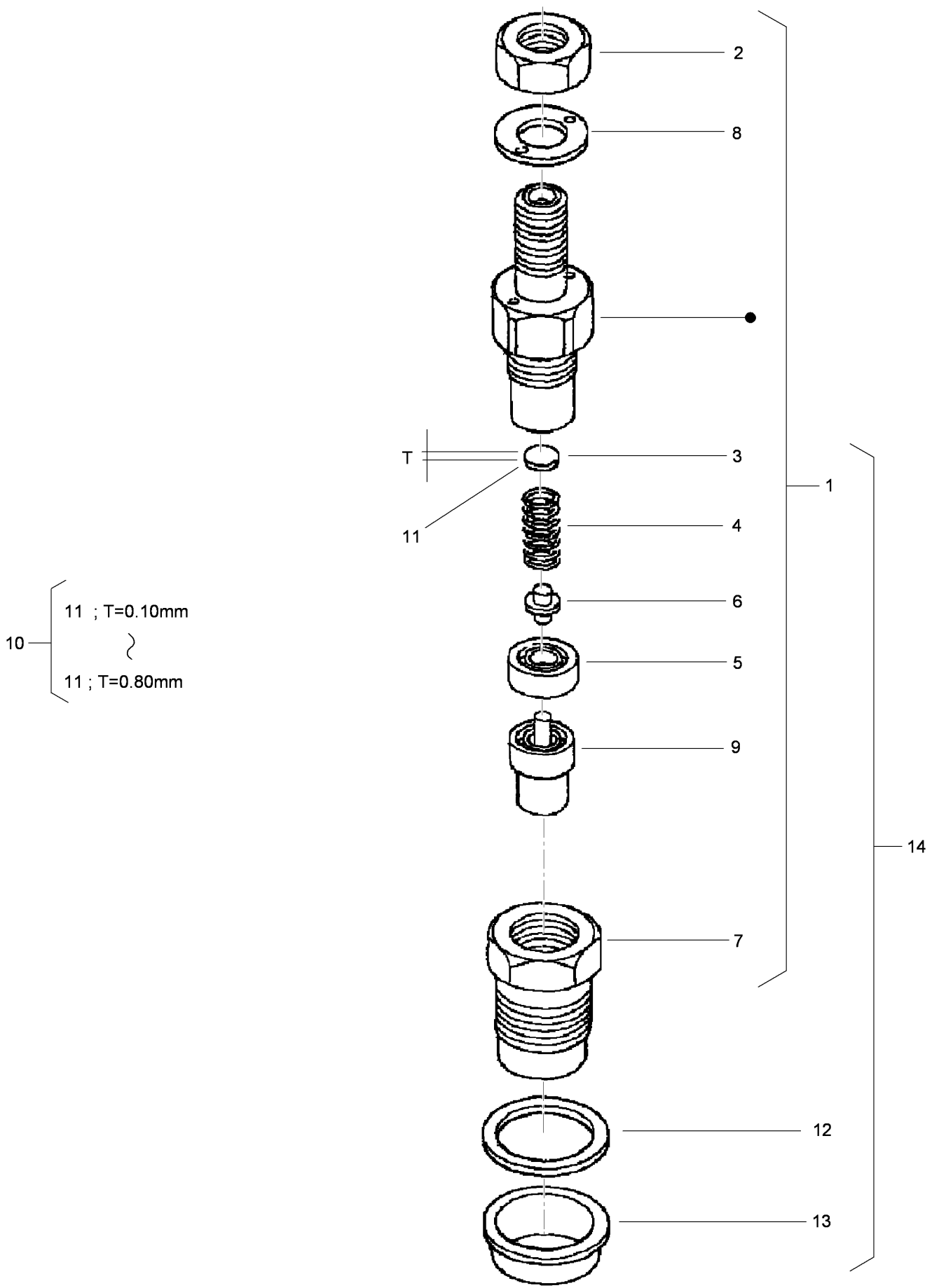
<i>Ref.</i>	<i>Part Number</i>	<i>Qty.</i>	<i>Description</i>
1	110-3780	1	Over Flow Pipe ASM
2	98-9431	1	Screw-Bleeder, Air
3	98-7654	1	Gasket
4	100-1982	3	Nozzle Holder Kit
5	100-1758	3	Nozzle Holder ASM
6	98-7676	3	Gasket
7	98-7677	3	Seal-Heat
8	110-3781	1	Pipe-Injection
9	110-3782	1	Pipe-Injection
10	110-3783	1	Pipe-Injection
11	98-7682	2	Clamp-Pipe
12	98-7683	2	Clamp-Pipe
13	98-7684	2	Screw (W/Washer)

<i>Ref.</i>	<i>Part Number</i>	<i>Qty.</i>	<i>Description</i>
14	98-7685	3	Plug-Glow
15	110-3784	1	Cord-Plug, Glow
16	99-8377	3	Nut-Flange
17	110-3785	1	Fuel Tube ASM
18	110-3786	1	Tube-Fuel
19	98-7671	4	Clip-Pipe
20	110-3787	1	Fuel Tube ASM
21	110-3788	1	Tube-Fuel
22	98-7671	2	Clip-Pipe
23	112-8338	1	Pipe-Joint, T
24	110-3790	1	Fuel Tube ASM
25	110-3791	1	Tube-Fuel
26	100-2217	2	Clip-Pipe



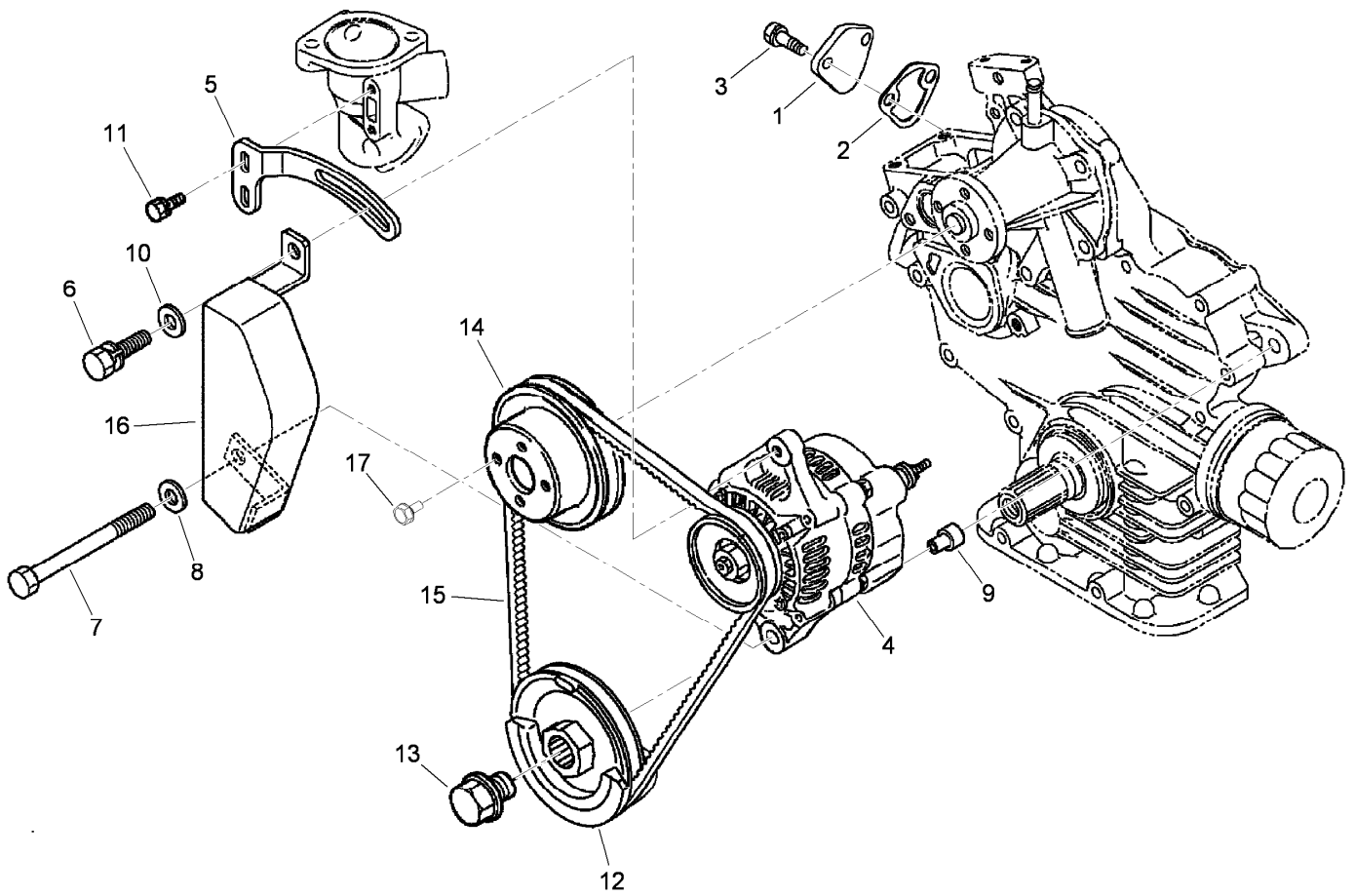
Nozzle Holder and Glow Plug Assembly (continued)

Nozzle Holder Assembly



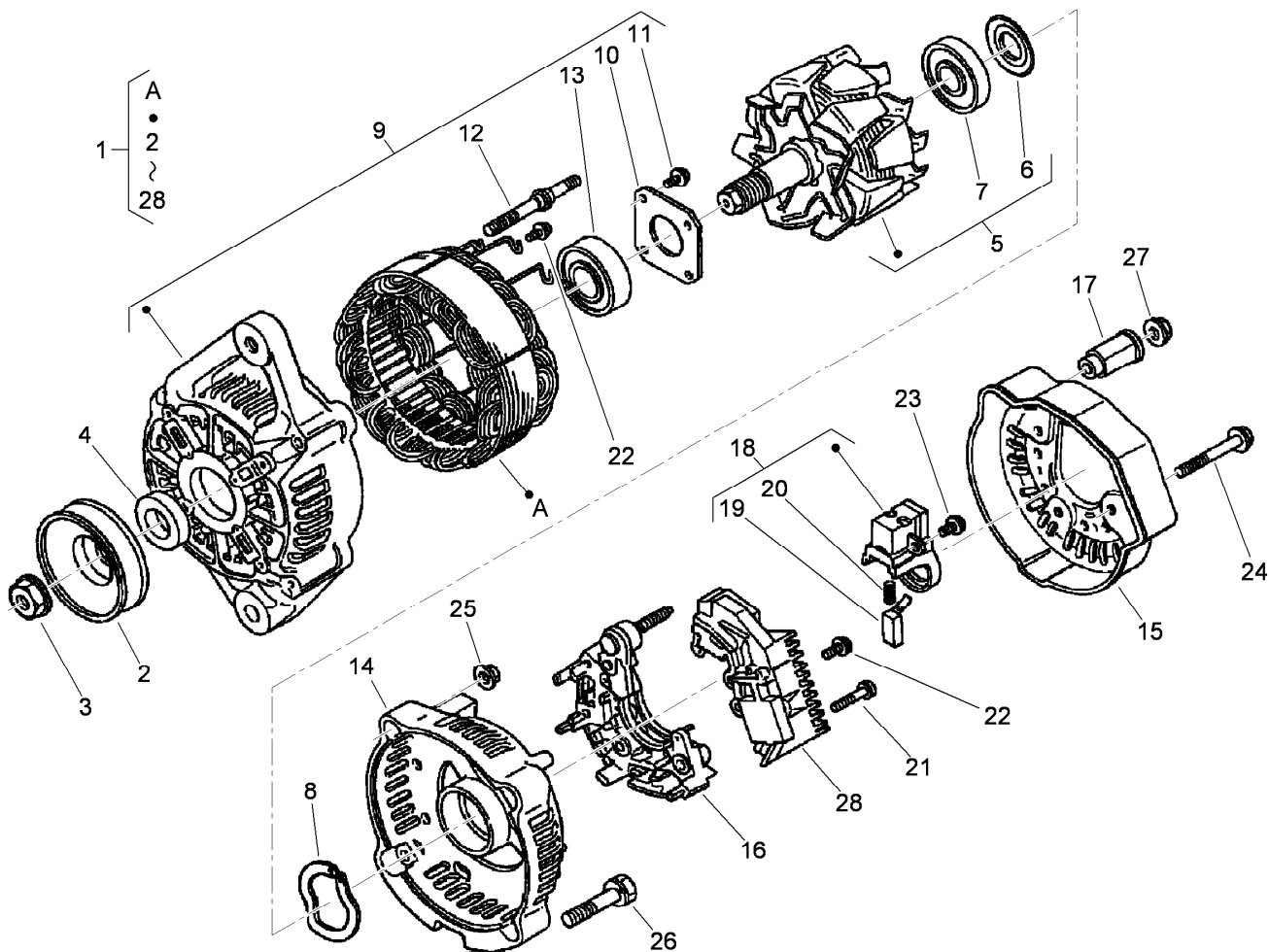
Nozzle Holder Assembly (continued)

<i>Ref.</i>	<i>Part Number</i>	<i>Qty.</i>	<i>Description</i>	<i>Ref.</i>	<i>Part Number</i>	<i>Qty.</i>	<i>Description</i>
1	100-1758	3	Nozzle Holder ASM	11	98-7860	3	Washer-Adjusting (1.400Mm)
2	98-7613	3	Nut	11	98-7861	3	Washer-Adjusting (1.425Mm)
3	98-7642	3	Washer-Adjusting (0.900Mm)	11	98-7862	3	Washer-Adjusting (1.450Mm)
4	98-7647	3	Spring-Nozzle	11	98-7863	3	Washer-Adjusting (1.475Mm)
5	98-7665	3	Spacer-Distance	11	98-7864	3	Washer-Adjusting (1.500Mm)
6	98-7666	3	Rod-Push	11	98-7865	3	Washer-Adjusting (1.525Mm)
7	100-2008	3	Nut-Nozzle	11	98-7866	3	Washer-Adjusting (1.550Mm)
8	98-7668	3	Washer	11	98-7867	3	Washer-Adjusting (1.575Mm)
9	100-2009	3	Piece-Nozzle	11	98-7868	3	Washer-Adjusting (1.600Mm)
10	98-9448	3	Adjusting Washer ASM	11	98-7869	3	Washer-Adjusting (1.625Mm)
11	98-7642	3	Washer-Adjusting (0.900Mm)	11	98-7870	3	Washer-Adjusting (1.650Mm)
11	98-7841	3	Washer-Adjusting (0.925Mm)	11	98-7871	3	Washer-Adjusting (1.675Mm)
11	98-7842	3	Washer-Adjusting (0.950Mm)	11	98-7872	3	Washer-Adjusting (1.700Mm)
11	98-7843	3	Washer-Adjusting (0.975Mm)	11	98-7873	3	Washer-Adjusting (1.725Mm)
11	98-7844	3	Washer-Adjusting (1.000Mm)	11	98-7874	3	Washer-Adjusting (1.750Mm)
11	98-7845	3	Washer-Adjusting (1.025Mm)	11	98-7875	3	Washer-Adjusting (1.775Mm)
11	98-7846	3	Washer-Adjusting (1.050Mm)	11	98-7876	3	Washer-Adjusting (1.800Mm)
11	98-7847	3	Washer-Adjusting (1.075Mm)	11	98-7877	3	Washer-Adjusting (1.825Mm)
11	98-7848	3	Washer-Adjusting (1.100Mm)	11	98-7878	3	Washer-Adjusting (1.850Mm)
11	98-7849	3	Washer-Adjusting (1.125Mm)	11	98-7879	3	Washer-Adjusting (1.875Mm)
11	98-7850	3	Washer-Adjusting (1.150Mm)	11	98-7880	3	Washer-Adjusting (1.900Mm)
11	98-7851	3	Washer-Adjusting (1.175Mm)	11	98-7881	3	Washer-Adjusting (1.925Mm)
11	98-7852	3	Washer-Adjusting (1.200Mm)	11	98-7882	3	Washer-Adjusting (1.950Mm)
11	98-7853	3	Washer-Adjusting (1.225Mm)	12	98-7676	3	Gasket
11	98-7854	3	Washer-Adjusting (1.250Mm)	13	98-7677	3	Seal-Heat
11	98-7855	3	Washer-Adjusting (1.275Mm)	14	100-1982	3	Nozzle Holder Kit
11	98-7856	3	Washer-Adjusting 1.300Mm)				
11	98-7857	3	Washer-Adjusting (1.325Mm)				
11	98-7858	3	Washer-Adjusting (1.350Mm)				
11	98-7859	3	Washer-Adjusting (1.375Mm)				



Alternator, Pulley and Fuel Pump Cover Assembly

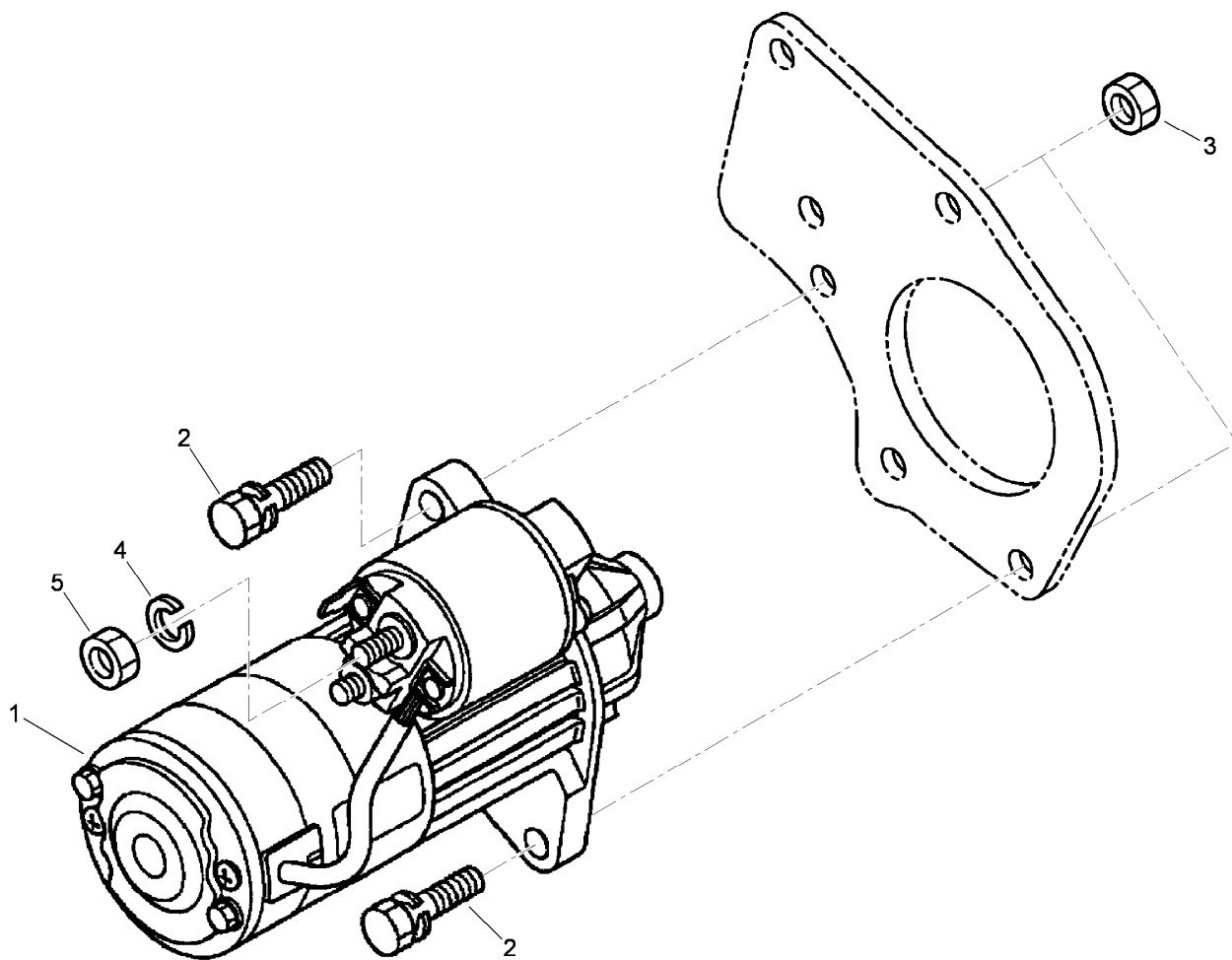
<i>Ref.</i>	<i>Part Number</i>	<i>Qty.</i>	<i>Description</i>
1	99-3514	1	Cover
2	98-9636	1	Gasket-Pump, Fuel
3	98-7692	2	Bolt
4	98-9474	1	Alternator ASM
5	110-3792	1	Stay-Alternator
6	98-7697	1	Bolt
7	110-3793	1	Bolt
8	98-7660	1	Washer-Plain
9	110-3794	1	Collar
10	100-9233	1	Washer-Plain
11	98-7605	2	Bolt
12	110-3795	1	Pulley-Drive, Fan
13	100-1978	1	Bolt
14	100-1921	1	Pulley-Fan
15	110-3796	1	Belt-V
16	110-3797	1	Cover
17	99-8363	4	Bolt-Flange



Alternator Components Assembly

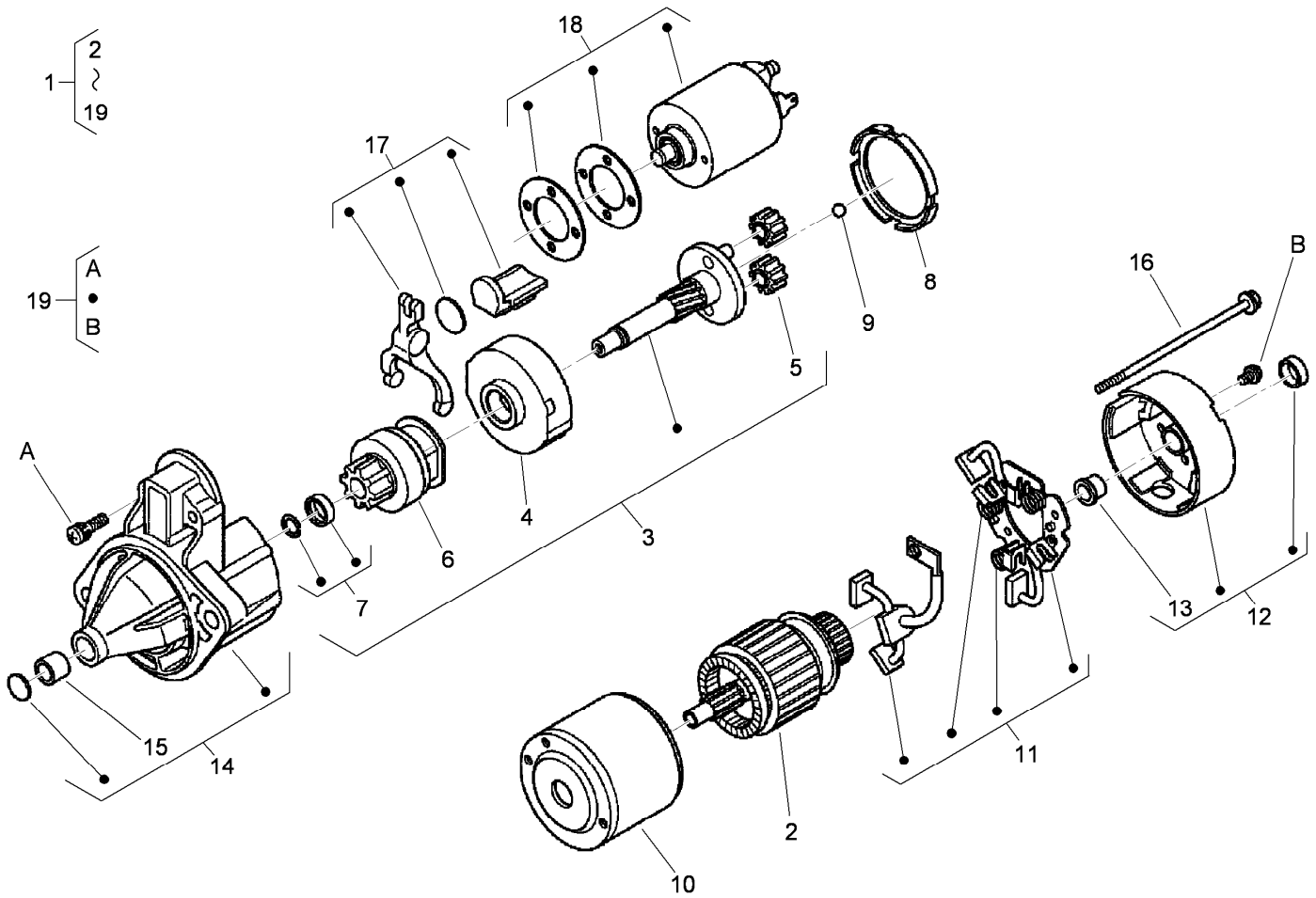
Ref.	Part Number	Qty.	Description
1	98-9474	1	Alternator ASM
2	98-9453	1	Pulley-Dynamo
3	98-7708	1	Nut
4	98-7709	1	Collar
5	107-0136	1	Rotor ASM
6	98-7711	1	Cover-Bearing
7	107-0138	1	Bearing-Ball
8	98-7713	1	Washer-Thrust
9	107-0139	1	Drive End Frame ASM
10	98-7715	1	Plate-Retainer
11	98-7716	4	Screw-Head, Round
12	98-7717	2	Bolt-Through
13	107-0137	1	Bearing-Ball
14	107-9087	1	Frame-End

Ref.	Part Number	Qty.	Description
15	107-0140	1	Cover-End
16	98-7721	1	Rectifier ASM
17	98-7722	1	Bushing-Insulation
18	107-0141	1	Brush Holder ASM
19	98-7724	2	Brush
20	98-7725	2	Spring-Brush
21	98-7726	2	Screw-Head, Round
22	98-7727	6	Screw-Head, Round
23	98-7728	1	Screw-Head, Round
24	98-7729	3	Bolt
25	98-7730	2	Nut
26	98-7731	2	Bolt
27	98-7732	1	Nut
28	110-3799	1	Regulator ASM



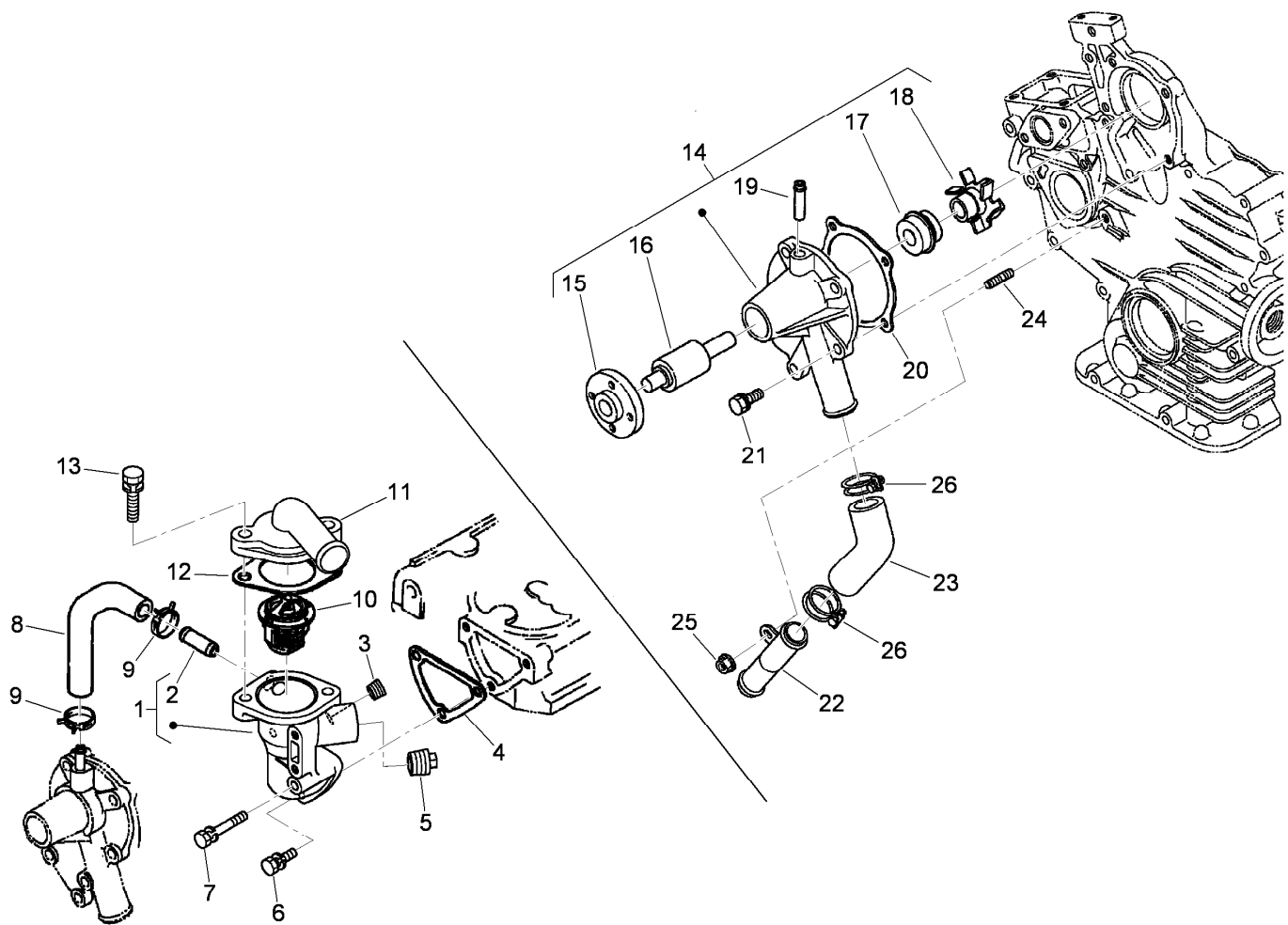
Starter Assembly

<i>Ref.</i>	<i>Part Number</i>	<i>Qty.</i>	<i>Description</i>
1	110-3800	1	Starter ASM
2	100-1770	2	Bolt
3	98-7661	2	Nut
4	98-7535	1	Washer-Spring
5	98-7534	1	Nut



Starter Components Assembly

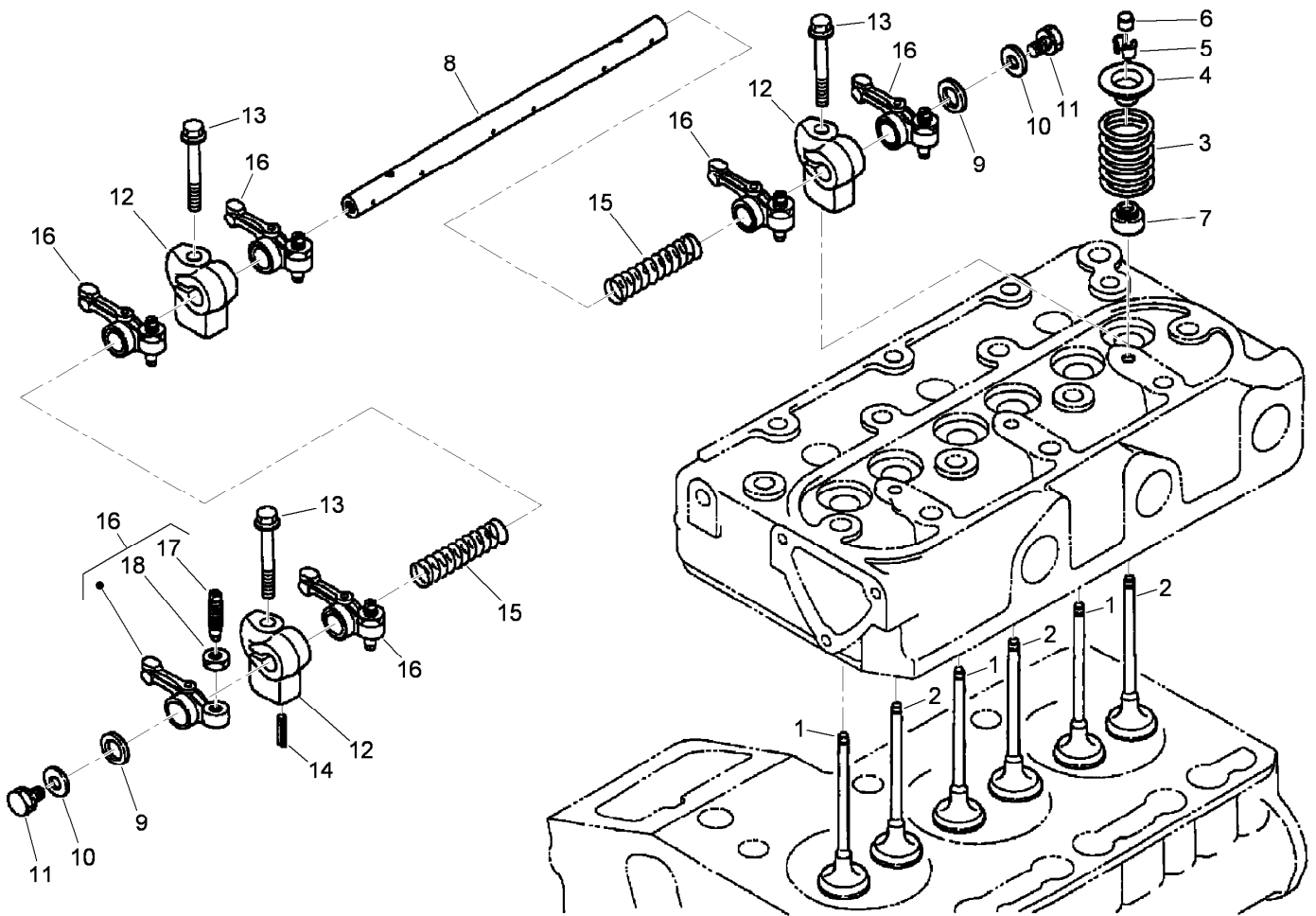
<i>Ref.</i>	<i>Part Number</i>	<i>Qty.</i>	<i>Description</i>
1	110-3800	1	Starter ASM
2	110-3801	1	Armature
3	110-3802	1	Shaft ASM
4	110-3803	1	Gear-Internal
5	110-3804	3	Gear-Planetary
6	110-3805	1	Clutch-Running, Over
7	110-3806	1	Stopper
8	110-3807	1	Gasket
9	110-3808	1	Ball
10	110-3809	1	Yoke
11	110-3810	1	Brush Holder ASM
12	110-3811	1	Rear Bracket ASM
13	110-3812	1	Bushing
14	110-3813	1	Front Bracket ASM
15	110-3814	1	Bushing
16	110-3815	2	Bolt
17	110-3816	1	Fork Lever ASM
18	110-3817	1	Magnetic Switch ASM
19	110-3818	1	Screws (Set Of 4)



Water Flange and Thermostat Assembly

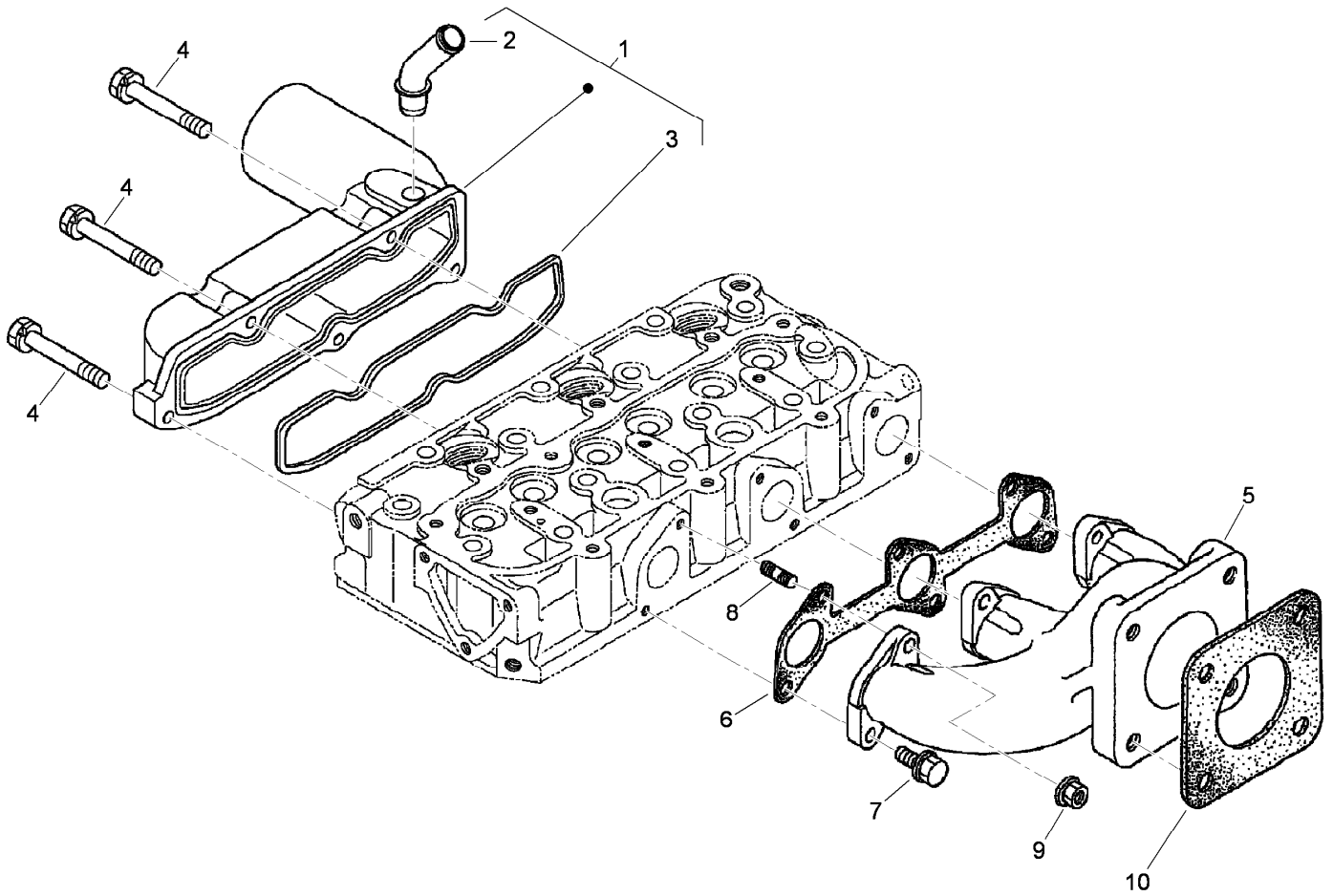
<i>Ref.</i>	<i>Part Number</i>	<i>Qty.</i>	<i>Description</i>
1	110-3819	1	Water Flange ASM
2	98-9580	1	Pipe-Return, Water
3	98-9444	1	Plug
4	110-3820	1	Gasket-Flange, Water
5	110-3821	1	Plug
6	98-7692	2	Bolt
7	105-3797	1	Bolt
8	110-3822	1	Pipe-Return, Water
9	98-9579	2	Band-Pipe
10	98-7778	1	Thermostat ASM
11	110-3823	1	Cover-Thermostat
12	105-3748	1	Gasket-Thermostat
13	98-7777	2	Bolt

<i>Ref.</i>	<i>Part Number</i>	<i>Qty.</i>	<i>Description</i>
14	110-3824	1	Water Pump ASM
15	100-1933	1	Flange-Pump, Water
16	100-1934	1	Bearing-Ball
17	99-3518	1	Water Pump Seal ASM
18	110-3825	1	Impeller-Pump, Water
19	100-1932	1	Pipe-Return, Water
20	117-0330	1	Gasket-Pump, Water
21	100-1750	4	Bolt
22	100-1918	1	Pipe-Water
23	110-3827	1	Pipe-Water
24	100-1924	1	Stud
25	100-2203	1	Nut-Flange
26	110-3828	2	Band-Pipe



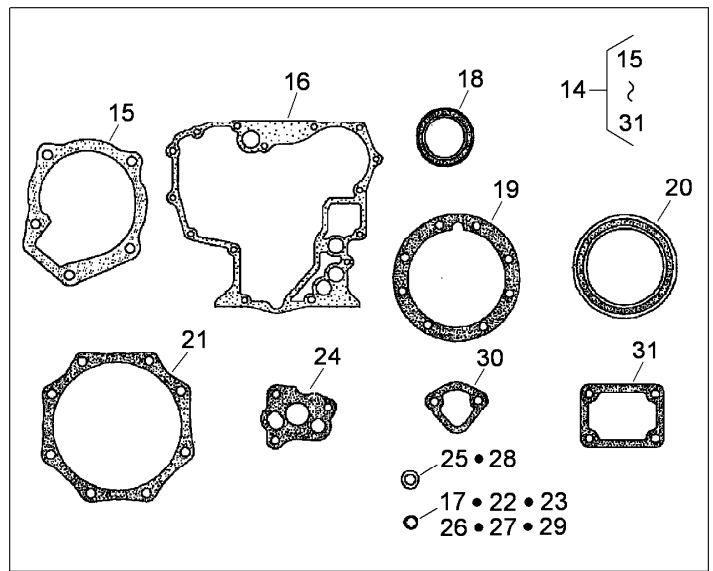
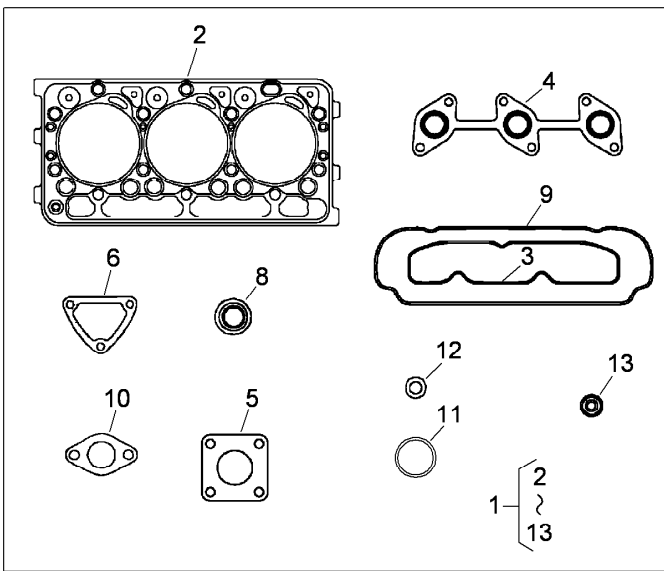
Valve and Rocker Arm Assembly

Ref.	Part Number	Qty.	Description
1	112-2514	3	Valve-Inlet
2	112-2515	3	Valve-Exhaust
3	100-1823	6	Spring-Valve
4	100-1825	6	Retainer-Spring, Valve
5	100-1826	6	Collet-Spring, Valve
6	100-2155	6	Cap-Valve
7	100-1797	6	Seal-Stem, Valve
8	112-8341	1	Shaft-Arm, Rocker
9	100-2044	2	Washer
10	110-3832	2	Washer-Plain
11	100-1762	2	Bolt
12	110-3833	3	Bracket-Arm, Rocker
13	110-3834	3	Bolt-Flange
14	98-7602	1	Pin-Spring
15	112-8342	2	Spring
16	100-1884	6	Rocker Arm ASM
17	100-1885	6	Screw-Adjusting
18	100-1827	6	Nut



Inlet and Exhaust Manifold Assembly

<i>Ref.</i>	<i>Part Number</i>	<i>Qty.</i>	<i>Description</i>
1	110-3836	1	Inlet Manifold ASM
2	110-3837	1	Pipe-Breather
3	110-3838	1	Gasket-Manifold, Intake
4	98-9352	5	Bolt
5	110-3839	1	Manifold-Exhaust
6	110-3840	1	Gasket-Manifold, Exhaust
7	100-1775	3	Bolt
8	100-2202	3	Stud
9	100-1778	3	Nut
10	99-8343	1	Gasket-Muffler



Upper and Lower Gasket Kits

Ref.	Part Number	Qty.	Description
1	112-2518	1	Upper Gasket Kit
2	112-2520	1	Gasket-Head, Cylinder
3	110-3838	1	Gasket-Manifold, Intake
4	110-3840	1	Gasket-Manifold, Exhaust
5	99-8343	1	Gasket-Muffler
6	110-3820	1	Gasket-Flange, Water
8	100-1797	6	Seal-Stem, Valve
9	112-2521	1	Gasket-Cover, Head
10	105-3748	1	Gasket-Thermostat
11	99-3446	1	O-Ring
12	98-7676	3	Gasket
13	98-7677	3	Seal-Heat
14	117-0331	1	Lower Gasket Kit
15	117-0330	1	Gasket-Pump, Water
16	117-0327	1	Gasket-Case, Gear

Ref.	Part Number	Qty.	Description
17	110-3762	1	O-Ring
18	100-1971	1	Seal-Oil
19	100-1873	1	Gasket-Case, Bearing
20	110-3724	1	Seal-Oil
21	100-1876	1	Gasket-Cover, Case
22	100-2206	3	O-Ring
23	100-2209	1	O-Ring
24	100-2003	3	Gasket-Pump, Oil
25	98-7654	3	Gasket
26	100-2208	1	O-Ring
27	100-2207	1	O-Ring
28	110-9715	3	Gasket-Pan, Oil
29	105-3776	1	O-Ring
30	98-9636	1	Gasket-Pump, Fuel
31	100-1962	1	Gasket-Plate, Control

Attachments and Accessories

For 74265TE Z580-D Z Master With 152cm TURBO FORCE Side Discharge Mower

Product Name	Model/Part
1.25in Spark Arrester Kit.....	105-1672
Blade-Mid Flow, 20.5in	105-7715-03
Blade-Lo Flow, 20.5in	105-7716-03
Blade-Hi Flow, 20.5in.....	105-7718-03
Blade-Recycler, 20.5in.....	105-7777-03
Blade-Atomic, 20.5in	105-8777-03
Recycler Kit	107-1611
Striping Kit	107-1630
Turbo Baffle Kit	107-1634
Light Kit.....	107-9880
6 Pack Blade, 20.5in Hi-Flow	108-1114
6 Pack-Blade, 20.5in Atomic.....	108-1115
6 Pack Blade, 20.5in Mid-Flow	108-1123
6 Pack-Blade, 20.5in Lo Flow	108-1128
Roller Striping Kit	108-2162
6 Pack-Blade, 20.5in Recycler.....	110-0405
DFS Vac Collection System Mounting Kit	110-0891
DFS Bagger Gusset Kit.....	110-3946
Hypr-Oil 500 (quart)	114-4713
Hypr-Oil 500 (gallon).....	114-4714
Hypr-Oil 500-5 (5 gallon).....	114-4715
Bimini Folding Shade Assembly	115-4510
Vac Collection System	78514
Chute Gate Kit	78521
Filter Minder Gauge	99-4664
Hitch Kit	99-8925

Notes:



Count on it.