



---

**EN 48cm Super Recycler® Lawn Mower**

21681

**DE 48 cm Super Recycler® Rasenmäher**

21681

**FR Tondeuse Super Recycler® de 48 cm**

21681

**NL 48 cm Super Recycler® gazonmaaier**

21681





# 48cm Super Recycler® Lawn Mower

Model No. 21681—Serial No. 40000000 and Up

## Operator's Manual

# Introduction

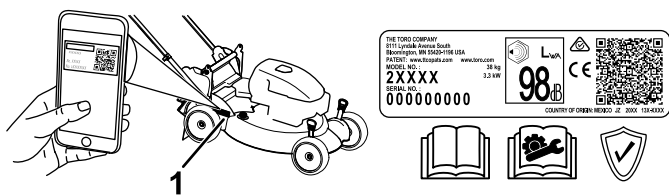
This rotary-blade, walk-behind lawn mower is intended to be used by residential homeowners. It is designed primarily for cutting grass on well-maintained lawns on residential properties.

Read this information carefully to learn how to operate and maintain your product properly and to avoid injury and product damage. You are responsible for operating the product properly and safely.

Visit [www.Toro.com](http://www.Toro.com) for more information, including safety tips, training materials, accessory information, help finding a dealer, or to register your product.

Whenever you need service, genuine Toro parts, or additional information, contact an Authorized Service Dealer or Toro Customer Service and have the model and serial numbers of your product ready. **Figure 1** identifies the location of the model and serial numbers on the product. Write the numbers in the space provided.

**Important:** With your mobile device, you can scan the QR code on the serial number decal (if equipped) to access warranty, parts, and other product information.



**Figure 1**

1. Model and serial number location

Model No.	_____
Serial No.	_____

This manual identifies potential hazards and has safety messages identified by the safety-alert symbol (**Figure 2**), which signals a hazard that may cause serious injury or death if you do not follow the recommended precautions.



**Figure 2**  
Safety-alert symbol

g000502

This manual uses 2 words to highlight information. **Important** calls attention to special mechanical information and **Note** emphasizes general information worthy of special attention.

This product complies with all relevant European directives; for details, please see the separate product specific Declaration of Conformity (DOC) sheet.

**Gross or Net Torque:** The gross or net torque of this engine was laboratory rated by the engine manufacturer in accordance with the Society of Automotive Engineers (SAE) J1940 or J2723. As configured to meet safety, emission, and operating requirements, the actual engine torque on this class of mower will be significantly lower. Please refer to the engine manufacturer's information included with the machine.

Do not tamper with or disable safety devices on the machine, and check their proper operation regularly. Do not attempt to adjust or tamper with the engine speed control; doing so may create an unsafe operating condition, resulting in personal injury.

**Important:** If you are using this machine above 1500 m (5,000 ft) for a continuous period, ensure that the High Altitude Kit has been installed so that the engine meets CARB/EPA emission regulations. The High Altitude Kit increases engine performance while preventing spark-plug fouling, hard starting, and increased emissions. Once you have installed the kit, attach the high-altitude label next to the serial decal on the machine. Contact any Authorized Toro Service Dealer to obtain the proper High Altitude Kit and high-altitude label for your machine. To locate a dealer convenient to you, access our website at [www.Toro.com](http://www.Toro.com) or contact our Toro Customer Care Department at the number(s) listed in your Emission Control Warranty Statement.

Remove the kit from the engine and restore the engine to its original factory configuration when running the engine under 1500 m (5,000 ft). Do not operate an engine that has been converted



for high-altitude use at lower altitudes; otherwise, you could overheat and damage the engine.

If you are unsure whether or not your machine has been converted for high-altitude use, look for the following label:

NOTE: THE ENGINE ON THIS PRODUCT HAS BEEN MODIFIED FOR USE AT ABOVE 5,000 FEET ELEVATION. IF USING BELOW 5,000 FEET, IT MUST BE REVISED BACK TO ORIGINAL SPECIFICATIONS.

127-9363

decal127-9363

# Contents

Introduction ..... 1

Safety ..... 2

    General Safety ..... 2

    Safety and Instructional Decals ..... 3

Setup ..... 4

    1 Unfolding the Handle ..... 4

    2 Installing the Recoil-Starter Rope in the Rope Guide..... 5

    3 Filling the Crankcase with Oil ..... 5

    4 Assembling the Grass Bag..... 6

Product Overview ..... 7

    Specifications ..... 7

Operation ..... 7

    Before Operation ..... 7

        Before Operation Safety ..... 7

        Filling the Fuel Tank ..... 8

        Checking the Engine-Oil Level..... 8

        Adjusting the Handle Height ..... 8

        Adjusting the Cutting Height ..... 9

    During Operation ..... 9

        During Operation Safety ..... 9

        Starting the Engine ..... 10

        Using the Self-Propel Drive..... 10

        Shutting Off the Engine..... 11

        Recycling the Clippings ..... 11

        Bagging the Clippings..... 11

        Operating the Bag-on-Demand Lever ..... 11

        Rear-Discharging the Clippings ..... 12

        Operating Tips ..... 12

    After Operation ..... 13

        After Operation Safety ..... 13

        Cleaning under the Machine ..... 13

        Folding the Handle ..... 14

Maintenance ..... 15

    Recommended Maintenance Schedule(s) ..... 15

    Maintenance Safety ..... 15

    Preparing for Maintenance ..... 15

    Servicing the Air Filter..... 16

    Changing the Engine Oil ..... 16

    Servicing the Spark Plug..... 17

Replacing the Blade..... 18

Adjusting the Self-Propel Drive ..... 19

Storage ..... 19

    Storage Safety..... 19

    Preparing the Machine for Storage ..... 19

    Removing the Machine from Storage ..... 19

# Safety

This machine has been designed in accordance with EN ISO 5395.

## General Safety

This product is capable of amputating hands and feet and of throwing objects. Always follow all safety instructions to avoid serious personal injury.

Using this product for purposes other than its intended use could prove dangerous to you and bystanders.

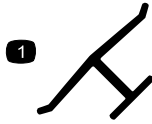
- Read, understand, and follow the instructions and warnings in this *Operator’s Manual* and on the machine and attachments before starting the engine.
- Do not put your hands or feet near moving parts of or under the machine. Keep clear of any discharge opening.
- Do not operate the machine without all guards and other safety protective devices in place and functioning properly on the machine.
- Keep bystanders and children out of the operating area. Do not allow children to operate the machine. Allow only people who are responsible, trained, familiar with the instructions, and physically capable to operate the machine.
- Stop the machine, shut off the engine, and wait for all moving parts to stop before servicing, fueling, or unclogging the machine.

Improperly using or maintaining this machine can result in injury. To reduce the potential for injury, comply with these safety instructions and always pay attention to the safety-alert symbol ▲, which means Caution, Warning, or Danger—personal safety instruction. Failure to comply with these instructions may result in personal injury or death.

# Safety and Instructional Decals



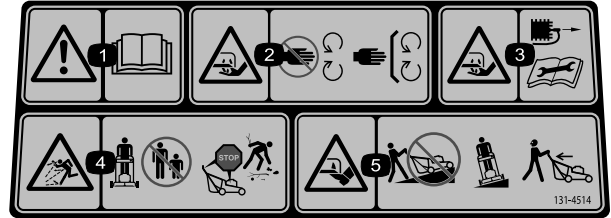
Safety decals and instructions are easily visible to the operator and are located near any area of potential danger. Replace any decal that is damaged or missing.



decaloemmark

## Manufacturer's Mark

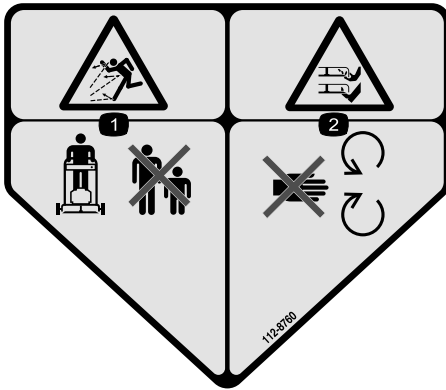
1. This mark indicates that the blade is identified as a part from the original machine manufacturer.



decal131-4514

## 131-4514

1. Warning—read the *Operator's Manual*.
2. Cutting/dismemberment hazard of hand, mower blade—stay away from moving parts; keep all guards and shields in place.
3. Cutting/dismemberment hazard of hand, mower blade—disconnect the spark-plug wire before performing maintenance.
4. Thrown object hazard—keep bystanders away.
5. Cutting/dismemberment hazard of foot, mower blade—do not operate up and down slopes; operate side to side on slopes; shut off the engine before leaving the machine; pick up any debris before mowing; look behind you when moving in reverse.



decal112-8760

## 112-8760

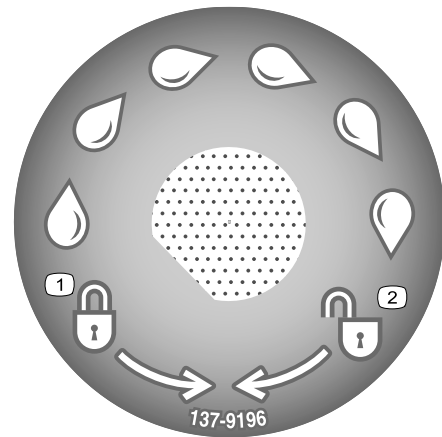
1. Thrown object hazard—keep bystanders away.
2. Cutting/dismemberment hazard of hand or foot, mower blade—stay away from moving parts.



decal119-2283

## 119-2283

1. Height of cut



137-9196

## 137-9196

decal137-9196

1. Lock
2. Unlock

# Setup

**Important:** Remove and discard the protective plastic sheet that covers the engine and any other plastic or wrapping on the machine.

## 1

## Unfolding the Handle

No Parts Required

### Procedure

#### ⚠ WARNING

Folding or unfolding the handle improperly can damage the cables, causing an unsafe operating condition.

- Do not damage the cables when folding or unfolding the handle.
- If a cable is damaged, contact an Authorized Service Dealer.

**Important:** Remove and discard the protective plastic sheet that covers the engine and any other plastic or wrapping on the machine.

1. Loosen the handle knobs (Figure 4).

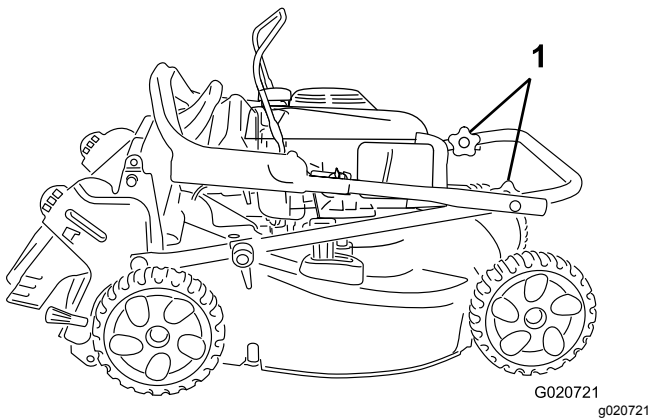


Figure 4

1. Handle knobs

2. Carefully move the upper handle forward until the handle halves are in line and nest together as shown in Figure 5.

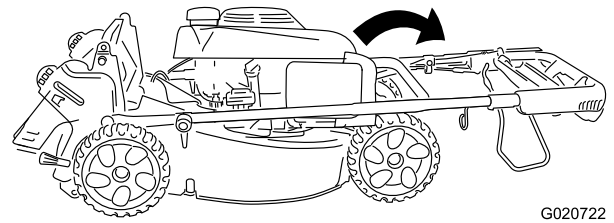


Figure 5

3. Tighten the handle knobs firmly by hand.
4. Rotate the handle rearward to the operating position, and lock the handle at your desired height. Refer to [Adjusting the Handle Height](#) (page 8).

# 2

## Installing the Recoil-Starter Rope in the Rope Guide

No Parts Required

### Procedure

*Important:* To start the engine safely and easily whenever you use the machine, install the recoil-starter rope in the rope guide.

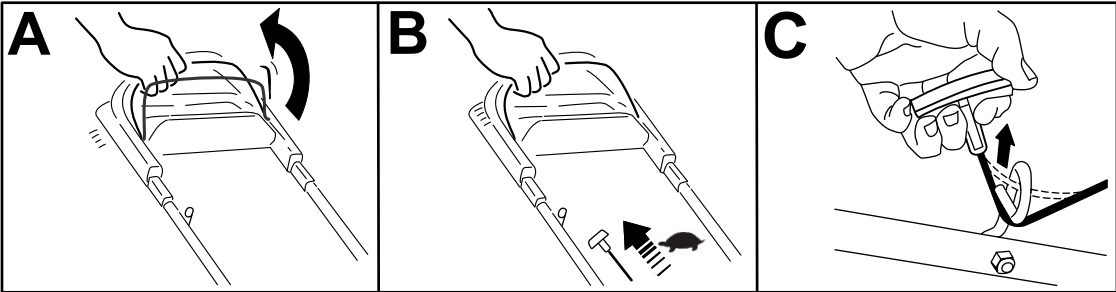


Figure 6

g230719

# 3

## Filling the Crankcase with Oil

No Parts Required

### Procedure

*Important:* If the oil level in the crankcase is too low or too high and you run the engine, you may damage the engine.

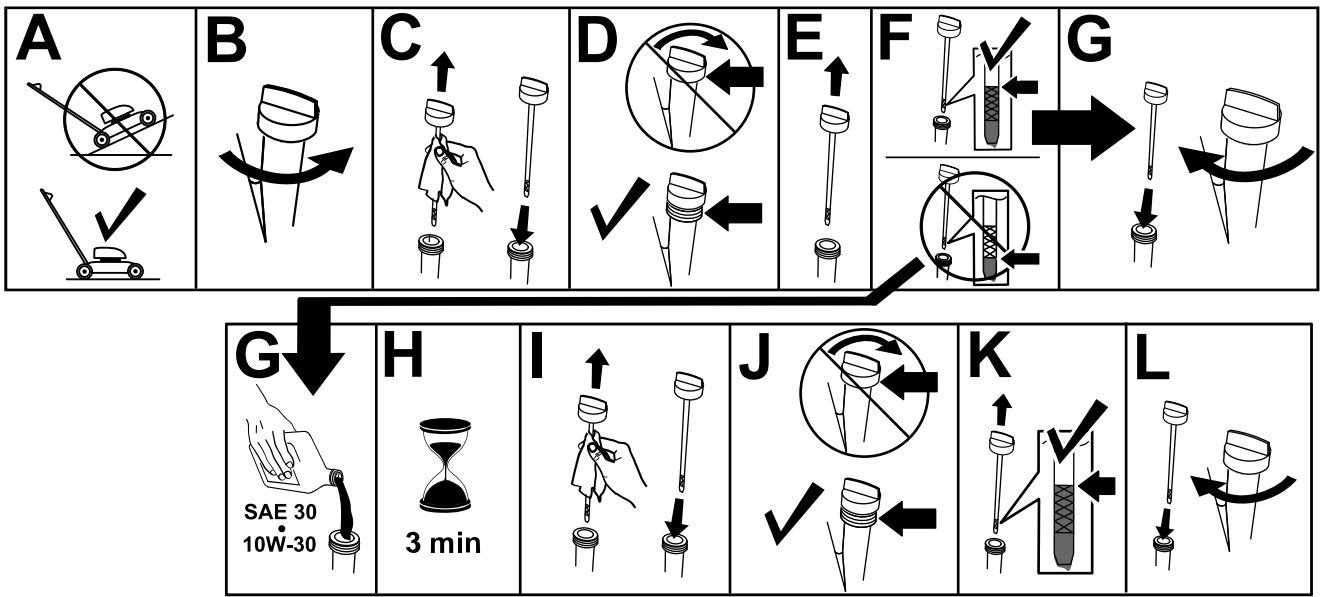


Figure 7

g235721

# 4

## Assembling the Grass Bag

No Parts Required

### Procedure

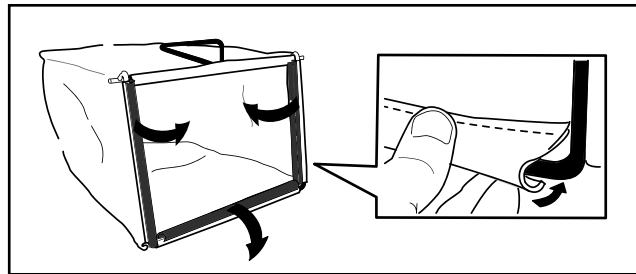


Figure 8

g241560

# Product Overview

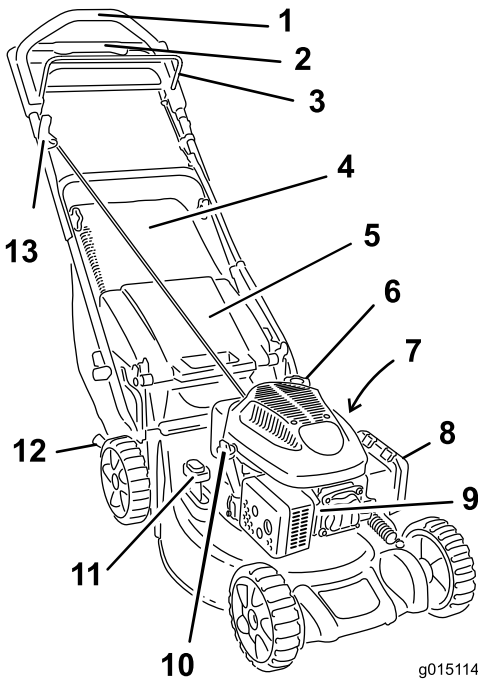


Figure 9

- |                             |                              |
|-----------------------------|------------------------------|
| 1. Upper handle             | 8. Air filter                |
| 2. Traction-assist handle   | 9. Spark plug                |
| 3. Blade-control bar        | 10. Oil-fill tube/dipstick   |
| 4. Grass bag                | 11. Bag-on-demand lever      |
| 5. Rear deflector           | 12. Cutting-height lever (2) |
| 6. Fuel-tank cap            | 13. Recoil-start handle      |
| 7. Washout port (not shown) |                              |

## Specifications

Model	Weight	Length	Width	Height
21681	39 kg (86 lb)	152 cm (60 inches)	53 cm (21 inches)	109 cm (43 inches)

# Operation

**Note:** Determine the left and right sides of the machine from the normal operating position.

## Before Operation

### Before Operation Safety

#### General Safety

- Always shut off the machine, wait for all moving parts to stop, and allow the machine to cool before adjusting, servicing, cleaning, or storing it.
- Become familiar with the safe operation of the equipment, operator controls, and safety signs.
- Check that all guards and safety devices, such as deflectors and/or grass catcher, are in place and functioning properly.
- Always inspect the machine to ensure that the blades and blade bolts are not worn or damaged.
- Inspect the area where you will use the machine, and remove all objects that could interfere with the operation of the machine or that the machine could throw.
- Contact with the moving blade will cause serious injury. Do not put your fingers under the housing when adjusting the cutting height.

#### Fuel Safety

- Fuel is extremely flammable and highly explosive. A fire or explosion from fuel can burn you and others and can damage property.
  - To prevent a static charge from igniting the fuel, place the container and/or machine directly on the ground before filling, not in a vehicle or on an object.
  - Fill the fuel tank outdoors, in an open area, when the engine is cold. Wipe up any fuel that spills.
  - Do not handle fuel when smoking or around an open flame or sparks.
  - Do not remove the fuel cap or add fuel to the tank while the engine is running or hot.
  - If you spill fuel, do not attempt to start the engine. Avoid creating a source of ignition until the fuel vapors have dissipated.
  - Store fuel in an approved container and keep it out of the reach of children.
- Fuel is harmful or fatal if swallowed. Long-term exposure to vapors can cause serious injury and illness.



- Avoid prolonged breathing of vapors.
- Keep your hands and face away from the nozzle and the fuel-tank opening.
- Keep fuel away from your eyes and skin.

- **Do not** store fuel either in the fuel tank or in fuel containers over the winter unless fuel stabilizer has been added to the fuel.
- **Do not** add oil to gasoline.

Fill the fuel tank with fresh unleaded regular gasoline from a major name-brand service station (Figure 10).

**Important:** To reduce starting problems, add fuel stabilizer/conditioner to fresh fuel as directed by the fuel-stabilizer manufacturer.

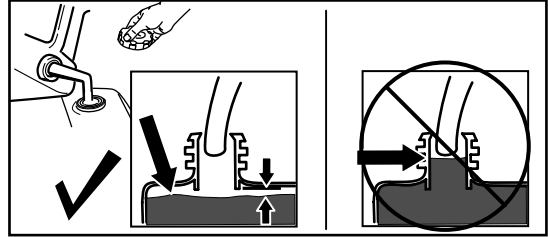


Figure 10

g230458

## Filling the Fuel Tank

- For best results, use only clean, fresh, unleaded gasoline with an octane rating of 87 or higher ((R+M)/2 rating method).
- Oxygenated fuel with up to 10% ethanol or 15% MTBE by volume is acceptable.
- **Do not** use ethanol blends of gasoline, such as E15 or E85, with more than 10% ethanol by volume. Performance problems and/or engine damage may result, which may not be covered under warranty.
- **Do not** use gasoline containing methanol.

## Checking the Engine-Oil Level

**Service Interval:** Before each use or daily

**Important:** If the oil level in the crankcase is too low or too high and you run the engine, you may damage the engine.

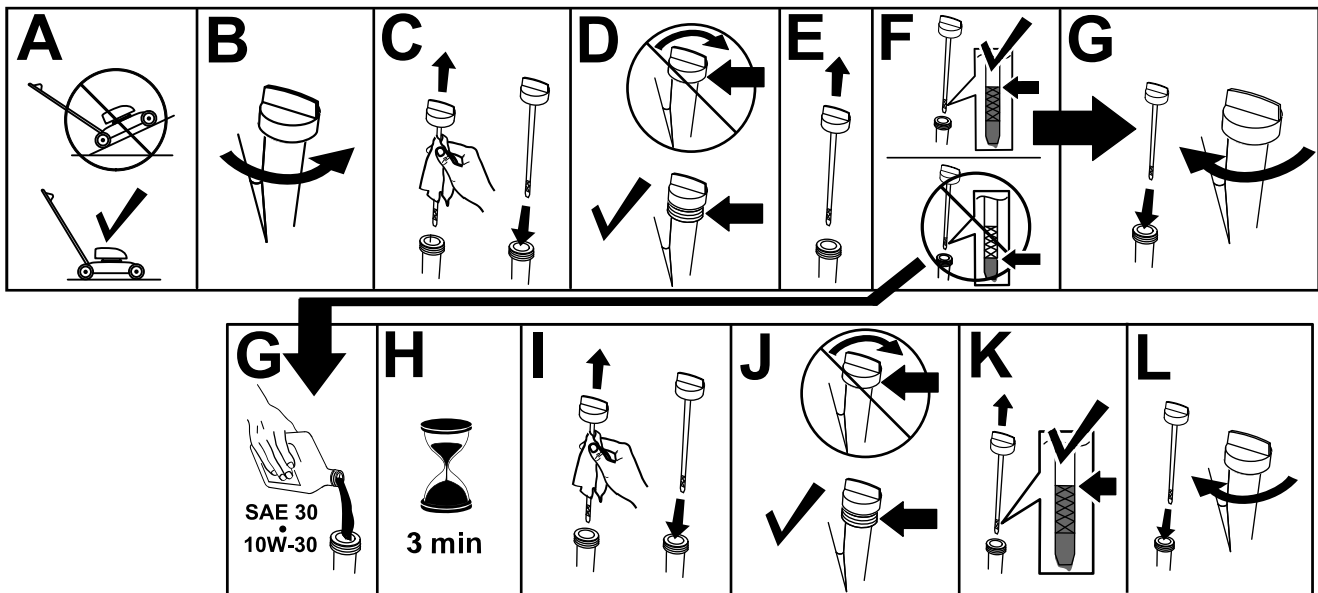


Figure 11

g235721

## Adjusting the Handle Height

You may raise or lower the handle to a position comfortable for you.

Rotate the handle lock, move the handle to 1 of 3 positions, and lock the handle into position (Figure 12).

# During Operation

## During Operation Safety

### General Safety

- Wear appropriate clothing, including eye protection; long pants; substantial, slip-resistant footwear; and hearing protection. Tie back long hair and do not wear loose clothing or loose jewelry.
- Use your full attention while operating the machine. Do not engage in any activity that causes distractions; otherwise, injury or property damage may occur.
- Do not operate the machine while ill, tired, or under the influence of alcohol or drugs.
- The blade is sharp; contacting the blade can result in serious personal injury. Shut off the engine and wait for all moving parts to stop before leaving the operating position.
- When you release the blade-control bar, the engine should shut off and the blade should stop within 3 seconds. If not, stop using your machine immediately and contact an Authorized Service Dealer.
- Keep bystanders out of the operating area. Keep small children out of the operating area and under the watchful care of a responsible adult who is not operating the machine. Stop the machine if anyone enters the area.
- Always look down and behind you before moving the machine in reverse.
- Operate the machine only in good visibility and appropriate weather conditions. Do not operate the machine when there is the risk of lightning.
- Wet grass or leaves can cause serious injury if you slip and contact the blade. Avoid mowing in wet conditions.
- Use extreme care when approaching blind corners, shrubs, trees, or other objects that may block your view.
- Do not direct the discharge material toward anyone. Avoid discharging material against a wall or obstruction; material may ricochet toward you. Stop the blade(s) when crossing gravel surfaces.
- Watch for holes, ruts, bumps, rocks, or other hidden objects. Uneven terrain could cause you to lose your balance or footing.
- If the machine strikes an object or starts to vibrate, immediately shut off the engine, wait for all moving parts to stop, and disconnect the wire from the spark plug before examining the machine

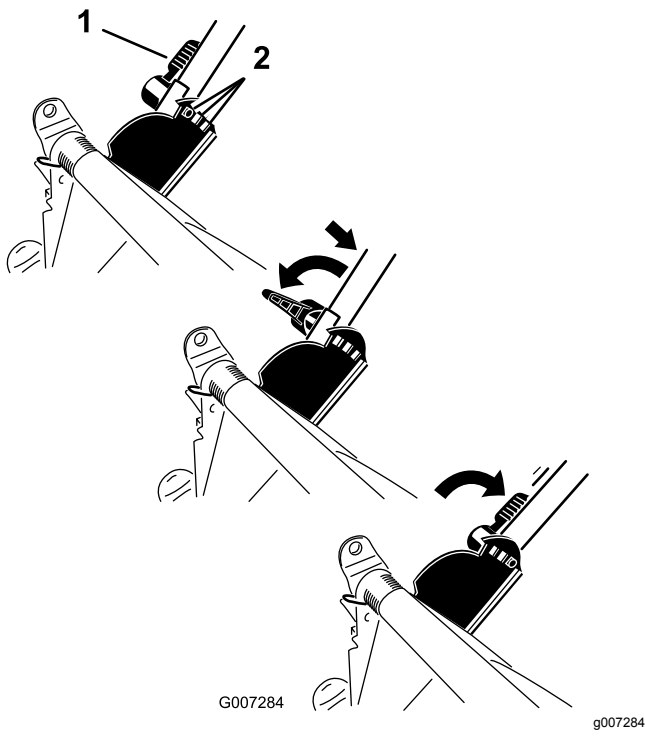


Figure 12

1. Handle lock

2. Handle positions

## Adjusting the Cutting Height

Adjust the cutting height as desired. Set all the cutting-height levers to the same height. To raise and lower the machine, refer to [Figure 13](#).

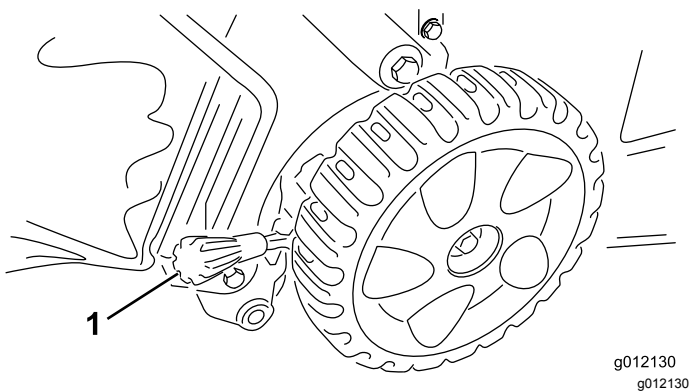


Figure 13

1. Cutting-height lever

**Important:** The cutting height settings are 25 mm (1 inch); 38 mm (1-1/2 inch); 51 mm (2 inches); 64 mm (2-1/2 inches); 83 mm (3-1/4 inches); 95 mm (3-3/4 inches); 108 mm (4-1/4 inches).

for damage. Make all necessary repairs before resuming operation.

- Before leaving the operating position, shut off the engine and wait for all moving parts to stop.
- If the engine has been running, it will be hot and can severely burn you. Keep away from the hot engine.
- Operate the engine only in well-ventilated areas. Exhaust gases contain carbon monoxide, which is lethal if inhaled.
- Check the grass catcher components and the discharge chute frequently for any wear or deterioration and replace them with genuine Toro parts when necessary.

## Slope Safety

- Mow across the face of slopes; never up and down. Use extreme caution when changing direction on slopes.
- Do not mow on excessively steep slopes. Poor footing could cause a slip-and-fall accident.
- Mow with caution near drop-offs, ditches, or embankments.

## Starting the Engine

1. Hold the blade-control bar against the handle (A of Figure 14).
2. Pull the recoil-start handle lightly until you feel resistance, then pull it sharply, and allow it to return to the rope guide on the handle slowly (B of Figure 14).

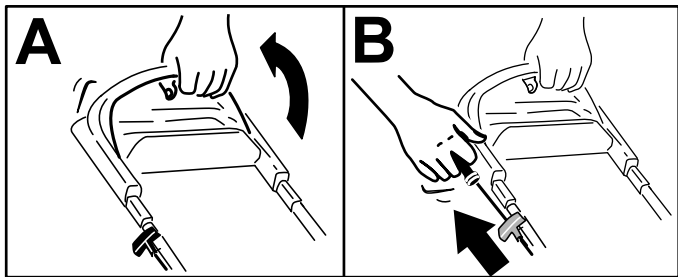


Figure 14

g230459

**Note:** If the machine does not start after several attempts, contact an Authorized Service Dealer.

## Using the Self-Propel Drive

To operate the self-propel drive, simply walk with your hands on the upper handle and your elbows at your sides, and the machine will automatically keep pace with you (Figure 15).

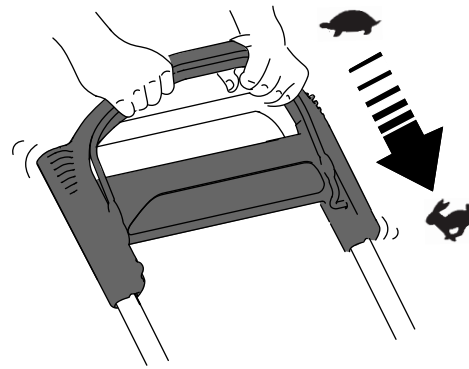


Figure 15

g233423

**Note:** If the machine does not freely roll backward after self-propelling, stop walking, hold your hands in place, and allow the machine to roll a couple of centimeters (inches) forward to disengage the wheel drive. You can also try reaching just under the upper handle to the metal handle and pushing the machine forward a couple of centimeters (inches). If the machine still does not roll backward easily, contact an Authorized Service Dealer.

## Shutting Off the Engine

**Service Interval:** Before each use or daily

To shut off the engine, release the blade-control bar.

**Important:** When you release the blade-control bar, both the engine and blade should stop within 3 seconds. If they do not stop properly, stop using your machine immediately and contact an Authorized Service Dealer.

## Bagging the Clippings

Use the grass bag when you want to collect grass and leaf clippings from the lawn.

If the bag-on-demand lever is in the recycling position, move it to the bagging position; refer to [Operating the Bag-on-Demand Lever \(page 11\)](#).

## Installing the Grass Bag

1. Raise and hold up the rear deflector (A of [Figure 16](#)).
2. Install the grass bag, ensuring that the pins on the bag rest in the notches on the handle (B of [Figure 16](#)).
3. Lower the rear deflector.

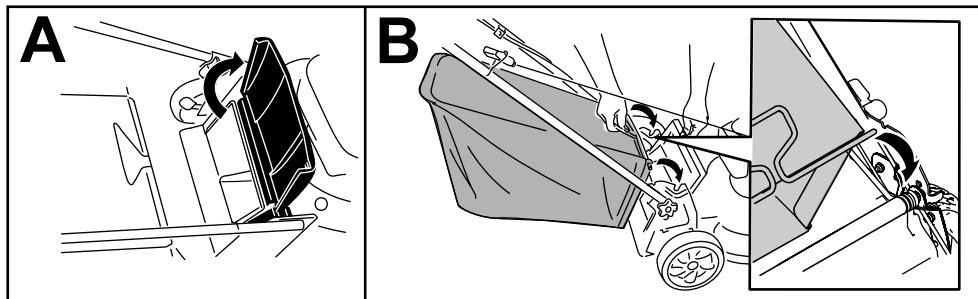


Figure 16

g233434

## Removing the Grass Bag

To remove the bag, reverse the steps in [Installing the Grass Bag \(page 11\)](#).

## Operating the Bag-on-Demand Lever

The bag-on-demand feature allows you to either collect or recycle grass and leaf clippings while the grass bag is attached to the machine.

- **To bag the grass and leaf clippings**, press the button on the bag-on-demand lever and move the lever forward until the button on the lever pops up ([Figure 17](#)).

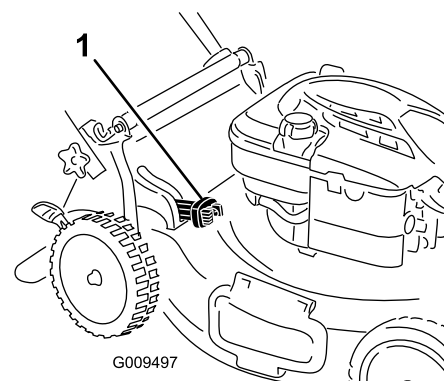


Figure 17

G009497

g009497

1. Bag-on-demand lever (in the bagging position)

- **To recycle or side-discharge the grass and leaf clippings**, press the button on the lever and

move the lever rearward until the button on the lever pops up.

**Important:** For proper operation, shut off the engine, wait for all moving parts to stop, and then remove any grass clippings and debris from the bag-on-demand door and the surrounding opening (Figure 18) before you move the bag-on-demand lever from 1 position to another.

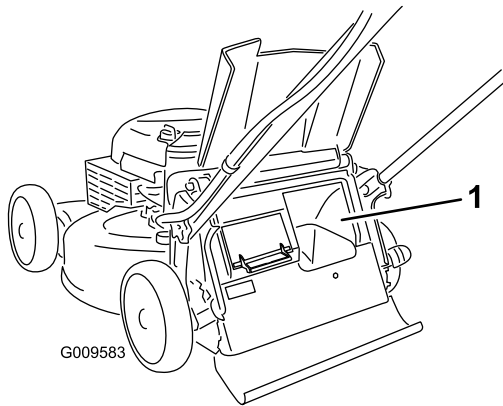


Figure 18

G009583

1. Clean here

## Rear-Discharging the Clippings

Use the rear discharge for cutting very tall grass.

**Note:** If the grass bag is on the machine, remove it before rear-discharging the clippings; refer to [Removing the Grass Bag \(page 11\)](#). The bag-on-demand lever should be in the BAGGING position as shown in [Figure 16](#).

### **▲ WARNING**

**The blade is sharp; contacting the blade can result in serious personal injury.**

**Shut off the engine and wait for all moving parts to stop before leaving the operating position.**

## Operating Tips

### General Mowing Tips

- Inspect the area where you will use the machine and remove all objects that the machine could throw.
- Avoid striking solid objects with the blade. Never deliberately mow over any object.
- If the machine strikes an object or starts to vibrate, immediately shut off the engine, remove the key (if equipped), disconnect the wire from the spark plug, and examine the machine for damage.
- For best performance, install a new blade before the cutting season begins.
- Replace the blade when necessary with a Toro replacement blade.

### Cutting Grass

- Cut only about a third of the grass blade at a time. Do not cut below 51 mm (2 inches) unless the grass is sparse or it is late fall when grass growth begins to slow down.
- When cutting grass over 15 cm (6 inches) tall, mow at the highest cutting height setting and walk slower; then mow again at a lower setting for the best lawn appearance. If the grass is too long, the machine may plug and cause the engine to stall.
- Wet grass and leaves tend to clump on the yard and can cause the machine to plug or the engine to stall. Avoid mowing in wet conditions.
- Be aware of a potential fire hazard in very dry conditions, follow all local fire warnings, and keep the machine free of dry grass and leaf debris.
- Alternate the mowing direction. This helps disperse the clippings over the lawn for even fertilization.
- If the finished lawn appearance is unsatisfactory, try 1 or more of the following:
  - Replace the blade or have it sharpened.
  - Walk at a slower pace while mowing.
  - Raise the cutting height on your machine.
  - Cut the grass more frequently.
  - Overlap cutting swaths instead of cutting a full swath with each pass.

### Cutting Leaves

- After cutting the lawn, ensure that half of the lawn shows through the cut leaf cover. You may need to make more than a single pass over the leaves.

- If there are more than 13 cm (5 inches) of leaves on the lawn, mow at a higher cutting height and then again at the desired cutting height.
- Slow down your mowing speed if the machine does not cut the leaves finely enough.

## After Operation

## After Operation Safety

### General Safety

- Always shut off the machine, wait for all moving parts to stop, and allow the machine to cool before adjusting, servicing, cleaning, or storing it.
- Clean grass and debris from the machine to help prevent fires. Clean up oil or fuel spills.
- Never store the machine or fuel container where there is an open flame, spark, or pilot light, such as on a water heater or on other appliances.

### Hauling Safety

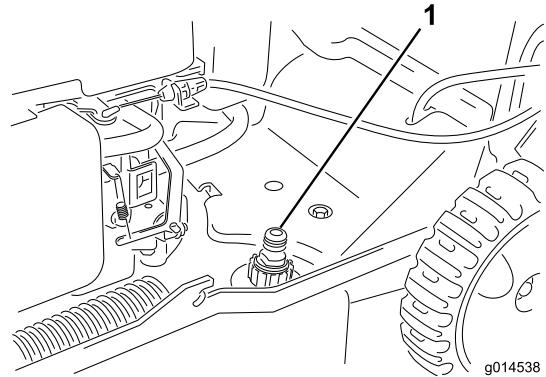
- Use care when loading or unloading the machine.
- Secure the machine from rolling.

## Cleaning under the Machine

**Service Interval:** Before each use or daily

For best results, clean the machine soon after you have completed mowing.

1. Lower the machine to the lowest cutting-height setting. Refer to [Adjusting the Cutting Height](#) (page 9).
2. Move the machine onto a level surface.
3. Attach a garden hose that is connected to a water supply to the washout port ([Figure 19](#)).



**Figure 19**

1. Washout port

4. Turn the water on.
5. Start the engine and run it until there are no more clippings that come out from under the machine.
6. Shut off the engine.
7. Shut off the water and disconnect the garden hose from the machine.
8. Start the engine and run it for a few minutes to dry the underside of the machine.
9. Shut off the engine and allow it to cool.

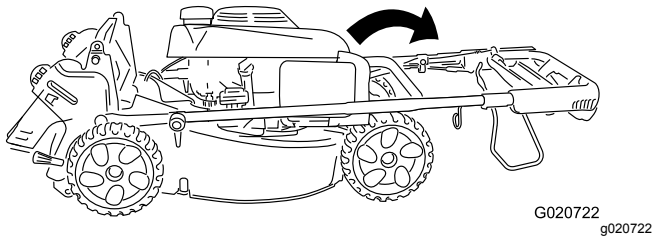
# Folding the Handle

## **⚠ WARNING**

Folding or unfolding the handle improperly can damage the cables, causing an unsafe operating condition.

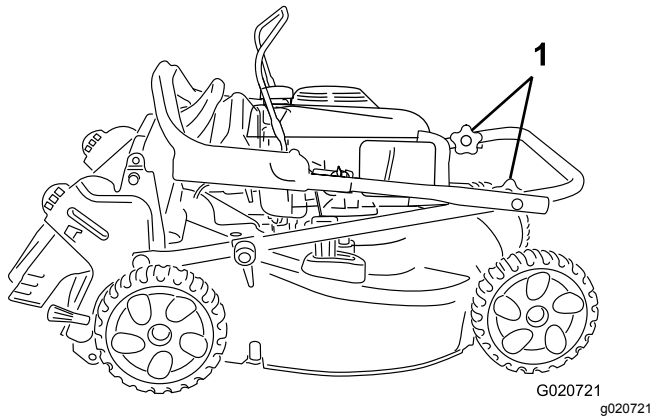
- Do not damage the cables when folding or unfolding the handle.
  - If a cable is damaged, contact an Authorized Service Dealer.
1. Loosen the handle knobs.
  2. Rotate the entire handle forward (Figure 20).

**Important:** Route the cables to the outside of the handle knobs as you fold the upper handle.



**Figure 20**

3. Rotate the upper portion of the handle back toward the engine; refer to Figure 21.



**Figure 21**

1. Handle knobs

# Maintenance

## Recommended Maintenance Schedule(s)

Maintenance Service Interval	Maintenance Procedure
After the first 5 hours	<ul style="list-style-type: none"><li>• Change the engine oil.</li></ul>
Before each use or daily	<ul style="list-style-type: none"><li>• Check the engine-oil level and add oil as needed.</li><li>• Ensure that the engine shuts off within 3 seconds after releasing the blade-control bar.</li><li>• Clean grass clippings and dirt from under the machine.</li></ul>
Every 100 hours	<ul style="list-style-type: none"><li>• Service the spark plug.</li></ul>
Yearly	<ul style="list-style-type: none"><li>• Service the air filter.</li><li>• Change the engine oil.</li><li>• Replace the blade or have it sharpened (more frequently if the edge dulls quickly).</li><li>• Clean the engine by removing dirt and debris from its top and sides; clean it more frequently in dusty operating conditions.</li></ul>
Yearly or before storage	<ul style="list-style-type: none"><li>• Empty the fuel tank before repairs as directed and before yearly storage.</li></ul>

## Maintenance Safety

- Disconnect the spark-plug wire from the spark plug before performing any maintenance procedure.
- Wear gloves and eye protection when servicing the machine.
- The blade is sharp; contacting the blade can result in serious personal injury. Wear gloves when servicing the blade. Do not repair or alter the blade(s).
- Never tamper with safety devices. Check their proper operation regularly.
- Tipping the machine may cause the fuel to leak. Fuel is flammable and explosive, and can cause personal injury. Run the engine dry or remove the fuel with a hand pump; never siphon the fuel.
- To ensure optimum performance of the machine, use only genuine Toro replacement parts and accessories. Replacement parts and accessories made by other manufacturers could be dangerous, and such use could void the product warranty.

## Preparing for Maintenance

1. Shut off the engine and wait for all moving parts to stop.
2. Disconnect the spark-plug wire from the spark plug (Figure 22).

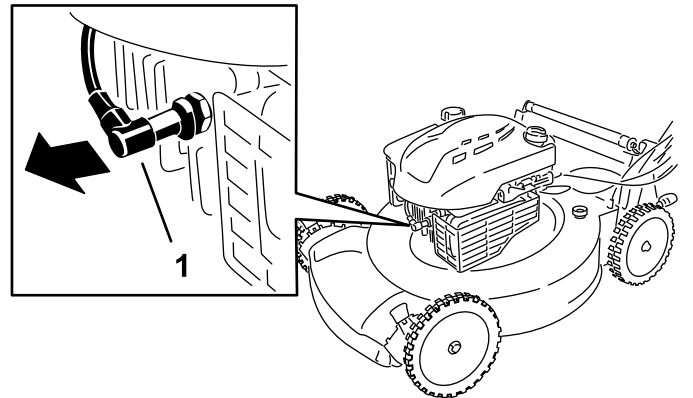


Figure 22

g236094

1. Spark-plug wire
3. After performing the maintenance procedure(s), connect the spark-plug wire to the spark plug.

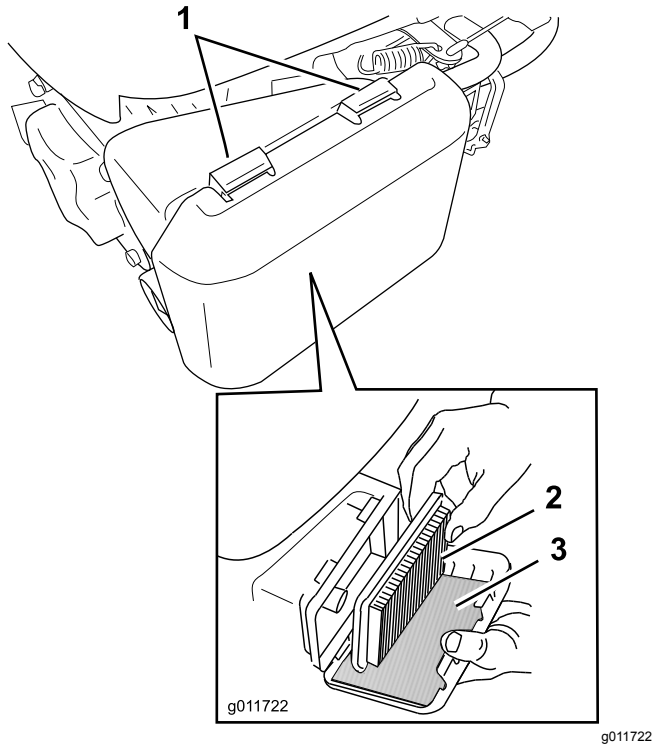
**Important:** Before tipping the machine to change the oil or replace the blade, allow the fuel tank to run dry through normal usage. If you must tip the machine prior to running out of fuel, use a hand fuel pump to remove the fuel. Always tip the machine onto its side, with the dipstick down.



# Servicing the Air Filter

**Service Interval:** Yearly

1. Press down on the latch tabs on top of the air-filter cover (Figure 23).



**Figure 23**

1. Latch tabs
  2. Paper air filter
  3. Foam pre-filter
- 
2. Open the cover.
  3. Remove the paper air filter and the foam pre-filter (Figure 23).
  4. Inspect the foam pre-filter, and replace it if it is damaged or excessively dirty.
  5. Inspect the paper air filter.
    - If the air filter is damaged or is wet with oil or fuel, replace it.
    - If the air filter is dirty, tap it on a hard surface several times or blow compressed air less than 207 kPa (30 psi) through the side of the filter that faces the engine.
- Note:** Do not brush the dirt off the filter; brushing forces dirt into the fibers.
6. Remove the dirt from the air-filter body and the cover using a moist rag.
- Important:** Do not wipe dirt into the air duct.
7. Install the foam pre-filter and the paper air filter into the air filter.
  8. Install the cover.

# Changing the Engine Oil

**Service Interval:** After the first 5 hours

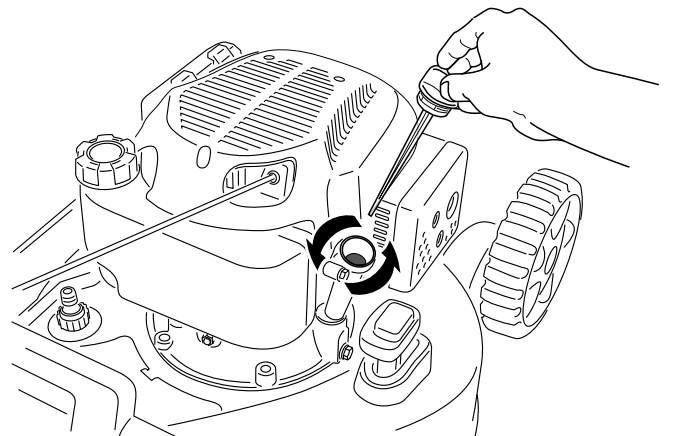
Yearly

**Note:** Run the engine a few minutes before changing the oil to warm it. Warm oil flows better and carries more contaminants.

## Engine Oil Specifications

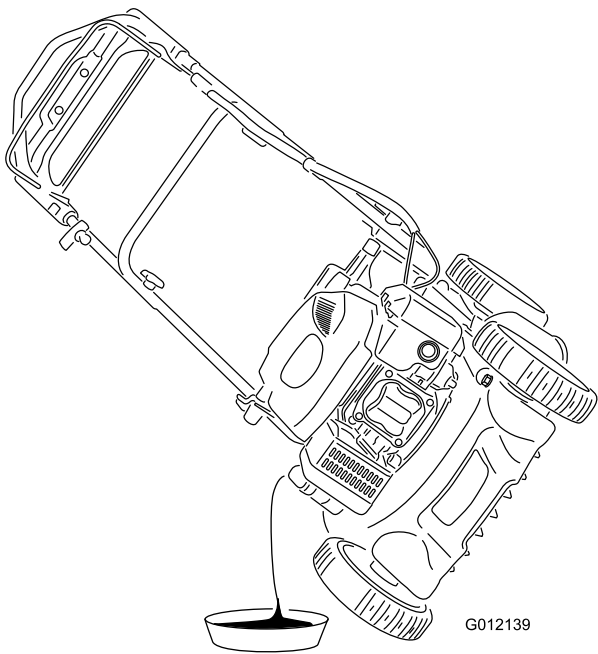
<b>Engine oil capacity</b>	0.55 L (18.6 fl oz)
<b>Oil viscosity</b>	SAE 30 or SAE 10W-30 detergent oil
<b>API service classification</b>	SJ or higher

1. Move the machine to a level surface.
2. Refer to [Preparing for Maintenance \(page 15\)](#).
3. Remove the dipstick by rotating the cap counterclockwise and pulling it out (Figure 24).



**Figure 24**

- 
4. Tip the machine onto its side (so that the air filter is up) to drain the used oil from the oil-fill tube (Figure 24).



**Figure 25**

g012139

# Servicing the Spark Plug

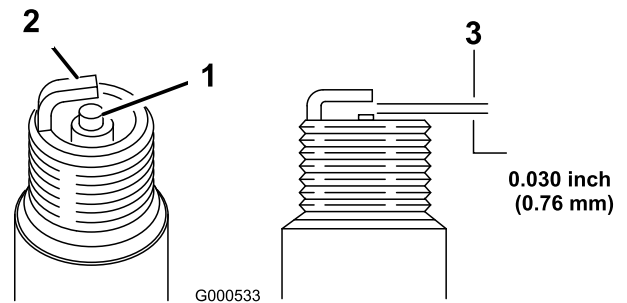
**Service Interval:** Every 100 hours

Use a **Champion RL87YC** spark plug or equivalent.

1. Shut off the engine and wait for all moving parts to stop.
2. Disconnect the wire from the spark plug ([Figure 22](#)).
3. Clean around the spark plug.
4. Remove the spark plug from the cylinder head.

**Important:** Replace a cracked, fouled, or dirty spark plug. Do not clean the electrodes because grit entering the cylinder can damage the engine.

5. Set the gap on the plug to 0.76 mm (0.030 inch) as shown in [Figure 26](#).



**Figure 26**

g000533

1. Center electrode insulator
2. Side electrode
3. Air gap (not to scale)

5. After draining the used oil, return the machine to the operating position.
6. Carefully pour about 3/4 of the engine capacity of oil into the oil-fill tube.
7. Wait 3 minutes for the oil to settle in the engine.
8. Wipe the dipstick clean with a clean cloth.
9. Insert the dipstick into the oil-fill tube, **but do not screw it in**, then remove the dipstick.
10. Read the oil level on the dipstick ( [Checking the Engine-Oil Level \(page 8\)](#)).
  - If the oil level on the dipstick is too low, carefully pour a small amount of oil into the oil-fill tube, wait 3 minutes, and repeat steps [8](#) through [10](#) until the oil level on the dipstick is correct.
  - If the oil level on the dipstick is too high, drain the excess oil until the oil level on the dipstick is correct.
11. Install the dipstick into the oil-fill tube securely.
12. Recycle the used oil properly.

**Important:** If the oil level in the engine is too low or too high and you run the engine, you may damage the engine.

6. Install the spark plug.
7. Torque the plug to 20 N·m (15 ft-lb).
8. Connect the wire to the spark plug.

# Replacing the Blade

Service Interval: Yearly

**Important:** You will need a torque wrench to install the blade properly. If you do not have a torque wrench or are uncomfortable performing this procedure, contact an Authorized Service Dealer.

Examine the blade whenever you run out of fuel. If the blade is damaged or cracked, replace it immediately. If the blade edge is dull or nicked, have it sharpened and balanced, or replace it.

## **⚠ WARNING**

The blade is sharp; contacting the blade can result in serious personal injury.

Wear gloves when servicing the blade.

1. Refer to [Preparing for Maintenance \(page 15\)](#).
2. Tip the machine onto its side with the air filter up.
3. Use a block of wood to hold the blade steady ([Figure 27](#)).

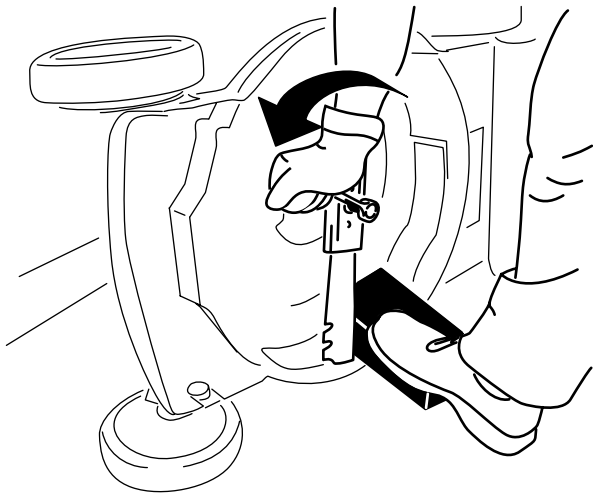


Figure 27

g231389

4. Remove the blade, saving all mounting hardware ([Figure 27](#)).
5. Install the new blade and all mounting hardware ([Figure 28](#)).

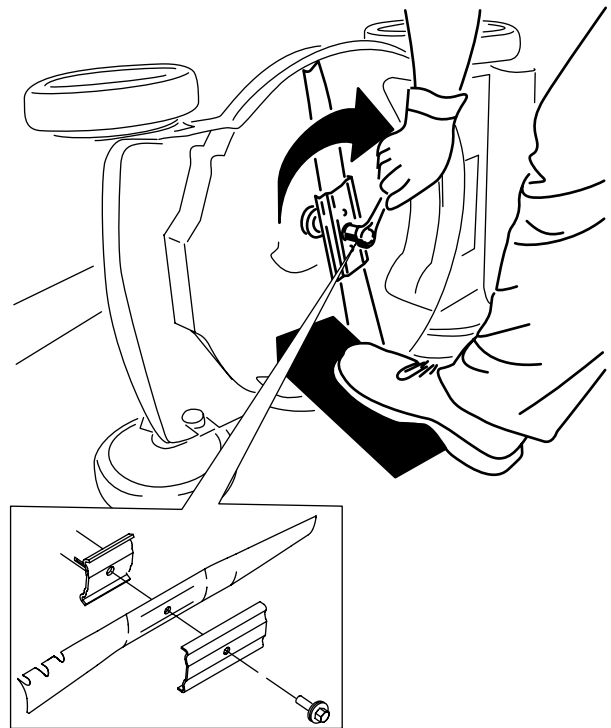


Figure 28

g231390

**Important:** Position the curved ends of the blade to point toward the machine housing.

6. Use a torque wrench to tighten the blade bolt to 82 N·m (60 ft-lb).

**Important:** A bolt torqued to 82 N·m (60 ft-lb) is very tight. While holding the blade with a block of wood, put your weight behind the ratchet or wrench and tighten the bolt securely. This bolt is very difficult to overtighten.

# Adjusting the Self-Propel Drive

## For Self-Propel-Drive Models Only

Whenever you install a new self-propel cable or if the self-propel drive is out of adjustment, adjust the self-propel drive.

1. Turn the adjustment nut counterclockwise to loosen the cable adjustment (Figure 29).

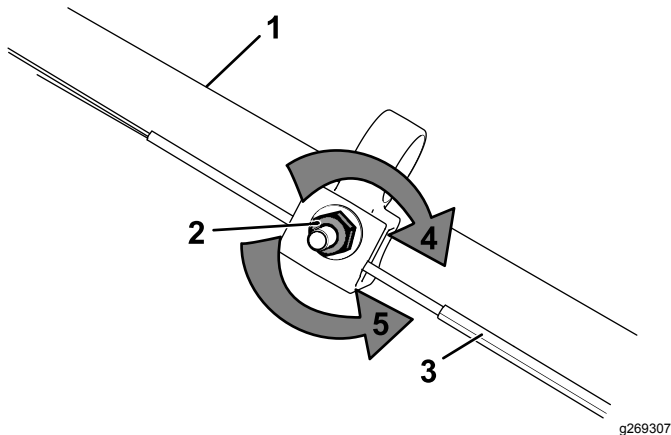


Figure 29

- |                            |  |
|----------------------------|--|
| 1. Handle (left side)      | 4. Turn the nut clockwise to tighten the adjustment.       |
| 2. Adjustment nut          | 5. Turn the nut counterclockwise to loosen the adjustment. |
| 3. Self-propel-drive cable |  |

2. Adjust the tension on the cable (Figure 29) by pulling it back or pushing it forward and holding that position.

**Note:** Push the cable toward the engine to increase the traction; pull the cable away from the engine to decrease the traction.

3. Turn the adjustment nut clockwise to tighten the cable adjustment.

**Note:** Tighten the nut firmly with a socket or wrench.

# Storage

Store the machine in a cool, clean, dry place.

## Storage Safety

Always shut off the machine, wait for all moving parts to stop, and allow the machine to cool before adjusting, servicing, cleaning, or storing it.

## Preparing the Machine for Storage

1. On the last refueling of the year, add fuel stabilizer (such as Toro Premium Fuel Treatment) to the fuel as directed on the label.
2. Dispose of any unused fuel properly. Recycle it according to local codes or use it in your automobile.

**Important:** Old fuel in the fuel tank is the leading cause of hard starting. Do not store the fuel without fuel stabilizer more than 30 days, and do not store stabilized fuel beyond the duration recommended by the fuel-stabilizer manufacturer.

3. Run the machine until the engine shuts off from running out of fuel.
4. Start the engine again and allow it to run until it shuts off. When you can no longer start the engine, it is sufficiently dry.
5. Disconnect the wire from the spark plug and connect the wire to the retaining post (if equipped).
6. Remove the spark plug, add 30 ml (1 fl oz) of engine oil through the spark-plug hole, and pull the starter rope slowly several times to distribute oil throughout the cylinder to prevent cylinder corrosion during the off-season.
7. Loosely install the spark plug.
8. Tighten all nuts, bolts, and screws.

## Removing the Machine from Storage

1. Check and tighten all fasteners.
2. Remove the spark plug and spin the engine rapidly by pulling the recoil-start handle to blow the excess oil from the cylinder.
3. Install the spark plug and tighten it with a torque wrench to 20 N·m (15 ft·lb).
4. Perform any maintenance procedures; refer to [Maintenance \(page 15\)](#).

5. Check the engine-oil level; refer to [Checking the Engine-Oil Level \(page 8\)](#).
6. Fill the fuel tank with fresh fuel; refer to [Filling the Fuel Tank \(page 8\)](#).
7. Connect the wire to the spark plug.

## EEA/UK Privacy Notice

### **Toro's Use of Your Personal Information**

The Toro Company ("Toro") respects your privacy. When you purchase our products, we may collect certain personal information about you, either directly from you or through your local Toro company or dealer. Toro uses this information to fulfil contractual obligations - such as to register your warranty, process your warranty claim or to contact you in the event of a product recall - and for legitimate business purposes - such as to gauge customer satisfaction, improve our products or provide you with product information which may be of interest. Toro may share your information with our subsidiaries, affiliates, dealers or other business partners in connection these activities. We may also disclose personal information when required by law or in connection with the sale, purchase or merger of a business. We will never sell your personal information to any other company for marketing purposes.

### **Retention of your Personal Information**

Toro will keep your personal information as long as it is relevant for the above purposes and in accordance with legal requirements. For more information about applicable retention periods please contact [legal@toro.com](mailto:legal@toro.com).

### **Toro's Commitment to Security**

Your personal information may be processed in the US or another country which may have less strict data protection laws than your country of residence. Whenever we transfer your information outside of your country of residence, we will take legally required steps to ensure that appropriate safeguards are in place to protect your information and to make sure it is treated securely.

### **Access and Correction**

You may have the right to correct or review your personal data, or object to or restrict the processing of your data. To do so, please contact us by email at [legal@toro.com](mailto:legal@toro.com). If you have concerns about the way in which Toro has handled your information, we encourage you to raise this directly with us. Please note that European residents have the right to complain to your Data Protection Authority.



**Count on it.**



# 48 cm Super Recycler® Rasenmäher

Modellnr. 21681—Seriennr. 40000000 und höher

## Bedienungsanleitung

## Einführung

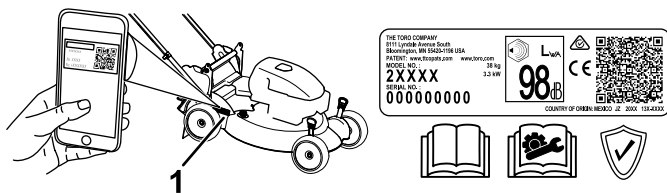
Dieser handgeführte Rasenmäher mit Sichelmessern sollte von Privatleuten oder geschulten Lohnarbeitern verwendet werden. Er ist hauptsächlich für das Mähen von Gras auf gepflegten Grünflächen in Privatanlagen gedacht.

Lesen Sie diese Informationen sorgfältig durch, um sich mit dem ordnungsgemäßen Einsatz und der Wartung des Geräts vertraut zu machen und Verletzungen und eine Beschädigung des Geräts zu vermeiden. Sie tragen die Verantwortung für einen ordnungsgemäßen und sicheren Einsatz des Geräts.

Besuchen Sie [Toro.com](http://Toro.com) für weitere Informationen, einschließlich Sicherheitstipps, Schulungsunterlagen, Zubehörinformationen, Standort eines Händlers, oder Registrierung Ihres Produkts.

Wenden Sie sich an den Toro-Vertragshändler oder Kundendienst, wenn Sie eine Serviceleistung, Originalersatzteile von Toro oder weitere Informationen benötigen. Haben Sie dafür die Modell- und Seriennummern der Maschine griffbereit. In **Bild 1** wird der Standort der Modell- und Seriennummern auf dem Produkt angegeben. Tragen Sie hier die Modell- und Seriennummern des Geräts ein.

**Wichtig:** Scannen Sie mit Ihrem Mobilgerät den QR-Code auf dem Seriennummernaufkleber (falls vorhanden), um auf Garantie-, Ersatzteil- oder andere Produktinformationen zuzugreifen.



**Bild 1**

g283331

1. Typenschild mit Modell- und Seriennummer

Modellnr. _____
Seriennr. _____

In dieser Anleitung werden potenzielle Gefahren angeführt, und Sicherheitsmeldungen werden vom

Sicherheitswarnsymbol (**Bild 2**) gekennzeichnet, das auf eine Gefahr hinweist, die zu schweren oder tödlichen Verletzungen führen kann, wenn Sie die empfohlenen Sicherheitsvorkehrungen nicht einhalten.



**Bild 2**

Sicherheitswarnsymbol

g000502

In dieser Anleitung werden zwei Begriffe zur Hervorhebung von Informationen verwendet. **Wichtig** weist auf spezielle mechanische Informationen hin, und **Hinweis** hebt allgemeine Informationen hervor, die Ihre besondere Beachtung verdienen.

Dieses Produkt erfüllt alle relevanten europäischen Richtlinien; weitere Details finden Sie in der produktspezifischen Konformitätserklärung (DOC).

**Brutto- oder Nettodrehmoment:** Das Brutto- oder Nettodrehmoment dieses Motors wurde vom Motorhersteller im Labor gemäß SAE J1940 oder J2723 ermittelt. Aufgrund der Konfiguration zur Erfüllung von Sicherheits-, Emissions- und Betriebsanforderungen ist die tatsächliche Motorleistung in dieser Klasse der Rasenmäher wesentlich niedriger. Weitere Informationen finden Sie in der Motorbedienungsanleitung des Herstellers, die mit der Maschine ausgeliefert wurde.

Manipulieren oder deaktivieren Sie keine Sicherheitsvorrichtungen an der Maschine und prüfen Sie die einwandfreie Funktion in regelmäßigen Abständen. Modifizieren oder manipulieren Sie nicht die Bedienelemente für die Motordrehzahl, da dies zu unsicheren Einsatzbedingungen und Verletzungen führen kann.

**Wichtig:** Soll die Maschine in einer Höhe von über 1.500 m dauerhaft eingesetzt werden, muss zuvor das Kit für Höhenlagen nachgerüstet werden. Damit die Maschine den Emissionsvorschriften von CARB/EPA entspricht. Das Kit für Höhenlagen steigert die Leistung des Motors und verhindert zugleich Zündkerzenverschmutzung, Startschwierigkeiten und erhöhte Emissionen. Nach dem Einbau des





**Kits muss die Kennzeichnung für Höhenlagen neben dem Typenschild an der Maschine angebracht werden. Wenden Sie sich an ein autorisiertes Toro Vertragshändler, um das entsprechende Kit für Höhenlagen und die dazugehörige Kennzeichnung zu erhalten. Den Ihnen nächstgelegenen Vertragshändler finden Sie auf unserer Website unter [www.Toro.com](http://www.Toro.com) oder wenden Sie sich an unseren Toro Kundendienst unter eine der in der Aussage zur Garantie hinsichtlich der Motoremissionskontrolle aufgeführten Telefonnummern.**

**Soll die Maschine wieder unter 1.500 m Höhenmeter eingesetzt werden, bauen Sie das Kit wieder vom Motor ab und stellen Sie die ursprünglichen werksseitigen Einstellungen wieder her. Nutzen Sie keinen Motor, der für große Höhenlagen umgebaut wurde, in niedrigen Höhenlagen, dies kann zur Überhitzung und zur Beschädigung des Motors führen.**

**Sind Sie sich nicht sicher, ob Ihre Maschine für große Höhenlagen umgebaut wurde, achten Sie auf die folgende Kennzeichnung:**

NOTE: THE ENGINE ON THIS PRODUCT HAS BEEN MODIFIED FOR USE AT ABOVE 5,000 FEET ELEVATION. IF USING BELOW 5,000 FEET, IT MUST BE REVISED BACK TO ORIGINAL SPECIFICATIONS.

127-9363

decal127-9363

Hinweise zur Sicherheit während des Betriebs.....	11
Anlassen des Motors .....	12
Verwenden des Selbstantriebs .....	12
Abstellen des Motors .....	12
Schnittgutrecyclen .....	13
Sammeln des Schnittguts .....	13
Verwenden des Hebels für den zuschaltbaren Fangkorb .....	14
Heckauswurf des Schnittguts .....	14
Betriebshinweise .....	15
Nach dem Einsatz .....	15
Hinweise zur Sicherheit nach dem Betrieb .....	15
Reinigen unter dem Gerät.....	16
Zusammenklappen des Holms .....	16
Wartung .....	17
Empfohlener Wartungsplan .....	17
Wartungssicherheit.....	17
Vorbereiten für die Wartung .....	17
Warten des Luftfilters .....	18
Wechseln des Motoröls .....	18
Warten der Zündkerze .....	19
Auswechseln des Messers .....	20
Einstellen des Selbstantriebs.....	21
Einlagerung .....	21
Sicherheit bei der Einlagerung .....	21
Vorbereiten der Maschine für die Einlagerung.....	21
Herausnehmen des Rasenmähers aus der Einlagerung.....	22

## Inhalt

Einführung .....	1
Sicherheit .....	2
Allgemeine Sicherheit.....	2
Sicherheits- und Bedienungsschilder .....	3
Einrichtung .....	5
1 Aufklappen des Holms .....	5
2 Befestigen des Rücklaufstarterseils in der Seilführung.....	6
3 Auffüllen des Kurbelgehäuses mit Öl .....	6
4 Montieren des Fangkorbs .....	7
Produktübersicht .....	8
Technische Daten .....	8
Betrieb .....	8
Vor dem Einsatz .....	8
Vor der sicheren Verwendung .....	8
Betanken .....	9
Prüfen des Motorölstands.....	10
Einstellen der Holmhöhe.....	10
Einstellen der Schnitthöhe .....	11
Während des Einsatzes .....	11

## Sicherheit

Diese Maschine erfüllt EN ISO 5395.

### Allgemeine Sicherheit


Dieses Produkt kann Hände und Füße amputieren und Gegenstände aufschleudern. Befolgen immer sämtliche Sicherheitshinweise, um schwere oder tödliche Verletzungen zu vermeiden.

Wenn dieses Produkt für einen anderen Zweck eingesetzt wird, kann das für Bediener und andere Personen gefährlich sein.

- Lesen, verstehen und befolgen Sie vor dem Anlassen des Motors alle Anweisungen und Warnungen in der *Bedienungsanleitung* und an der Maschine.
- Berühren Sie bewegliche Teile oder die Unterseite der Maschine nicht mit den Händen oder Füßen. Kommen Sie Auswurföffnungen nicht zu nahe.
- Bedienen Sie die Maschine niemals, wenn nicht alle Schutzvorrichtungen und Abdeckungen angebracht und funktionstüchtig sind.

- Halten Sie Unbeteiligte, insbesondere Kinder, aus dem Arbeitsbereich fern. Das Fahrzeug darf niemals von Kindern betrieben werden. Nur verantwortungsbewusste Personen, die geschult und mit den Anweisungen vertraut sind und körperlich fähig sind, sollten die Maschine verwenden.
- Halten Sie die Maschine an, stellen Sie den Motor ab und warten Sie, bis alle beweglichen Teile zum Stillstand gekommen sind, bevor Sie

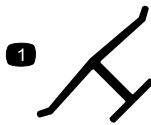
Wartungsarbeiten durchführen, Auftanken oder Verstopfungen entfernen.

Der unsachgemäße Einsatz oder die falsche Wartung dieser Maschine kann zu Verletzungen führen. Halten Sie diese Sicherheitsanweisungen ein, um das Verletzungsrisiko zu verringern. Achten Sie immer auf das Sicherheitswarnsymbol , es bedeutet Vorsicht, Warnung oder Gefahr – „Sicherheitshinweis“. Wenn Sie diese Anweisungen nicht einhalten, kann es zu Verletzungen ggf. tödlichen Verletzungen kommen.

## Sicherheits- und Bedienungsschilder



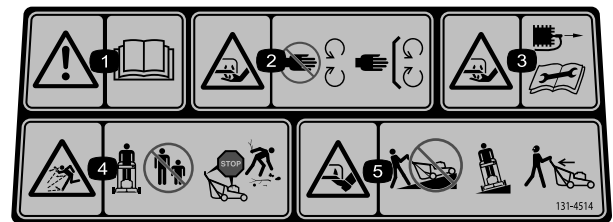
Die Sicherheits- und Bedienungsaufkleber sind gut sichtbar; sie befinden sich in der Nähe der möglichen Gefahrenbereiche. Tauschen Sie beschädigte oder verloren gegangene Aufkleber aus.



Herstellermarke

decaloemmarkt

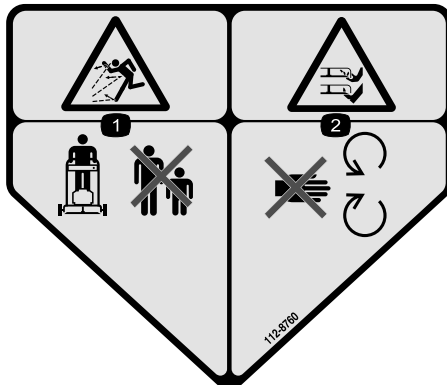
1. Diese Marke gibt an, dass das Messer ein Teil des Herstellers der Originalmaschine ist.



decal131-4514

131-4514

1. Warnung: Lesen Sie die *Bedienungsanleitung*.
2. Schnitt- bzw. Amputationsgefahr für Hände am Mähwerkmesser: Berühren Sie keine beweglichen Teile und nehmen Sie keine Schutzbleche und Schutzvorrichtungen ab.
3. Schnitt- bzw. Amputationsgefahr für Hände durch Mähwerkmesser: Stecken Sie das Zündkerzenkabel aus, bevor Sie Wartungsarbeiten durchführen.
4. Gefahr durch ausgeworfene Gegenstände: Halten Sie Unbeteiligte fern.
5. Schnitt- bzw. Amputationsgefahr von Füßen durch Mähwerkmesser: Mähen Sie nie hangaufwärts oder -abwärts, mähen Sie immer horizontal zum Hang. Stellen Sie den Motor ab, bevor Sie die Maschine verlassen. Sammeln Sie vor Beginn der Mäharbeiten Schutt und Geröll auf. Schauen Sie nach hinten, wenn Sie rückwärtsfahren.



112-8760

decal112-8760

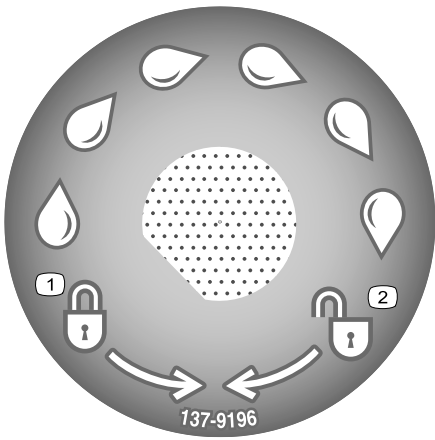
1. Gefahr durch ausgeworfene Gegenstände: Halten Sie Unbeteiligte fern.
2. Gefahr einer Schnittwunde und/oder der Amputation von Händen oder Füßen durch Mähwerkmesser: Berühren Sie keine beweglichen Teile.



119-2283

decal119-2283

1. Schnitthöhe



decal137-9196

**137-9196**

1. Einrasten

2. Ausrasten

# Einrichtung

**Wichtig:** Nehmen Sie den Kunststoffschutz ab und alle anderen Kunststoffteile oder Verpackungen ab, mit denen der Motor abgedeckt ist. Werfen Sie sie ab.

**1**

## Aufklappen des Holms

Keine Teile werden benötigt

### Verfahren

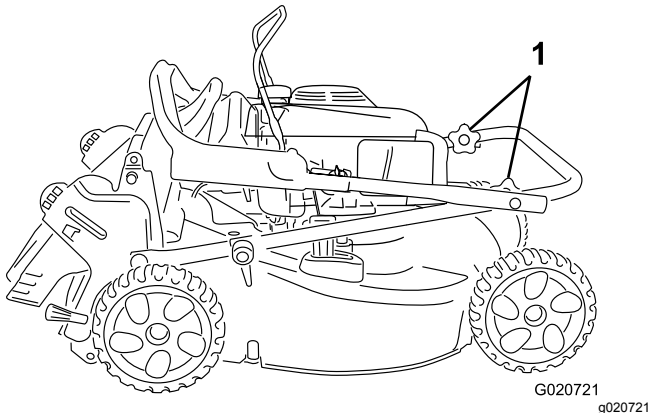
#### ⚠️ WARNUNG:

Wenn Sie den Holm falsch auf- oder zusammenklappen, können Sie die Bowdenzüge beschädigen und den sicheren Geräteinsatz gefährden.

- Beschädigen Sie beim Auf- oder Zusammenklappen des Holms nicht die Kabel.
- Wenden Sie sich bei einem beschädigten Kabel an einen offiziellen Vertragshändler.

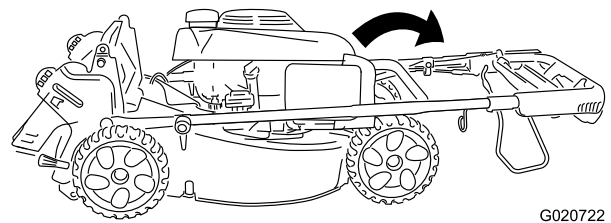
**Wichtig:** Nehmen Sie den Kunststoffschutz ab und alle anderen Kunststoffteile oder Verpackungen ab, mit denen der Motor abgedeckt ist. Entsorgen Sie sie.

1. Lösen Sie die Griffhandräder (Bild 4).



**Bild 4**

1. Griffhandräder



**Bild 5**

3. Ziehen Sie die Griffhandräder mit der Hand fest.
4. Drehen Sie den Bügel nach hinten in die Betriebsstellung und arretieren Sie ihn in der gewünschten Höhe. Siehe [Einstellen der Holmhöhe \(Seite 10\)](#).

# 2

## Befestigen des Rücklaufstarterseils in der Seilführung

Keine Teile werden benötigt

### Verfahren

**Wichtig:** Befestigen Sie das Rücklaufstarterseil in der Seilführung, um den Motor sicher und mühelos anzulassen.

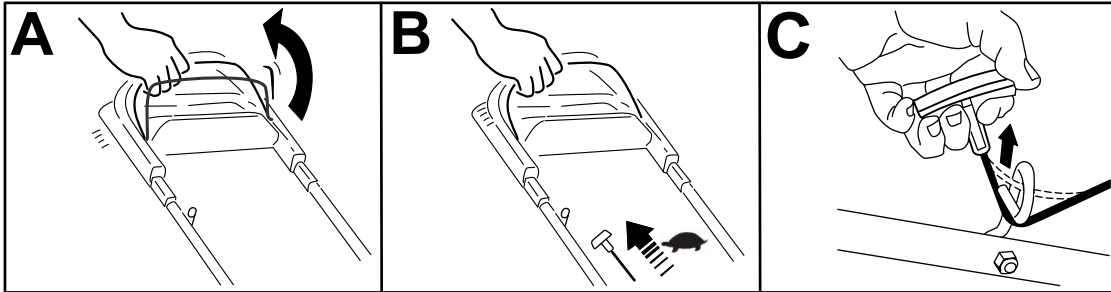


Bild 6

g230719

# 3

## Auffüllen des Kurbelgehäuses mit Öl

Keine Teile werden benötigt

### Verfahren

**Wichtig:** Wenn der Ölstand im Kurbelgehäuse zu hoch oder zu niedrig ist, und Sie den Motor laufen lassen, können Motorschäden auftreten.

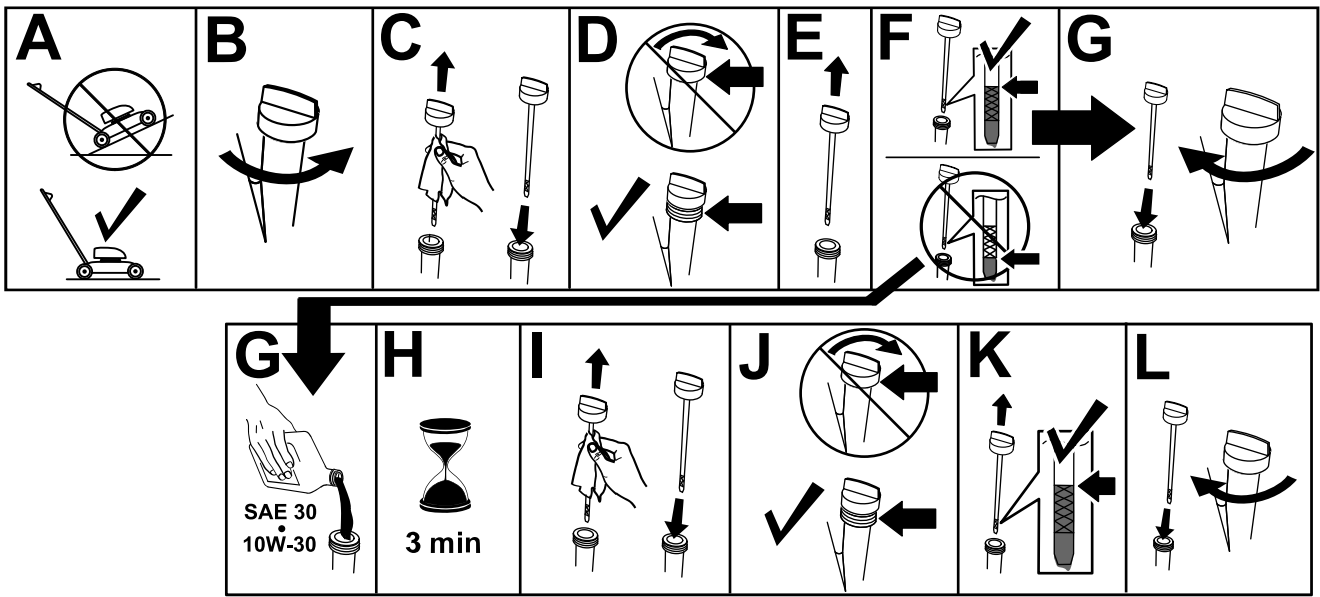


Bild 7

g235721

# 4

## Montieren des Fangkorbs

Keine Teile werden benötigt

### Verfahren

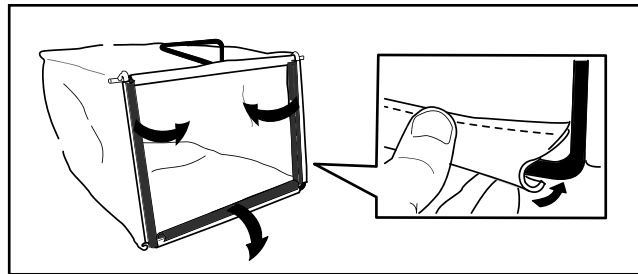
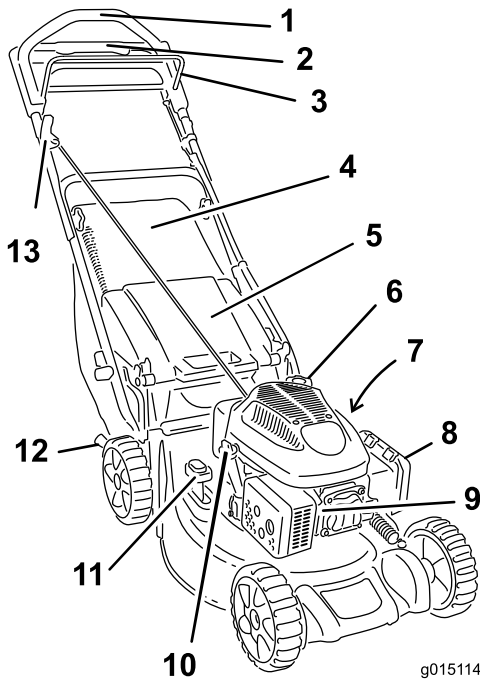


Bild 8

g241560

# Produktübersicht



**Bild 9**

- |  |                                   |
|--|-----------------------------------|
| 1. Oberer Holm                         | 8. Luftfilter                     |
| 2. Antischlupfregelungsgriff           | 9. Zündkerze                      |
| 3. Schaltbügel                         | 10. Öleinfüllstutzen/Peilstab     |
| 4. Fangkorb                            | 11. Zusaltbarer Fangkorb-Hebel    |
| 5. Heckablenkblech                     | 12. Schnitthöheneinstellhebel (2) |
| 6. Tankdeckel                          | 13. Rücklaufstarterbügel          |
| 7. Wasseranschluss (nicht dargestellt) |                                   |

## Technische Daten

Modell	Gewicht	Länge	Breite	Höhe
21681	39 kg (86 lb)	152 cm (60")	53 cm (21")	109 cm (43")

# Betrieb

**Hinweis:** Bestimmen Sie die linke und rechte Seite der Maschine anhand der üblichen Einsatzposition.

## Vor dem Einsatz

## Vor der sicheren Verwendung

### Allgemeine Sicherheit

- Stellen Sie die Maschine ab und warten Sie, bis alle beweglichen Teile zum Stillstand gekommen sind. Lassen Sie die Maschine abkühlen, bevor Sie diese einstellen, reinigen, verstauen, oder reparieren.
- Machen Sie sich mit dem sicheren Einsatz des Geräts, der Bedienelemente und den Sicherheitsaufklebern vertraut.
- Prüfen Sie, ob alle Schutzvorrichtungen und Sicherheitsvorrichtungen, wie z. B. Ablenkleche und/oder Grasfangkörbe montiert sind und richtig funktionieren.
- Überprüfen Sie immer die Maschine und stellen Sie sicher, dass die Schnittmesser und -schrauben nicht abgenutzt oder beschädigt sind.
- Prüfen Sie den Arbeitsbereich der Maschine und entfernen Sie alle Objekte, die sich auf den Einsatz der Maschine auswirken oder von ihr aufgeschleudert werden könnten.
- Der Kontakt mit einem sich drehenden Messers kann es zu schweren Verletzungen führen. Führen Sie Ihre Finger beim Einstellen der Schnitthöhe nie unter das Mähwerk.

### Kraftstoffsicherheit

- Kraftstoff ist extrem leicht entflammbar und hochexplosiv. Feuer und Explosionen durch Kraftstoff können Verbrennungen und Sachschäden verursachen.
  - Stellen Sie den Kanister bzw. die Maschine vor dem Auftanken auf den Boden und nicht auf ein Fahrzeug oder auf ein Objekt, um eine elektrische Ladung durch das Entzünden des Kraftstoffs zu vermeiden.
  - Füllen Sie den Kraftstofftank im Freien auf, wenn der Motor kalt ist. Wischen Sie verschütteten Kraftstoff auf.
  - Rauchen Sie nicht beim Umgang mit Kraftstoff, und gehen Sie nicht in der Nähe von offenem Feuer oder Funken mit Kraftstoff um.

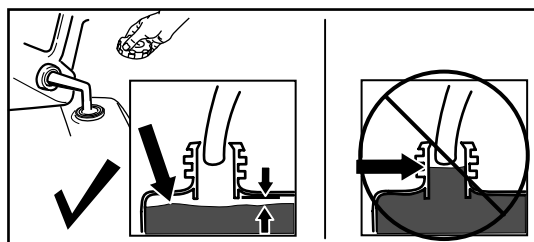


Bild 10

g230458

- Betanken Sie die Maschine nie bei laufendem oder heißem Motor oder entfernen Sie den Tankdeckel.
  - Lassen Sie den Motor nie bei Kraftstoffverschüttungen an. Vermeiden Sie, dass Sie Zündquellen schaffen, bis die Kraftstoffdämpfe verdunstet sind.
  - Bewahren Sie Kraftstoff in vorschriftsmäßigen, für Kinder unzugänglichen Kanistern auf.
- Kraftstoff ist bei Einnahme gesundheitsschädlich oder tödlich. Wenn eine Person langfristig Benzindünsten ausgesetzt ist, kann dies zu schweren Verletzungen und Krankheiten führen.
    - Vermeiden Sie das langfristige Einatmen von Benzindünsten.
    - Halten Sie Ihre Hände und das Gesicht vom Füllstutzen und der Öffnung des Kraftstofftanks fern.
    - Halten Sie Kraftstoff von Augen und der Haut fern.

## Betanken

- Die besten Ergebnisse erhalten Sie, wenn Sie sauberes, frisches, bleifreies Benzin mit einer Mindestoktanzahl von 87 (R+M)/2 verwenden.
- Mit Sauerstoff angereicherter Kraftstoff mit 10 % Ethanol oder 15 % MTBE (Volumenanteil) ist auch geeignet.
- Verwenden Sie **keine** Benzin-Ethanolmischungen (z. B. E15 oder E85) mit mehr als 10 % Ethanol (Volumenanteil). Sonst können Leistungsprobleme und/oder Motorschäden auftreten, die ggf. nicht von der Garantie abgedeckt sind.
- Verwenden Sie **kein** Benzin mit Methanol.
- Lagern Sie **keinen** Kraftstoff im Kraftstofftank oder in Kraftstoffbehältern über den Winter, wenn Sie keinen Kraftstoffstabilisator verwenden.
- Vermischen Sie **nie** Benzin mit Öl.

Füllen Sie den Kraftstofftank mit frischem, bleifreiem Normalbenzin von einer angesehenen Tankstelle ([Bild 10](#)).

**Wichtig:** Geben Sie die Menge des Kraftstoffstabilisators bzw. -konditionierers in den frischen Kraftstoff, wie vom Hersteller des Kraftstoffstabilisators vorgeschrieben, um Startprobleme zu vermeiden.



# Prüfen des Motorölstands

Wartungsintervall: Bei jeder Verwendung oder täglich

**Wichtig:** Wenn der Ölstand im Kurbelgehäuse zu hoch oder zu niedrig ist, und Sie den Motor laufen lassen, können Motorschäden auftreten.

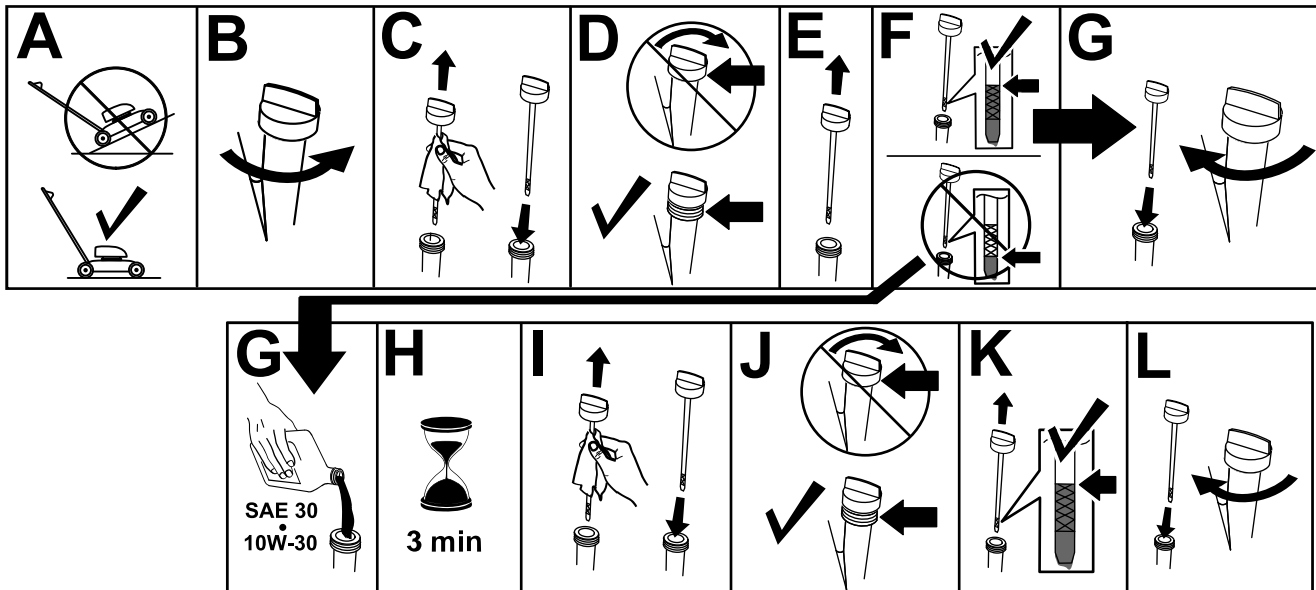


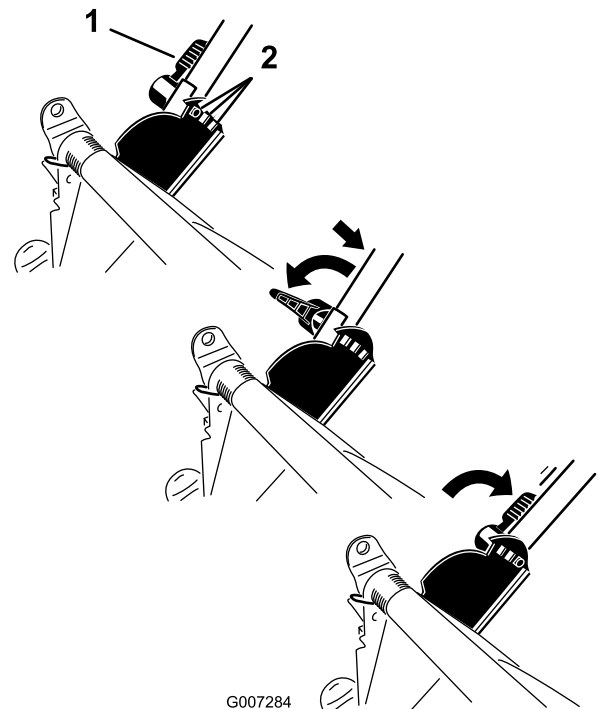
Bild 11

g235721

# Einstellen der Holmhöhe

Sie können den Holm auf eine für Sie passende Höhe anheben oder absenken.

Drehen Sie die Holmarretierung, stellen Sie den Holm in eine der drei Stellungen und arretieren ihn (Bild 12).



G007284

g007284

Bild 12

1. Holmarretierung

2. Holmstellungen

# Einstellen der Schnitthöhe

Stellen Sie die Schnitthöhe ein. Stellen Sie alle Schnitthöheneinstellhebel auf die gleiche Schnitthöhe ein. Zum Anheben oder Absenken der Maschine, siehe Bild 13.

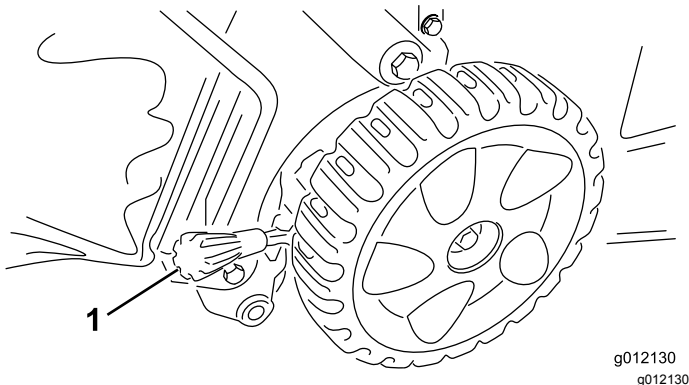


Bild 13

1. Schnitthöheneinstellhebel

**Wichtig:** Die Einstellungen für die Schnitthöhen sind 25 mm, 38 mm, 51 mm, 64 mm, 83 mm, 95 mm und 108 mm.

## Während des Einsatzes

## Hinweise zur Sicherheit während des Betriebs

### Allgemeine Sicherheit

- Tragen Sie geeignete Kleidung, u. a. eine Schutzbrille, lange Hosen, rutschfeste Arbeitsschuhe und einen Gehörschutz. Binden Sie lange Haare hinten zusammen und tragen Sie keinen Schmuck oder weite Kleidung.
- Konzentrieren Sie sich immer bei der Verwendung der Maschine. Tun Sie nichts, was Sie ablenken könnte, sonst könnten Verletzungen oder Sachschäden auftreten.
- Bedienen Sie die Maschine nicht, wenn Sie müde oder krank sind oder unter Alkohol- oder Drogeneinfluss stehen.
- Das Messer ist scharf; ein Kontakt damit kann zu schweren Verletzungen führen. Stellen Sie den Motor ab und warten Sie, bis alle beweglichen Teile zum Stillstand gekommen sind, bevor Sie die Bedienerposition verlassen.
- Wenn Sie den Schaltbügel loslassen, sollten der Motor und das Messer innerhalb von drei Sekunden abstellen. Wenn dies nicht der Fall ist, setzen Sie die Maschine nicht mehr ein und wenden sich sofort an einen offiziellen Vertragshändler.
- Halten Sie umstehende Personen vom Arbeitsbereich fern. Halten Sie kleine Kinder aus dem Mähbereich fern und unter Aufsicht eines verantwortlichen Erwachsenen, der nicht die Maschine bedient. Stellen Sie, wenn jemand den Arbeitsbereich betritt, sofort die Maschine ab.
- Schauen Sie immer nach unten und nach hinten, bevor Sie die Maschine rückwärts bewegen.
- Setzen Sie die Maschine nur in guten Sichtverhältnissen und geeigneten Wetterbedingungen ein. Fahren Sie die Maschine nie bei Gewitter, bzw. wenn Gefahr durch Blitzschlag besteht.
- Nasses Gras und/oder nasse Blätter können zu schweren Verletzungen führen, sollten Sie darauf ausrutschen und mit dem Messer in Berührung kommen. Vermeiden Sie Mäharbeiten bei nassen Umgebungsbedingungen.
- Gehen Sie beim Anfahren von blinden Ecken, Sträuchern, Bäumen und anderen Gegenständen, die Ihre Sicht behindern können, vorsichtig vor.
- Werfen Sie das Schnittgut nicht gegen Personen aus. Vermeiden Sie, Material gegen eine Wand oder ein Hindernis auszuwerfen, da das Material auf Sie zurückprallen kann. Stellen Sie das/die Messer ab, wenn Sie eine Kiesoberflächen überqueren.
- Achten Sie auf Löcher, Rillen, Bodenwellen, Steine oder andere verborgene Objekte. Unebenes Gelände kann dazu führen, dass Sie das Gleichgewicht oder den Halt verlieren.
- Stellen Sie den Motor sofort ab, wenn der Mäher auf einen Gegenstand aufprallt oder anfängt zu vibrieren, warten, bis alle beweglichen Teile zum Stillstand gekommen sind, und ziehen den Zündkerzenstecker ab, bevor Sie den Mäher auf eventuelle Beschädigungen untersuchen. Führen Sie die erforderlichen Reparaturarbeiten aus, bevor Sie die Maschine erneut einsetzen.
- Stellen Sie vor dem Verlassen der Bedienerposition den Motor ab und warten Sie, bis alle beweglichen Teile zum Stillstand gekommen sind.
- Der Motor ist nach dem Betrieb sehr heiß und Sie könnten sich verbrennen. Berühren Sie nie den heißen Motor.
- Betreiben Sie den Motor nur in gut belüfteten Bereichen. Die Abgase enthalten Kohlenmonoxid, das beim Einatmen tödlich ist.
- Prüfen Sie die Teile des Fangkorbs und des Auswurfkanals häufig auf Risse oder Abnutzung und wechseln Sie sie ggf. mit Originalteilen von Toro aus.

## Sicherheit an Hanglagen

- Mähen Sie immer quer zum Hang, nicht hangaufwärts oder -abwärts. Gehen Sie beim Richtungswechsel an Hanglagen äußerst vorsichtig vor.
- Versuchen Sie nicht, steile Hanglagen zu mähen. Ein schlechter Halt kann zu Rutsch- und Fallunfällen führen.
- Gehen Sie bei Mäharbeiten in der Nähe von steilen Gefällen, Gräben oder Böschungen besonders vorsichtig vor.

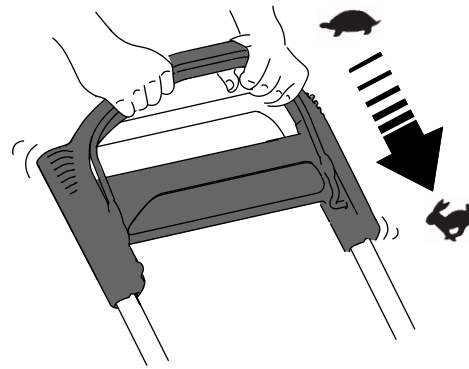


Bild 15

g233423

## Anlassen des Motors

1. Drücken Sie den Schaltbügel gegen den Holm (A in Bild 14).
2. Ziehen Sie leicht am Rücklaufstartergriff, bis Sie einen Widerstand spüren. Ziehen Sie ihn dann kräftig durch und lassen ihn langsam in die Seilführung am Holm zurückgehen (Bin in Bild 14).

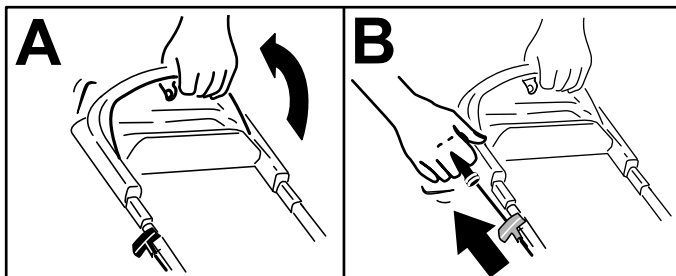


Bild 14

g230459

**Hinweis:** Wenn der Rasenmäher nach mehreren Versuchen nicht anspringt, wenden Sie sich an den offiziellen Vertragshändler.

## Verwenden des Selbstantriebs

Um den Selbstantrieb zu benutzen, gehen Sie einfach vorwärts und halten Sie dabei Ihre Hände am oberen Holm und Ihre Ellbogen an Ihren Seiten; die Maschine hält automatisch mit Ihnen Schritt (Bild 15).

**Hinweis:** Wenn die Maschine nicht ungehindert nach dem Selbstantrieb rückwärts rollt, gehen Sie nicht weiter, lassen Sie die Hände am Bügel und lassen Sie die Maschine ein paar Zentimeter vorwärts rollen, um den Radantrieb einzukuppeln. Sie können auch unter dem oberen Holm den Metallbügel anfassen und die Maschine ein paar Zentimeter nach vorne schieben. Wenn die Maschine immer noch nicht ungehindert rückwärts rollt, wenden Sie sich an den offiziellen Vertragshändler.

## Abstellen des Motors

**Wartungsintervall:** Bei jeder Verwendung oder täglich

Lassen Sie zum Abstellen des Motors den Schaltbügel los.

**Wichtig:** Wenn Sie den Schaltbügel loslassen, werden der Motor und das Messer innerhalb von drei Sekunden abgestellt. Wenn dies nicht der Fall ist, setzen Sie die Maschine nicht mehr ein und wenden Sie sich sofort an einen offiziellen Vertragshändler.

# Schnittgutrecyclen

Der Rasenmäher ist werksseitig auf das Recyclen von Schnittgut und Laub eingestellt.

auf der Fangkorb-Stellung steht, schieben Sie den Hebel in die Recycler-Stellung, siehe [Verwenden des Hebels für den zuschaltbaren Fangkorb \(Seite 14\)](#).

Wenn der Grasfangkorb an der Maschine angebracht ist, und der Hebel für den zuschaltbaren Fangkorb

## Sammeln des Schnittguts

Verwenden Sie den Fangkorb, wenn Sie Schnittgut und Laub im Fangkorb sammeln möchten.

Wenn der Hebel für den zuschaltbaren Fangkorb in der Recycler-Stellung ist, schieben Sie ihn in die Fangkorb-Stellung, siehe [Verwenden des Hebels für den zuschaltbaren Fangkorb \(Seite 14\)](#).

## Montieren des Fangkorbs

1. Heben Sie das hintere Ablenkblech an und halten Sie es hoch (A in [Bild 16](#)).
2. Setzen Sie den Grasfangkorb ein, stellen Sie sicher, dass die Stifte am Fangkorb in den Kerben am Holm sind (B in [Bild 16](#)).
3. Senken Sie das hintere Ablenkblech ab.

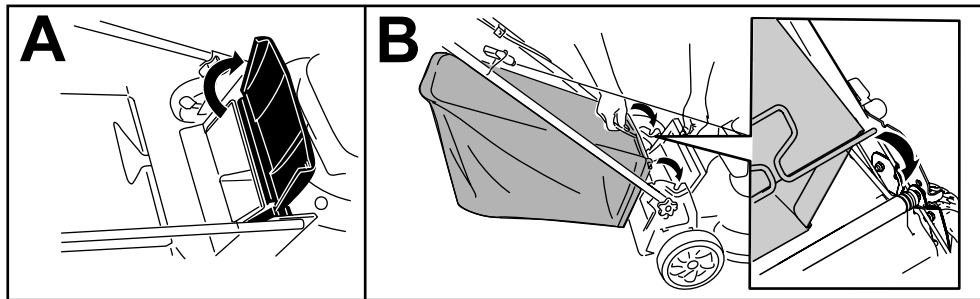


Bild 16

g233434

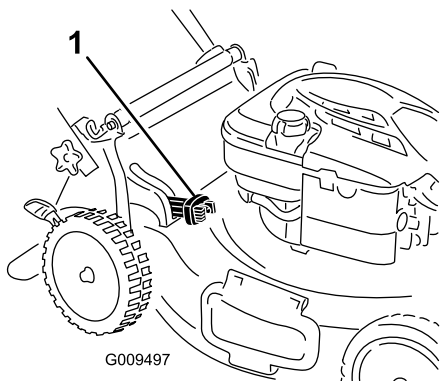
## Entfernen des Fangkorbs

Wenn Sie den Fangkorb abnehmen möchten, gehen Sie umgekehrt vor als in [Montieren des Fangkorbs \(Seite 13\)](#).

# Verwenden des Hebels für den zuschaltbaren Fangkorb

Mit dem zuschaltbaren Fangkorb können Sie Schnittgut und Laub entweder sammeln oder recyceln, wenn der Grasfangkorb an der Maschine angebracht ist.

- Zum Sammeln des Schnittguts und Laubs drücken Sie die Taste am Hebel für den zuschaltbaren Fangkorb und bewegen den Hebel nach vorne, bis die Taste am Hebel herauspringt ([Bild 17](#)).

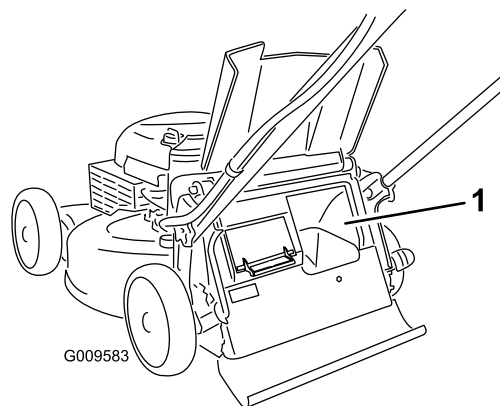


**Bild 17**

1. Hebel für den zuschaltbaren Fangkorb (in Fangkorb-Stellung)

- Zum Recyceln oder seitlichen Auswurf des Schnittguts und Laubs drücken Sie die Taste am Hebel und bewegen den Hebel nach hinten, bis die Taste am Hebel herauspringt.

**Wichtig:** Stellen Sie für einen einwandfreien Betrieb den Motor ab, warten Sie, bis alle beweglichen Teile zum Stillstand gekommen sind, entfernen Sie dann Schnittgut und Rückstände von der Klappe des zuschaltbaren Fangkorbs und den umgebenden Öffnungen ([Bild 18](#)), bevor Sie die Stellung des Hebels für den zuschaltbaren Fangkorb ändern.



**Bild 18**

g009583

1. An dieser Stelle reinigen

## Heckauswurf des Schnittguts

Verwenden Sie den Heckauswurf, wenn Sie sehr hohes Gras schneiden.

**Hinweis:** Nehmen Sie ggf. den Fangkorb von der Maschine ab, bevor Sie das Schnittgut hinten auswerfen, siehe [Entfernen des Fangkorbs \(Seite 13\)](#). Der Hebel für den zuschaltbaren Fangkorb sollte in der BAGGING-Stellung sein, wie in [Bild 16](#) abgebildet.

### **⚠️ WARNUNG:**

**Das Messer ist scharf; ein Kontakt kann zu schweren Verletzungen führen.**

**Stellen Sie den Motor ab und warten Sie, bis alle beweglichen Teile zum Stillstand gekommen sind, bevor Sie die Bedienungsposition verlassen.**

# Betriebshinweise

## Allgemeine Mähtipps

- Prüfen Sie den Arbeitsbereich gründlich und entfernen Sie alle Objekte, die von der Maschine aufgeschleudert werden könnten.
- Vermeiden Sie, dass das Messer auf Fremdkörper aufprallt. Mähen Sie nie absichtlich über irgendwelchen Gegenständen.
- Stellen Sie den Motor sofort ab, wenn der Mäher auf einen Gegenstand aufprallt oder anfängt zu vibrieren, ziehen den Zündschlüssel (falls vorhanden) ab, ziehen den Zündkerzenstecker ab und untersuchen Sie den Mäher auf eventuelle Beschädigungen.
- Montieren Sie für die optimale Leistung vor dem Saisonbeginn ein neues Messer.
- Tauschen Sie die Messer bei Bedarf durch ein Originalersatzmesser von Toro aus.

## Mähen

- Mähen Sie immer nur ein Drittel des Grashalms in einem Durchgang. Mähen Sie nicht unter einer Einstellung von 51 mm, wenn das Gras sehr fein wächst, oder im Spätherbst, wenn das Graswachstum nachlässt.
- Stellen Sie beim ersten Durchgang die Schnitthöhe auf die höchste Einstellung und gehen langsamer, wenn Sie Gras mähen, das länger als 15 cm ist. Mähen Sie dann noch einmal mit einer niedrigeren Einstellung, um dem Rasen das gewünschte Schnittbild zu geben. Wenn das Gras zu lang ist, kann die Maschine verstopfen und der Motor kann abstellen.
- Nasses Gras und Laub neigen zum Verklumpen im Garten und können ein Verstopfen der Maschine und ein Abstellen des Motors verursachen. Vermeiden Sie Mäharbeiten bei nassen Umgebungsbedingungen.
- In sehr trockenen Bedingungen besteht eine Brandgefahr. Halten Sie alle lokalen Brandgefahrwarnungen ein und entfernen Sie trockenes Gras und Laub von der Maschine.
- Wechseln Sie häufig die Mährichtung. Dadurch verteilt sich das Schnittgut besser auf der Rasenfläche und bewirkt ein effektiveres Düngen.
- Probieren Sie bei einem unbefriedigenden Schnittbild des Rasens eine der folgenden Abhilfen aus:
  - Wechseln Sie das Messer aus oder lassen Sie es schärfen.

- Gehen Sie beim Mähen langsamer.
- Heben Sie die Schnitthöhe der Maschine an.
- Mähen Sie häufiger.
- Lassen Sie die Bahnen überlappen, anstelle bei jedem Gang eine neue Bahn zu mähen.

## Schnetzeln von Laub

- Stellen Sie nach dem Mähen sicher, dass die Hälfte des Rasens durch die Schnittgutdecke sichtbar ist. Dabei müssen Sie unter Umständen mehrmals über das Laub mähen.
- Wenn eine Laubdecke von mehr als 13 cm auf dem Rasen liegt, mähen Sie mit einer höheren Schnitthöhe und dann mit der gewünschten Schnitthöhe.
- Mähen Sie langsamer, wenn die Maschine das Laub nicht fein genug häckselt.

## Nach dem Einsatz

## Hinweise zur Sicherheit nach dem Betrieb

### Allgemeine Sicherheit

- Stellen Sie die Maschine ab und warten Sie, bis alle beweglichen Teile zum Stillstand gekommen sind. Lassen Sie die Maschine abkühlen, bevor Sie diese einstellen, reinigen, verstauen, oder reparieren.
- Entfernen Sie Gras und Schmutz von der Maschine, um einem Brand vorzubeugen. Wischen Sie Öl- und Kraftstoffverschüttungen auf.
- Lagern Sie die Maschine oder den Benzinkanister nie an Orten mit offener Flamme, Funken oder Zündflamme, z. B. Warmwasserbereiter, oder auf anderen Geräten.

### Sicherheit beim Befördern

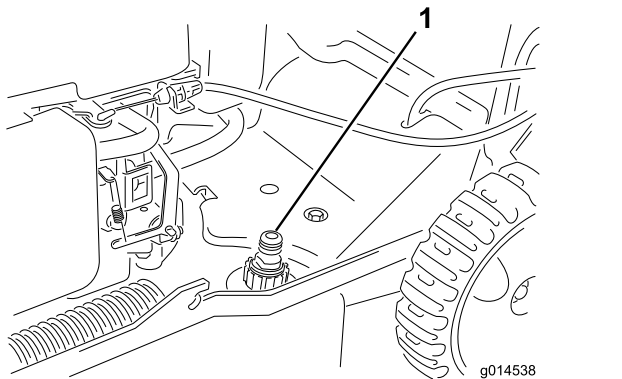
- Gehen Sie beim Laden und Abladen der Maschine auf einen/von einem Transportmittel vorsichtig vor.
- Sichern Sie die Maschine für den Transport.

# Reinigen unter dem Gerät

**Wartungsintervall:** Bei jeder Verwendung oder täglich

Um die besten Ergebnisse zu erzielen, reinigen Sie die Maschine sobald Sie mit dem Mähen fertig sind.

1. Senken Sie die Maschine auf die niedrigste Schnitthöhe ab. Siehe [Einstellen der Schnitthöhe \(Seite 11\)](#).
2. Stellen Sie die Maschine auf einer ebenen Fläche ab.
3. Befestigen Sie einen Gartenschlauch, der an einen Wasserhahn angeschlossen ist, am Wasseranschluss ([Bild 19](#)).



**Bild 19**

1. Wasseranschluss

4. Drehen Sie den Wasserhahn auf.
5. Starten Sie den Motor und lassen Sie ihn so lange laufen, bis kein weiteres Schnittgut an der Unterseite der Maschine austritt.
6. Stellen Sie den Motor ab.
7. Drehen Sie den Wasserhahn zu und schließen Sie den Gartenschlauch von der Maschine ab.
8. Starten Sie den Motor und lassen Sie ihn für ein paar Minuten laufen, um die Unterseite der Maschine auszutrocknen.
9. Stellen Sie den Motor ab und warten, bis er sich abgekühlt hat.

# Zusammenklappen des Holms

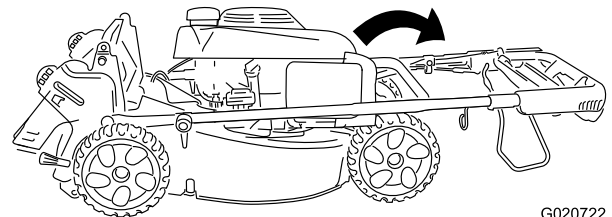
## **⚠️ WARNUNG:**

Wenn Sie den Holm falsch auf- oder zusammenklappen, können Sie die Kabel beschädigen und den sicheren Geräteinsatz gefährden.

- Beschädigen Sie beim Auf- oder Zusammenklappen des Holms nicht die Kabel.
- Wenden Sie sich bei einem beschädigten Kabel an einen offiziellen Vertragshändler.

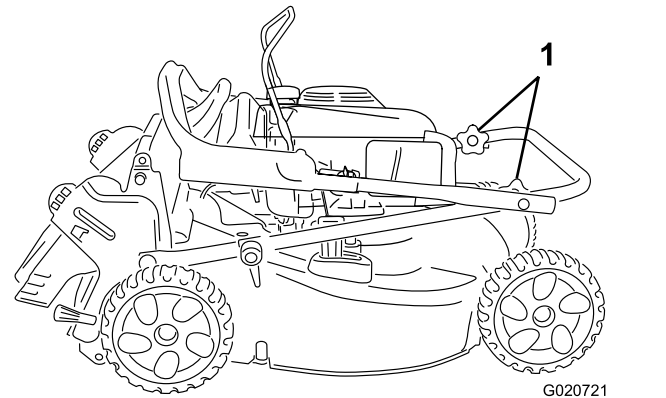
1. Lösen Sie die Griffhandräder.
2. Drehen Sie den Griff nach vorne ([Bild 20](#)).

**Wichtig:** Verlegen Sie die Kabel außen an den Holmhandrädern, wenn Sie den oberen Holm zusammenklappen.



**Bild 20**

3. Drehen Sie das obere Teil des Griffs zurück in Richtung Motor, siehe [Bild 21](#).



**Bild 21**

1. Holmhandräder

# Wartung

## Empfohlener Wartungsplan

Wartungsintervall	Wartungsmaßnahmen
Nach fünf Betriebsstunden	<ul style="list-style-type: none"><li>• Wechseln Sie das Motoröl.</li></ul>
Bei jeder Verwendung oder täglich	<ul style="list-style-type: none"><li>• Überprüfen Sie den Motorölstand und füllen Sie bei Bedarf Öl nach.</li><li>• Stellen Sie sicher, dass der Motor innerhalb von drei Sekunden nach dem Loslassen des Schaltbügels abstellt.</li><li>• Entfernen Sie Schnittgut und Schmutz von der Unterseite des Mähwerks.</li></ul>
Alle 100 Betriebsstunden	<ul style="list-style-type: none"><li>• Warten Sie die Zündkerze.</li></ul>
Jährlich	<ul style="list-style-type: none"><li>• Warten Sie den Luftfilter.</li><li>• Wechseln Sie das Motoröl.</li><li>• Wechseln Sie das Messer aus oder lassen Sie es schärfen (öfter, wenn die Kanten schnell stumpf werden).</li><li>• Reinigen Sie den Motor, um Schmutz und Rückstände von der Oberseite und den Seiten zu entfernen; reinigen Sie ihn öfter in staubigen Bedingungen.</li></ul>
Jährlich oder vor der Einlagerung	<ul style="list-style-type: none"><li>• Entleeren Sie den Kraftstofftank laut Anweisung vor irgendwelchen Reparaturen und der Einlagerung.</li></ul>

## Wartungssicherheit

- Ziehen Sie den Zündkerzenstecker ab, bevor Sie Wartungsarbeiten ausführen.
- Tragen Sie beim Durchführen von Wartungsarbeiten Handschuhe und eine Schutzbrille.
- Das Messer ist scharf; ein Kontakt damit kann zu schweren Verletzungen führen. Tragen Sie Handschuhe, wenn Sie das Messer warten. Führen Sie keine Reparaturen oder Modifikationen an den Messern aus.
- Modifizieren Sie auf keinen Fall die Sicherheitsvorkehrungen. Prüfen Sie ihre einwandfreie Funktion in regelmäßigen Abständen.
- Ein Kippen der Maschine kann zu einem Verschütten von Kraftstoff führen. Kraftstoff ist entflammbar, explosiv und kann Verletzungen verursachen. Lassen Sie den Motor laufen, bis kein Kraftstoff mehr im Tank ist, oder pumpen Sie den Kraftstoff ab. Sie sollten auf keinen Fall versuchen, Kraftstoff abzusaugen.
- Um eine optimale Leistung der Maschine zu gewährleisten, verwenden Sie nur Original Ersatzteile und Zubehör von Toro. Die Verwendung von Ersatzteilen und Zubehör von anderen Herstellern kann Gefahren bergen und zum Erlöschen der Garantie führen.

## Vorbereiten für die Wartung

1. Stellen Sie den Motor ab und warten Sie, bis alle beweglichen Teile zum Stillstand gekommen sind.
2. Ziehen Sie den Kerzenstecker von der Zündkerze ab (Bild 22).

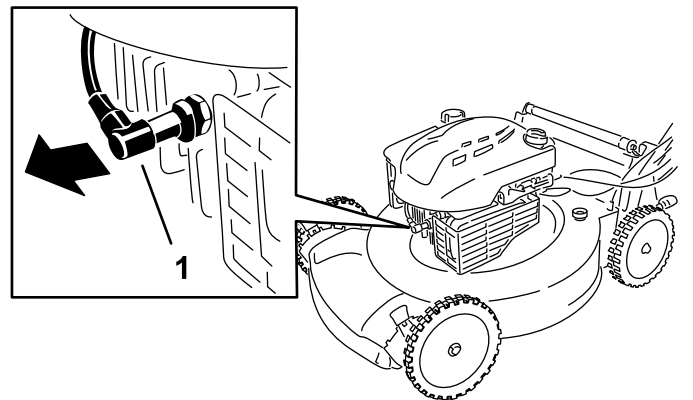


Bild 22

g236094

1. Zündkerzenstecker
3. Stecken Sie nach dem Abschluss der Wartungsarbeiten das Zündkabel wieder auf die Zündkerze.

**Wichtig:** Lassen Sie den Motor laufen, bis er aufgrund von Kraftstoffmangel abstellt, bevor Sie den Rasenmäher umkippen, um das Öl oder Messer zu wechseln. Wenn Sie die Maschine kippen müssen, während sich Kraftstoff im Tank befindet, pumpen Sie den

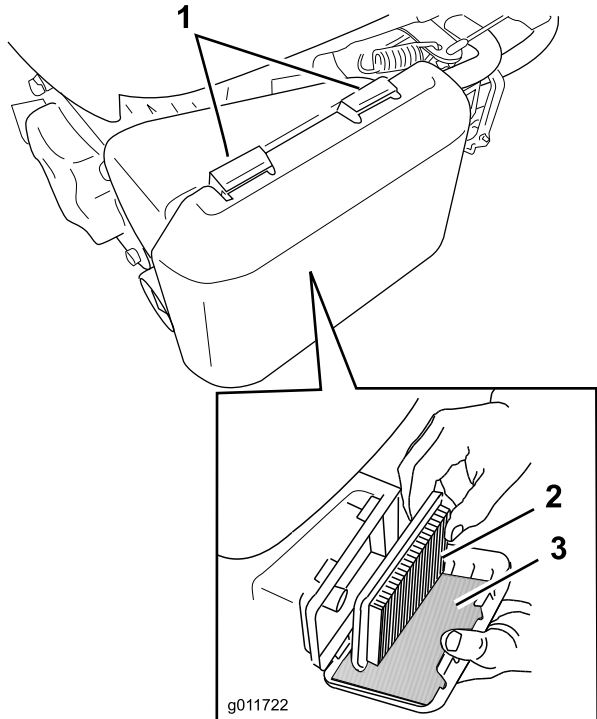


**Kraftstoff mit einer Handpumpe ab. Kippen Sie die Maschine immer so auf die Seite, dass der Peilstab nach unten zeigt.**

## Warten des Luftfilters

**Wartungsintervall:** Jährlich

1. Drücken Sie die Verriegelungsnasen oben an der Luftfilterabdeckung nach unten (**Bild 23**).



**Bild 23**

1. Verriegelungslaschen
2. Papierluftfilter
3. Schaumvorfilter

2. Öffnen Sie die Abdeckung.
3. Entfernen Sie den Papierfilter und den Schaumvorfilter (**Bild 23**).
4. Prüfen Sie den Schaumvorfilter und wechseln ihn aus, wenn er beschädigt oder sehr verschmutzt ist.
5. Prüfen Sie den Papierfilter.
  - Wenn der Luftfilter beschädigt oder mit Öl oder Kraftstoff befeuchtet ist, wechseln Sie ihn aus.
  - Wenn der Luftfilter schmutzig ist, klopfen Sie ihn mehrmals auf einer festen Oberfläche aus oder blasen Sie Druckluft unter 2,07 bar durch die Seite des Filters, die zum Motor zeigt.

**Hinweis:** Bürsten Sie Schmutz nie vom Filter ab. Ein Bürsten drückt den Schmutz noch tiefer in die Fasern.

6. Entfernen Sie den Schmutz vom Luftfiltergehäuse und von der Abdeckung mit einem feuchten Lappen.

**Wichtig:** Wischen Sie keinen Schmutz in den Luftschacht.

7. Setzen Sie den Schaumstoffvorfilter und den Papierfilter in den Luftfilter ein.
8. Setzen Sie die Abdeckung auf.

## Wechseln des Motoröls

**Wartungsintervall:** Nach fünf Betriebsstunden

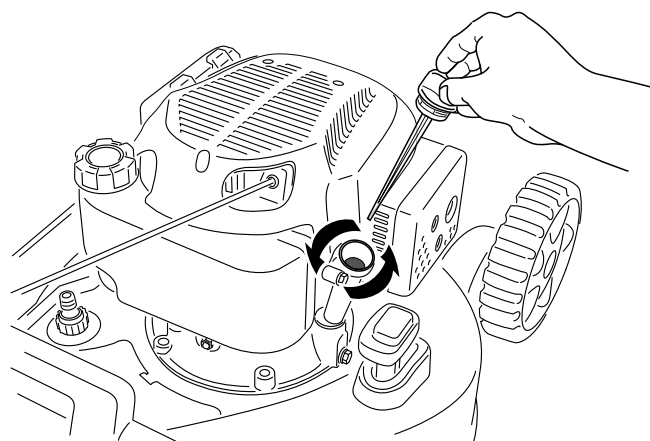
Jährlich

**Hinweis:** Lassen Sie den Motor ein paar Minuten laufen, bevor Sie das Öl wechseln, um es aufzuwärmen. Warmes Öl fließt besser und führt mehr Fremdstoffe mit sich.

### Motorölsorte

<b>Motorölmenge</b>	0,55 l
<b>Ölviskosität</b>	Waschaktives Öl der Sorte SAE 30 oder SAE 10W-30
<b>API-Klassifikation</b>	SJ oder höher

1. Stellen Sie die Maschine auf einer ebenen Fläche ab.
2. Siehe [Vorbereiten für die Wartung \(Seite 17\)](#).
3. Entfernen Sie den Peilstab, indem Sie den Deckel nach links drehen und herausziehen (**Bild 24**).



**Bild 24**

4. Kippen Sie die Maschine seitlich (Luftfilter nach oben), um das Altöl aus dem Öleinfüllstutzen abzulassen (**Bild 24**).

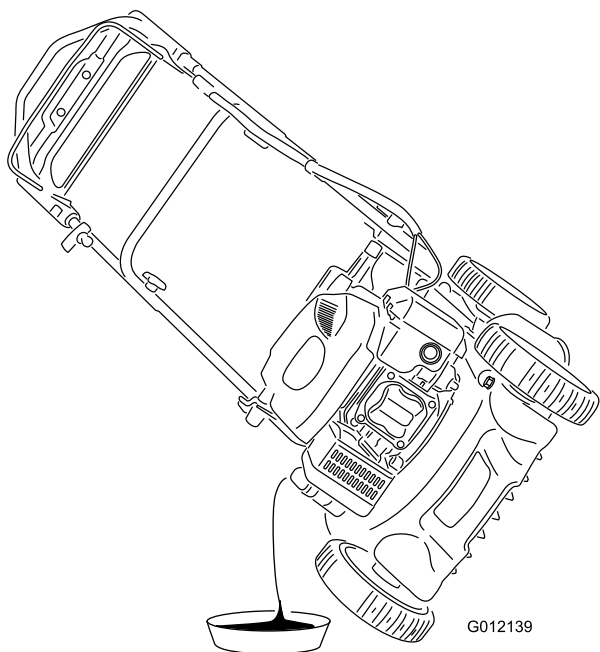


Bild 25

G012139

g012139

## Warten der Zündkerze

**Wartungsintervall:** Alle 100 Betriebsstunden

Verwenden Sie eine **Champion RL87YC** oder gleichwertige Zündkerze.

1. Stellen Sie den Motor ab und warten Sie, bis alle beweglichen Teile zum Stillstand gekommen sind.
2. Klemmen Sie das Zündkabel von der Zündkerze ab (Bild 22).
3. Reinigen Sie den Bereich um die Zündkerze herum.
4. Entfernen Sie die Zündkerze aus dem Zylinderkopf.

**Wichtig:** Tauschen Sie eine gerissene, verrußte oder verschmutzte Zündkerze aus. Reinigen Sie nie die Elektroden, da Abschabungen in den Zylinder eindringen und den Motor beschädigen könnten.

5. Stellen Sie den Elektrodenabstand auf 0,76 mm ein, siehe Bild 26.

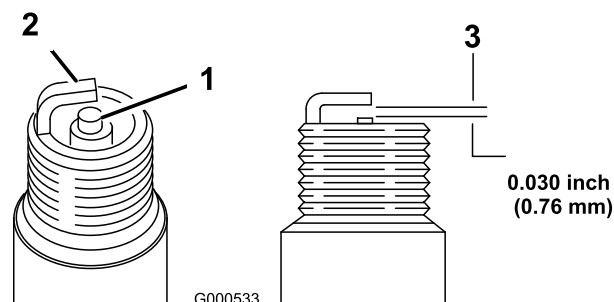


Bild 26

G000533

g000533

1. Kerzenstein der mittleren Elektrode
2. Seitliche Elektrode
3. Elektrodenabstand (nicht maßstabsgetreu)

6. Stecken Sie den Zündkerzenstecker wieder auf die Kerze.
7. Ziehen Sie die Kerze mit 20 N·m an.
8. Schließen Sie den Zündkerzenstecker wieder an die Zündkerze an.

5. Stellen Sie die Maschine nach dem Ablassen des Altöls wieder in die Betriebsstellung.
6. Gießen Sie ca.  $\frac{3}{4}$  der Motorölfüllmenge langsam in den Öleinfüllstutzen.
7. Warten Sie drei Minuten, damit sich das Öl im Motor setzen kann.
8. Wischen Sie den Peilstab mit einem sauberen Lappen ab.
9. Stecken Sie den Peilstab in den Öleinfüllstutzen, **schrauben Sie ihn jedoch nicht ein**; nehmen Sie den Peilstab dann heraus.
10. Lesen Sie den Ölstand am Peilstab ab. ( [Prüfen des Motorölstands \(Seite 10\)](#) )
  - Wenn der Ölstand am Peilstab zu niedrig ist, füllen Sie langsam etwas Öl in den Öleinfüllstutzen, warten Sie drei Minuten und wiederholen Sie dann die Schritte 8 bis 10, bis der Ölstand am Peilstab richtig ist.
  - Wenn der Ölstand am Peilstab zu hoch ist, lassen Sie Öl ab, bis der Ölstand am Peilstab richtig ist.

**Wichtig:** Wenn der Ölstand im Motor zu hoch oder zu niedrig ist und Sie den Motor laufen lassen, können Motorschäden auftreten.

11. Stecken Sie den Peilstab fest in den Einfüllstutzen.
12. Entsorgen Sie das Altöl ordnungsgemäß.

# Auswechseln des Messers

Wartungsintervall: Jährlich

**Wichtig:** Sie benötigen für den richtigen Einbau des Messers einen Drehmomentschlüssel. Wenn Sie keinen Drehmomentschlüssel haben oder diese Arbeit nicht ausführen möchten, wenden Sie sich an einen offiziellen Vertragshändler.

Prüfen Sie das Messer, wenn der Kraftstofftank leer ist. Wechseln Sie das Messer sofort aus, wenn es beschädigt oder gerissen ist. Schärfen Sie die Messerkante, wenn sie stumpf ist oder Einkerbungen aufweist. Wechseln Sie ggf. das Messer aus.

## ⚠️ WARNUNG:

Das Messer ist scharf; ein Kontakt kann zu schweren Verletzungen führen.

Tragen Sie Handschuhe, wenn Sie das Messer warten.

1. Siehe [Vorbereiten für die Wartung \(Seite 17\)](#).
2. Kippen Sie die Maschine auf die Seite, sodass der Luftfilter nach oben zeigt.
3. Stabilisieren Sie das Messer mit einem Holzblock ([Bild 27](#)).

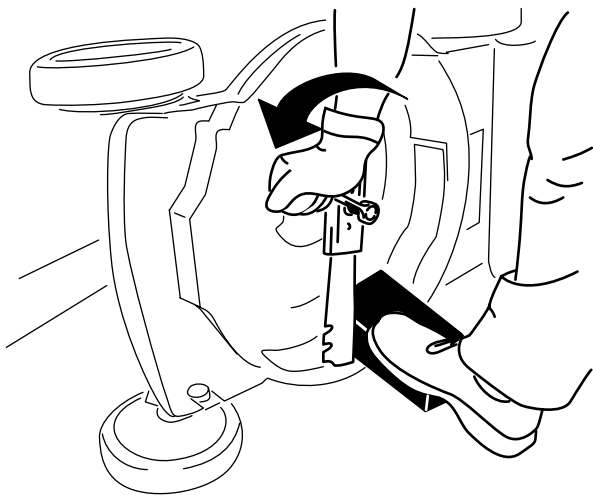


Bild 27

g231389

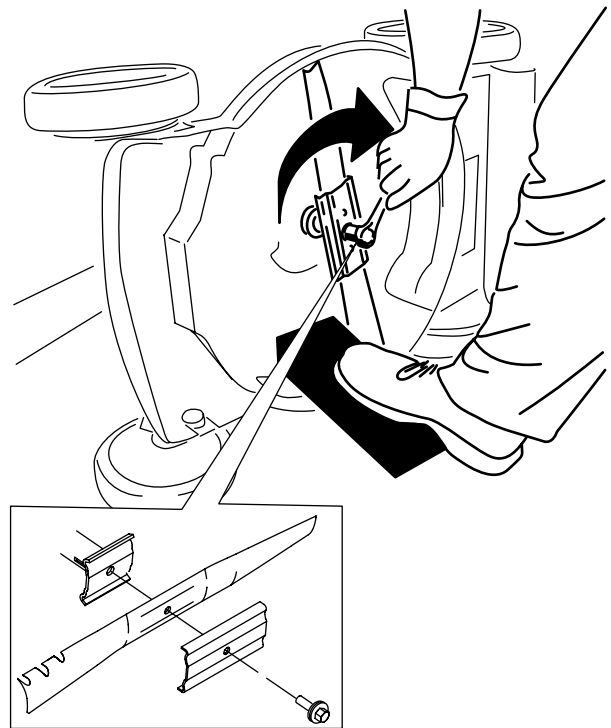


Bild 28

g231390

**Wichtig:** Das gebogene Ende des Messers sollte zum Mähwerkgehäuse zeigen.

6. Ziehen Sie die Messerschraube mit einem Drehmomentschlüssel mit 82 Nm an.

**Wichtig:** Eine mit 82 Nm angezogene Schraube sitzt sehr fest. Arretieren Sie das Messer mit einem Holzstück und verlagern Sie gleichzeitig das Gewicht auf den Schlüssel und ziehen Sie die Schraube fest. Diese Schraube kann fast nicht zu fest angezogen werden.

4. Nehmen Sie das Messer ab und bewahren Sie alle Befestigungsschrauben auf ([Bild 27](#)).
5. Setzen Sie das neue Messer und alle Schrauben auf ([Bild 28](#)).

# Einstellen des Selbstantriebs

## Nur für Modelle mit Selbstantrieb

Beim Einbau eines Selbstantriebszugs oder bei einer falschen Einstellung des Selbstantriebs müssen Sie den Selbstantrieb einstellen.

1. Drehen Sie die Einstellmutter nach links, um die Zueinstellung zu lösen (Bild 29).

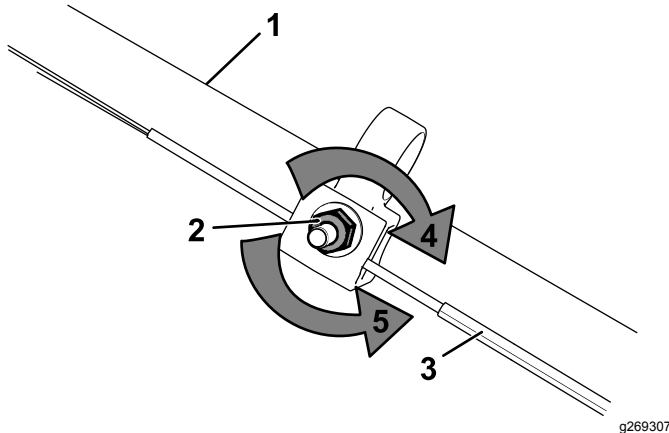


Bild 29

- |                       |  |
|-----------------------|--|
| 1. Holm (linke Seite) | 4. Drehen Sie die Mutter nach rechts, um die Einstellung anzuziehen. |
| 2. Einstellmutter     | 5. Drehen Sie die Mutter nach links, um die Einstellung zu lösen.    |
| 3. Selbstantriebszug  |  |

2. Stellen Sie die Spannung des Zugs (Bild 29) ein, indem Sie ihn zurückziehen oder nach vorne drücken und dann in dieser Stellung arretieren.

**Hinweis:** Drücken Sie den Zug zur Maschine, um den Antrieb zu erhöhen; ziehen Sie den Zug vom Motor weg, um den Antrieb zu verringern.

3. Drehen Sie die Mutter nach rechts, um die Zueinstellung zu anzuziehen.

**Hinweis:** Ziehen Sie die Mutter mit einem Steckschlüssel oder Schraubenschlüssel fest an.

# Einlagerung

Lagern Sie die Maschine an einem kühlen, sauberen und trockenen Ort ein.

## Sicherheit bei der Einlagerung

Stellen Sie die Maschine ab und warten Sie, bis alle beweglichen Teile zum Stillstand gekommen sind. Lassen Sie die Maschine abkühlen, bevor Sie diese einstellen, reinigen, verstauen, oder reparieren.

## Vorbereiten der Maschine für die Einlagerung

1. Geben Sie dem Benzin beim letzten Auftanken im Jahr einen Kraftstoffstabilisator (z. B. Toro Premium Fuel Treatment) bei, wie auf dem Etikett angegeben.
2. Entsorgen Sie nicht verwendeten Kraftstoff ordnungsgemäß. Recyceln Sie den Kraftstoff vorschriftsmäßig oder verwenden Sie ihn für Ihr Auto.

**Wichtig: Alter Kraftstoff im Kraftstofftank ist die häufigste Ursache für schweres Anspringen. Lagern Sie Kraftstoff ohne Stabilisator höchstens 30 Tage und lagern Sie Kraftstoff mit Stabilisator nur für die Dauer, die der Hersteller des Kraftstoffstabilisators empfiehlt.**

3. Lassen Sie die Maschine so lange laufen, bis der Motor infolge von Benzinknappheit abstellt.
4. Starten Sie den Motor und lassen Sie ihn laufen, bis er abstellt. Wenn sich der Motor nicht mehr starten lässt, ist er ausreichend trocken.
5. Ziehen Sie den Kerzenstecker von der Zündkerze und befestigen ihn an der Haltestrebe (falls vorhanden).
6. Nehmen Sie die Zündkerze heraus, füllen Sie 30 ml Motoröl in das Zündkerzenloch und ziehen Sie mehrmals langsam am Starterkabel, um das Öl im Zylinder zu verteilen und eine Korrosion des Zylinders während der Einlagerung zu vermeiden.
7. Stecken Sie die Zündkerze locker auf.
8. Ziehen Sie alle Schrauben und Muttern an.

# Herausnehmen des Rasenmähers aus der Einlagerung

1. Ziehen Sie alle Befestigungen an.
2. Entfernen Sie die Zündkerze und drehen Sie den Motor schnell durch Ziehen des Rücklaufstarters, um überflüssiges Öl aus dem Zylinder zu entfernen.
3. Setzen Sie die Zündkerze ein und ziehen Sie sie mit einem Drehmomentschlüssel mit 20 Nm an.
4. Führen Sie die empfohlenen Wartungsarbeiten durch, siehe [Wartung \(Seite 17\)](#).
5. Prüfen Sie den Motorölstand; siehe [Prüfen des Motorölstands \(Seite 10\)](#).
6. Füllen Sie frischen Kraftstoff in den Kraftstofftank, siehe [Betanken \(Seite 9\)](#).
7. Schließen Sie den Zündkerzenstecker wieder an die Zündkerze an.

## **EEA/UK Datenschutzerklärung**

### **Toros Verwendung Ihrer persönlichen Informationen**

The Toro Company ("Toro") respektiert Ihre Privatsphäre. Wenn Sie unsere Produkte kaufen, können wir bestimmte persönliche Informationen über Sie sammeln, entweder direkt von Ihnen, oder über Ihre lokale Toro-Niederlassung oder Ihren Händler. Toro verwendet diese Informationen, um vertragliche Verpflichtungen zu erfüllen – z. B. um Ihre Garantie zu registrieren, Ihren Garantieanspruch zu bearbeiten oder Sie im Falle eines Rückrufs zu kontaktieren - und für legitime Geschäftszwecke – z. B. um die Kundenzufriedenheit zu messen, unsere Produkte zu verbessern, oder Ihnen Produktinformationen zur Verfügung zu stellen, die für Sie von Interesse sein könnten. Toro kann die Informationen im Rahmen dieser Aktivitäten an Toro Tochtergesellschaften, Händler, oder Geschäftspartner weitergeben. Wir können auch persönliche Daten offenlegen, wenn dies gesetzlich vorgeschrieben ist, oder im Zusammenhang mit dem Verkauf, Kauf, oder der Fusion eines Unternehmens. Toro verkauft Ihre persönlichen Informationen niemals an anderen Unternehmen.

### **Speicherung persönlicher Informationen**

Toro wird Ihre persönlichen Daten so lange aufbewahren, wie es für die oben genannten Zwecke relevant ist und in Übereinstimmung mit den gesetzlichen Bestimmungen. Für weitere Informationen über die geltenden Aufbewahrungsfristen wenden Sie sich bitte an [legal@toro.com](mailto:legal@toro.com).

### **Toros Engagement für Sicherheit**

Ihre persönlichen Daten können in den USA oder einem anderen Land verarbeitet werden, in dem möglicherweise weniger strenge Datenschutzgesetze gelten als in Ihrem Wohnsitzland. Wann immer wir Ihre Daten außerhalb Ihres Wohnsitzlandes übermitteln, werden wir die gesetzlich vorgeschriebenen Schritte unternehmen, um sicherzustellen, dass angemessene Sicherheitsvorkehrungen zum Schutz Ihrer Daten getroffen werden und um sicherzustellen, dass diese sicher behandelt werden.

### **Zugang und Korrektur**

Sie haben das Recht, Ihre persönlichen Daten zu korrigieren und zu überprüfen, oder der Verarbeitung Ihrer Daten zu widersprechen bzw. diese einzuschränken. Bitte kontaktieren Sie uns dazu per E-Mail unter [legal@toro.com](mailto:legal@toro.com). Wenn Sie Bedenken haben, wie Toro mit Ihren Daten umgegangen ist, bitten wir Sie, dies direkt mit uns zu besprechen. Bitte beachten Sie, dass europäische Bürger das Recht haben, sich bei Ihrer Datenschutzbehörde zu beschweren.



**Count on it.**



# Tondeuse Super Recycler® de 48 cm

N° de modèle 21681—N° de série 40000000 et suivants

Manuel de l'utilisateur

## Introduction

Cette tondeuse autotractée à lame rotative est destinée au grand public. Elle est principalement conçue pour tondre les pelouses entretenues régulièrement dans les terrains privés.

Lisez attentivement cette notice pour apprendre comment utiliser et entretenir correctement votre produit, et éviter ainsi de l'endommager ou de vous blesser. Vous êtes responsable de l'utilisation sûre et correcte du produit.

Pour plus d'informations, y compris des conseils de sécurité, des documents de formation, des renseignements concernant un accessoire, pour obtenir l'adresse d'un concessionnaire ou pour enregistrer votre produit, rendez-vous sur [www.Toro.com](http://www.Toro.com).

Pour obtenir des prestations de service, des pièces Toro d'origine ou des renseignements complémentaires, munissez-vous des numéros de modèle et de série du produit et contactez un concessionnaire-réparateur agréé ou le service client Toro. La [Figure 1](#) indique l'emplacement des numéros de modèle et de série du produit. Inscrivez les numéros dans l'espace réservé à cet effet.

**Important:** Avec votre appareil mobile, vous pouvez scanner le code QR sur l'autocollant du numéro de série (le cas échéant) afin d'accéder aux informations sur la garantie, les pièces détachées et autres renseignements sur le produit.

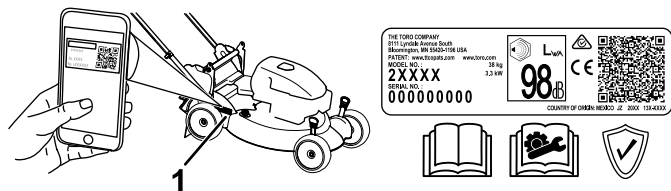


Figure 1

g283331

1. Emplacement des numéros de modèle et de série

N° de modèle _____
N° de série _____

Les mises en garde de ce manuel soulignent des dangers potentiels et sont signalées par le symbole de sécurité ([Figure 2](#)), qui indique un danger pouvant entraîner des blessures graves ou mortelles si les précautions recommandées ne sont pas respectées.



Figure 2

Symbole de sécurité

g000502

Ce manuel utilise deux termes pour faire passer des renseignements essentiels. **Important**, pour attirer l'attention sur des renseignements mécaniques spécifiques et **Remarque**, pour insister sur des renseignements d'ordre général méritant une attention particulière.

Ce produit est conforme à toutes les directives européennes pertinentes. Pour plus de renseignements, reportez-vous à la Déclaration de conformité spécifique du produit fournie séparément.

**Couple brut ou net :** le couple brut ou net de ce moteur a été calculé en laboratoire par le constructeur du moteur selon la norme SAE J1940 ou J2723 de la Society of Automotive Engineers (SAE). Étant configuré pour satisfaire aux normes de sécurité, antipollution et d'exploitation, le moteur monté sur cette classe de tondeuse aura un couple effectif nettement inférieur. Reportez-vous aux informations du constructeur du moteur qui accompagnent la machine.

Ne modifiez pas ou ne désactivez pas les systèmes de sécurité de machine, et vérifiez régulièrement qu'ils fonctionnent correctement. N'essayez pas de régler ou de modifier la commande de régime moteur, au risque de compromettre le fonctionnement sûr de la machine et de causer des blessures.

**Important:** Si vous utilisez la machine au-dessus de 1 500 m pendant une période continue, veillez à installer le kit pour haute altitude afin que le moteur réponde aux normes antipollution CARB/EPA. Le kit pour haute altitude accroît les performances du moteur tout en prévenant l'encrassement des bougies, les difficultés de démarrage et l'augmentation des émissions

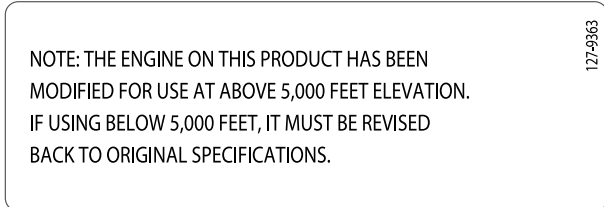




polluantes. Après avoir installé le kit, apposez l'étiquette de haute altitude près de l'autocollant du numéro de série sur la machine. Contactez un concessionnaire-réparateur Toro agréé pour vous procurer le kit haute altitude et l'étiquette associée pour votre machine. Pour trouver le concessionnaire le plus proche, consultez notre site web à [www.Toro.com](http://www.Toro.com) ou contactez le service client de Toro au(x) numéro(s) indiqué(s) dans votre Déclaration de garantie de conformité à la réglementation antipollution.

Déposez le kit du moteur et rétablissez la configuration d'origine du moteur si vous devez utiliser la machine en dessous de 1 500 m. Si le moteur a été converti pour l'usage à haute altitude, ne le faites pas tourner à plus basse altitude, au risque de le faire surchauffer et de l'endommager.

En cas de doute concernant la conversion de votre machine pour l'usage à haute altitude, recherchez l'étiquette suivante :



## Table des matières

Introduction .....	1
Sécurité .....	2
Consignes de sécurité générales .....	2
Autocollants de sécurité et d'instruction .....	3
Mise en service .....	4
1 Dépliage du guidon .....	4
2 Montage du câble du lanceur dans le guide .....	5
3 Plein d'huile du carter moteur .....	5
4 Montage du bac à herbe .....	6
Vue d'ensemble du produit .....	7
Caractéristiques techniques .....	7
Utilisation .....	7
Avant l'utilisation .....	7
Contrôles de sécurité avant l'utilisation .....	7
Remplissage du réservoir de carburant .....	8
Contrôle du niveau d'huile moteur .....	9
Réglage de la hauteur du guidon .....	9
Réglage de la hauteur de coupe .....	10
Pendant l'utilisation .....	10
Consignes de sécurité pendant l'utilisation .....	10
Démarrage du moteur .....	11
Utilisation de la commande d'autopropulsion .....	11

Arrêt du moteur .....	11
Recyclage de l'herbe coupée .....	12
Ramassage de l'herbe coupée .....	12
Utilisation du levier de ramassage sur demande .....	12
Éjection arrière de l'herbe coupée .....	13
Conseils d'utilisation .....	13
Après l'utilisation .....	14
Consignes de sécurité après l'utilisation .....	14
Nettoyage du dessous de la machine .....	14
Pliage du guidon .....	15
Entretien .....	16
Programme d'entretien recommandé .....	16
Consignes de sécurité pendant l'entretien .....	16
Préparation à l'entretien .....	16
Entretien du filtre à air .....	17
Vidange de l'huile moteur .....	17
Entretien de la bougie .....	18
Remplacement de la lame .....	19
Réglage de l'autopropulsion .....	20
Remisage .....	20
Consignes de sécurité pour le remisage .....	20
Préparation de la machine au remisage .....	20
Remise en service après remisage .....	21

## Sécurité

Cette machine est conçue en conformité avec la norme EN ISO 5395.

### Consignes de sécurité générales

Ce produit peut sectionner les mains ou les pieds et projeter des objets. Respectez toujours toutes les consignes de sécurité pour éviter des blessures graves.

L'utilisation de ce produit à d'autres fins que celle qui est prévue peut être dangereuse pour vous-même et pour les personnes à proximité.

- Avant de démarrer le moteur, vous devez lire, comprendre et respecter toutes les instructions et mises en garde données dans ce *Manuel de l'utilisateur* ainsi que sur la machine et les accessoires.
- Ne placez pas les mains ou les pieds près des pièces mobiles ou sous la machine. Ne vous tenez pas devant l'ouverture d'éjection.
- N'utilisez pas la machine s'il manque des capots ou d'autres dispositifs de protection, ou s'ils sont défectueux.
- N'admettez personne, notamment les enfants, dans le périmètre de travail. N'autorisez jamais un enfant à utiliser la machine. Seules les

personnes responsables, formées à l'utilisation de la machine, ayant lu et compris les instructions et physiquement aptes sont autorisées à utiliser la machine.

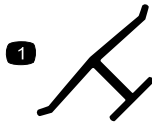
- Arrêtez la machine, coupez le moteur et attendez l'arrêt complet de toutes les pièces mobiles avant de faire l'entretien, de faire le plein de carburant ou de déboucher la machine.

L'usage ou l'entretien incorrect de cette machine peut occasionner des accidents. Pour réduire les risques d'accidents et de blessures, respectez les consignes de sécurité qui suivent. Tenez toujours compte des mises en garde signalées par le symbole de sécurité (▲) et la mention Prudence, Attention ou Danger. Le non respect de ces instructions peut entraîner des blessures graves ou mortelles.

## Autocollants de sécurité et d'instruction



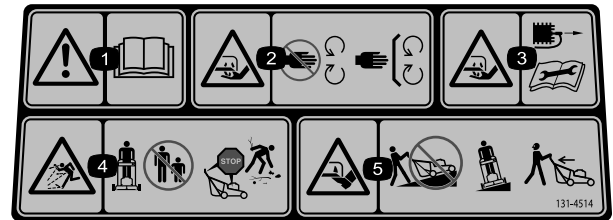
Des autocollants de sécurité et des instructions bien visibles par l'opérateur sont placés près de tous les endroits potentiellement dangereux. Remplacez tout autocollant endommagé ou manquant.



Marque du fabricant

decaloemarkt

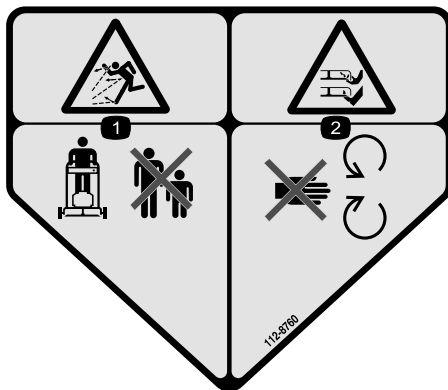
1. Cette marque identifie la lame comme pièce d'origine.



decal131-4514

131-4514

1. Attention – lisez le *Manuel de l'utilisateur*.
2. Risque de coupure/mutilation des mains par la lame de la tondeuse – ne vous approchez pas des pièces mobiles et gardez toutes les protections.
3. Risque de coupure/mutilation des mains par la lame de la tondeuse – débranchez le fil de la bougie avant d'effectuer tout entretien.
4. Risque de projection d'objets – n'autorisez personne à s'approcher de la machine.
5. Risque de coupure/mutilation des pieds par la lame de la tondeuse – ne travaillez pas dans le sens de la pente, mais transversalement ; coupez le moteur avant de quitter la machine ; ramassez les débris avant de tondre ; regardez derrière vous avant de tondre en marche arrière.



decal112-8760

112-8760

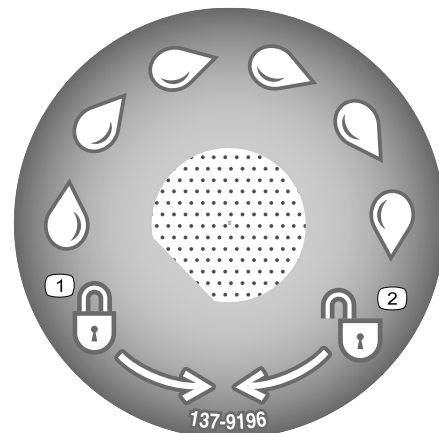
1. Risque de projection d'objets – n'autorisez personne à s'approcher de la machine.
2. Risque de coupure/mutilation des mains ou des pieds par la lame de la tondeuse – ne vous approchez pas des pièces mobiles.



decal119-2283

119-2283

1. Hauteur de coupe



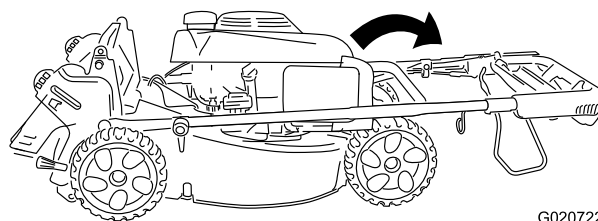
decal137-9196

137-9196

1. Verrouillage
2. Déverrouillage

# Mise en service

**Important:** Retirez et mettez au rebut la pellicule de plastique qui protège le moteur ainsi que tout autre emballage ou élément en plastique utilisé sur la machine.



G020722  
g020722

Figure 5

1

## Dépliage du guidon

Aucune pièce requise

### Procédure

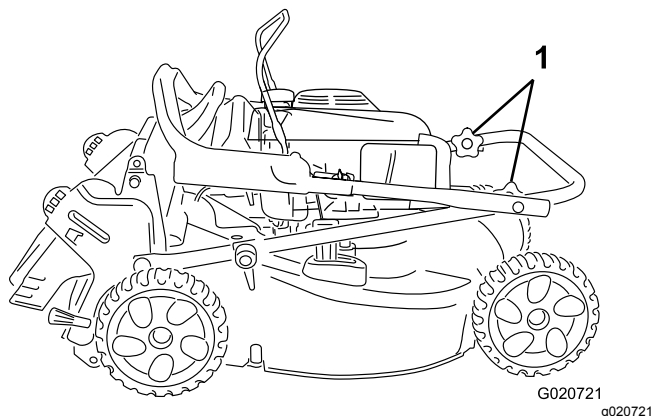
#### ⚠ ATTENTION

Vous risquez d'endommager les câbles et de rendre l'utilisation de la machine dangereuse si vous pliez ou déployez mal le guidon.

- Veillez à ne pas endommager les câbles en pliant ou dépliant le guidon.
- Si un câble est endommagé, contactez un concessionnaire-réparateur agréé.

**Important:** Retirez et mettez au rebut la pellicule de plastique qui protège le moteur ainsi que tout autre emballage ou élément en plastique utilisé sur la machine.

1. Desserrez les boutons du guidon (Figure 4).



G020721  
g020721

Figure 4

1. Boutons de guidon

2. Dépliez la moitié supérieure du guidon vers l'avant jusqu'à ce que les deux moitiés soient dans le prolongement l'une de l'autre et s'emmanchent ensemble correctement, comme montré à la Figure 5.

# 2

## Montage du câble du lanceur dans le guide

Aucune pièce requise

### Procédure

**Important:** Pour démarrer le moteur facilement et en toute sécurité chaque fois que vous utilisez la machine, placez le câble du lanceur dans le guide.

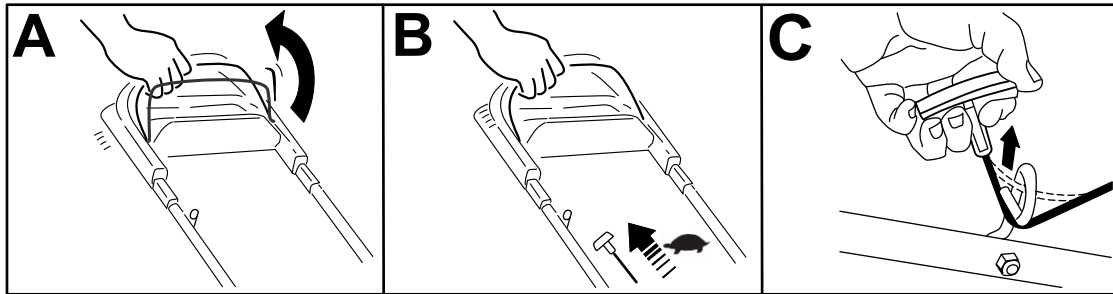


Figure 6

g230719

# 3

## Plein d'huile du carter moteur

Aucune pièce requise

### Procédure

**Important:** Si vous faites tourner le moteur alors que le niveau d'huile dans le carter est trop bas ou trop élevé, vous risquez d'endommager le moteur.

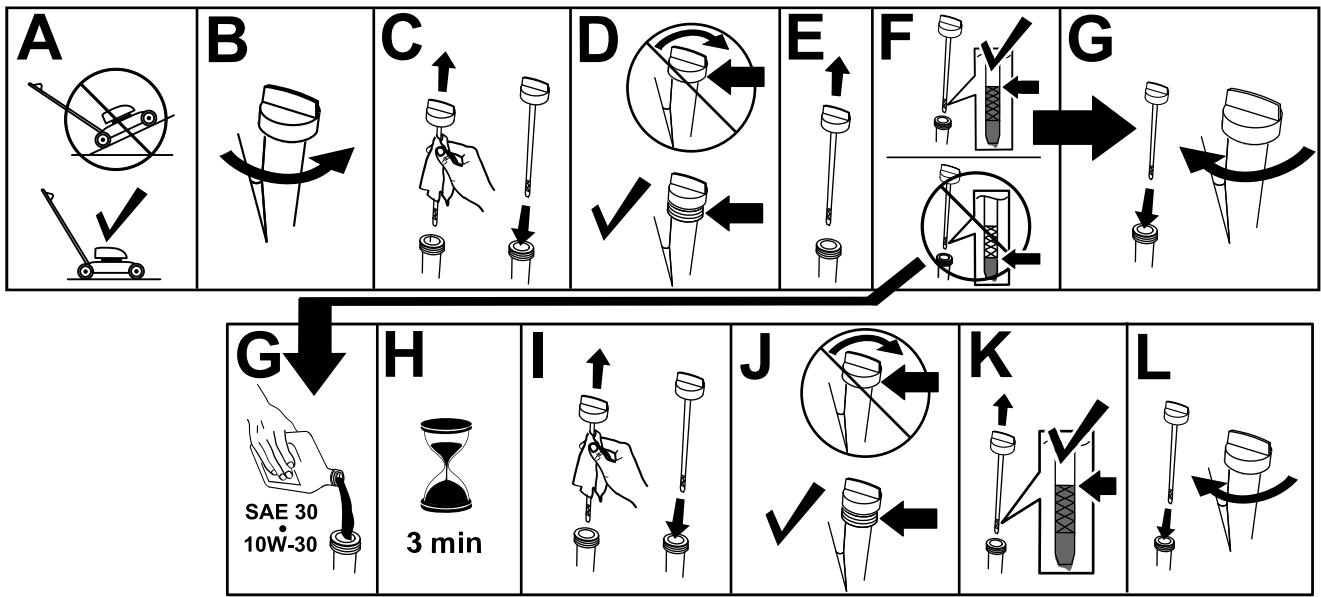


Figure 7

g235721

# 4

## Montage du bac à herbe

Aucune pièce requise

### Procédure

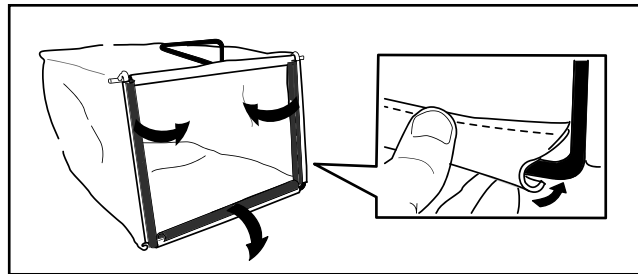


Figure 8

g241560

# Vue d'ensemble du produit

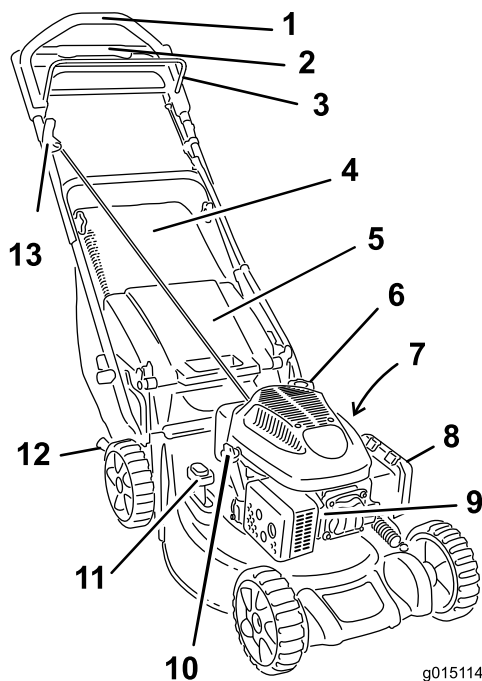


Figure 9

- |                                       |   |
|---------------------------------------|---|
| 1. Partie supérieure du guidon        | 8. Filtre à air                                 |
| 2. Poignée d'aide au déplacement      | 9. Bougie                                       |
| 3. Barre de commande de la lame       | 10. Tube de remplissage/jauge                   |
| 4. Bac à herbe                        | 11. Levier de commande de ramassage sur demande |
| 5. Déflecteur arrière                 | 12. Levier de hauteur de coupe (2)              |
| 6. Bouchon du réservoir de carburant  | 13. Poignée du lanceur                          |
| 7. Raccord de lavage (non représenté) |   |

## Caractéristiques techniques

Modèle	Poids	Longueur	Largeur	Hauteur
21681	39 kg	152 cm	53 cm	109 cm

# Utilisation

**Remarque:** Les côtés gauche et droit de la machine sont déterminés d'après la position d'utilisation normale.

## Avant l'utilisation

### Contrôles de sécurité avant l'utilisation

#### Consignes de sécurité générales

- Vous devez toujours couper le moteur, attendre l'arrêt complet de toutes les pièces mobiles et laisser refroidir la machine, avant de la régler, la nettoyer ou la remiser.
- Familiarisez-vous avec le maniement correct du matériel, les commandes et les symboles de sécurité.
- Vérifiez toujours que les capots et les dispositifs de sécurité, comme les déflecteurs et/ou les bacs à herbe, sont en place et en bon état.
- Vérifiez toujours que les lames et boulons de lames ne sont pas usés ni endommagés.
- Inspectez la zone de travail et débarrassez-la de tout objet pouvant gêner le fonctionnement de la machine ou être projeté pendant son utilisation.
- Le contact avec la lame en rotation peut causer des blessures graves. Ne mettez pas les doigts sous le carter de la tondeuse quand vous réglez la hauteur de coupe.

#### Consignes de sécurité concernant le carburant

- Le carburant est extrêmement inflammable et hautement explosif. Un incendie ou une explosion par du carburant peut vous brûler, ainsi que les personnes se tenant à proximité, et causer des dommages matériels.
  - Pour éviter que l'électricité statique n'enflamme le carburant, posez le récipient et/ou la machine directement sur le sol, pas dans un véhicule ou sur un support quelconque, avant de remplir le réservoir.
  - Faites le plein du réservoir de carburant à l'extérieur, dans un endroit bien dégagé, lorsque le moteur est froid. Essayez tout carburant répandu.
  - Ne fumez jamais quand vous manipulez du carburant et tenez-vous à l'écart des flammes nues ou des sources d'étincelles.

- N'enlevez pas le bouchon du réservoir de carburant et n'ajoutez pas de carburant quand le moteur tourne ou est encore chaud.
- Si vous renversez du carburant, ne mettez pas le moteur en marche à cet endroit. Évitez de créer des sources d'inflammation jusqu'à dissipation complète des vapeurs de carburant.
- Conservez le carburant dans un récipient homologué et hors de la portée des enfants.
- Le carburant est toxique et même mortel en cas d'ingestion. L'exposition prolongée aux vapeurs de carburant peut causer des blessures et des maladies graves.
  - Évitez de respirer les vapeurs de carburant de façon prolongée.
  - N'approchez pas les mains ni le visage du pistolet ou de l'ouverture du réservoir de carburant.
  - N'approchez pas le carburant des yeux et de la peau.

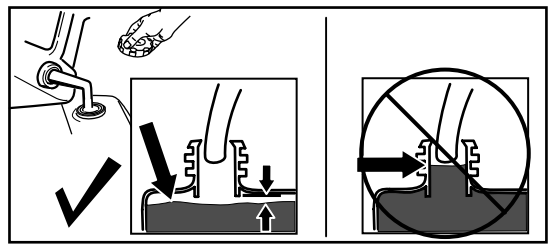


Figure 10

g230458

## Remplissage du réservoir de carburant

- Pour assurer le fonctionnement optimal de la machine, utilisez uniquement de l'essence sans plomb propre et fraîche avec un indice d'octane de 87 ou plus (méthode de calcul  $[R+M]/2$ ).
- L'utilisation de carburant oxygéné contenant jusqu'à 10 % d'éthanol ou 15 % de MTBE par volume est tolérée.
- N'utilisez **pas** de mélanges d'essence à l'éthanol (E15 ou E85 par exemple) avec plus de 10 % d'éthanol par volume. Cela peut entraîner des problèmes de performances et/ou des dégâts du moteur qui ne sont pas couverts par la garantie.
- N'utilisez **pas** d'essence contenant du méthanol.
- Ne stockez **pas** le carburant dans le réservoir ou dans des bidons de carburant pendant l'hiver, à moins d'y ajouter un stabilisateur de carburant.
- N'ajoutez **pas** d'huile à l'essence.

Faites le plein avec de l'essence sans plomb ordinaire fraîche d'une marque réputée (Figure 10).

**Important:** Pour réduire les problèmes de démarrage, ajoutez au carburant frais la quantité de stabilisateur/conditionneur indiquée par le fabricant du stabilisateur.

# Contrôle du niveau d'huile moteur

Périodicité des entretiens: À chaque utilisation ou une fois par jour

**Important:** Si vous faites tourner le moteur alors que le niveau d'huile dans le carter est trop bas ou trop élevé, vous risquez d'endommager le moteur.

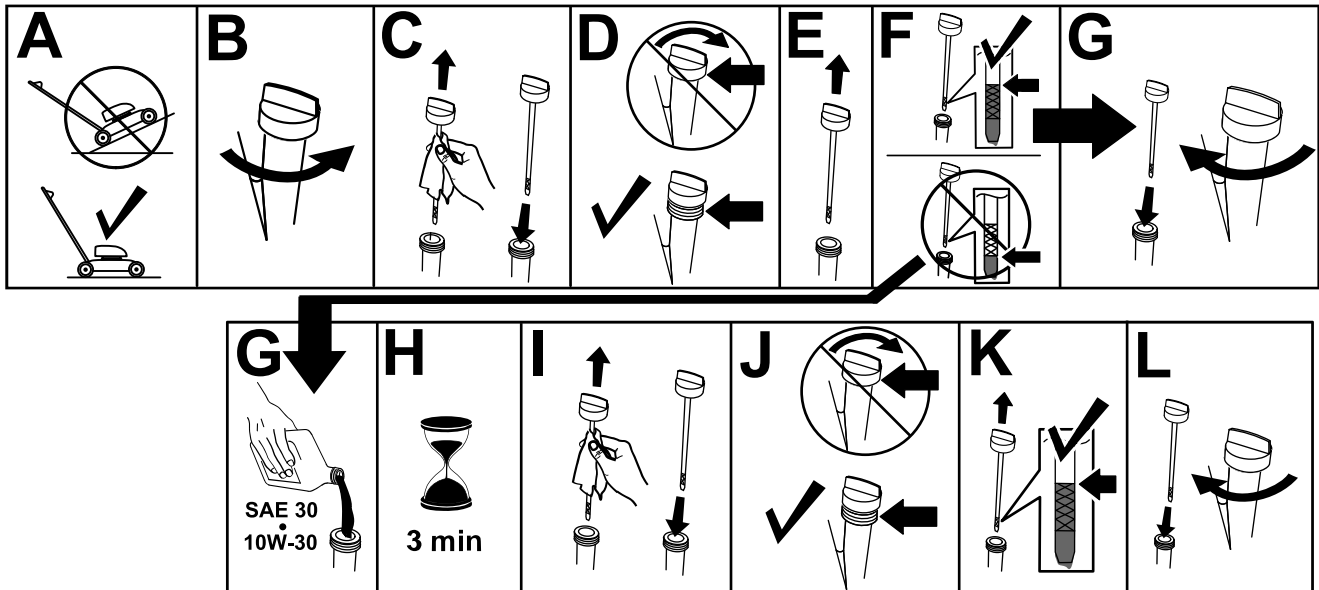


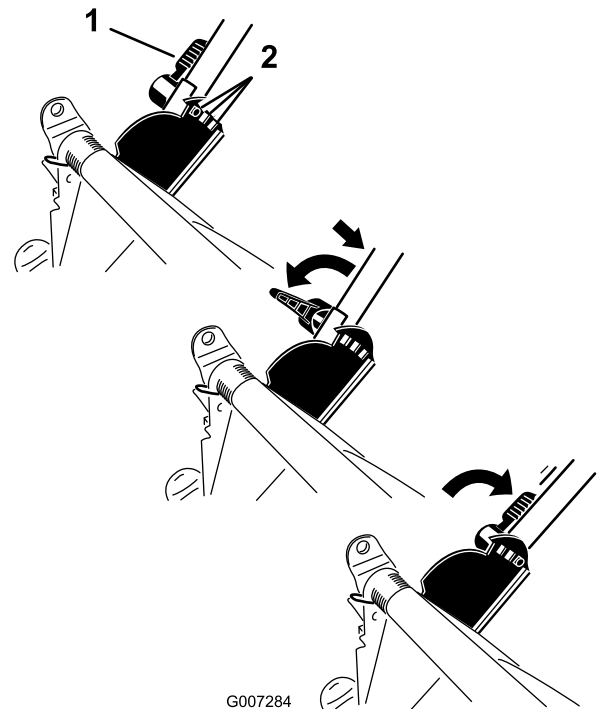
Figure 11

g235721

## Réglage de la hauteur du guidon

Vous pouvez élever ou abaisser le guidon à la position qui vous convient le mieux.

Tournez le verrou du guidon, réglez le guidon à l'une de trois positions, puis verrouillez-le à cette position (Figure 12).



G007284

g007284

Figure 12

1. Verrou du guidon

2. Positions du guidon



# Réglage de la hauteur de coupe

Choisissez la hauteur de coupe voulue. Réglez tous les leviers de hauteur de coupe à la même hauteur. Pour élever et abaisser la machine, voir [Figure 13](#).

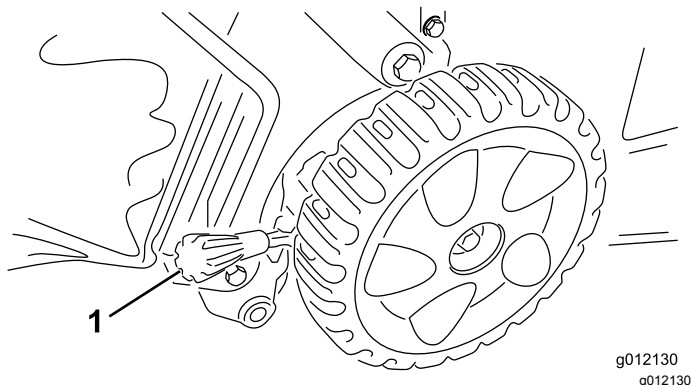


Figure 13

1. Levier de hauteur de coupe

**Important:** Les hauteurs de coupe suivantes sont disponibles : 25 mm, 38 mm, 51 mm, 64 mm, 83 mm, 95 mm et 108 mm.

## Pendant l'utilisation

## Consignes de sécurité pendant l'utilisation

### Consignes de sécurité générales

- Portez des vêtements appropriés, y compris une protection oculaire, un pantalon, des chaussures solides à semelle antidérapante et des protecteurs d'oreilles. Si vos cheveux sont longs, attachez-les et ne portez pas de vêtements amples ni de bijoux pendants.
- Accordez toute votre attention à l'utilisation de la machine. Ne faites rien d'autre qui puisse vous distraire, au risque de causer des dommages corporels ou matériels.
- N'utilisez pas la machine si vous êtes fatigué, malade ou sous l'emprise de l'alcool, de drogues ou de médicaments.
- La lame est tranchante et vous pouvez vous blesser gravement à son contact. Coupez le moteur et attendez l'arrêt complet de toutes les pièces mobiles avant de quitter la position d'utilisation.
- Lorsque vous relâchez la barre de commande de la lame, le moteur et la lame doivent s'arrêter

en moins de 3 secondes. Si ce n'est pas le cas, cessez immédiatement d'utiliser la machine et adressez-vous à un concessionnaire-réparateur agréé.

- N'admettez jamais personne dans le périmètre de travail. Veillez à ce que les enfants restent hors de la zone de travail, sous la garde d'un adulte responsable autre que l'utilisateur de la machine. Arrêtez la machine si quelqu'un entre dans la zone de travail.
- Vérifiez toujours que la voie est libre juste derrière la machine et sur sa trajectoire avant de faire marche arrière.
- N'utilisez la machine que si la visibilité est suffisante et les conditions météorologiques favorables. N'utilisez pas la machine si la foudre menace.
- En travaillant sur l'herbe ou les feuilles humides, vous risquez de glisser et de vous blesser gravement si vous touchez la lame en tombant. Évitez de tondre quand l'herbe est humide.
- Soyez particulièrement prudent à l'approche de tournants sans visibilité, de buissons, d'arbres ou d'autres objets susceptibles de masquer la vue.
- Ne dirigez pas l'éjection vers qui que ce soit. N'éjectez pas l'herbe coupée contre un mur ou un obstacle, car elle pourrait ricocher dans votre direction. Arrêtez la ou les lames quand vous passez sur du gravier.
- Méfiez-vous des trous, ornières, bosses, rochers ou autres obstacles cachés. Vous pouvez glisser ou perdre l'équilibre si le terrain est irrégulier.
- Si la machine a heurté un obstacle ou commence à vibrer, coupez immédiatement le moteur, attendez l'arrêt complet de toutes les pièces mobiles et débranchez le fil de la bougie avant de vérifier si la machine n'est pas endommagée. Effectuez toutes les réparations nécessaires avant de réutiliser la machine.
- Avant de quitter la position d'utilisation, coupez le moteur et attendez l'arrêt de toutes les pièces mobiles.
- Le moteur est très chaud s'il vient de tourner et peut alors vous brûler gravement. Ne vous approchez pas du moteur s'il est encore chaud.
- Ne faites tourner le moteur que dans des lieux bien aérés. Les gaz d'échappement contiennent du monoxyde de carbone dont l'inhalation est mortelle.
- Vérifiez fréquemment l'état des composants du bac à herbe et de la goulotte d'éjection, et remplacez-les par des pièces Toro d'origine au besoin.

## Consignes de sécurité pour l'utilisation sur des pentes

- Travaillez transversalement à la pente, jamais en montant ou descendant. Soyez extrêmement prudent lorsque vous changez de direction sur un terrain en pente.
- Ne tondez pas de pentes trop raides. Vous pourriez glisser et vous blesser en tombant.
- Faites preuve de prudence quand vous tondez à proximité de dénivellations, fossés ou berges.

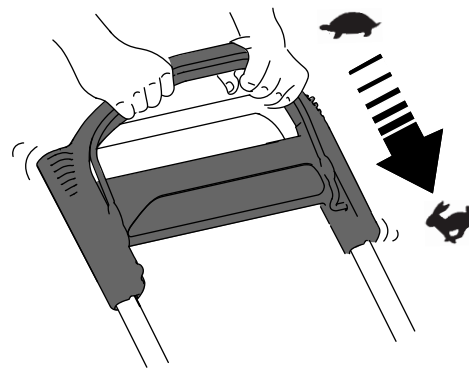


Figure 15

g233423

## Démarrage du moteur

1. Maintenez la barre de commande des lames contre le guidon (A de Figure 14).
2. Tirez légèrement la poignée du lanceur jusqu'à ce que vous sentiez une résistance, puis tirez vigoureusement et laissez le lanceur se rétracter lentement jusqu'au guide-câble sur le guidon (B de Figure 14).

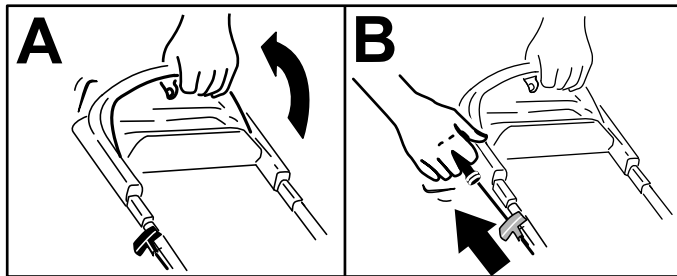


Figure 14

g230459

**Remarque:** Si le moteur ne démarre pas après plusieurs tentatives, contactez un concessionnaire-réparateur agréé.

## Utilisation de la commande d'autopropulsion

Pour actionner l'autopropulsion, il vous suffit d'avancer, les mains sur la partie supérieure du guidon et les coudes serrés ; la machine avance automatiquement à votre rythme (Figure 15).

**Remarque:** Si vous avez des difficultés à faire reculer la machine après avoir utilisé l'autopropulsion, immobilisez-vous, laissez vos mains en place et laissez la machine avancer de quelques centimètres pour désengager la transmission aux roues. Vous pouvez aussi essayer d'atteindre la poignée en métal, située juste sous la partie supérieure du guidon, et de pousser la machine en avant sur quelques centimètres. Si vous avez des difficultés à faire reculer la machine, contactez un concessionnaire-réparateur agréé.

## Arrêt du moteur

**Périodicité des entretiens:** À chaque utilisation ou une fois par jour

Pour arrêter le moteur, relâchez la barre de commande de la lame.

**Important:** Lorsque vous relâchez la barre de commande de la lame, le moteur et la lame doivent s'arrêter en moins de 3 secondes. Si ce n'est pas le cas, cessez immédiatement d'utiliser la machine et adressez-vous à un concessionnaire-réparateur agréé.

# Recyclage de l'herbe coupée

À la livraison, votre machine est prête à recycler l'herbe et les feuilles coupées pour nourrir votre pelouse.

Si le bac à herbe est monté sur la machine et si le levier de ramassage sur demande est en position de ramassage, placez le levier en position de recyclage ; voir [Utilisation du levier de ramassage sur demande \(page 12\)](#).

## Ramassage de l'herbe coupée

Utilisez le bac à herbe pour recueillir les débris d'herbe et de feuilles déposés sur la pelouse.

Si le levier de ramassage sur demande est en position de recyclage, placez-le en position de ramassage ; voir [Utilisation du levier de ramassage sur demande \(page 12\)](#).

## Montage du bac à herbe

1. Soulevez le déflecteur arrière et gardez-le dans cette position (A de la [Figure 16](#)).
2. Montez le bac à herbe en veillant à placer les ergots dans les crans du guidon (B de la [Figure 16](#)).
3. Abaissez le déflecteur arrière.

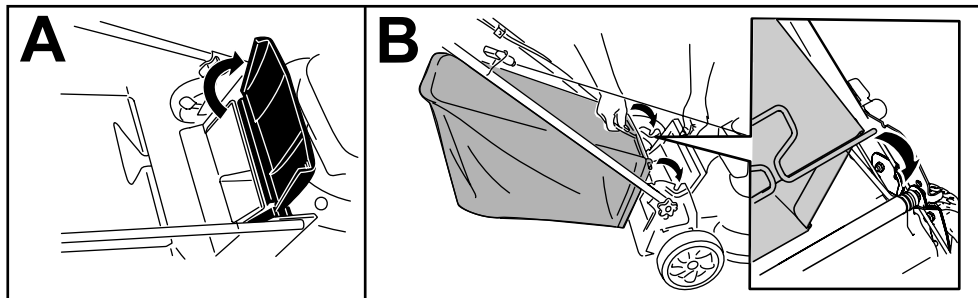


Figure 16

g233434

## Retrait du bac à herbe

Pour retirer le bac à herbe, inversez la procédure de montage décrite dans [Montage du bac à herbe \(page 12\)](#).

## Utilisation du levier de ramassage sur demande

La fonction de ramassage sur demande vous permet de ramasser ou de recycler les déchets d'herbe et de feuilles quand le bac à herbe est monté sur la machine.

- **Pour ramasser les déchets d'herbe et de feuilles**, appuyez sur le bouton du levier de ramassage sur demande et déplacez le levier en avant jusqu'à ce que le bouton ressorte ([Figure 17](#)).

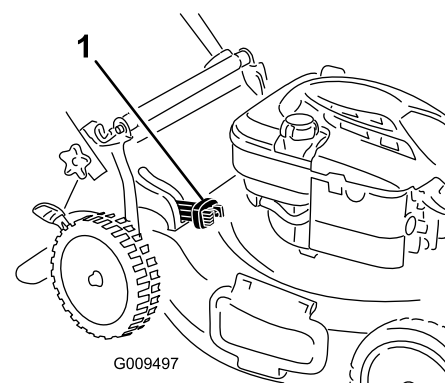


Figure 17

g009497

1. Levier de ramassage sur demande (en position de ramassage)

- **Pour recycler les déchets d'herbe et de feuilles**, appuyez sur le bouton du levier et déplacez le levier en arrière jusqu'à ce que le bouton ressorte.

**Important:** Pour que le ramassage s'effectue correctement, coupez le moteur, attendez l'arrêt de toutes les pièces mobiles, puis enlevez les déchets d'herbe et autres qui se trouvent sur le volet de ramassage sur demande et l'ouverture (Figure 18) avant de changer la position du levier de ramassage sur demande.

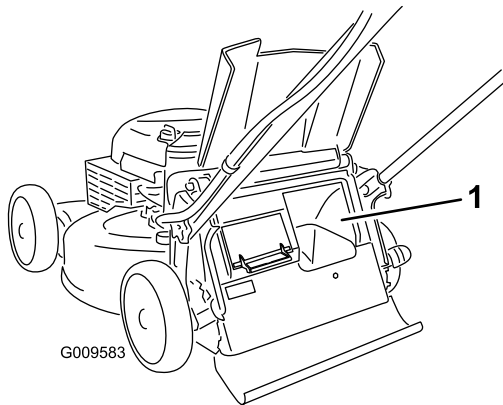


Figure 18

1. Nettoyer ici

## Éjection arrière de l'herbe coupée

Utilisez l'éjection arrière quand vous tondez de l'herbe très haute.

**Remarque:** Si le bac à herbe est monté sur la machine, enlevez-le avant de procéder à l'éjection arrière de l'herbe coupée ; voir [Retrait du bac à herbe \(page 12\)](#). Le levier de ramassage sur demande doit être en position RAMASSAGE comme montré à la Figure 16.

### ▲ ATTENTION

La lame est tranchante et vous pouvez vous blesser gravement à son contact.

Coupez le moteur et attendez l'arrêt complet de toutes les pièces mobiles avant de quitter la position d'utilisation.

## Conseils d'utilisation

### Conseils de tonte généraux

- Inspectez la zone de travail et débarrassez-la de tout objet pouvant être projeté par la machine.
- Évitez de heurter des obstacles avec la lame. Ne passez jamais intentionnellement sur un objet quel qu'il soit.

- Si la machine a heurté un obstacle ou commence à vibrer, coupez immédiatement le moteur, retirez la clé (selon l'équipement), débranchez le fil de la bougie et vérifiez si la machine n'est pas endommagée.
- Pour obtenir des résultats optimaux, remplacez la lame au début de la saison de tonte.
- Remplacez la lame dès que nécessaire par une lame Toro d'origine.

## La tonte

- Ne tondez l'herbe que sur un tiers de sa hauteur à chaque fois. N'utilisez pas une hauteur de coupe inférieure à 51 mm, sauf si l'herbe est clairsemée ou à la fin de l'automne quand la pousse commence à ralentir.
- Si l'herbe fait plus de 15 cm, effectuez un premier passage à vitesse réduite à la hauteur de coupe la plus haute. Effectuez ensuite un deuxième passage à une hauteur de coupe inférieure pour obtenir une coupe plus esthétique. L'herbe trop haute risque d'obstruer la machine et de faire caler le moteur.
- L'herbe et les feuilles humides ont tendance à s'agglomérer sur la pelouse et peuvent obstruer la machine et faire caler le moteur. Évitez de tondre quand l'herbe est humide.
- Soyez conscient des risques d'incendie par temps très sec, respectez tous les avertissements locaux relatifs aux incendies, et ne laissez pas l'herbe et les feuilles sèches s'accumuler sur la machine.
- Alternez la direction de la tonte. Cela permet de disperser les déchets plus uniformément et d'obtenir une fertilisation plus homogène.
- Si l'aspect de la pelouse tondu n'est pas satisfaisant, essayez une ou plusieurs des solutions suivantes :
  - Remplacez la lame ou faites-la aiguiser.
  - Tondez en avançant plus lentement.
  - Augmentez la hauteur de coupe.
  - Tondez plus souvent.
  - Empiétez sur les passages précédents pour tondre une largeur de bande réduite.

## Hachage des feuilles

- Après la tonte, 50 % de la pelouse doit être visible sous la couche de feuilles hachées. Vous devrez peut-être repasser plusieurs fois sur les feuilles.
- Si la couche de feuilles sur la pelouse fait plus de 13 cm d'épaisseur, utilisez une hauteur de coupe plus élevée, puis faites un second passage à la hauteur de coupe désirée.
- Ralentissez la vitesse de tonte si les feuilles ne sont pas hachées assez menues.

# Après l'utilisation

## Consignes de sécurité après l'utilisation

### Consignes de sécurité générales

- Vous devez toujours couper le moteur, attendre l'arrêt complet de toutes les pièces mobiles et laisser refroidir la machine, avant de la régler, la nettoyer ou la remiser.
- Pour éviter les risques d'incendie, enlevez les brins d'herbe et autres débris qui sont agglomérés sur la machine. Nettoyez les coulées éventuelles d'huile ou de carburant.
- Ne remisez jamais la machine ni les bidons de carburant à proximité d'une flamme nue, d'une source d'étincelles ou d'une veilleuse, telle que celle d'un chauffe-eau ou d'autres appareils.

### Consignes de sécurité relative au transport

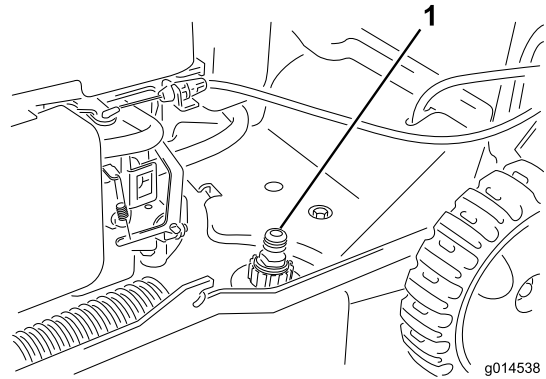
- Faites preuve de prudence pour le chargement ou le déchargement de la machine.
- Empêchez la machine de rouler.

## Nettoyage du dessous de la machine

**Périodicité des entretiens:** À chaque utilisation ou une fois par jour

Pour obtenir des résultats optimaux, nettoyez rapidement la machine après la tonte.

1. Abaissez la machine à la hauteur de coupe la plus basse. Voir [Réglage de la hauteur de coupe \(page 10\)](#).
2. Garez la machine sur un sol plat et horizontal.
3. Branchez un tuyau d'arrosage, relié à une arrivée d'eau, au raccord de lavage ([Figure 19](#)).



**Figure 19**

1. Raccord de lavage

- 
4. Ouvrez l'arrivée d'eau.
  5. Mettez le moteur en marche et laissez-le tourner jusqu'à ce qu'il ne reste plus d'herbe sous la machine.
  6. Coupez le moteur.
  7. Coupez l'eau et débranchez le tuyau d'arrosage du raccord de lavage.
  8. Mettez le moteur en marche et laissez-le tourner quelques minutes pour sécher le dessous de la machine.
  9. Arrêtez le moteur et laissez-le refroidir.

# Pliage du guidon

## ⚠ ATTENTION

Vous risquez d'endommager les câbles et de rendre l'utilisation de la machine dangereuse si vous pliez ou dépliez mal le guidon.

- Veillez à ne pas endommager les câbles en pliant ou dépliant le guidon.
- Si un câble est endommagé, contactez un concessionnaire-réparateur agréé.

1. Desserrez les boutons du guidon.
2. Faites pivoter tout le guidon en avant (Figure 20).

**Important:** Repoussez les câbles à l'extérieur des boutons pendant que vous pliez la moitié supérieure du guidon.

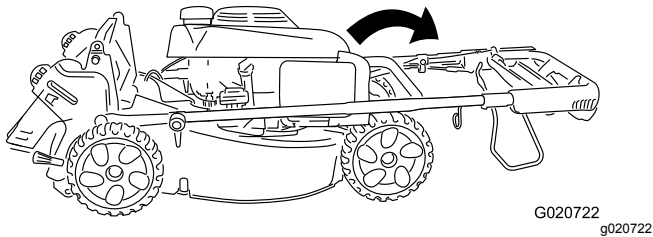


Figure 20

3. Rabattez la partie supérieure du guidon vers le moteur ; voir Figure 21.

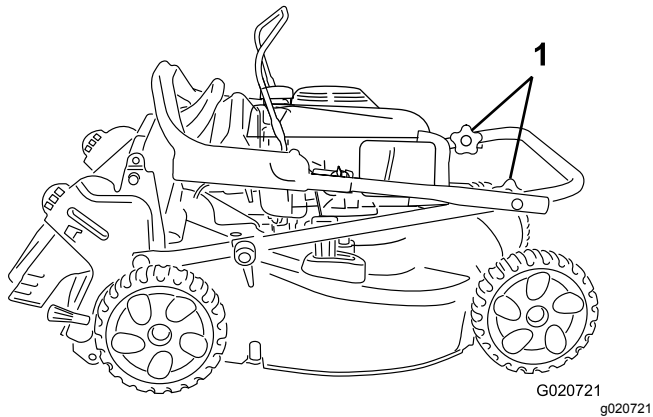


Figure 21

1. Boutons de guidon

# Entretien

## Programme d'entretien recommandé

Périodicité d'entretien	Procédure d'entretien
Après les 5 premières heures de fonctionnement	<ul style="list-style-type: none"><li>• Vidangez l'huile moteur.</li></ul>
À chaque utilisation ou une fois par jour	<ul style="list-style-type: none"><li>• Contrôlez le niveau d'huile moteur et faites l'appoint si nécessaire.</li><li>• Vérifiez que le moteur s'arrête dans les 3 secondes suivant le relâchement de la barre de commande de la lame.</li><li>• Enlevez l'herbe coupée et autres débris accumulés sous la machine.</li></ul>
Toutes les 100 heures	<ul style="list-style-type: none"><li>• Faites l'entretien de la bougie.</li></ul>
Une fois par an	<ul style="list-style-type: none"><li>• Faites l'entretien du filtre à air.</li><li>• Vidangez l'huile moteur.</li><li>• Remplacez la lame ou faites-la aiguiser (plus souvent si elle s'émousse rapidement).</li><li>• Nettoyez le moteur en enlevant les saletés et les débris sur le sommet et les côtés ; nettoyez-le plus fréquemment si vous travaillez dans une atmosphère poussiéreuse.</li></ul>
Une fois par an ou avant le remisage	<ul style="list-style-type: none"><li>• Vidangez le réservoir de carburant avant le remisage annuel et avant les réparations qui le nécessitent.</li></ul>

## Consignes de sécurité pendant l'entretien

- Débranchez le fil de la bougie avant de procéder à un quelconque entretien.
- Portez des gants et une protection oculaire pour faire l'entretien de la machine.
- La lame est tranchante et vous pouvez vous blesser gravement à son contact. Portez des gants pour effectuer l'entretien de la lame. Ne réparez pas et ne modifiez pas les lames.
- N'enlevez pas et ne modifiez pas les dispositifs de sécurité. Vérifiez régulièrement qu'ils fonctionnent correctement.
- Du carburant peut s'échapper lorsque la machine est basculée sur le côté. Le carburant est inflammable et explosif, et peut causer des blessures. Laissez tourner le moteur jusqu'à ce qu'il s'arrête faute de carburant ou vidangez le reste de carburant avec une pompe manuelle, jamais avec un siphon.
- Pour garantir un rendement optimal de la machine, utilisez uniquement des pièces de rechange et accessoires Toro d'origine. Les pièces de rechange et accessoires provenant d'autres constructeurs peuvent être dangereux, et leur utilisation risque d'annuler la garantie de la machine.

## Préparation à l'entretien

1. Coupez le moteur et attendez l'arrêt complet de toutes les pièces mobiles.
2. Débranchez le fil de la bougie (Figure 22).

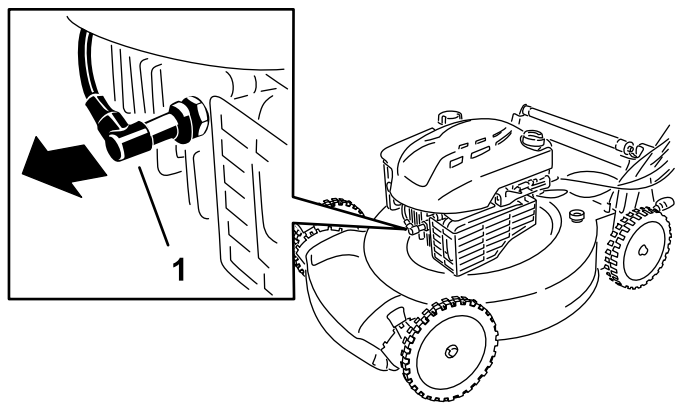


Figure 22

g236094

1. Fil de bougie
3. Rebranchez le fil de la bougie une fois l'entretien terminé.

**Important:** Avant de basculer la machine pour vidanger l'huile ou remplacer la lame, laissez le moteur en marche jusqu'à ce qu'il s'arrête faute de carburant. Si vous ne pouvez pas attendre que le moteur s'arrête par manque de carburant, utilisez une pompe manuelle pour vider le reste de carburant. Basculez toujours la machine sur le côté (jauge en bas).

# Entretien du filtre à air

**Périodicité des entretiens:** Une fois par an

1. Appuyez sur les languettes de verrouillage en haut du couvercle du filtre à air (Figure 23).

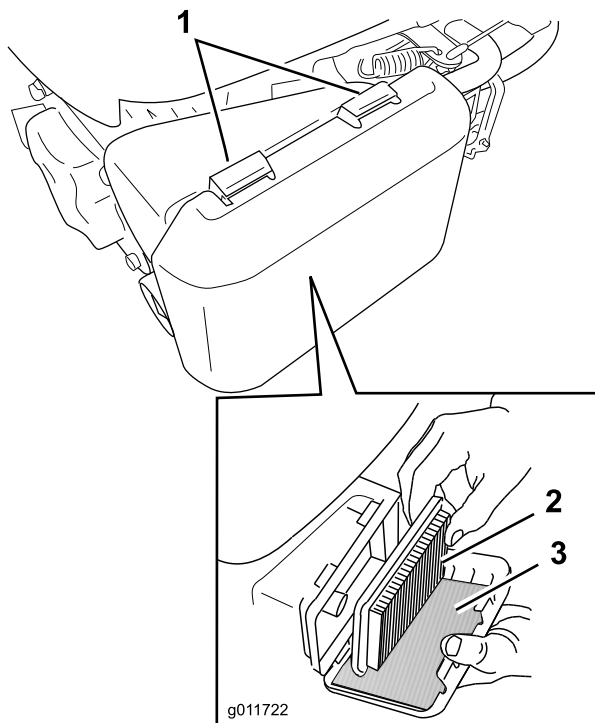


Figure 23

1. Languettes de verrouillage
2. Élément en papier du filtre à air
3. Préfiltre en mousse

2. Ouvrez le couvercle.
3. Retirez l'élément en papier et le préfiltre en mousse (Figure 23).
4. Vérifier l'état du préfiltre en mousse et remplacez-le s'il est endommagé ou excessivement encrassé.
5. Examinez l'élément en papier.
  - Remplacez le filtre à air s'il est endommagé ou humidifié par de l'huile ou de l'essence.
  - Si le filtre à air est encrassé, tapotez-le à plusieurs reprises sur une surface dure ou soufflez de l'air comprimé à moins de 2,07 bar par le côté du filtre qui est face au moteur.

**Remarque:** Ne brossez pas le filtre pour le débarrasser des impuretés, car cela aura pour effet d'incruster les impuretés dans les fibres.

6. Avec un chiffon humide, essuyez la poussière sur le boîtier et le couvercle du filtre à air.

**Important:** Ne faites pas pénétrer de poussière dans le conduit d'air.

7. Insérez le préfiltre en mousse et l'élément en papier dans le filtre à air.
8. Remettez le couvercle en place.

# Vidange de l'huile moteur

**Périodicité des entretiens:** Après les 5 premières heures de fonctionnement

Une fois par an

**Remarque:** Faites tourner le moteur pendant quelques minutes avant la vidange pour réchauffer l'huile. L'huile chaude s'écoule plus facilement et entraîne plus d'impuretés.

## Huile moteur spécifiée

Capacité d'huile moteur	0,55 l
Viscosité d'huile	Huile détergente SAE 30 ou SAE 10W-30
Classe de service API	SJ ou mieux

1. Amenez la machine sur un sol plat et horizontal.
2. Voir [Préparation à l'entretien \(page 16\)](#).
3. Tournez le bouchon dans le sens antihoraire et sortez la jauge (Figure 24).

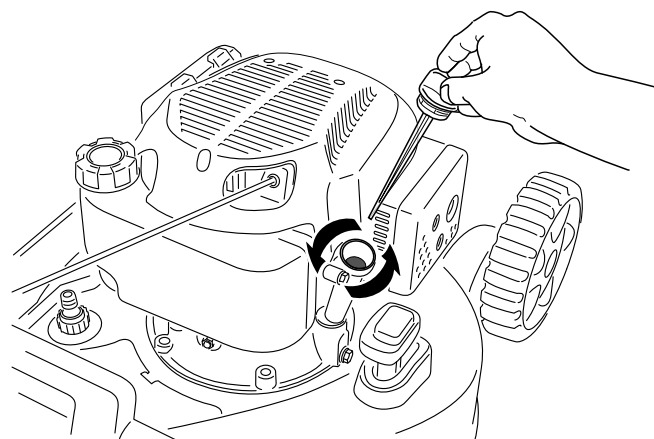


Figure 24

4. Basculez la machine sur le côté (filtre à air en haut) pour vidanger l'huile usagée par le tube de remplissage (Figure 24).



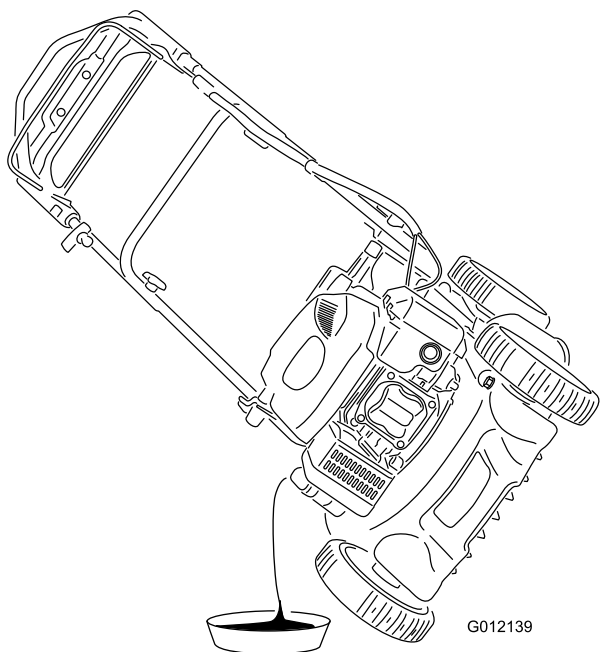


Figure 25

g012139

## Entretien de la bougie

**Périodicité des entretiens:** Toutes les 100 heures

Utilisez une bougie **Champion RL87YC** ou de type équivalent.

1. Coupez le moteur et attendez l'arrêt complet de toutes les pièces mobiles.
2. Débranchez le fil de la bougie (Figure 22).
3. Nettoyez la surface autour de la bougie.
4. Retirez la bougie de la culasse.

**Important:** Remplacez la bougie si elle est fissurée, calaminée ou encrassée. Ne nettoyez pas les électrodes, car des particules pourraient tomber dans la culasse et endommager le moteur.

5. Réglez l'écartement des électrodes à 0,76 mm, comme montré à la Figure 26.

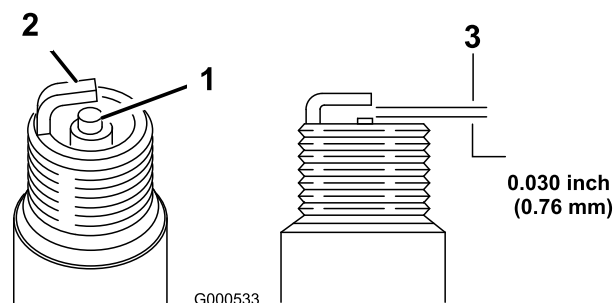


Figure 26

g000533

1. Bec isolant d'électrode centrale
2. Électrode latérale
3. Écartement (pas à l'échelle)

5. Redressez la machine après avoir vidangé l'huile usagée.
6. Versez avec précaution 75 % environ de la capacité d'huile moteur dans le tube de remplissage d'huile.
7. Attendez 3 minutes pour donner le temps à l'huile de se stabiliser dans le moteur.
8. Essuyez la jauge sur un chiffon propre.
9. Insérez la jauge au fond du tube de remplissage, **sans la visser**, puis ressortez-la.
10. Relevez le niveau d'huile indiqué sur la jauge ( [Contrôle du niveau d'huile moteur \(page 9\)](#) ).
  - Si le niveau n'atteint pas le repère minimum sur la jauge, versez lentement une petite quantité d'huile dans le tube de remplissage, attendez 3 minutes puis répétez les opérations 8 à 10 jusqu'à atteindre un niveau d'huile correct.
  - Si le niveau d'huile est trop élevé, vidangez l'excédent d'huile jusqu'à obtention du niveau d'huile correct sur la jauge.

**Important:** Si vous faites tourner le moteur alors que le niveau d'huile dans le carter est trop bas ou trop élevé, vous risquez d'endommager le moteur.

11. Insérez et vissez solidement la jauge dans le tube de remplissage.
12. Recyclez l'huile usagée conformément à la réglementation locale en matière d'environnement.

6. Posez la bougie.
7. Serrez la bougie à 20 N·m.
8. Rebranchez le fil de la bougie.

# Remplacement de la lame

Périodicité des entretiens: Une fois par an

**Important:** Vous aurez besoin d'une clé dynamométrique pour monter la lame correctement. Si vous n'en possédez pas ou si vous ne vous sentez pas capable d'effectuer cette procédure, adressez-vous à un concessionnaire-réparateur agréé.

Examinez l'état de la lame chaque fois que le réservoir de carburant est vide. Si la lame est endommagée ou fêlée, remplacez-la immédiatement. Si la lame est émoussée ou ébréchée, faites-la aiguiser et équilibrer ou remplacez-la.

## ⚠ ATTENTION

La lame est tranchante et vous pouvez vous blesser gravement à son contact.

Portez des gants pour effectuer l'entretien de la lame.

1. Voir [Préparation à l'entretien \(page 16\)](#).
2. Basculez la machine sur le côté (filtre à air en haut).
3. Immobilisez la lame avec un morceau de bois ([Figure 27](#)).

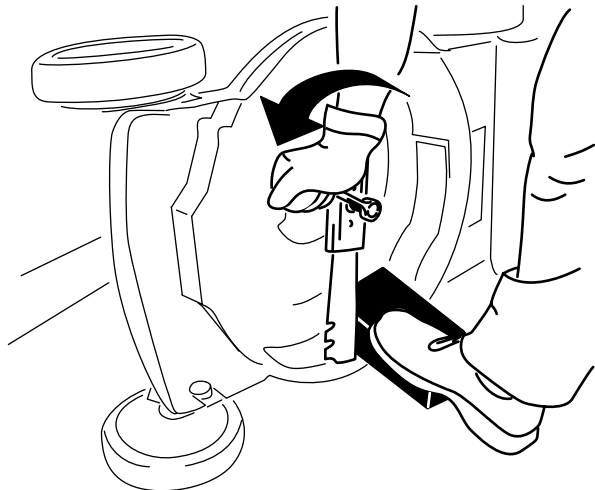


Figure 27

g231389

4. Déposez la lame mais ne jetez pas les fixations ([Figure 27](#)).
5. Montez la nouvelle lame et toutes les fixations ([Figure 28](#)).

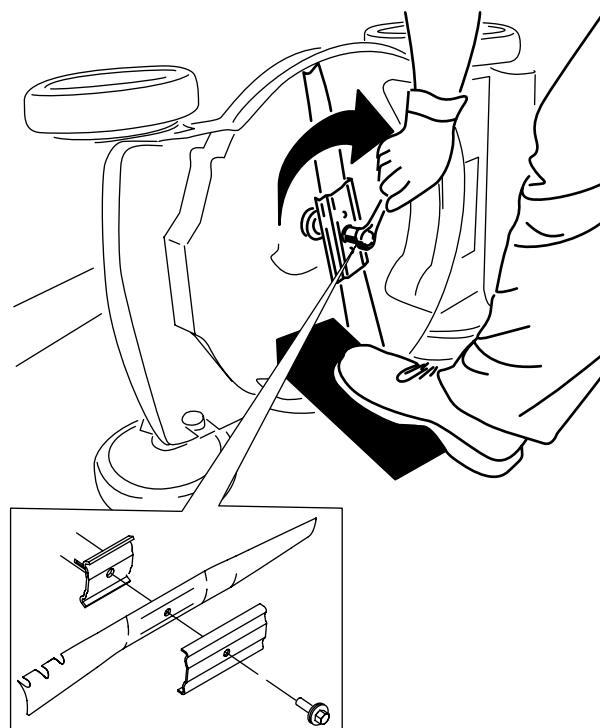


Figure 28

g231390

**Important:** Les extrémités relevées de la lame doivent être dirigées vers la tondeuse.

6. À l'aide d'une clé dynamométrique, serrez le boulon de la lame à 82 N·m.

**Important:** Un boulon vissé à 82 N·m est très serré. Bloquez la lame avec une cale en bois, appuyez de tout votre poids sur le rochet ou la clé, et serrez le boulon solidement. Il est pratiquement impossible de trop serrer ce boulon.

# Réglage de l'autopropulsion

## Modèles autopropulsés seulement

Lorsque vous remplacez un câble de commande d'autopropulsion ou que l'autopropulsion est dérégulée, vous devez régler la commande d'autopropulsion.

1. Tournez l'écrou de réglage dans le sens antihoraire pour desserrer le réglage du câble (Figure 29).

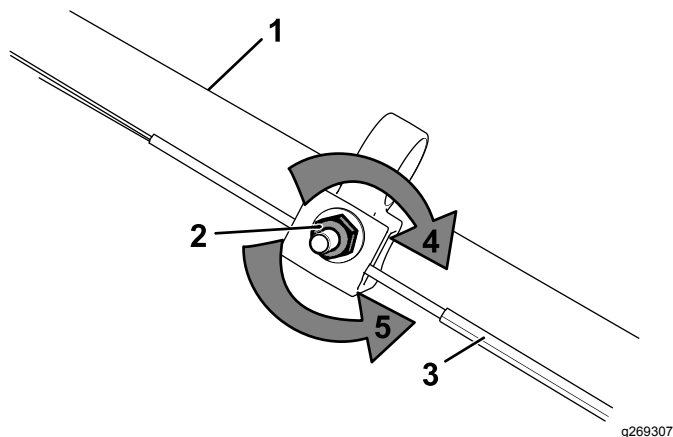


Figure 29

- |                           |  |
|---------------------------|--|
| 1. Guidon (côté gauche)   | 4. Tourner l'écrou dans le sens horaire pour serrer le réglage         |
| 2. Écrou de réglage       | 5. Tourner l'écrou dans le sens antihoraire pour desserrer le réglage. |
| 3. Câble d'autopropulsion |  |

2. Ajustez la tension du câble (Figure 29) en le tirant en arrière ou en le poussant en avant puis en le maintenant à cette position.

**Remarque:** Poussez le câble vers le moteur pour accroître la traction et éloignez-le du moteur pour réduire la traction.

3. Tournez l'écrou de réglage dans le sens horaire pour serrer le réglage du câble.

**Remarque:** Serrez l'écrou solidement avec une clé à douille ou à molette.

# Remisage

Remisez la machine dans un local frais, propre et sec.

## Consignes de sécurité pour le remisage

Vous devez toujours couper le moteur, attendre l'arrêt complet de toutes les pièces mobiles et laisser refroidir la machine, avant de la régler, la nettoyer ou la remiser.

## Préparation de la machine au remisage

1. Lors du dernier plein de l'année, ajoutez du stabilisateur (tel l'additif de traitement Toro Premium) au carburant frais selon les indications de l'étiquette.
2. Débarrassez-vous correctement du carburant inutilisé. Recyclez-le conformément à la réglementation locale ou utilisez-le dans une voiture.

**Important:** La présence de carburant trop vieux dans le réservoir est la principale cause des problèmes de démarrage. Ne conservez pas le carburant non additionné de stabilisateur plus de 30 jours. Ne conservez pas le carburant stabilisé au-delà de la durée recommandée par le fabricant du stabilisateur.

3. Laissez tourner le moteur de la machine jusqu'à ce qu'il s'arrête faute de carburant.
4. Remettez le moteur en marche et laissez-le tourner jusqu'à ce qu'il s'arrête. Le moteur est suffisamment sec lorsqu'il n'y a plus moyen de le faire démarrer.
5. Débranchez le fil de la bougie et branchez-le au plot de retenue (selon l'équipement).
6. Retirez la bougie et versez 30 ml d'huile moteur dans l'orifice. Tirez ensuite la poignée du lanceur lentement à plusieurs reprises pour bien répartir l'huile à l'intérieur du cylindre et empêcher celui-ci de rouiller pendant le remisage de la machine.
7. Reposez la bougie sans la serrer.
8. Serrez tous les écrous, boulons et vis.

# Remise en service après remisage

1. Contrôlez et resserrez toutes les fixations.
2. Déposez la bougie et faites tourner le moteur rapidement en tirant sur la poignée du lanceur pour éliminer l'excédent d'huile dans le cylindre.
3. Reposez et serrez la bougie à 20 N·m à l'aide d'une clé dynamométrique.
4. Procédez aux entretiens ; voir [Entretien \(page 16\)](#).
5. Contrôlez le niveau d'huile moteur ; voir [Contrôle du niveau d'huile moteur \(page 9\)](#).
6. Remplissez le réservoir de carburant neuf ; voir [Remplissage du réservoir de carburant \(page 8\)](#).
7. Rebranchez le fil de la bougie.

## **Déclaration de confidentialité EEE/R-U**

### **Utilisation de vos renseignements personnels par Toro**

La société The Toro Company (« Toro ») respecte votre vie privée. Lorsque vous achetez un de nos produits, nous pouvons recueillir certains renseignements personnels vous concernant, soit directement soit par l'intermédiaire de votre société ou concessionnaire Toro local(e). Toro utilise ces informations pour respecter ses obligations contractuelles, par exemple pour enregistrer votre garantie, traiter une réclamation au titre de la garantie ou vous contacter dans l'éventualité d'un rappel de produit, mais aussi à des fins commerciales légitimes, par exemple pour mesurer la satisfaction des clients, améliorer nos produits ou vous transmettre des informations produit susceptibles de vous intéresser. Toro pourra partager les renseignements personnels que vous lui aurez communiqués avec les filiales, concessionnaires ou autres associés Toro en rapport avec ces activités. Nous pourrions aussi divulguer des renseignements personnels lorsque la loi l'exige ou dans le cadre de la vente, l'acquisition ou la fusion d'une entreprise. Nous ne vendrons jamais vos renseignements personnels à aucune autre société à des fins commerciales.

### **Conservation de vos renseignements personnels**

Toro conservera vos renseignements personnels aussi longtemps que nécessaire pour répondre aux fins susmentionnées et conformément aux dispositions légales. Pour plus de renseignements sur les durées de conservation applicables, veuillez contacter [legal@toro.com](mailto:legal@toro.com).

### **L'engagement de Toro concernant la sécurité**

Vos renseignements personnels peuvent être traités aux États-Unis ou dans tout autre pays où la législation concernant la protection des données peut être moins rigoureuse que celle de votre propre pays de résidence. Chaque fois que nous transférerons vos renseignements hors de votre pays de résidence, nous prendrons toutes les dispositions légales requises pour mettre en place toutes les garanties nécessaires visant à la protection et au traitement sécurisé de vos renseignements.

### **Consultation et correction**

Vous pouvez avoir le droit de corriger ou consulter vos données personnelles, ou vous opposer au ou limiter le traitement de vos données. Pour ce faire, veuillez nous contacter par courriel à [legal@toro.com](mailto:legal@toro.com). Si vous avez des doutes sur la manière dont Toro a traité vos renseignements, nous vous encourageons à nous en faire part directement. Veuillez noter que les résidents européens ont le droit de se plaindre auprès de leur Autorité de protection des données.



**Count on it.**



# 48 cm Super Recycler® gazonmaaier

Modelnr.: 21681—Serienr.: 40000000 en hoger

## Gebruikershandleiding

## Inleiding

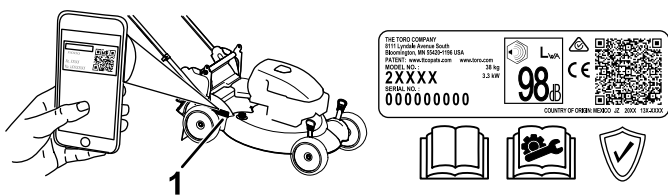
Deze loopmaaier met draaiende messen is bedoeld voor gebruik door particulieren. De machine is voornamelijk ontworpen voor het maaien van gras op goed onderhouden particuliere gazons.

Lees deze informatie zorgvuldig door, zodat u weet hoe u de machine op de juiste wijze moet gebruiken en onderhouden en om letsel en schade aan de machine te voorkomen. U bent verantwoordelijk voor het juiste en veilige gebruik van de machine.

Ga naar [www.Toro.com](http://www.Toro.com) voor meer informatie, inclusief veiligheidstips, instructiemateriaal, informatie over accessoires, hulp bij het vinden van een dealer of om uw product te registreren.

Als u service, originele Toro onderdelen of aanvullende informatie nodig hebt, kunt u contact opnemen met een erkende servicedealer of met de klantenservice van Toro. U dient hierbij altijd het modelnummer en het serienummer van het product te vermelden. De locatie van het plaatje met het modelnummer en het serienummer van het product is aangegeven op [Figuur 1](#). U kunt de nummers noteren in de ruimte hieronder.

**Belangrijk:** U kunt met uw mobiel apparaat de QR-code op het plaatje met het serienummer (indien aanwezig) scannen om toegang te krijgen tot de garantie, onderdelen en andere productinformatie.



Figuur 1

1. Plaats van modelnummer en serienummer

Modelnr.: _____
Serienr.: _____

Er worden in deze handleiding een aantal mogelijke gevaren en een aantal veiligheidsberichten genoemd

([Figuur 2](#)) met de volgende waarschuwingssymbolen, die duiden op een gevaarlijke situatie die zwaar lichamelijk letsel of de dood tot gevolg kan hebben wanneer de veiligheidsvoorschriften niet in acht worden genomen.



Figuur 2

Waarschuwingssymbool

g000502

Er worden in deze handleiding twee woorden gebruikt om uw aandacht op bijzondere informatie te vestigen. **Belangrijk** attendeert u op bijzondere technische informatie en **Opmerking** duidt algemene informatie aan die bijzondere aandacht verdient.

Dit product voldoet aan alle relevante Europese richtlijnen; zie voor details de aparte productspecifieke conformiteitsverklaring.

**Bruto- en nettokoppel:** Het bruto- en nettokoppel van deze motor is door de motorfabrikant in laboratoriumomstandigheden gemeten volgens standaard J1940 of J2723 van de Society of Automotive Engineers (SAE). Omdat bij de configuratie rekening is gehouden met de veiligheids- en gebruiksvoorschriften, zal dit type maaiers in de praktijk een veel lager motorkoppel hebben. Raadpleeg de informatie van de motorfabrikant die wordt meegeleverd met de machine.

Gelieve niet te knoeien met de veiligheidsvoorzieningen of deze uit te schakelen. Controleer ook regelmatig dat deze nog werken. Probeer het afgesteld motortoerental niet te veranderen, anders kan er een onveilige situatie ontstaan waardoor u letsel kunt oplopen.

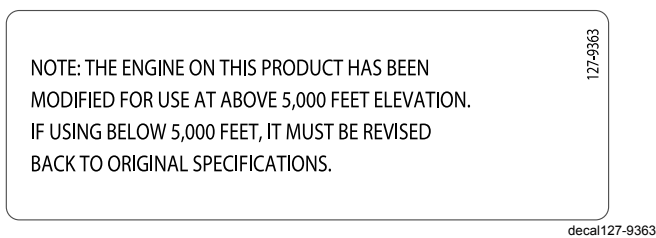
**Belangrijk:** Als u deze machine gedurende een ononderbroken periode boven 1.500 m gebruikt, moet u ervoor zorgen dat de set voor grote hoogte is gemonteerd zodat de motor voldoet aan de CARB- en EPA-emissierichtlijnen. De set voor grote hoogte vergroot de motorprestaties en voorkomt vervuiling van de bougie, moeilijk starten en grotere emissies. Zodra u de set hebt gemonteerd, dient u het label voor grote hoogte op de machine te bevestigen naast de sticker



met het serienummer. Neem contact op met een erkende Toro servicedealer om de geschikte set voor grote hoogte en het label voor grote hoogte voor uw machine te verkrijgen. Om een dealer in uw buurt te vinden, kunt u kijken op onze website [www.Toro.com](http://www.Toro.com) of contact opnemen met onze Toro Customer Care Departement op het nummer dat is opgegeven in de garantieverklaring voor het emissiecontrolesysteem.

Verwijder de set van de motor en zet de motor terug naar zijn originele fabrieksinstelling als u de motor gebruikt onder 1.500 m. Gebruik geen motor die geschikt is gemaakt voor gebruik op grote hoogte op lagere hoogtes; anders kan de motor oververhit raken en worden beschadigd.

Indien u niet zeker bent of uw machine geschikt is gemaakt voor gebruik op grote hoogte, moet u zoeken naar het volgende label:



## Inhoud

Inleiding .....	1
Veiligheid .....	2
Algemene veiligheid .....	2
Veiligheids- en instructiestickers .....	3
Montage .....	4
1 De handgreep uitklappen .....	4
2 De startkoord aanbrengen in de koordgeleider .....	5
3 Het carter met olie bijvullen .....	5
4 De grasvanger monteren .....	6
Algemeen overzicht van de machine .....	7
Specificaties .....	7
Gebruiksaanwijzing .....	7
Voor gebruik .....	7
Veiligheid vóór gebruik .....	7
Brandstoftank vullen .....	8
Het motoroliepeil controleren .....	8
Hoogte van handgreep instellen .....	9
De maaihoogte instellen .....	9
Tijdens gebruik .....	9
Veiligheid tijdens gebruik .....	9
Motor starten .....	10
De zelfaandrijving gebruiken .....	10
De motor afzetten .....	11
Maaisel recyclen .....	11
Het maaisel opvangen .....	11
De grasvangerhendel bedienen .....	12

Achteruitwerp gebruiken .....	12
Tips voor bediening en gebruik .....	12
Na gebruik .....	13
Veiligheid na het werk .....	13
De onderkant van de machine reinigen .....	13
Handgreep inklappen .....	14
Onderhoud .....	15
Aanbevolen onderhoudsschema .....	15
De machine veilig onderhouden .....	15
Vorbereidingen voor onderhoudswerkzaamheden .....	15
Onderhoud van het luchtfilter .....	16
De motorolie verversen .....	16
Onderhoud van de bougie .....	17
Het maimes vervangen .....	18
De zelfaandrijving afstellen .....	19
Stalling .....	19
De machine veilig stallen .....	19
Vorbereidingen voor stalling .....	19
De machine uit de stalling halen .....	20

## Veiligheid

Deze machine is ontworpen in overeenstemming met de EN-norm ISO 5395.

### Algemene veiligheid


Dit product kan handen of voeten afsnijden en voorwerpen uitwerpen. Volg altijd alle veiligheidsinstructies op om ernstig letsel te voorkomen.

Gebruik van dit product voor andere doeleinden dan deze kan gevaarlijk zijn voor u of omstanders.

- Voordat u de motor start, moet u de instructies en waarschuwingen in deze *Gebruikershandleiding* en op de machine en de werktuigen lezen, begrijpen en uitvoeren.
- Houd uw handen en voeten uit de buurt van bewegende onderdelen van of onder de machine. Blijf altijd uit de buurt van afvoeropeningen.
- Gebruik de machine niet als er schermen of andere beveiligingsmiddelen ontbreken of als deze niet naar behoren werken.
- Laat geen omstanders of kinderen het werkgebied betreden. Laat kinderen nooit de machine bedienen. Laat enkel mensen die verantwoordelijk en getraind zijn en die bovendien vertrouwd zijn met de instructies en fysiek ertoe in staat zijn de machine bedienen.
- Stop de machine, zet de motor uit en wacht totdat alle bewegende onderdelen tot stilstand zijn gekomen voordat u servicewerkzaamheden uitvoert, brandstof bijvult of verstoppingen verwijdert.



Onjuist gebruik of onderhoud van deze machine kan letsel tot gevolg hebben. Om het risico op letsel te verkleinen, dient u zich aan de volgende veiligheidsinstructies te houden en altijd op het

veiligheidssymbool  te letten, dat betekent Voorzichtig, Waarschuwing of Gevaar – instructie voor persoonlijke veiligheid. Niet-naleving van deze instructies kan leiden tot lichamelijk of dodelijk letsel.

## Veiligheids- en instructiestickers



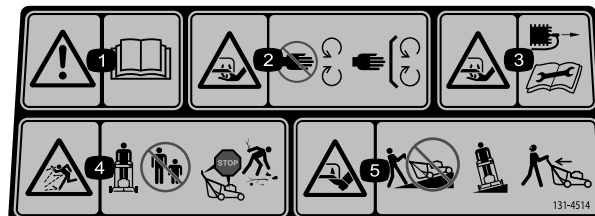
Veiligheidsstickers en veiligheidsinstructies zijn gemakkelijk zichtbaar voor de bestuurder en bevinden zich bij plaatsen waar gevaar kan ontstaan. Vervang alle beschadigde of ontbrekende stickers.



### Merkteken van fabrikant

decaloemarkt

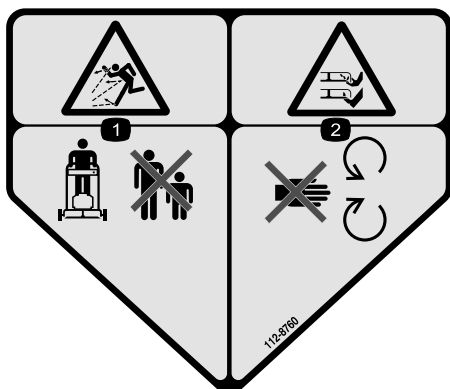
1. Dit merkteken geeft aan dat het mes onderdeel van een originele Toro maaimachine is.



decal131-4514

### 131-4514

1. Waarschuwing – Lees de *Gebruikershandleiding*.
2. Handen of voeten kunnen worden gesneden/geamputeerd door het maaimes – Blijf uit de buurt van bewegende onderdelen; houd alle beschermende delen op hun plaats.
3. Handen kunnen worden gesneden/geamputeerd door het maaimes – Trek de bougiekabel los vóór u onderhoudswerkzaamheden uitvoert.
4. Gevaar op weggeslingerde objecten – Houd omstanders op een afstand.
5. Voeten kunnen worden gesneden/geamputeerd door het maaimes – Maai nooit heuvelopwaarts en heuvelafwaarts; gebruik de machine dwars op hellingen; zet de motor af voordat u de machine verlaat; raap afval op voordat u gaat maaien; kijk achterom als u achteruitloopt.



decal112-8760

### 112-8760

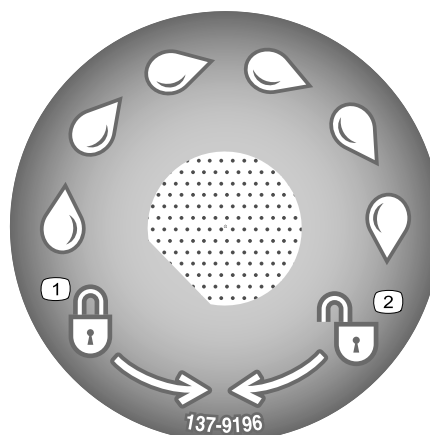
1. Gevaar op weggeslingerde objecten – Houd omstanders op een afstand.
2. Handen of voeten kunnen worden gesneden/geamputeerd door het maaimes – Blijf uit de buurt van bewegende onderdelen.



decal119-2283

### 119-2283

1. Maaihoogte



137-9196

### 137-9196

decal137-9196

1. Vergrendelen
2. Ontgrendelen

# Montage

**Belangrijk:** Verwijder het plastic waarmee de motor is afgedekt en eventueel ander plastic of verpakkingsmateriaal op de machine.

## 1

### De handgreep uitklappen

Geen onderdelen vereist

#### Procedure

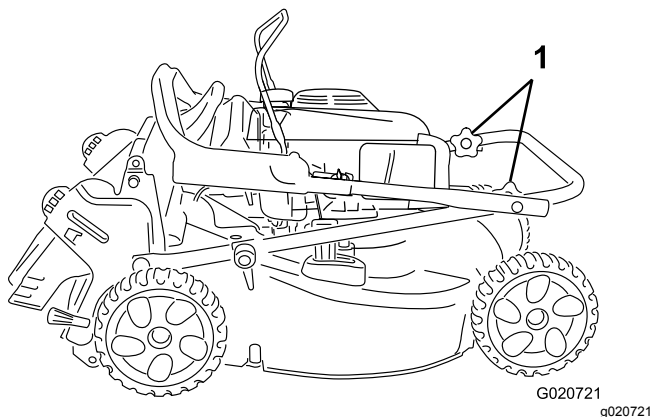
#### ⚠ WAARSCHUWING

Als de handgreep verkeerd wordt in- en uitgeklapt, kunnen de kabels schade oplopen, waardoor de machine niet veilig kan worden gebruikt.

- Zorg ervoor dat u de kabels niet beschadigt als u de handgreep in- of uitklapt.
- Indien een kabel is beschadigd, moet u contact opnemen met een erkende Service Dealer.

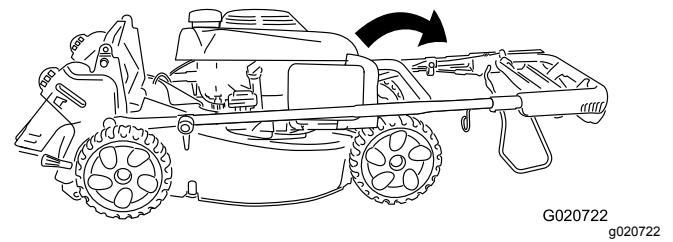
**Belangrijk:** Verwijder het plastic waarmee de motor is afgedekt en eventueel ander plastic of verpakkingsmateriaal op de machine.

1. Draai de knoppen van de handgreep los (Figuur 4).



Figuur 4

1. Handgreepknoppen



Figuur 5

3. Draai de knoppen met de hand stevig vast.
4. Draai de hendel naar achteren naar de bedieningsstand en vergrendel de hendel op de gewenste hoogte. Zie [Hoogte van handgreep instellen \(bladz. 9\)](#).

2. Beweeg het bovenste deel van de handgreep voorzichtig naar voren totdat de helften van de handgreep in een lijn staan en laat ze dan in elkaar vallen [Figuur 5](#).

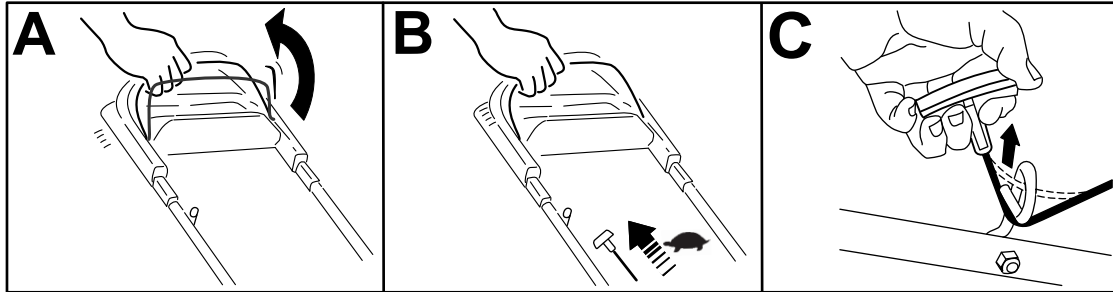
# 2

## De startkoord aanbrengegen in de koordgeleider

Geen onderdelen vereist

### Procedure

**Belangrijk:** Om de motor veilig en snel te kunnen starten voor elk gebruik dient u de startkoord aan te brengen in de koordgeleider.



Figuur 6

g230719

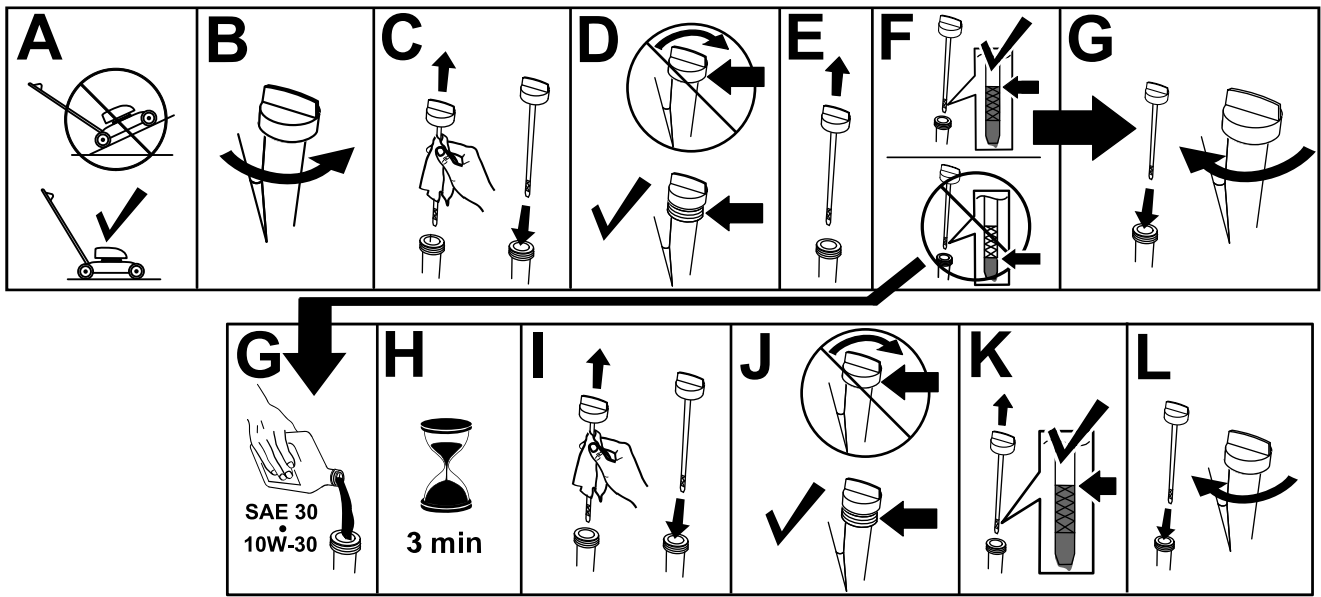
# 3

## Het carter met olie bijvullen

Geen onderdelen vereist

### Procedure

**Belangrijk:** Als het oliepeil in het carter te hoog of te laag is en u laat de motor toch draaien, kunt u deze beschadigen.



Figuur 7

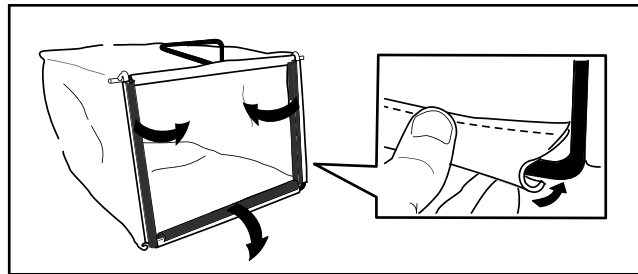
g235721

# 4

## De grasvanger monteren

Geen onderdelen vereist

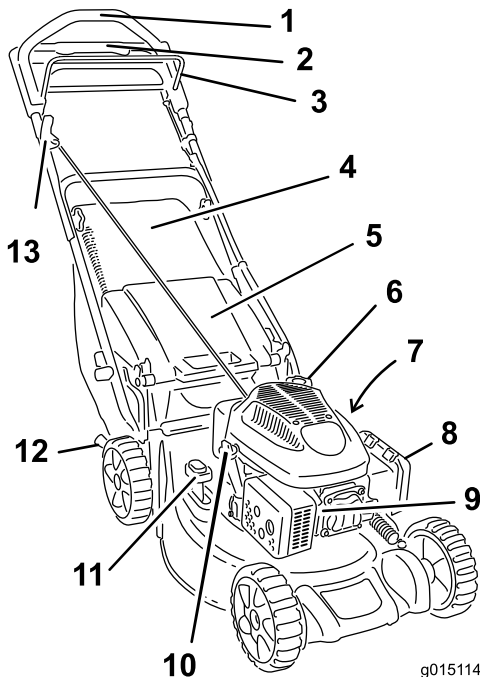
### Procedure



Figuur 8

g241560

# Algemeen overzicht van de machine



Figuur 9

- |                                    |                              |
|------------------------------------|------------------------------|
| 1. Bovenste deel van de handgreep  | 8. Luchtfilter               |
| 2. Handgreep tractiehulp           | 9. Bougie                    |
| 3. Bedieningsstang voor maaimes    | 10. Vulbuis/peilstok         |
| 4. Grasvanger                      | 11. Grasvangerhendel         |
| 5. Achteruitworpg geleider         | 12. Maaihoogtehendel (2)     |
| 6. Dop van brandstoftank           | 13. Handgreep van startkoord |
| 7. Wasaansluiting (niet afgebeeld) |                              |

## Specificaties

Type	Gewicht	Lengte	Breedte	Hoogte
21681	39 kg	152 cm	53 cm	109 cm

# Gebruiksaanwijzing

**Opmerking:** Bepaal vanuit de normale bestuurderspositie de linker- en rechterzijde van de machine.

## Voor gebruik

## Veiligheid vóór gebruik

### Algemene veiligheid

- Zet de machine altijd af, wacht totdat alle bewegende onderdelen tot stilstand zijn gekomen en laat de machine afkoelen voordat u de machine afstelt, reinigt, stalt of er onderhoudswerkzaamheden aan verricht.
- Zorg ervoor dat u vertrouwd raakt met de bedieningsorganen en de veiligheidssymbolen, en weet hoe u de machine veilig kunt gebruiken.
- Controleer of de beschermplaten en veiligheidsvoorzieningen zoals grasgeleiders en/of de grasvanger op hun plaats zitten en naar behoren werken.
- Controleer de machine altijd om er zeker van te zijn dat de messen en mesbouten niet versleten of beschadigd zijn.
- Controleer het werkgebied en verwijder alle voorwerpen die het gebruik van de machine zouden kunnen hinderen of die de machine zou kunnen uitwerpen.
- Contact met een bewegend mes veroorzaakt ernstig letsel. Plaats uw vingers niet onder de maaikast als u de maaihoogte instelt.

### Veilig omgaan met brandstof

- Brandstof is uiterst ontvlambaar en zeer explosief. Brand of explosie van brandstof kan brandwonden bij u of anderen en materiële schade veroorzaken.
  - Om te voorkomen dat een statische lading de brandstof tot ontbranding kan brengen, moet u het brandstofreservoir en/of de machine op de grond plaatsen voordat u de tank vult, niet op een voertuig of een ander object.
  - Vul de brandstoftank in de open lucht wanneer de motor koud is. Neem eventueel gemorste benzine op.
  - Rook niet als u omgaat met brandstof, en houd brandstof uit de buurt van open vuur of vonken.
  - Als de motor draait of heet is, mag de brandstoftankdop niet worden verwijderd en mag de tank niet met brandstof worden bijgevuld.

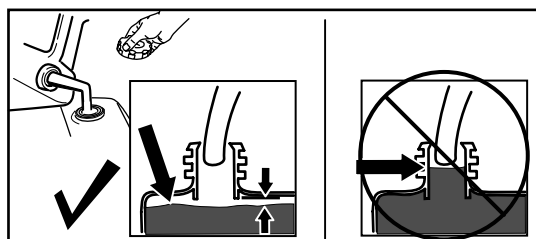
- Probeer de motor niet te starten als u brandstof morst. Zorg ervoor dat er geen ontstekingsbronnen in de buurt zijn totdat de brandstofdampen volledig zijn verdwenen.
- Bewaar brandstof in een goedgekeurd vat of blik en buiten bereik van kinderen.
- Brandstof is schadelijk of dodelijk bij inname. Langdurige blootstelling aan dampen kan leiden tot ernstig letsel en ziekte.
  - Voorkom dat u dampen lange tijd inademt.
  - Houd uw handen en gezicht uit de buurt van de vulpijp en de opening van de brandstoftank.
  - Houd brandstof uit de buurt van uw ogen en huid.

volume. Dit kan leiden tot verminderde prestaties en/of motorschade die mogelijk niet gedekt wordt door de garantie.

- **Geen** benzine gebruiken die methanol bevat.
- Tijdens de winter **geen** brandstof bewaren in de brandstoftank of in brandstofblikken, tenzij een stabilizer aan de brandstof werd toegevoegd.
- **Meng** nooit olie door benzine.

Vul de brandstoftank met verse loodvrije, normale benzine van een bekend merk (Figuur 10).

**Belangrijk:** Om startproblemen te verminderen, moet u stabilizer/conditioner toevoegen aan de verse brandstof volgens de voorschriften van de fabrikant van de stabilizer.



Figuur 10

g230458

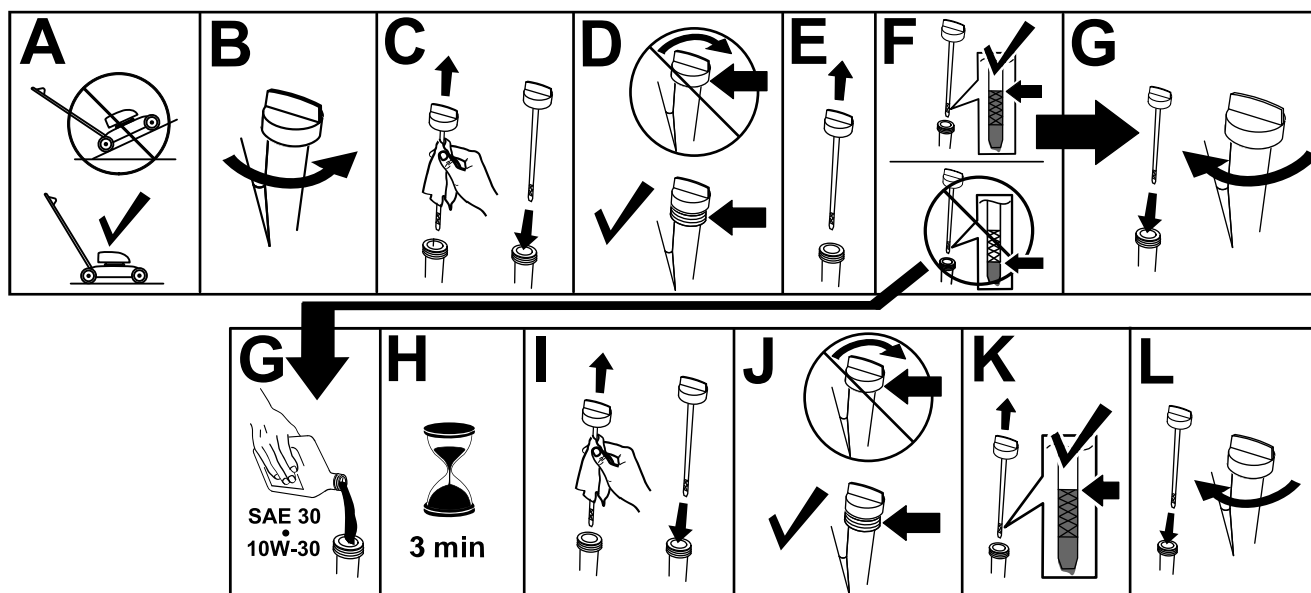
## Brandstoftank vullen

- Gebruik voor de beste resultaten uitsluitend schone, verse, loodvrije benzine met een octaangetal van 87 of hoger (indelingsmethode (R+M)/2).
- Met zuurstof verrijkte benzine met ten hoogste 10% ethanol of 15% MTBE is geschikt.
- **Geen** ethanolmengsels van benzine gebruiken (zoals E15 of E85) met meer dan 10% ethanol per

## Het motoroliepeil controleren

Onderhoudsinterval: Bij elk gebruik of dagelijks

**Belangrijk:** Als het oliepeil in het carter te hoog of te laag is en u laat de motor toch draaien, kunt u deze beschadigen.



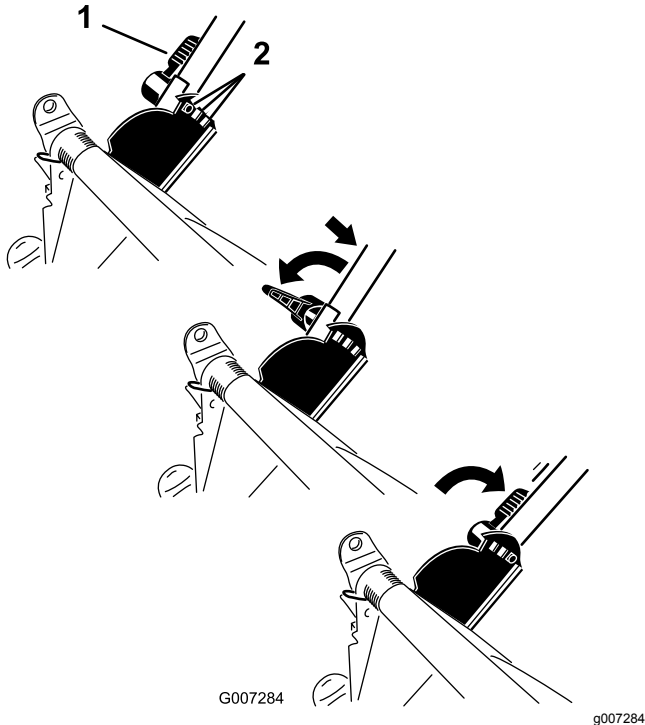
Figuur 11

g235721

# Hoogte van handgreep instellen

U kunt de handgreep hoger of lager zetten in een stand die u comfortabel vindt.

Draai aan de handgreepvergrendeling, verplaats de handgreep naar één van de drie standen en vergrendel de handgreep (Figuur 12).

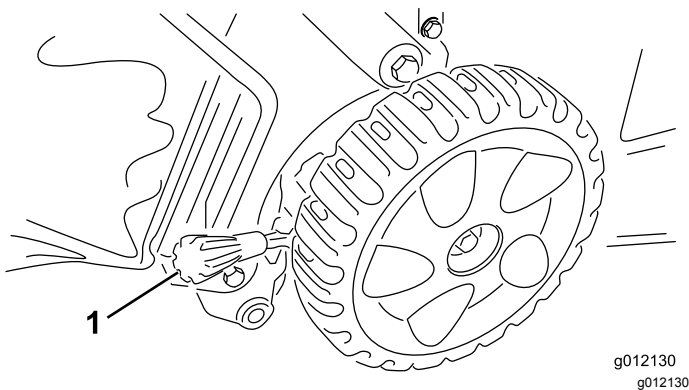


**Figuur 12**

1. Handgreepvergrendeling 2. Handgreepstanden

# De maaihoogte instellen

Zet de maaihoogte op de gewenste stand. Zet alle maaihoogtehendels op dezelfde hoogte. Zie (Figuur 13) voor het hoger en lager stellen van de machine.



**Figuur 13**

1. Maaihoogtehendel

**Belangrijk:** De maaihoogte-instellingen zijn 25 mm, 38 mm, 51 mm, 64 mm, 83 mm, 95 mm en 108 mm.

# Tijdens gebruik

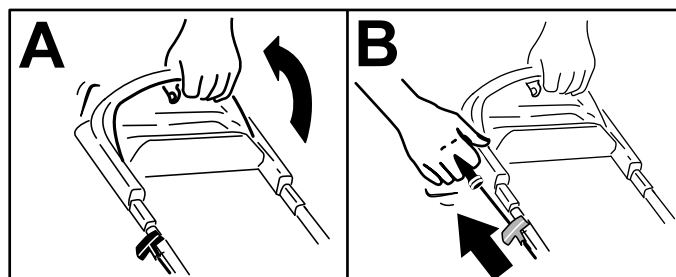
## Veiligheid tijdens gebruik

### Algemene veiligheid

- Draag geschikte kleding en uitrusting, zoals oogbescherming, een lange broek, stevige schoenen met een gripvaste zool en gehoorbescherming. Draag lang haar niet los en draag geen losse kleding of juwelen.
- Geef uw volledige aandacht als u de machine gebruikt. Zorg ervoor dat u met niets anders bezig bent waardoor u kunt worden afgeleid, anders kan er letsel ontstaan of kan eigendom worden beschadigd.
- Gebruik de machine niet als u ziek of moe bent of onder de invloed van alcohol of drugs bent.
- Het maaimes is scherp, contact met het maaimes kan ernstig lichamelijk letsel veroorzaken. Zet de motor af en wacht totdat alle bewegende onderdelen tot stilstand zijn gekomen voordat u de bestuurderspositie verlaat.
- Als u de bedieningsstang loslaat, moeten de motor en het mes binnen 3 seconden stoppen. Als dit niet het geval is, mag u de machine niet meer gebruiken en moet u contact opnemen met een erkende servicedealer.
- Houd omstanders uit de buurt van het werkgebied. Houd kleine kinderen uit de buurt van het werkgebied en plaats ze onder toezicht van een verantwoordelijke volwassene die de machine niet aan het gebruiken is. Stop de machine als iemand het werkgebied betreedt.
- Kijk altijd naar beneden en achterom voordat u achteruitrijdt.
- Gebruik de machine enkel bij een goede zichtbaarheid en in geschikte weersomstandigheden. Gebruik de machine niet als het kan bliksemen.
- Als u nat gras en natte bladeren maait, kunt u uitglijden, in aanraking komen met het mes en ernstig letsel oplopen. Gebruik de machine niet in vochtige omstandigheden.
- Wees uiterst voorzichtig bij het naderen van blinde hoeken, struiken, bomen en andere objecten die uw zicht kunnen belemmeren.
- Het materiaal dat afgevoerd wordt niet naar iemand richten. Voorkom het afvoeren van materiaal tegen een muur of afscherming; het materiaal kan naar

u terugketsen. Zet het mes/de messen stil bij het oversteken van grindoppervlakken.

- Kijk uit voor gaten, geulen, hobbels, stenen of andere verborgen objecten. Op oneffen terrein kunt u uw evenwicht verliezen of wegglijden.
- Als de maaimachine een voorwerp raakt en begint te trillen, moet u meteen de motor afzetten, wachten totdat alle bewegende onderdelen tot stilstand zijn gekomen en de bougiekabel losmaken voordat u de maaimachine op beschadiging controleert. Voer alle noodzakelijke reparaties uit voordat u de machine weer in gebruik neemt.
- Zet de motor af en wacht totdat alle bewegende onderdelen tot stilstand zijn gekomen voordat u de bestuurderspositie verlaat.
- Als de motor heeft gelopen, kan deze heet zijn en ernstige brandwonden veroorzaken. Blijf uit de buurt van de hete motor.
- Laat de motor enkel in goed geventileerde ruimtes draaien. Uitlaatgassen bevatten koolstofmonoxide, dat bij inademing dodelijk is.
- Controleer de onderdelen van de grasvanger en het uitwerpkanaal regelmatig op slijtage en beschadiging en vervang ze indien nodig door originele Toro onderdelen.

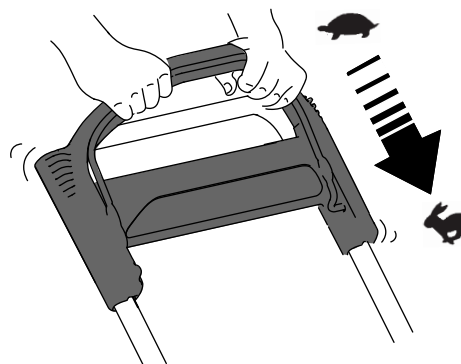


g230459  
**Figuur 14**

**Opmerking:** Als de motor na enkele pogingen niet wil starten, moet u contact opnemen met een erkende Service Dealer.

## De zelfaandrijving gebruiken

Om de zelfaandrijving te activeren, loopt u eenvoudig vooruit met uw handen op het bovenste deel van de handgreep en uw ellebogen naast uw lichaam; de maaimachine richt zich automatisch naar uw loopsnelheid (Figuur 15).



g233423  
**Figuur 15**

## De machine veilig gebruiken op hellingen

- Maai met de helling mee, nooit helling op en af. Ga zeer zorgvuldig te werk als u van richting verandert op een helling.
- Maai niet op al te steile hellingen. Het niet goed neerzetten van de voeten kan ongevallen veroorzaken waarbij de gebruiker wegglijdt en ten val komt.
- Maai voorzichtig in de buurt van steile hellingen, greppels of dijken.

## Motor starten

1. Houd de bedieningsstang van het maimes tegen de handgreep (A in [Figuur 14](#)).
2. Trek de handgreep van het startkoord langzaam uit tot u weerstand voelt, trek dan krachtig en laat de handgreep dan langzaam teruglopen naar de koordgeleider (B in [Figuur 14](#)).

**Opmerking:** Als de maaimachine niet vrij naar achteren rolt na het inschakelen van de zelfaandrijving, sta dan stil, houd uw handen bij de handgreep en laat de maaimachine een paar centimeter naar voren rollen om het aandrijfsysteem uit te schakelen. U kunt ook de metalen hendel aanraken die zich net onder de bovenste handgreep bevindt en de machine een paar centimeter naar voren duwen. Als de maaimachine nog steeds niet naar achteren wil rollen, moet u contact opnemen met een erkende Service Dealer.



## De motor afzetten

**Onderhoudsinterval:** Bij elk gebruik of dagelijks

Om de motor af te zetten, laat u de bedieningsstang van het maimes los.

**Belangrijk:** Als u de bedieningsstang loslaat, moeten de motor en het mes binnen 3 seconden stoppen. Als dit niet gebeurt, mag u de machine niet verder gebruiken en moet u contact opnemen met een erkende servicedealer.

## Maaisel recyclen

De machine kan maaisel en bladafval over het gazon verspreiden (recycling).

Als de grasvanger aan de maaimachine is bevestigd en de grasvangerhendel zich in de grasvangstand bevindt, eerst de hendel in de recycle-stand zetten (raadpleeg [De grasvangerhendel bedienen \(bladz. 12\)](#)).

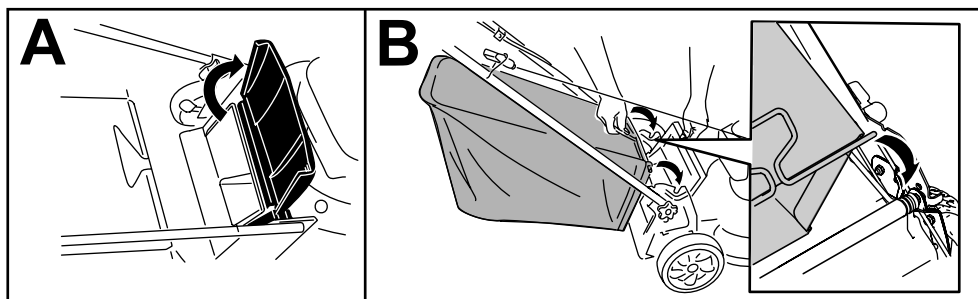
## Het maaisel opvangen

Gebruik de grasvanger als u maaisel en bladafval wilt verzamelen.

Als de grasvangerhendel zich in de recycle-stand bevindt, zet deze dan in de grasvangstand (zie [De grasvangerhendel bedienen \(bladz. 12\)](#)).

## Montage van de grasvanger

1. Zet de achteruitworpgeleider omhoog en houd hem in deze stand (A van [Figuur 16](#)).
2. Plaats de grasvanger en zorg ervoor dat de pennen van de zak in de inkepingen op de handgreep rusten (B van [Figuur 16](#)).
3. Breng de achteruitworpgeleider omlaag.



Figuur 16

g233434

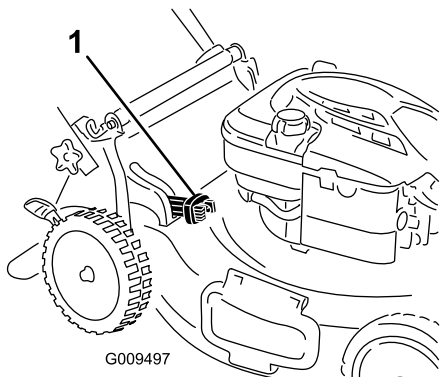
## De grasvanger verwijderen

Om de zak te verwijderen, voert u de stappen in [Montage van de grasvanger \(bladz. 11\)](#) in omgekeerde volgorde uit.

# De grasvangerhendel bedienen

Met de grasvangfunctie kunt u kiezen tussen opvangen van het maaisel of recyclen van gras en bladeren terwijl de grasvanger aan de maaimachine is bevestigd.

- **Als u het gras en de bladeren wilt opvangen**, druk dan op de knop van de grasvangerhendel en beweeg deze naar voren tot de knop op de hendel naar boven klikt (Figuur 17).

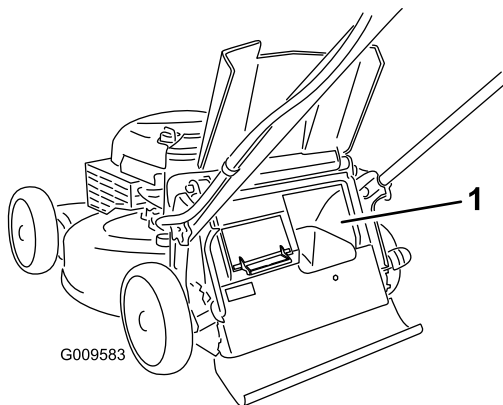


Figuur 17

1. Grasvangerhendel (in de grasvangstand)

- **Als u het gras en de bladeren wilt recyclen of zijdelings uitwerpen**, druk dan op de knop van de grasvangerhendel en beweeg deze naar achteren tot de knop op de hendel naar boven klikt.

**Belangrijk:** Voor een juiste werking, zet de motor uit, wacht totdat alle bewegende onderdelen tot stilstand zijn gekomen en verwijder eventueel maaisel en vuil van de grasvangerklep en de omgeving ervan (Figuur 18) voordat u de hendel in een andere stand zet.



Figuur 18

1. Hier reinigen

# Achteruitworp gebruiken

Gebruik de achteruitworp als u zeer hoog gras maait.

**Opmerking:** Als de grasvanger op de machine zit, moet u die verwijderen alvorens de achteruitworp te gebruiken; zie [De grasvanger verwijderen \(bladz. 11\)](#). De grasvanghendel moet in de GRASVANGSTAND staan zoals getoond in [Figuur 16](#).

## ⚠ WAARSCHUWING

Het maaimes is scherp, contact met het maaimes kan ernstig lichamelijk letsel veroorzaken.

Zet de motor af en wacht totdat alle bewegende onderdelen tot stilstand zijn gekomen voordat u de bestuurderspositie verlaat.

# Tips voor bediening en gebruik

## Algemene maaitips

- Controleer het werkgebied en verwijder alle voorwerpen die de machine zou kunnen uitwerpen.
- Zorg ervoor dat het mes geen vaste voorwerpen raakt. Maai nooit met opzet over voorwerpen.
- Als de maaimachine toch een voorwerp raakt en begint te trillen, moet u meteen de motor afzetten, de contactsleutel verwijderen (indien de machine hiermee is uitgerust) de bougiekabel losmaken en de maaimachine op beschadiging controleren.
- De beste resultaten krijgt u door een nieuw mes te monteren voordat het maaiseizoen begint.
- Vervang indien nodig het maaimes door een Toro mes.

## Gras maaien

- U moet telkens niet meer dan ongeveer één derde van de grassprietten afmaaien. Maai niet met een stand lager dan 51 mm, tenzij de grasmat dun is, of als het laat in het najaar is wanneer het gras langzamer begint te groeien.
- Als u gras wilt maaien dat langer dan 15 cm is, moet u maaien op de maximale maaihoogte en met een langzamere loopsnelheid. Vervolgens gaat u maaien op een lagere maaihoogte om het gazon een zo fraai mogelijk uiterlijk te geven. Als het gras te hoog is, kan de machine verstopt raken en de motor afslaan.

- Nat gras en natte bladeren gaan aancoeken, waardoor de maaimachine verstopt kan raken of de motor kan afslaan. Gebruik de machine niet in vochtige omstandigheden.
- Wees bedacht op het risico van brand in zeer droge omstandigheden; neem alle plaatselijke brandwaarschuwingen in acht en houd de machine vrij van droog gras en bladafval.
- Maai steeds in wisselende richtingen. Hierdoor wordt het maaisel beter over het gazon verstrooid, zodat het gazon gelijkmatig wordt bemest.
- Als u met het uiterlijk van het voltooide gazon niet tevreden bent, probeer dan een of meer van de volgende stappen:
  - Vervang het maaimes of laat het slijpen.
  - Loop langzamer tijdens het maaien.
  - Stel de maaimachine in op een hogere maaihoogte.
  - Maai het gras vaker.
  - Laat de maibanen overlappen in plaats van steeds een volledig nieuwe baan te maaien.

## Bladeren fijnmaken

- Na het maaien moet altijd 50% van het gazon zichtbaar blijven door de bladerlaag. Dit kan een of meerdere rondgangen over de bladeren vereisen.
- Als er een laag bladeren van meer dan 13 cm op het gazon ligt, moet u eerst met een hogere maaihoogte werken en vervolgens nogmaals maaien op de gewenste hoogte.
- Als de maaimachine de bladeren niet fijn genoeg maakt, is het beter om wat langzamer te maaien.

## Na gebruik

## Veiligheid na het werk

### Algemene veiligheid

- Zet de machine altijd af, wacht totdat alle bewegende onderdelen tot stilstand zijn gekomen en laat de machine afkoelen voordat u de machine afstelt, reinigt, stalt of er onderhoudswerkzaamheden aan verricht.
- Verwijder gras en vuil van de machine om brand te voorkomen. Neem gemorste olie of brandstof op.
- Bewaar de machine of brandstofhouder nooit bij een open vlam, vonk of waakvlam bij bv. een geiser of andere apparaten.

## De machine veilig vervoeren

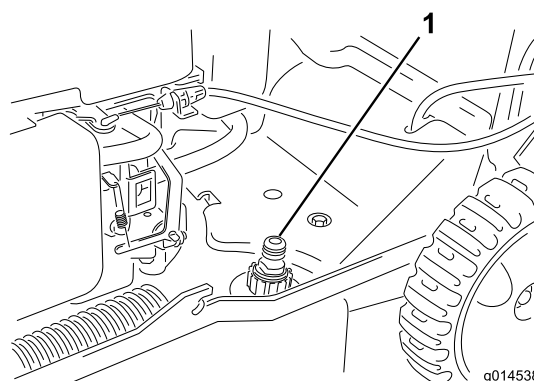
- Wees voorzichtig bij het in- of uitladen van de machine.
- Zet de machine vast zodat ze niet kan gaan rollen.

## De onderkant van de machine reinigen

**Onderhoudsinterval:** Bij elk gebruik of dagelijks

Om de beste resultaten te verkrijgen, dient u de machine te reinigen zodra u klaar bent met maaien.

1. Zet de machine in de laagste maaistand. Zie [De maaihoogte instellen \(bladz. 9\)](#).
2. Plaats de machine op een horizontaal oppervlak.
3. Bevestig een tuinslang die aangesloten is op een kraan aan de wasaansluiting ([Figuur 19](#)).



**Figuur 19**

1. Wasaansluiting
4. Draai de kraan open.
5. Start de motor en laat deze lopen totdat er geen maaisel meer onder de machine vandaan komt.
6. Zet de motor af.
7. Draai de kraan dicht en maak de tuinslang los van de maaimachine.
8. Start de motor en laat deze een paar minuten lopen om de onderzijde van de machine te drogen.
9. Schakel de motor uit en laat deze afkoelen.

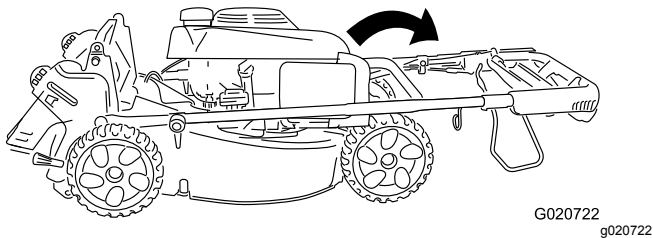
# Handgreep inklappen

## ⚠ WAARSCHUWING

Als de handgreep verkeerd wordt in- en uitgeklaapt, kunnen de kabels schade oplopen, waardoor de machine niet veilig kan worden gebruikt.

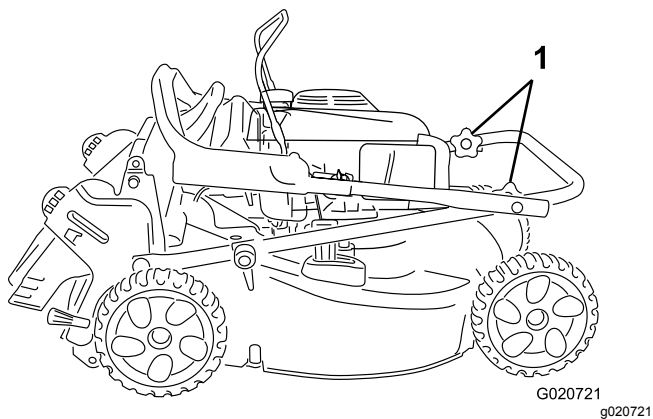
- Zorg ervoor dat u de kabels niet beschadigt als u de handgreep in- of uitklaapt.
  - Indien een kabel is beschadigd, moet u contact opnemen met een erkende Service Dealer.
1. Draai de knoppen van de handgreep los.
  2. Draai de volledige handgreep naar voren (Figuur 20).

**Belangrijk:** Zorg ervoor dat de kabels aan de buitenkant van de knoppen van de handgreep lopen als u het bovenste deel van de handgreep inklapt.



Figuur 20

3. Draai het bovenste deel van de handgreep terug naar de motor; zie Figuur 21.



Figuur 21

1. Handgreepknoppen

# Onderhoud

## Aanbevolen onderhoudsschema

Onderhoudsinterval	Onderhoudsprocedure
Na de eerste 5 bedrijfsuren	<ul style="list-style-type: none"><li>• Ververs de motorolie.</li></ul>
Bij elk gebruik of dagelijks	<ul style="list-style-type: none"><li>• Controleer het oliepeil en vul indien nodig olie bij.</li><li>• Controleer of de motor binnen 3 seconden stopt nadat u de bedieningsstang van het maimes hebt losgelaten.</li><li>• Verwijder maaisel en vuil van de onderkant van de machine.</li></ul>
Om de 100 bedrijfsuren	<ul style="list-style-type: none"><li>• Onderhoud van de bougie.</li></ul>
Jaarlijks	<ul style="list-style-type: none"><li>• Geef het luchtfilter een onderhoudsbeurt.</li><li>• Ververs de motorolie.</li><li>• Vervang het maimes of laat het slijpen (vaker als de snijrand snel bot wordt).</li><li>• Reinig de motor door vuil van de bovenkant en de zijkanten te verwijderen; doe dit vaker als de machine wordt gebruikt in stoffige omstandigheden.</li></ul>
Jaarlijks of vóór stalling	<ul style="list-style-type: none"><li>• Laat de benzine uit de brandstoftank lopen voordat u vereiste reparaties uitvoert of voor de jaarlijkse stalling.</li></ul>

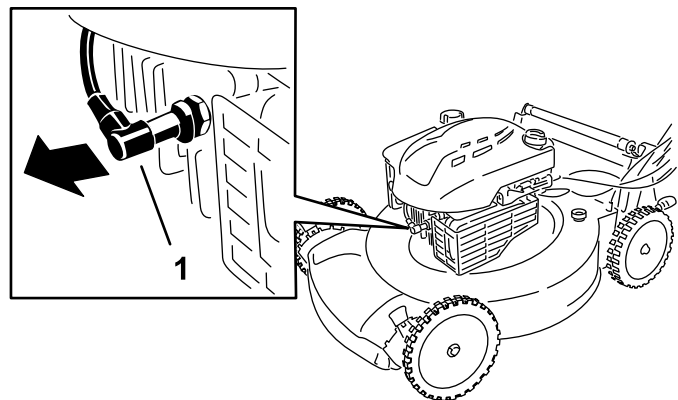
## De machine veilig onderhouden

- Trek de bougiekabel los van de bougie voordat u onderhoudswerkzaamheden uitvoert.
- Draag handschoenen en oogbescherming wanneer u servicewerkzaamheden verricht.
- Het maimes is scherp, contact met het maimes kan ernstig lichamelijk letsel veroorzaken. Gebruik handschoenen als u het mes monteert. Repareer of wijzig het mes/de messen niet.
- Knoei nooit met de veiligheidsvoorzieningen. Controleer regelmatig of deze goed werken.
- Als u de machine kantelt, kan er benzine uit de tank lekken. Benzine is ontvlambaar en explosief en kan lichamelijk letsel veroorzaken. Laat de motor drooglopen of pomp de brandstof met een handpomp uit de tank. Gebruik nooit een hevel.
- Om veilige en optimale prestaties van de machine te verkrijgen, moet u ter vervanging alleen originele Toro onderdelen en accessoires gebruiken. Gebruik ter vervanging nooit onderdelen en accessoires van andere fabrikanten, omdat dit gevaarlijk kan zijn en de productgarantie hierdoor kan vervallen.

## Vorbereidingen voor onderhoudswerkzaamheden

1. Zet de motor uit en wacht totdat alle bewegende onderdelen tot stilstand gekomen zijn.

2. Maak de bougiekabel los van de bougie (Figuur 22).



Figuur 22

g236094

1. Bougiekabel

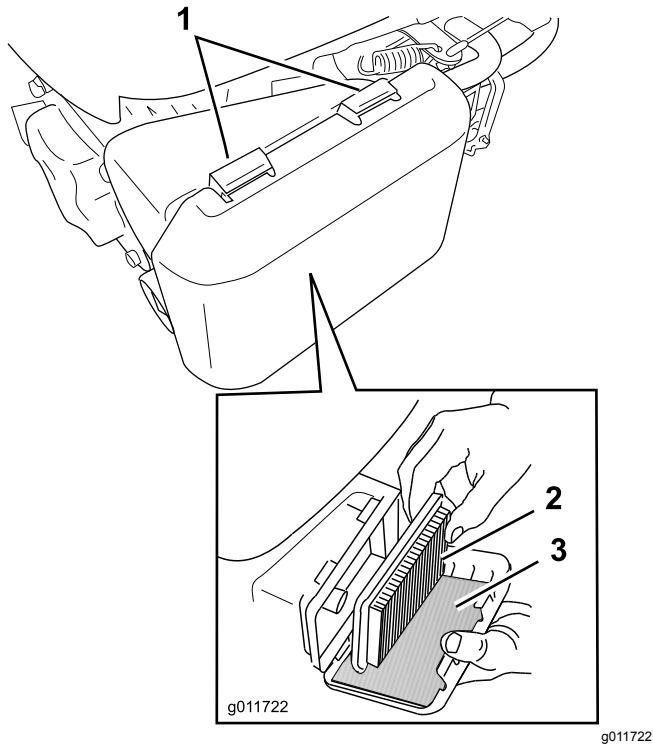
3. Nadat u de onderhoudswerkzaamheden hebt uitgevoerd, moet u de kabel weer aansluiten op de bougie.

**Belangrijk:** Voordat u de machine kantelt om olie te verversen of het mes te vervangen, moet u de machine gebruiken totdat de benzinetank leeg is. Als u de machine moet kantelen voordat de benzinetank leeg is, dient u de benzine met een handpomp uit de tank te pompen. Kantel de maaimachine altijd op de zijkant, met de peilstok omlaag.

# Onderhoud van het luchtfilter

Onderhoudsinterval: Jaarlijks

1. Druk de lippen van de vergrendeling bovenop het luchtfilterdeksel omlaag (Figuur 23).



Figuur 23

1. Lippen van vergrendeling
2. Papierelement
3. Schuimfilter

2. Open het deksel.
3. Verwijder het papierelement en het schuimfilter (Figuur 23).
4. Inspecteer het schuimfilter en vervang dit als het beschadigd of heel erg vuil is.
5. Inspecteer het papieren luchtfilterelement.
  - Als het luchtfilter is beschadigd of nat is van olie of brandstof, moet u het filter vervangen.
  - Als het luchtfilter vuil is, klop er dan een paar keer mee op een harde ondergrond of blaas met perslucht onder een druk van minder dan 2,07 bar door de zijde van het filter dat naar de motor is gericht.

**Opmerking:** Borstel het vuil niet uit het filter, als u borstelt wordt het vuil in de vezels geduwd.

6. Verwijder het vuil van de luchtfilterbehuizing en het deksel met een vochtige doek.

**Belangrijk:** Veeg geen vuil in de luchtgang.

7. Plaats het papieren filterelement en het schuimfilter in het luchtfilter.

8. Plaats het deksel terug.

## De motorolie verversen

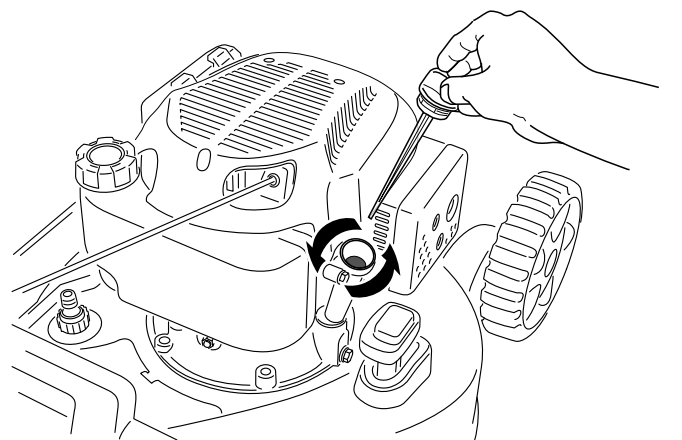
Onderhoudsinterval: Na de eerste 5 bedrijfsuren  
Jaarlijks

**Opmerking:** Voordat u de olie ververst, moet u de motor enkele minuten laten lopen zodat de olie warm wordt. Warme olie stroomt beter en voert verontreinigingen beter mee.

### Motorolietype

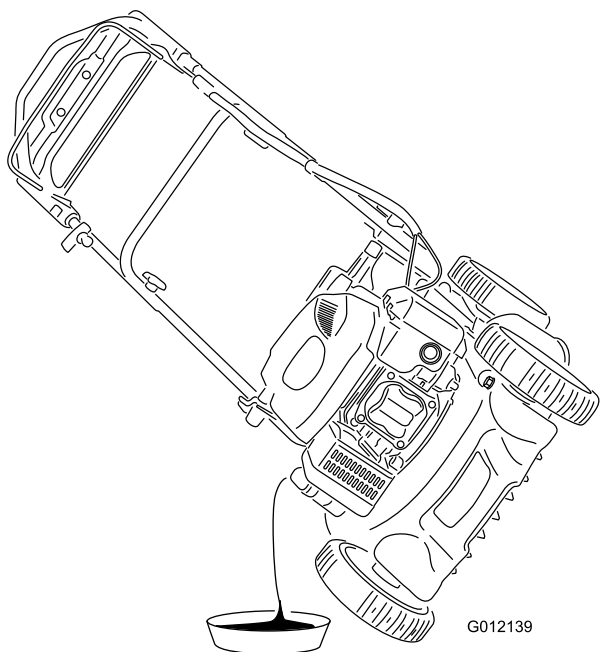
Motoroliecapaciteit	0,55 liter
Olieviscositeit	SAE 30 of SAE 10W-30 reinigungsolie
API-onderhoudsclassificatie	SJ of hoger

1. Plaats de machine op een horizontaal oppervlak.
2. Zie [Vorbereidingen voor onderhoudswerkzaamheden](#) (bladz. 15).
3. Verwijder de peilstok door de dop linksom te draaien en eruit te trekken (Figuur 24).



Figuur 24

4. Kantel de machine op de zijkant (met het luchtfilter naar boven) om de oude olie uit de vulbuis te laten lopen (Figuur 24).



**Figuur 25**

g012139

## Onderhoud van de bougie

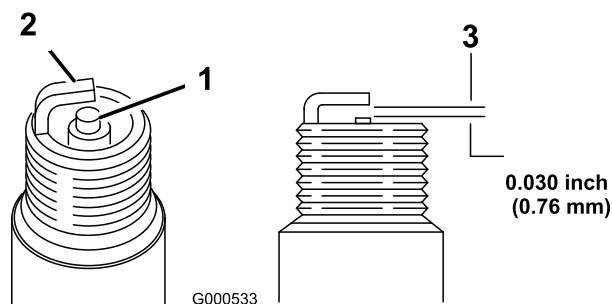
**Onderhoudsinterval:** Om de 100 bedrijfsuren

Gebruik een **Champion RL87YC** bougie of een bougie van een equivalent type.

1. Zet de motor uit en wacht totdat alle bewegende onderdelen tot stilstand gekomen zijn.
2. Verwijder de bougiekabel van de bougie (**Figuur 22**).
3. Maak de omgeving van de bougie schoon.
4. Haal de bougie uit de cilinderkop.

**Belangrijk:** Als de bougie gebarsten of vuil is, moet deze worden vervangen. U mag de elektroden niet reinigen omdat hierdoor gruis in de cilinder terecht kan komen. Dit leidt meestal tot beschadiging van de motor.

5. Stel de elektrodenafstand in op 0,76 mm zoals getoond in **Figuur 26**.



**Figuur 26**

g000533

1. Centrale elektrode met isolator
2. Massa-elektrode
3. Elektrodenafstand (niet op schaal weergegeven)

6. Plaats de bougie.
7. Draai de bougie vast met een torsië van 20 N·m.
8. Sluit de bougiekabel aan op de bougie.

5. Nadat de gebruikte olie is afgetapt, zet u de maaimachine terug in de werkstand.
6. Giet langzaam ongeveer  $\frac{3}{4}$  van de inhoud van het oliecarter in de vulbuis.
7. Wacht 3 minuten tot de olie in de motor gezakt is.
8. Veeg de peilstok met een schone doek schoon.
9. Steek de peilstok in de vulbuis, **maar draai hem er niet in**. Verwijder dan de peilstok.
10. Lees het oliepeil af van de peilstok ( **Het motoroliepeil controleren** (bladz. 8)).
  - Als het peil op de peilstok te laag staat, giet dan voorzichtig een kleine hoeveelheid olie in de vulbuis, wacht 3 minuten en herhaal stappen 8 tot en met 10 totdat de peilstok het juiste peil aangeeft.
  - Als het oliepeil op de peilstok te hoog is, tapt u de overtollige olie af tot de peilstok het juiste oliepeil aangeeft.

**Belangrijk:** Als het oliepeil in het motor te hoog of te laag is en u laat de motor toch draaien, kunt u deze beschadigen.

11. Plaats de peilstok goed in de vulbuis.
12. Recycleer de gebruikte olie op de juiste wijze.

# Het maimes vervangen

Onderhoudsinterval: Jaarlijks

**Belangrijk:** U hebt een momentsleutel nodig om het mes op correcte wijze te monteren. Als u geen momentsleutel hebt of niet goed weet hoe u de montage moet uitvoeren, kunt u contact opnemen met een erkende servicedealer.

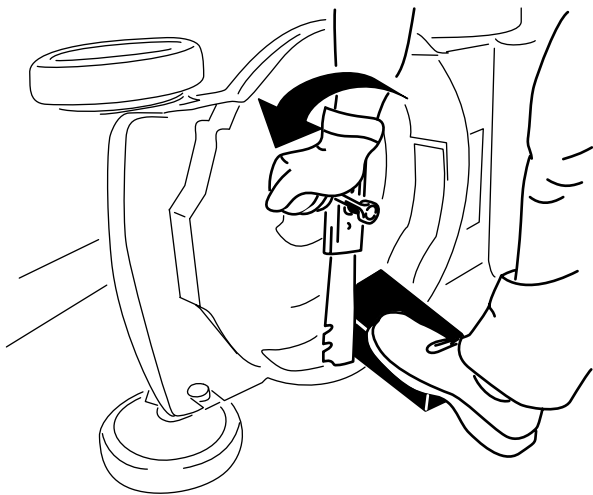
Controleer het mes wanneer de brandstoftank leeg is. Een beschadigd of gescheurd mes moet direct worden vervangen. Als de snijrand bot is of bramen vertoont, moet u het mes laten slijpen en balanceren of het mes vervangen.

## ⚠ WAARSCHUWING

Het maimes is scherp, contact met het maimes kan ernstig lichamelijk letsel veroorzaken.

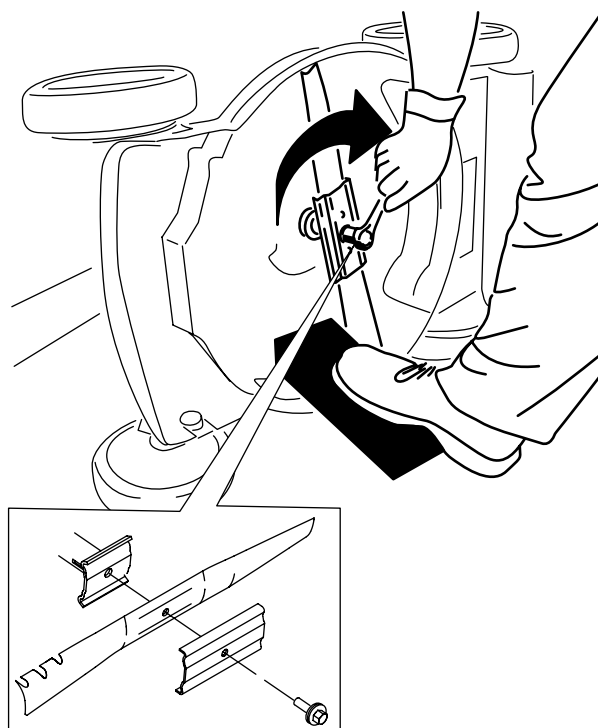
Gebruik handschoenen als u het mes monteert.

1. Zie [Vorbereidingen voor onderhoudswerkzaamheden \(bladz. 15\)](#).
2. Kantel de maaimachine op zijn zij met het luchtfilter naar boven.
3. Gebruik een blok hout om het mes stil te houden ([Figuur 27](#)).



Figuur 27

g231389



Figuur 28

g231390

**Belangrijk:** De gebogen uiteinden van het mes moeten naar de machine wijzen.

6. Gebruik een momentsleutel om de mesbout vast te draaien met 82 N·m.

**Belangrijk:** Een bout die is aangetrokken tot 82 N·m zit erg vast. Zet het mes vast met een stuk hout en plaats uw volle gewicht achter de (dop)sleutel om de bout goed vast te draaien. Het is erg moeilijk om deze bout te vast te draaien.

4. Verwijder het mes en bewaar alle bevestigingselementen ([Figuur 27](#)).
5. Monteer het nieuwe mes en alle bevestigingselementen ([Figuur 28](#)).

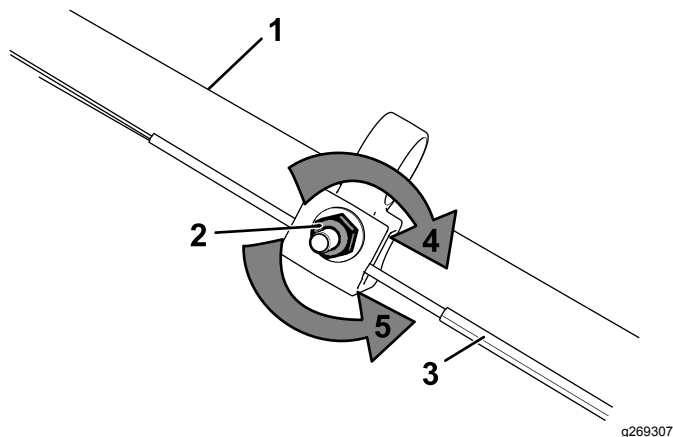


# De zelfaandrijving afstellen

## Alleen voor modellen met zelfaandrijving

Wanneer u een nieuwe kabel voor de zelfaandrijving monteert of de zelfaandrijving ontregeld is, moet u de zelfaandrijving afstellen.

1. Draai de stelmoer linksom om het afstelmechanisme van de kabel los te zetten (Figuur 29).



Figuur 29

- |                              |   |
|------------------------------|---|
| 1. Handgreep (linkerzijde)   | 4. Draai de moer rechtsom om de afstelling te borgen.           |
| 2. Stelmoer                  | 5. Draai de moer linksom om het afstelmechanisme los te zetten. |
| 3. Kabel van zelfaandrijving |   |

2. Stel de kabelspanning af (Figuur 29) door de kabel naar achteren of naar voren te bewegen en hem in deze positie te houden.

**Opmerking:** Duw de kabel naar de motor om de tractie te verhogen; trek de kabel weg van de motor om de tractie te verkleinen.

3. Draai de stelmoer rechtsom om de afstelling van de kabel te borgen.

**Opmerking:** Draai de moer stevig vast met een dopsleutel of een moersleutel.

# Stalling

Stal de maaimachine op een koele, schone, droge plaats.

## De machine veilig stallen

Zet de machine altijd af, wacht totdat alle bewegende onderdelen tot stilstand zijn gekomen en laat de machine afkoelen voordat u de machine afstelt, reinigt, stalt of er onderhoudswerkzaamheden aan verricht.

## Vorbereidingen voor stalling

1. Voeg de laatste keer in het seizoen dat u brandstof toevoegt ook een stabilizer (zoals Toro Premium Fuel Treatment) toe volgens de voorschriften op het etiket.
2. U moet ongebruikte brandstof op de juiste wijze afvoeren. Voer deze brandstof af volgens de plaatselijk geldende voorschriften of gebruik deze voor uw auto.

**Belangrijk:** Oude brandstof in de tank is de belangrijkste oorzaak voor startproblemen. Bewaar brandstof zonder stabilizer niet langer dan 30 dagen; bewaar brandstof met stabilizer niet langer dan de periode die de fabrikant van de brandstofstabilizer aanbeveelt.

3. Laat de motor lopen totdat hij afslaat door gebrek aan brandstof.
4. Start de motor opnieuw en laat hem lopen totdat hij afslaat. Als de motor niet meer wil starten, is de brandstof voldoende verbruikt.
5. Maak de kabel los van de bougie en bevestig de kabel aan de steunstang (indien aanwezig).
6. Verwijder de bougie, giet 30 ml motorolie in de bougieopening en trek verschillende keren langzaam aan het startkoord om de olie over de cilinderwand te verspreiden teneinde corrosie in de stallingsperiode te voorkomen.
7. Monteer de bougie zonder deze vast te draaien.
8. Draai alle moeren, bouten en schroeven goed aan.

# De machine uit de stalling halen

1. Controleer alle bevestigingen en draai deze vast.
2. Verwijder de bougies en laat de motor snel draaien door aan de handgreep van het startkoord te trekken om de overmatige olie uit de cilinder te verwijderen.
3. Plaats de bougie en draai hem met behulp van een momentsleutel vast met een torsie van 20 N·m.
4. Voer de onderhoudsprocedures uit; zie [Onderhoud \(bladz. 15\)](#).
5. Controleer het oliepeil in de motor; zie [Het motoroliepeil controleren \(bladz. 8\)](#).
6. Vul de brandstoftank met verse brandstof; zie [Brandstoftank vullen \(bladz. 8\)](#).
7. Sluit de bougiekabel aan op de bougie.

## Privacyverklaring EEA/VK

### Toro's gebruik van uw persoonlijke gegevens

The Toro Company ("Toro") respecteert uw recht op privacy. Wanneer u onze producten koopt, kunnen we bepaalde persoonlijke informatie over u verzamelen, ofwel rechtstreeks via u ofwel via uw plaatselijk Toro bedrijf of dealer. Toro gebruikt deze informatie om te voldoen aan contractuele verplichtingen – zoals het registreren van uw garantie, het behandelen van uw garantieclaim of om contact met u op te nemen in het geval van terugroepacties – en voor legitieme zakelijke doeleinden – zoals klanttevredenheid meten, onze producten verbeteren of u productinformatie verschaffen die van belang kan zijn. Toro kan uw informatie delen met onze dochterondernemingen, verdelers of andere zakenpartners in verband met deze activiteiten. We kunnen ook persoonlijke informatie vrijgeven van rechtswege of in verband met de verkoop, aankoop of fusie van een bedrijf. We verkopen uw persoonsgegevens nooit aan andere bedrijven voor marketingdoeleinden.

### Bewaring van uw persoonsgegevens

Toro bewaart uw persoonlijke informatie zolang deze relevant is voor de bovengenoemde doeleinden en in overeenstemming is met de wettelijke vereisten. Gelieve contact op te nemen via [legal@toro.com](mailto:legal@toro.com) voor meer informatie over de bewaarperiodes die van toepassing zijn.

### Toro's engagement inzake veiligheid

Uw persoonlijke informatie kan behandeld worden in de VS of een ander land dat mogelijk soepelere databeschermingswetten heeft dan het land waar u verblijft. Indien we uw informatie overdragen naar een ander land dan het land waar u verblijft, nemen wij de wettelijk verplichte maatregelen om ervoor te zorgen dat de informatie op gepaste wijze wordt beschermd en veilig wordt behandeld.

### Toegang en correctie

U hebt het recht om uw persoonlijke gegevens te corrigeren of te raadplegen, of zich te verzetten tegen de verwerking van uw gegevens of deze te beperken. Om deze rechten uit te oefenen, gelieve een e-mail te sturen naar [legal@toro.com](mailto:legal@toro.com). Als u zich zorgen maakt over de manier waarop Toro uw informatie heeft behandeld, vragen wij u om deze direct ten aanzien van ons te uiten. Europese burgers hebben het recht om een klacht in te dienen bij hun gegevensbeschermingsautoriteit.



**Count on it.**