



Count on it.

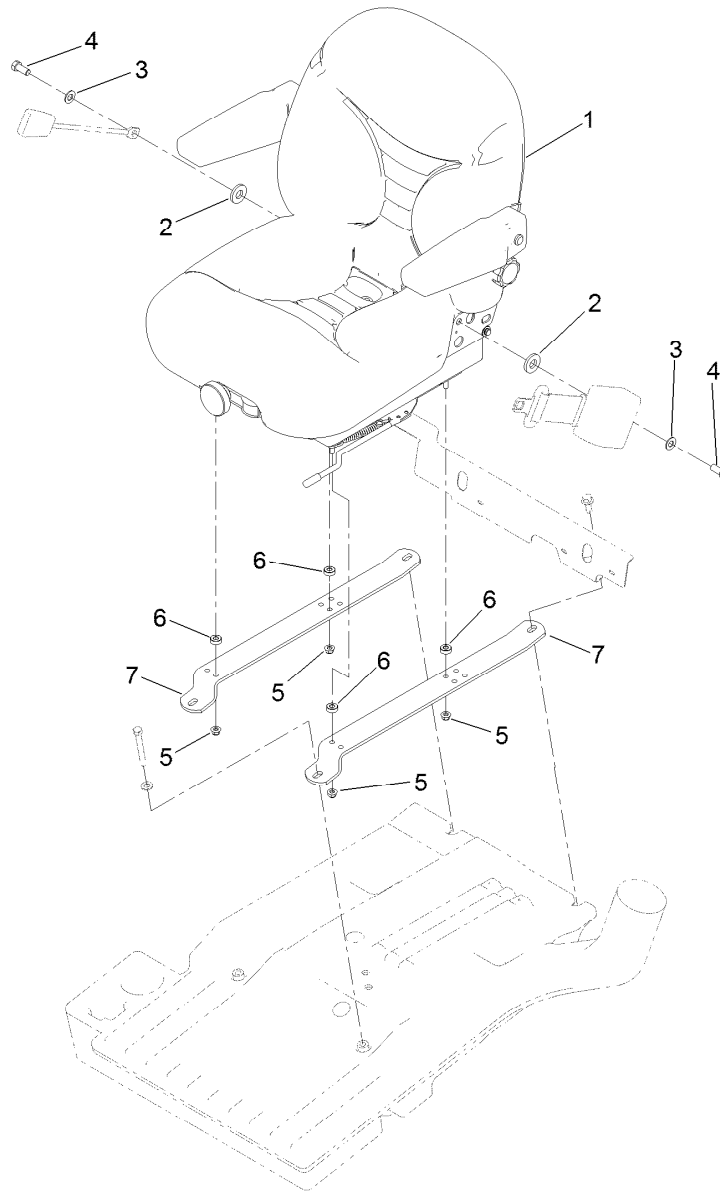
Parts Catalog

Premium Seat Kit

**Groundsmaster® 3500-D/3505-D and
Reelmaster® 3100-D**

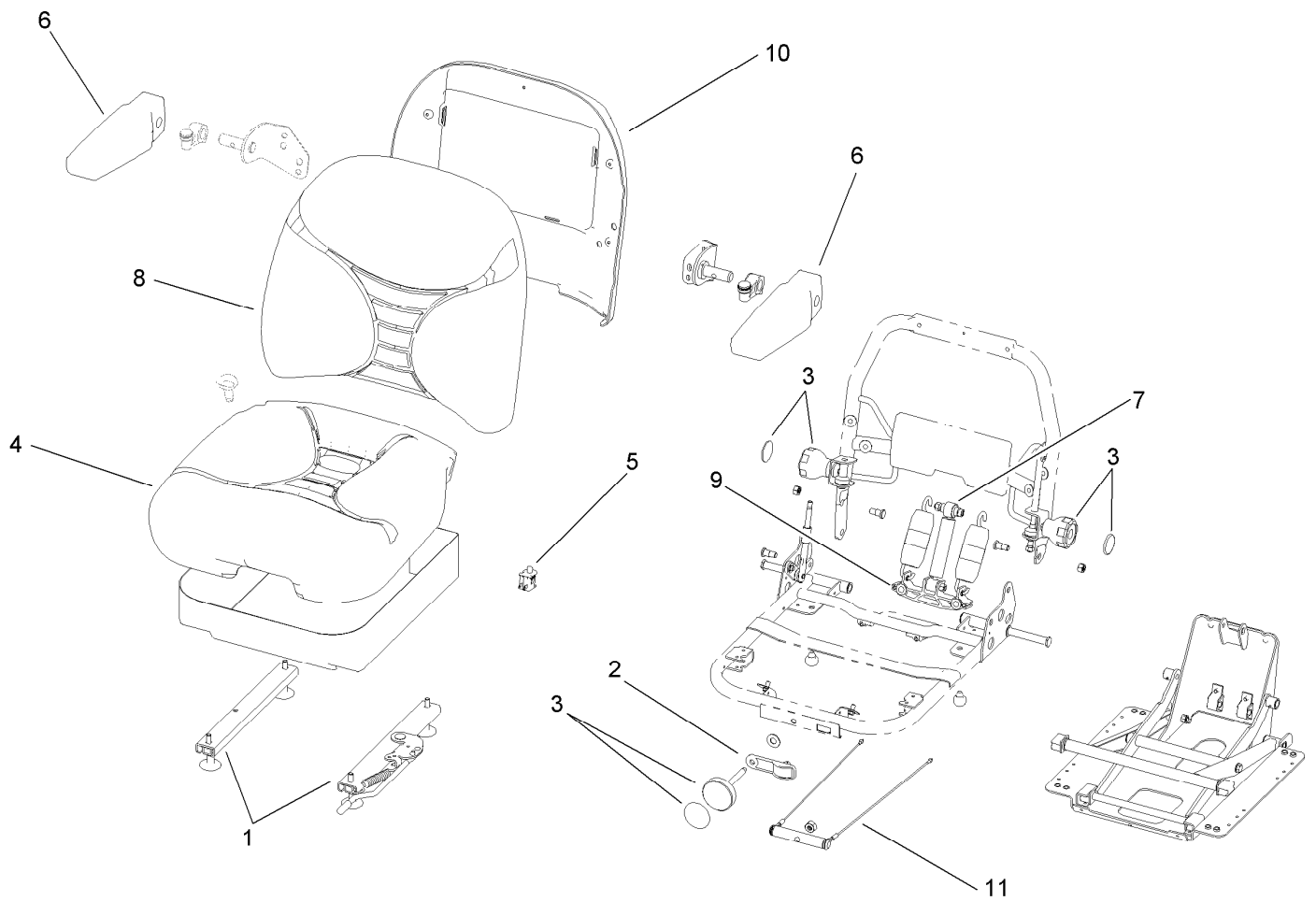
Model No. 30629





Premium Seat Assembly

<i>Ref.</i>	<i>Part Number</i>	<i>Qty.</i>	<i>Description</i>
1	107-2286	1	Seat
2	99-7667	2	Washer-Flat
3	3256-25	2	Washer-Flat
4	3212-4	2	Screw-HH
5	104-8300	4	Nut-HF, NI
6	130-2343	4	Spacer
7	104-0467-03	2	Strap-Support, Seat (For Use With Gm3500 Units)
7	104-4847-03	2	Strap-Support, Seat (For Use With Gm3100 Units)



Seat Assembly No. 107-2286

<i>Ref.</i>	<i>Part Number</i>	<i>Qty.</i>	<i>Description</i>
1	107-1880	1	Seat Track Kit
2	107-1885	1	Weight Indicator Kit
3	107-1881	1	Knob Kit
4	107-1883	1	Bottom Cushion Kit
5	82-2190	1	Switch-Bail
6	107-1887	1	Pad-Armrest
7	107-1884	1	Shock Absorber Kit
8	107-1882	1	Back Cushion Kit
9	109-3343	1	Spring And Saddle Kit
10	109-3344	1	Back Panel Kit
11	109-3345	1	Weight Adjust Kit



Count on it.