



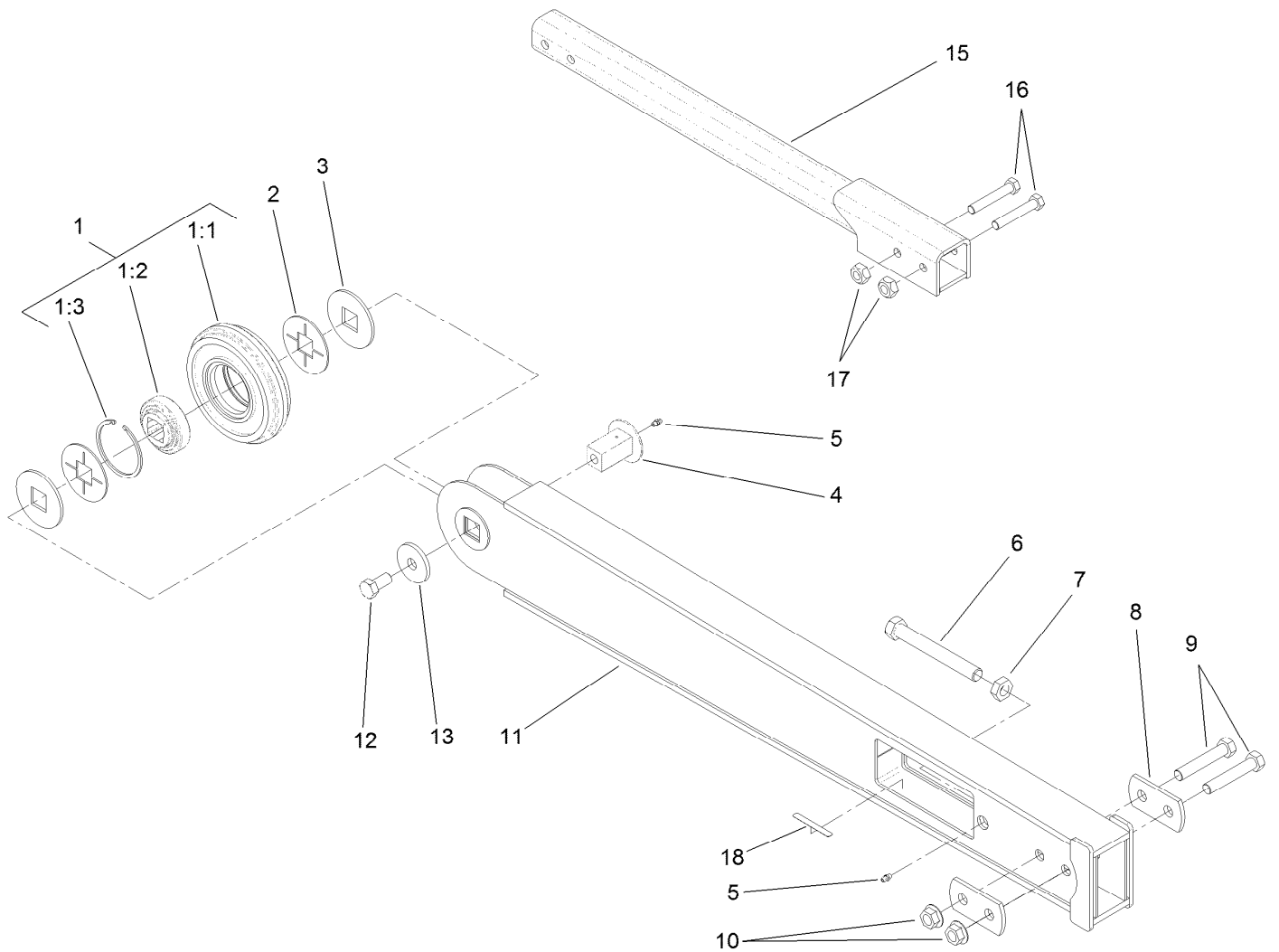
**Count on it.**

**Parts Catalog**

**48in Trencher Boom**

Model No. 22977





## Boom Assembly

<i>Ref.</i>	<i>Part Number</i>	<i>Qty.</i>	<i>Description</i>	<i>Ref.</i>	<i>Part Number</i>	<i>Qty.</i>	<i>Description</i>
1	107-9325	1	Trencher Roller ASM	8	104-1983-03	2	Plate-Support
1:1	104-1951	1	Roller-Nose	9	327-14	2	Screw-HH
1:2	104-1995	1	Bearing	10	32128-50	2	Nut-Flange
1:3	104-1945	1	Ring-Retaining	11	115-1247-03	1	48 Inch Boom ASM
2	104-1943	2	Spacer-Roller	12	327-3	1	Screw-HH
3	104-1942	2	Cap-Roller	13	104-5901	1	Washer
4	108-5549	1	Axle-Roller	15	115-3899-03	1	Safety Bar Extension ASM
5	302-5	2	Fitting-Grease	16	325-12	2	Screw-HH
6	104-1941	1	Bolt-Adjustment	17	32146-13	2	Nut-Hex
7	104-1944	1	Nut-Jam	18	133-8061	1	Decal-Warning