



Count on it.

Parts Catalog

**Auger Head
Compact Tool Carrier**

Model No. 22805—Serial No. 404320000 and Up



Ordering Replacement Parts

To order replacement parts, please supply the part number, the quantity, and the description of each part desired.

Understanding Reference Numbers

Each identified part in an illustration has a reference number. The reference number for a part also appears in the parts list, along with other information about the part.

This catalog uses two special reference number formats, one to indicate parts in a service assembly and another to indicate the quantity of a given part in an illustration.

Service Assembly Reference Numbers

Parts in service assemblies have reference numbers in the form a:b. The a represents the reference number of the entire service assembly and the b represents a sequential number unique to each part within the service assembly.

For example, a wheel assembly might be identified by reference number 6, the tire by 6:1, the valve by 6:2, and the wheel by 6:3. When you order the assembly identified by reference number 6, you receive all parts identified by reference numbers 6:1, 6:2, and 6:3. However, you may also order any part individually. Reference numbers of this type appear in illustration and in parts lists.

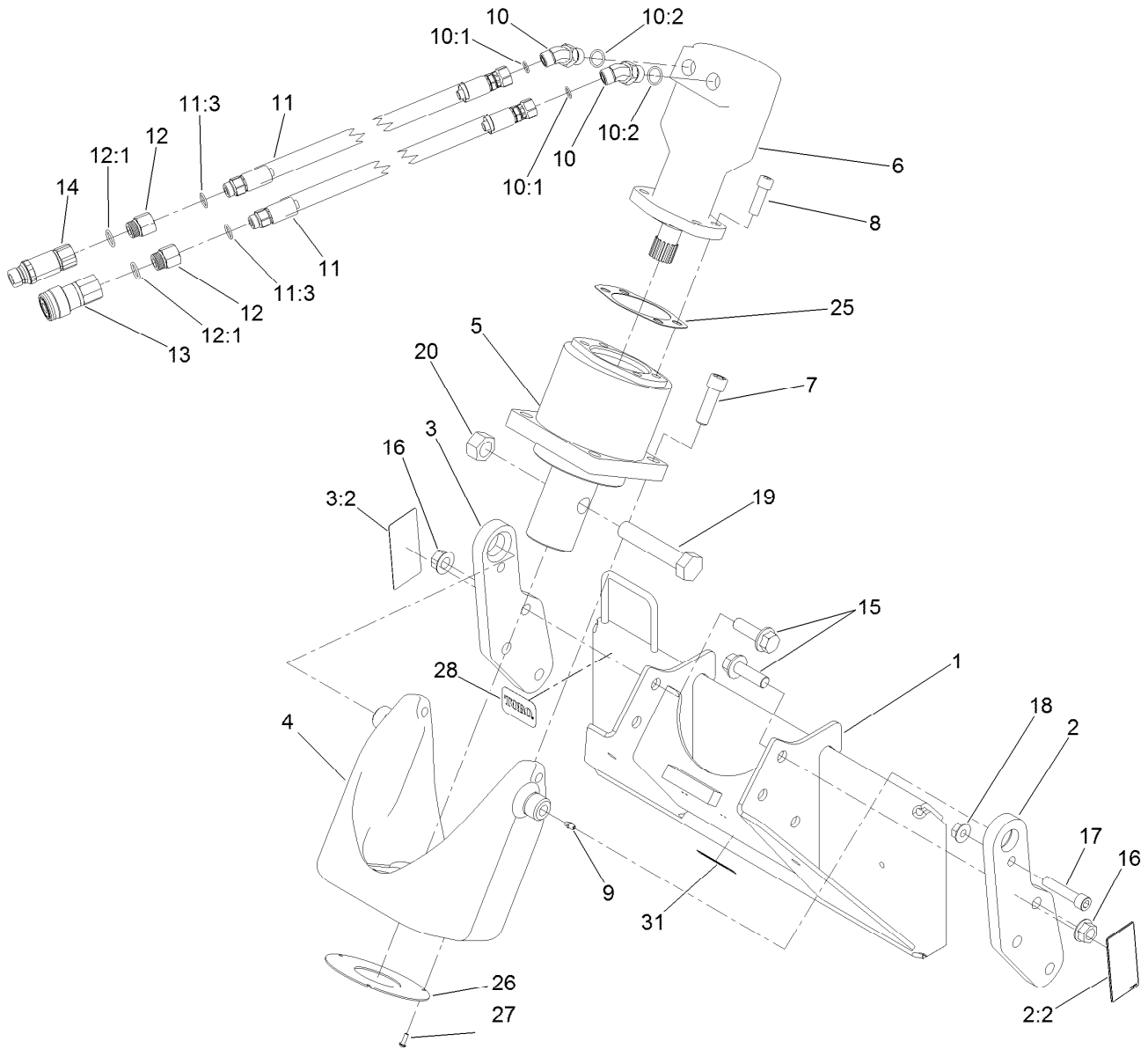
Reference Numbers Indicating Quantity

In an illustration, if a reference number indicates more than one part, the reference number has the form nX y. The n represents the quantity of the part, the X is the multiplication symbol, and the y represents the reference number.

For example, in an illustration, the reference number 2X 37 means that two of the parts identified by reference number 37 are indicated.

Contents

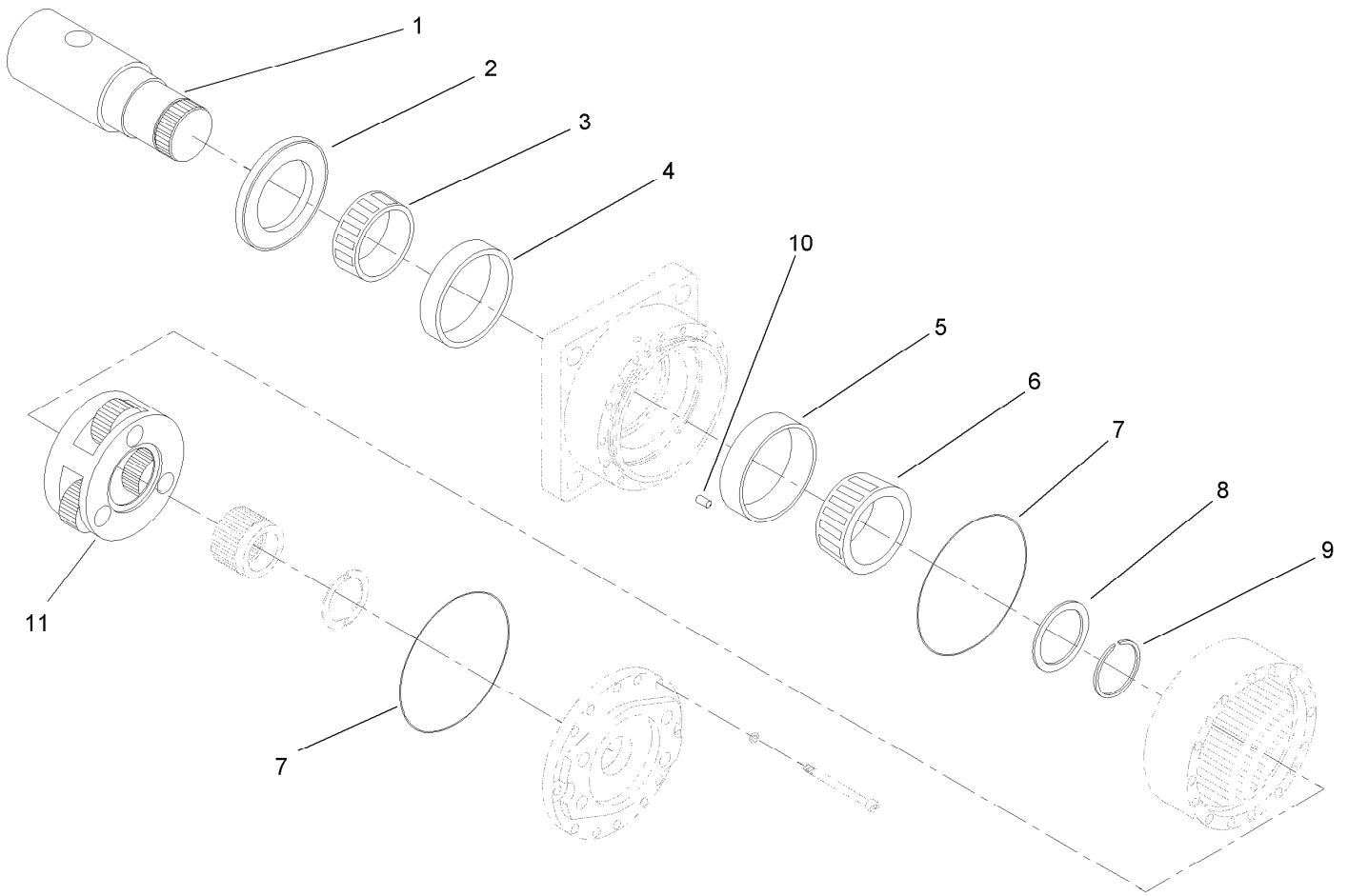
- Auger Head Assembly 4
- Planetary Drive Assembly No. 107-9352-03 5
- Hydraulic Motor Assembly No. 107-9351 6
- Attachments and Accessories 7



Auger Head Assembly

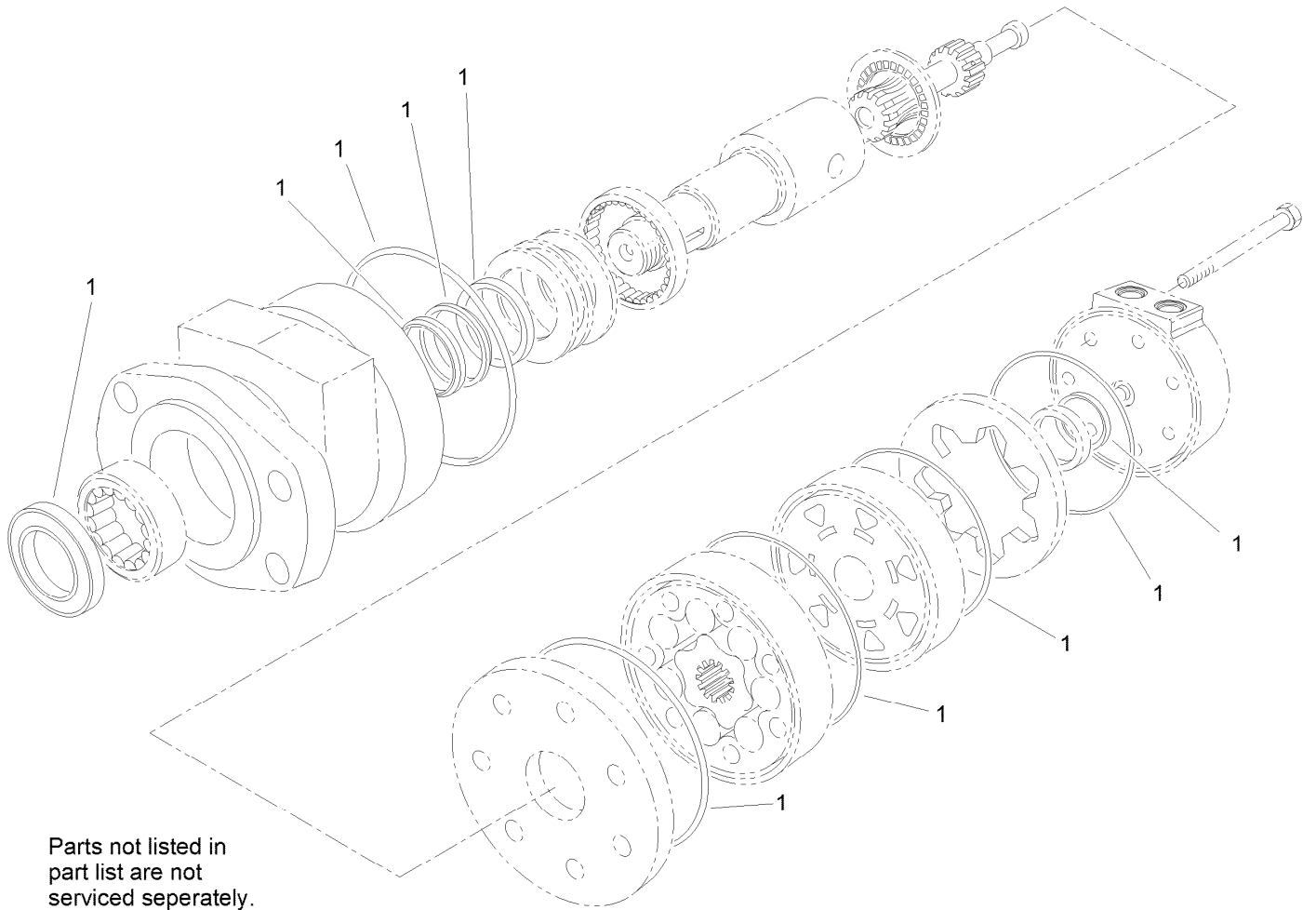
Ref.	Part Number	Qty.	Description	Ref.	Part Number	Qty.	Description
1	107-9362-03	1	Auger Mount ASM	12	100-4617	2	Adapter-HYD
2	106-7688	1	Plate-Pivot, LH	12:1	237-80	1	O-Ring
2:2	105-0326	1	Decal-Danger	13	104-6134	1	Coupler-Face, Flush
3	106-7689	1	Plate-Pivot, RH	14	100-4701	1	Nipple-Connect, Pressure
3:2	105-0326	1	Decal-Danger	14:1	100-6120	1	Seal Kit ●
4	107-9354-03	1	Yoke-Augerhead	15	104-5870	6	Screw
5	107-9352-03	1	Planetary Drive ASM	16	32128-50	6	Nut-Flange
6	107-9351	1	Motor-HYD	17	3274-71	1	Screw-HSH
7	107-9365	4	Screw-HSH	18	32128-49	1	Nut-HHF
8	3274-4	4	Screw-HSH	19	98-9062	1	Screw
9	302-5	2	Fitting-Grease	20	3217-15	1	Nut-Hex
10	340-89	2	Fitting-HYD, 45 DEG	25	99-5032	1	Gasket
10:1	237-30	1	O-Ring	26	107-9359-03	1	Plate-Guard, Seal
10:2	237-80	1	O-Ring	27	3274-39	3	Screw-HSBH
11	105-0321	2	HYD Hose ASM	28	98-3206	1	Decal
11:3	237-79	1	O-Ring	31	133-8061	1	Decal-Warning

● Not illustrated



Planetary Drive Assembly No. 107-9352-03

<i>Ref.</i>	<i>Part Number</i>	<i>Qty.</i>	<i>Description</i>
1	112-2761	1	Shaft-Planetary
2	112-2762	1	Seal-Oil
3	105-8120	1	Bearing-Cone
4	105-8119	1	Bearing-Cup
5	105-8117	1	Bearing-Cup
6	105-8118	1	Bearing-Cone
7	112-2763	2	O-Ring
8	112-2764	1	Spacer-Bearing
9	112-2765	1	Ring-Snap, Bearing
10	105-8121	2	Pin-Dowel
11	105-8130	1	Carrier-Secondary



Hydraulic Motor Assembly No. 107-9351

<i>Ref.</i>	<i>Part Number</i>	<i>Qty.</i>	<i>Description</i>
1	94-8178	1	Seal Kit

Attachments and Accessories

For 22805 Auger Head Compact Tool Carrier

Product Name	Model/Part
Cement Bowl	22442
Capstan Adaptor.....	22450
Screw Anchor Adaptor.....	22451
Rock Auger	22454
6in Auger Bit	22810
9in Auger Bit	22811
12in Auger Bit	22812
15in Auger Bit	22813
18in Auger Bit	22814
24in Auger Bit	22815
30in Auger Bit	22816
12in Auger Bit Extension	22818
24in Auger Bit Extension	22819



Count on it.