



Count on it.

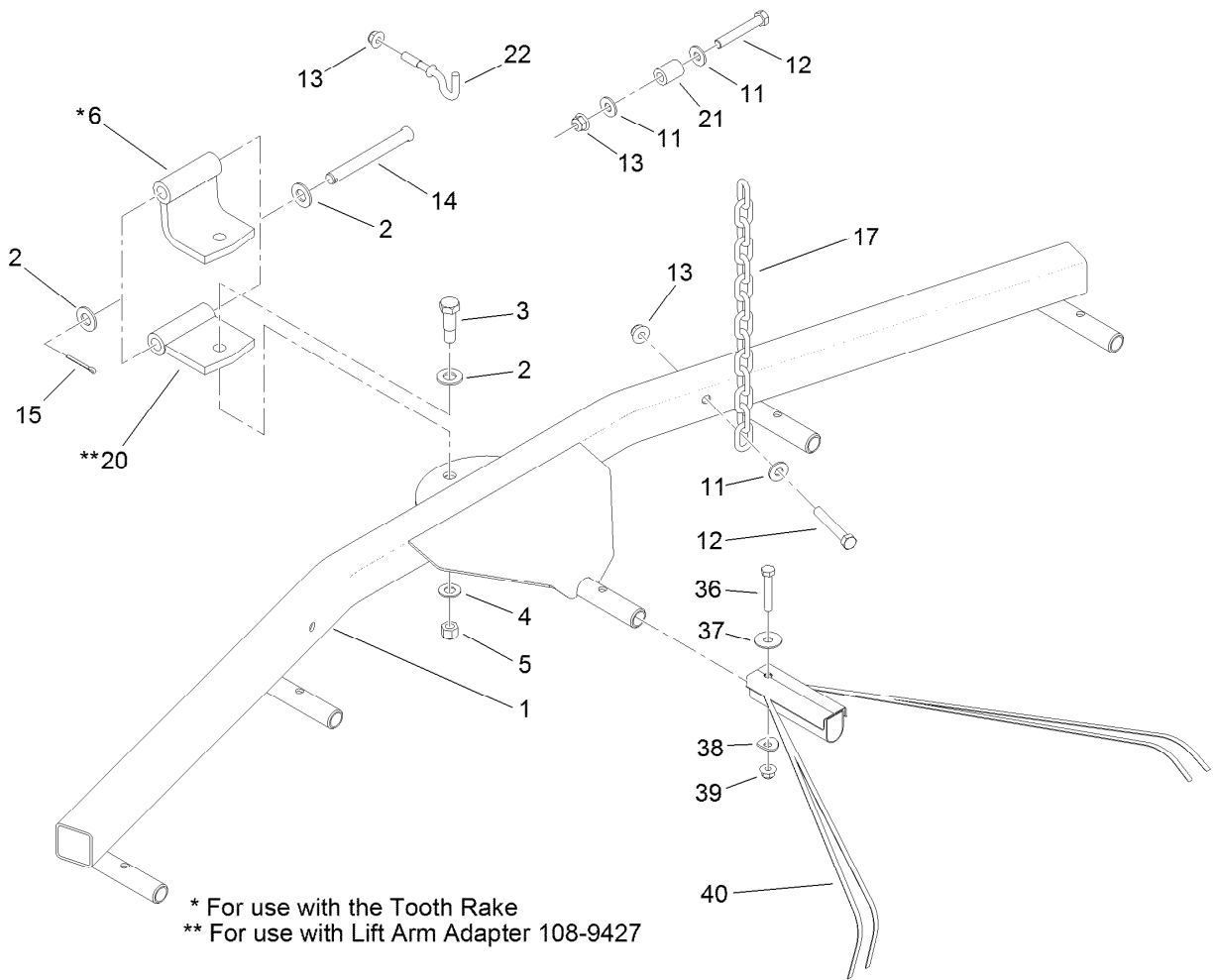
Parts Catalog

Spring Rake

Sand/Infield Pro[®] 3040 and 5040 Traction Unit

Model No. 08752—Serial No. 270000001 and Up





Spring Rake Assembly

Ref.	Part Number	Qty.	Description	Ref.	Part Number	Qty.	Description
1	108-3198-03	1	Hanger ASM	17	84-2452	2	Chain-14 Link, Straight
2	3256-26	3	Washer-Flat	19	108-9427	1	Lift Arm Adapter ASM ●■
3	80-2050	1	Bolt-Shoulder	20	112-1428-03	1	Pivot ASM
4	3256-25	1	Washer-Flat	21	98-8895	2	Spacer
5	3296-48	1	Nut-Lock, NI	22	80-2040	2	Hook
6	108-9429-03	1	Pivot ASM	36	322-11	5	Screw-HH
11	3256-3	6	Washer-Flat	37	3256-82	5	Washer-Flat
12	323-47	4	Screw-HH	38	117-4687	5	Washer-Cup
13	104-8301	4	Nut-HF, NI	39	104-7201	5	Nut-HF
14	283-83	1	Pin-Clevis	40	120-3468	5	Rake-Spring
15	3272-12	1	Pin-Cotter				

● Not illustrated

■ Optional Equipment

Attachments and Accessories

For 08752 Spring Rake Sand/Infield Pro 3040 and 5040 Traction Unit

Product Name

Model/Part

Lift Arm Adapter ASM 108-9427



Count on it.