



Count on it.

Parts Catalog

24in Stand-On Aerator

Model No. 29516—Serial No. 404320000 and Up



Ordering Replacement Parts

To order replacement parts, please supply the part number, the quantity, and the description of each part desired.

Understanding Reference Numbers

Each identified part in an illustration has a reference number. The reference number for a part also appears in the parts list, along with other information about the part.

This catalog uses two special reference number formats, one to indicate parts in a service assembly and another to indicate the quantity of a given part in an illustration.

Service Assembly Reference Numbers

Parts in service assemblies have reference numbers in the form a:b. The a represents the reference number of the entire service assembly and the b represents a sequential number unique to each part within the service assembly.

For example, a wheel assembly might be identified by reference number 6, the tire by 6:1, the valve by 6:2, and the wheel by 6:3. When you order the assembly identified by reference number 6, you receive all parts identified by reference numbers 6:1, 6:2, and 6:3. However, you may also order any part individually. Reference numbers of this type appear in illustration and in parts lists.

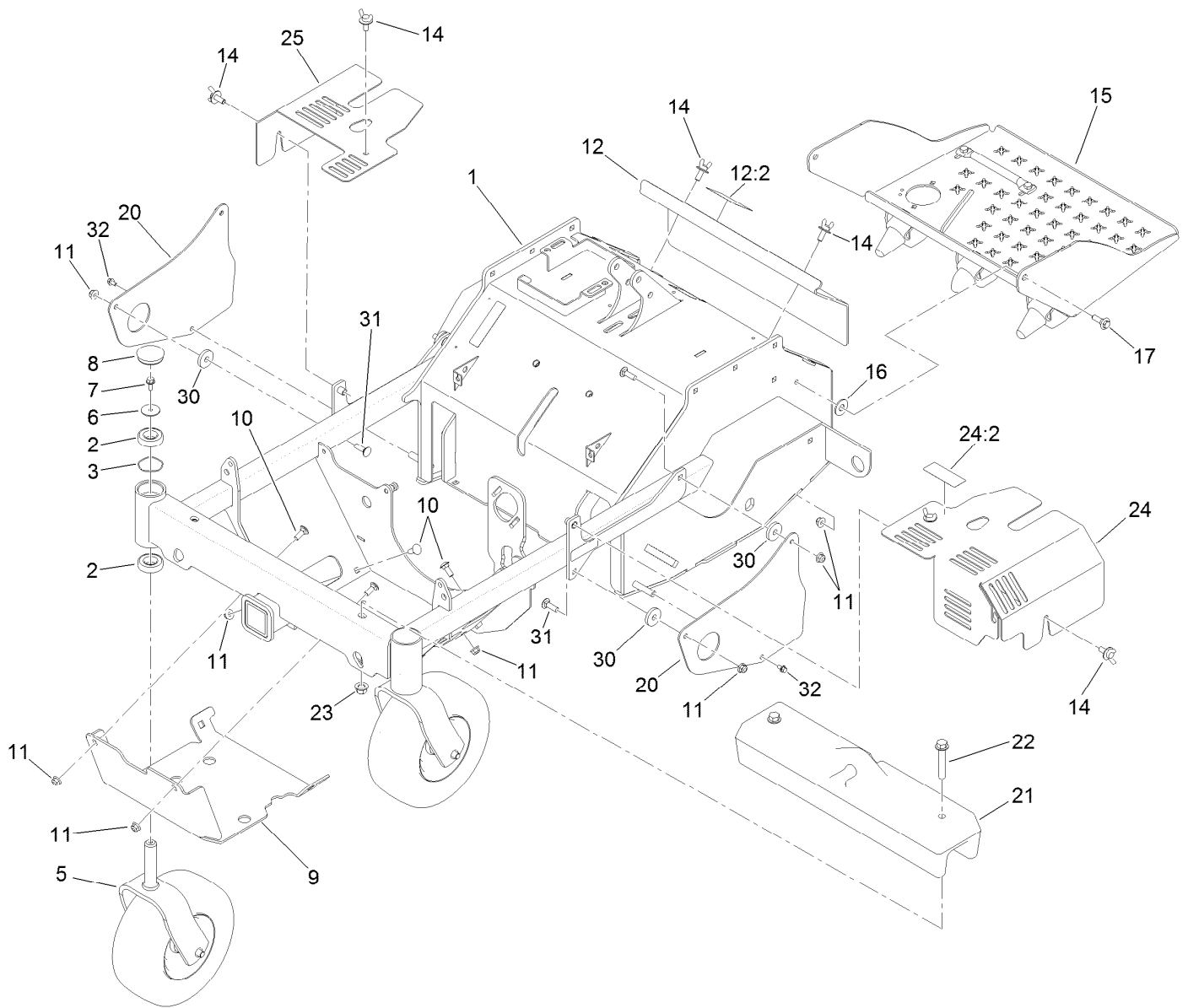
Reference Numbers Indicating Quantity

In an illustration, if a reference number indicates more than one part, the reference number has the form nX y. The n represents the quantity of the part, the X is the multiplication symbol, and the y represents the reference number.

For example, in an illustration, the reference number 2X 37 means that two of the parts identified by reference number 37 are indicated.

Contents

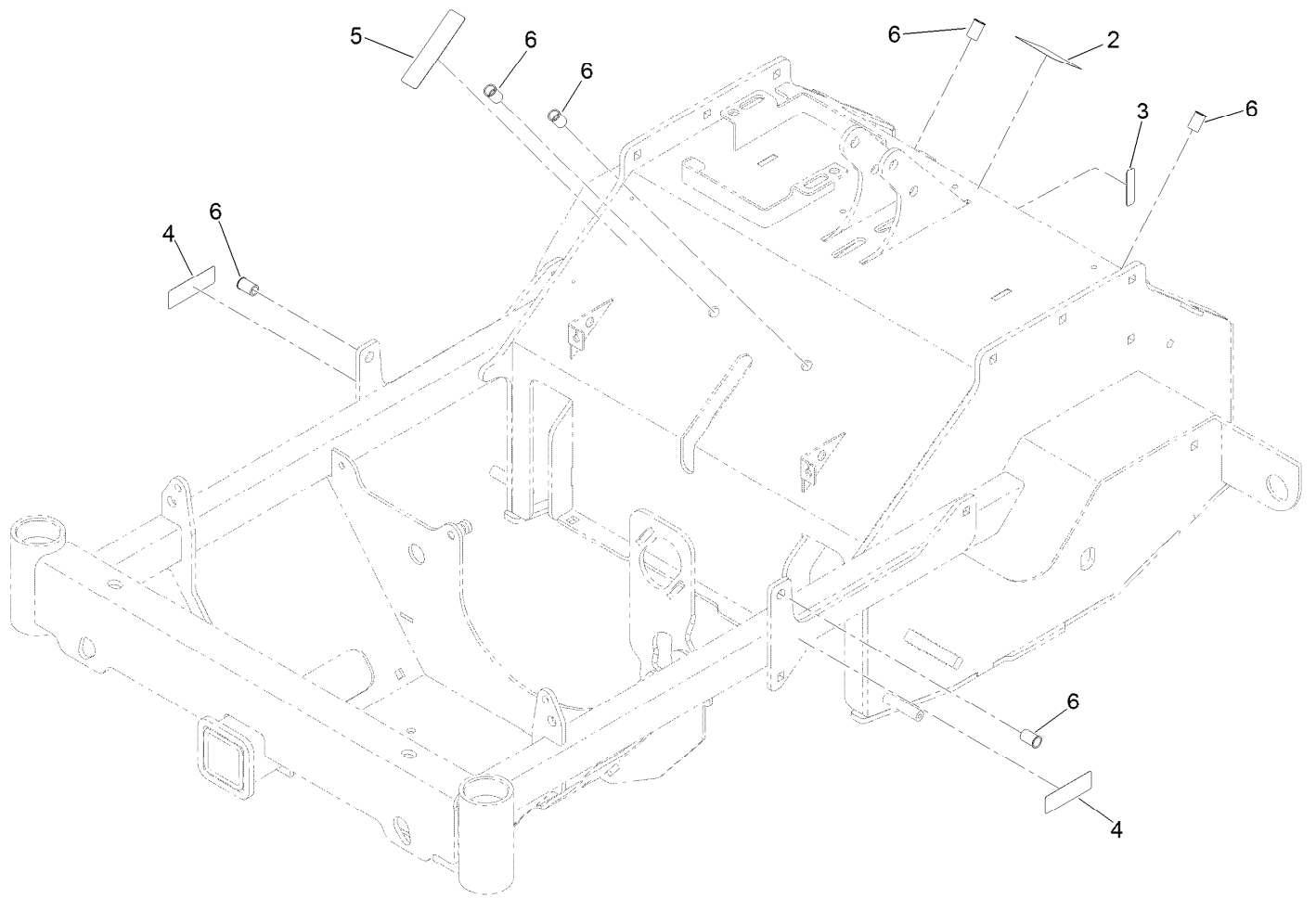
Frame Assembly.....	4
Main Frame Assembly No. 135-5236.....	5
Front Caster Assembly.....	6
Platform Assembly No. 126-9883.....	7
Control Tower and Brake Assembly.....	8
Control Tower Assembly No. 135-1701.....	9
Ground Drive Assembly.....	10
LH Transaxle Assembly No. 126-9064.....	12
RH Transaxle Assembly No. 126-9065.....	13
Wheel and Tire Assembly No. 126-9846.....	14
Idler Arm Assembly No. 126-9116.....	15
Tine Assembly.....	16
Left Hand Tine Wheel Assembly No. 126-9550.....	17
Right Hand Tine Wheel Assembly No. 126-9551.....	18
Motion Control Assembly.....	19
Electrical Assembly.....	20
Wire Harness Assembly No. 126-9535.....	22
Auxiliary Hydraulic Assembly.....	24
Manifold Assembly No. 126-9321.....	26
Engine Assembly.....	28



Frame Assembly

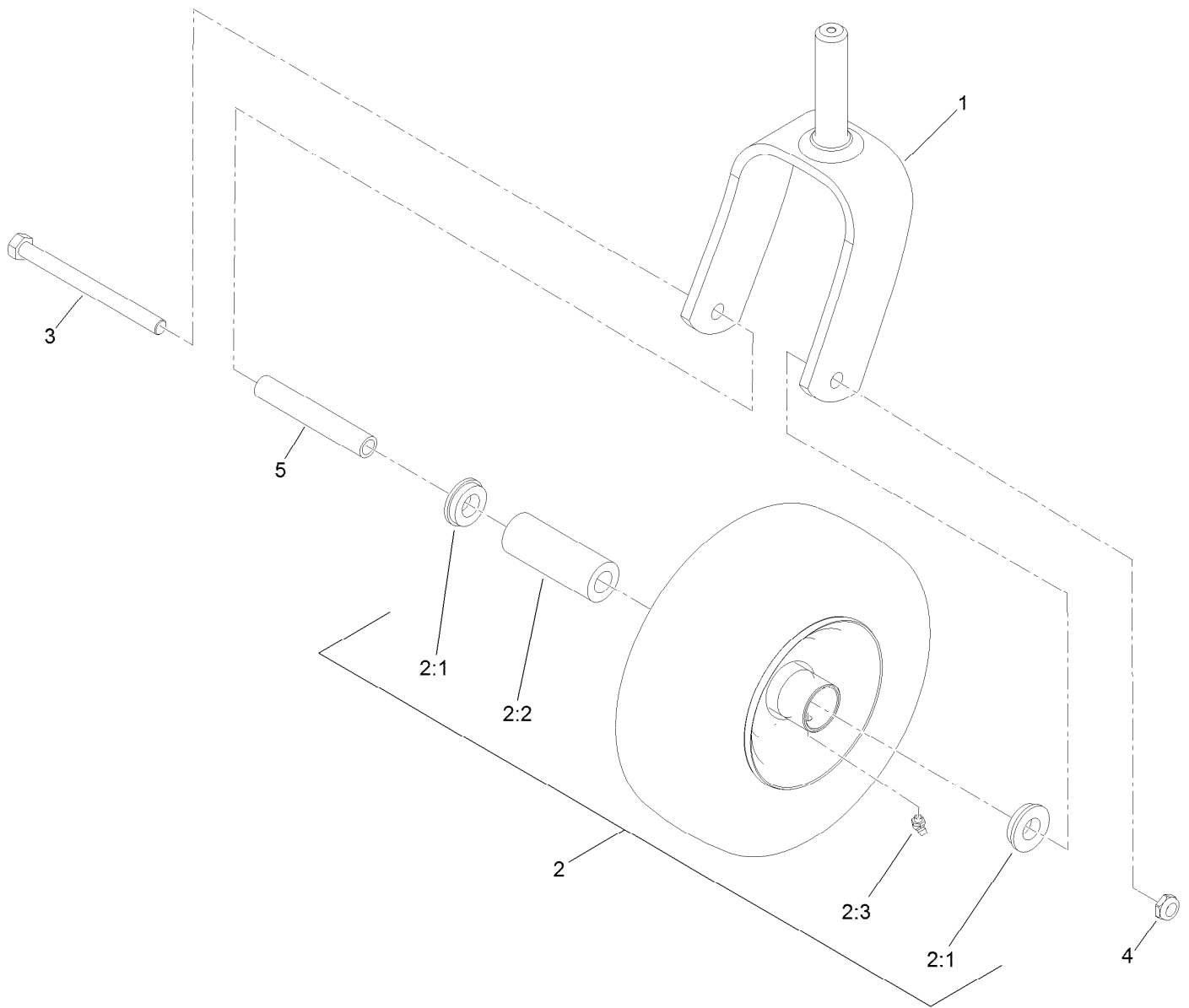
Ref.	Part Number	Qty.	Description	Ref.	Part Number	Qty.	Description
1	135-5236	1	Main Frame ASM	15	126-9883	1	Platform ASM
2	109-3678	4	Bearing-Ball	16	3256-6	2	Washer-Flat
3	126-5897	2	Spring	17	614672	2	Screw-Shoulder, HWH
5		2	Front Caster ASM ●	20	135-5138-01	2	Guard-Chain
6	3256-68	2	Washer-Flat	21	135-2017	1	Weight-Front
7	3234-5	2	Screw-HHF	22	3234-40	2	Screw-HF
8	116-4348	2	Cap-Grease	23	99-5107	2	Nut-Lock
9	126-8726-03	1	Guard-Engine	24	135-3270	1	Hydro-Cover
10	3231-2	4	Bolt-CARR	24:2	135-3183	1	Decal-Release, Drive
11	104-8301	10	Nut-HF, NI	25	135-0822-03	1	Cover-Hydro
12	126-8801	1	Access Cover ASM	30	1-543610	4	Washer-Clutch
12:2	121-6163	1	Decal-Operation, Tine Ground (CE)	31	3231-25	4	Bolt-CARR
14	135-4629	6	Screw-Sems (3/8-16 X 1)	32	3234-13	2	Screw-HHF

● Not serviced separately



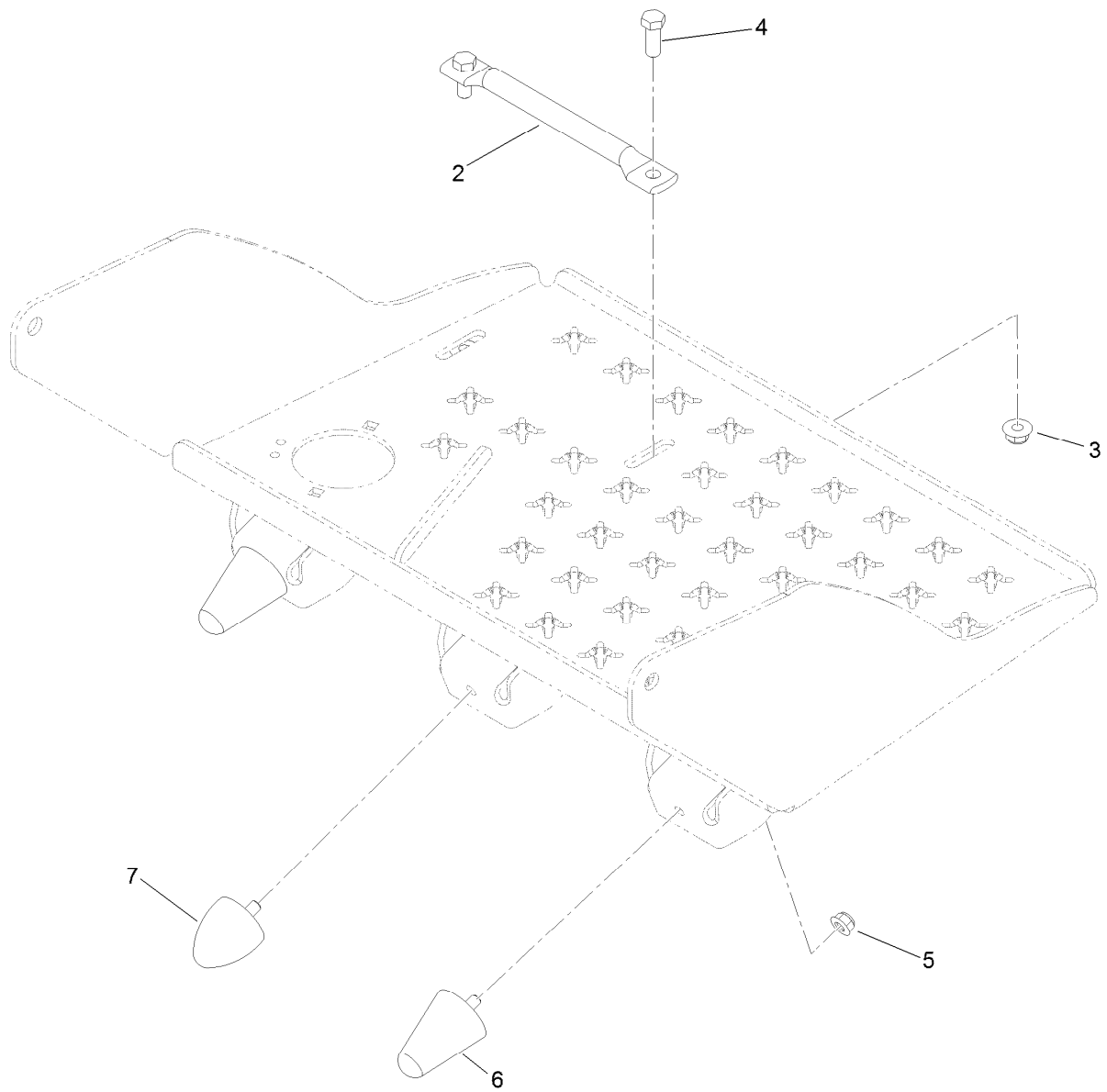
Main Frame Assembly No. 135-5236

<i>Ref.</i>	<i>Part Number</i>	<i>Qty.</i>	<i>Description</i>
2	121-6150	1	Decal-Warning
3	120-9570	1	Decal-Warning
4	121-6161	2	Decal-Danger
5	133-8062	1	Decal-Arrestor, Spark
6	32148-10	6	Nut-Clinch



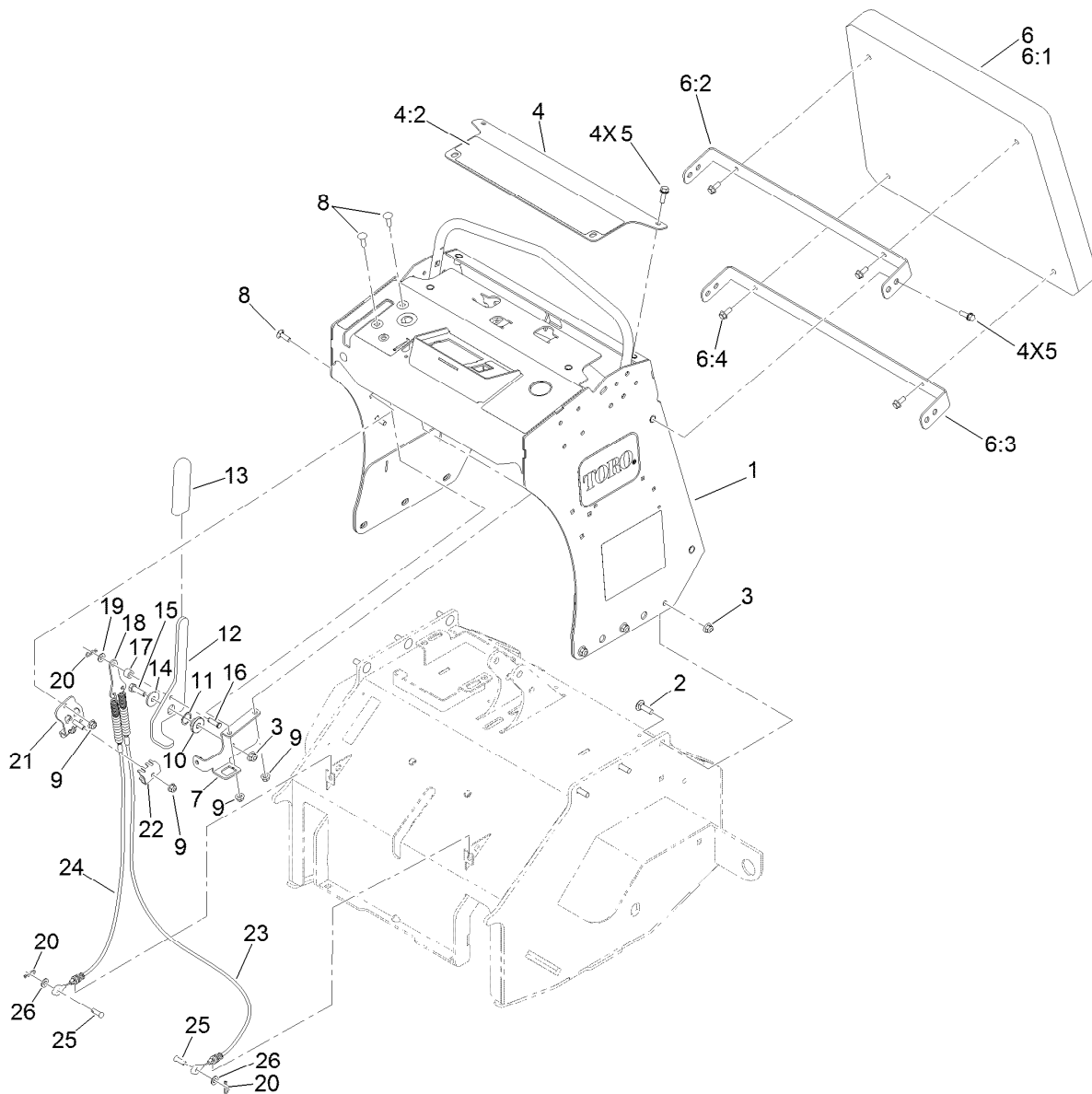
Front Caster Assembly

Ref.	Part Number	Qty.	Description
1	135-1354-01	1	Fork-Caster
2	126-9724	1	Wheel And Tire ASM
2:1	1-513810	2	Bushing
2:2	1-513809	1	Bearing
2:3	302-61	1	Fitting-Grease
3	325-20	1	Screw-HH
4	3296-45	1	Nut-Hex
5	1-513547	1	Spacer



Platform Assembly No. 126-9883

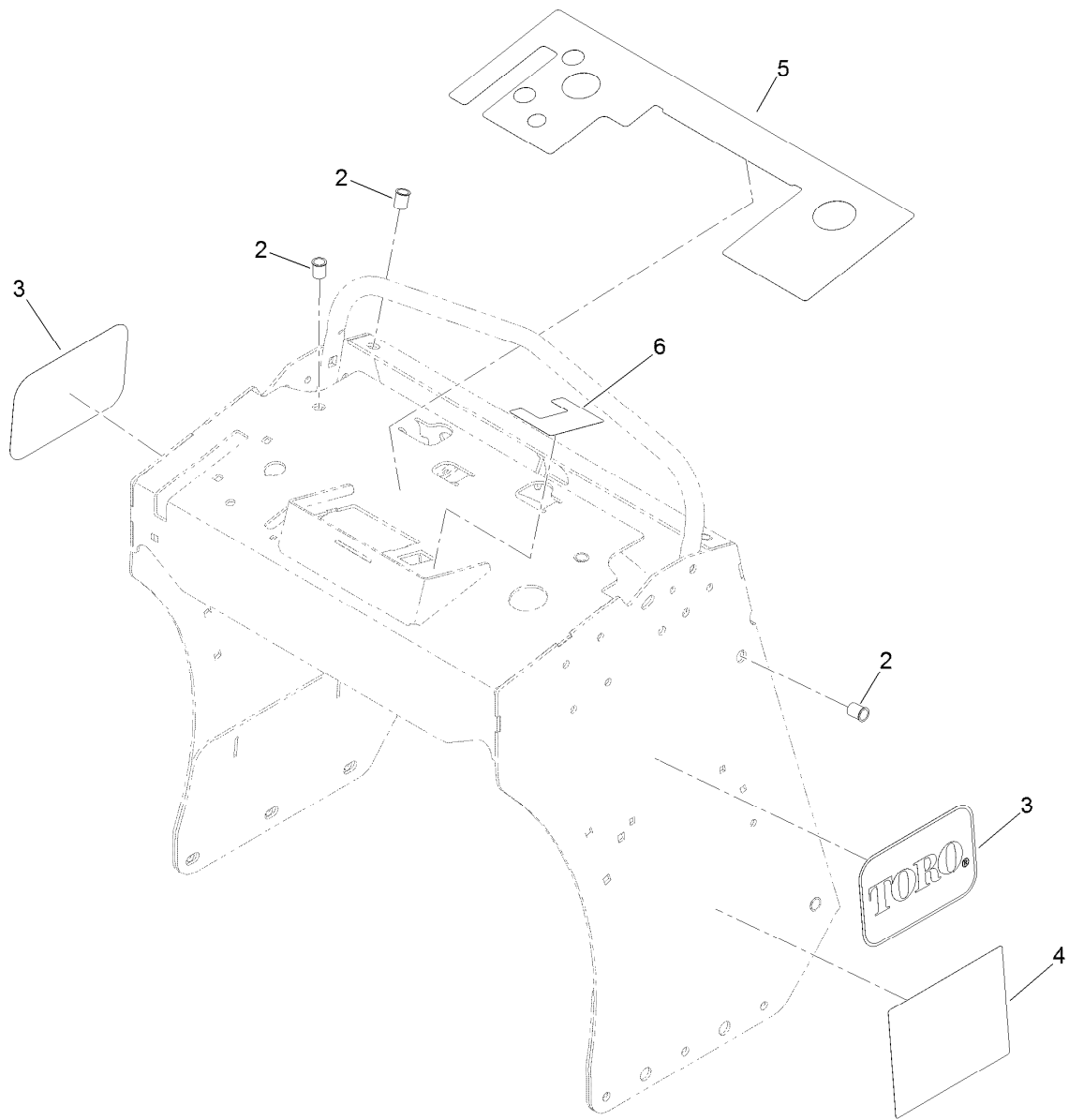
<i>Ref.</i>	<i>Part Number</i>	<i>Qty.</i>	<i>Description</i>
2	116-8950-01	1	Rocker-Pedal, Foot
3	104-8301	2	Nut-HF, NI
4	323-6	2	Screw-HH
5	104-8300	3	Nut-HF, NI
6	114-1925	2	Bumper-Rubber
7	114-1926	1	Bumper-Rubber



Control Tower and Brake Assembly

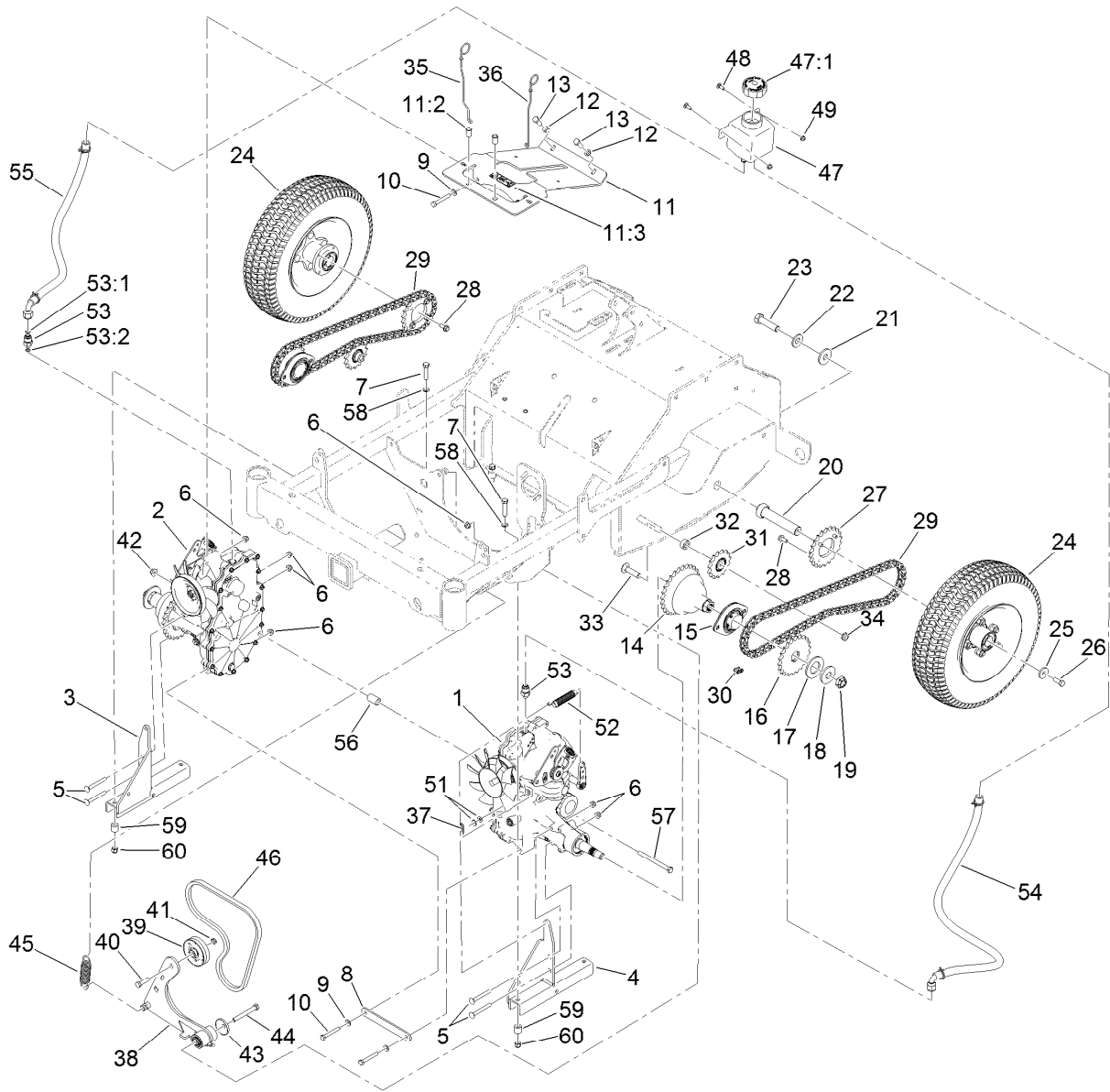
Ref.	Part Number	Qty.	Description	Ref.	Part Number	Qty.	Description
1	135-1701	1	Control Tower ASM	12	135-1715	1	Handle-Brake
2	3231-25	6	Bolt-CARR	13	1-633268	1	Grip-Lever
3	104-8301	7	Nut-HF, NI	14	2844	1	Washer
4	135-1696	1	Control Panel ASM	15	323-7	1	Screw-HH
4:2	135-2014	1	Decal-Warning	16	283-61	1	Pin-Yoke
5	3234-29	8	Screw-HHF	17	114-8549	1	Bushing
6		1	Cushion ASM ●	18	132-1188	1	Yoke-Cable
6:1	135-1694	1	Cushion-Black	19	93-6079	1	Spacer-Nylon
6:2	135-1712-03	1	Bracket-Pad, Upper	20	3290-307	3	Pin-Cotter
6:3	135-1713-03	1	Bracket-Pad, Lower	21	132-7582	1	Mount-Cable, Brake
6:4	98-9940	4	Screw-HHF	22	132-1187	1	Clamp-Cable
7	135-1714-03	1	Bracket-Pivot, Brake	23	135-0081	1	Cable-Brake, LH
8	3230-22	5	Screw-CARR	24	135-0082	1	Cable-Brake, RH
9	104-8300	6	Nut-HF, NI	25	283-75	2	Pin-Clevis
10	126-5989	1	Pivot-Flange	26	3256-23	2	Washer-Plain
11	119-4164	1	Washer-Wave				

● Not serviced separately



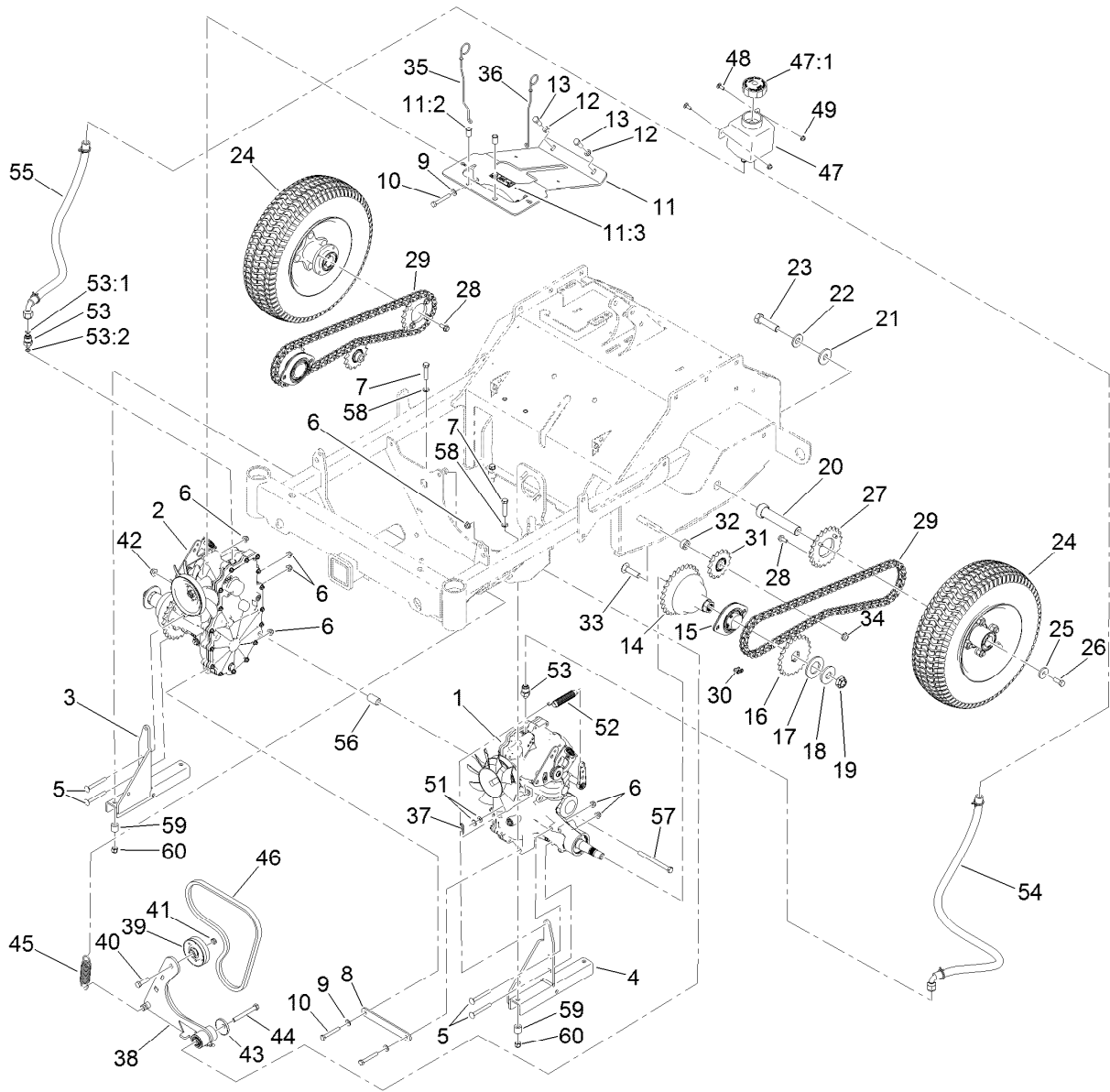
Control Tower Assembly No. 135-1701

<i>Ref.</i>	<i>Part Number</i>	<i>Qty.</i>	<i>Description</i>
2	32148-7	8	Nut-Clinch
3	62-5550	2	Decal
4	135-3685	1	Decal-Aid, Service
5	135-2013	1	Decal-Panel, Control
6	135-2016	1	Decal-Control, Tine



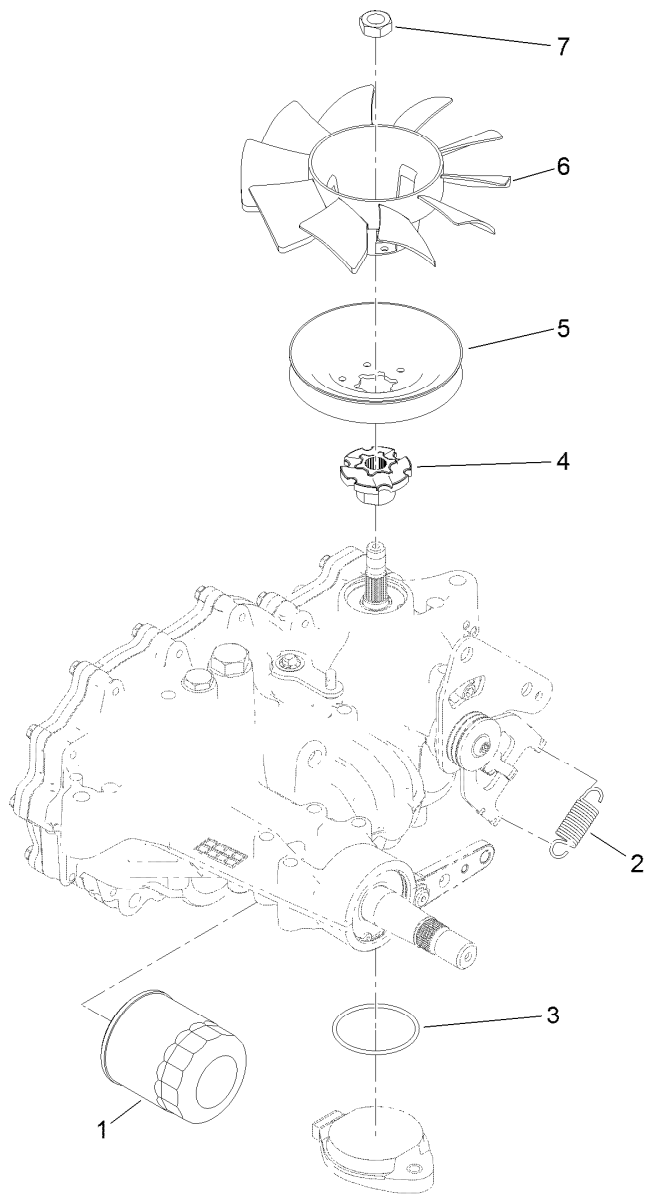
Ground Drive Assembly

Ref.	Part Number	Qty.	Description	Ref.	Part Number	Qty.	Description
1	126-9064	1	Hydro-Zt3100, LH	20	135-1895	2	Axle-Wheel, Drive
2	126-9065	1	Hydro-Zt3100, RH	21	135-1894	2	Washer-Spacer
3	135-2004-03	1	Mount-Hydro, RH	22	125-1736	2	Washer-Belleville
4	135-2006-03	1	Mount-Hydro, LH	23	327-7	2	Screw-HH
5	3230-9	4	Screw-CARR	24	126-9846	2	Wheel And Tire ASM
6	104-8300	8	Nut-HF, NI	25	53-6380	3	Washer-Flat
7	323-52	4	Screw-HH	26	3235-22	2	Screw-HH, Lock
8	126-9092-03	1	Crossmember-Transmission	27	126-9075	2	Sprocket
9	1-303334	4	Washer-Spring	28	98-9940	8	Screw-HHF
10	132-3838	4	Screw-HH	29	135-1100	2	Chain-Roller
11	135-2497	1	Support-Cover	30	116-6897	2	Link-Connecting
11:2	32148-10	2	Nut-Clinch	31	126-9108	2	Sprocket-Idler, 15T
11:3	121-6161	1	Decal-Danger	32	126-9498	2	Spacer
12	3253-21	2	Washer-Lock	33	3233-4	2	Screw-CARR
13	323-6	2	Screw-HH	34	3296-45	2	Nut-Hex
14	135-0537	2	Hub-Bell	35	135-0683	1	Rod-Bypass, LH
15	135-1056	2	Bearing-Flanged	36	135-0685	1	Rod-Bypass, RH
16	135-0347	2	Sprocket	37	3290-307	2	Pin-Cotter
17	135-0360	2	Washer-Spacer	38	126-9116	1	Idler Arm ASM
18	26-1990	2	Washer-Belleville	39	116-9715	1	Pulley-Idler
19	116-2839	2	Nut-Lock	40	323-29	1	Screw-HH



Ground Drive Assembly (continued)

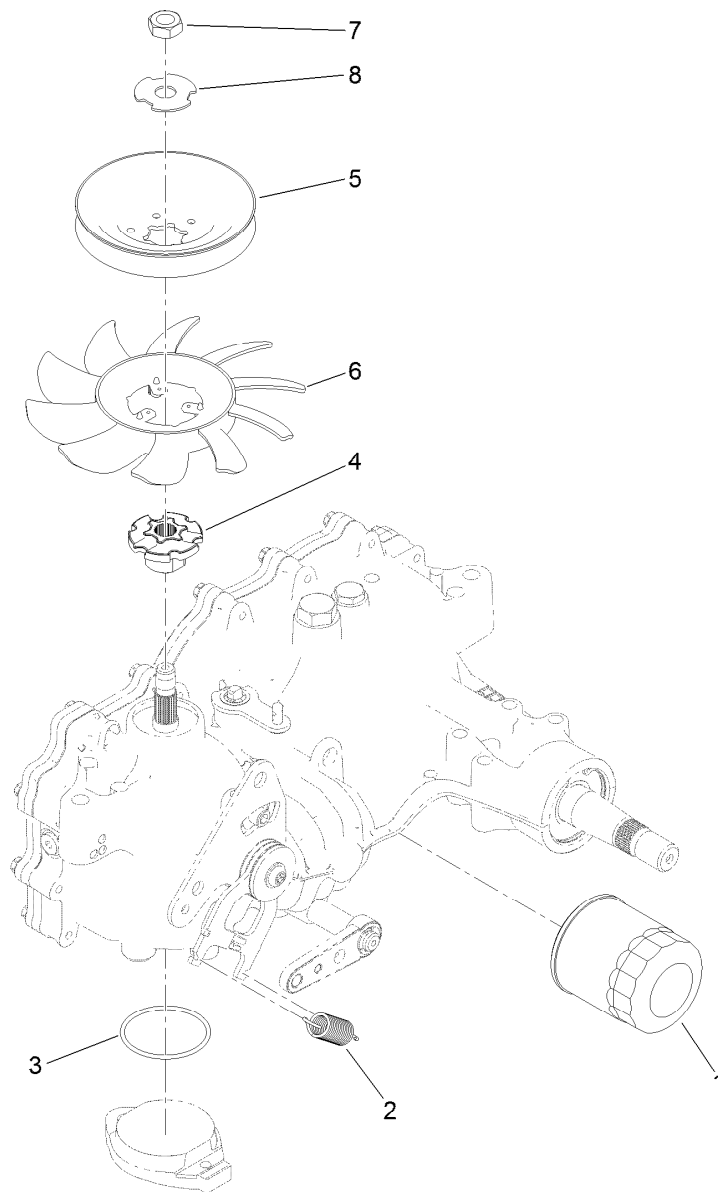
<i>Ref.</i>	<i>Part Number</i>	<i>Qty.</i>	<i>Description</i>	<i>Ref.</i>	<i>Part Number</i>	<i>Qty.</i>	<i>Description</i>
41	3296-59	2	Nut-Lock, NI	52	109-7124	2	Spring-Extension
42	104-8301	1	Nut-HF, NI	53	135-3138	2	Fitting-Straight
43	103-2916	1	Guard-Top	53:1	237-78	1	O-Ring
44	323-20	1	Screw-HH	53:2	1-603992	1	O-Ring
45	1-603402	1	Spring-Extension	54	135-0061	1	Hose ASM
46	126-9834	1	Belt-V, Cogged	55	135-0062	1	Hose ASM
47	109-2250	1	Tank-HYD	56	135-0124	1	Spacer
47:1	109-3320	1	Cap-Reservoir, HYD	57	323-23	1	Screw-HH
48	3229-1	2	Bolt-CARR	58	106-5592	4	Spacer-Brake, Parking
49	104-7201	2	Nut-HF	59	98-8895	4	Spacer
51	119-8952	4	Washer	60	112-0236	4	Nut-Lock



LH Transaxle Assembly No. 126-9064

<i>Ref.</i>	<i>Part Number</i>	<i>Qty.</i>	<i>Description</i>
1	109-3321	1	Element-Oil Filter, HYD
2	135-3931	1	Spring-Extension
3	109-3540	1	O Ring-Seal
4	116-9705	1	Hub-Pulley
5	116-9707	1	Pulley
6	126-0291	1	Fan-7.0 Inch (10 Blade)
7	116-9714	1	Nut-HJ
99	135-3604	1	Brake Shaft Seal Kit ●

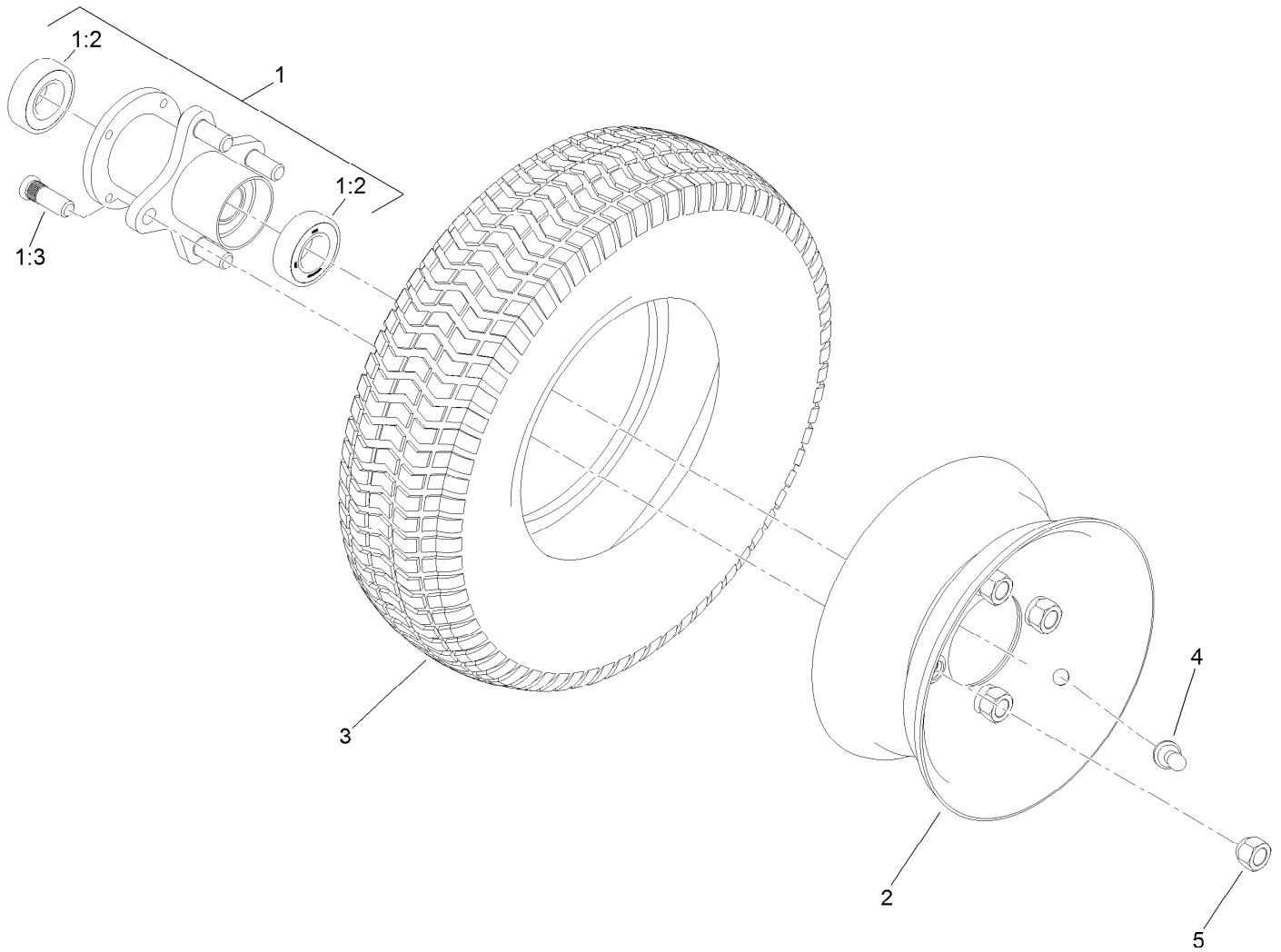
● Not illustrated



RH Transaxle Assembly No. 126-9065

<i>Ref.</i>	<i>Part Number</i>	<i>Qty.</i>	<i>Description</i>
1	109-3321	1	Element-Oil Filter, HYD
2	135-3931	1	Spring-Extension
3	109-3540	1	O Ring-Seal
4	116-9705	1	Hub-Pulley
5	116-9707	1	Pulley
6	116-9706	1	Fan
7	116-9714	1	Nut-HJ
8	116-9708	1	Washer-Slotted
99	135-3604	1	Brake Shaft Seal Kit ●

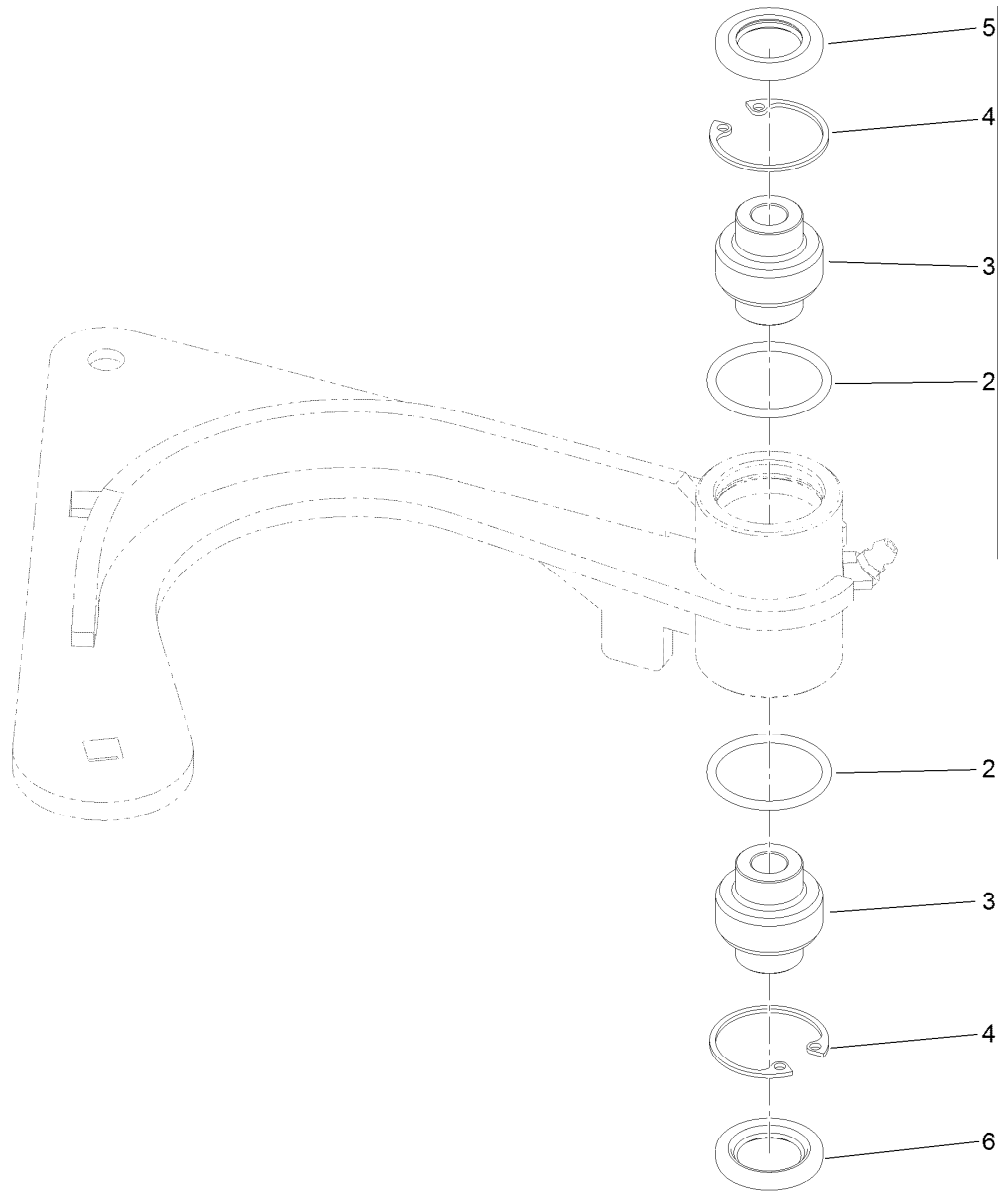
● Not illustrated



Wheel and Tire Assembly No. 126-9846

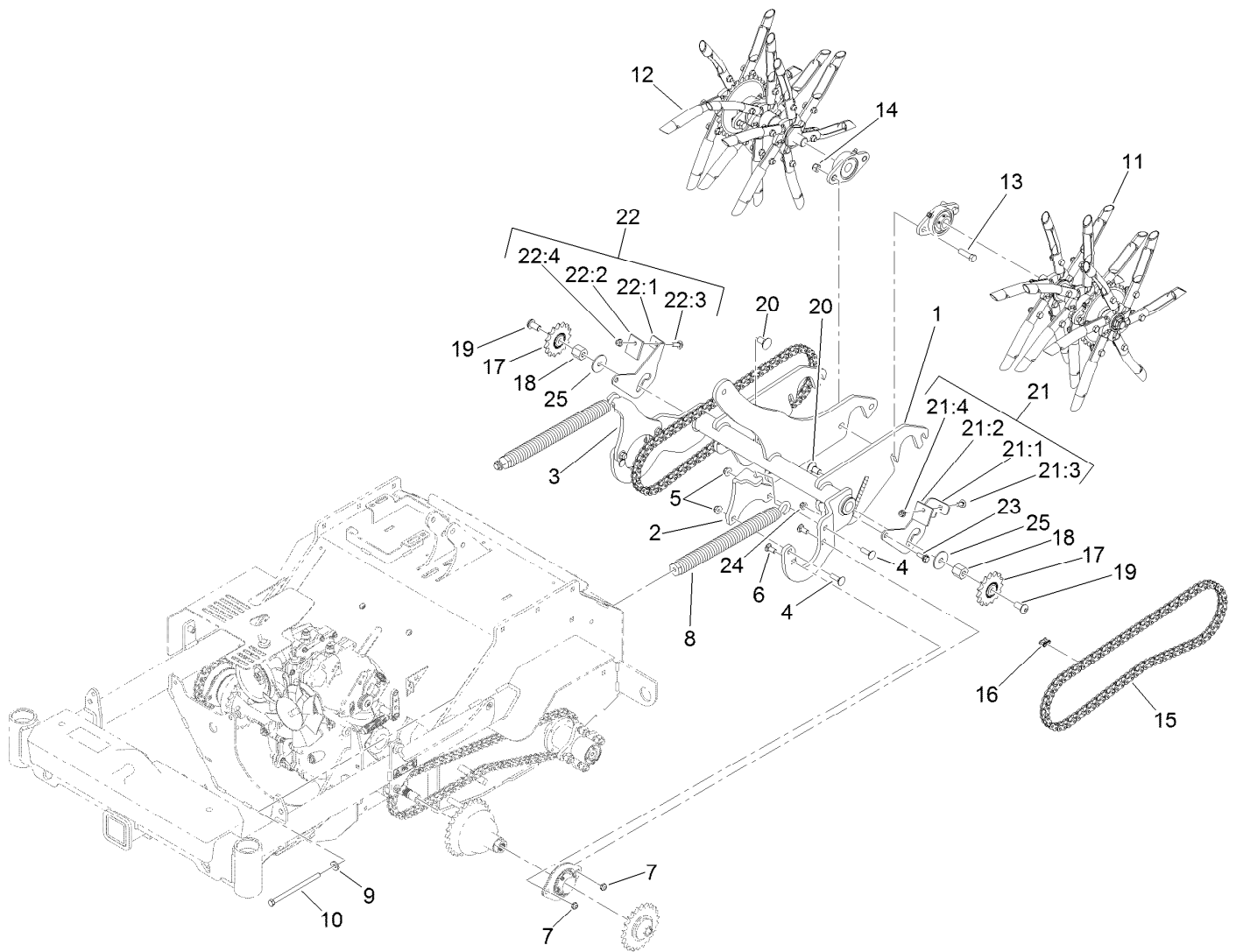
<i>Ref.</i>	<i>Part Number</i>	<i>Qty.</i>	<i>Description</i>
1		1	Wheel Hub ASM ●
1:2	116-0720	2	Bearing-Ball
1:3	116-1696	4	Stud-Wheel
2		1	Rim ●
3		1	Tire ●
4	232-27	1	Stem-Valve
5	242-50	4	Nut-Lug

● Not serviced separately



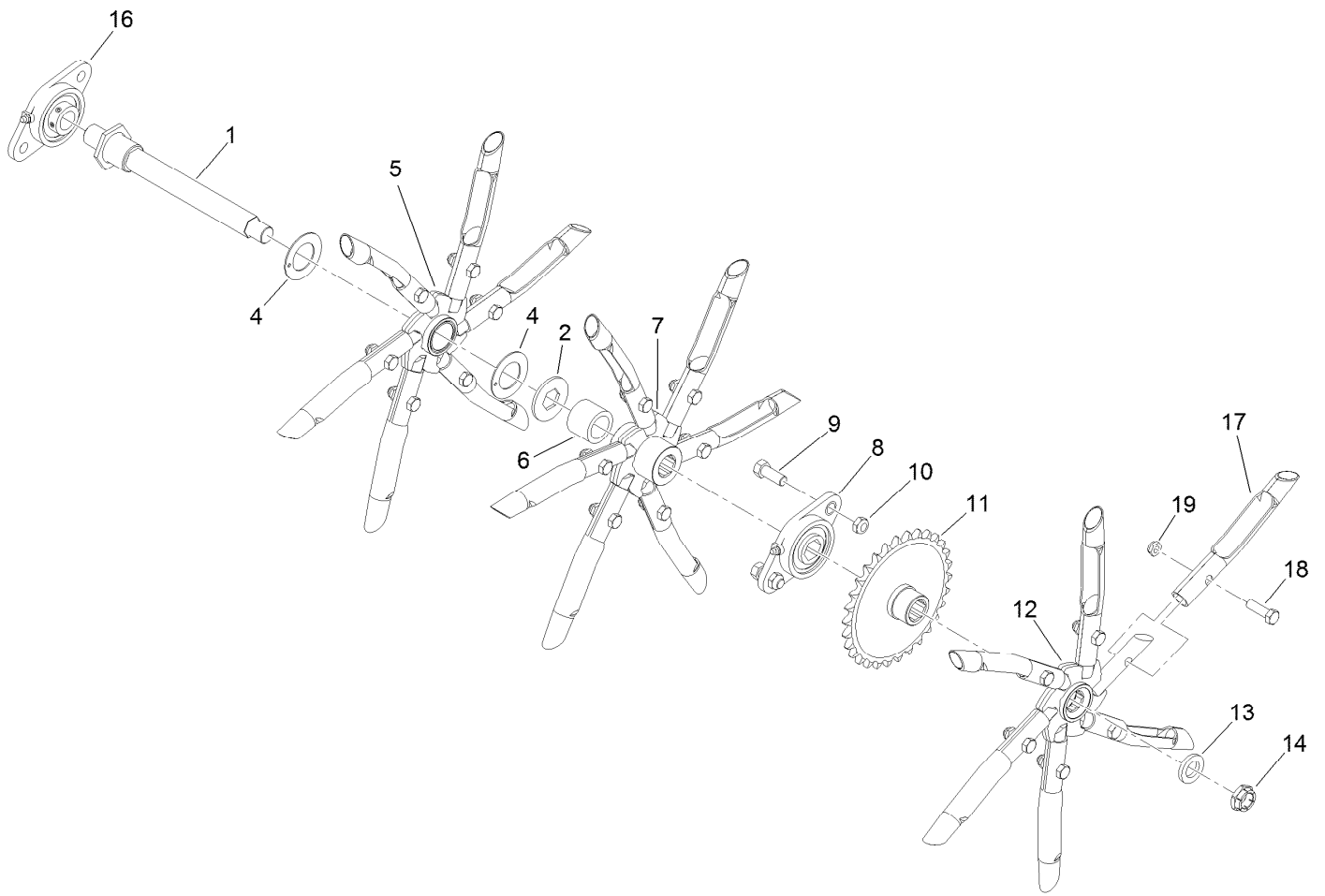
Idler Arm Assembly No. 126-9116

<i>Ref.</i>	<i>Part Number</i>	<i>Qty.</i>	<i>Description</i>
2	106-7159	2	O-Ring
3	103-3504	2	Bearing-Spherical
4	32120-10	2	Ring-Snap
5	103-3505	1	Seal-Lip, Double
6	103-3506	1	Seal-Lip, Single



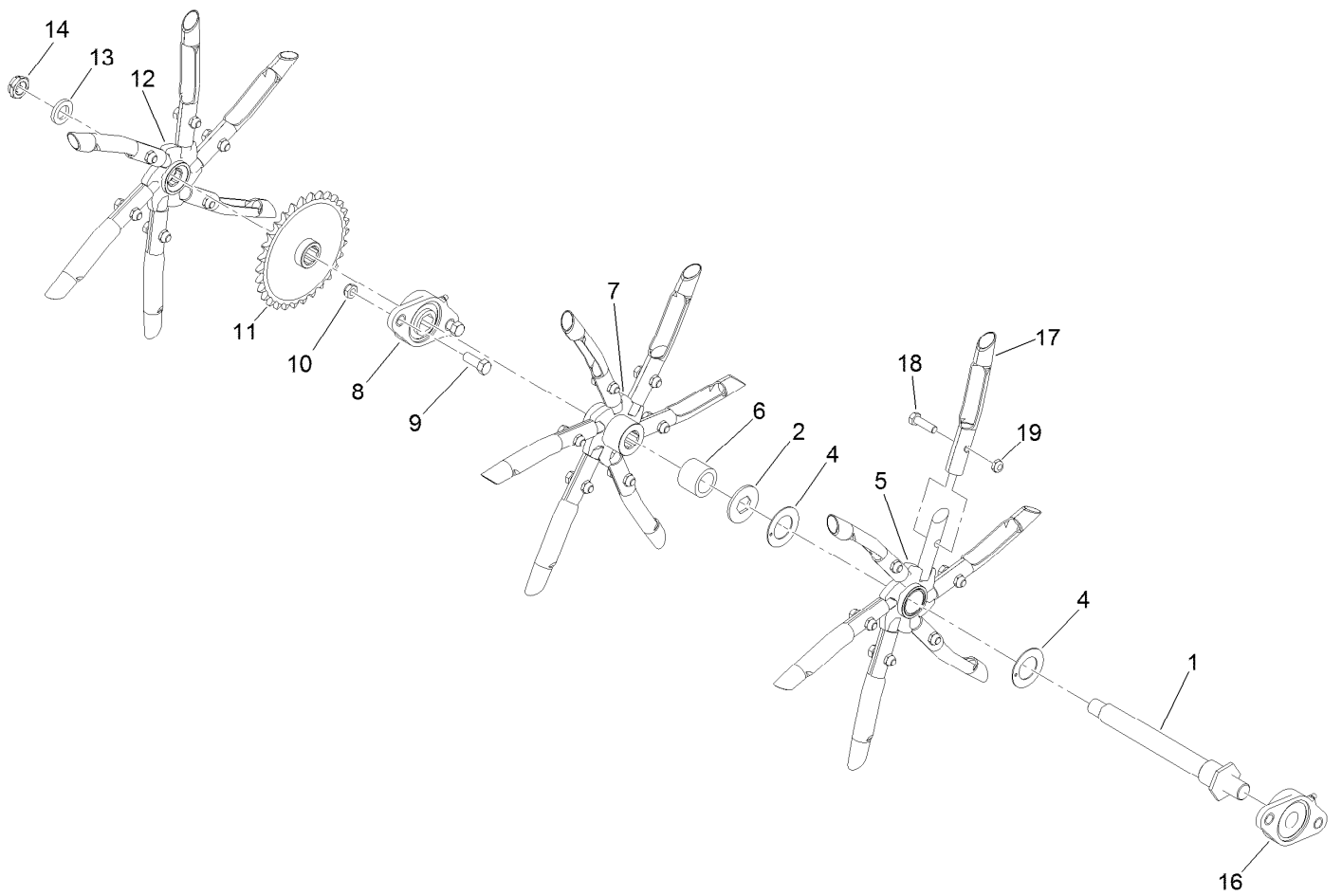
Tine Assembly

Ref.	Part Number	Qty.	Description	Ref.	Part Number	Qty.	Description
1	135-0810-03	1	Lift-Tine	19	99-8446	2	Screw- Pan Socket Head
2	135-1060-03	1	Arm-Spring, LH	20	3233-9	2	Screw-CARR
3	135-1061-03	1	Arm-Spring, RH	21	135-2405	1	LH Debris Deflector ASM
4	3231-25	4	Bolt-CARR	21:1	135-2325	1	Bracket-Deflector, Debris (LH)
5	104-8301	4	Nut-HF, NI	21:2	135-2403	1	Deflector-Debris
6	3231-12	4	Bolt-CARR	21:3	3230-10	1	Bolt-CARR
7	3296-59	4	Nut-Lock, NI	21:4	104-8300	1	Nut-HF, NI
8	116-0000	2	Spring-Extension	22	135-2404	1	RH Debris Deflector ASM
9	98-5975	2	Washer-Belleville	22:1	135-2406	1	Bracket-Deflector, Debris (RH)
10	323-58	2	Bolt-TAP, HH	22:2	135-2403	1	Deflector-Debris
11	126-9550	1	LH Tine Wheel ASM	22:3	3230-10	1	Bolt-CARR
12	126-9551	1	RH Tine Wheel ASM	22:4	104-8300	1	Nut-HF, NI
13	324-6	2	Screw-HH	23	27-0410	2	Screw-Shoulder
14	126-9780	2	Nut-Lock	24	104-8300	2	Nut-HF, NI
15	135-1100	2	Chain-Roller	25	120-3856	2	Washer-Flat
16	116-6897	2	Link-Connecting				
17	126-9108	2	Sprocket-Idler, 15T				
18	135-2242	2	Spacer				



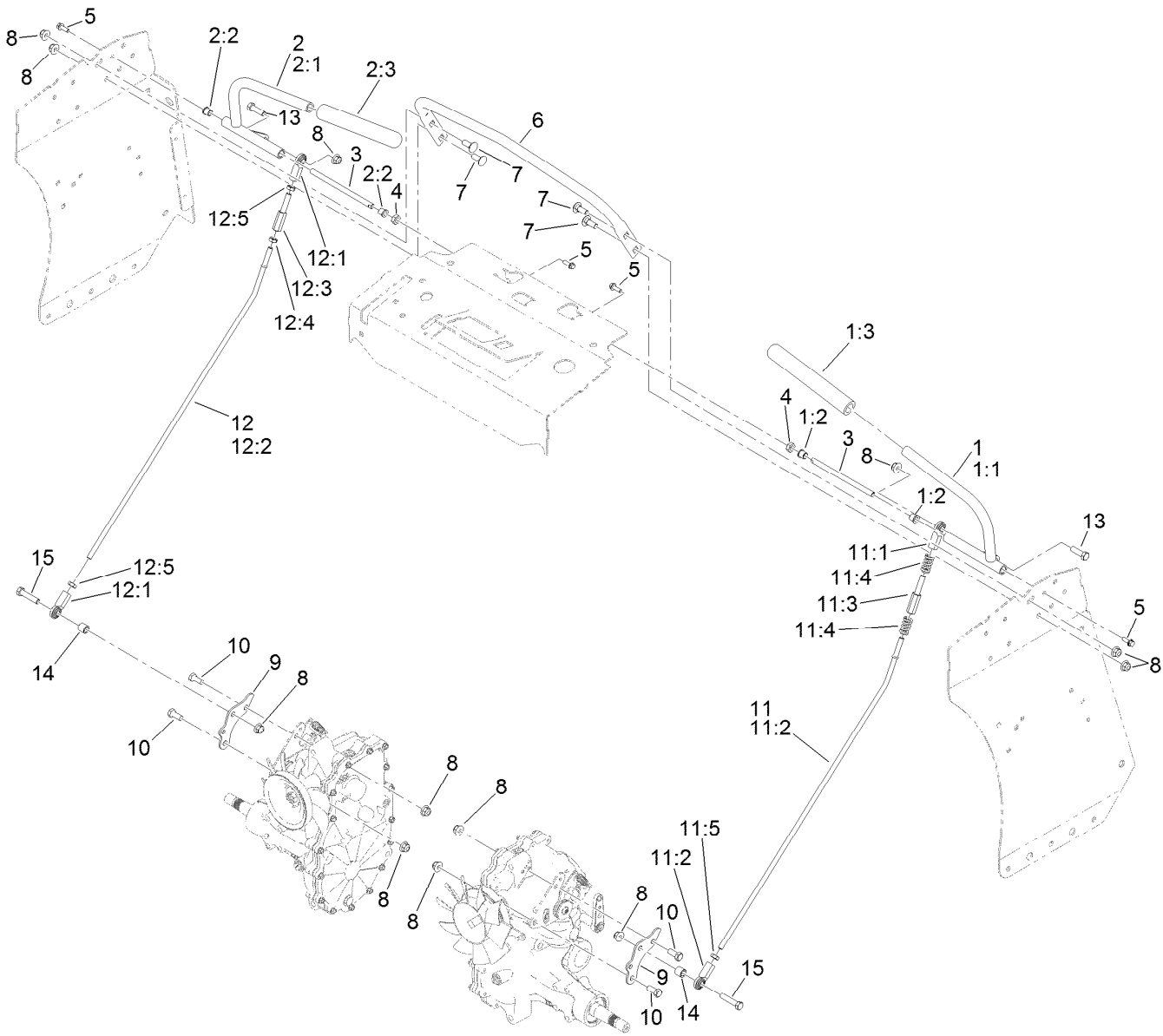
Left Hand Tine Wheel Assembly No. 126-9550

<i>Ref.</i>	<i>Part Number</i>	<i>Qty.</i>	<i>Description</i>	<i>Ref.</i>	<i>Part Number</i>	<i>Qty.</i>	<i>Description</i>
1	135-2980	1	Tine Shaft ASM	11	126-9624	1	Sprocket ASM
2	135-2977	1	Keeper-Tine, Floating	12	126-9630	1	Driven Spyder ASM
4	126-9619	2	Washer-Thrust	13	135-0502	1	Washer-Spacer
5	126-9540	1	Floating Spyder ASM	14	135-1528	1	Nut-Lock
6	126-9715	1	Spacer-Tine	16	126-9704	1	Bearing-Round Bore
7	126-9625	1	Driven Spyder ASM	17	126-2143	18	Tine-Coring (3/4 Inch)
8	126-9705	1	Bearing-Hex Bore	18	323-7	18	Screw-HH
9	126-9822	2	Screw-HH	19	3296-59	18	Nut-Lock, NI
10	126-9780	2	Nut-Lock				



Right Hand Tine Wheel Assembly No. 126-9551

<i>Ref.</i>	<i>Part Number</i>	<i>Qty.</i>	<i>Description</i>	<i>Ref.</i>	<i>Part Number</i>	<i>Qty.</i>	<i>Description</i>
1	135-2980	1	Tine Shaft ASM	11	126-9624	1	Sprocket ASM
2	135-2977	1	Keeper-Tine, Floating	12	126-9630	1	Driven Spyder ASM
4	126-9619	2	Washer-Thrust	13	135-0502	1	Washer-Spacer
5	126-9540	1	Floating Spyder ASM	14	135-1528	1	Nut-Lock
6	126-9715	1	Spacer-Tine	16	126-9704	1	Bearing-Round Bore
7	126-9625	1	Driven Spyder ASM	17	126-2143	18	Tine-Coring (3/4 Inch)
8	126-9705	1	Bearing-Hex Bore	18	323-7	18	Screw-HH
9	126-9822	2	Screw-HH	19	3296-59	18	Nut-Lock, NI
10	126-9780	2	Nut-Lock				

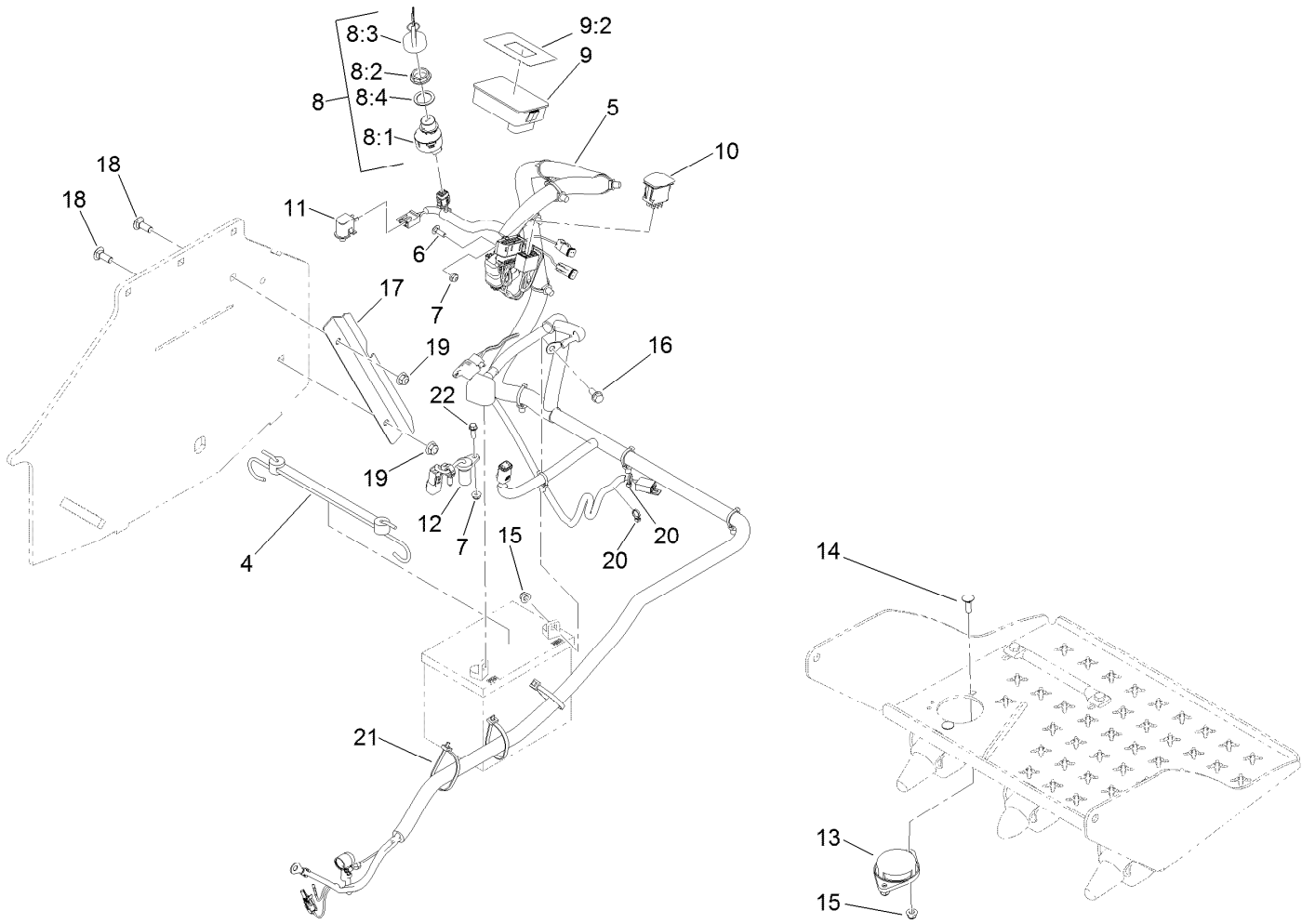


Motion Control Assembly

Ref.	Part Number	Qty.	Description	Ref.	Part Number	Qty.	Description
1		1	LH Motion Handle ASM ●	11		1	LH Motion Linkage ASM ●
1:1	135-1575-03	1	Handle-Control, LH	11:1	103-0608	2	Joint-Ball, End
1:2	103-9928	2	Bearing	11:2	135-1579	1	Linkage-Motion
1:3	103-8153	1	Grip-Lever, Control	11:3	116-4755	1	Rod-Adjustment
2		1	RH Motion Handle ASM ●	11:4	116-7560	2	Spring-Compression
2:1	135-1576-03	1	Handle-Control, RH	11:5	3220-3	1	Nut-HJ
2:2	103-9928	2	Bearing	12		1	RH Motion Linkage ASM ●
2:3	103-8153	1	Grip-Lever, Control	12:1	103-0608	2	Joint-Ball, End
3	116-4978	2	Shaft-Pivot, Motion Control	12:2	135-1579	1	Linkage-Motion
4	116-4198	2	Spacer-Shaft, Drive Lever	12:3	116-4755	1	Rod-Adjustment
5	117-8304	4	Screw-HHF	12:4	3220-16	1	Nut-Hex Jam, LH
6	135-1557-01	1	Bar-Reference	12:5	3220-3	2	Nut-HJ
7	3231-2	4	Bolt-CARR	13	323-7	2	Screw-HH
8	104-8301	12	Nut-HF, NI	14	126-9682	2	Spacer
9	135-0305	2	Arm-Motion	15	323-9	2	Screw-HH
10	323-5	4	Screw-HH				

● Not serviced separately

Electrical Assembly

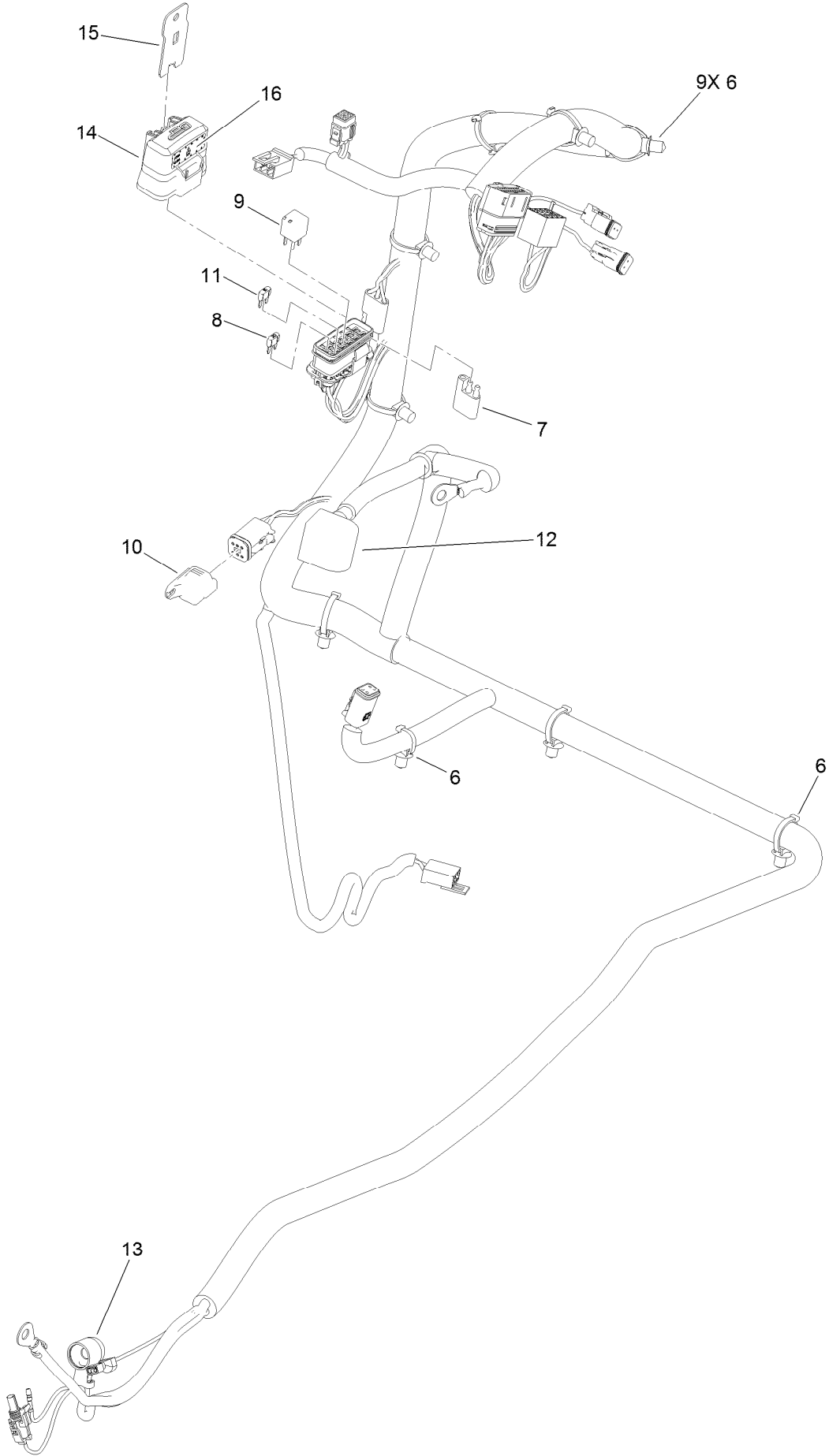


Electrical Assembly (continued)

<i>Ref.</i>	<i>Part Number</i>	<i>Qty.</i>	<i>Description</i>	<i>Ref.</i>	<i>Part Number</i>	<i>Qty.</i>	<i>Description</i>
4	104-2466	1	Holddown-Battery	11	82-2190	1	Switch-Bail
5	126-9535	1	Harness-Wire	12	135-0101	1	Sensor-Quadrature
6	3229-1	1	Bolt-CARR	13	92-6282	1	Switch-Seat
7	104-7201	2	Nut-HF	14	3230-2	2	Bolt-CARR
8	126-6285	1	Ignition Switch ASM	15	104-8300	4	Nut-HF, NI
8:1		1	Switch-Ignition ●	16	3234-5	2	Screw-HHF
8:2	108-8660	1	Nut-Mounting	17	126-9701-03	1	Guard-Harness
8:3	106-5270	1	Ignition Key Set	18	3231-2	2	Bolt-CARR
8:4	108-8659	1	Washer-Backup	19	104-8301	2	Nut-HF, NI
9	135-2500	1	Hour Meter ASM	20	1-303287	2	Tie-Cable
9:2	135-1854	1	Decal-Meter, Hour	21	1-303335	3	Tie-Plastic
10	100-1535	1	Switch-Rocker, (On)-Off-(On)	22	32105-15	1	Screw-HWH

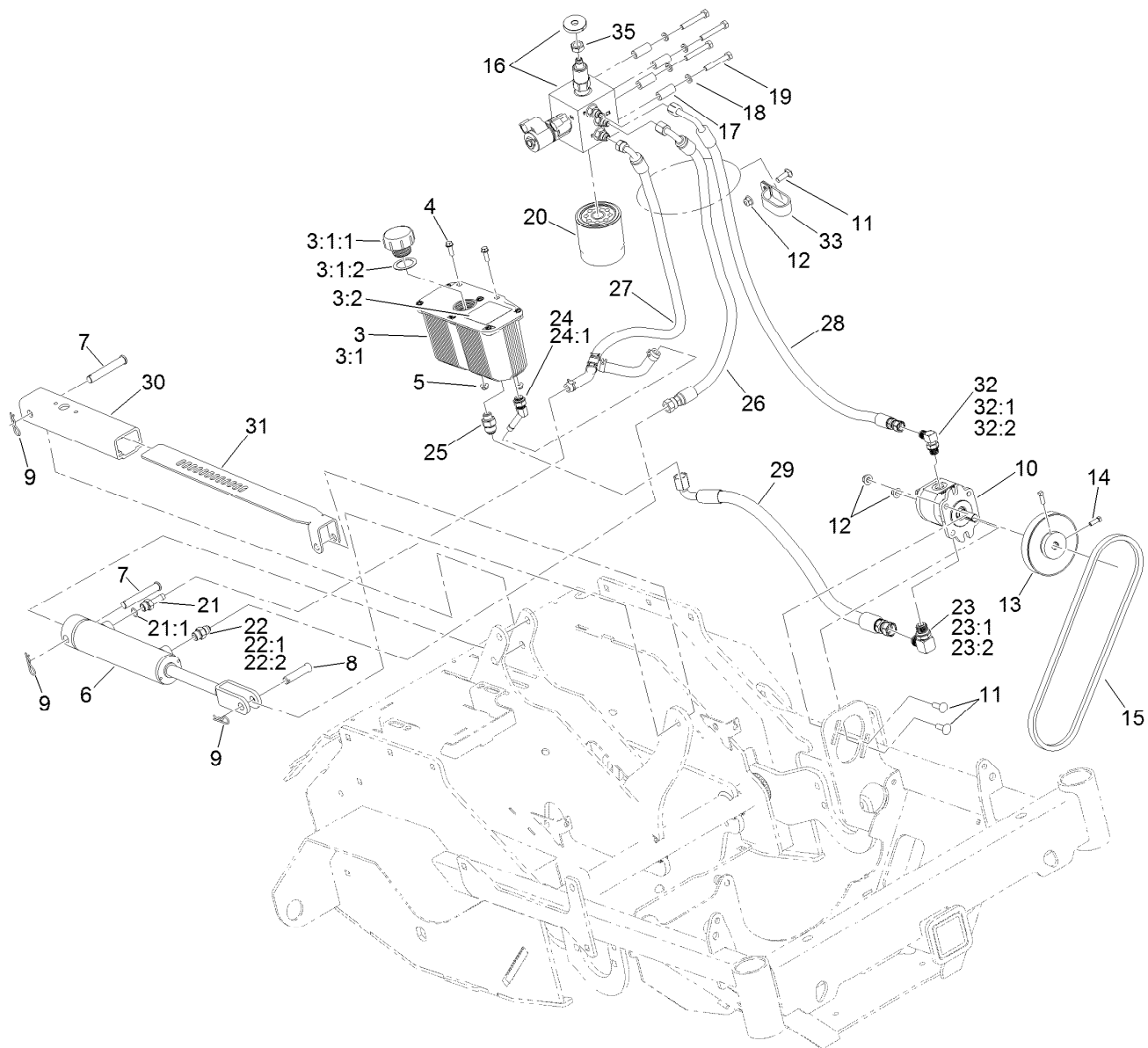
● Not serviced separately

Wire Harness Assembly No. 126-9535



Wire Harness Assembly No. 126-9535 (continued)

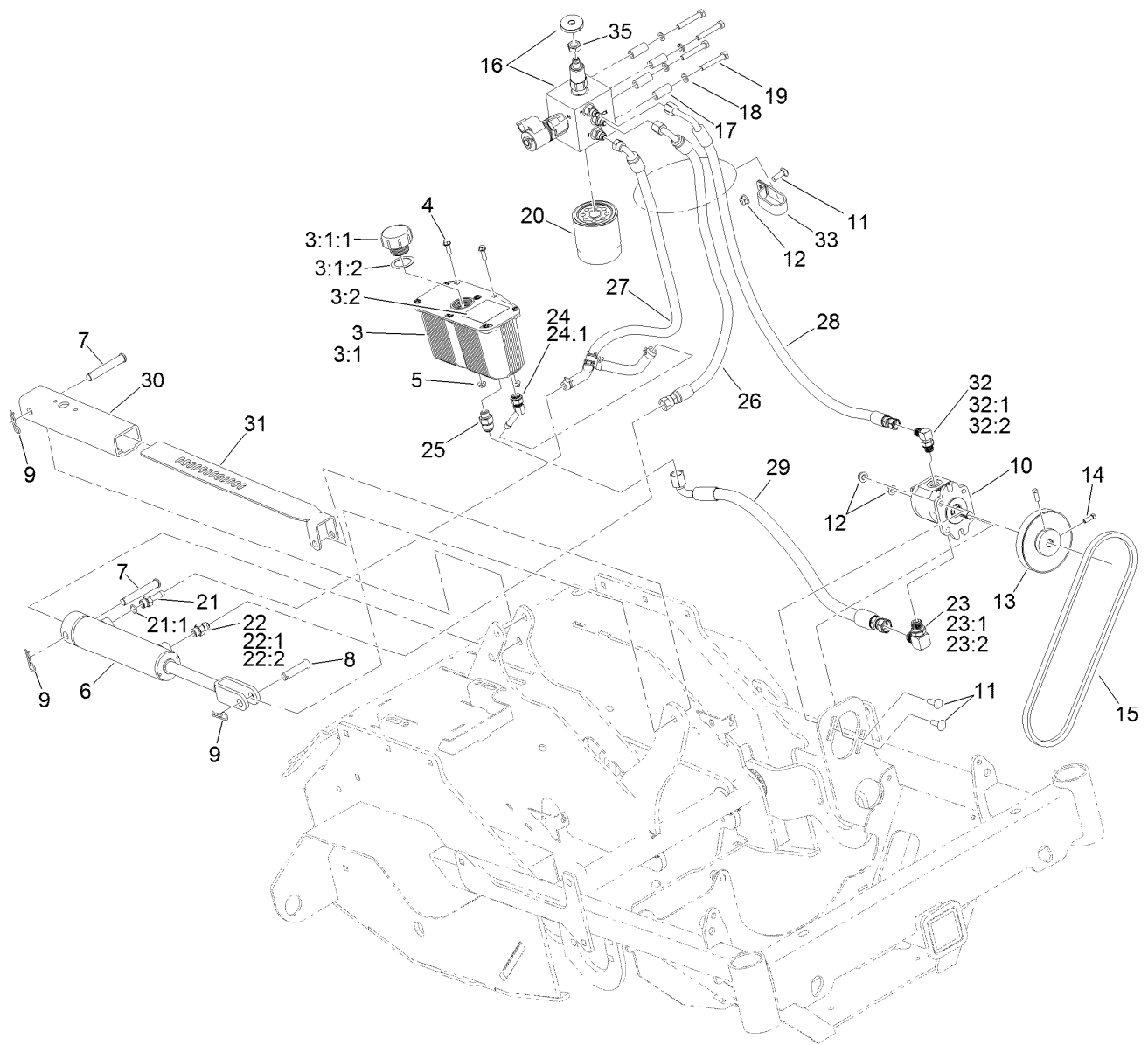
<i>Ref.</i>	<i>Part Number</i>	<i>Qty.</i>	<i>Description</i>	<i>Ref.</i>	<i>Part Number</i>	<i>Qty.</i>	<i>Description</i>
6	32180-030	9	Clip-Tie	12	126-8876	1	Insulator-Battery
7	32180-197	1	Cap-Plug	13	1-543393	1	Insulator-Solenoid
8	121-8868	1	Fuse-Mini Blade, 20 Amp	14	32180-176	1	Cover-Block, Fuse
9	126-3991	1	Relay-Micro	15	32180-177	1	Clip-Mounting
10	32180-156	1	Cap-Plug, 6 Way	16	126-7875	1	Decal-Fuse
11	121-8867	1	Fuse-Mini Blade, 15 Amp				



Auxiliary Hydraulic Assembly

Ref.	Part Number	Qty.	Description	Ref.	Part Number	Qty.	Description
3	116-2066	1	Reservoir ASM	17	103-0384	4	Spacer
3:1		1	Reservoir-HYD ●	18	3253-4	4	Washer-Lock
3:1:1	103-1948	1	Cap-Reservoir, HYD	19	322-10	4	Screw-HH
3:1:2	103-1949	1	Gasket-Cap	20	1-633750	1	Filter-Oil, HYD
3:2	115-4212	1	Decal-Warning	21	103-1912	1	Adapter-Straight
4	32105-15	2	Screw-HWH	21:1	237-42	1	O-Ring
5	104-7201	2	Nut-HF	22	103-2156	1	Fitting-Straight
6	126-9861	1	Cylinder-Hydraulic	22:1	1-603921	1	O-Ring
7	283-55	2	Pin-Clevis	22:2	103-1020	1	O-Ring
8	42195	1	Pin-Clevis	23	103-2153	1	Fitting-90 DEG
9	3290-467	3	Pin-Hair	23:1	1-603920	1	O-Ring
10	126-9796	1	Pump-Hydraulic	23:2	1-603992	1	O-Ring
11	3230-22	3	Screw-CARR	24	103-1807	1	Fitting-Barbed, 45 DEG
12	104-8300	3	Nut-HF, NI	24:1	237-42	1	O-Ring
13	116-6667	1	Pulley	25	126-9952	1	Fitting-STR
14	3241-6	2	Screw-SQH	26	126-9468	1	Hydraulic Hose ASM
15	126-9803	1	Belt-V	27	126-9469	1	Hydraulic Hose ASM
16	126-9321	1	Manifold ASM	28	126-9470	1	Hydraulic Hose ASM

● Not serviced separately

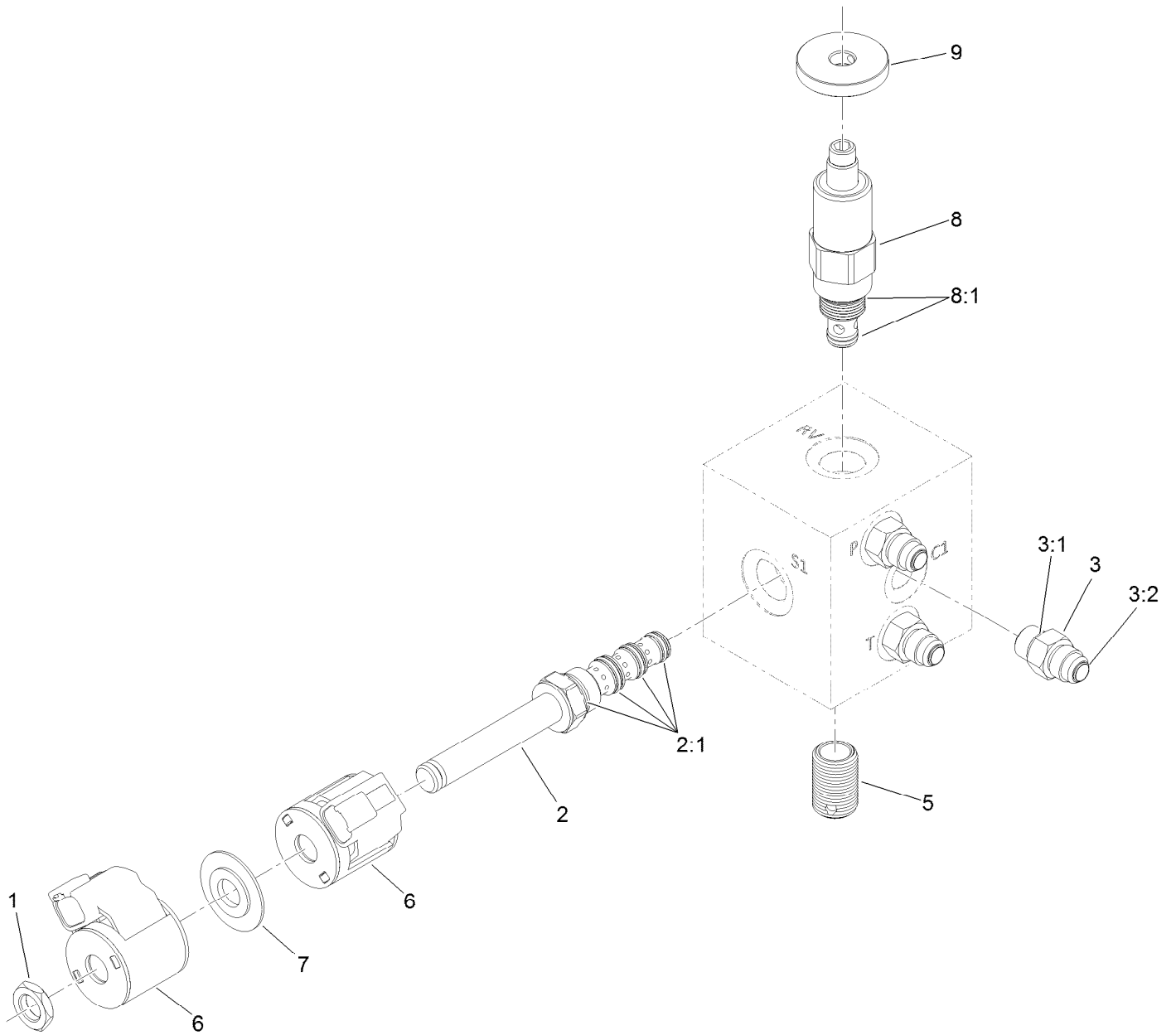


Auxiliary Hydraulic Assembly (continued)

Ref.	Part Number	Qty.	Description	Ref.	Part Number	Qty.	Description
29	126-9471	1	Hydraulic Hose ASM	32:1	1-603921	1	O-Ring
30	135-1224	1	Housing-Depth Control	32:2	103-1020	1	O-Ring
31	135-1385	1	Bracket-Depth Control	33	2412-137	1	Clamp-R, Double
32	103-2155	1	Fitting-90 DEG	35	3220-5	1	Nut-Jam

● Not serviced separately

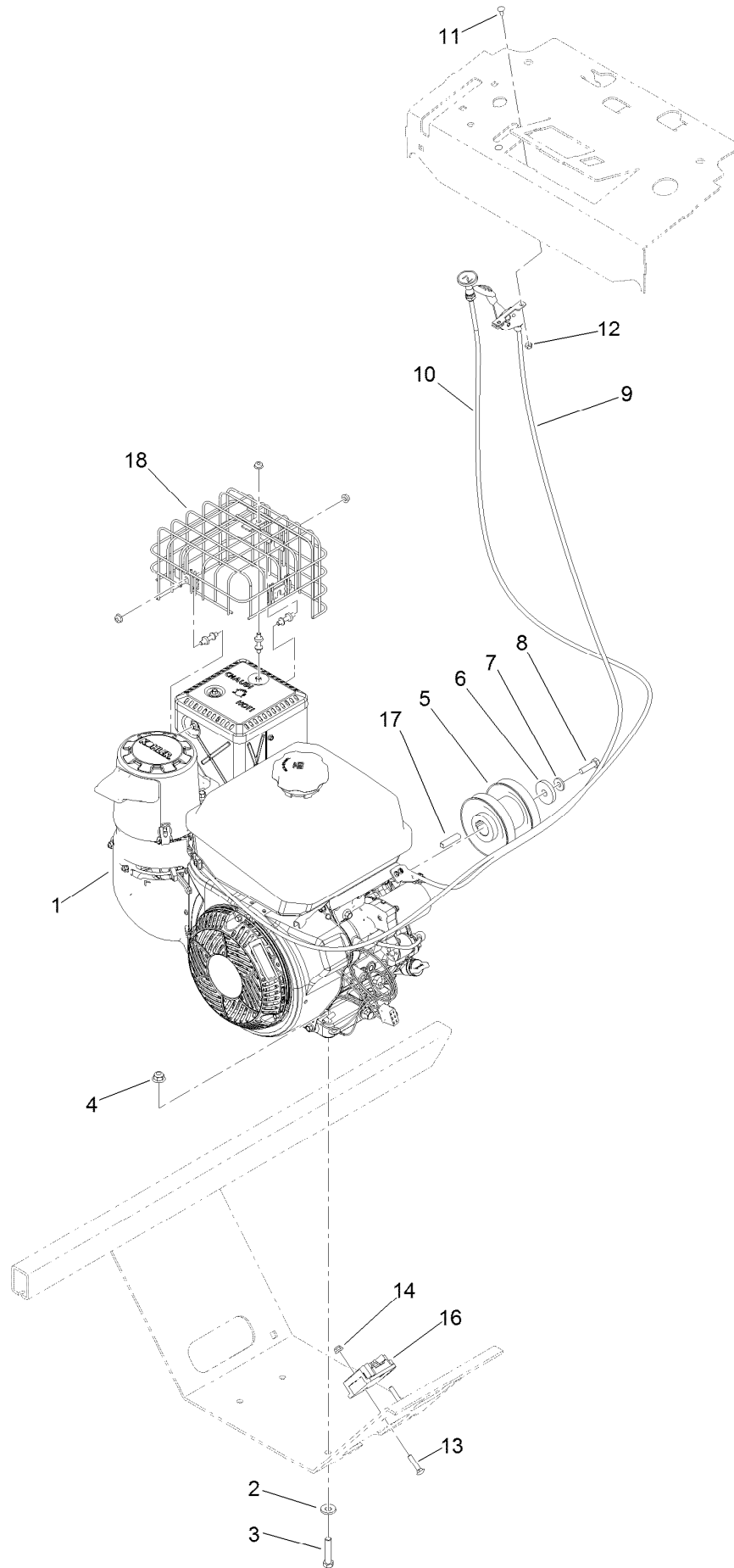
Manifold Assembly No. 126-9321



Manifold Assembly No. 126-9321 (continued)

<i>Ref.</i>	<i>Part Number</i>	<i>Qty.</i>	<i>Description</i>	<i>Ref.</i>	<i>Part Number</i>	<i>Qty.</i>	<i>Description</i>
1	110-2634	1	Nut-Coil	5	127-3885	1	Nipple-Filter
2	126-9379	1	Valve-Solenoid	6	112-0197	2	E Coil-12V DC
2:1	112-6520	1	Seal Kit	7	120-2586	1	Spacer-Coil
3	103-2156	3	Fitting-Straight	8	135-1855	1	Valve-Relief, Poppet Type
3:1	1-603921	1	O-Ring	8:1	126-9388	1	Seal Kit
3:2	103-1020	1	O-Ring	9	116-9396	1	Knob (1.5 DIA)

Engine Assembly



Engine Assembly (continued)

<i>Ref.</i>	<i>Part Number</i>	<i>Qty.</i>	<i>Description</i>	<i>Ref.</i>	<i>Part Number</i>	<i>Qty.</i>	<i>Description</i>
1	135-3981	1	Engine-Kohler, Ch440-3186 ●	9	109-3958	1	Control-Throttle
2	98-5975	4	Washer-Belleville	10	135-2133	1	Cable-Choke, Push/Pull
3	323-9	4	Screw-HH	11	1-807513	2	Bolt-CARR
4	104-8301	4	Nut-HF, NI	12	3296-2	2	Nut-Lock, NI
5	126-9142	1	Pulley	13	3229-3	2	Screw-CARR
6	1-543610	1	Washer-Clutch	14	104-7201	2	Nut-HF
7	1-303334	1	Washer-Spring	16	126-9904	1	Regulator
8	33114-030	1	Screw-HH	17	135-3980	1	Key-Square, 7Mm
				18	135-3366	1	Kit-Muffler Birdcage

● Obtain parts from www.kohlerplus.com

Notes:

Notes:



Count on it.