



## 622 Snowthrower

Model No. 38063—200000001 and Up

Model No. 38064—200000001 and Up

### Parts Catalog

---

#### Ordering Replacement Parts

To order replacement parts, please supply: the part number, the quantity, and the description of each part desired.

#### Understanding Reference Numbers

Each identified part in an illustration has a reference number. The reference number for a part also appears in the parts list, along with other information about the part.

This catalog uses two special reference number formats, one to indicate parts in a service assembly and another to indicate the quantity of a given part in an illustration.

#### Service Assembly Reference Numbers

Parts in service assemblies have reference numbers in the form **a:b**. The **a** represents the reference number of the entire service assembly and the **b** represents a sequential number unique to each part within the service assembly.

For example, a wheel assembly might be identified by reference number **6**, the tire by **6:1**, the valve by **6:2**, and the wheel by **6:3**. When you order the assembly identified by reference number **6**, you receive all parts identified by reference numbers **6:1**, **6:2**, and **6:3**. However, you may also order any part individually.

Reference numbers of this type appear in illustrations and in part lists.

#### Reference Numbers Indicating Quantity

In an illustration, if a reference number indicates more than one part, the reference number has the form **nX y**. The **n** represents the quantity of the part, the **X** is the multiplication symbol, and the **y** represents the reference number.

For example, in an illustration, the reference number **2X 37** means that two of the parts identified by reference number **37** are indicated.

## Contents

<b>Description</b>	<b>Page</b>	<b>Description</b>	<b>Page</b>
Chute and Auger Assembly .....	3	Engine Tecumseh Model HSK60-76011C	
22" Gear Case Assembly No. 37-6962 .....	4	Only On: 38063 .....	12
Traction Assembly .....	5	Engine Tecumseh Model HSK60-76012C	
Traction Assembly (Continued) .....	6	Only On: 38064 .....	16
Engine Assembly .....	7	Recoil Starter No. 590742 .....	20
Handle Assembly .....	8	Electric Starter Kit No. 38037	
Linkage and Traction Assembly .....	10	(Optional On 38063) .....	21
Carburetor No. 640081 .....	11		

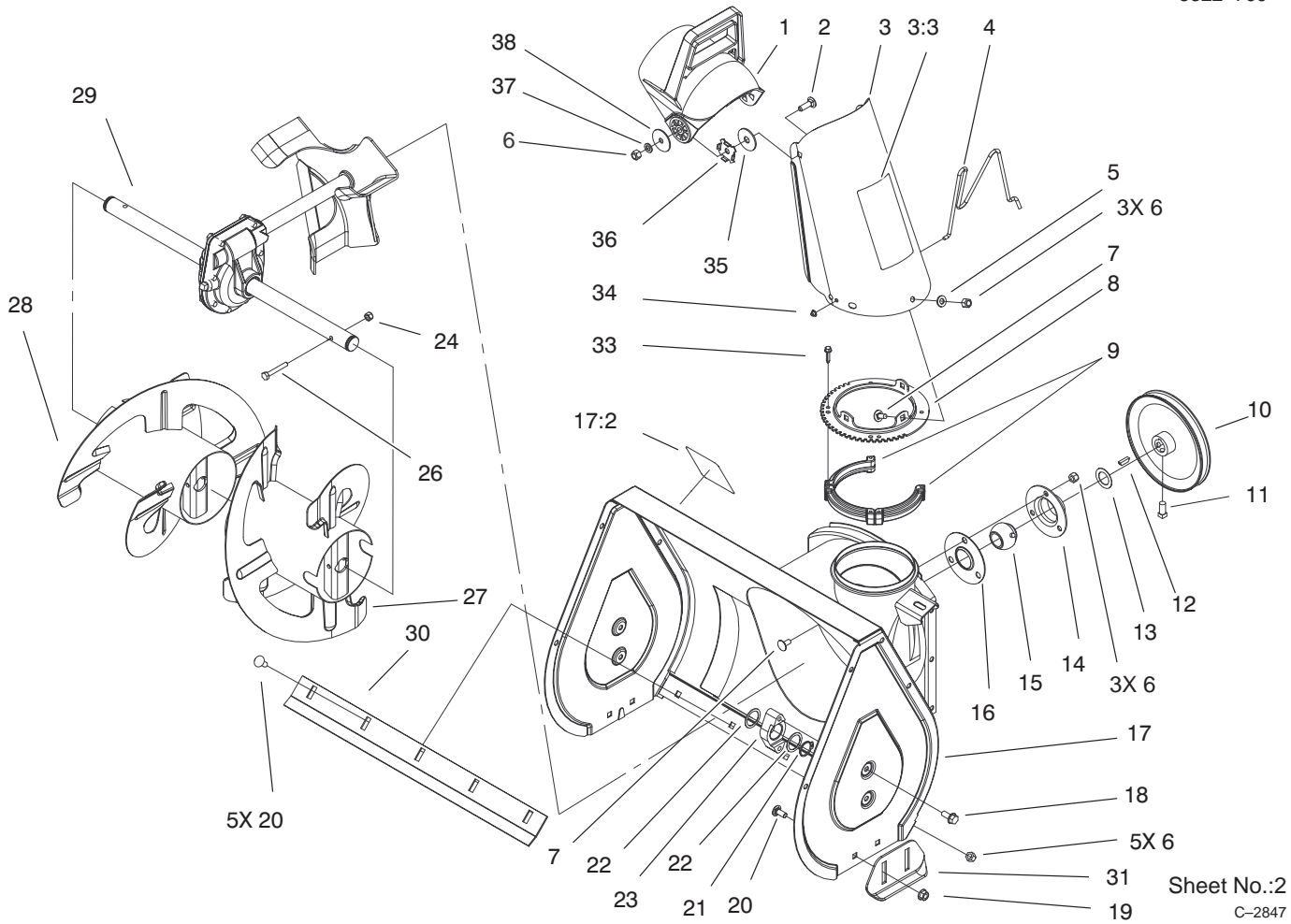
## Accessories

<b>Description</b>	<b>Model / Part No.</b>	<b>Description</b>	<b>Model / Part No.</b>
110 Vac Electric Starter Kit (Only on: 38063) ..	38037	Drift Breaker Kit .....	37-7022
Tire Chain Kit .....	56-2700	Snow Cab .....	88-0600

## Part Description Abbreviations

Part descriptions in this catalog may include the following abbreviations.

<b>Abbreviation</b>	<b>Meaning</b>	<b>Abbreviation</b>	<b>Meaning</b>
AR .....	as required	INC .....	incorporated
ASM .....	assembly	LH .....	left hand
CARR .....	carriage	NI .....	nylon insert
DEG .....	degrees	PPH .....	Phillips pan head
FH .....	flat head	PTH .....	Phillips truss head
GA .....	gauge	PTO .....	power take off
HF .....	hex flange	RH .....	right hand
HH .....	hex head	SFH .....	slotted fillister head
HHF .....	hex head flange	SHH .....	slotted hex head
HLH .....	hex lag head	SQH .....	square head
HJ .....	hex jam	SHWH .....	slotted hex washer head
HOC .....	height-of-cut	SPH .....	slotted pan head
HS .....	hex socket	SRH .....	slotted round head
HSBH .....	hex socket button head	STD .....	standard
HSFH .....	hex socket flat head	TAP .....	self tapping
HSH .....	hex socket head	TTH .....	Torx truss head
HWH .....	hex washer head	WH .....	wing head
HWHTF .....	hex washer head thread forming		

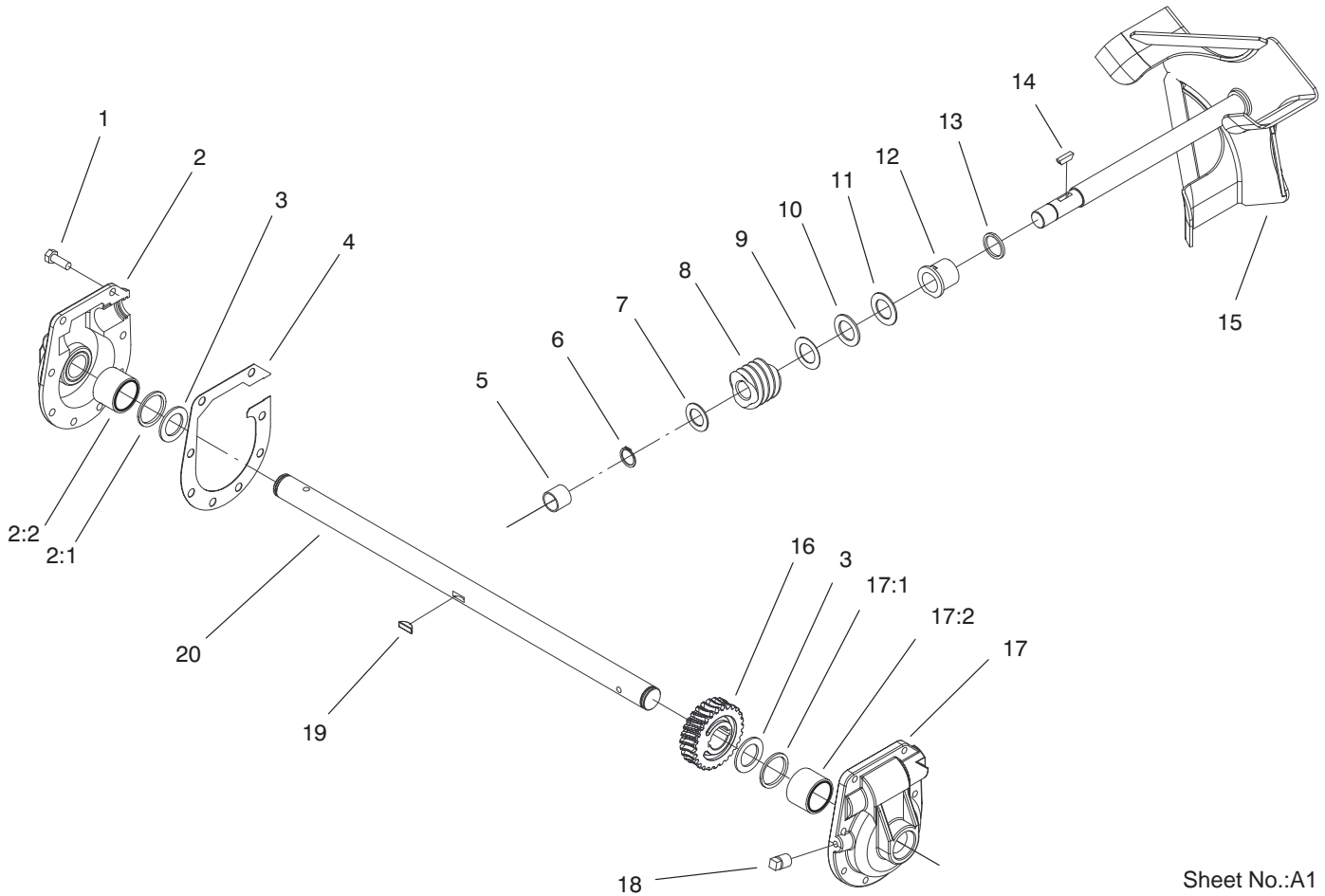


Sheet No.:2  
C-2847

## Chute and Auger Assembly

Ref. No.	Part No.	Qty.	Description
1	56-2680	1	Chute-Deflector
2	3230-22	2	Screw-CARR
3	94-2793	1	Chute ASM (only on: 38064)
3	94-2792	1	Chute ASM (only on: 38063)
3:3	94-2558	1	Decal - Danger (only on: 38063)
3:3	94-8079	1	Decal-Danger (only on: 38064)
4	56-2670	1	Wire-Chute
5	3256-23	3	Washer-Flat
6	3296-29	13	Nut-Lock
7	3230-18	6	Screw-CARR
8	37-8941-03	1	Ring-Chute
9	37-6490	3	Ring-Chute, Retainer
10	37-6890	1	Pulley
11	3242-4	2	Screw-SQH Set
12	3257-23	1	Key-Woodruff
13	3-0737	1	Washer
14	26-6110	1	Flange-Cup, Bearing
15	63-3450	1	Bearing-Ball
16	26-6120	1	Flange-Cup, Bearing
17	94-9872	1	Auger Housing ASM [Service] (only on: 38064)

Ref. No.	Part No.	Qty.	Description
17	94-9873	1	Auger Housing ASM (only on: 38063)
17:2	53-7670	1	Decal-Warning, Auger (only on: 38064)
17:2	94-2568	1	Decal-Warning, Auger (only on: 38063)
18	32144-70	4	Screw-HH
19	32128-20	4	Nut-HF
20	3230-1	9	Screw-CARR
21	32151-36	2	Ring-Retaining
22	5-1550	4	Washer
23	37-6550	2	Bearing-Auger
24	3296-42	2	Nut-Lock
26	321-10	2	Screw-HH
27	39-1190-03	1	Auger, LH
28	39-1180-03	1	Auger, RH
29	37-6962	1	22" Gear Case ASM
30	100-3554-01	1	Blade-Scraper
31	40-8160-01	2	Skid
33	27-0220	6	Screw-Special
34	3290-326	1	Nut-Push
35	20-4320	2	Washer-Rubber
36	55-8950	2	Plate-Friction
37	3290-456	2	Washer-Belleville
38	3256-68	2	Washer-Flat

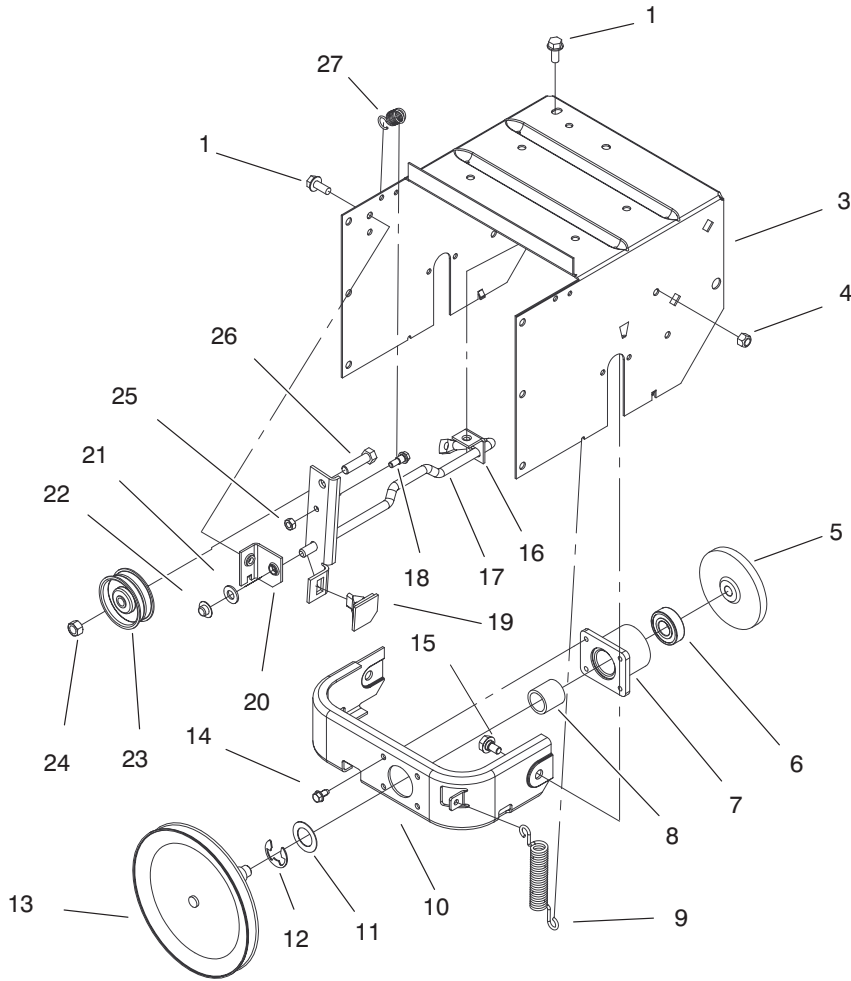


Sheet No.:A1  
C-2852

## 22" Gear Case Assembly No. 37-6962

Ref. No.	Part No.	Qty.	Description
1	32144-41	8	Screw-Taptite
2	14-2449	1	Gear Case, RH
2:1	7-0045	1	Seal-Oil
2:2	256-237	1	Bushing
3	252-71	2	Bearing-Thrust
4	51-0460	1	Gasket-Gear Box
5	256-32	1	Bushing
6	32120-72	1	Ring-Snap
7	3-8664	1	Washer-Thrust
8	5-7170	1	Gear
9	252-80	1	Bearing-Thrust
10	252-76	1	Bearing-Thrust
11	257-3	1	Washer-Thrust
12	37-6560	1	Bushing-Input
13	237-87	1	Ring-Quad
14	3257-23	1	Key-Woodruff
15	37-6990-03	1	Shaft-Impeller
16	5-7180	1	Gear-Worm 21 T
17	14-2459	1	Gear Case, LH
17:1	7-0045	1	Seal-Oil
17:2	256-237	1	Bushing
18	281-1	1	Plug-SQH Pipe
19	3257-33	1	Key-Woodruff
20	37-6802	1	Shaft-Auger

Ref. No.	Part No.	Qty.	Description

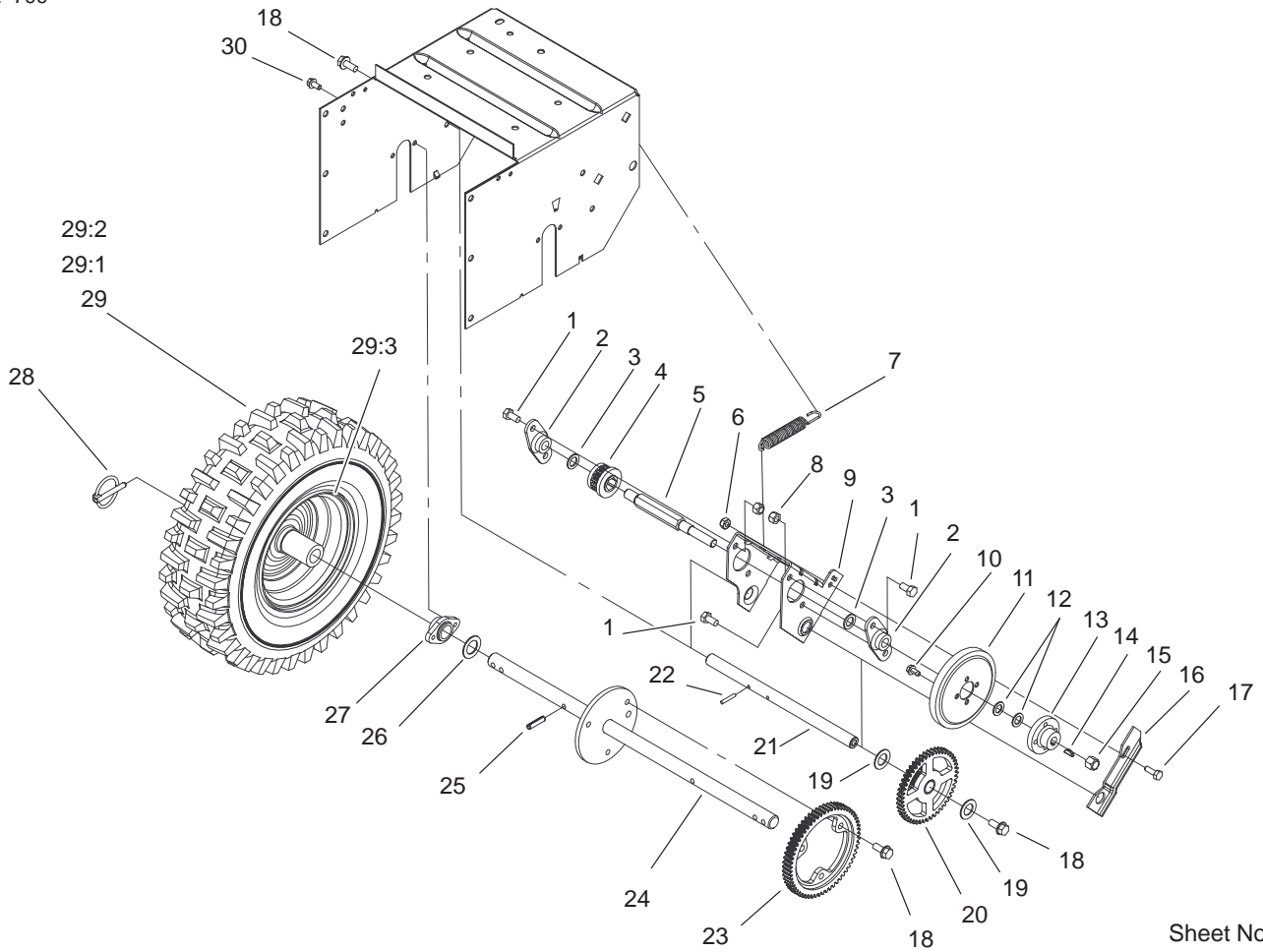


Sheet No.:3

### Traction Assembly

Ref. No.	Part No.	Qty.	Description
1	32144-70	2	Screw-HH
3	37-8900-01	1	Frame-Traction
4	3296-29	2	Nut-Lock
5	38-0800	1	Plate-Friction
6	38-7820	1	Bearing-Ball
7	88-0560	1	Hub-Frame, Traction
8	256-322	1	Bushing
9	37-8870	1	Spring-Plate,Friction
10	88-0550-03	1	Frame-Front
11	252-80	1	Bearing-Thrust
12	32151-103	1	Ring-Snap
13	88-0850	1	Pulley & Drive ASM
14	12-3270	4	Screw
15	37-8770	2	Bolt-Shoulder
16	37-9070	1	Bracket-Mount Clutch, Rear
17	40-6511-03	1	Rod-Clutch, Auger
18	42-3560	1	Bolt-Shoulder
19	66-8060	1	Pad-Brake
20	66-6790	1	Bracket-Mount Clutch, Front
21	3256-24	1	Washer-Flat
22	3290-320	1	Retainer-Push On
23	3-4244	1	Pulley-Idler
24	3296-59	1	Nut-Lock Ni
25	3296-56	1	Nut-Lock Ni

Ref. No.	Part No.	Qty.	Description
26	323-29	1	Screw-HH
27	53-7570	1	Spring

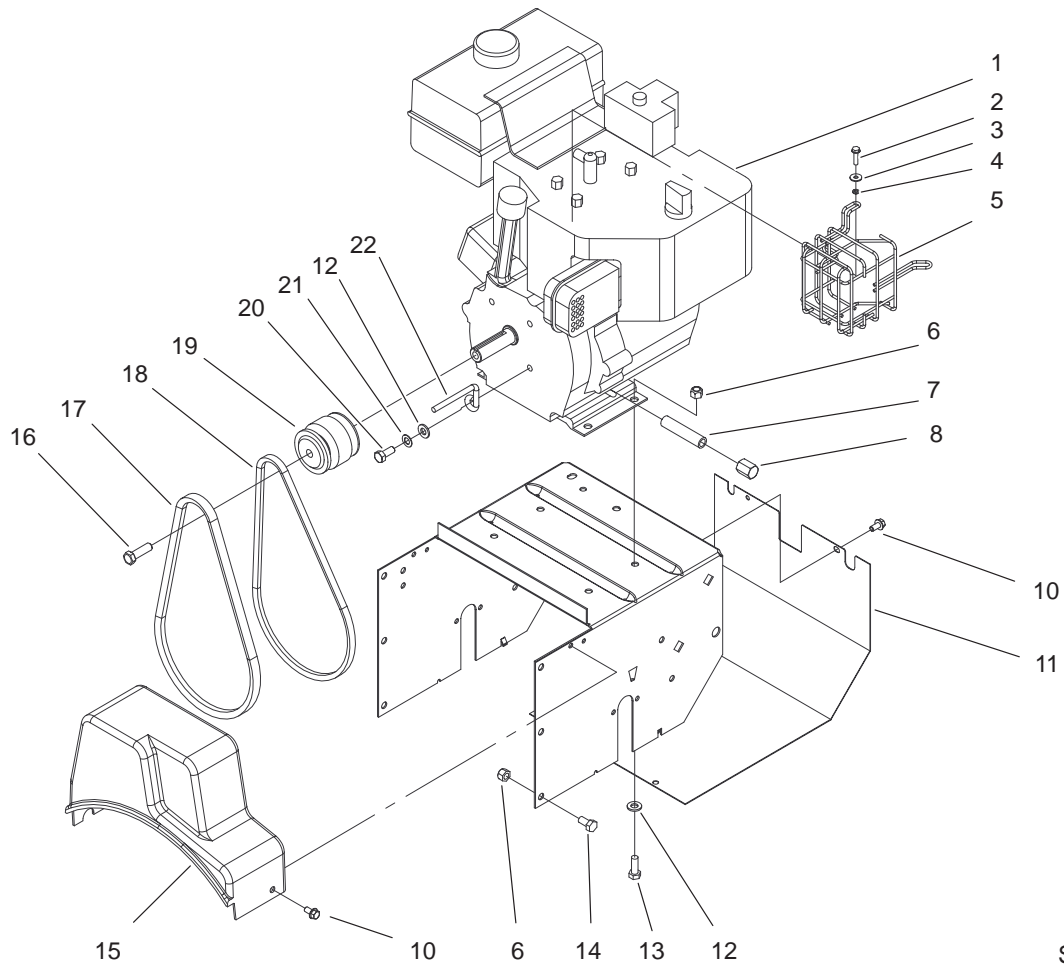


Sheet No.:4

### Traction Assembly (Continued)

Ref. No.	Part No.	Qty.	Description
1	322-2	4	Screw-HH
2	20-1620	2	Bearing-Wheel, Friction
3	5-7570	2	Washer-Flat
4	37-6500	1	Pinion
5	37-6780	1	Shaft-Wheel, Friction
6	3296-16	1	Nut-Lock
7	37-8880	1	Spring-Traction
8	3296-29	4	Nut-Lock
9	39-1230	1	Bracket-Sliding
10	12-3270	4	Screw
11	37-6570	1	Wheel-Friction
12	36-4790	2	Washer-Thrust
13	39-1520	1	Hub-Wheel, Friction
14	3257-24	1	Key-Woodruff
15	3296-48	1	Nut-Lock Ni
16	39-1250	1	Cam-Receiver
17	321-4	1	Screw-HH
18	32144-70	5	Screw-HH
19	10-9280	2	Washer-Special
20	37-9160	1	Int. Gear/Bushing ASM
21	37-6760	1	Shaft-Pivot
22	32121-45	2	Pin-Spring
23	37-6520	1	Gear-Axle
24	74-1350	1	Shaft-Axle
25	32121-31	2	Pin-Spring

Ref. No.	Part No.	Qty.	Description
26	3-8664	2	Washer-Thrust
27	37-6850	2	Bearing-Axle
28	3290-243	2	Pin-Lynch
29	67-9221	2	Wheel And Tire ASM
29:1	231-120	1	Tire
29:2	232-46	1	Tube
29:3	241-131	1	Rim-Wheel
30	32144-4	4	Screw-HH



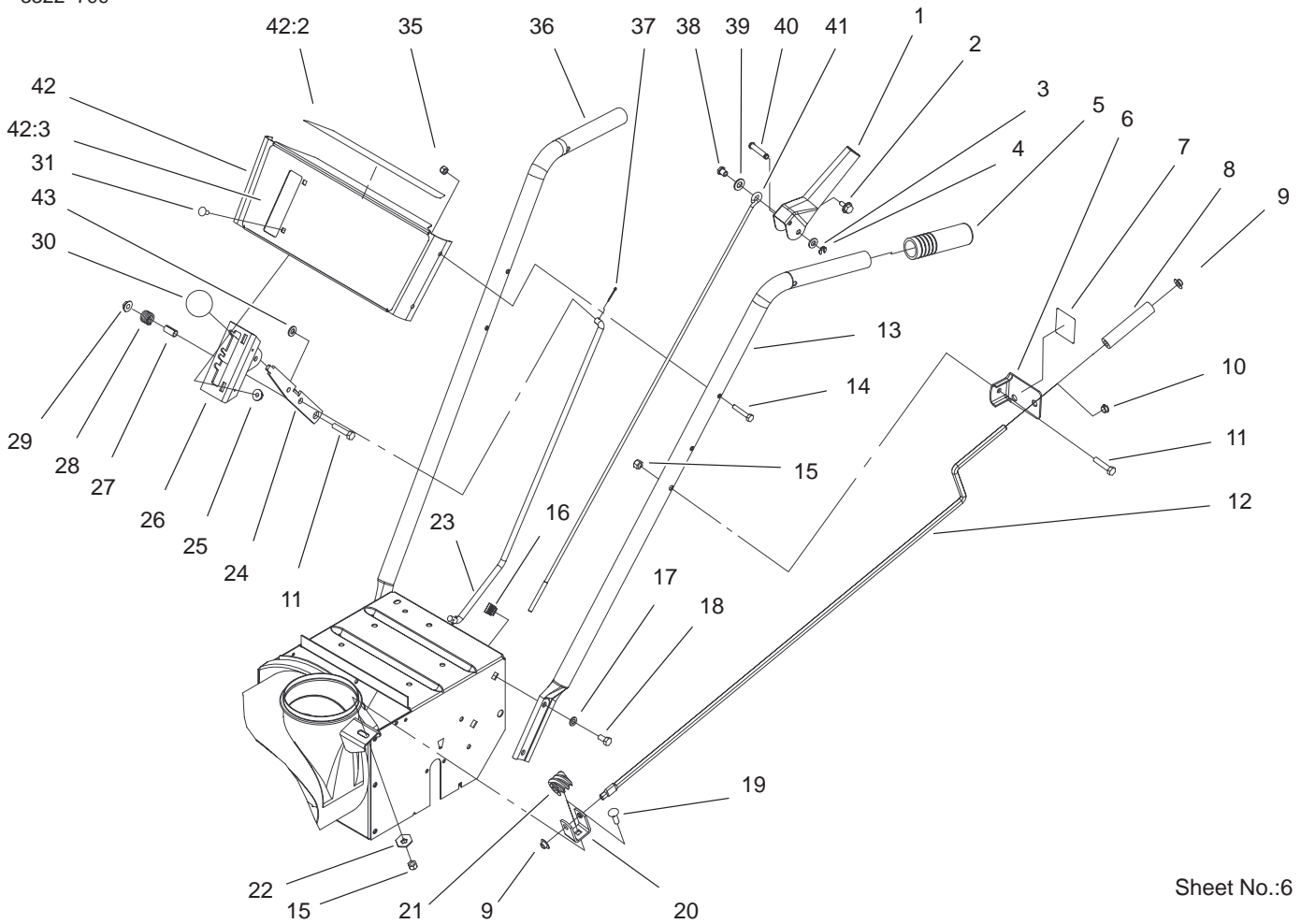
Sheet No.: 5

## Engine Assembly

Ref. No.	Part No.	Qty.	Description	Ref. No.	Part No.	Qty.	Description
‡1		1	Engine-6hp, Tecumseh Hsk60-76011c (only on: 38063)	17	26-9672	1	V-Belt
‡1		1	Engine-6hp, Tecumseh Hsk60-76012c (only on: 38064)	18	37-9090	1	V-Belt
2	93-8048	3	Screw (only on: 38063)	19	74-1370	1	Pulley-Engine
3	3256-49	3	Washer-Flat (only on: 38063)	20	3210-3	1	Screw-HH
4	3253-17	3	Washer-Lock/Sp (only on: 38063)	21	3255-8	1	Washer-Lock/Ext
5	94-2762	1	Guard - Muffler (only on: 38063)	22	37-8990	1	Retainer-Belt
6	3296-29	10	Nut-Lock	*24	99-9300	1	Cord-Extention (only on: 38064)
7	289-9	1	Pipe-Nipple				
8	288-2	1	Cap-Pipe				
10	32144-4	6	Screw-HH				
11	37-6830-01	1	Cover-Traction, Lower				
12	3256-23	5	Washer-Flat				
13	322-4	4	Screw-HH				
14	322-2	6	Screw-HH				
15	37-6900	1	Cover - Belt				
16	43-7290	1	Screw-Special				

‡ Obtain locally.

\* Not illustrated

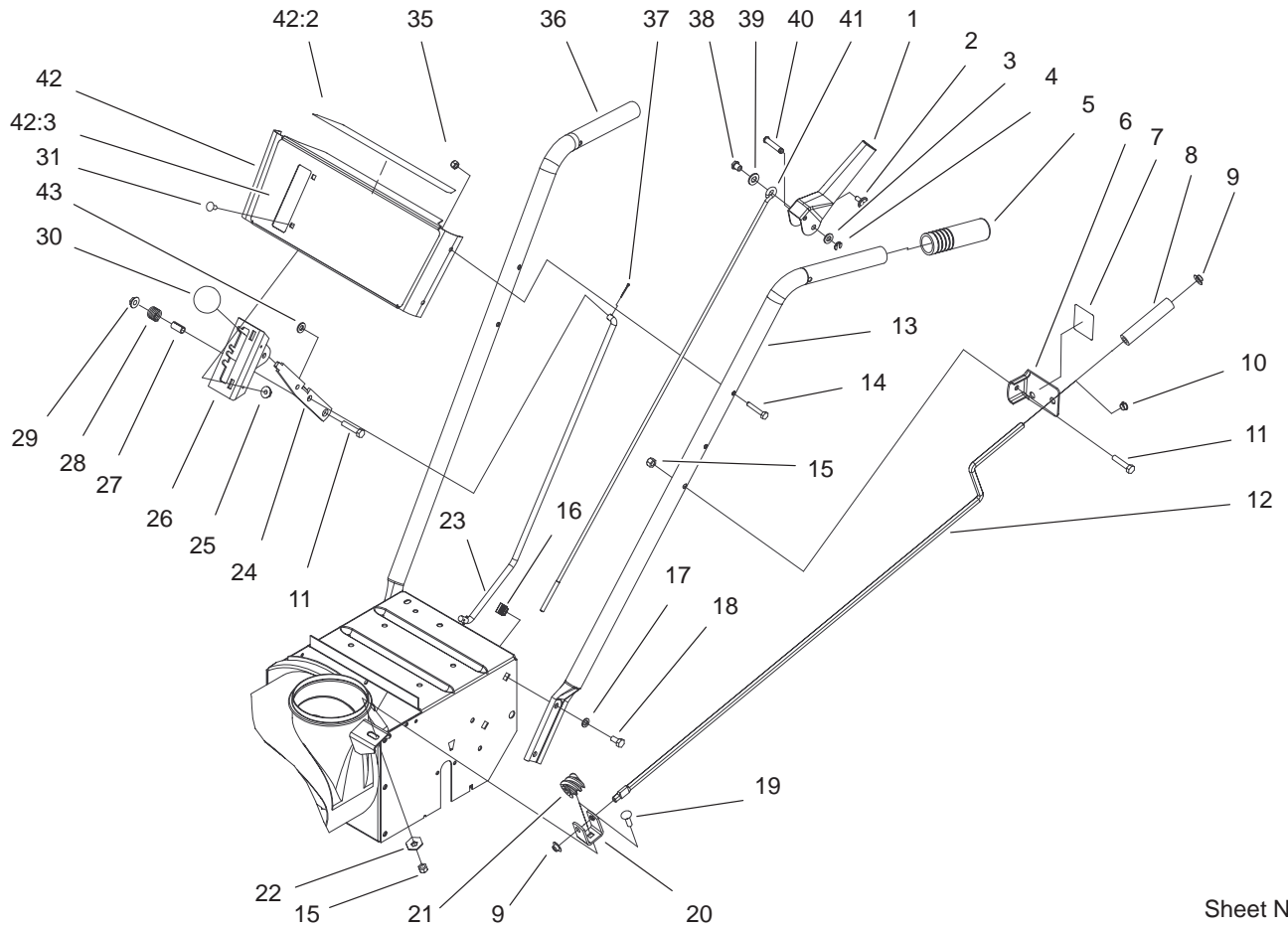


# Handle Assembly

Ref. No.	Part No.	Qty.	Description
1	63-3640	2	Handle-Control
2	3234-13	2	Screw-HHF
3	3256-23	2	Washer-Flat
4	32151-73	2	Ring-Clip
5	74-1360	2	Grip-Handle
6	25-6090	1	Bracket-Rod, Chute
7	63-3510	1	Decal - Chute Direction
8	40-8230	1	Grip-Chute Control
9	3290-320	2	Retainer-Push On
10	256-249	1	Bushing
11	322-7	2	Screw-HH
12	40-8270	1	Rod-Control, Chute
13	52-5571-03	1	Handle-Left
14	321-9	4	Screw-HH
15	3296-29	2	Nut-Lock
16	3290-196	4	Nut
17	3290-456	4	Washer-Belleville
18	322-2	4	Screw-HH
19	3230-22	1	Screw-CARR
20	40-8280	1	Bracket-Worm
21	40-8250	1	Gear-Worm, Chute
22	3290-238	1	Washer-Lock
23	74-1490	1	Rod-Selector, Speed
24	37-8821-03	1	Selector-Speed
25	32128-33	2	Nut-HF

Ref. No.	Part No.	Qty.	Description
26	39-1280-03	1	Mount-Selector, Speed
27	40-8130	1	Spacer
28	37-9150	1	Spring
29	32128-13	1	Nut-Hex Flange
30	233-21	1	Knob
31	3229-11	2	Screw-CARR
35	3296-42	4	Nut-Lock
36	52-5561-03	1	Handle-Right
37	3272-4	1	Pin-Cotter
38	47-4990	2	Post-Linkage Mounting
39	3256-24	2	Washer-Flat
40	52-5600	2	Pin-Lever, Control
41	52-5590	2	Link-Upper
42	100-3566	1	Panel ASM [Service] (only on: 38064)
42	100-3567	1	Panel ASM (only on: 38063)
42:2	99-3215	1	Decal-Escutcheon Back (only on: 38063)
42:2	99-3214	1	Decal-Escutcheon Back (only on: 38064)
42:3	100-3333	1	Decal - Escutcheon (only on: 38064)



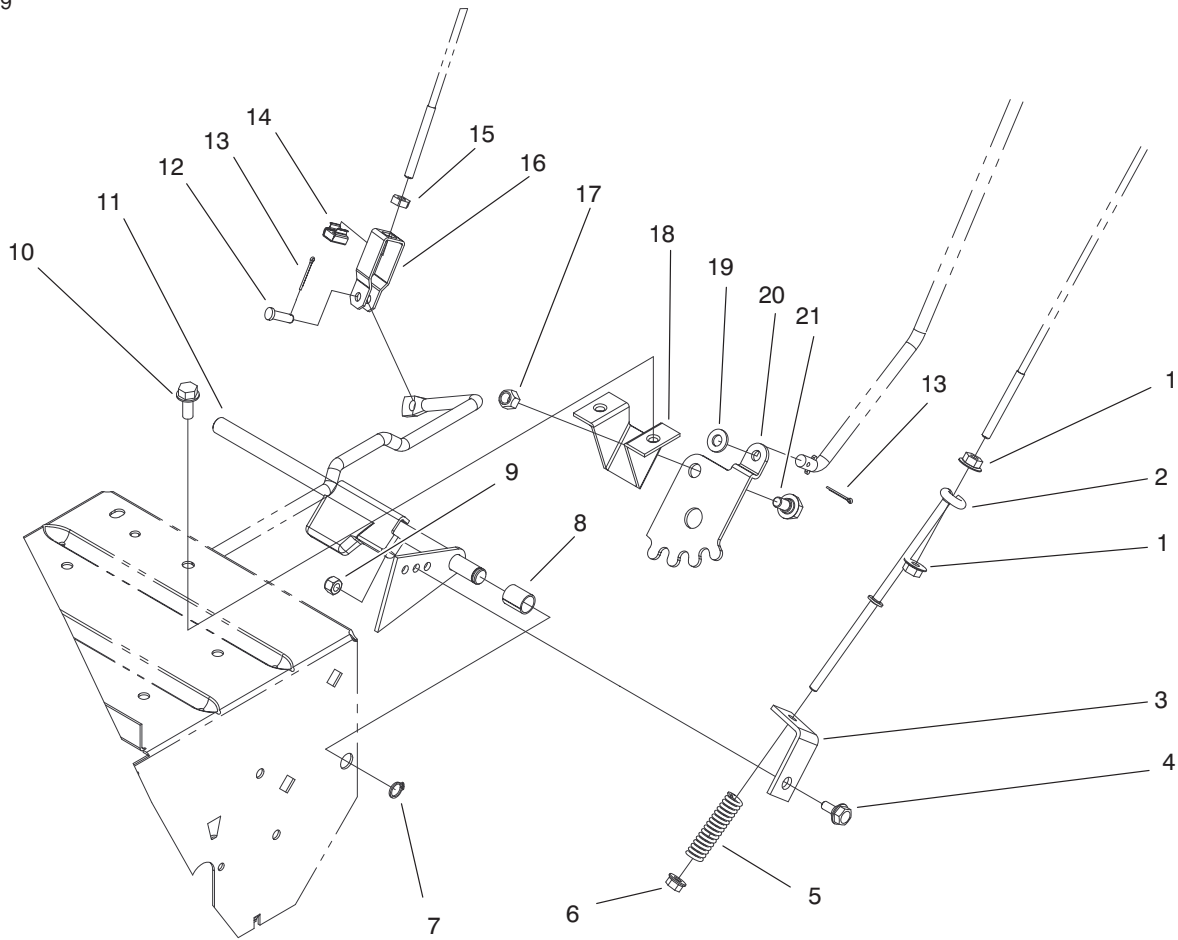


Sheet No.:6

### Handle Assembly (Continued)

Ref. No.	Part No.	Qty.	Description
42:3	100-3449	1	Decal -, Escutcheon (only on: 38063)
43	3256-24	1	Washer-Flat

Ref. No.	Part No.	Qty.	Description

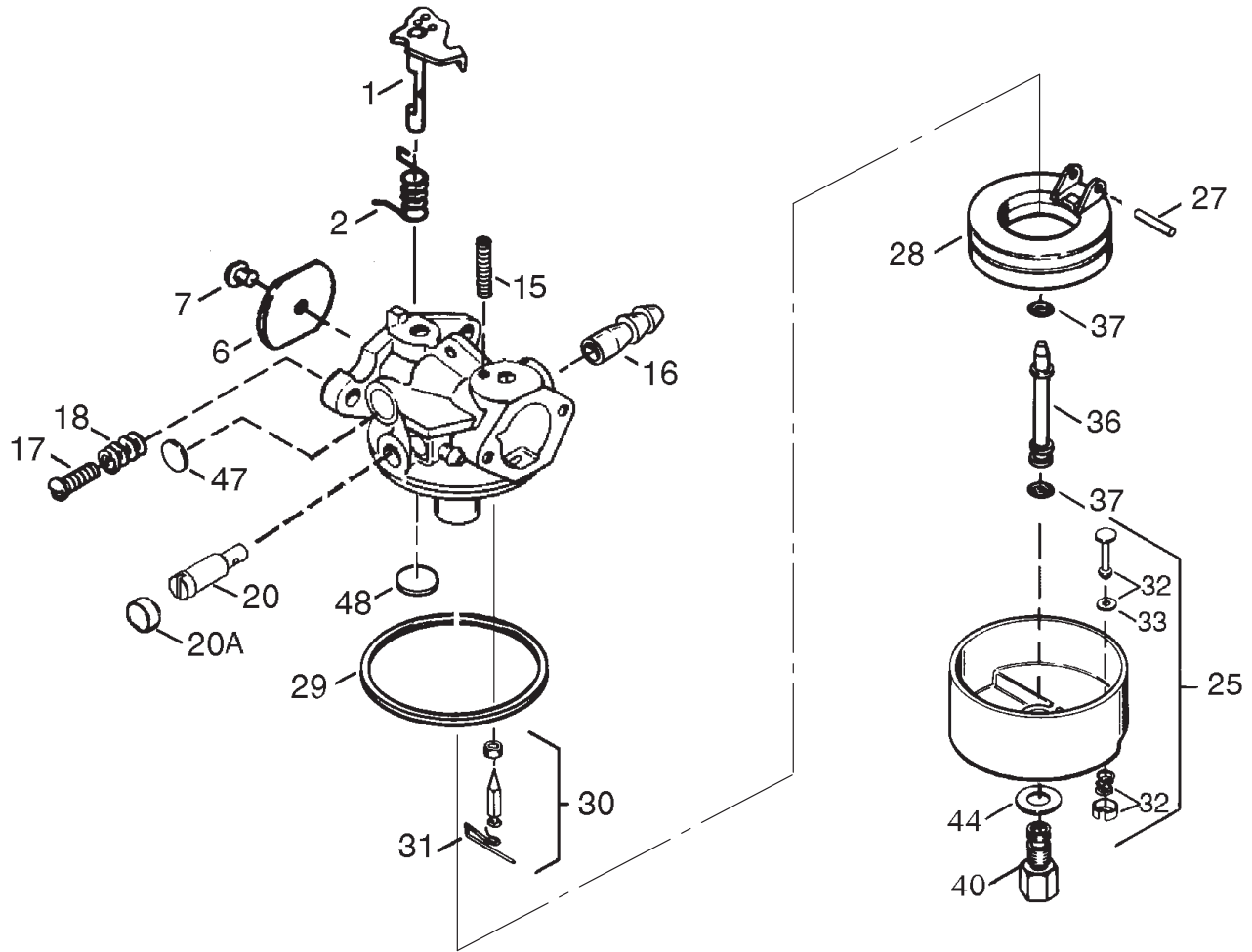


Sheet No.:7

## Linkage and Traction Assembly

Ref. No.	Part No.	Qty.	Description
1	32128-33	1	Nut-HF
2	39-3060	1	Rod-Traction, Lower
3	38-4490	1	Bracket-Traction
4	40-8350	1	Screw
5	38-4520	1	Spring
6	32128-32	2	Nut-Hex, Flange
7	32151-61	1	Ring-Retaining
8	40-9680	1	Spacer
9	3296-42	1	Nut-Lock
10	32144-70	2	Screw-HH
11	43-7310-03	1	Traction Arm Assembly
12	283-3	1	Pin-Clevis
13	3272-4	2	Pin-Cotter
14	32115-5	1	Nut-Retained
15	3218-1	1	Nut-Jam
16	39-3080	1	Clevis
17	3296-29	1	Nut-Lock
18	37-8790	1	Mount-Lever
19	3256-24	1	Washer-Flat
20	37-8801	1	Gear-Quadrant
21	37-8770	1	Bolt-shoulder

Ref. No.	Part No.	Qty.	Description



### Carburetor No. 640081

Ref. No.	Part No.	Qty.	Description
1	31834	1	Shaft & Lever Assembly
2	631767	1	Spring – Throttle Return
6	640070	1	Shutter – Throttle
7	650506	2	Screw
15	630735	1	Spring – Choke Stop
16	632164	1	Fitting – Fuel Inlet
17	651025	1	Screw – Idle
18	630766	2	Spring – Idle Screw
20	640018	1	Screw – Idle Restrictor
20A	640053	1	Screw – Idle Restrictor Cap
25	631951	1	Bowl – Assembly (Incl. Ref. #32 & 33)
27	631024	1	Shaft – Float
28	632019	1	Float – Carburetor
29	631028	1	Gasket–Bowl–to–Body
30	631021	1	Inlet Needle Seat & Clip (Incl. Ref. #31)
31	631022	1	Clip – Inlet Needle
32	27136A	1	Drain Assembly – Bowl
33	27554	1	Gasket – Bow Drain
36	632745	1	Tube – Main Nozzle

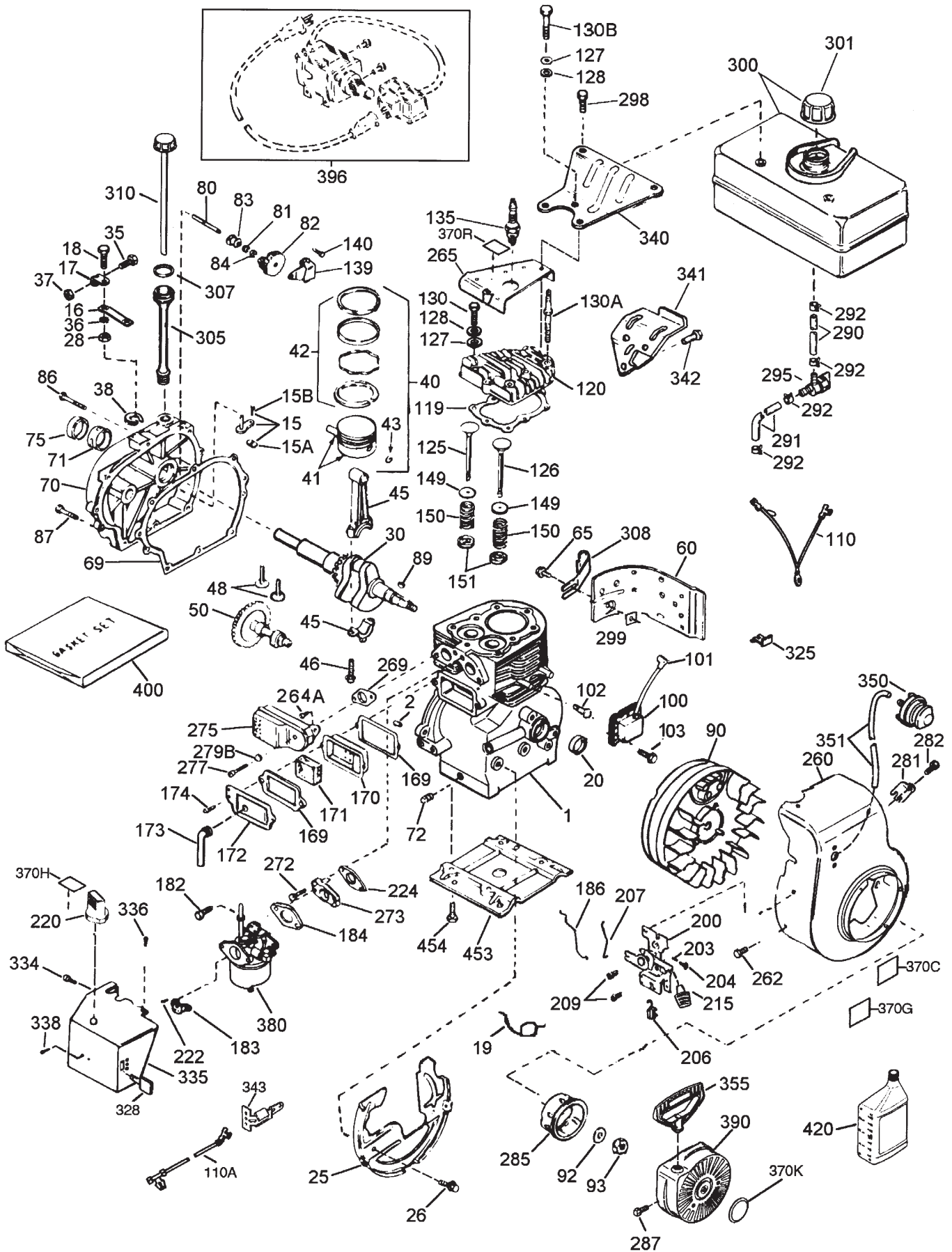
Ref. No.	Part No.	Qty.	Description
37	632547	1	O–Ring – Main Nozzle Tube
40	640110	1	Nut – High Speed Bowl
44	27110A	1	Washer – Bowl Nut
47	630748	1	Welch Plug – Idle Mix Well
48	631027	1	Welch Plug Atmospheric Vent
*	640081	1	Carburetor (Incl. Ref. #1–48)

Note: Order individual parts from your local Tecumseh dealer.

\* Not Illustrated

# Engine Tecumseh Model HSK60-76011C

## Only On: 38063



# Engine Tecumseh Model HSK60-76011C

## Only On: 38063 (Continued)

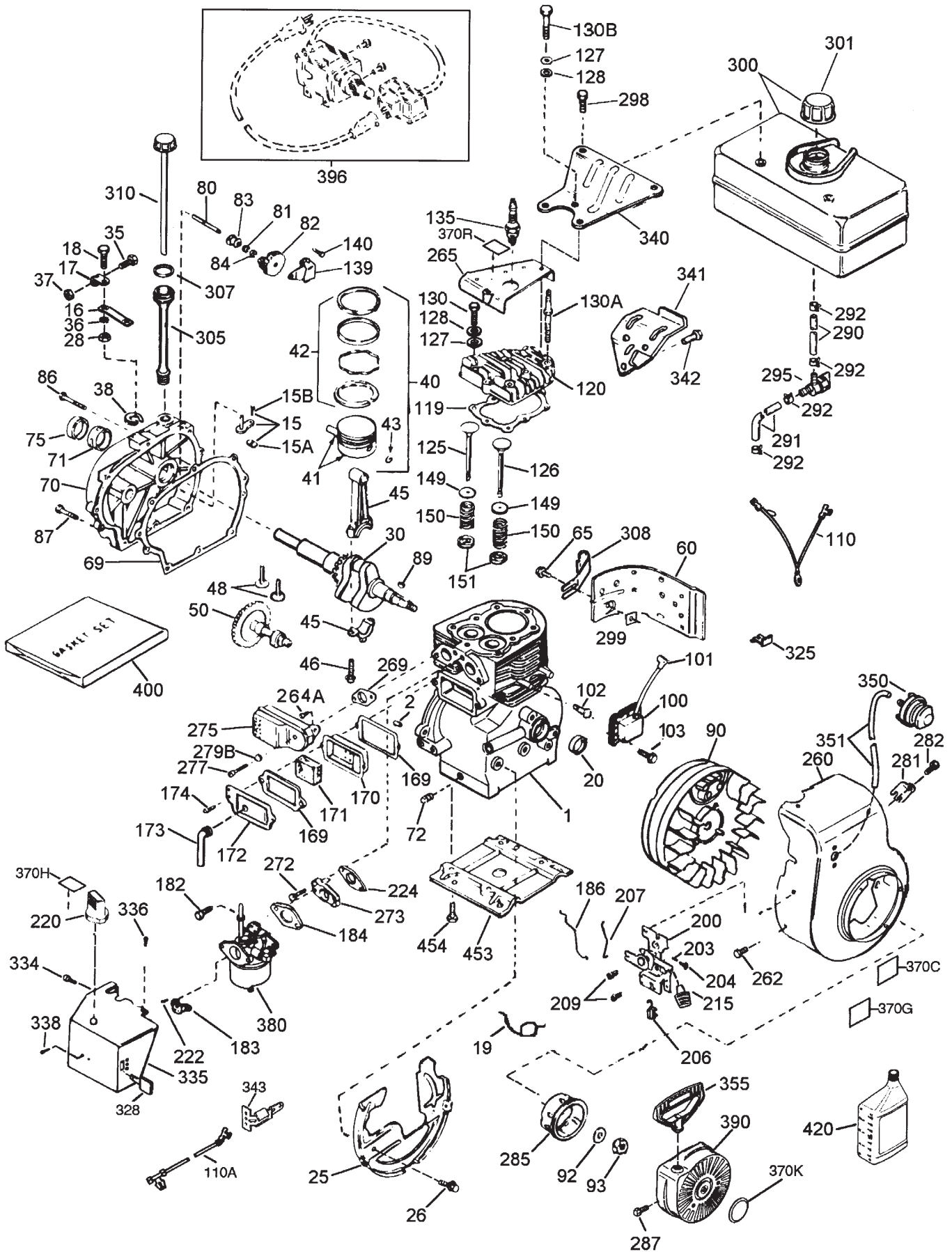
Ref. No.	Part No.	Qty.	Description	Ref. No.	Part No.	Qty.	Description
1	34919B	1	Cylinder (Incl. Ref. #2,20 & 72)	82	30591	1	Governor Gear Ass'y
2	27652	2	Dowel Pin	83	30588A	1	Governor Spool
15	30699C	1	Governor Rod (Incl. Ref. #15A & 15B)	84	29193	1	Retaining Ring
15A	30700	1	Governor Yoke	86	650488	7	Screw
15B	650494	1	Screw	87	650493	1	Screw
16	33454	1	Governor Lever	90	611085	1	Flywheel
17	29916	1	Governor Lever Clamp	92	650815	1	Belleville Washer
18	651028	1	Screw	93	8116	1	Flywheel Nut
19	34663	1	Speed Control Spring	100	34443B	1	Solid State Ignition
20	32630	1	Oil Seal	101	610118	1	Spark Plug Cover
25	36460	1	Blower Housing Baffle	102	651024	2	Solid State Mounting Stud
26	650561	2	Screw	103	651007	2	Screw, Torx T-15
28	30322	1	Lock Nut	110	35187	1	Ground Wire
30	35193	1	Crankshaft	110A	37047	1	Ground Wire
35	29826	1	Screw	*119	36445	1PK	Cylinder Head Gasket
36	29918	1	Lock Washer	120	36446	1	Cylinder Head (Incl. 3 of 131)
37	29216	1	Lock Nut	125	27878A	1	Exhaust Valve (Std.) (Incl. Ref. #151)
38	29642	1	Retaining Ring	125	27880A	1	Exhaust Valve (1/32" OS) (Incl. Ref. #151)
40	34531	1	Piston, Pin & Ring Set (.010" OS)	126	32784	1	Intake Valve (1/32" OS) (Incl. Ref. #151)
40	34532	1	Piston, Pin & Ring Set (.020" OS)	126	32783	1	Intake Valve (Std.) (Incl. Ref. #151)
40	34533	1	Piston, Pin & Ring Set (Std.)	127	650691	3	Washer
41	33312B	1	Piston & Pin Ass'y (.010" OS) (Incl. Ref. #43)	128	650690	3	Belleville Washer
41	33313B	1	Piston & Pin Ass'y (.020" OS) (Incl. Ref. #43)	130	650697A	3	Screw
41	33314B	1	Piston & Pin Ass'y (Std.) (Incl. Ref. #43)	130A	650697A	2	Screw
42	34854	1	Ring Set (Std.)	130B	650697A	3	Screw
42	34855	1	Ring Set (.020" OS)	135	35395	1	Resistor Spark Plug (RJ19LM)
42	34856	1	Ring Set (.010" OS)	139	31843A	1	Governor Gear Bracket
43	27888	2	Piston Pin Retaining Ring	140	650965	2	Screw, Torx T-25
45	31380C	1	Connecting Rod Ass'y (Incl. Ref. #46 & 49)	149	27882	2	Valve Spring Cap
46	650662C	2	Connecting Rod Bolt	150	27881	2	Valve Spring
48	34034	2	Valve Lifter	151	32581	2	Valve Spring Keeper
50	32115	1	Camshaft (MCR)	*169	27896A	2PK	Valve Cover Gasket
60	30622A	1	Blower Housing Extension	170	28423	1	Breather Body
65	650128	1	Screw	171	28424	1	Breather Element
69	30684	1PK	Cylinder Cover Gasket	172	28425	1	Valve Cover
*70	31303C	1	Cylinder Cover (Incl. Ref. #71, 75, & 80)	173	35350	1	Breather Tube
71	31546	1	Crankshaft Bushing	174	650128	2	Screw
72	27642	2	Oil Drain Plug	182	650517	2	Screw
75	28427	1	Oil Seal	183	32398	1	Choke Bracket
80	31845	1	Governor Shaft	*184	31688A	1PK	Carburetor To Intake Pipe Gasket
81	30590A	1	Washer	186	34661	1	Governor Link
				200	34677	1	Control Bracket (Incl. Ref. #203, 204, & 206)
				203	31342	1	Compression Spring
				204	651029	1	Screw
				206	610973	1	Terminal
				207	34662	1	Throttle Link

Note: Order individual parts from your local Tecumseh dealer.

\* Included in Gasket Set Ref. #400.

# Engine Tecumseh Model HSK60-76011C

## Only On: 38063



## Engine Tecumseh Model HSK60-76011C Only On: 38063 (Continued)

Ref. No.	Part No.	Qty.	Description	Ref. No.	Part No.	Qty.	Description
209	650821	2	Screw				
215	35440	1	Control Knob				
220	35439	1	Control Knob				
222	28820	2	Screw				
*224	27915A	1PK	Intake Pipe Gasket				
260	36254	1	Blower Housing				
262	29747B	2	Screw, Torx T-40				
264A	30196	1	Screw Tecumseh				
269	35865	1PK	Exhaust Gasket				
272	30196	2	Screw				
275	32401	1	Muffler				
277	650694A	1	Screw				
279B	26073	1	Washer				
281	33013	1	Starter Bubble Cover				
282	650760	1	Screw				
285	35287B	1	Starter Cup				
287	650926	3	Screw				
290	29774	1	Fuel Line				
291	30962	1	Fule Line				
292	26460	4	Fuel Line Clamp				
295	35857	1	Fuel Shut-Off Valve				
298	650665	2	Screw				
299	650764	1	"U" Type Nut				
300	34186A	1	Fuel Tank (Incl. Ref. #292 & 301)				
301	36246	1	Fuel Cap				
305	35554	1	Oil Fill Tube				
307	35499	1	"O" Ring				
308	35540	1	Fill Tube Clip				
310	36205	1	Dipstick				
325	29443	1	Wire Clip				
328	35062	2	Key Switch				
334	650257	2	Screw				
335	35060	1	Carburetor Cover				
336	650765	1	Screw				
338	650760	1	Screw				
340	34159	1	Fuel Tank Bracket				
341	34158	1	Fuel Tank Bracket				
342	650561	1	Screw				
343	35079	1	Key Switch Bracket				
350	570682A	1	Primer Ass'y				
351	32180C	1	Primer Line				
355	590574	1	Starter Handle				
370C	36501	1	Primer Decal				
370G	35063	1	Instruction Decal				
370H	34418	1	Choke Decal				
370K	36695	1	Starter Decal				
370R	37119	1	Warning Decal				
380	640081	1	Carburetor (Incl. Ref. #184)				
390	590742	1	Rewind Starter				
396	33328D	1	Electric Starter Motor (Optional)				
400	33235A	1	Gasket Set				
420	730225	1	Sae 30 4-Cycle Engine Oil (Quart)				
453	29538	1	Engine Mounting Base				
454	650542	4	Screw				

Note: Order individual parts from your local Tecumseh dealer.

\* Included in Gasket Set Ref. #400.





# Engine Tecumseh Model HSK60-76012C

## Only On: 38064 (Continued)

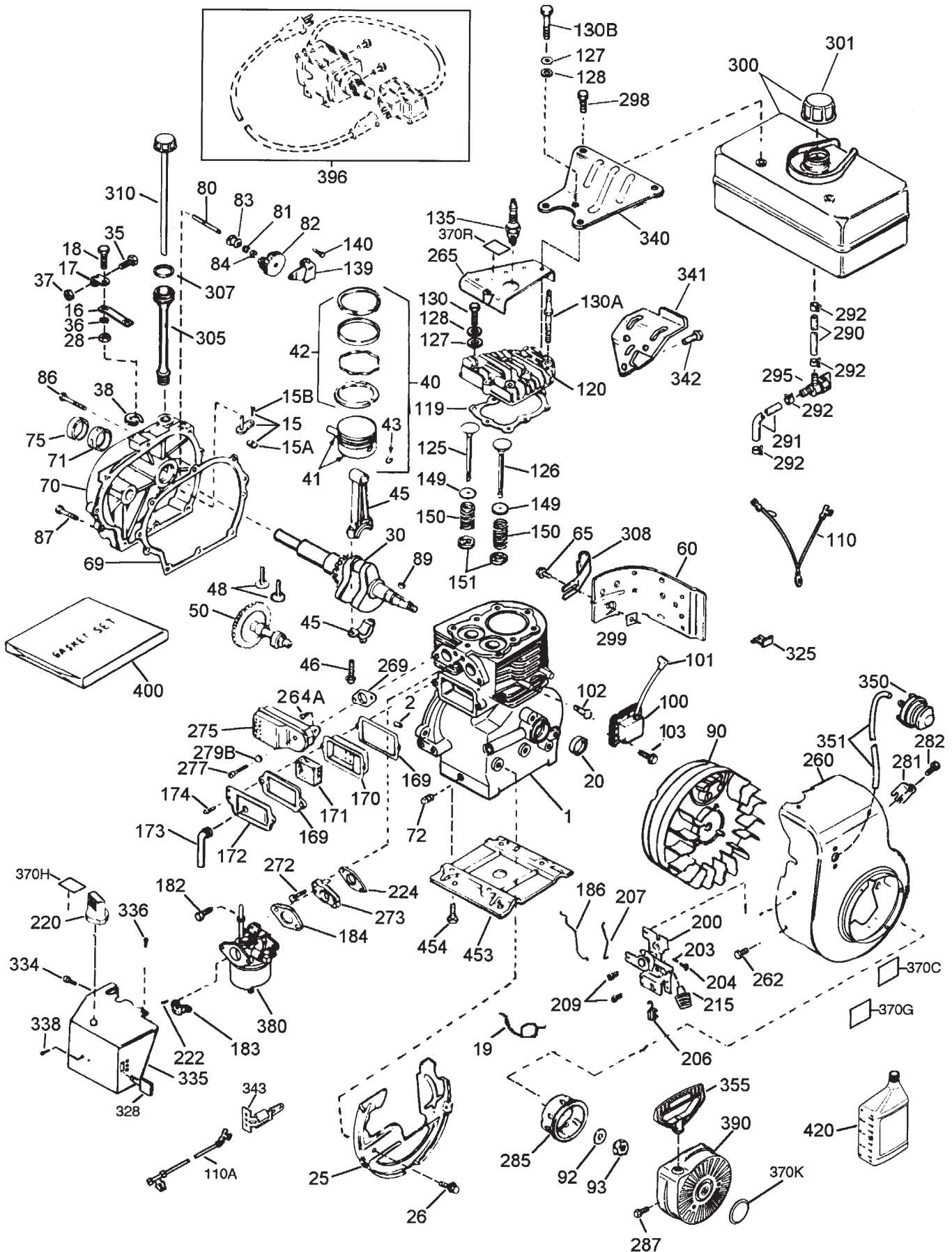
Ref. No.	Part No.	Qty.	Description	Ref. No.	Part No.	Qty.	Description
1	34919B	1	Cylinder (Incl. Ref. #2,20 & 72)	80	31845	1	Governor Shaft
2	27652	2	Dowel Pin	81	30590A	1	Washer
15	30699C	1	Governor Rod (Incl. Ref. #15A & 15B)	82	30591	1	Governor Gear Ass'y
15A	30700	1	Governor Yoke	83	30588A	1	Governor Spool
15B	650494	1	Screw	84	29193	1	Retaining Ring
16	33454	1	Governor Lever	86	650488	7	Screw
17	29916	1	Governor Lever Clamp	87	650493	1	Screw
18	651028	1	Screw	90	611085	1	Flywheel
19	34663	1	Speed Control Spring	92	650815	1	Belleville Washer
20	32630	1	Oil Seal	93	8116	1	Flywheel Nut
25	36460	1	Blower Housing Baffle	100	34443B	1	Solid State Ignition
26	650561	2	Screw	101	610118	1	Spark Plug Cover
28	30322	1	Lock Nut	102	651024	2	Solid State Mounting Stud
30	35193	1	Crankshaft	103	651007	2	Screw, Torx T-15
35	29826	1	Screw	110	35187	1	Ground Wire
36	29918	1	Lock Washer	110A	37047	1	Ground Wire
37	29216	1	Lock Nut	*119	36445	1PK	Cylinder Head Gasket
38	29642	1	Retaining Ring	120	36446	1	Cylinder Head (Incl. 3 of 131)
40	34531	1	Piston, Pin & Ring Set (.010" OS)	125	27878A	1	Exhaust Valve (Std.) (Incl. Ref. #151)
40	34532	1	Piston, Pin & Ring Set (.020" OS)	125	27880A	1	Exhaust Valve (1/32" OS) (Incl. Ref. #151)
40	34533	1	Piston, Pin & Ring Set (Std.)	126	32784	1	Intake Valve (1/32" OS) (Incl. Ref. #151)
41	33312B	1	Piston & Pin Ass'y (.010" OS) (Incl. Ref. #43)	126	32783	1	Intake Valve (Std.) (Incl. Ref. #151)
41	33313B	1	Piston & Pin Ass'y (.020" OS) (Incl. Ref. #43)	127	650691	3	Washer
41	33314B	1	Piston & Pin Ass'y (Std.) (Incl. Ref. #43)	128	650690	3	Belleville Washer
42	34854	1	Ring Set (Std.)	130	650697A	3	Screw
42	34855	1	Ring Set (.020" OS)	130A	650697A	2	Screw
42	34856	1	Ring Set (.010" OS)	130B	650697A	3	Screw
43	27888	2	Piston Pin Retaining Ring	135	35395	1	Resistor Spark Plug (RJ19LM)
45	31380C	1	Connecting Rod Ass'y (Incl. Ref. #46 & 49)	139	31843A	1	Governor Gear Bracket
46	650662C	2	Connecting Rod Bolt	140	650965	2	Screw, Torx T-25
48	34034	2	Valve Lifter	149	27882	2	Valve Spring Cap
50	32115	1	Camshaft (MCR)	150	27881	2	Valve Spring
60	30622A	1	Blower Housing Extension	151	32581	2	Valve Spring Keeper
65	650128	1	Screw	*169	27896A	2PK	Valve Cover Gasket
69	30684	1PK	Cylinder Cover Gasket	170	28423	1	Breather Body
*70	31303C	1	Cylinder Cover (Incl. Ref. #71, 75, & 80)	171	28424	1	Breather Element
71	31546	1	Crankshaft Bushing	172	28425	1	Valve Cover
72	27642	2	Oil Drain Plug	173	35350	1	Breather Tube
75	28427	1	Oil Seal	174	650128	2	Screw
				182	650517	2	Screw
				183	32398	1	Choke Bracket
				*184	31688A	1PK	Carburetor To Intake Pipe Gasket
				186	34661	1	Governor Link
				200	34677	1	Control Bracket (Incl. Ref. #203, 204, & 206)
				203	31342	1	Compression Spring

Note: Order individual parts from your local Tecumseh dealer.

\* Included in Gasket Set Ref. #400.

# Engine Tecumseh Model HSK60-76012C

## Only On: 38064

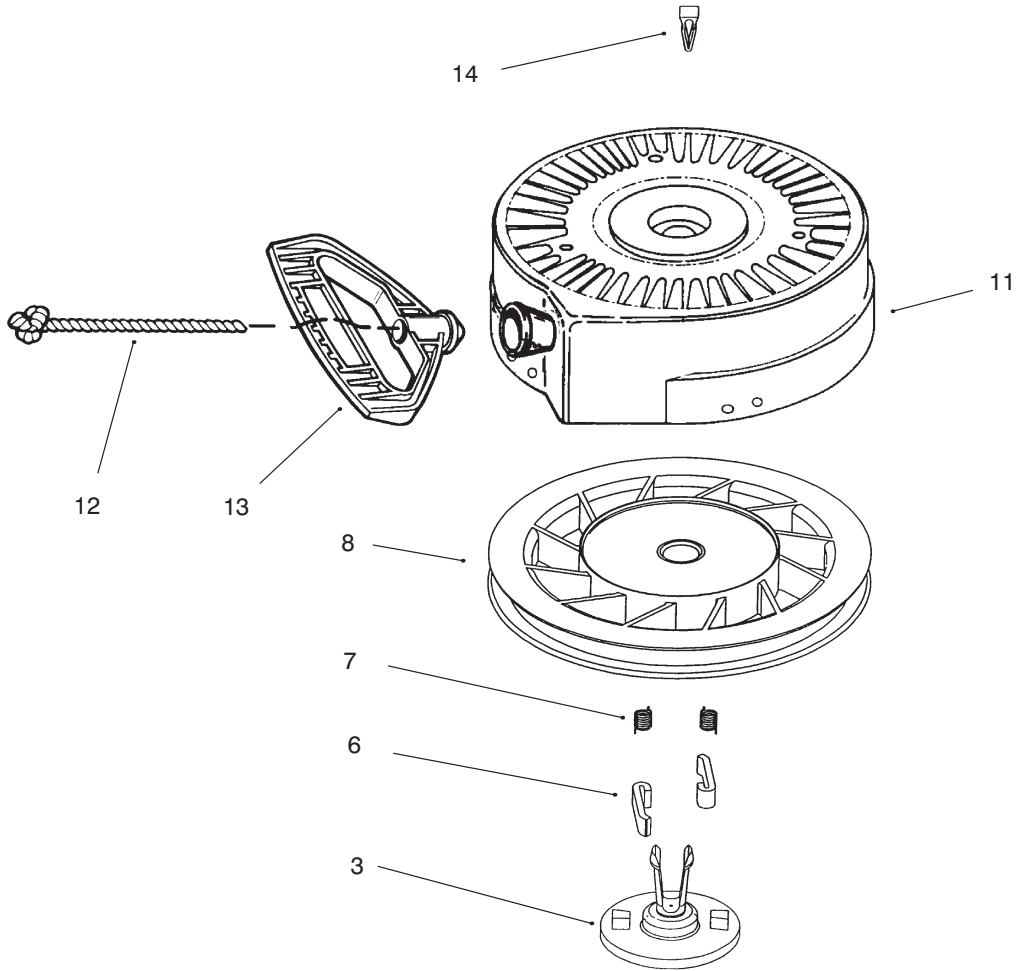


## Engine Tecumseh Model HSK60-76012C Only On: 38064 (Continued)

Ref. No.	Part No.	Qty.	Description	Ref. No.	Part No.	Qty.	Description
204	651029	1	Screw	453	29538	1	Engine Mounting Base
206	610973	1	Terminal	454	650542	4	Screw
207	34662	1	Throttle Link				
209	650821	2	Screw				
215	35440	1	Control Knob				
220	35439	1	Control Knob				
222	28820	2	Screw				
*224	27915A	1PK	Intake Pipe Gasket				
260	36254	1	Blower Housing				
262	29747B	2	Screw, Torx T-40				
264A	30196	1	Screw				
269	35865	1PK	Exhaust Gasket				
272	30196	2	Screw				
275	32401	1	Muffler				
277	650694A	1	Screw				
279B	26073	1	Washer				
281	33013	1	Starter Bubble Cover				
282	650760	1	Screw				
285	35287B	1	Starter Cup				
287	650926	3	Screw				
290	29774	1	Fuel Line				
291	30962	1	Fule Line				
292	26460	4	Fuel Line Clamp				
295	35857	1	Fuel Shut-Off Valve				
298	650665	2	Screw				
299	650764	1	"U" Type Nut				
300	34186A	1	Fuel Tank (Incl. Ref. #292 & 301)				
301	36246	1	Fuel Cap				
305	35554	1	Oil Fill Tube				
307	35499	1	"O" Ring				
308	35540	1	Fill Tube Clip				
310	36205	1	Dipstick				
325	29443	1	Wire Clip				
328	35062	2	Key Switch				
334	650257	2	Screw				
335	35060	1	Carburetor Cover				
336	650765	1	Screw				
338	650760	1	Screw				
340	34159	1	Fuel Tank Bracket				
341	34158	1	Fuel Tank Bracket				
342	650561	1	Screw				
343	35079	1	Key Switch Bracket				
350	570682A	1	Primer Ass'y				
351	32180C	1	Primer Line				
355	590574	1	Starter Handle				
370C	36501	1	Primer Decal				
370G	35063	1	Instruction Decal				
370H	34418	1	Choke Decal				
370K	36695	1	Starter Decal				
370R	37119	1	Warning Decal				
380	640081	1	Carburetor (Incl. Ref. #184)				
390	590742	1	Rewind Starter				
396	33328D	1	Electric Starter Motor (110 Volt)				
400	33235A	1	Gasket Set				
420	730225	1	Sae 30 4-Cycle Engine Oil (Quart)				

Note: Order individual parts from your local Tecumseh dealer.

\* Included in Gasket Set Ref. #400.

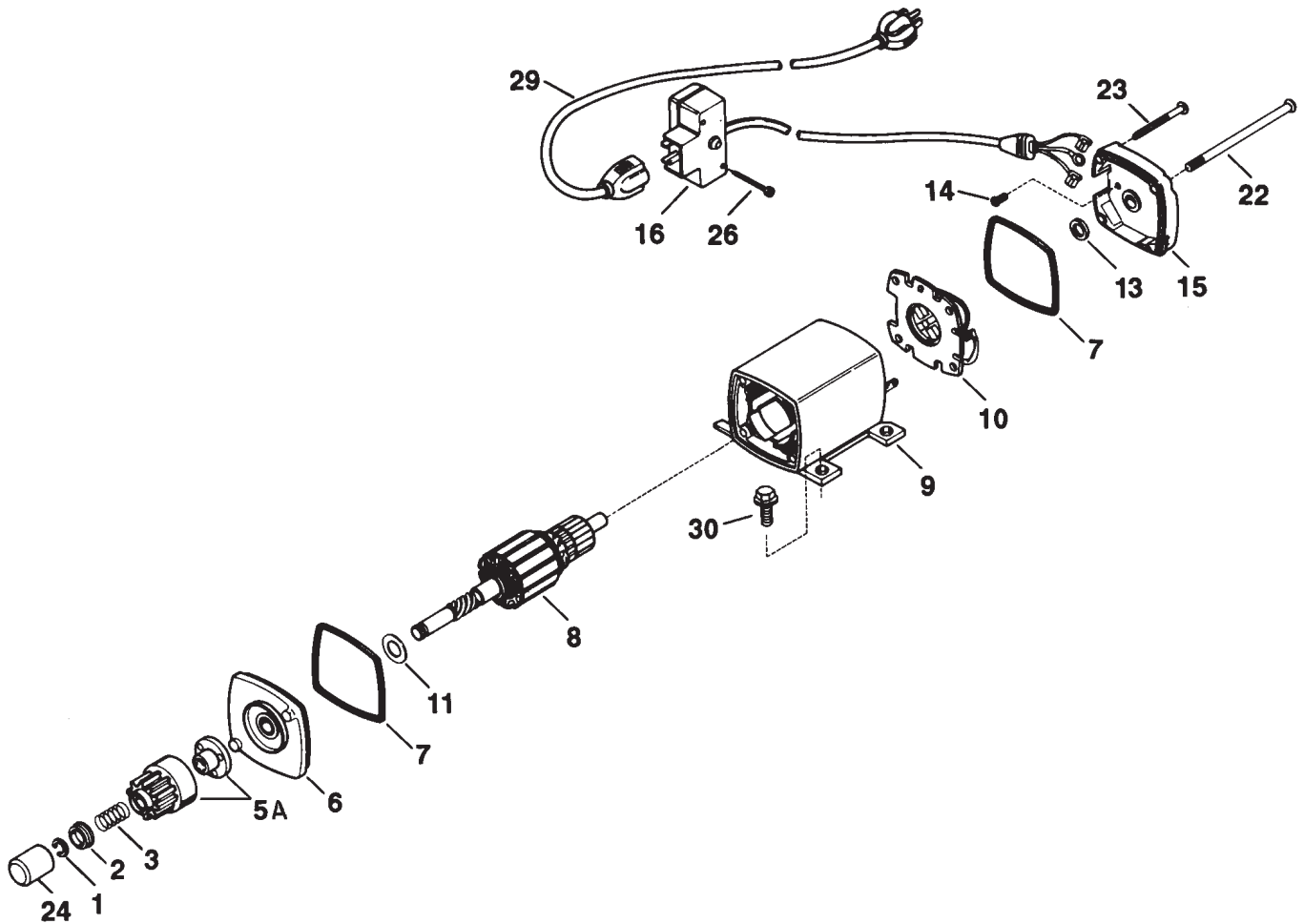


### Recoil Starter No. 590742

Ref. No.	Part No.	Qty.	Description
3	590740	1	Retainer
6	590616	2	Starter Dog
7	590617	2	Dog Spring
8	590645A	1	Pulley & Rewind Spring Asm.
11	590647	1	Starter Housing Asm.
12	590535	1	Starter Rope
13	590574	1	Mitten Grip Handle
14	590760	1	Spring Clip

Ref. No.	Part No.	Qty.	Description

Note: Order individual parts from your local Tecumseh dealer.



## Electric Starter Kit No. 38037 (Optional On 38063)

Ref. No.	Part No.	Qty.	Description	Ref. No.	Part No.	Qty.	Description
1	33842	1	Ring - Retainer	30	30063	4	Screw - Hex. Hd.
2	33430	1	Retainer - Spring	*	730623	1	Switch Repair Kit
3	33431	1	Spring - Anti-Drift				
5A	37050	1	Gear & Nut (Incl. Ref. #1)				
6	35449	1	Cap Assembly Drive End (Incl. Ref. #7)				
7	35450	2	"O" Ring				
8	35914	1	Armature				
9	35457A	1	Housing Assembly				
10	35452A	1	Card Assembly, Brush				
11	35911	1	Washer - Thrust				
13	590500	1	Washer - Thrust				
14	33441	1	Screw - Ground				
15	35453	1	Cap Assy., Commutator End (Incl. Ref. #7)				
16	35454	1	Box Assembly - Switch (Incl. Ref. #26)				
22	35458	2	Bolt - Case				
23	35456	1	Screw - Grounding				
24	33451	1	Cover - Dust				
26	650819	2	Screw - Hex. Hd.				
29	32450B	1	Cord - Extension, 10' 6"				

Note: Order individual parts from your local Tecumseh dealer.

\* Not Illustrated

# Maintenance Record

Date								

# Maintenance Record

Date								

