



21" Recycler[®]

Walk Behind Mower

Model No. 20010 – 9900001 & Up

Parts Catalog

ORDERING REPLACEMENT PARTS

To order replacement parts, please supply: the part number, the quantity, and the description of each part desired.

Contents

Description	Page	Description	Page
Housing, Handle Brackets, & Wheel Assembly . .	1	Toro Part Number Index	11-12
Engine & Blade Assembly	2	Maintenance	13
Handle & Controls Assembly	3		
Engine Briggs & Stratton			
Model 12H802-1767-E1	4-10		

Note:

Accessories

Description	Model / Parts No.	Description	Model / Parts No.
Recycler Bagging Kit	Model No. 59299		
Chute Plug Kit	Model No. 59134		

Part Description Abbreviations

Part descriptions in this catalog may include the following abbreviations.

Abbreviation	Meaning	Abbreviation	Meaning
AR	as required	HWHTF	hex washer head thread forming
ASM	assembly	INC	incorporated
CARR	carriage	LH	left hand
DEG	degrees	PH	pan head
FH	flat head	PPH	Phillips pan head
GA	gauge	PTO	power take off
HF	hex flange	RH	right hand
HFW	hex flange washer	SFH	slotted fillister head
HH	hex head	SH	square head
HHF	hex head flange	SHWH	slotted hex washer head
HHST	hex head self tapping	SPH	slotted pan head
HJ	hex jam	STD	standard
HOC	height-of-cut	TAP	self tapping
HS	hex socket	TH	truss head
HSBH	hex socket button head	TTH	Torx truss head
HSFH	hex socket flat head	WH	wing head
HSH	hex socket head		
HWH	hex washer head		

Important Format Explanations

This catalog uses special formats to convey information in illustrations and parts lists. Specifically, one format is used in conjunction with service assemblies and another with quantities associated with reference numbers.

Service Assemblies

Parts within service assemblies have reference numbers in the form $X:Y$. X is the reference number of the service assembly and Y is a sequential number unique to each part within the service assembly.

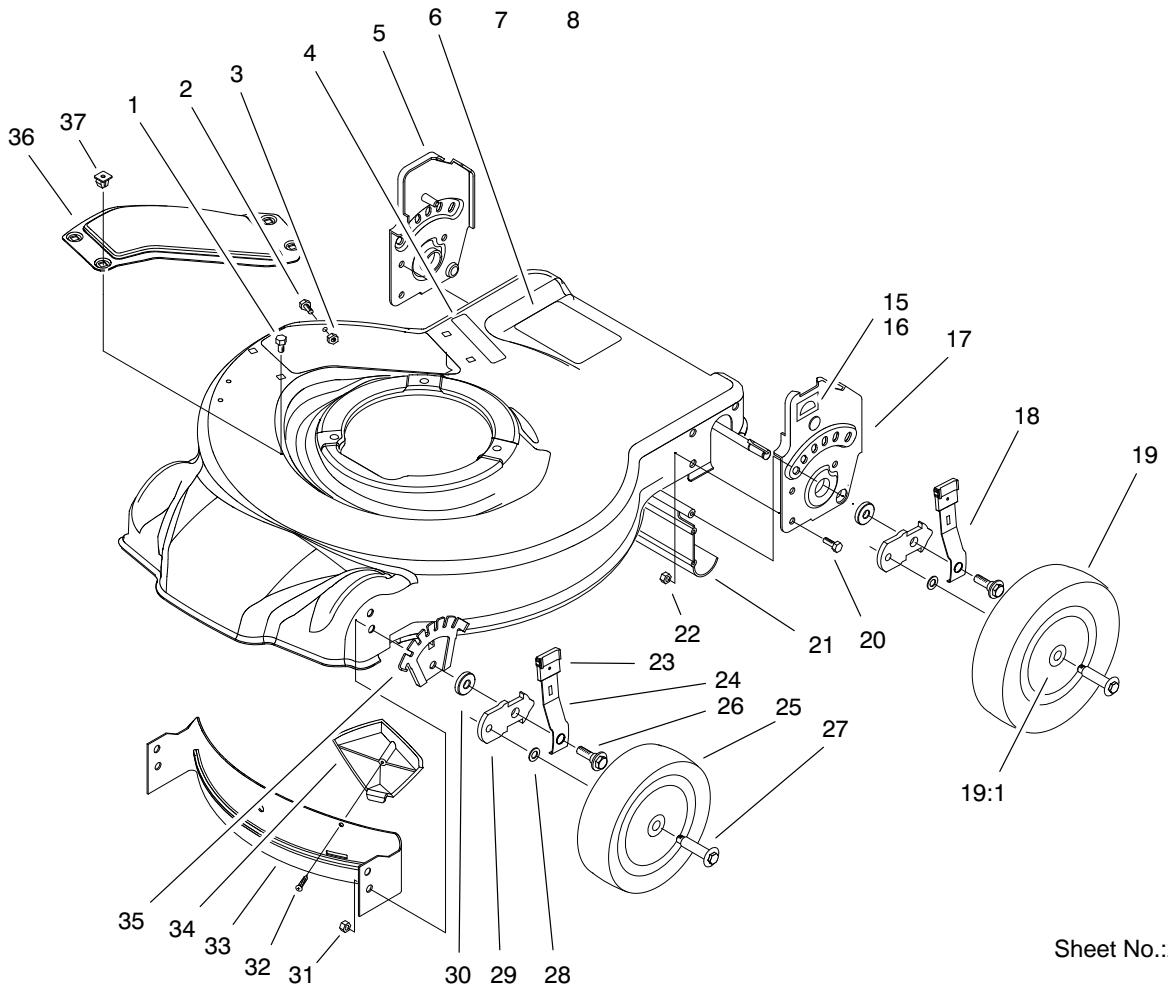
For example, a wheel assembly might be identified by reference number 6, the tire by 6:1, the valve by 6:2, and the wheel by 6:3. When you order the assembly identified by reference number 6, you receive all parts identified by reference numbers 6:1, 6:2, and 6:3. However, you may also order any part individually.

Reference numbers of this type appear in part lists and as callouts in illustrations.

Reference Numbers with Quantities

Illustrations may have a quantity in parentheses next to a reference number, in the form $X (Y)$. X is the reference number. Y in parentheses is the quantity of the part identified by the reference number.

For example, the illustration callout 4 (2) indicates that two parts are used in that instance.

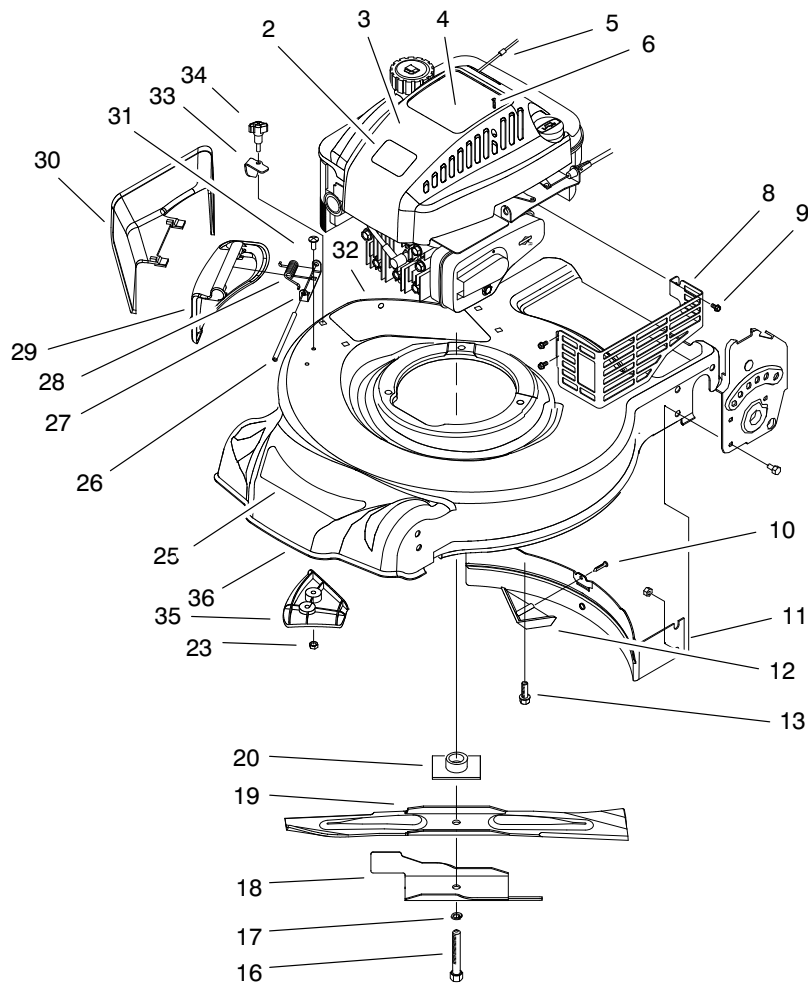


Sheet No.:2

Housing, Handle Brackets, & Wheel Assembly

Ref. No.	Part No.	Qty.	Description
1	32144-4	3	Screw-HH
2	32105-27	1	Screw
3	3296-2	1	Nut-Lock Esna
4	99-6018	1	Decal - Warning
5	93-0236	1	ASM - RH Handle Bracket
6	93-0248	1	Decal - Warning
15	92-2915	1	Decal - HOC L
16	92-2914	1	Decal - HOC R
17	93-0235	1	ASM - LH Handle Bracket
18	92-1005	2	Spring Arm ASM - Rear
19	92-9592	2	Assembly - 8" Wheel
19:1	27-6250	2	Bushing (614409 Lb#)
20	322-3	4	Screw-HH
21	92-8647	1	Shield - Trailing
22	3296-29	4	Nut-Lock Ni
23	92-1008	4	Knob-Height Adj Lever
24	614687	2	Arm-Front Spring
25	92-9591	2	Assembly - 7" Wheel
26	614650	4	Bolt-Shoulder
27	614672	4	Bolt-Shoulder
28	40-1940	4	Washer-Wheel Bolt
29	95-7403-03	4	Brkt-Whl Ht Adj

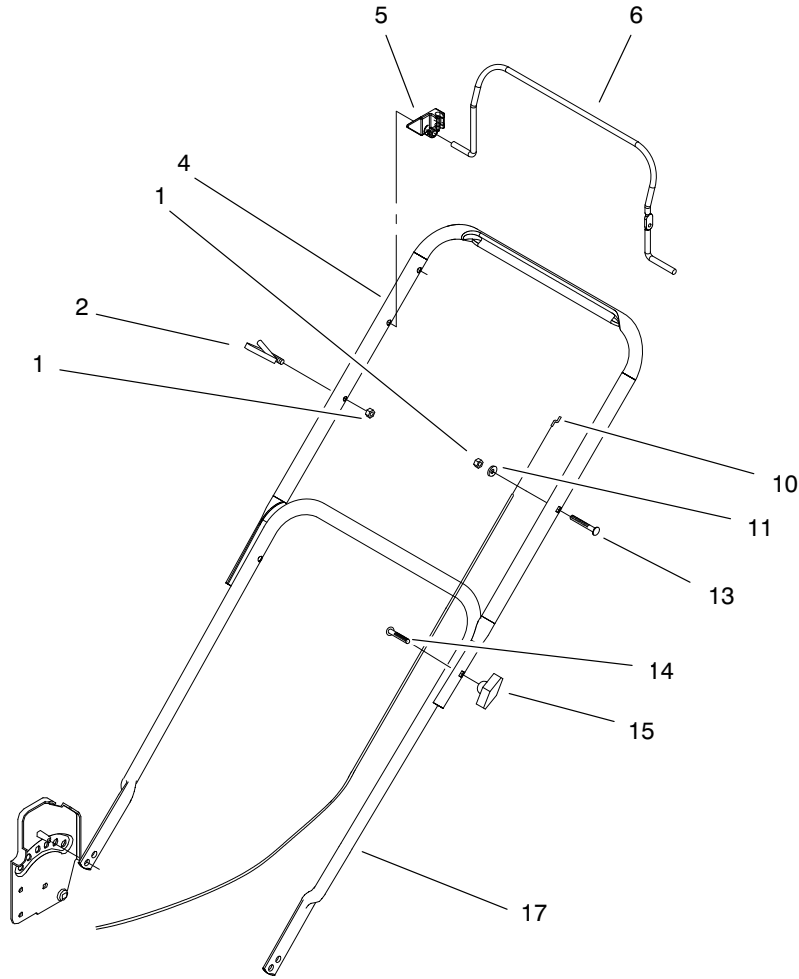
Ref. No.	Part No.	Qty.	Description
30	92-4890	4	Washer - Wheel
31	3296-39	4	Nut-Lock Ni
32	93-0231	1	Screw - PPH
33	93-0222-03	1	Baffle - Front
34	93-0216	1	Kicker - Front
35	92-4881-03	2	Plate - Hght Adj
36	93-0230-01	1	Cover - Recycling
37	93-0242	4	Grommet



Sheet No.:3

Engine & Blade Assembly

Ref. No.	Part No.	Qty.	Description	Ref. No.	Part No.	Qty.	Description
2	98-3206	1	Nameplate – Toro	28	99-5293	1	Spring-Torsion (Steel Side Discharge)
3	93-0243	1	Shroud-Quantum Wedge	29	99-5294	1	Cover-Side (Steel Side Discharge)
4	99-6013	1	Decal – Recoil	30	99-5295	1	Chute-Side (Side Discharge)
5	2210-316	1	Stop-Rope F/W Engine	31	3229-11	2	Screw-CARR
6	32144-121	2	Screw-Pan Hd	32	43-8480	1	Decal-Danger
8	82-8550-03	1	Shield-Muffler	33	100-1589-03	1	Clamp-Door
9	32144-73	3	Screw	34	98-8332	1	Knob
10	93-0231	1	Screw – PPH	35	99-6349	1	Baffle
11	93-0223-03	1	Baffle – Rear (Black)	36	100-1181	1	Housing (Service)
12	93-0217	1	Kicker – Rear				
13	95-1726	3	Screw-Taptite w/Patch				
16	95-1748	1	Screw-Blade				
17	3253-22	1	Washer-Lock/Sp				
18	93-0219-03	1	Accelerator				
19	93-0241	1	Blade – Steel Deck (Raw)				
20	99-5287	1	ASM-Blade Driver				
23	3296-42	2	Nut-Lock Ni				
25	99-6011	1	Decal – Deck				
26	99-5291	1	Rod-Cover (Steel Side Discharge)				
27	99-5292	1	Bracket-Cover (Steel Side Discharge)				

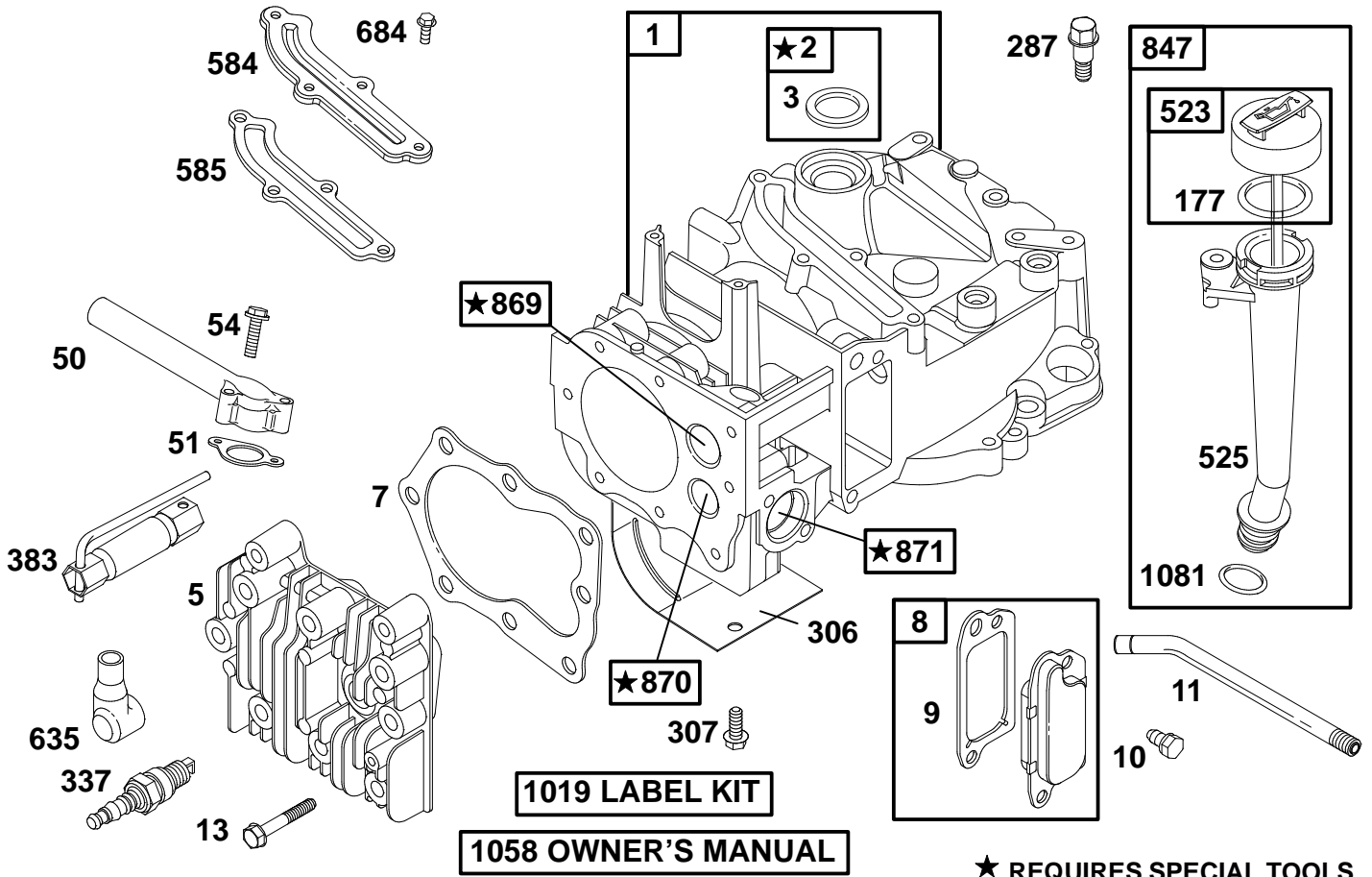


Sheet No.:5

Handle & Controls Assembly

Ref. No.	Part No.	Qty.	Description
1	3296-73	2	Nut-Lock
2	86-9671	1	Guide-Rope
4	99-1569-05	1	Handle-Upper
5	94-6097	1	Stop
6	99-1570-03	1	Bail-Brake
10	99-5229	1	Cable-Brake
11	3256-1	1	Washer-Flat
13	95-4453	1	Screw - Handle
14	92-2260	2	Screw-Handle
15	98-7134	2	Knob-Handle
17	99-6021-05	1	Lower Handle

Ref. No.	Part No.	Qty.	Description



Assemblies include all parts shown in frames.

★ REQUIRES SPECIAL TOOLS TO INSTALL. SEE REPAIR INSTRUCTION MANUAL.

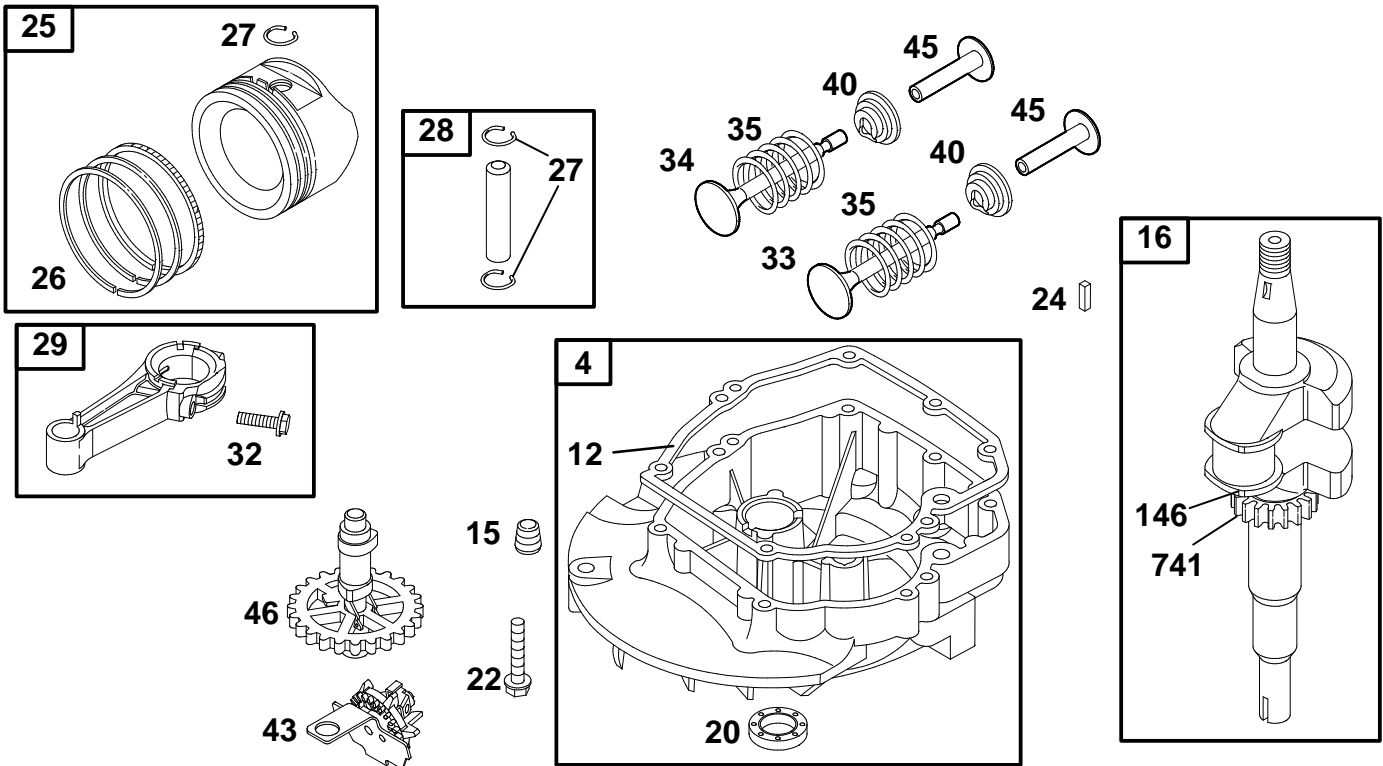
ENGINE BRIGGS & STRATTON MODEL 12H802-1767-E1

Ref. No.	Part No.	Description	No. Used
1	493260	Cylinder Assembly	1
2	399269	Bushing	1
★3	299819	Seal-Oil	1
5	691160	Cylinder Head	1
★†7	272916	Cylinder Head Gasket	1
8	495786	Breather Assembly	1
★†9	272481	Breather Gasket	1
10	94650	Screw (Breather Assy)	1
11	231685	Breather Tube	1
13	94547	Screw (Cylinder Head)	1
50	497465	Intake Manifold	1
★51	272199	Intake Gasket	1
54	94526	Screw (Intake Manifold)	1
★177	280393	O-Ring Seal	1
287	94511	Screw (Dipstick Tube)	1
306	690450	Shield-Cylinder	1

Ref. No.	Part No.	Description	No. Used
307	690345	Screw (Cylinder Shield)	1
337	802592	Sparkplug	1
383	89838	Wrench-Sparkplug	1
523	495264	Dipstick	1
525	495265	Dipstick Tube	1
584	692342	Breather Passage Cover	1
★585	272238	Breather Passage Gasket	1
635	66538	Boot-Sparkplug	1
684	94515	Screw (Breather Passage Cover)	1
847	495263	Dipstick/Tube Assembly	1
869	691155	Seat-Valve (Intake)	1
870	690380	Seat-Valve (Exhaust)	1
871	262001	Bushing-Guide	1
1019	494256	Label Kit	1
1058	273693	Owner's Manual	1
★1081	280966	O-Ring Seal	1

★ Included in Gasket Set-See Ref. 358.
● Included in Carburetor Kit-See Ref. 121.

◆ Included in Carburetor Gasket Set-See Ref. 977.
† Included in Valve Overhaul Gasket Set-See Ref. 1095.



Assemblies include all parts shown in frames.

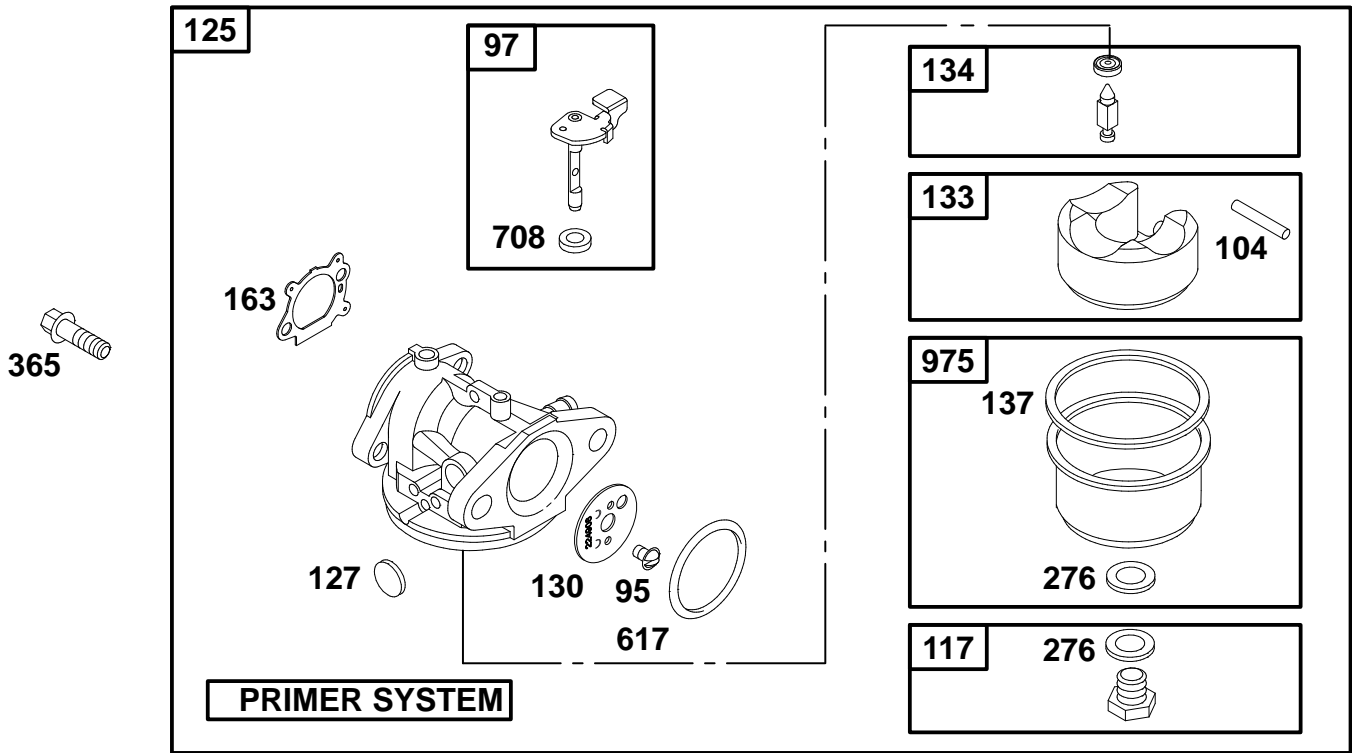
ENGINE BRIGGS & STRATTON MODEL 12H802-1767-E1

Ref. No.	Part No.	Description	No. Used
4	493279	Engine Sump	1
★12	272198	Crankcase Gasket	1
15	94880	Oil Drain Plug	1
16	694079	Crankshaft	1
★20	399781	Oil Seal	1
22	94220	Screw (Engine Sump)	1
	94612	Screw (Used in Hole Nearest Breather)	1
24	222698	Key-Flywheel	1
25	499429	Piston Assembly (Standard)	1
	499430	Piston Assembly (.010" O.S.)	1
	499431	Piston Assembly (.020" O.S.)	1
	499432	Piston Assembly (.030" O.S.)	1
26	499425	Ring Set (Standard)	1
	499426	Ring Set (.010" O.S.)	1

Ref. No.	Part No.	Description	No. Used
	499427	Ring Set (.020" O.S.)	1
	499428	Ring Set (.030" O.S.)	1
27	263190	Piston Pin Lock	1
28	499423	Piston Pin (Standard)	1
	298908	Piston Pin (.005" O.S.)	1
29	499424	Connecting Rod (Standard)	1
	32	94699 Screw (Connecting Rod)	1
	33	262651 Exhaust Valve	1
	34	262652 Intake Valve	1
	35	262224 Valve Spring	1
	40	93312 Retainer-Valve	1
	43	493737 Governor/Oil Slinger	1
	45	262204 Valve Tappet	1
	46	498275 Camshaft	1
146	94388	Key-Timing	1
741	262598	Gear-Timing	1

★ Included in Gasket Set-See Ref. 358.
● Included in Carburetor Kit-See Ref. 121.

◆ Included in Carburetor Gasket Set-See Ref. 977.
† Included in Valve Overhaul Gasket Set-See Ref. 1095.



Assemblies include all parts shown in frames.

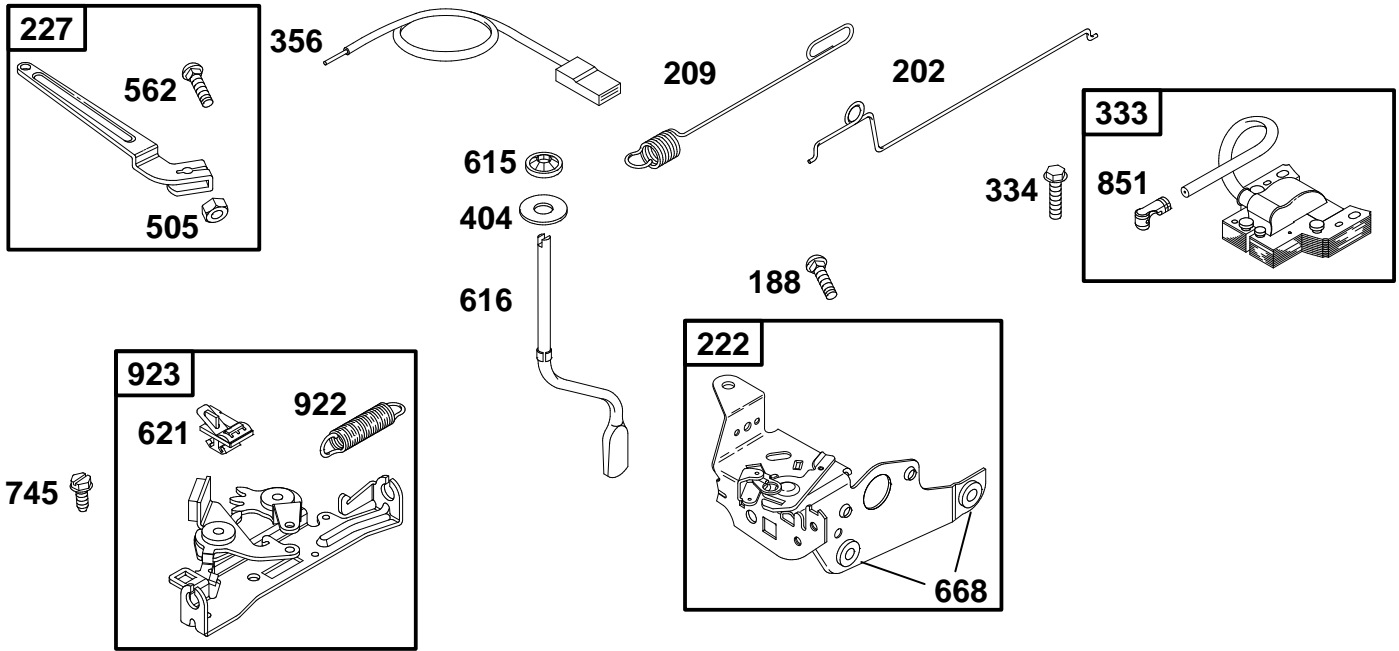
ENGINE BRIGGS & STRATTON MODEL 12H802-1767-E1

Ref. No.	Part No.	Description	No. Used
95	94098	Screw (Throttle Valve)	1
97	493267	Shaft-Throttle	1
●104	691242	Pin-Float Hinge	1
117	494870	Main Jet (Standard)	
	497315	Main Jet (High Altitude)	1
125	498170	Carburetor	1
●127		Plug-Welch (Sold in Kit Only)	1

Ref. No.	Part No.	Description	No. Used
130	691203	Valve-Throttle	1
133	398187	Float-Carburetor	1
●134	398188	Needle/Seat Kit	1
●◆137	693981	Gasket-Float Bowl	1
★◆163	272653	Gasket-Air Cleaner	1
●◆276	271716	Sealing Washer	1
365	94525	Screw (Carburetor)	1
●◆617	270344	O-Ring Seal	1
●◆708	691321	Seal-Dust	1
975	493640	Bowl-Float	1

★ Included in Gasket Set-See Ref. 358.
● Included in Carburetor Kit-See Ref. 121.

◆ Included in Carburetor Gasket Set-See Ref. 977.
† Included in Valve Overhaul Gasket Set-See Ref. 1095.



Assemblies include all parts shown in frames.

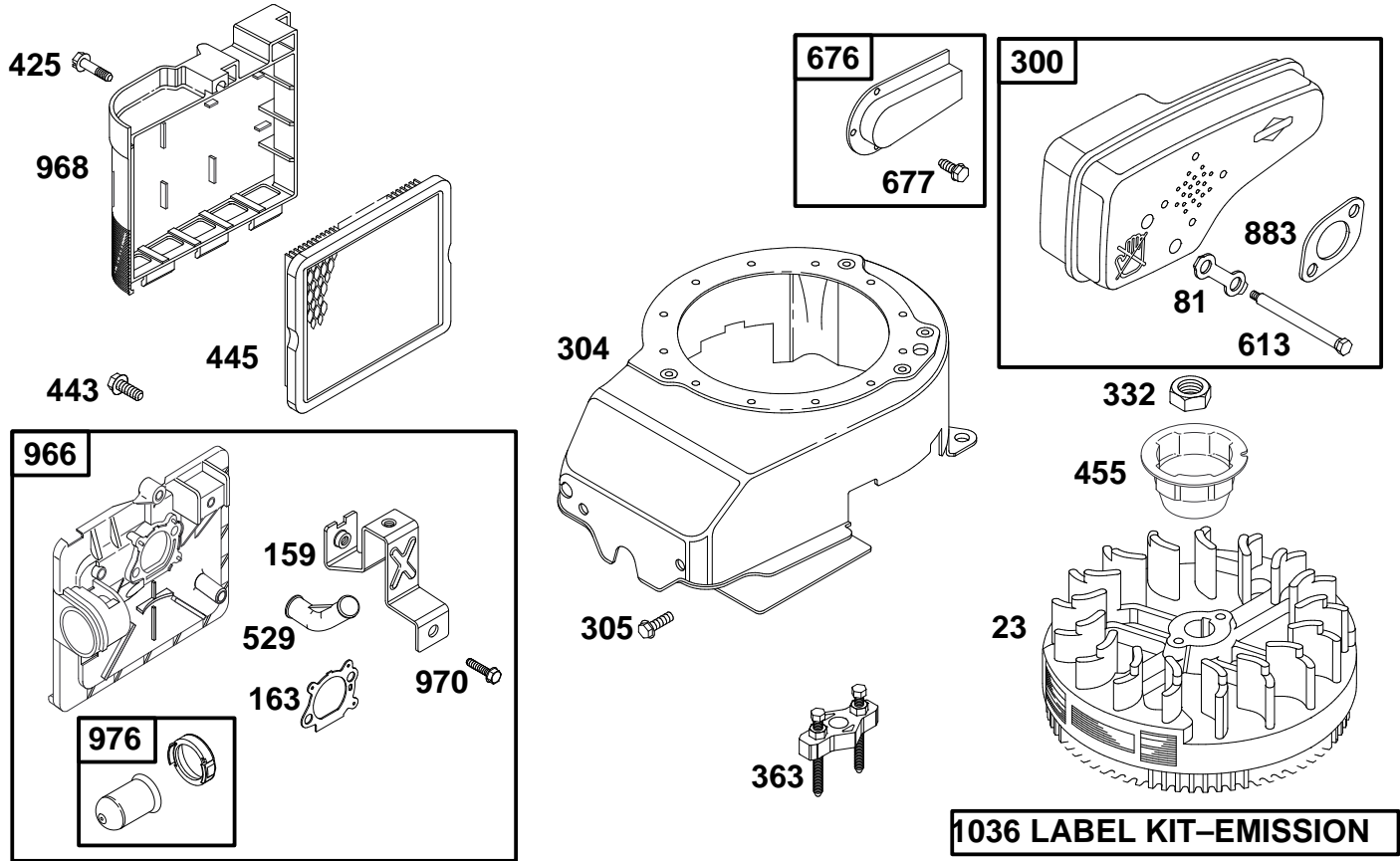
ENGINE BRIGGS & STRATTON MODEL 12H802-1767-E1

Ref. No.	Part No.	Description	No. Used
188	94644	Screw (Control Bracket)	1
202	262579	Link-Mechanical Governor	1
209	691292	Spring-Governor	1
222	499835	Bracket-Control	1
227	492349	Governor Control Lever	1
333	802574	Armature-Magneto	1
334	94731	Screw (Armature-Magneto)	1
356	497833	Wire-Stop	1
404	67072	Washer (Governor Crank)	1
505	231082	Nut (Governor Control Lever)	1

Ref. No.	Part No.	Description	No. Used
562	92613	Bolt (Governor Control Lever)	1
615	94474	Retainer-Governor Shaft	1
616	691306	Crank-Governor	1
621	396847	Switch-Stop	1
★668	493823	Spacer (Includes 2)	1
745	94512	Screw(Brake)	1
851	493880	Terminal-Cable	1
922	262640	Spring-Brake	1
923	493442	Brake	1

★ Included in Gasket Set-See Ref. 358.
● Included in Carburetor Kit-See Ref. 121.

◆ Included in Carburetor Gasket Set-See Ref. 977.
† Included in Valve Overhaul Gasket Set-See Ref. 1095.



Assemblies include all parts shown in frames.

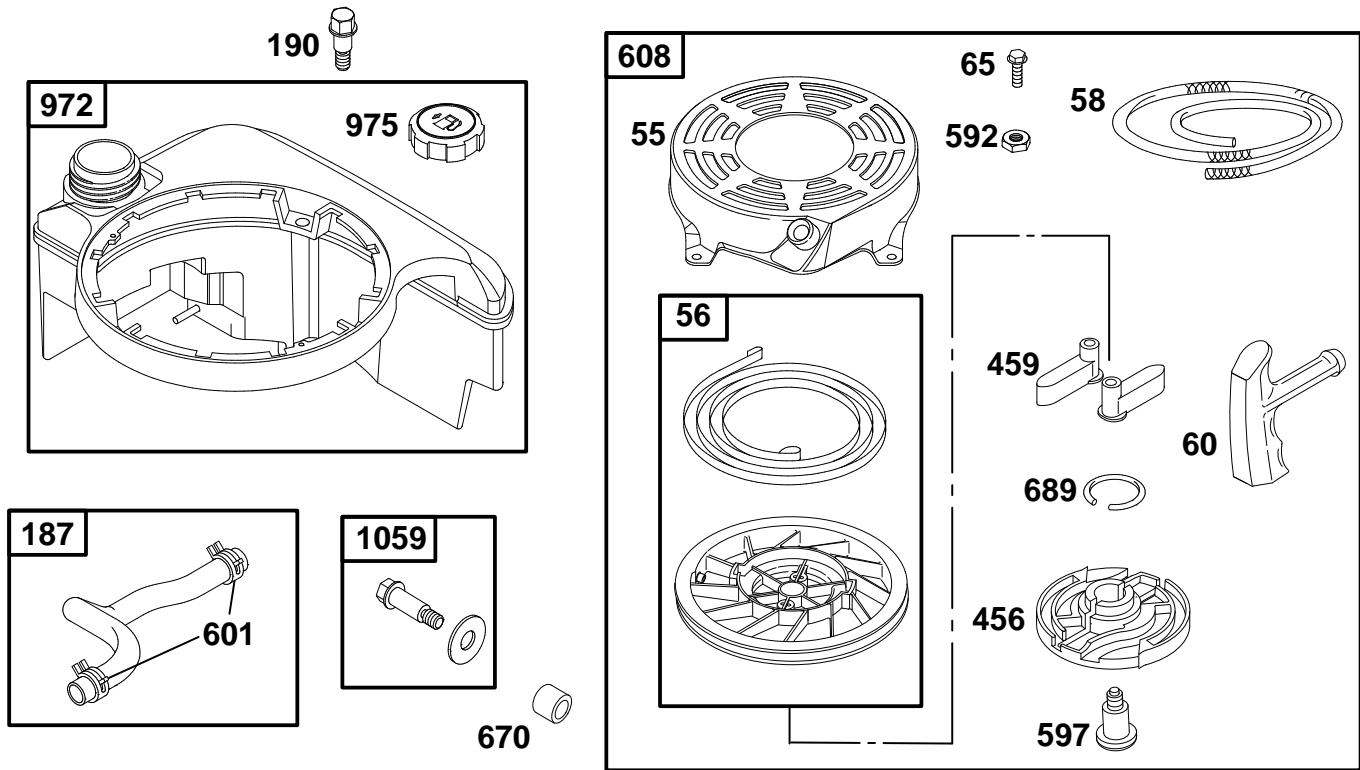
ENGINE BRIGGS & STRATTON MODEL 12H802-1767-E1

Ref. No.	Part No.	Description	No. Used
23	693821	Flywheel	1
81	223664	Muffler Screw Lock	1
159	224815	Air Cleaner Primer Bracket	1
★◆163	272653	Gasket-Air Cleaner	1
300	497838	Muffler-Exhaust	1
304	493293	Housing-Blower	1
305	94744	Screw(Blower Housing)	1
332	92284	Nut(Flywheel)	1
363	19069	Flywheel-Puller	1
425	94872	Screw(Air Cleaner Cover)	1
443	94873	Screw(Air Cleaner Base)	1
445	491588	Filter-A/C Cartridge	1

Ref. No.	Part No.	Description	No. Used
455	691219	Cup-Flywheel	1
529	281299	Grommet	1
613	94231	Screw(Exhaust Muffler)	1
676	493871	Deflector-Muffler	1
677	94896	Screw(Deflector)	1
★†883	272253	Gasket-Exhaust	1
966	496116	Base-A/C Primer	1
968	281340	Cover-Air Cleaner	1
970	94749	Screw(A/C Primer Bracket)	1
976	496115	Primer-Carburetor	1
1036	499341	Label Kit-Emission	1

★ Included in Gasket Set-See Ref. 358.
 ● Included in Carburetor Kit-See Ref. 121.

◆ Included in Carburetor Gasket Set-See Ref. 977.
 † Included in Valve Overhaul Gasket Set-See Ref. 1095.



Assemblies include all parts shown in frames.

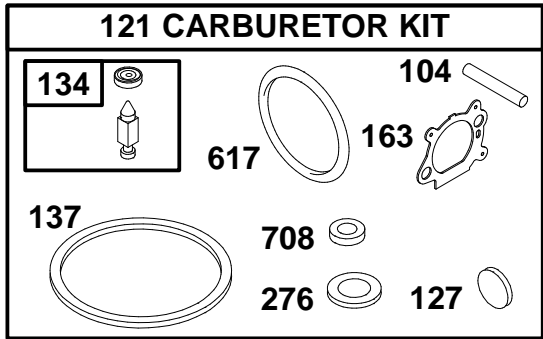
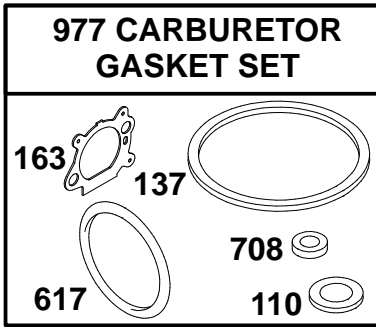
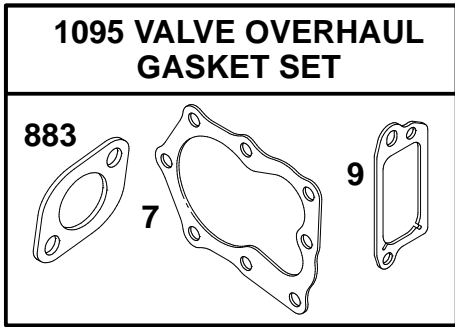
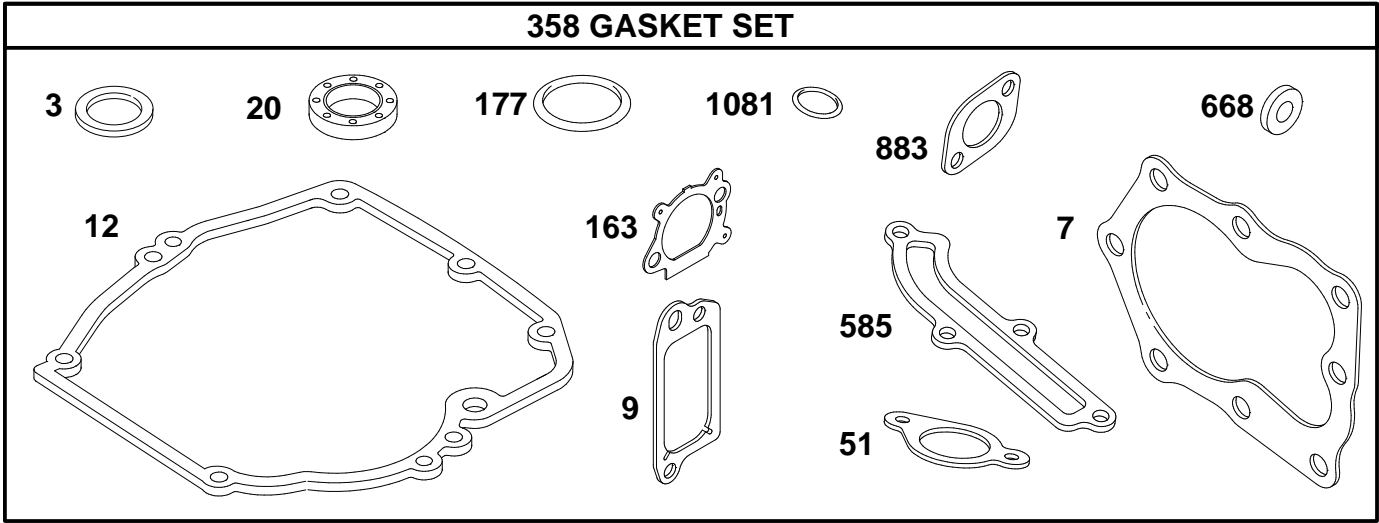
ENGINE BRIGGS & STRATTON MODEL 12H802-1767-E1

Ref. No.	Part No.	Description	No. Used
55	497440	Rewind Starter Housing	1
56	498144	Assy-Pulley/Spring	1
58	280399	Starter Rope	1
60	281434	Starter Rope Grip	1
65	94686	Screw	1
		(Rewind Starter)	1
187	492792	Line-Fuel	1
190	94511	Screw-Shoulder	1
456	281503	Plate-Pawl Friction	1
459	281505	Pawl-Ratchet	1
592	92987	Nut	1
		(Rewind Starter)	1

Ref. No.	Part No.	Description	No. Used
597	94943	Screw	1
		(Pawl Friction Plate)	1
601	95162	Clamp-Fuel Line	1
608	497680	Starter-Rewind	1
670	280512	Spacer-Fuel Tank	1
689	263073	Spring-Friction	1
972	495224	Tank-Fuel	1
975	397974	Cap-Fuel Tank	1
1059	398540	Screw/Washer Kit	1

★ Included in Gasket Set-See Ref. 358.
 ● Included in Carburetor Kit-See Ref. 121.

◆ Included in Carburetor Gasket Set-See Ref. 977.
 † Included in Valve Overhaul Gasket Set-See Ref. 1095.



Assemblies include all parts shown in frames.

ENGINE BRIGGS & STRATTON MODEL 12H802-1767-E1

Ref. No.	Part No.	Description	No. Used
3	*299819	Oil Seal	1
★†7	272916	Cylinder Head Gasket	1
★†9	272481	Breather Gasket	1
★12	272198	Crankcase Gasket	1
★20	399781	Oil Seal	1
★51	272199	Intake Gasket	1
●104	231371	Pin-Float Hinge	1
●◆276	271716	Sealing Washer	1
★177	280393	O-Ring Seal	1
121	498260	Carburetor Kit	1
●127		Plug-Welch(Sold in Kit Only)	1
●134	398188	Needle/Seat Kit	1

Ref. No.	Part No.	Description	No. Used
●◆137	693981	Gasket-Bowl	1
★●◆163	272653	Gasket-Air Cleaner	1
358	497316	Gasket Set	1
★585	272238	Breather Passage Gasket	1
●◆617	270344	O-Ring Seal	1
●◆708	691321	Seal-Dust	1
★668	493823	Spacer(Includes 2)	1
★†883	272253	Gasket-Exhaust	1
977	498261	Gasket Set-Carburetor	1
★1081	280966	O-Ring Seal	1
1095	498528	Gasket Set-Valve Overhaul	1

★ Included in Gasket Set-See Ref. 358.
● Included in Carburetor Kit-See Ref. 121.

◆ Included in Carburetor Gasket Set-See Ref. 977.
† Included in Valve Overhaul Gasket Set-See Ref. 1095.

Toro Part Number Index

Part No.	Page No.	Ref. No.	Qty.	Description
614650	1	26	4	Bolt-Shoulder
614672	1	27	4	Bolt-Shoulder
614687	1	24	2	Arm-Front Spring
27-6250	1	19:1	2	Bushing (614409 Lb#)
40-1940	1	28	4	Washer-Wheel Bolt
43-8480	2	32	1	Decal-Danger
82-8550-03	2	8	1	Shield-Muffler
86-9671	3	2	1	Guide-Rope
92-1005	1	18	2	Spring Arm ASM - Rear
92-1008	1	23	4	Knob-Height Adj Lever
92-2260	3	14	2	Screw-Handle
92-2914	1	16	1	Decal - HOC R
92-2915	1	15	1	Decal - HOC L
92-4881-03	1	35	2	Plate - Hght Adj
92-4890	1	30	4	Washer - Wheel
92-8647	1	21	1	Shield - Trailing
92-9591	1	25	2	Assembly - 7" Wheel
92-9592	1	19	2	Assembly - 8" Wheel
93-0216	1	34	1	Kicker - Front
93-0217	2	12	1	Kicker - Rear
93-0219-03	2	18	1	Accelerator
93-0222-03	1	33	1	Baffle - Front
93-0223-03	2	11	1	Baffle - Rear (Black)
93-0230-01	1	36	1	Cover - Recycling
93-0231	1	32	1	Screw - PPH
93-0231	2	10	1	Screw - PPH
93-0235	1	17	1	ASM - LH Handle Bracket
93-0236	1	5	1	ASM - RH Handle Bracket
93-0241	2	19	1	Blade - Steel Deck (Raw)
93-0242	1	37	4	Grommet
93-0243	2	3	1	Shroud-Quantum Wedge
93-0248	1	6	1	Decal - Warning
94-6097	3	5	1	Stop
95-1726	2	13	3	Screw-Taptite w/Patch
95-1748	2	16	1	Screw-Blade
95-4453	3	13	1	Screw - Handle
95-7403-03	1	29	4	Brkt-Whl Ht Adj
98-3206	2	2	1	Nameplate - Toro
98-7134	3	15	2	Knob-Handle
98-8332	2	34	1	Knob
99-1569-05	3	4	1	Handle-Upper
99-1570-03	3	6	1	Bail-Brake
99-5229	3	10	1	Cable-Brake
99-5287	2	20	1	ASM-Blade Driver
99-5291	2	26	1	Rod-Cover (Steel Side Discharge)
99-5292	2	27	1	Bracket-Cover (Steel Side Discharge)
99-5293	2	28	1	Spring-Torsion (Steel Side Discharge)
99-5294	2	29	1	Cover-Side (Steel Side Discharge)
99-5295	2	30	1	Chute-Side (Side Discharge)
99-6011	2	25	1	Decal - Deck
99-6013	2	4	1	Decal - Recoil
99-6018	1	4	1	Decal - Warning
99-6021-05	3	17	1	Lower Handle
99-6349	2	35	1	Baffle
100-1181	2	36	1	Housing (Service)
100-1589-03	2	33	1	Clamp-Door
2210-316	2	5	1	Stop-Rope F/W Engine
322-3	1	20	4	Screw-HH
3229-11	2	31	2	Screw-CARR
3253-22	2	17	1	Washer-Lock/Sp
3256-1	3	11	1	Washer-Flat
3296-2	1	3	1	Nut-Lock Esna

*Not Illustrated

Toro Part Number Index (cont.)

Part No.	Page No.	Ref. No.	Qty.	Description
3296-29	1	22	4	Nut-Lock Ni
3296-39	1	31	4	Nut-Lock Ni
3296-42	2	23	2	Nut-Lock Ni
3296-73	3	1	2	Nut-Lock
32105-27	1	2	1	Screw
32144-4	1	1	3	Screw-HH
32144-73	2	9	3	Screw
32144-121	2	6	2	Screw-Pan Hd

MAINTENANCE RECORD

Date									