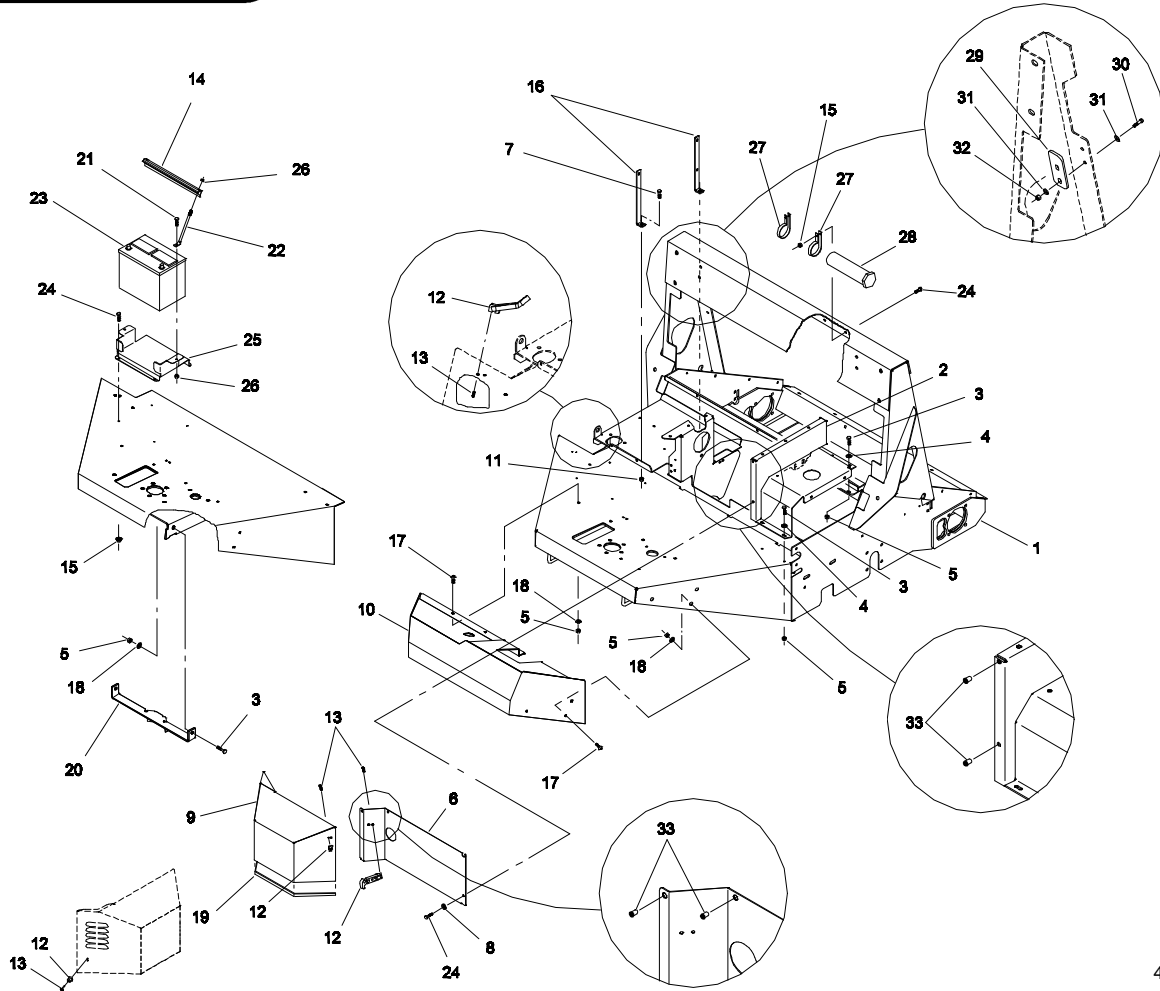




MODEL NO. 44044 - 80500 & UP

**PARTS
CATALOG**

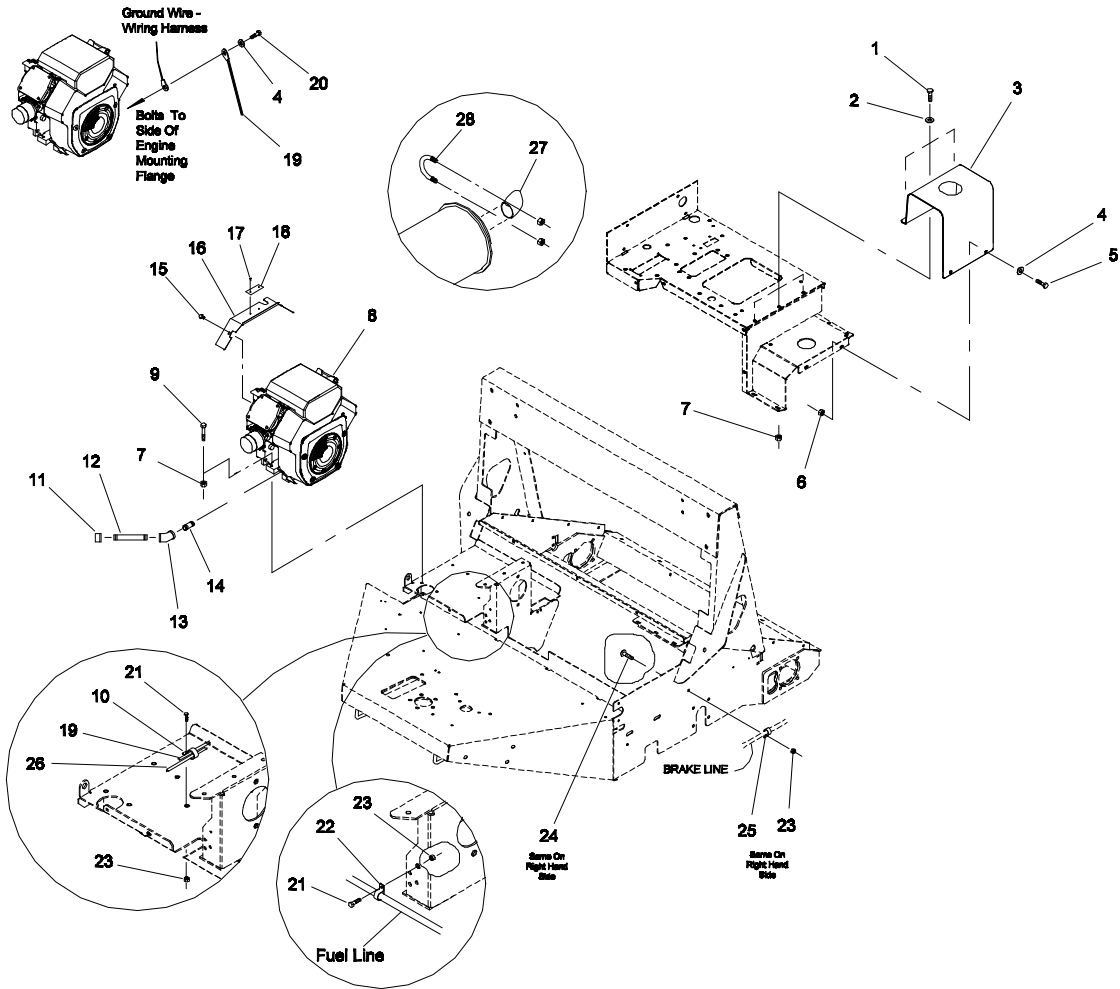
TURF SWEEPER 4800



44044-22

MAIN FRAME ASSEMBLY

Ref. No.	Part No.	Description	No. Used	Ref. No.	Part No.	Description	No. Used
1	95-4923	Main Frame WA	1	18	3256-3	Washer - Flat	12
2	95-0395	Access Cover Mount WA	1	19	95-4833	Edging - Rubber	1
3	322-5	Capscrew - Hex Hd.	7	20	95-4761	Stop - Steering	1
4	3256-23	Washer - SAE	5	21	322-3	Capscrew - Hex Hd.	2
5	32128-20	Nut - Flange Lock	17	22	24-6390	Battery Hold Down Stud	2
6	95-0165	Plate-Seat Front	1	23	55-7290	Battery - Dry	1
7	323-6	Capscrew - Hex Hd.	2	24	321-4	Capscrew - Hex Hd.	7
8	3256-22	Washer - SAE	3	25	95-0172	Mount - Battery	1
9	95-4855	Guard - Hydrostat	1	26	3296-29	Nut - Lock	4
10	95-4717	Floor Board Riser WA	1	27	2412-133	R-Clamp	2
11	32128-43	Nut - Flange Lock	2	28	74-0720	Manual Tube	1
12	95-4879	Latch - Draw, Flexible	2	29	95-4784	Plate - Stop, Linkage	1
13	32105-8	Machine Screw - Hex Hd.	6	30	323-7	Capscrew - Hex Hd.	2
14	24-6420	Battery Hold Down	1	31	3256-4	Washer - Flat	4
15	32128-33	Nut - Flange Lock	6	32	3296-39	Nut - Lock	2
16	95-4709	Bar - Support, Access Cover	2	33	32148-6	Insert - Threaded	4
17	3230-2	Bolt - Carriage	10				

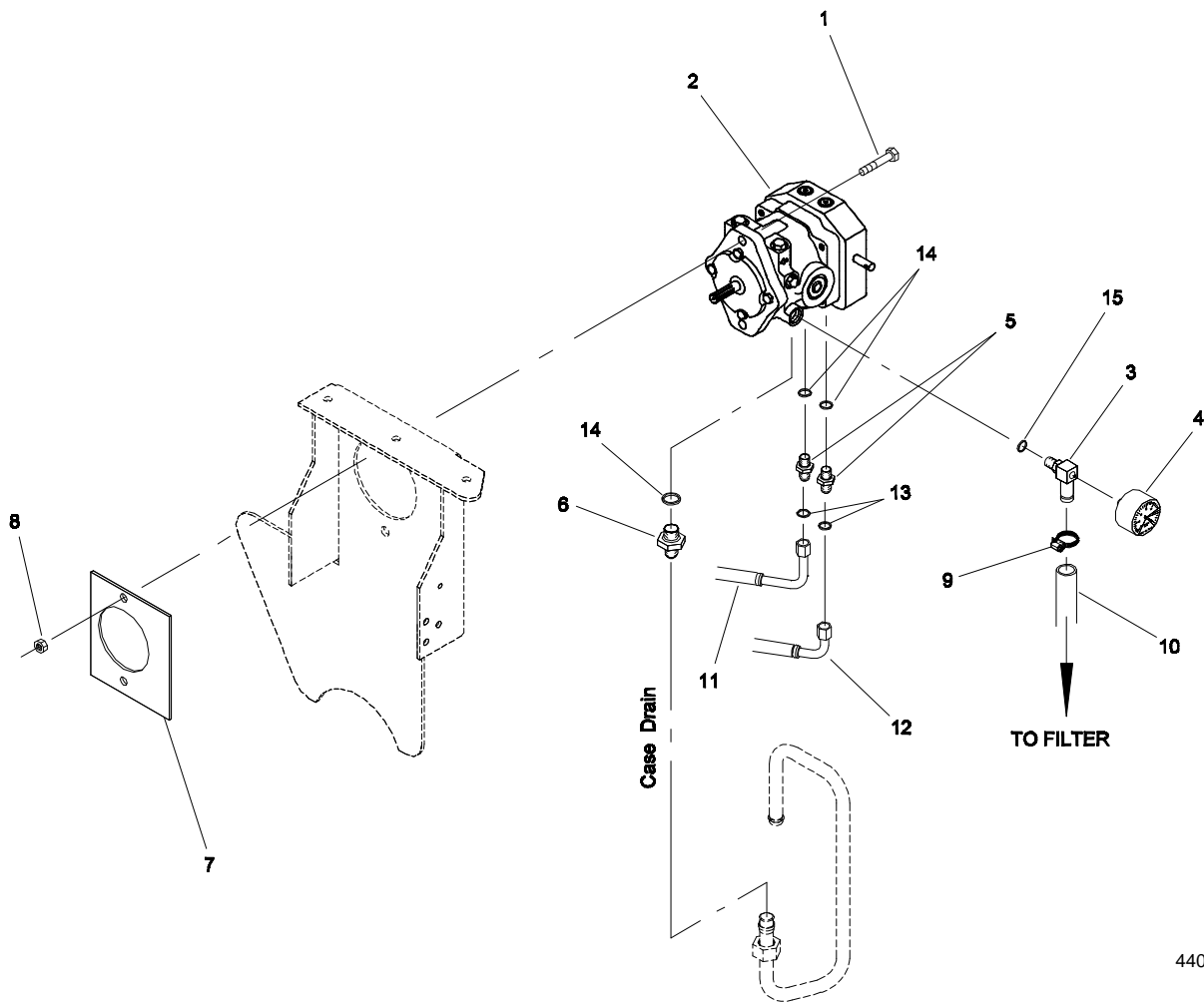


44044-23

ENGINE MOUNTING

Ref. No.	Part No.	Description	No. Used
1	323-6	Capscrew - Hex Hd.	3
2	3256-24	Washer - SAE	3
3	95-4850	Cover - Tank, Gas	1
4	3256-23	Washer - SAE	3
5	322-5	Capscrew - Hex Hd.	2
6	3296-29	Nut - Lock	2
7	3296-39	Nut - Lock	7
8	95-4907	Engine Assy - Kohler, 18hp	1
9	323-9	Capscrew - Hex Hd.	4
10	2412-105	Clamp - Double Tube	1
11	288-10	Pipe Cap	1
12	289-48	Pipe	1
13	95-4824	Fitting, 45°	1
14	01-456-0050	Stub	1

Ref. No.	Part No.	Description	No. Used
15	33103-012	Screw - Flange, Hex Hd.	2
16	95-4856	Guard - Heat (Incl. #17,18)	1
17	3269-32	Rivet - Pop	2
18	80-9350	Plate - Hot Surface	1
19	95-4828	Cable - Neg.	1
20	33104-020	Screw - Flange, Hex Hd.	1
21	321-4	Capscrew - Hex Hd.	2
22	2412-73	R-Clamp	1
23	3296-42	Nut - Lock	3
24	3229-1	Bolt - Carriage	2
25	2412-89	R-Clamp	2
26	95-4827	Cable - Pos.	1
27	95-4797	Exhaust - Outlet, 90°	1
28	2112-11	Clamp - Muffler	1

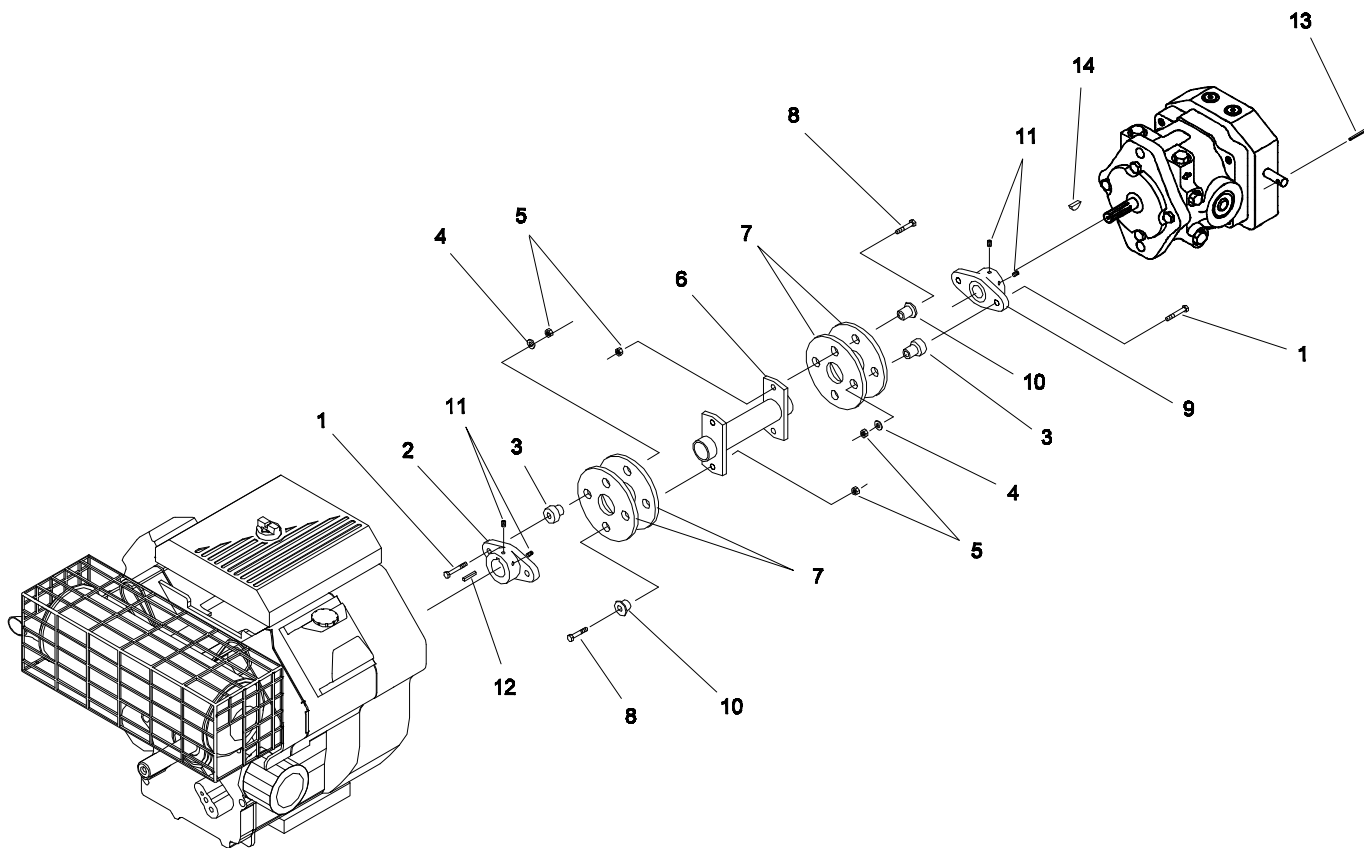


44044-24

PUMP ASSEMBLY

Ref. No.	Part No.	Description	No. Used
1	3274-5	Screw - Hex Socket Hd.	2
2	95-0156	Pump - Variable, Sundstrand	1
3	95-4778	Fitting - Hydraulic, Barb (Incl. #15)	1
4	95-0334	Gauge - Vacuum	1
5	01-201-3380	Fitting - Flat Face O-ring (Incl. #13,14)	2
6	01-201-4680	Fitting - Hydraulic (Incl. #14)	1
7	92-4679	Plate - Hydrostat, Reinf.	1

Ref. No.	Part No.	Description	No. Used
8	3296-23	Nut - Lock	2
9	2412-34	Clamp - Hose	1
10	95-4775	Hose - Hydraulic	1
11	95-4754	Hose - Hydraulic	1
12	95-4755	Hose - Hydraulic	1
13	237-30	O-Ring	2
14	237-79	O-Ring	3
15	237-80	O-Ring	1

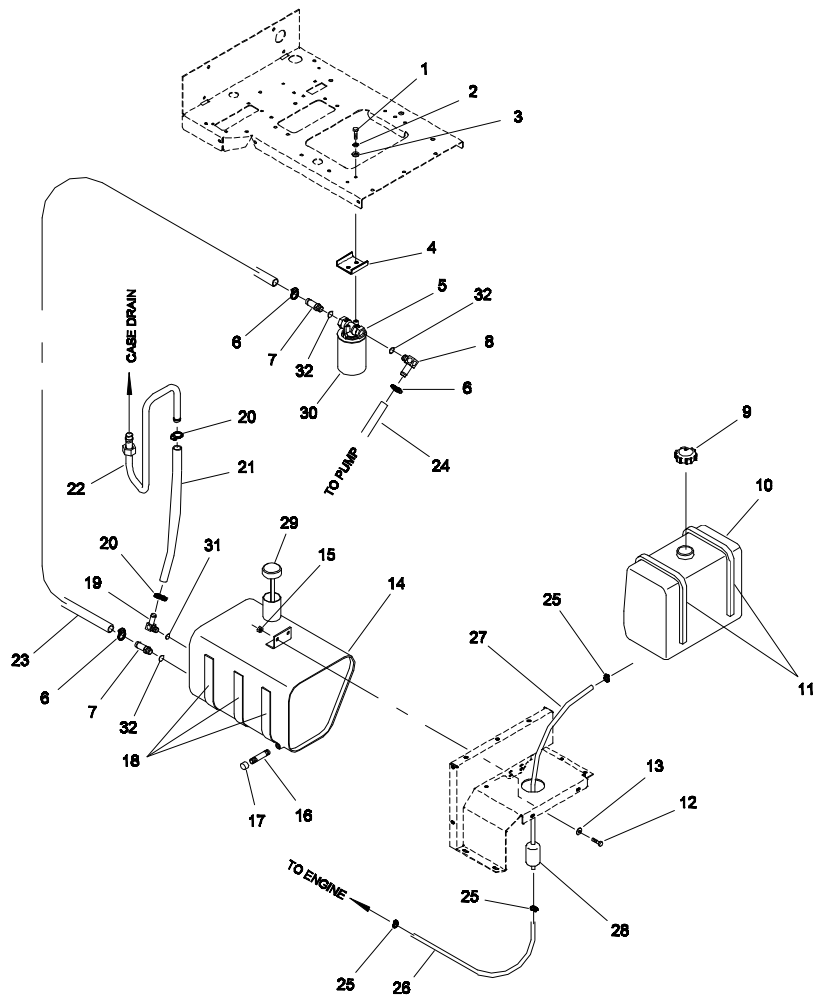


44044-25

DRIVE SHAFT - PUMP

Ref. No.	Part No.	Description	No. Used
1	322-10	Capscrew - Hex Hd.	4
2	27-1960	Hub - Engine	1
3	71-4410	Spacer, thick	4
4	3256-23	Washer - SAE	4
5	3296-29	Nut - Lock	8
6	71-4400	Driveshaft WA	1
7	44-2230	Coupling - Rubber	4

Ref. No.	Part No.	Description	No. Used
8	322-7	Capscrew - Hex Hd.	4
9	33-4380	Hub - Pump	1
10	71-4411	Spacer, thin	4
11	3241-5	Setscrew	4
12	5-4916	Key	1
13	32121-6	Pin - Roll	1
14	3257-32	Key - Woodruff	1



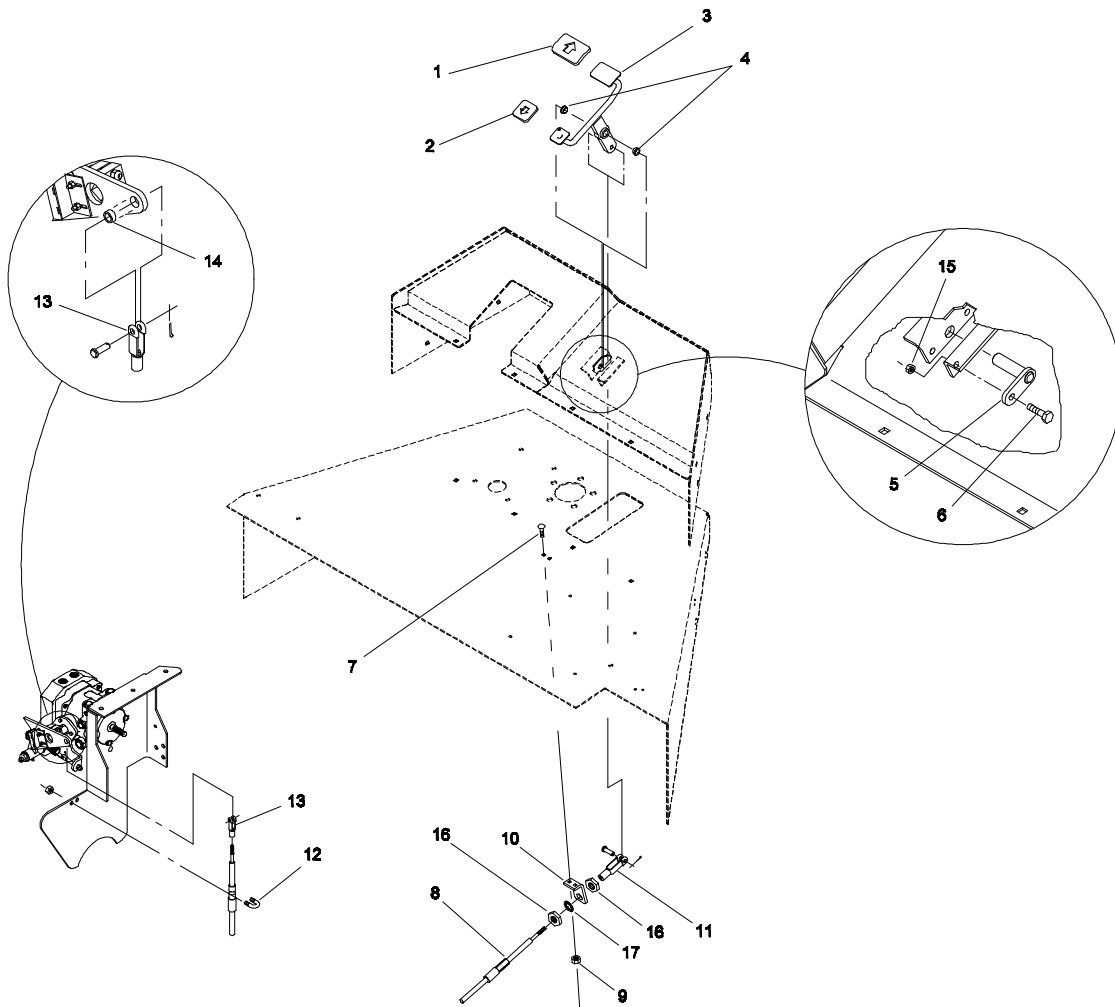
44044-26

HYDRAULIC RESERVOIR & FUEL TANK

Ref. No.	Part No.	Description	No. Used
1	321-9	Capscrew - Hex Hd.	2
2	3253-3	Washer - Lock	2
3	3256-2	Washer - Flat	2
4	95-0267	Mount - Oil Filter	1
5	95-0281	Filter Head	1
6	2412-34	Clamp - Hose	3
7	354-73	Fitting - Hydraulic, Barb (Incl. #32)	2
8	01-201-1080	Fitting - Hydraulic, Barb (Incl. #32)	1
9	95-4766	Fuel Cap Ass'y	1
10	62-4040	Fuel Tank	1
11	95-4789	Sponge - Neoprene	2
12	323-6	Capscrew - Hex Hd.	2
13	3256-24	Washer - SAE	2
14	95-0013	Tank - Hydraulic (Incl. #29)	1
15	3296-39	Nut - Lock	2
16	289-51	Nipple - Pipe	1
17	288-10	Pipe Cap	1

Ref. No.	Part No.	Description	No. Used
18	18-204-1781	Isolator - Rubber	3
19	95-4779	Fitting - Hydraulic (Incl. #31)	1
20	2412-129	Clamp - Hose	2
21	95-4777	Hose - Hydraulic	1
22	95-4774	Tube - Drain, Case	1
23	95-4776	Hose - Hydraulic	1
24	95-4775	Hose - Hydraulic	1
25	2412-108	Clamp - Hose	3
26	95-4801	Hose - Fuel	1
27	95-4860	Hose - Fuel	1
28	(Kohler Part # 24-050-02)	Filter - Fuel	1
29	95-4859	Cap - Hydraulic	1
30	23-9740	Cartridge - Oil Filter	1
31	237-80	O-Ring	1
32	237-81	O-Ring	3
*	95-4818	Filter Head Asm (Incl. #5,30)	1

* Not Illustrated

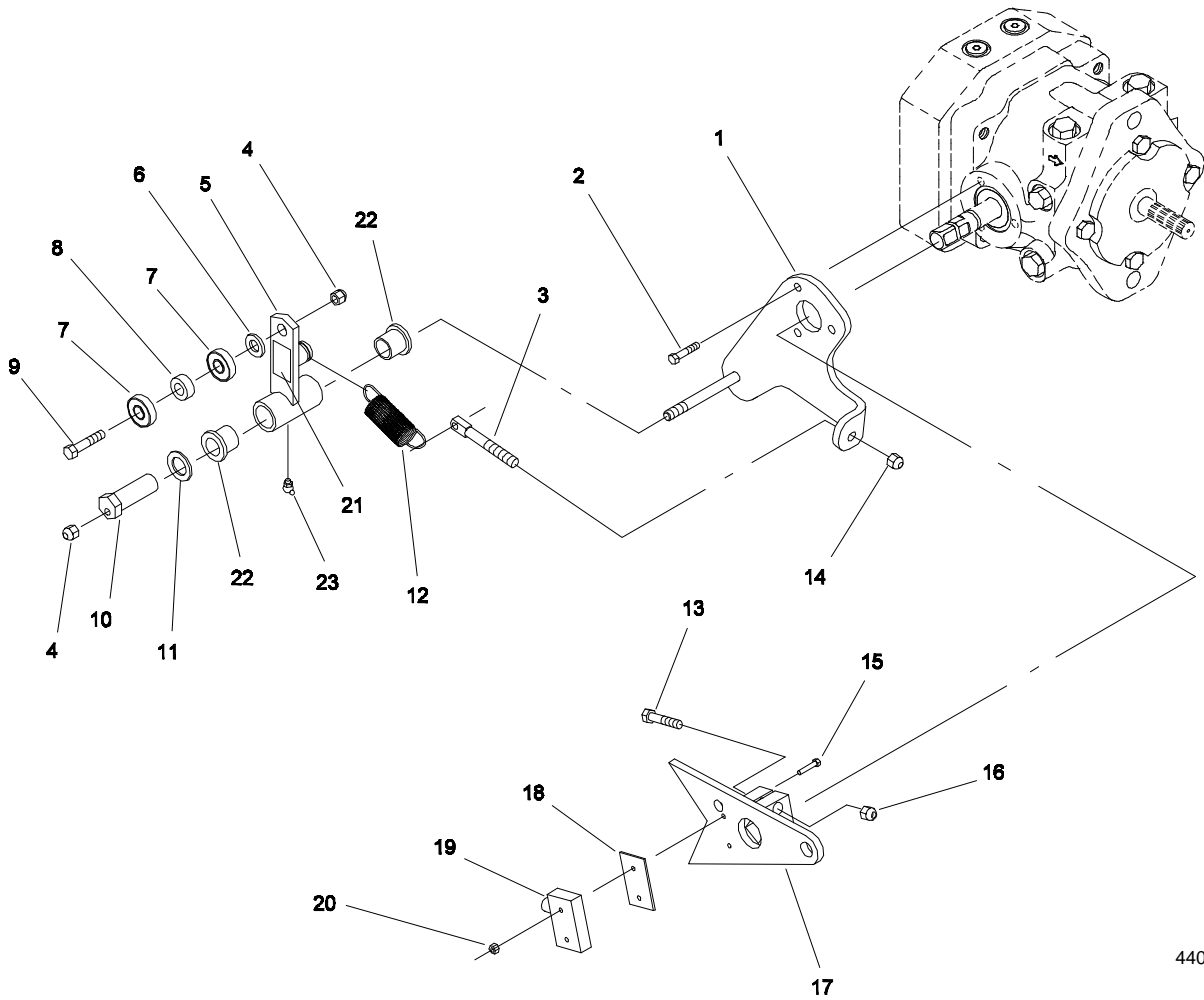


44044-27

TRACTION CONTROL

Ref. No.	Part No.	Description	No. Used
1	74-9100	Pad - Forward	1
2	74-9110	Pad - Reverse	1
3	95-4708	Traction Pedal WA	1
4	256-156	Bushing - Flange	2
5	95-4808	Traction Pin WA	1
6	321-4	Capscrew - Hex Hd.	1
7	3229-2	Bolt - Carriage	2
8	92-4699	Cable - Traction (Incl. # 16,17)	1
9	3296-43	Nut - Lock	2

Ref. No.	Part No.	Description	No. Used
10	92-4676	Mount - Cable	1
11	95-4727	Clevis - Pedal, Traction	1
12	95-4731	U-Bolt	1
13	95-4728	Clevis	1
14	95-4721	Bushing - Straight	1
15	3296-42	Nut - Lock	1
16	95-4874	Nut - Jam	2
17	95-4873	Washer - Lock	1

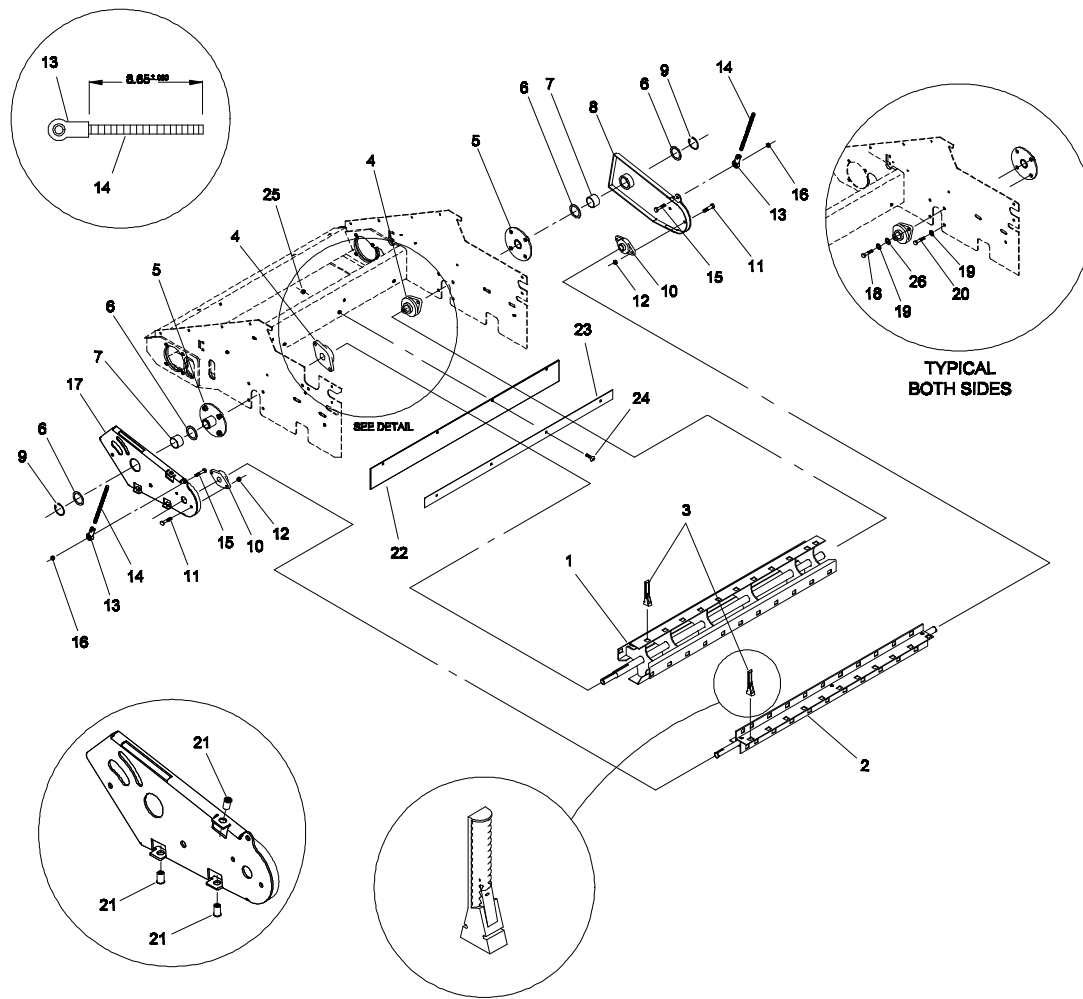


44044-28

NEUTRAL RETURN ASSEMBLY

Ref. No.	Part No.	Description	No. Used
1	95-0347	Neutral Plate WA	1
2	49-2040	Screw - Flange Hex Hd.	3
3	18-6380	Pin - Adjusting	1
4	3296-29	Nut - Lock	2
5	85-8460	Switch Arm Assembly (Incl. #22,23)	1
	85-8461	Switch Arm WA (w/o #22,23)	1
6	75-5470	Spacer	1
7	251-259	Bearing	2
8	85-9120	Spacer	1
9	322-8	Capscrew - Hex Hd.	1
10	76-8640	Stud - Traction	1
11	3-6498	Washer - Thrust	1

Ref. No.	Part No.	Description	No. Used
12	85-9030	Spring - Extension	1
13	323-10	Capscrew - Hex Hd.	1
14	3296-4	Nut - Lock	1
15	32105-21	Screw - Machine	2
16	3296-39	Nut - Lock	1
17	85-8300	Lever - Pump	1
18	85-9150	Plate - Switch	1
19	29-6163	Switch - Neutral	1
20	3296-9	Nut - Lock	2
21	85-8860	Decal - Eccentric Bolt	1
22	256-113	Bushing - Flange	2
23	302-60	Fitting - Grease	1

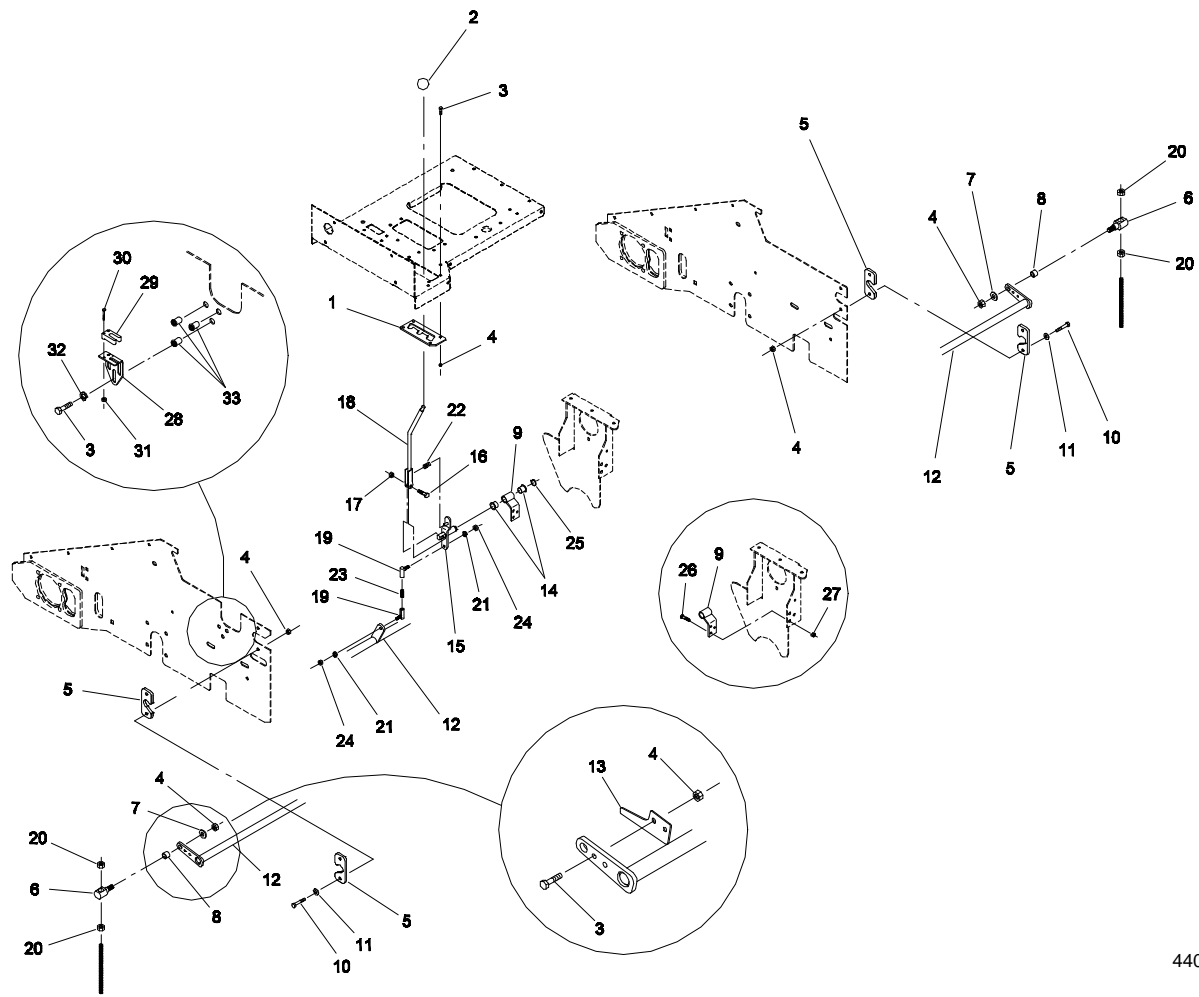


44044-29

REEL ASSEMBLY

Ref. No.	Part No.	Description	No. Used
1	95-4936	Rear Reel WA	1
2	95-4934	Front Reel WA	1
3	01-279-0010	Rubber Fingers	88
4	98-8873	Bearing - Flange	2
5	95-4913	Reel Spindle, Welded	2
6	01-168-2810	Bushing - Machinery	4
7	98-8856	Bushing - Oilight	2
8	98-8883	LH Reel Plate	1
9	98-8858	Retaining Ring	2
10	98-8872	Bearing - Flange	2
11	323-8	Capscrew - Hex Hd.	4
12	3296-39	Nut - Lock	4
13	2411-44	Rod End	2

Ref. No.	Part No.	Description	No. Used
14	95-4822	All Thread	2
15	325-7	Capscrew - Hex Hd.	2
16	3296-23	Nut - Lock	2
17	98-8882	RH Reel Plate (Incl. #21)	1
18	324-7	Capscrew - Hex Hd.	4
19	3253-6	Washer - Lock	8
20	324-4	Capscrew - Hex Hd.	4
21	32148-9	Nut - Clinch	3
22	98-8878	Deflector - Rubber	1
23	98-8879	Plate - Backing	1
24	3230-2	Bolt - Carriage	4
25	3296-29	Nut - Lock	4
26	3256-25	Washer - SAE	4

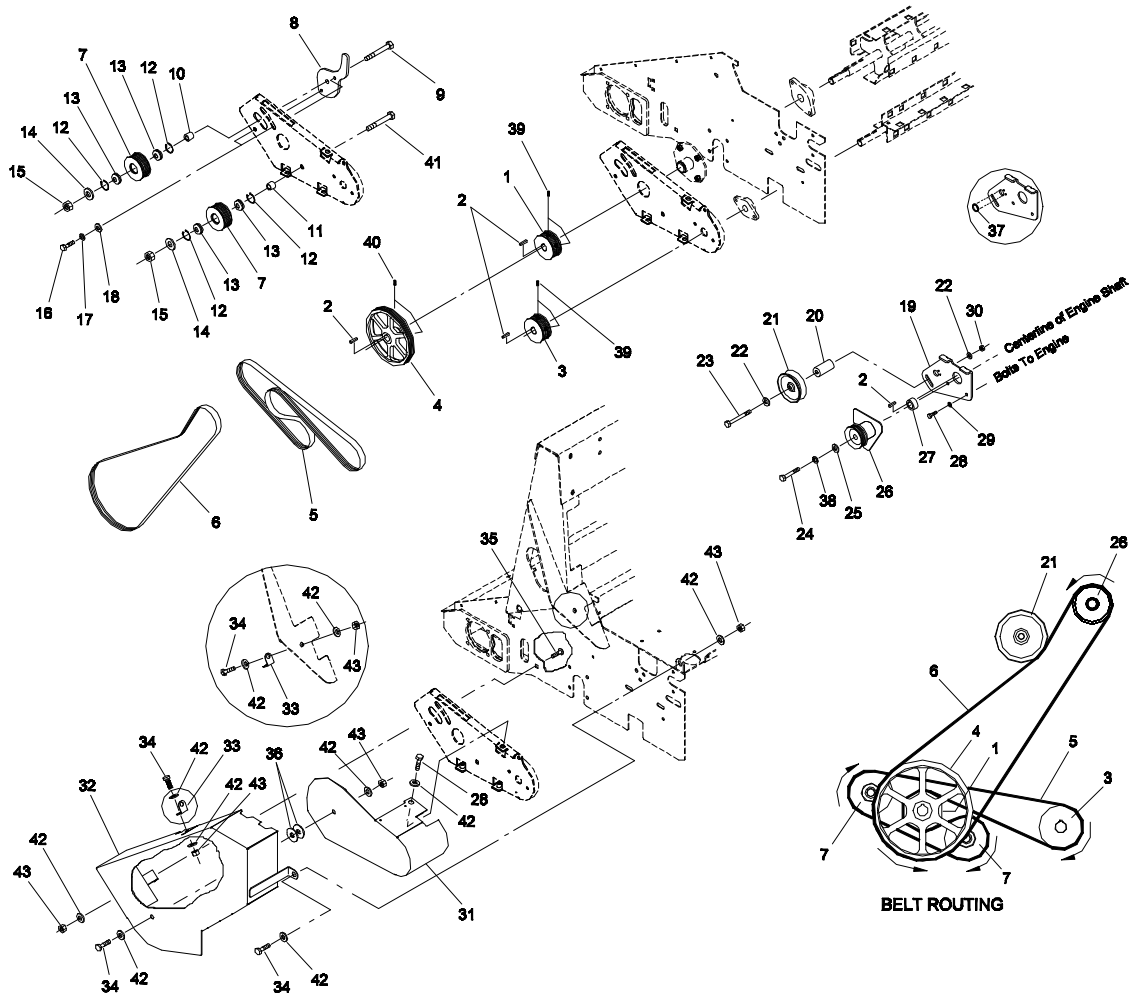


44044-30

REEL LIFT

Ref. No.	Part No.	Description	No. Used
1	98-8864	Reel Gate Ass'y	1
2	233-48	Knob	1
3	323-6	Capscrew - Hex Hd.	9
4	3296-39	Nut - Lock	12
5	95-0272	Bushing - UHMW	4
6	92-2344	Trunnion	2
7	3256-4	Washer - Flat	2
8	95-4782	Bushing	2
9	95-4888	Bracket - Reel Lift	1
10	323-8	Capscrew - Hex Hd.	4
11	3256-24	Washer - SAE	4
12	95-0179	Reel Lift Rod WA	1
13	98-8865	Plate - Switch	1
14	256-10	Bushing - Flange	2
15	95-4891	Pivot - Lift, Lever	1
16	325-5	Capscrew - Hex Hd.	1
17	3296-45	Nut - Lock	1

Ref. No.	Part No.	Description	No. Used
18	95-4702	Reel Lift Handle WA	1
19	01-250-0040	Rod End	2
20	3219-5	Nut - Hex	4
21	3253-5	Washer - Lock	2
22	01-261-0330	Spring Danly Steel	1
23	01-650-1100	All Thread - Fine	1
24	3220-3	Nut - Jam	2
25	95-4893	Ring - Retaining, External	1
26	322-5	Capscrew - Hex Hd.	3
27	3296-29	Nut - Lock	3
28	98-8866	Bracket - Switch	1
29	98-4132	Switch	1
30	32105-29	Screw - Machine, SHWH	2
31	3296-54	Nut - Lock	2
32	3253-21	Washer - Lock	3
33	32148-9	Insert - Threaded	3

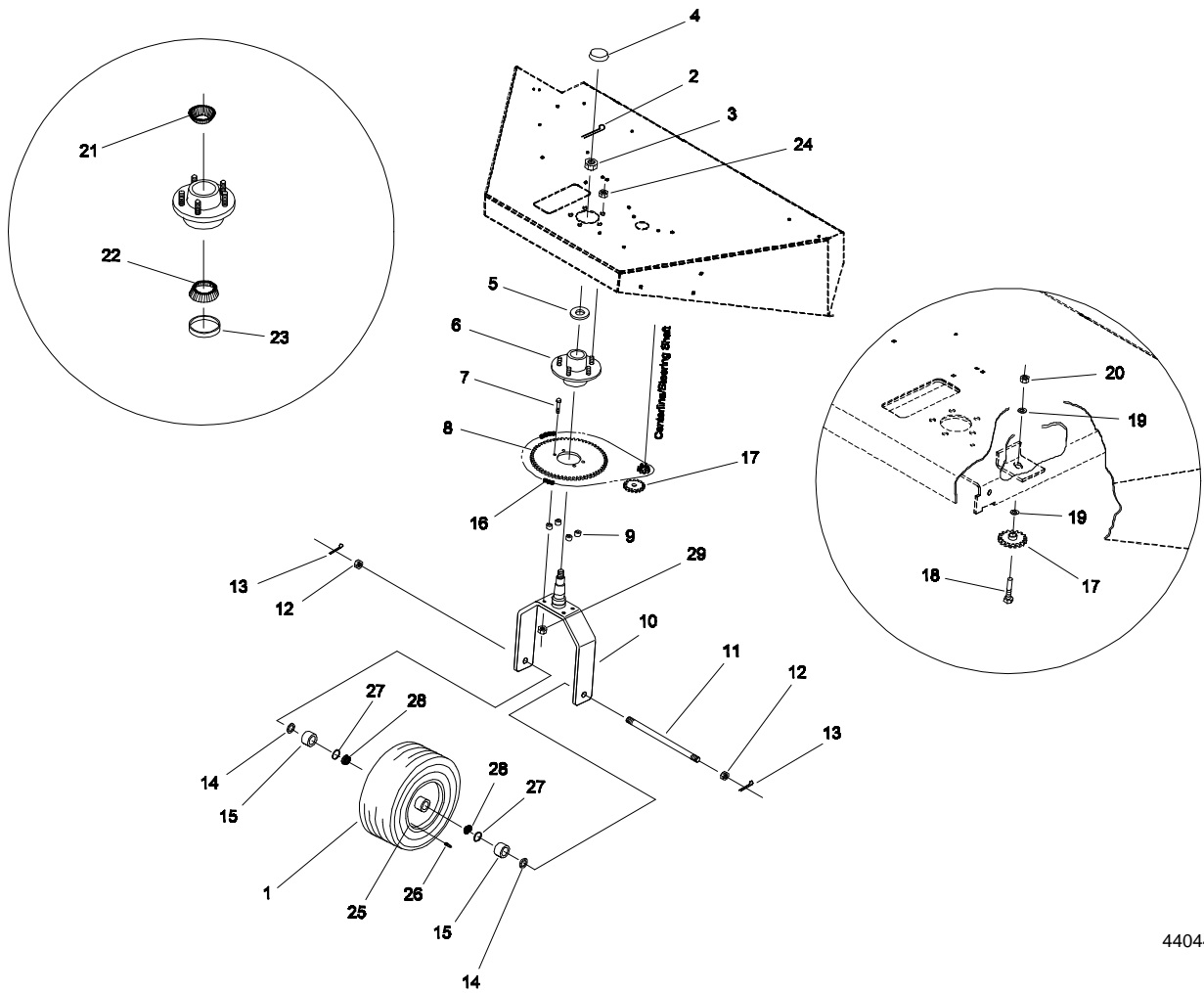


44044-31

BELT DRIVE & CLUTCH ASSEMBLY

Ref. No.	Part No.	Description	No. Used
1	98-8853	Pulley - Drive(Small)	1
2	5-4916	Key	4
3	98-8851	Pulley - Front	1
4	98-5351	Pulley - Drive(Large)	1
5	98-8867	Belt - Poly-V,K	1
6	98-8868	Belt - Poly-V,K	1
7	98-8852	Pulley - Idler	2
8	98-8850	Plate - Adj. Arm	1
9	327-16	Capscrew - Hex Hd.	1
10	98-8863	Spacer - Idler	1
11	98-8862	Spacer - Idler	1
12	98-8859	Ring - Retaining	4
13	98-8854	Bearing	4
14	3256-27	Washer - Flat	2
15	3296-53	Nut - Lock	2
16	325-4	Capscrew - Hex Hd.	2
17	3253-7	Washer - Lock	2
18	3256-6	Washer - SAE	2
19	95-4912	Bracket - Clutch	1
20	98-8861	Spacer - Idler	1
21	01-268-0370	Pulley	1
22	3256-26	Washer - SAE	2

Ref. No.	Part No.	Description	No. Used
23	325-19	Capscrew - Hex Hd.	1
24	3212-11	Capscrew - Hex Hd.	1
25	70-8040	Washer - SAE	1
26	98-5308	Clutch - Electric, Asm	1
27	98-8860	Spacer - Clutch	1
28	323-6	Capscrew - Hex Hd.	7
29	3253-5	Washer - Lock	4
30	3296-23	Nut - Lock	1
31	98-8884	Guard - Lower, Welded	1
32	98-8881	Guard - Upper, Welded	1
33	98-8855	Bracket - Upper Guard	1
34	323-7	Capscrew - Hex Hd.	4
35	3231-28	Bolt - Carriage	1
36	95-4896	Washer - Nylon	2
37	98-8529	Grommet	1
38	3253-6	Washer - Lock	1
39	01-163-0030	Screw - Set	4
40	3246-3	Screw - Set	2
41	327-14	Capscrew - Hex Hd.	1
42	3256-24	Washer - SAE	12
43	3296-39	Nut - Lock	5



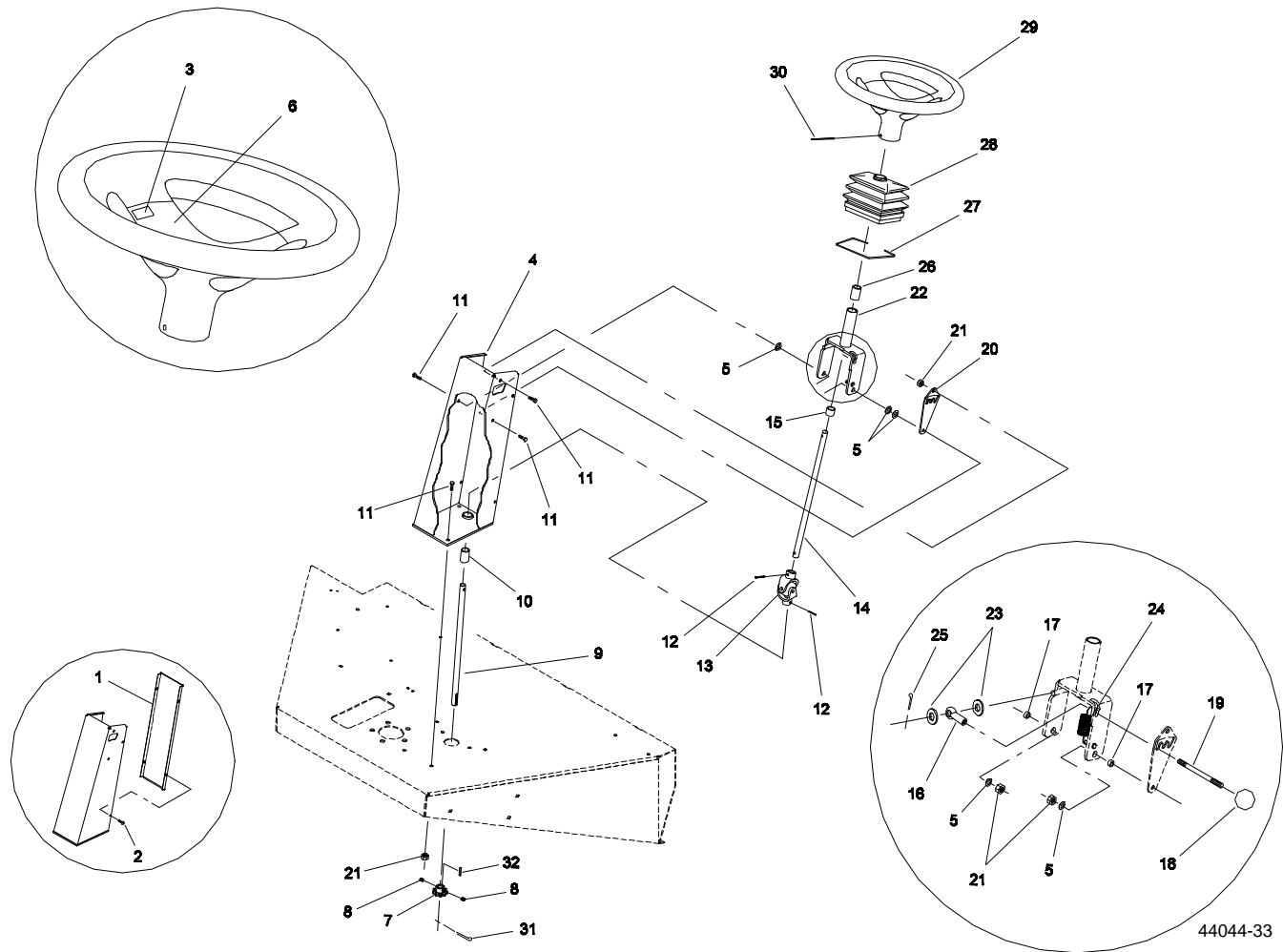
44044-32

YOKE ASSEMBLY

Ref. No.	Part No.	Description	No. Used
1	01-269-0320	Tire	1
2	3272-15	Pin - Cotter	1
3	01-190-1216	Nut - Castle	1
4	01-286-0040	Cap - Grease	1
5	3256-28	Washer - SAE	1
6	01-269-0140	Front Hub (Incl. #21 - 24)	1
7	323-11	Capscrew - Hex Hd.	4
8	95-4729	Sprocket - Steering	1
9	98-8895	Spacer - Sprocket	4
10	95-0008	Wheel - Yoke WA	1
11	95-0225	Axle-Front	1
12	01-190-1210	Nut - Castle	2
13	3272-23	Pin - Cotter	2
14	01-168-1210	Bushing - Machinery	2
15	01-269-0060	Axle Spacer	2

Ref. No.	Part No.	Description	No. Used
16	95-4796	Chain w /Master Link	1
*	2710-11	Master Link #40	1
17	01-262-0290	Sprocket - Idler	1
18	327-6	Capscrew - Hex Hd.	1
19	3256-7	Washer - USS	2
20	3296-53	Nut - Lock	1
21	01-102-0070	Bearing	1
22	01-102-0050	Bearing	1
23	01-405-0370	Seal	1
24	242-50	Nut - Lug	5
25	01-269-1810	Wheel	1
26	232-24	Stem - Valve	1
27	01-405-0460	Seal	2
28	254-78	Bearing	2
29	3296-39	Nut - Lock	4
*	01-269-1820	Tire & Wheel Ass'y (Incl. #1,25-28)	1

* Not Illustrated

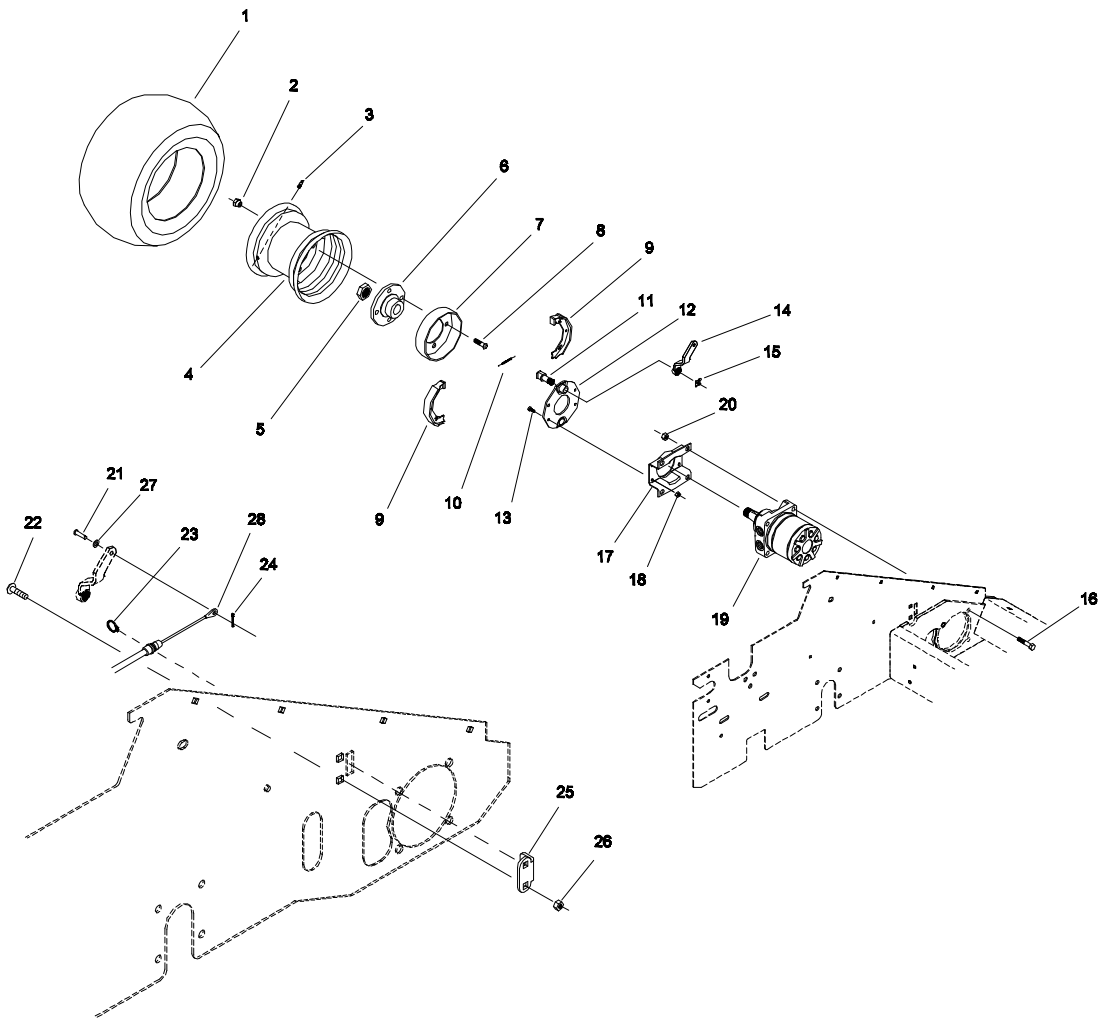


TILT ASSEMBLY

Ref. No.	Part No.	Description	No. Used
1	95-4746	Steering Cover Ass'y	1
2	87-6620	Screw - Special	4
3	98-1459	Decal - Toro	1
4	95-4739	Housing - Steering	1
5	3256-23	Washer - SAE	5
6	98-1468	Cover - Wheel, Steering	1
7	98-8871	Sprocket - Steering (Incl. #8)	1
8	3245-1	Screw - Set	2
9	98-8870	Shaft - Steering, Lower	1
10	95-4813	Bushing	1
11	322-6	Capscrew - Hex Hd.	7
12	32121-15	Pin - Roll	2
13	85-9200	Steering Knuckle	1
14	85-9220	Shaft - Steering, Upper	1
15	256-167	Bushing	1
16	95-4737	Rod End - Lever, Lift	1
17	85-9120	Spacer - Tilt Pivot	2
18	233-42	Knob	1

Ref. No.	Part No.	Description	No. Used
19	95-4736	Shaft - Lever, Lift	1
20	95-4738	Sprocket - Adj, Tilt	1
21	3296-29	Nut - Lock	7
22	95-4732	Steering Bracket WA	1
23	3256-24	Washer - SAE	2
24	95-4798	Spring - Tilt	1
25	3272-10	Pin - Cotter	1
26	256-185	Bushing	1
27	85-8930	Retainer - Boot	1
28	95-4714	Boot - Steering	1
29	98-1470	Wheel - Steering, Soft (Incl. #33)	1
30	32121-111	Pin - Roll	1
31	3272-16	Pin - Cotter	1
32	10-8040	Key	1
*	95-4744	Steering Bracket (Incl. #15,22,26)	1
*	95-4745	Steering Housing (Incl. #4,10)	1

* Not Illustrated



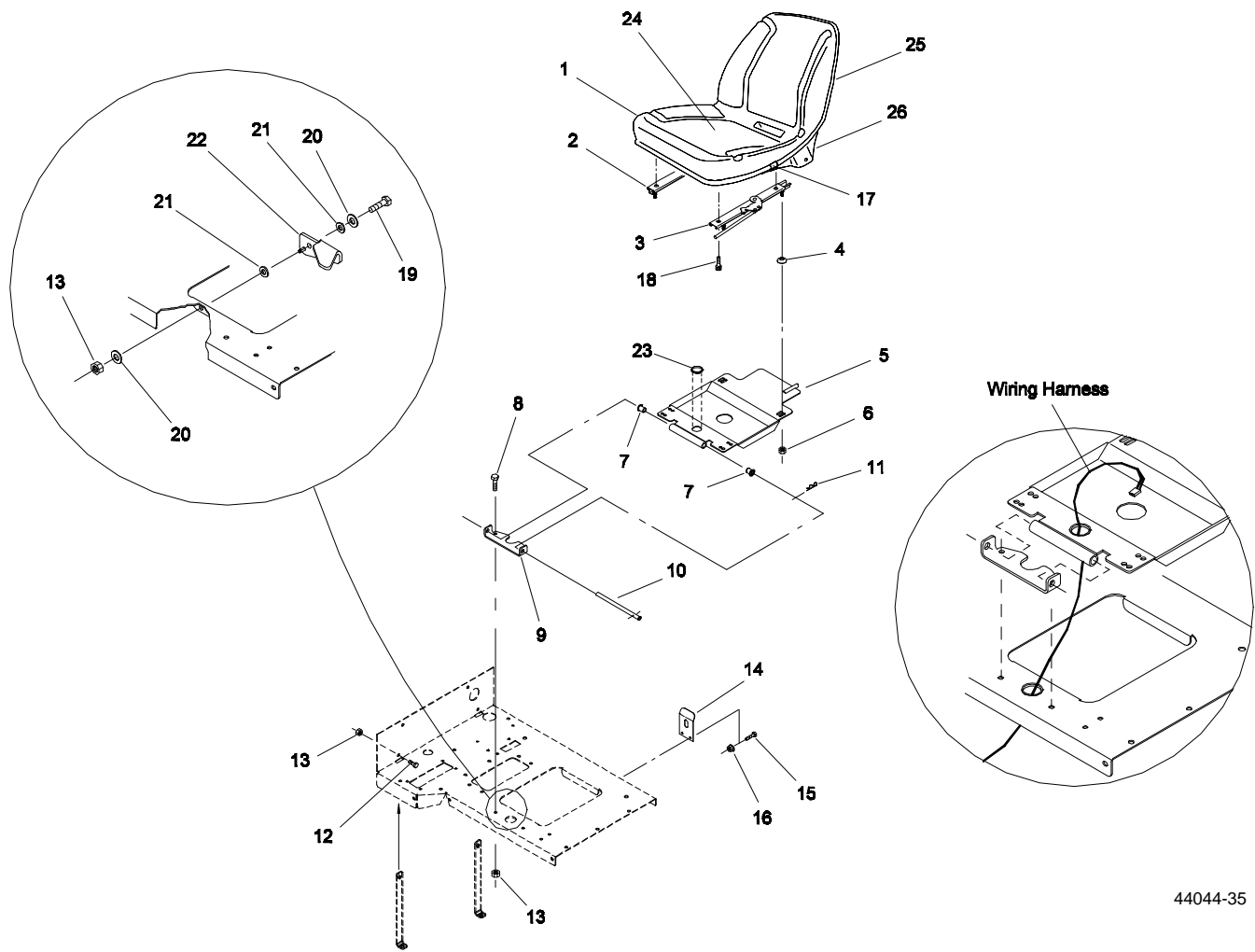
44044-34

WHEEL & BRAKE ASSEMBLY

Ref. No.	Part No.	Description	No. Used
1	95-0177	Tire - Tubeless	2
2	242-50	Nut - Lug	8
3	232-24	Stem - Valve	2
4	217-60	Rim	2
5	26-3790	Nut - Spindle	2
6	10-6870	Hub - Wheel	2
7	10-6850	Drum - Brake	2
8	85-6540	Stud - Drive	8
9	70-9840	Shoe - Brake	4
10	70-9880	Spring - Return	4
11	70-9860	Cam - Brake	2
12	70-9870	Plate - Backing	2
13	321-5	Capscrew - Hex Hd.	8
14	80-7400	Lever	2
15	70-9850	Clip - Retaining	2
16	325-13	Capscrew - Hex Hd.	8

Ref. No.	Part No.	Description	No. Used
17	84-2000	Bracket - Brake	2
18	3296-42	Nut - Lock	8
19	92-9199	Motor - Hydraulic	2
20	3296-23	Nut - Lock	8
21	283-62	Pin - Clevis	2
22	3231-2	Bolt - Carriage	4
23	32120-47	Ring - Retaining	2
24	3272-10	Pin - Cotter	2
25	92-4698	Mount - Cable, Brake	2
26	3296-39	Nut - Lock	4
27	3256-23	Washer - SAE	2
28	95-0025	Cable - Brake, RH (Shown)	1
*	95-0287	Cable - Brake, LH	1
*	71-1500	Brake Ass'y (Incl. #9,10,11,12,15)	2
*	10-6821	Brake Drum Ass'y (Incl. #6,7,8)	2
*	95-0293	Tire Ass'y (Incl. #1,3,4)	2

* Not Illustrated



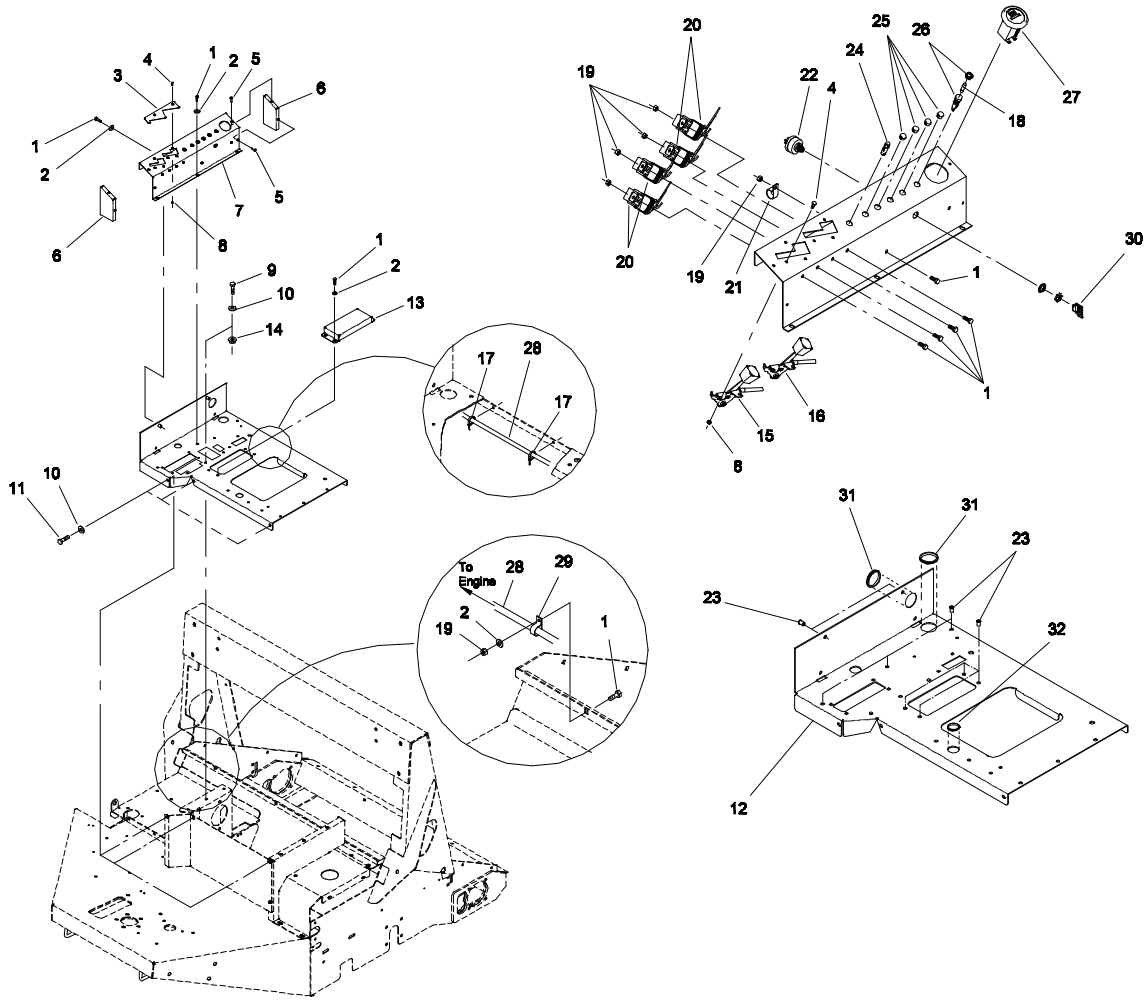
44044-35

SEAT ASSEMBLY

Ref. No.	Part No.	Description	No. Used
1	92-6280	Seat Assembly (Incl. #24-29)	1
2	95-4763	Adjuster - Seat	1
3	95-4764	Adjuster - Seat, Handle	1
4	66-9290	Suspension Spacer	4
5	95-4909	Seat Plate WA	1
6	3296-29	Nut - Lock	4
7	256-155	Bushing	2
8	323-6	Capscrew - Hex Hd.	2
9	95-0379	Bracket - Pivot, Seat	1
10	49-5880	Shaft - Seat Support	1
11	3290-467	Pin - Hair	1
12	323-4	Capscrew - Hex Hd.	2
13	3296-39	Nut - Lock	5
14	66-2630	Latch Seat	1

Ref. No.	Part No.	Description	No. Used
15	321-2	Capscrew - Hex Hd.	2
16	3296-43	Nut - Lock	2
17	351-80	Clip - Edging	1
18	3274-12	Screw - Socket	4
19	323-7	Capscrew - Hex Hd.	1
20	3256-4	Washer - Flat	2
21	95-4896	Washer - Nylon	2
22	95-4894	Prop - Seat, Weldment	1
23	240-5	Grommet	1
24	92-6533	Seat Cushion Kit	1
25	351-78	Edging - Seat	1
26	92-6534	Shell - Seat	1
* 27	92-6282	Switch - Seat (Not Show n)	1
* 28	321-3	Screw - HH (Not Show n)	2

* Not Illustrated

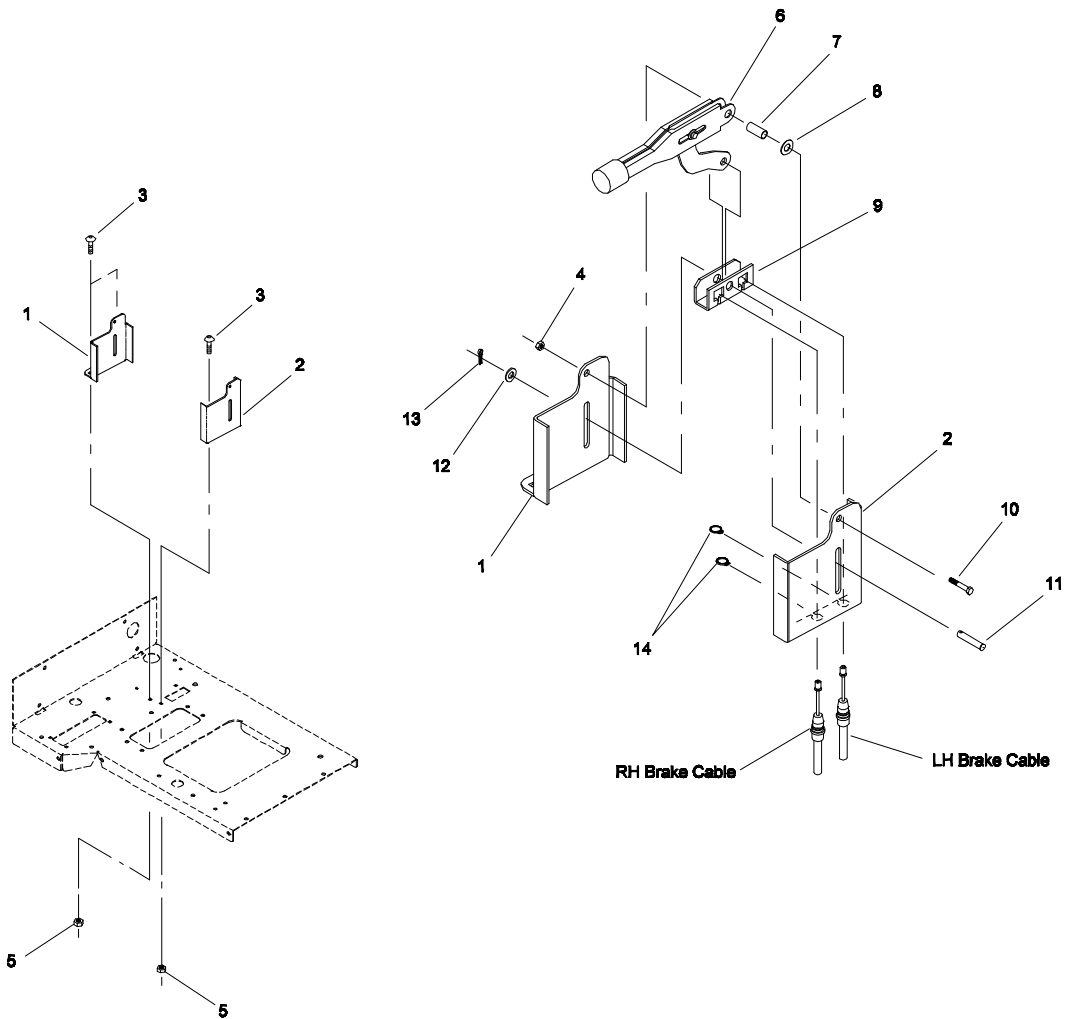


44044-36

CONTROL PANEL

Ref. No.	Part No.	Description	No. Used
1	321-4	Capscrew - Hex Hd.	15
2	3256-22	Washer - SAE	10
3	95-0269	Plate - Cover	1
4	3290-134	Machine Screw - Hex Hd.	6
5	3269-4	Rivet - Pop	4
6	95-0186	Cap - End, Panel	2
7	92-4694	Panel - Control	1
8	3296-2	Nut - Lock	6
9	323-6	Capscrew - Hex Hd.	3
10	3256-24	Washer - SAE	6
11	323-4	Capscrew - Hex Hd.	3
12	95-4911	Access Cover	1
13	95-0329	Cover - Top	1
14	32128-43	Nut - Flange Lock	3
15	95-4816	Control Ass'y - Throttle	1
16	95-0286	Control Ass'y - Choke	1

Ref. No.	Part No.	Description	No. Used
17	3290-410	Tie - Push Mount	2
18	----	Fuse, 10A (Obtain Locally)	1
19	3296-42	Nut - Lock	6
20	70-1480	Relay - Sealed, w/Brkt.	4
21	2412-73	R-Clamp	1
22	27-2360	Switch - Key	1
23	32148-6	Insert - Threaded	9
24	87-8580	Light - Indicator	1
25	95-4765	Plug - Hole	4
26	218-489	Holder - Fuse	1
27	66-2950	Hour Meter	1
28	98-8874	Harness - Wire	1
29	2412-39	R-Clamp	1
30	63-8360	Key - Ignition, w/Shield	1
31	240-7	Grommet	2
32	240-5	Grommet	1

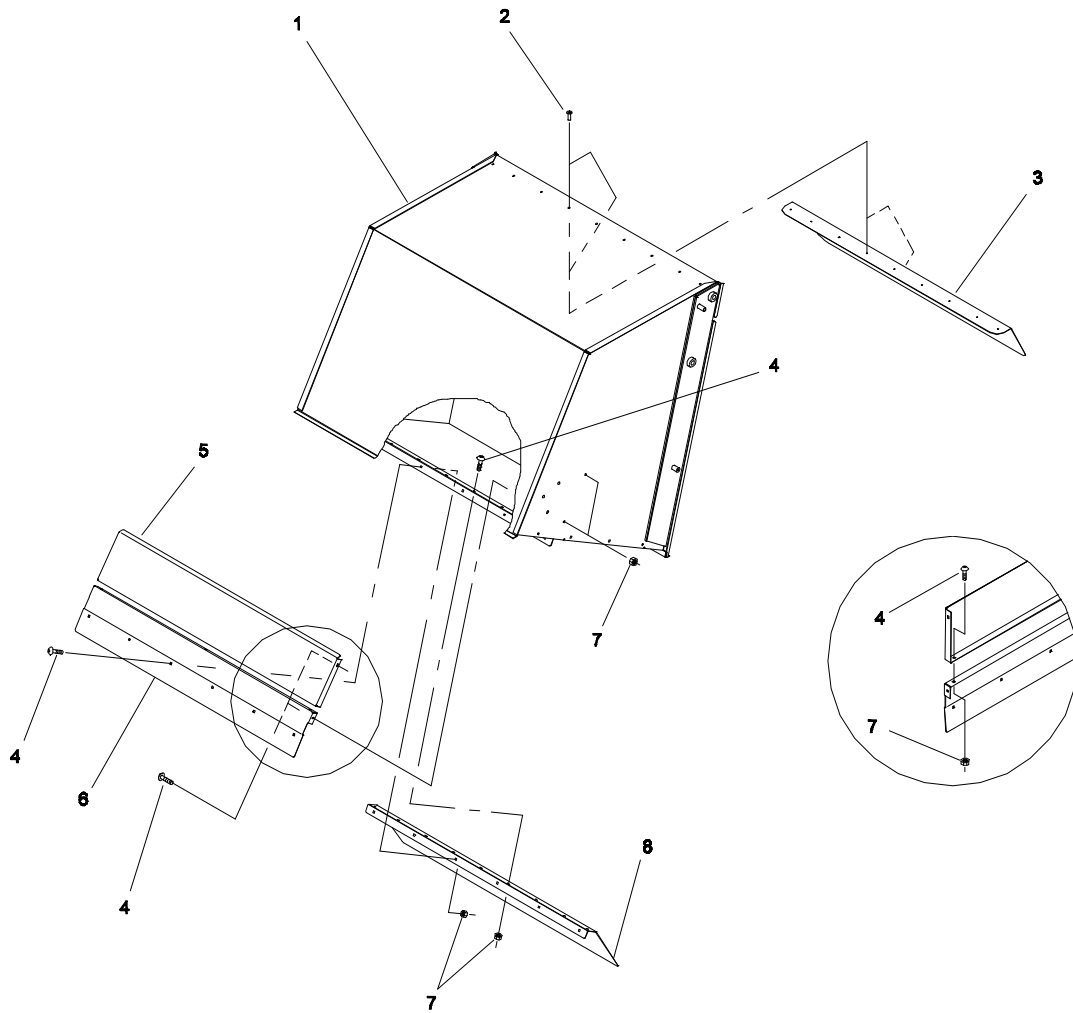


44044-37

PARKING BRAKE ASSEMBLY

Ref. No.	Part No.	Description	No. Used
1	95-0010	Mount - Brake RH	1
2	95-0009	Mount - Brake LH	1
3	3229-1	Bolt - Carriage	3
4	3296-42	Nut - Lock	1
5	3296-43	Nut - Lock	3
6	87-2710	Lever Brake	1
7	87-4710	Spacer - Parking, Brake	1

Ref. No.	Part No.	Description	No. Used
8	3290-477	Washer - Curved	1
9	87-3480	Bracket - Equalizer, Cable	1
10	321-9	Capscrew - Hex Hd.	1
11	283-18	Pin - Clevis	1
12	3256-23	Washer - SAE	1
13	3272-9	Pin - Cotter	1
14	32120-47	Ring - Retaining	2

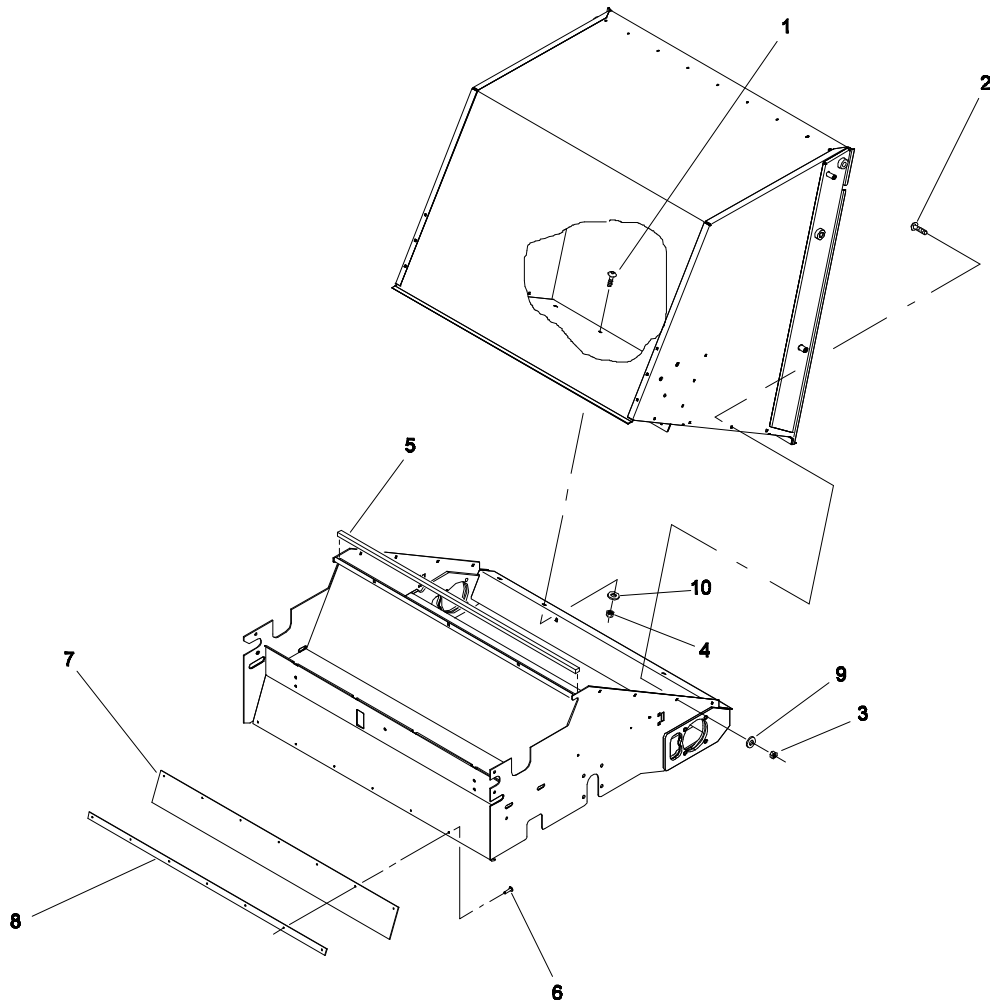


44044-38

HOPPER ASSEMBLY

Ref. No.	Part No.	Description	No. Used
1	95-0238	Hopper WA	1
2	3269-22	Rivet - Pop	14
3	95-0240	Deflector - Top Hopper	1
4	3229-11	Bolt - Carriage	22

Ref. No.	Part No.	Description	No. Used
5	95-4814	Baffle - Hopper Inlet, Upper	1
6	95-4815	Baffle - Hopper Inlet, Lower	1
7	3296-43	Nut - Lock	22
8	95-0234	Deflector - Bottom Hopper	1

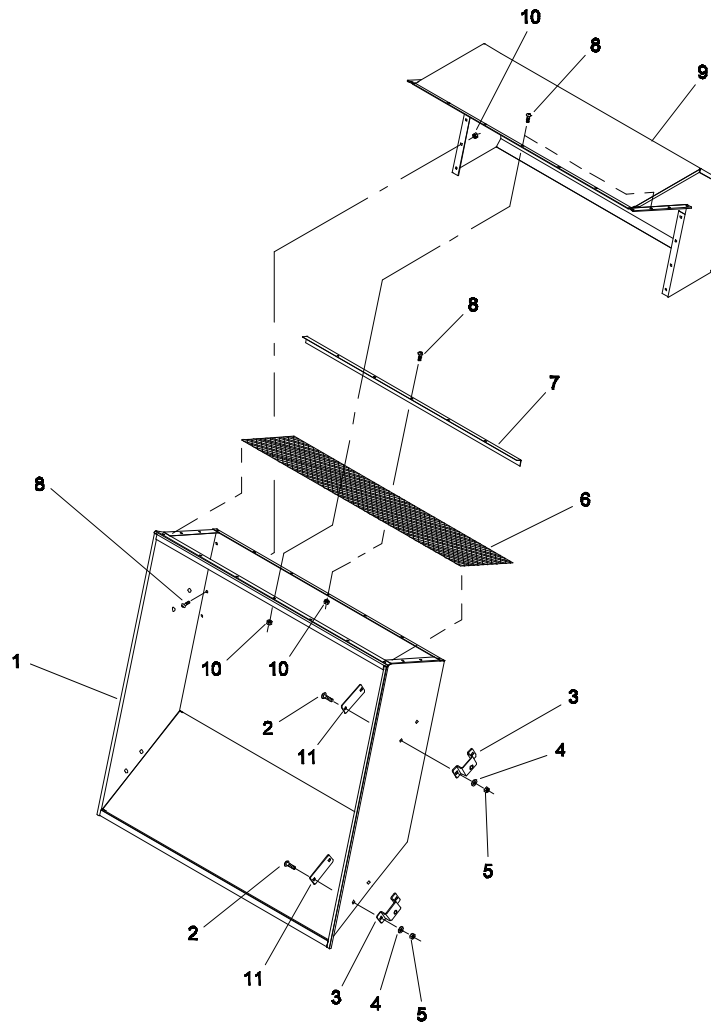


44044-39

HOPPER MOUNTING

Ref. No.	Part No.	Description	No. Used
1	3230-2	Bolt - Carriage	2
2	3229-1	Bolt - Carriage	8
3	3217-5	Nut - Hex	8
4	3217-6	Nut - Hex	2
5	95-4788	Sponge - Neoprene	1

Ref. No.	Part No.	Description	No. Used
6	01-161-0090	Rivet - Pop	7
7	95-4802	Skirt - Rubber	1
8	95-4803	Bar - Reinforcement	1
9	3256-2	Washer - Flat	8
10	3256-3	Washer - Flat	2

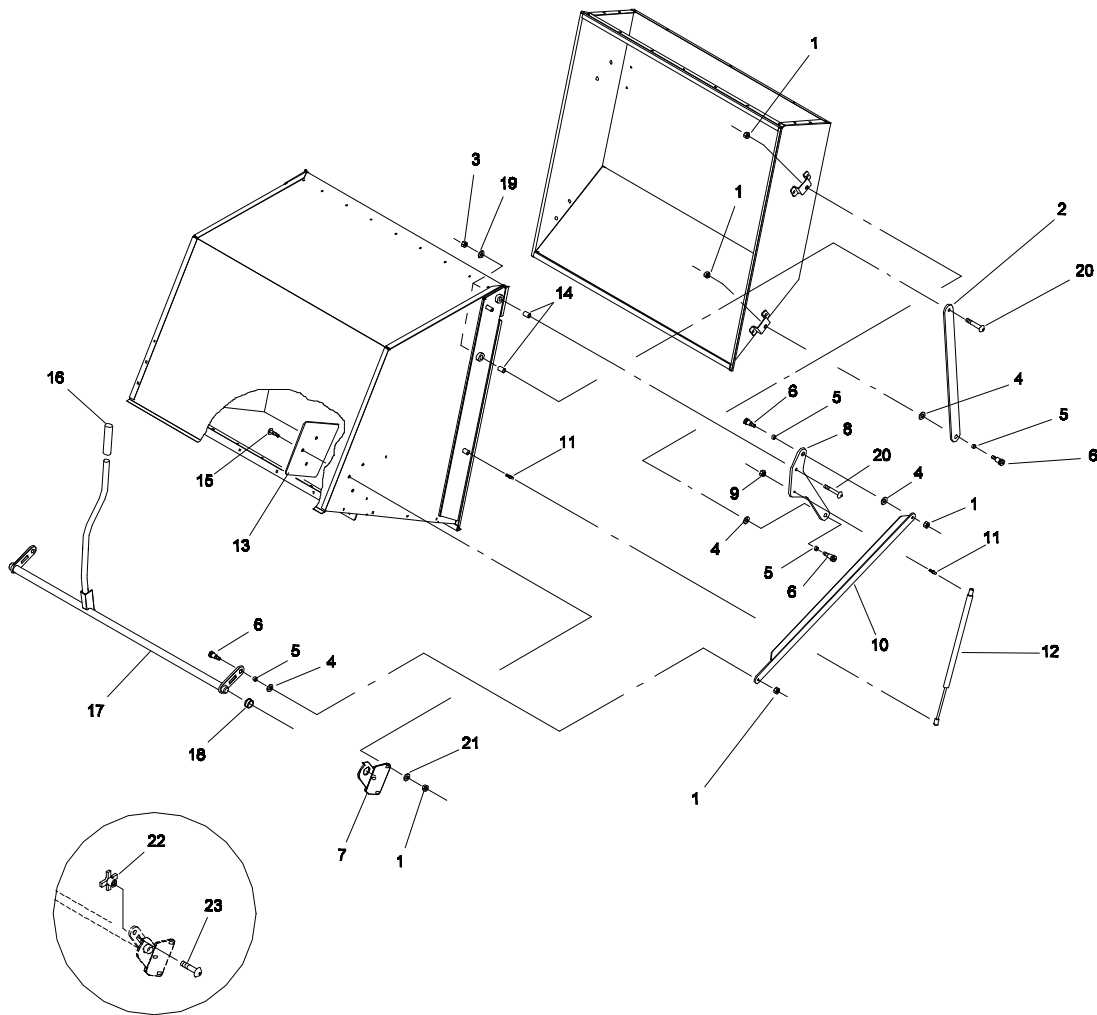


44044-40

DOOR ASSEMBLY

Ref. No.	Part No.	Description	No. Used
1	95-0249	Door - Hopper WA	1
2	3231-2	Bolt - Carriage	8
3	95-0247	Hinge - Door	4
4	3256-24	Washer - SAE	8
5	3296-39	Nut - Lock	8
6	95-0231	Hood - Screen	1

Ref. No.	Part No.	Description	No. Used
7	95-0253	Screen - Clamp	1
8	3229-1	Bolt - Carriage	26
9	95-0250	Hood WA	1
10	3296-43	Nut - Lock	26
11	95-4829	Plate - Reinforcement	4



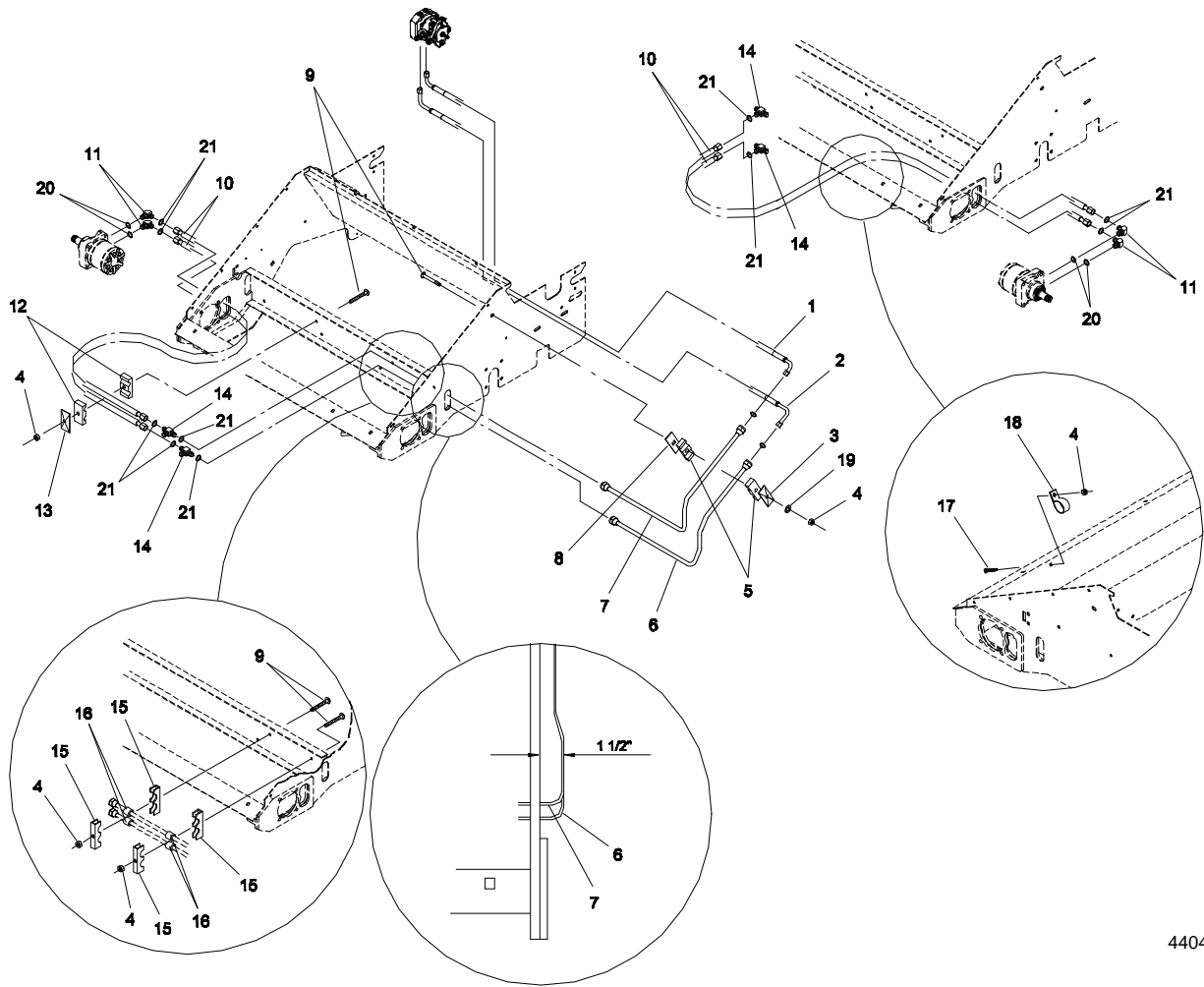
44044-41

DOOR LIFT ASSEMBLY

Ref. No.	Part No.	Description	No. Used
1	3296-39	Nut - Lock	14
2	95-0313	Link - Door, Low er	2
3	3296-53	Nut - Lock	4
4	3256-26	Washer - SAE	8
5	47-2890	Bushing	8
6	95-4857	Bolt - Shoulder	8
7	95-4767	Bracket - Door, Lift LH	1
*	95-0352	Bracket - Door, Lift RH	1
8	95-0316	Link - Door, Upper	2
9	3296-29	Nut - Lock	2
10	95-0315	Link - Lift, LH	1
*	95-0393	Link - Lift, RH	1
11	95-0275	Ball - Stud	4

Ref. No.	Part No.	Description	No. Used
12	95-4902	Spring - Gas	2
13	95-4781	PL - Sup., Hopper Str.	2
14	17-1620	Bushing - Straight	4
15	3231-28	Bolt - Carriage	6
16	01-259-0010	Handle Grip	1
17	95-0322	Door Lift WA	1
18	01-126-0110	Bushing	2
19	3256-27	Washer - SAE	4
20	3233-32	Bolt - Carriage	4
21	3256-24	Washer - SAE	6
22	95-4769	Knob - Clamping	1
23	3233-1	Bolt - Carriage	1

* Not Illustrated

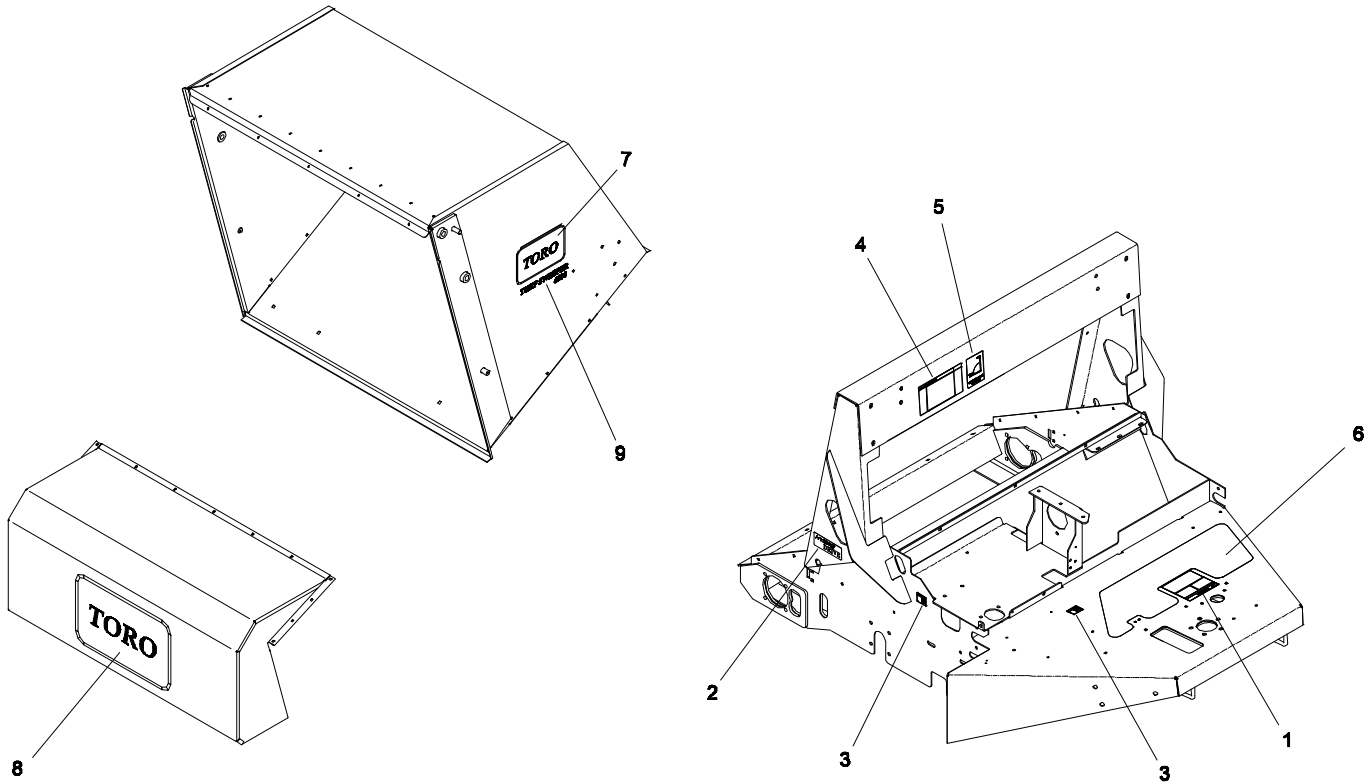


44044-42

HYDRAULIC TUBES & HOSES

Ref. No.	Part No.	Description	No. Used
1	95-4755	Hose - Hydraulic	1
2	95-4754	Hose - Hydraulic	1
3	95-4795	Plate - Clamp	1
4	3296-29	Nut - Lock	4
5	95-4794	Clamp - Tw in	1
6	95-0264	Tube - Asm	1
7	95-0263	Tube - Asm	1
8	95-4793	Plate - Clamp	1
9	3230-32	Bolt - Carriage	4
10	95-4753	Hose - Hydraulic	4
11	340-17	Fitting - Hydraulic (Incl. #20,21)	4

Ref. No.	Part No.	Description	No. Used
12	95-4791	Clamp - Tw in	1
13	95-4792	Plate - Clamp	1
14	340-19	Tee - Hydraulic (Incl. #21)	2
15	95-0277	Bracket - Tube	4
16	95-0276	Bushing - Rubber	4
17	3230-1	Bolt - Carriage	1
18	92-4372	R-Clamp	1
19	3256-23	Washer - SAE	1
20	237-80	O-Ring	4
21	237-65	O-Ring	12

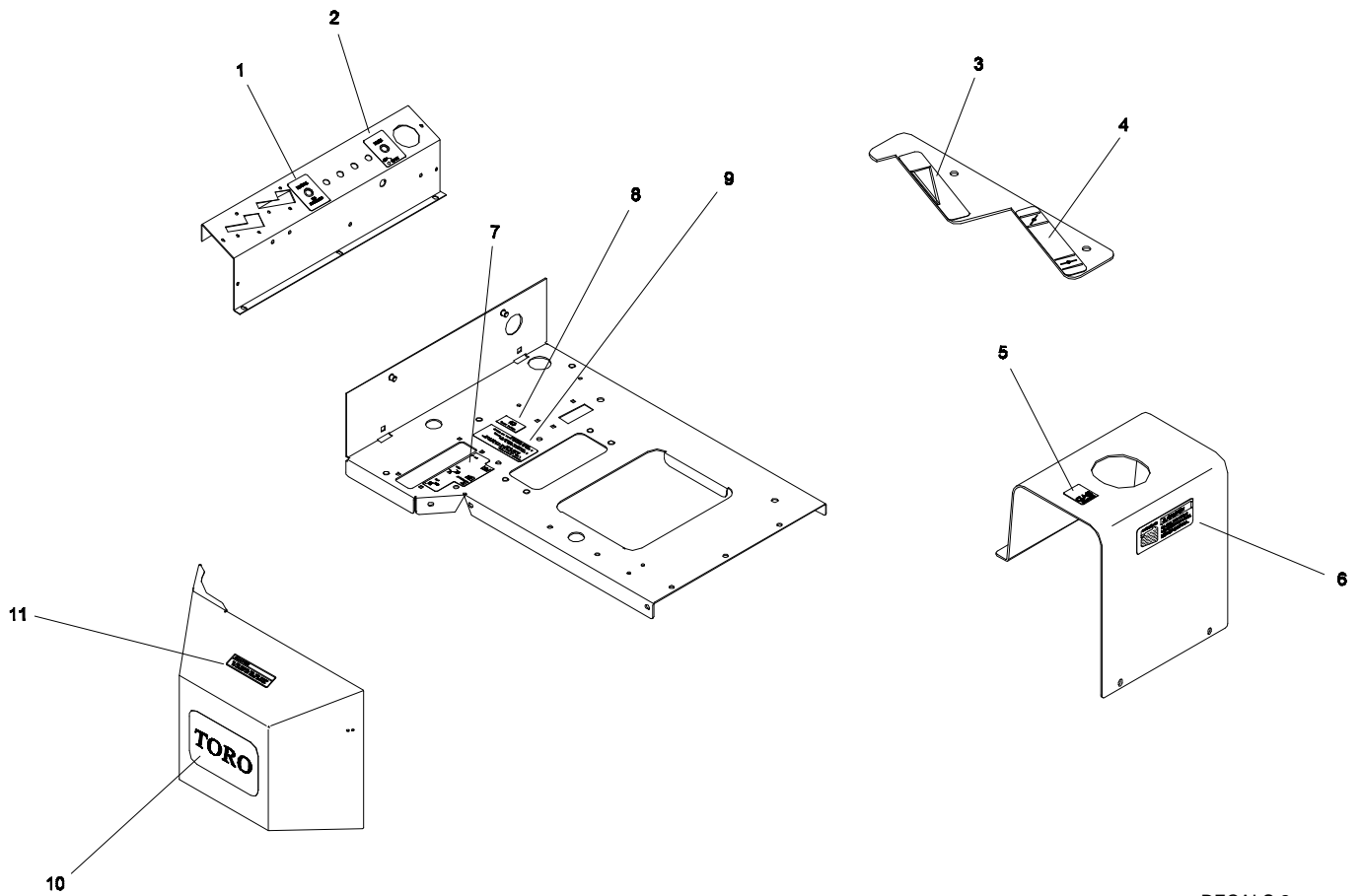


DECALS-3

DECALS

Ref. No.	Part No.	Description	No. Used
1	01-506-0090	Decal - Slopes	1
2	82-4600	Decal - Hydro Drive	2
3	88-8950	Decal - Warning	2
4	95-0387	Decal - Operating Instructions	1
5	95-0388	Decal - Operating, Hopper	1

Ref. No.	Part No.	Description	No. Used
6	95-0398	Tread - Floorboard	1
7	66-6140	Decal - Toro	2
8	67-7920	Decal - Logo (Lg)	1
9	01-506-0650	Decal - Turf Sweeper 4800	2

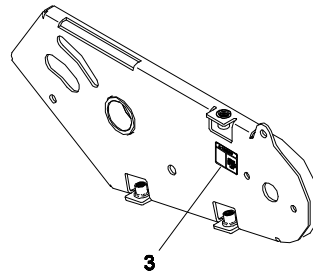
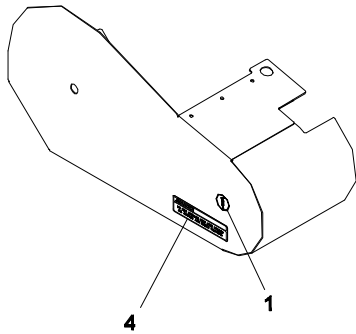
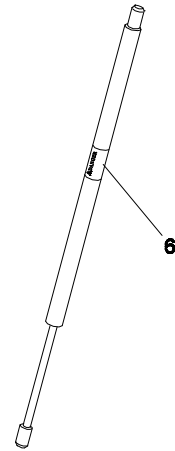
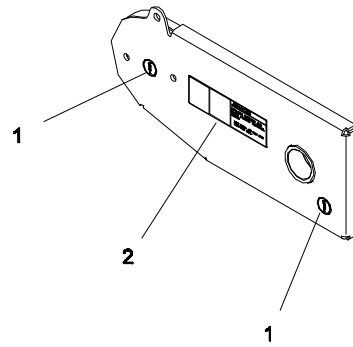
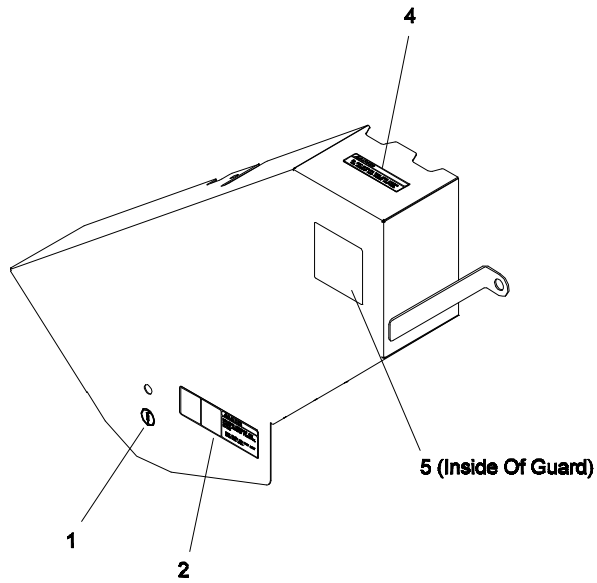


DECALS-2

DECALS (Continued)

Ref. No.	Part No.	Description	No. Used
1	95-0383	Decal - Oil Light	1
2	95-0384	Decal - Fuse	1
3	95-0370	Decal - Throttle	1
4	95-0371	Decal - Choke	1
5	53-4420	Decal - Gas	1
6	27-7310	Decal - Refueling	1

Ref. No.	Part No.	Description	No. Used
7	95-0390	Decal - Operation, Reels	1
8	87-6020	Decal - Parking Brake	1
9	95-0389	Decal - Operation, Starting	1
10	67-7320	Decal - Logo	1
11	67-5360	Decal - Danger	1

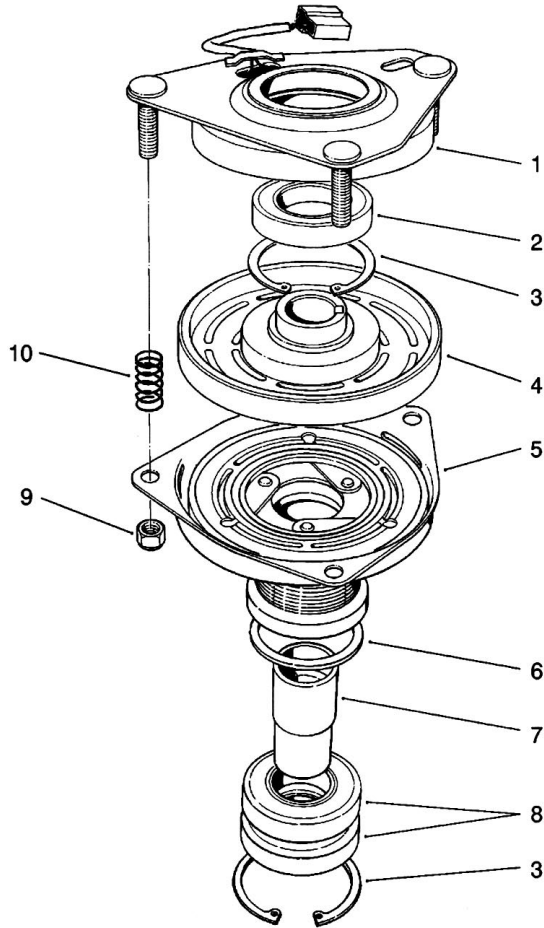


DECALS-1

DECALS (Continued)

Ref. No.	Part No.	Description	No. Used
1	58-6520	Decal - Grease	4
2	01-506-0080	Decal - Hands & Feet Clear	2
3	88-8950	Decal - Warning	1

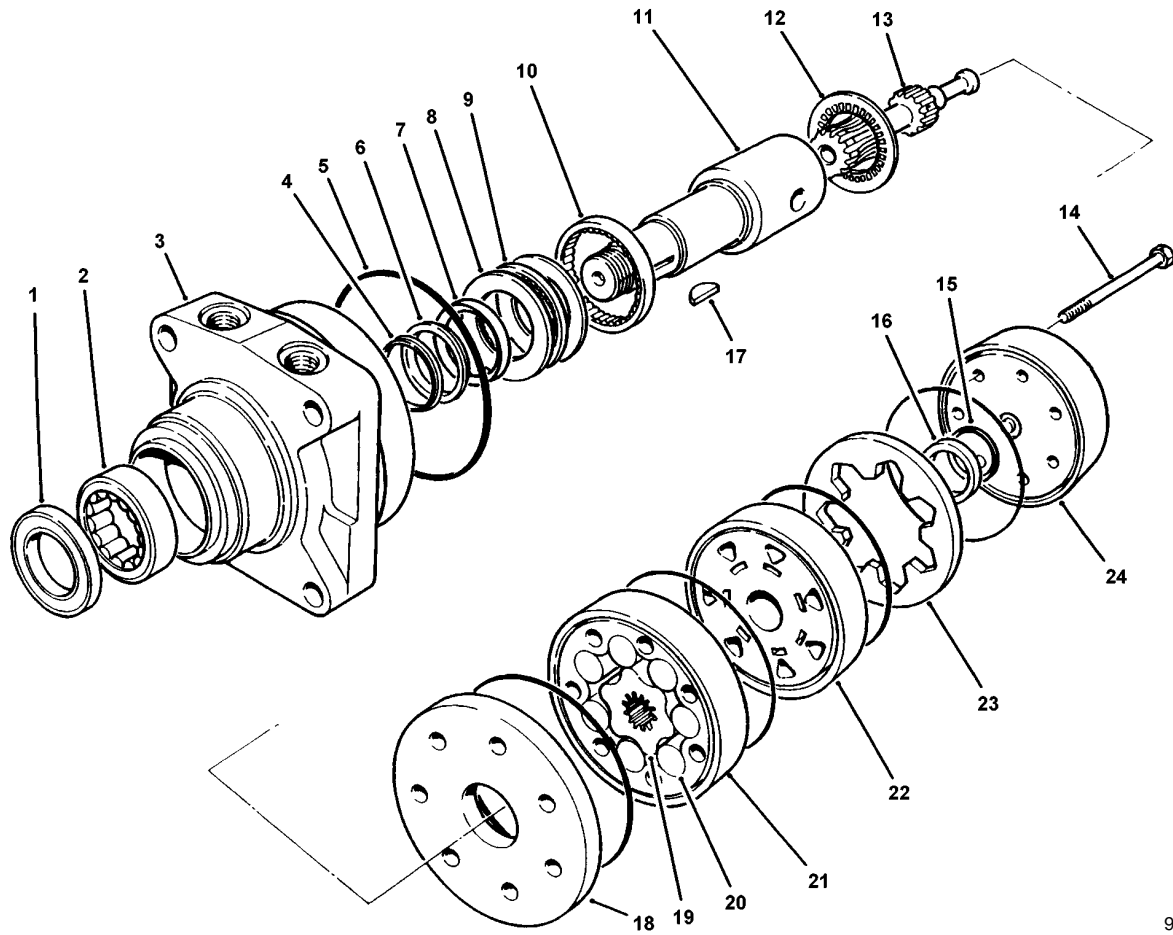
Ref. No.	Part No.	Description	No. Used
4	67-5360	Decal - Danger	2
5	98-8880	Decal - Routing, Belt	1
6	85-7490	Decal - Warning	2



CLUTCH ASSEMBLY - NO. 98-5308

Ref. No.	Part No.	Description	No. Used
1	44-8350	Asm - Field (Incl. #2,3)	1
2	251-292	Bearing - Field	1
3	44-8310	Ring - Retaining	2
4	44-8360	Field Coil & Bearing (Incl. #1)	1
5	98-5333	Armature & Pulley Asm (Incl. #3,6,7,8)	5

Ref. No.	Part No.	Description	No. Used
6	44-8330	Spacer - Bearing, Pulley	1
7	98-5334	Collar - Bearing	1
8	251-291	Bearing - Pulley	1
9	3296-6	Nut - Lock	3
10	44-8320	Spring	3



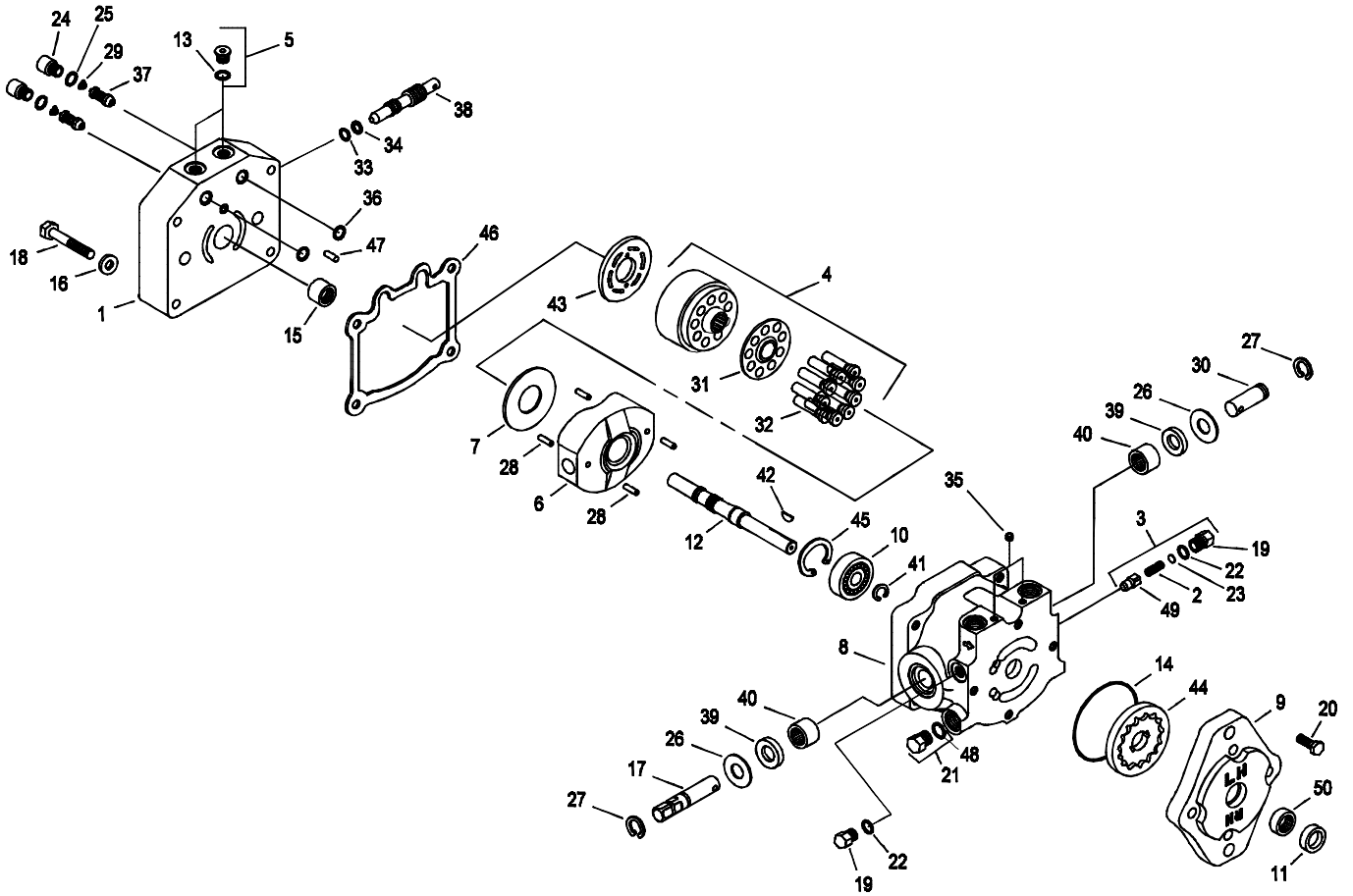
92-9199

HYDRAULIC MOTOR ASSEMBLY - NO. 92-9199

Ref. No.	Part No.	Description	No. Used
1		Seal - Dirt & Water	1
2		Bearing	1
3		Housing	1
4		Washer - Back-Up	1
5		Ring - Seal	5
6		Washer - Back-Up	1
7		Seal - Inner	1
8		Washer - Thrust	2
9		Bearing - Thrust	1
10		Bearing	1
11	76-0860	Shaft - Coupling	1
12	76-0850	Bearing - Thrust	1
13	92-9761	Link - Drive	7
14	92-9762	Screw - Cap Hex Hd.	1
15		Seal - Commutator	1
16		Commutator	1

Ref. No.	Part No.	Description	No. Used
17	3257-42	Key - Woodruff	1
18	76-0870	Plate - Wear	1
19		Rotor	1
20		Vane	7
21		Stator	1
22	76-0840	Manifold	1
23		Ring - Commutator	1
24	76-0940	End Cover Assembly	1
*	92-9763	Rotor Set (Incl. #19-21)	1
*	76-0880	Commutator Assembly (Incl. #15,16 &23)	1
*	94-8178	Seal Kit (Incl. #1,4-7 & 15)	1
*	76-0810	Housing Assembly (Incl. #2,3 & 8-10)	1

* Not Illustrated

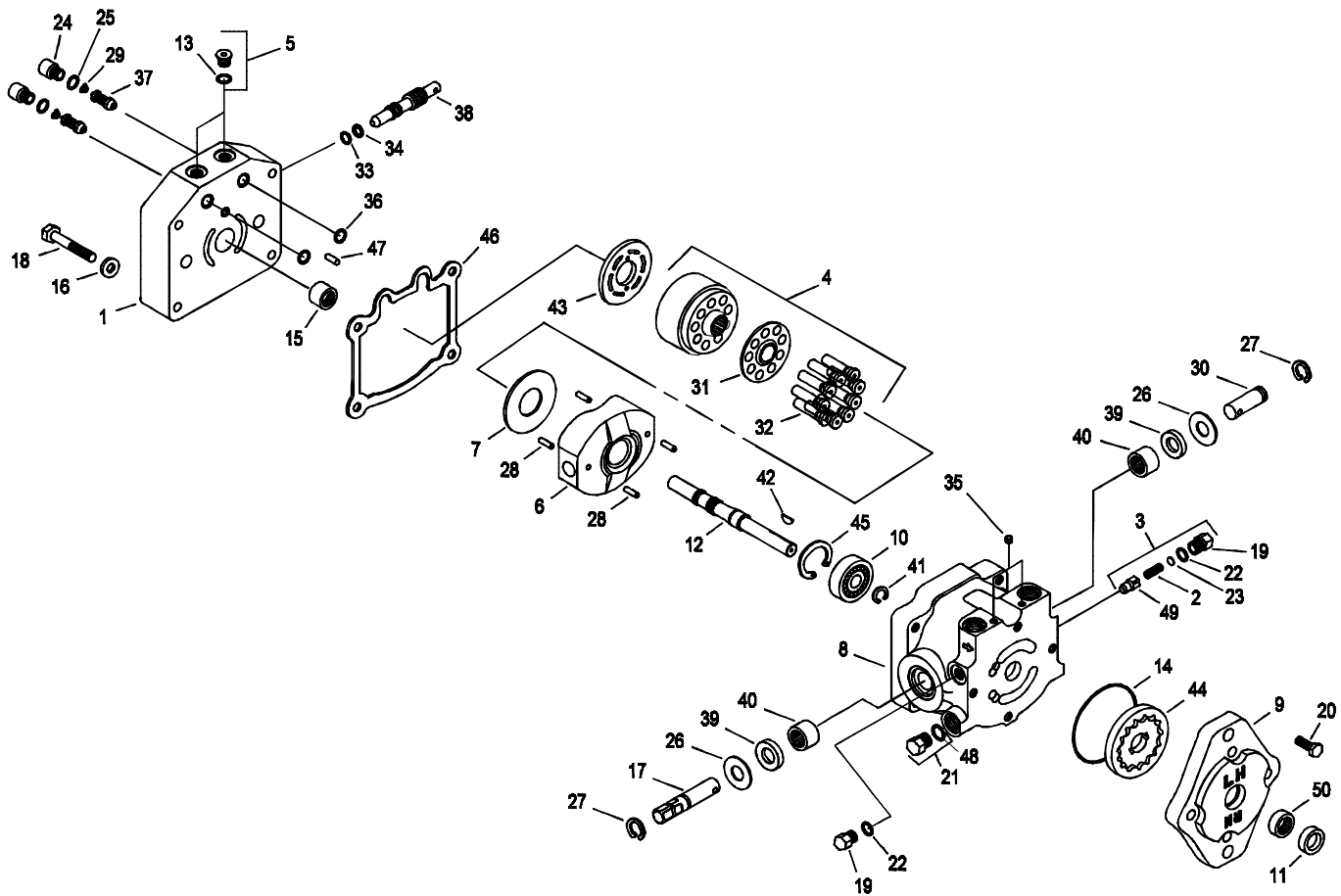


95-0156

HYDRAULIC PUMP ASSEMBLY - NO. 95-0156

Ref. No.	Part No.	Description	No. Used
1	95-4897	Cap - End	3
2	25-2480	Spring	1
3	49-8510	Kit - Charge Relief (Incl. #2,19,22,23,49)	1
4	48-1800	Kit - Cylinder Block (Incl. #31-32)	1
5	75-0170	Plug (Incl. #13)	2
6	25-2450	Sw ashplate	1
7	25-2380	Plate - Thrust	1
8	95-4898	Asm - Housing, Variable	1
9	25-2690	Housing - Pump, Charge	1
10	95-5809	Bearing - Ball	1
11	93-4133	Seal - Lip	1
12	95-4899	Shaft	1
13	92-8777	O-Ring	2
14	95-4904	O-Ring	1
15	67-8080	Bearing - Roller	1
16	93-0312	Washer	1
17	88-8180	Shaft - Trunnion	1
18	323-12	Capscrew - Hex Hd.	4
19	25-2460	Plug	2
20	322-4	Capscrew - Hex Hd.	4
21	88-8210	Plug (Incl. Ref. #48)	1

Ref. No.	Part No.	Description	No. Used
22	28-3550	O-Ring	2
23	25-2470	Kit - Shim	1
24	95-4900	Plug	2
25	75-0240	O-Ring	2
26	25-2510	Washer	2
27	32151-79	Ring - Retaining	2
28	83-3880	Pin - Coiled, Spring	4
29	75-0140	Spring	2
30	25-2500	Shaft - Trunnion	1
31		Retainer - Slipper	1
32		Asm - Piston	9
33	69-3840	O-Ring	1
34	25-2630	Ring - Backup	1
35	75-0160	Plug - Pipe	2
36	95-4903	O-Ring	2
37	95-4901	Valve - SCR	2
38	88-8220	Valve - Bypass	1
39	25-3210	Seal - Lip	2
40	28-3310	Bearing - Needle	2
41	94-3996	Ring - Retaining	1
42	3257-32	Key - Woodruff	1
43	88-8160	Plate - Valve	1
44	95-5812	Asm - Gerotor	1



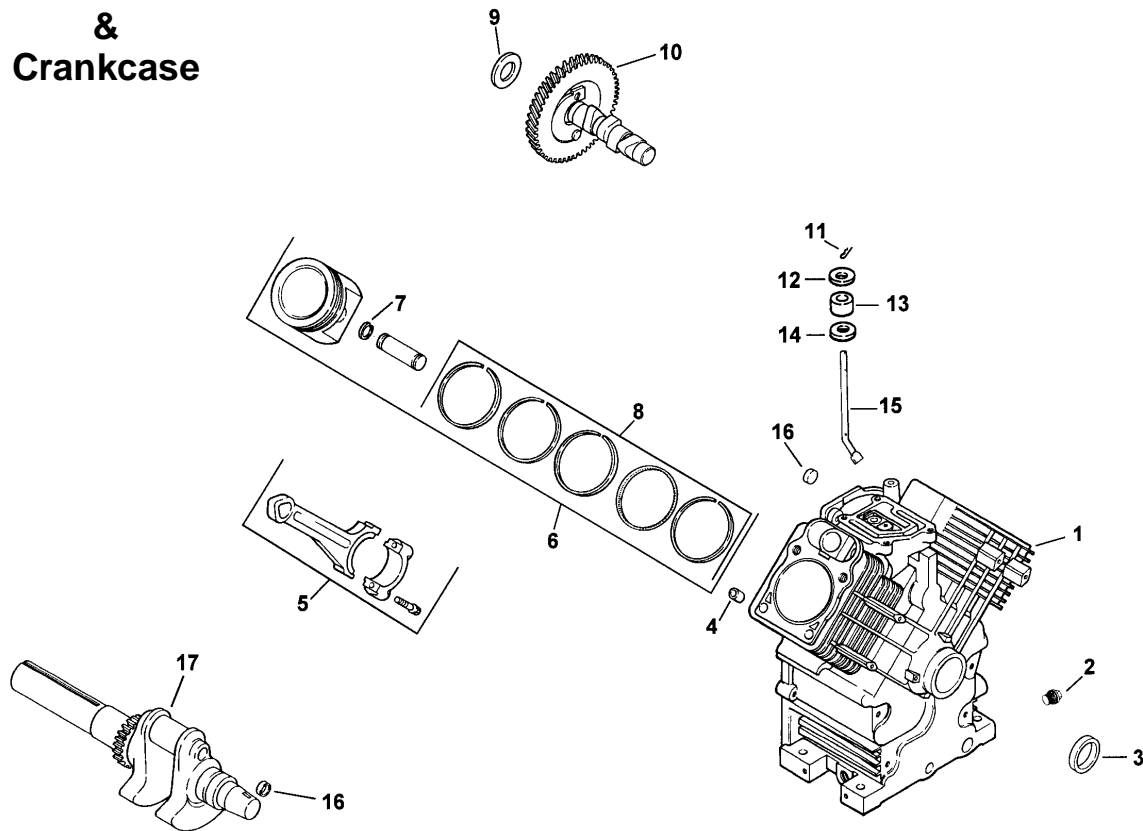
95-0156

HYDRAULIC PUMP ASSEMBLY - NO. 95-0156 (Continued)

Ref. No.	Part No.	Description	No. Used
45	32151-75	Ring - Retaining	1
46	25-2400	Gasket	1
47	25-2430	Pin	1

Ref. No.	Part No.	Description	No. Used
48	28-3570	O-Ring	1
49	83-7260	Cone - Relief, Charge	1
50	67-8050	Bearing - Needle	1

Crankshaft & Crankcase



GRP2.PCX

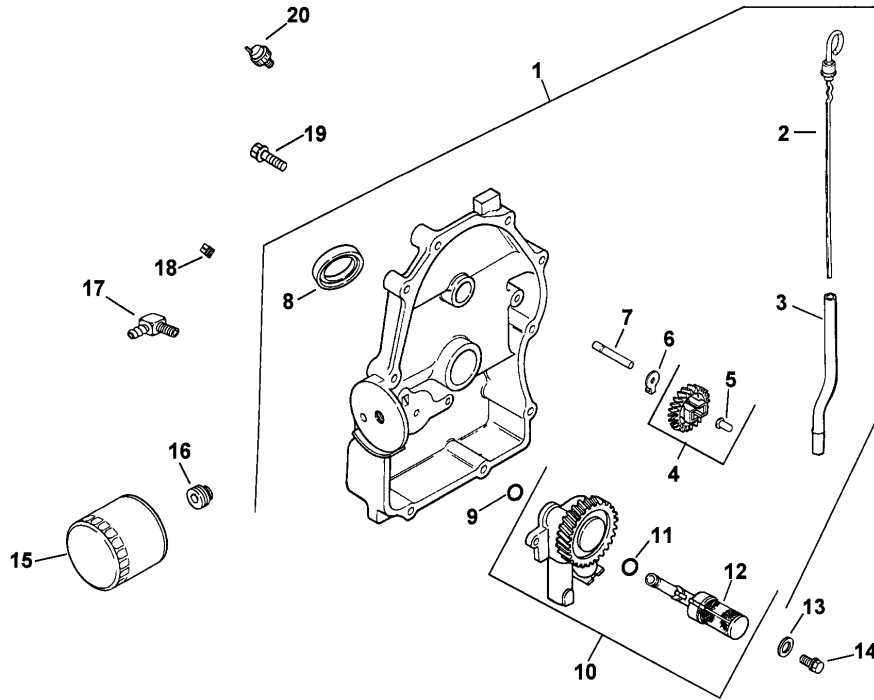
ENGINE KOHLER MODEL CH18S SPEC. NO. 62595

Ref. No.	Part No.	Description	No. Used
1		Block - Cylinder (Use Miniblock)	1
2	52 139 02	Plug - Hex. Head	2
3	24 032 01	Seal - Oil Front	1
4	12 380 17	Pin - Dow el Locating	6
5	24 067 09	Rod - Connecting (Std.)	2
*	24 067 10	Rod - Connecting (.25)	2
6	24 874 01	Piston w/Ring set (Std.)	2
		(Incl. #7,8)	
*	24 874 02	Piston w/Ring set (.25)	2
*	24 874 03	Piston w/Ring set (.50)	2
7	24 018 01	Retainer - Piston Pin	4
8	24 108 01	Ring Set (Std.)	2
*	24 108 02	Ring Set (.25)	2
*	24 108 03	Ring Set (.50)	2
9	12 422 09	Shim - Camshaft	A/R
*	12 422 13	Shim - Camshaft	A/R
*	12 422 07	Shim - Camshaft	A/R

Ref. No.	Part No.	Description	No. Used
*	12 422 08	Shim - Camshaft	A/R
*	12 422 10	Shim - Camshaft	A/R
*	12 422 11	Shim - Camshaft	A/R
*	12 422 12	Shim - Camshaft	A/R
10	24 012 05	Camshaft	1
11	12 380 04	Pin - Hitch	1
12	M-0631005	Washer - Plain	1
13	12 032 01	Seal - Governor Cross Shaft	1
14	X-25-102	Washer - Plain	1
15	24 144 01	Shaft - Governor Cross	1
16	52 139 09	Plug - Cup	2
17	24 014 84	Crankshaft (Incl. #16)	1
*	24 755 03	Gasket Set	1
*	24 522 01	Short Block	1
*	24 782 01	Miniblock	1

* Not Illustrated

Oil Pan/Lubrication



GRP3.PCX

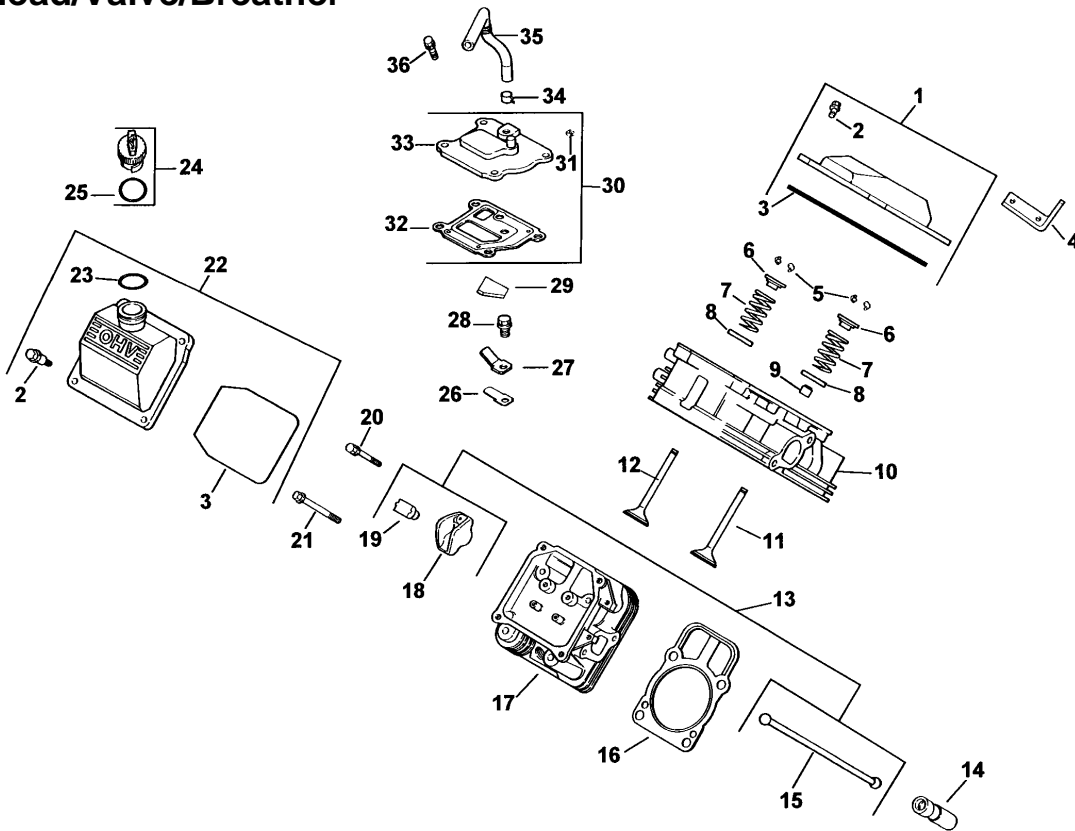
ENGINE KOHLER MODEL CH18S SPEC. NO. 62595 (Cont.)

Ref. No.	Part No.	Description	No. Used
1	24 009 82	Plate Asm - Closure (Incl. #2-12)	1
2	24 038 06	Dipstick	1
3	24 123 08	Tube - Dipstick	1
4	24 043 12	Kit - Governor Gear (Incl. #5)	1
5	12 380 01	Pin - Governor Regulating	1
6	52 448 02	Tab - Locking	1
7	12 144 02	Shaft - Governor Gear	1
8	52 032 08	Seal - Oil	1
9	24 153 08	O-Ring	1
10	24 393 10	Pump Asm - Oil (Incl. #11,12)	1

Ref. No.	Part No.	Description	No. Used
11	24 153 01	O-Ring - Oil Pump	1
12	24 381 04	Pick-Up - Oil	1
13	M-0631005	Washer - Plain	2
14	M-0645025	Screw - Hex. Flange	2
15	52 050 02	Filter - Oil	1
16	24 136 01	Nipple - Oil Filter	1
17	25 155 02	Connector - 90° Hose	1
18	X-75-23	Plug - Allen Head	1
19	24 086 16	Screw - Hex. Flange	10
20	52 099 06	Sw itch - Oil Pressure	1
*	25 113 05	Decal - Oil Sentry	1

* Not Illustrated

Head/Valve/Breather



GRP4.PCX

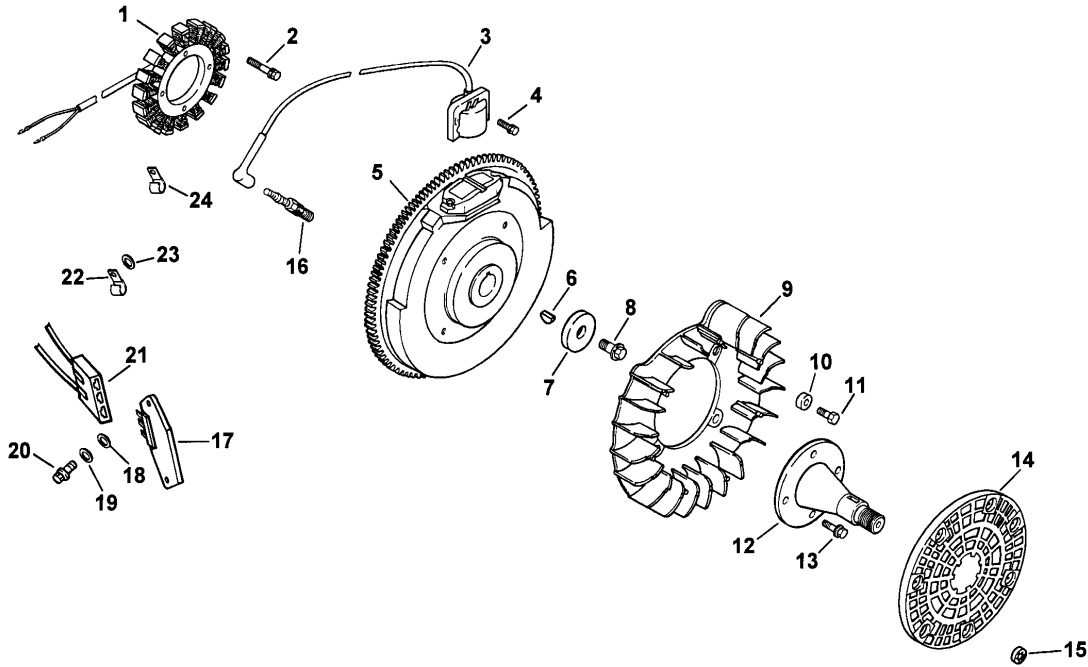
ENGINE KOHLER MODEL CH18S SPEC. NO. 62595 (Cont.)

Ref. No.	Part No.	Description	No. Used
1	24 755 74	Kit - Valve Cover - Plain (Incl. #2-3)	1
2	24 086 32	Screw - Shoulder	4
3	24 153 16	O-Ring	1
4	24 445 01	Strap - Lifting	1
5	12 755 03	Kit - Retainer	4
6	12 173 01	Cap - Valve Spring	4
7	24 089 02	Spring - Valve	4
8	235011	Retainer - Spring	4
9	24 032 05	Seal - Valve Stem	2
10	24 318 09	Head Asm - #1 Cylinder	1
11	24 017 01	Valve - Intake (Std.)	2
*	24 017 02	Valve - Intake (.25)	2
12	24 016 01	Valve - Exhaust (Std.)	2
*	24 016 02	Valve - Exhaust (.25)	2
13	24 755 66	Kit - Valve Train (Incl. #15,18,19)	1
14	12 351 02	Lifter - Valve	4
15	24 411 05	Rod - Push	4
16	24 041 08	Gasket - Cylinder Head	2
17	24 318 10	Head Asm - #2 cylinder	1
18	25 186 01	Arm - Rocker	4

Ref. No.	Part No.	Description	No. Used
19	24 599 01	Pivot - Rocker Arm	4
20	M-0640034	Screw - Hex. Flange	4
21	12 086 16	Screw - Hex. Flange	8
22	24 755 75	Kit - Valve Cover - Oil Fill (Incl. #2,3,23)	1
23	24 153 09	O-Ring	1
24	25 755 13	Kit - Oil Fill Cap (Incl. #25)	1
25	12 153 03	O-Ring - Oil Fill Cap	1
26	24 402 03	Reed - Breather	1
27	12 018 01	Retainer - Reed	1
28	M-0545010	Screw - Hex. Flange	1
29	24 050 01	Filter - Breather	1
30	24 033 01	Kit - Breather Cover w /Gasket (Incl. #31-33)	1
31	X-75-23	Plug - Allen Hd.	1
32	24 041 23	Gasket - Breather	1
33	24 096 02	Cover - Breather	1
34	X-426-9	Clamp - Hose	1
35	24 326 06	Hose - Breather	1
36	M-0645020	Screw - Hex. Flange	4

* Not Illustrated

Ignition/Electrical



GRP5.PCX

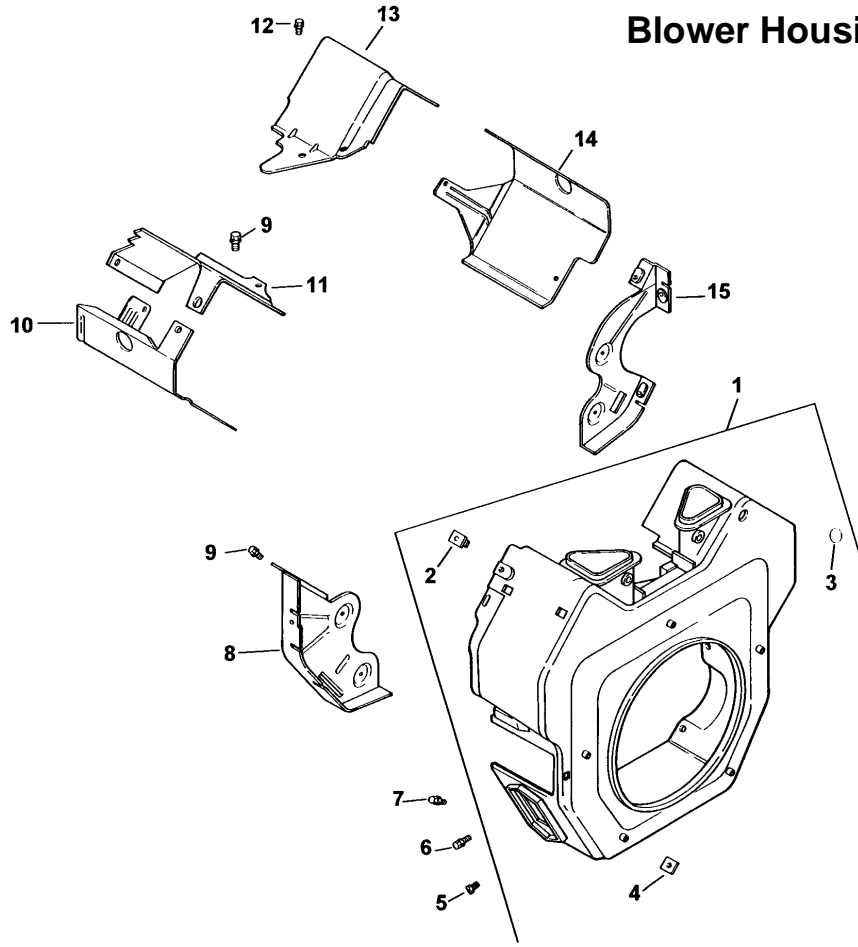
ENGINE KOHLER MODEL CH18S SPEC. NO. 62595 (Cont.)

Ref. No.	Part No.	Description	No. Used
1	54 755 09	Kit - 15 Amp Stator (Incl. 24 176 71 Bracket)	1
2	M-0548025	Screw - Hex. Cap	2
3	24 584 01	Module - Ignition	2
4	M-0545020	Screw - Hex. Flange	4
5	24 025 01	Flywheel	1
6	X-42-15	Key	1
7	12 468 03	Washer - Flywheel Mtg. Screw	1
8	12 086 14	Screw - Hex. Flange	1
9	24 157 01	Fan	1
10	12 112 01	Spacer - Fan	4
11	M-0639016	Screw - Hex. Flange	4
12	24 144 23	Shaft - Front Drive	1
13	M-0839025	Screw - Hex. Flange	4
14	24 162 16	Screen - Grass	1

Ref. No.	Part No.	Description	No. Used
15	24 018 03	Retainer	3
16	24 132 04	Plug - Spark	2
17	25 403 03	Rectifier/Regulator	1
18	X-22-11	Washer - Lock	1
19	X-25-92	Washer - Plain	2
20	24 086 18	Screw - Phillips Head	2
21	236602	Connector	1
22	235173	Clip - Cable	1
23	X-25-63	Washer -Plain	1
24	48 154 02	Clip - Cable	1
*	24 176 51	Harness - Wiring	1
*	25 518 28	Lead - Black (4" - 18 ga.)	1
*	24 176 71	Bracket - Stator Wire	1

* Not Illustrated

Blower Housing & Baffles



GRP6.PCX

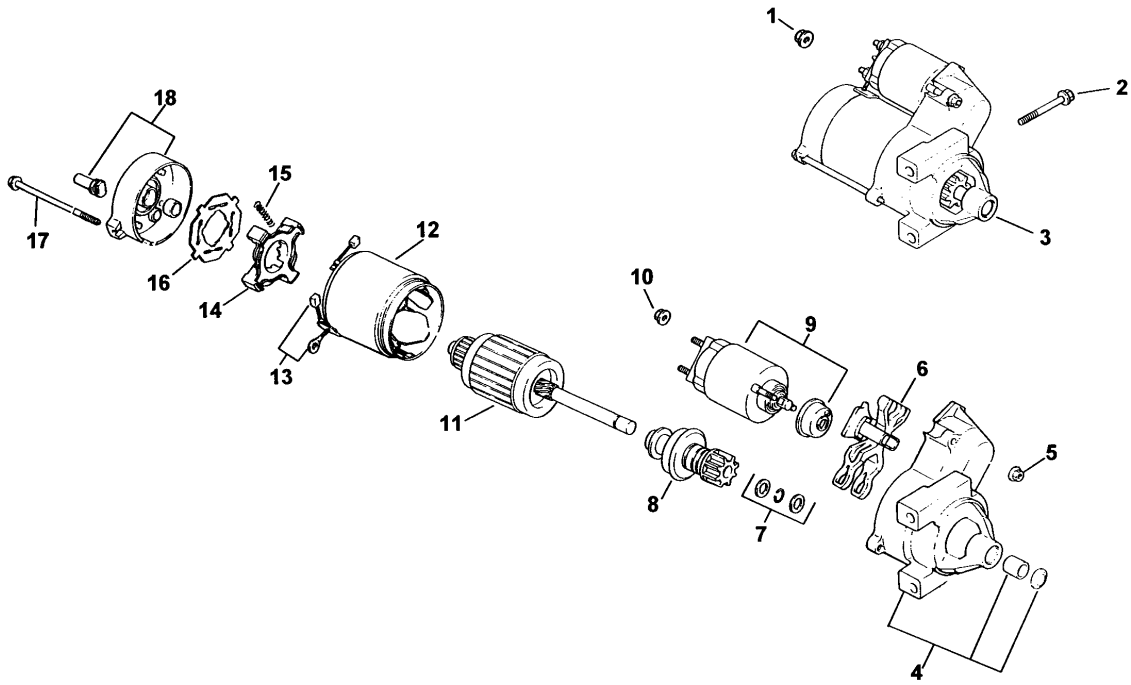
ENGINE KOHLER MODEL CH18S SPEC. NO. 62595 (Cont.)

Ref. No.	Part No.	Description	No. Used
1	24 027 20	Housing - Blower (Incl. #2-4)	1
2	24 100 01	Nut - Plastic	3
3	25 139 16	Plug - Button	1
4	24 100 02	Nut - Plastic	2
5	M-0551016	Screw - Hex. Flange	2
6	M-0545016	Screw - Hex. Flange	5
7	M-0545020	Screw - Hex. Flange	4
8	24 146 02	Plate - Backing (#2 side)	1
9	M-0645016	Screw - Hex. Flange	6

Ref. No.	Part No.	Description	No. Used
10	24 063 20	Baffle - Cylinder Barrel (#2 side)	1
11	24 063 17	Baffle - Valley (#2 side)	1
12	M-0545010	Screw - Hex. Flange	2
13	24 063 24	Baffle - Valley (#1 side)	1
14	24 063 08	Baffle - Cylinder Barrel (#1 side)	1
15	24 146 08	Plate - Backing (#1 side)	1
*	24 113 11	Decal - HP	1

* Not Illustrated

Starting System



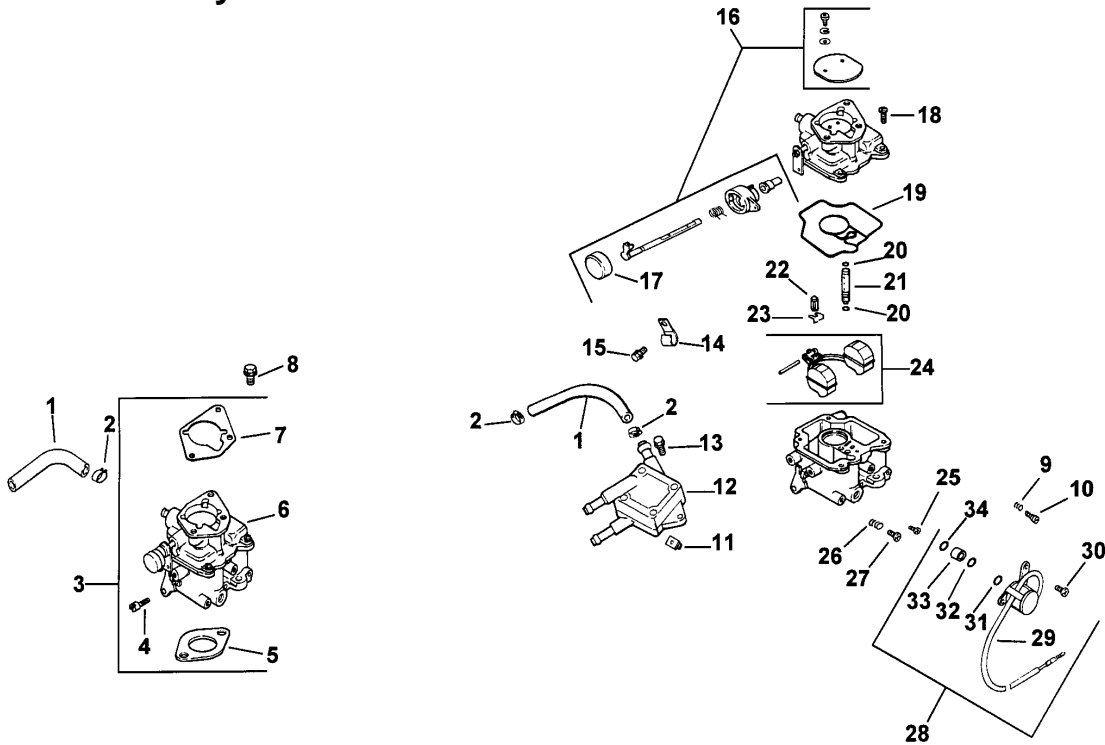
GRP7.PCX

ENGINE KOHLER MODEL CH18S SPEC. NO. 62595 (Cont.)

Ref. No.	Part No.	Description	No. Used
1	M-0839080	Screw - Hex. Flange	2
2	24 098 01	Starter - Solenoid Shift (Incl. #4-18)	1
3	M-0841080	Nut - Hex Flange	1
4	24 081 04	Drive - End Cap	1
5	52 100 10	Nut - Starter	2
6	12 090 10	Lever - Starter Drive	1
7	24 755 84	Kit - Starter Repair	1
8	52 435 02	Solenoid	1
9	52 100 09	Nut - Starter	1

Ref. No.	Part No.	Description	No. Used
10	12 239 01	Drive - Pinion	1
11	12 170 04	Armature - Starter	1
12	12 471 01	Frame	1
13	52 221 01	Kit - Brush & Spring (Incl. #15)	1
14	52 323 03	Holder - Brush	1
15	52 089 09	Spring - Brush	4
16	52 168 01	Insulator	1
17	52 211 05	Bolt - Thru	2
18	24 301 01	Commutator - End Cap	1

Fuel System



GRP8.PCX

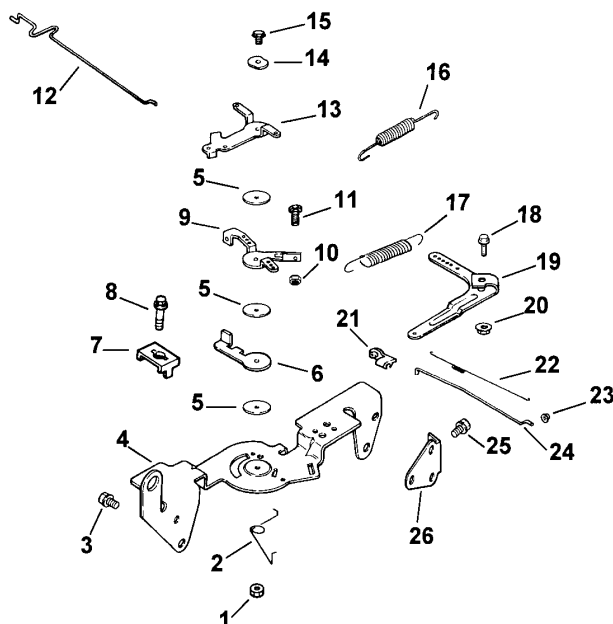
ENGINE KOHLER MODEL CH18S SPEC. NO. 62595 (Cont.)

Ref. No.	Part No.	Description	No. Used
1	25 353 10	Line - Fuel	2
2	X-426-9	Clamp - Hose	6
3	24 853 35	Kit - Carburetor w/Gasket (Incl. #4-7)	1
4	24 086 05	Screw - Throttle Stop	1
5	24 041 17	Gasket - Carburetor	1
6	24 053 32	Carburetor Assembly (Incl. Ref. #9,10,16-34) (For information only, not available separately)	1
7	24 041 06	Gasket - Air Cleaner	1
8	M-0651030	Screw - Hex. Flange	2
9	24 089 11	Spring - Idle Adj.	1
10	24 368 01	Needle - Idle Adj.	1
11	24 100 01	Nut - Plastic	2
12	24 393 04	Pump - Fuel	1
13	24 086 12	Screw - Hex. Cap	2
14	47 154 01	Clip - Cable	1
15	M-0650012	Screw - Hex. Flange	1
16	24 757 07	Kit - Choke Repair (Incl. #17)	1
17	24 173 02	Cap - Choke Lever	1

Ref. No.	Part No.	Description	No. Used
18	24 086 09	Screw - Carburetor Body	2
19	24 041 09	Gasket - Carburetor Body	1
20	24 153 02	O-Ring - Slow Jet	2
21	24 337 01	Jet - Slow	1
22	24 462 01	Valve - Inlet Needle	1
23	24 154 01	Clip - Inlet Needle Valve	1
24	24 757 02	Kit - Float Repair	1
25	24 337 02	Jet - Main	1
26	24 089 10	Spring - Idle Speed Adj.	1
27	24 086 10	Screw - Idle Speed Adj.	1
28	24 757 01	Kit - Solenoid Asm (Incl. #29-34)	1
29	24 435 01	Solenoid	1
30	24 086 07	Screw - Solenoid	1
31	24 153 04	O-Ring - Solenoid	1
32	24 153 05	O-Ring - Solenoid	1
33	24 521 01	Seat - Solenoid	1
34	24 153 06	O-Ring - Solenoid	1
*	24 757 03	Kit - Carburetor Repair	1

* Not Illustrated

Engine Controls



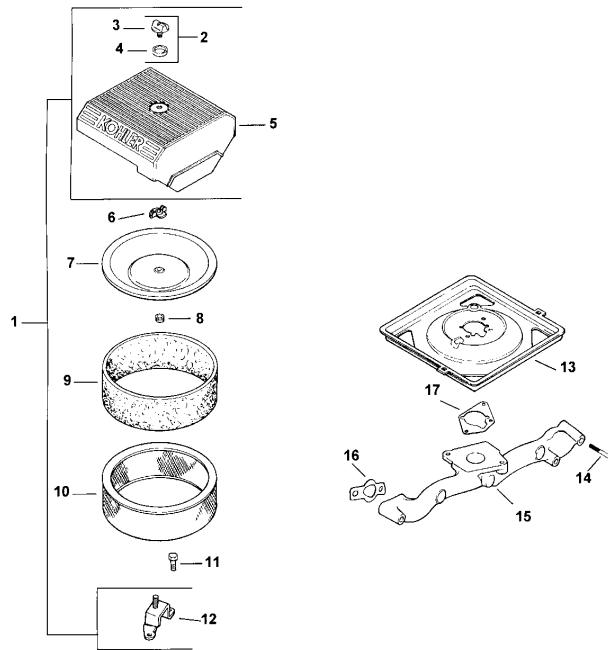
GRP9.PCX

ENGINE KOHLER MODEL CH18S SPEC. NO. 62595 (Cont.)

Ref. No.	Part No.	Description	No. Used
1	M-0547050	Nut - Hex. Flange	1
2	24 089 03	Spring - Choke Return	1
3	M-0645016	Screw - Hex. Flange	4
4	24 126 56	Bracket - Control	1
5	24 468 01	Washer - Plain	3
6	24 090 07	Lever, throttle acutator	1
7	12 237 01	Clamp - Cable	2
8	M-0545016	Screw - Hex. Flange	3
9	24 090 03	Lever - Throttle Control	1
10	M-0446030	Nut - Hex. Flange	1
11	M-0401030	Screw - Hex. Cap	1
12	24 079 02	Linkage - Choke	1
13	24 090 05	Lever - Choke	1

Ref. No.	Part No.	Description	No. Used
14	41 468 03	Washer - Wave	1
15	M-0545020	Screw - Hex. Flange	1
16	24 089 38	Spring - Throttle Limiter	1
17	24 089 18	Spring - Governor	1
18	SM-0642025	Screw - Hex. Flange	1
19	24 090 14	Lever - Governor	1
20	M-0641060	Nut - Hex. Flange	1
21	25 158 11	Bushing - Throttle Linkage	1
22	24 089 01	Spring - Linkage	1
23	25 158 08	Bushing - Linkage Retaining	1
24	24 079 01	Linkage - Throttle	1
25	M-0639010	Screw - Hex. Flange	2
26	24 126 04	Bracket - Support	2

Air Intake



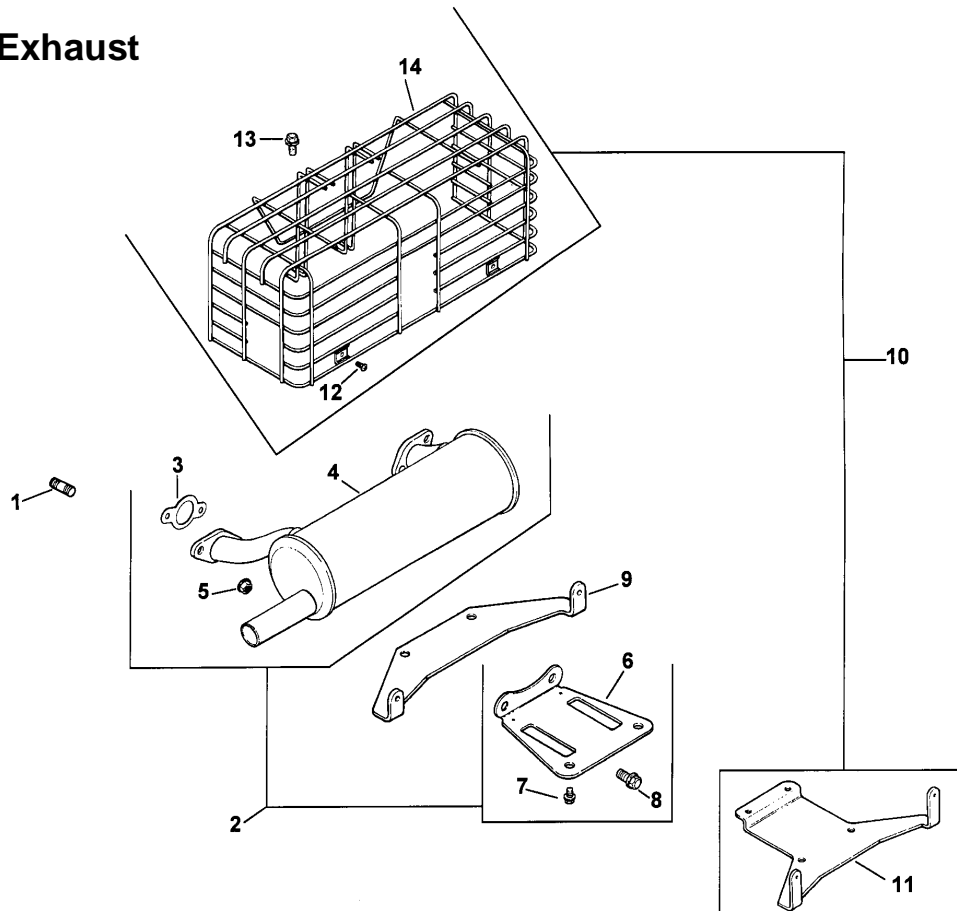
GRP10.PCX

ENGINE KOHLER MODEL CH18S SPEC. NO. 62595 (Cont.)

Ref. No.	Part No.	Description	No. Used
1	24 743 05	Kit - Air Cleaner Cover (Incl. #2-5,12)	1
2	54 755 01	Kit - Knob w /Seal (Incl. #3,4)	1
3	25 341 03	Knob - Cover	1
4	24 153 15	O-Ring	1
5	24 096 24	Cover - Air Cleaner	1
6	12 100 01	Nut - Wing	1
7	24 096 01	Cover - Inner Air Cleaner	1
8	24 032 03	Seal - Air Intake	1

Ref. No.	Part No.	Description	No. Used
9	24 083 02	Element - Precleaner	1
10	47 083 03	Element - Air Cleaner	1
11	M-0639016	Screw - Hex. Flange	3
12	24 126 21	Bracket - Air Cleaner	1
13	24 094 03	Base - Air Cleaner	1
14	M-0651055	Screw - Hex. Flange	4
15	24 164 14	Manifold - Intake	1
16	24 041 01	Gasket - Intake Manifold	2
17	24 041 06	Gasket - Air Cleaner Base	1

Exhaust



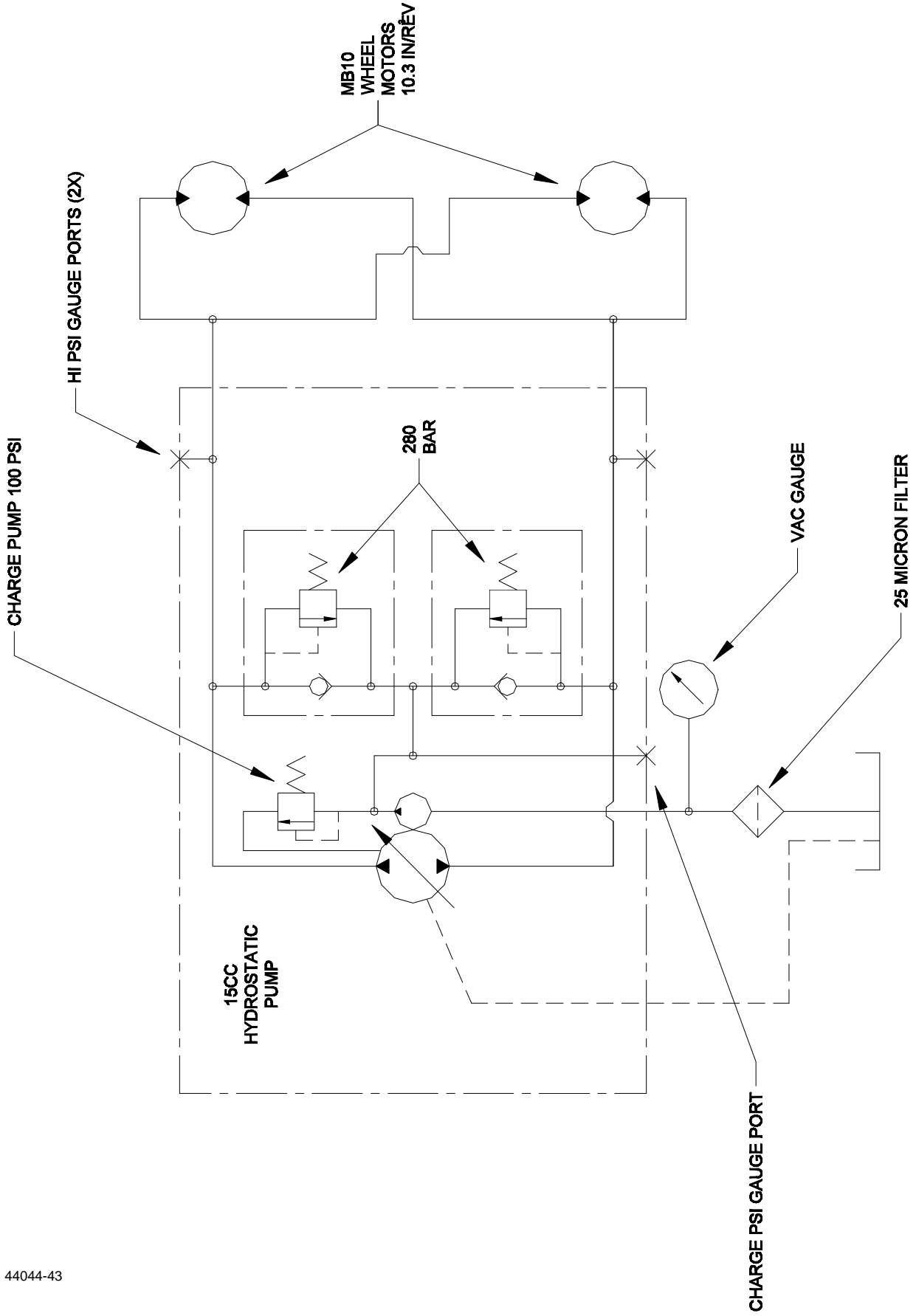
GRP11.PCX

ENGINE KOHLER MODEL CH18S SPEC. NO. 62595 (Cont.)

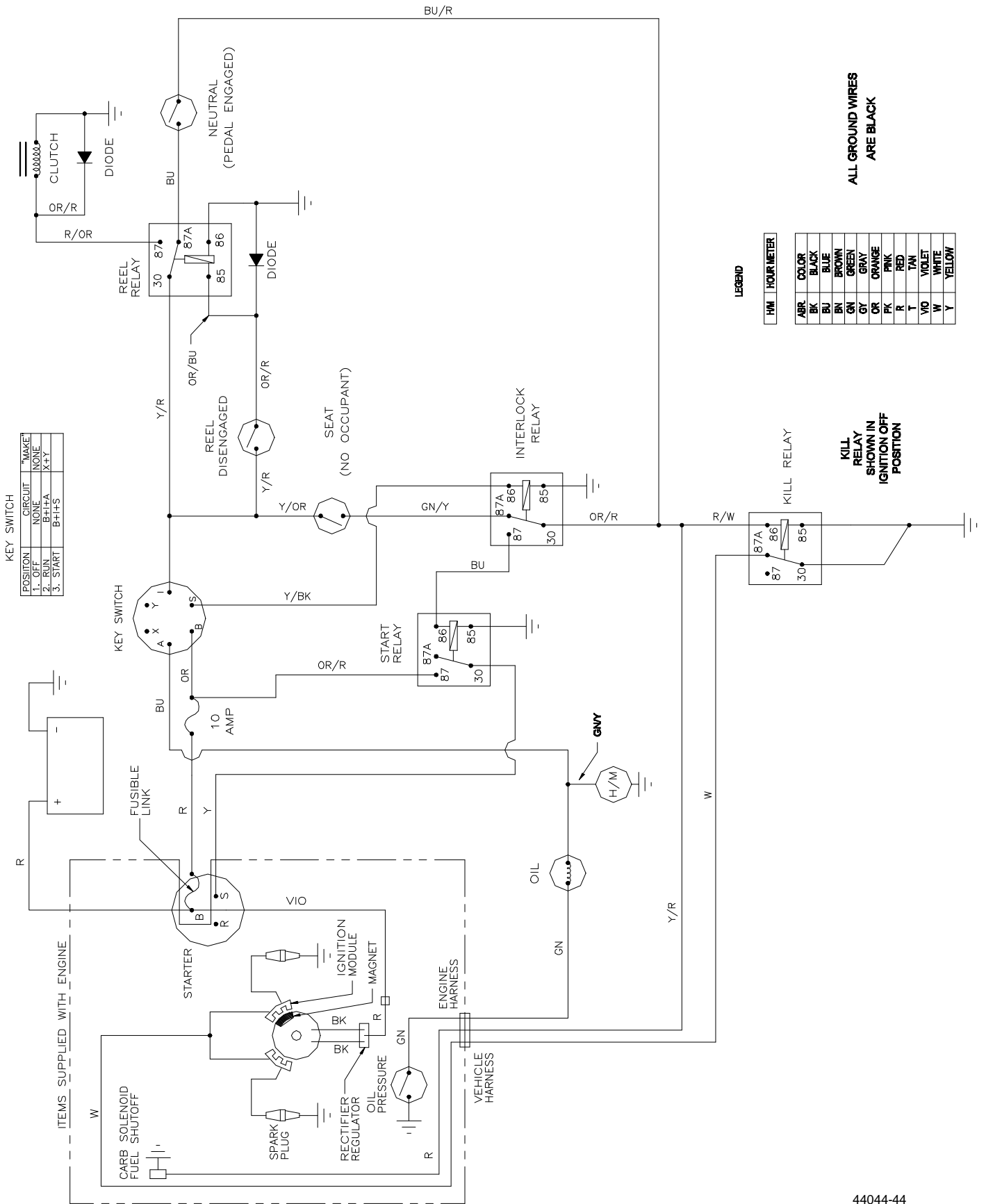
Ref. No.	Part No.	Description	No. Used
1	25 072 04	Stud	4
2	24 786 06	Kit - Low Mount Muffler, #1 Side Outlet (Incl. #3-8)	1
3	24 041 02	Gasket - Exhaust	2
4	24 068 06	Muffler - Low Mount	1
5	M-0841080	Nut - Hex. Flange	4
6	24 126 12	Bracket - Muffler	1
7	M-0650012	Screw - Hex. Flange	2

Ref. No.	Part No.	Description	No. Used
8	M-0839020	Screw - Hex. Flange	2
9	24 126 10	Bracket - Muffler Guard	1
10	24 755 80	Kit - Muffler Guard (Incl. #11-14)	1
11	24 126 48	Bracket - Muffler Guard	1
12	M-0550010	Screw - Hex. Flange	2
13	M-0545016	Screw - Hex. Flange	2
14	24 314 02	Guard - Muffler	1

HYDRAULIC SCHEMATIC



ELECTRICAL SCHEMATIC



TORO PART NUMBER INDEX

Part No.	Description	Pg. No.	Ref. No.	Qty.	Part No.	Description	Pg. No.	Ref. No.	Qty.
----	Fuse, 10A	15	18	1	240-5	Grommet	15	32	1
01-102-0050	Bearing	11	22	1	240-7	Grommet	15	31	2
01-102-0070	Bearing	11	21	1	2411-44	Rod End	8	13	2
01-126-0110	Bushing	20	18	2	2412-105	Clamp - Double Tube	2	10	1
01-161-0090	Rivet - Pop	18	6	7	2412-108	Clamp - Hose	5	25	3
01-163-0030	Screw - Set	10	39	4	2412-129	Clamp - Hose	5	20	2
01-168-1210	Bushing - Machinery	11	14	2	2412-133	R-Clamp	1	27	2
01-168-2810	Bushing - Machinery	8	6	4	2412-39	R-Clamp	15	29	1
01-190-1210	Nut - Castle	11	12	2	2412-34	Clamp - Hose	3	9	1
01-190-1216	Nut - Castle	11	3	1	2412-34	Clamp - Hose	5	6	3
01-201-1080	Fitting - Hydraulic, Barb	5	8	1	2412-73	R-Clamp	2	22	1
01-201-3380	Fitting - Flat Face O-ring	3	5	2	2412-73	R-Clamp	15	21	1
01-201-4680	Fitting - Hydraulic	3	6	1	2412-89	R-Clamp	2	25	2
01-250-0040	Rod End	9	19	2	242-50	Nut - Lug	11	24	5
01-259-0010	Handle Grip	20	16	1	242-50	Nut - Lug	13	2	8
01-261-0330	Spring Danly Steel	9	22	1	25-2380	Plate - Thrust	27	7	1
01-262-0290	Sprocket - Idler	11	17	1	25-2400	Gasket	28	46	1
01-268-0370	Pulley	10	21	1	25-2430	Pin	28	47	1
01-269-0060	Axle Spacer	11	15	2	25-2450	Sw ashplate	27	6	1
01-269-0140	Front Hub	11	6	1	25-2460	Plug	27	19	2
01-269-0320	Tire	11	1	1	25-2470	Kit - Shim	27	23	1
01-269-1810	Wheel	11	25	1	25-2480	Spring	27	2	1
01-269-1820	Tire & Wheel Ass'y	11	*	1	25-2500	Shaft - Trunnion	27	30	1
01-279-0010	Rubber Fingers	8	3	88	25-2510	Washer	27	26	2
01-286-0040	Cap - Grease	11	4	1	25-2630	Ring - Backup	27	34	1
01-405-0370	Seal	11	23	1	25-2690	Housing - Pump, Charge	27	9	1
01-405-0460	Seal	11	27	2	25-3210	Seal - Lip	27	39	2
01-456-0050	Stub	2	14	1	251-259	Bearing	7	7	2
01-506-0080	Decal - Hands & Feet Clear	24	2	2	251-291	Bearing - Pulley	25	8	1
01-506-0090	Decal - Slopes	22	1	1	251-292	Bearing - Field	25	2	1
01-506-0650	Decal - Turf Sweeper 4800	22	9	2	254-78	Bearing	11	28	2
01-650-1100	All Thread - Fine	9	23	1	256-10	Bushing - Flange	9	14	2
10-6821	Brake Drum Ass'y	13	*	2	256-113	Bushing - Flange	7	22	2
10-6850	Drum - Brake	13	7	2	256-155	Bushing	14	7	2
10-6870	Hub - Wheel	13	6	2	256-156	Bushing - Flange	6	4	2
10-8040	Key	12	32	1	256-167	Bushing	12	15	1
17-1620	Bushing - Straight	20	14	4	256-185	Bushing	12	26	1
18-204-1781	Isolator - Rubber	5	18	3	26-3790	Nut - Spindle	13	5	2
18-6380	Pin - Adjusting	7	3	1	27-1960	Hub - Engine	4	2	1
2112-11	Clamp - Muffler	2	28	1	27-2360	Switch - Key	15	22	1
217-60	Rim	13	4	2	27-7310	Decal - Refueling	23	6	1
218-489	Holder - Fuse	15	26	1	2710-11	Master Link #40	11	*	1
23-9740	Cartridge - Oil Filter	5	30	1	28-3310	Bearing - Needle	27	40	2
232-24	Stem - Valve	11	26	1	28-3550	O-Ring	27	22	2
232-24	Stem - Valve	13	3	2	28-3570	O-Ring	28	48	1
233-42	Knob	12	18	1	283-18	Pin - Clevis	16	11	1
233-48	Knob	9	2	1	283-62	Pin - Clevis	13	21	2
237-30	O-Ring	3	13	2	288-10	Pipe Cap	2	11	1
237-65	O-Ring	21	21	12	288-10	Pipe Cap	5	17	1
237-79	O-Ring	3	14	3	289-48	Pipe	2	12	1
237-80	O-Ring	3	15	1	289-51	Nipple - Pipe	5	16	1
237-80	O-Ring	5	31	1	29-6163	Switch - Neutral	7	19	1
237-80	O-Ring	21	20	4	3-6498	Washer - Thrust	7	11	1
237-81	O-Ring	5	32	3	302-60	Fitting - Grease	7	23	1
24-6390	Battery Hold Down Stud	1	22	2	321-2	Capscrew - Hex Hd.	14	15	2
24-6420	Battery Hold Down	1	14	1	321-3	Screw - HH	14	28	2
240-5	Grommet	14	23	1	321-4	Capscrew - Hex Hd.	1	24	7

* Not Illustrated

TORO PART NUMBER INDEX (Continued)

Part No.	Description	Pg. No.	Ref. No.	Qty.	Part No.	Description	Pg. No.	Ref. No.	Qty.
321-4	Capscrew - Hex Hd.	2	21	2	323-7	Capscrew - Hex Hd.	10	34	4
321-4	Capscrew - Hex Hd.	6	6	1	323-7	Capscrew - Hex Hd.	14	19	1
321-4	Capscrew - Hex Hd.	15	1	15	323-8	Capscrew - Hex Hd.	8	11	4
321-5	Capscrew - Hex Hd.	13	13	8	323-8	Capscrew - Hex Hd.	9	10	4
321-9	Capscrew - Hex Hd.	5	1	2	323-9	Capscrew - Hex Hd.	2	9	4
321-9	Capscrew - Hex Hd.	16	10	1	3230-1	Bolt - Carriage	21	17	1
32105-21	Screw - Machine	7	15	2	3230-2	Bolt - Carriage	1	17	10
32105-29	Screw - Machine, SHWH	9	30	2	3230-2	Bolt - Carriage	8	24	4
32105-8	Machine Screw - Hex Hd.	1	13	6	3230-2	Bolt - Carriage	18	1	2
3212-11	Capscrew - Hex Hd.	10	24	1	3230-32	Bolt - Carriage	21	9	4
32120-47	Ring - Retaining	13	23	2	3231-2	Bolt - Carriage	13	22	4
32120-47	Ring - Retaining	16	14	2	3231-2	Bolt - Carriage	19	2	8
32121-111	Pin - Roll	12	30	1	3231-28	Bolt - Carriage	10	35	1
32121-15	Pin - Roll	12	12	2	3231-28	Bolt - Carriage	20	15	6
32121-6	Pin - Roll	4	13	1	3233-1	Bolt - Carriage	20	23	1
32128-20	Nut - Flange Lock	1	5	17	3233-32	Bolt - Carriage	20	20	4
32128-33	Nut - Flange Lock	1	15	6	324-4	Capscrew - Hex Hd.	8	20	4
32128-43	Nut - Flange Lock	1	11	2	324-7	Capscrew - Hex Hd.	8	18	4
32128-43	Nut - Flange Lock	15	14	3	3241-5	Setscrew	4	11	4
32148-6	Insert - Threaded	1	33	4	3245-1	Screw - Set	12	8	2
32148-6	Insert - Threaded	15	23	9	3246-3	Screw - Set	10	40	2
32148-9	Nut - Clinch	8	21	3	325-13	Capscrew - Hex Hd.	13	16	8
32148-9	Insert - Threaded	9	33	3	325-19	Capscrew - Hex Hd.	10	23	1
32151-75	Ring - Retaining	28	45	1	325-4	Capscrew - Hex Hd.	10	16	2
32151-79	Ring - Retaining	27	27	2	325-5	Capscrew - Hex Hd.	9	16	1
3217-5	Nut - Hex	18	3	8	325-7	Capscrew - Hex Hd.	8	15	2
3217-6	Nut - Hex	18	4	4	3253-21	Washer - Lock	9	32	3
3219-5	Nut - Hex	9	20	4	3253-3	Washer - Lock	5	2	2
322-10	Capscrew - Hex Hd.	4	1	4	3253-5	Washer - Lock	9	21	2
322-3	Capscrew - Hex Hd.	1	21	2	3253-5	Washer - Lock	10	29	4
322-4	Capscrew - Hex Hd.	27	20	4	3253-6	Washer - Lock	8	19	8
322-5	Capscrew - Hex Hd.	1	3	7	3253-6	Washer - Lock	10	38	1
322-5	Capscrew - Hex Hd.	2	5	2	3253-7	Washer - Lock	10	17	2
322-5	Capscrew - Hex Hd.	9	26	3	3256-2	Washer - Flat	5	3	2
322-6	Capscrew - Hex Hd.	12	11	7	3256-2	Washer - Flat	18	9	8
322-7	Capscrew - Hex Hd.	4	8	4	3256-22	Washer - SAE	1	8	3
322-8	Capscrew - Hex Hd.	7	9	1	3256-22	Washer - SAE	15	2	10
3220-3	Nut - Jam	9	24	2	3256-23	Washer - SAE	1	4	5
3229-1	Bolt - Carriage	2	24	2	3256-23	Washer - SAE	2	4	3
3229-1	Bolt - Carriage	16	3	3	3256-23	Washer - SAE	4	4	4
3229-1	Bolt - Carriage	18	2	8	3256-23	Washer - SAE	12	5	5
3229-1	Bolt - Carriage	19	8	26	3256-23	Washer - SAE	13	27	2
3229-11	Bolt - Carriage	17	4	22	3256-23	Washer - SAE	16	12	1
3229-2	Bolt - Carriage	6	7	2	3256-23	Washer - SAE	21	19	1
323-10	Capscrew - Hex Hd.	7	13	1	3256-24	Washer - SAE	2	2	3
323-11	Capscrew - Hex Hd.	11	7	4	3256-24	Washer - SAE	5	13	2
323-12	Capscrew - Hex Hd.	27	18	4	3256-24	Washer - SAE	9	11	4
323-4	Capscrew - Hex Hd.	14	12	2	3256-24	Washer - SAE	10	42	12
323-4	Capscrew - Hex Hd.	15	11	3	3256-24	Washer - SAE	12	23	2
323-6	Capscrew - Hex Hd.	1	7	2	3256-24	Washer - SAE	15	10	6
323-6	Capscrew - Hex Hd.	2	1	3	3256-24	Washer - SAE	19	4	8
323-6	Capscrew - Hex Hd.	5	12	2	3256-24	Washer - SAE	20	21	6
323-6	Capscrew - Hex Hd.	9	3	9	3256-25	Washer - SAE	8	26	4
323-6	Capscrew - Hex Hd.	10	28	7	3256-26	Washer - SAE	10	22	2
323-6	Capscrew - Hex Hd.	14	8	2	3256-26	Washer - SAE	20	4	8
323-6	Capscrew - Hex Hd.	15	9	3	3256-27	Washer - Flat	10	14	2
323-7	Capscrew - Hex Hd.	1	30	2	3256-27	Washer - SAE	20	19	4

* Not Illustrated

TORO PART NUMBER INDEX (Continued)

Part No.	Description	Pg. No.	Ref. No.	Qty.	Part No.	Description	Pg. No.	Ref. No.	Qty.
3256-28	Washer - SAE	11	5	1	3296-42	Nut - Lock	2	23	3
3256-3	Washer - Flat	1	18	12	3296-42	Nut - Lock	6	15	1
3256-3	Washer - Flat	18	10	2	3296-42	Nut - Lock	13	18	8
3256-4	Washer - Flat	1	31	4	3296-42	Nut - Lock	15	19	6
3256-4	Washer - Flat	9	7	2	3296-42	Nut - Lock	16	4	1
3256-4	Washer - Flat	14	20	2	3296-43	Nut - Lock	6	9	2
3256-6	Washer - SAE	10	18	2	3296-43	Nut - Lock	14	16	2
3256-7	Washer - SAE	11	19	2	3296-43	Nut - Lock	16	5	3
3257-32	Key - Woodruff	4	14	1	3296-43	Nut - Lock	17	7	22
3257-32	Key - Woodruff	27	42	1	3296-43	Nut - Lock	19	10	26
3257-42	Key - Woodruff	26	17	1	3296-45	Nut - Lock	9	17	1
3269-22	Rivet - Pop	17	2	14	3296-53	Nut - Lock	10	15	2
3269-32	Rivet - Pop	2	17	2	3296-53	Nut - Lock	11	20	1
3269-4	Rivet - Pop	15	5	4	3296-53	Nut - Lock	20	3	4
327-14	Capscrew - Hex Hd.	10	41	1	3296-54	Nut - Lock	9	31	2
327-16	Capscrew - Hex Hd.	10	9	1	3296-6	Nut - Lock	25	9	3
327-6	Capscrew - Hex Hd.	11	18	1	3296-9	Nut - Lock	7	20	2
3272-10	Pin - Cotter	12	25	1	33-4380	Hub - Pump	4	9	1
3272-10	Pin - Cotter	13	24	2	33103-012	Screw - Flange, Hex Hd.	2	15	2
3272-15	Pin - Cotter	11	2	1	33104-020	Screw - Flange, Hex Hd.	2	20	1
3272-16	Pin - Cotter	12	31	1	340-17	Fitting - Hydraulic	21	11	4
3272-23	Pin - Cotter	11	13	2	340-19	Tee - Hydraulic	21	14	2
3272-9	Pin - Cotter	16	13	1	351-78	Edging - Seat	14	25	1
3274-12	Screw - Socket	14	18	4	351-80	Clip - Edging	14	17	1
3274-5	Screw - Hex Socket Hd.	3	1	2	354-73	Fitting - Hydraulic, Barb	5	7	2
3290-134	Machine Screw - Hex Hd.	15	4	6	44-2230	Coupling - Rubber	4	7	4
3290-410	Tie - Push Mount	15	17	2	44-8310	Ring - Retaining	25	3	2
3290-467	Pin - Hair	14	11	1	44-8320	Spring	25	10	3
3290-477	Washer - Curved	16	8	1	44-8330	Spacer - Bearing, Pulley	25	6	1
3296-2	Nut - Lock	15	8	6	44-8350	Asm - Field	25	1	1
3296-23	Nut - Lock	3	8	2	44-8360	Field Coil & Bearing	25	4	1
3296-23	Nut - Lock	8	16	2	47-2890	Bushing	20	5	8
3296-23	Nut - Lock	10	30	1	48-1800	Kit - Cylinder Block	27	4	1
3296-23	Nut - Lock	13	20	8	49-2040	Screw - Flange Hex Hd.	7	2	3
3296-29	Nut - Lock	1	26	4	49-5880	Shaft - Seat Support	14	10	1
3296-29	Nut - Lock	2	6	2	49-8510	Kit - Charge Relief	27	3	1
3296-29	Nut - Lock	4	5	8	5-4916	Key	4	12	1
3296-29	Nut - Lock	7	4	2	5-4916	Key	10	2	4
3296-29	Nut - Lock	8	25	4	53-4420	Decal - Gas	23	5	1
3296-29	Nut - Lock	9	27	3	55-7290	Battery - Dry	1	23	1
3296-29	Nut - Lock	12	21	7	58-6520	Decal - Grease	24	1	5
3296-29	Nut - Lock	14	6	4	62-4040	Fuel Tank	5	10	1
3296-29	Nut - Lock	20	9	2	63-8360	Key - Ignition, w/Shield	15	30	1
3296-29	Nut - Lock	21	4	4	66-2630	Latch Seat	14	14	1
3296-39	Nut - Lock	1	32	2	66-2950	Hour Meter	15	27	1
3296-39	Nut - Lock	2	7	7	66-6140	Decal - Toro	22	7	2
3296-39	Nut - Lock	5	15	2	66-9290	Suspension Spacer	14	4	4
3296-39	Nut - Lock	7	16	1	67-5360	Decal - Danger	23	11	1
3296-39	Nut - Lock	8	12	4	67-5360	Decal - Danger	24	4	2
3296-39	Nut - Lock	9	4	12	67-7320	Decal - Logo	23	10	1
3296-39	Nut - Lock	10	43	5	67-7920	Decal - Logo (Lg)	22	8	1
3296-39	Nut - Lock	11	29	4	67-8050	Bearing - Needle	28	50	1
3296-39	Nut - Lock	13	26	4	67-8080	Bearing - Roller	27	15	1
3296-39	Nut - Lock	14	13	5	69-3840	O-Ring	27	33	1
3296-39	Nut - Lock	19	5	8	70-1480	Relay - Sealed, w/Brkt.	15	20	4
3296-39	Nut - Lock	20	1	14	70-8040	Washer - SAE	10	25	1
3296-4	Nut - Lock	7	14	1	70-9840	Shoe - Brake	13	9	4

* Not Illustrated

TORO PART NUMBER INDEX (Continued)

Part No.	Description	Pg. No.	Ref. No.	Qty.	Part No.	Description	Pg. No.	Ref. No.	Qty.
70-9850	Clip - Retaining	13	15	2	92-4676	Mount - Cable	6	10	1
70-9860	Cam - Brake	13	11	2	92-4679	Plate - Hydrostat, Reinf.	3	7	1
70-9870	Plate - Backing	13	12	2	92-4694	Panel - Control	15	7	1
70-9880	Spring - Return	13	10	4	92-4698	Mount - Cable, Brake	13	25	2
71-1500	Brake Ass'y	13	*	2	92-4699	Cable - Traction	6	8	1
71-4400	Driveshaft WA	4	6	1	92-6280	Seat Assembly	14	1	1
71-4410	Spacer, thick	4	3	4	92-6282	Sw itch - Seat	14	27	1
71-4411	Spacer, thin	4	10	4	92-6533	Seat Cushion Kit	14	24	1
74-0720	Manual Tube	1	28	1	92-6534	Shell - Seat	14	26	1
74-9100	Pad - Forw ard	6	1	1	92-8777	O-Ring	27	13	2
74-9110	Pad - Reverse	6	2	1	92-9199	Motor - Hydraulic	13	19	2
75-0140	Spring	27	29	2	92-9761	Link - Drive	26	13	7
75-0160	Plug - Pipe	27	35	2	92-9762	Screw - Cap Hex Hd.	26	14	1
75-0170	Plug	27	5	2	92-9763	Rotor Set	26	*	1
75-0240	O-Ring	27	25	2	93-0312	Washer	27	16	1
75-5470	Spacer	7	6	1	93-4133	Seal - Lip	27	11	1
76-0810	Housing Assembly	26	*	1	94-3996	Ring - Retaining	27	41	1
76-0840	Manifold	26	22	1	94-8178	Seal Kit	26	*	1
76-0850	Bearing - Thrust	26	12	1	95-0008	Wheel - Yoke WA	11	10	1
76-0860	Shaft - Coupling	26	11	1	95-0009	Mount - Brake LH	16	2	1
76-0870	Plate - Wear	26	18	1	95-0010	Mount - Brake RH	16	1	1
76-0880	Commutator Assembly	26	*	1	95-0013	Tank - Hydraulic	5	14	1
76-0940	End Cover Assembly	26	24	1	95-0025	Cable - Brake, RH	13	28	1
76-8640	Stud - Traction	7	10	1	95-0156	Pump - Variable, Sundstrand	3	2	1
80-7400	Lever	13	14	2	95-0165	Plate-Seat Front	1	6	1
80-9350	Plate - Hot Surface	2	18	1	95-0172	Mount - Battery	1	25	1
82-4600	Decal - Hydro Drive	22	2	2	95-0177	Tire - Tubeless	13	1	2
83-3880	Pin - Coiled, Spring	27	28	4	95-0179	Reel Lift Rod WA	9	12	1
83-7260	Cone - Relief, Charge	28	49	1	95-0186	Cap - End, Panel	15	6	2
84-2000	Bracket - Brake	13	17	2	95-0225	Axle-Front	11	11	1
85-6540	Stud - Drive	13	8	8	95-0231	Hood - Screen	19	6	1
85-7490	Decal - Warning	24	6	2	95-0234	Deflector - Bottom Hopper	17	8	1
85-8300	Lever - Pump	7	17	1	95-0238	Hopper WA	17	1	1
85-8460	Sw itch Arm Assembly	7	5	1	95-0240	Deflector - Top Hopper	17	3	1
85-8461	Sw itch Arm WA	7	*	1	95-0247	Hinge - Door	19	3	4
85-8860	Decal - Eccentric Bolt	7	21	1	95-0249	Door - Hopper WA	19	1	1
85-8930	Retainer - Boot	12	27	1	95-0250	Hood WA	19	9	1
85-9030	Spring - Extension	7	12	1	95-0253	Screen - Clamp	19	7	1
85-9120	Spacer	7	8	1	95-0263	Tube - Asm	21	7	1
85-9120	Spacer - Tilt Pivot	12	17	2	95-0264	Tube - Asm	21	6	1
85-9150	Plate - Sw itch	7	18	1	95-0267	Mount - Oil Filter	5	4	1
85-9200	Steering Knuckle	12	13	1	95-0269	Plate - Cover	15	3	1
85-9220	Shaft - Steering, Upper	12	14	1	95-0272	Bushing - UHMW	9	5	4
87-2710	Lever Brake	16	6	1	95-0275	Ball - Stud	20	11	4
87-3480	Bracket - Equalizer, Cable	16	9	1	95-0276	Bushing - Rubber	21	16	4
87-4710	Spacer - Parking, Brake	16	7	1	95-0277	Bracket - Tube	21	15	4
87-6020	Decal - Parking Brake	23	8	1	95-0281	Filter Head	5	5	1
87-6620	Screw - Special	12	2	4	95-0286	Control Ass'y - Choke	15	16	1
87-8580	Light - Indicator	15	24	1	95-0287	Cable - Brake, LH	13	*	1
88-8160	Plate - Valve	27	43	1	95-0293	Tire Ass'y	13	*	2
88-8180	Shaft - Trunnion	27	17	1	95-0313	Link - Door, Low er	20	2	2
88-8210	Plug	27	21	1	95-0315	Link - Lift, LH	20	10	1
88-8220	Valve - Bypass	27	38	1	95-0316	Link - Door, Upper	20	8	2
88-8950	Decal - Warning	22	3	2	95-0322	Door Lift WA	20	17	1
88-8950	Decal - Warning	24	3	1	95-0329	Cover - Top	15	13	1
92-2344	Trunnion	9	6	2	95-0334	Gauge - Vacuum	3	4	1
92-4372	R-Clamp	21	18	1	95-0347	Neutral Plate WA	7	1	1

* Not Illustrated

TORO PART NUMBER INDEX (Continued)

Part No.	Description	Pg. No.	Ref. No.	Qty.	Part No.	Description	Pg. No.	Ref. No.	Qty.
95-0352	Bracket - Door, Lift RH	20	*	1	95-4793	Plate - Clamp	21	8	1
95-0370	Decal - Throttle	23	3	1	95-4794	Clamp - Tw in	21	5	1
95-0371	Decal - Choke	23	4	1	95-4795	Plate - Clamp	21	3	1
95-0379	Bracket - Pivot, Seat	14	9	1	95-4796	Chain w /Master Link	11	16	1
95-0383	Decal - Oil Light	23	1	1	95-4797	Exhaust - Outlet, 90°	2	27	1
95-0384	Decal - Fuse	23	2	1	95-4798	Spring - Tilt	12	24	1
95-0387	Decal - Operating Instructions	22	4	1	95-4801	Hose - Fuel	5	26	1
95-0388	Decal - Operating, Hopper	22	5	1	95-4802	Skirt - Rubber	18	7	1
95-0389	Decal - Operation, Starting	23	9	1	95-4803	Bar - Reinforcement	18	8	1
95-0390	Decal - Operation, Reels	23	7	1	95-4808	Traction Pin WA	6	5	1
95-0393	Link - Lift, RH	20	*	1	95-4813	Bushing	12	10	1
95-0395	Access Cover Mount WA	1	2	1	95-4814	Baffle - Hopper Inlet, Upper	17	5	1
95-0398	Tread - Floorboard	22	6	1	95-4815	Baffle - Hopper Inlet, Lower	17	6	1
95-4702	Reel Lift Handle WA	9	18	1	95-4816	Control Ass'y - Throttle	15	15	1
95-4708	Traction Pedal WA	6	3	1	95-4818	Filter Head Asm	5	*	1
95-4709	Bar - Support, Access Cover	1	16	2	95-4822	All Thread	8	14	2
95-4714	Boot - Steering	12	28	1	95-4824	Fitting, 45°	2	13	1
95-4717	Floor Board Riser WA	1	10	1	95-4827	Cable - Pos.	2	26	1
95-4721	Bushing - Straight	6	14	1	95-4828	Cable - Neg.	2	19	1
95-4727	Clevis - Pedal, Traction	6	11	1	95-4829	Plate - Reinforcement	19	11	4
95-4728	Clevis	6	13	1	95-4833	Edging - Rubber	1	19	1
95-4729	Sprocket - Steering	11	8	1	95-4850	Cover - Tank, Gas	2	3	1
95-4731	U-Bolt	6	12	1	95-4855	Guard - Hydrostat	1	9	1
95-4732	Steering Bracket WA	12	22	1	95-4856	Guard - Heat	2	16	1
95-4736	Shaft - Lever, Lift	12	19	1	95-4857	Bolt - Shoulder	20	6	8
95-4737	Rod End - Lever, Lift	12	16	1	95-4859	Cap - Hydraulic	5	29	1
95-4738	Sprocket - Adj, Tilt	12	20	1	95-4860	Hose - Fuel	5	27	1
95-4739	Housing - Steering	12	4	1	95-4873	Washer - Lock	6	17	1
95-4744	Steering Bracket	12	*	1	95-4874	Nut - Jam	6	16	2
95-4745	Steering Housing	12	*	1	95-4879	Latch - Draw , Flexible	1	12	2
95-4746	Steering Cover Ass'y	12	1	1	95-4888	Bracket - Reel Lift	9	9	1
95-4753	Hose - Hydraulic	21	10	4	95-4891	Pivot - Lift, Lever	9	15	1
95-4754	Hose - Hydraulic	3	11	1	95-4893	Ring - Retaining, External	9	25	1
95-4754	Hose - Hydraulic	21	2	1	95-4894	Prop - Seat, Weldment	14	22	1
95-4755	Hose - Hydraulic	3	12	1	95-4896	Washer - Nylon	10	36	2
95-4755	Hose - Hydraulic	21	1	1	95-4896	Washer - Nylon	14	21	2
95-4761	Stop - Steering	1	20	1	95-4897	Cap - End	27	1	3
95-4763	Adjuster - Seat	14	2	1	95-4898	Asm - Housing, Variable	27	8	1
95-4764	Adjuster - Seat, Handle	14	3	1	95-4899	Shaft	27	12	1
95-4765	Plug - Hole	15	25	4	95-4900	Plug	27	24	2
95-4766	Fuel Cap Ass'y	5	9	1	95-4901	Valve - SCR	27	37	2
95-4767	Bracket - Door, Lift LH	20	7	1	95-4902	Spring - Gas	20	12	2
95-4769	Knob - Clamping	20	22	1	95-4903	O-Ring	27	36	2
95-4774	Tube - Drain, Case	5	22	1	95-4904	O-Ring	27	14	1
95-4775	Hose - Hydraulic	3	10	1	95-4907	Engine Assy - Kohler, 18hp	2	8	1
95-4775	Hose - Hydraulic	5	24	1	95-4909	Seat Plate WA	14	5	1
95-4776	Hose - Hydraulic	5	23	1	95-4911	Access Cover	15	12	1
95-4777	Hose - Hydraulic	5	21	1	95-4912	Bracket - Clutch	10	19	1
95-4778	Fitting - Hydraulic, Barb	3	3	1	95-4913	Reel Spindle, Welded	8	5	2
95-4779	Fitting - Hydraulic	5	19	1	95-4923	Main Frame WA	1	1	1
95-4781	PL - Sup., Hopper Str.	20	13	2	95-4934	Front Reel WA	8	2	1
95-4782	Bushing	9	8	2	95-4936	Rear Reel WA	8	1	1
95-4784	Plate - Stop, Linkage	1	29	1	95-5809	Bearing - Ball	27	10	1
95-4788	Sponge - Neoprene	18	5	1	95-5812	Asm - Gerotor	27	44	1
95-4789	Sponge - Neoprene	5	11	2	98-1459	Decal - Toro	12	3	1
95-4791	Clamp - Tw in	21	12	1	98-1468	Cover - Wheel, Steering	12	6	1
95-4792	Plate - Clamp	21	13	1	98-1470	Wheel - Steering, Soft	12	29	1

* Not Illustrated

TORO PART NUMBER INDEX (Continued)

Part No.	Description	Pg. No.	Ref. No.	Qty.	Part No.	Description	Pg. No.	Ref. No.	Qty.
98-4132	Switch	9	29	1	98-8864	Reel Gate Ass'y	9	1	1
98-5308	Clutch - Electric, Asm	10	26	1	98-8865	Plate - Sw itch	9	13	1
98-5333	Armature & Pulley Asm	25	5	1	98-8866	Bracket - Sw itch	9	28	1
98-5334	Collar - Bearing	25	7	1	98-8867	Belt - Poly-V,K	10	5	1
98-5351	Pulley - Drive(Large)	10	4	1	98-8868	Belt - Poly-V,K	10	6	1
98-8529	Grommet	10	37	1	98-8870	Shaft - Steering, Lower	12	9	1
98-8850	Plate - Adj. Arm	10	8	1	98-8871	Sprocket - Steering	12	7	1
98-8851	Pulley - Front	10	3	1	98-8872	Bearing - Flange	8	10	2
98-8852	Pulley - Idler	10	7	2	98-8873	Bearing - Flange	8	4	2
98-8853	Pulley - Drive(Small)	10	1	1	98-8874	Harness - Wire	15	28	1
98-8854	Bearing	10	13	4	98-8878	Deflector - Rubber	8	22	1
98-8855	Bracket - Upper Guard	10	33	1	98-8879	Plate - Backing	8	23	1
98-8856	Bushing - Oilight	8	7	2	98-8880	Decal - Routing, Belt	24	5	1
98-8858	Retaining Ring	8	9	2	98-8881	Guard - Upper, Welded	10	32	1
98-8859	Ring - Retaining	10	12	4	98-8882	RH Reel Plate	8	17	1
98-8860	Spacer - Clutch	10	27	1	98-8883	LH Reel Plate	8	8	1
98-8861	Spacer - Idler	10	20	1	98-8884	Guard - Lower, Welded	10	31	1
98-8862	Spacer - Idler	10	11	1	98-8895	Spacer - Sprocket	11	9	4
98-8863	Spacer - Idler	10	10	1					

* Not Illustrated

KOHLER PART NUMBER INDEX

Part No.	Description	Pg. No.	Ref. No.	Qty.	Part No.	Description	Pg. No.	Ref. No.	Qty.
235011	Retainer - Spring	31	8	4	24 063 17	Baffle - Valley (#2 side)	33	11	1
235173	Clip - Cable	32	22	1	24 063 20	Baffle - Cylinder Barrel (#2 side)	33	10	1
236602	Connector	32	21	1	24 063 24	Baffle - Valley (#1 side)	33	13	1
12 018 01	Retainer - Reed	31	27	1	24 067 09	Rod - Connecting (Std.)	29	5	2
12 032 01	Seal - Governor Cross Shaft	29	13	1	24 067 10	Rod - Connecting (.25)	29	*	2
12 086 14	Screw - Hex. Flange	32	8	1	24 068 06	Muffler - Low Mount	38	4	1
12 086 16	Screw - Hex. Flange	31	21	8	24 079 01	Linkage - Throttle	36	24	1
12 090 10	Lever - Starter Drive	34	6	1	24 079 02	Linkage - Choke	36	12	1
12 100 01	Nut - Wing	37	6	1	24 081 04	Drive - End Cap	34	4	1
12 112 01	Spacer - Fan	32	10	4	24 083 02	Element - Precleaner	37	9	1
12 144 02	Shaft - Governor Gear	30	7	1	24 086 05	Screw - Throttle Stop	35	4	1
12 153 03	O-Ring - Oil Fill Cap	31	25	1	24 086 07	Screw - Solenoid	35	30	1
12 170 04	Armature - Starter	34	11	1	24 086 09	Screw - Carburetor Body	35	18	2
12 173 01	Cap - Valve Spring	31	6	4	24 086 10	Screw - Idle Speed Adj.	35	27	1
12 237 01	Clamp - Cable	36	7	2	24 086 12	Screw - Hex. Cap	35	13	2
12 239 01	Drive - Pinion	34	10	1	24 086 16	Screw - Hex. Flange	30	19	10
12 351 02	Lifter - Valve	31	14	4	24 086 18	Screw - Phillips Head	32	20	2
12 380 01	Pin - Governor Regulating	30	5	1	24 086 32	Screw - Shoulder	31	2	4
12 380 04	Pin - Hitch	29	11	1	24 089 01	Spring - Linkage	36	22	1
12 380 17	Pin - Dow el Locating	29	4	6	24 089 02	Spring - Valve	31	7	4
12 422 07	Shim - Camshaft	29	*	A/R	24 089 03	Spring - Choke Return	36	2	1
12 422 08	Shim - Camshaft	29	*	A/R	24 089 10	Spring - Idle Speed Adj.	35	26	1
12 422 09	Shim - Camshaft	29	9	A/R	24 089 11	Spring - Idle Adj.	35	9	1
12 422 10	Shim - Camshaft	29	*	A/R	24 089 18	Spring - Governor	36	17	1
12 422 11	Shim - Camshaft	29	*	A/R	24 089 38	Spring - Throttle Limiter	36	16	1
12 422 12	Shim - Camshaft	29	*	A/R	24 090 03	Lever - Throttle Control	36	9	1
12 422 13	Shim - Camshaft	29	*	A/R	24 090 05	Lever - Choke	36	13	1
12 468 03	Washer - Flyw heel Mtg. Screw	32	7	1	24 090 07	Lever, throttle acuator	36	6	1
12 471 01	Frame	34	12	1	24 090 14	Lever - Governor	36	19	1
12 755 03	Kit - Retainer	31	5	4	24 094 03	Base - Air Cleaner	37	13	1
24 009 82	Plate Asm - Closure	30	1	1	24 096 01	Cover - Inner Air Cleaner	37	7	1
24 012 05	Camshaft	29	10	1	24 096 02	Cover - Breather	31	33	1
24 014 84	Crankshaft	29	17	1	24 096 24	Cover - Air Cleaner	37	5	1
24 016 01	Valve - Exhaust (Std.)	31	12	2	24 098 01	Starter - Solenoid Shift	34	2	1
24 016 02	Valve - Exhaust (.25)	31	*	2	24 100 01	Nut - Plastic	33	2	3
24 017 01	Valve - Intake (Std.)	31	11	2	24 100 01	Nut - Plastic	35	11	2
24 017 02	Valve - Intake (.25)	31	*	2	24 100 02	Nut - Plastic	33	4	2
24 018 01	Retainer - Piston Pin	29	7	4	24 108 01	Ring Set (Std.)	29	8	2
24 018 03	Retainer	32	15	3	24 108 02	Ring Set (.25)	29	*	2
24 025 01	Flyw heel	32	5	1	24 108 03	Ring Set (.50)	29	*	2
24 027 20	Housing - Blow er	33	1	1	24 113 11	Decal - HP	33	*	1
24 032 01	Seal - Oil Front	29	3	1	24 123 08	Tube - Dipstick	30	3	1
24 032 03	Seal - Air Intake	37	8	1	24 126 04	Bracket - Support	36	26	2
24 032 05	Seal - Valve Stem	31	9	2	24 126 10	Bracket - Muffler Guard	38	9	1
24 033 01	Kit - Breather Cover w/Gasket	31	30	1	24 126 12	Bracket - Muffler	38	6	1
24 038 06	Dipstick	30	2	1	24 126 21	Bracket - Air Cleaner	37	12	1
24 041 01	Gasket - Intake Manifold	37	16	2	24 126 48	Bracket - Muffler Guard	38	11	1
24 041 02	Gasket - Exhaust	38	3	2	24 126 56	Bracket - Control	36	4	1
24 041 06	Gasket - Air Cleaner	35	7	1	24 132 04	Plug - Spark	32	16	2
24 041 06	Gasket - Air Cleaner Base	37	17	1	24 136 01	Nipple - Oil Filter	30	16	1
24 041 08	Gasket - Cylinder Head	31	16	2	24 144 01	Shaft - Governor Cross	29	15	1
24 041 09	Gasket - Carburetor Body	35	19	1	24 144 23	Shaft - Front Drive	32	12	1
24 041 17	Gasket - Carburetor	35	5	1	24 146 02	Plate - Backing (#2 side)	33	8	1
24 041 23	Gasket - Breather	31	32	1	24 146 08	Plate - Backing (#1 side)	33	15	1
24 043 12	Kit - Governor Gear	30	4	1	24 153 01	O-Ring - Oil Pump	30	11	1
24 050 01	Filter - Breather	31	29	1	24 153 02	O-Ring - Slow Jet	35	20	2
24 053 32	Carburetor Assembly	35	6	1	24 153 04	O-Ring - Solenoid	35	31	1
24 063 08	Baffle - Cylinder Barrel (#1 side)	33	14	1	24 153 05	O-Ring - Solenoid	35	32	1

* Not Illustrated

KOHLER PART NUMBER INDEX (Continued)

Part No.	Description	Pg. No.	Ref. No.	Qty.	Part No.	Description	Pg. No.	Ref. No.	Qty.
24 153 06	O-Ring - Solenoid	35	34	1	25 341 03	Knob - Cover	37	3	1
24 153 08	O-Ring	30	9	1	25 353 10	Line - Fuel	35	1	2
24 153 09	O-Ring	31	23	1	25 403 03	Rectifier/Regulator	32	17	1
24 153 15	O-Ring	37	4	1	25 518 28	Lead - Black	32	*	1
24 153 16	O-Ring	31	3	1	25 755 13	Kit - Oil Fill Cap	31	24	1
24 154 01	Clip - Inlet Needle Valve	35	23	1	41 468 03	Washer - Wave	36	14	1
24 157 01	Fan	32	9	1	47 083 03	Element - Air Cleaner	37	10	1
24 162 16	Screen - Grass	32	14	1	47 154 01	Clip - Cable	35	14	1
24 164 14	Manifold - Intake	37	15	1	48 154 02	Clip - Cable	32	24	1
24 173 02	Cap - Choke Lever	35	17	1	52 032 08	Seal - Oil	30	8	1
24 176 51	Harness - Wiring	32	*	1	52 050 02	Filter - Oil	30	15	1
24 176 71	Bracket - Stator Wire	32	*	1	52 089 09	Spring - Brush	34	15	4
24 301 01	Commutator - End Cap	34	18	1	52 099 06	Sw itch - Oil Pressure	30	20	1
24 314 02	Guard - Muffler	38	14	1	52 100 09	Nut - Starter	34	9	1
24 318 09	Head Asm - #1 Cylinder	31	10	1	52 100 10	Nut - Starter	34	5	2
24 318 10	Head Asm - #2 cylinder	31	17	1	52 139 02	Plug - Hex. Head	29	2	2
24 326 06	Hose - Breather	31	35	1	52 139 09	Plug - Cup	29	16	2
24 337 01	Jet - Slow	35	21	1	52 168 01	Insulator	34	16	1
24 337 02	Jet - Main	35	25	1	52 211 05	Bolt - Thru	34	17	2
24 368 01	Needle - Idle Adj.	35	10	1	52 221 01	Kit - Brush & Spring	34	13	1
24 381 04	Pick-Up - Oil	30	12	1	52 323 03	Holder - Brush	34	14	1
24 393 04	Pump - Fuel	35	12	1	52 435 02	Solenoid	34	8	1
24 393 10	Pump Asm - Oil	30	10	1	52 448 02	Tab - Locking	30	6	1
24 402 03	Reed - Breather	31	26	1	54 755 01	Kit - Knob w /Seal	37	2	1
24 411 05	Rod - Push	31	15	4	54 755 09	Kit - 15 Amp Stator	32	1	1
24 435 01	Solenoid	35	29	1	M-0401030	Screw - Hex. Cap	36	11	1
24 445 01	Strap - Lifting	31	4	1	M-0446030	Nut - Hex. Flange	36	10	1
24 462 01	Valve - Inlet Needle	35	22	1	M-0545010	Screw - Hex. Flange	31	28	1
24 468 01	Washer - Plain	36	5	3	M-0545010	Screw - Hex. Flange	33	12	2
24 521 01	Seat - Solenoid	35	33	1	M-0545016	Screw - Hex. Flange	33	6	5
24 522 01	Short Block	29	*	1	M-0545016	Screw - Hex. Flange	36	8	3
24 584 01	Module - Ignition	32	3	2	M-0545016	Screw - Hex. Flange	38	13	2
24 599 01	Pivot - Rocker Arm	31	19	4	M-0545020	Screw - Hex. Flange	32	4	4
24 743 05	Kit - Air Cleaner Cover	37	1	1	M-0545020	Screw - Hex. Flange	33	7	4
24 755 03	Gasket Set	29	*	1	M-0545020	Screw - Hex. Flange	36	15	1
24 755 66	Kit - Valve Train	31	13	1	M-0547050	Nut - Hex. Flange	36	1	1
24 755 74	Kit - Valve Cover - Plain	31	1	1	M-0548025	Screw - Hex. Cap	32	2	2
24 755 75	Kit - Valve Cover - Oil Fill	31	22	1	M-0550010	Screw - Hex. Flange	38	12	2
24 755 80	Kit - Muffler Guard	38	10	1	M-0551016	Screw - Hex. Flange	33	5	2
24 755 84	Kit - Starter Repair	34	7	1	M-0631005	Washer - Plain	29	12	1
24 757 01	Kit - Solenoid Asm	35	28	1	M-0631005	Washer - Plain	30	13	2
24 757 02	Kit - Float Repair	35	24	1	M-0639010	Screw - Hex. Flange	36	25	2
24 757 03	Kit - Carburetor Repair	35	*	1	M-0639016	Screw - Hex. Flange	32	11	4
24 757 07	Kit - Choke Repair	35	16	1	M-0639016	Screw - Hex. Flange	37	11	3
24 782 01	Miniblock	29	*	1	M-0640034	Screw - Hex. Flange	31	20	4
24 786 06	Kit - Low Mount Muffler, #1 Side Outlet	38	2	1	M-0641060	Nut - Hex. Flange	36	20	1
					M-0645016	Screw - Hex. Flange	33	9	6
24 853 35	Kit - Carburetor w /Gasket	35	3	1	M-0645016	Screw - Hex. Flange	36	3	4
24 874 01	Piston w /Ring set (Std.)	29	6	2	M-0645020	Screw - Hex. Flange	31	36	4
24 874 02	Piston w /Ring set (.25)	29	*	2	M-0645025	Screw - Hex. Flange	30	14	2
24 874 03	Piston w /Ring set (.50)	29	*	2	M-0650012	Screw - Hex. Flange	35	15	1
25 072 04	Stud	38	1	4	M-0650012	Screw - Hex. Flange	38	7	2
25 113 05	Decal - Oil Sentry	30	*	1	M-0651030	Screw - Hex. Flange	35	8	2
25 139 16	Plug - Button	33	3	1	M-0651055	Screw - Hex. Flange	37	14	4
25 155 02	Connector - 90° Hose	30	17	1	M-0839020	Screw - Hex. Flange	38	8	2
25 158 08	Bushing - Linkage Retaining	36	23	1	M-0839025	Screw - Hex. Flange	32	13	4
25 158 11	Bushing - Throttle Linkage	36	21	1	M-0839080	Screw - Hex. Flange	34	1	2
25 186 01	Arm - Rocker	31	18	4	M-0841080	Nut - Hex Flange	34	3	1

* Not Illustrated

KOHLER PART NUMBER INDEX (Continued)

Part No.	Description	Pg. No.	Ref. No.	Qty.	Part No.	Description	Pg. No.	Ref. No.	Qty.
M-0841080	Nut - Hex. Flange	38	5	4	X-42-15	Key	32	6	1
SM-0642025	Screw - Hex. Flange	36	18	1	X-426-9	Clamp - Hose	31	34	1
X-22-11	Washer - Lock	32	18	1	X-426-9	Clamp - Hose	35	2	6
X-25-102	Washer - Plain	29	14	1	X-75-23	Plug - Allen Head	30	18	1
X-25-63	Washer - Plain	32	23	1	X-75-23	Plug - Allen Hd.	31	31	1
X-25-92	Washer - Plain	32	19	2					

PRODUCT CHANGES

In an effort to make improvements available to TORO owners as quickly as possible minor changes are incorporated into Toro's products from time to time that do not become immediately shown in the Parts Catalog. If such a change has been made in your unit which is not reflected in your manual see your TORO Distributor or an Authorized Service Dealer for information and part numbers.

IDENTIFICATION & ORDERING

MODEL AND NUMBERS

The Turf Sweeper 4800 has two identification numbers; a model number and a serial number. The two numbers are stamped on a plate which is located on the main frame. In any correspondence concerning the Turf Sweeper 4800, supply model and serial numbers to assure that correct information and replacement parts are obtained.

To order replacement parts from your TORO Distributor or an Authorized Service Dealer, supply the following information:

1. Model and serial number of the unit.
2. Part number description and the quantity of part (s) desired.

NOTE: Do not order by reference number if a parts catalog is being used: use the PART NUMBER.

TABLE OF CONTENTS

Description	Page	Description	Page
Main Frame Assembly	1	Hopper Assembly	17
Engine Mounting	2	Hopper Mounting	18
Pump Assembly	3	Door Assembly	19
Dive Shaft - Pump	4	Door Lift Assembly	20
Hydraulic Reservoir & Fuel Tank	5	Hydraulic Tubes & Hoses	21
Traction Control	6	Decals	22 - 24
Neutral Return Assembly	7	Clutch Assembly - No. 98-5308	25
Reel Assembly	8	Hydraulic Motor Assembly - No. 92-9199	26
Reel Lift Assembly	9	Hydraulic Pump Assembly - No. 95-0156 ...	27 - 28
Belt Drive & Clutch Assembly	10	Engine Kohler Model CH18S -	
Yoke Assembly	11	Spec. No. 62595	29 - 38
Tilt Assembly	12	Hydraulic Schematic	39
Wheel & Brake Assembly	13	Electrical Schematic	40
Seat Assembly	14	Toro Part Number Index	41 - 46
Control Panel Assembly	15	Kohler Part Number Index	47 - 49
Parking Brake Assembly	16		

NOTES

