



Count on it.

Parts Catalog

PT-36PP

Power Trowel

Model No. 68049—Serial No. 404320000 and Up



Ordering Replacement Parts

To order replacement parts, please supply the part number, the quantity, and the description of each part desired.

Understanding Reference Numbers

Each identified part in an illustration has a reference number. The reference number for a part also appears in the parts list, along with other information about the part.

This catalog uses two special reference number formats, one to indicate parts in a service assembly and another to indicate the quantity of a given part in an illustration.

Service Assembly Reference Numbers

Parts in service assemblies have reference numbers in the form a:b. The a represents the reference number of the entire service assembly and the b represents a sequential number unique to each part within the service assembly.

For example, a wheel assembly might be identified by reference number 6, the tire by 6:1, the valve by 6:2, and the wheel by 6:3. When you order the assembly identified by reference number 6, you receive all parts identified by reference numbers 6:1, 6:2, and 6:3. However, you may also order any part individually. Reference numbers of this type appear in illustration and in parts lists.

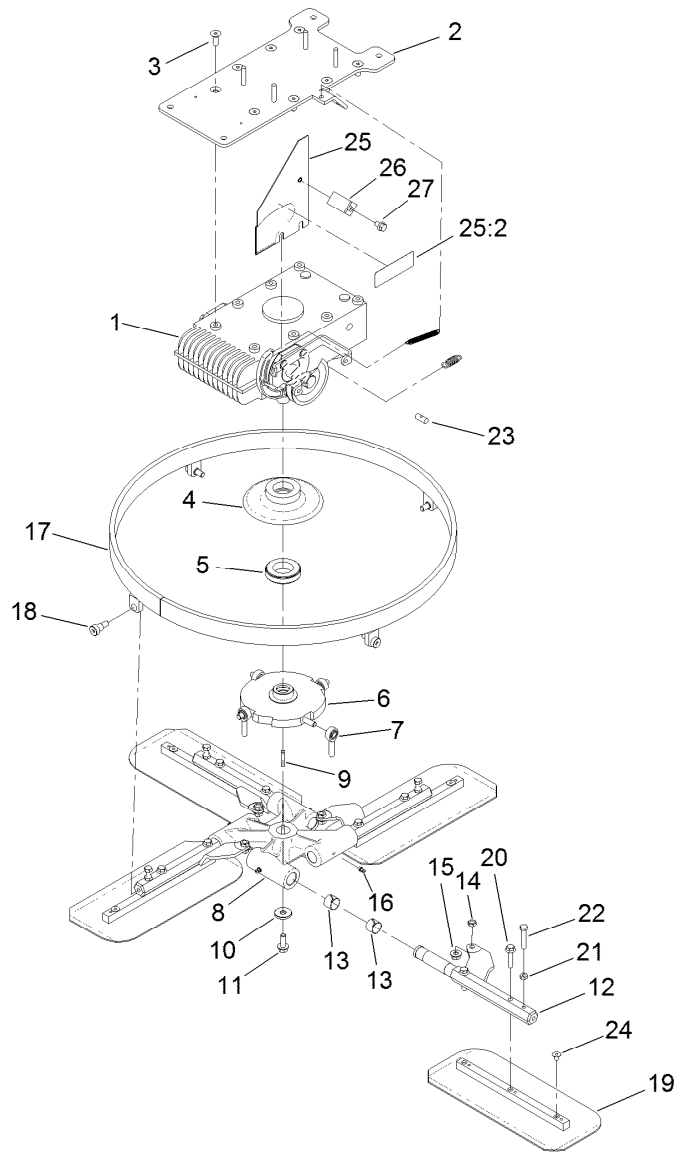
Reference Numbers Indicating Quantity

In an illustration, if a reference number indicates more than one part, the reference number has the form nX y. The n represents the quantity of the part, the X is the multiplication symbol, and the y represents the reference number.

For example, in an illustration, the reference number 2X 37 means that two of the parts identified by reference number 37 are indicated.

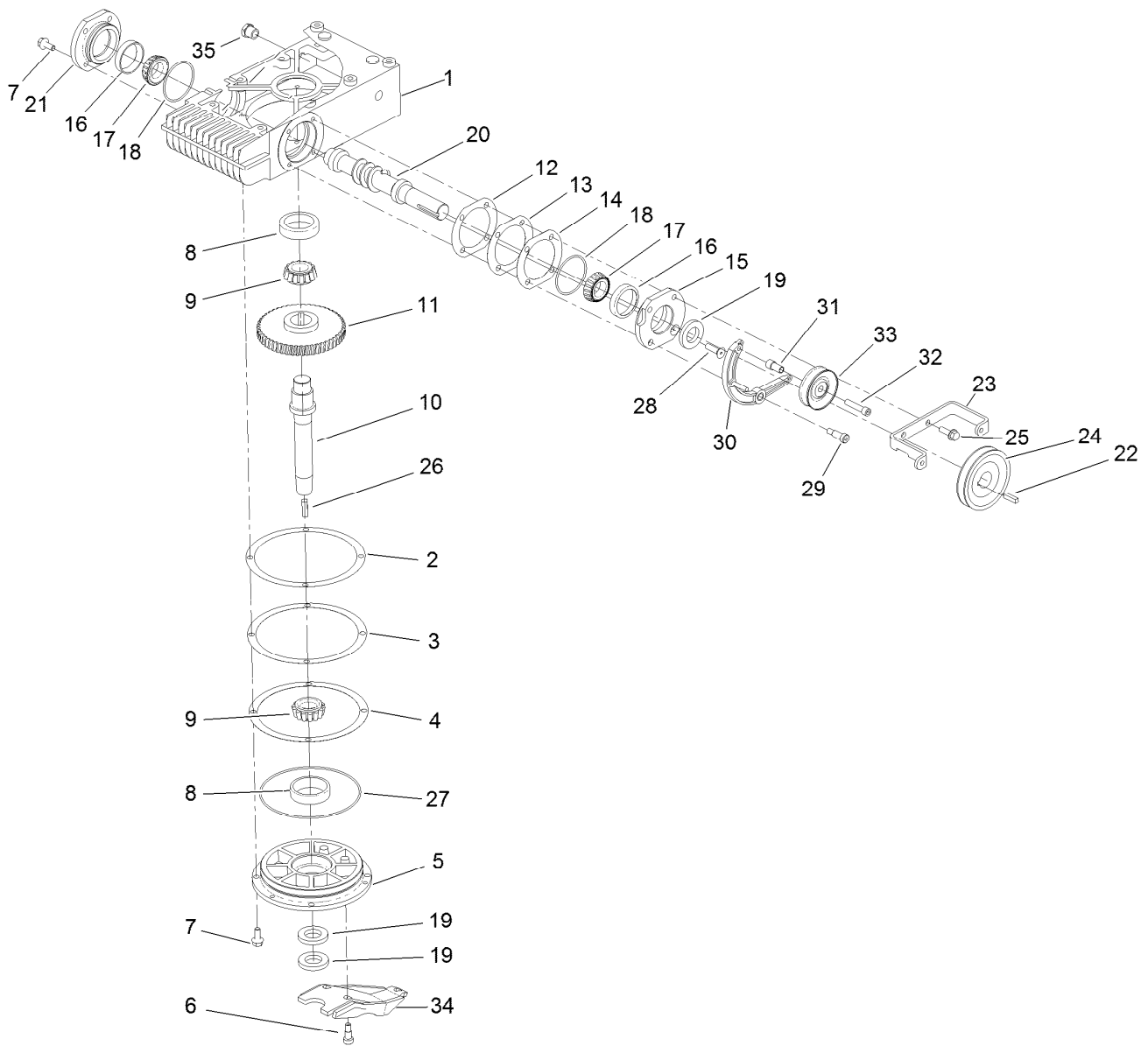
Contents

36 Inch Rotating Ring, Blade and Gearbox Assembly	4
Gearbox Assembly No. 125-4991	5
36 Inch Pro-Pitch Handle and Guard Assembly	6
Pro-Pitch Handle Assembly No. 125-6200.....	7
Pro-Pitch Handle Assembly No. 125-6200 Handle Locking Guide Assembly	8
Engine Assembly	9



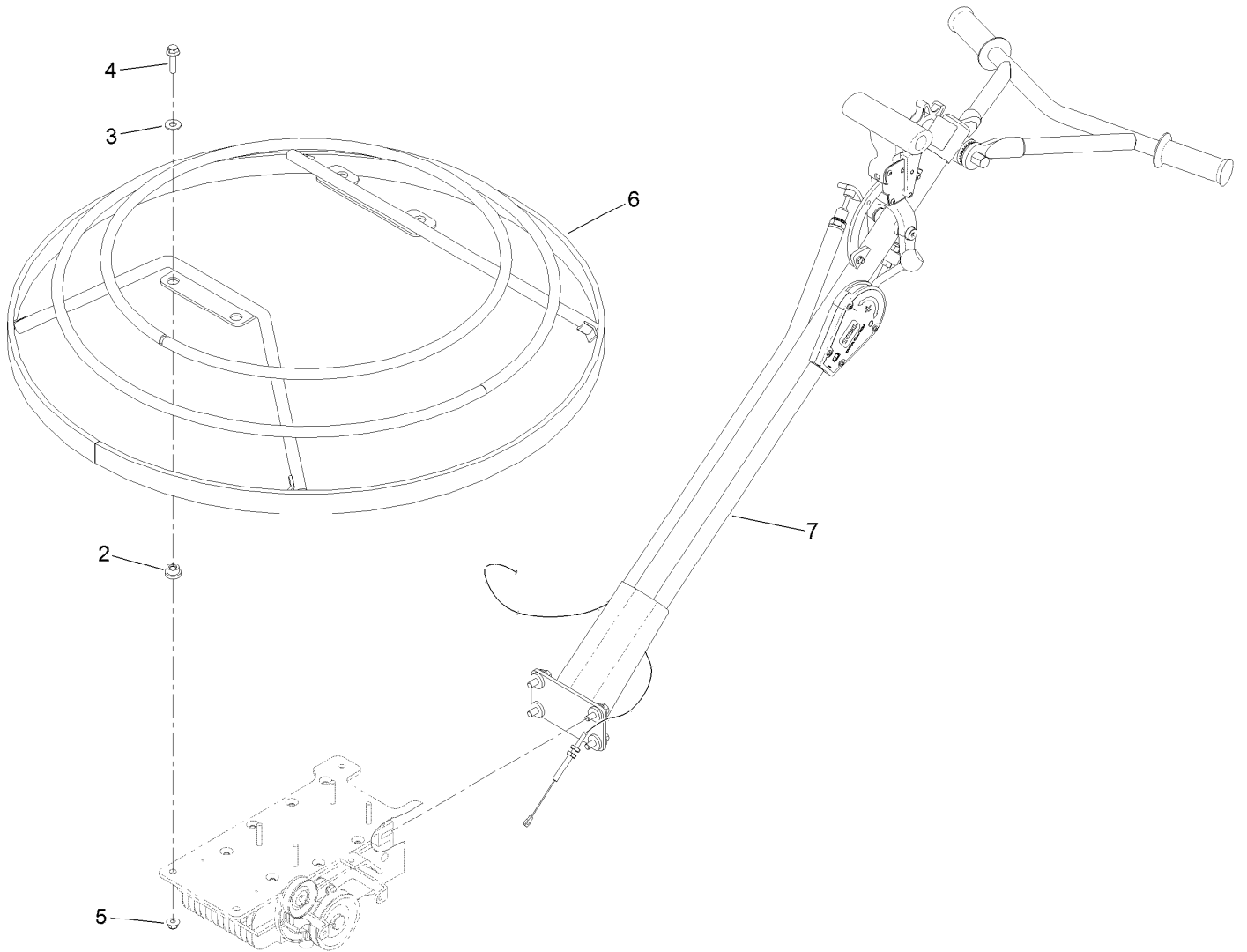
36 Inch Rotating Ring, Blade and Gearbox Assembly

<i>Ref.</i>	<i>Part Number</i>	<i>Qty.</i>	<i>Description</i>	<i>Ref.</i>	<i>Part Number</i>	<i>Qty.</i>	<i>Description</i>
1	125-4991	1	Gearbox ASM	15	127-6852	4	Nut-Flange, Lock
2	125-6246	1	Engine Base Assembly Pt-36	16	ST46042	4	Fitting-Grease
3	ST80068	8	Screw	17	ST22171-01	1	Rotating-Ring
4	ST22200-01	1	Cover-Plate, Thrust	18	ST80066	4	Screw-HSBH
5	ST32123	1	Bearing-Ball	19	125-4992	4	Blade-Combination
6	ST21684	1	Plate-Tilt	20	115-1794	8	Screw-HHF
7	2411-36	4	Bearing-End, Rod	21	3218-2	4	Nut-Jam
8	ST28283	1	Spider-4 Arm	22	322-41	4	Screw-HH
9	79-3370	1	Key	23	ST28022	1	Rod-Pivot, Cable
10	ST28435	1	Washer-Flat	24	ST47183	4	Carplug-Red
11	3234-42	1	Screw-HHF	25	127-2802	1	Rear Belt Guard ASM
12	ST22183-03	4	Arm	25:2	117-4979	1	Decal-Warning
13	ST32180	8	Bushing-Sleeve, Nylon	26	ST28431-01	1	Guide-Belt
14	3220-3	4	Nut-HJ	27	100-1719	1	Screw-Flange



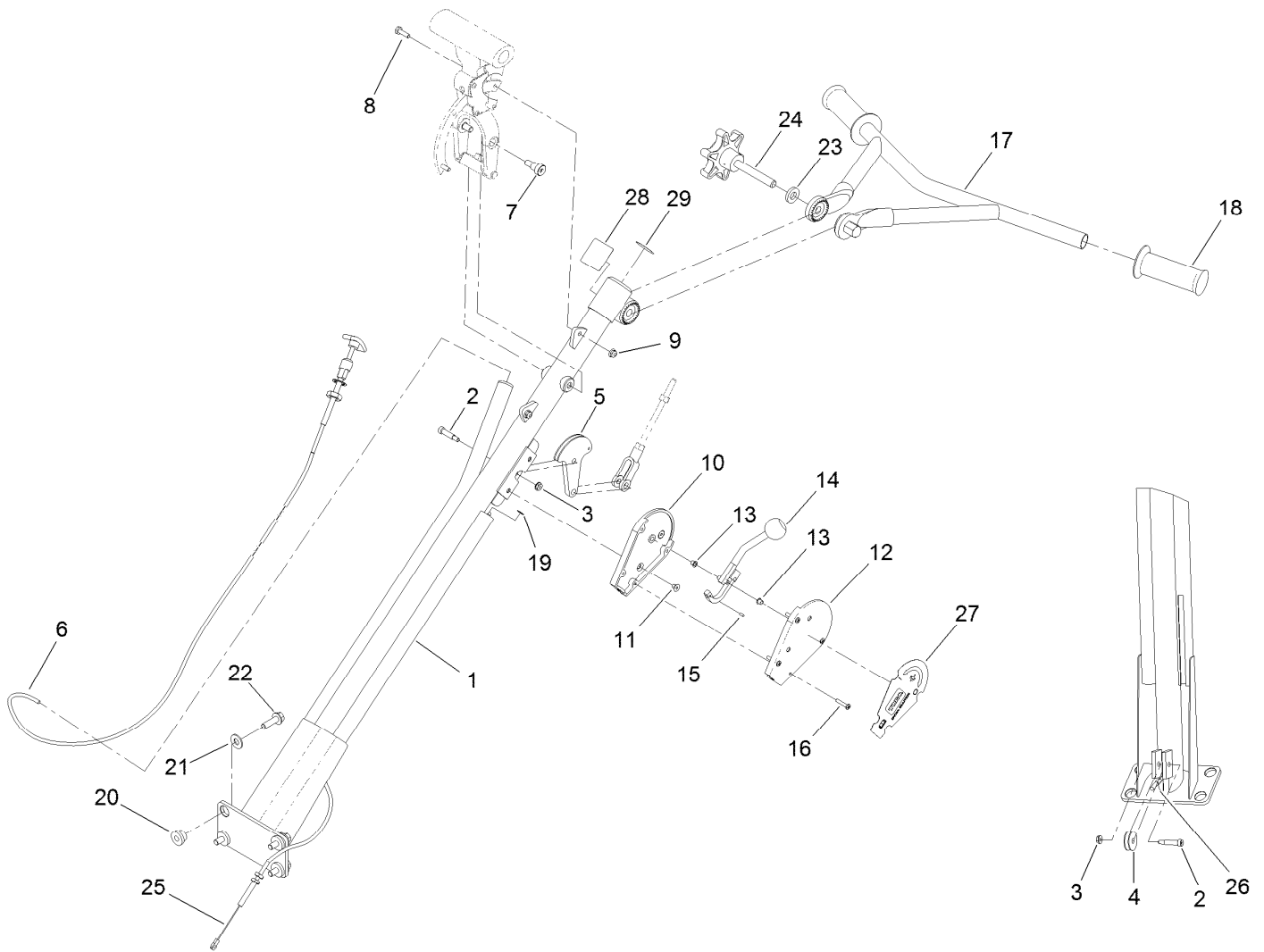
Gearbox Assembly No. 125-4991

<i>Ref.</i>	<i>Part Number</i>	<i>Qty.</i>	<i>Description</i>	<i>Ref.</i>	<i>Part Number</i>	<i>Qty.</i>	<i>Description</i>
1	ST39547	1	Gearcase	16	254-72	2	Bearing-Cup, Tapered
2	ST47333	3	Shim-Cover, Bottom (.001 Inch)	17	254-94	2	Bearing-Cone, Tapered
3	ST47334	1	Shim-Cover, Bottom (.005 Inch)	18	400-0261	2	O-Ring
4	ST47335	5	Shim-Cover, Bottom (.010 Inch)	19	ST39014	3	Seal-Shaft
5	ST42720	1	Cap-Bearing, Bottom	20	ST42712	1	Shaft-Input
6	ST80285	2	Screw-HSBH	21	ST42719	1	Cover-Bearing, Blind End
7	3234-47	8	Screw-HHF	22	5-7280	1	Key
8	127-5561	2	Bearing-Cup	23	ST42787-01	1	Bracket-Guard, Belt
9	127-5560	2	Bearing-Cone	24	ST34835	1	Sheave
10	ST42715	1	Shaft-Output	25	3234-17	2	Screw-HHF
11	ST39009	1	Gear-Worm	26	ST80744	1	Key-Hardened
12	ST47336	3	Shim-Cover, Side (.001 Inch)	27	ST32272	1	O-Ring
13	ST47337	1	Shim-Cover, Side (.005 Inch)	28	ST80105	1	Screw
14	ST47338	5	Shim-Cover, Side (.010 Inch)	29	119-6915	1	Screw-Shoulder, HSH
15	ST42718	1	Cover-Bearing, Sheave End	30	127-1662	1	Clutch Lever ASM
				31	127-7628	1	Spacer-Idler, Trowel
				32	3274-83	1	Screw-HSH
				33	127-7629	1	Idler-V, Trowel
				34	125-8707-01	1	Lever-Tilt
				35	ST34096	1	Plug-Sight, Oil



36 Inch Pro-Pitch Handle and Guard Assembly

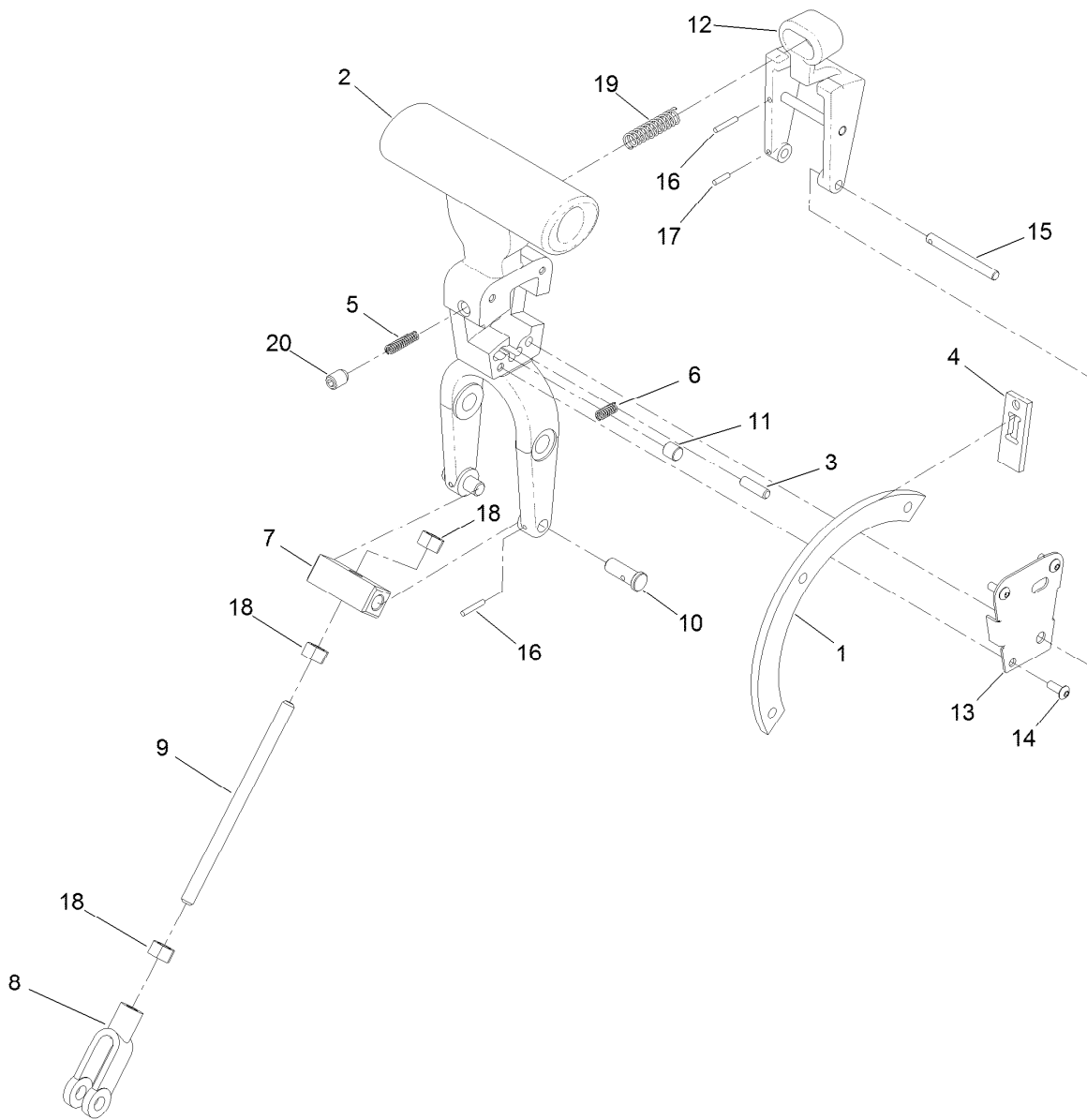
<i>Ref.</i>	<i>Part Number</i>	<i>Qty.</i>	<i>Description</i>
2	ST47355	4	Mount-Shock
3	3256-4	4	Washer-Flat
4	114-4681	4	Screw-HHF
5	104-8301	4	Nut-HF, NI
6	127-2803-01	1	Guard-Stationary
7	125-6200	1	Pro-Pitch Handle ASM



Pro-Pitch Handle Assembly No. 125-6200

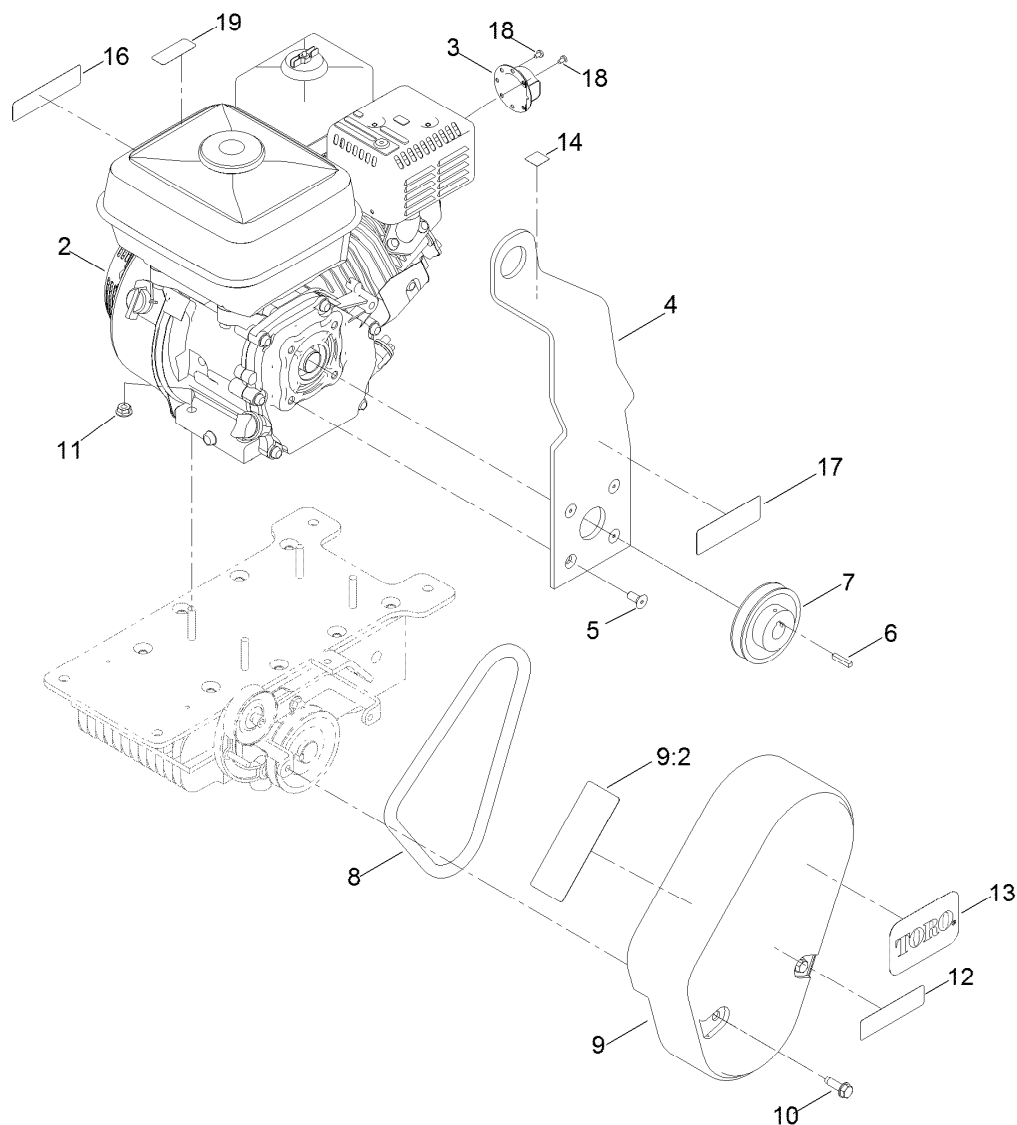
Ref.	Part Number	Qty.	Description
1	ST36739-01	1	Handle-Column, Main
2	ST80275	2	Screw-HSBH
3	32149-2	2	Nut-Keps
4	ST36767	1	Pulley-Pivot
5	ST36753	1	Cam-Cable, Tilt Pivot
6	ST36763	1	Cable-Throttle, Push/Pull
7	ST80066	2	Screw-HSBH
8	321-5	2	Screw-HH
9	104-7201	2	Nut-HF
10	ST27353	1	Housing-Clutch
11	ST80422	2	Screw
12	ST27355	1	Cover-Clutch
13	ST32117	2	Bushing-Flange
14	ST21977	1	Lever ASM
15	ST80305	1	Pin

Ref.	Part Number	Qty.	Description
16	ST80070	4	Screw-PPH
17	127-2809-01	1	Handle-Adjustable
18	ST47125	2	Grip-Handle
19	ST80069	1	Ring-External
20	ST47355	4	Mount-Shock
21	3256-4	4	Washer-Flat
22	119-4061	4	Screw-HHF
23	ST80125	1	Washer-Flat
24	ST21844	1	Knob-Adjustment
25	ST36764	1	Cable-Clutch
26	ST36762	1	Cable-Tilt
27	125-4934	1	Decal
28	125-4935	1	Decal-Raise, Lower
29	125-8215	1	Decal-Pro Pitch



Pro-Pitch Handle Assembly No. 125-6200 Handle Locking Guide Assembly

<i>Ref.</i>	<i>Part Number</i>	<i>Qty.</i>	<i>Description</i>	<i>Ref.</i>	<i>Part Number</i>	<i>Qty.</i>	<i>Description</i>
1	ST36741	1	Guide-Locking, Pitch	11	ST36758	1	Plug
2	ST36747	1	Handle-Pitch	12	ST36750	1	Handle-Trip
3	ST80006	1	Pin	13	ST36748	1	Cover-Handle, Inspection
4	ST36742	1	Plate-Locking, Pitch	14	ST81074	3	Screw-HSBH
5	ST36773	1	Spring-Compression	15	ST36759	2	Pin-Release, Pivot
6	ST36757	1	Spring-Compression	16	ST81076	3	Pin
7	ST36743	1	Swivel-Rod, Linkage	17	ST81077	1	Pin
8	1-633131	1	Yoke-Linkage, Brake	18	3219-3	3	Nut-Hex
9	ST36744	1	Rod-Linkage	19	ST36772	1	Spring-Compression
10	ST36745	2	Pin-Swivel, Linkage	20	ST80511	1	Screw-Set, HSH



Engine Assembly

Ref.	Part Number	Qty.	Description	Ref.	Part Number	Qty.	Description
2		1	Engine-Honda, Gx160 ●■	10	701243	2	Screw-Thd Roll, HWH
3	125-3866	1	Deflector	11	32128-26	4	Nut-Flange
4	127-5585	1	Plate-Eye, Lift	12	125-4931	1	Decal
5	ST80171	4	Screw	13	105-6971	1	Decal
6	5-1077	1	Key-Square	14	93-9084	1	Decal-Point, Lift
7	ST34833	1	Sheave	16	133-8062	1	Decal-Arrestor, Spark
8	ST35331	1	Belt-V	17	117-4979	1	Decal-Warning
9	127-2801	1	Belt Guard ASM	18	125-0519	2	Screw-Self Tapping
9:2	125-4933	1	Decal-Warning	19	130-8322	1	Decal-Warning, Ethanol

● Not serviced separately

■ Obtain parts from www.honda-engines.com

Notes:

Notes:



Count on it.