



**Count on it.**

**Parts Catalog**

**MB-1600**

**Mud Buggy**

Model No. 68038—Serial No. 404320000 and Up

Model No. 68038G—Serial No. 404320000 and Up



# Ordering Replacement Parts

To order replacement parts, please supply the part number, the quantity, and the description of each part desired.

## Understanding Reference Numbers

Each identified part in an illustration has a reference number. The reference number for a part also appears in the parts list, along with other information about the part.

This catalog uses two special reference number formats, one to indicate parts in a service assembly and another to indicate the quantity of a given part in an illustration.

## Service Assembly Reference Numbers

Parts in service assemblies have reference numbers in the form a:b. The a represents the reference number of the entire service assembly and the b represents a sequential number unique to each part within the service assembly.

For example, a wheel assembly might be identified by reference number 6, the tire by 6:1, the valve by 6:2, and the wheel by 6:3. When you order the assembly identified by reference number 6, you receive all parts identified by reference numbers 6:1, 6:2, and 6:3. However, you may also order any part individually. Reference numbers of this type appear in illustration and in parts lists.

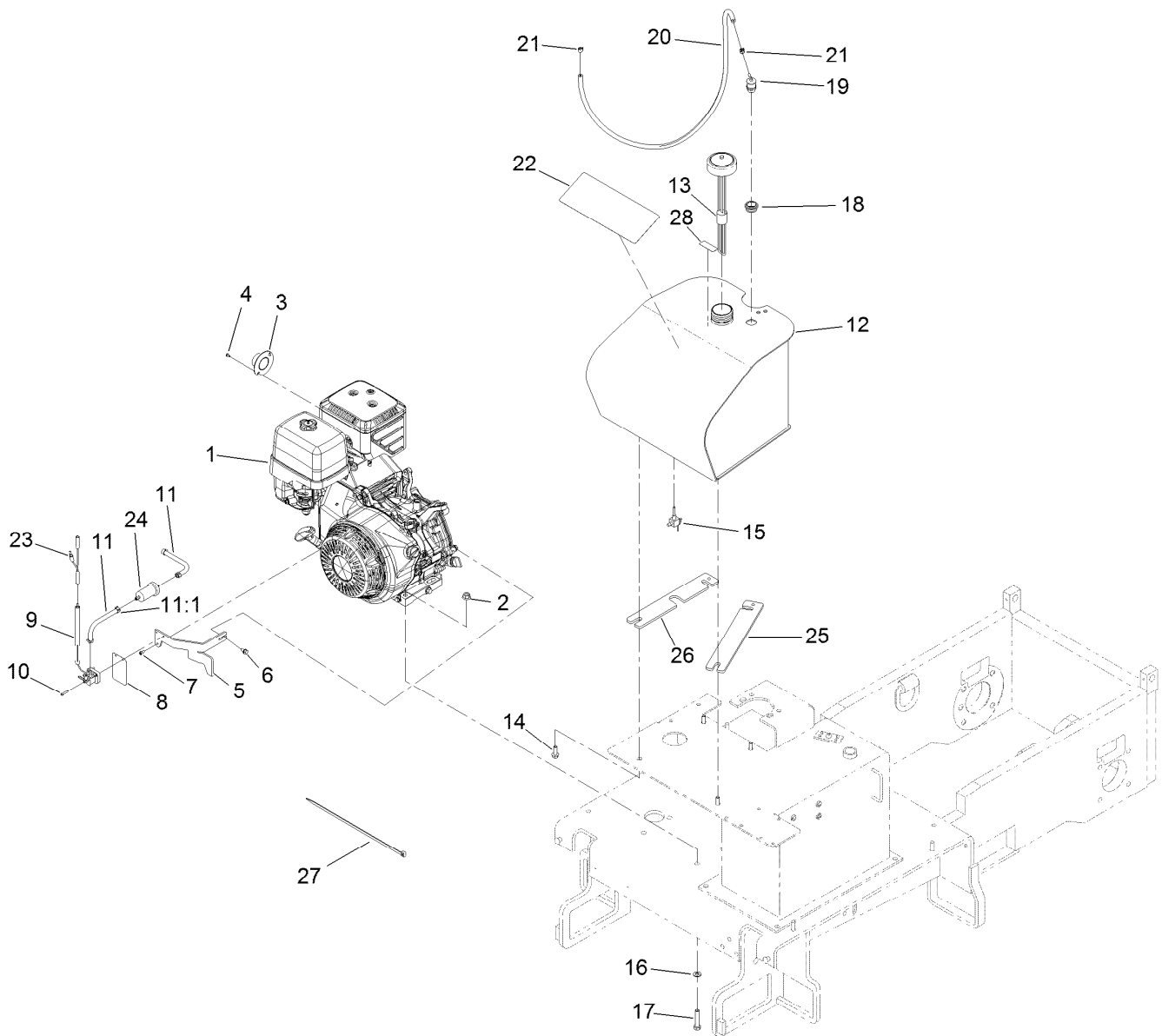
## Reference Numbers Indicating Quantity

In an illustration, if a reference number indicates more than one part, the reference number has the form nX y. The n represents the quantity of the part, the X is the multiplication symbol, and the y represents the reference number.

For example, in an illustration, the reference number 2X 37 means that two of the parts identified by reference number 37 are indicated.

# Contents

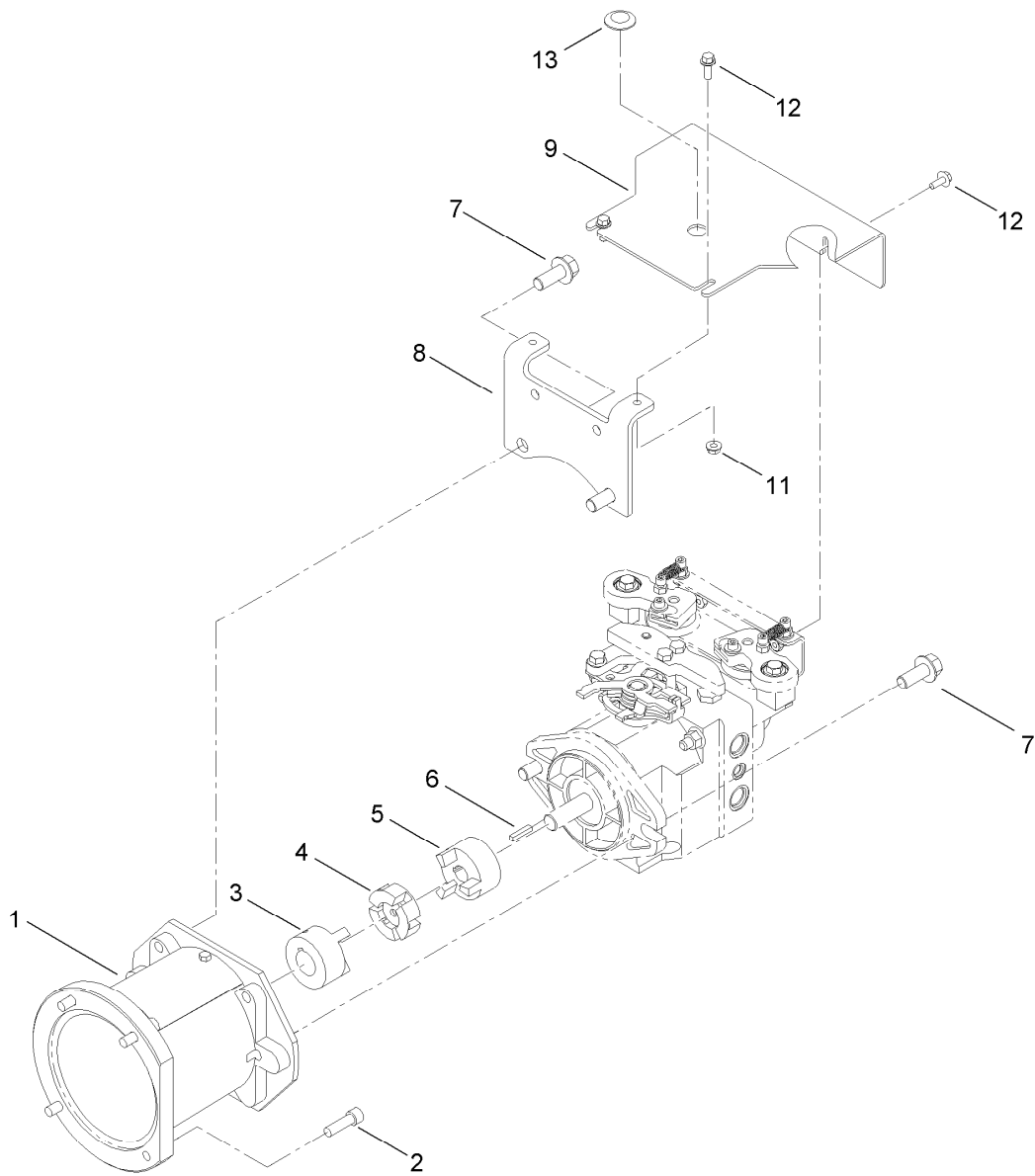
|  |    |
|--|----|
| Engine and Fuel Tank Assembly .....              | 4  |
| Pump Adaptor and Mounting Assembly .....         | 5  |
| Piston Pump and Bracket Assembly .....           | 6  |
| Hydraulic Piston Pump Assembly No. ST50957 ..... | 7  |
| Gear Motor and Cylinder Assembly .....           | 8  |
| Hydraulic Motor Assembly No. ST50926 .....       | 9  |
| Main Frame Assembly .....                        | 10 |
| Brake and Hopper Assembly .....                  | 11 |
| Steering Handle and Axle Assembly .....          | 12 |
| Wheel and Brake Assembly .....                   | 13 |
| Front Wheel and Hub Assembly .....               | 14 |
| Hub Assembly No. 125-8171 .....                  | 15 |
| Hydraulic Tank and Dump Pedal Assembly .....     | 16 |
| Hydraulic Hard Line Routing Assembly .....       | 18 |
| Hydraulic Hose and Fitting Assembly .....        | 19 |



## Engine and Fuel Tank Assembly

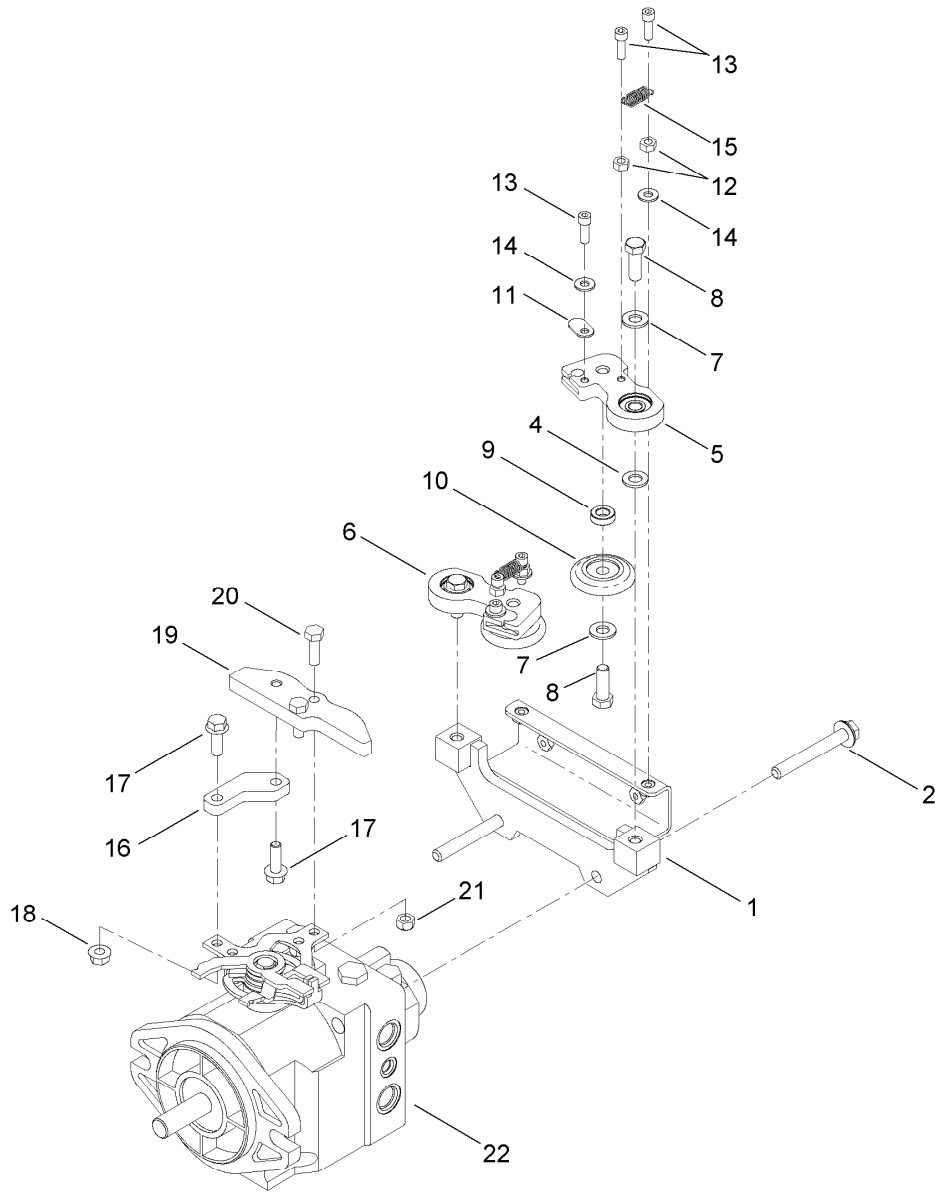
| Ref. | Part Number | Qty. | Description               | Ref. | Part Number | Qty. | Description               |
|------|-------------|------|---------------------------|------|-------------|------|---------------------------|
| 1    | 125-4819    | 1    | Engine-Honda, Gx390 ●     | 15   | ST39056     | 1    | Valve-Strainer            |
| 2    | 33005-00    | 4    | Nut-HF                    | 16   | 33095-00    | 4    | Washer-Flat               |
| 3    | ST50553-03  | 1    | Deflector-Exhaust         | 17   | 33115-050   | 4    | Screw-HH                  |
| 4    | 125-0519    | 2    | Screw-Self Tapping        | 18   | 114-0284    | 1    | Grommet                   |
| 5    | ST45910-03  | 1    | Bracket-Switch, Stop Fuel | 19   | 119-3547    | 1    | Valve-Vent, Fuel          |
| 6    | 104-2628    | 1    | Screw-HWH Thd Roll        | 20   | 108-9698    | 1    | Hose-Fuel                 |
| 7    | 115-8733    | 1    | Screw-HSH                 | 21   | 2412-80     | 2    | Clamp-Hose                |
| 8    | 125-4966    | 1    | Hang Tag-Run, Stop        | 22   | 125-4958    | 1    | Decal-Operation           |
| 9    | ST58582     | 1    | Fuel Shut Off Valve ASM   | 23   | 127-2880    | 1    | Harness-Wire, Shut Down T |
| 10   | 119-7444    | 2    | Screw-HSBH                | 24   | ST36144     | 1    | Filter-Fuel               |
| 11   | 127-2810    | 2    | Fuel Hose Kit             | 25   | 127-5595-03 | 1    | Plate-Tank Stand Off      |
| 11:1 | 2412-98     | 2    | Clamp-Hose                | 26   | 127-5598-03 | 1    | Plate-Tank Stand Off      |
| 12   | 130-2101    | 1    | Tank ASM                  | 27   | 1-303335    | 1    | Tie-Plastic               |
| 13   | 130-2117    | 1    | Gauge-Fuel                | 28   | 130-8322    | 1    | Decal-Warning, Ethanol    |
| 14   | 33104-025   | 4    | Screw-HHF                 |      |             |      |                           |

● Obtain parts from [www.honda-engines.com](http://www.honda-engines.com)



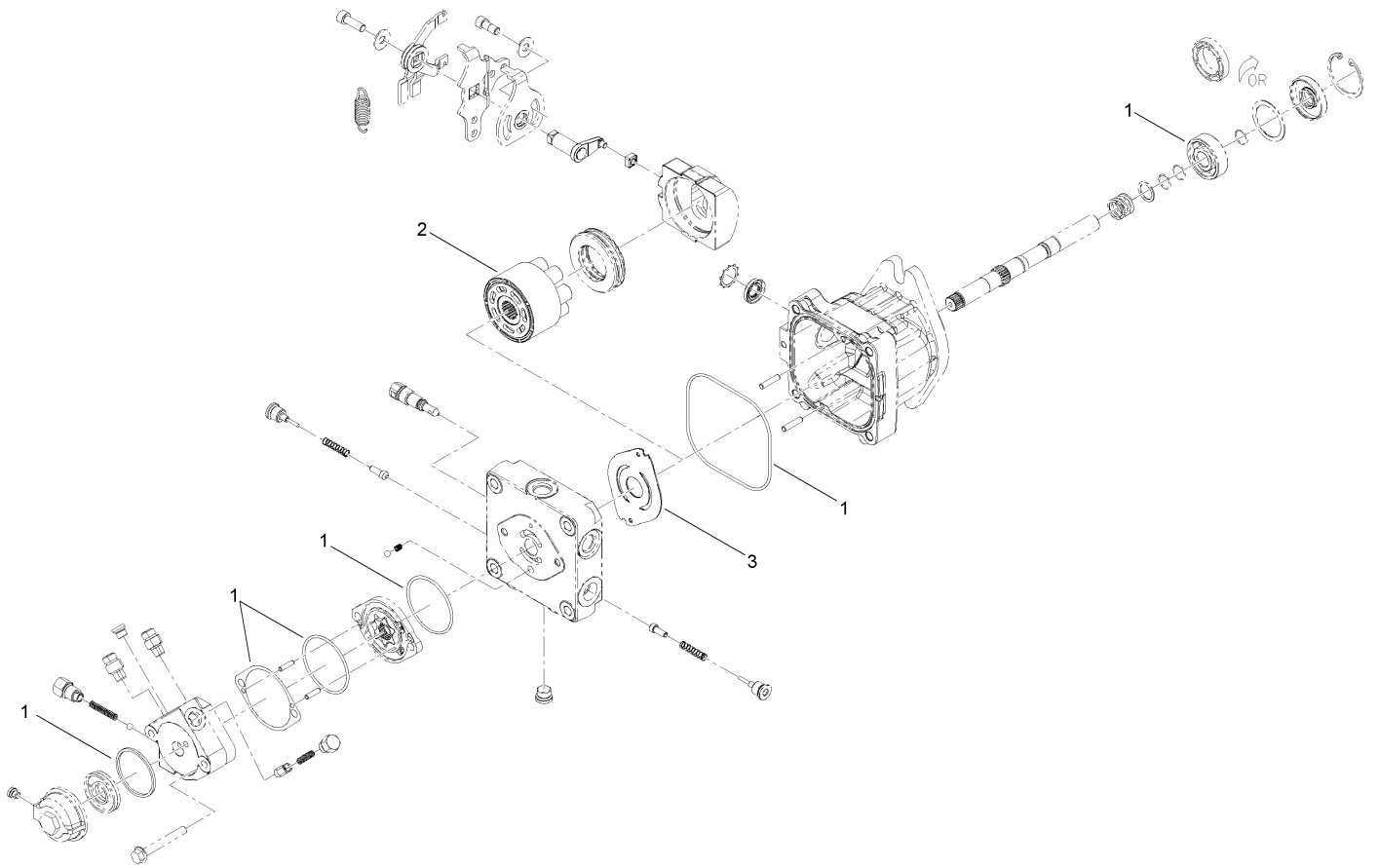
## Pump Adaptor and Mounting Assembly

| Ref. | Part Number | Qty. | Description           |
|------|-------------|------|-----------------------|
| 1    | ST32432     | 1    | Adaptor-Motor, Pump   |
| 2    | 3274-1      | 4    | Screw-HSH             |
| 3    | ST37547     | 1    | Coupling-Engine       |
| 4    | ST37548     | 1    | Insert-Coupling       |
| 5    | ST45154     | 1    | Coupling-Pump         |
| 6    | ST45093     | 1    | Key-Square            |
| 7    | 3234-32     | 4    | Screw-HHF             |
| 8    | ST50952-03  | 1    | Plate-Mounting, Cable |
| 9    | ST50953-03  | 1    | Cover-Control, Pump   |
| 11   | 32128-14    | 2    | Nut-HF                |
| 12   | 99-6810     | 4    | Screw-HHF             |
| 13   | ST57909     | 1    | Plug-Button           |



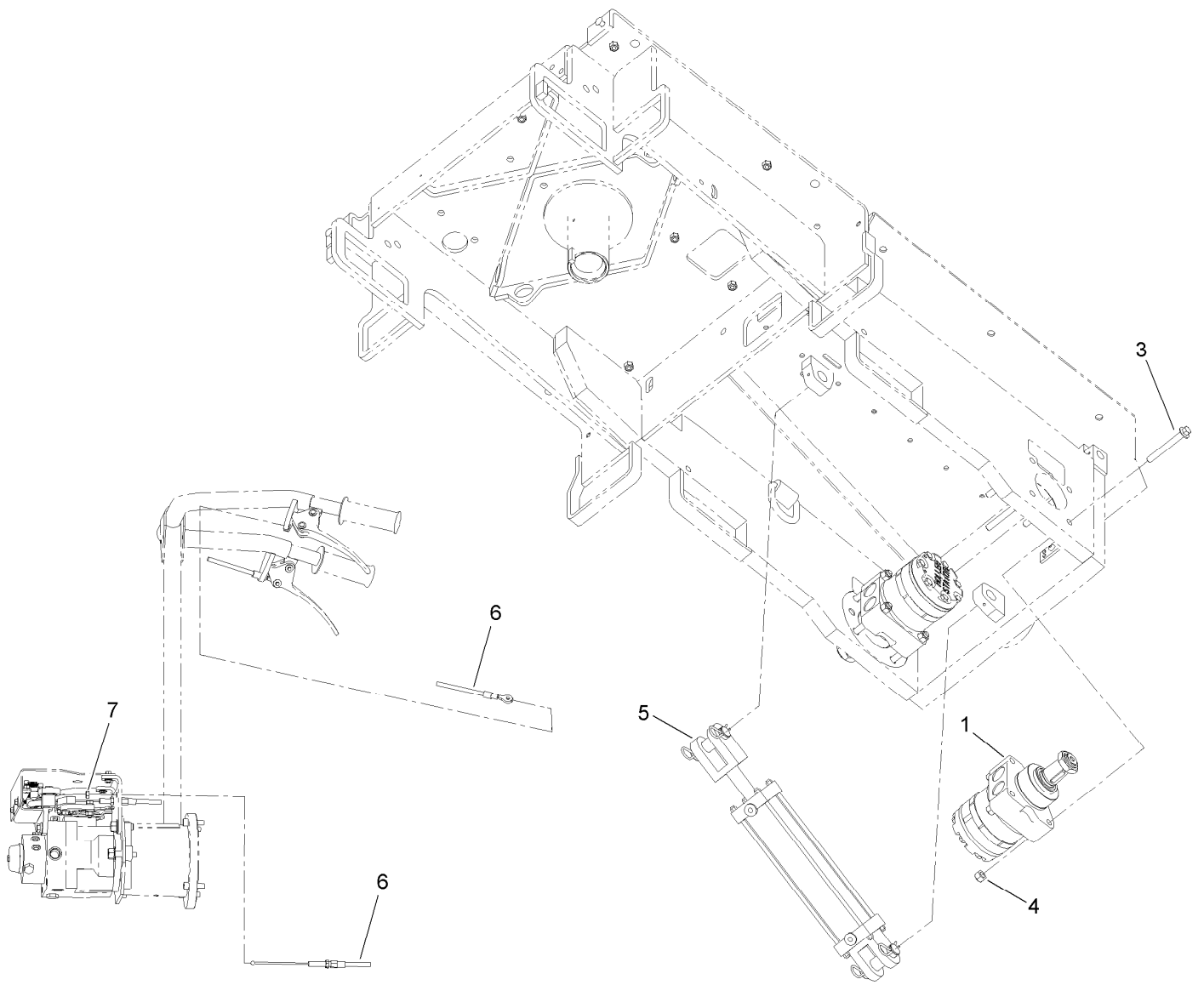
## Piston Pump and Bracket Assembly

| <i>Ref.</i> | <i>Part Number</i> | <i>Qty.</i> | <i>Description</i>    | <i>Ref.</i> | <i>Part Number</i> | <i>Qty.</i> | <i>Description</i>             |
|-------------|--------------------|-------------|-----------------------|-------------|--------------------|-------------|--------------------------------|
| 1           | 125-6369           | 1           | Bracket-Control, Pump | 13          | 3274-64            | 6           | Screw-HSH                      |
| 2           | 33105-070          | 2           | Screw-HHF             | 14          | 3256-22            | 4           | Washer-Flat                    |
| 4           | 33095-00           | 2           | Washer-Flat           | 15          | ST50991            | 2           | Spring-Extension, Control Pump |
| 5           | 125-8557           | 1           | Control-Pivot Right   | 16          | ST50951            | 1           | Plate-Arm, Control             |
| 6           | 125-8555           | 1           | Control-Pivot Left    | 17          | 33104-025          | 2           | Screw-HHF                      |
| 7           | 3256-24            | 4           | Washer-Flat           | 18          | 33004-00           | 1           | Nut-HF                         |
| 8           | 323-18             | 4           | Screw-HH              | 19          | ST50954            | 1           | Plate-Pump, Control            |
| 9           | ST50948            | 2           | Spacer-Pivot          | 20          | 33114-025          | 2           | Screw-HH                       |
| 10          | ST43873            | 2           | Wheel-Cutting, Table  | 21          | 33024-00           | 2           | Nut-Lock, NI                   |
| 11          | ST50955            | 2           | Cover-End, Cable      | 22          | ST50957            | 1           | HYD Piston Pump ASM            |
| 12          | 3217-5             | 4           | Nut-Hex               |             |                    |             |                                |



## Hydraulic Piston Pump Assembly No. ST50957

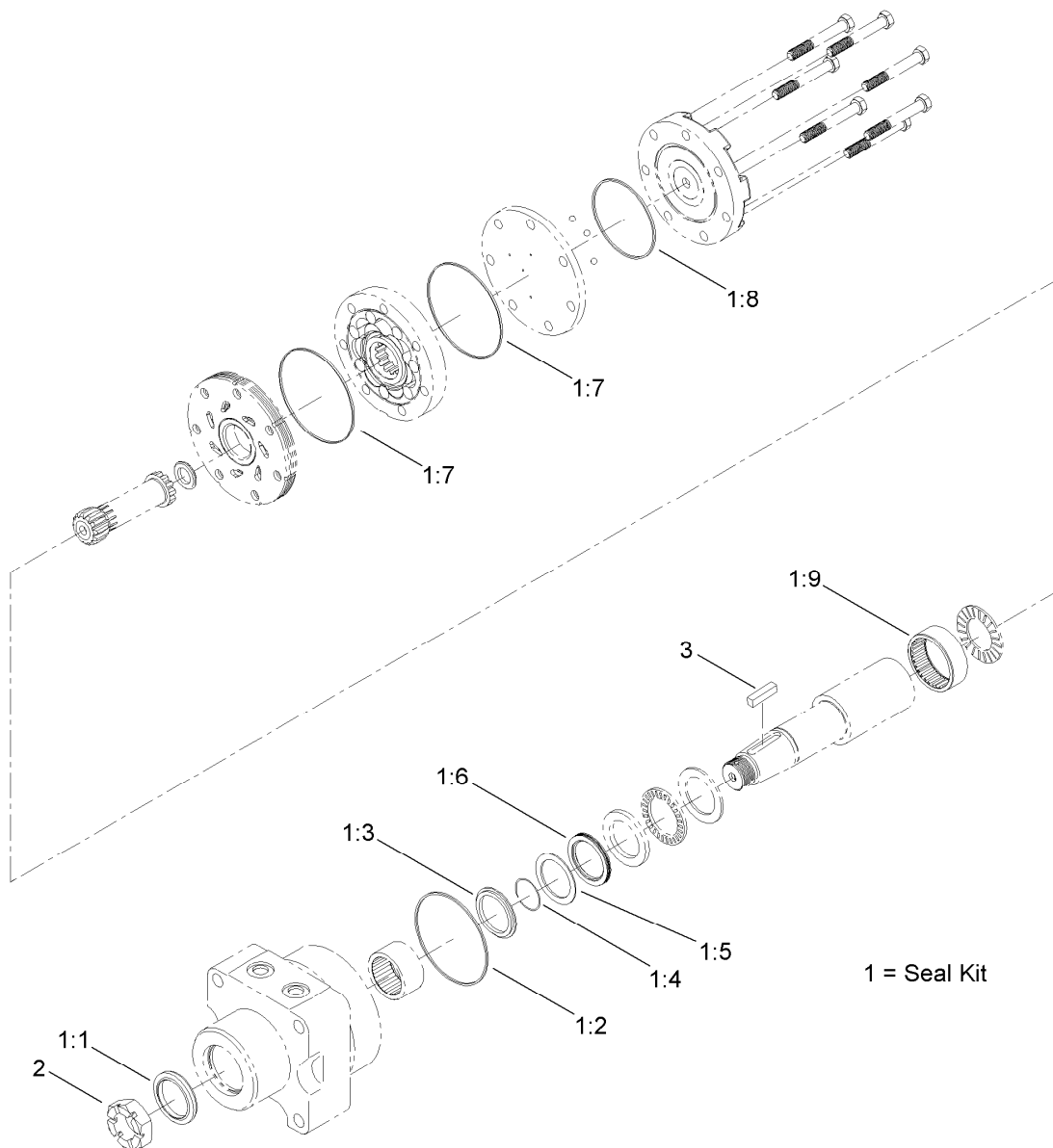
| <i>Ref.</i> | <i>Part Number</i> | <i>Qty.</i> | <i>Description</i> |
|-------------|--------------------|-------------|--------------------|
| 1           | 100-6110           | 1           | Overhaul Seal Kit  |
| 2           | 127-3867           | 1           | Cylinder Block Kit |
| 3           | 100-6112           | 1           | Plate-Valve        |



## Gear Motor and Cylinder Assembly

| <i>Ref.</i> | <i>Part Number</i> | <i>Qty.</i> | <i>Description</i> |
|-------------|--------------------|-------------|--------------------|
| 1           | ST50926            | 2           | HYD Gear Motor ASM |
| 3           | 33106-100          | 8           | Screw-HHF          |
| 4           | 33026-00           | 8           | Nut-Hex            |
| 5           | ST50501            | 1           | HYD Cylinder ASM   |
| 6           | ST50959            | 2           | Cable-Control      |
| 7           | 3220-3             | 2           | Nut-HJ             |

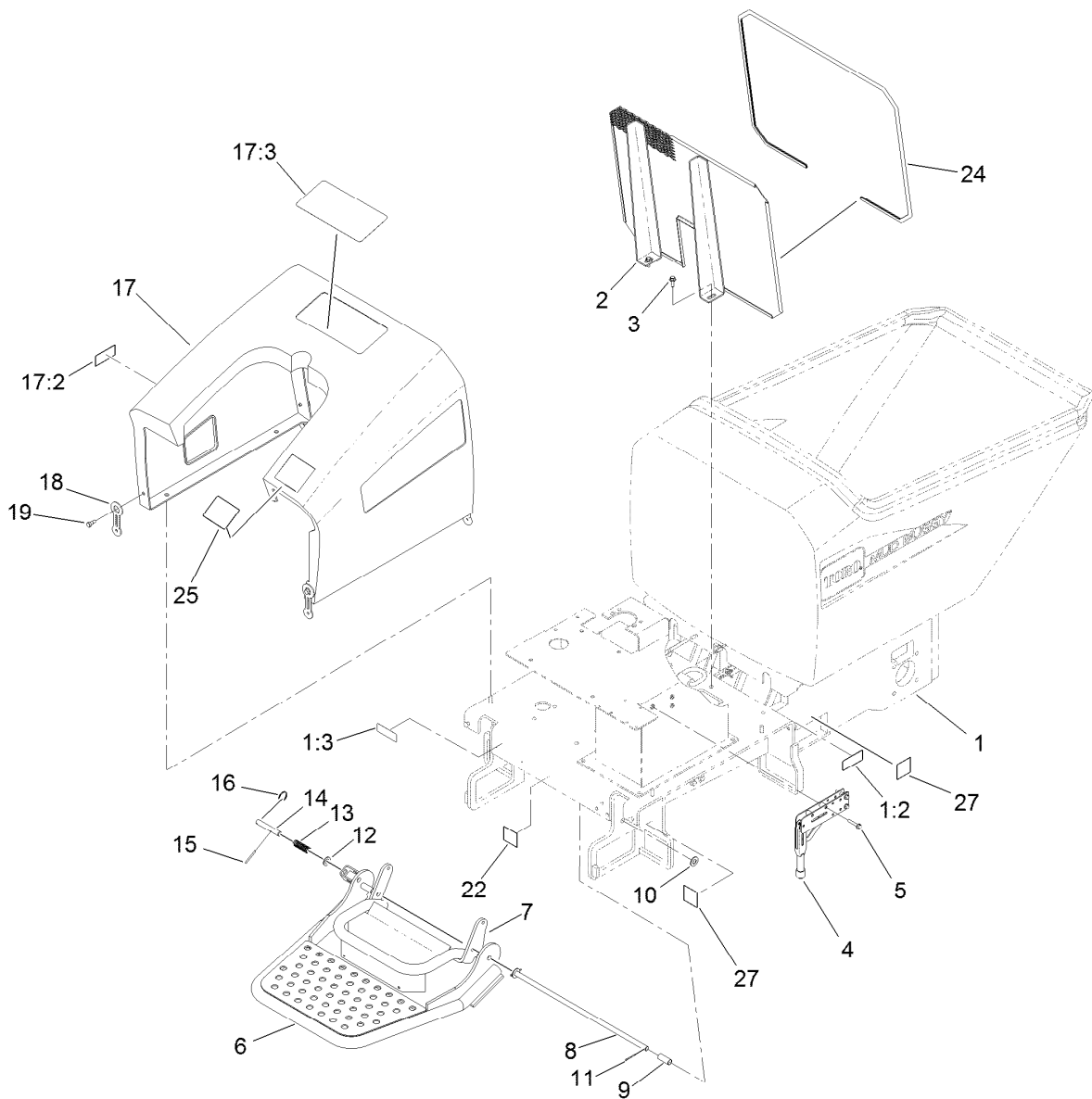




## Hydraulic Motor Assembly No. ST50926

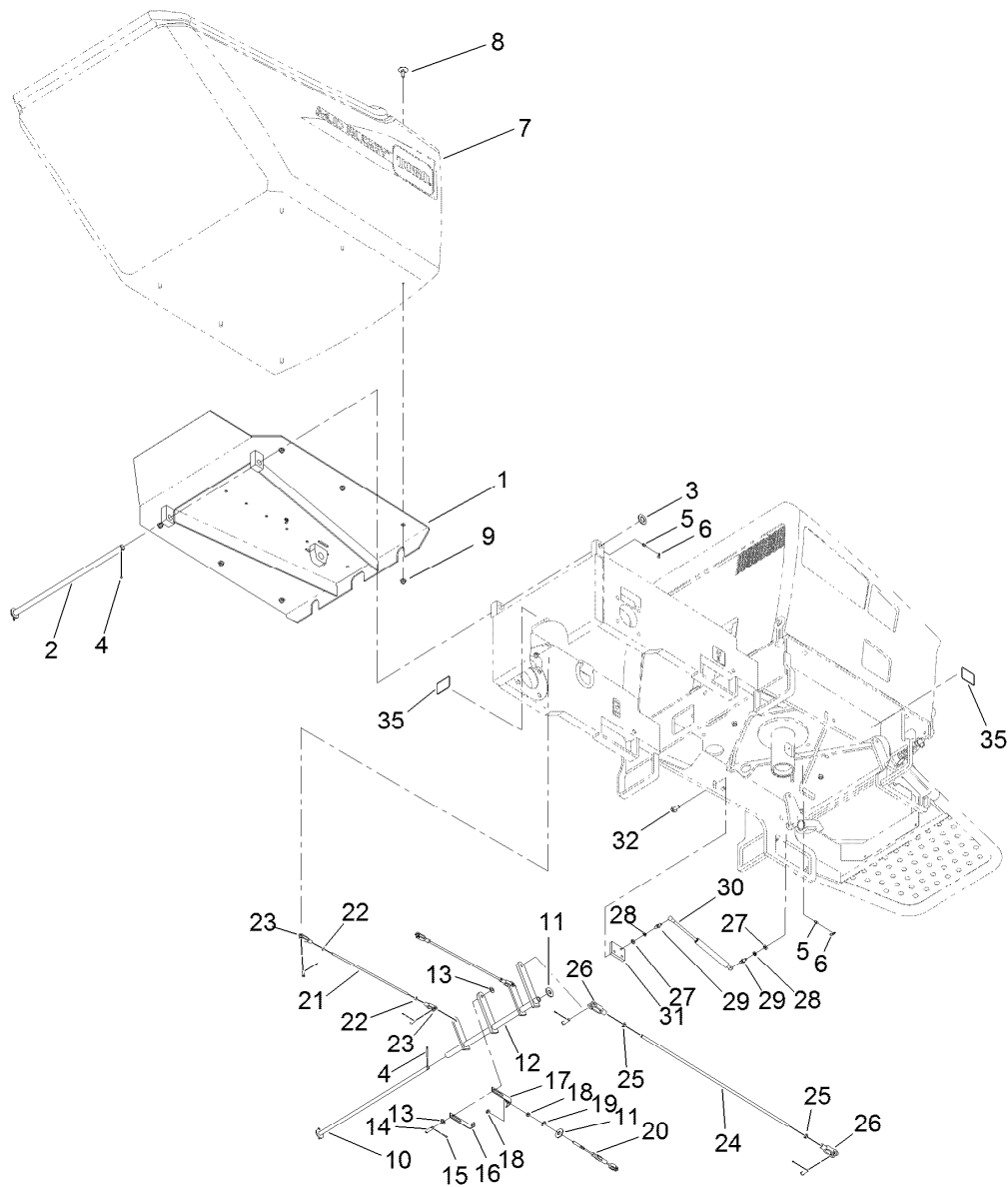
| Ref. | Part Number | Qty. | Description             |
|------|-------------|------|-------------------------|
| 1    | 127-5568    | 1    | Seal Kit                |
| 1:1  |             | 1    | Seal-Dust ●             |
| 1:2  |             | 1    | Seal-Housing ●          |
| 1:3  |             | 1    | Ring-Back Up, Metal ●   |
| 1:4  |             | 1    | Shim-Back Up ●          |
| 1:5  |             | 1    | Seal-Back Up ●          |
| 1:6  |             | 1    | Seal-Shaft ●            |
| 1:7  |             | 2    | Seal-Body ●             |
| 1:8  |             | 1    | Seal-Endcover ●         |
| 1:9  |             | 1    | Bearing-Housing, Rear ● |
| 2    | 127-5569    | 1    | Nut-Shaft               |
| 3    | 127-5570    | 1    | Key-Shaft               |

● Not serviced separately



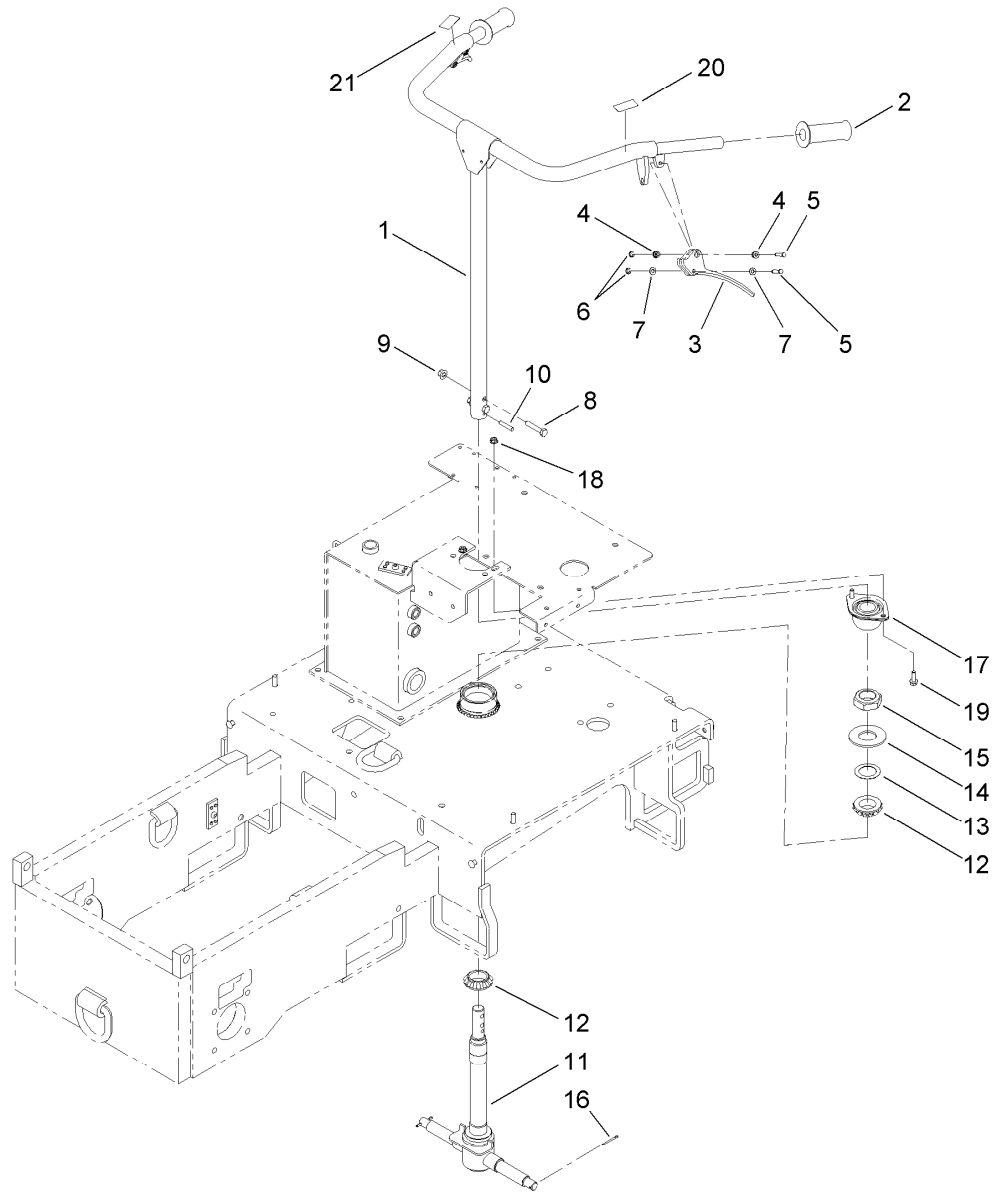
## Main Frame Assembly

| Ref. | Part Number | Qty. | Description             | Ref. | Part Number | Qty. | Description        |
|------|-------------|------|-------------------------|------|-------------|------|--------------------|
| 1    | 127-2834    | 1    | Main Frame ASM          | 13   | ST45055     | 1    | Spring-Compression |
| 1:2  | 125-4959    | 2    | Decal-Warning, Crushing | 14   | ST45056     | 1    | Pin-Lockout, Step  |
| 1:3  | 133-8062    | 1    | Decal-Arrestor, Spark   | 15   | ST81122     | 1    | Pin                |
| 2    | 125-8233-03 | 1    | Guard-Splash            | 16   | ST81124     | 1    | Ring-Split         |
| 3    | 3234-42     | 2    | Screw-HHF               | 17   | 127-2833    | 1    | Engine Cowl ASM    |
| 4    | ST38095     | 1    | Lever                   | 17:2 | 125-4963    | 1    | Decal-Surface, Hot |
| 5    | 33104-045   | 3    | Screw-HHF               | 17:3 | 127-2855    | 1    | Decal-Warning      |
| 6    | 125-8696-03 | 1    | Step-Platform           | 18   | ST47182     | 4    | Latch-Rubber       |
| 7    | 125-8235-03 | 1    | Pedal-Brake             | 19   | ST81130     | 4    | Screw-HSBH         |
| 8    | ST45113     | 1    | Shaft-Pivot, Step       | 22   | 125-8190    | 1    | Decal-Brake Pedal  |
| 9    | ST45249     | 2    | Spacer-Brake            | 24   | 127-5590    | 1    | Trim-Splash Guard  |
| 10   | 3256-27     | 2    | Washer-Flat             | 25   | 130-2844    | 1    | Decal-Dump         |
| 11   | 3272-13     | 6    | Pin-Cotter              | 27   | 125-4967    | 4    | Decal-Lift Here    |
| 12   | 33098-00    | 1    | Washer-Flat             |      |             |      |                    |



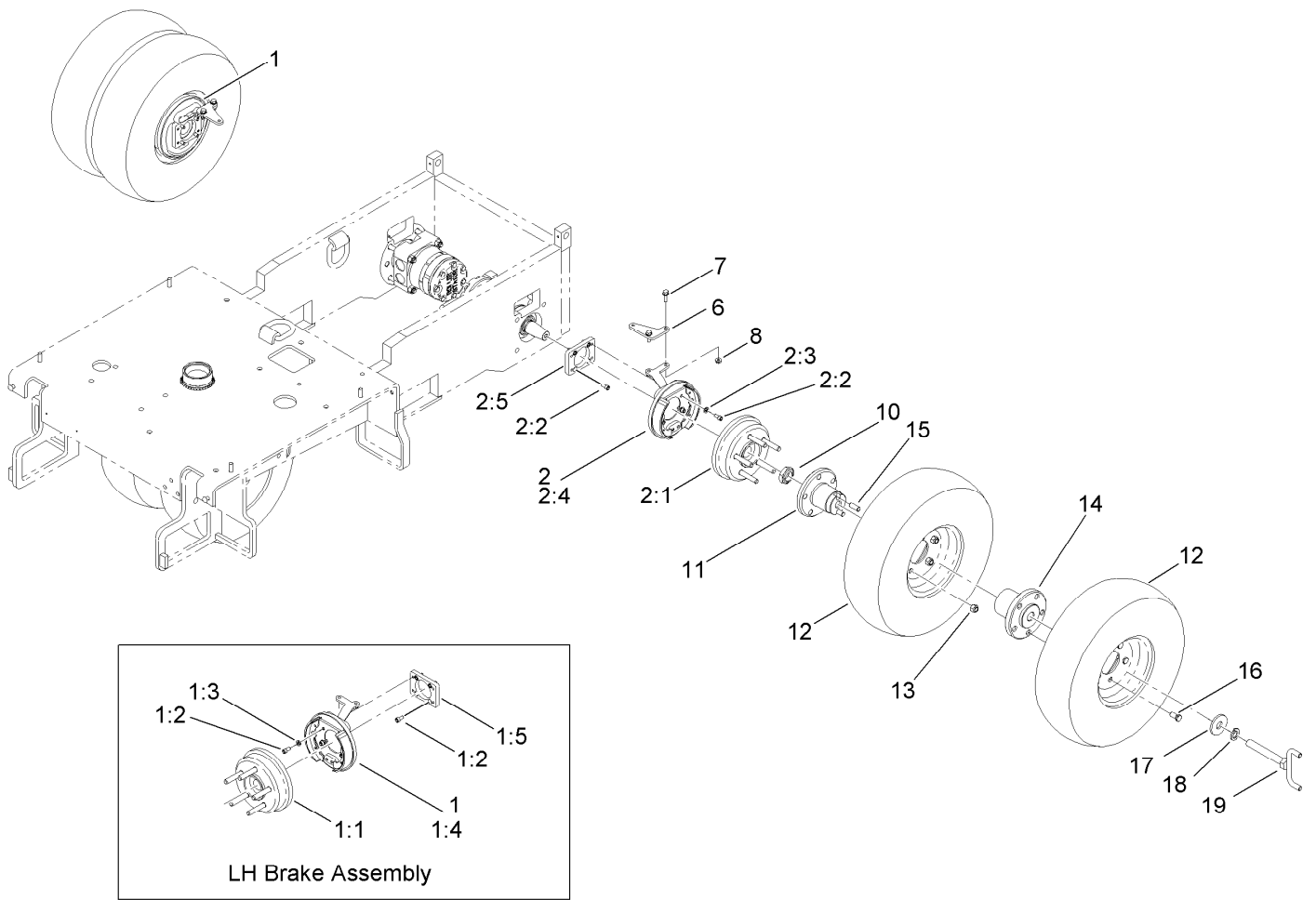
## Brake and Hopper Assembly

| Ref. | Part Number | Qty. | Description                | Ref. | Part Number | Qty. | Description               |
|------|-------------|------|----------------------------|------|-------------|------|---------------------------|
| 1    | ST45073-03  | 1    | Bin-Base                   | 18   | 3220-2      | 2    | Nut-Jam                   |
| 2    | ST45096     | 1    | Shaft-Pivot                | 19   | 32120-47    | 1    | Ring-Retaining, External  |
| 3    | 3256-28     | 2    | Washer-Flat                | 20   | ST45199     | 1    | Cable-Brake, Buggy        |
| 4    | 3272-13     | 6    | Pin-Cotter                 | 21   | ST50995     | 2    | Rod-Brake, Front          |
| 5    | 302-5       | 7    | Fitting-Grease             | 22   | 3219-1      | 4    | Nut-Hex                   |
| 6    | ST47001     | 7    | Cap-Plug                   | 23   | 103509      | 4    | Yoke                      |
| 7    | 125-4806    | 1    | Hopper-Mortar              | 24   | ST45222     | 1    | Rod-Brake                 |
| 8    | ST80740     | 6    | Bolt-Elevator              | 25   | 3220-3      | 2    | Nut-HJ                    |
| 9    | 104-8301    | 6    | Nut-HF, NI                 | 26   | 1-633131    | 2    | Yoke-Linkage, Brake       |
| 10   | ST50925     | 1    | Shaft-Pivot, Lever (Brake) | 27   | 3256-23     | 2    | Washer-Plain              |
| 11   | 3256-6      | 3    | Washer-Flat                | 28   | 3253-4      | 2    | Washer-Lock               |
| 12   | ST50571-03  | 1    | Lever-Brake                | 29   | 103-5752    | 2    | Stud-Ball                 |
| 13   | 3256-24     | 2    | Washer-Flat                | 30   | ST36571     | 1    | Spring-Gas                |
| 14   | ST81110     | 1    | Pin-Clevis                 | 31   | ST57435     | 1    | Plate-Pivot, Spring (Gas) |
| 15   | 3272-10     | 1    | Pin-Cotter                 | 32   | 33105-025   | 2    | Screw-HHF                 |
| 16   | ST45129     | 1    | Clevis-Half                | 35   | 125-6694    | 3    | Decal-Tie Down            |
| 17   | ST45128     | 1    | Clevis-Half (Notched)      |      |             |      |                           |



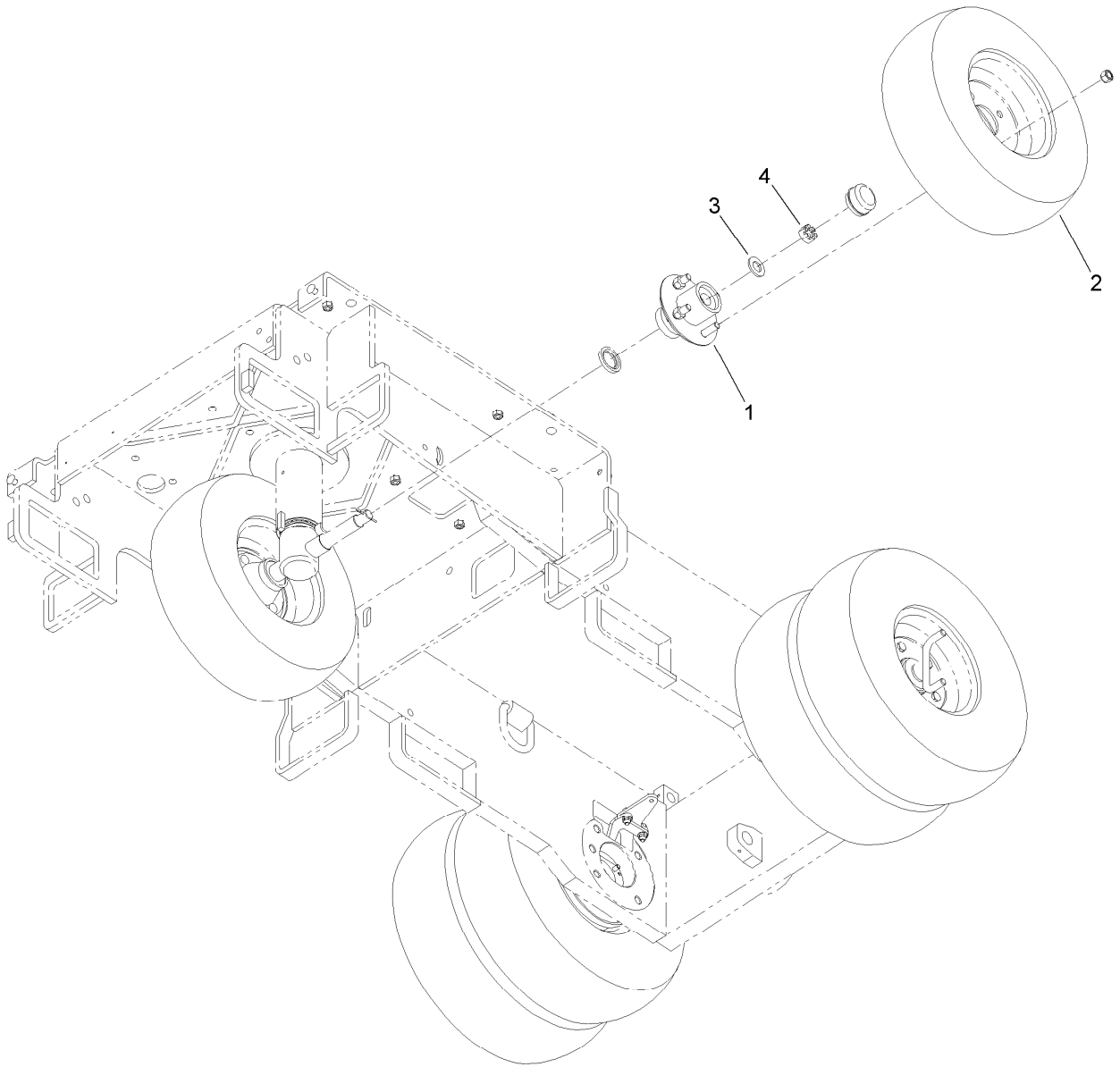
## Steering Handle and Axle Assembly

| <i>Ref.</i> | <i>Part Number</i> | <i>Qty.</i> | <i>Description</i>     | <i>Ref.</i> | <i>Part Number</i> | <i>Qty.</i> | <i>Description</i>    |
|-------------|--------------------|-------------|------------------------|-------------|--------------------|-------------|-----------------------|
| 1           | ST50941-03         | 1           | Handle-Steering        | 12          | ST32161            | 2           | Bearing-Roller        |
| 2           | ST47125            | 2           | Grip-Handle            | 13          | ST81109            | 1           | Washer-Thrust         |
| 3           | ST50937            | 2           | Handle-Control,        | 14          | ST36934            | 1           | Plate-Cover, Bearing  |
| 4           | ST50938            | 4           | Bushing-Lever, Control | 15          | ST81108            | 1           | Nut                   |
| 5           | ST81220            | 4           | Pin-Clevis             | 16          | 3272-13            | 2           | Pin-Cotter            |
| 6           | 32151-86           | 4           | E-Ring                 | 17          | ST45930            | 1           | Spherical Bearing ASM |
| 7           | 3256-22            | 4           | Washer-Flat            | 18          | 32128-26           | 2           | Nut-Flange            |
| 8           | 33115-050          | 2           | Screw-HH               | 19          | 3234-29            | 2           | Screw-HHF             |
| 9           | 33005-00           | 2           | Nut-HF                 | 20          | 125-4961           | 1           | Decal-Reverse         |
| 10          | ST80309            | 1           | Pin                    | 21          | 125-4960           | 1           | Decal-Forward         |
| 11          | ST37358-03         | 1           | Axle-Steering          |             |                    |             |                       |



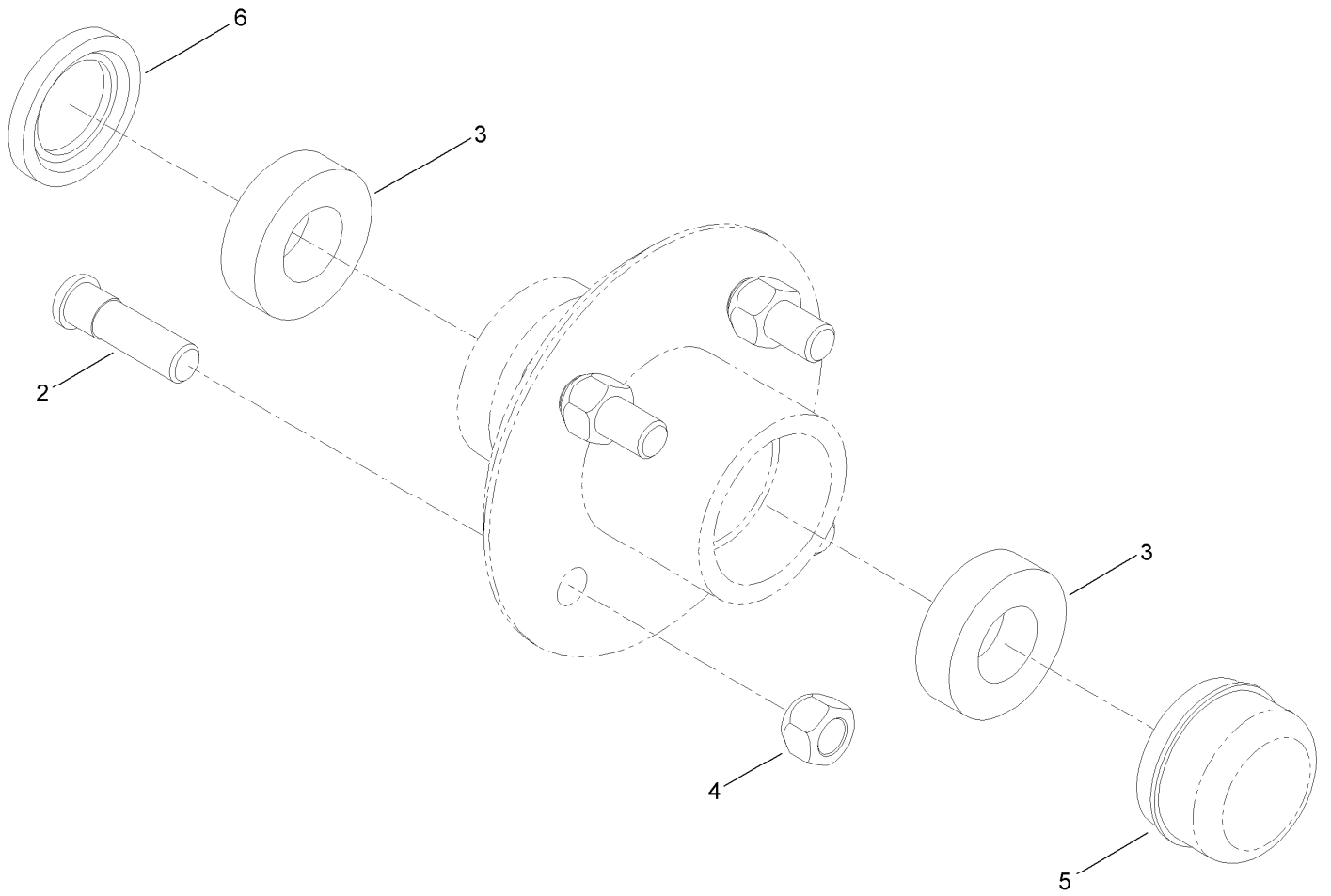
## Wheel and Brake Assembly

| Ref. | Part Number | Qty. | Description          | Ref. | Part Number | Qty. | Description           |
|------|-------------|------|----------------------|------|-------------|------|-----------------------|
| 1    | ST50927     | 1    | LH Brake ASM         | 7    | 3234-29     | 4    | Screw-HHF             |
| 1:1  | 127-5562    | 1    | 5 Lug Hub ASM        | 8    | 32128-26    | 4    | Nut-Flange            |
| 1:2  | 127-5563    | 8    | Bolt                 | 10   | 127-5569    | 2    | Nut-Shaft             |
| 1:3  | 127-5564    | 4    | Washer-Lock          | 11   | ST50994     | 2    | Spacer-Wheel, 5 Bolt  |
| 1:4  | 127-5565    | 1    | Brake-LH             | 12   | ST45197     | 4    | Wheel ASM (With Foam) |
| 1:5  | 127-5567    | 1    | Block-Brake Mount    | 13   | ST80045     | 10   | Nut-Lug               |
| 2    | ST50928     | 1    | RH Brake ASM         | 14   | ST45080     | 2    | Spacer-Wheel          |
| 2:1  | 127-5562    | 1    | 5 Lug Hub ASM        | 15   | ST80423     | 4    | Pin-Rod, Connecting   |
| 2:2  | 127-5563    | 8    | Bolt                 | 16   | ST81114     | 10   | Bolt-Lug              |
| 2:3  | 127-5564    | 4    | Washer-Lock          | 17   | ST81014     | 2    | Washer-Flat           |
| 2:4  | 127-5566    | 1    | Brake-RH             | 18   | 100-7607    | 2    | Washer-Lock           |
| 2:5  | 127-5567    | 1    | Block-Brake Mount    | 19   | ST45106     | 2    | Pin-Quick Release     |
| 6    | ST50923     | 2    | Plate-Linkage, Brake |      |             |      |                       |



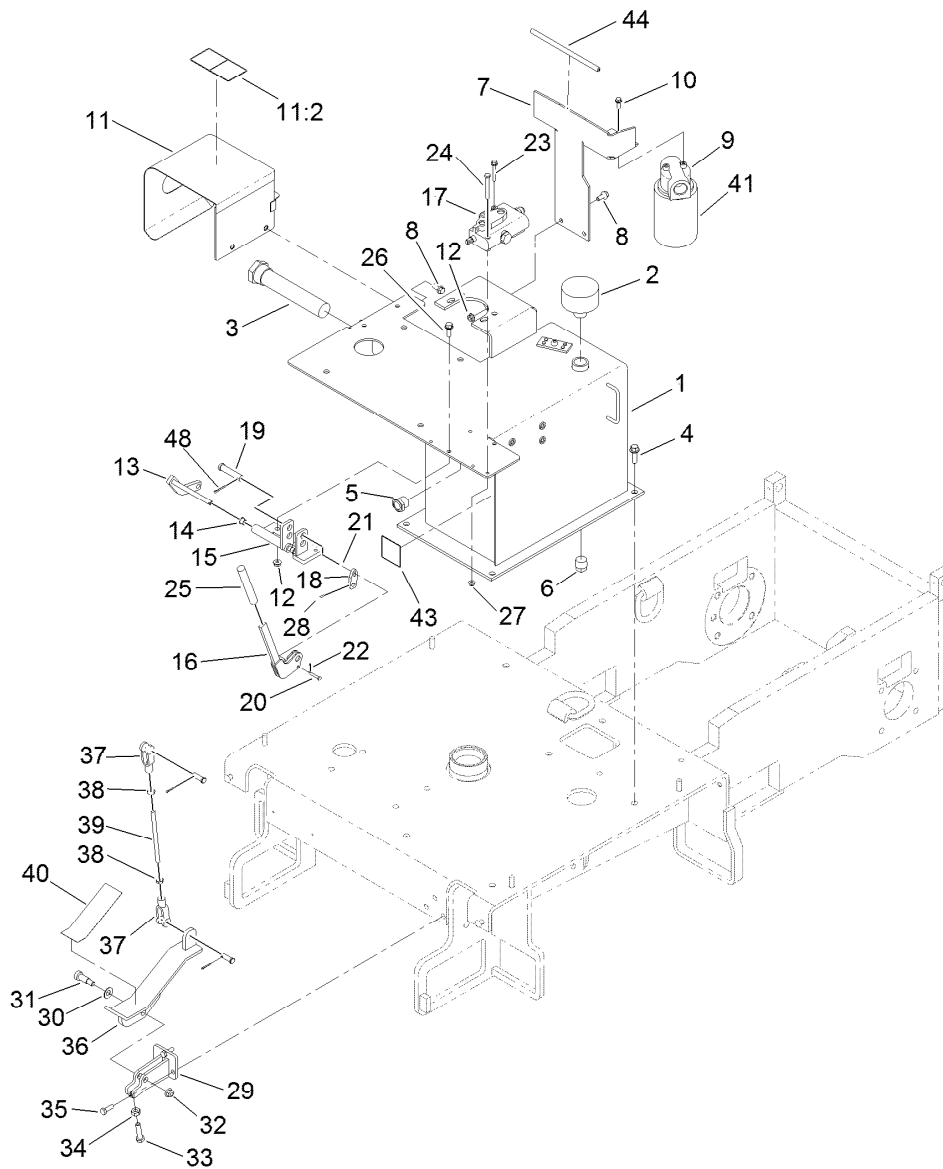
## Front Wheel and Hub Assembly

| <i>Ref.</i> | <i>Part Number</i> | <i>Qty.</i> | <i>Description</i>    |
|-------------|--------------------|-------------|-----------------------|
| 1           | 125-8171           | 2           | Hub ASM               |
| 2           | ST45176            | 2           | Wheel ASM (With Foam) |
| 3           | 3256-28            | 2           | Washer-Flat           |
| 4           | ST80054            | 2           | Nut                   |



## Hub Assembly No. 125-8171

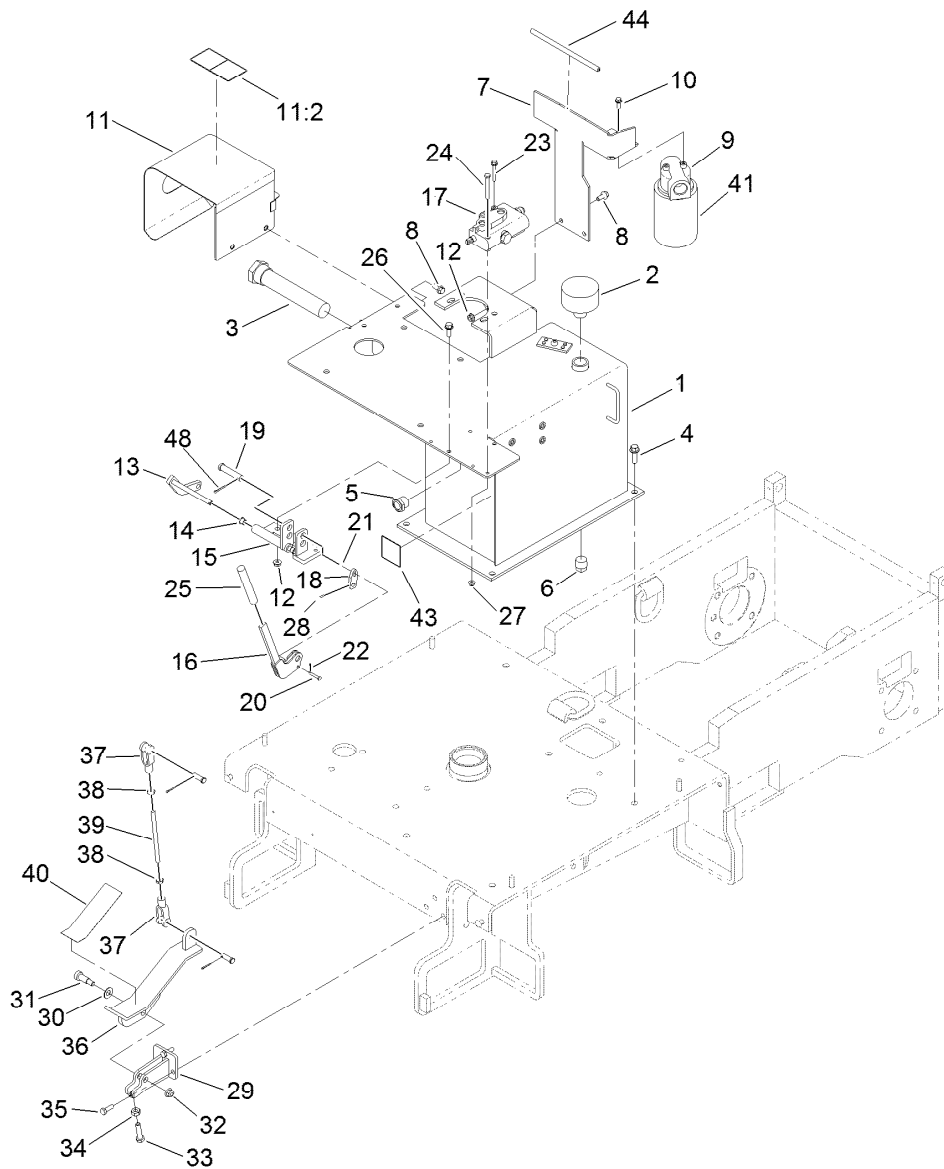
| <i>Ref.</i> | <i>Part Number</i> | <i>Qty.</i> | <i>Description</i> |
|-------------|--------------------|-------------|--------------------|
| 2           | ST39190            | 4           | Stud-Wheel         |
| 3           | ST32233            | 2           | Bearing-Roller     |
| 4           | ST80045            | 4           | Nut-Lug            |
| 5           | ST34573            | 1           | Cap-Dust           |
| 6           | ST32052            | 1           | Seal-Hub, Wheel    |



## Hydraulic Tank and Dump Pedal Assembly

| Ref. | Part Number | Qty. | Description               | Ref. | Part Number | Qty. | Description                |
|------|-------------|------|---------------------------|------|-------------|------|----------------------------|
| 1    | 127-7506    | 1    | Tank-Hydraulic            | 21   | 52-6430     | 1    | Washer                     |
| 2    | ST38521     | 1    | Breather-Filler           | 22   | 3272-1      | 2    | Pin-Cotter                 |
| 3    | ST39088     | 1    | Strainer                  | 23   | 32105-18    | 1    | Screw-HHF                  |
| 4    | 3234-24     | 4    | Screw-HHF                 | 24   | 321-33      | 1    | Screw-HH                   |
| 5    | ST38534     | 1    | Glass Sight ASM           | 25   | ST34687     | 1    | Grip-Handle                |
| 6    | ST46774     | 1    | Plug                      | 26   | 3234-29     | 1    | Screw-HHF                  |
| 7    | 125-8717-03 | 1    | Bracket-Filter, Oil       | 27   | 104-7201    | 1    | Nut-HF                     |
| 8    | 3234-47     | 4    | Screw-HHF                 | 28   | ST81076     | 1    | Pin                        |
| 9    | ST45150     | 1    | Filter-Return             | 29   | ST45973-03  | 1    | Mount-Pedal                |
| 10   | 117-8304    | 2    | Screw-HHF                 | 30   | ST80639     | 1    | Washer-Belleville          |
| 11   | 127-2832    | 1    | Heat Sheild ASM           | 31   | ST80957     | 1    | Screw-HSBH                 |
| 11:2 | 125-4963    | 1    | Decal-Surface, Hot        | 32   | 104-8301    | 1    | Nut-HF, NI                 |
| 12   | 32128-26    | 3    | Nut-Flange                | 33   | 33115-040   | 1    | Screw-HH                   |
| 13   | 137-0578-03 | 1    | Pivot                     | 34   | 33015-00    | 1    | Nut-Hex                    |
| 14   | ST32466     | 2    | Bearing                   | 35   | 322-5       | 3    | Screw-HH                   |
| 15   | 136-4582-03 | 1    | Guide-Shaft               | 36   | ST45963-03  | 1    | Pedal-Dump                 |
| 16   | 136-4578-03 | 1    | Lever-Control, Valve      | 37   | 1-633131    | 2    | Yoke-Linkage, Brake        |
| 17   | ST57532     | 1    | Directional HYD Valve ASM | 38   | 3220-3      | 2    | Nut-HJ                     |
| 18   | 137-0568    | 1    | Plate-Lever, Foot Control | 39   | ST36744     | 1    | Rod-Linkage                |
| 19   | 92-2739     | 1    | Pin-Clevis                | 40   | ST45959     | 1    | Tread-Skid                 |
| 20   | ST36978     | 1    | Pin-Clevis                | 41   | ST35445     | 1    | Element-HYD Oil, 10 Micron |

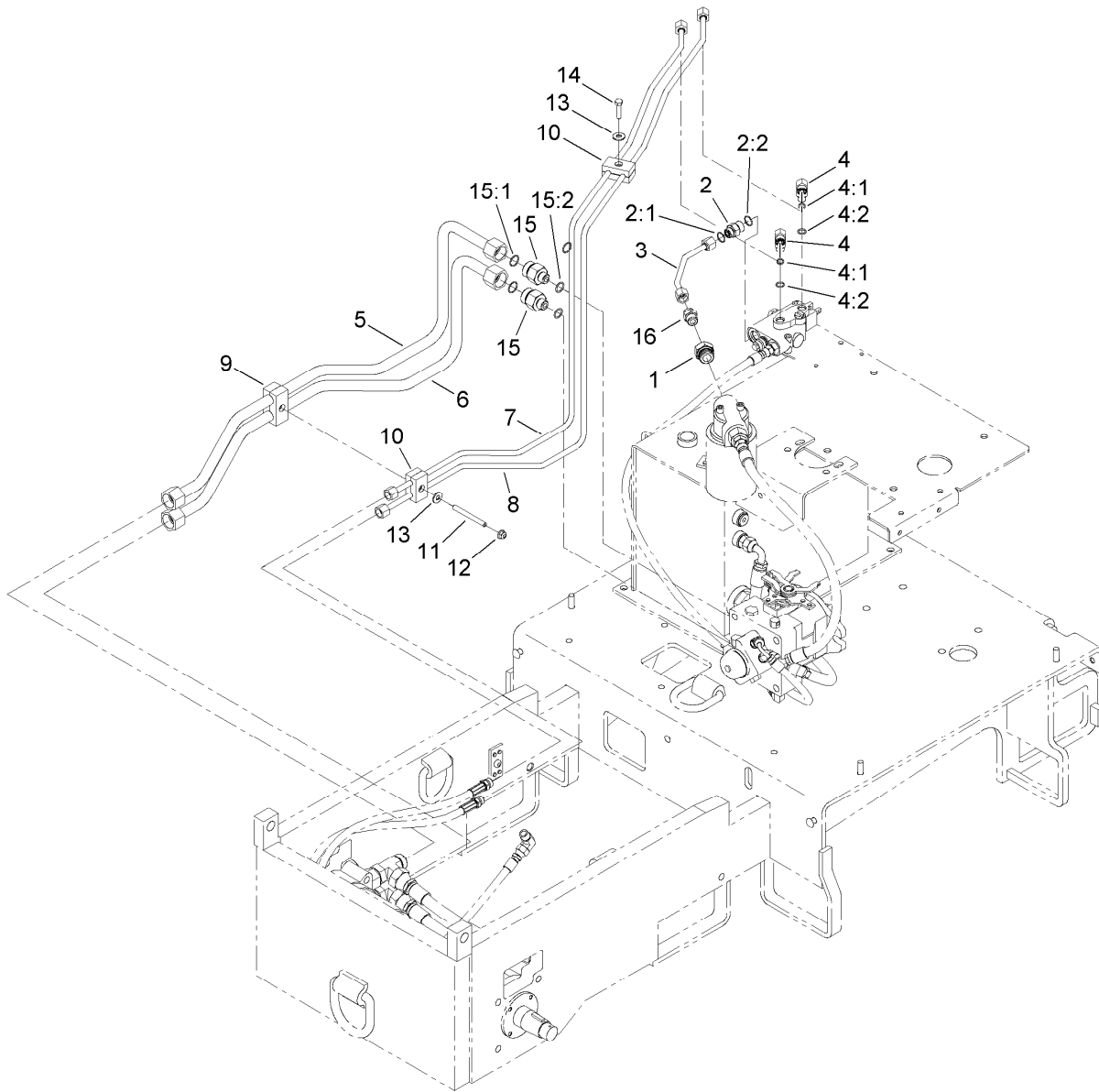




## Hydraulic Tank and Dump Pedal Assembly (continued)

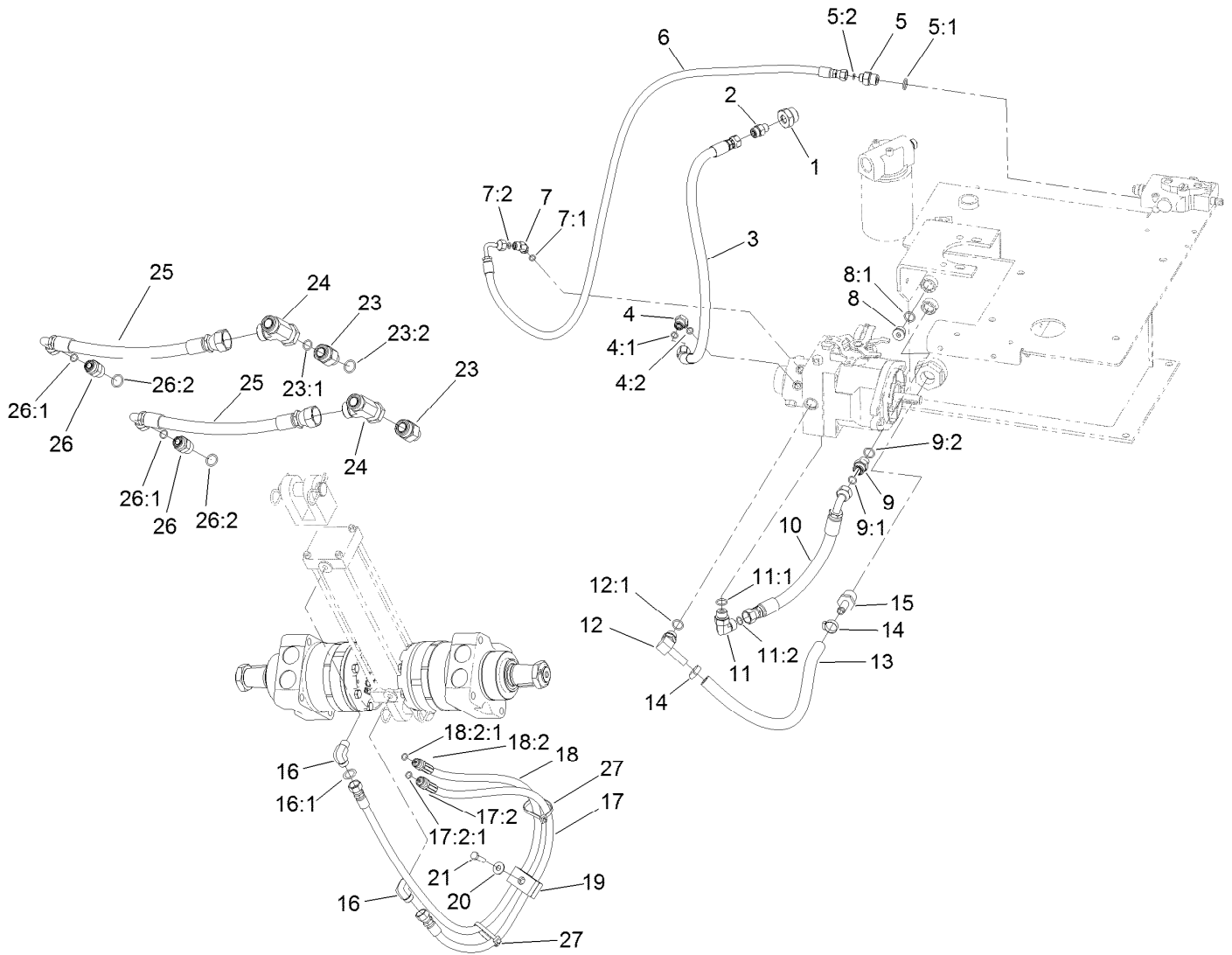
| <i>Ref.</i> | <i>Part Number</i> | <i>Qty.</i> | <i>Description</i> |
|-------------|--------------------|-------------|--------------------|
| 43          | 125-4962           | 1           | Decal-P Brake      |

| <i>Ref.</i> | <i>Part Number</i> | <i>Qty.</i> | <i>Description</i>  |
|-------------|--------------------|-------------|---------------------|
| 44          | 127-5591           | 1           | Trim-Filter Bracket |
| 48          | 3272-11            | 1           | Pin-Cotter          |



## Hydraulic Hard Line Routing Assembly

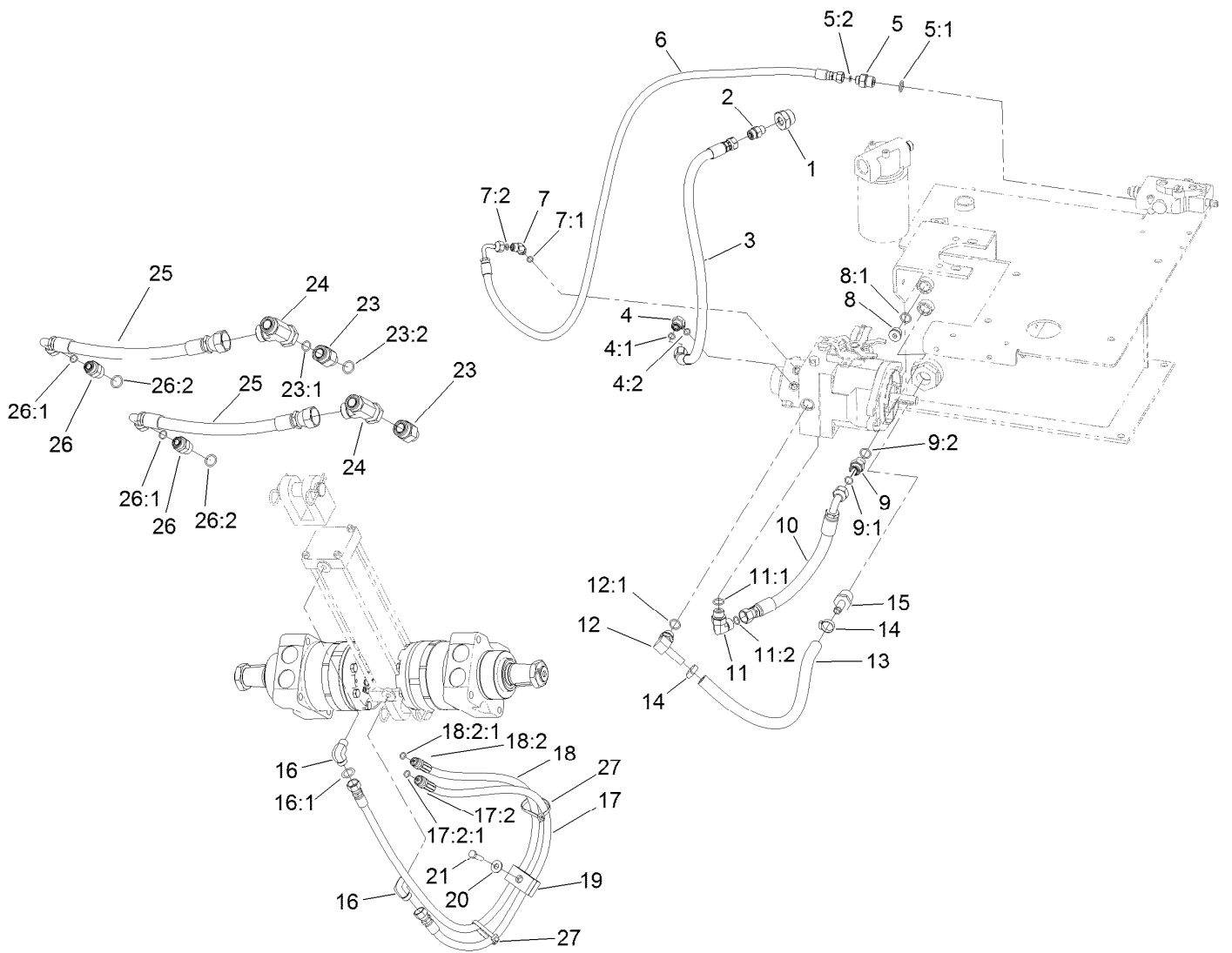
| <i>Ref.</i> | <i>Part Number</i> | <i>Qty.</i> | <i>Description</i>    | <i>Ref.</i> | <i>Part Number</i> | <i>Qty.</i> | <i>Description</i> |
|-------------|--------------------|-------------|-----------------------|-------------|--------------------|-------------|--------------------|
| 1           | ST50971            | 1           | Fitting-HYD           | 8           | 125-8568           | 1           | HYD Tube ASM       |
| 2           | 340-3              | 1           | Fitting-Straight      | 9           | ST50985            | 1           | Clamp-Twin         |
| 2:1         | 237-22             | 1           | O-Ring                | 10          | ST37530            | 2           | Clamp-Twin         |
| 2:2         | 237-79             | 1           | O-Ring                | 11          | ST50990            | 1           | Rod-Clamp, Hose    |
| 3           | 125-8566           | 1           | HYD Tube ASM          | 12          | 104-8300           | 1           | Nut-HF, NI         |
| 4           | 340-77             | 2           | Fitting-Elbow, 90 DEG | 13          | 3256-3             | 2           | Washer-Flat        |
| 4:1         | 237-22             | 1           | O-Ring                | 14          | 322-6              | 1           | Screw-HH           |
| 4:2         | 237-42             | 1           | O-Ring                | 15          | 98-9921            | 2           | Fitting-Straight   |
| 5           | 125-8564           | 1           | HYD Tube ASM          | 15:1        | 237-145            | 1           | O-Ring             |
| 6           | 125-8565           | 1           | HYD Tube ASM          | 15:2        | 237-79             | 1           | O-Ring             |
| 7           | 125-8567           | 1           | HYD Tube ASM          | 16          | ST46679            | 1           | Fitting-HYD        |



## Hydraulic Hose and Fitting Assembly

| Ref. | Part Number | Qty. | Description         | Ref.   | Part Number | Qty. | Description            |
|------|-------------|------|---------------------|--------|-------------|------|------------------------|
| 1    | ST50971     | 1    | Fitting-HYD         | 10     | 125-8560    | 1    | HYD Hose ASM           |
| 2    | ST46679     | 1    | Fitting-HYD         | 11     | 340-98      | 1    | Fitting-Elbow, 90 DEG  |
| 3    | 125-8561    | 1    | HYD Hose ASM        | 11:1   | 237-79      | 1    | O-Ring                 |
| 4    | 340-54      | 1    | Elbow-45 DEG        | 11:2   | 237-30      | 1    | O-Ring                 |
| 4:1  | 237-22      | 1    | O-Ring              | 12     | 354-120     | 1    | Fitting-Elbow, 90      |
| 4:2  | 237-78      | 1    | O-Ring              | 12:1   | 237-79      | 1    | O-Ring                 |
| 5    | 340-133     | 1    | Fitting-STR         | 13     | 98-8153     | 1    | Hose-Return            |
| 5:1  | 237-79      | 1    | O-Ring              | 14     | 2412-141    | 2    | Clamp-Drive, Worm      |
| 5:2  | 237-21      | 1    | O-Ring              | 15     | ST37528     | 1    | Fitting-HYD            |
| 6    | 125-8562    | 1    | HYD Hose ASM        | 16     | 340-112     | 2    | Fitting-Elbow, 90      |
| 7    | 340-103     | 1    | Fitting-HYD, 45 DEG | 16:1   | 237-22      | 1    | O-Ring                 |
| 7:1  | 237-78      | 1    | O-Ring              | 17     | 125-8569    | 1    | HYD Hose ASM           |
| 7:2  | 237-21      | 1    | O-Ring              | 17:2   | 125-8570    | 1    | Fitting-Straight,Rgd ● |
| 8    | 353-988     | 1    | Plug-Hex            | 17:2:1 | 237-22      | 11   | O-Ring                 |
| 8:1  | 237-79      | 1    | O-Ring              | 18     | 125-8570    | 1    | HYD Hose ASM           |
| 9    | 340-4       | 1    | Fitting-Straight    | 18:2   | 125-8570    | 1    | Fitting-Straight,Rgd ● |
| 9:1  | 237-30      | 1    | O-Ring              | 18:2:1 | 237-22      | 11   | O-Ring                 |
| 9:2  | 237-79      | 1    | O-Ring              | 19     | ST37529     | 1    | Clamp-Twin             |

● Not serviced separately



## Hydraulic Hose and Fitting Assembly (continued)

| Ref. | Part Number | Qty. | Description      | Ref. | Part Number | Qty. | Description      |
|------|-------------|------|------------------|------|-------------|------|------------------|
| 20   | 3256-3      | 1    | Washer-Flat      | 25   | 125-8559    | 2    | HYD Hose ASM     |
| 21   | 322-6       | 1    | Screw-HH         | 26   | 340-6       | 2    | Fitting-Straight |
| 23   | 340-66      | 2    | Fitting-Straight | 26:1 | 237-30      | 1    | O-Ring           |
| 23:1 | 237-80      | 1    | O-Ring           | 26:2 | 237-80      | 1    | O-Ring           |
| 23:2 | 237-58      | 1    | O-Ring           | 27   | 1-303335    | 3    | Tie-Plastic      |
| 24   | ST50975     | 2    | Fitting-HYD      |      |             |      |                  |

● Not serviced separately

**Notes:**

**Notes:**

**Notes:**



**Count on it.**