



Mulching Kit for 44" Side Discharge Mowers

MODEL NO. 59226

**INSTALLATION
INSTRUCTIONS**

Loose Parts

Note: Use the chart below to verify all parts have been shipped.

| DESCRIPTION | QTY. | USE |
|-----------------------|------|----------------------------------|
| Blades | 3 | Replaces side discharge blades. |
| Baffle | 1 | Mount baffles inside mower deck. |
| Bolt, 5/16"–18 x 3/4" | 4 | |
| Locknut, 5/16"–18 | 4 | |

Pre-Installation

1. Remove mower unit (see Operator's Manual for instructions).
2. Thoroughly clean mower deck. All debris must be removed to ensure baffle will fit properly against mower deck.
3. Repair all bent or damaged areas of mower deck and replace any missing parts.
4. Remove belt covers from mower deck.
5. Tip mower deck upside down and block up ends to ease installation of mulcher components.

Removing Existing Blades

1. Remove blades and anti-scalp cups from spindles.

Note: Save blades and anti-scalp cups for use when in side discharging mode.

WARNING

POTENTIAL HAZARD

- Blade is sharp.

WHAT CAN HAPPEN

- Contact with sharp blade can cause serious personal injury.

HOW TO AVOID THE HAZARD

- Wear gloves or wrap sharp edges of the blade with a rag.

Installing Baffle

Note: There is one hole that is already drilled for installing the baffle. This hole is filled by a short bolt and nut. Remove this nut and bolt and save for future use (Fig. 1 and 2).

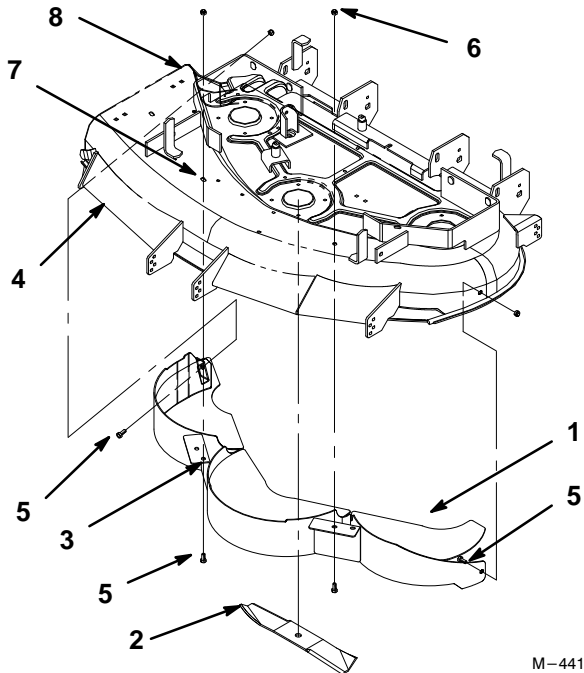


Figure 1

- | | |
|--|----------------------------|
| 1 Baffle | 5 Bolt |
| 2 Blade (Sail faces deck) | 6 Lock Nut |
| 3 Bolt Location in Baffle for pre-drilled hole | 7 Pre-drilled hole in deck |
| 4 Deck | 8 Hole to drill |

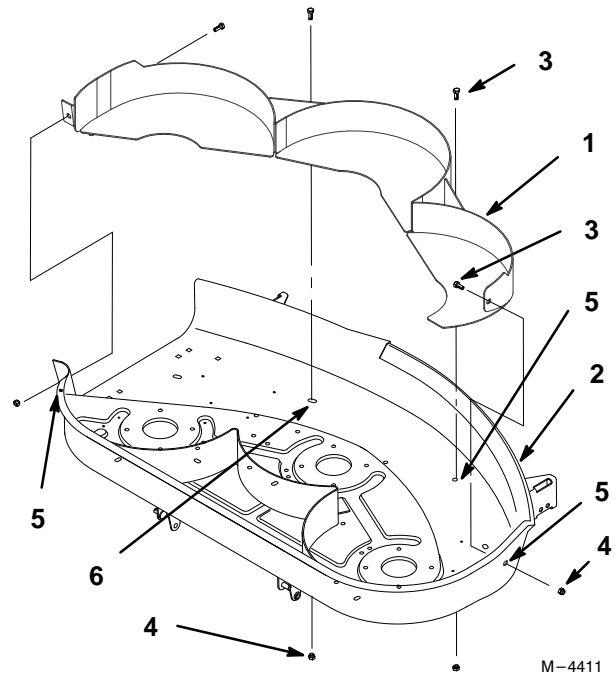


Figure 2

- | | |
|------------|--------------------|
| 1 Baffle.. | 4 Lock Nut |
| 2 Deck | 5 Hole to drill |
| 3 Bolt | 6 Pre-drilled Hole |

1. Place baffle in the cutting chamber (Fig. 2).

Note: When installing bolts, the bolt heads need to be on the inside of cutting deck.

2. Install a bolt and nut into the one pre-drilled hole (Fig. 1 and 2).

Note: When installing bolt into pre-drilled hole, notice which hole it is installed through the baffle (Fig. 1).

3. Install new mulching blades after the baffle is in place and without anti-scalp cups (Fig. 1).

IMPORTANT: The sail part of the blades (i.e., the turned up section) must face the inside of the mower (Fig. 1).

4. Tighten the blade mounting bolts to 85–110 ft-lb (115–150 Nm).
5. To determine where you need to drill holes, arrange the baffle in the mower as shown in Figure 3. Rotate the center blade to ensure that there is a 1/4" of clearance between the tip of the center blade and the baffle.

Note: Use the center blade to determine the location of the baffle.

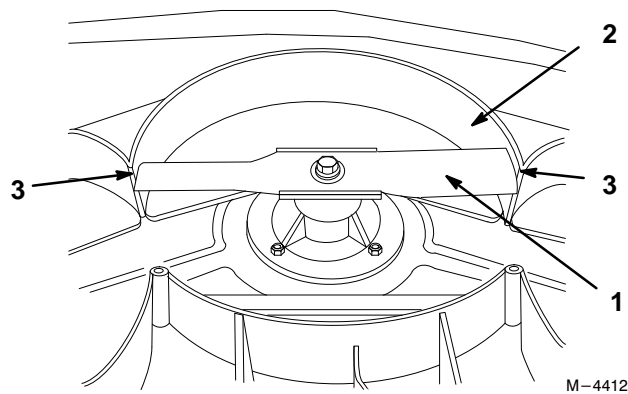


Figure 3

- | | |
|----------------|------------------|
| 1 Center Blade | 3 1/4" Clearance |
| 2 Baffle | |

6. Mark the location of the 3 remaining baffle mounting holes (Fig. 2).

Note: There may be a slight gap on the discharge side where the bracket meets the deck.

7. Drill (3) 11/32" holes at the marked locations in the mower.
8. Install and tighten all mounting hardware securely (Fig. 1 and 2).
9. Rotate all the blades to ensure that there is at least 1/4" clearance between the blades and baffles.

! WARNING

POTENTIAL HAZARD

- A blade that is bent or damaged could break apart and pieces could be thrown at bystanders or at you as you use the mower.

WHAT CAN HAPPEN

- Pieces of blade that may be thrown could seriously injure or kill you or bystanders.

HOW TO AVOID THE HAZARD

- Always replace bent or damaged blade with a new blade.
- Never file or create sharp notches in the edges or surfaces of blade.

10. If the blades touch the baffle repeat the steps in Installing Baffle section.
11. Make sure all holes in deck are plugged with a nut and bolt.

! DANGER

POTENTIAL HAZARD

- Open holes in the mower exposes you and others to thrown debris.

WHAT CAN HAPPEN

- Debris thrown out of holes in the mower can cause injury.

HOW TO AVOID THE HAZARD

- Never operate mower without hardware mounted in all holes in mower.
- Install hardware in mounting holes when mulching baffle is removed.

Reinstall Deck

1. Turn mower deck over, rightside up.
2. Install belt and belt covers onto mower deck.
3. Install mower unit (see Operator's Manual for instructions).

Mulching Tips

Selecting The Proper Height-Of-Cut Setting To Suit Conditions – Remove approximately one inch or no more than $\frac{1}{3}$ of the grass blade when cutting. In exceptionally lush and dense grass you may have to raise the height-of-cut setting another notch or convert to side discharge or bagging operations.

Mowing In Extreme Conditions – Air is required to cut and recut grass clippings in mower housing, so do not set height-of-cut too low or totally surround housing by uncut grass. Always try to have one side of the mower housing free from uncut grass, allowing air to be drawn into housing. When making an initial cut thru center of uncut area, operate machine slower and back up if mower starts to clog.

Mow At Proper Intervals – Under most normal conditions you'll need to mow every 4–5 days. However, grass grows at different rates at different times. Thus, in order to maintain the same height-of-cut, which is a good practice, you'll need to cut more frequently in early spring; as the grass growth rate slows in mid summer, cut only every 8–10 days. If you are unable to mow for an extended period due to weather conditions or other reasons, convert to side discharge or bagging options or mow first with the height-of-cut at a high level; then mow again 2–3 days later with a lower height setting.

Always Mow With Sharp Blades – A sharp blade cuts cleanly and without tearing or shredding the grass blade like a dull blade. Tearing and shredding causes the grass to turn brown at the edges which impairs growth and increases susceptibility to disease.

After Operating – To ensure optimum performance, clean underside of mower housing after each use. If residue is allowed to build up in mower housing cutting performance will decrease.