



**Count on it.**

**Parts Catalog**

**MMX-655H-S**

**Mortar Mixer**

Model No. 60213—Serial No. 404320000 and Up



# Ordering Replacement Parts

To order replacement parts, please supply the part number, the quantity, and the description of each part desired.

## Understanding Reference Numbers

Each identified part in an illustration has a reference number. The reference number for a part also appears in the parts list, along with other information about the part.

This catalog uses two special reference number formats, one to indicate parts in a service assembly and another to indicate the quantity of a given part in an illustration.

## Service Assembly Reference Numbers

Parts in service assemblies have reference numbers in the form a:b. The a represents the reference number of the entire service assembly and the b represents a sequential number unique to each part within the service assembly.

For example, a wheel assembly might be identified by reference number 6, the tire by 6:1, the valve by 6:2, and the wheel by 6:3. When you order the assembly identified by reference number 6, you receive all parts identified by reference numbers 6:1, 6:2, and 6:3. However, you may also order any part individually. Reference numbers of this type appear in illustration and in parts lists.

## Reference Numbers Indicating Quantity

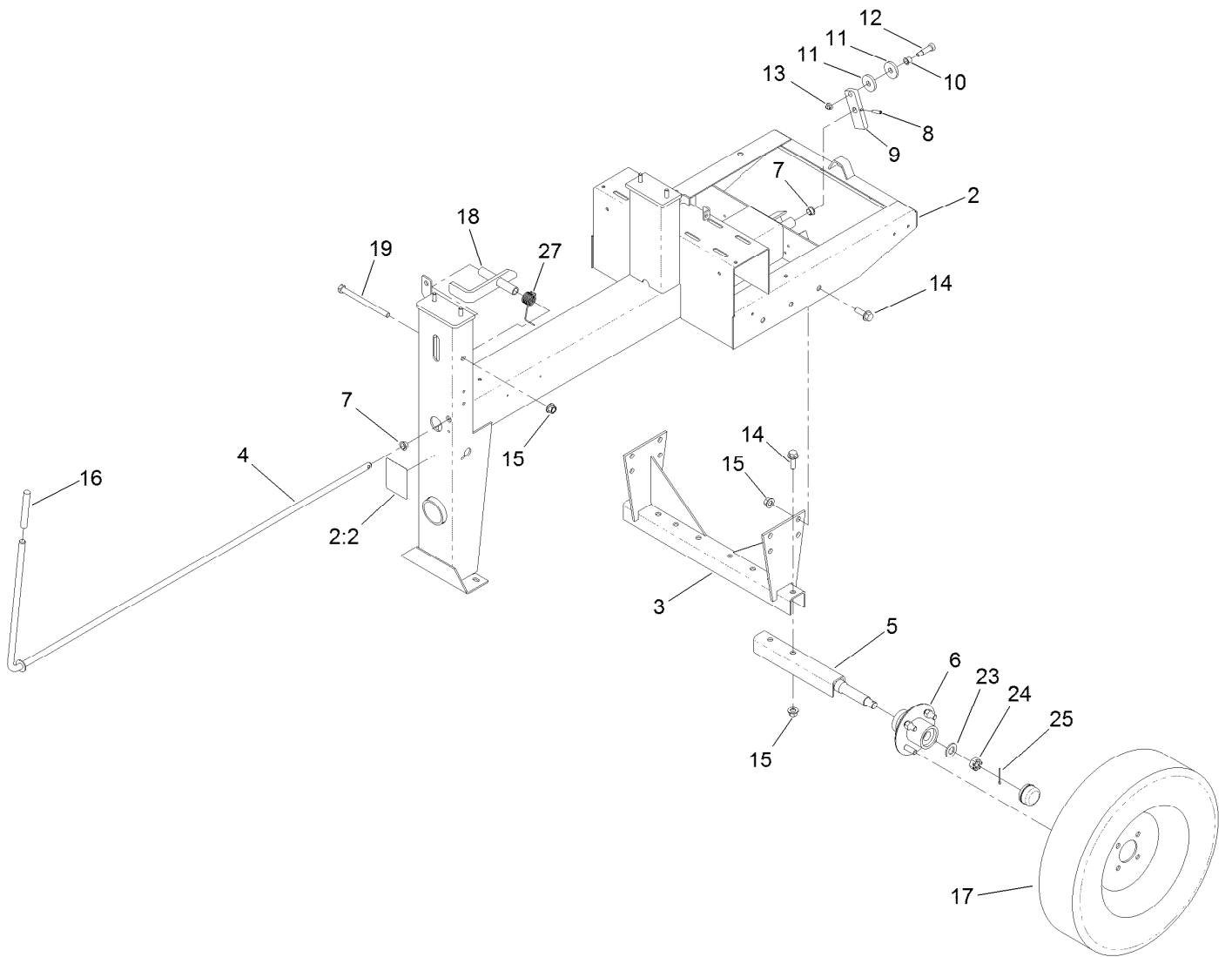
In an illustration, if a reference number indicates more than one part, the reference number has the form nX y. The n represents the quantity of the part, the X is the multiplication symbol, and the y represents the reference number.

For example, in an illustration, the reference number 2X 37 means that two of the parts identified by reference number 37 are indicated.

# Contents

Frame and Axle Assembly .....	4
Hub Assembly No. 125-8171 .....	6
Drum Assembly .....	8
Drive Assembly .....	10
Pinion Assembly No. 131-5704 .....	12
Cowl Assembly .....	14
Attachments and Accessories .....	16

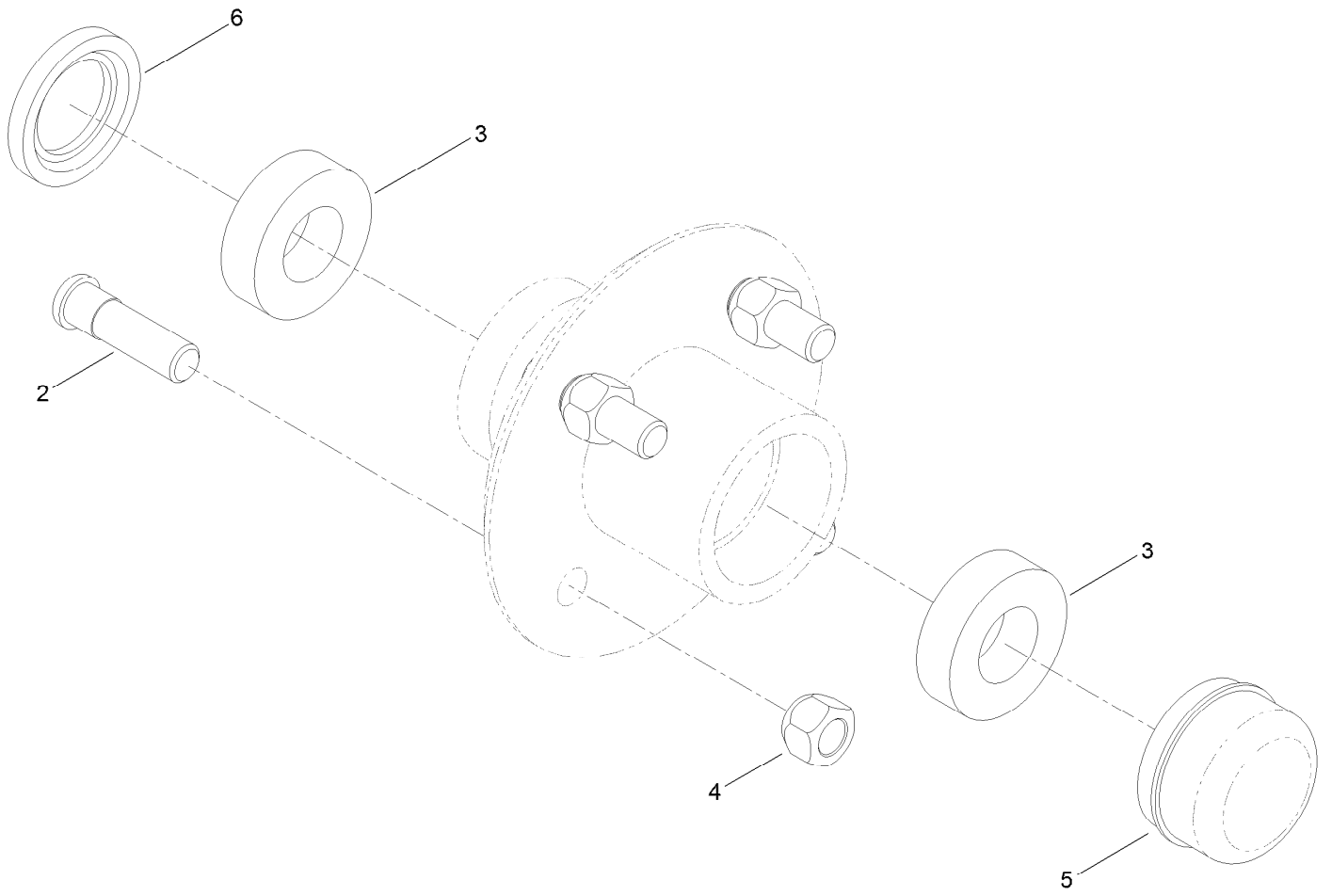
# Frame and Axle Assembly



## Frame and Axle Assembly (continued)

<i>Ref.</i>	<i>Part Number</i>	<i>Qty.</i>	<i>Description</i>	<i>Ref.</i>	<i>Part Number</i>	<i>Qty.</i>	<i>Description</i>
2	131-7532	1	Frame ASM	13	104-8301	1	Nut-HF, NI
2:2	125-8216	1	Decal-Safety Chain, Towing	14	100-6116	8	Screw-HHF
3	125-8219-03	1	Support-Axle	15	99-5107	9	Nut-Lock
4	131-5251-03	1	Lever-Clutch	16	ST34687	1	Grip-Handle
5	ST22512-03	2	Axle-Half	17	ST32306	2	Tire And Rim ASM
6	125-8171	2	Hub ASM	18	132-7154-03	1	Latch-Drum
7	ST32116	2	Bushing-Flange	19	325-33	1	Screw-HH
8	32121-69	1	Pin-Spring	23	3256-28	2	Washer-Flat
9	ST39446	1	Link-Clutch	24	ST80054	2	Nut
10	ST32099	1	Bushing-Flange	25	3272-13	2	Pin-Cotter
11	ST26326	2	Washer-Flat	27	132-3852	1	Spring-Torsion
12	ST81153	1	Screw-HSBH				

# Hub Assembly No. 125-8171

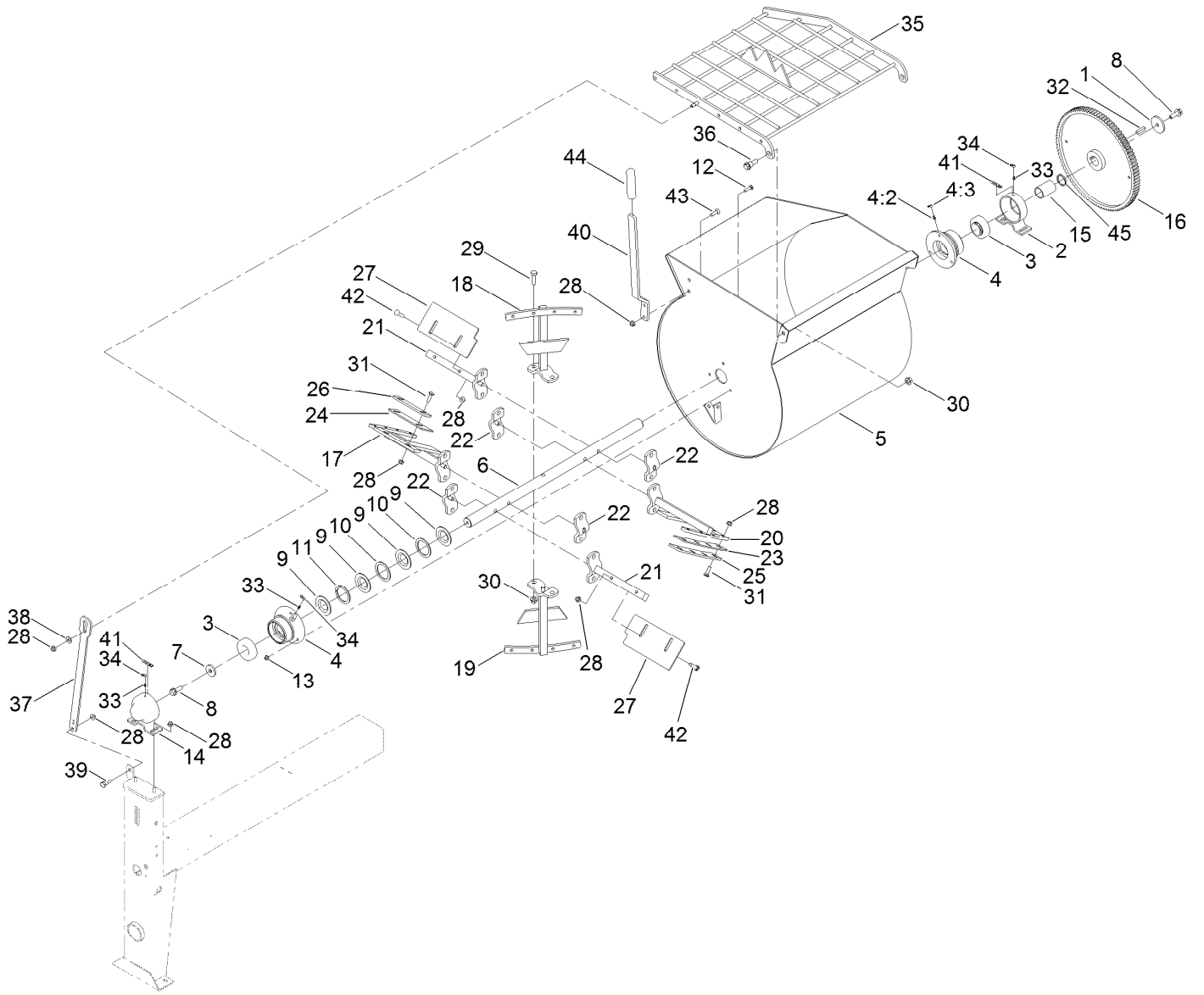


## Hub Assembly No. 125-8171 (continued)

<i>Ref.</i>	<i>Part Number</i>	<i>Qty.</i>	<i>Description</i>
2	ST39190	4	Stud-Wheel
3	ST32233	2	Bearing-Roller
4	ST80045	4	Nut-Lug

<i>Ref.</i>	<i>Part Number</i>	<i>Qty.</i>	<i>Description</i>
5	ST34573	1	Cap-Dust
6	ST32052	1	Seal-Hub, Wheel

# Drum Assembly

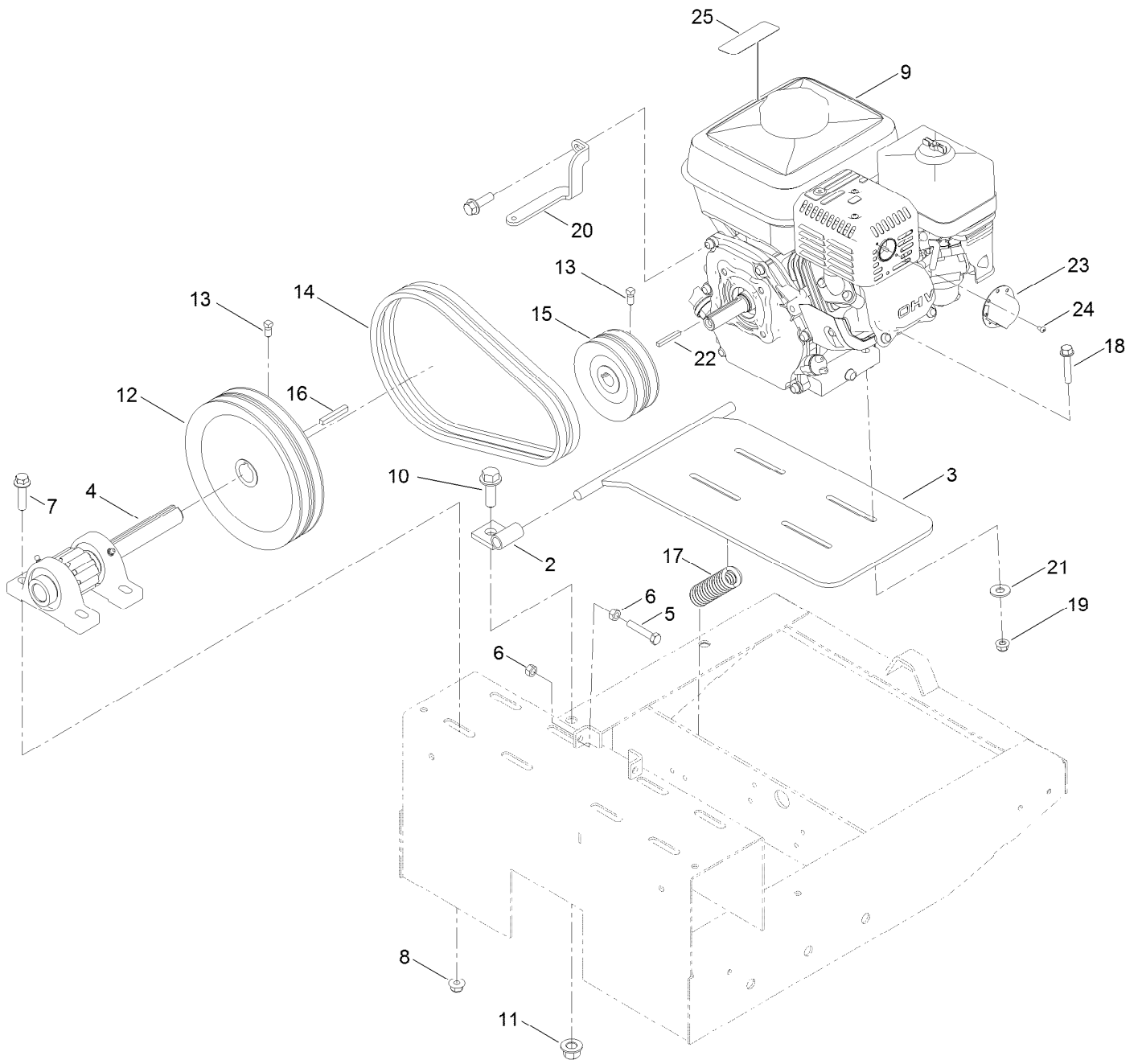




## Drum Assembly (continued)

<i>Ref.</i>	<i>Part Number</i>	<i>Qty.</i>	<i>Description</i>	<i>Ref.</i>	<i>Part Number</i>	<i>Qty.</i>	<i>Description</i>
1	138-3162	1	Washer-Plain	23	131-5262	4	Blade-Rubber, Top
2	ST24021-01	1	Trunnion	24	131-5261	2	Paddle-Rubber, Mixer End
3	ST32003	2	Bearing-Ball	25	131-5285-01	4	Plate-Backer, Top
4	132-4117	2	Kit-Housing, Bearing	26	131-5722-01	2	Bar-Backer, End
4:2	ST46042	1	Fitting-Grease	27	131-5717-01	2	Bar-Backer, Pusher End
4:3	ST47001	1	Cap-Plug	28	104-8301	32	Nut-HF, NI
5	131-5231-01	1	Drum	29	325-7	10	Screw-HH
6	131-5237-01	1	Shaft-Paddle	30	99-5107	12	Nut-Lock
7	ST26326	1	Washer-Flat	31	3231-25	20	Bolt-CARR
8	130-6482	2	Screw-HHF	32	ST81060	1	Key-Square
9	ST32324	8	Seal-Drum	33	ST46042	4	Fitting-Grease
10	ST24017	4	Washer-Flat	34	ST47001	4	Cap-Plug
11	ST25881	2	Washer-Split	35	131-5277-01	1	Grate
12	3230-3	6	Screw-CARR	36	116-0780	2	Screw-Shoulder, HHF
13	104-8300	6	Nut-HF, NI	37	131-5288-03	1	Arm-Lift, Grate
14	ST36574-01	1	Trunnion-Capped	38	80-6990	1	Washer-Hardened
15	137-0647	1	Spacer-Tubular	39	80-1300	1	Bolt-Shoulder
16	ST26933-03	1	Gear-94 Teeth	40	131-7527-01	1	Handle-Dump
17	131-5278-01	1	Paddle-Front	41	125-8175	2	Decal-Grease
18	131-5281-01	1	Paddle-Mid	42	3231-29	4	Screw-CARR
19	131-5283-01	1	Paddle-Mid	43	3231-28	2	Screw-CARR
20	131-5284-01	1	Paddle-Rear	44	104-9838	1	Grip-Foam
21	130-2282-01	2	Paddle-Pusher	45	138-3163	1	Spacer-Shaft, Drum
22	ST24107-01	4	Clamp				

# Drive Assembly



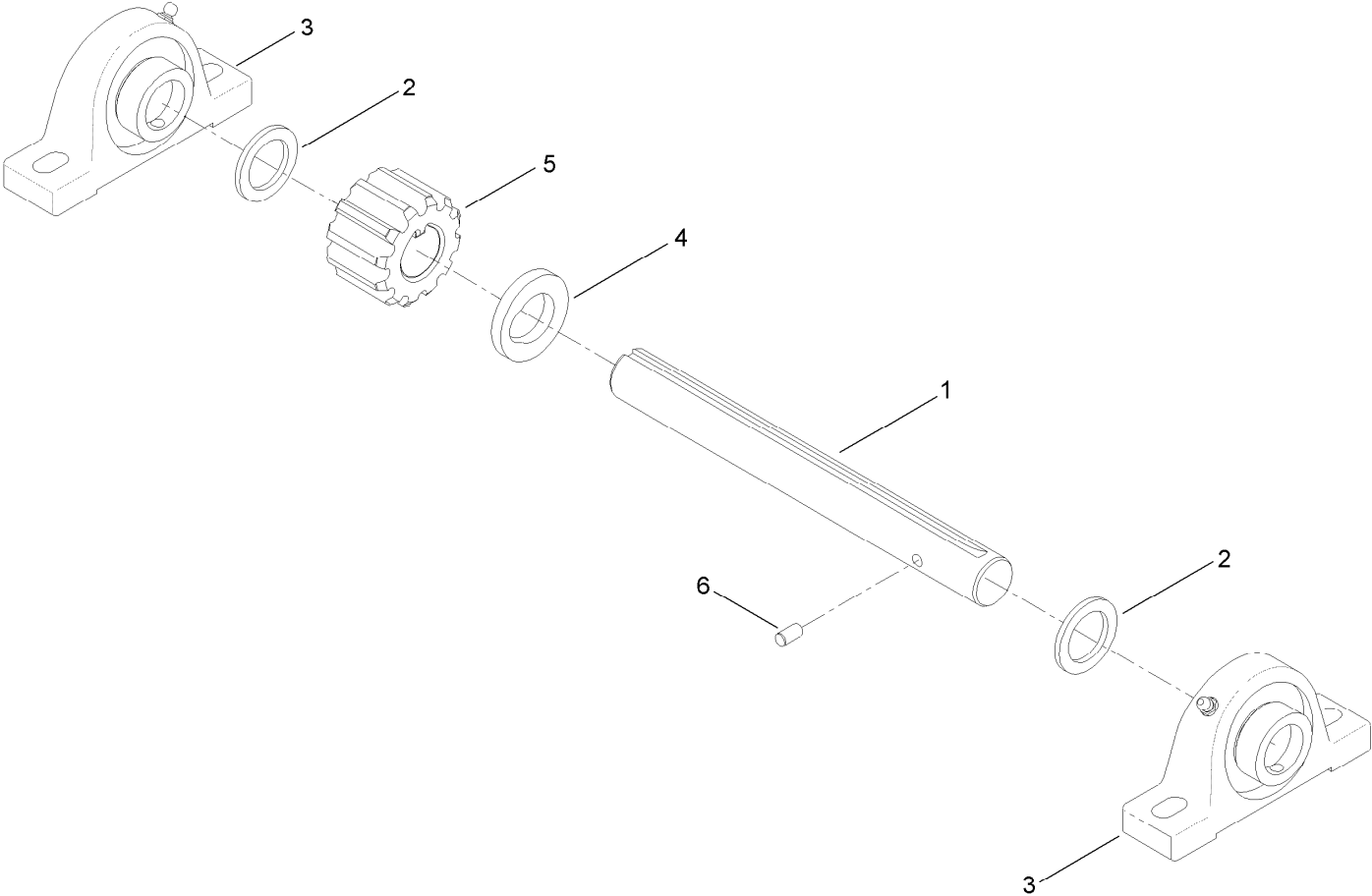
## Drive Assembly (continued)

<i>Ref.</i>	<i>Part Number</i>	<i>Qty.</i>	<i>Description</i>	<i>Ref.</i>	<i>Part Number</i>	<i>Qty.</i>	<i>Description</i>
2	ST57786-03	2	Mount-Motor	14	ST34052	2	Belt-V
3	ST39565-03	1	Base-Motor	15	ST38664	1	Sheave
4	131-5704	1	Pinion ASM	16	7-0238	1	Key-Square
5	322-41	1	Screw-HH	17	ST34849	1	Spring
6	3217-6	2	Nut-Hex	18	94-5780	4	Screw-HWH
7	114-4681	4	Screw-HHF	19	104-8300	4	Nut-HF, NI
8	104-8301	4	Nut-HF, NI	20	127-1665-03	1	Guide-Belt
9		1	Engine-Honda, Gx160 ■●	21	3256-4	4	Washer-Flat
10	100-6116	2	Screw-HHF	22	ST37716	1	Key-Square
11	99-5107	2	Nut-Lock	23	125-3866	1	Deflector
12	ST38450	1	Sheave	24	125-0519	2	Screw-Self Tapping
13	1-803022	4	Screw-Set	25	130-8322	1	Decal-Warning, Ethanol

● Not serviced separately

■ Obtain parts from [www.honda-engines.com](http://www.honda-engines.com)

# Pinion Assembly No. 131-5704

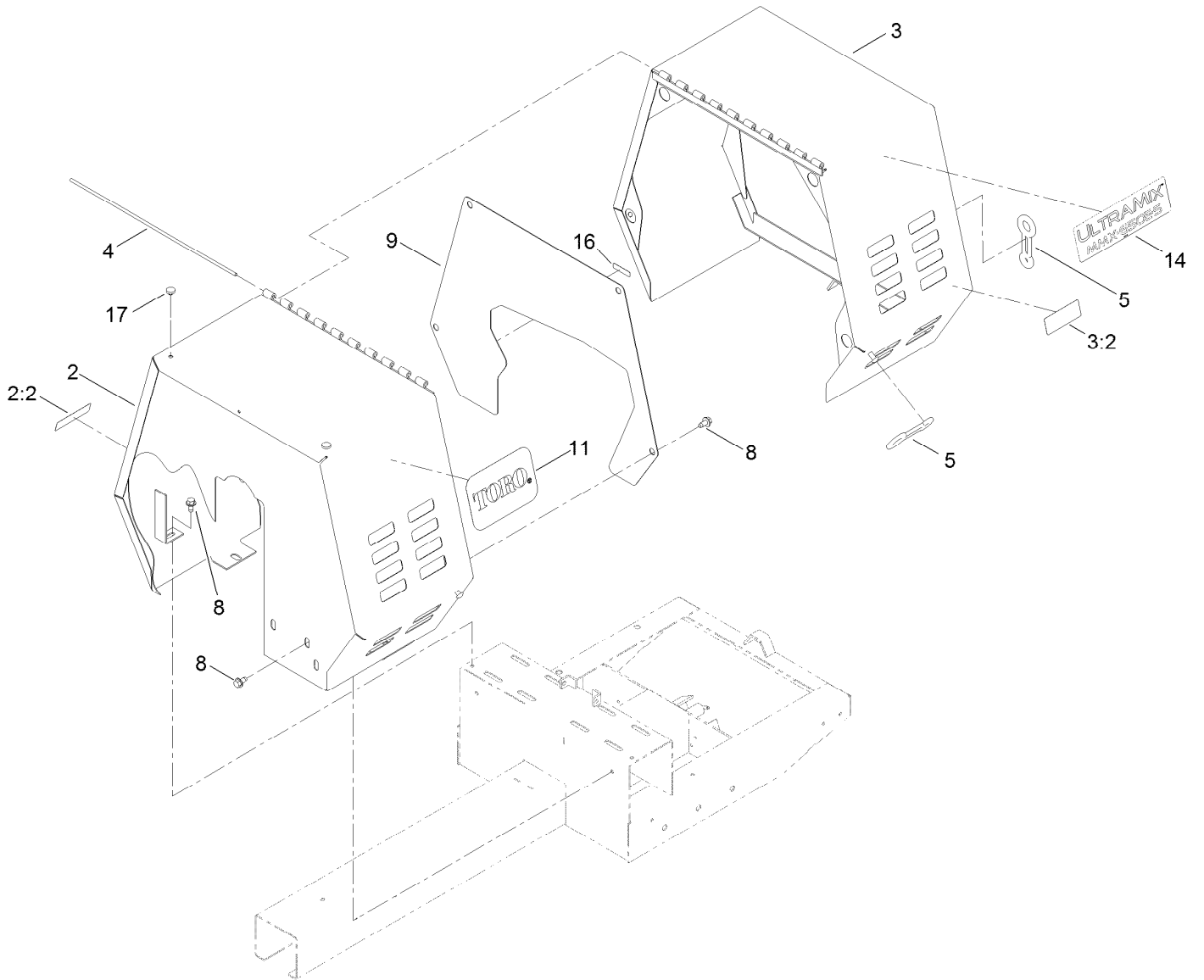


## Pinion Assembly No. 131-5704 (continued)

<i>Ref.</i>	<i>Part Number</i>	<i>Qty.</i>	<i>Description</i>
1	131-5705	1	Shaft-Pinion
2	3-8514	2	Washer-Thrust
3	ST32208	2	Bearing-Block, Pillow

<i>Ref.</i>	<i>Part Number</i>	<i>Qty.</i>	<i>Description</i>
4	131-5706	1	Washer
5	ST57625	1	Gear-Spur
6	95-0715	1	Pin-Dowel

# Cowl Assembly



## Cowl Assembly (continued)

<i>Ref.</i>	<i>Part Number</i>	<i>Qty.</i>	<i>Description</i>	<i>Ref.</i>	<i>Part Number</i>	<i>Qty.</i>	<i>Description</i>
2	127-1683	1	Stationary Cowl ASM	9	125-6310-03	1	Plate-Guard
2:2	133-8062	1	Decal-Arrestor, Spark	11	67-7320	2	Decal
3	127-1685	1	Movable Cowl ASM	14	131-5726	2	Decal
3:2	125-4939	1	Decal-Warning	16	125-8175	1	Decal-Grease
4	ST44368	1	Pin	17	1-513658	2	Bumper
5	ST47182	3	Latch-Rubber	18	132-3993	1	Decal-Service ●
8	110-9380	10	Screw-HWH				

● Not illustrated

# Attachments and Accessories

## For 60213 MMX-655H-S Mortar Mixer

<b>Product Name</b>	<b>Model/Part</b>
Rubber Blades Kit.....	132-7155
31in Forged Tow Pole Hitch .....	68056
31in Pintel Tow Pole Hitch .....	68058
31in Stamped Tow Pole Hitch .....	68060
Trailer Light Kit.....	68062



**Notes:**

**Notes:**

**Notes:**



**Count on it.**