



Count on it.

Parts Catalog

FP-4000

Forward Plate Compactor

Model No. 68027—Serial No. 404320000 and Up



Ordering Replacement Parts

To order replacement parts, please supply the part number, the quantity, and the description of each part desired.

Understanding Reference Numbers

Each identified part in an illustration has a reference number. The reference number for a part also appears in the parts list, along with other information about the part.

This catalog uses two special reference number formats, one to indicate parts in a service assembly and another to indicate the quantity of a given part in an illustration.

Service Assembly Reference Numbers

Parts in service assemblies have reference numbers in the form a:b. The a represents the reference number of the entire service assembly and the b represents a sequential number unique to each part within the service assembly.

For example, a wheel assembly might be identified by reference number 6, the tire by 6:1, the valve by 6:2, and the wheel by 6:3. When you order the assembly identified by reference number 6, you receive all parts identified by reference numbers 6:1, 6:2, and 6:3. However, you may also order any part individually. Reference numbers of this type appear in illustration and in parts lists.

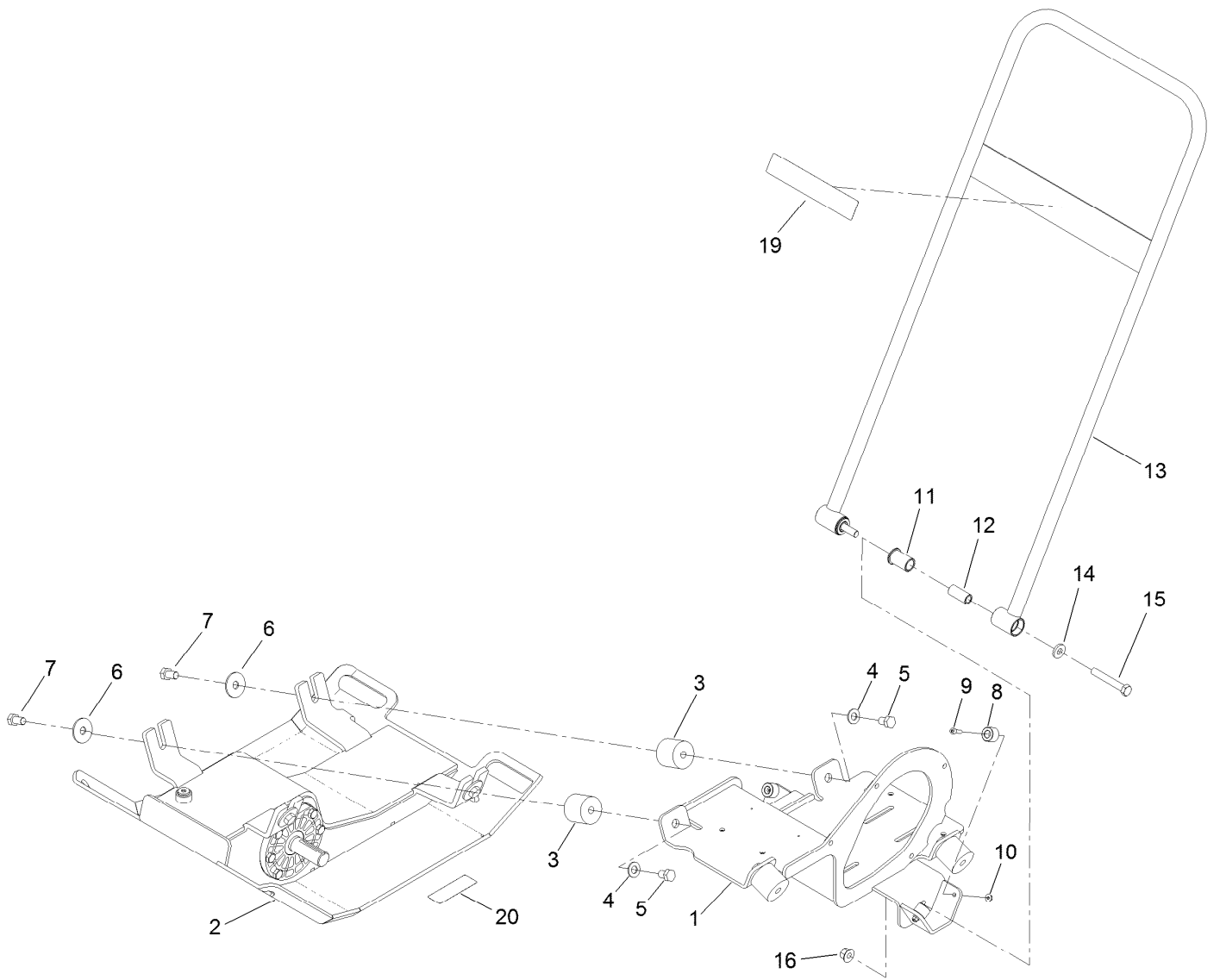
Reference Numbers Indicating Quantity

In an illustration, if a reference number indicates more than one part, the reference number has the form nX y. The n represents the quantity of the part, the X is the multiplication symbol, and the y represents the reference number.

For example, in an illustration, the reference number 2X 37 means that two of the parts identified by reference number 37 are indicated.

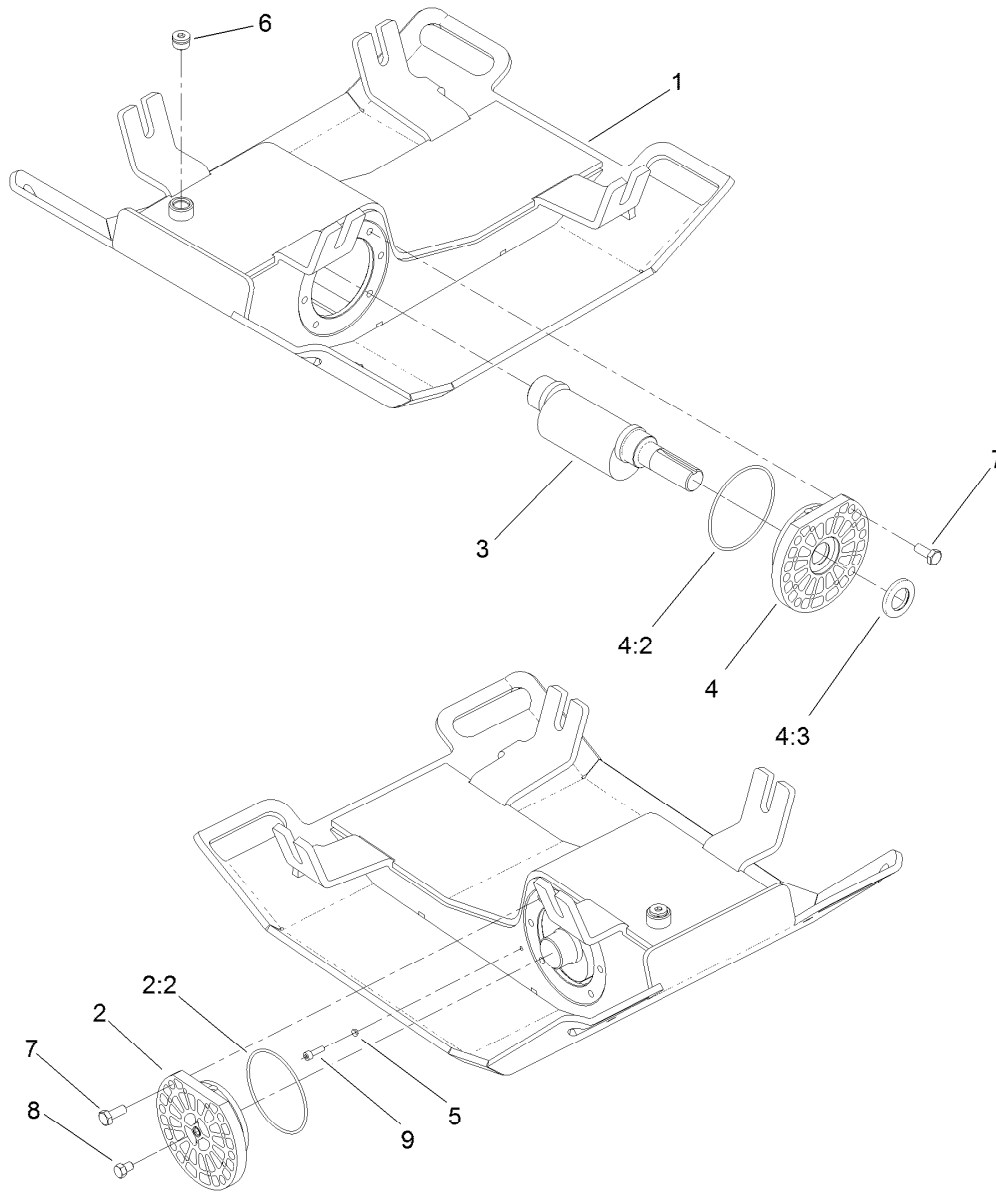
Contents

Handle and Base Assembly 4
Base Assembly No. 125-6237 5
Engine Assembly 6
Roll Cage and Water Tank Assembly 7



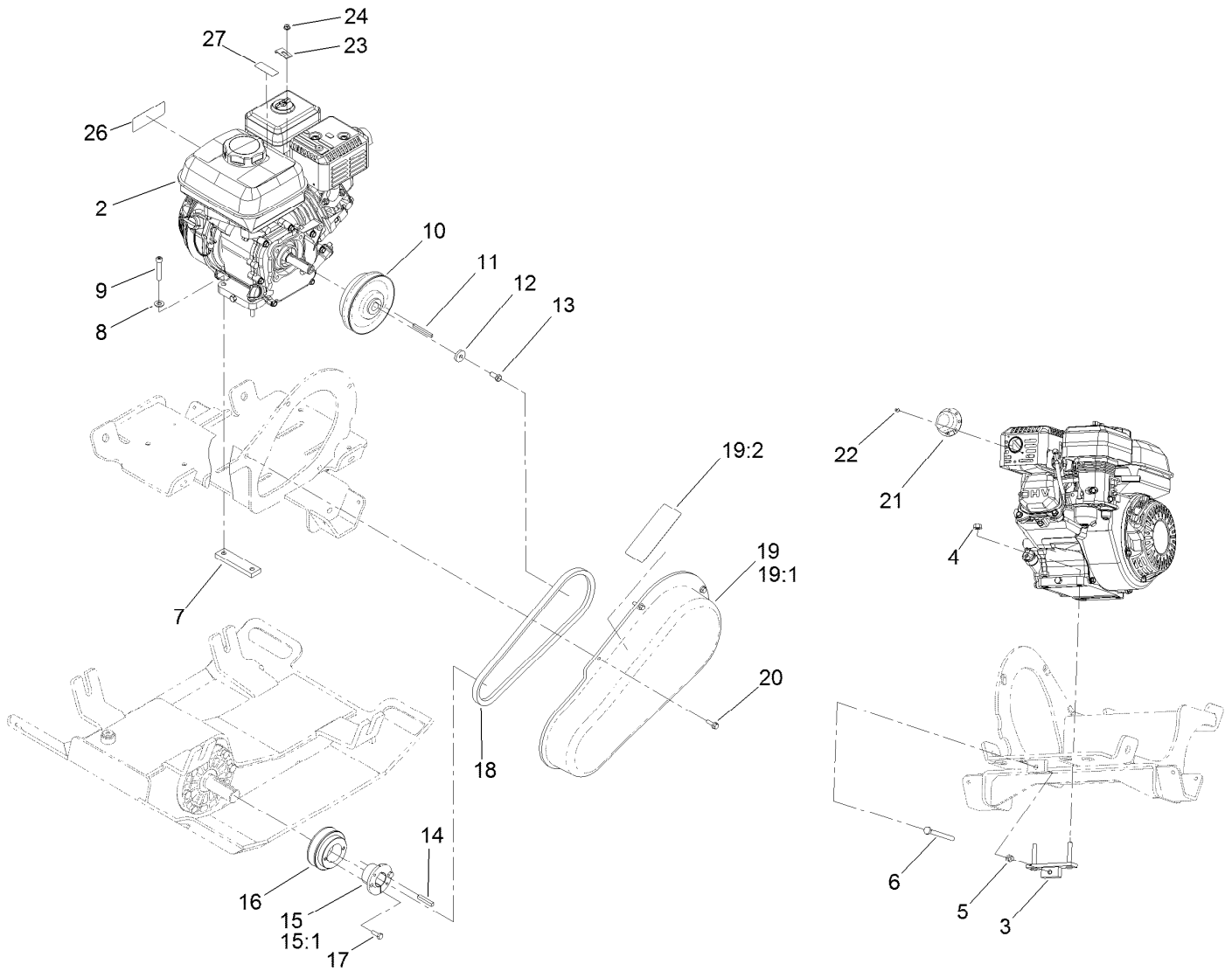
Handle and Base Assembly

<i>Ref.</i>	<i>Part Number</i>	<i>Qty.</i>	<i>Description</i>	<i>Ref.</i>	<i>Part Number</i>	<i>Qty.</i>	<i>Description</i>
1	125-6249-03	1	Deck-Engine	10	33003-00	4	Nut-HF
2	125-6237	1	Base ASM	11	ST50263	2	Bushing-Handle, Main Plate
3	132-3869	4	Mount-Shock	12	ST50264	2	Spacer-Handle, Pivot
4	3256-26	4	Washer-Flat	13	ST50260-03	1	Handle-Main
5	325-2	4	Screw-HH	14	ST80891	2	Washer-Flat
6	86-1990	4	Washer-Thrust	15	33116-080	2	Screw-HH
7	325-3	4	Screw-HH	16	115-1115	2	Nut-Lock, HHF
8	ST50265	4	Spacer-Stop, Handle	19	125-4930	1	Decal
9	ST81213	4	Screw-HSH	20	117-4979	1	Decal-Warning



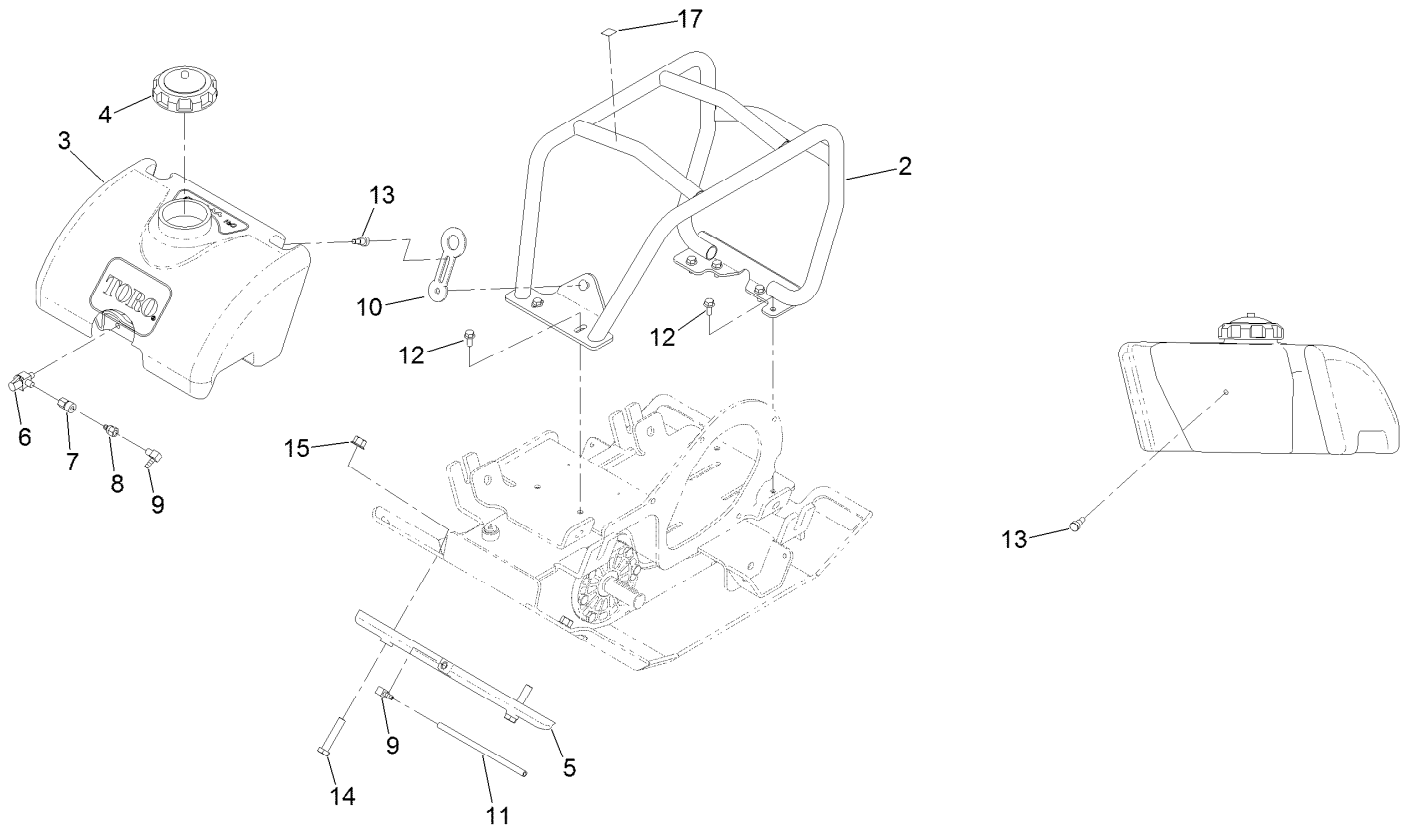
Base Assembly No. 125-6237

Ref.	Part Number	Qty.	Description
1	127-2821	1	Base
2	ST22063	1	Plate Cap Bearing ASM
2:2	ST32033	1	O-Ring
3	ST21543	1	Shaft-Eccentric
4	ST22062	1	Plate Cap Bearing ASM
4:2	ST32033	1	O-Ring
4:3	ST32047	2	Seal-Shaft
5	ST81210	1	Washer-Sealing, Nyltite
6	ST47647	1	Fitting-HYD
7	43-0090	12	Screw-HH
8	ST80185	1	Screw-HH
9	ST81213	1	Screw-HSH



Engine Assembly

<i>Ref.</i>	<i>Part Number</i>	<i>Qty.</i>	<i>Description</i>	<i>Ref.</i>	<i>Part Number</i>	<i>Qty.</i>	<i>Description</i>
2	125-4813	1	Engine-Honda, Gx160	15:1	3245-42	1	Screw-Set
3	ST50257	1	Bracket-Adjuster, Engine	16	ST28314	1	Sheave-Eccentric
4	33004-00	2	Nut-HF	17	321-4	2	Screw-HH
5	33014-00	1	Nut-Hex	18	ST50500	1	Belt-V
6	ST81191	1	Screw	19	127-2819	1	Guard-Belt
7	ST50506	1	Plate-Nut, Engine	19:1	125-4805	1	Guard-Belt
8	33094-00	2	Washer-Plain	19:2	125-4943	1	Decal-Warning, Plate
9	127-0517	2	Screw-HSH	20	33103-020	4	Screw-HHF
10	ST32347	1	Clutch, S-Plate	21	125-3866	1	Deflector
11	ST80611	1	Key-Square	22	125-0519	2	Screw-Self Tapping
12	ST39233	1	Washer	23	ST42790	1	Clip-Throttle
13	3235-6	1	Screw-HH	24	32128-17	1	Nut-Lock, Flange
14	67-7490	1	Key-Square	26	133-8062	1	Decal-Arrestor, Spark
15	138-3106	1	Bushing-Locking	27	130-8322	1	Decal-Warning, Ethanol



Roll Cage and Water Tank Assembly

<i>Ref.</i>	<i>Part Number</i>	<i>Qty.</i>	<i>Description</i>
2	ST50215-03	1	Cage-Roll
3	125-4810	1	Tank-Water
4	ST47241	1	Cap-Plastic
5	125-8217	1	Sprinkler
6	ST50497	1	Valve-Ball
7	ST50498	1	Fitting-Quick, Female
8	ST50499	1	Fitting-Quick, Female, Nipple
9	ST34486	2	Fitting-HYD, 90 DEG
10	ST47182	1	Latch-Rubber
11	125-8733	1	Hose-Water
12	33104-020	6	Screw-HHF
13	ST81130	1	Screw-HSBH
14	33116-060	2	Screw-HH
15	115-1115	2	Nut-Lock, HHF
17	93-9084	1	Decal-Point, Lift



Count on it.