



Count on it.

Parts Catalog

**Multi Pro® WM
Turf Sprayer**

Model No. 41240—Serial No. 403460001 and Up



Ordering Replacement Parts

To order replacement parts, please supply the part number, the quantity, and the description of each part desired.

Understanding Reference Numbers

Each identified part in an illustration has a reference number. The reference number for a part also appears in the parts list, along with other information about the part.

This catalog uses two special reference number formats, one to indicate parts in a service assembly and another to indicate the quantity of a given part in an illustration.

Service Assembly Reference Numbers

Parts in service assemblies have reference numbers in the form a:b. The a represents the reference number of the entire service assembly and the b represents a sequential number unique to each part within the service assembly.

For example, a wheel assembly might be identified by reference number 6, the tire by 6:1, the valve by 6:2, and the wheel by 6:3. When you order the assembly identified by reference number 6, you receive all parts identified by reference numbers 6:1, 6:2, and 6:3. However, you may also order any part individually. Reference numbers of this type appear in illustration and in parts lists.

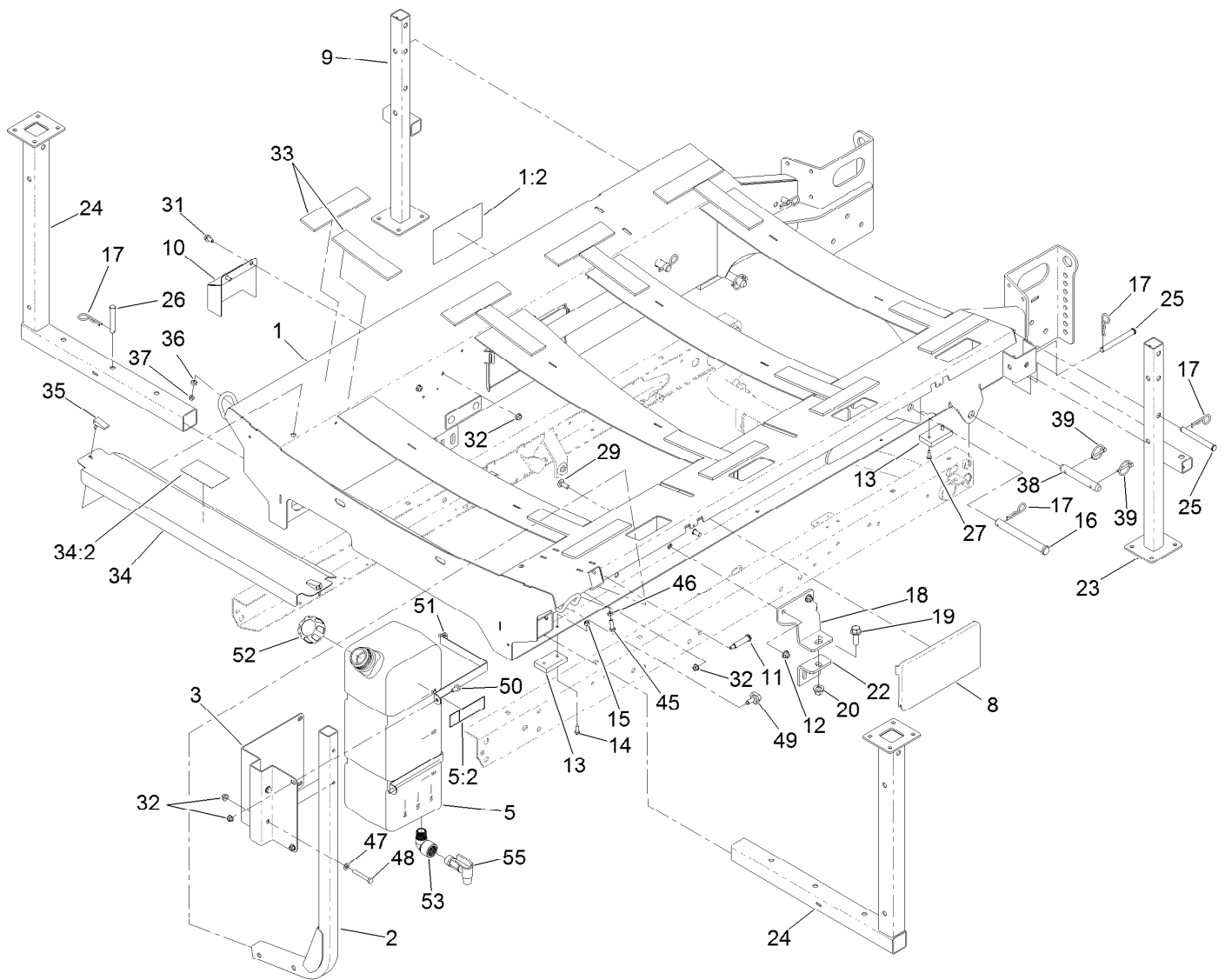
Reference Numbers Indicating Quantity

In an illustration, if a reference number indicates more than one part, the reference number has the form nX y. The n represents the quantity of the part, the X is the multiplication symbol, and the y represents the reference number.

For example, in an illustration, the reference number 2X 37 means that two of the parts identified by reference number 37 are indicated.

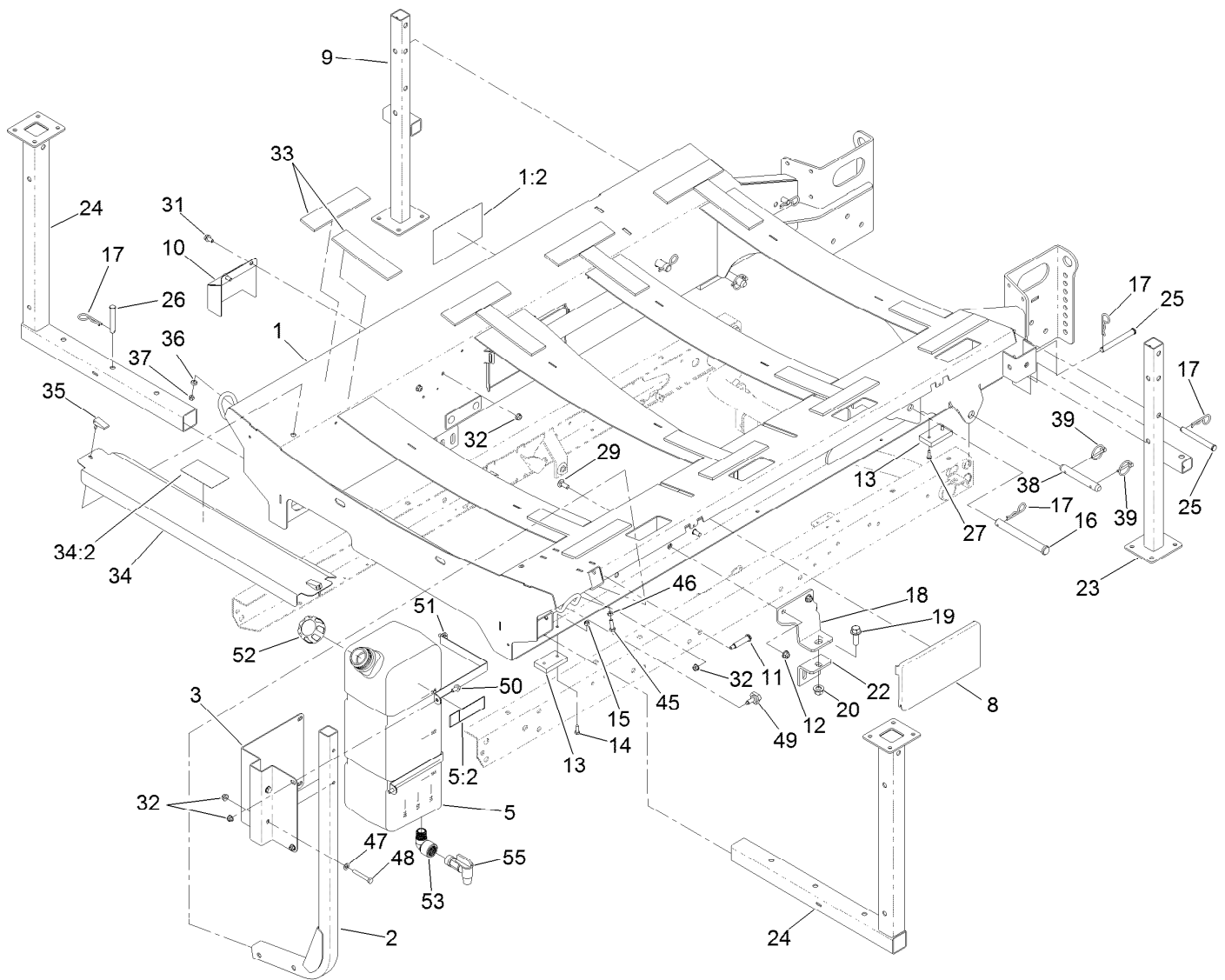
Contents

| | |
|--|----|
| Frame, Stand and Boom Mount Assembly | 4 |
| Control Console Assembly | 6 |
| Pump Mount Assembly | 7 |
| Pump Assembly No. 137-4230 | 8 |
| Spray Tank Assembly | 9 |
| 200 Gallon Spray Tank Assembly No. 138-8371 | 10 |
| Spray Tank Lid Assembly No. 119-9380 | 11 |
| Filter Assembly No. 130-7096 | 12 |
| Spray Valve Assembly | 13 |
| Agitation Valve Assembly | 14 |
| Regulating Valve Body Assembly No. 127-9804 | 15 |
| Actuator Regulating Valve Kit No. 131-3724 | 16 |
| On/Off Actuator Kit No. 131-3723 | 17 |
| Pressure Filter Assembly No. 131-3791 | 18 |
| Manifold Valve Kit No. 131-0253 | 19 |
| Manifold Valve Kit No. 131-7256 | 20 |
| Section Valve Manifold Assembly | 21 |
| On/Off Manifold Valve Kit No. 127-9803 | 22 |
| Actuator On/Off Kit No. 131-3723 | 23 |
| Bypass Valve Assembly No. 127-9805 | 24 |
| Hose Assembly | 25 |
| Boom Lift Assembly | 27 |
| Hydraulic Cylinder Assembly No. 117-0701 | 28 |
| On-Off Boom Lift Valve Assembly No. 136-2400 | 29 |
| Electrical Assembly | 30 |
| Center Boom Assembly | 31 |
| LH Single Turret Body Assembly No. 108-3725 | 33 |
| Double Turret Body Assembly No. 108-3727 | 34 |
| RH Single Body Turret Assembly No. 108-3726 | 35 |
| Boom Mounting Assembly | 36 |
| Left and Right Hand Boom Assembly | 37 |
| Attachments and Accessories | 38 |



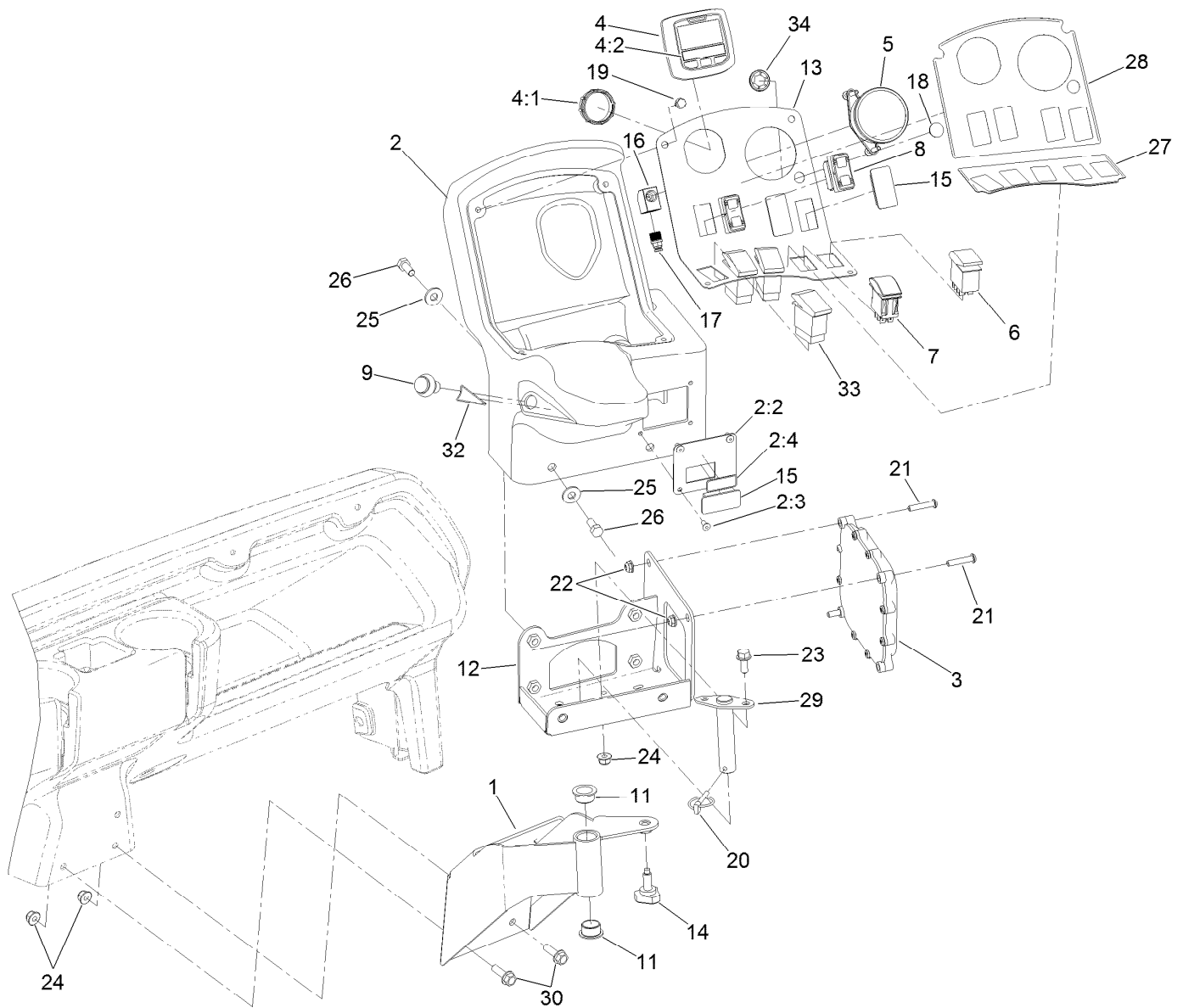
Frame, Stand and Boom Mount Assembly

| Ref. | Part Number | Qty. | Description | Ref. | Part Number | Qty. | Description |
|------|-------------|------|----------------------|------|-------------|------|-----------------------------|
| 1 | 127-3984 | 1 | Skid ASM | 24 | 125-0841-03 | 2 | Stand-Front |
| 1:2 | 127-3936 | 2 | Decal-Danger | 25 | 283-83 | 4 | Pin-Clevis |
| 2 | 131-5791-03 | 1 | Tube | 26 | 283-55 | 2 | Pin-Clevis |
| 3 | 131-5796-03 | 1 | Mount-Tank, Eye Wash | 27 | 49-2040 | 4 | Screw-HWHTF |
| 5 | 132-7745 | 1 | Fresh Water Tank ASM | 29 | 3231-2 | 4 | Bolt-CARR |
| 5:2 | 120-0616 | 3 | Decal-Water, Fresh | 31 | 3234-14 | 2 | Screw-HHF |
| 8 | 125-0798 | 2 | Cover-Access | 32 | 104-8300 | 10 | Nut-HF, NI |
| 9 | 125-8108-03 | 1 | Jack Stand-Rear, RH | 33 | 125-8094 | 16 | Pad-Tank |
| 10 | 125-8138-03 | 1 | Guard-Relay | 34 | 127-3985 | 1 | Skid Cover ASM |
| 11 | 136-7199 | 2 | Bolt-Shoulder | 34:2 | 127-3937 | 1 | Decal-Warning, Engine Cover |
| 12 | 104-8301 | 4 | Nut-HF, NI | 35 | 106-6777 | 2 | Handle-Latch, Swell |
| 13 | 93-9719 | 4 | Block-Wear | 36 | 106-6778 | 2 | Bushing-Latch, Swell |
| 14 | 321-4 | 4 | Screw-HH | 37 | 1-804254 | 2 | Nut-Lock, HH |
| 15 | 3296-42 | 4 | Nut-Lock, NI | 38 | 92-1233 | 2 | Pin-Clevis |
| 16 | 100-5569 | 2 | Pin-Clevis | 39 | 92-1298 | 4 | Pin-Lynch |
| 17 | 3290-343 | 8 | Pin-Hair | 45 | 322-5 | 1 | Screw-HH |
| 18 | 125-0809 | 2 | Bracket-Mount, Front | 46 | 3218-2 | 1 | Nut-Jam |
| 19 | 100-6116 | 2 | Screw-HHF | 47 | 3256-23 | 2 | Washer-Plain |
| 20 | 99-5107 | 2 | Nut-Lock | 48 | 322-11 | 2 | Screw-HH |
| 22 | 92-2667-03 | 2 | Bracket-Mount | 49 | 95-9648 | 2 | Knob |
| 23 | 125-0840-03 | 1 | Jack Stand-Rear | | | | |



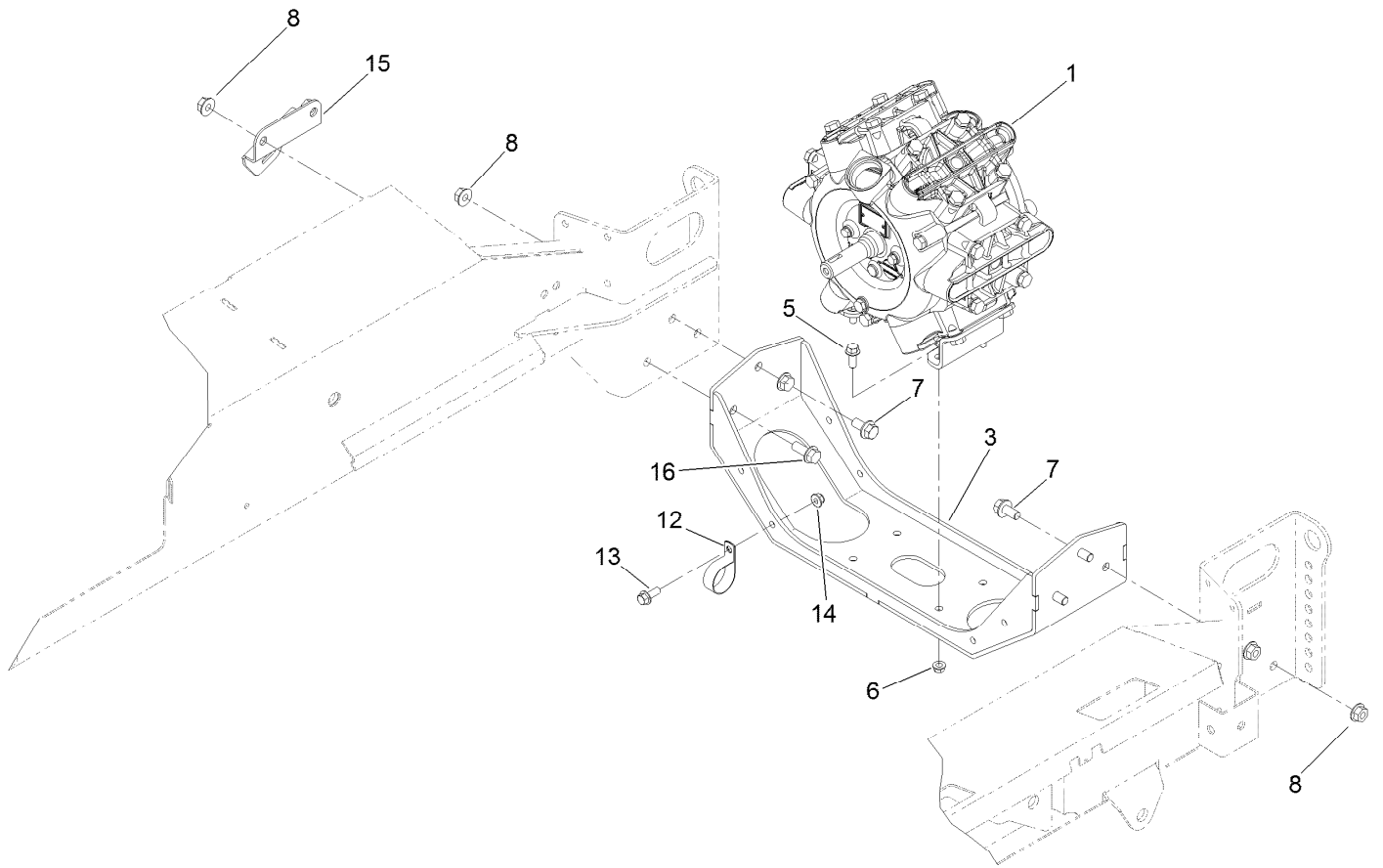
Frame, Stand and Boom Mount Assembly (continued)

| <i>Ref.</i> | <i>Part Number</i> | <i>Qty.</i> | <i>Description</i> | <i>Ref.</i> | <i>Part Number</i> | <i>Qty.</i> | <i>Description</i> |
|-------------|--------------------|-------------|---------------------|-------------|--------------------|-------------|--------------------|
| 50 | 3234-7 | 4 | Screw-HHF | 53 | 132-7706 | 1 | Elbow-90DEG |
| 51 | 132-7628-03 | 2 | Band-Tank, Eye Wash | 55 | 100-7011 | 1 | Spigot-90 DEG |
| 52 | 106-5052 | 1 | Cap-Water, Fresh | | | | |



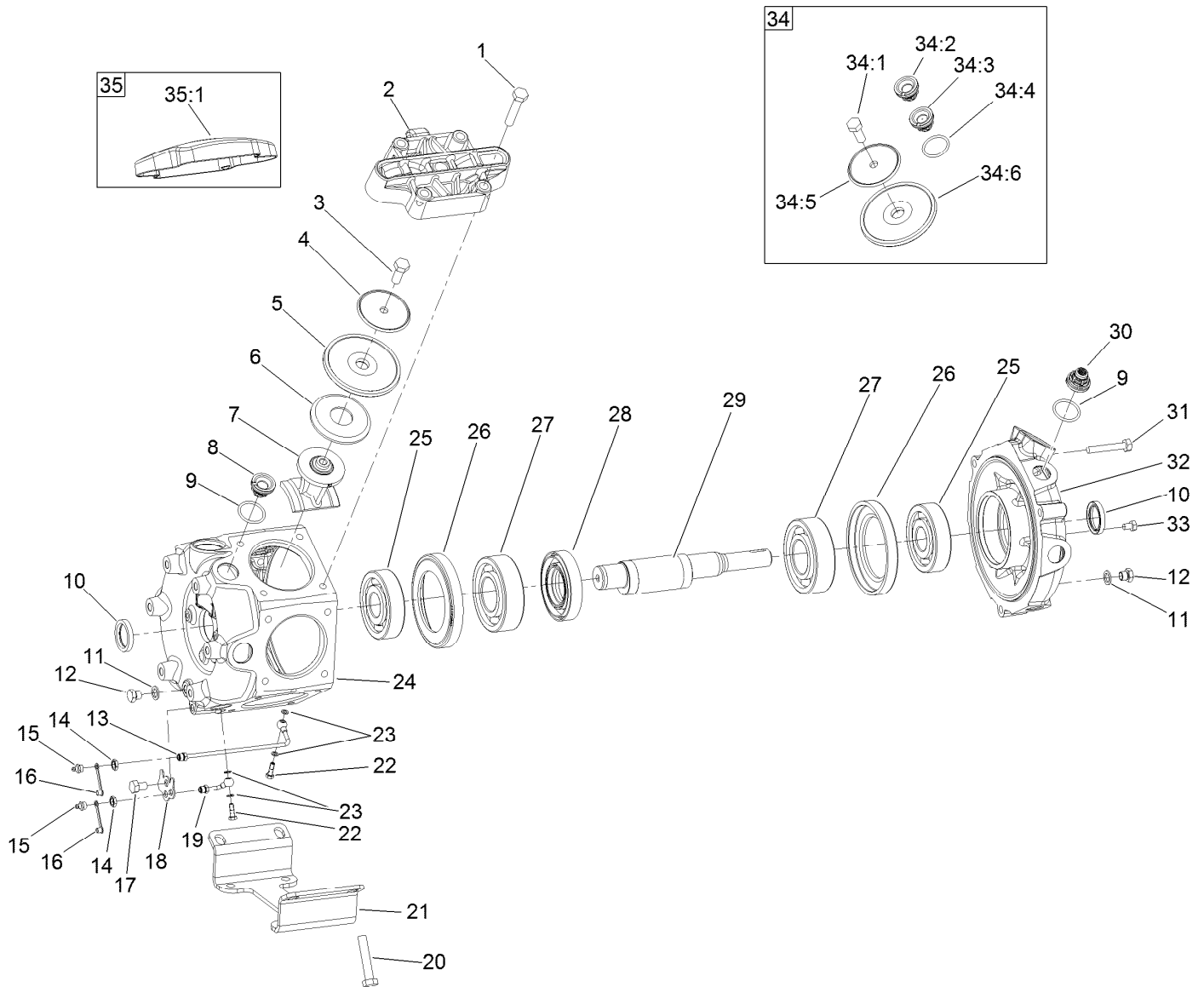
Control Console Assembly

| Ref. | Part Number | Qty. | Description | Ref. | Part Number | Qty. | Description |
|------|-------------|------|---------------------------|------|-------------|------|--------------------------|
| 1 | 131-5795-03 | 1 | Bracket-Console | 15 | 99-7420 | 3 | Plug-Hole |
| 2 | 131-9618 | 1 | Control-Console | 16 | 131-9605 | 1 | Fitting-Elbow-90 |
| 2:2 | 131-9607-03 | 1 | Plate-Switch | 17 | 100-8674 | 1 | Coupler-Tube |
| 2:3 | 3290-409 | 4 | Rivet | 18 | 119-5329 | 1 | Plug-Hole |
| 2:4 | 131-5808 | 1 | Decal-Switch | 19 | 93-6083 | 4 | Screw-HWH |
| 3 | 115-1900 | 1 | Controller | 20 | 3290-495 | 1 | Pin-Klik |
| 4 | 120-6310 | 1 | LCD Display ASM | 21 | 120-0834 | 3 | Screw-HSBH |
| 4:1 | 120-4630 | 1 | Nut-Display | 22 | 104-7201 | 3 | Nut-HF |
| 4:2 | 120-6311 | 1 | Decal-Display | 23 | 3234-5 | 2 | Screw-HHF |
| 5 | 120-8546 | 1 | Gauge-Pressure | 24 | 104-8300 | 5 | Nut-HF, NI |
| 6 | 100-8490 | 1 | Switch-Rocker, On-None-On | 25 | 3256-71 | 6 | Washer-Flat |
| 7 | 100-1535 | 1 | Switch | 26 | 322-43 | 6 | Screw-HH |
| 8 | 125-0899 | 2 | Switch-Rocker | 27 | 130-8294 | 1 | Decal-Console |
| 9 | 125-7996 | 1 | Switch-Pb, Momentary | 28 | 125-4052 | 1 | Decal-Console, Upper |
| 11 | 109-8054 | 2 | Bushing-Flange | 29 | 125-4054 | 1 | Pin |
| 12 | 125-4021-03 | 1 | Bracket-Pivot, Console | 30 | 3234-17 | 3 | Screw-HHF |
| 13 | 125-4020-03 | 1 | Panel-Control | 32 | 125-8139 | 1 | Decal-Master Boom Switch |
| 14 | 95-9648 | 1 | Knob | 33 | 95-8999 | 3 | Switch |
| | | | | 34 | 1-323142 | 1 | Nut-Push |



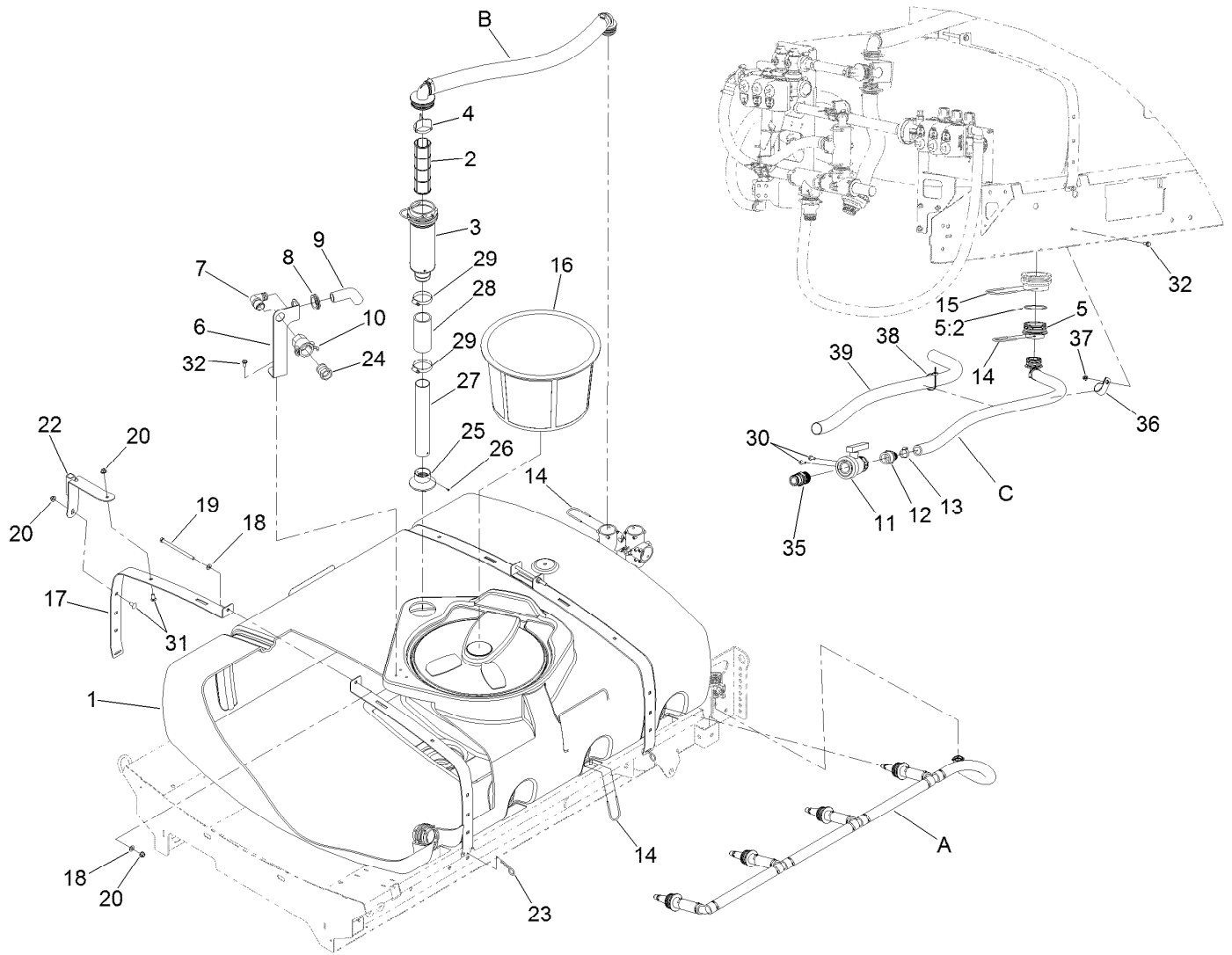
Pump Mount Assembly

| <i>Ref.</i> | <i>Part Number</i> | <i>Qty.</i> | <i>Description</i> |
|-------------|--------------------|-------------|---------------------------|
| 1 | 137-4230 | 1 | Pump ASM |
| 3 | 125-8053-03 | 1 | Mount-Pump |
| 5 | 3234-11 | 4 | Screw-HHF |
| 6 | 3290-357 | 4 | Nut-HHF, Whiz |
| 7 | 3234-6 | 4 | Screw-HHF |
| 8 | 32128-49 | 6 | Nut-HHF |
| 12 | 2412-147 | 1 | Clamp-R |
| 13 | 3234-42 | 1 | Screw-HHF |
| 14 | 104-8301 | 1 | Nut-HF, NI |
| 15 | 133-2867-03 | 1 | Bracket-Mount Valve Drain |
| 16 | 3234-38 | 2 | Screw-HHF |



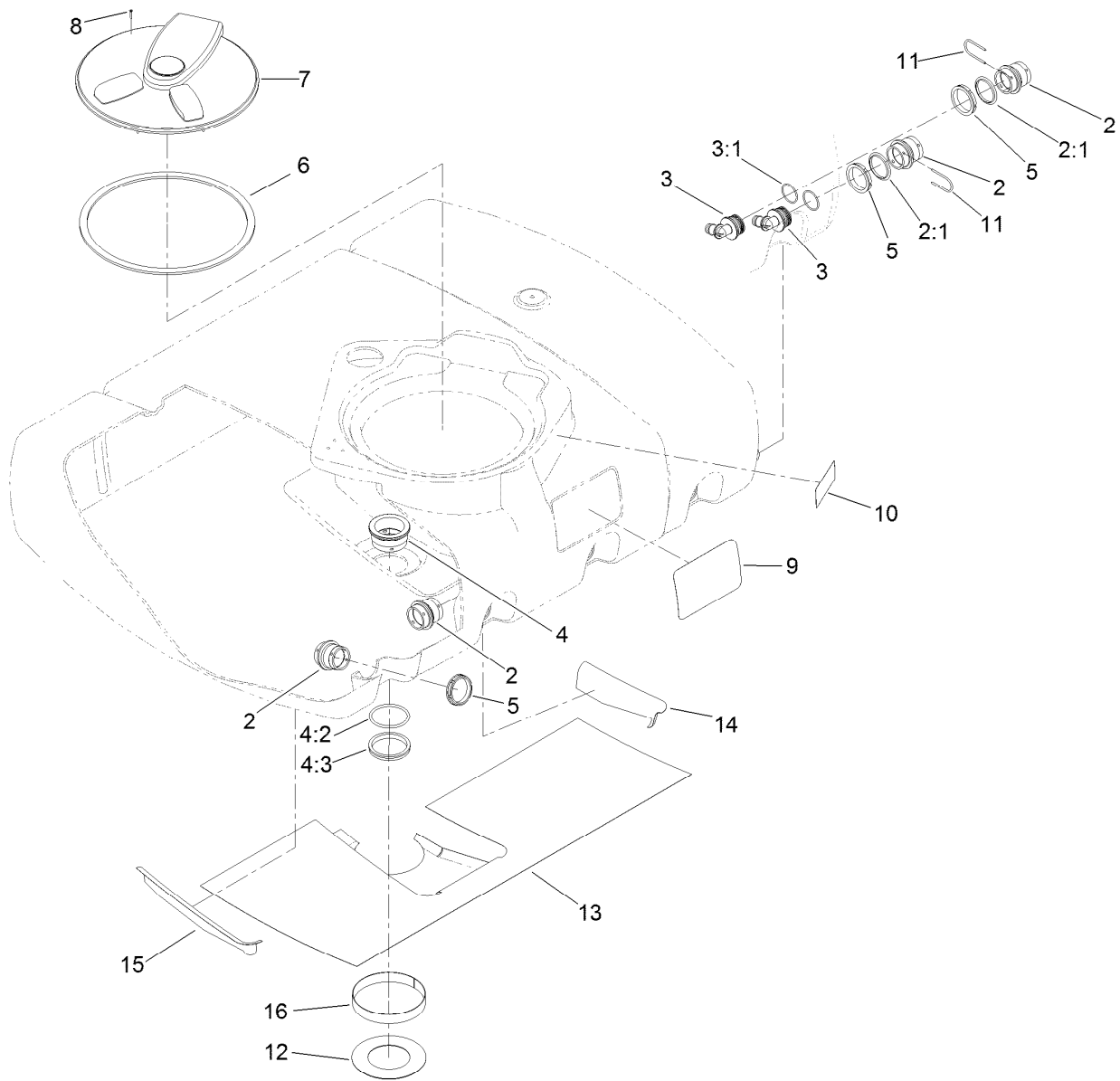
Pump Assembly No. 137-4230

| Ref. | Part Number | Qty. | Description | Ref. | Part Number | Qty. | Description |
|------|-------------|------|---------------------------|------|-------------|------|----------------------|
| 1 | 120-0773 | 20 | Bolt-Hex | 22 | 133-2830 | 2 | Bolt-Banjo |
| 2 | 133-2824 | 6 | Cover-Pump, Hardened | 23 | 136-2251 | 4 | Gasket |
| 3 | 120-0777 | 6 | Bolt-Hex | 24 | 133-2821 | 1 | Housing-Pump, Main |
| 4 | 120-0778 | 6 | Disc-Diaphragm | 25 | 120-0788 | 2 | Bearing-Ball |
| 5 | 120-0779 | 6 | Diaphragm | 26 | 133-2820 | 2 | Spacer-Metal |
| 6 | 120-0780 | 6 | Disc-Backing, Diaphragm | 27 | 120-0791 | 2 | Bearing-Ball |
| 7 | 120-0781 | 6 | Rod-Connecting | 28 | 133-2827 | 1 | Distance Ring |
| 8 | 99-0861 | 10 | Valve-Pump | 29 | 133-2825 | 1 | Shaft-Crank |
| 9 | 100-6651 | 12 | O-Ring | 30 | 120-0793 | 2 | Valve W/Hole |
| 10 | 120-0783 | 2 | Seal-Oil | 31 | 120-0794 | 3 | Bolt-Hex |
| 11 | 120-0786 | 2 | Seal | 32 | 133-2822 | 1 | Housing-Pump, Front |
| 12 | 120-0785 | 2 | Plug | 33 | 120-0784 | 4 | Bolt-Hex |
| 13 | 133-2877 | 1 | Tube-Banjo, Long | 34 | 120-0796 | 1 | Pump Kit |
| 14 | 133-2878 | 2 | Nut | 34:1 | 120-0777 | 6 | Bolt-Hex |
| 15 | 133-2879 | 2 | Nipple-Grease | 34:2 | 99-0861 | 10 | Valve-Pump |
| 16 | 133-2880 | 2 | Cap-Grease Nipple, Yellow | 34:3 | 120-0793 | 2 | Valve W/Hole |
| 17 | 136-2252 | 1 | Bolt-Hex | 34:4 | 100-6651 | 12 | O-Ring |
| 18 | 133-2875 | 1 | Plate-Nipple, Grease | 34:5 | 120-0778 | 6 | Disc-Diaphragm |
| 19 | 133-2876 | 1 | Tube-Banjo, Short | 34:6 | 120-0779 | 6 | Diaphragm |
| 20 | 120-0774 | 4 | Bolt-Hex | 35 | 133-2898 | 1 | Pump Head Kit |
| 21 | 120-0787 | 1 | Foot-Pump | 35:1 | 133-2824 | 6 | Cover-Pump, Hardened |



Spray Tank Assembly

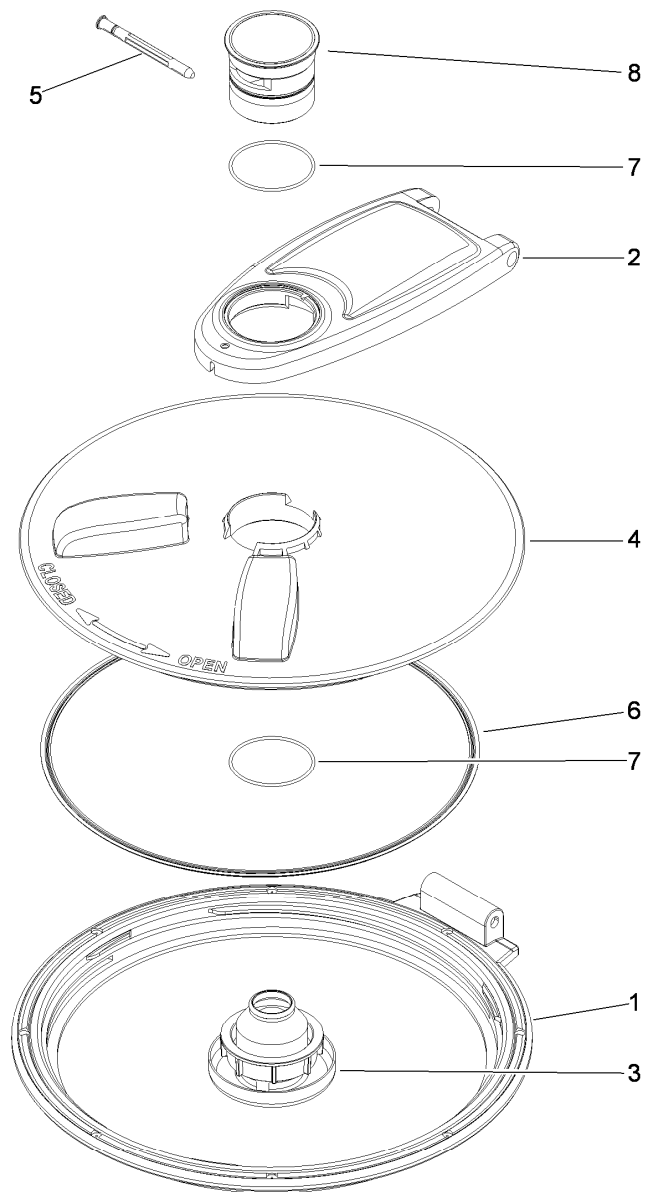
| Ref. | Part Number | Qty. | Description | Ref. | Part Number | Qty. | Description |
|------|-------------|------|--------------------------|------|-------------|------|------------------------|
| 1 | 138-8371 | 1 | 200 Gallon Tank | 19 | 323-58 | 2 | Bolt-TAP, HH |
| 2 | 100-8642 | 1 | Screen-Suction | 20 | 104-8301 | 4 | Nut-HF, NI |
| 3 | 130-7096 | 1 | Filter ASM | 22 | 127-3920-03 | 1 | Bracket-Storage |
| 4 | 100-8641 | 1 | Vane-Screen | 23 | 3290-343 | 4 | Pin-Hair |
| 5 | 117-7928 | 1 | Adapter ASM | 24 | 41316 | 1 | Adapter-Quick |
| 5:2 | 100-6989 | 1 | O-Ring | 25 | 100-6714 | 1 | Foot-Tube, Suction |
| 6 | 110-5082-03 | 1 | Bracket-Anti Siphon | 26 | 108-3270 | 1 | Screw-TAP |
| 7 | 41140 | 1 | Elbow | 27 | 125-8128 | 1 | Tube-Suction |
| 8 | 110-5090 | 1 | Grommet | 28 | 100-8649 | 1 | Hose-Suction |
| 9 | 110-5088 | 1 | Hose-Fill | 29 | 2412-130 | 2 | Clamp-Hose |
| 10 | 100-6779 | 1 | Coupling-Female | 30 | 3234-7 | 2 | Screw-HHF |
| 11 | 108-0069 | 1 | Valve-Ball | 31 | 3231-21 | 2 | Screw-CARR |
| 12 | 110-5224 | 1 | Fitting-Barbed, Straight | 32 | 3234-5 | 2 | Screw-HHF |
| 13 | 2412-34 | 1 | Clamp-Hose | 35 | 132-7787 | 1 | Coupler-Quick |
| 14 | 100-8635 | 6 | Fork | 36 | 114-9566 | 1 | Clamp-R |
| 15 | 117-7996 | 1 | Fork | 37 | 104-8300 | 1 | Nut-HF, NI |
| 16 | 119-9419 | 1 | Basket-Filter | 38 | 3290-378 | 1 | Tie-Cable |
| 17 | 125-4081-03 | 4 | Band-Tank | 39 | 136-2272 | 1 | Tubing-Convolutd, Slit |
| 18 | 3256-24 | 4 | Washer-Flat | | | | |



200 Gallon Spray Tank Assembly No. 138-8371

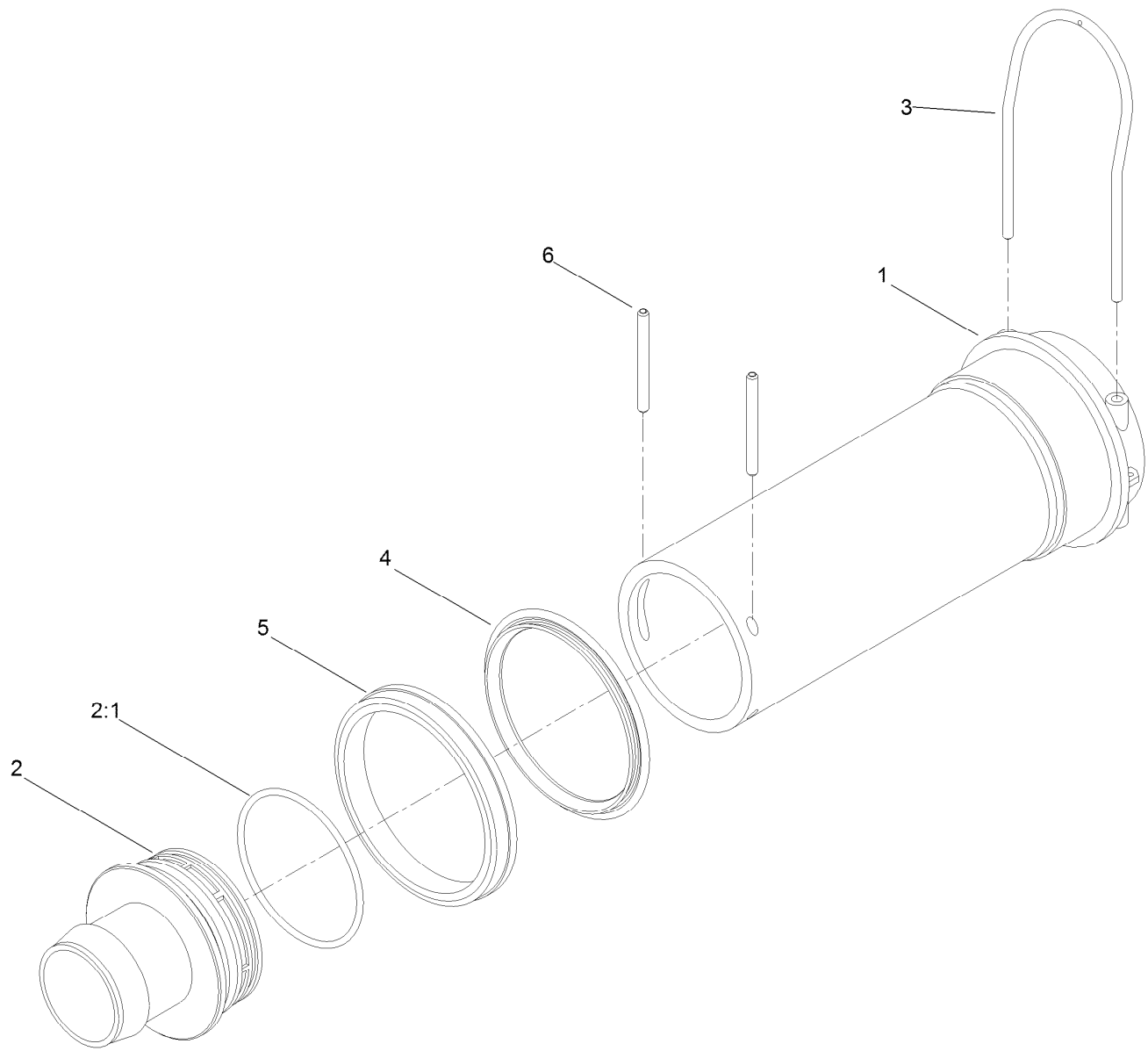
| Ref. | Part Number | Qty. | Description |
|------|-------------|------|--------------------|
| 2 | 108-3358 | 6 | Fitting-Bulkhead |
| 2:1 | 107-2864 | 1 | Gasket-Bulkhead |
| 3 | 106-4933 | 2 | Hosebarb ASM |
| 3:1 | 100-8637 | 1 | O-Ring |
| 4 | 117-7851 | 1 | Bulkhead ASM |
| 4:2 | 100-8646 | 1 | Gasket-Bulkhead |
| 4:3 | 100-8647 | 1 | Nut-Bulkhead |
| 5 | 100-7051 | 6 | Nut-Bulkhead |
| 6 | 119-9378 | 1 | Gasket-Lid, Tank |
| 7 | 119-9380 | 1 | Spray Tank Lid ASM |

| Ref. | Part Number | Qty. | Description |
|------|-------------|------|---------------------|
| 8 | 107-8635 | 8 | Screw-PFH |
| 9 | 125-8064 | 2 | Decal-Tank |
| 10 | 120-0622 | 1 | Decal-Warning |
| 11 | 100-8635 | 2 | Fork |
| 12 | 127-3967 | 1 | Shield-Sump, Bottom |
| 13 | 127-3960 | 1 | Shield-Sump, Center |
| 14 | 127-3962 | 1 | Shield-Sump, Rear |
| 15 | 127-3961 | 1 | Shield-Sump, Front |
| 16 | 127-3988 | 1 | Shield-Sump, Side |



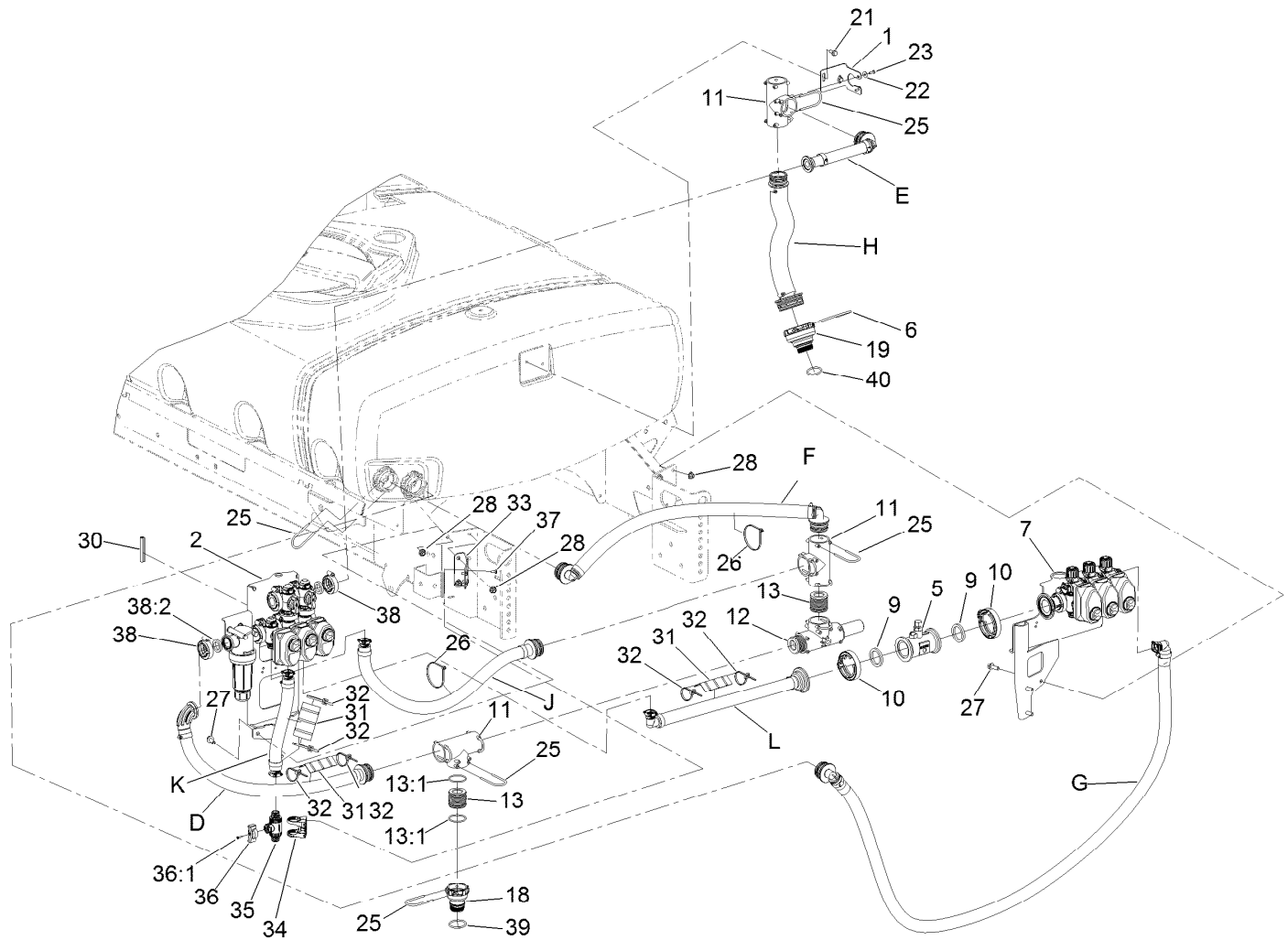
Spray Tank Lid Assembly No. 119-9380

| <i>Ref.</i> | <i>Part Number</i> | <i>Qty.</i> | <i>Description</i> |
|-------------|--------------------|-------------|--------------------|
| 1 | 119-9381 | 1 | Ring-Lid |
| 2 | 119-9382 | 1 | Arm-Lid |
| 3 | 119-9383 | 1 | Vent-Lid |
| 4 | 119-9384 | 1 | Cover-Lid |
| 5 | 119-9385 | 1 | Pin-Pivot |
| 6 | 106-5004 | 1 | Seal-Lid |
| 7 | 119-9386 | 2 | O-Ring |
| 8 | 119-9387 | 1 | Cap-Lid |



Filter Assembly No. 130-7096

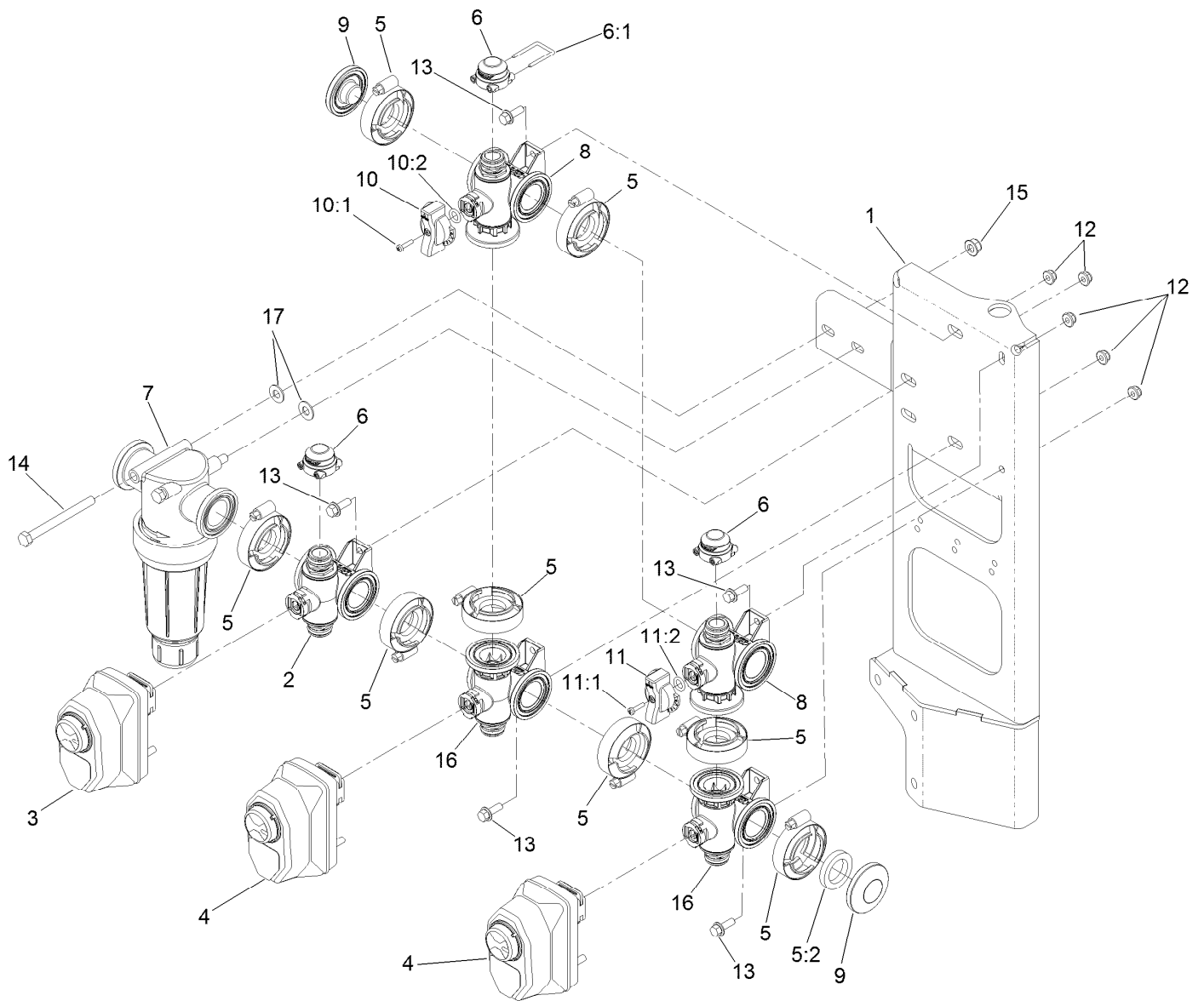
| <i>Ref.</i> | <i>Part Number</i> | <i>Qty.</i> | <i>Description</i> |
|-------------|--------------------|-------------|--------------------|
| 1 | 100-8643 | 1 | Housing-Filter |
| 2 | 106-4942 | 1 | Hosebarb-Straight |
| 2:1 | 100-6989 | 1 | O-Ring |
| 3 | 100-8636 | 1 | Fork-Special |
| 4 | 100-8646 | 1 | Gasket-Bulkhead |
| 5 | 100-8647 | 1 | Nut-Bulkhead |
| 6 | 100-8644 | 2 | Pin-Expansion |



Spray Valve Assembly

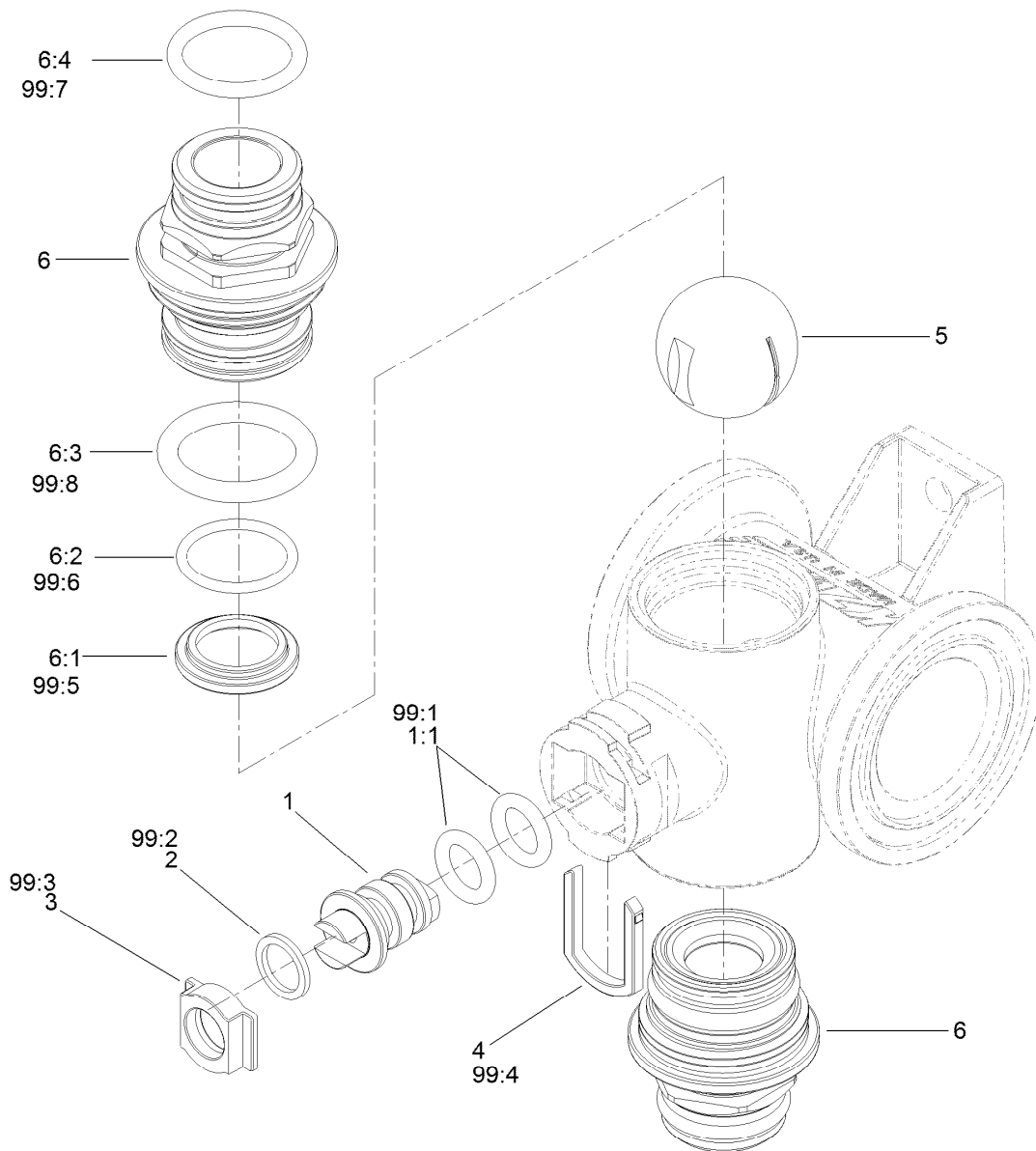
| Ref. | Part Number | Qty. | Description | Ref. | Part Number | Qty. | Description |
|------|-------------|------|----------------------------|------|-------------|------|---------------------------------|
| 1 | 131-3704 | 1 | Bracket-Fitting, Tee | 26 | 3290-379 | 2 | Tie-Cable |
| 2 | | 1 | Agitation Manifold ASM ● | 27 | 3234-42 | 6 | Screw-HHF |
| 5 | 106-1038 | 1 | Flow Meter ASM | 28 | 104-8301 | 6 | Nut-HF, NI |
| 6 | 117-7996 | 1 | Fork | 30 | 131-9636 | 1 | Trim-Manifold, Agitation |
| 7 | | 1 | Section Valve Manifold ASM | 31 | AU112950 | 3 | Protector-Hose |
| | | | | 32 | 3290-378 | 6 | Tie-Cable |
| 9 | 104-9090 | 2 | Gasket | 33 | 132-4325-03 | 1 | Mount-Bracket, Agitation |
| 10 | 104-9089 | 2 | Clamp-Screw, Worm | 34 | 132-4302 | 1 | Mount-Valve |
| 11 | 100-6704 | 3 | Tee | 35 | 131-0249 | 1 | On/Off 2-Way Valve Kit |
| 12 | 117-7874 | 1 | Relief Valve ASM | 36 | 131-0264 | 1 | Agitation Throttling Handle Kit |
| 13 | 106-4947 | 2 | Connector | 36:1 | 131-0263 | 1 | Screw-Handle |
| 13:1 | 100-8637 | 2 | O-Ring | 37 | 33113-012 | 4 | Screw-HH |
| 18 | 133-2881 | 1 | Fitting | 38 | 127-9829 | 2 | Clamp/Gasket Kit |
| 19 | 133-2883 | 1 | Fitting | 39 | 133-2882 | 1 | O-Ring |
| 21 | 3234-47 | 2 | Screw-HHF | 40 | 133-2884 | 1 | O-Ring |
| 22 | 3256-61 | 2 | Washer-Flat | | | | |
| 23 | 32144-32 | 2 | Screw | | | | |
| 25 | 100-8635 | 12 | Fork | | | | |

● Not serviced separately



Agitation Valve Assembly

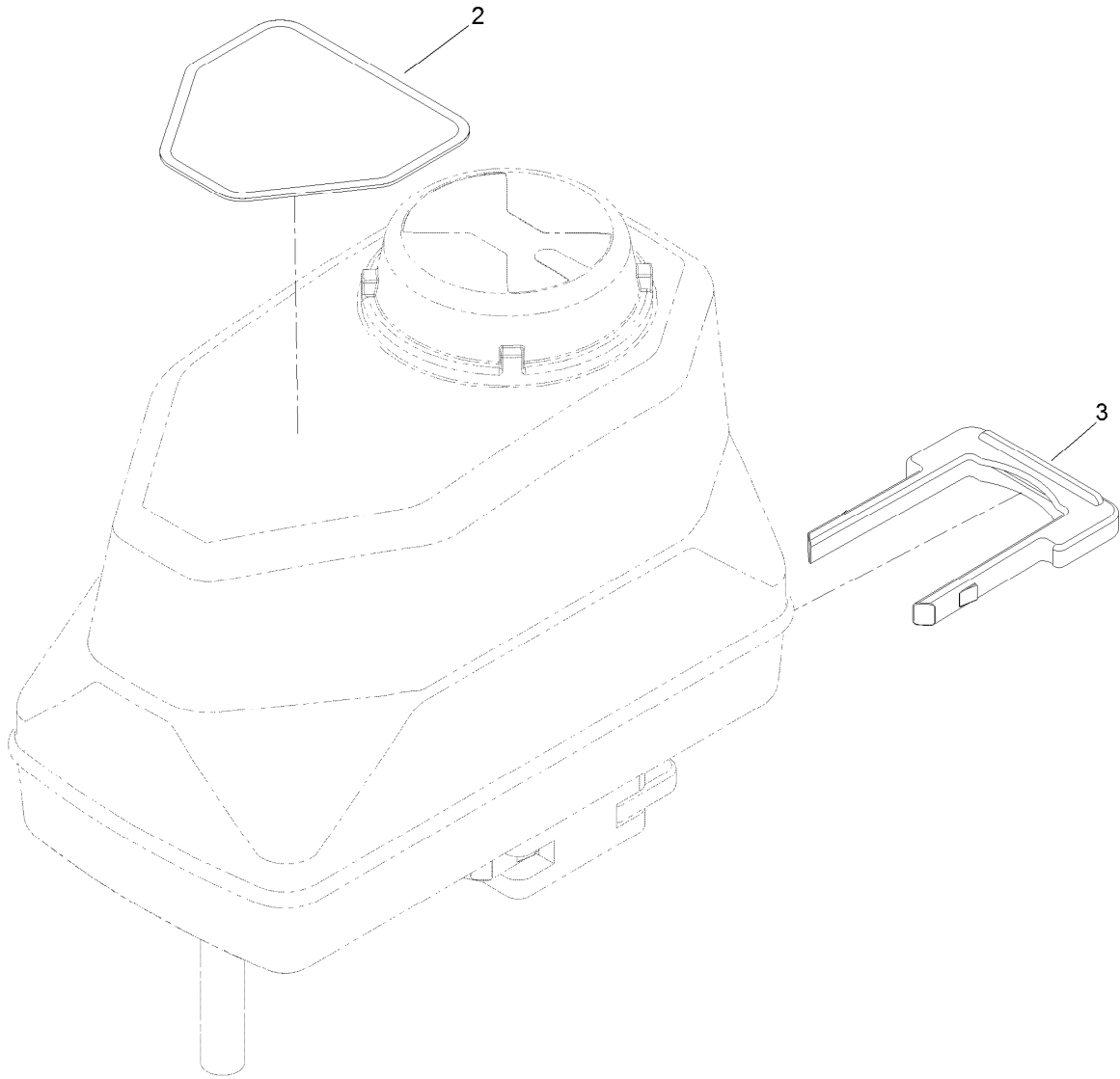
| <i>Ref.</i> | <i>Part Number</i> | <i>Qty.</i> | <i>Description</i> | <i>Ref.</i> | <i>Part Number</i> | <i>Qty.</i> | <i>Description</i> |
|-------------|--------------------|-------------|---------------------------------|-------------|--------------------|-------------|------------------------------|
| 1 | 137-4292 | 1 | Mount-Valve | 10:1 | 131-0263 | 1 | Screw-Handle |
| 2 | 127-9804 | 1 | Regulating Valve Body ASM | 10:2 | 127-1197 | 1 | O-Ring-Stem |
| 3 | 131-3724 | 1 | Actuator Regulating Kit | 11 | 131-0266 | 1 | Master Regulating Handle Kit |
| 4 | 131-3723 | 2 | Actuator On/Off Kit | 11:1 | 131-0263 | 1 | Screw-Handle |
| 5 | 127-9829 | 8 | Clamp/Gasket Kit | 11:2 | 127-1197 | 1 | O-Ring-Stem |
| 5:2 | 127-1145 | 1 | Gasket-Flange | 12 | 104-7201 | 6 | Nut-HF |
| 6 | 127-9811 | 3 | Fitting-Cap, Female | 13 | 3234-4 | 6 | Screw-HHF |
| 6:1 | 133-0398 | 1 | Pin-Fork | 14 | 322-22 | 2 | Screw-HH |
| 7 | 131-3791 | 1 | Filter-Pressure | 15 | 104-8300 | 2 | Nut-HF, NI |
| 8 | 131-0253 | 2 | Manifold Valve Kit | 16 | 131-7256 | 2 | Manifold Valve Kit |
| 9 | 127-9815 | 2 | Fitting-Cap | 17 | 107-0279 | 2 | Washer |
| 10 | 131-0265 | 1 | Agitation Regulating Handle Kit | | | | |



Regulating Valve Body Assembly No. 127-9804

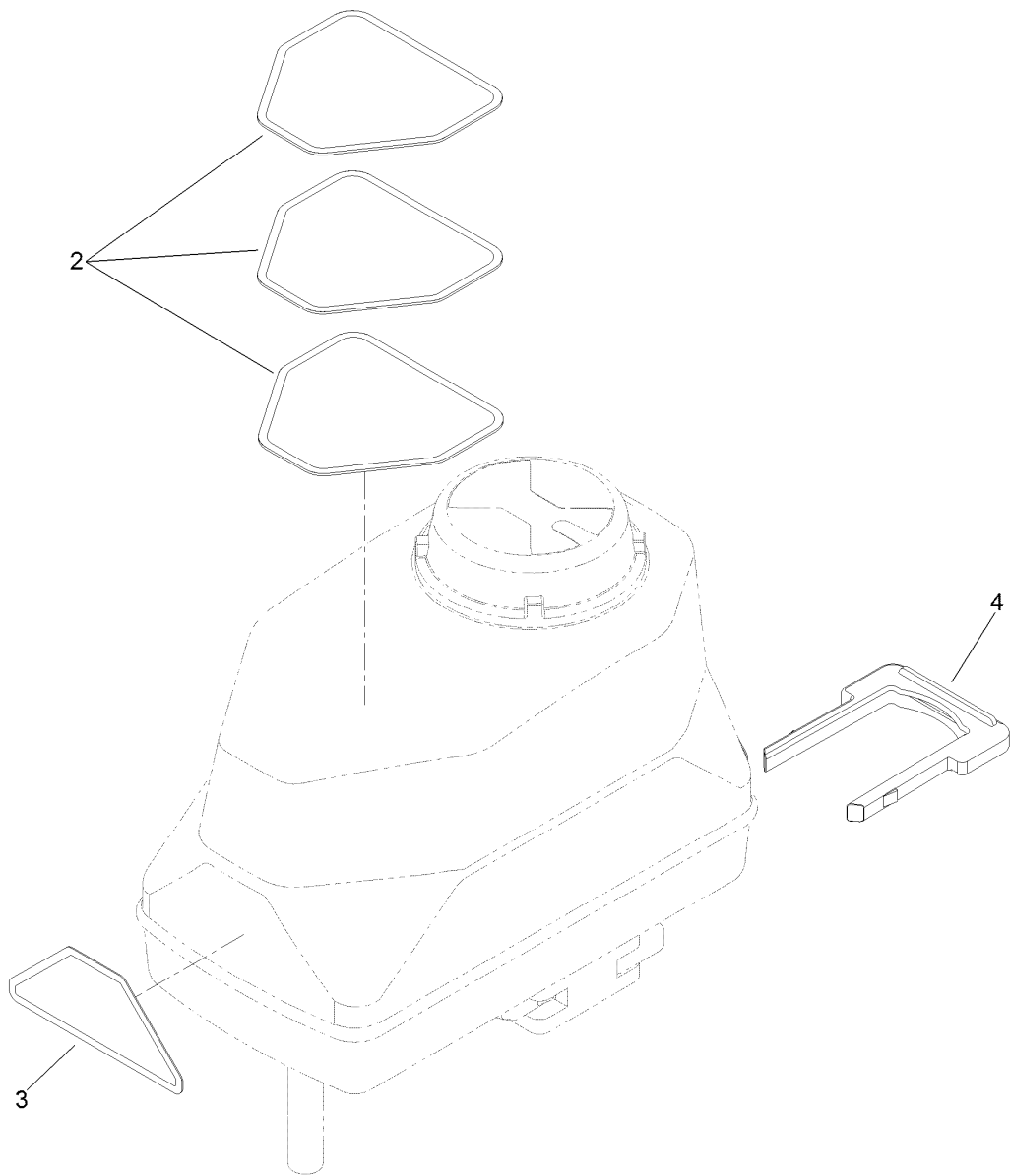
| <i>Ref.</i> | <i>Part Number</i> | <i>Qty.</i> | <i>Description</i> | <i>Ref.</i> | <i>Part Number</i> | <i>Qty.</i> | <i>Description</i> |
|-------------|--------------------|-------------|---------------------|-------------|--------------------|-------------|---------------------|
| 1 | 130-8248 | 1 | Valve Stem Kit | 6:4 | 127-1187 | 1 | O-Ring, Endcap |
| 1:1 | 127-1197 | 2 | O-Ring-Stem | 99 | 130-7304 | 1 | Valve Repair Kit ● |
| 2 | 127-1196 | 1 | Washer-Stem, Valve | 99:1 | 127-1197 | 2 | O-Ring-Stem |
| 3 | 127-1195 | 1 | Seat-Stem, Valve | 99:2 | 127-1196 | 2 | Washer-Stem, Valve |
| 4 | 127-1190 | 1 | Fork-Stem, Valve | 99:3 | 127-1195 | 1 | Seat-Stem, Valve |
| 5 | 127-1113 | 1 | Ball-V | 99:4 | 127-1190 | 1 | Fork-Stem, Valve |
| 6 | 130-7317 | 2 | Endcap Kit | 99:5 | 127-1192 | 2 | Seat-Ball |
| 6:1 | 127-1192 | 1 | Seat-Ball | 99:6 | 127-1188 | 2 | O-Ring, Seat (Ball) |
| 6:2 | 127-1188 | 1 | O-Ring, Seat (Ball) | 99:7 | 127-1187 | 2 | O-Ring, Endcap |
| 6:3 | 127-1189 | 1 | O-Ring, Endcap | 99:8 | 127-1189 | 2 | O-Ring, Endcap |

● Not illustrated



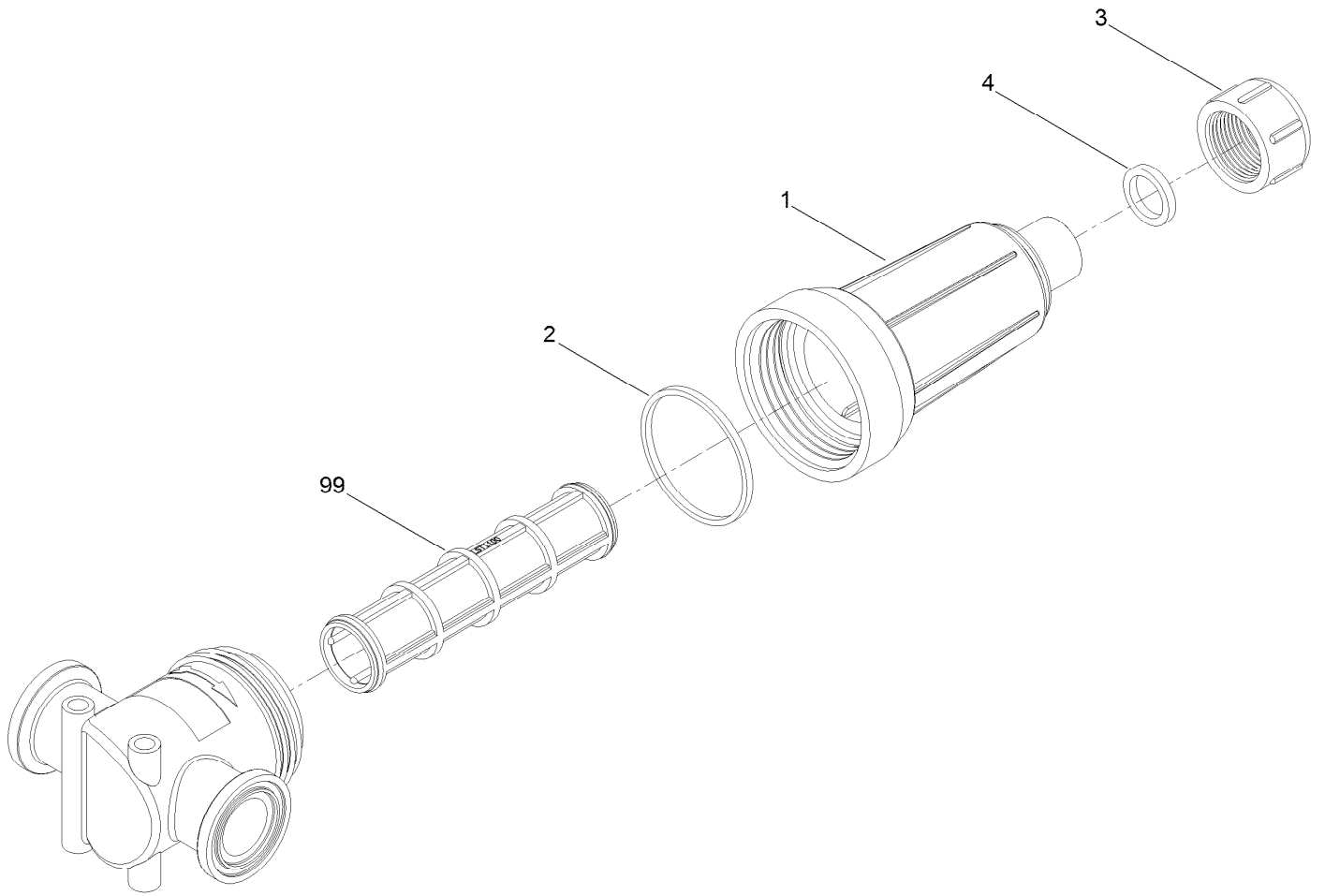
Actuator Regulating Valve Kit No. 131-3724

| <i>Ref.</i> | <i>Part Number</i> | <i>Qty.</i> | <i>Description</i> |
|-------------|--------------------|-------------|-------------------------|
| 2 | 127-6984 | 1 | Decal-Valve, Regulating |
| 3 | 130-7301 | 1 | Hairpin-Actuator |



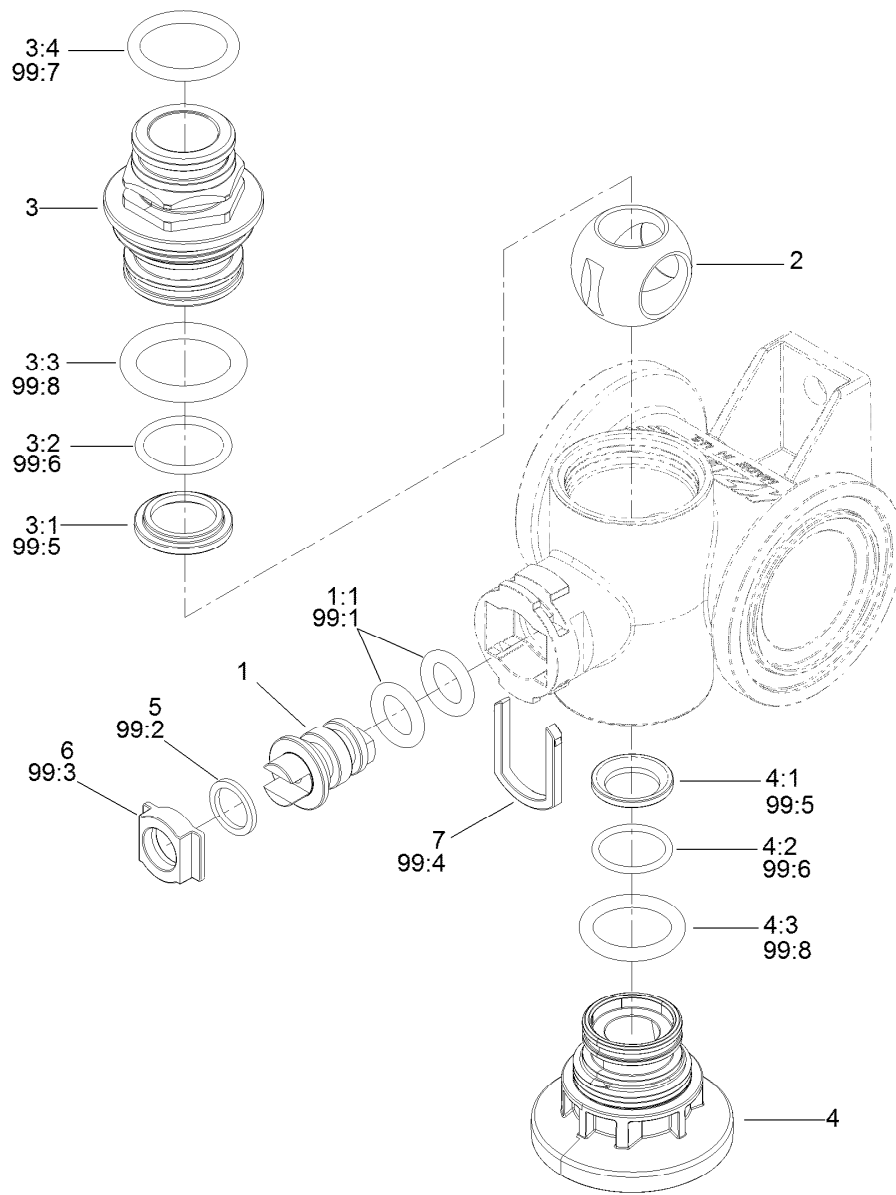
On/Off Actuator Kit No. 131-3723

| <i>Ref.</i> | <i>Part Number</i> | <i>Qty.</i> | <i>Description</i> |
|-------------|--------------------|-------------|----------------------------|
| 2 | 127-6979 | 1 | Decal-Valve, Agitation |
| 2 | 127-6981 | 1 | Decal-Valve, On/Off |
| 2 | 127-6982 | 1 | Decal-Valve, Master Boom |
| 3 | 127-6976 | 1 | Decal-Valve, Bypass Adjust |
| 4 | 130-7301 | 1 | Hairpin-Actuator |



Pressure Filter Assembly No. 131-3791

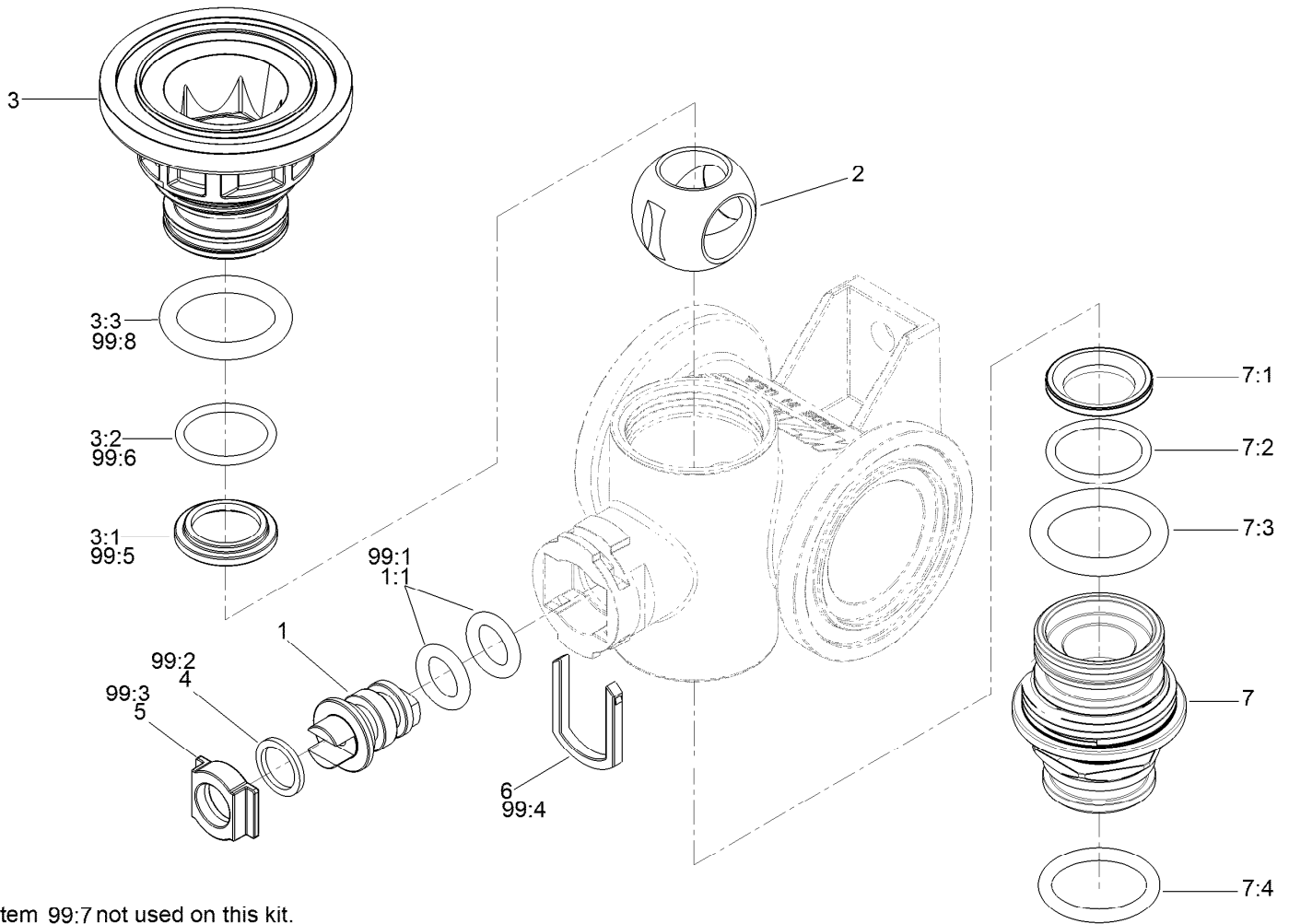
| <i>Ref.</i> | <i>Part Number</i> | <i>Qty.</i> | <i>Description</i> |
|-------------|--------------------|-------------|-------------------------|
| 1 | 136-0397 | 1 | Bowl-Strainer |
| 2 | 136-0398 | 1 | Rubber-Gasket |
| 3 | 136-0410 | 1 | Strainer Cap |
| 4 | 136-0399 | 1 | Rubber-Gasket |
| 99 | 133-0384 | 1 | Screen-Teejet, 30 Mesh |
| 99 | 133-0385 | 1 | Screen-Teejet, 50 Mesh |
| 99 | 133-0386 | 1 | Screen-Teejet, 80 Mesh |
| 99 | 133-0387 | 1 | Screen-Teejet, 100 Mesh |



Manifold Valve Kit No. 131-0253

| <i>Ref.</i> | <i>Part Number</i> | <i>Qty.</i> | <i>Description</i> | <i>Ref.</i> | <i>Part Number</i> | <i>Qty.</i> | <i>Description</i> |
|-------------|--------------------|-------------|---------------------|-------------|--------------------|-------------|---------------------|
| 1 | 130-8248 | 1 | Valve Stem Kit | 5 | 127-1196 | 1 | Washer-Stem, Valve |
| 1:1 | 127-1197 | 2 | O-Ring-Stem | 6 | 127-1195 | 1 | Seat-Stem, Valve |
| 2 | 127-1113 | 1 | Ball-V | 7 | 127-1190 | 1 | Fork-Stem, Valve |
| 3 | 130-7317 | 1 | Endcap Kit | 99 | 130-7304 | 1 | Valve Repair Kit ● |
| 3:1 | 127-1192 | 1 | Seat-Ball | 99:1 | 127-1197 | 2 | O-Ring-Stem |
| 3:2 | 127-1188 | 1 | O-Ring, Seat (Ball) | 99:2 | 127-1196 | 2 | Washer-Stem, Valve |
| 3:3 | 127-1189 | 1 | O-Ring, Endcap | 99:3 | 127-1195 | 1 | Seat-Stem, Valve |
| 3:4 | 127-1187 | 1 | O-Ring, Endcap | 99:4 | 127-1190 | 1 | Fork-Stem, Valve |
| 4 | 130-8249 | 1 | Endcap Kit | 99:5 | 127-1192 | 2 | Seat-Ball |
| 4:1 | 127-1192 | 1 | Seat-Ball | 99:6 | 127-1188 | 2 | O-Ring, Seat (Ball) |
| 4:2 | 127-1188 | 1 | O-Ring, Seat (Ball) | 99:7 | 127-1187 | 2 | O-Ring, Endcap |
| 4:3 | 127-1189 | 1 | O-Ring, Endcap | 99:8 | 127-1189 | 2 | O-Ring, Endcap |

● Not illustrated

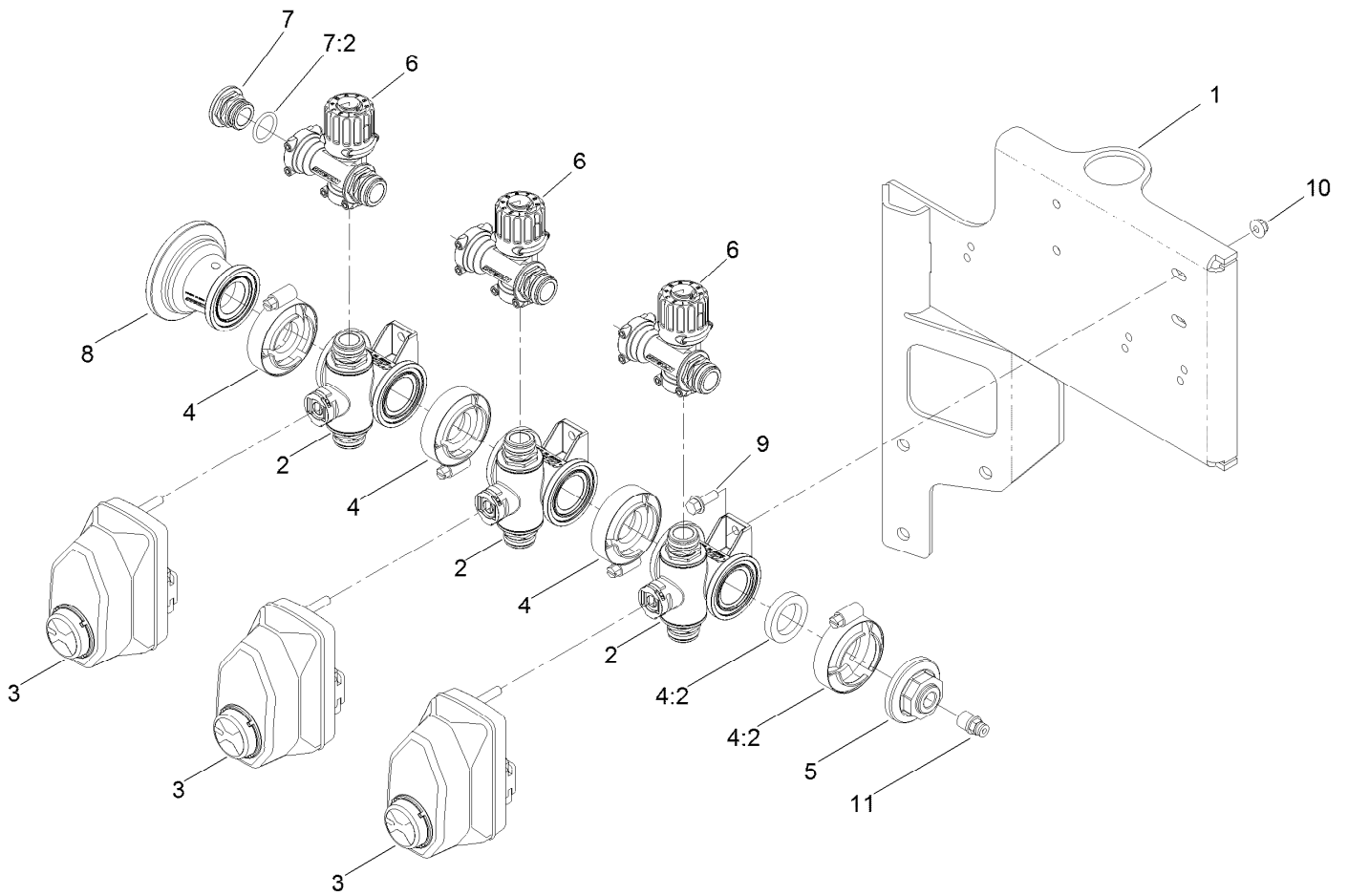


Item 99:7 not used on this kit.

Manifold Valve Kit No. 131-7256

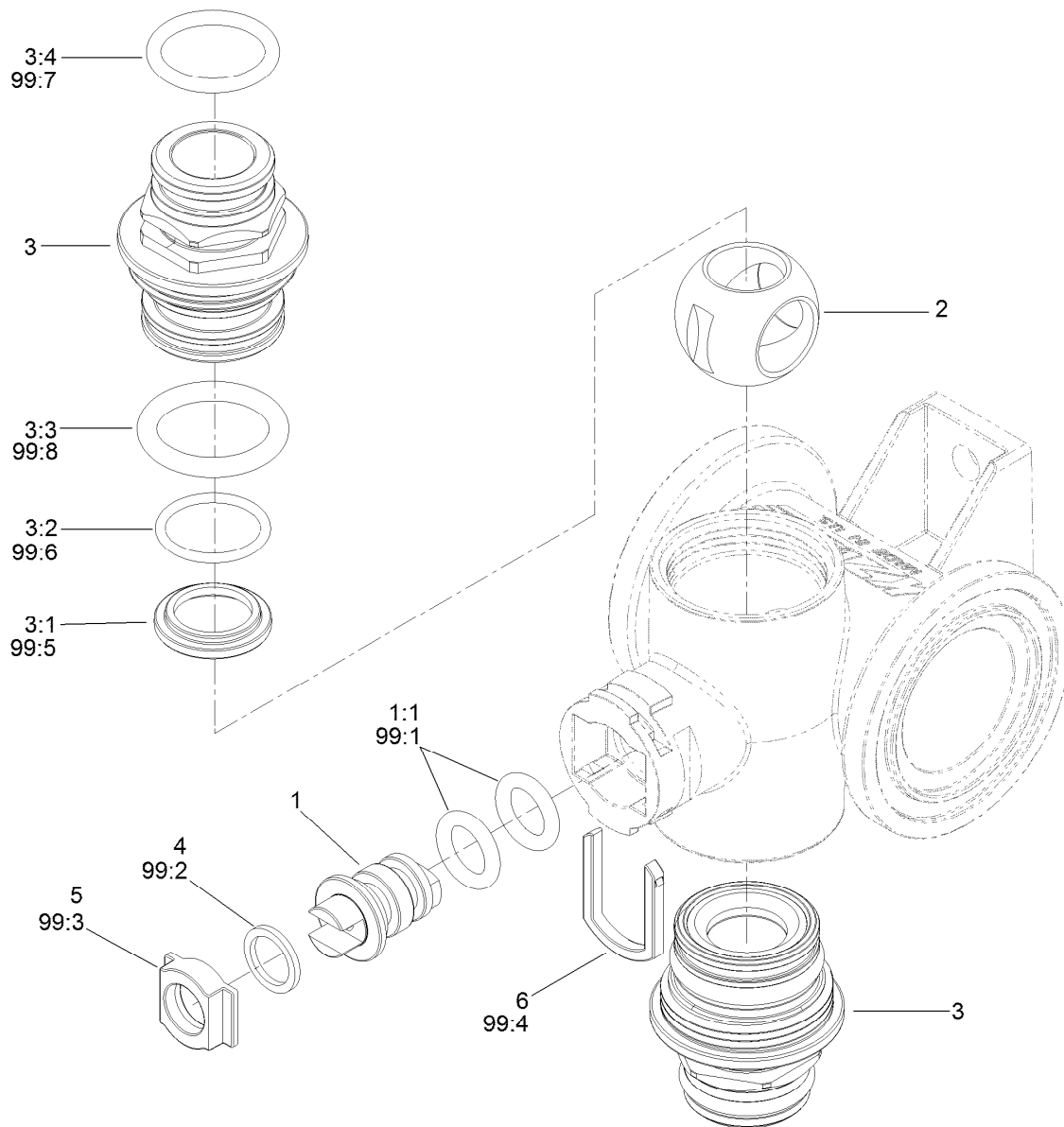
| Ref. | Part Number | Qty. | Description | Ref. | Part Number | Qty. | Description |
|------|-------------|------|---------------------|------|-------------|------|---------------------|
| 1 | 130-8248 | 1 | Valve Stem Kit | 7:2 | 127-1188 | 1 | O-Ring, Seat (Ball) |
| 1:1 | 127-1197 | 2 | O-Ring-Stem | 7:3 | 127-1189 | 1 | O-Ring, Endcap |
| 2 | 127-1194 | 1 | Ball-Valve, 3Way | 7:4 | 127-1187 | 1 | O-Ring, Endcap |
| 3 | 130-8249 | 1 | Endcap Kit | 99 | 130-7304 | 1 | Valve Repair Kit ● |
| 3:1 | 127-1192 | 1 | Seat-Ball | 99:1 | 127-1197 | 2 | O-Ring-Stem |
| 3:2 | 127-1188 | 1 | O-Ring, Seat (Ball) | 99:2 | 127-1196 | 2 | Washer-Stem, Valve |
| 3:3 | 127-1189 | 1 | O-Ring, Endcap | 99:3 | 127-1195 | 1 | Seat-Stem, Valve |
| 4 | 127-1196 | 1 | Washer-Stem, Valve | 99:4 | 127-1190 | 1 | Fork-Stem, Valve |
| 5 | 127-1195 | 1 | Seat-Stem, Valve | 99:5 | 127-1192 | 2 | Seat-Ball |
| 6 | 127-1190 | 1 | Fork-Stem, Valve | 99:6 | 127-1188 | 2 | O-Ring, Seat (Ball) |
| 7 | 130-7317 | 1 | Endcap Kit | 99:7 | 127-1187 | 2 | O-Ring, Endcap |
| 7:1 | 127-1192 | 1 | Seat-Ball | 99:8 | 127-1189 | 2 | O-Ring, Endcap |

● Not illustrated



Section Valve Manifold Assembly

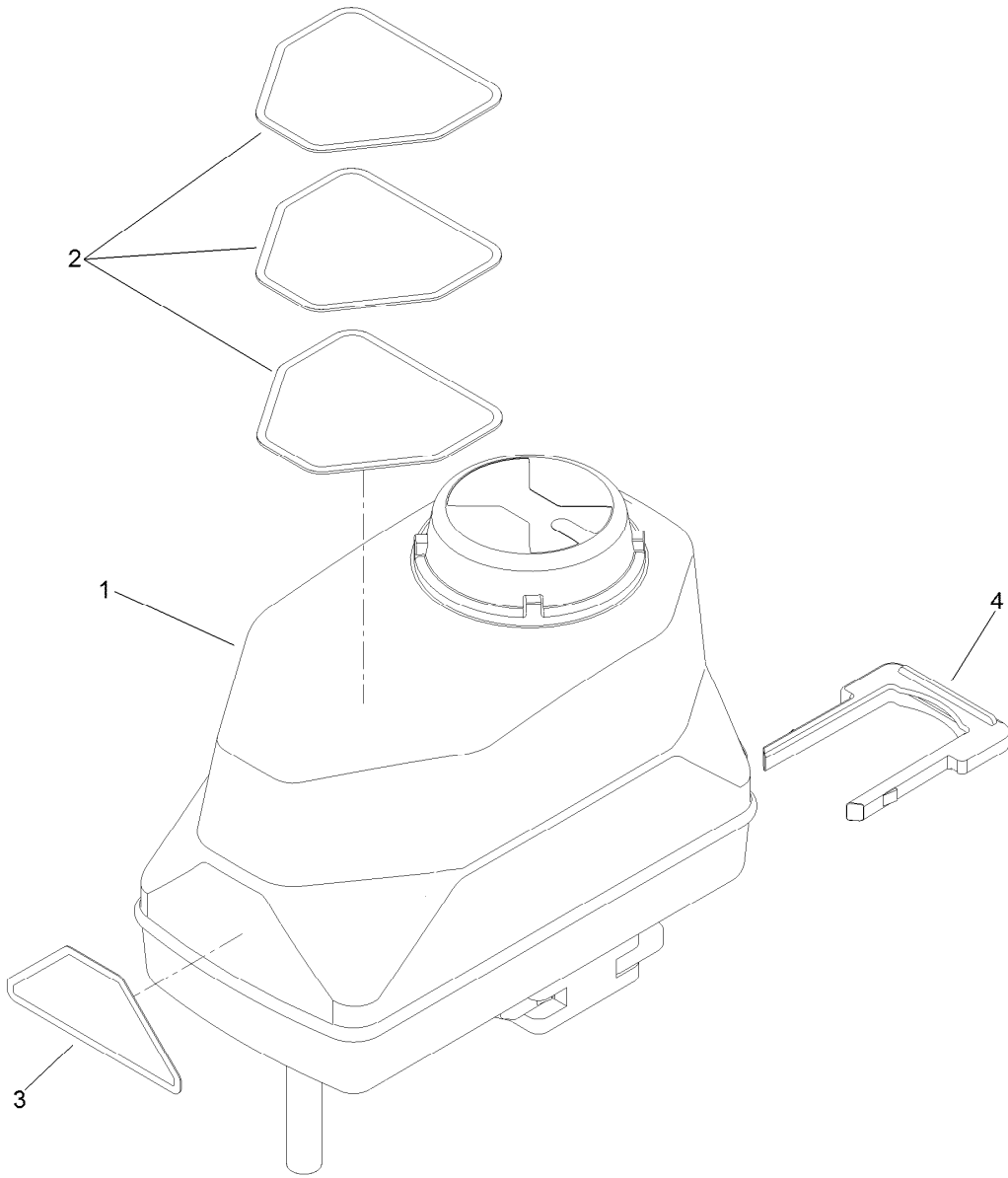
| Ref. | Part Number | Qty. | Description |
|------|-------------|------|---------------------------|
| 1 | 131-0258 | 1 | Mount-Valves, Boom |
| 2 | 127-9803 | 3 | On/Off Manifold Valve Kit |
| 3 | 131-3723 | 3 | Actuator On/Off Kit |
| 4 | 127-9829 | 4 | Clamp/Gasket Kit |
| 4:2 | 127-1145 | 1 | Gasket-Flange |
| 5 | 127-1185 | 1 | Fitting-Cap, Port |
| 6 | 127-9805 | 3 | Bypass Valve ASM |
| 7 | 127-9810 | 1 | Male Cap Fitting Kit |
| 7:2 | 127-1187 | 1 | O-Ring, Endcap |
| 8 | 127-1144 | 1 | Fitting-Adapter |
| 9 | 3234-4 | 4 | Screw-HHF |
| 10 | 104-7201 | 4 | Nut-HF |
| 11 | 131-3709 | 1 | Coupler |



On/Off Manifold Valve Kit No. 127-9803

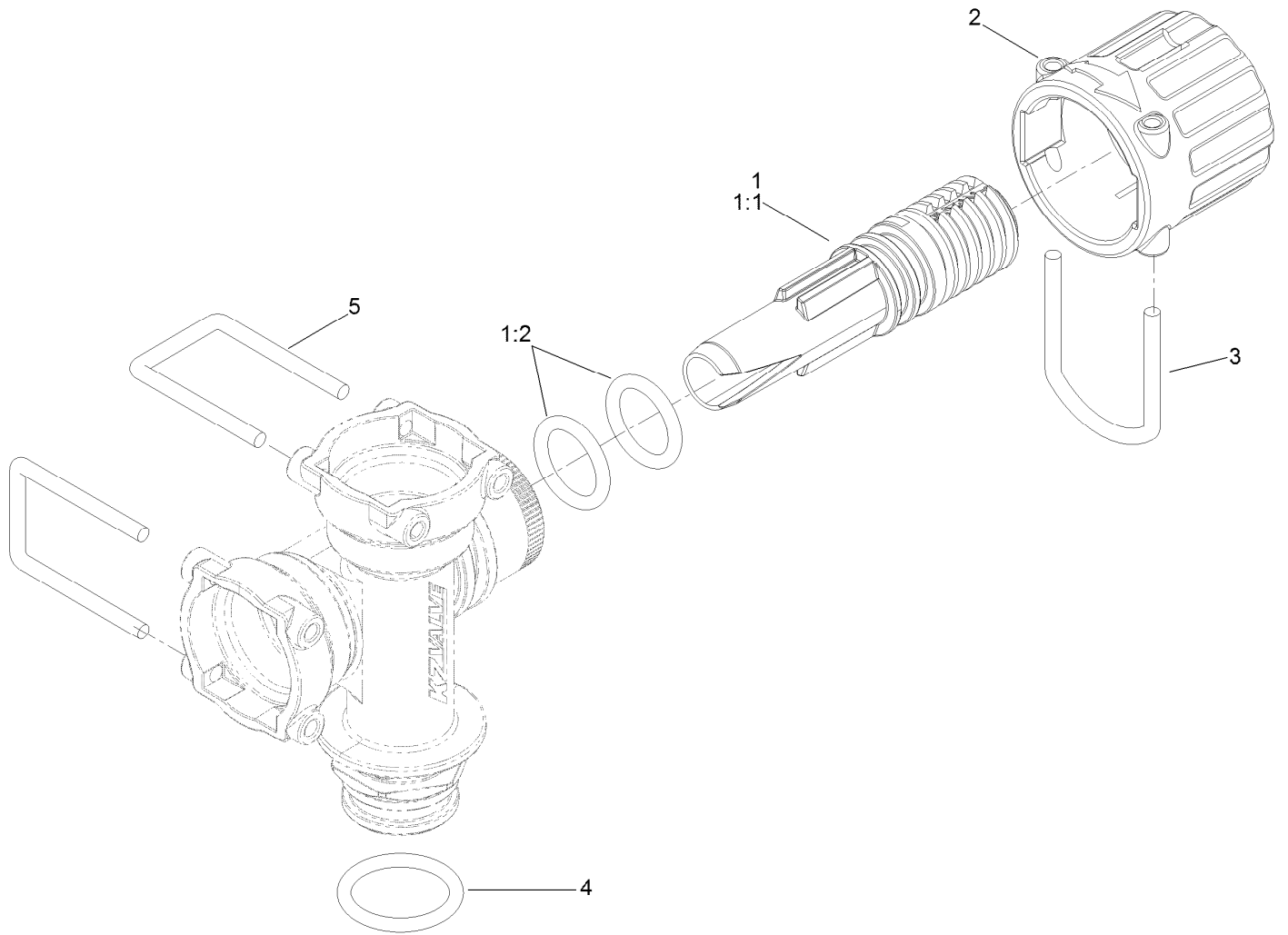
| <i>Ref.</i> | <i>Part Number</i> | <i>Qty.</i> | <i>Description</i> | <i>Ref.</i> | <i>Part Number</i> | <i>Qty.</i> | <i>Description</i> |
|-------------|--------------------|-------------|---------------------|-------------|--------------------|-------------|---------------------|
| 1 | 130-8248 | 1 | Vavle Stem Kit | 6 | 127-1190 | 1 | Fork-Stem, Valve |
| 1:1 | 127-1197 | 2 | O-Ring-Stem | 99 | 130-7304 | 1 | Valve Repair Kit ● |
| 2 | 127-1194 | 1 | Ball-Valve, 3Way | 99:1 | 127-1197 | 2 | O-Ring-Stem |
| 3 | 130-7317 | 2 | Endcap Kit | 99:2 | 127-1196 | 2 | Washer-Stem, Valve |
| 3:1 | 127-1192 | 1 | Seat-Ball | 99:3 | 127-1195 | 1 | Seat-Stem, Valve |
| 3:2 | 127-1188 | 1 | O-Ring, Seat (Ball) | 99:4 | 127-1190 | 1 | Fork-Stem, Valve |
| 3:3 | 127-1189 | 1 | O-Ring, Endcap | 99:5 | 127-1192 | 2 | Seat-Ball |
| 3:4 | 127-1187 | 1 | O-Ring, Endcap | 99:6 | 127-1188 | 2 | O-Ring, Seat (Ball) |
| 4 | 127-1196 | 1 | Washer-Stem, Valve | 99:7 | 127-1187 | 2 | O-Ring, Endcap |
| 5 | 127-1195 | 1 | Seat-Stem, Valve | 99:8 | 127-1189 | 2 | O-Ring, Endcap |

● Not illustrated



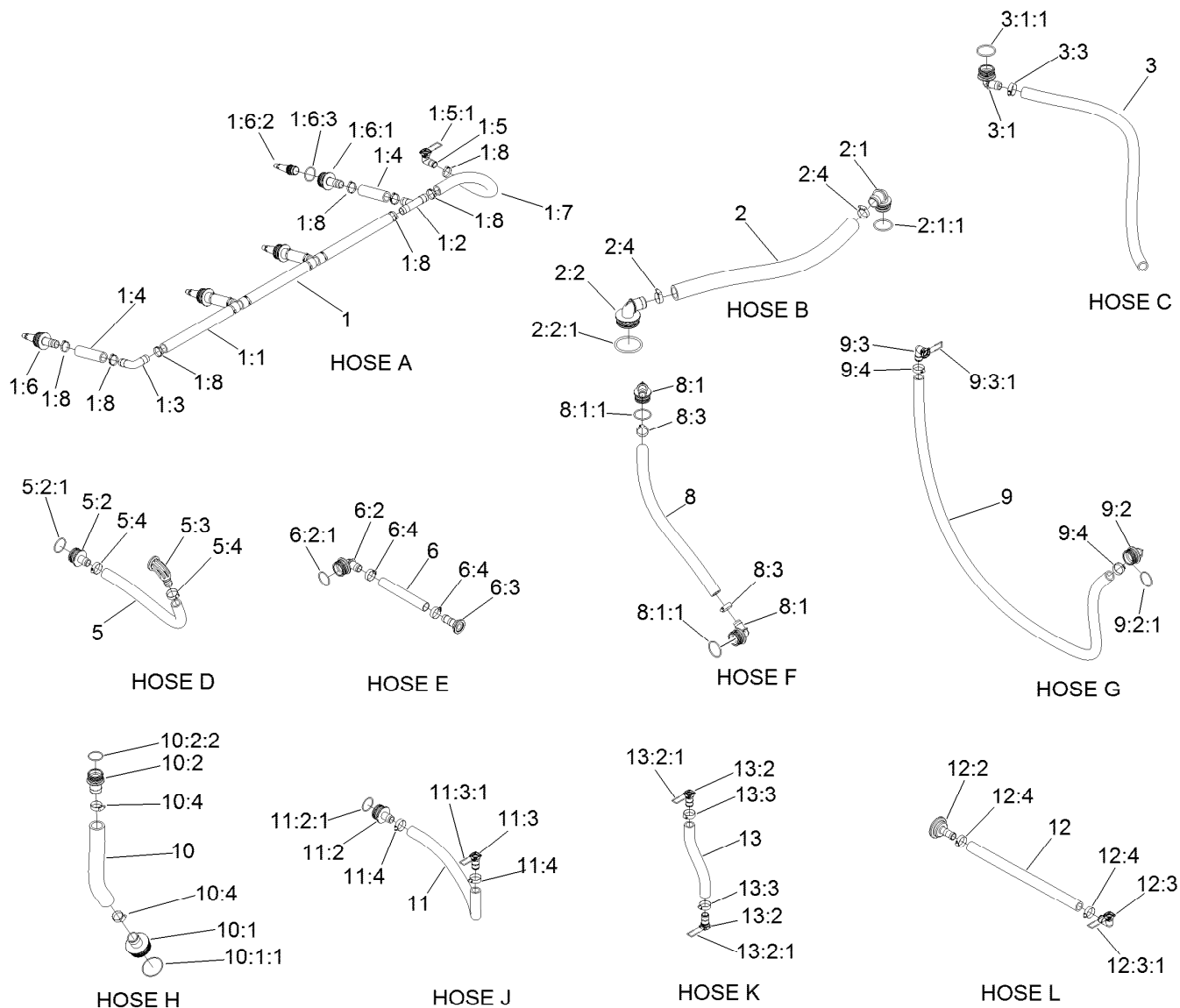
Actuator On/Off Kit No. 131-3723

| <i>Ref.</i> | <i>Part Number</i> | <i>Qty.</i> | <i>Description</i> |
|-------------|--------------------|-------------|----------------------------|
| 1 | 127-9801 | 1 | Actuator-On/Off |
| 2 | 127-6979 | 1 | Decal-Valve, Agitation |
| 2 | 127-6981 | 1 | Decal-Valve, On/Off |
| 2 | 127-6982 | 1 | Decal-Valve, Master Boom |
| 3 | 127-6976 | 1 | Decal-Valve, Bypass Adjust |
| 4 | 130-7301 | 1 | Hairpin-Actuator |



Bypass Valve Assembly No. 127-9805

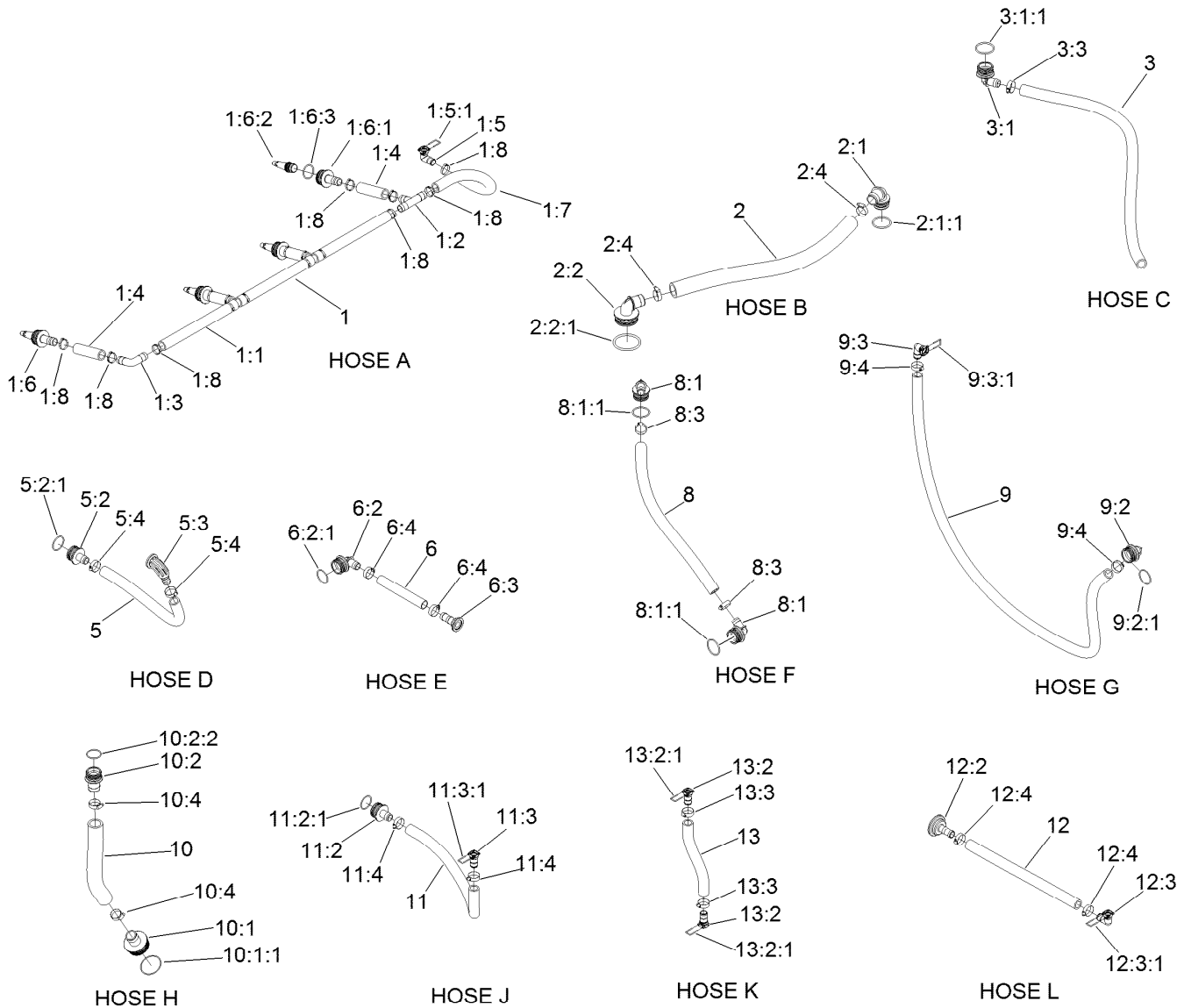
| <i>Ref.</i> | <i>Part Number</i> | <i>Qty.</i> | <i>Description</i> |
|-------------|--------------------|-------------|---------------------|
| 1 | 131-0298 | 1 | Bypass Needle Kit |
| 1:1 | 127-1182 | 1 | Needle-Bypass |
| 1:2 | 127-1181 | 2 | Oring-Bypass Needle |
| 2 | 127-1180 | 1 | Knob-Bypass |
| 3 | 127-1179 | 1 | Fork-Bypass Knob |
| 4 | 127-1187 | 1 | O-Ring, Endcap |
| 5 | 127-1175 | 2 | Fork |



Reference **Spray Tank Assembly** page and **Spray Tank Valve Assembly** page for hose locations and orientation

Hose Assembly

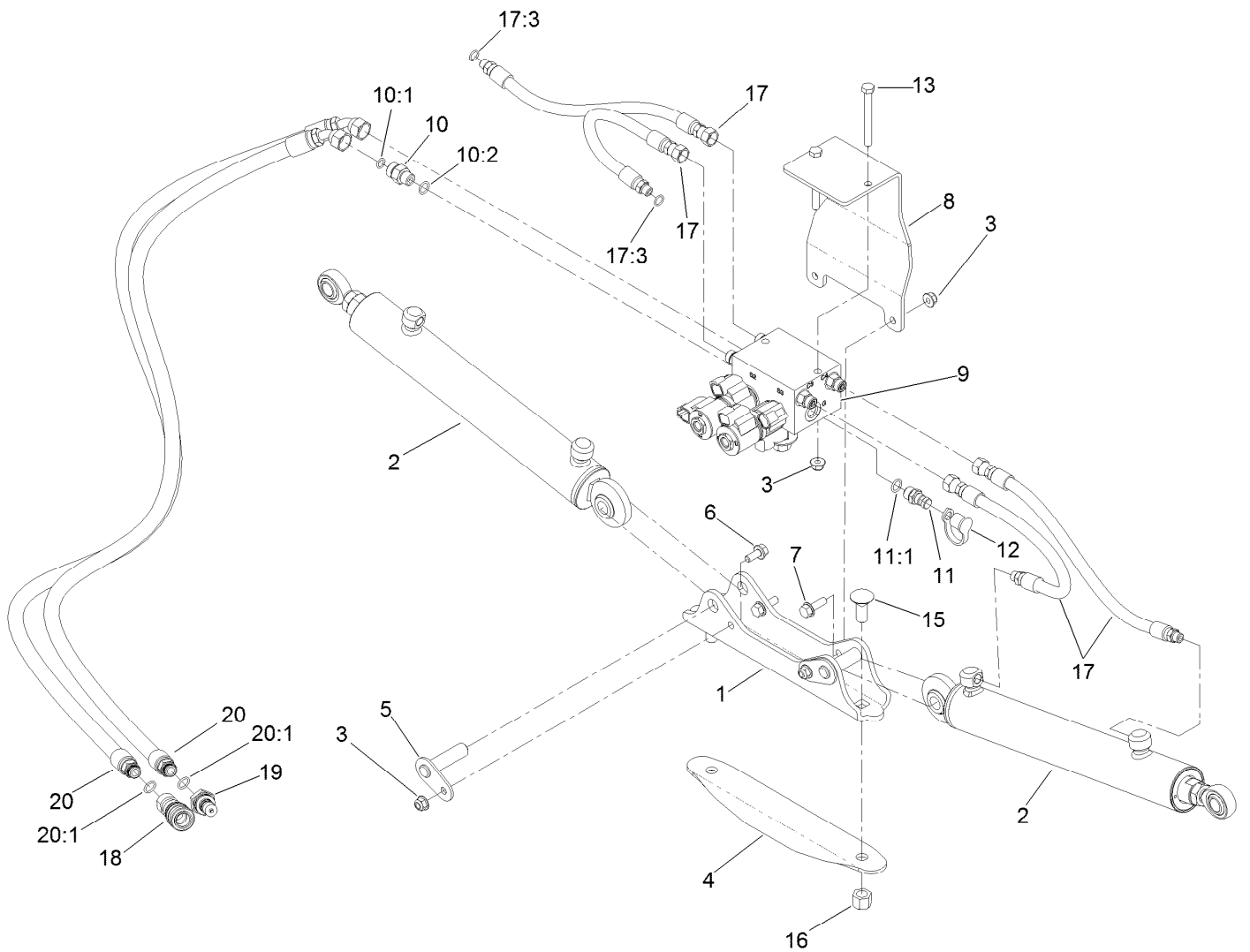
| Ref. | Part Number | Qty. | Description | Ref. | Part Number | Qty. | Description |
|-------|-------------|------|-------------------------|-------|-------------|------|-------------------------|
| 1 | 139-3095 | 1 | Hose-Agitation, ASM | 3:1:1 | 100-8637 | 1 | O-Ring |
| 1:1 | 117-7862 | 3 | Hose-Main Agitation | 3:3 | 2412-34 | 1 | Clamp-Hose |
| 1:2 | 117-7866 | 3 | Tee-Hosebarb | 5 | 132-4329 | 1 | Hose-Supply |
| 1:3 | 117-7867 | 1 | Elbow-Hosebarb | 5:2 | 106-4932 | 1 | Hosebarb-Straight |
| 1:4 | 119-0441 | 4 | Hose-Agitaiton | 5:2:1 | 100-8637 | 1 | O-Ring |
| 1:5 | 131-0213 | 1 | 90 DEG Barb Fitting Kit | 5:3 | 131-0241 | 1 | Fitting-Elbow, Sweep |
| 1:5:1 | 133-0398 | 1 | Pin-Fork | 5:4 | 2412-34 | 2 | Clamp-Hose |
| 1:6 | 131-3731 | 4 | Agitation Nozzle ASM | 6 | 132-4331 | 1 | Hose-Agitation, Bypass |
| 1:6:1 | 131-3732 | 1 | Fitting-Barb | 6:2 | 106-4933 | 1 | Hosebarb ASM |
| 1:6:2 | 120-8579 | 1 | Nozzle-Agitation | 6:2:1 | 100-8637 | 1 | O-Ring |
| 1:6:3 | 121-4996 | 1 | O-Ring | 6:3 | 127-1142 | 1 | Fitting-Barb |
| 1:7 | 131-3785 | 1 | Hose-Supply | 6:4 | 2412-34 | 2 | Clamp-Hose |
| 1:8 | 2412-34 | 16 | Clamp-Hose | 8 | 125-0639 | 1 | Regulating Hose ASM |
| 2 | 125-0645 | 1 | Upper Suction Hose ASM | 8:1 | 106-4933 | 2 | Hosebarb ASM |
| 2:1 | 110-5156 | 1 | Suction Elbow ASM | 8:1:1 | 100-8637 | 1 | O-Ring |
| 2:1:1 | 100-8637 | 1 | O-Ring | 8:3 | 2412-34 | 2 | Clamp-Hose |
| 2:2 | 106-4952 | 1 | Hosebarb-90 DEG | 9 | 132-4333 | 1 | Hose-Bypass |
| 2:2:1 | 100-6989 | 1 | O-Ring | 9:2 | 106-4933 | 1 | Hosebarb ASM |
| 2:4 | 41327 | 2 | Clamp-Hose | 9:2:1 | 100-8637 | 1 | O-Ring |
| 3 | 133-2868 | 1 | Drain Hose ASM | 9:3 | 131-0213 | 1 | 90 DEG Barb Fitting Kit |
| 3:1 | 106-4933 | 1 | Hosebarb ASM | 9:3:1 | 133-0398 | 1 | Pin-Fork |



Reference **Spray Tank Assembly** page and **Spray Tank Valve Assembly** page for hose locations and orientation

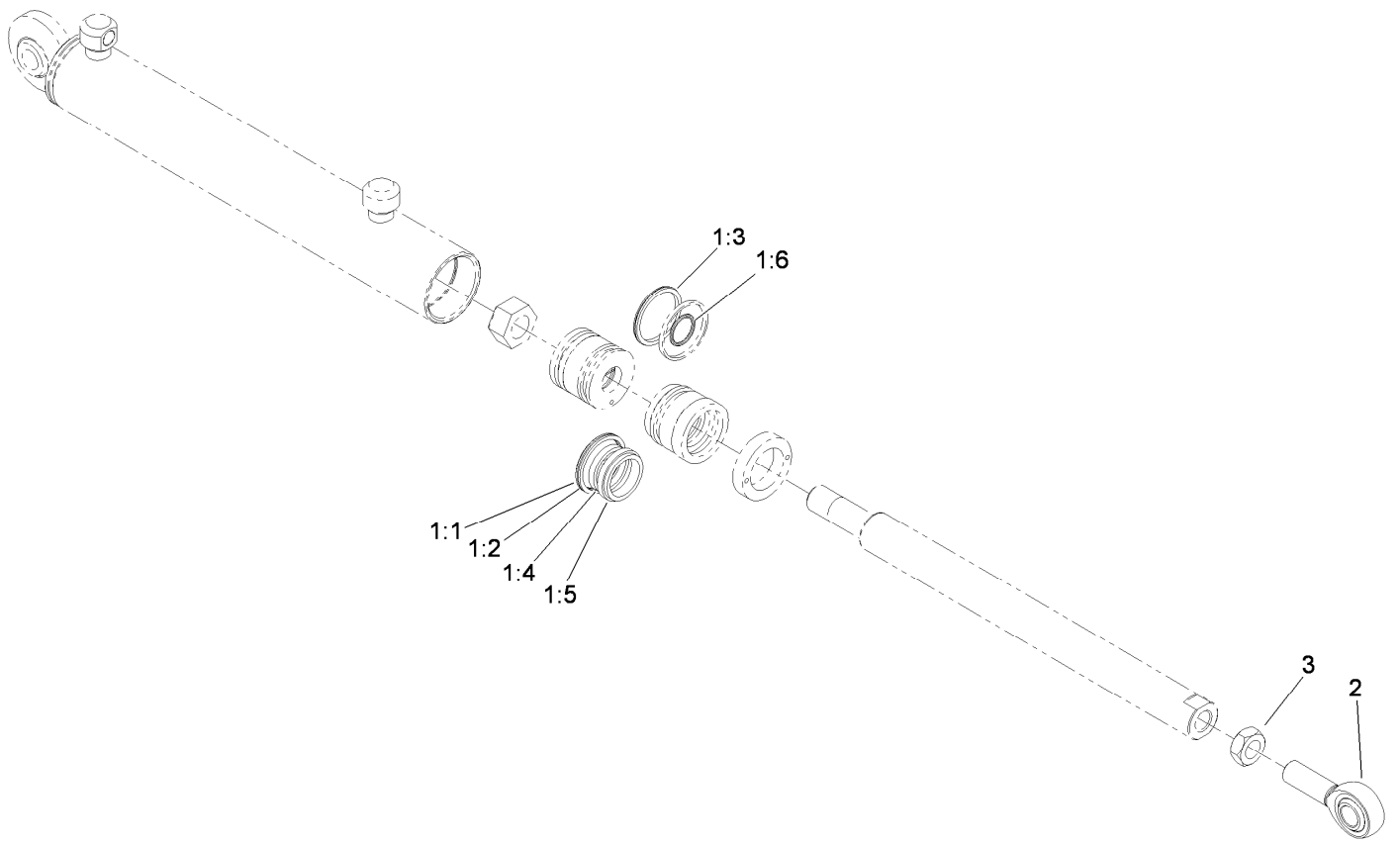
Hose Assembly (continued)

| <i>Ref.</i> | <i>Part Number</i> | <i>Qty.</i> | <i>Description</i> | <i>Ref.</i> | <i>Part Number</i> | <i>Qty.</i> | <i>Description</i> |
|-------------|--------------------|-------------|------------------------|-------------|--------------------|-------------|-------------------------|
| 9:4 | 2412-34 | 2 | Clamp-Hose | 11:3:1 | 133-0398 | 1 | Pin-Fork |
| 10 | 125-0643 | 1 | Lower Suction Hose ASM | 11:4 | 2412-34 | 2 | Clamp-Hose |
| 10:1 | 117-7965 | 1 | Hosebarb ASM | 12 | 132-4332 | 1 | Hose-Master |
| 10:1:1 | 100-6989 | 1 | O-Ring | 12:2 | 107-8704 | 1 | Hosebarb |
| 10:2 | 117-7982 | 1 | Hosebarb ASM | 12:3 | 131-0213 | 1 | 90 DEG Barb Fitting Kit |
| 10:2:2 | 100-8637 | 1 | O-Ring | 12:3:1 | 133-0398 | 1 | Pin-Fork |
| 10:4 | 41327 | 2 | Clamp-Hose | 12:4 | 2412-34 | 2 | Clamp-Hose |
| 11 | 132-4330 | 1 | Hose-Regulating | 13 | 132-4326 | 1 | Hose-Agitation, Supply |
| 11:2 | 106-4932 | 1 | Hosebarb-Straight | 13:2 | 127-9806 | 2 | Fitting Kit |
| 11:2:1 | 100-8637 | 1 | O-Ring | 13:2:1 | 133-0398 | 1 | Pin-Fork |
| 11:3 | 127-9806 | 1 | Fitting Kit | 13:3 | 2412-34 | 2 | Clamp-Hose |



Boom Lift Assembly

| Ref. | Part Number | Qty. | Description | Ref. | Part Number | Qty. | Description |
|------|-------------|------|----------------------------|------|-------------|------|-----------------------|
| 1 | 119-4856-03 | 1 | Plate-Mount, Cylinders | 11 | 59-7410 | 1 | Fitting-Diagnostic |
| 2 | 117-0701 | 2 | Hydraulic Cylinder ASM | 11:1 | 237-42 | 1 | O-Ring |
| 3 | 104-8300 | 6 | Nut-HF, NI | 12 | 354-79 | 1 | Cap-Dust |
| 4 | 131-0297-03 | 1 | Plate-Stiffener, Boom | 13 | 322-14 | 2 | Screw-HH |
| 5 | 112-7884 | 2 | Pin-Pivot | 15 | 110-5067 | 2 | Screw-CARR |
| 6 | 110-5053 | 2 | Screw-HHF | 16 | 99-5107 | 2 | Nut-Lock |
| 7 | 3234-29 | 2 | Screw-HHF | 17 | 119-4859 | 4 | Hose ASM |
| 8 | 130-8201-03 | 1 | Mount-Valve | 17:3 | 237-78 | 1 | O-Ring |
| 9 | 136-2400 | 1 | On-Off Boom Lift Valve ASM | 18 | 106-7968 | 1 | Coupler-Quick, Female |
| 10 | 340-2 | 2 | Fitting-Straight | 19 | 106-7969 | 1 | Coupler-Quick, Male |
| 10:1 | 237-22 | 1 | O-Ring | 20 | 127-9717 | 2 | Hose ASM |
| 10:2 | 237-42 | 1 | O-Ring | 20:1 | 237-42 | 1 | O-Ring |

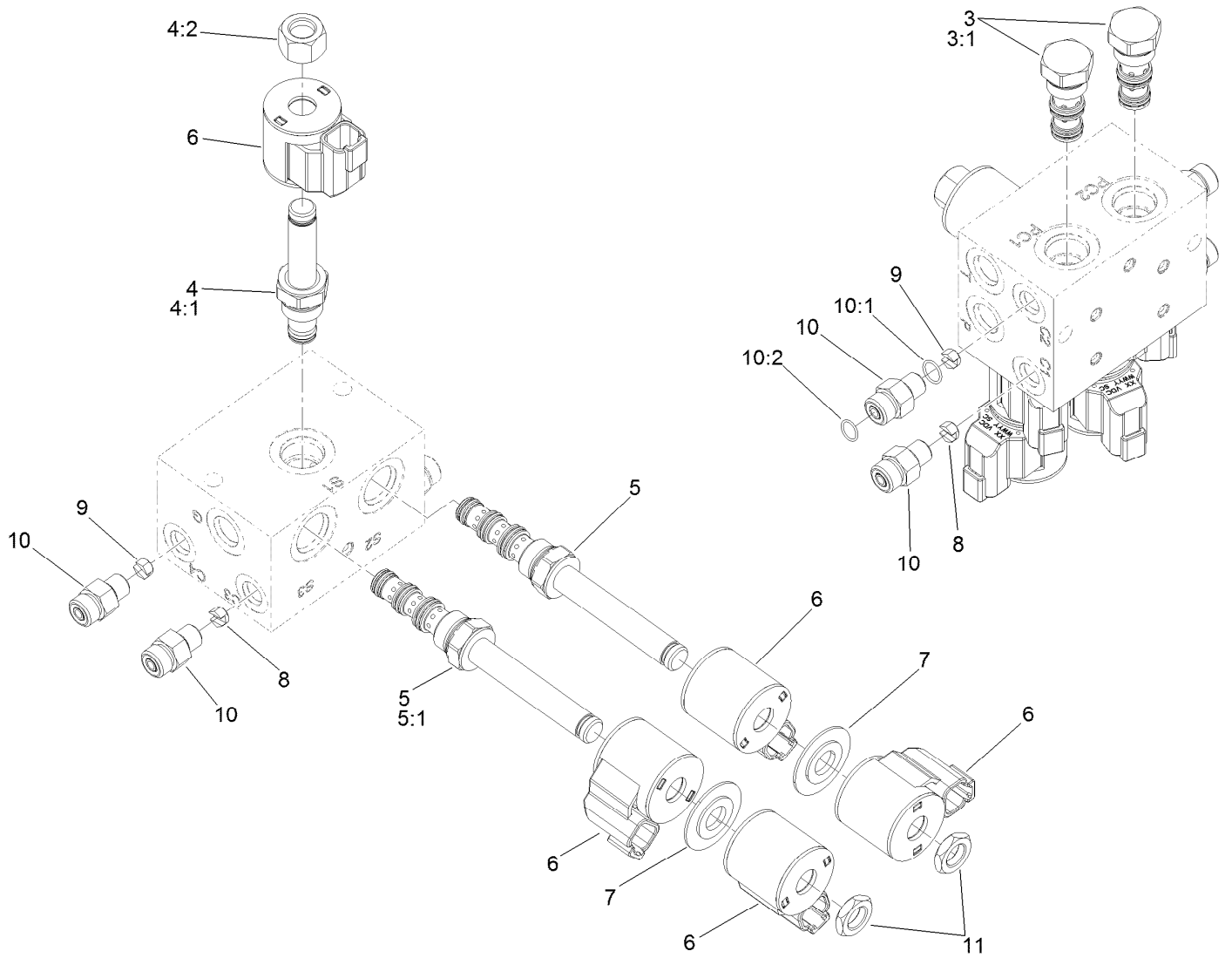


Hydraulic Cylinder Assembly No. 117-0701

| <i>Ref.</i> | <i>Part Number</i> | <i>Qty.</i> | <i>Description</i> |
|-------------|--------------------|-------------|--------------------|
| 1 | 119-8026 | 1 | Seal Kit ● |
| 1:1 | | 1 | O-Ring ■ |
| 1:2 | | 1 | Ring-Backup ■ |
| 1:3 | | 1 | Bp Seal ■ |
| 1:4 | | 1 | Bs Seal ■ |
| 1:5 | | 1 | Dust Seal ■ |
| 1:6 | | 1 | O-Ring ■ |
| 2 | 119-8027 | 1 | Rod End |
| 3 | 3220-6 | 1 | Nut-Jam |

● Not illustrated

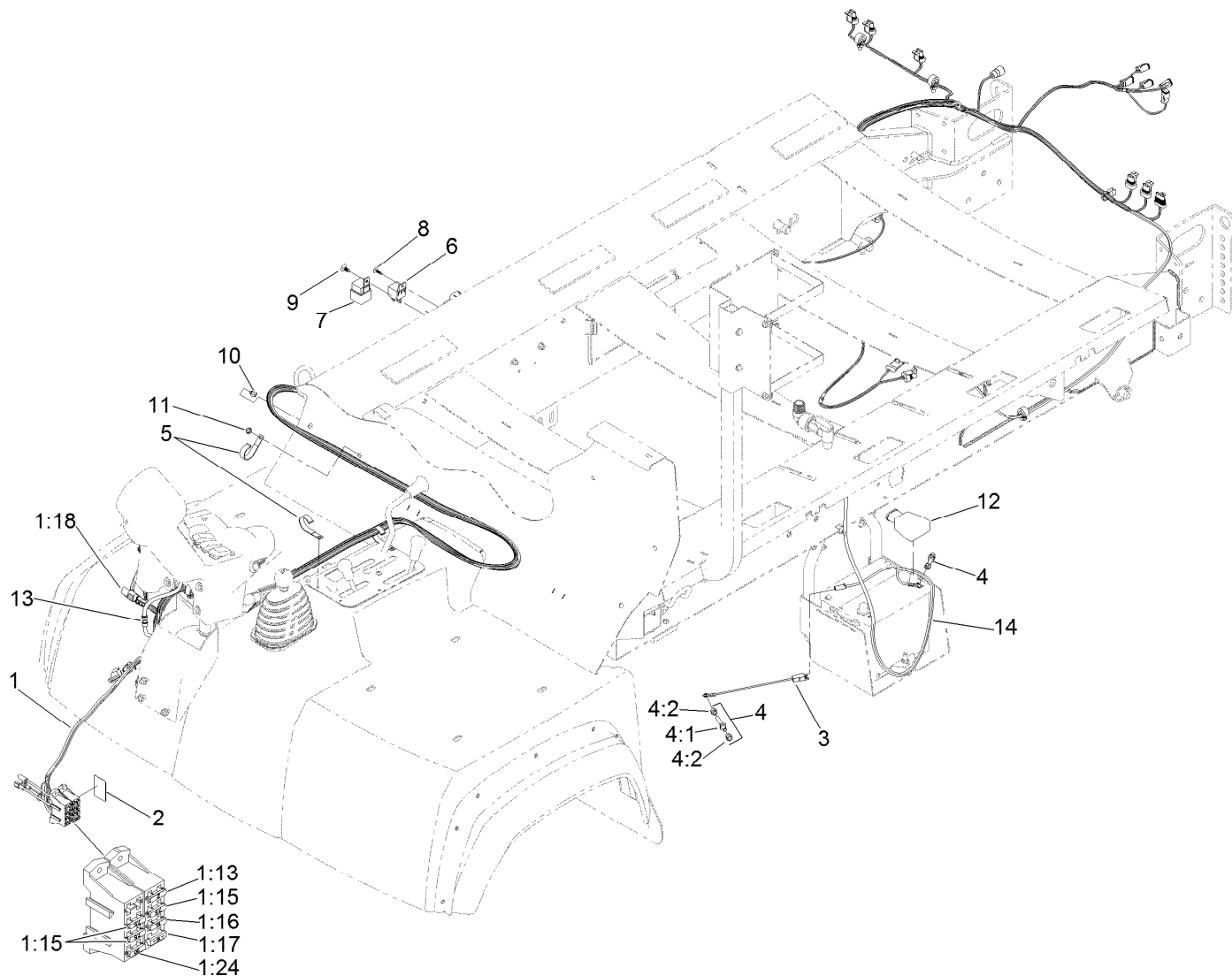
■ Not serviced separately



On-Off Boom Lift Valve Assembly No. 136-2400

| Ref. | Part Number | Qty. | Description |
|------|-------------|------|-------------------------------|
| 3 | 136-2430 | 2 | Valve-Check, Po |
| 3:1 | 120-0886 | 1 | Seal Kit |
| 4 | 107-7517 | 1 | Valve-Solenoid |
| 4:1 | 105-9156 | 1 | Seal Kit |
| 4:2 | 107-7812 | 1 | Nut-Solenoid |
| 5 | 120-2587 | 2 | Valve-Solenoid |
| 5:1 | 112-6520 | 1 | Seal Kit ● |
| 6 | 119-8036 | 5 | Coil |
| 7 | 120-2586 | 2 | Spacer-Coil |
| 8 | 110-8903 | 2 | Orifice-Control, Flow (0.055) |
| 9 | 125-8849 | 2 | Orifice-Flow Control |
| 10 | 340-92 | 4 | Fitting-Straight |
| 10:1 | 237-78 | 1 | O-Ring |
| 10:2 | 237-21 | 1 | O-Ring |
| 11 | 110-2634 | 2 | Nut-Coil |

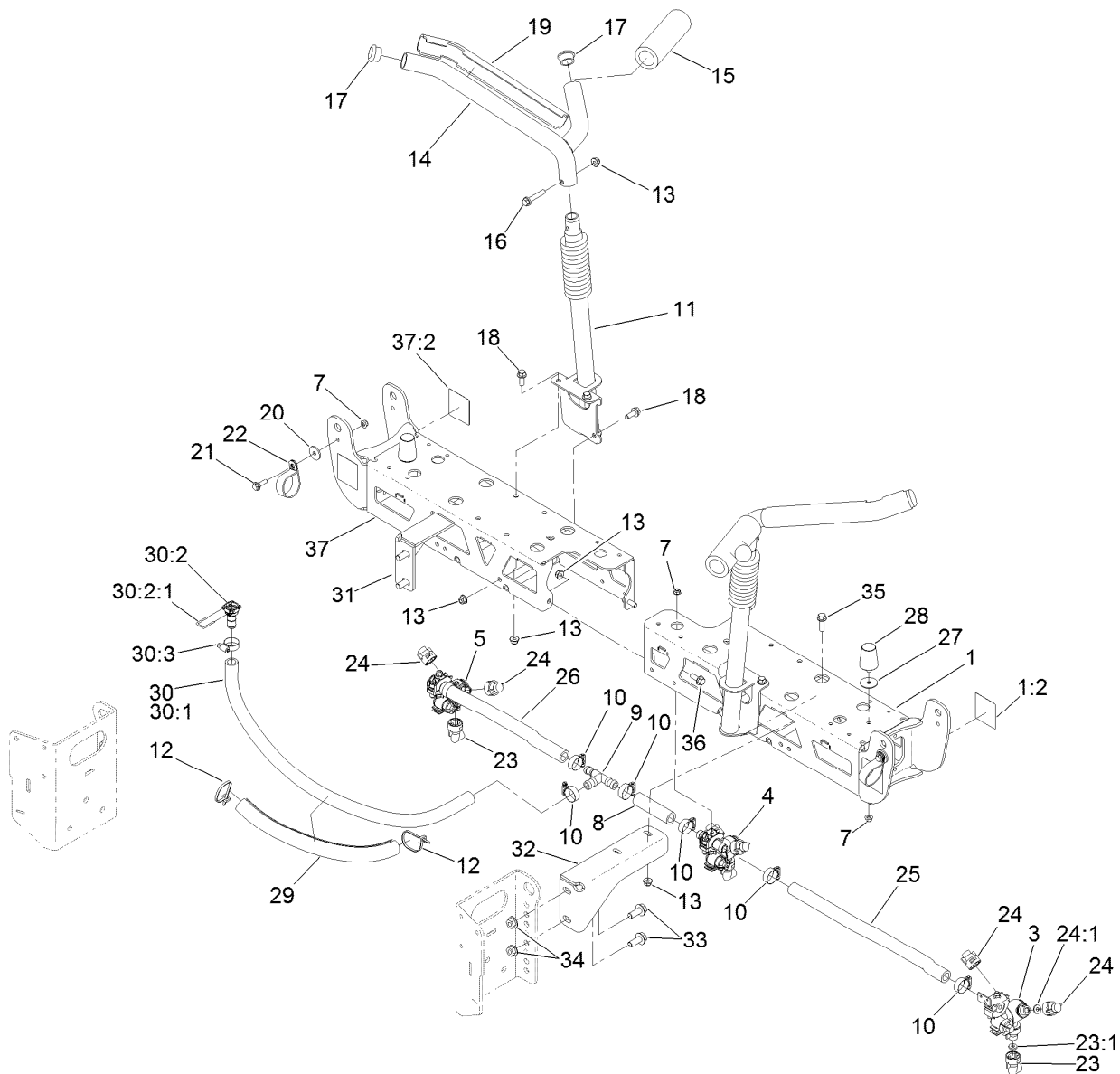
● Not illustrated



Electrical Assembly

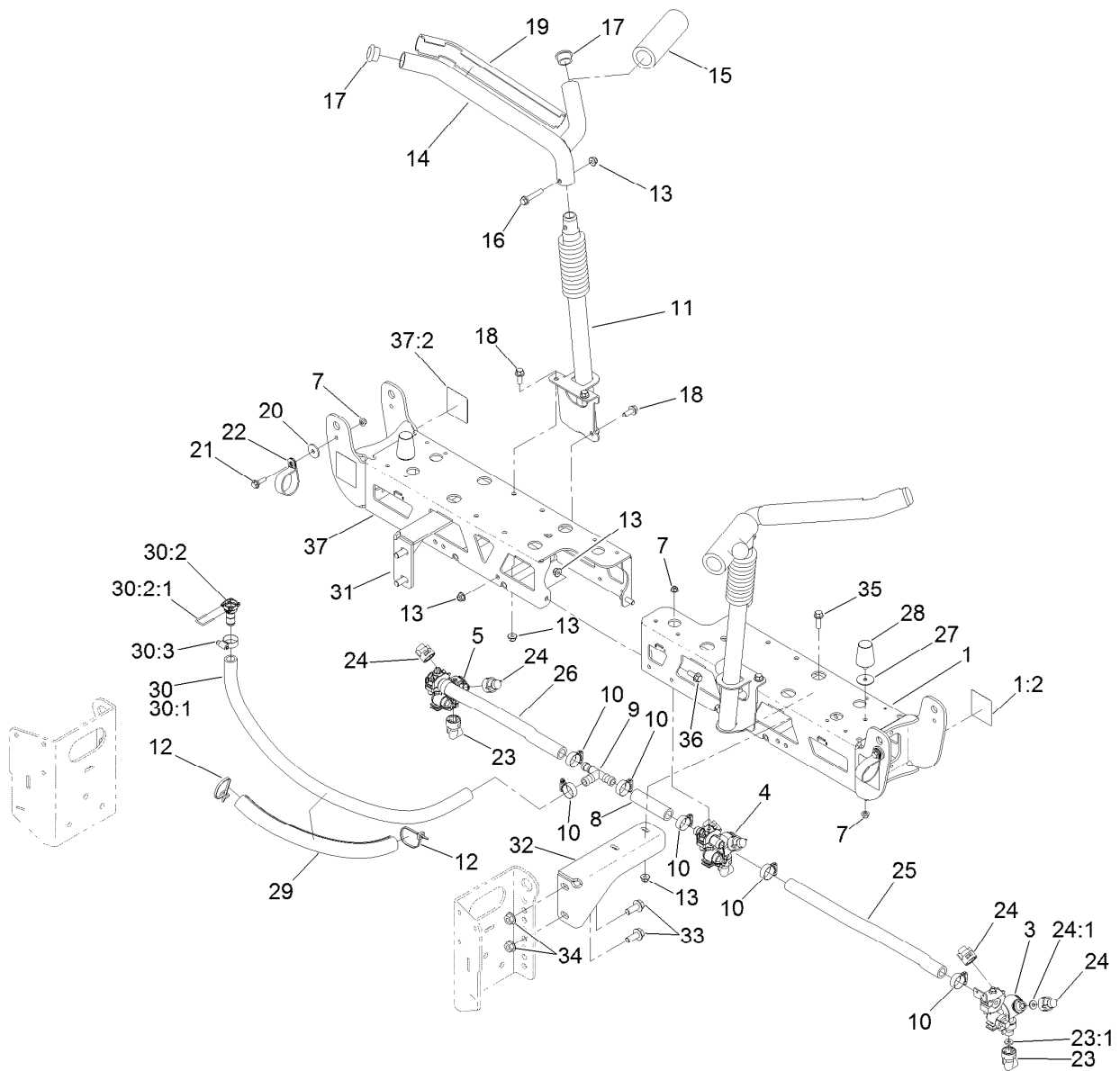
| <i>Ref.</i> | <i>Part Number</i> | <i>Qty.</i> | <i>Description</i> |
|-------------|--------------------|-------------|---------------------------------------|
| 1 | 122-1444 | 1 | Harness-Wire |
| 1:13 | 94-6710 | 1 | Fuse-2 Amp |
| 1:15 | 114241 | 2 | Fuse-Blade, 7.5 Amp |
| 1:16 | 218-578 | 1 | Fuse-Blade, 10 Amp |
| 1:17 | 109355 | 1 | Fuse-Blade, 15 Amp |
| 1:18 | 32180-043 | 2 | Resistor-120 Ohm |
| 1:24 | 109103 | 1 | Fuse-Blade, 30 Amp |
| 2 | 127-3966 | 1 | Decal-Fuse Block |
| 3 | 108-9455 | 1 | Harness-Wire, Fusible Link |
| 4 | 112-9921 | 2 | Bolt ASM |
| 4:1 | 32180-107 | 1 | Bolt-Battery Clamp, Double Ended Stud |

| <i>Ref.</i> | <i>Part Number</i> | <i>Qty.</i> | <i>Description</i> |
|-------------|--------------------|-------------|---------------------|
| 4:2 | 32180-108 | 2 | Nut-Battery Clamp |
| 5 | 106-1429 | 3 | Clamp-J |
| 6 | 99-7435 | 1 | Relay |
| 7 | 99-7430 | 1 | Relay-Mini |
| 8 | 125-8067 | 1 | Plug-Plastic |
| 9 | 104-0395 | 1 | Plug-Plastic |
| 10 | 3234-13 | 1 | Screw-HHF |
| 11 | 104-7201 | 1 | Nut-HF |
| 12 | 32180-110 | 1 | Insulator-Lead Cast |
| 13 | 132-7773 | 1 | Connector-Hose |
| 14 | 122-1445 | 1 | Harness-Wire |



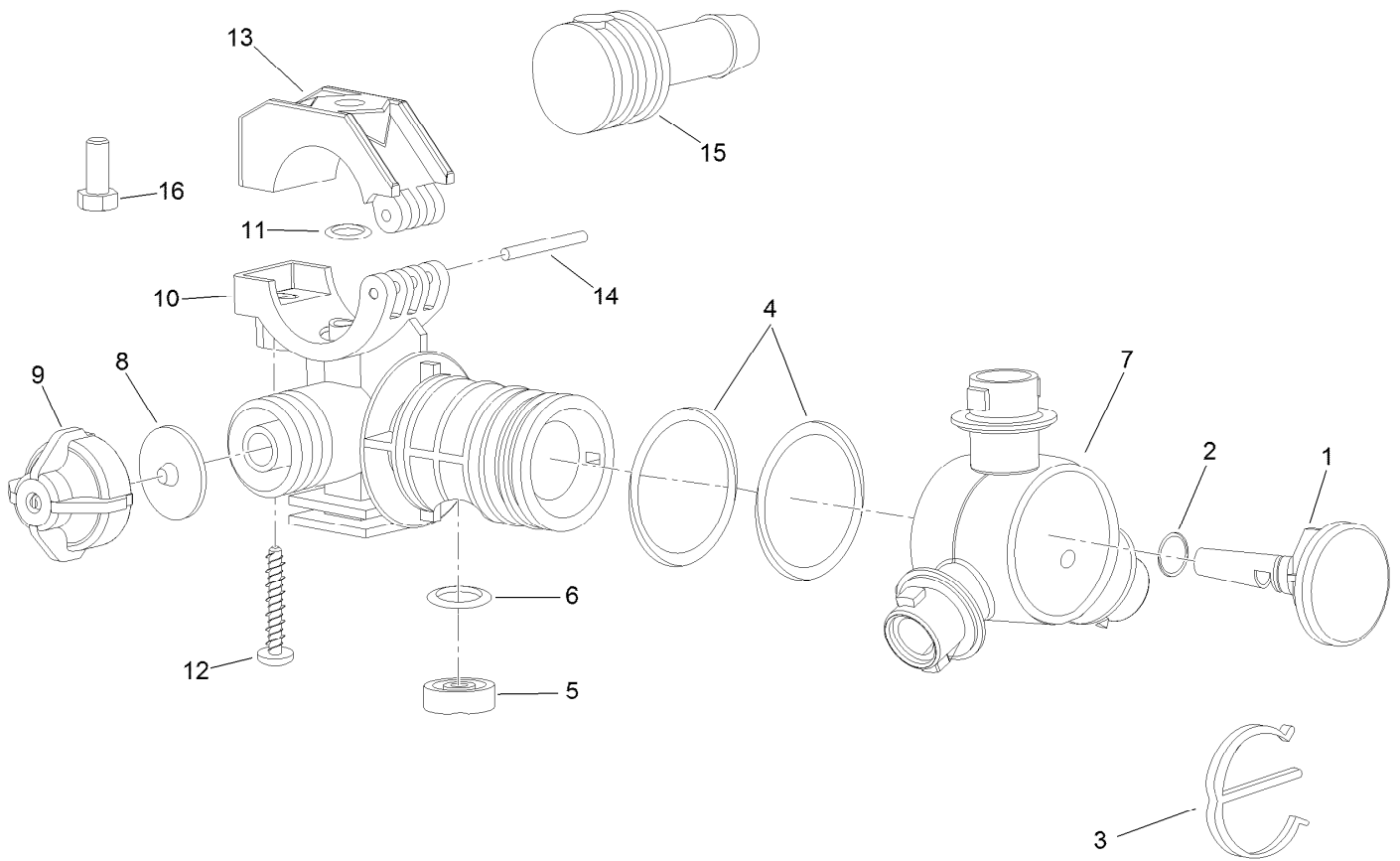
Center Boom Assembly

| Ref. | Part Number | Qty. | Description | Ref. | Part Number | Qty. | Description |
|------|-------------|------|-----------------------------|--------|-------------|------|------------------------|
| 1 | 136-0381 | 1 | Boom-LH | 22 | 114-9566 | 2 | Clamp-R |
| 1:2 | 120-0617 | 2 | Decal-Warning, Pinch, Crush | 23 | 95-9186 | 3 | Cap |
| 3 | 108-3725 | 1 | LH Single Body Turret ASM | 23:1 | 40998 | 1 | Seat-Gasket |
| 4 | 108-3727 | 1 | Double Turret Body ASM | 24 | 95-9187 | 6 | Cap-Blank |
| 5 | 108-3726 | 1 | RH Single Body Turret ASM | 24:1 | 40998 | 1 | Seat-Gasket |
| 7 | 104-8300 | 7 | Nut-HF, NI | 25 | 108-3735 | 1 | Hose-Boom, Center (LH) |
| 8 | 108-3717 | 1 | Hose-Boom | 26 | 108-3718 | 1 | Hose-Boom, Center (RH) |
| 9 | 108-3439 | 1 | Tee | 27 | 3256-68 | 2 | Washer-Flat |
| 10 | 2412-129 | 7 | Clamp-Hose | 28 | 110-5070 | 2 | Bumper |
| 11 | 130-8238-03 | 2 | Lower Cradle ASM | 29 | 127-3923 | 1 | Conduit-Convolved |
| 12 | 3290-378 | 2 | Tie-Cable | 30 | 132-4335 | 1 | Hose-Center Boom |
| 13 | 104-8301 | 14 | Nut-HF, NI | 30:1 | 127-9770 | 1 | Hose-Shutoff |
| 14 | 108-3476-03 | 2 | Cradle-Upper | 30:2 | 127-9807 | 1 | Straight Fitting Kit |
| 15 | 108-3457 | 2 | Spacer | 30:2:1 | 133-0398 | 1 | Pin-Fork |
| 16 | 108-3742 | 2 | Screw-HHF | 30:3 | 2412-129 | 1 | Clamp-Hose |
| 17 | 108-3489 | 4 | Cap-Tube | 31 | 127-8955-03 | 1 | Mount-Boom |
| 18 | 110-5052 | 6 | Screw-HHF | 32 | 127-8956-03 | 1 | Mount-Boom |
| 19 | 108-3495 | 2 | Cover-Slide | 33 | 110-5057 | 4 | Capscrew-HHF |
| 20 | 108-3743 | 2 | Washer | 34 | 108-3745 | 4 | Nut-HHF, Whiz |
| 21 | 108-3744 | 2 | Screw-Shoulder | 35 | 110-5050 | 4 | Screw-HHF |
| | | | | 36 | 3234-42 | 2 | Screw-HHF |



Center Boom Assembly (continued)

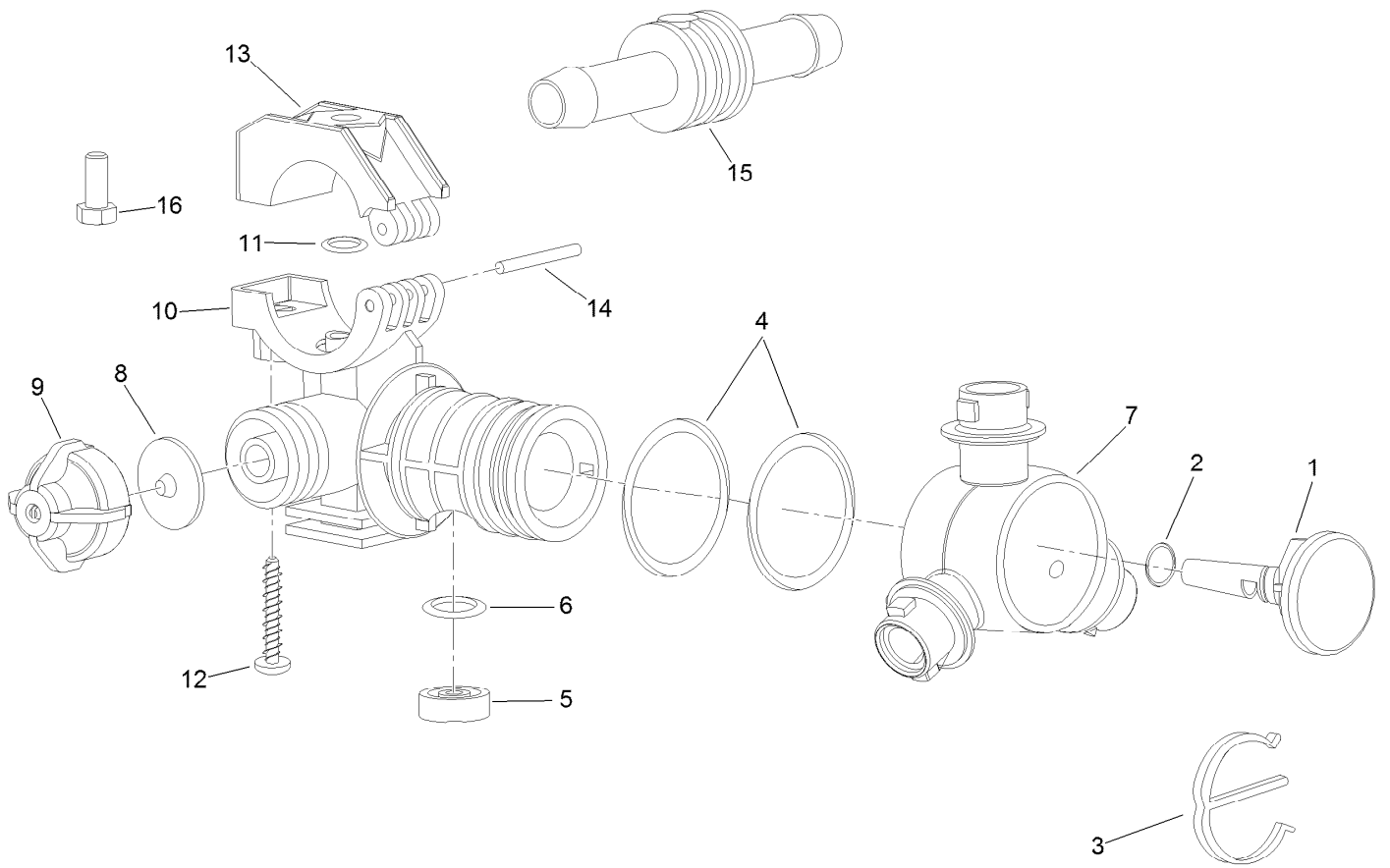
| Ref. | Part Number | Qty. | Description |
|------|-------------|------|-----------------------------|
| 37 | 136-0382 | 1 | Boom-RH |
| 37:2 | 120-0617 | 2 | Decal-Warning, Pinch, Crush |



LH Single Turret Body Assembly No. 108-3725

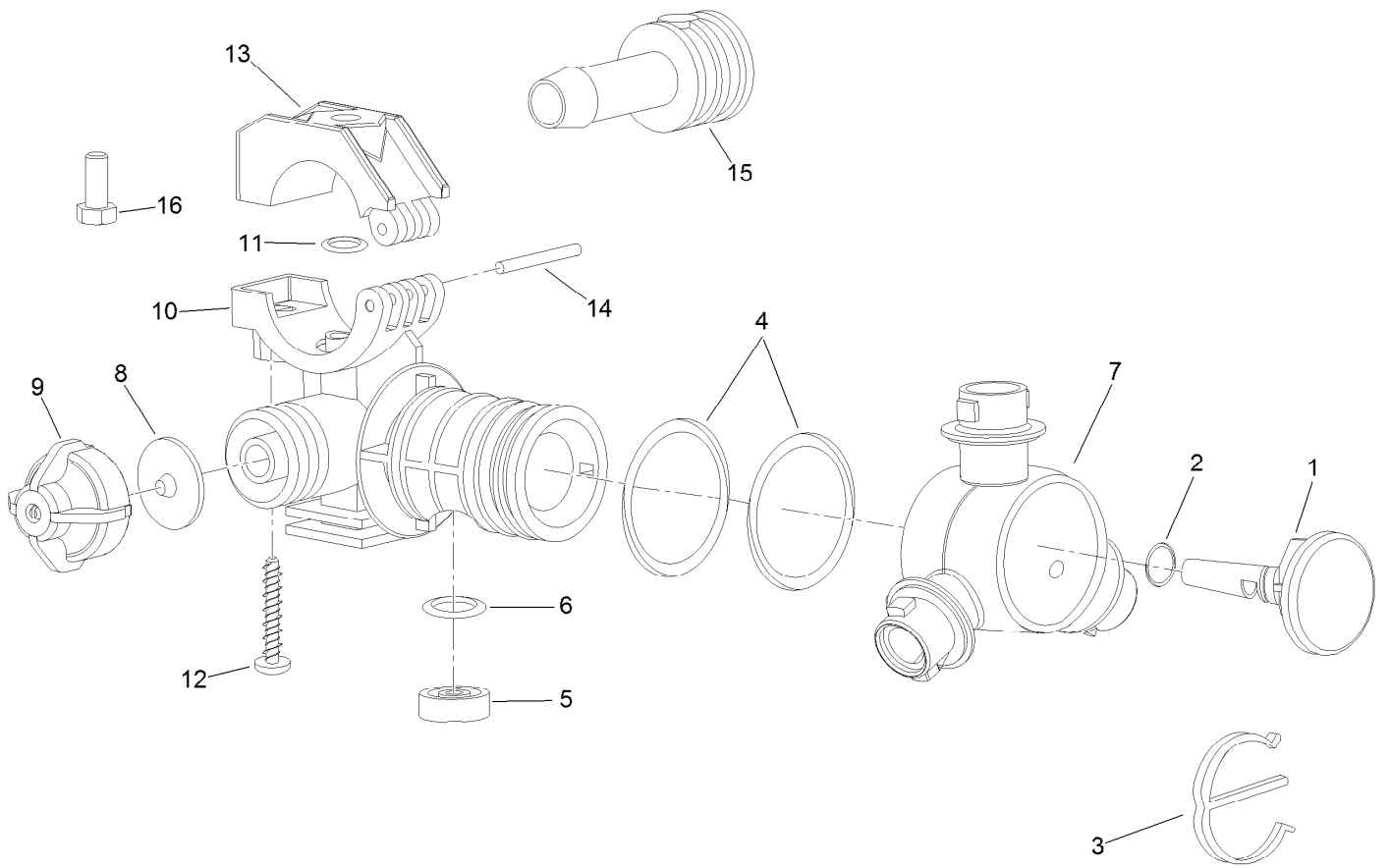
| <i>Ref.</i> | <i>Part Number</i> | <i>Qty.</i> | <i>Description</i> |
|-------------|--------------------|-------------|--------------------|
| 1 | 95-9200 | 1 | Plug |
| 2 | 95-9198 | 1 | O-Ring |
| 3 | 95-9197 | 1 | E-Clip |
| 4 | 95-9199 | 2 | O-Ring |
| 5 | 108-3264 | 1 | Seal-Viton |
| 6 | 108-3265 | 1 | O-Ring-Viton |
| 7 | 95-9196 | 1 | Turret |
| 8 | 41003 | 1 | Diaphragm |

| <i>Ref.</i> | <i>Part Number</i> | <i>Qty.</i> | <i>Description</i> |
|-------------|--------------------|-------------|--------------------|
| 9 | 95-9193 | 1 | Cap-Diaphragm |
| 10 | 95-9192 | 1 | Body-Split Eyelet |
| 11 | 95-9191 | 1 | O-Ring |
| 12 | 99-0811 | 1 | Screw-Clamp |
| 13 | 99-0812 | 1 | Clamp-Upper |
| 14 | 99-0814 | 1 | Pin-Pivot |
| 15 | 95-9201 | 1 | Shank-Hose |
| 16 | 322-3 | 1 | Screw-HH |



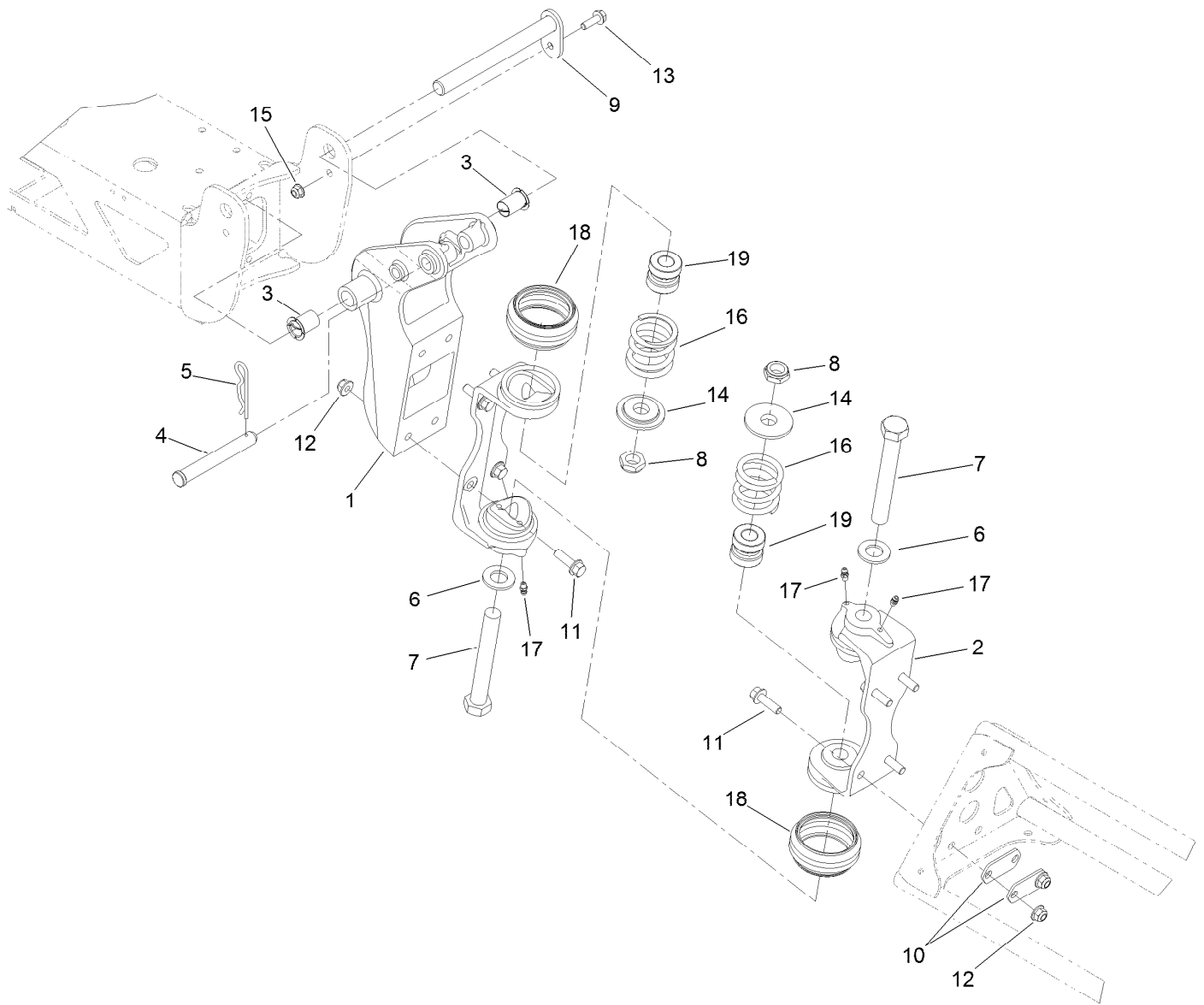
Double Turret Body Assembly No. 108-3727

| <i>Ref.</i> | <i>Part Number</i> | <i>Qty.</i> | <i>Description</i> | <i>Ref.</i> | <i>Part Number</i> | <i>Qty.</i> | <i>Description</i> |
|-------------|--------------------|-------------|--------------------|-------------|--------------------|-------------|--------------------|
| 1 | 95-9200 | 1 | Plug | 9 | 95-9193 | 1 | Cap-Diaphragm |
| 2 | 95-9198 | 1 | O-Ring | 10 | 95-9192 | 1 | Body-Split Eyelet |
| 3 | 95-9197 | 1 | E-Clip | 11 | 95-9191 | 1 | O-Ring |
| 4 | 95-9199 | 2 | O-Ring | 12 | 99-0811 | 1 | Screw-Clamp |
| 5 | 108-3264 | 1 | Seal-Viton | 13 | 99-0812 | 1 | Clamp-Upper |
| 6 | 108-3265 | 1 | O-Ring-Viton | 14 | 99-0814 | 1 | Pin-Pivot |
| 7 | 95-9196 | 1 | Turret | 15 | 95-9202 | 1 | Shank-Hose |
| 8 | 41003 | 1 | Diaphragm | 16 | 322-3 | 1 | Screw-HH |



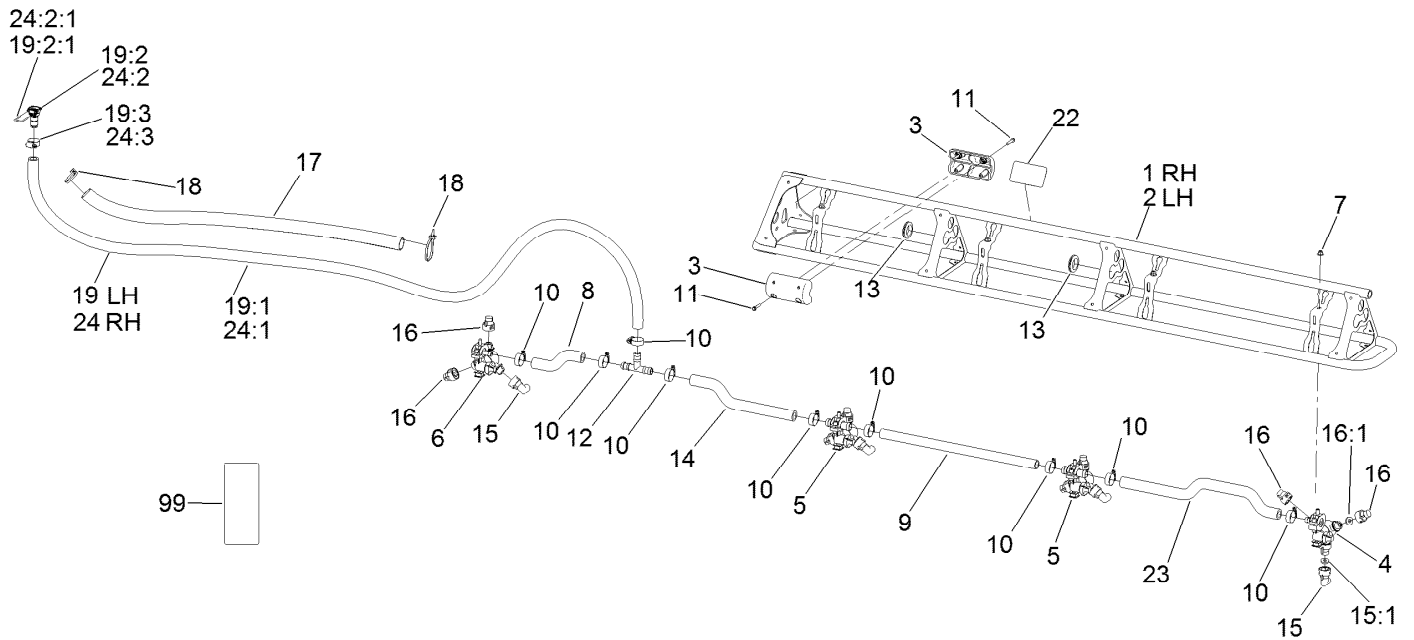
RH Single Body Turret Assembly No. 108-3726

| <i>Ref.</i> | <i>Part Number</i> | <i>Qty.</i> | <i>Description</i> | <i>Ref.</i> | <i>Part Number</i> | <i>Qty.</i> | <i>Description</i> |
|-------------|--------------------|-------------|--------------------|-------------|--------------------|-------------|--------------------|
| 1 | 95-9200 | 1 | Plug | 9 | 95-9193 | 1 | Cap-Diaphragm |
| 2 | 95-9198 | 1 | O-Ring | 10 | 95-9192 | 1 | Body-Split Eyelet |
| 3 | 95-9197 | 1 | E-Clip | 11 | 95-9191 | 1 | O-Ring |
| 4 | 95-9199 | 2 | O-Ring | 12 | 99-0811 | 1 | Screw-Clamp |
| 5 | 108-3264 | 1 | Seal-Viton | 13 | 99-0812 | 1 | Clamp-Upper |
| 6 | 108-3265 | 1 | O-Ring-Viton | 14 | 99-0814 | 1 | Pin-Pivot |
| 7 | 95-9196 | 1 | Turret | 15 | 95-9201 | 1 | Shank-Hose |
| 8 | 41003 | 1 | Diaphragm | 16 | 322-3 | 1 | Screw-HH |



Boom Mounting Assembly

| Ref. | Part Number | Qty. | Description | Ref. | Part Number | Qty. | Description |
|------|-------------|------|---------------|------|-------------|------|------------------------|
| 1 | 119-4993-03 | 2 | Bracket-Pivot | 11 | 110-5050 | 16 | Screw-HHF |
| 2 | 108-3471-03 | 4 | Hinge | 12 | 104-8301 | 16 | Nut-HF, NI |
| 3 | 100-8541 | 4 | Bushing-A Arm | 13 | 108-3748 | 2 | Screw-HHF |
| 4 | 108-3436 | 2 | Pin-Clevis | 14 | 108-3444 | 4 | Retainer-Spring |
| 5 | 3290-468 | 2 | Pin-Cotter | 15 | 104-8300 | 2 | Nut-HF, NI |
| 6 | 110-5054 | 4 | Washer-Flat | 16 | 108-3440 | 4 | Spring-Breakaway, Boom |
| 7 | 108-3738 | 4 | Screw-HH | 17 | 302-5 | 8 | Fitting-Grease |
| 8 | 3296-15 | 4 | Nut-Lock, NI | 18 | 108-3459 | 4 | Boot-Hinge |
| 9 | 108-3419 | 2 | Pivot Pin ASM | 19 | 120-8541 | 4 | Dampener-Hinge |
| 10 | 108-3605 | 8 | Plate-Backing | | | | |



Left and Right Hand Boom Assembly

| Ref. | Part Number | Qty. | Description | Ref. | Part Number | Qty. | Description |
|------|-------------|------|---------------------------|--------|-------------|------|------------------------|
| 1 | 108-3524-03 | 1 | Boom-RH | 16:1 | 40998 | 1 | Seat-Gasket |
| 2 | 108-3525-03 | 1 | Boom-LH | 17 | 107-8650 | 2 | Conduit-Convolutd |
| 3 | 119-9368 | 4 | Block Slide | 18 | 3290-378 | 6 | Tie-Cable |
| 4 | 108-3725 | 2 | LH Single Body Turret ASM | 19 | 132-4334 | 1 | Hose-Left Boom |
| 5 | 108-3727 | 4 | Double Turret Body ASM | 19:1 | 131-3790 | 1 | Hose-Boom, RH |
| 6 | 108-3726 | 2 | RH Single Body Turret ASM | 19:2 | 127-9807 | 1 | Straight Fitting Kit |
| 7 | 104-8300 | 8 | Nut-HF, NI | 19:2:1 | 133-0398 | 1 | Pin-Fork |
| 8 | 136-0437 | 2 | Hose-Formed | 19:3 | 2412-129 | 1 | Clamp-Hose |
| 9 | 40506 | 2 | Hose-Jumper | 22 | 104-8904 | 2 | Decal-Grasp Boom Here |
| 10 | 2412-129 | 18 | Clamp-Hose | 23 | 108-3735 | 2 | Hose-Boom, Center (LH) |
| 11 | 119-9369 | 8 | Screw-HHF | 24 | 132-4324 | 1 | Hose-Boom |
| 12 | 108-3439 | 2 | Tee | 24:1 | 127-9769 | 1 | Hose-Supply |
| 13 | 240-3 | 4 | Grommet-Rubber | 24:2 | 127-9807 | 1 | Straight Fitting Kit |
| 14 | 136-0436 | 2 | Hose-Formed | 24:2:1 | 133-0398 | 1 | Pin-Fork |
| 15 | 95-9186 | 8 | Cap | 24:3 | 2412-129 | 1 | Clamp-Hose |
| 15:1 | 40998 | 1 | Seat-Gasket | 99 | 119-9434 | 1 | Decal-Magnetic |
| 16 | 95-9187 | 16 | Cap-Blank | | | | |

Attachments and Accessories

For 41240 Multi Pro WM Turf Sprayer

| Product Name | Model/Part |
|--|-------------------|
| Foam Marker Kit | 41249 |
| Drift Reduction Boom Shroud Kit | 41602 |
| Chemical Pre-Mix Kit | 41244 |
| Electric Hose Reel Kit | 41245 |
| Tank Clean Rinse Kit | 41241 |
| Foam Marker Finishing Kit | 136-0459 |
| Single Nozzle Kit..... | 41023 |
| Fan Kit (EFI, Gas Engine Only)..... | 127-9719 |
| License Plate Kit | 120-8506 |
| Premium ATF (Drum)..... | 108-1185 |
| Premium ATF (Pail) | 108-1186 |
| Lance Suction Assembly | 127-9826 |
| Covered Boom Spring Upgrade Kit..... | 120-8508 |
| Pro-Foam..... | 41607 |
| Pro Foam Concentrate (4 x 1 Gallon) | 41157 |
| Premium All Purpose Grease (Tube) | 108-1190 |
| Jackstand Kit | 41216 |
| Premium Engine Oil 10w30 (55 Gallon Drum) | 121-6392 |
| Premium Engine Oil 10w30 (5 Gallon Pail) | 121-6393 |
| Hand Spray Wand Kit | 41118 |
| EU Compliance Kit..... | 41200 |
| Ultra Sonic Boom Leveling Kit | 41219 |
| Ultra Sonic Boom Finishing Kit, 2013 and After Multi Pro WM Turf Sprayer | 133-2808 |
| Rear Work Light Kit..... | 41010 |
| Multi Pro WM Turf Sprayer Finishing Kit (Automatic)..... | 131-3301 |
| Multi Pro WM Turf Sprayer Finishing Kit (Manual)..... | 131-3302 |
| Pump Head Kit..... | 133-2898 |
| Cab Finishing Kit, 2016 and After Multi Pro WM Turf Sprayer..... | 133-2725 |
| Cab Kit..... | 07392 |

Notes:



Count on it.