



Count on it.

Parts Catalog

**53cm Super Recycler®
Lawn Mower**

Model No. 21690—Serial No. 40000000 and Up



Ordering Replacement Parts

To order replacement parts, please supply the part number, the quantity, and the description of each part desired.

Understanding Reference Numbers

Each identified part in an illustration has a reference number. The reference number for a part also appears in the parts list, along with other information about the part.

This catalog uses two special reference number formats, one to indicate parts in a service assembly and another to indicate the quantity of a given part in an illustration.

Service Assembly Reference Numbers

Parts in service assemblies have reference numbers in the form a:b. The a represents the reference number of the entire service assembly and the b represents a sequential number unique to each part within the service assembly.

For example, a wheel assembly might be identified by reference number 6, the tire by 6:1, the valve by 6:2, and the wheel by 6:3. When you order the assembly identified by reference number 6, you receive all parts identified by reference numbers 6:1, 6:2, and 6:3. However, you may also order any part individually. Reference numbers of this type appear in illustration and in parts lists.

Reference Numbers Indicating Quantity

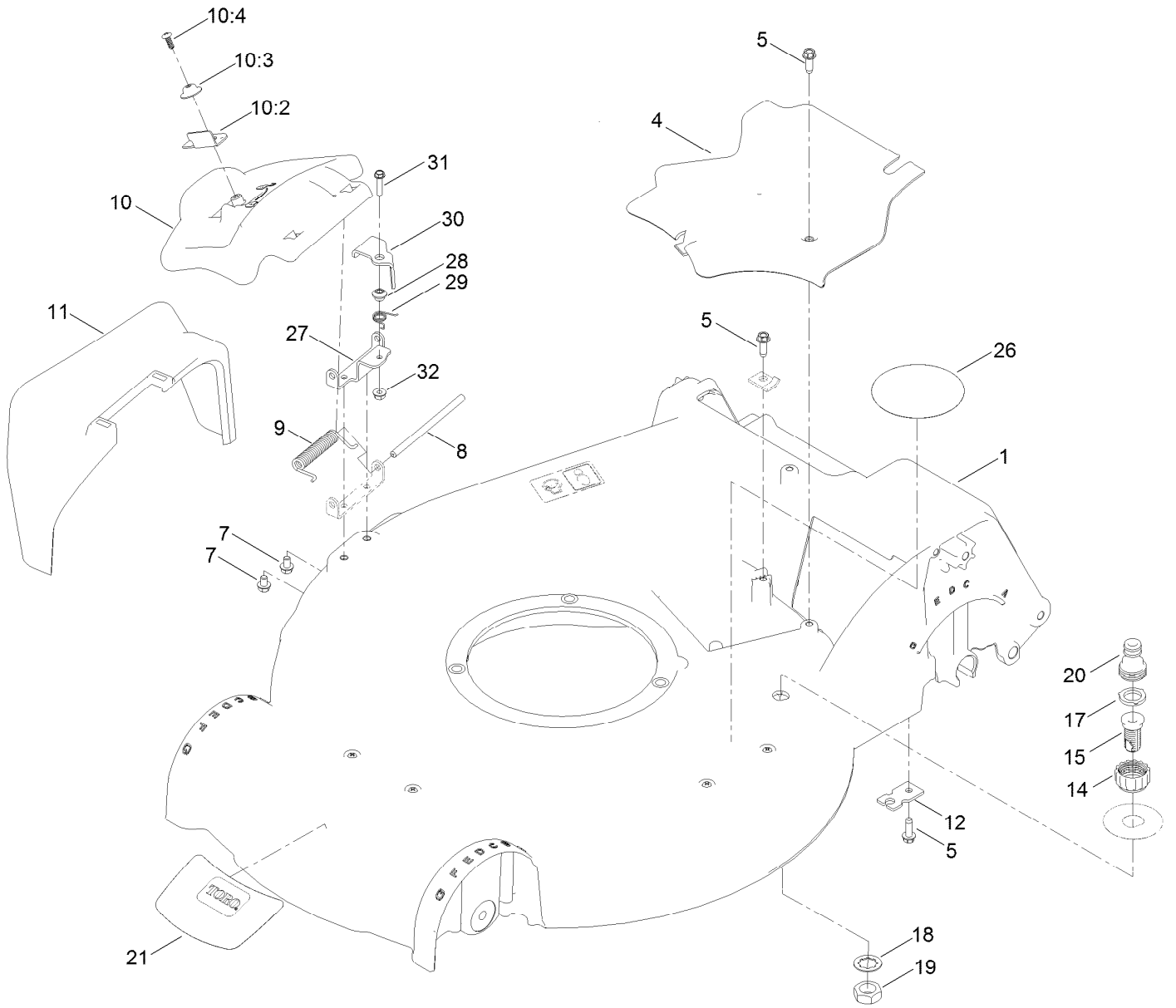
In an illustration, if a reference number indicates more than one part, the reference number has the form nX y. The n represents the quantity of the part, the X is the multiplication symbol, and the y represents the reference number.

For example, in an illustration, the reference number 2X 37 means that two of the parts identified by reference number 37 are indicated.

Contents

| | |
|---|----|
| Housing Assembly | 4 |
| Housing Assembly No. 115-2855 | 6 |
| Side Chute and Rear Door Assembly | 8 |
| Bag Assembly | 10 |
| Engine and Blade Assembly | 12 |
| Front Wheel and Hight-of-Cut Assembly | 14 |
| Rear Wheel and Height-of-Cut Assembly | 16 |
| Handle Assembly | 18 |
| Attachments and Accessories | 20 |

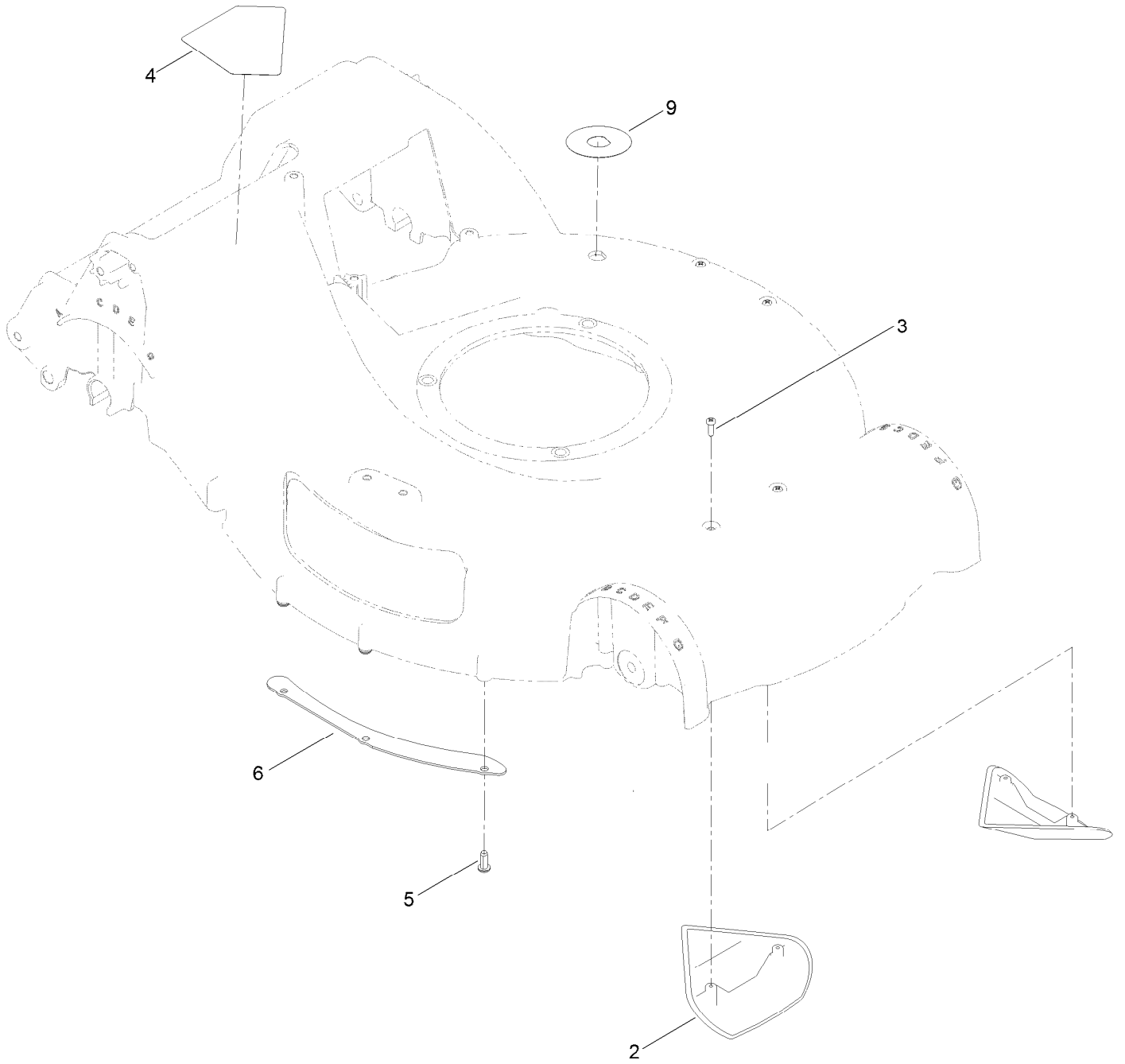
Housing Assembly



Housing Assembly (continued)

| <i>Ref.</i> | <i>Part Number</i> | <i>Qty.</i> | <i>Description</i> | <i>Ref.</i> | <i>Part Number</i> | <i>Qty.</i> | <i>Description</i> |
|-------------|--------------------|-------------|--------------------------------|-------------|--------------------|-------------|---------------------------|
| 1 | 115-2855 | 1 | Housing ASM | 15 | 112-6400 | 1 | Port-Washout |
| 4 | 107-7494 | 1 | Cover-Belt | 17 | 112-6438 | 1 | Washer-Seal, Washout Port |
| 5 | 49-2040 | 2 | Screw-HWHTF | 18 | 139-1721 | 1 | Washer-Lock, Int Tooth |
| 7 | 137-4795 | 2 | Screw | 19 | 3218-6 | 1 | Nut-Jam |
| 8 | 99-5291 | 1 | Rod-Cover | 20 | 112-6437 | 1 | Adapter-Connect, Quick |
| 9 | 99-5293 | 1 | Spring-Torsion | 21 | 136-7098 | 1 | Decal-Deck |
| 10 | 138-3259 | 1 | Discharge Door ASM | 26 | 133-1986 | 1 | Decal-Pos |
| 10:2 | 138-3221 | 1 | Latch-Door | 27 | 138-3293 | 1 | Bracket-Lockout |
| 10:3 | 138-3242 | 1 | Cap-Door | 28 | 107-7463 | 1 | Spacer |
| 10:4 | 137-9137 | 1 | Screw-PPH | 29 | 107-7462 | 1 | Spring-Torsion |
| 11 | 108-3753 | 1 | Chute-Discharge, Side | 30 | 138-3292 | 1 | Lever-Lockout |
| 12 | 138-3224 | 1 | Bracket-Cable, Traction | 31 | 106-9169 | 1 | Screw-HWH |
| 14 | 112-6401 | 1 | Coupling-Hose, Washout Port | 32 | 139-1712 | 1 | Nut-Hex Flange |

Housing Assembly No. 115-2855

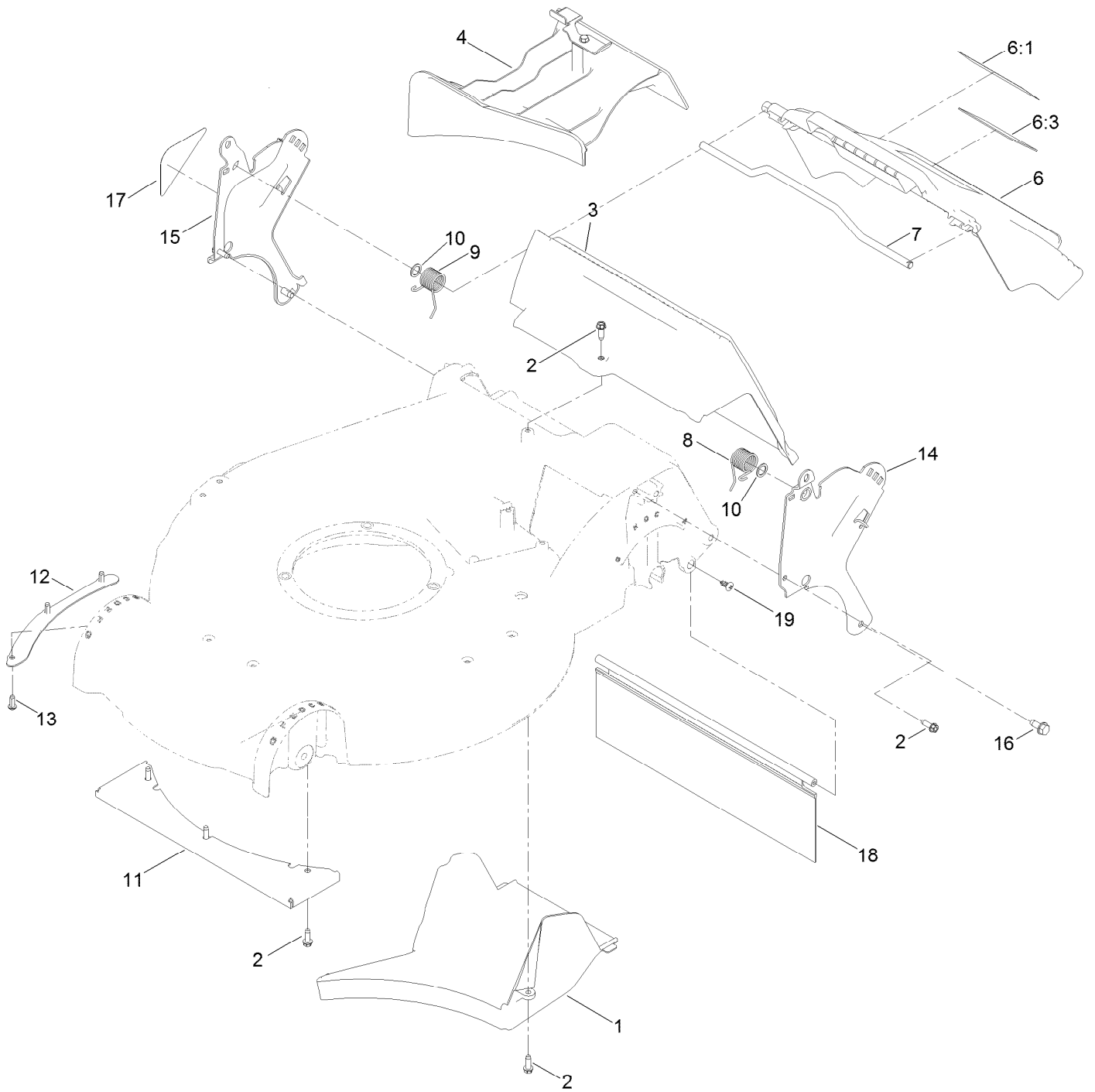


Housing Assembly No. 115-2855 (continued)

| <i>Ref.</i> | <i>Part Number</i> | <i>Qty.</i> | <i>Description</i> |
|-------------|--------------------|-------------|--------------------|
| 2 | 108-3798 | 2 | Kicker-Housing |
| 3 | 32144-111 | 4 | Screw-PPH |
| 4 | 112-8760 | 1 | Decal-Danger |

| <i>Ref.</i> | <i>Part Number</i> | <i>Qty.</i> | <i>Description</i> |
|-------------|--------------------|-------------|--------------------|
| 5 | 63-8590 | 3 | Screw |
| 6 | 105-1316-03 | 1 | Sheet-Lip |
| 9 | 137-9196 | 1 | Decal-Quick Wash |

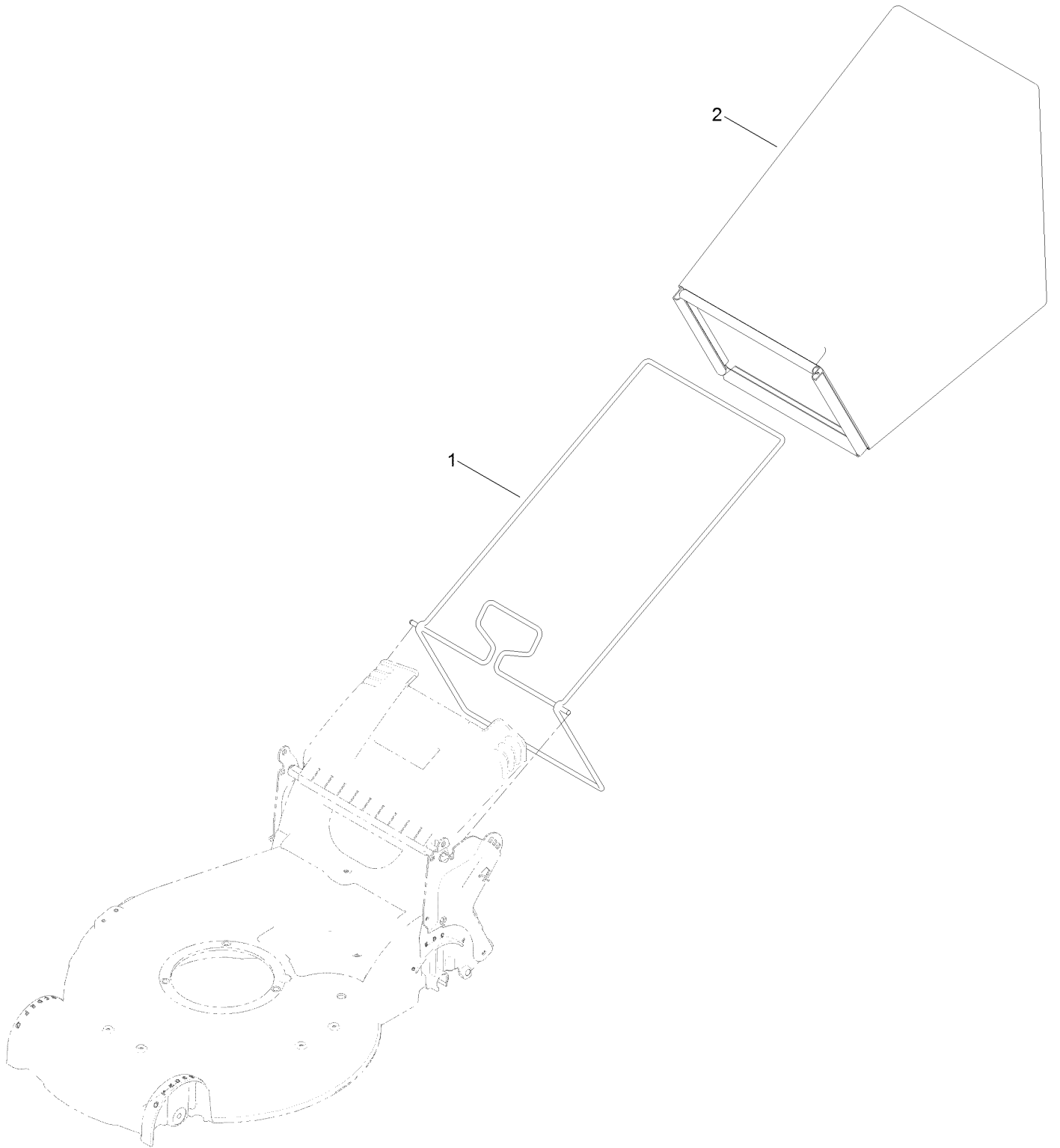
Side Chute and Rear Door Assembly



Side Chute and Rear Door Assembly (continued)

| <i>Ref.</i> | <i>Part Number</i> | <i>Qty.</i> | <i>Description</i> | <i>Ref.</i> | <i>Part Number</i> | <i>Qty.</i> | <i>Description</i> |
|-------------|--------------------|-------------|--------------------|-------------|--------------------|-------------|--------------------|
| 1 | 107-7495 | 1 | Tunnel-Discharge | 10 | 94-8196 | 2 | Washer-Nylon |
| 2 | 49-2040 | 8 | Screw-HWHTF | 11 | 108-3797-03 | 1 | Plate-Cover, Front |
| 3 | 114-2668 | 1 | Chute | 12 | 105-1316-03 | 1 | Sheet-Lip |
| 4 | 139-5400 | 1 | Mulch Plug ASM | 13 | 63-8590 | 3 | Screw |
| 6 | 119-3803 | 1 | Rear Door ASM | 14 | 114-2671-03 | 1 | Bracket-Handle, LH |
| 6:1 | 131-4514 | 1 | Decal-Warning | 15 | 114-2672-03 | 1 | Bracket-Handle, RH |
| 6:3 | 104-7908 | 1 | Decal-Warning | 16 | 32144-70 | 2 | Screw-HWHTF |
| 7 | 117-9378 | 1 | Rod-Deflector | 17 | 115-2884 | 1 | Decal-Instruction |
| 8 | 115-2859 | 1 | Spring-Torsion | 18 | 120-7011 | 1 | Shield-Trailing |
| 9 | 114-7924 | 1 | Spring-Torsion | 19 | 139-1692 | 2 | Screw-Thd |

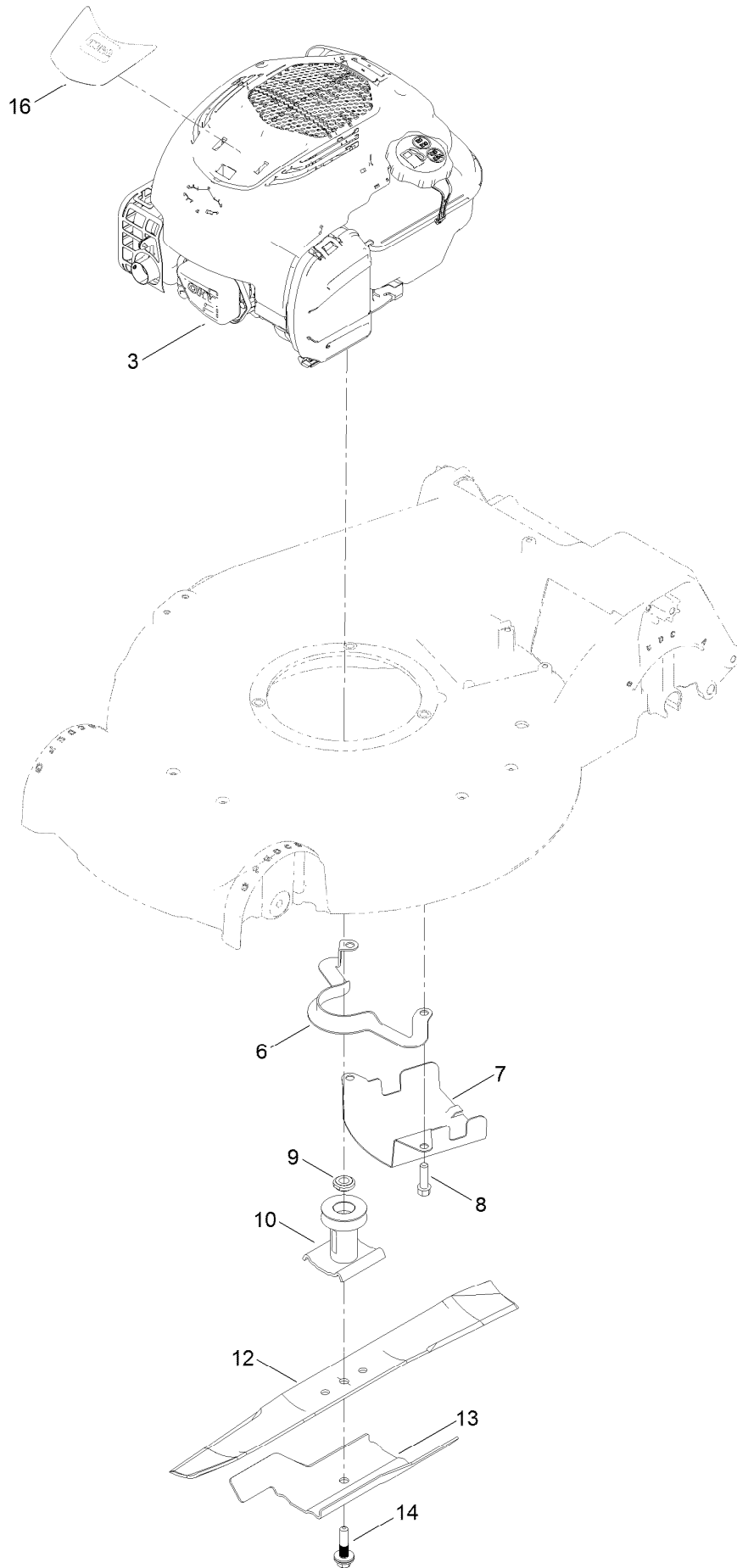
Bag Assembly



Bag Assembly (continued)

| <i>Ref.</i> | <i>Part Number</i> | <i>Qty.</i> | <i>Description</i> |
|-------------|--------------------|-------------|--------------------|
| 1 | 132-4529-03 | 1 | Bag Frame ASM |
| 2 | 114-2664 | 1 | Grass Bag ASM |

Engine and Blade Assembly



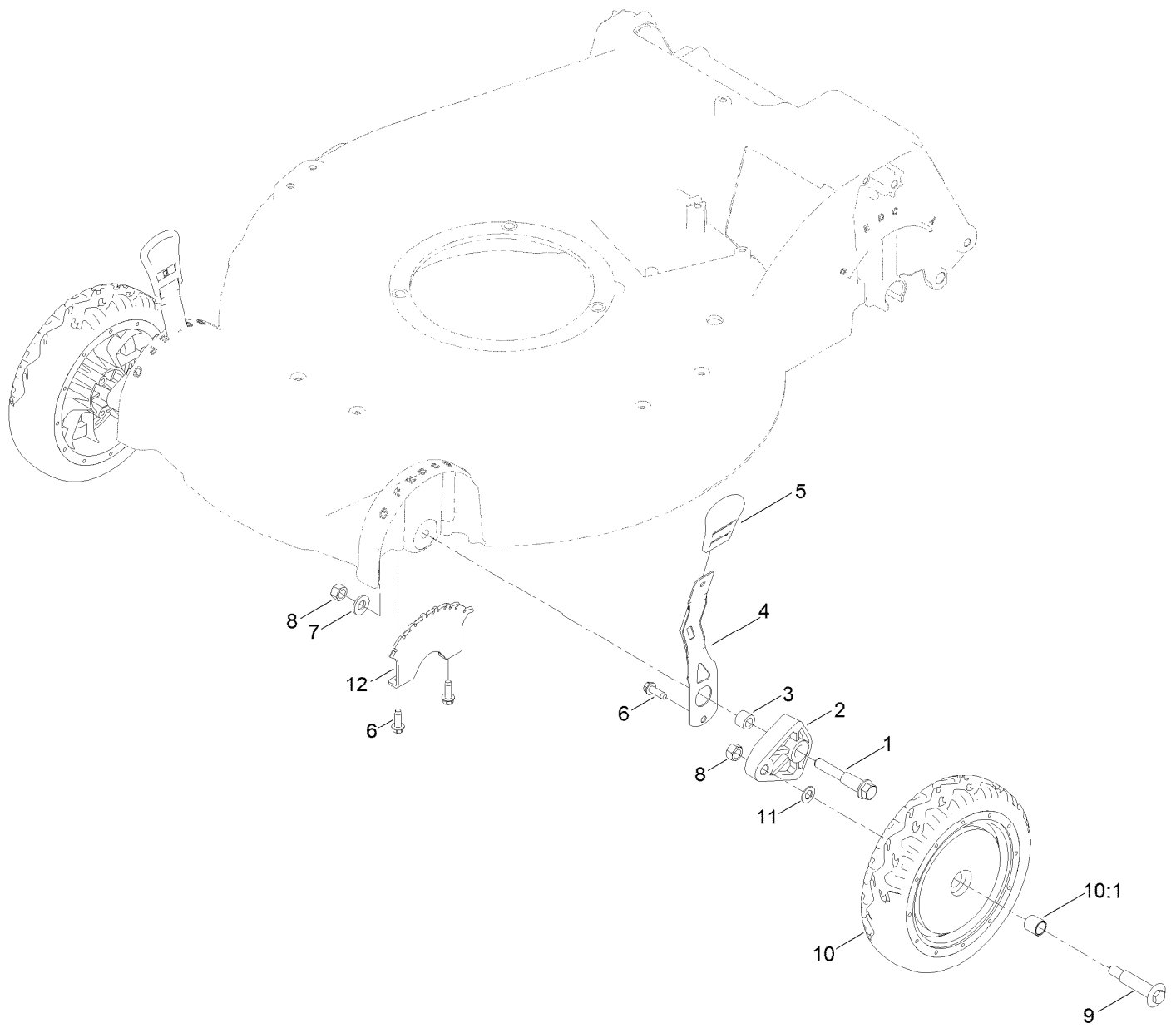
Engine and Blade Assembly (continued)

| <i>Ref.</i> | <i>Part Number</i> | <i>Qty.</i> | <i>Description</i> | <i>Ref.</i> | <i>Part Number</i> | <i>Qty.</i> | <i>Description</i> |
|-------------|--------------------|-------------|----------------------------------|-------------|--------------------|-------------|-----------------------|
| 3 | | 1 | Engine-Briggs 104M020043F1 ●■ | 10 | 106-3987 | 1 | Driver-Blade |
| 6 | 108-8110-03 | 1 | Guide-Belt | 12 | 133-8183-03 | 1 | Blade-21In, Recycling |
| 7 | 107-7489-03 | 1 | Shield-Grass | 13 | 105-6848-03 | 1 | Accelerator-Blade |
| 8 | 95-1727 | 3 | Screw-Taptite | 14 | 125-2466 | 1 | Bolt-Blade |
| 9 | 106-3999 | 1 | Spacer-Driver | 16 | 132-4472 | 1 | Decal-Shroud |

● Not serviced separately

■ Obtain parts from www.briggsandstratton.com

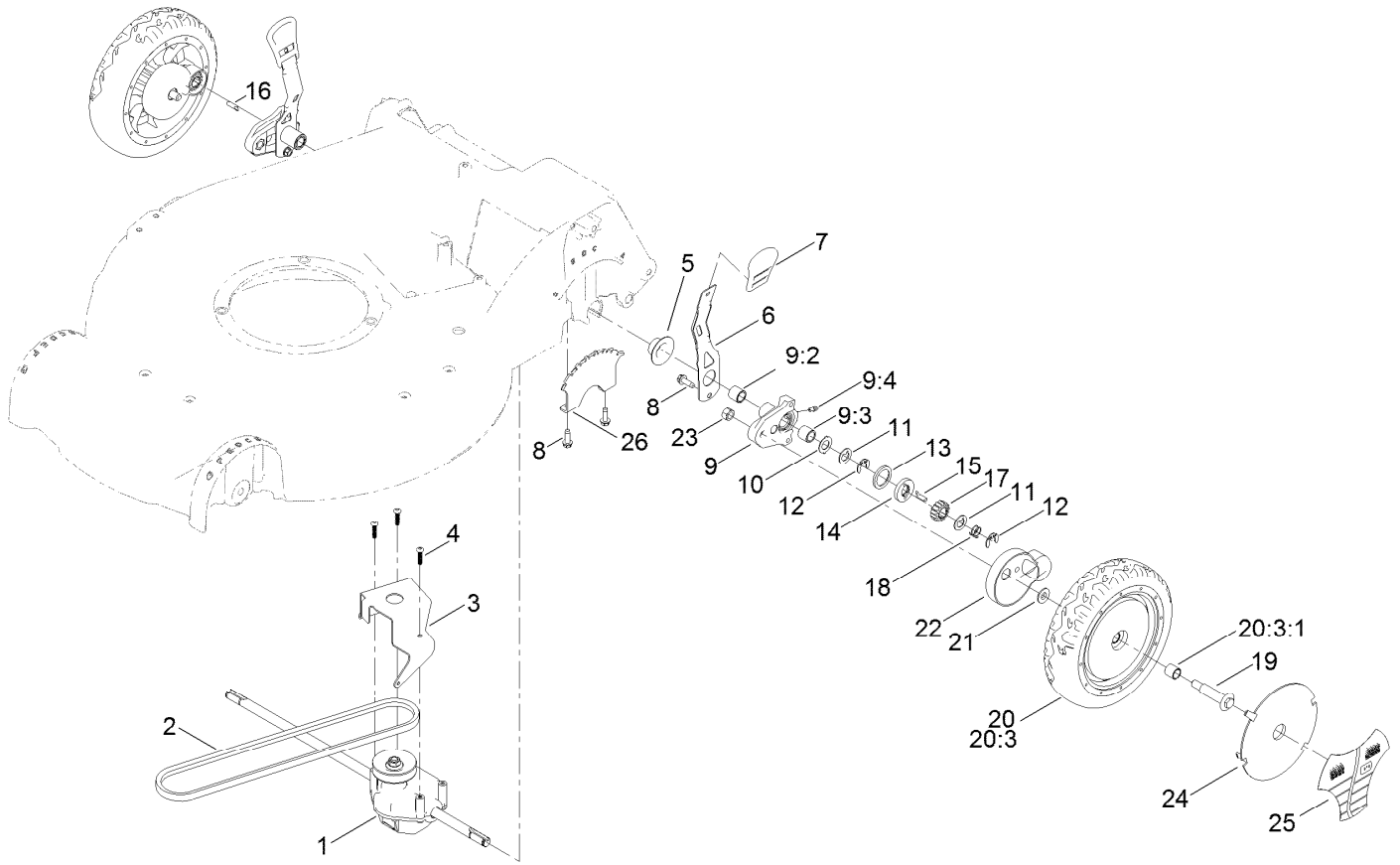
Front Wheel and Hight-of-Cut Assembly



Front Wheel and Hight-of-Cut Assembly (continued)

| <i>Ref.</i> | <i>Part Number</i> | <i>Qty.</i> | <i>Description</i> | <i>Ref.</i> | <i>Part Number</i> | <i>Qty.</i> | <i>Description</i> |
|-------------|--------------------|-------------|--------------------|-------------|--------------------|-------------|--------------------|
| 1 | 114-3467 | 2 | Screw-Shoulder | 8 | 603773 | 4 | Locknut |
| 2 | 107-7492 | 2 | Arm-Pivot | 9 | 92-1057 | 2 | Bolt-Shoulder |
| 3 | 52-2480 | 2 | Spacer-Wheel | 10 | 107-3706 | 2 | 8 Inch Wheel ASM |
| 4 | 107-7491 | 2 | Arm-Spring | 10:1 | 27-6250 | 2 | Bushing |
| 5 | 110-0549 | 2 | Knob-HOC | 11 | 40-1940 | 2 | Washer |
| 6 | 49-2040 | 6 | Screw-HWHTF | 12 | 139-1669-05 | 2 | Plate-HOC |
| 7 | 115-1166 | 2 | Washer-Flat | | | | |

Rear Wheel and Height-of-Cut Assembly

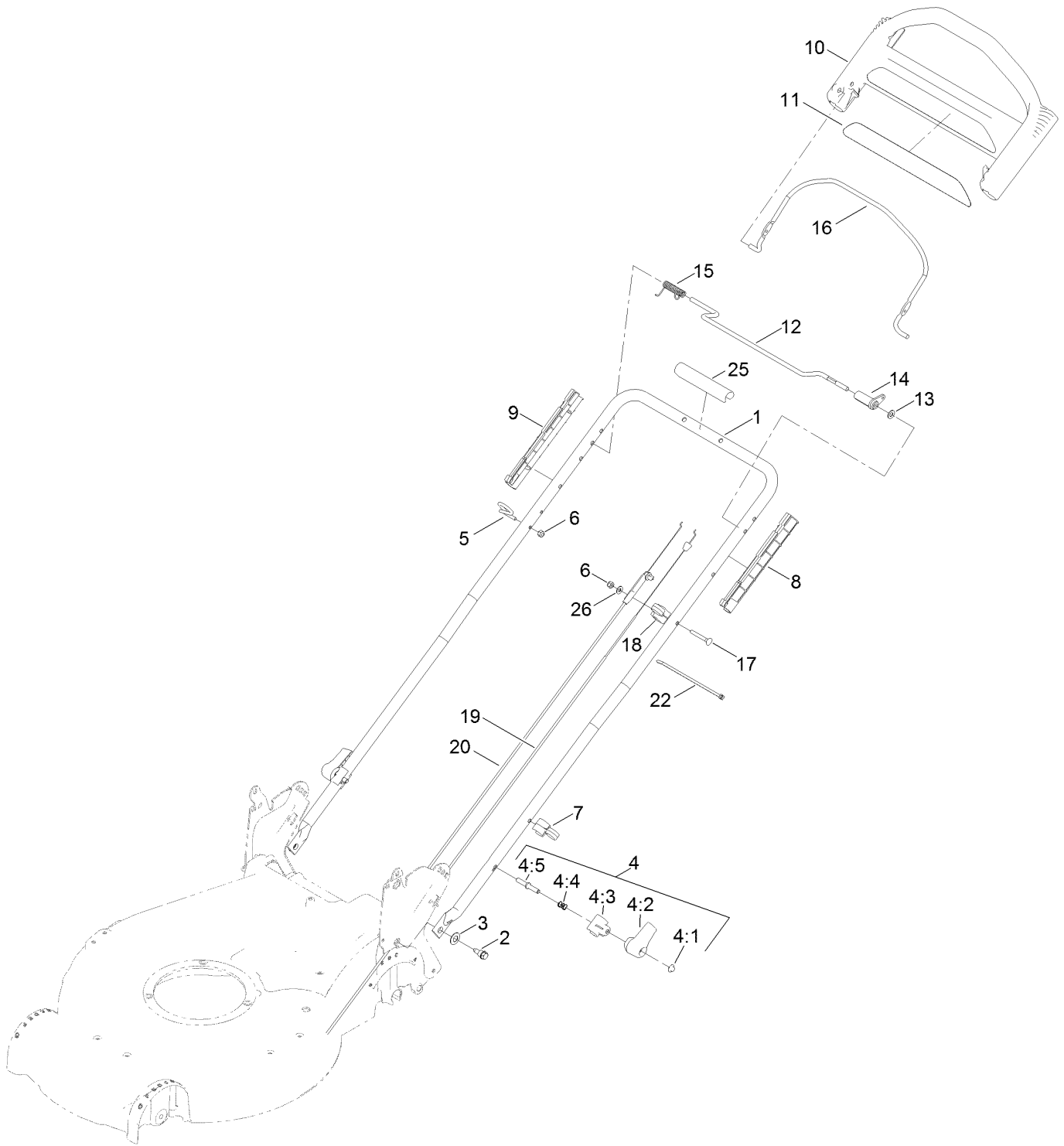


Rear Wheel and Height-of-Cut Assembly (continued)

| <i>Ref.</i> | <i>Part Number</i> | <i>Qty.</i> | <i>Description</i> | <i>Ref.</i> | <i>Part Number</i> | <i>Qty.</i> | <i>Description</i> |
|-------------|--------------------|-------------|----------------------|-------------|--------------------|-------------|------------------------------|
| 1 | 121-9184 | 1 | Transmission ASM | 14 | 65-4760 | 2 | Washer-Clutch |
| 2 | 115-4669 | 1 | Belt-V | 15 | 66-6050 | 1 | Key-Rocking, LH |
| 3 | 114-7977-03 | 1 | Bracket-Transmission | 16 | 66-6040 | 1 | Key-Rocking, RH |
| 4 | 120-9676 | 3 | Screw-Plastite | 17 | 65-4750 | 2 | Gear-Pinion |
| 5 | 138-3235 | 2 | Cap-End | 18 | 65-4720 | 2 | Spring-Compression |
| 6 | 107-7491 | 2 | Arm-Spring | 19 | 92-1057 | 2 | Bolt-Shoulder |
| 7 | 110-0549 | 2 | Knob-HOC | 20 | 107-3707 | 2 | 8 Inch Wheel And Gear ASM |
| 8 | 49-2040 | 6 | Screw-HWHTF | | | | |
| 9 | 100-8774 | 2 | Pivot Arm ASM | 20:3 | | 1 | 8 Inch Wheel ASM ● |
| 9:2 | 47-2900 | 1 | Bushing | 20:3:1 | 27-6250 | 2 | Bushing |
| 9:3 | 70-9760 | 1 | Bushing | 21 | 74-1671 | 2 | Spacer-Cover, Wheel |
| 9:4 | 302-56 | 1 | Fitting-Grease | 22 | 74-1660 | 2 | Cover-Wheel |
| 10 | 65-4730 | 2 | Washer-Arm, Pivot | 23 | 603773 | 2 | Locknut |
| 11 | 65-4740 | 4 | Washer-Thrust, Keyed | 24 | 100-6351 | 1 | Cover-Wheel |
| 12 | 65-2720 | 4 | Ring-Retaining, Clip | 25 | 100-1519 | 1 | Label-Wheel, Smart |
| 13 | 65-4710 | 2 | Ring-Friction | 26 | 139-1669-05 | 2 | Plate-HOC |

● Not serviced separately

Handle Assembly



Handle Assembly (continued)

| <i>Ref.</i> | <i>Part Number</i> | <i>Qty.</i> | <i>Description</i> | <i>Ref.</i> | <i>Part Number</i> | <i>Qty.</i> | <i>Description</i> |
|-------------|--------------------|-------------|------------------------|-------------|--------------------|-------------|-----------------------|
| 1 | 132-4460-05 | 1 | Handle | 10 | 104-8678 | 1 | Handle-Control |
| 2 | 139-1691 | 2 | Bolt-Shoulder | 11 | 120-3911 | 1 | Decal-Handle |
| 3 | 112-9972 | 2 | Washer-Spring, Conical | 12 | 136-7150 | 1 | Bar-Control, Traction |
| 4 | 115-2860 | 2 | Quick Release ASM | 13 | 120-9683 | 1 | Washer-Plain |
| 4:1 | 32112-11 | 1 | Nut-Push | 14 | 99-1589 | 1 | Lever-Traction |
| 4:2 | 138-3248 | 1 | Lever-Release | 15 | 136-7166 | 1 | Spring-Torsion |
| 4:3 | 138-3253 | 1 | Anchor-Spring | 16 | 131-0880-03 | 1 | Bail-Brake |
| 4:4 | 115-2858 | 1 | Spring-Compression | 17 | 137-3109 | 1 | Bolt-CARR |
| 4:5 | 138-3243 | 1 | Rod-Release | 18 | 136-5864 | 1 | Anchor-Cable |
| 5 | 86-9671 | 1 | Guide-Rope | 19 | 108-8158 | 1 | Cable-Traction |
| 6 | 137-3094 | 2 | Nut-Hex | 20 | 117-5900 | 1 | Cable-Brake |
| 7 | 114-7988 | 1 | Guide-Cable | 22 | 614249 | 3 | Tie-Cable |
| 8 | 105-6842 | 1 | Guide-LH | 25 | 131-4551 | 1 | Handle-Cover |
| 9 | 105-6841 | 1 | Guide-RH | 26 | 139-1699 | 1 | Washer-Flat |

Attachments and Accessories

For 21690 53cm Super Recycler Lawn Mower

| Product Name | Model/Part |
|--|-------------------|
| All Season Synthetic Oil (10W30, QT) | 117-0066 |
| 4-Cycle Fuel, Snow And Lawn 32oz Can | 131-3823 |
| Traction Assist Handle Kit..... | 131-4590 |
| Toro Premium Fuel Treatment 12 Oz Bottle | 131-6572 |
| Toro 4-Cycle SAE 30 Oil (32oz Bottle) | 38903 |
| Summer Oil-Case of 24 (20oz Bottles)..... | 38916 |
| Bag-Walk Behind (Toro)..... | 490-7318 |
| Lawnmower Cover..... | 490-7462 |

Notes:

Notes:

Notes:



Count on it.