



Count on it.

Parts Catalog

Pro Force® Debris Blower

Model No. 44553—Serial No. 403421001 and Up



Ordering Replacement Parts

To order replacement parts, please supply the part number, the quantity, and the description of each part desired.

Understanding Reference Numbers

Each identified part in an illustration has a reference number. The reference number for a part also appears in the parts list, along with other information about the part.

This catalog uses two special reference number formats, one to indicate parts in a service assembly and another to indicate the quantity of a given part in an illustration.

Service Assembly Reference Numbers

Parts in service assemblies have reference numbers in the form a:b. The a represents the reference number of the entire service assembly and the b represents a sequential number unique to each part within the service assembly.

For example, a wheel assembly might be identified by reference number 6, the tire by 6:1, the valve by 6:2, and the wheel by 6:3. When you order the assembly identified by reference number 6, you receive all parts identified by reference numbers 6:1, 6:2, and 6:3. However, you may also order any part individually. Reference numbers of this type appear in illustration and in parts lists.

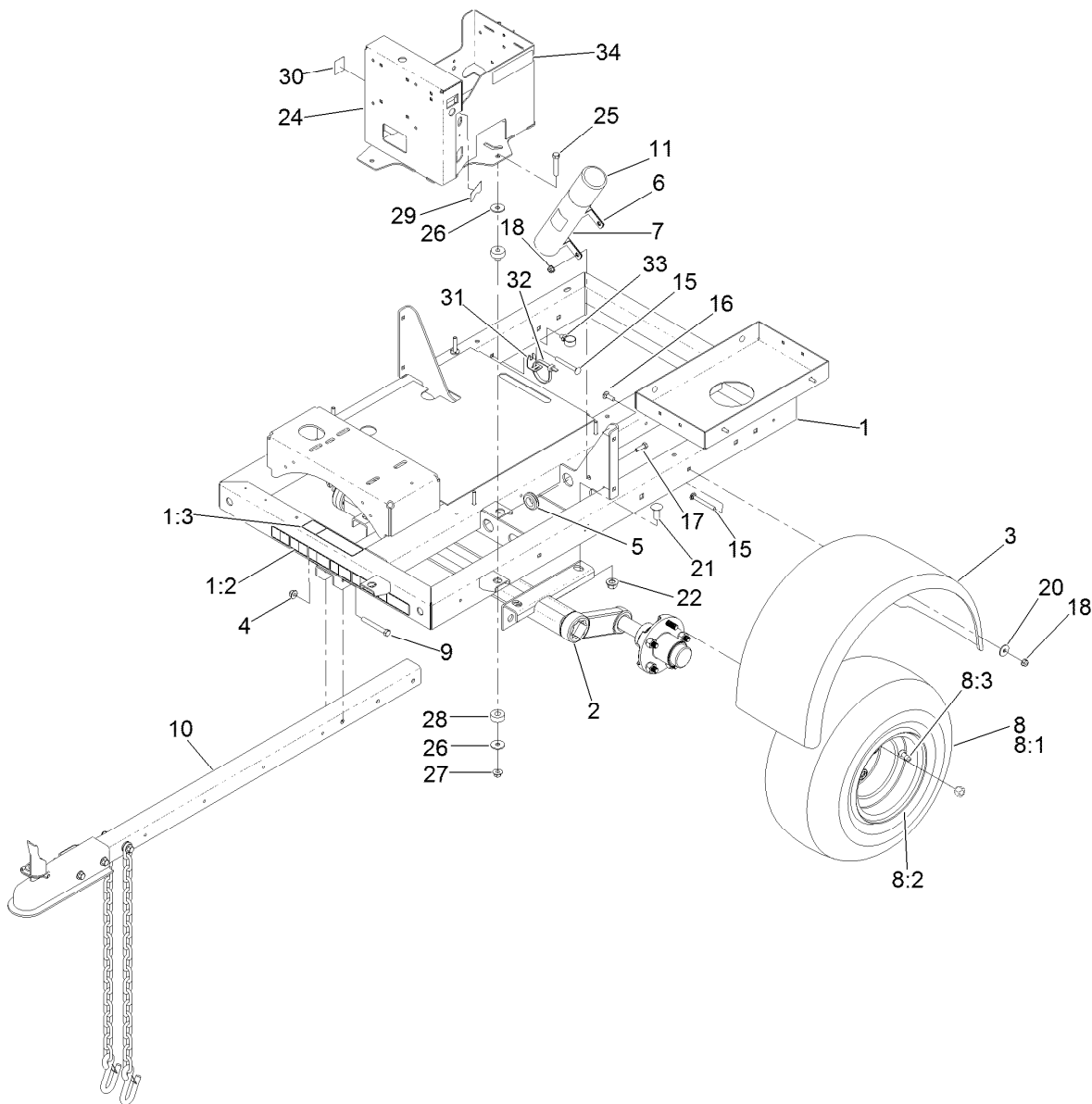
Reference Numbers Indicating Quantity

In an illustration, if a reference number indicates more than one part, the reference number has the form nX y. The n represents the quantity of the part, the X is the multiplication symbol, and the y represents the reference number.

For example, in an illustration, the reference number 2X 37 means that two of the parts identified by reference number 37 are indicated.

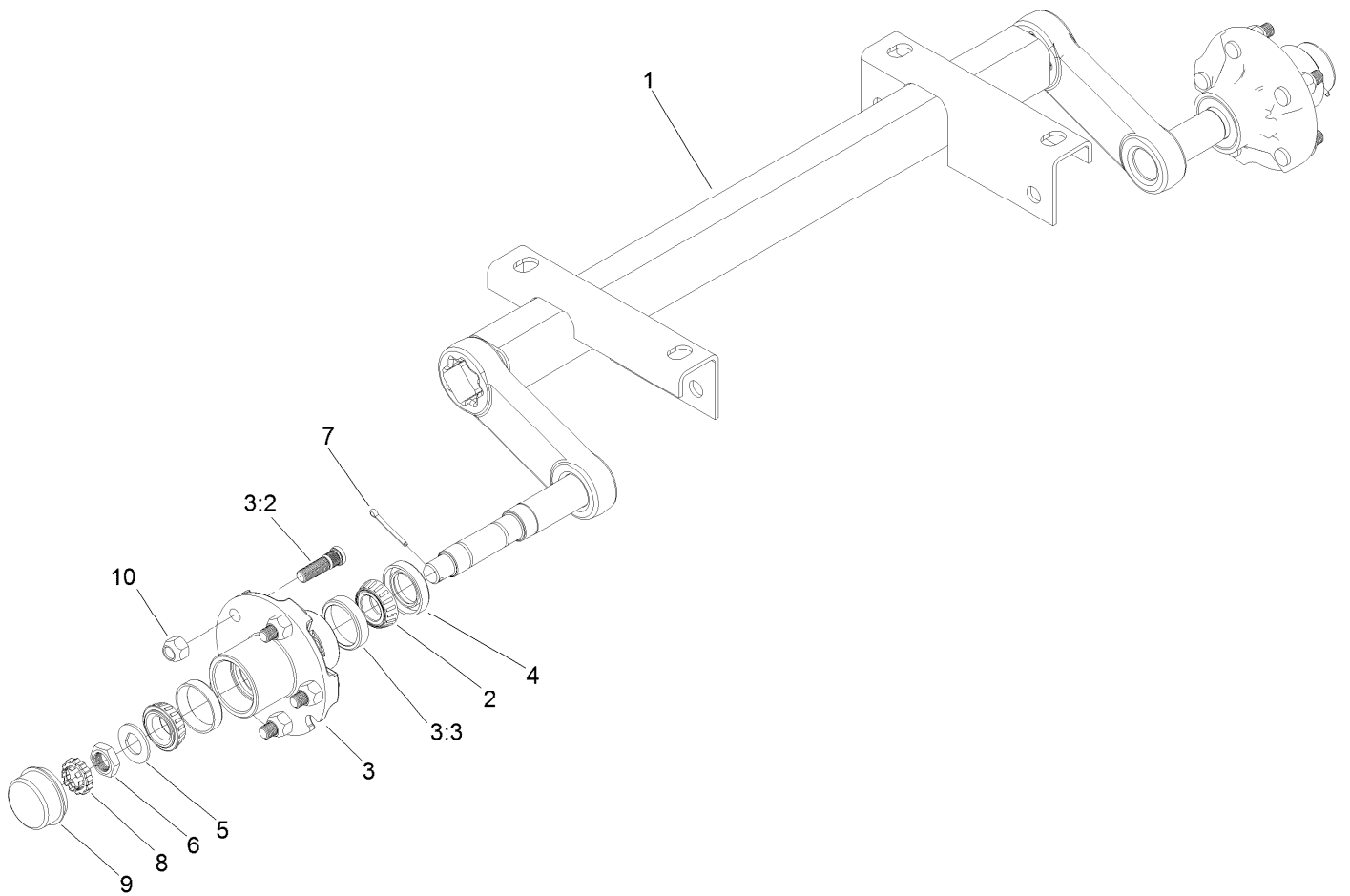
Contents

Frame Assembly.....	4
Axle Assembly No. 119-2966.....	5
Hitch Assembly No. 119-3005.....	6
Turbine Mounting Assembly.....	7
Turbine Assembly No. 125-4260.....	8
Nozzle Drive Assembly.....	9
Battery and Drive Shaft Assembly.....	10
Engine, Muffler and Fuel Tank Assembly.....	11
Fuel Tank Assembly No. 115-9048.....	12
Fuel Delivery Assembly.....	13
Electrical System Assembly.....	14
Tail Light Assembly.....	15



Frame Assembly

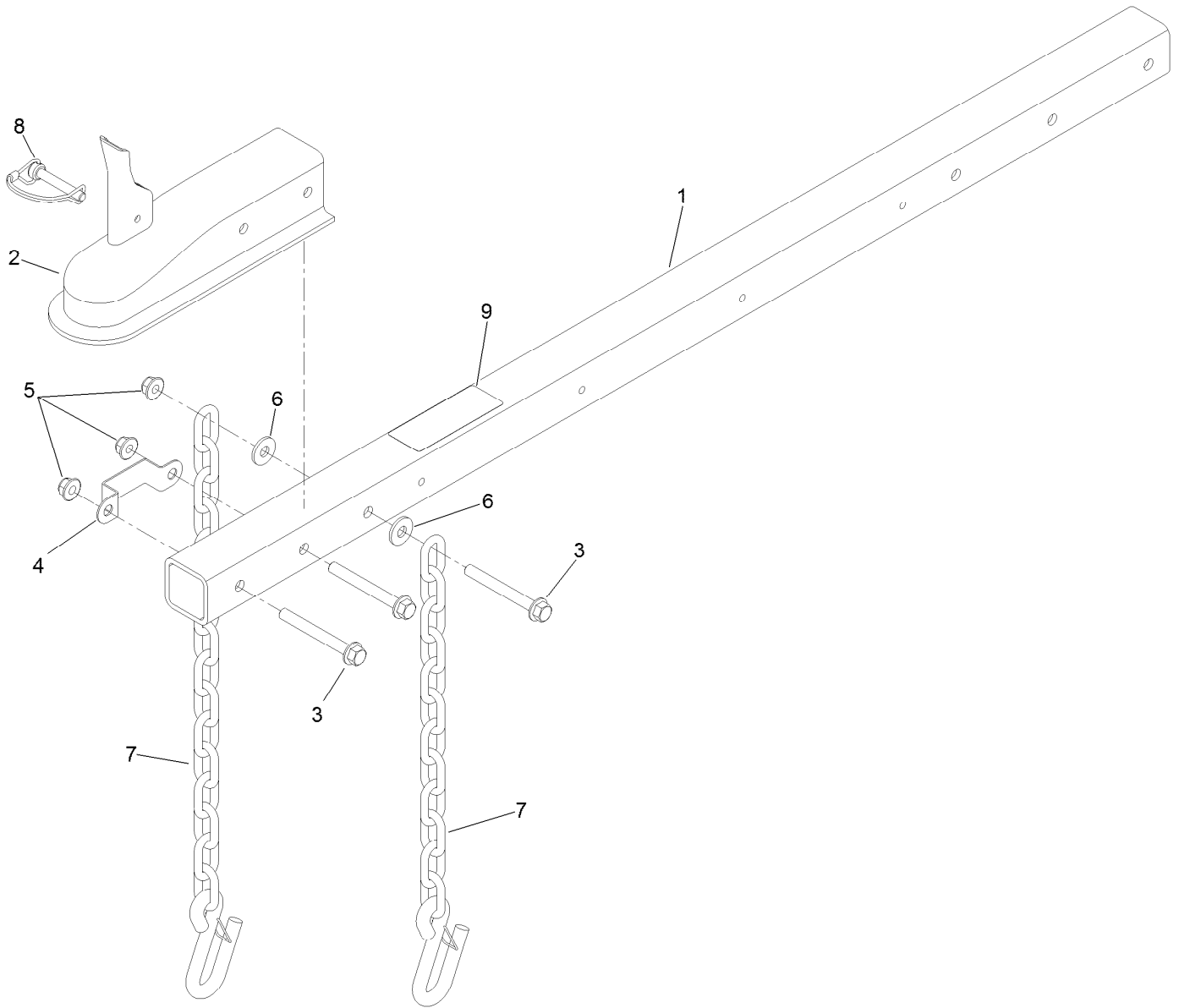
Ref.	Part Number	Qty.	Description	Ref.	Part Number	Qty.	Description
1	130-8510	1	Frame ASM	16	3230-2	4	Bolt-CARR
1:2	115-5105	1	Decal-Warning	17	322-5	2	Screw-HH
1:3	115-5113	1	Decal-Protection, Eye And Ear	18	104-8300	10	Nut-HF, NI
2	119-2966	1	Axle ASM	20	3256-82	8	Washer-Flat
3	112-6852	2	Fender	21	3233-26	4	Screw-CARR, Short Neck
4	104-8301	2	Nut-HF, NI	22	99-5107	4	Nut-Lock
5	1-543286	2	Grommet	24	125-6055-01	1	Tower-Control, Wa
6	2412-133	2	Clamp-R	25	323-10	3	Screw-HH
7	104-7050	1	Tube-Manual	26	93-8806	6	Washer-Hardened
8	119-3013	2	Wheel And Tire ASM	27	32128-19	3	Nut-HF
8:1	119-3009	1	Tire	28	121-2870	3	Mount-2 Piece
8:2	119-3010	1	Rim	29	119-6165	1	Decal-Ignition
8:3	232-27	1	Stem-Valve	30	131-6766	1	Decal-Fuses
9	323-14	2	Screw-HH	31	131-6703	1	Bracket-Hold Down, Electrical
10	119-3005	1	Hitch ASM	32	3334-945	1	Tie-Cable
11	104-7048	1	Cap-Housing	33	32180-030	1	Clip-Tie
15	3230-9	4	Screw-CARR	34	133-8062	1	Decal-Arrestor, Spark



Axle Assembly No. 119-2966

Ref.	Part Number	Qty.	Description
1		1	Axle-Torsion ●
2	254-94	4	Bearing-Cone, Tapered
3	119-3016	1	Hub ASM
3:2	114-3918	5	Stud-Wheel
3:3	254-72	2	Bearing-Cup, Tapered
4	112-1690	2	Seal-Oil
5	117-8259	2	Washer-Spindle
6	117-8260	2	Nut
7	3272-18	2	Pin-Cotter
8	93-0307	2	Nut-Lock, Retainer
9	241-119	2	Cap-Dust
10	242-50	10	Nut-Lug

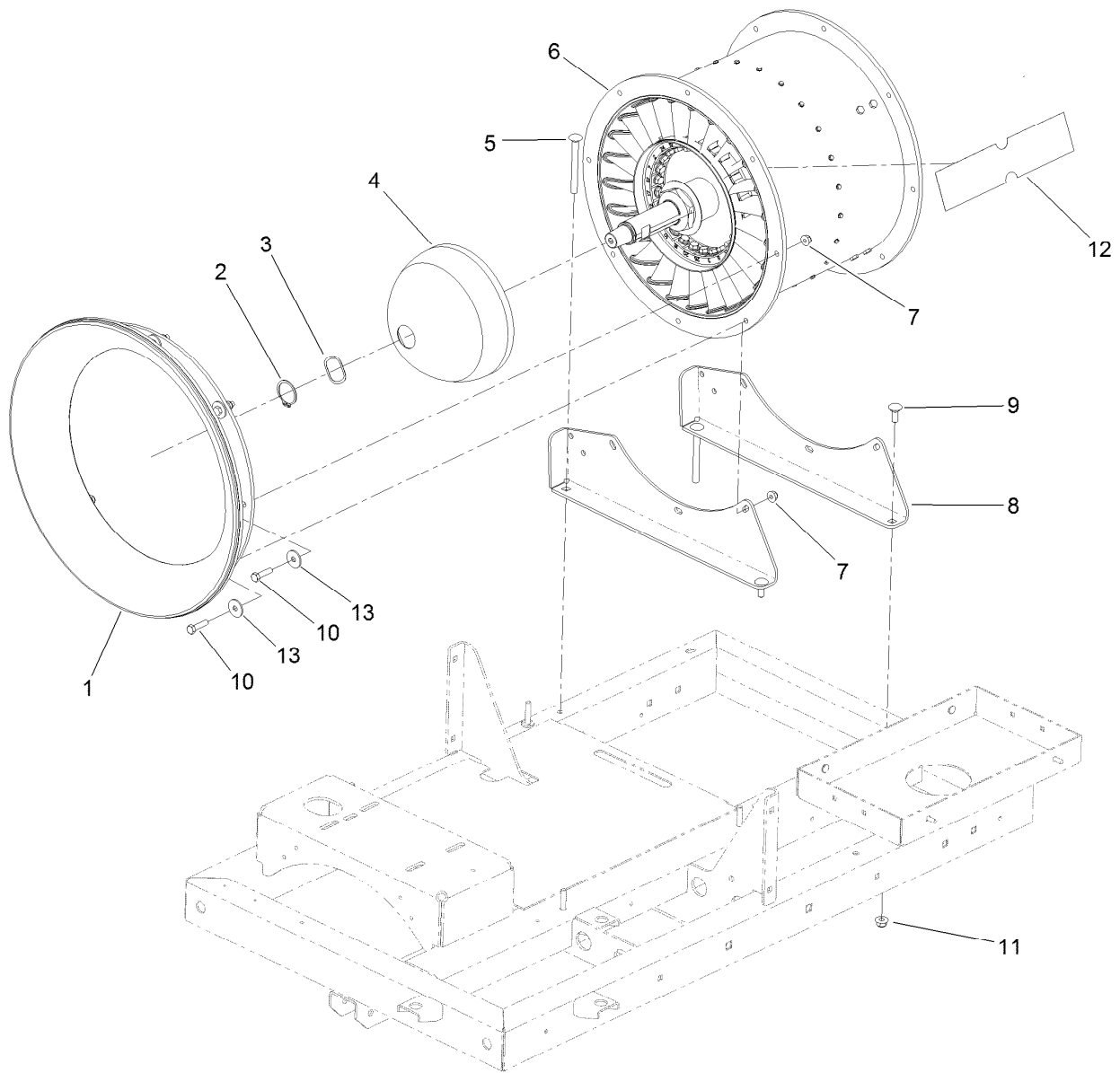
● Not serviced separately



Hitch Assembly No. 119-3005

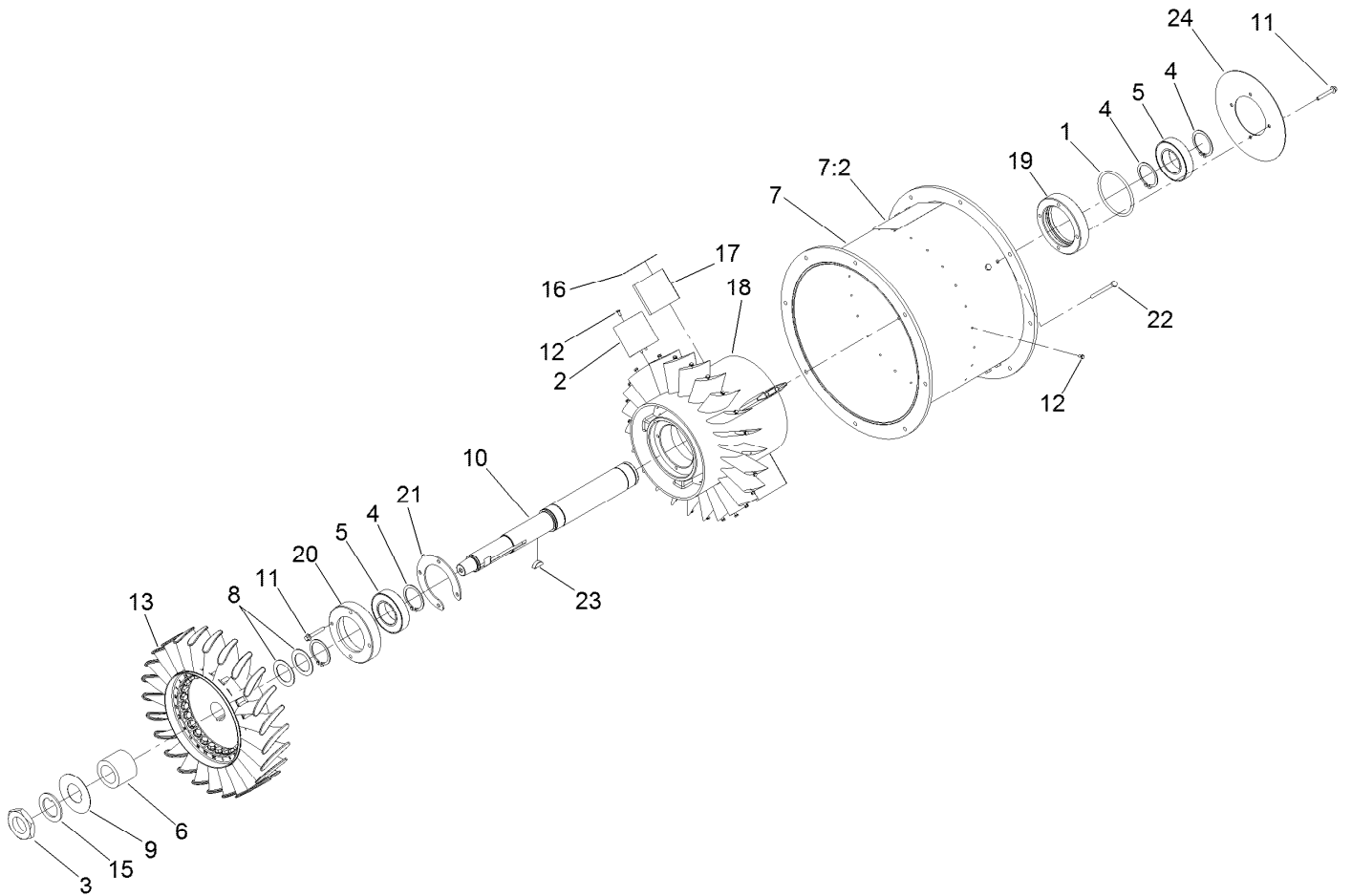
Ref.	Part Number	Qty.	Description
1		1	Tube-Hitch ●
2	117-8371	1	Receiver-Hitch, Ball
3	3234-41	3	Screw-HHF
4	119-3006	1	Hook-Light
5	104-8301	3	Nut-HF, NI
6	80-6990	2	Washer-Hardened
7	119-3045	2	Chain-Safety, Trailer
8	105-9245	1	Pin-Lock
9	119-6162	1	Decal-Tire

● Not serviced separately



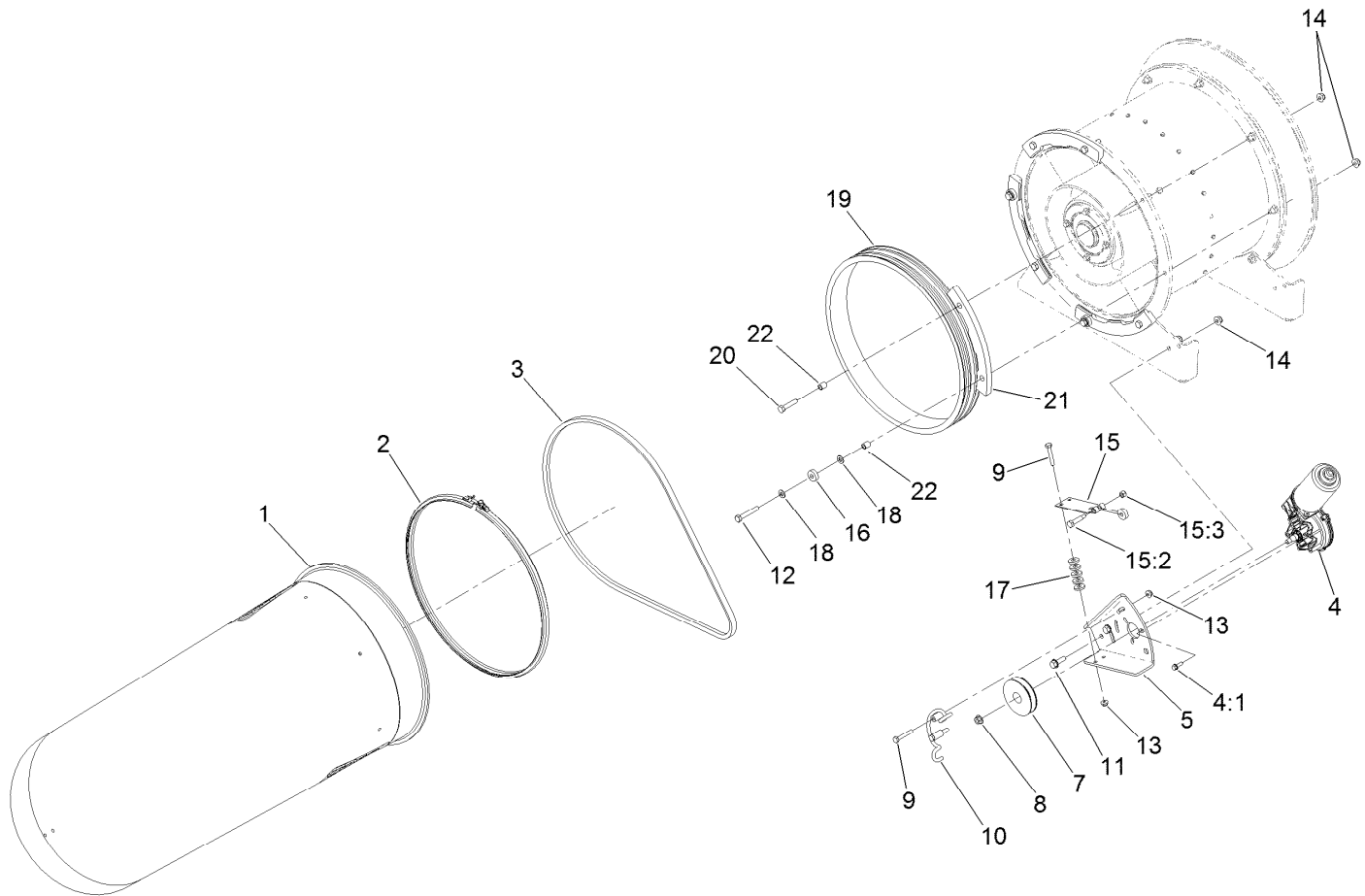
Turbine Mounting Assembly

Ref.	Part Number	Qty.	Description
1	117-8329	1	Bell-Inlet
2	112-1952	1	Ring-Snap, EXT
3	93-4632	1	Washer-Wavey
4	131-9440	1	Cap-Front
5	3231-24	2	Screw-CARR
6	125-4260	1	Turbine ASM
7	104-8300	8	Nut-HF, NI
8	112-6851-01	2	Mount-Fan
9	3231-22	2	Screw-CARR
10	322-6	8	Screw-HH
11	104-8301	4	Nut-HF, NI
12	115-5102	2	Decal
13	5-4460	8	Washer-Pivot



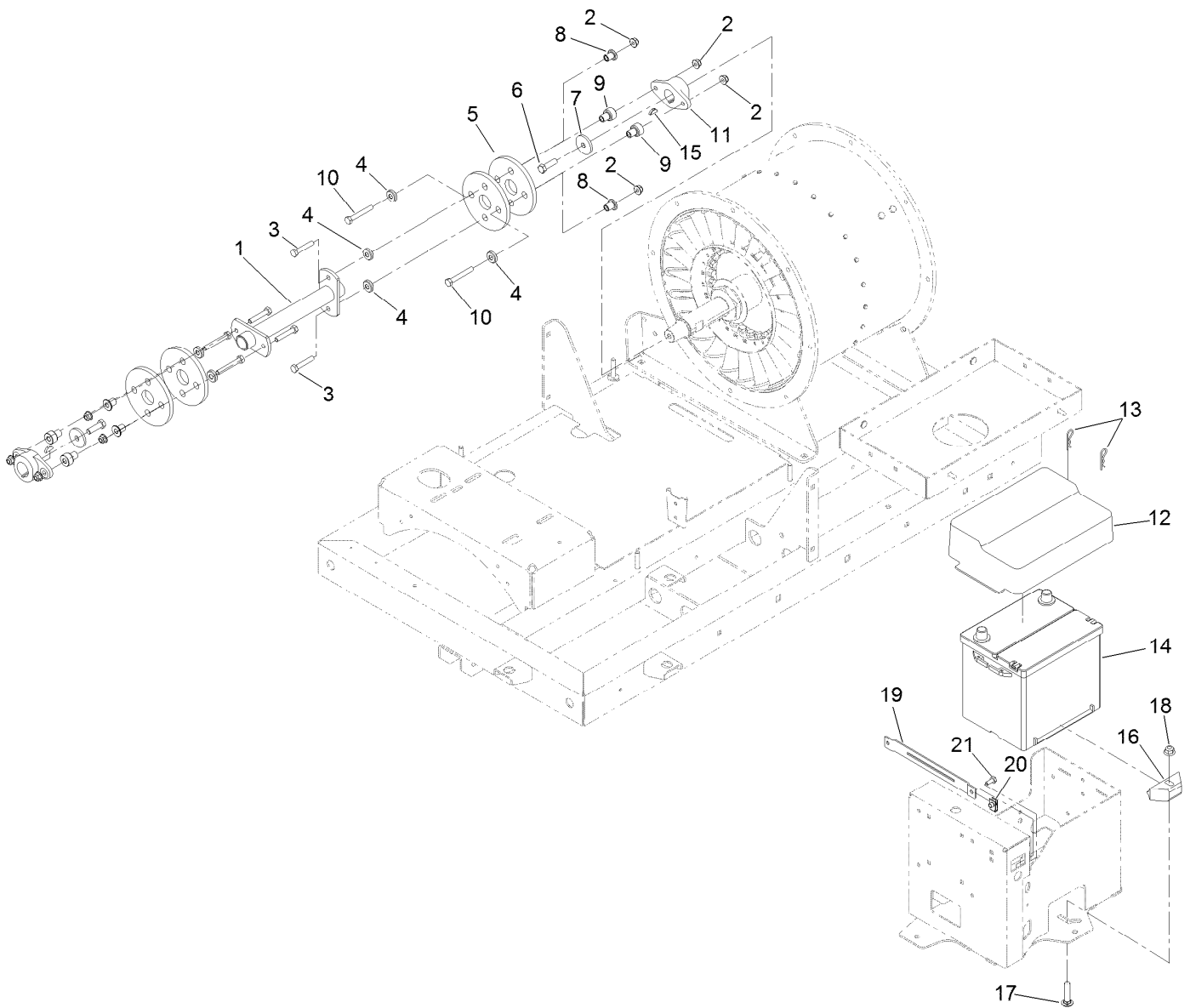
Turbine Assembly No. 125-4260

<i>Ref.</i>	<i>Part Number</i>	<i>Qty.</i>	<i>Description</i>	<i>Ref.</i>	<i>Part Number</i>	<i>Qty.</i>	<i>Description</i>
1	92-9533	1	O-Ring	12	117-8303	24	Screw-HHF
2	112-1871	24	Vane-Stator	13	117-8356	1	Rotor
3	112-1899	1	Nut	15	119-6202	1	Washer-Tab
4	112-1951	4	Ring-Snap, EXT	16	119-6207	2	Spacer-Fin
5	112-6764	2	Bearing-Ball	17	119-6444	4	Mount-Fin
6	114-2164	1	Spacer	18	120-5920	1	Inner Housing
7	115-5128	1	Housing ASM	19	120-6042	1	End-Oring
7:2	115-5106	2	Decal-Danger	20	120-6061	1	Bearing-Cap
8	115-5131	2	Washer	21	120-6063	1	End-Cap
9	115-9005	1	Washer-Tab	22	321-19	8	Screw-HH
10	115-9075	1	Shaft-Fan	23	3257-42	1	Key-Woodruff
11	125-4287	8	Screw-HHF	24	130-0871-03	1	Plate-Center



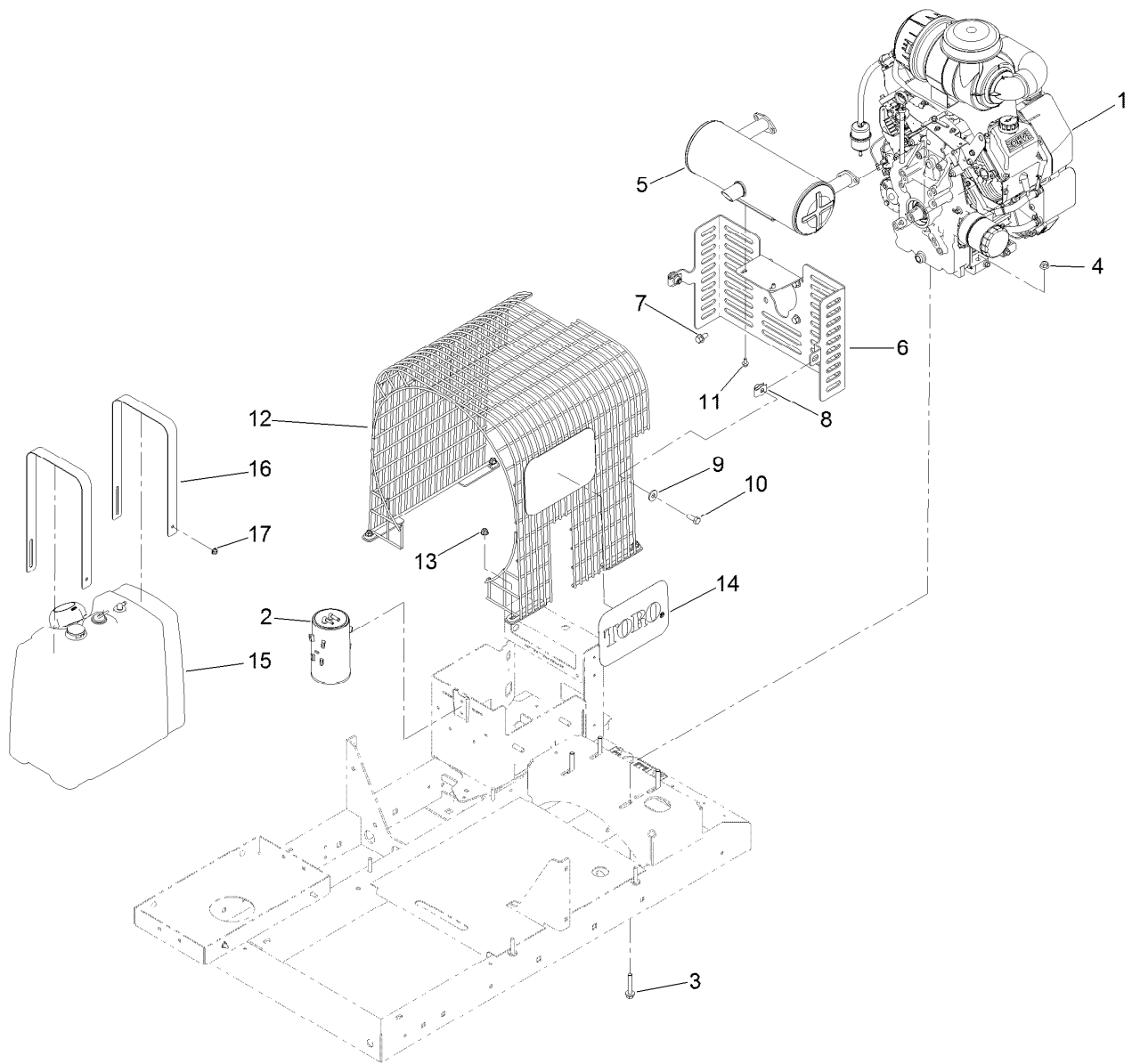
Nozzle Drive Assembly

Ref.	Part Number	Qty.	Description	Ref.	Part Number	Qty.	Description
1	119-6287	1	Nozzle	13	104-7201	4	Nut-HF
2	112-6899	1	Clamp-Nozzle	14	104-8300	10	Nut-HF, NI
3	112-1853	1	Belt-V	15	110-9650	1	Leaf Spring ASM
4	130-8551	1	Motor-Reversible	15:2	36-2250	1	Bolt-Shoulder
4:1	114-8414	3	Screw-HHF	15:3	3296-42	1	Nut-Lock, NI
5	115-5149-01	1	Bracket-Motor	16	251-259	3	Bearing-Ball
7	115-5147	1	Pulley	17	88-7200	10	Washer-Flat
8	98-0668	1	Nut	18	3256-74	4	Washer-Flat
9	321-37	4	Screw-HH	19	112-1874	1	Pulley-Nozzle
10	112-6924	1	Guard-Belt, Drive	20	322-7	6	Screw-HH
11	3234-29	2	Screw-HHF	21	114-9868	4	Guide-Nozzle
12	322-10	2	Screw-HH	22	93-6859	8	Spacer



Battery and Drive Shaft Assembly

<i>Ref.</i>	<i>Part Number</i>	<i>Qty.</i>	<i>Description</i>	<i>Ref.</i>	<i>Part Number</i>	<i>Qty.</i>	<i>Description</i>
1	115-5124-03	1	Shaft-Drive	12	130-8569	1	Cover-Battery
2	104-8300	8	Nut-HF, NI	13	3290-467	2	Pin-Hair
3	322-39	4	Screw-HH	14	106-5187	1	Battery-Dry
4	131-6761	8	Washer	15	3257-5	2	Key-Woodruff
5	115-5129	4	Coupling-Rubber	16	138-6335	1	Retainer-Battery
6	323-7	2	Screw-HH	17	3231-5	1	Screw-CARR
7	114-2120	2	Washer	18	104-8301	1	Nut-HF, NI
8	131-6763	4	Spacer-Coupling, Rubber	19	130-0932-01	1	Bracket-Cover
9	131-6762	4	Spacer-Coupling, Rubber	20	107069	2	Clip
10	322-32	4	Screw-HH	21	321-4	2	Screw-HH
11	114-2122	2	Hub-Engine				

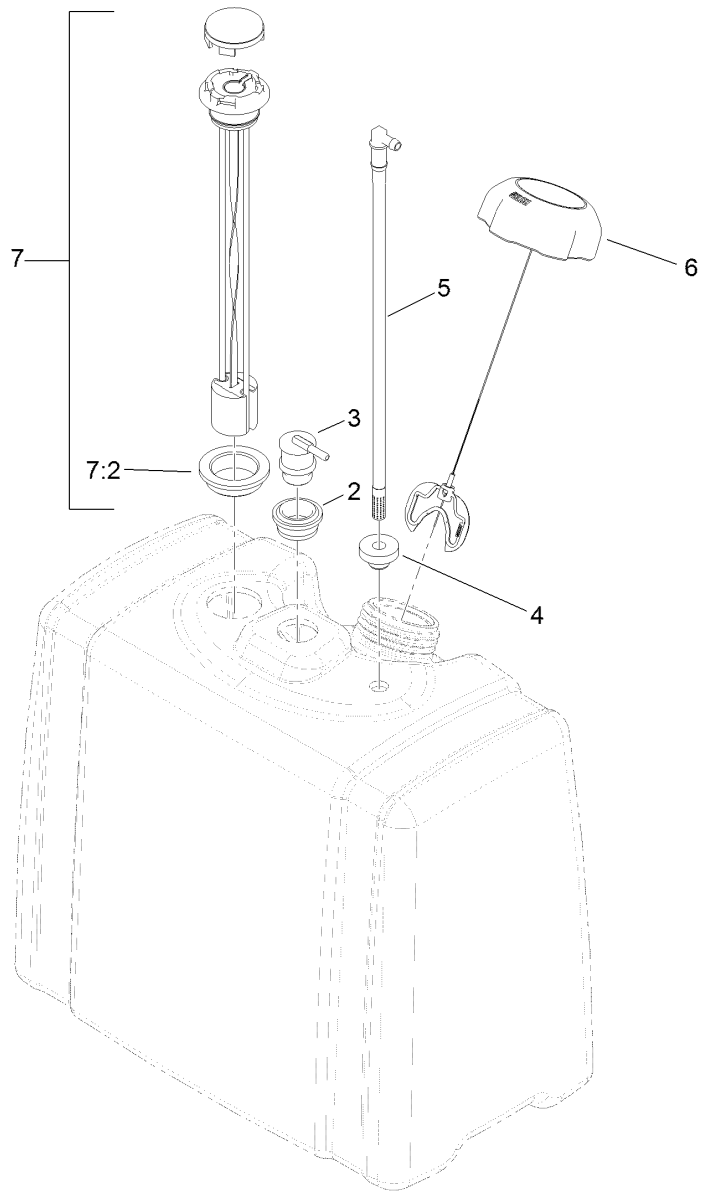


Engine, Muffler and Fuel Tank Assembly

Ref.	Part Number	Qty.	Description	Ref.	Part Number	Qty.	Description
1		1	Engine-Kohler, Ch740-3331 ● ■	9	80-6990	2	Washer-Hardened
2	127-8685	1	Canister-Carbon	10	323-6	2	Screw-HH
3	66-9302	4	Screw-HHF, Whiz	11	33103-012	2	Screw-HHF
4	104-8301	4	Nut-HF, NI	12	112-6876	1	Grill-Top
5	112-6862	1	Muffler	13	104-8300	4	Nut-HF, NI
6	119-6171-03	1	Mount-Muffler	14	92-1242	2	Decal
7	110-1718	4	Screw-HHF	15	115-9048	1	Fuel Tank ASM
8	105-4886	2	Nut-Tinnerman	16	119-6285	2	Strap-Hold Down, Tank
				17	104-7201	4	Nut-HF

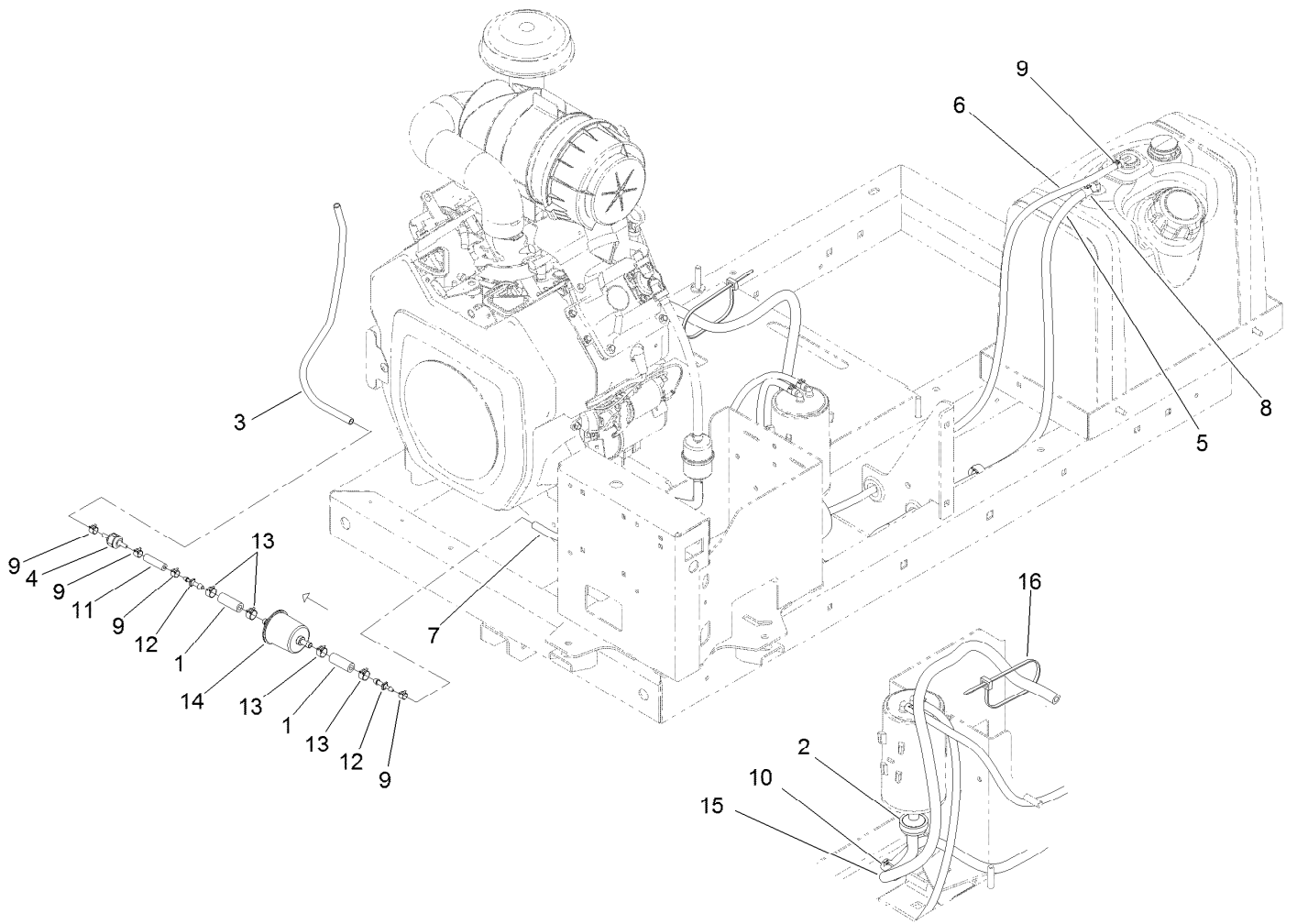
● Not serviced separately

■ Obtain parts from www.kohlerplus.com



Fuel Tank Assembly No. 115-9048

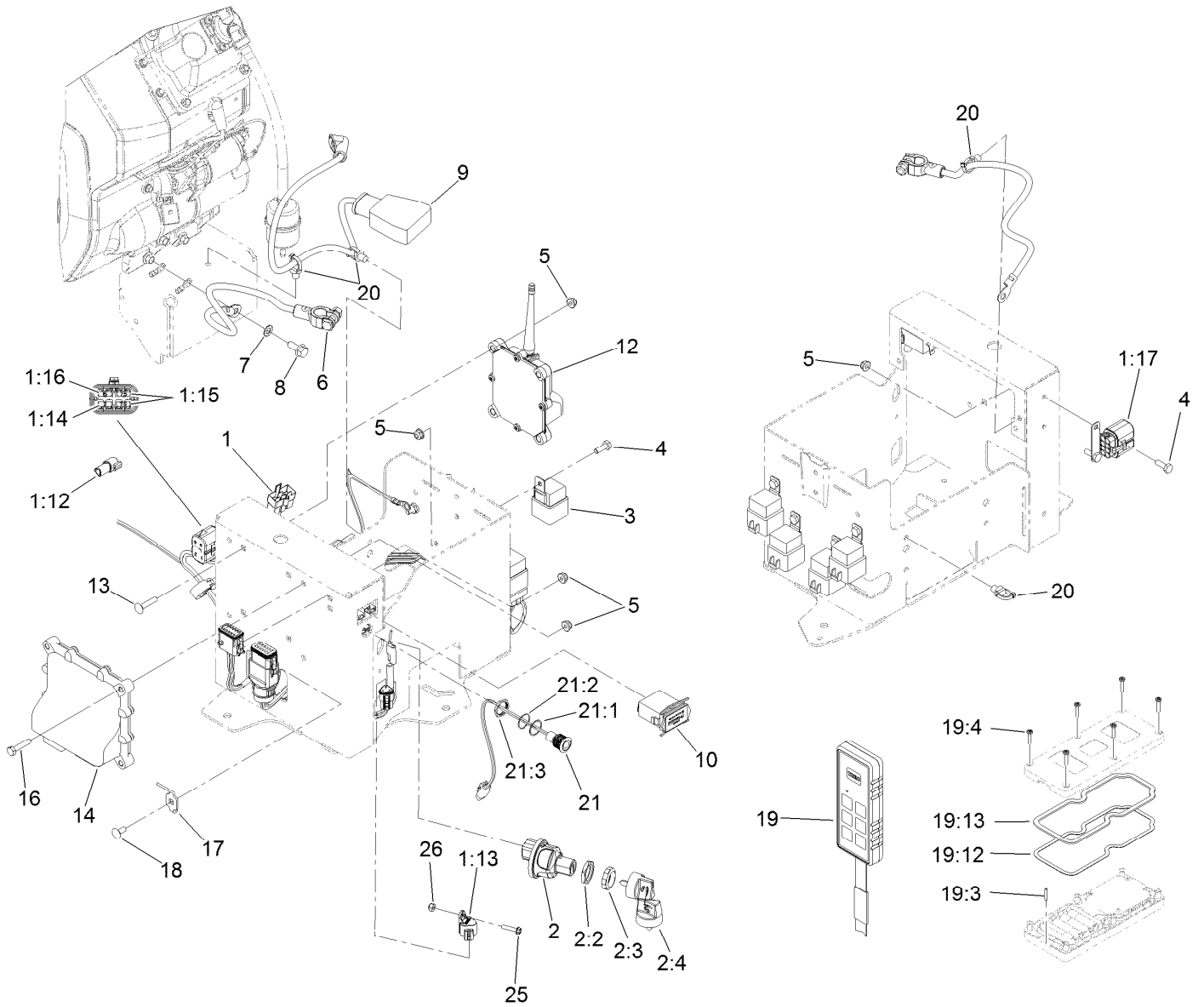
<i>Ref.</i>	<i>Part Number</i>	<i>Qty.</i>	<i>Description</i>
2	114-0284	1	Grommet
3	114-0285	1	Valve-Rollover
4	46-6560	1	Bushing
5	115-9044	1	Pipe-Stand
6	137-4127	1	Cap-Fuel
7	119-0509	1	Gauge ASM
7:2	119-0508	1	Seal



Fuel Delivery Assembly

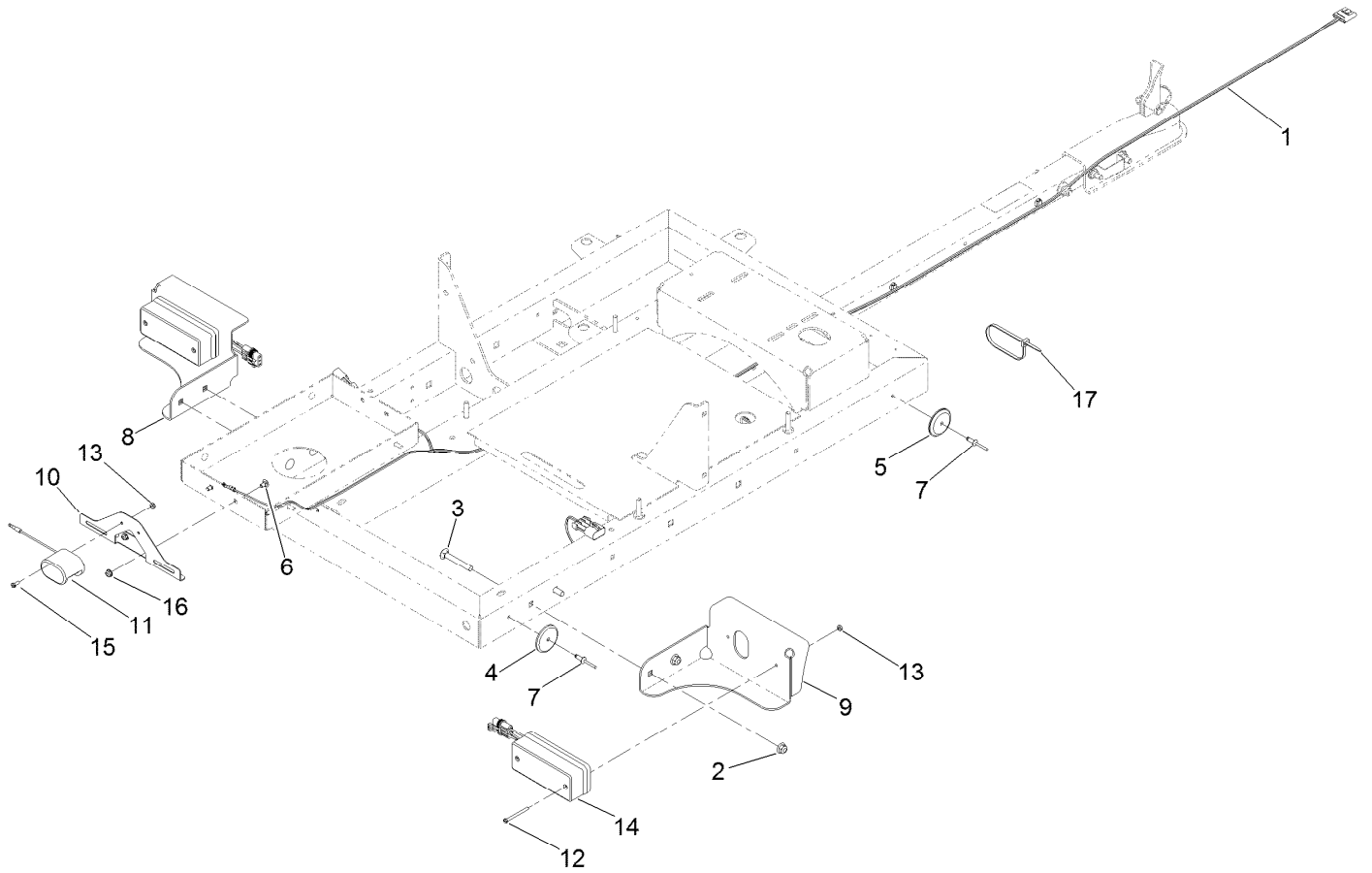
<i>Ref.</i>	<i>Part Number</i>	<i>Qty.</i>	<i>Description</i>
1	106-5317	3	Hose-Fuel
2	115-7854	1	Filter-Fuel, Inline
3	119-8150	1	Hose-Fuel
4	133-8499	1	Valve-Check, Vacuum
5	107-9298	1	Hose-Fuel
6	119-6073	1	Hose-Fuel
7	110-3254	1	Hose-Fuel
8	2412-98	2	Clamp-Hose

<i>Ref.</i>	<i>Part Number</i>	<i>Qty.</i>	<i>Description</i>
9	2412-80	5	Clamp-Hose
10	32180-030	6	Clip-Tie
11	119-8561	1	Hose-Fuel
12	106-8150	2	Fitting-Straight
13	92-2379	4	Clamp-Hose
14	120-2235	1	Filter-Fuel
15	110-4109	1	Hose-Fuel
16	3290-378	1	Tie-Cable



Electrical System Assembly

Ref.	Part Number	Qty.	Description	Ref.	Part Number	Qty.	Description
1	122-1505	1	Harness-Wire	12	132-9600	1	Controller
1:12	32180-043	2	Resistor-120 Ohm	13	3229-3	4	Screw-CARR
1:13	32180-089	1	Cap-Plug, 3 Way	14	125-1360	1	Controller
1:14	121-8861	1	Fuse-Mini Blade, 2 Amp	16	321-8	4	Screw-HH
1:15	121-8865	2	Fuse-Mini Blade, 7.5 Amp	17	121-2761	1	Mount-Transmitter
1:16	121-8867	1	Fuse-Mini Blade, 15 Amp	18	3229-11	1	Screw-CARR
1:17	32180-179	1	Cover-Bussman	19	125-1270	1	Remote ASM
2	121-5159	1	Ignition Switch ASM	19:3	121-2906	1	Pin-Lanyard
2:2	121-5160	1	Nut-Hex	19:4	121-2908	6	Screw-PPH
2:3	121-5161	1	Nut-Face	19:12	125-1294	1	Backer-Gasket
2:4	121-5162	1	Set-Key, Ignition	19:13	125-1295	1	Gasket (HH-Small)
3	99-7430	4	Relay-Mini	20	32180-030	3	Clip-Tie
4	321-4	6	Screw-HH	21	122-0630	1	Red LED Indicator Lamp ASM
5	104-7201	15	Nut-HF	21:1	122-0634	1	Gasket-LED
6	125-5966	1	Cable-Battery, Negative	21:2	122-0633	1	Washer-Locking
7	3255-8	1	Washer-Lock	21:3	122-0632	1	Nut-Fixing
8	33104-020	1	Screw-HHF	25	106-9169	1	Screw-HWH
9	122-0629	1	Cable-Battery, Positive	26	3296-12	1	Nut-Lock, NI
10	1-513374	1	Meter-Hour				



Tail Light Assembly

<i>Ref.</i>	<i>Part Number</i>	<i>Qty.</i>	<i>Description</i>	<i>Ref.</i>	<i>Part Number</i>	<i>Qty.</i>	<i>Description</i>
1	119-1792	1	Harness-Wire	10	119-6072-03	1	Bracket-Plate, License
2	104-8301	4	Nut-HF, NI	11	119-3041	1	Lamp-License
3	3231-9	4	Screw-CARR	12	32105-14	4	Screw-SHH
4	74-2390	2	Reflector-Red	13	3296-12	6	Nut-Lock, NI
5	104-6962	2	Reflector-Amber	14	119-3046	2	Tail-Light
6	3229-10	2	Screw-CARR	15	32105-8	2	Screw-SHH
7	3290-412	4	Rivet-Blind	16	104-7201	2	Nut-HF
8	119-3003-03	1	Bracket-Light Mount (LH)	17	3290-379	1	Tie-Cable
9	119-3004-03	1	Bracket-Light Mount (RH)				



Count on it.