



Count on it.

Parts Catalog

**92cm (36in) Mid-Size Flail
Attachment**

Model No. 02720—Serial No. 312000001 and Up



Ordering Replacement Parts

To order replacement parts, please supply the part number, the quantity, and the description of each part desired.

Understanding Reference Numbers

Each identified part in an illustration has a reference number. The reference number for a part also appears in the parts list, along with other information about the part.

This catalog uses two special reference number formats, one to indicate parts in a service assembly and another to indicate the quantity of a given part in an illustration.

Service Assembly Reference Numbers

Parts in service assemblies have reference numbers in the form a:b. The a represents the reference number of the entire service assembly and the b represents a sequential number unique to each part within the service assembly.

For example, a wheel assembly might be identified by reference number 6, the tire by 6:1, the valve by 6:2, and the wheel by 6:3. When you order the assembly identified by reference number 6, you receive all parts identified by reference numbers 6:1, 6:2, and 6:3. However, you may also order any part individually. Reference numbers of this type appear in illustration and in parts lists.

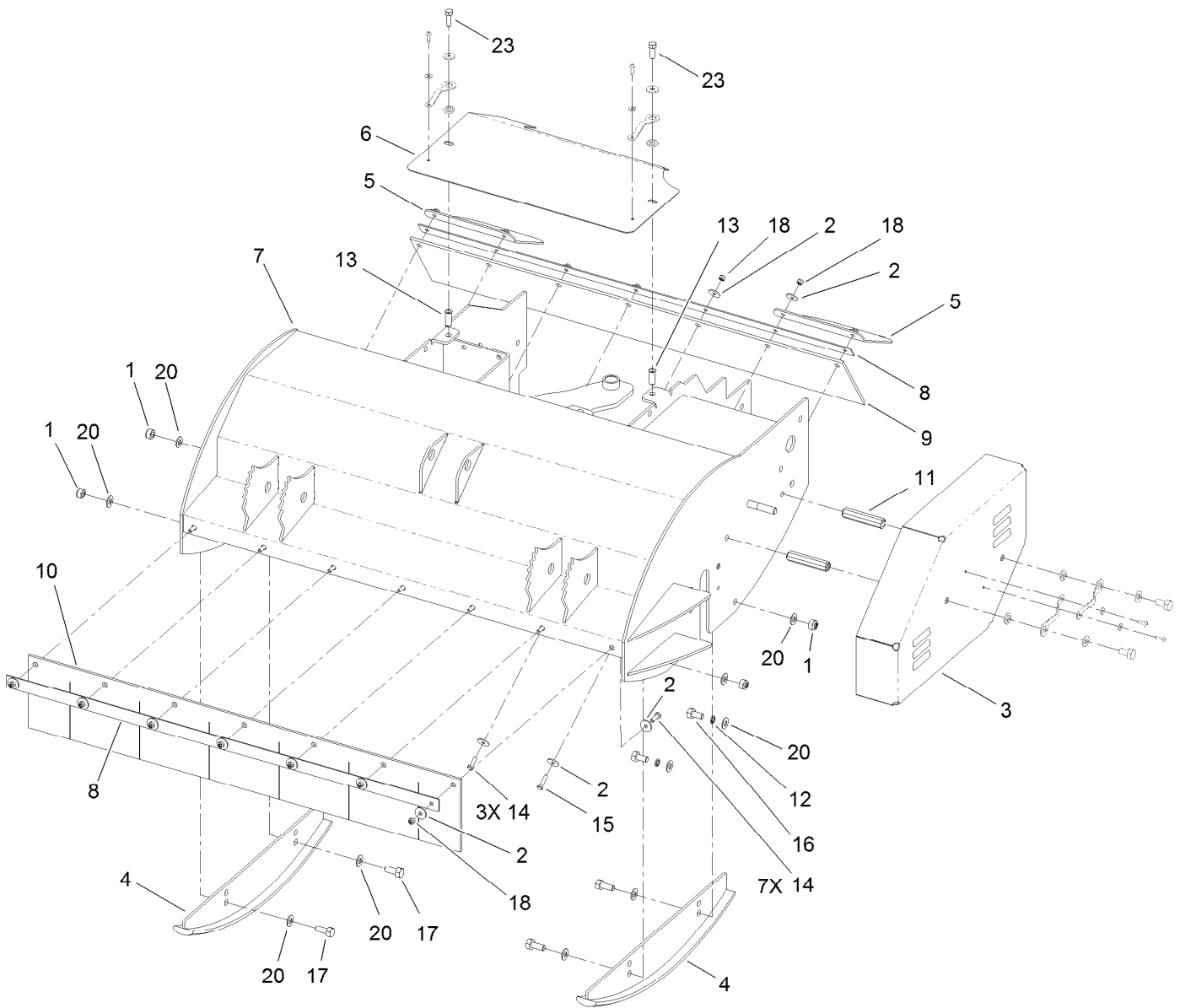
Reference Numbers Indicating Quantity

In an illustration, if a reference number indicates more than one part, the reference number has the form nX y. The n represents the quantity of the part, the X is the multiplication symbol, and the y represents the reference number.

For example, in an illustration, the reference number 2X 37 means that two of the parts identified by reference number 37 are indicated.

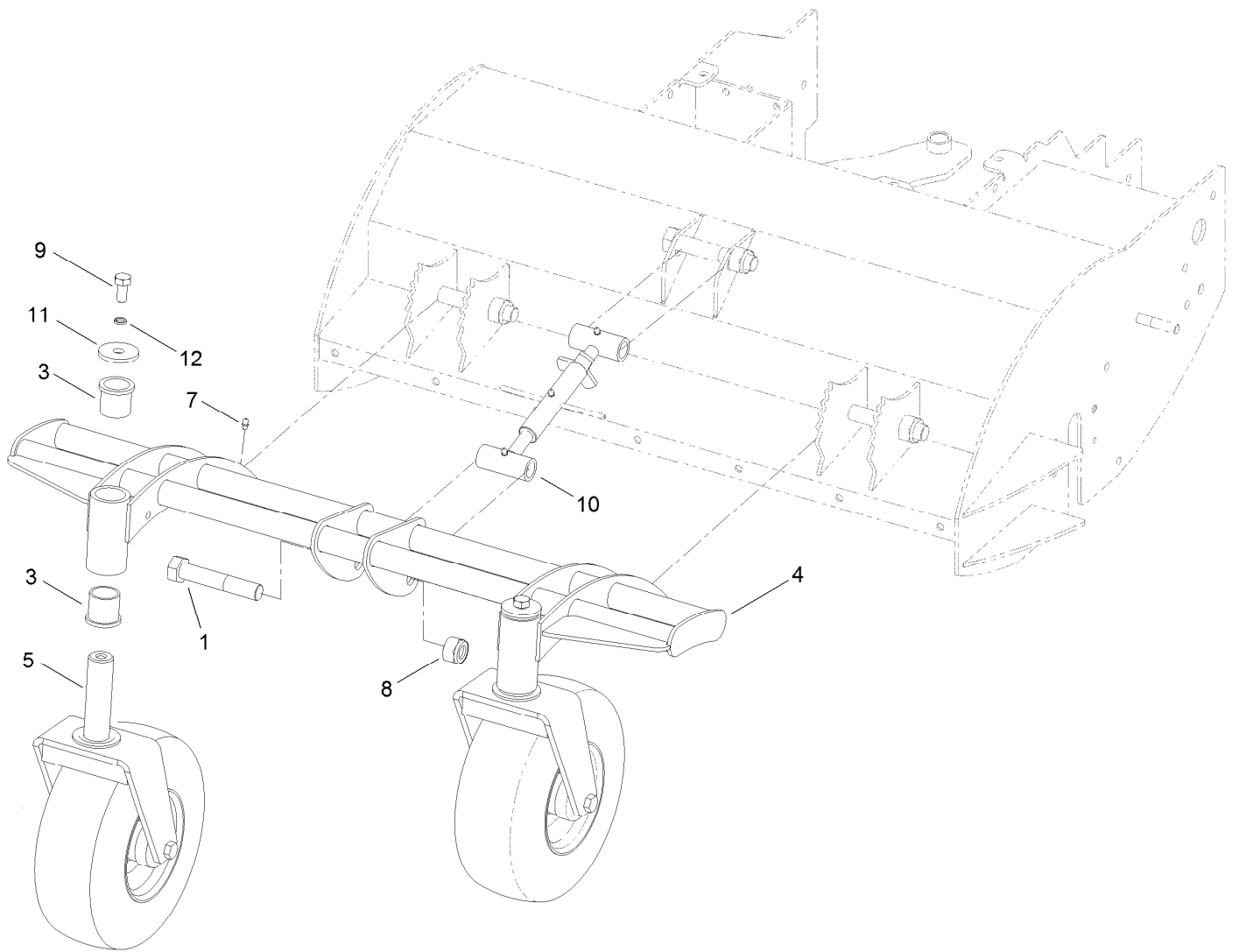
Contents

Chassis, Cover and Guard Assembly 36 Inch Flail Attachment	4
Caster Wheel and Carrier Assembly 36 Inch Flail Attachment	5
Rotor Assembly 36 Inch Flail Attachment	6
Rotary Drive Assembly	7
Top Guard and Side Belt Cover Assembly	8
Caster Wheel Assembly	9
Guard and Drag Shield Assembly	10
Idler Clutch Assembly	11
Brake Assembly	12



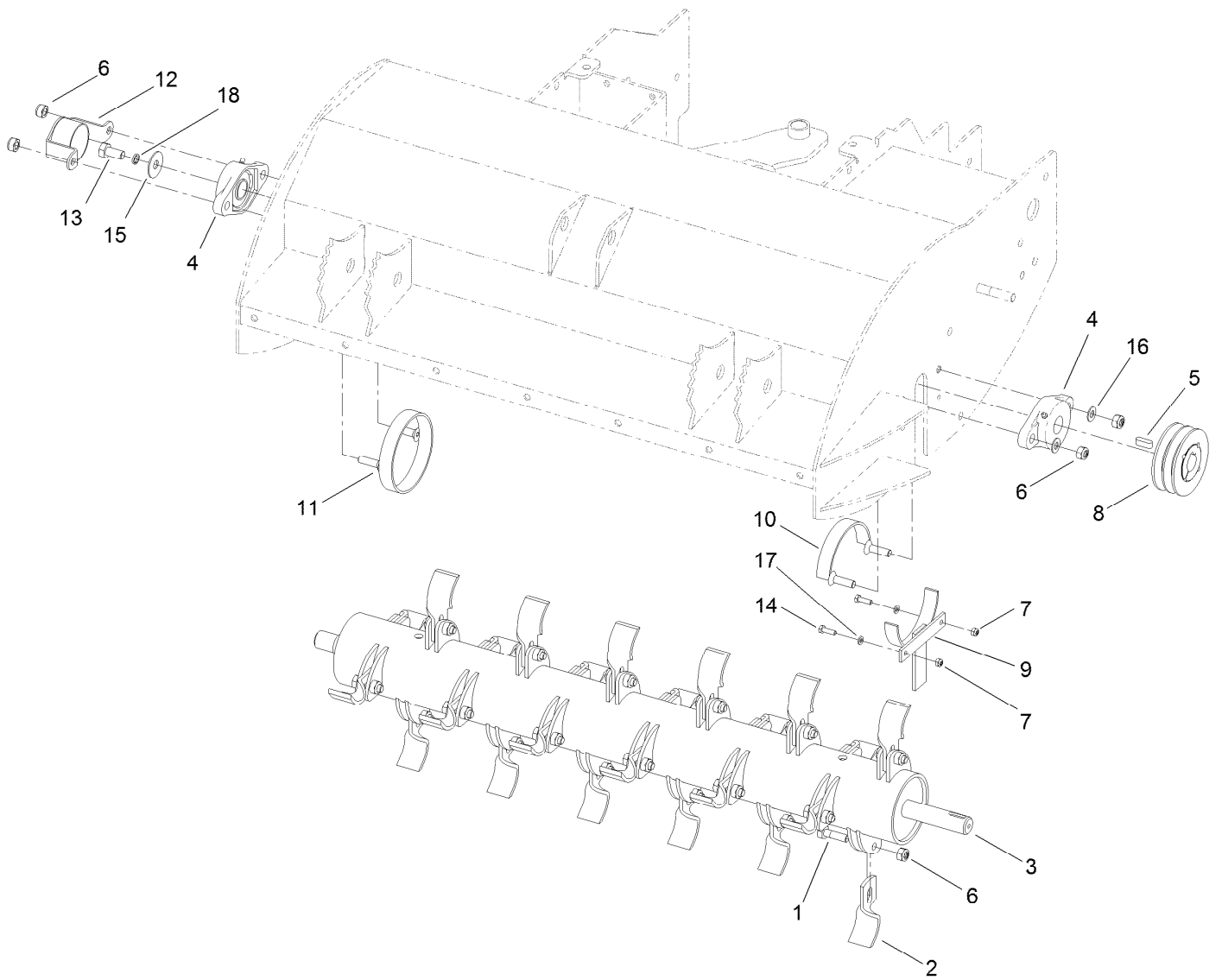
Chassis, Cover and Guard Assembly 36 Inch Flail Attachment

<i>Ref.</i>	<i>Part Number</i>	<i>Qty.</i>	<i>Description</i>	<i>Ref.</i>	<i>Part Number</i>	<i>Qty.</i>	<i>Description</i>
1	ZNN1J000U	4	Nut-Hex, NI	11	111-2514	2	Nut-Adjuster
2	09263	28	Washer	12	09480	2	Washer-Lock
3	111-2382-01	1	Cover-Belt Drive	13	924423	2	Rivet-Blind Bushing
4	111-2385-01	2	Skid-Side	14	09363	10	Screw-HH
5	111-2400-01	2	Guard-Foot	15	09364	4	Screw-HH
6	111-2414-01	1	Guard-Drive, Gearbox	16	09391	4	Screw-HH
7	111-2415-01	1	Frame-Main	17	09395	4	Screw-HH
8	111-2503	2	Bracket-Deflector	18	09438	14	Nut-Nyloc
9	111-2504	1	Rubber-Deflector	20	09479	10	Washer-Plain
10	111-2505	1	Rubber-Deflector Slitted	23	03162	2	Screw-HH



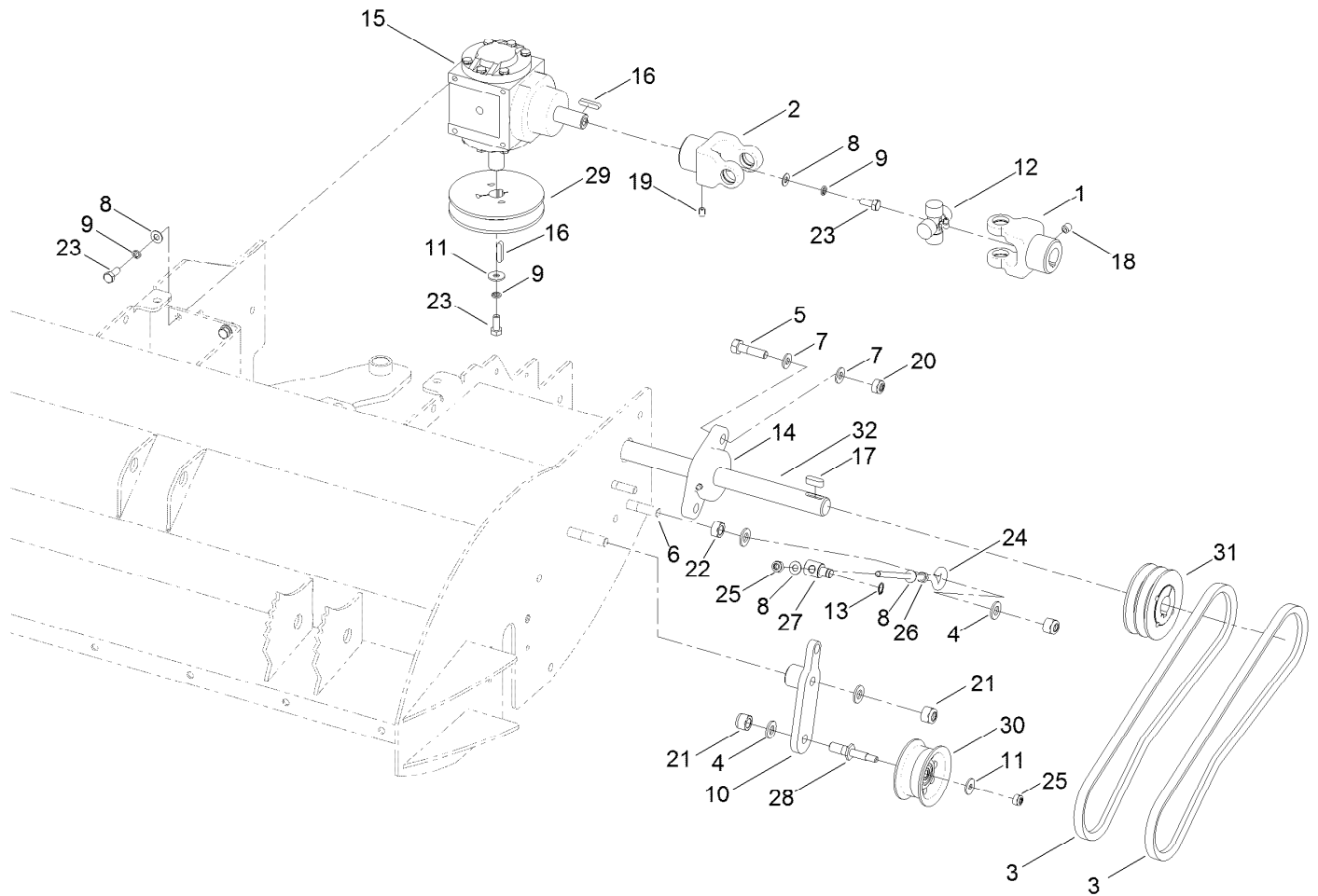
Caster Wheel and Carrier Assembly 36 Inch Flail Attachment

<i>Ref.</i>	<i>Part Number</i>	<i>Qty.</i>	<i>Description</i>
1	111-2383	4	Bolt
3	111-2570	4	Bushing-Caster Wheel
4	111-2393-01	1	Carrier-Caster
5	111-3370-01	2	Fork-Caster
7	111-2561	4	Fitting-Grease
8	111-2384	4	Nut-Nyloc
9	09571	2	Screw-HH
10	111-2381	1	Turn Buckle ASM
11	111-2571	2	Washer
12	09599	2	Washer-Lock



Rotor Assembly 36 Inch Flail Attachment

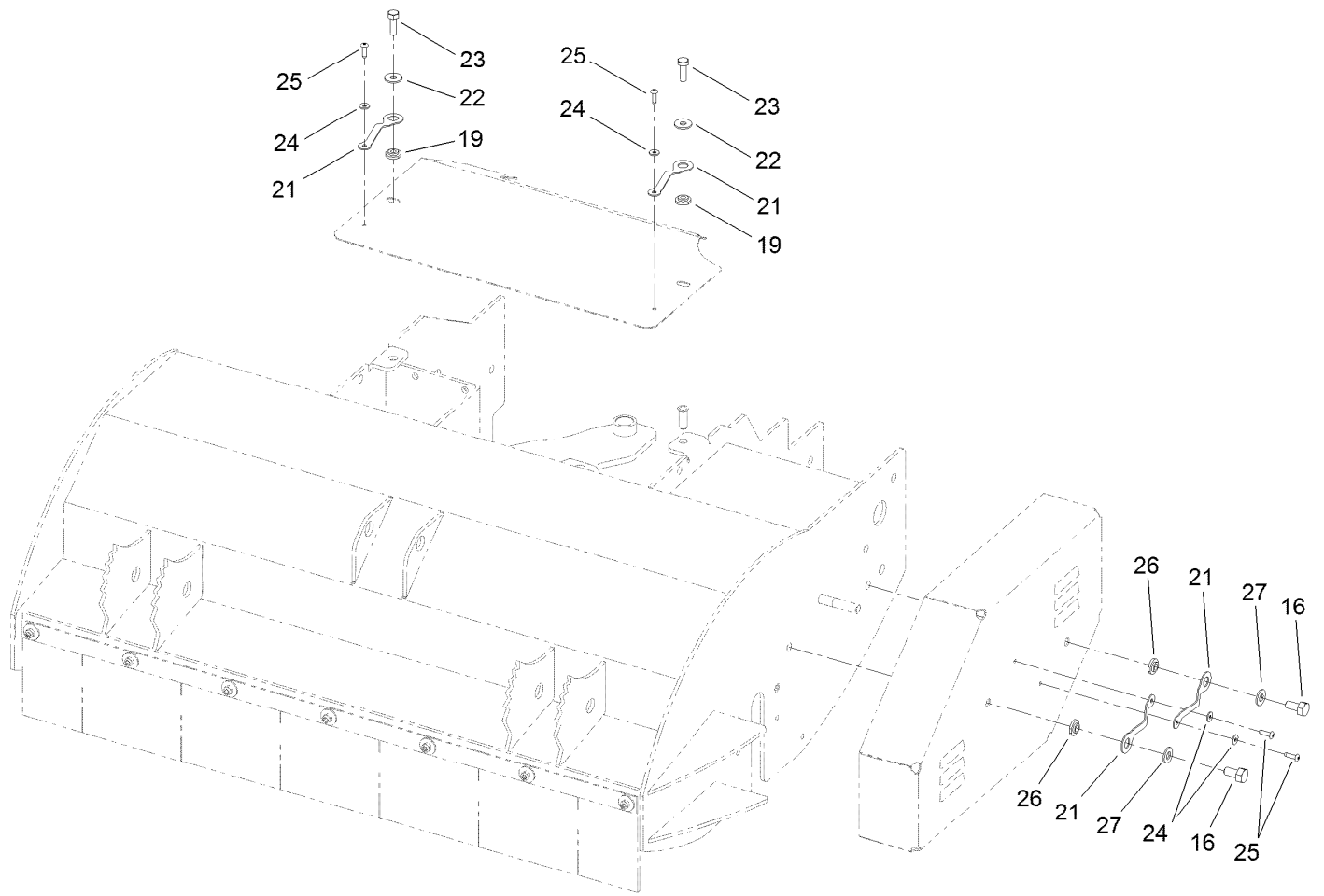
<i>Ref.</i>	<i>Part Number</i>	<i>Qty.</i>	<i>Description</i>	<i>Ref.</i>	<i>Part Number</i>	<i>Qty.</i>	<i>Description</i>
1	09394	24	Bolt	10	111-2445	1	Collar-Rotor End, LH Upper
2	111-2380	24	Knife-Flail	11	111-2416	1	Collar-Rotor End, RH Collar
3	111-2429-03	1	Flail Rotor ASM	12	111-2419	1	Cover-End, Rotor
4	111-2444	2	Bearing-Flange	13	09571	1	Screw-HH
5	111-2480	1	Key	14	09363	2	Screw-HH
6	ZNN1J000U	28	Nut-Hex, NI	15	09283	1	Washer
7	09438	2	Nut-Nyloc	16	09479	2	Washer-Plain
8	111-2412	1	Pulley-V	17	09472	2	Washer-Plain
9	111-2447	1	Collar-Rotor End, LH Lower	18	09599	1	Washer-Lock



Rotary Drive Assembly

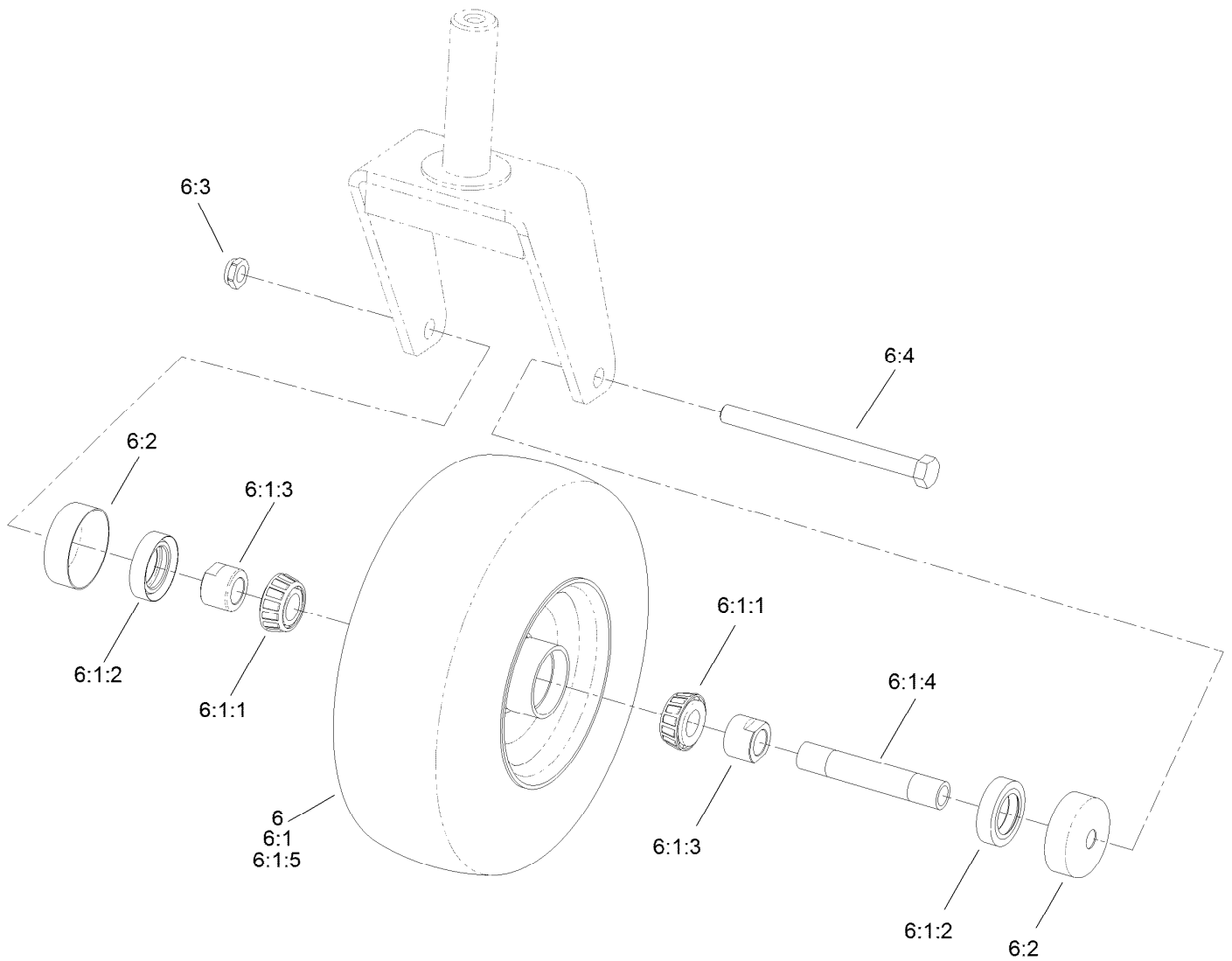
Ref.	Part Number	Qty.	Description	Ref.	Part Number	Qty.	Description
1	111-2433	1	Yoke-PTO	17	111-2480	2	Key
2	111-2432	1	Yoke-PTO	18	111-3085	1	Screw-Grub, Cup Point
3	111-2476	2	Belt	19	111-3084	1	Screw-Grub, Cup Point
4	HY09485	4	Washer-Plain	20	ZNN1J000U	2	Nut-Hex, NI
5	09611	2	Bolt-HH	21	ZNN1L000U	3	Nut-Nyloc
6	09552	1	Screw-HH	22	09454	1	Nut-Hex
7	ZWQ1J000U	4	Washer-Plain	23	09368	6	Screw-HH
8	09475	7	Washer	24	111-2469	1	Rod-Eye, Threaded
9	03469	6	Washer-Spring	25	09441	2	Nut-Hex, NI
10	111-2456	1	Bracket-Pulley, Idler	26	ZNH1H000U	1	Nut-Hex
11	09267	2	Washer	27	111-2460	1	Pivot-Boss
12	111-2431	1	Joint-Universal, PTO	28	111-2459	1	Pivot-Bracket, Idler
13	950940	1	Circlip-External	29	111-2473	1	Pulley-Gearbox
14	111-2444	1	Bearing-Flange	30	111-2455	1	Pulley-Idler
15	111-2411	1	Gearbox	31	111-2412	1	Pulley-V
15:99	134-3781	1	Seal Kit ●	32	111-2501-03	1	Rod-Drive Shaft
16	111-2481	2	Key				

● Not illustrated



Top Guard and Side Belt Cover Assembly

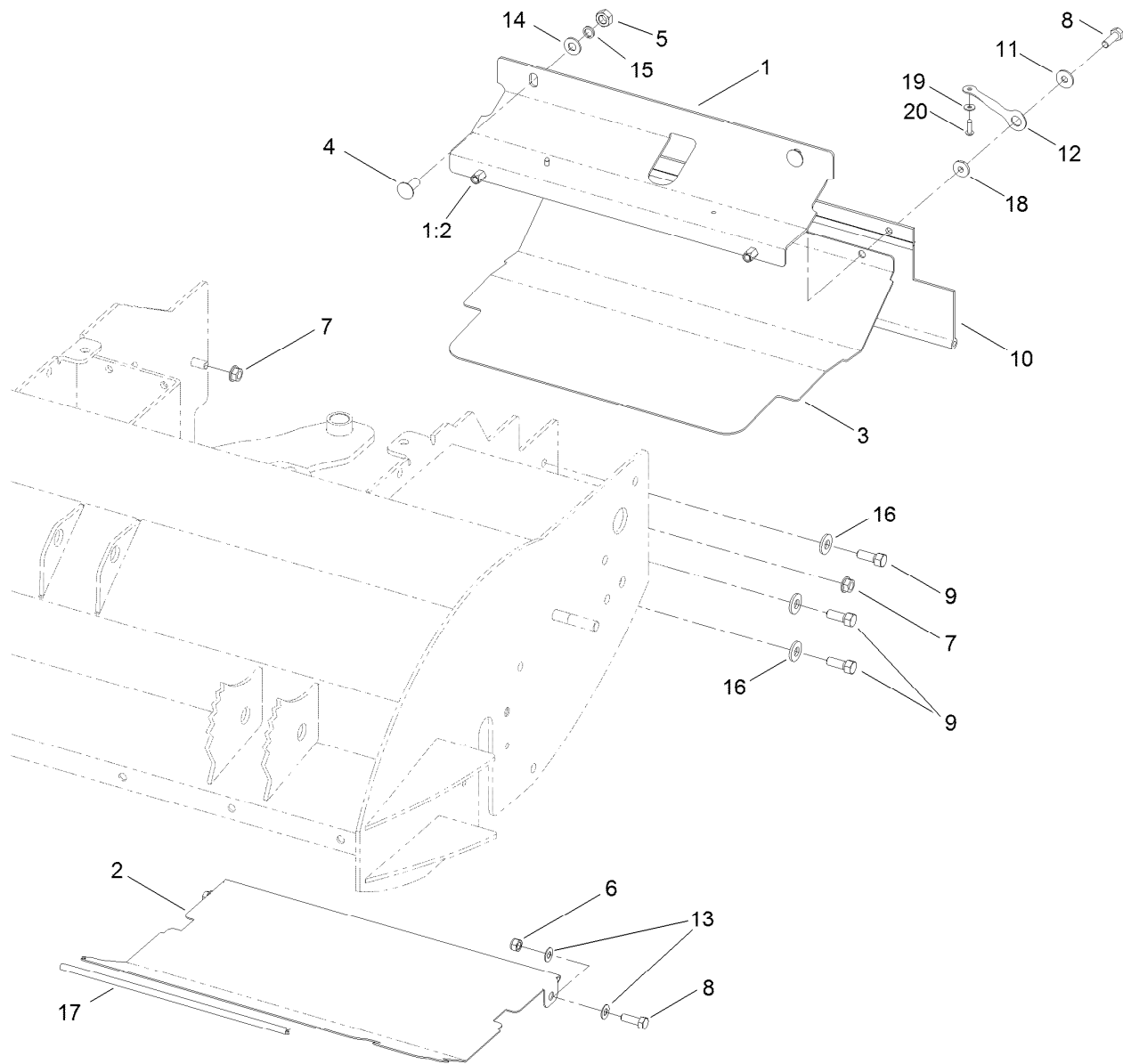
<i>Ref.</i>	<i>Part Number</i>	<i>Qty.</i>	<i>Description</i>
16	09391	2	Screw-HH
19	111-3697	2	Nut-Retainer
21	117-8339	4	Lanyard-3 Inch
22	09267	2	Washer
23	03162	2	Screw-HH
24	09257	4	Washer
25	09320	4	Rivet
26	111-3720	2	Nut-Retainer
27	ZWQ1J000U	2	Washer-Plain



Caster Wheel Assembly

Ref.	Part Number	Qty.	Description
6	112-3810	2	Wheel/Tire And Bearing ASM
6:1		1	Wheel And Bearing ASM ●
6:1:1	1-633585	2	Bearing-Cone, Taper
6:1:2	103-0063	2	Seal-Caster
6:1:3	103-3051	2	Spacer-Nut
6:1:4	103-3157	1	Axle-Caster
6:1:5	110-9965	1	Wheel And Tire ASM
6:2	103-2768	2	Guard-Seal
6:3	3296-45	1	Nut-Hex
6:4	325-20	1	Screw-HH

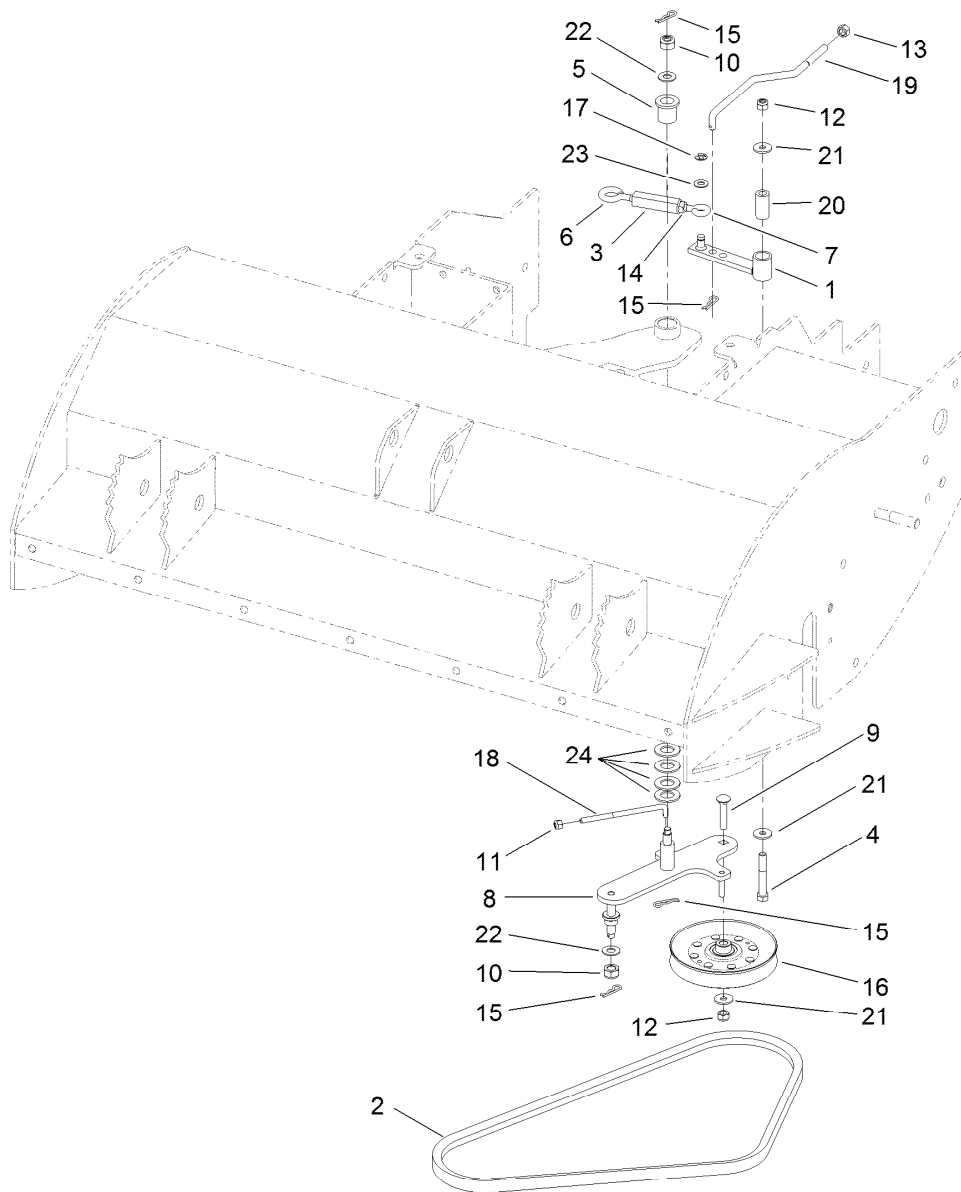
● Not serviced separately



Guard and Drag Shield Assembly

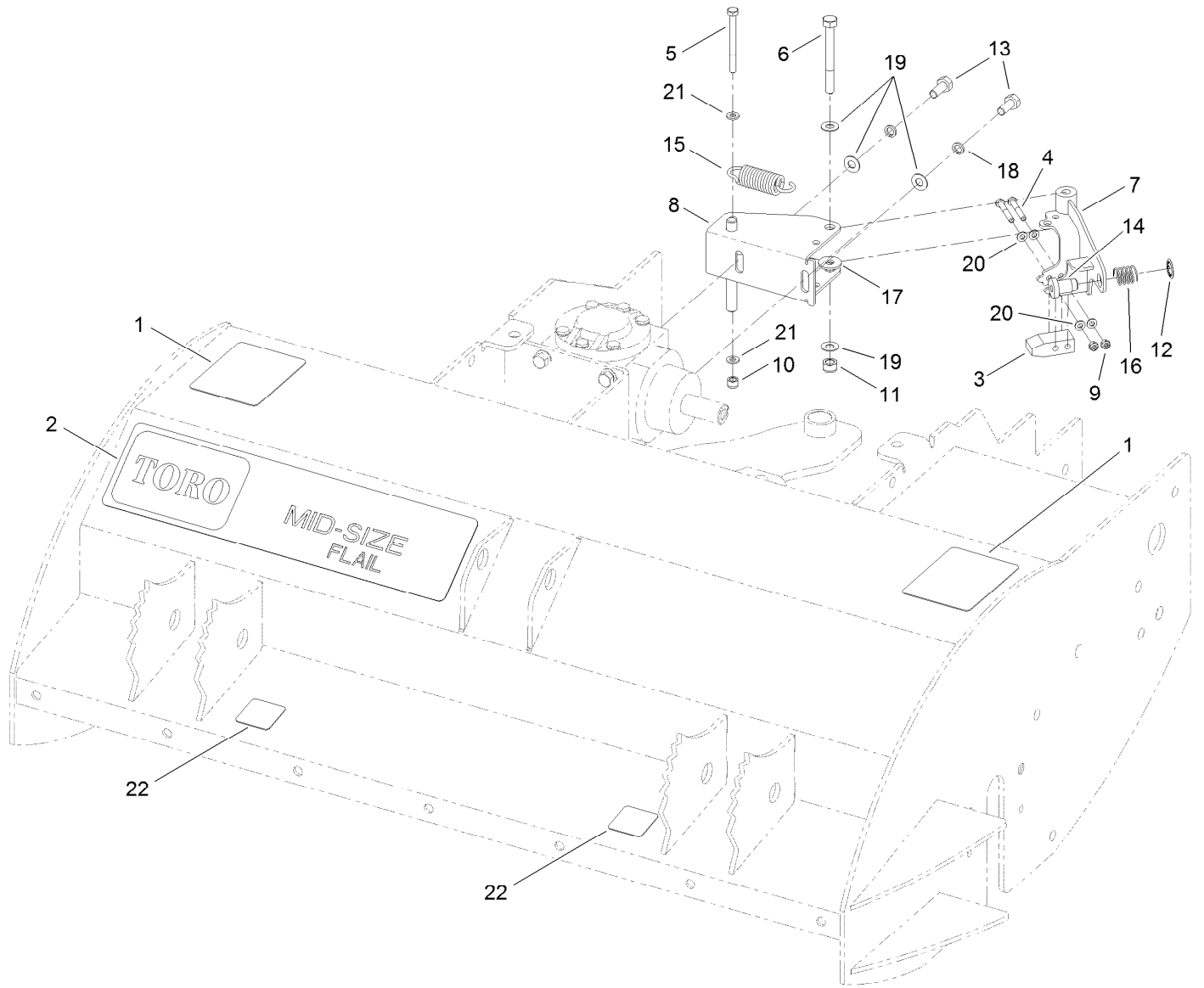
<i>Ref.</i>	<i>Part Number</i>	<i>Qty.</i>	<i>Description</i>
1	111-1986	1	Guard-Drive
1:2	100.004.493	2	Nut-Rivet
2	111-2525-01	1	Guard-Center Discharge Flail
3	111-1655-01	1	Guard-Underside
4	15-11-003	2	Bolt-CARR
5	09449	2	Nut
6	09441	2	Nut-Hex, NI
7	3290-357	8	Nut-HHF, Whiz
8	03162	4	Screw-HH
9	HY103653	8	Screw-HH

<i>Ref.</i>	<i>Part Number</i>	<i>Qty.</i>	<i>Description</i>
10	103-2056	1	Shield-Drag
11	09267	2	Washer
12	117-8339	2	Lanyard-3 Inch
13	09475	4	Washer
14	ZWQ1J000U	2	Washer-Plain
15	09480	2	Washer-Lock
16	98-5975	8	Washer-Belleville
17	305128	1	Strip-Protection
18	111-3697	2	Nut-Retainer
19	09257	2	Washer
20	09320	2	Rivet



Idler Clutch Assembly

<i>Ref.</i>	<i>Part Number</i>	<i>Qty.</i>	<i>Description</i>	<i>Ref.</i>	<i>Part Number</i>	<i>Qty.</i>	<i>Description</i>
1	111-2990	1	Arm-Assist	13	09207	1	Nut
2	111-2655	1	Belt-V	14	32128-20	1	Nut-HF
3	1-303236	1	Body-Turnbuckle	15	1-806003	4	Pin-Cotter
4	09565	1	Screw-HH	16	111-2464	1	Pulley-Idler Clutch
5	953868	1	Bushing-Flange, Oilite	17	32120-35	1	Ring-Retaining, EXT
6	1-303348	1	Eyebolt-Thread, LH	18	111-2977	1	Rod-Brake
7	1-303238	1	Eyebolt-Thread, RH	19	111-2474	1	Rod-Linkage, Drive
8	111-2657	1	Idler-Clutch	20	1-403179	1	Tube-Pivot
9	09379	1	Bolt-Coach	21	09267	3	Washer
10	ZNN1J000U	2	Nut-Hex, NI	22	09479	2	Washer-Plain
11	09544	1	Nut-Nyloc	23	09475	1	Washer
12	09441	2	Nut-Hex, NI	24	ZWP1P000U	4	Washer-Plain



Brake Assembly

Ref.	Part Number	Qty.	Description	Ref.	Part Number	Qty.	Description
1	40-13-010	2	Decal-Warning	12	1-323748	1	Ring-Push On
2	111-2992	1	Decal	13	09368	2	Screw-HH
3	212226	1	Block-Brake	14	1-323746	1	Spacer-Flanged
4	ZBH1E035U	2	Bolt	15	212227	1	Spring-Tension
5	09703	1	Bolt-HH	16	1-323747	1	Spring-Compression
6	ZBH1H075U	1	Bolt	17	09267	1	Washer
7	111-2980	1	Brake-Arm	18	03469	2	Washer-Spring
8	111-2985	1	Bracket-Mount, Brake	19	09475	4	Washer
9	09430	2	Nut-Nyloc	20	09470	4	Washer
10	09544	1	Nut-Nyloc	21	09472	2	Washer-Plain
11	09441	1	Nut-Hex, NI	22	320006	2	Decal-HOC

Notes:

Notes:

Notes:



Count on it.