



Form No. 3420-665 Rev A

Count on it.

Operator's Manual

**Standard Bucket
Compact Tool Carriers**

Model No. 22340—Serial No. 40200000 and Up



⚠ DANGER

There may be buried utility lines in the work area. Digging into them may cause a shock or an explosion.

Have the property or work area marked for buried lines and do not dig in marked areas. Contact your local marking service or utility company to have the property marked (for example, in the US, call 811 or in Australia, call 1100 for the nationwide marking service).

⚠ WARNING

CALIFORNIA Proposition 65 Warning

Use of this product may cause exposure to chemicals known to the State of California to cause cancer, birth defects, or other reproductive harm.

Introduction

Read this information carefully to learn how to operate and maintain your product properly and to avoid injury and product damage. You are responsible for operating the product properly and safely.

You may contact Toro directly at www.Toro.com for product safety and operation training materials, accessory information, help finding a dealer, or to register your product.

Whenever you need service, genuine Toro parts, or additional information, contact an Authorized Service Dealer or Toro Customer Service and have the model and serial numbers of your product ready. [Figure 1](#) identifies the location of the model and serial numbers on the product. Write the numbers in the space provided.

Important: With your mobile device, you can scan the QR code on the serial number decal (if equipped) to access warranty, parts, and other product information.

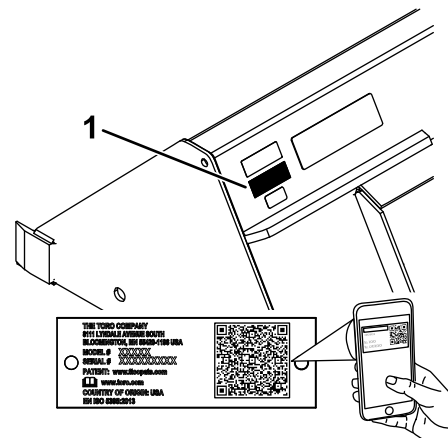


Figure 1

g240152

1. Model and serial number location

| |
|------------------|
| Model No. _____ |
| Serial No. _____ |

This manual identifies potential hazards and has safety messages identified by the safety-alert symbol ([Figure 2](#)), which signals a hazard that may cause serious injury or death if you do not follow the recommended precautions.



Figure 2

g000502

1. Safety-alert symbol

This manual uses 2 words to highlight information. **Important** calls attention to special mechanical information and **Note** emphasizes general information worthy of special attention.

Contents

| | |
|--|---|
| Safety | 3 |
| General Safety | 3 |
| Slope Safety | 3 |
| Attachment Safety | 4 |
| Maintenance and Storage Safety | 4 |
| Safety and Instructional Decals | 4 |
| Operation | 5 |
| Transport Position | 5 |
| Specifications | 5 |
| Maximum Material Density at Capacity | 5 |
| Storage | 6 |

Safety

▲ DANGER

There may be buried utility lines in the work area. Digging into them may cause a shock or an explosion.

Have the property or work area marked for buried lines and do not dig in marked areas. Contact your local marking service or utility company to have the property marked (for example, in the US, call 811 or in Australia, call 1100 for the nationwide marking service).

General Safety

Always follow all safety instructions to avoid serious injury or death.

- Do not carry a load with the arms raised; always carry loads close to the ground; refer to [Transport Position \(page 5\)](#).
- Slopes are a major factor related to loss-of-control and tip-over accidents, which can result in severe injury or death. Operating the machine on any slope or uneven terrain requires extra caution.
- Operate the machine up and down slopes with the heavy end of the machine uphill and the load close to the ground. Weight distribution changes with attachments. An empty bucket makes the rear of the machine the heavy end, and a full bucket makes the front of the machine the heavy end. Most other attachments make the front of the machine the heavy end.
- Have the property or work area marked for buried lines and other objects, and do not dig in marked areas.
- Read and understand the content of this *Operator's Manual* before starting the engine.
- Use your full attention while operating the machine. Do not engage in any activity that causes distractions; otherwise, injury or property damage may occur.
- Never allow children or untrained people to operate the machine.
- Keep your hands and feet away from the moving components and attachments.
- Do not operate the machine without the guards and other safety protective devices in place and working on the machine.
- Keep bystanders and pets a safe distance away from the machine.
- Stop the machine, shut off the engine, and remove the key before servicing, fueling, or unclogging the machine.

Improperly using or maintaining this machine can result in injury. To reduce the potential for injury, comply with these safety instructions and always pay attention to the safety-alert symbol, which means Caution, Warning, or Danger—personal safety instruction. Failure to comply with these instructions may result in personal injury or death.

You can find additional safety information where needed throughout this *Operator's Manual*.

Slope Safety

- **Operate the machine up and down slopes with the heavy end of the machine uphill.** Weight distribution changes with attachments. An empty bucket makes the rear of the machine the heavy end, and a full bucket makes the front of the machine the heavy end. Most other attachments make the front of machine the heavy end.
- Raising the loader arms on a slope affects the stability of the machine. Keep the loader arms in the lowered position when on slopes.
- Slopes are a major factor related to loss of control and tip-over accidents, which can result in severe injury or death. Operating the machine on any slope or uneven terrain requires extra caution.
- Establish your own procedures and rules for operating on slopes. These procedures must include surveying the site to determine which slopes are safe for machine operation. Always use common sense and good judgment when performing this survey.
- Slow down and use extra care on hillsides. Ground conditions can affect the stability of the machine.
- Avoid starting or stopping on a slope. If the machine loses traction, proceed slowly, straight down the slope.
- Avoid turning on slopes. If you must turn, turn slowly and keep the heavy end of the machine uphill.
- Keep all movements on slopes slow and gradual. Do not make sudden changes in speed or direction.
- If you feel uneasy operating the machine on a slope, do not do it.
- Watch for holes, ruts, or bumps, as uneven terrain could overturn the machine. Tall grass can hide obstacles.
- Use caution when operating on wet surfaces. Reduced traction could cause sliding.
- Do not operate the machine near drop-offs, ditches, embankments, or bodies of water. The machine could suddenly roll over if a wheel or track goes over the edge or the edge caves in.

Maintain a safe distance between the machine and any hazard.

- Do not remove or add attachments on a slope.
- Do not park the machine on a hillside or slope.

Attachment Safety

- Wear gloves, eye protection, long pants, substantial slip-resistant footwear, and hearing protection during operation or while adjusting or repairing the machine.
- After striking a foreign object, shut off the engine, remove the key, thoroughly inspect the attachment for any damage, and repair the damage before starting and operating the attachment.
- Always lower the attachment each time you shut off the machine or leave the operating position.
- Clean any dirt or debris that may hinder connecting the attachment to the machine. Ensure that the attachment-locking pins are fully seated in the holes of the attachment-mount plate. Refer to the *Operator's Manual* for the machine for detailed information on safely connecting an attachment to your machine.
- When lifting the attachment keep it level and prevent the load from spilling backward.

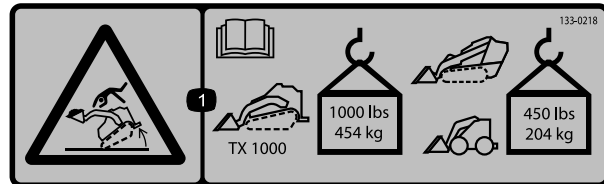
Maintenance and Storage Safety

- Check fasteners at frequent intervals for proper tightness to ensure that the equipment is in safe operating condition.
- Refer to the *Operator's Manual* for important details if you store the attachment for an extended period of time
- Maintain or replace safety and instruction labels, as necessary.

Safety and Instructional Decals



Safety decals and instructions are easily visible to the operator and are located near any area of potential danger. Replace any decal that is damaged or missing.



133-0218

decal133-0218

1. Tipping hazard—read the *Operator's Manual*; for the TX 1000, do not exceed loads of 454 kg (1000 lb); for other models, do not exceed loads of 204 kg (450 lb).

Operation

Note: Always use the traction unit to lift and move the attachment.

Important: Before installing the bucket, ensure that the mount plates are free of any dirt or debris and that the pins rotate freely. If the pins do not rotate freely, grease them.

Before installing or removing the attachment, position the machine on a level surface; refer to the *Operator's Manual* for the traction unit.

When loading material, always have the bucket level to the ground, moving forward into the material to be lifted. When the bucket is full, tilt it gently rearward to decrease the lifting resistance when you lift the load.

Transport Position

When transporting a load, keep the attachment as close to the ground as possible, no more than 6 inches above the lowest position. Tilt it rearward to keep the load level.

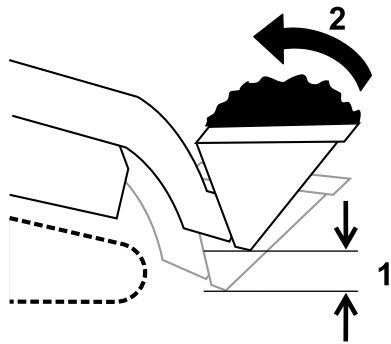


Figure 3

g240205

1. No more than 6 inches above the lowest position
2. Tilt the load rearward

Specifications

Note: Specifications and design are subject to change without notice.

| | |
|--------------------------------|--|
| Width | 104 cm (41 inches) |
| Length | 58 cm (23 inches) |
| Height | 38 cm (15 inches) |
| Weight | 78 kg (172 lb) |
| Capacity (SAE struck capacity) | 0.12 m ³ (4.3 ft ³) |

To best protect your investment and maintain optimal performance of your Toro equipment, count on Toro genuine parts. When it comes to reliability, Toro delivers replacement parts designed to the exact engineering specification of our equipment. Use only Toro genuine parts.

Maximum Material Density at Capacity

The density of the materials moved by the bucket varies and, therefore, so does the amount of material that the bucket can carry before reaching the maximum load rating. The first 2 tables lists the density of material that can be carried, both heaped and struck (i.e., leveled off), in the bucket. The Material Density table lists common materials and their densities.

TX 1000

| Bucket Capacity | Maximum Density |
|-------------------------|--|
| Heaped bucket | 3026 kg/m ³ (188 lb/ft ³) |
| Struck (leveled) bucket | 3783 kg/m ³ (232 lb/ft ³) |

Other Models

| Bucket Capacity | Maximum Density |
|-------------------------|--|
| Heaped bucket | 1360 kg/m ³ (85 lb/ft ³) |
| Struck (leveled) bucket | 1676 kg/m ³ (104 lb/ft ³) |

Material Density

| Material | Density (Approximate) |
|----------------------------------|--|
| Caliche | 1250 kg/m ³ (78 lb/ft ³) |
| Clay: | |
| Natural bed | 1600 kg/m ³ (104 lb/ft ³) |
| Dry | 1480 kg/m ³ (93 lb/ft ³) |
| Wet | 1660 kg/m ³ (104 lb/ft ³) |
| With gravel, dry | 1420 kg/m ³ (89 lb/ft ³) |
| With gravel, wet | 1540 kg/m ³ (96 lb/ft ³) |
| Coal: | |
| Anthracite, broken | 1100 kg/m ³ (69 lb/ft ³) |
| Bituminous, broken | 830 kg/m ³ (52 lb/ft ³) |
| Earth: | |
| Dry, packed | 1510 kg/m ³ (94 lb/ft ³) |
| Wet, packed | 1600 kg/m ³ (100 lb/ft ³) |
| Loam | 1250 kg/m ³ (78 lb/ft ³) |
| Granite, broken or large crushed | 1660 kg/m ³ (104 lb/ft ³) |
| Gravel: | |
| Dry | 1510 kg/m ³ (94 lb/ft ³) |
| Pit run (graveled sand) | 1930 kg/m ³ (120 lb/ft ³) |
| Dry, 13 to 51 mm (1/2 to 2 inch) | 1690 kg/m ³ (106 lb/ft ³) |
| Wet, 13 to 51 mm (1/2 to 2 inch) | 2020 kg/m ³ (126 lb/ft ³) |
| Limestone, broken or crushed | 1540 kg/m ³ (96 lb/ft ³) |
| Sand: | |
| Dry | 1420 kg/m ³ (89 lb/ft ³) |
| Wet | 1840 kg/m ³ (115 lb/ft ³) |
| With gravel, dry | 1720 kg/m ³ (107 lb/ft ³) |
| With gravel, wet | 2020 kg/m ³ (126 lb/ft ³) |
| Sandstone, broken | 1510 kg/m ³ (94 lb/ft ³) |
| Shale | 1250 kg/m ³ (78 lb/ft ³) |
| Slag, broken | 1750 kg/m ³ (109 lb/ft ³) |
| Stone, crushed | 1600 kg/m ³ (100 lb/ft ³) |
| Topsoil | 950 kg/m ³ (59 lb/ft ³) |

Storage

1. Before long-term storage, wash the attachment with mild detergent and water to remove dirt and grime.
2. Paint all scratched or bare metal surfaces.
Note: Paint is available from your Authorized Service Dealer.
3. Store the attachment in a clean, dry garage or storage area. Cover it to protect it and keep it clean.

Notes:



Count on it.