



**Count on it.**

**Parts Catalog**

**Super Recycler®**

**Lawn Mower**

Model No. 21381—Serial No. 403342070 and Up



# Ordering Replacement Parts

To order replacement parts, please supply the part number, the quantity, and the description of each part desired.

## Understanding Reference Numbers

Each identified part in an illustration has a reference number. The reference number for a part also appears in the parts list, along with other information about the part.

This catalog uses two special reference number formats, one to indicate parts in a service assembly and another to indicate the quantity of a given part in an illustration.

## Service Assembly Reference Numbers

Parts in service assemblies have reference numbers in the form a:b. The a represents the reference number of the entire service assembly and the b represents a sequential number unique to each part within the service assembly.

For example, a wheel assembly might be identified by reference number 6, the tire by 6:1, the valve by 6:2, and the wheel by 6:3. When you order the assembly identified by reference number 6, you receive all parts identified by reference numbers 6:1, 6:2, and 6:3. However, you may also order any part individually. Reference numbers of this type appear in illustration and in parts lists.

## Reference Numbers Indicating Quantity

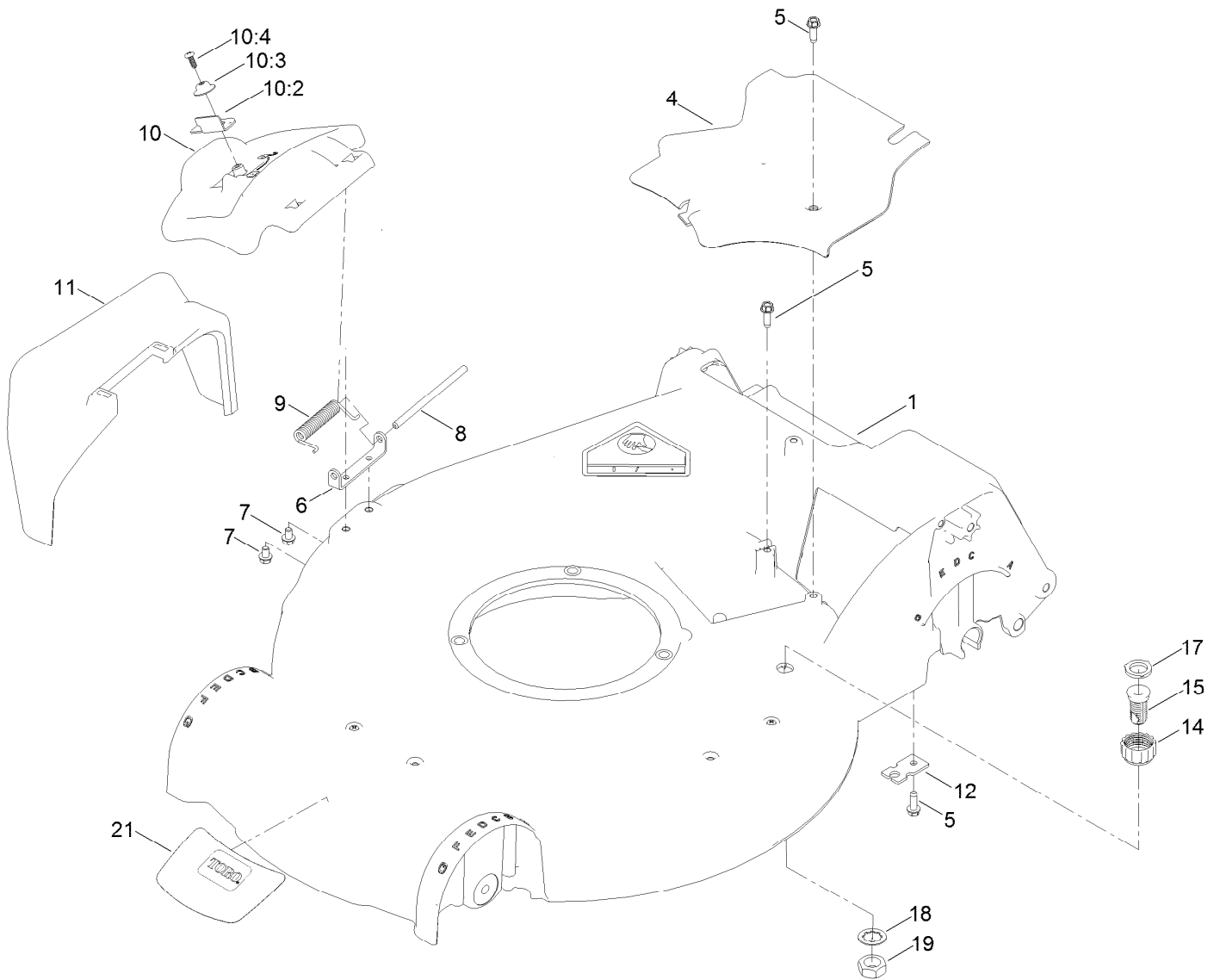
In an illustration, if a reference number indicates more than one part, the reference number has the form nX y. The n represents the quantity of the part, the X is the multiplication symbol, and the y represents the reference number.

For example, in an illustration, the reference number 2X 37 means that two of the parts identified by reference number 37 are indicated.

# Contents

Housing Assembly .....	4
Housing Assembly No. 115-2854 .....	6
Discharge Tunnel Assembly .....	8
Bag Assembly .....	10
Engine and Blade Assembly .....	12
Fuel System Assembly .....	14
Air Intake and Filtration Assembly .....	16
Fly Wheel Assembly .....	18
Crankcase Assembly .....	20
Governor Assembly .....	22
Piston and Cylinder Head Assembly .....	24
Blower Housing Assembly .....	26
Front Wheel and Height-of-Cut Assembly .....	28
Rear Wheel and Hight-of-Cut Assembly .....	30
Handle Assembly .....	32
Attachments and Accessories .....	34

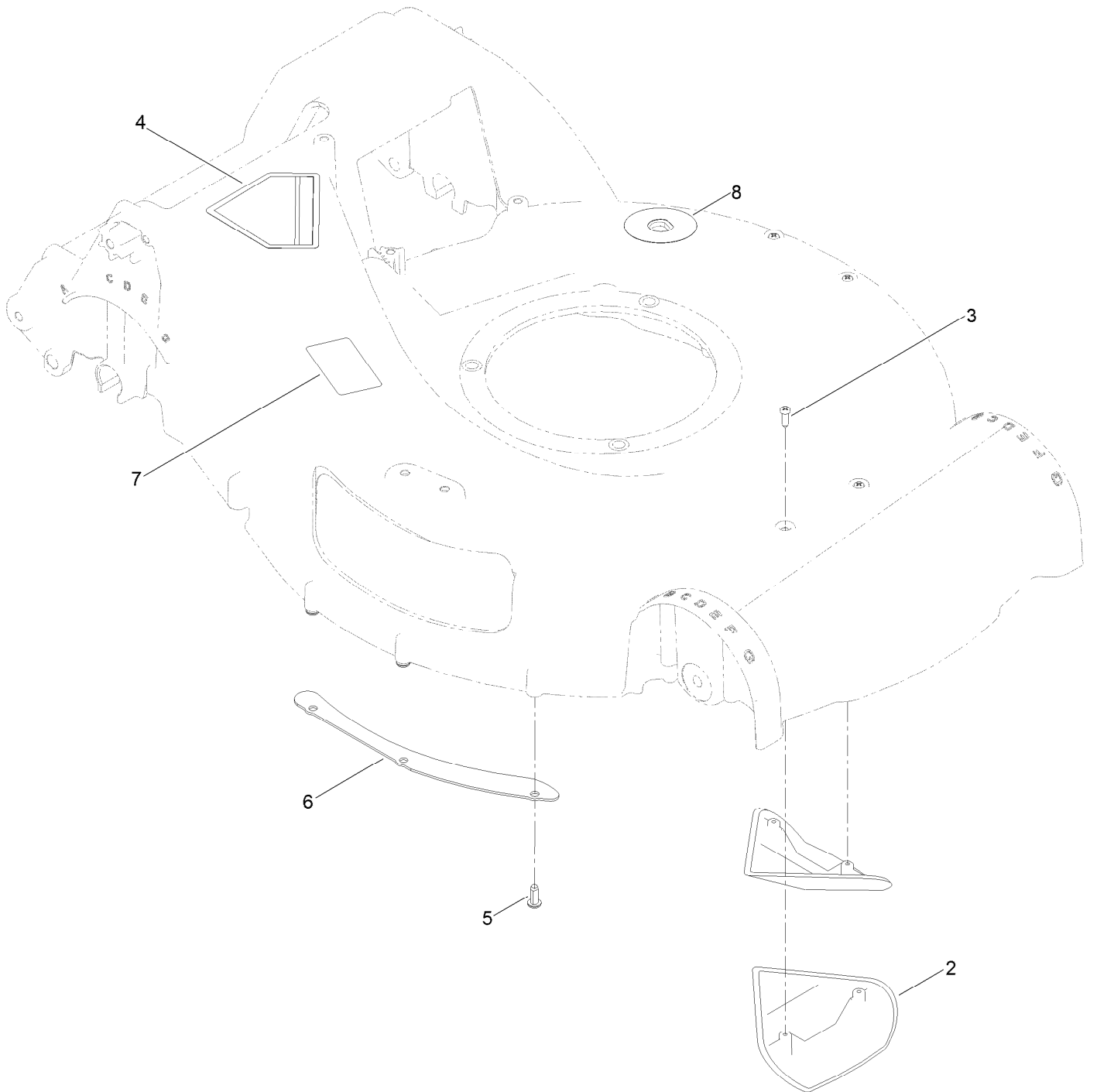
# Housing Assembly



## Housing Assembly (continued)

<i>Ref.</i>	<i>Part Number</i>	<i>Qty.</i>	<i>Description</i>	<i>Ref.</i>	<i>Part Number</i>	<i>Qty.</i>	<i>Description</i>
1	115-2854	1	Housing ASM	10:4	107-7461	1	Screw-Plastite
4	107-7494	1	Cover-Belt	11	108-3753	1	Chute-Discharge, Side
5	49-2040	2	Screw-HWHTF	12	138-3224	1	Bracket-Cable, Traction
6	112-6416	1	Bracket-Cover	14	112-6401	1	Coupling-Hose, Washout Port
7	99-8445	2	Screw-HWH	15	112-6400	1	Port-Washout
8	99-5291	1	Rod-Cover	17	112-6438	1	Washer-Seal, Washout Port
9	99-5293	1	Spring-Torsion	18	3254-5	1	Washer-Lock
10	107-3717	1	Discharge Door ASM	19	3218-6	1	Nut-Jam
10:2	107-0795	1	Latch-Door	21	136-7097	1	Decal-Deck
10:3	107-7456	1	Cap-Door				

# Housing Assembly No. 115-2854

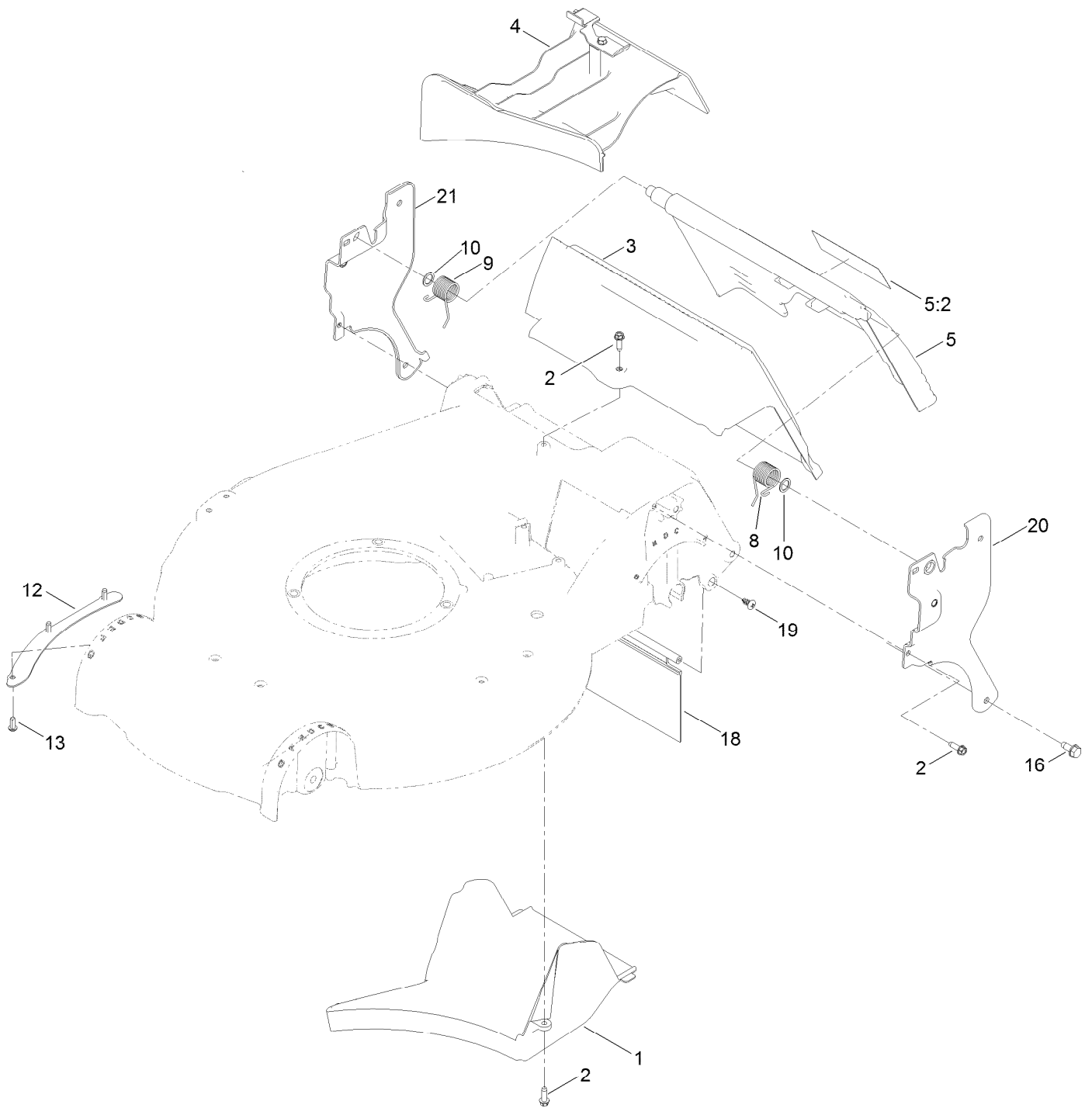


# Housing Assembly No. 115-2854 (continued)

<i>Ref.</i>	<i>Part Number</i>	<i>Qty.</i>	<i>Description</i>
2	108-3798	2	Kicker-Housing
3	32144-111	4	Screw-PPH
4	94-8072	1	Decal-Danger
5	63-8590	3	Screw

<i>Ref.</i>	<i>Part Number</i>	<i>Qty.</i>	<i>Description</i>
6	105-1316-03	1	Sheet-Lip
7	125-5092	1	Decal-Placement, Foot
8	137-9196	1	Decal-Quick Wash

# Discharge Tunnel Assembly

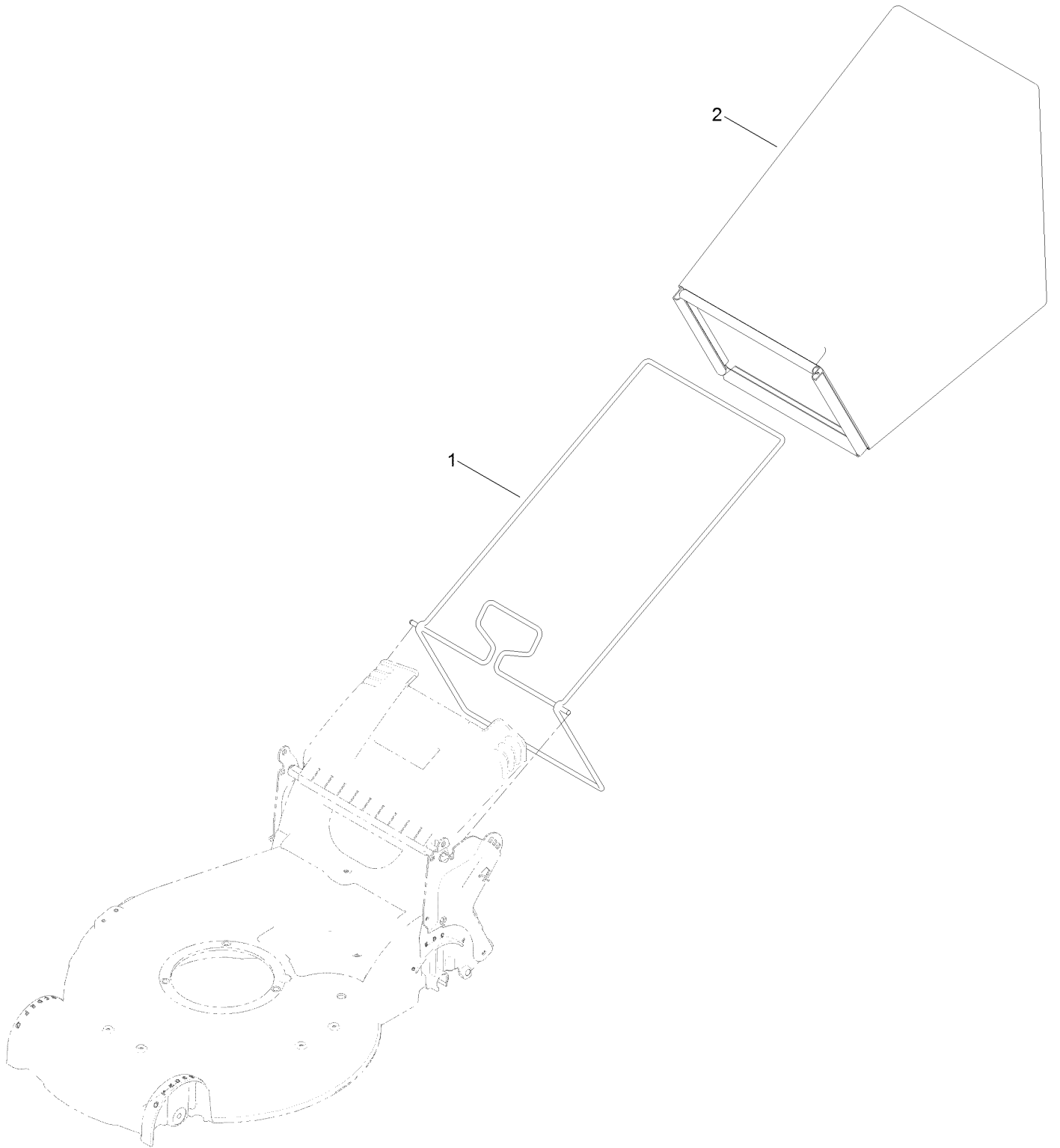




## Discharge Tunnel Assembly (continued)

<i>Ref.</i>	<i>Part Number</i>	<i>Qty.</i>	<i>Description</i>	<i>Ref.</i>	<i>Part Number</i>	<i>Qty.</i>	<i>Description</i>
1	107-7495	1	Tunnel-Discharge	10	94-8196	2	Washer-Nylon
2	49-2040	5	Screw-HWHTF	12	105-1316-03	1	Sheet-Lip
3	114-2668	1	Chute	13	63-8590	3	Screw
4	115-8413	1	Mulch Plug ASM	16	32144-11	2	Screw-Thd Roll, HWH
5	137-9139	1	Rear Door ASM	18	120-7011	1	Shield-Trailing
5:2	131-4514	1	Decal-Warning	19	117-1092	2	Screw-PTH
8	115-2859	1	Spring-Torsion	20	137-9108	1	Plate-Handle, LH
9	114-7924	1	Spring-Torsion	21	137-9107	1	Plate-Handle, RH

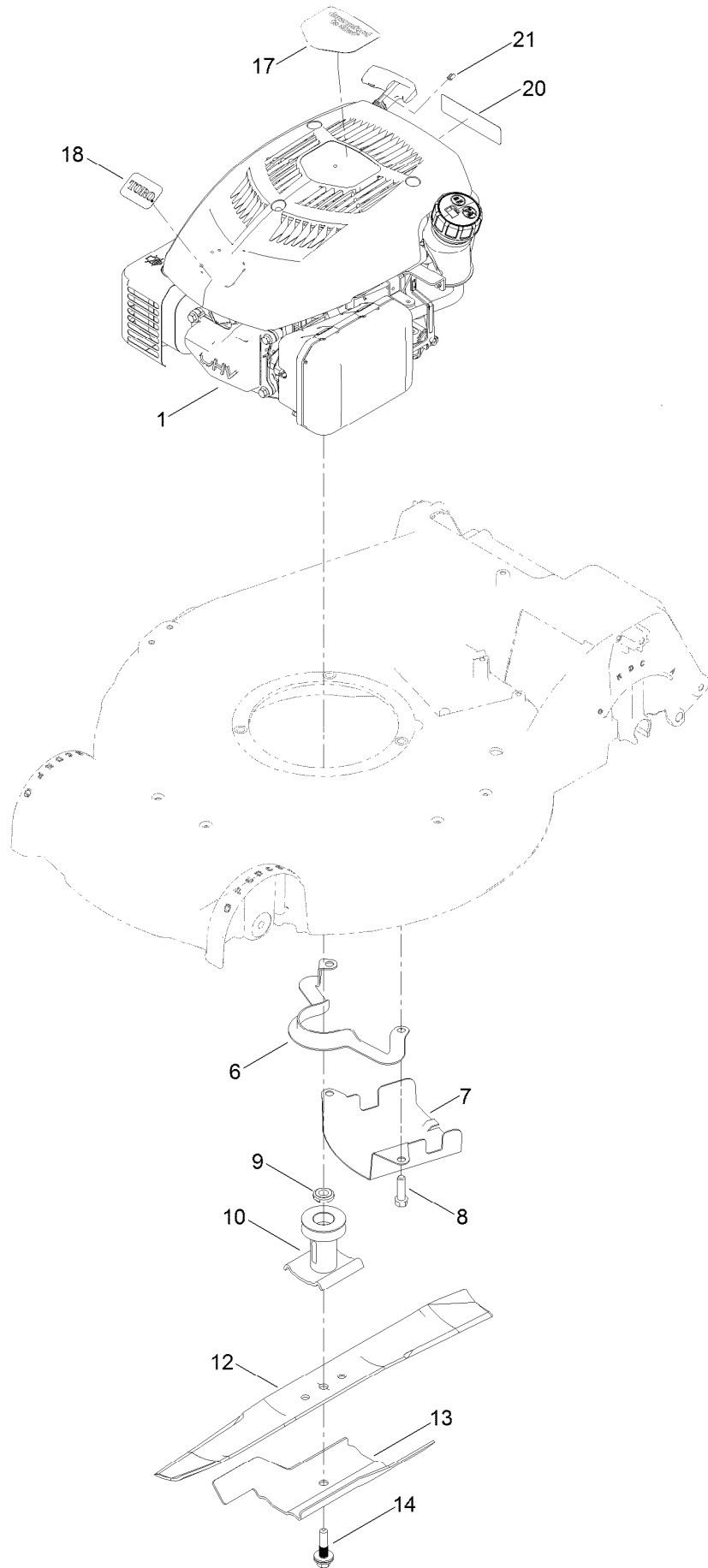
# Bag Assembly



## Bag Assembly (continued)

<i>Ref.</i>	<i>Part Number</i>	<i>Qty.</i>	<i>Description</i>
1	132-4529-03	1	Bag Frame ASM
2	114-2664	1	Grass Bag ASM

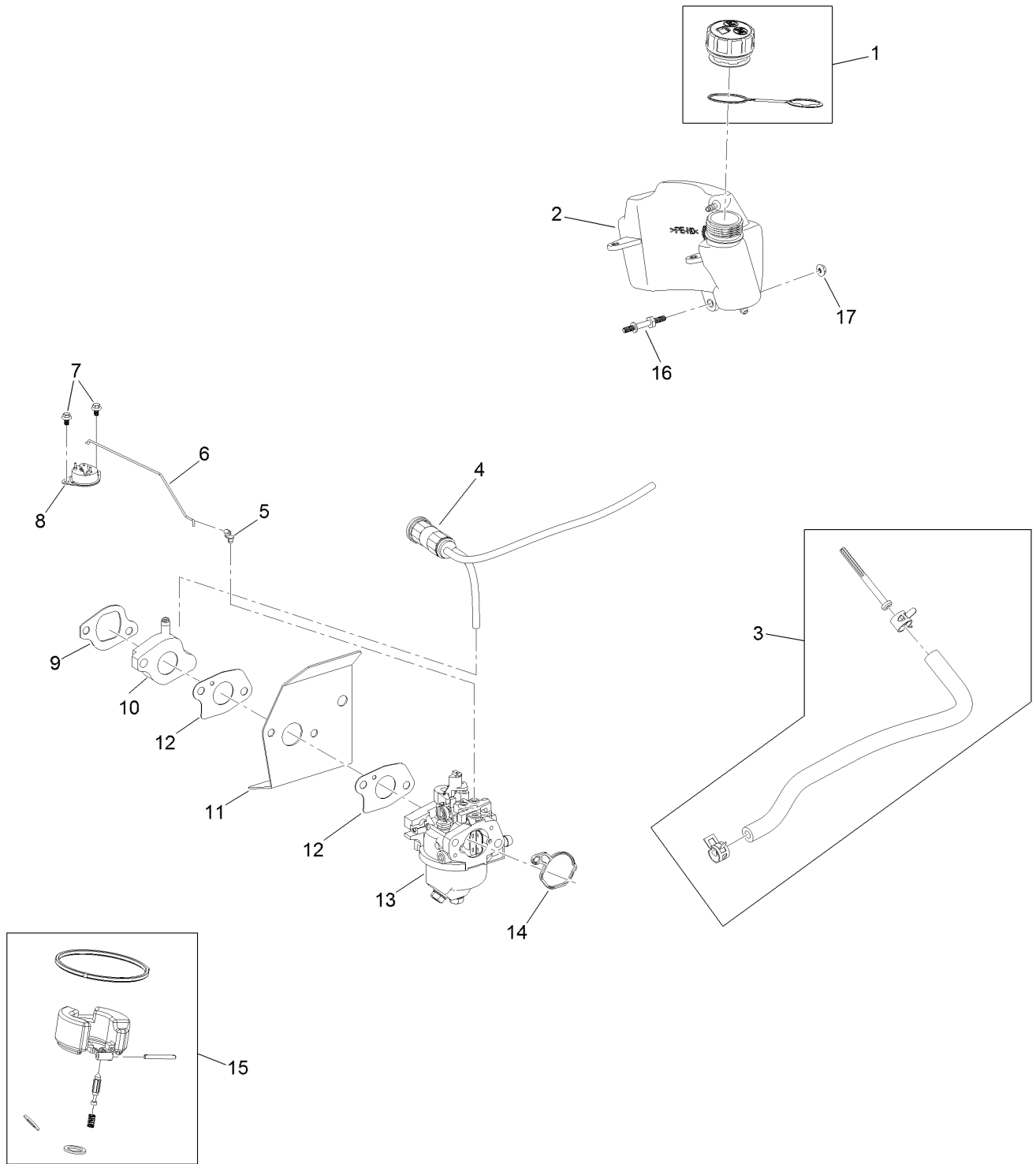
# Engine and Blade Assembly



## Engine and Blade Assembly (continued)

<i>Ref.</i>	<i>Part Number</i>	<i>Qty.</i>	<i>Description</i>	<i>Ref.</i>	<i>Part Number</i>	<i>Qty.</i>	<i>Description</i>
1	136-7857	1	Engine-1P65F-2	13	105-6848-03	1	Accelerator-Blade
6	108-8110-03	1	Guide-Belt	14	125-2466	1	Bolt-Blade
7	107-7489-03	1	Shield-Grass	17	136-9054	1	Decal-Shroud
8	95-1727	3	Screw-Taptite	18	136-5863	1	Decal
9	106-3999	1	Spacer-Driver	20	133-8062	1	Decal-Arrestor, Spark
10	106-3987	1	Driver-Blade	21	2210-316	1	Stop-Rope
12	133-8183-03	1	Blade-21In, Recycling				

# Fuel System Assembly

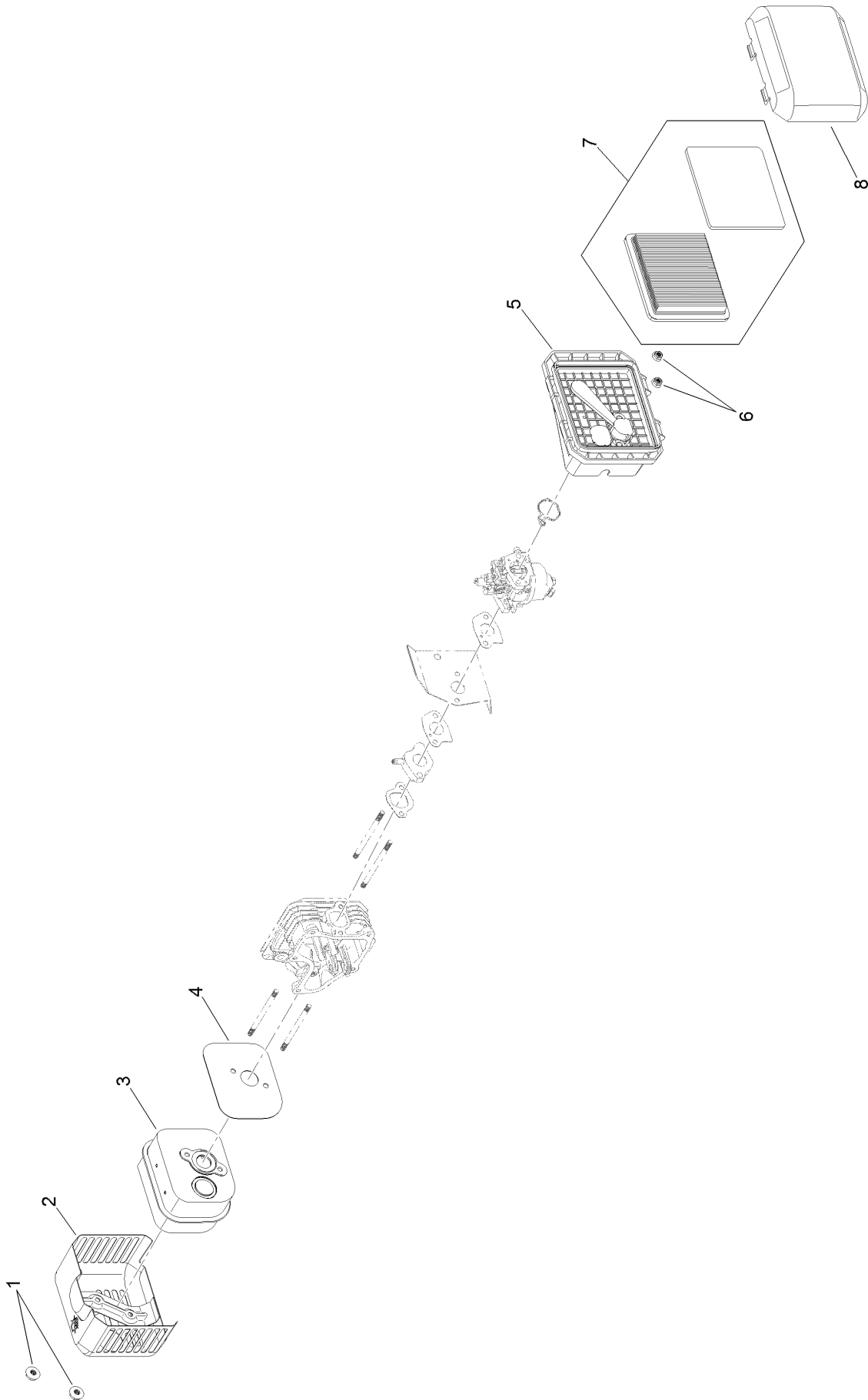


## Fuel System Assembly (continued)

<i>Ref.</i>	<i>Part Number</i>	<i>Qty.</i>	<i>Description</i>	<i>Ref.</i>	<i>Part Number</i>	<i>Qty.</i>	<i>Description</i>
1	136-7875	1	Cap-Fuel, Sealed	10	133-9902	1	Spacer-Carburetor
2	133-9888	1	Tank-Fuel	11	133-9901	1	Insulator-Carburetor
3	121-4167	1	Fuel Line Kit	12	121-4184	2	Gasket-Carburetor
4	133-9874	1	Canister-Carbon, 19 Cc	13	133-9900	1	Carburetor
5	120-4451	1	Lock-Throttle	14	133-9899	1	Gasket-Carburetor
6	133-9909	1	Linkage-Choke, Thermal	15	127-9395	1	Internal Carb Service Kit
7	133-9908	2	Screw-HWHTF	16	121-0016	1	Bolt-Stud
8	133-9907	1	Control-Thermal	17	120-4236	1	Nut-Flange
9	121-4183	1	Gasket-Intake	99	133-9943	1	High Altitude Kit ●

● Not illustrated

# Air Intake and Filtration Assembly

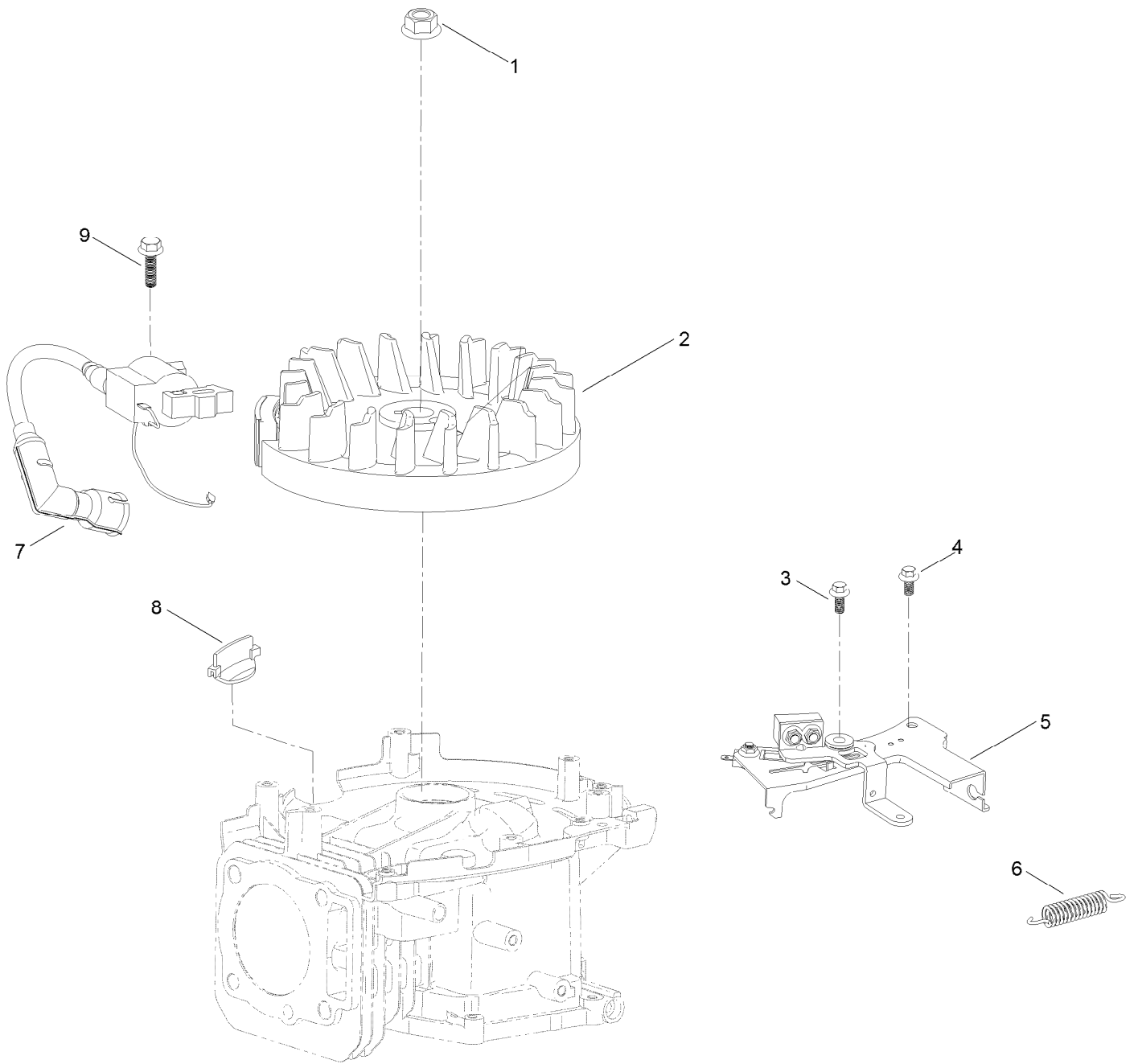




## Air Intake and Filtration Assembly (continued)

<i>Ref.</i>	<i>Part Number</i>	<i>Qty.</i>	<i>Description</i>	<i>Ref.</i>	<i>Part Number</i>	<i>Qty.</i>	<i>Description</i>
1	121-0010	2	Nut-Flange	5	133-9928	1	Air Cleaner Base
2	133-9906	1	Shield-Muffler	6	120-4236	2	Nut-Flange
3	121-0166	1	Muffler ASM	7	119-1909	1	Air Filter And Prefilter Kit
4	121-0034	1	Gasket-Exhaust	8	121-0364	1	Cover-Cleaner, Air

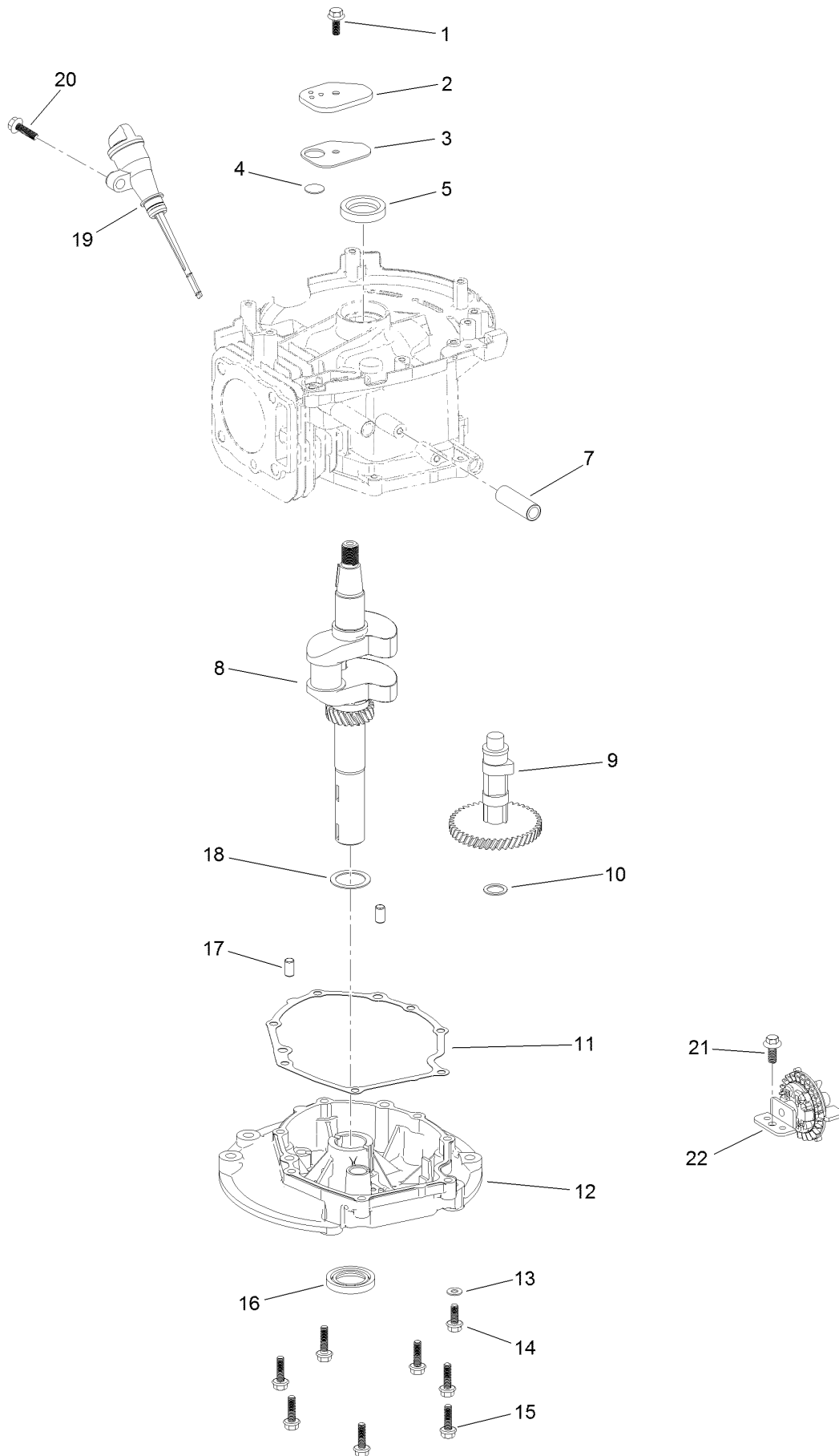
# Fly Wheel Assembly



## Fly Wheel Assembly (continued)

<i>Ref.</i>	<i>Part Number</i>	<i>Qty.</i>	<i>Description</i>	<i>Ref.</i>	<i>Part Number</i>	<i>Qty.</i>	<i>Description</i>
1	121-0047	1	Nut-Flange	6	133-9890	1	Spring-Brake
2	139-0618	1	Flywheel	7	136-7870	1	Ignition Coil ASM
3	121-0007	1	Bolt-Flange	8	133-9881	1	Guard-Flywheel
4	120-4232	1	Screw-HHF	9	120-4225	1	Screw-HHF
5	136-7872	1	Brake ASM				

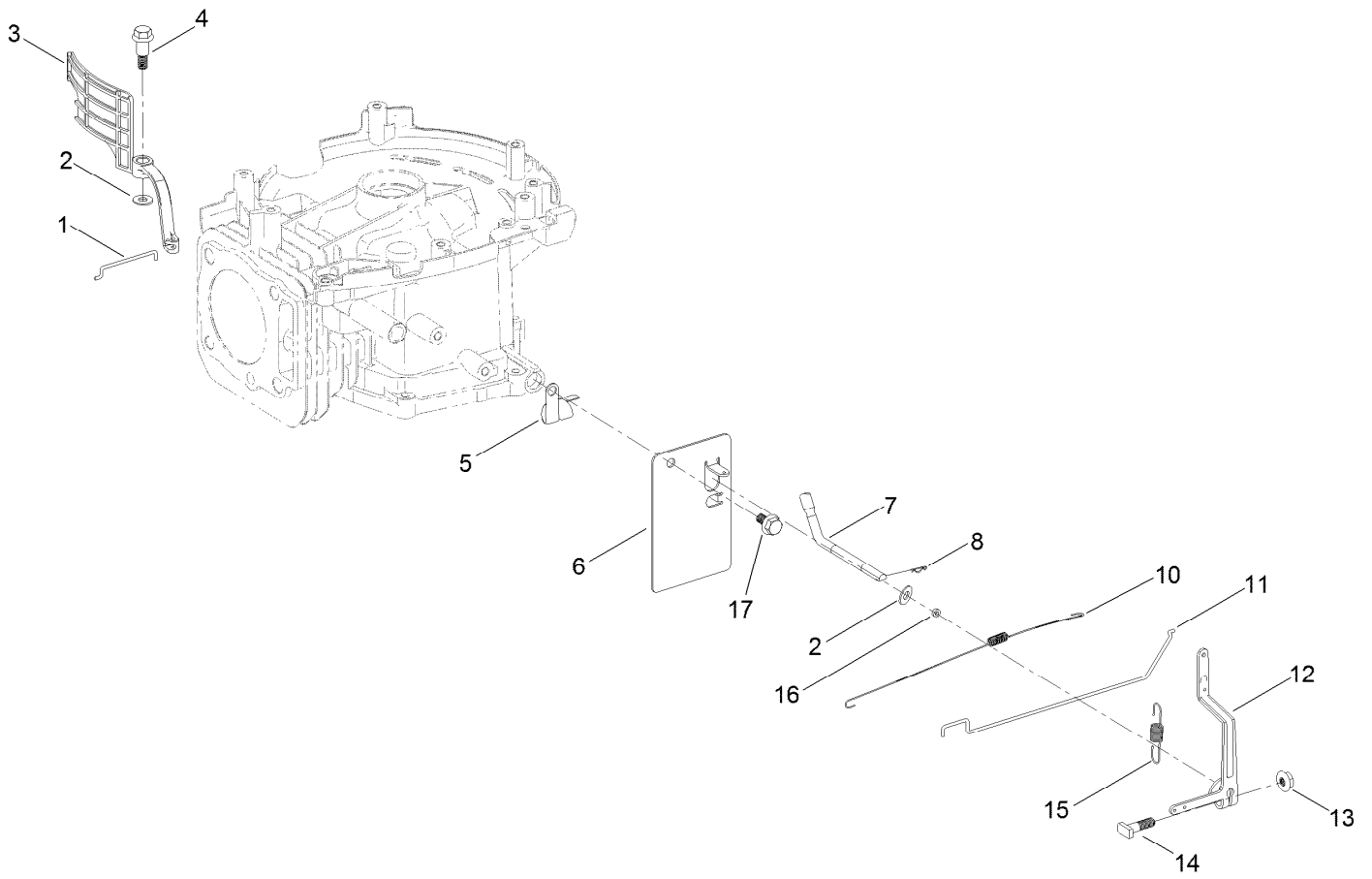
# Crankcase Assembly



## Crankcase Assembly (continued)

<i>Ref.</i>	<i>Part Number</i>	<i>Qty.</i>	<i>Description</i>	<i>Ref.</i>	<i>Part Number</i>	<i>Qty.</i>	<i>Description</i>
1	120-4216	1	Screw-HHF	13	121-0048	1	Washer-Plain
2	133-9882	1	Cover-Breather	14	121-0030	1	Screw-HHF
3	133-9883	1	Gasket-Cover, Breather	15	120-4223	7	Screw-HHF
4	133-9884	1	Valve-Breather	16	121-0022	1	Seal-Oil
5	121-0019	1	Seal-Oil	17	121-0054	2	Pin-Dowel
7	133-9911	1	Tube-Breather	18	136-7863	1	Washer-Flat
8	133-9894	1	Crankshaft ASM	19	133-9886	1	Dipstick And Fill Tube Kit
9	121-4174	1	Camshaft ASM	20	121-0007	1	Bolt-Flange
10	121-0051	1	Washer-Flat	21	121-0369	1	Screw-HWH, Thd Form
11	133-9895	1	Gasket-Cover, Case	22	136-7864	1	Governor Gear ASM
12	133-9897	1	Cover-Crankcase				

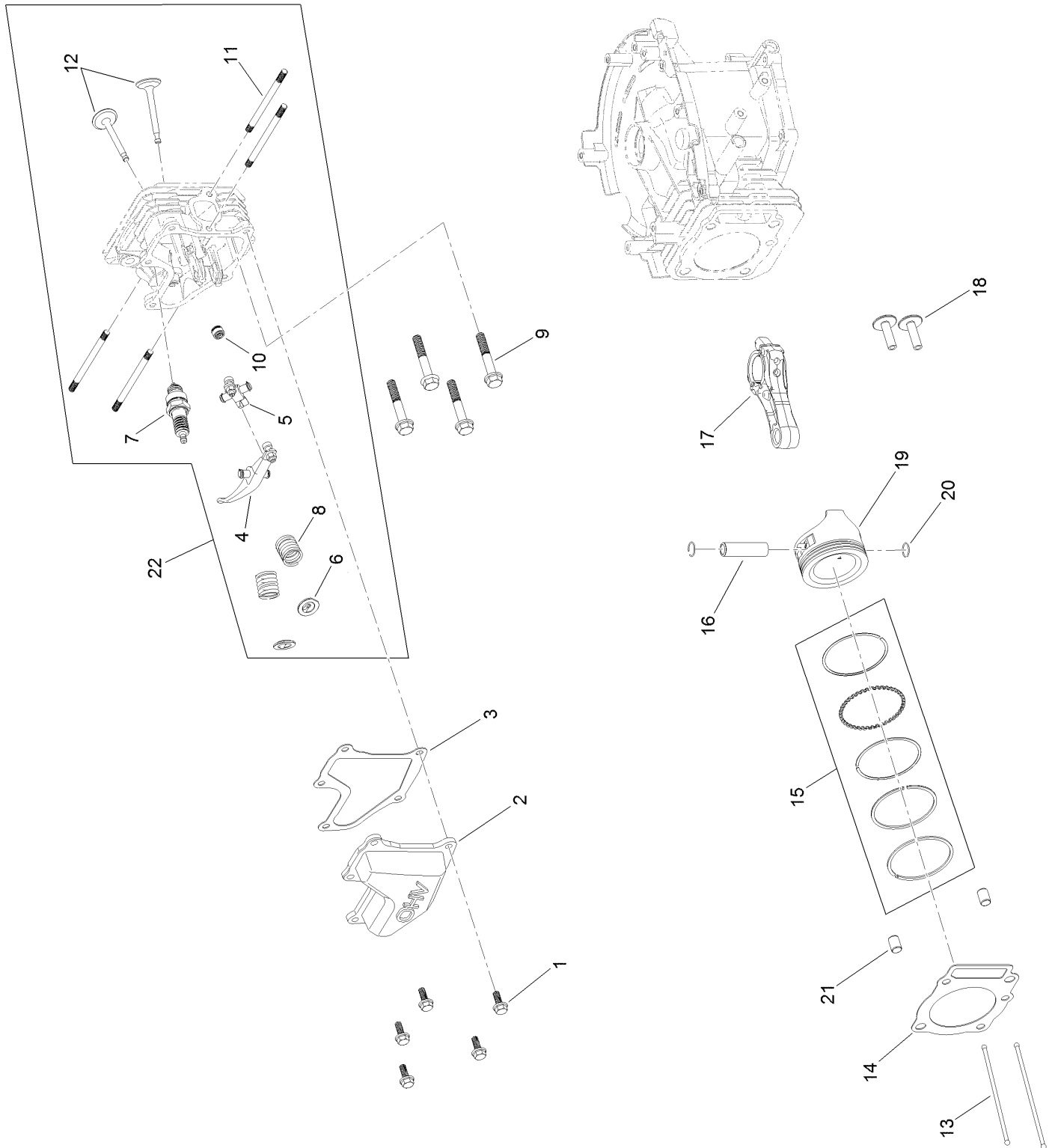
# Governor Assembly



## Governor Assembly (continued)

<i>Ref.</i>	<i>Part Number</i>	<i>Qty.</i>	<i>Description</i>	<i>Ref.</i>	<i>Part Number</i>	<i>Qty.</i>	<i>Description</i>
1	133-9880	1	Linkage-Choke	10	121-0023	1	Spring-Return, Throttle
2	136-7866	2	Washer-Flat	11	133-9892	1	Rod-Governor
3	133-9879	1	Air Vane-Autochoke	12	121-0028	1	Arm-Governor
4	127-9196	1	Screw-Shoulder, HWH	13	120-4236	1	Nut-Flange
5	121-0017	1	Clip-Harness, Wire	14	120-4238	1	Bolt-Arm, Governor
6	133-9891	1	Plate-Control, Throttle	15	133-9893	1	Spring-Governor
7	136-7865	1	Arm-Governor	16	121-0021	1	Seal-Oil
8	120-4256	1	Pin-Hair	17	120-4216	1	Screw-HHF

# Piston and Cylinder Head Assembly

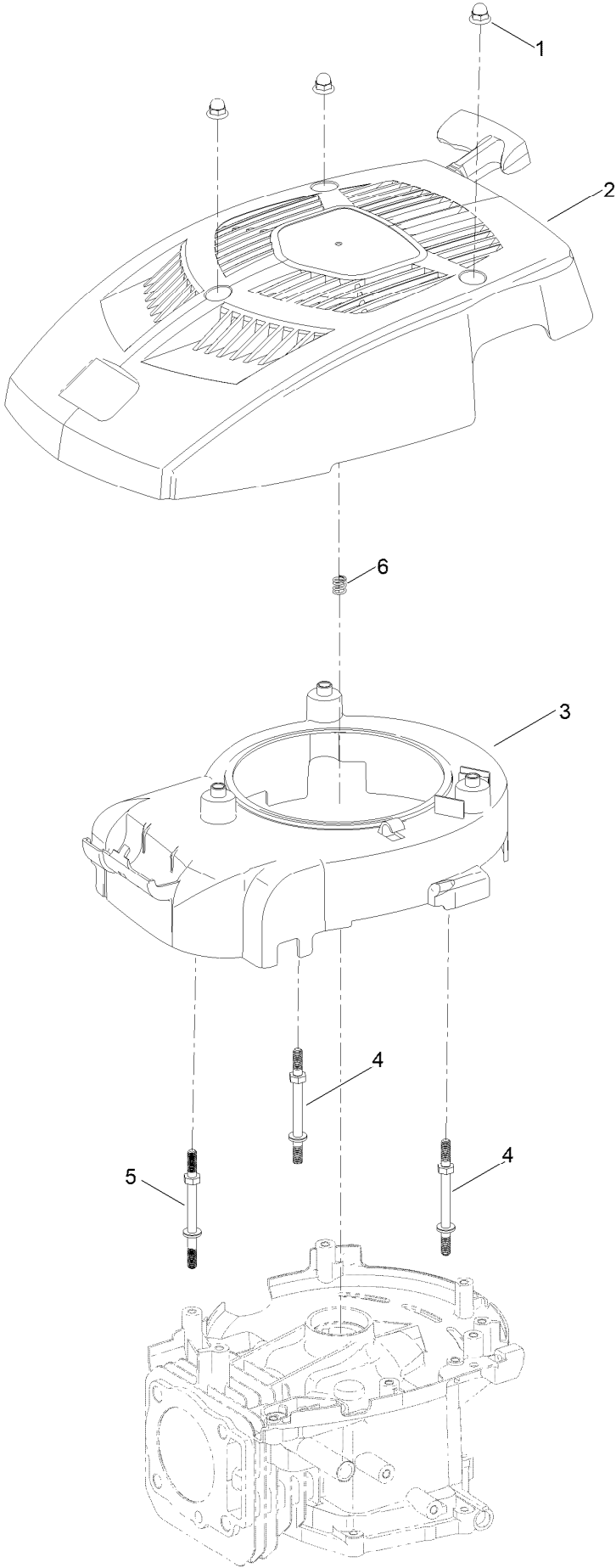




## Piston and Cylinder Head Assembly (continued)

<i>Ref.</i>	<i>Part Number</i>	<i>Qty.</i>	<i>Description</i>	<i>Ref.</i>	<i>Part Number</i>	<i>Qty.</i>	<i>Description</i>
1	120-4232	5	Screw-HHF	12	121-4192	1	Valve Set
2	133-9905	1	Cover-Valve	13	121-4193	2	Rod-Push
3	133-9904	1	Gasket-Cover, Valve	14	133-9910	1	Gasket-Head
4	136-7868	1	Exhaust Rocker Arm ASM	15	121-4171	1	Piston Ring Set
5	136-7869	1	Intake Rocker Arm ASM	16	120-4467	1	Pin-Piston
6	120-4474	2	Retainer-Valve, Spring	17	120-4469	1	Connecting Rod ASM
7	121-0187	1	Spark Plug	18	120-4477	2	Tappet-Valve
8	120-4473	2	Spring-Valve	19	121-4173	1	Piston
9	121-0043	4	Bolt-Flange	20	121-0052	2	Clip-Pin, Wrist
10	121-4202	1	Seal-Stem, Valve	21	121-0053	2	Pin-Dowel
11	121-0045	4	Stud-Exhaust	22	136-7890	1	Complete Head ASM

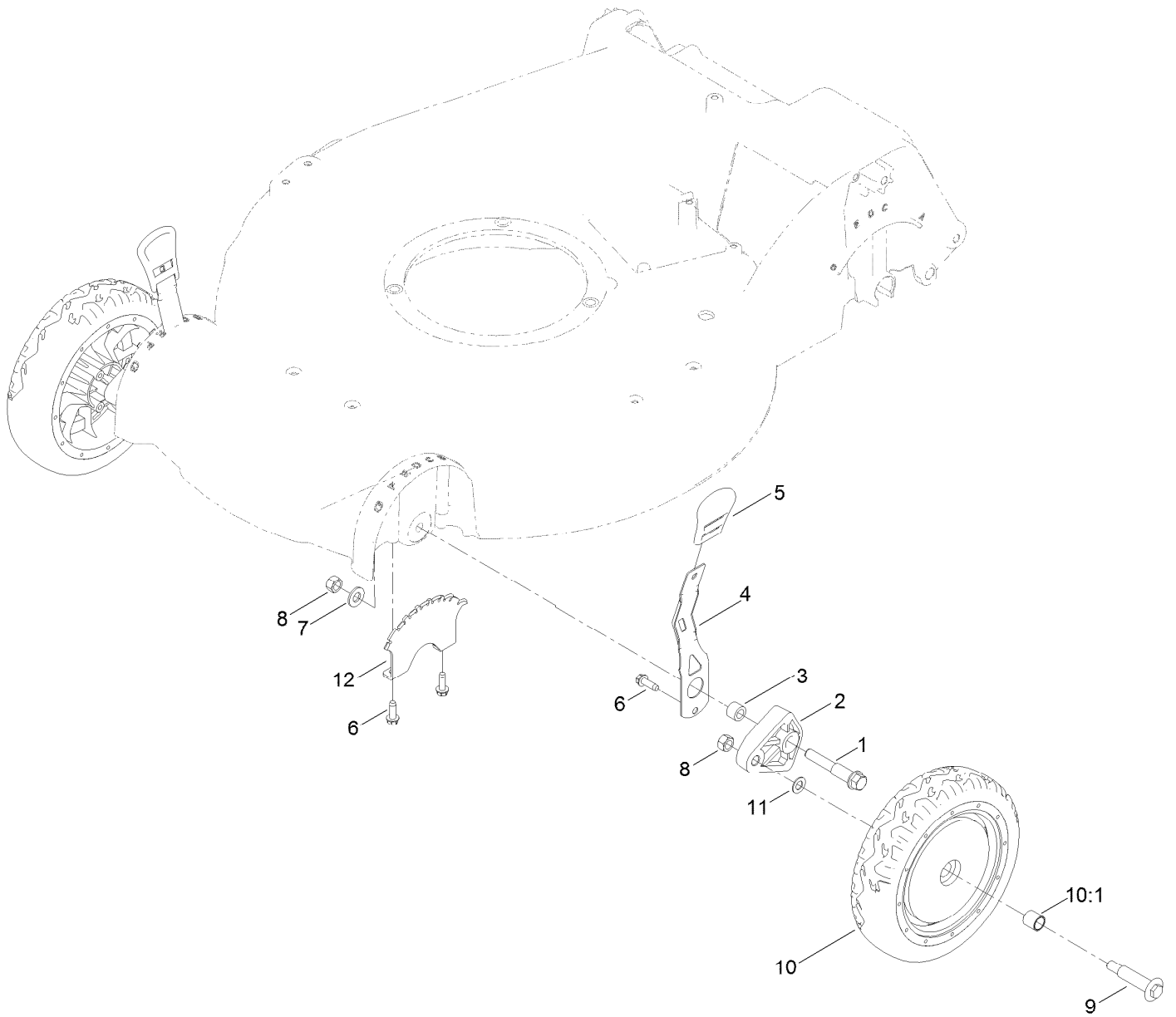
# Blower Housing Assembly



## Blower Housing Assembly (continued)

<i>Ref.</i>	<i>Part Number</i>	<i>Qty.</i>	<i>Description</i>	<i>Ref.</i>	<i>Part Number</i>	<i>Qty.</i>	<i>Description</i>
1	127-9115	3	Nut-Acorn	4	133-9877	2	Stud-Shroud
2	133-9857	1	Recoil Shroud ASM	5	133-9878	1	Stud-Shroud
2	133-9922	1	Recoil Shroud ASM	6	136-7770	1	Spring-Compression, Recoil
3	136-7867	1	Shroud-Fan				

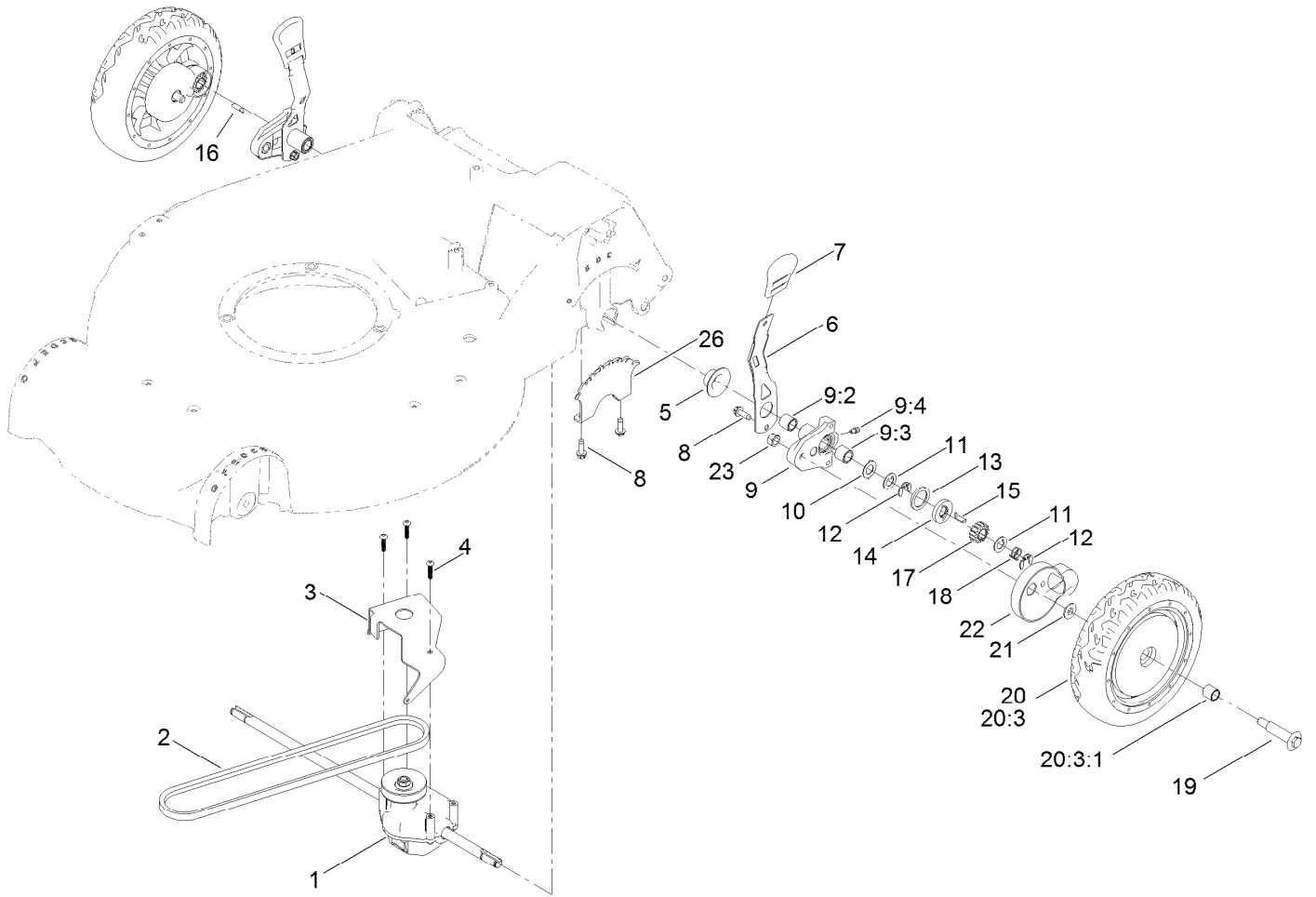
# Front Wheel and Height-of-Cut Assembly



## Front Wheel and Height-of-Cut Assembly (continued)

<i>Ref.</i>	<i>Part Number</i>	<i>Qty.</i>	<i>Description</i>	<i>Ref.</i>	<i>Part Number</i>	<i>Qty.</i>	<i>Description</i>
1	114-3467	2	Screw-Shoulder	8	125-5069	4	Nut-Hex
2	107-7492	2	Arm-Pivot	9	92-1057	2	Bolt-Shoulder
3	52-2480	2	Spacer-Wheel	10	107-3708	2	Wheel ASM
4	107-7491	2	Arm-Spring	10:1	27-6250	2	Bushing
5	110-0549	2	Knob-HOC	11	40-1940	2	Washer
6	49-2040	6	Screw-HWHTF	12	139-1669-05	2	Plate-HOC
7	3256-24	2	Washer-Flat				

# Rear Wheel and Hight-of-Cut Assembly

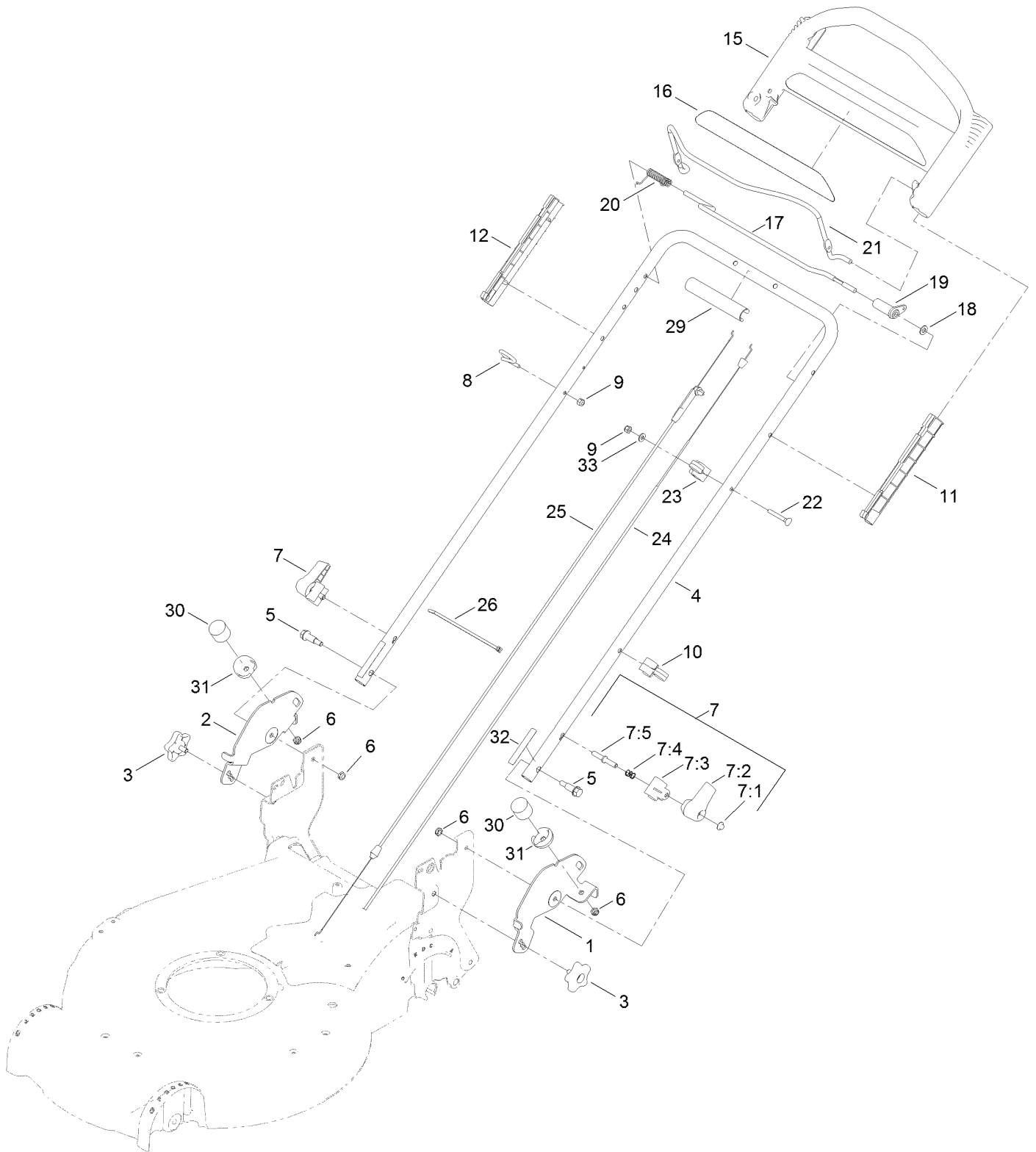


## Rear Wheel and Hight-of-Cut Assembly (continued)

<i>Ref.</i>	<i>Part Number</i>	<i>Qty.</i>	<i>Description</i>	<i>Ref.</i>	<i>Part Number</i>	<i>Qty.</i>	<i>Description</i>
1	121-9184	1	Transmission ASM	13	65-4710	2	Ring-Friction
2	115-4669	1	Belt-V	14	65-4760	2	Washer-Clutch
3	114-7977-03	1	Bracket-Transmission	15	66-6050	1	Key-Rocking, LH
4	108-7476	3	Screw-Plastite	16	66-6040	1	Key-Rocking, RH
5	138-3235	2	Cap-End	17	65-4750	2	Gear-Pinion
6	107-7491	2	Arm-Spring	18	65-4720	2	Spring-Compression
7	110-0549	2	Knob-HOC	19	92-1057	2	Bolt-Shoulder
8	49-2040	6	Screw-HWHTF	20	107-3709	2	Wheel Gear ASM
9	100-8774	2	Pivot Arm ASM	20:3		1	Wheel ASM ●
9:2	47-2900	1	Bushing	20:3:1	27-6250	2	Bushing
9:3	70-9760	1	Bushing	21	74-1671	2	Spacer-Cover, Wheel
9:4	302-56	1	Fitting-Grease	22	74-1660	2	Cover-Wheel
10	65-4730	2	Washer-Arm, Pivot	23	125-5069	2	Nut-Hex
11	65-4740	4	Washer-Thrust, Keyed	26	139-1669-05	2	Plate-HOC
12	65-2720	4	Ring-Retaining, Clip				

● Not serviced separately

# Handle Assembly





## Handle Assembly (continued)

<i>Ref.</i>	<i>Part Number</i>	<i>Qty.</i>	<i>Description</i>	<i>Ref.</i>	<i>Part Number</i>	<i>Qty.</i>	<i>Description</i>
1	137-4845-03	1	Bracket-Float, LH	15	104-8678	1	Handle-Control
2	137-4846-03	1	Bracket-Float, RH	16	117-1019	1	Decal
3	137-4844	2	Knob-Handle	17	136-7150	1	Bar-Control, Traction
4	137-4793-05	1	Handle-Upper	18	3256-23	1	Washer-Plain
5	130-2344	2	Bolt-Shoulder	19	99-1589	1	Lever-Traction
6	3296-47	4	Nut-Lock, NI	20	136-7166	1	Spring-Torsion
7	115-2860	2	Quick Release ASM	21	131-0880-03	1	Bail-Brake
7:1	32112-11	1	Nut-Push	22	95-4453	1	Screw
7:2	138-3248	1	Lever-Release	23	136-5864	1	Anchor-Cable
7:3	138-3253	1	Anchor-Spring	24	117-9389	1	Cable-Traction
7:4	115-2858	1	Spring-Compression	25	117-5900	1	Cable-Brake
7:5	138-3243	1	Rod-Release	26	614249	3	Tie-Cable
8	86-9671	1	Guide-Rope	29	131-4551	1	Handle-Cover
9	3296-73	2	Nut-Lock, NI	30	137-4803	2	Bumper-Rubber
10	114-7988	1	Guide-Cable	31	137-9100	2	Cover-Bumper
11	105-6842	1	Guide-LH	32	137-4801	2	Decal-Isoflex
12	105-6841	1	Guide-RH	33	3256-1	1	Washer-Flat

# Attachments and Accessories

## For 21381 Super Recycler Lawn Mower

<b>Product Name</b>	<b>Model/Part</b>
Bagging Blade .....	108-3759-03
All Season Synthetic Oil (10W30, QT) .....	117-0066
Fuel Stabilizer .05 oz .....	130-2393
4-Cycle Fuel, Snow And Lawn 32oz Can .....	131-3823
Traction Assist Handle Kit .....	131-4590
Toro Premium Fuel Treatment 12 Oz Bottle .....	131-6572
High Altitude Kit .....	133-9943
Engine Maintenance Kit.....	20240
Lawn Striping Kit with 22in Roller.....	20601
Toro 4-Cycle SAE 30 Oil (32oz Bottle) .....	38903
Summer Oil-Case of 24 (20oz Bottles).....	38916
Bag-Walk Behind (Toro).....	490-7318
Lawnmower Cover.....	490-7462
Bagger Kit.....	59165

**Notes:**



**Count on it.**