

Heavy Duty Air Cleaner Kit

Model No. 135-6195

Installation Instructions

Installation

Loose Parts

Use the chart below to verify that all parts have been shipped.

Description	Qty.	Use
Decal	1	Install the decal.
Carburetor kit Intake manifold Linkage clip	1 1 1	Replace the carburetor.
Filter base Bolt Nut Strap Clevis pin Cotter pin Hose Hose clamp (small) Hose clamp (large) Rain cap Hose clamp (large)	1 1 1 2 2 2 1 1 1 1 1 1	Install the filter Base, hose, and air cleaner assembly.

1. Park the machine on a level surface and engage the parking brake.
2. Shut off the engine and remove the key.
3. Allow the engine to cool before installing this kit.

Sevicing the Air Cleaner

Replace the filter every 200 hours or more often in dirty or dusty conditions (Figure 1).

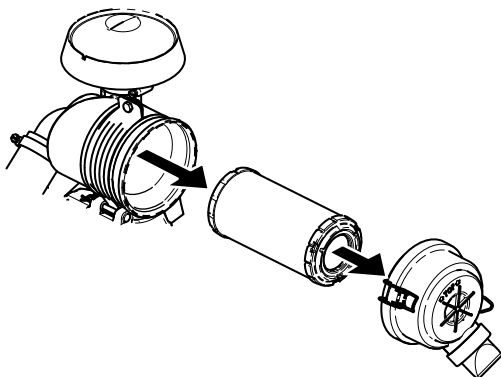


Figure 1

g242807

Installing the Decal

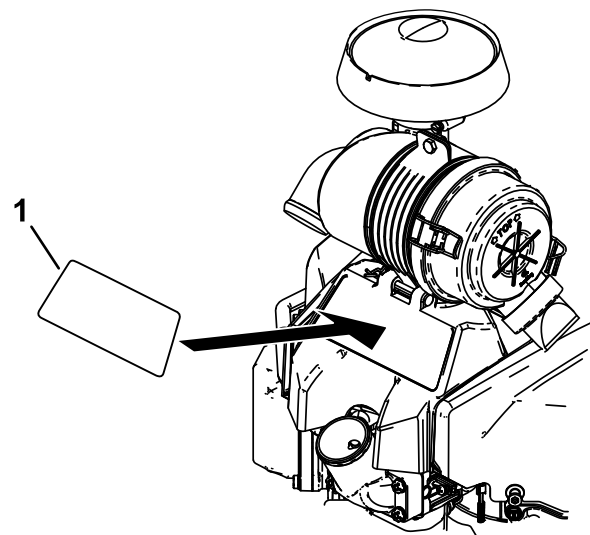


Figure 2

g273986

1. Decal



Removing the Existing Manifold and the Shroud

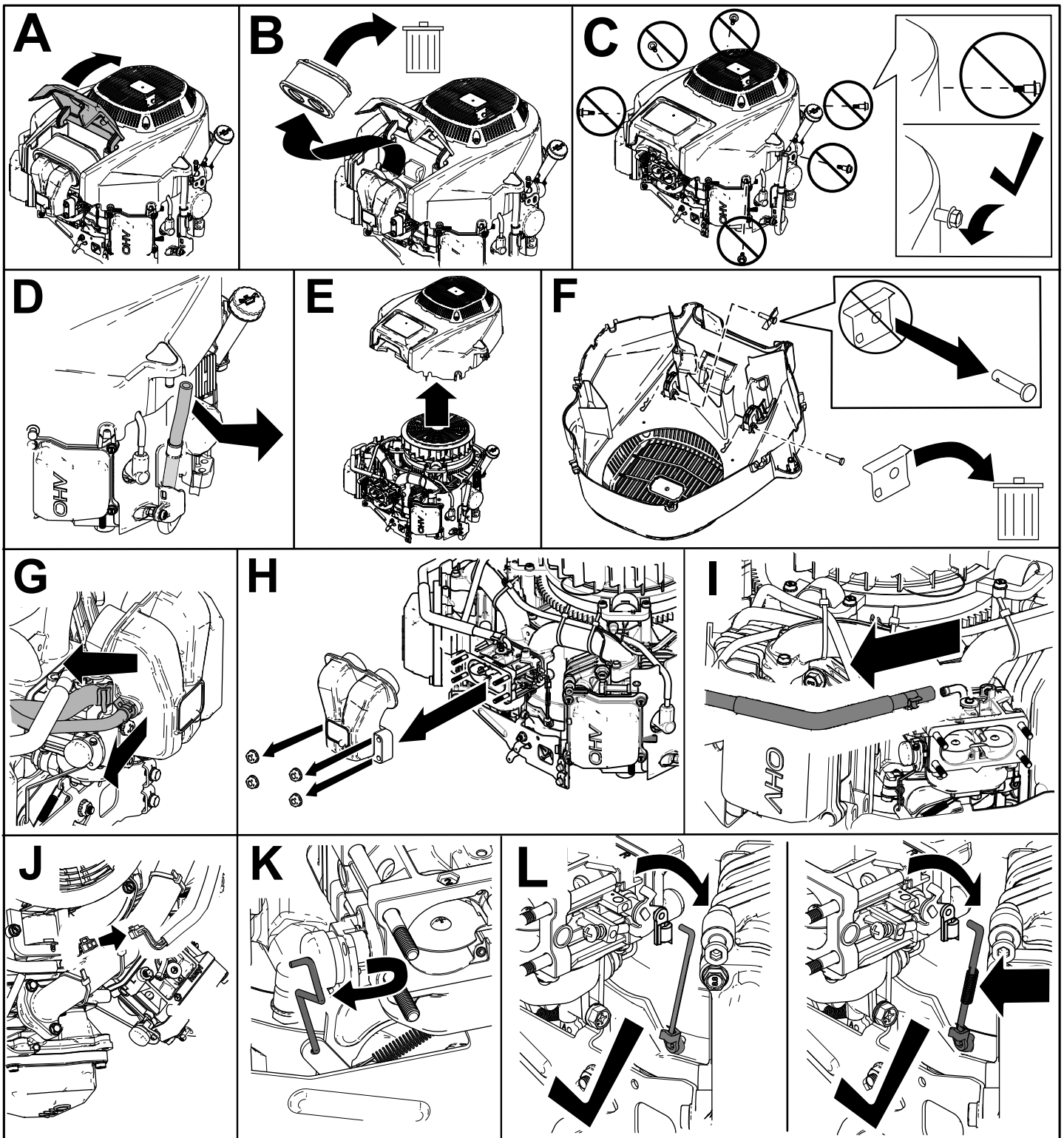


Figure 3

g240294

Replacing the Carburetor

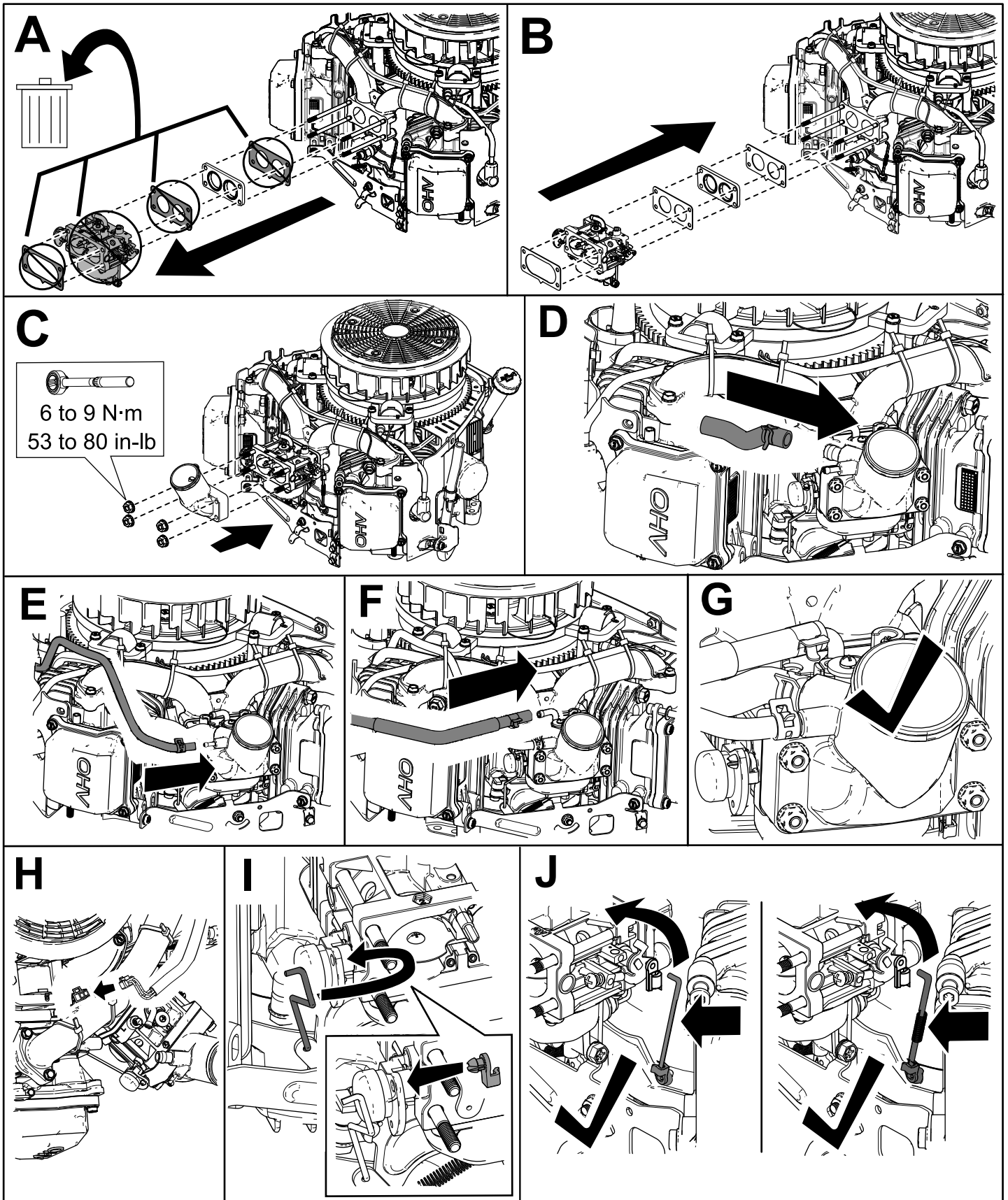


Figure 4

g240291

Installing the Filter Base, Hose, and Air Cleaner Assembly

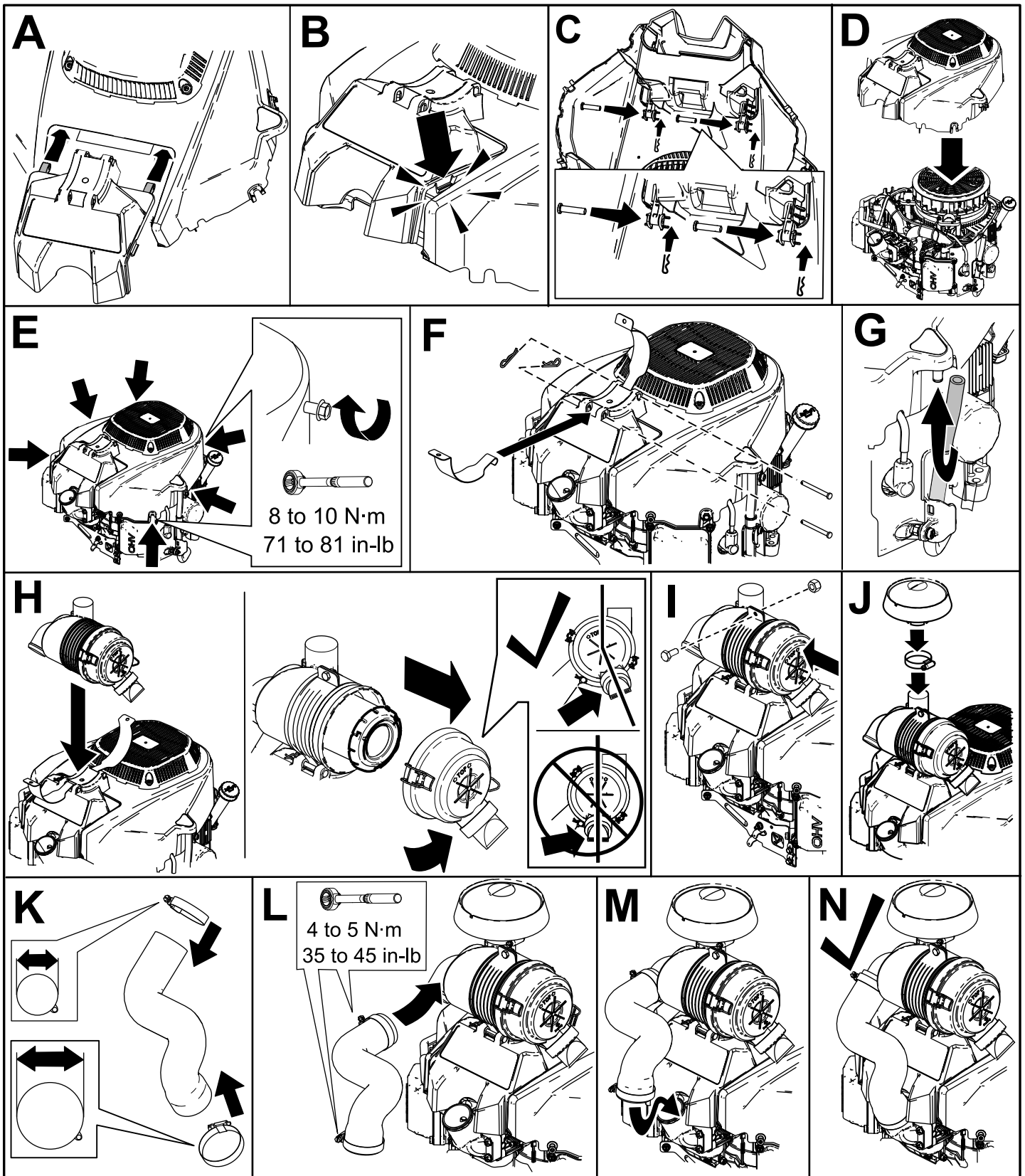


Figure 5