



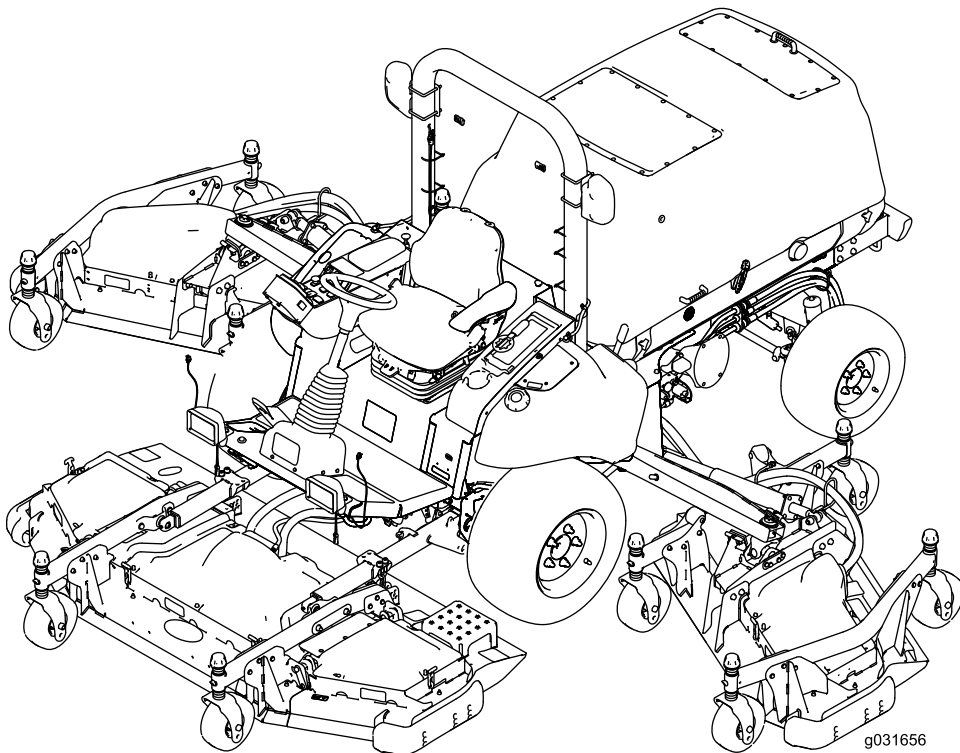
**Count on it.**

**Operator's Manual**

# Groundsmaster® 5900 or 5910 Rotary Mower

Model No. 31698—Serial No. 401420001 and Up

Model No. 31699—Serial No. 401420001 and Up



This product complies with all relevant European directives; for details, please see the separate product specific Declaration of Conformity (DOC) sheet.

It is a violation of California Public Resource Code Section 4442 or 4443 to use or operate the engine on any forest-covered, brush-covered, or grass-covered land unless the engine is equipped with a spark arrester, as defined in Section 4442, maintained in effective working order or the engine is constructed, equipped, and maintained for the prevention of fire.

The enclosed engine owner's manual is supplied for information regarding the US Environmental Protection Agency (EPA) and the California Emission Control Regulation of emission systems, maintenance, and warranty. Replacements may be ordered through the engine manufacturer.

**⚠ WARNING**

**CALIFORNIA  
Proposition 65 Warning**

**Diesel engine exhaust and some of its constituents are known to the State of California to cause cancer, birth defects, and other reproductive harm.**

**Battery posts, terminals, and related accessories contain lead and lead compounds, chemicals known to the State of California to cause cancer and reproductive harm. Wash hands after handling.**

# Introduction

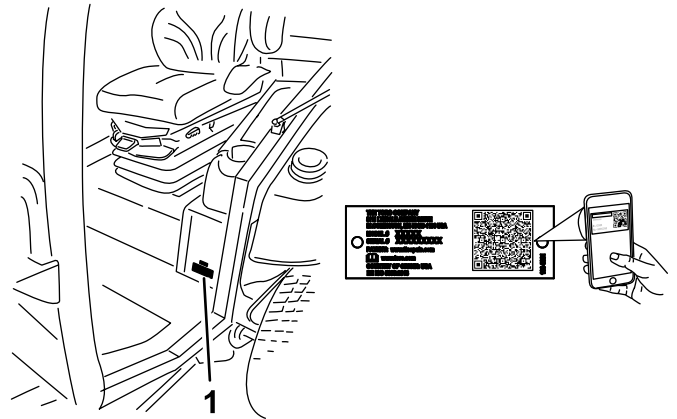
This machine is a multi-purpose machine intended to be used by professional, hired operators in commercial applications. It is designed primarily for mowing grass on well-maintained lawns in parks, golf courses, sports fields, along roadways, and on commercial grounds.

**Important:** To maximize the safety, performance, and proper operation of this machine, carefully read and fully understand the contents of this *Operator's Manual*. Failing to follow these operating instructions or to receive proper training may result in injury. For more information on safe operating practices, including safety tips and training materials, go to [www.Toro.com](http://www.Toro.com).

Whenever you need service, genuine Toro parts, or additional information, contact an Authorized Service

Dealer or Toro Customer Service and have the model and serial numbers of your product ready. **Figure 1** identifies the location of the model and serial numbers on the product. Write the numbers in the space provided.

**Important:** With your mobile device, you can scan the QR code on the serial number decal (if equipped) to access warranty, parts, and other product information.



**Figure 1**

1. Model and serial number location

Model No. \_\_\_\_\_

Serial No. \_\_\_\_\_

This manual identifies potential hazards and has safety messages identified by the safety-alert symbol (**Figure 2**), which signals a hazard that may cause serious injury or death if you do not follow the recommended precautions.



**Figure 2**

1. Safety-alert symbol

This manual uses 2 words to highlight information. **Important** calls attention to special mechanical information and **Note** emphasizes general information worthy of special attention.

# Contents

Safety .....	4	Pushing or Towing the Machine .....	56
General Safety .....	4	Identifying the Tie-Down Points .....	57
Engine-Emission Certification.....	5	Hauling the Machine .....	57
Safety and Instructional Decals .....	5	Maintenance .....	58
Setup .....	16	Maintenance Safety.....	58
1 Removing the Wing-Deck-Shipping Straps and Braces.....	16	Recommended Maintenance Schedule(s) .....	58
2 Lowering the Front-Deck Winglets .....	16	Daily Maintenance Checklist.....	59
3 Checking the Tire and Caster Wheel Pressure .....	18	Pre-Maintenance Procedures .....	61
4 Leveling the Front, Center Deck.....	18	Using the Battery-Disconnect Switch .....	61
5 Leveling the Winglet Decks to the Front, Center Deck.....	18	Raising the Machine .....	61
6 Checking the Fluid Levels .....	19	Removing and Installing the Inner-Wing-Deck Covers.....	62
7 Greasing the Machine.....	19	Lubrication .....	63
Product Overview .....	20	Greasing the Bearings and Bushings .....	63
Controls .....	21	Engine Maintenance .....	65
Cab Controls.....	22	Engine Safety .....	65
Specifications .....	24	Servicing the Air Cleaner .....	65
Attachments/Accessories .....	25	Servicing the Engine Oil.....	67
Before Operation .....	26	Adjusting the Engine-Valve Clearance .....	69
Before Operation Safety .....	26	Cleaning the Engine EGR Cooler.....	69
Checking the Engine-Oil Level.....	26	Inspecting the Engine Crankcase-Breather System.....	69
Checking the Cooling Systems .....	26	Checking and Replacing Fuel Hoses and Engine-Coolant Hoses .....	69
Checking the Hydraulic System .....	26	Lapping or Adjusting the Engine Intake and Exhaust Valves .....	69
Filling the Fuel Tank.....	26	Inspecting and Cleaning Engine-Emission-Control Components and Turbocharger .....	69
Checking the Tire Pressure.....	28	Servicing the Diesel-Oxidation Catalyst (DOC) and the Soot Filter .....	69
Checking the Caster Wheel Tire Pressure .....	28	Fuel System Maintenance .....	70
Checking the Torque of the Wheel-Lug Nuts .....	28	Servicing the Fuel System .....	70
Adjusting the Height of Cut .....	28	Servicing the Water Separator .....	70
Adjusting the Skids .....	31	Replacing the Fuel Filter Element .....	71
Adjusting the Mower Deck Anti-Scalp Rollers.....	32	Electrical System Maintenance .....	72
Correcting a Mismatch Between the Mower Decks.....	32	Electrical System Safety .....	72
Adjusting the Mirrors.....	34	Locating the Fuses .....	72
Aiming the Headlights.....	34	Checking the Condition of the Batteries.....	73
Checking the Safety-Interlock Switches.....	34	Charging the Batteries .....	74
Checking the Blade Stopping Time .....	35	Jump-Starting the Machine.....	74
During Operation .....	35	Removing the Batteries .....	75
During Operation Safety .....	35	Installing the Batteries .....	77
Starting the Engine .....	37	Drive System Maintenance .....	77
Shutting Off the Engine.....	37	Calibrating the Traction Pedal.....	77
Raising or Lowering the Decks.....	37	Adjusting the Traction-Pedal Angle .....	77
Diesel Particulate Filter Regeneration.....	38	Checking the Rear Wheel Toe-In .....	78
Understanding the Operating Characteristics of the Machine .....	53	Cooling System Maintenance .....	78
Understanding the 12 V and 24 V Electrical Systems .....	53	Cooling System Safety .....	78
Automatic-Reversing Fan Cycle .....	54	Checking the Engine-Cooling System.....	78
Operating Tips .....	54	Cleaning the Cooling Systems .....	79
After Operation .....	55	Changing the Engine-Cooling-System Fluid.....	80
After Operation Safety .....	55	Belt Maintenance .....	82
Understanding the Audible Alarm .....	55	Servicing the 12 V Alternator Belt.....	82
		Servicing the 24 V Alternator Belt and AC Compressor Belt .....	82
		Replacing the Blade-Drive Belts .....	82

# Safety

This machine has been designed in accordance with CEN standard ANSI B71.4-2017 and EN ISO 5395:2013 when the proper CE Kits have been installed, per the Declaration of Conformity.

## General Safety

This product is capable of amputating hands and feet and of throwing objects. Always follow all safety instructions to avoid serious personal injury.

Using this product for purposes other than its intended use could prove dangerous to you and bystanders.

- Read and understand the contents of this *Operator's Manual* before starting the engine.
- Use your full attention while operating the machine. Do not engage in any activity that causes distractions; otherwise, injury or property damage may occur.
- Do not put your hands or feet near moving components of the machine.
- Do not operate the machine without all guards and other safety protective devices in place and working on the machine.
- Keep clear of any discharge opening. Keep bystanders and pets a safe distance away from the machine.
- Keep children out of the operating area. Never allow children to operate the machine.
- Stop the machine, shut off the engine, remove the key, and wait for all moving parts to stop before servicing, fueling, or unclogging the machine.

Improperly using or maintaining this machine can result in injury. To reduce the potential for injury, comply with these safety instructions and always pay attention to the safety-alert symbol, which means Caution, Warning, or Danger—personal safety instruction. Failure to comply with these instructions may result in personal injury or death.

You can find additional safety information where needed throughout this *Operator's Manual*.

Hydraulic System Maintenance .....	84
Hydraulic System Safety.....	84
Checking the Hydraulic Fluid .....	84
Changing the Hydraulic Fluid and Filters.....	85
Checking the Hydraulic Lines and Hoses.....	86
Inspecting the Hydraulic System Test Ports .....	86
Cutting Unit Maintenance .....	86
Pivoting (Tilting) the Front Mower Deck Upright .....	86
Pivoting (Tilting) the Front Mower Deck Down.....	87
Adjusting the Mower-Deck Pitch .....	87
Servicing the Caster-Arm Bushings .....	88
Servicing the Caster Wheels and Bearings.....	89
Blade Maintenance .....	89
Blade Safety .....	89
Checking for a Bent Blade .....	89
Removing and Installing a Blade .....	90
Inspecting and Sharpening a Blade.....	90
Correcting a Mower-Deck Mismatch .....	91
Cab Maintenance .....	91
Cleaning the Cab .....	91
Cleaning the Cab Air Filters .....	91
Cleaning the Cab Pre-Filter .....	92
Cleaning the Air-Conditioning Assembly .....	92
Storage .....	93
Preparing the Machine for Storage .....	93



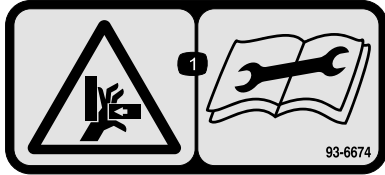
# Engine-Emission Certification

The engine in this machine is EPA Tier 4 Final and EU Stage 3b emissions compliant.

## Safety and Instructional Decals



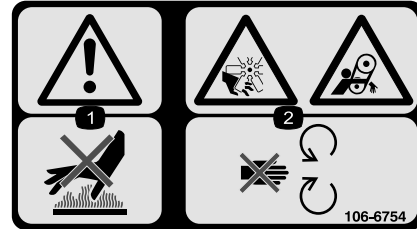
Safety decals and instructions are easily visible to the operator and are located near any area of potential danger. Replace any decal that is damaged or missing.



93-6674

decal93-6674

1. Crushing hazard, hand—read the instructions before servicing or performing maintenance.



106-6754

decal106-6754

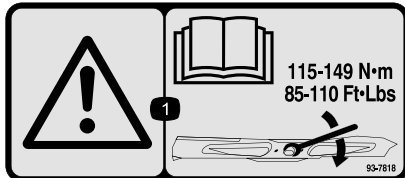
1. Warning—do not touch the hot surface.
2. Cutting/dismemberment hazard, fan; entanglement hazard, belt—stay away from moving parts.



93-6687

decal93-6687

1. Do not step here.



93-7818

decal93-7818

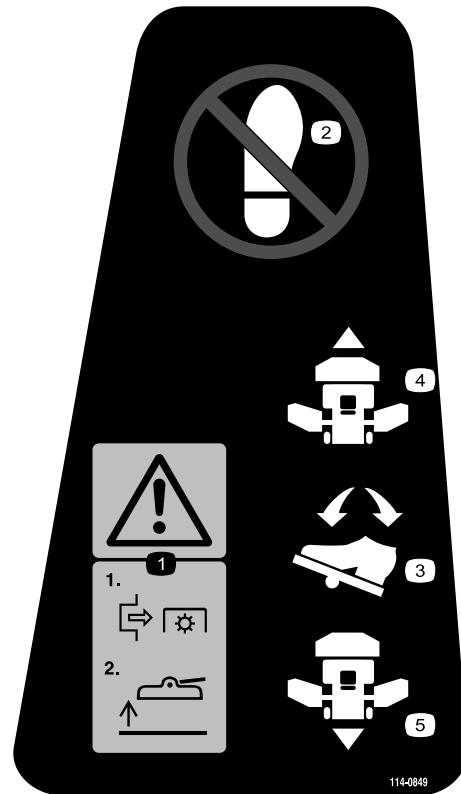
1. Warning—read the *Operator's Manual* for instructions on torquing the blade bolt/nut to 115 to 149 N·m (85 to 110 ft-lb).



93-6686

decal93-6686

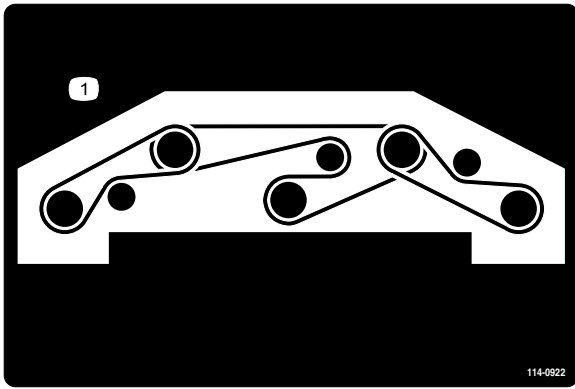
1. Hydraulic fluid
2. Read the *Operator's Manual*.



114-0849

decal114-0849

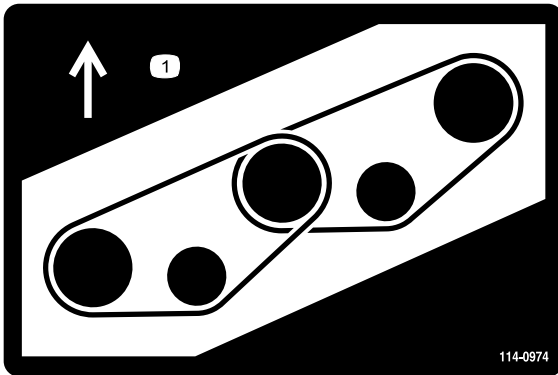
1. Warning—disengage the PTO then raise the deck.
2. No step
3. Traction-control pedal
4. Forward
5. Reverse



114-0922

decal114-0922

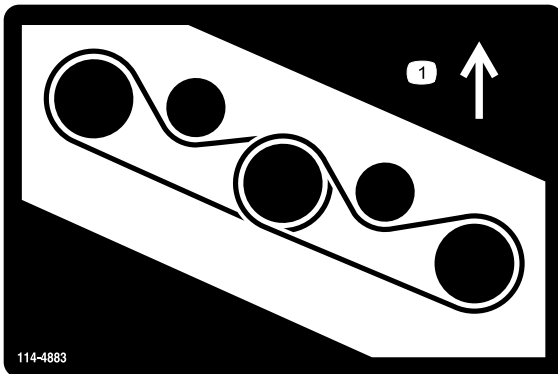
1. Belt routing



114-0974

decal114-0974

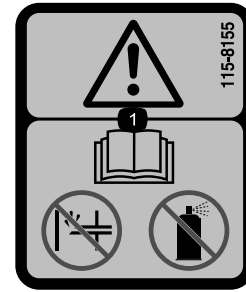
1. Belt routing



114-4883

decal114-4883

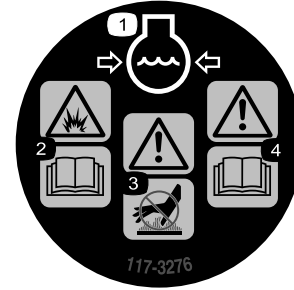
1. Belt routing



115-8155

decal115-8155

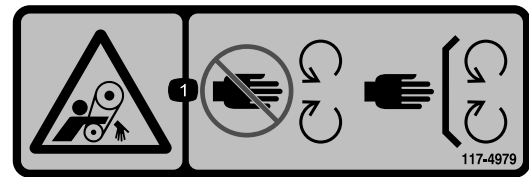
1. Warning—read the *Operator's Manual*, do not prime or use starting fluid.



117-3276

decal117-3276

1. Engine coolant under pressure
2. Explosion hazard—read the *Operator's Manual*.
3. Warning—do not touch the hot surface.
4. Warning—read the *Operator's Manual*.



117-4979

decal117-4979

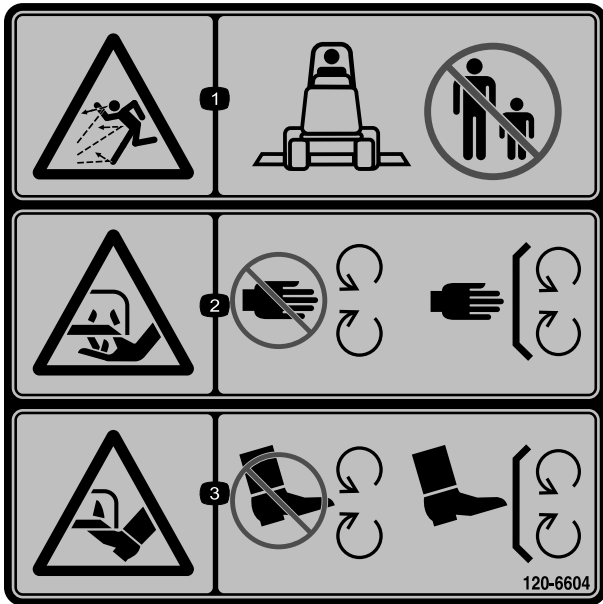
1. Entanglement hazard, belt—stay away from moving parts; keep all guards and shields in place.



117-4766

decal117-4766

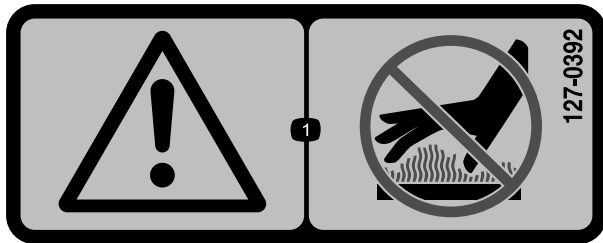
1. Cutting/dismemberment hazard, fan—stay away from moving parts; keep all guards and shields in place.



120-6604

decal120-6604

1. Thrown object hazard—keep bystanders away from the machine.
2. Cutting/dismemberment hazard of hand, mower blade—stay away from moving parts; keep all guards and shields in place.
3. Cutting/dismemberment hazard of foot, mower blade—stay away from moving parts; keep all guards and shields in place.



127-0392

decal127-0392

1. Warning—keep away from hot surfaces.



130-5356

decal130-5356

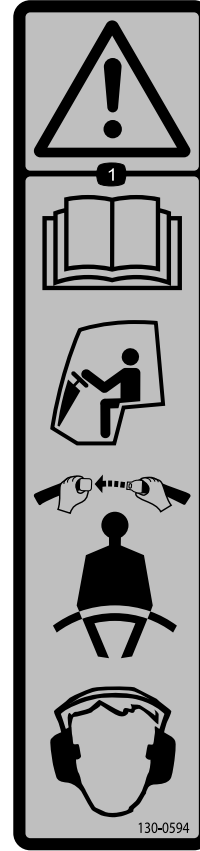
1. Use the foot pedal to move forward or in reverse.

**WARNING:** This product can expose you to chemicals including diesel engine exhaust, which is known to the State of California to cause cancer, and carbon monoxide, which is known to the State of California to cause birth defects or other reproductive harm. For more information go to [www.P65Warnings.ca.gov](http://www.P65Warnings.ca.gov). For more information, please visit [www.toro.com/CAProp65](http://www.toro.com/CAProp65).

**CALIFORNIA SPARK ARRESTER WARNING**  
 Operation of this equipment may create sparks that can start fires around dry vegetation. A spark arrester may be required. The operator should contact local fire agencies for laws or regulations relating to fire prevention requirements.

133-5618

133-5618

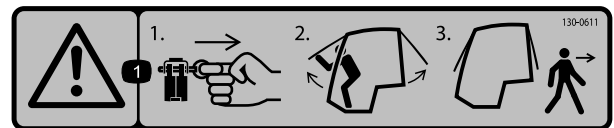


130-0594

decal130-0594

Model with Cab Only

1. Warning—read the *Operator's Manual*; when sitting in the cab, always wear a seat belt; wear hearing protection.

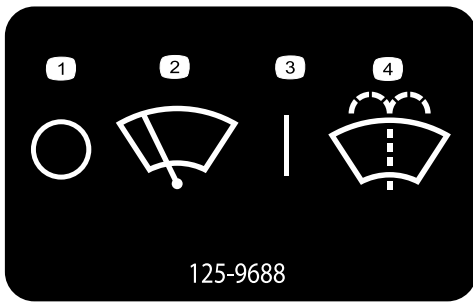


130-0611

decal130-0611

Model with Cab Only

1. Warning—1) Remove the pin; 2) Raise the doors; 3) Exit the cab



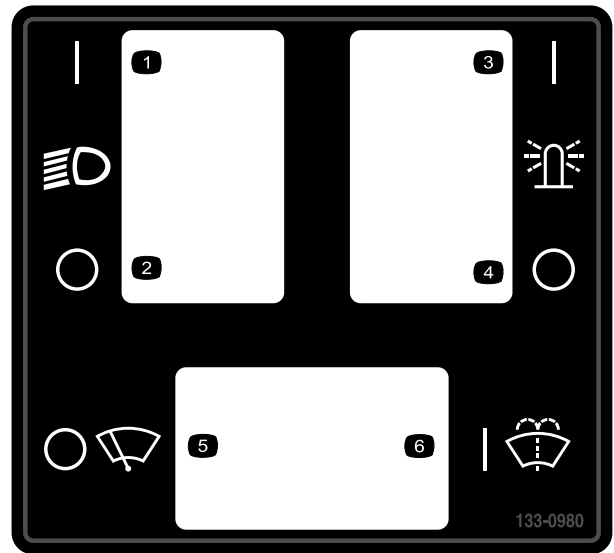
125-9688

decal125-9688

**125-9688**

Model with Cab Only

- |                          |                                  |
|--------------------------|----------------------------------|
| 1. Windshield wipers—off | 3. Windshield wipers—on          |
| 2. Windshield wipers     | 4. Spray windshield washer fluid |



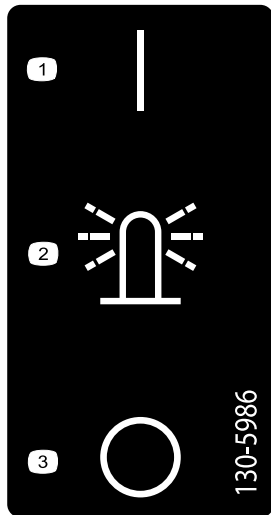
133-0980

decal133-0980

**133-0980**

Model with Cab Only

- |                      |                       |
|----------------------|-----------------------|
| 1. Head light—on     | 4. Overhead light—off |
| 2. Head light—off    | 5. Wipers—off         |
| 3. Overhead light—on | 6. Wiper fluid—on     |



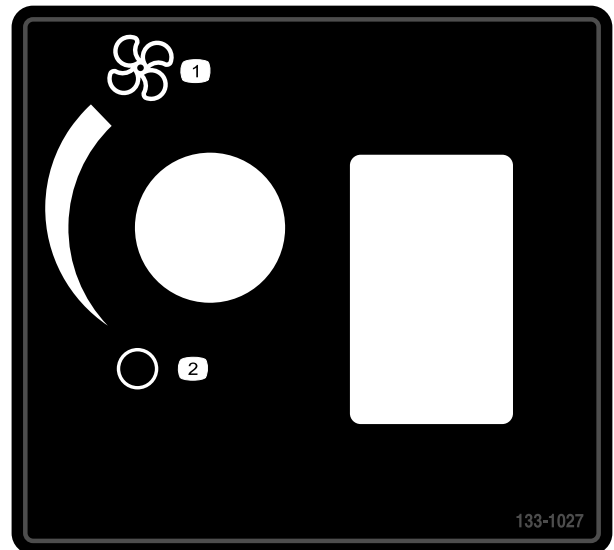
130-5986

decal130-5986

**130-5986**

Model with Cab Only

- |           |        |
|-----------|--------|
| 1. On     | 3. Off |
| 2. Beacon |        |



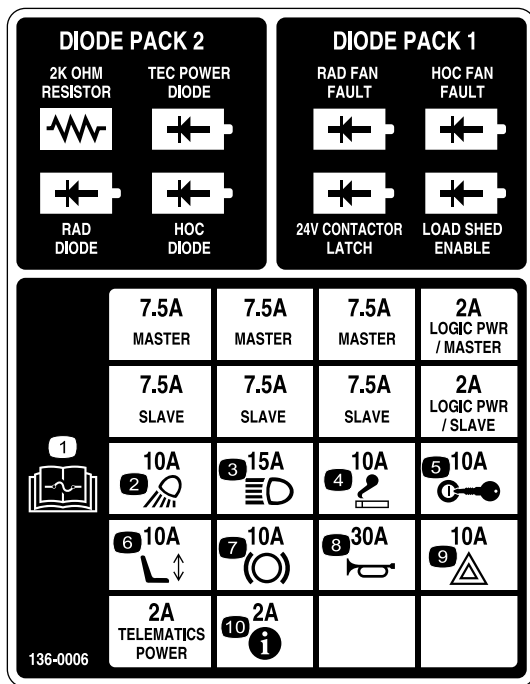
133-1027

decal133-1027

**133-1027**

Model with Cab Only

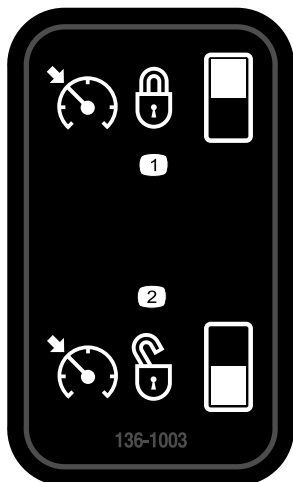
- |                |            |
|----------------|------------|
| 1. Fan—maximum | 2. Fan—off |
|----------------|------------|



**136-0006**

decal136-0006

1. Read the *Operator's Manual* for information on fuses.
2. Work lights (10 A)
3. Headlights (15 A)
4. Cigarette lighter (10 A)
5. Ignition (10 A)
6. Electric seat (10 A)
7. PTO (10 A)
8. Horn (30 A)
9. Hazard light (10 A)
10. InfoCenter (2 A)



**136-1003**

decal136-1003

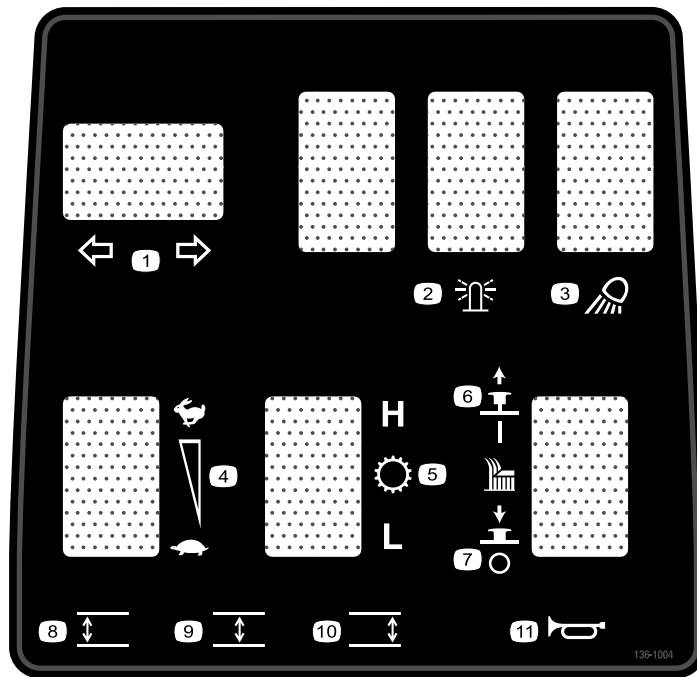
1. Cruise control—on
2. Cruise control—off



### Battery Symbols

Some or all of these symbols are on your battery

1. Explosion hazard
2. No fire, open flame, or smoking
3. Caustic liquid/chemical burn hazard
4. Wear eye protection.
5. Read the *Operator's Manual*.
6. Keep bystanders a safe distance away from the battery.
7. Wear eye protection; explosive gases can cause blindness and other injuries.
8. Battery acid can cause blindness or severe burns.
9. Flush eyes immediately with water and get medical help fast.
10. Contains lead; do not discard.

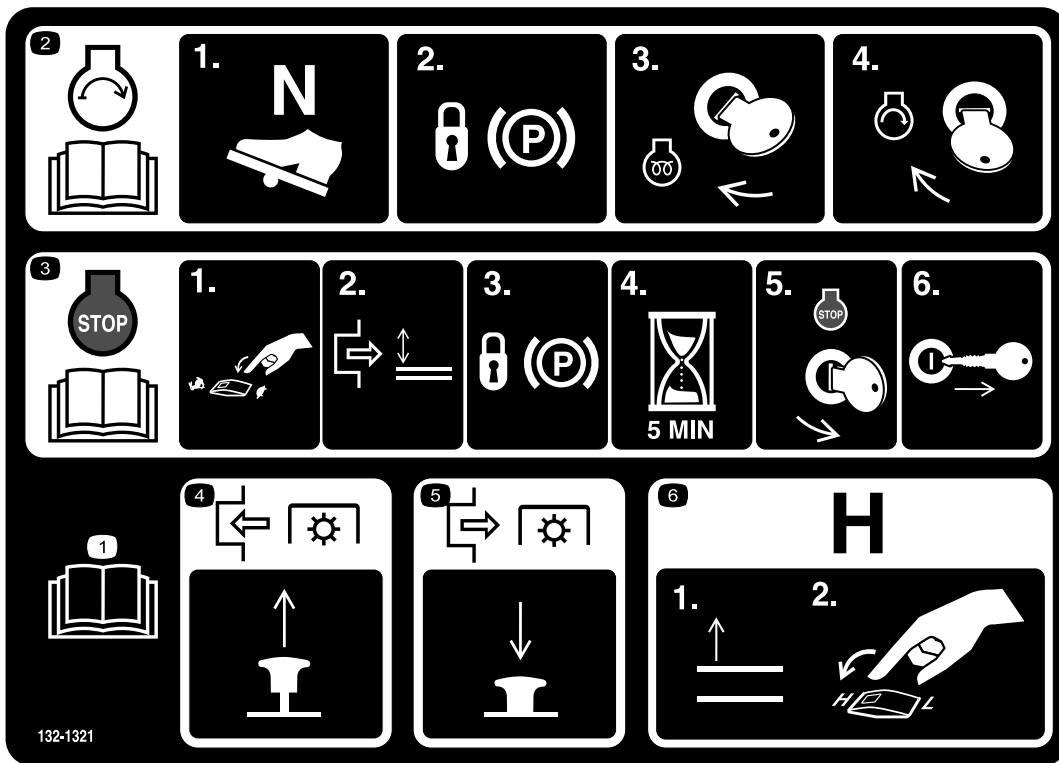


**136-1004**

decal136-1004

- |                    |                                   |
|--------------------|-----------------------------------|
| 1. Turn signals    | 7. Cutting unit—off               |
| 2. Beacon          | 8. Lower the left cutting unit.   |
| 3. Work light      | 9. Lower the center cutting unit. |
| 4. Engine speed    | 10. Lower the right cutting unit. |
| 5. Transmission    | 11. Horn                          |
| 6. Cutting unit—on |                                   |



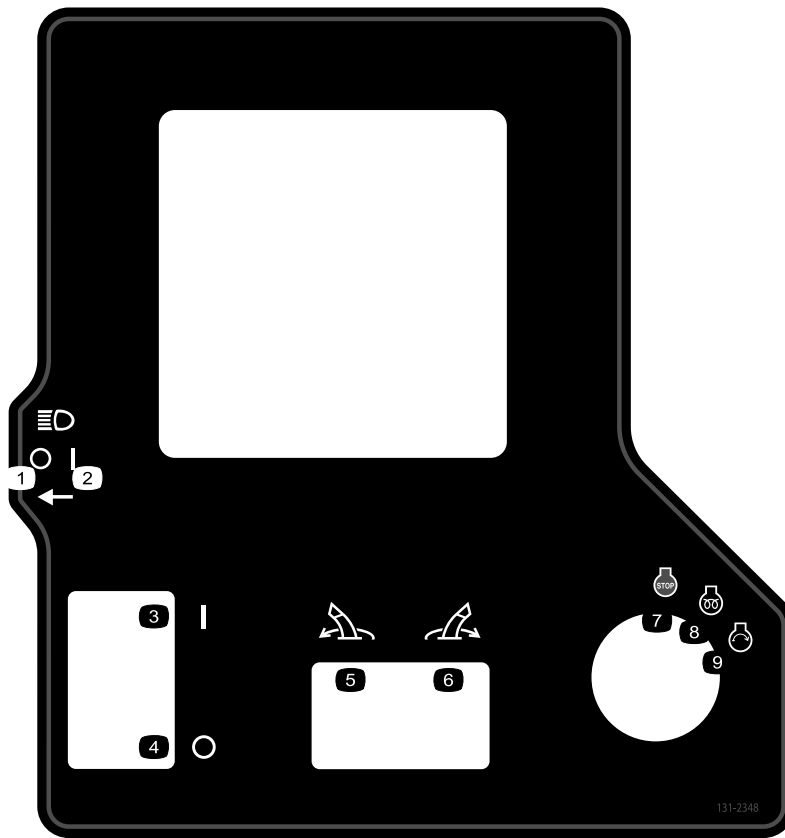


132-1321

decal132-1321

### 132-1321

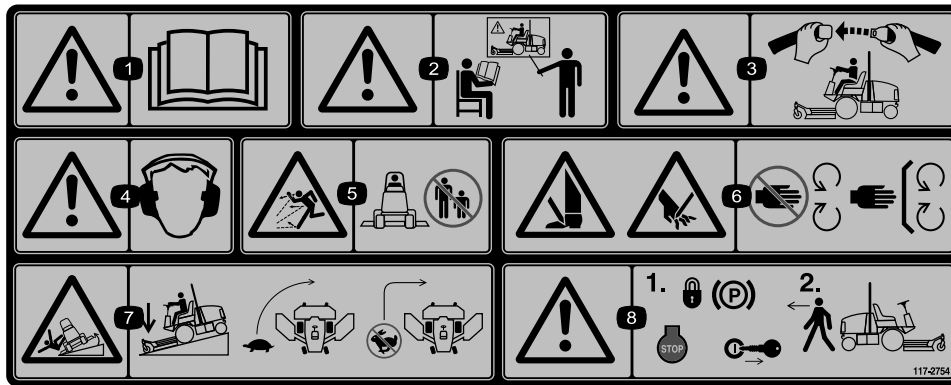
1. Read the *Operator's Manual*.
2. To start the engine: 1) Put the traction pedal in neutral; 2) Engage the parking brake; 3) Turn the key to the run position; 4) Turn the key to the engine start position.
3. To shut off the engine: 1) Move the throttle switch to slow; 2) Disengage the PTO; 3) Engage the parking brake; 4) Wait 5 minutes; 5) Turn the ignition key to Stop; and 6) Remove the key.
4. To engage the PTO, pull up the knob.
5. To disengage the PTO, push down the knob.
6. To switch the transmission to high speed, fully raise the attachments and switch the speed control to the HIGH position.



131-2348

decal131-2348

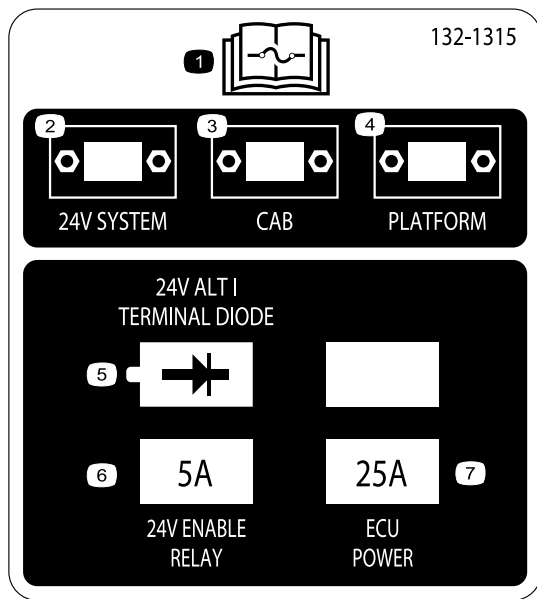
- |                     |                                |                                 |
|---------------------|--------------------------------|---------------------------------|
| 1. Headlights—off   | 4. Parking brake—off           | 7. Engine—stop                  |
| 2. Headlights—on    | 5. Pivot the attachment left.  | 8. Engine—run, electric preheat |
| 3. Parking brake—on | 6. Pivot the attachment right. | 9. Engine—start                 |



117-2754

decal117-2754

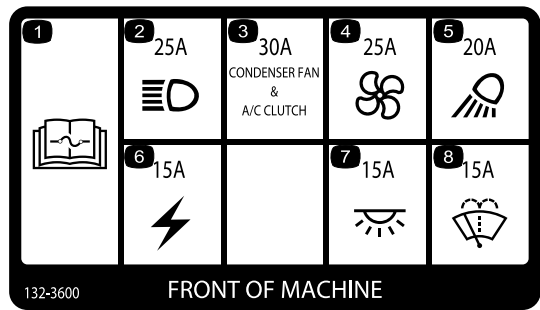
1. Warning—read the *Operator's Manual*.
2. Warning—do not operate this machine unless you are trained.
3. Warning—wear the seat belt when seated in the operator's position.
4. Warning—wear hearing protection.
5. Thrown object hazard—keep bystanders a safe distance away from the machine.
6. Cutting hazard of hand or foot—stay away from moving parts; keep all guards in place.
7. Tipping hazard—lower the cutting unit when driving down slopes; slow machine before turning, do not turn at high speeds
8. Warning—lock the parking brake, shut off the engine and remove the key before leaving the machine.



**132-1315**

decal132-1315

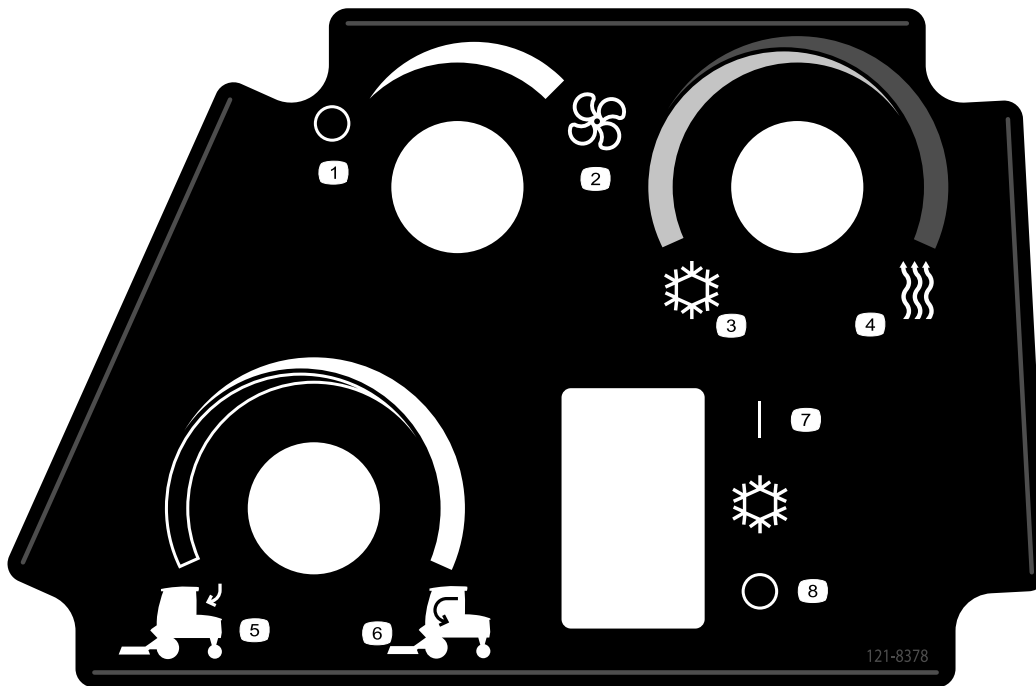
- |   |                           |
|---|---------------------------|
| 1. Read the <i>Operator's Manual</i> for more information on fuses. | 5. 24V alt/terminal diode |
| 2. 24V system   | 6. 24V enable relay (5 A) |
| 3. Cab  | 7. ECU power (25 A)       |
| 4. Platform   |                           |



decal132-3600

**132-3600**  
Model with Cab Only

- |   |                             |
|---|-----------------------------|
| 1. Read the <i>Operator's Manual</i> for more information on fuses. | 5. Working light (20 A)     |
| 2. Headlight (25 A)   | 6. Auxiliary power (15 A)   |
| 3. Condenser fan and A/C clutch (30 A)                              | 7. Cab light (15 A)         |
| 4. Fan (25 A)   | 8. Windshield wipers (15 A) |

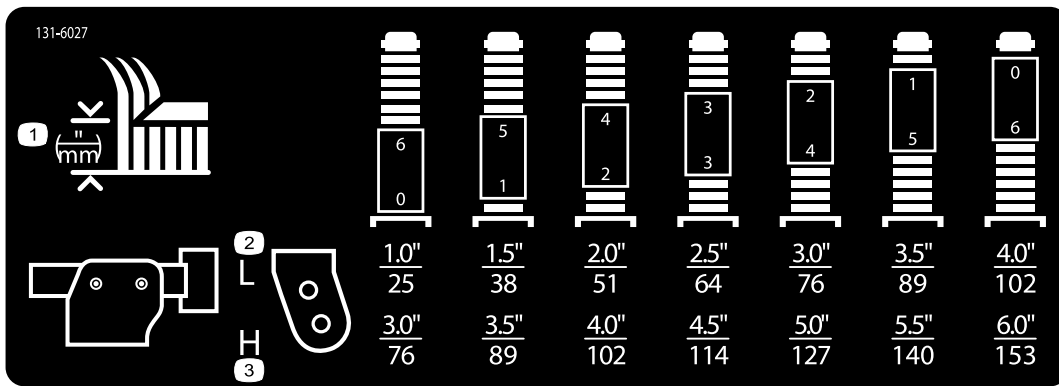


121-8378

decal121-8378

**121-8378**  
Model with Cab Only

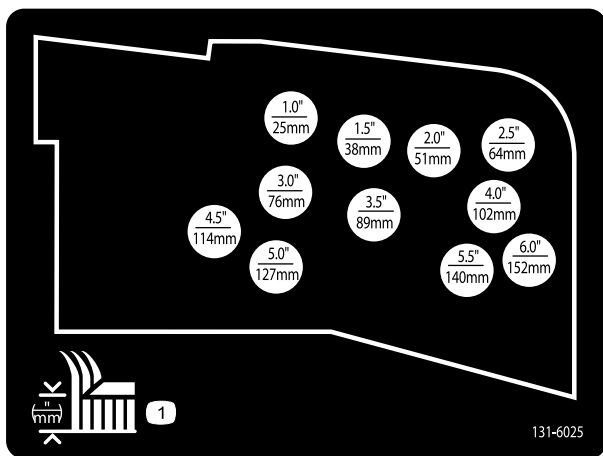
- |                |             |                 |                        |
|----------------|-------------|-----------------|------------------------|
| 1. Fan—off     | 3. Cold air | 5. External air | 7. Air conditioner—on  |
| 2. Fan—on full | 4. Hot air  | 6. Internal air | 8. Air conditioner—off |



decal131-6027

**131-6027**

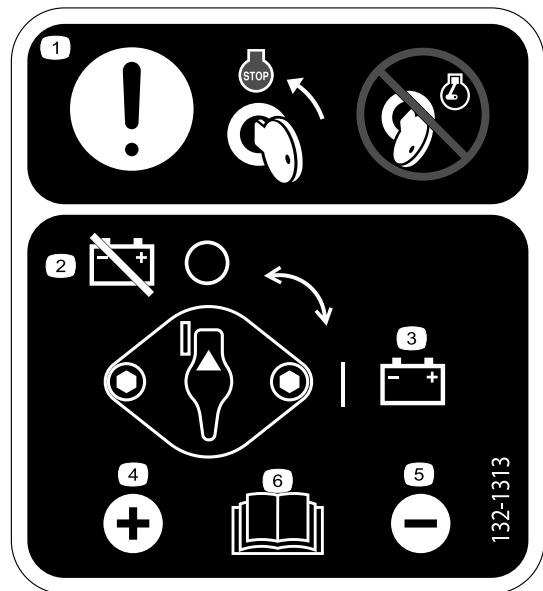
1. Height-of-cut settings
2. Upper caster position—heights of cut 25 to 102 cm (1 to 4 inches)
3. Lower caster position—heights of cut 76 to 153 cm (3 to 6 inches)



decal131-6025

**131-6025**

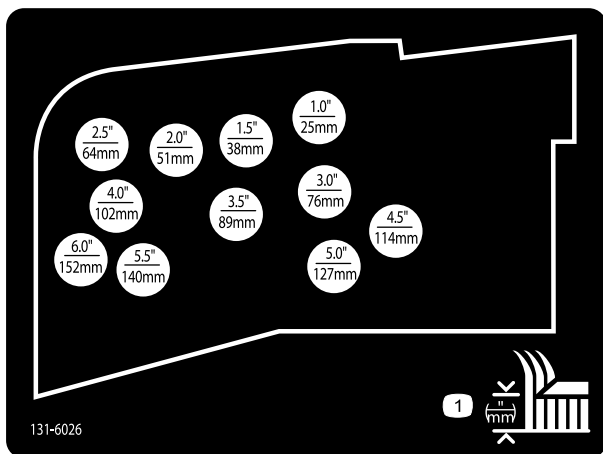
1. Height of cut



decal132-1313

**132-1313**

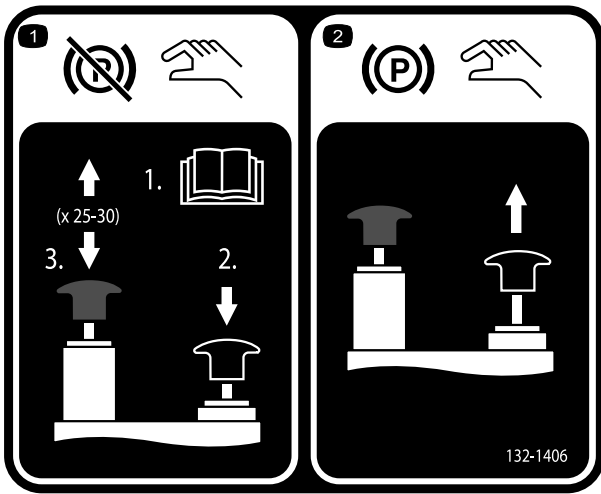
1. Attention—move the key to the engine stop position before servicing the battery; do not service the battery with the engine running.
2. Battery—disconnect
3. Battery—connect
4. Positive terminal
5. Negative terminal
6. Read the *Operator's Manual* for more information on servicing the battery.



decal131-6026

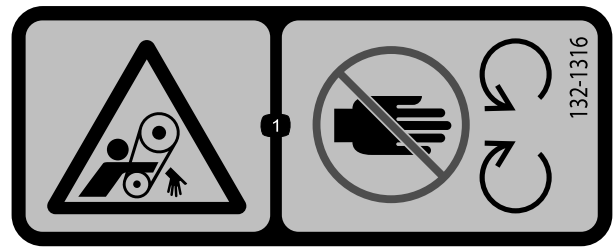
**131-6026**

1. Height of cut



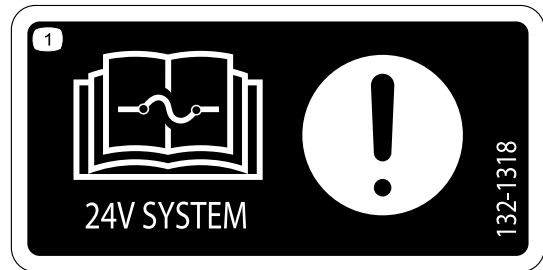
132-1406

1. Releasing the parking brake when the engine is off—1) Open the tow valves on the traction pump (read the *Operator's Manual*); 2) Push down and hold the black knob to release the parking brake; 3) Work the hand pump up and down. You can release the black knob after 2 to 3 pumps. The parking brake releases after 25 to 30 pumps.
2. Engaging the parking brake—pull up the black knob; the manual valve resets when you start the engine.



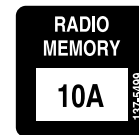
132-1316

1. Entanglement hazard, belt—keep away from moving parts.



132-1318

1. Attention—read the *Operator's Manual* for information on fuses.



137-5499

### GROUNDMASTER 5900 / 5910, MODEL 31698 & 31699

#### QUICK REFERENCE AID

**CHECK/SERVICE (DAILY)**

1. ENGINE OIL LEVEL	7. AIR CLEANER
2. HYDRAULIC FLUID LEVEL	8. HYD OIL COOLER SCREEN / COOLER CORE
3. ENGINE COOLANT LEVEL	9. INTERLOCK SYSTEM
4. FUEL - ULTRA LOW	10. TIRE PRESSURE -
SULFUR DIESEL ONLY	FRONT = 32 PSI / 2.20 BAR
5. ALTERNATOR / AC BELT TENSION	REAR = 30 PSI / 2.10 BAR
6. RADIATOR SCREEN / RADIATOR CORE	CASTORS = 50 PSI / 3.45 BAR

**SPECIFICATIONS/CHANGE INTERVALS**

SEE OPERATOR'S MANUAL FOR INITIAL CHANGES.	FLUID TYPE	CAPACITY	CHANGE INTERVAL		FILTER PART NO.
			FLUID	FILTER	
ENGINE OIL	15W-40 CJ-4	11 QUARTS	500 HOURS	500 HOURS	125-7025 (A)
HYDRAULIC FLUID	ISO VG 46	67 QUARTS	1000 HOURS	1000 HOURS	75-1310 (B) 86-6110 (C)
PRIMARY AIR FILTER					SEE OPERATOR'S MANUAL 108-3815 (D)
SAFETY AIR FILTER					SEE OPERATOR'S MANUAL 130-9070 (E)
FUEL SYSTEM	> 32 F	NO. 2 DIESEL B20	800 HOURS	400 HOURS	125-2915 (F)
	< 32 F	NO. 1 DIESEL	35 GALLONS	/ YEARLY	WATER SEPARATOR 125-8752 (G) FUEL FILTER
ENGINE COOLANT	50% WATER 50% ETHYL GLYCOL	13.5 QUARTS 18.0 QTS W/ CAB	DRAIN & FLUSH EVERY 2 YRS.		

136-0083

1. Read the *Operator's Manual* for information on servicing the machine.

# Setup

## Loose Parts

Use the chart below to verify that all parts have been shipped.

Procedure	Description	Qty.	Use
<b>1</b>	No parts required	–	Remove the wing-deck-shipping straps and braces.
<b>2</b>	Right deck cover Left deck cover V-belt	1 1 2	Lower the front-deck winglets.
<b>3</b>	No parts required	–	Check the tire and caster wheel pressure.
<b>4</b>	No parts required	–	Level the front, center deck.
<b>5</b>	No parts required	–	Level the winglet decks to the front, center deck.
<b>6</b>	No parts required	–	Check the fluid levels.
<b>7</b>	No parts required	–	Grease the machine.

## Media and Additional Parts

Description	Qty.	Use
Operator's Manual	1	Review it before operating the machine.
Engine owner's manual	1	Use it to reference engine information.
Declaration of conformity	1	For CE compliance

**Note:** Determine the left and right sides of the machine from the normal operating position.

# 1

## Removing the Wing-Deck-Shipping Straps and Braces

No Parts Required

### Procedure

1. Park the machine on a level surface, engage the parking brake, shut off the engine, and remove the key.

2. Remove the straps and braces securing the wing decks for shipping.

# 2

## Lowering the Front-Deck Winglets

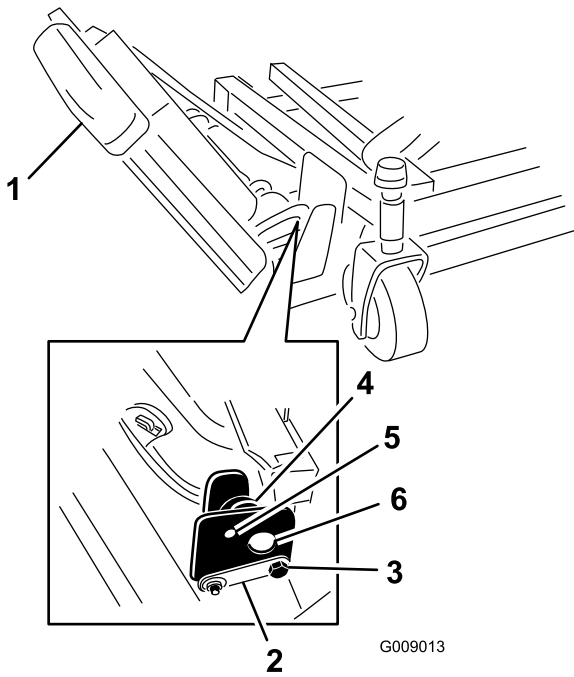
Parts needed for this procedure:

1	Right deck cover
1	Left deck cover
2	V-belt

### Procedure

1. Remove the nuts securing the front and rear stop bolts to the right winglet-deck mounts ([Figure 3](#)).





**Figure 3**

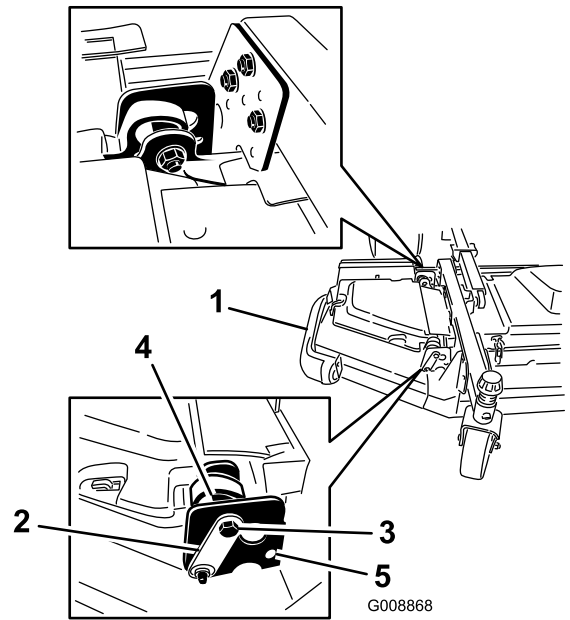
- |              |                |
|--------------|----------------|
| 1. Winglet   | 4. Eccentric   |
| 2. Hinge pin | 5. Upper hole  |
| 3. Stop bolt | 6. Deck mounts |

2. While supporting the right winglet, remove the front and rear stop bolts from the deck mounts (Figure 3).

**Note:** Leave the eccentrics positioned between the deck mounts.

3. Lower the winglet to the operating position.
4. Install the front and rear stop bolts through the upper-mounting holes and eccentrics (Figure 4).

**Note:** Ensure that the stop bolt engages the tab on the hinge pin.



**Figure 4**

- |              |               |
|--------------|---------------|
| 1. Winglet   | 4. Eccentric  |
| 2. Hinge pin | 5. Lower hole |
| 3. Bolt      |               |

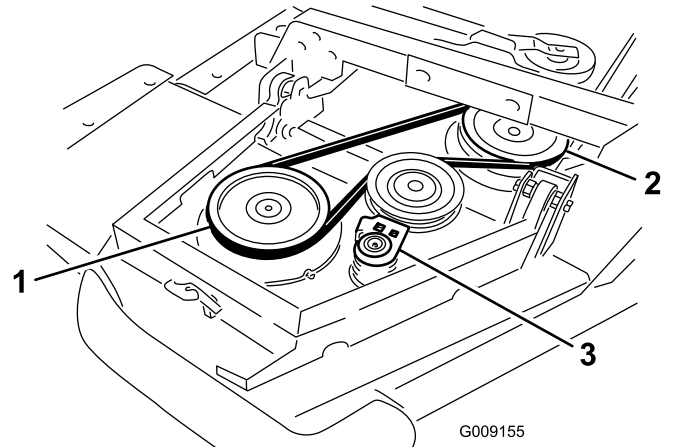
5. Install the nuts securing the stop bolts.

**Note:** Do not tighten the nuts at this time.

6. Repeat this procedure on the left winglet.

7. Install the winglet belts as follows:

A. Start the belt around the winglet-spindle pulley and the front-deck-spindle pulley (Figure 5).



**Figure 5**

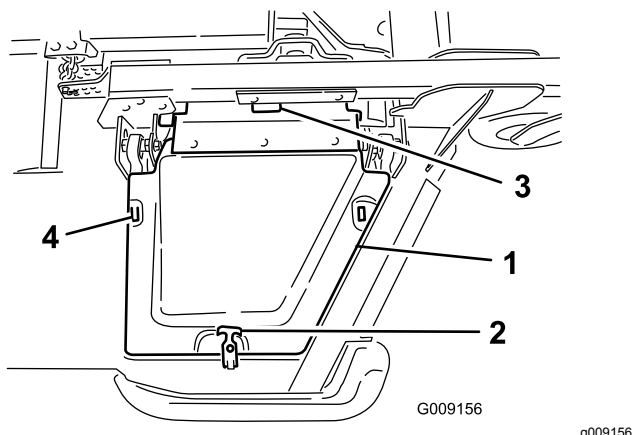
- |                              |                 |
|------------------------------|-----------------|
| 1. Winglet-spindle pulley    | 3. Idler pulley |
| 2. Front-deck-spindle pulley |                 |

B. Using a ratchet wrench or a similar tool, move the idler pulley away from the pulleys (Figure 5).

- C. Route the belt around the winglet-spindle pulley and the upper-spindle pulley on the front deck.
  - D. Release the idler pulley to put tension on the belt.
8. Install the winglet-deck cover and secure it with the rubber latch (Figure 6).

**Note:** Ensure that you slide the cover under the front, center deck-cover tabs before inserting it onto the mounting hooks and post.

9. Repeat this procedure on the other winglet.



**Figure 6**

- |                 |                                  |
|-----------------|----------------------------------|
| 1. Cover        | 3. Front, center deck-cover tabs |
| 2. Rubber latch | 4. Mount hooks                   |

# 4

## Leveling the Front, Center Deck

**No Parts Required**

### Procedure

**Note:** Perform this procedure on a flat, level surface.

Refer to [Adjusting the Height of Cut \(page 28\)](#).

1. Rotate the blade on each outer spindle until the ends face forward and backward.
2. Measure from the floor to the front tip of the blade.
3. Adjust the 3 mm (1/8 inch) shims on the front caster fork(s) to match the desired height of cut.
4. Rotate the blades 180° and measure from the floor to the rear-facing tip of the blade.
5. Loosen the lower jam nuts on the height-of-cut chain U-bolt.
6. Adjust the nuts to raise or lower the rear of the mower deck so that the tips of the rear blades are 6 to 10 mm (1/4 to 3/8 inch) higher than the front tips.
7. Tighten the jam nuts.

# 5

## Leveling the Winglet Decks to the Front, Center Deck

**No Parts Required**

### Procedure

1. Rotate the blade on each winglet so that it points side to side.
2. Loosen the bolts and nuts securing the 2 eccentric spacers to the winglets (Figure 7).

# 3

## Checking the Tire and Caster Wheel Pressure

**No Parts Required**

### Procedure

Check the tire and caster wheel pressure before use; refer to [Checking the Tire Pressure \(page 28\)](#) and [Checking the Caster Wheel Tire Pressure \(page 28\)](#).

**Important:** Maintain pressure in all tires to ensure a good quality-of-cut and proper machine performance. *Do not underinflate the tires.*

**Important:** Traction performance, including tire-slip control, is dependent on the ratio of the tire size between the front and rear tires. Use only genuine Toro tires.

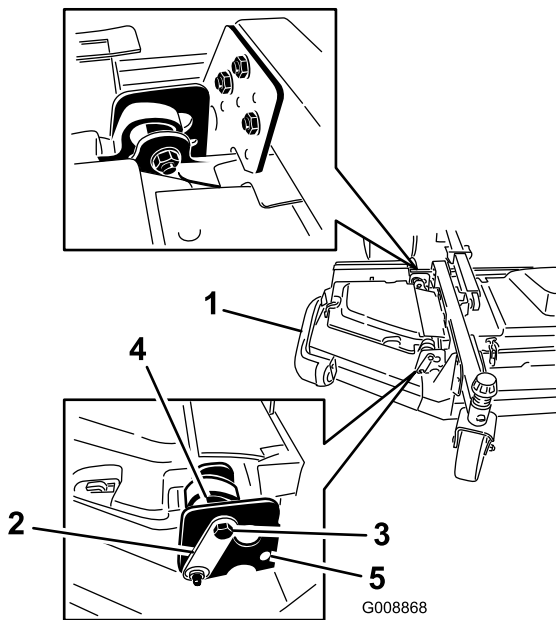


Figure 7

- |              |               |
|--------------|---------------|
| 1. Winglet   | 4. Eccentric  |
| 2. Hinge pin | 5. Upper hole |
| 3. Stop bolt |               |

- Rotate the forward eccentric until it reaches maximum clearance with the inner-slot surface of the winglet-pivot bracket.
- Rotate the rear (closest to the traction unit) eccentric until the outside blade tip is about 3 mm (1/8 inch) higher than the desired height of cut (Figure 7).

**Note:** There is a notch on the eccentric hex, which is 180° from the lobe on the eccentric cam (Figure 8). Use the notches to reference the location of the lobes when adjusting the eccentrics.

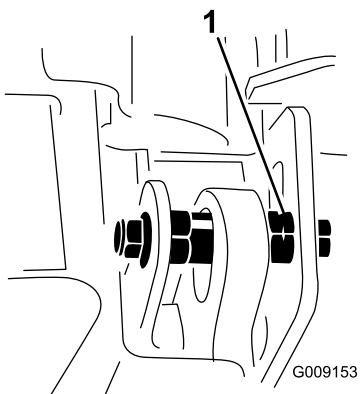


Figure 8

- Eccentric notch

- Tighten the bolt and nut for this eccentric to 149 N·m (110 ft-lb).

- Adjust the forward eccentric until it just makes contact with the inner slot surface of the winglet-pivot brackets.
- Tighten the bolt and nut for this eccentric to 149 N·m (110 ft-lb).
- Repeat the procedure on the opposite winglet.

## 6

### Checking the Fluid Levels

No Parts Required

#### Procedure

- Check the engine-oil level before starting the engine; refer to [Checking the Engine-Oil Level \(page 67\)](#).
- Check the hydraulic-fluid level before starting the engine; refer to [Checking the Hydraulic Fluid \(page 84\)](#).
- Check the cooling system before starting the engine; refer to [Checking the Engine-Oil Level \(page 67\)](#).

## 7

### Greasing the Machine

No Parts Required

#### Procedure

Grease the machine before use; refer to [Lubrication \(page 63\)](#).

**Important:** Failure to properly grease the machine will result in premature failure of critical parts.

# Product Overview

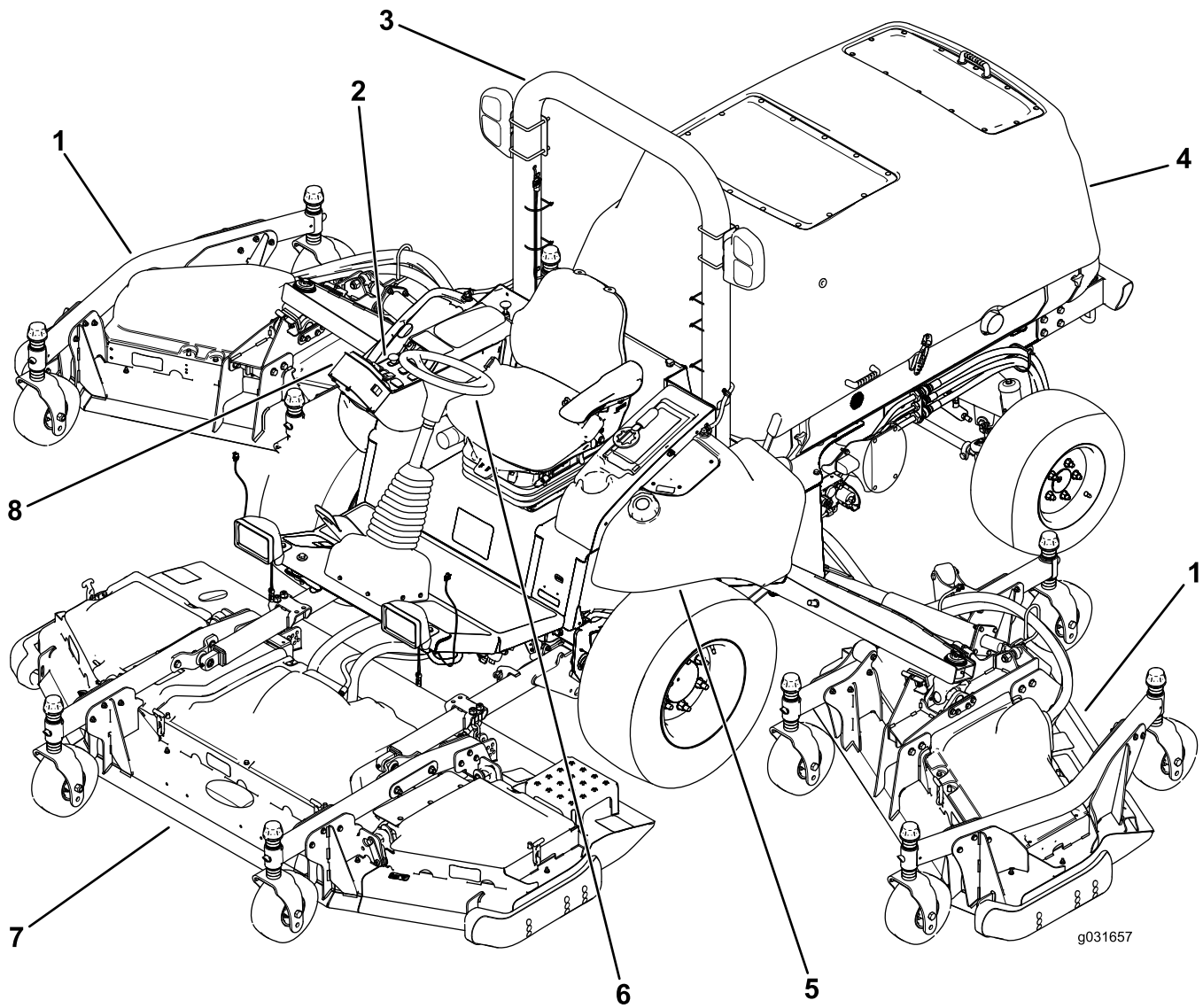


Figure 9

- 1. Wing mower deck
- 2. Control panel
- 3. Roll bar
- 4. Hood
- 5. Fuel tank
- 6. Steering wheel
- 7. Front mower deck
- 8. InfoCenter

# Controls

**Note:** Determine the left and right sides of the machine from the normal operating position.

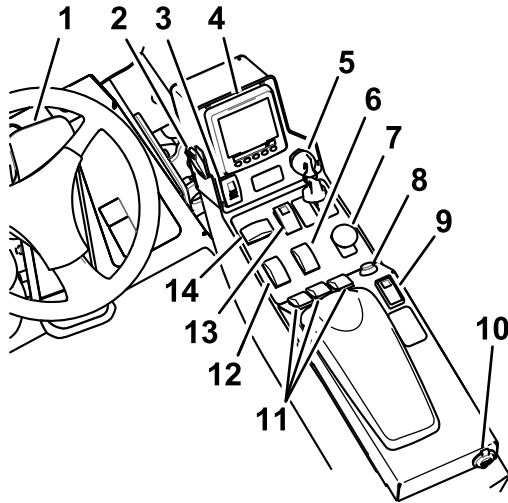


Figure 10

g199303

- |                                |                          |
|--------------------------------|--------------------------|
| 1. Traction pedal              | 8. Horn button           |
| 2. Light switch                | 9. Cruise-control switch |
| 3. Parking-brake switch        | 10. USB power            |
| 4. InfoCenter control          | 11. Deck-lift switches   |
| 5. Key switch                  | 12. Throttle switch      |
| 6. High—Low range-speed switch | 13. Hazard switch        |
| 7. PTO switch                  | 14. Turn-signal switch   |

## Traction Pedal

The traction pedal controls the forward and reverse operation. Press the top of the pedal to move the machine forward and the bottom to move it backward. Ground speed depends on how far you press the pedal. For maximum ground speed, fully press the pedal while the throttle is in the HIGH IDLE position (Figure 10).

To stop the machine, reduce your foot pressure on the traction pedal and allow it to return to the center position.

## Parking-Brake Switch

The parking-brake switch requires 2 actions to engage the brake. While holding the small latch back, press the parking-brake switch forward to engage the parking brake. Press the parking-brake switch rearward to disengage the parking brake (Figure 10).

## Hazard-Light Switch

Press the hazard-light switch forward to engage the hazard lights and rearward to disengage the hazard lights (Figure 10).

## Turn-Signal Switch

Press the left side of the turn-signal switch to activate the left-turn signal and the right side of the switch to activate the right-turn signal (Figure 10).

**Note:** The center position is off.

## Key Switch

The key switch has 3 positions: STOP, RUN/PREHEAT, and START (Figure 10).

## PTO Switch

The PTO switch has 2 positions: OUT (start) and IN (stop). Pull out the PTO button to engage the implement or mower-deck blades. Push in the button to disengage the implement operation (Figure 10).

## High-Low Range-Speed Switch

Press the front of the switch to select HIGH-SPEED RANGE. Press the rear of the switch to select LOW-SPEED RANGE. The machine must be stationary or traveling at less than 1.0 km/h (0.6 mph) to shift between HIGH and LOW (Figure 10).

## Cruise-Control Switch

The cruise-control switch sets your desired speed of the machine.

Move the cruise-control switch to the center position to turn the cruise control to the ON position. Press the switch forward to set the speed. Press the switch rearward to disengage the cruise control (Figure 10).

**Note:** Foot pedal movement also disengages the cruise control.

When you engage the cruise control, you can change the cruise-control speed using the InfoCenter control.

## Deck-Lift Switches

The deck-lift switches raise and lower the mower decks (Figure 10).

Press the switches forward to lower the mower deck and rearward to raise the mower deck.

**Note:** The decks do not lower while the machine is in the HIGH-speed range, and the decks do not raise or lower if you are out of the seat while the engine is running.

**Note:** The deck-raising function is limited at engine speeds below 2,000 rpm. Only 1 deck raises at a time below 2,000 rpm.

## Throttle Switch

The throttle switch has 2 positions: LOW IDLE and HIGH IDLE (Figure 10).

Press the switch forward for 2 or more seconds to set the throttle at HIGH IDLE; press the switch rearward for 2 or more seconds to set the throttle at LOW IDLE; or momentarily press the switch in either direction to increase or decrease the engine speed in 100-rpm increments.

## Light Switch

Press the light switch upward to turn the lights to the ON position (Figure 10).

Press the light switch downward to turn the lights to the OFF position.

## Horn Button

Press the horn button to activate the horn (Figure 10).

## Seat-Adjusting Lever

Pull out the lever to slide the seat forward or rearward.

## Armrest-Adjusting Knob

Rotate the knob to adjust the angle of the armrest.

## Seat-Back-Adjusting Lever

Move the lever to adjust the seat-back angle.

## USB Power

You can insert your portable charger into the USB ports to charge a personal device, such as a phone or other electronic device (Figure 10).

## Audible Alarm (Console)

The alarm is activated when a fault is detected.

The buzzer sounds when the following occur:

- The engine sends a stop fault
- The engine sends a check-engine fault
- The fuel level is low

## Cab Controls

For Machines with a Cab

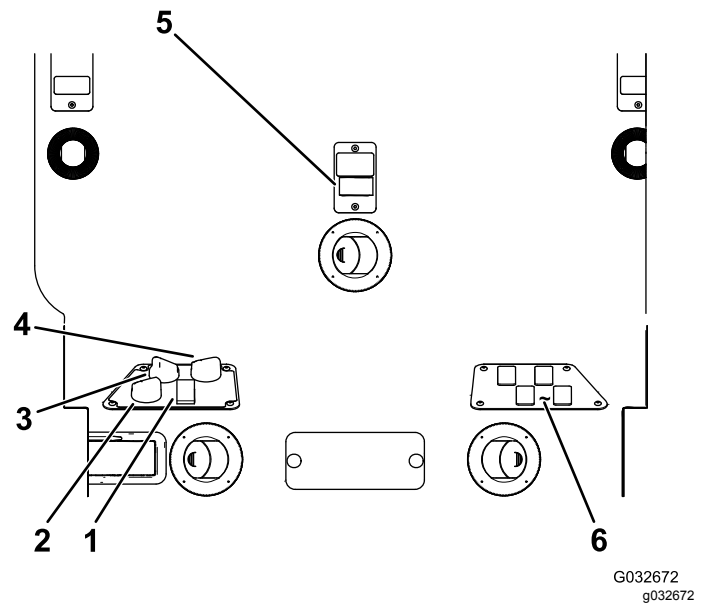


Figure 11

- |                              |                                     |
|------------------------------|-------------------------------------|
| 1. Air-conditioning switch   | 4. Temperature control              |
| 2. Air-recirculation control | 5. Windshield-wiper switch          |
| 3. Fan control               | 6. Blank switches for optional kits |

### Air-Recirculation Control

The air-recirculation control sets the cab to either recirculate the air in the cabin or to draw air into the cabin from outside (Figure 11).

- Set it to recirculate the air when using the air-conditioning.
- Set it to draw air in when using the heater or fan.

### Fan-Control Knob

Rotate the fan-control knob to regulate the speed of the fan (Figure 11).

### Temperature-Control-Knob

Rotate the temperature-control knob to regulate the air temperature in the cab (Figure 11).

### Windshield-Wiper Switch

Use this switch to turn the windshield wipers on or off (Figure 11).

### Air-Conditioning Switch

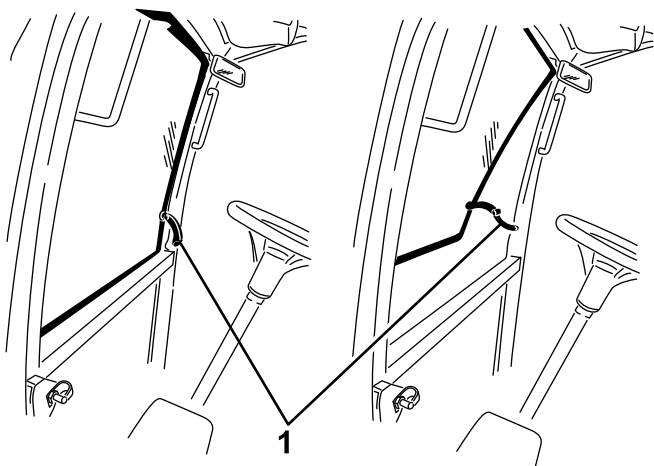
Use this switch to turn the air conditioning on or off (Figure 11).

### Windshield Latch

Lift up the latches to open the windshield (Figure 12). Press in the latch to lock windshield to the OPEN



position. Pull out and down on the latch to close and secure the windshield.



g196911

**Figure 12**

1. Windshield latch
- 

### **Rear Window Latch**

Lift up the latches to open the rear window. Press in on the latch to lock the window in OPEN position. Pull out and down on the latch to close and secure the window (Figure 12).

***Important:*** Close the rear window before opening the hood or damage may occur to the hood or rear window.

# Specifications

**Note:** Specifications and design are subject to change without notice.

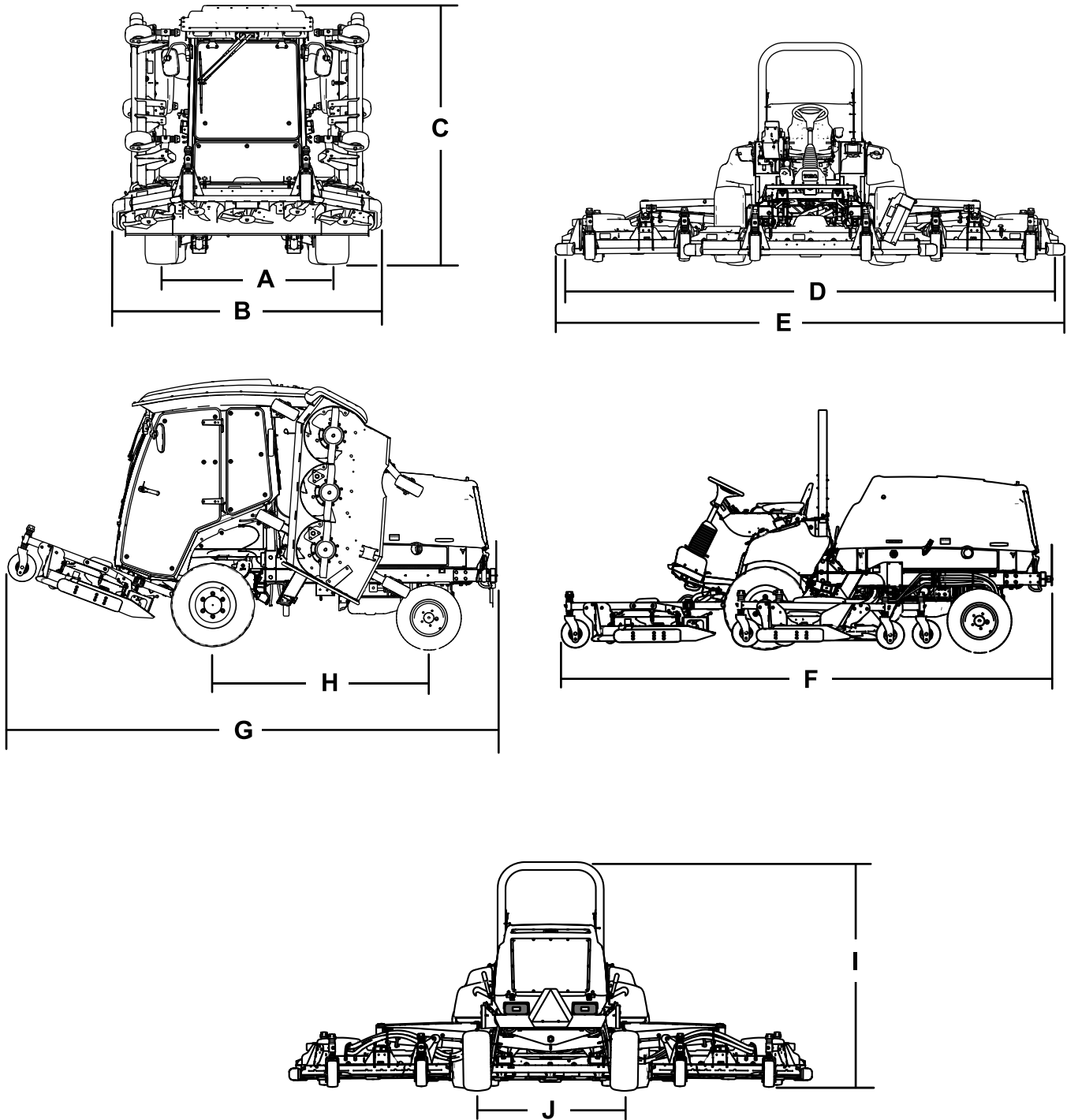


Figure 13

g200003

Description	Figure 13 reference	Dimension or Weight
Height with cab	C	240 cm (94.5 inches)
Height with roll bar	I	216 cm (85 inches)
Overall length	F	442 cm (174 inches)
Length for storage or transport	G	434 cm (171 inches)

Width of cut	overall	D	488 cm (192 inches)
	front cutting unit		234 cm (92 inches)
	side cutting unit		145 cm (57 inches)
	front and one side cutting unit		361 cm (142 inches)
Overall width	cutting units down	E	506 cm (199 inches)
	cutting units up (transport position)	B	251 cm (99 inches)
Wheel base		H	194 cm (76-1/2 inches)
Wheel tread (tire center to center)	front	A	159 cm (62.5 inches)
	rear	J	142 cm (56 inches)
Ground clearance			25.4 cm (10 inches)
Net weight with cab			3313 kg (7,304 lb)
Net weight with roll bar			3044 kg (6,710 lb)

## Attachments/Accessories

A selection of Toro approved attachments and accessories is available for use with the machine to enhance and expand its capabilities. Contact your Authorized Service Dealer or Distributor or go to [www.Toro.com](http://www.Toro.com) for a list of all approved attachments and accessories.

# Operation

**Note:** Determine the left and right sides of the machine from the normal operating position.

## Before Operation

### Before Operation Safety

#### General Safety

- Never allow children or untrained people to operate or service the machine. Local regulations may restrict the age of the operator. The owner is responsible for training all operators and mechanics.
- Become familiar with the safe operation of the equipment, operator controls, and safety signs.
- Know how to stop the machine and shut off the engine quickly.
- Check that operator-presence controls, safety switches, and shields are attached and functioning properly. Do not operate the machine unless they are functioning properly.
- Before mowing, always inspect the machine to ensure that the blades, blade bolts, and cutting assemblies are in good working condition. Replace worn or damaged blades and bolts in sets to preserve balance.
- Inspect the area where you will use the machine and remove all objects that the machine could throw.

#### Fuel Safety

- Use extreme care in handling fuel. It is flammable and its vapors are explosive.
- Extinguish all cigarettes, cigars, pipes, and other sources of ignition.
- Use only an approved fuel container.
- Do not remove the fuel cap or fill the fuel tank while the engine is running or hot.
- Do not add or drain fuel in an enclosed space.
- Do not store the machine or fuel container where there is an open flame, spark, or pilot light, such as on a water heater or other appliance.
- If you spill fuel, do not attempt to start the engine; avoid creating any source of ignition until the fuel vapors have dissipated.

## Checking the Engine-Oil Level

Before you start the engine and use the machine, check the oil level in the engine crankcase; refer to [Checking the Engine-Oil Level \(page 67\)](#).

## Checking the Cooling Systems

Before you start the engine and use the machine, check the cooling systems; refer to [Checking the Engine-Cooling System \(page 78\)](#) and [Cleaning the Cooling Systems \(page 79\)](#).

## Checking the Hydraulic System

Before you start the engine and use the machine, check the hydraulic system; refer to [Checking the Hydraulic Fluid \(page 84\)](#).

## Filling the Fuel Tank

### Fuel Tank Capacity

132 L (35 US gallons)

### Fuel Specification

**Important:** Use only ultra-low sulphur diesel fuel. Fuel with higher rates of sulfur degrades the diesel oxidation catalyst (DOC), which causes operational problems and shortens the service life of engine components.

**Failure to observe the following cautions may damage the engine.**

- Never use kerosene or gasoline instead of diesel fuel.
- Never mix kerosene or used engine oil with the diesel fuel.
- Never keep fuel in containers with zinc plating on the inside.
- Do not use fuel additives.

### Petroleum Diesel

**Cetane rating:** 45 or higher

**Sulfur content:** Ultra-low sulfur (<15 ppm)

## Fuel Table

Diesel fuel specification	Location
ASTM D975 No. 1-D S15 No. 2-D S15	USA
EN 590	European Union
ISO 8217 DMX	International
JIS K2204 Grade No. 2	Japan
KSM-2610	Korea

- Use only clean, fresh diesel fuel or biodiesel fuels.
- Purchase fuel in quantities that can be used within 180 days to ensure fuel freshness.

Use summer-grade diesel fuel (No. 2-D) at temperatures above  $-7^{\circ}\text{C}$  ( $20^{\circ}\text{F}$ ) and winter-grade fuel (No. 1-D or No. 1-D/2-D blend) below that temperature.

**Note:** Use of winter-grade fuel at lower temperatures provides lower flash point and cold flow characteristics which eases starting and reduces fuel filter plugging.

Using summer-grade fuel above  $-7^{\circ}\text{C}$  ( $20^{\circ}\text{F}$ ) contributes toward longer fuel pump life and increased power compared to winter-grade fuel.

## Using Biodiesel

This machine can also use a biodiesel-blended fuel of up to B20 (20% biodiesel, 80% petrodiesel).

**Sulfur content:** Ultra-low sulfur ( $<15$  ppm)

**Biodiesel fuel specification:** ASTM D6751 or EN14214

**Blended fuel specification:** ASTM D975, EN590, or JIS K2204

**Important:** The petroleum diesel portion must be ultra-low sulfur.

Observe the following precautions:

- Biodiesel blends may damage painted surfaces.
- Use B5 (biodiesel content of 5%) or lesser blends in cold weather.
- Monitor seals, hoses, gaskets in contact with fuel as they may degrade over time.
- Fuel filter plugging may occur for a time after you convert to biodiesel blends.
- For more information on biodiesel, contact your authorized Toro distributor.

## Adding Fuel

1. Park the machine on a level surface (Figure 14).
2. Shut off the engine, remove the key, and engage the parking brake.
3. Clean around the fuel-tank cap and remove the cap.
4. Add fuel and install the fuel-tank cap. Wipe up any spilled fuel.

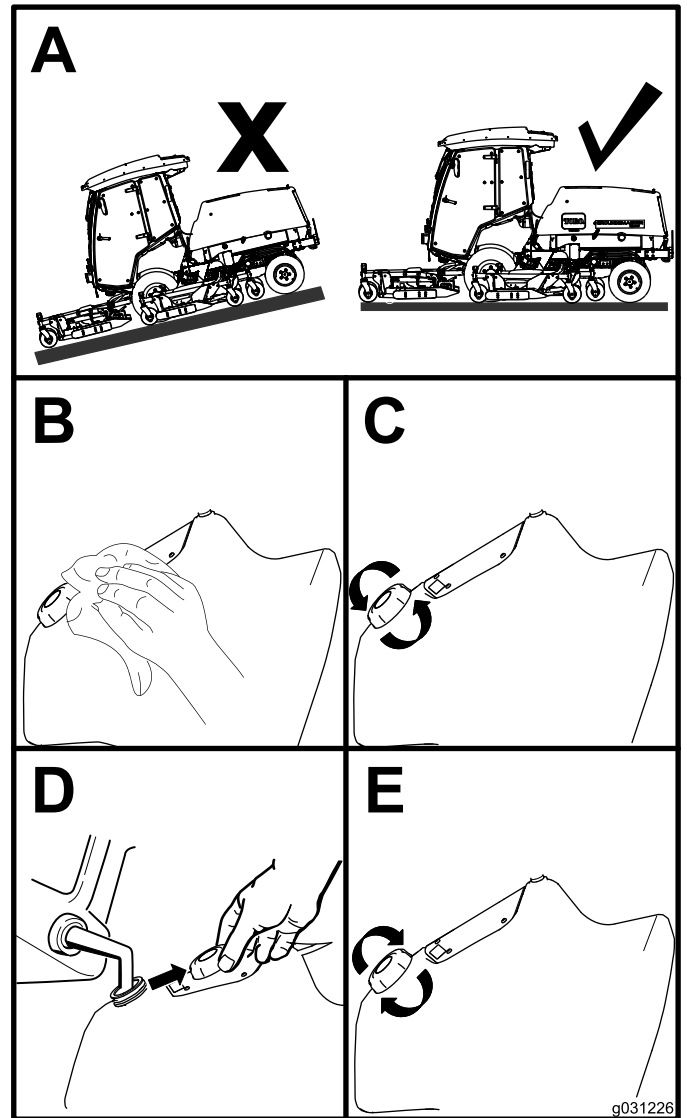


Figure 14

# Checking the Tire Pressure

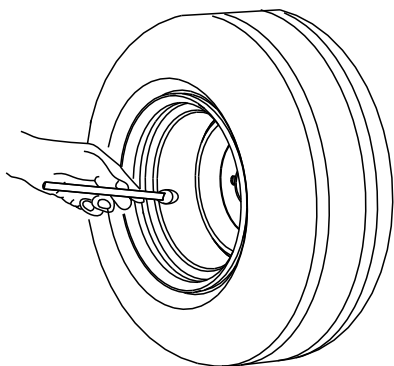
**Service Interval:** Before each use or daily

The correct air pressure in the front tires is 220 kPa (32 psi) and the rear tires is 207 kPa (30 psi) as shown in [Figure 15](#).

**Important:** Maintain pressure in all tires to ensure a good quality of cut and proper machine performance. Do not underinflate the tires.

Check the air pressure in all the tires before operating the machine.

Traction performance, including tire-slip control, is dependent on the ratio of the tire size between the front and rear tires. Use only genuine Toro tires.



G001055

g001055

Figure 15

# Checking the Caster Wheel Tire Pressure

The correct air pressure in the caster wheel tires is 340 kPa (50 psi).

**Important:** Maintain pressure in all tires to ensure a good quality of cut and proper machine performance. Do not underinflate the tires.

Check the air pressure in all the tires before operating the machine.

# Checking the Torque of the Wheel-Lug Nuts

**Service Interval:** After the first 10 hours  
Every 250 hours

## ⚠ WARNING

Failure to maintain the proper torque of the wheel nuts could result in failure or loss of a wheel, and may result in personal injury.

Torque the front and rear-wheel nuts to 135 to 150 N·m (100 to 110 ft·lb) according to the maintenance schedule.

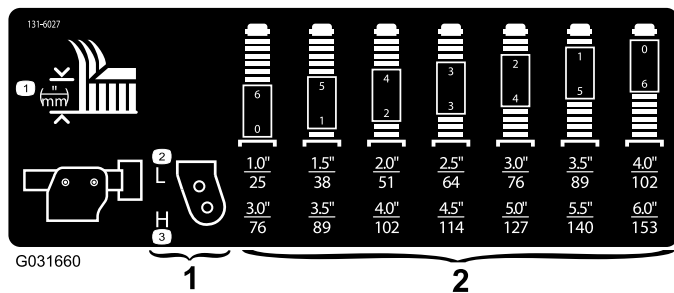
# Adjusting the Height of Cut

You can adjust the height of cut from 25 to 153 mm (1 to 6 inches) in 13 mm (1/2 inch) increments. To adjust the height of cut, position the caster-wheel axles in the upper or lower holes of the caster forks, add or remove an equal number of spacers from the caster forks, and adjust the rear chain (front deck only) to the desired holes.

# Adjusting the Front Mower Deck

1. Start the engine and raise the mower decks so you can change the height of cut.
2. Shut off the engine and remove the key after the mower deck is raised.
3. Position the caster-wheel axles in the same holes in all of the caster forks; refer to the chart ([Figure 16](#)) to determine the correct holes for the setting.

**Note:** To prevent grass buildup between the wheel and the fork, operate the machine at the 76 mm (3 inches) height of cut or higher and install the axle bolt in the bottom caster-fork hole. When operating the machine at a height of cut lower than 76 mm (3 inches) and when you detect grass buildup, reverse the direction of the machine to pull any clippings away from the wheel and fork.



G031660

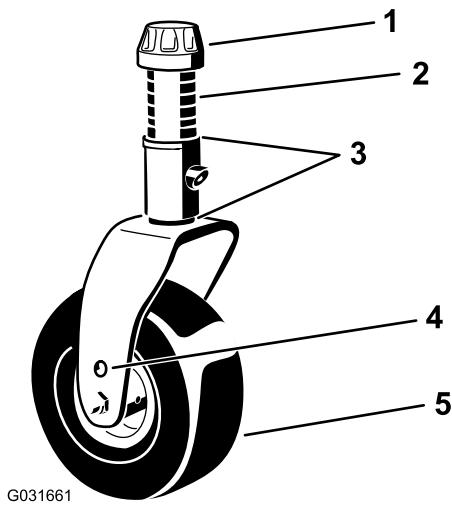
g031660

Figure 16

1. Caster wheel height-of-cut
2. Caster fork height-of-cut spacers

4. Using the supplied caster-cap wrench, loosen the tensioning cap and remove it from the caster-spindle shaft and slide the caster shaft out of the caster arm ([Figure 17](#)).





**Figure 17**

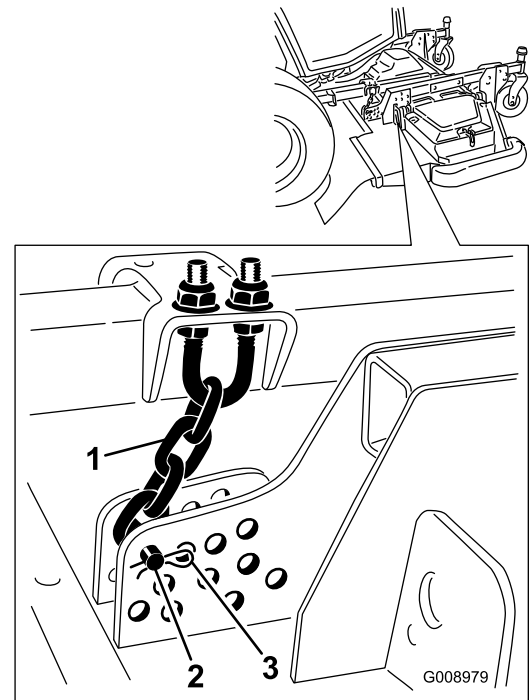
- 1. Tensioning cap
- 2. Spacers (6)
- 3. Shims (2 top and 2 bottom)
- 4. Top axle-mounting hole
- 5. Caster wheel

- 5. Slide the appropriate number of spacers onto the shaft to get the desired height of cut.

**Note:** Refer to the chart to determine the combinations of spacers for the setting (Figure 16).

**Note:** You may use the shims in any combination above or below the caster-arm hub (as required) to achieve the desired height of cut or deck level.

- 6. Push the caster shaft through the front caster arm.
- 7. Install the shims (as originally installed) and the remaining spacers onto the shaft (Figure 17).
- 8. Install the tensioning cap and tighten it with the supplied caster-cap wrench to secure the assembly (Figure 17).
- 9. Remove the hairpin cotter and clevis pin securing the height-of-cut chains to the rear of the mower deck (Figure 18).

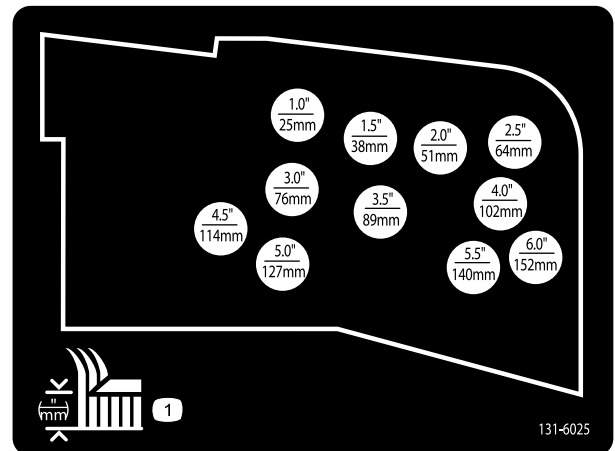


**Figure 18**

- 1. Height-of-cut chain
- 2. Clevis pin
- 3. Hairpin cotter

- 10. Mount the height-of-cut chains to the desired height-of-cut hole with the clevis pin and hairpin cotter (Figure 19).

**Note:** When mowing at a height of cut below 51 mm (2 inches), move the skids, gage wheels, and rollers to the highest holes.



**Figure 19**

## Adjusting the Wing Mower Decks

1. Start the engine and raise the mower decks so you can change the height of cut.
2. Shut off the engine and remove the key after you raise the mower deck.
3. Position the caster-wheel axles in the same holes in all of the caster forks; refer to the chart to determine the correct holes for the height-of-cut setting (Figure 20).

**Note:** To prevent grass buildup between the wheel and the fork, operate the machine at the 76 mm (3 inches) height of cut or higher and install the axle bolt in the bottom caster-fork hole. When operating the machine at a height of cut lower than 76 mm (3 inches) and when you detect grass buildup, reverse the direction of the machine to pull any clippings away from the wheel and fork.

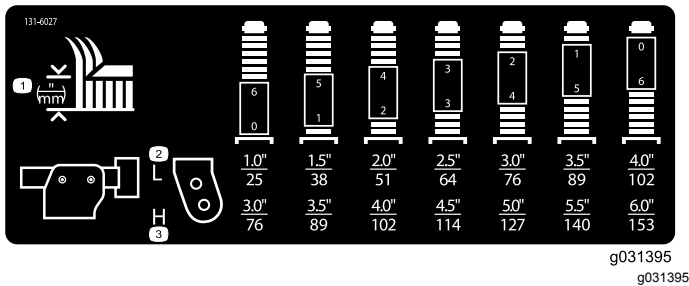


Figure 20

4. Using the supplied caster-cap wrench, loosen the tensioning cap and remove it from the caster-spindle shaft and slide the caster shaft out of the caster arm (Figure 21).

**Note:** You may use shims in any combination above or below the caster arm hub as required to achieve the desired height of cut or deck level.

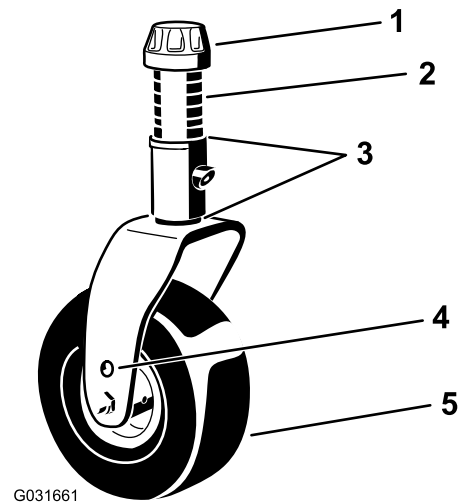


Figure 21

1. Tensioning cap
2. Spacers (6)
3. Shims (2 top and 2 bottom)
4. Top axle-mounting hole
5. Caster wheel

5. Install 2 shims onto the shaft as originally installed and slide the appropriate number of spacers onto the shaft to get the desired height of cut.
6. Push the caster shaft through the caster arm.
7. Install the shims (as originally installed) and the remaining spacers onto the shaft.
8. Install the tensioning cap and tighten it with the supplied caster-cap wrench to secure the assembly.

# Adjusting the Skids

## Adjusting the Inner Skids

Mount the inner skids in the lower position when operating at heights of cut greater than 51 mm (2 inches) and in the higher position when operating at heights of cut lower than 51 mm (2 inches).

Adjust the inner skids (Figure 22).

**Important:** Torque the screw at the front of each inner skid to 9 to 11 N·m (80 to 100 in-lb).

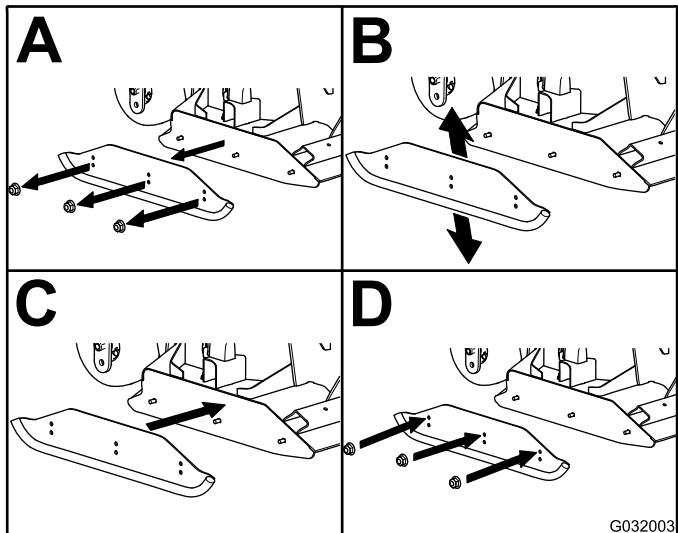
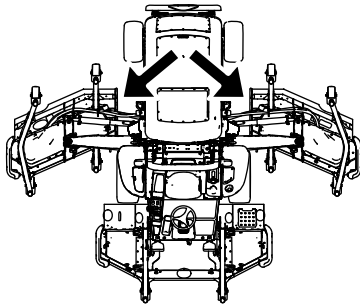
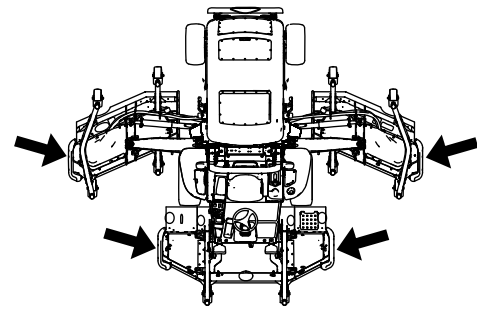


Figure 22



g202202

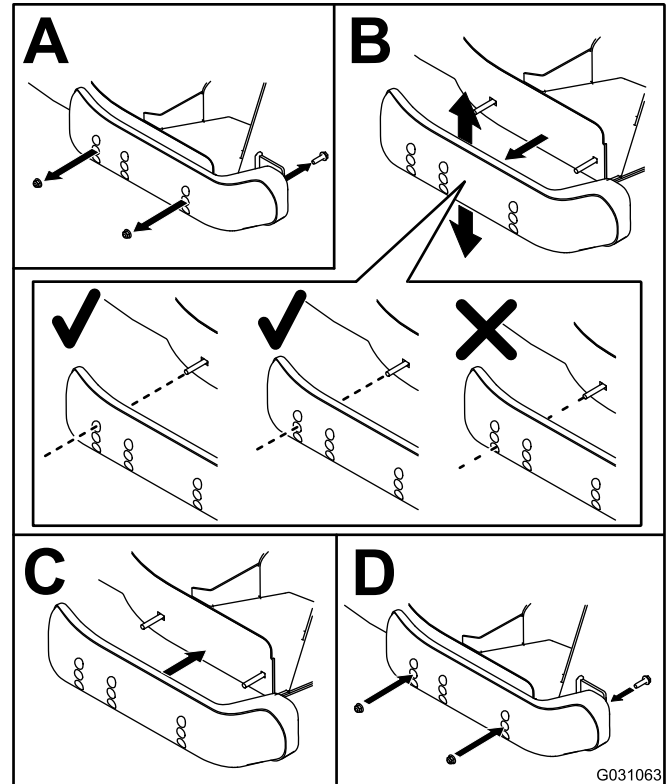


Figure 23

## Adjusting the Outer Skids

Mount the outer skids in the lower position when operating at heights of cut greater than 51 mm (2 inches) and in the higher position when operating at heights of cut lower than 51 mm (2 inches).

**Note:** When the outer skids become worn, you can switch them to the opposite sides of the mower by flipping them over. This allows you to use the outer skids longer before replacing them.

Adjust the outer skids (Figure 23).

**Important:** Torque the screw at the front of each outer skid to 9 to 11 N·m (80 to 100 in-lb).

# Adjusting the Mower Deck Anti-Scalp Rollers

Mount the roller in the lower position when operating at heights of cut greater than 51 mm (2 inches) and in a higher position when operating at heights of cut lower than 51 mm (2 inches).

## Adjusting the Roller

1. Remove the roller shaft, screw, and nut securing the roller to the deck bracket (Figure 24).

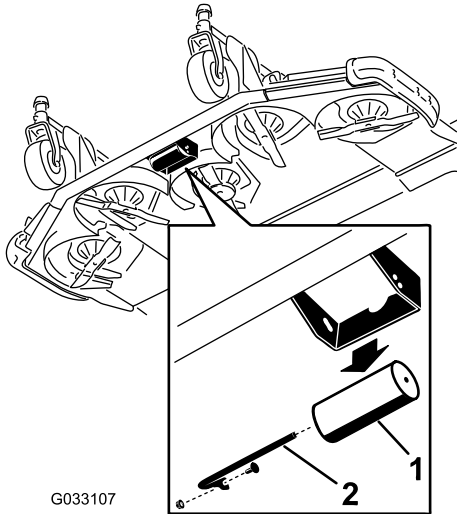


Figure 24

1. Roller
2. Roller shaft, screw, and nut

2. Align the roller with the top holes and install the shaft with the screw and nut (Figure 25).

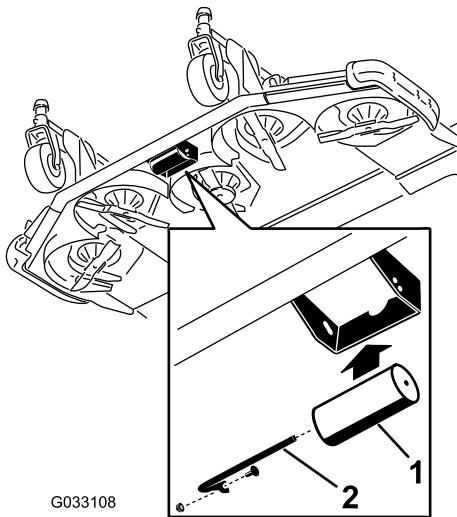


Figure 25

1. Roller
2. Roller shaft, screw, and nut

# Correcting a Mismatch Between the Mower Decks

Due to differences in grass conditions and the counterbalance setting of the traction unit, you should cut the grass and check the appearance before you begin mowing the entire area.

1. Set all mower decks to the desired height of cut; refer to [Adjusting the Height of Cut \(page 28\)](#).
2. Check and adjust the front and rear tire pressure.

**Note:** The correct air pressure in the front tires is 220 kPa (32 psi) and the rear tires is 207 kPa (30 psi).

3. Check and adjust all caster tire pressures to 340 kPa (50 psi).
4. Check the lift and counterbalance pressures with the engine throttle at HIGH IDLE using the test ports; refer to [Inspecting the Hydraulic System Test Ports \(page 86\)](#).
5. Check for bent blades; refer to [Checking for a Bent Blade \(page 89\)](#).
6. Cut grass in a test area to determine if all mower decks are mowing at the same height.
7. If you need to adjust a mower deck, find a flat surface using a 2 m (6 ft) or longer straight edge to ensure that the surface is flat.
8. To ease measuring the blade plane, raise the height of cut to the highest position; refer to [Adjusting the Height of Cut \(page 28\)](#).
9. Lower the mower decks onto the flat surface and remove the covers from the tops of the mower decks.

## Wing Mower Decks

1. Rotate the blade of each spindle until the ends face forward and backward.
2. For the outside blade spindle only, equally adjust the shims on the front caster forks to match the desired height of cut.
3. Measure from the floor to the front tip of the mowing blade.
4. Rotate the blade 180° and measure from the floor to the tip of the mowing blade.

**Note:** The rear of the blade should be 7.5 mm (0.3 inch) higher than the front.

**Note:** If you need to make an adjustment, adjust the shims on the rear caster forks.

# Matching the Height of Cut Between Mower Decks

1. Position the blade side to side on the outside spindle of both wing mower decks.
2. Measure from the floor to the tip of the cutting edge on both units and compare the measurements.

**Note:** These numbers should be within 3 mm (1/8 inch) of each other. Make no adjustment at this time.

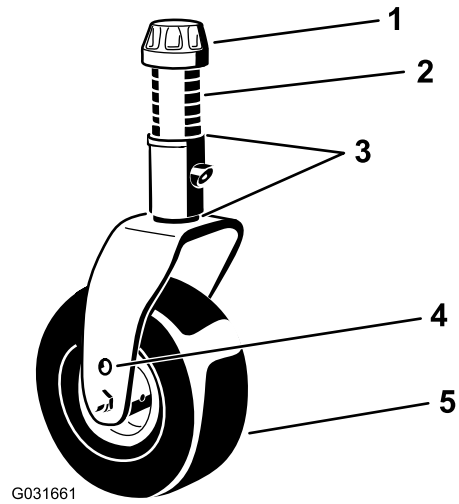
3. Position the blade side to side on the inside spindle of the wing mower deck and the corresponding outside spindle of the front mower deck.
4. Measure from the floor to the tip of the cutting edge on the inside edge of the wing mower deck to the corresponding outside edge of the front mower deck and compare.

**Note:** The wing mower deck caster wheels should remain on the ground with counterbalance applied.

**Note:** If you need to make an adjustment to match the cut between the front and wing mower deck, make them to the wing mower decks only.

5. If the inside edge of the wing mower deck is too high relative to the outside edge of the front mower deck, remove 1 shim from the bottom of the front, inside caster arm on the wing mower deck (Figure 26 and Figure 27).

**Note:** Check the measurement between the outside edges of both wing mower decks and the inside edge of the wing mower deck to outside edge of the front mower deck again.

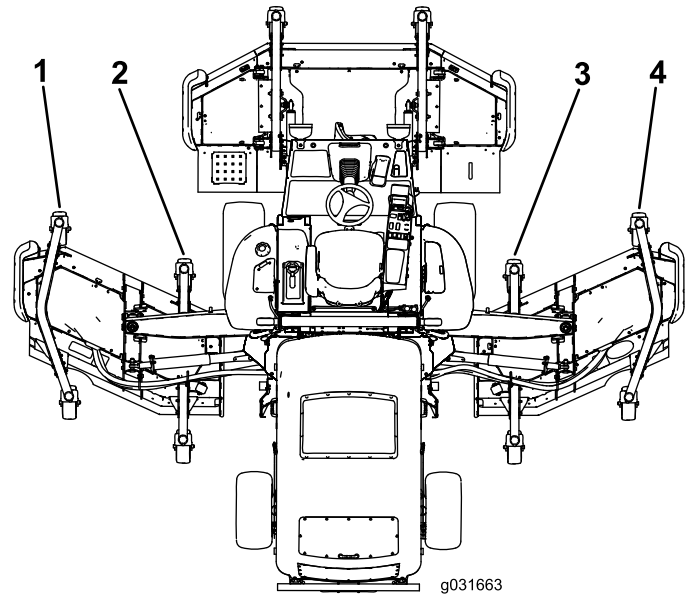


G031661

g031661

**Figure 26**

- |                               |                           |
|-------------------------------|---------------------------|
| 1. Tensioning cap             | 4. Top axle-mounting hole |
| 2. Spacers (6)                | 5. Caster wheel           |
| 3. Shims (2 top and 2 bottom) |                           |



g031663

g031663

**Figure 27**

- |                                    |                                     |
|------------------------------------|-------------------------------------|
| 1. Left, front, outside caster arm | 3. Right, front, inside caster arm  |
| 2. Left, front, inside caster arm  | 4. Right, front, outside caster arm |

6. If the inside edge is still too high, remove an additional shim from the bottom of the front, inside caster arm of the wing mower deck and 1 shim from the front, outside caster arm of the wing mower deck (Figure 26 and Figure 27).
7. If the inside edge of the wing mower deck is too low relative to the outside edge of the front mower deck, add 1 shim (1/8 inch) to the bottom of the front, inside caster arm on the wing mower deck (Figure 26 and Figure 27).

**Note:** Check the measurement between the outside edges of both wing mower decks and the inside edge of the wing mower deck to the outside edge of the front mower deck again.

- If the inside edge is still too low, add an additional shim to the bottom of front, inside caster arm of the wing mower deck and 1 shim to the front, outside caster arm of the wing mower deck.
- Once the mowing height matches at the edges of the front and wing mower decks, verify that the mower deck unit pitch is still 7.6 mm (0.3 inch).

## Adjusting the Mirrors For Machines with a Cab

### Rear-View Mirror

While sitting in the seat, adjust the rear-view mirror to attain the best view out of the rear window. Pull the lever rearward to tilt the mirror to reduce the brightness and glare of light (Figure 28).

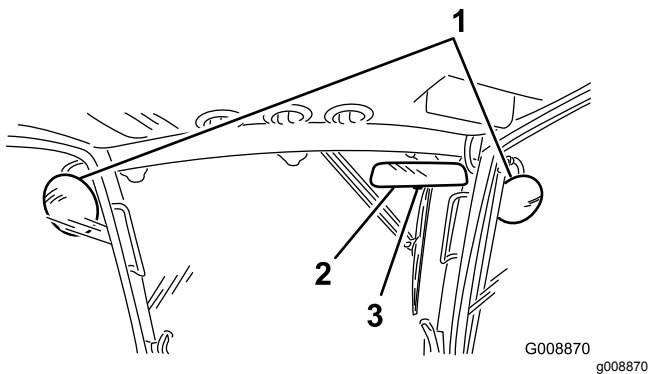


Figure 28

- Side-view mirrors
- Rear-view mirror
- Lever

### Side-View Mirrors

While sitting in the seat, have another person adjust the side-view mirrors to attain the best view around the side of the machine (Figure 28).

## Aiming the Headlights

### Model 31698 Only

- Loosen the mounting nuts and position each headlight so that it points straight ahead.  
**Note:** Tighten the mounting nut just enough to hold the headlight in position.
- Place a flat piece of sheet metal over the face of the headlight.

- Mount a magnetic protractor onto the plate.
- While holding the assembly in place, carefully tilt the headlight downward 3° then tighten the nut.
- Repeat this procedure on the other headlight.

## Checking the Safety-Interlock Switches

### ⚠ CAUTION

If safety-interlock switches are disconnected or damaged, the machine could potentially operate unexpectedly, causing personal injury.

- Do not tamper with or disable the safety systems.
- Check the operation of the interlock switches daily and replace any damaged switches before operating the machine.

The machine safety-interlock system is designed to disable the traction drive when the operator leaves the seat with the traction pedal out of the NEUTRAL position. The deck drive also disengages under the same condition. However, you may get off the seat while the engine is running if the traction pedal is in the NEUTRAL position.

- Drive the machine slowly to a large, open area.
- Lower the mower deck(s), shut off the engine, and engage the parking brake.

## Checking the Traction Neutral Safety-Interlock Function

- Move the traction pedal out of the NEUTRAL position and start the engine.

**Note:** The engine should not start. If it does start, there is a malfunction in the interlock system that you should correct before resuming operation.

- Remove your foot from the traction pedal, start the engine, and engage the parking brake.
- With the engine running, move the traction pedal out of the NEUTRAL position.

**Note:** The traction drive should not function. If it does function, there is a malfunction in the interlock system that you should correct before resuming operation.



## Checking the PTO Safety-Interlock Function

1. Start the engine.
2. With the engine running, rise from the seat and engage the PTO.

**Note:** The PTO should not engage. If it does engage, there is a malfunction in the interlock system that you should correct before resuming operation.

3. Sit on the seat and disengage the PTO.
4. With the engine running, engage the PTO and rise from the seat.

**Note:** The PTO drive should disengage after a 1-second delay. If it does not shut off, there is a malfunction in the interlock system that you should correct before resuming operation.

5. Sit on the seat, disengage the PTO, and start the engine.
6. With the engine running, engage the PTO and raise each mower deck individually.

**Note:** The blades of the raised mower deck should stop. If the blades do not stop, there is a malfunction in the interlock system that you should correct before resuming operation.

## Checking the Blade Stopping Time

**Service Interval:** Before each use or daily

The blades of the mower deck should come to a complete stop in approximately 5 seconds after you shut down the mower-deck-engagement switch.

**Note:** Ensure that the decks are lowered onto a clean section of turf or hard surface to avoid thrown dust and debris. To verify the stopping time, have someone stand back from the deck at least 6 m (20 ft) and watch the blades on 1 of the mower decks. Shut the mower decks down and record the time that it takes for the blades to come to a complete stop. If the time is greater than 7 seconds, adjust the braking valve; contact your Toro distributor for assistance in making this adjustment.

## *During Operation*

### During Operation Safety

#### General Safety

- The owner/operator can prevent and is responsible for accidents that may cause personal injury or property damage.
- Wear appropriate clothing, including eye protection; long pants; substantial, slip-resistant footwear; and hearing protection. Tie back long hair and do not wear loose jewelry.
- Do not operate the machine while ill, tired, or under the influence of alcohol or drugs.
- Never carry passengers on the machine and keep bystanders and pets away from the machine during operation.
- Operate the machine only in good visibility to avoid holes or hidden hazards.
- Before you start the engine, ensure that all drives are in neutral, the parking brake is engaged, and you are in the operating position.
- Keep your hands and feet away from rotating parts. Keep clear of the discharge opening at all times.
- Look behind and down before backing up to be sure of a clear path.
- Use care when approaching blind corners, shrubs, trees, or other objects that may obscure your vision.
- Stop the blades whenever you are not mowing.
- Stop the machine, remove the key, and wait for all moving parts to stop before inspecting the attachment after striking an object or if there is an abnormal vibration in the machine. Make all necessary repairs before resuming operation.
- Slow down and use caution when making turns and crossing roads and sidewalks with the machine. Always yield the right-of-way.
- Disengage the drive to the cutting unit, shut off the engine, remove the key, and wait for all moving parts to stop before adjusting the height of cut (unless you can adjust it from the operating position).
- Never run an engine in an area where exhaust gasses are enclosed.
- Never leave a running machine unattended.
- Before leaving the operating position (including to empty the catchers or to unclog the chute), do the following:
  - Park the machine on level ground.

- Disengage the power takeoff and lower the attachments.
- Engage the parking brake.
- Shut off the engine and remove the key.
- Wait for all moving parts to stop.
- Do not operate the machine when there is the risk of lightning.
- Do not use the machine as a towing vehicle.
- Use accessories, attachments, and replacement parts approved by The Toro® Company only.

## Rollover Protection System (ROPS) Safety

- **Do not** remove the ROPS from the machine.
- Ensure that the seat belt is attached and that you can release it quickly in an emergency.
- Check carefully for overhead obstructions and do not contact them.
- Keep the ROPS in safe operating condition by thoroughly inspecting it periodically for damage and keeping all the mounting fasteners tight.
- Replace a damaged ROPS components. Do not repair or alter them.

### Machines with Cabs

- The ROPS is an integral and effective safety device.
- A cab installed by Toro is a roll bar.
- Always wear your seat belt.

### Machines with a Fixed Roll Bar

- The ROPS is an integral safety device.
- Always wear your seat belt.

## Slope Safety

Slopes are a major factor related to loss of control and rollover accidents, which can result in severe injury or death. You are responsible for safe slope operation. Operating the machine on any slope requires extra caution.

- Evaluate the site conditions to determine if the slope is safe for machine operation including surveying the site. Always use common sense and good judgment when performing this survey.
- Review the slope instructions listed below for operating the machine on slopes and review the conditions in which you would operate the machine to determine whether you can operate

it in the conditions on that day and at that site. Changes in the terrain can result in a change in slope operation for the machine.

- Avoid starting, stopping, or turning the machine on slopes. Avoid making sudden changes in speed or direction. Make turns slowly and gradually.
- Do not operate a machine under any conditions where traction, steering, or stability is in question.
- Remove or mark obstructions such as ditches, holes, ruts, bumps, rocks, or other hidden hazards. Tall grass can hide obstructions. Uneven terrain could overturn the machine.
- Be aware that operating the machine on wet grass, across slopes, or downhill may cause the machine to lose traction. Loss of traction to the drive wheels may result in sliding and a loss of braking and steering.
- Use extreme caution when operating the machine near drop-offs, ditches, embankments, water hazards, or other hazards. The machine could suddenly roll over if a wheel goes over the edge or the edge caves in. Establish a safety area between the machine and any hazard.
- Identify hazards at the base of the slope. If there are hazards, mow the slope with a pedestrian-controlled machine.
- If possible, keep the cutting unit(s) lowered to the ground while operating on slopes. Raising the cutting unit(s) while operating on slopes can cause the machine to become unstable.
- Use extreme caution while operating the machine with grass-collection systems or other attachments. These can change the stability of the machine and cause a loss of control.



# Starting the Engine

1. Ensure that the parking brake is engaged.
2. Remove your foot from the traction pedal and ensure that it is in the NEUTRAL position.
3. Turn the ignition key to the RUN position.
4. When the glow indicator dims, turn the ignition key to the START position.
5. Release the key immediately when the engine starts and allow it to return to the RUN position.
6. Allow the engine to warm up at low speed (without load) for 3 to 5 minutes, then actuate the throttle switch to attain the desired engine speed.

**Important:** The starter motor automatically disengages after 30 seconds to prevent premature starter motor failure. If the engine fails to start after 30 seconds, turn the key to the OFF position, check the controls and procedures again, wait 2 minutes, and repeat the starting procedure.

**Note:** When the hydraulic-fluid temperature is below 4°C (40°F), the machine operates in a warm-up mode; limiting the engine speed to 1,650 rpm and preventing traction-drive operation in High range. When the fluid temperature reaches 4°C (40°F), the warm-up mode disables.

# Shutting Off the Engine

1. Set the throttle switch to the LOW-IDLE position.
2. Move the PTO switch to the OFF position.
3. Engage the parking brake.
4. Rotate the ignition key to the OFF position.
5. Remove the key from the switch to prevent accidental starting.

**Important:** Allow the engine to idle for 5 minutes before shutting it off after a full-load operation. Failure to do so may lead to turbo-charger complications.

# Raising or Lowering the Decks

## Raising the Decks

1. While sitting in the operator's seat, start the engine.

**Note:** Whenever you are running the machine at under 2,000 rpm (e.g., when you are running

the engine at low idle or transporting the machine into or out of a building), you will not be able raise all the mower decks at once. Instead, you can only raise 1 mower deck at a time.

2. Push the deck-lift switches rearward to raise the decks.

## Lowering the Decks

1. Using the handle, unhook the latches holding the decks in the raised position.
2. While sitting in the operator's seat, turn the ignition key to the RUN position (Figure 29).

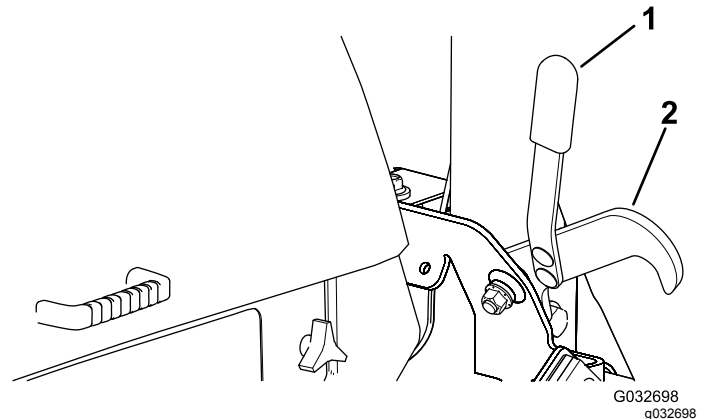


Figure 29

1. Handle
2. Latch

3. Push the deck-lift switches forward to lower the decks.

# Diesel Particulate Filter Regeneration

The diesel particulate filter (DPF) is part of the exhaust system. The diesel-oxidation catalyst of the DPF reduces harmful gasses and the soot filter removes soot from the engine exhaust.

The DPF regeneration process uses heat from the engine exhaust to incinerate the soot accumulated on the soot filter, converting the soot to ash, and clears the channels of the soot filter so that filtered engine exhaust flows out the DPF.

The engine computer monitors the accumulation of soot by measuring the back pressure in the DPF. If the back pressure is too high, soot is not incinerating in the soot filter through normal engine operation. To keep the DPF clear of soot, remember the following:

- Passive regeneration occurs continuously while the engine is running—run the engine at full engine speed when possible to promote DPF regeneration.
- If the back pressure in the DPF is too high or a reset regeneration has not occurred for 100 hours, the engine computer signals you through the InfoCenter when reset regeneration is running.
- Allow the reset regeneration process to complete before shutting off the engine.

Operate and maintain your machine with the function of the DPF in mind. Engine load at high idle (full throttle) engine speed generally produces adequate exhaust temperature for DPF regeneration.

**Important:** Minimize the amount of time that you idle the engine or operate the engine at low-engine speed to help reduce the accumulation of soot in the soot filter.




## DPF Soot Accumulation

- Over time, the diesel particulate filter accumulates soot in the soot filter. The computer for the engine monitors the soot level in the DPF.
- When enough soot accumulates, the computer informs you that it is time to regenerate the DPF.
- DPF regeneration is a process that heats the DPF to convert the soot to ash.
- In addition to the warning messages, the computer reduces the power produced by the engine at different soot-accumulation levels.

## DPF Ash Accumulation


- The lighter ash is discharged through the exhaust system; the heavier ash collects in the soot filter.
- Ash is a residue of the regeneration process. Over time, the diesel particulate filter accumulates ash that does not discharge with the engine exhaust.
- The computer for the engine calculates the amount of ash accumulated in the DPF.
- When enough ash accumulates, the engine computer sends information to the InfoCenter in the form of an engine fault to indicate the accumulation of ash in the DPF.
- The fault messages indicate that it is time to service the DPF.
- In addition to the warnings, the computer reduces the power produced by the engine at different ash-accumulation levels.

# InfoCenter Advisory and Engine Warning Messages—Ash Accumulation


Indication Level	Fault Code	Engine Speed Reduction	Engine Power Rating	Recommended Action																		
<p>Level 1: Engine Warning</p>	<div style="background-color: black; color: white; padding: 5px; text-align: center;"> <b>ACTIVE FAULT</b>                      SPN = 3720                      HIGH                      PRESS ANY KEY                 </div> <div style="text-align: center; margin: 10px 0;">  </div> <table border="1" style="width: 100%; border-collapse: collapse;"> <thead> <tr> <th style="text-align: left;">TOTAL ALARMS</th> <th style="text-align: left;">1</th> <th style="text-align: left;">FAIL MODE</th> </tr> <tr> <th style="text-align: left;">SRC</th> <th style="text-align: left;">DESCRIPTION</th> <th style="text-align: left;">FAIL MODE</th> </tr> </thead> <tbody> <tr> <td>1.</td> <td>HYDRAULIC</td> <td>HIGH</td> </tr> <tr> <td>0x00</td> <td>ENG HRS - 0</td> <td>FMI - 0</td> </tr> <tr> <td></td> <td>SPN - 3720</td> <td></td> </tr> <tr> <td></td> <td>OCC CNT - 1</td> <td></td> </tr> </tbody> </table> <p style="text-align: center; font-size: small;">g243501</p> <p style="text-align: center;"><b>Figure 30</b> Check Engine SPN 3720, FMI 16</p>	TOTAL ALARMS	1	FAIL MODE	SRC	DESCRIPTION	FAIL MODE	1.	HYDRAULIC	HIGH	0x00	ENG HRS - 0	FMI - 0		SPN - 3720			OCC CNT - 1		<p style="text-align: center;">None</p>	<p style="text-align: center;">The computer de-rates the engine power to 85%.</p>	<p style="text-align: center;">Service the DPF; refer to <a href="#">Servicing the Diesel-Oxidation Catalyst (DOC) and the Soot Filter</a> (page 69)</p>
TOTAL ALARMS	1	FAIL MODE																				
SRC	DESCRIPTION	FAIL MODE																				
1.	HYDRAULIC	HIGH																				
0x00	ENG HRS - 0	FMI - 0																				
	SPN - 3720																					
	OCC CNT - 1																					
<p>Level 2: Engine Warning</p>	<div style="background-color: black; color: white; padding: 5px; text-align: center;"> <b>ACTIVE FAULT</b>                      SPN = 3720                      HIGH                      PRESS ANY KEY                 </div> <div style="text-align: center; margin: 10px 0;">  </div> <table border="1" style="width: 100%; border-collapse: collapse;"> <thead> <tr> <th style="text-align: left;">TOTAL ALARMS</th> <th style="text-align: left;">1</th> <th style="text-align: left;">FAIL MODE</th> </tr> <tr> <th style="text-align: left;">SRC</th> <th style="text-align: left;">DESCRIPTION</th> <th style="text-align: left;">FAIL MODE</th> </tr> </thead> <tbody> <tr> <td>1.</td> <td>HYDRAULIC</td> <td>HIGH</td> </tr> <tr> <td>0x00</td> <td>ENG HRS - 0</td> <td>FMI - 0</td> </tr> <tr> <td></td> <td>SPN - 3720</td> <td></td> </tr> <tr> <td></td> <td>OCC CNT - 1</td> <td></td> </tr> </tbody> </table> <p style="text-align: center; font-size: small;">g243501</p> <p style="text-align: center;"><b>Figure 31</b> Check Engine SPN 3720, FMI 16</p>	TOTAL ALARMS	1	FAIL MODE	SRC	DESCRIPTION	FAIL MODE	1.	HYDRAULIC	HIGH	0x00	ENG HRS - 0	FMI - 0		SPN - 3720			OCC CNT - 1		<p style="text-align: center;">None</p>	<p style="text-align: center;">The computer de-rates the engine power to 50%.</p>	<p style="text-align: center;">Service the DPF; refer to <a href="#">Servicing the Diesel-Oxidation Catalyst (DOC) and the Soot Filter</a> (page 69)</p>
TOTAL ALARMS	1	FAIL MODE																				
SRC	DESCRIPTION	FAIL MODE																				
1.	HYDRAULIC	HIGH																				
0x00	ENG HRS - 0	FMI - 0																				
	SPN - 3720																					
	OCC CNT - 1																					
<p>Level 3: Engine Warning</p>	<div style="background-color: black; color: white; padding: 5px; text-align: center;"> <b>ACTIVE FAULT</b>                      SPN = 3251                      HIGH                      PRESS ANY KEY                 </div> <div style="text-align: center; margin: 10px 0;">  </div> <table border="1" style="width: 100%; border-collapse: collapse;"> <thead> <tr> <th style="text-align: left;">TOTAL ALARMS</th> <th style="text-align: left;">1</th> <th style="text-align: left;">FAIL MODE</th> </tr> <tr> <th style="text-align: left;">SRC</th> <th style="text-align: left;">DESCRIPTION</th> <th style="text-align: left;">FAIL MODE</th> </tr> </thead> <tbody> <tr> <td>1.</td> <td>HYDRAULIC</td> <td>HIGH</td> </tr> <tr> <td>0x00</td> <td>ENG HRS - 0</td> <td>FMI - 0</td> </tr> <tr> <td></td> <td>SPN - 3251</td> <td></td> </tr> <tr> <td></td> <td>OCC CNT - 1</td> <td></td> </tr> </tbody> </table> <p style="text-align: center; font-size: small;">g243500</p> <p style="text-align: center;"><b>Figure 32</b> Check Engine SPN 3251, FMI 0</p>	TOTAL ALARMS	1	FAIL MODE	SRC	DESCRIPTION	FAIL MODE	1.	HYDRAULIC	HIGH	0x00	ENG HRS - 0	FMI - 0		SPN - 3251			OCC CNT - 1		<p style="text-align: center;">Engine speed at maximum torque + 200 rpm</p>	<p style="text-align: center;">The computer de-rates the engine power to 50%.</p>	<p style="text-align: center;">Service the DPF; refer to <a href="#">Servicing the Diesel-Oxidation Catalyst (DOC) and the Soot Filter</a> (page 69)</p>
TOTAL ALARMS	1	FAIL MODE																				
SRC	DESCRIPTION	FAIL MODE																				
1.	HYDRAULIC	HIGH																				
0x00	ENG HRS - 0	FMI - 0																				
	SPN - 3251																					
	OCC CNT - 1																					

# Types of Diesel Particulate Filter Regeneration


## Types of diesel particulate filter regeneration that are performed while the machine is operating:

Type of Regeneration	Conditions that cause DPF regeneration	DPF description of operation
<b>Passive</b>	Occurs during normal operation of the machine at high-engine speed or high-engine load	<ul style="list-style-type: none"> <li>The InfoCenter does not display an icon indicating passive regeneration.</li> <li>During passive regeneration, the DPF processes high-heat exhaust gasses, oxidizing harmful emissions, and burning soot to ash.</li> </ul> Refer to <a href="#">Passive DPF Regeneration (page 43)</a> .
<b>Assist</b>	Occurs because of low-engine speed, low-engine load, or after the computer detects the DPF is becoming obstructed with soot	<ul style="list-style-type: none"> <li>The InfoCenter does not display an icon indicating assist regeneration.</li> <li>During assist regeneration, the engine computer adjusts the engine settings to raise the exhaust temperature.</li> </ul> Refer to <a href="#">Assist DPF Regeneration (page 43)</a> .
<b>Reset</b>	Occurs every 100 hours  Also occurs after assist regeneration only if the computer detects that assist regeneration did not sufficiently reduce the soot level	 <ul style="list-style-type: none"> <li>When the high exhaust-temperature icon is displayed in the InfoCenter, a regeneration is in progress.</li> <li>During reset regeneration, the engine computer adjusts the engine settings to raise the exhaust temperature.</li> </ul> Refer to <a href="#">Reset Regeneration (page 43)</a> .

## Types of diesel particulate filter regeneration that require you to park the machine:

Type of Regeneration	Conditions that cause DPF regeneration	DPF description of operation
<b>Parked</b>	Occurs because the computer detects back pressure in the DPF due to soot buildup  Also occurs because the operator initiates a parked regeneration  May occur because you set the InfoCenter to inhibit reset regeneration and continued operating the machine, adding more soot when the DPF already needs a reset regeneration  May result from using the incorrect fuel or engine oil	<ul style="list-style-type: none"> <li>When the reset-standby/parked or recovery regeneration icon  or ADVISORY #188 displays in the InfoCenter, a regeneration is requested.</li> <li>Perform the parked regeneration as soon as possible to avoid needing a recovery regeneration.</li> <li>A parked regeneration requires 30 to 60 minutes to complete.</li> <li>You must have at least a 1/4 tank of fuel in the tank.</li> <li>You must park the machine to perform a parked regeneration.</li> </ul> Refer to <a href="#">Parked or Recovery Regeneration (page 45)</a> .

## Types of diesel particulate filter regeneration that require you to park the machine: (cont'd.)

Type of Regeneration	Conditions that cause DPF regeneration	DPF description of operation
Recovery	Occurs because the operator ignored requests for a parked regeneration and continued operating the machine, adding more soot to the DPF	<ul style="list-style-type: none"> <li>When the reset-standby/parked or recovery regeneration icon  or ADVISORY #190 displays in the InfoCenter, a recovery regeneration is requested.</li> <li>A recovery regeneration requires up to 3 hours to complete.</li> <li>You must have at least a 1/2 tank of fuel in the machine.</li> <li>You must park the machine to perform a recovery regeneration.</li> </ul> <p>Refer to <a href="#">Parked or Recovery Regeneration (page 45)</a>.</p>

## Accessing the DPF Regeneration Menus

### Accessing the DPF Regeneration Menus

1. Access the Service menu, and press buttons 1 or 2 to scroll to the DPF REGENERATION option ([Figure 33](#)).

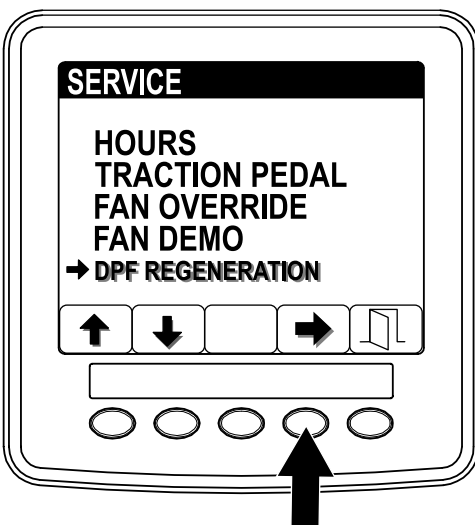


Figure 33

g241798

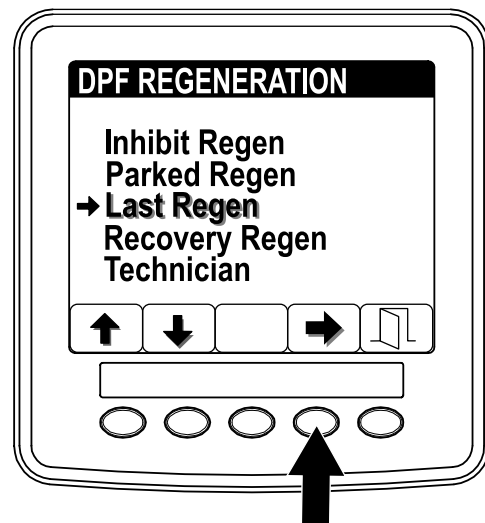


Figure 34

g241811

2. Press the button 4 to select the Last Regen entry ([Figure 34](#)).
3. Use the LAST REGEN field ([Figure 35](#)) to determine how many hours you have run the engine since the last reset, parked, or recovery regeneration.

2. Press the button 4 to select the DPF Regeneration entry ([Figure 33](#)).

### Time Since Last Regeneration

1. Access the DPF Regeneration menu, and press buttons 1 or 2 to scroll to the LAST REGEN option ([Figure 34](#)).

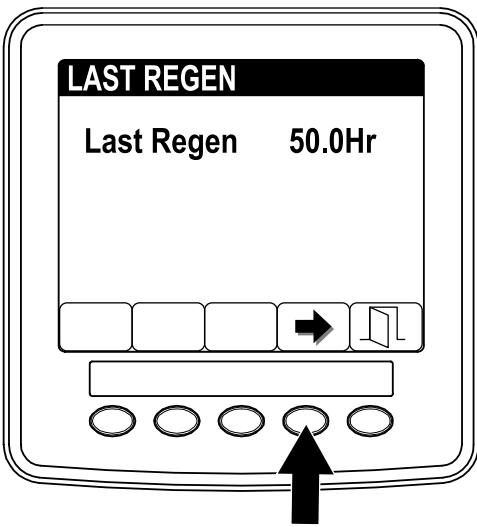


Figure 35

g241812

- Press button 4 to return to the DPF regeneration screen or press button 5 to exit the service menu and return to the home screen.

### Technician Menu

**Important:** For operating convenience, you may decide to perform a parked regeneration before the soot load reaches 100%, provided the engine has run more than 50 hours since the last successful reset, parked, or recovery regeneration.

Use the technician menu to view the current state of engine regeneration control and view the reported soot level.

- Access the DPF Regeneration menu, and press buttons 1 or 2 to scroll down to the TECHNICIAN option (Figure 36).

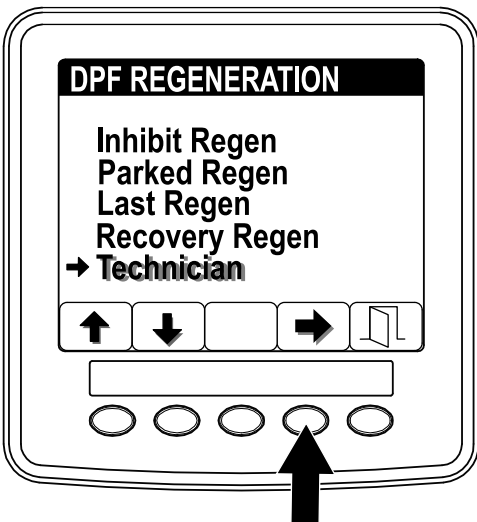


Figure 36

g241814

- Press the button 4 to select the Technician entry (Figure 36)

The state and soot load information displays.

- Use the DPF operation table to understand the current state of DPF operation (Figure 37).

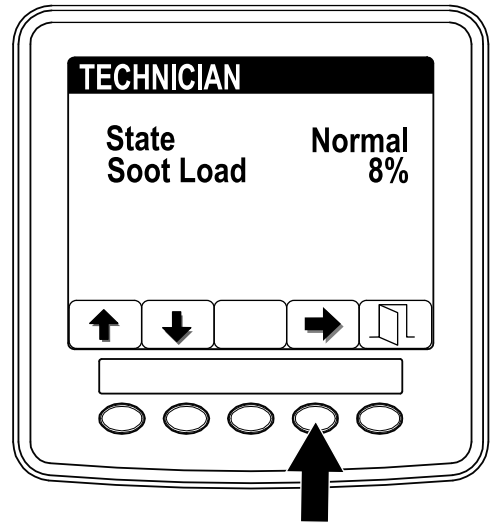


Figure 37

g241815

### DPF Operation Table

State	Description	
Normal	The DPF is in normal-operating mode—passive regeneration.	
Assist Regen	The engine computer is performing an assist regeneration.	
Reset Stby	The engine computer is trying to run a reset regeneration, but 1 of the following conditions prevents regeneration:	The regen inhibit setting is set to ON.  The exhaust temperature is too low for regeneration.
Reset Regen	The engine computer is running a reset regeneration.	
Parked Stby	The engine computer is requesting that you run a parked regeneration.	
Parked Regen	You initiated a parked regeneration request and the engine computer is processing the regeneration.	
Recov. Stby	The engine computer is requesting that you run a recovery regeneration.	
Recov. Regen	You initiated a recovery regeneration request and the engine computer is processing the regeneration.	

- View the soot load which is measured as the percentage of soot in the DPF (Figure 38); refer to the soot-load table.

**Note:** The soot load value varies as the machine is operated and DPF regeneration occurs.

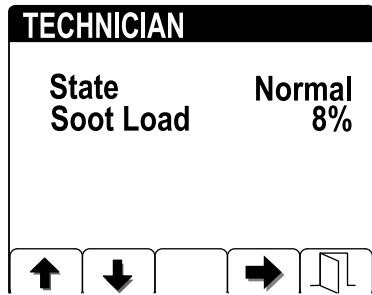


Figure 38

g241816

## Soot-Load Table

Important Soot Load Values	Regeneration State
0% to 5%	Minimum soot load range
78%	The engine computer performs an assist regeneration.
100%	The engine computer automatically requests a parked regeneration.
122%	The engine computer automatically requests a recovery regeneration.

- Press button 4 to return to the technician screen or press button 5 to exit the service menu and return to the home screen.

## Passive DPF Regeneration

- Passive regeneration occurs as part of normal engine operation.
- While operating the machine, run the engine at full-engine speed and high load when possible to promote DPF regeneration.

## Assist DPF Regeneration

- The engine computer adjusts engine settings to raise the exhaust temperature.
- While operating the machine, run the engine at full engine speed and high load when possible to promote DPF regeneration.

## Reset Regeneration

### ⚠ CAUTION

The exhaust temperature is hot (approximately 600°C (1,112°F) during DPF regeneration. Hot exhaust gas can harm you or other people.

- Never operate the engine in an enclosed area.
- Make sure that there are no flammable materials around the exhaust system.
- Never touch a hot exhaust system component.
- Never stand near or around the exhaust pipe of the machine.

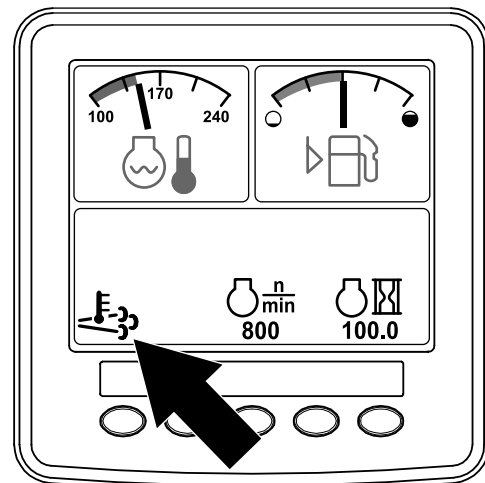



Figure 39

g241828

- The high exhaust-temperature icon  displays in the InfoCenter (Figure 39).
- The engine computer adjusts engine settings to raise the exhaust temperature.

**Important:** The high exhaust-temperature icon indicates that the exhaust temperature discharged from of your machine may be hotter than during regular operation.

- While operating the machine, run the engine at full engine speed and high load when possible to promote DPF regeneration.
- The icon displays in the InfoCenter while the reset regeneration is processing.
- Whenever possible, do not shut off the engine or reduce engine speed while the reset regeneration is processing.

**Important:** Whenever possible, allow the machine to complete the reset regeneration process before shutting off the engine.

## Periodic Reset Regeneration

If the engine has not completed a successful Reset, Parked, or Recovery regeneration in the previous 100 hours of engine operation, the engine computer will attempt to perform a reset regeneration.

## Setting the Inhibit Regen

### Reset Regeneration Only

**Note:** If you set the InfoCenter to inhibit regeneration, the InfoCenter displays ADVISORY #1215 (Figure 40) every 15 minutes while the engine requests a reset regeneration.

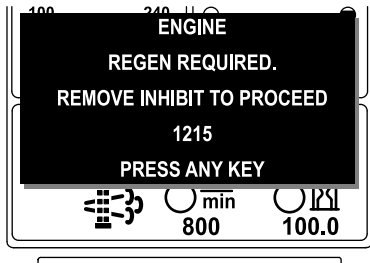


Figure 40

g241829

2. Press the button 4 to select the Inhibit Regen entry (Figure 41).
3. Press the button 4 to change the inhibit regeneration setting from On to Off (Figure 42) or from Off to On.

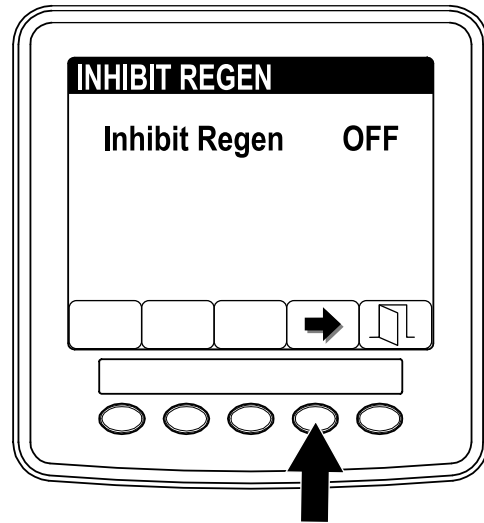


Figure 42

g241916

A reset regeneration produces the elevated engine exhaust. If you are operating the machine around trees, brush, tall grass, or other temperature-sensitive plants or materials, you can use the Inhibit Regen setting to prevent the engine computer from performing a reset regeneration.

**Important:** When you shut off the engine and start it again, the inhibit regen setting defaults to OFF.

1. Access the DPF Regeneration menu, and press buttons 1 or 2 to scroll down to the INHIBIT REGEN option (Figure 41).

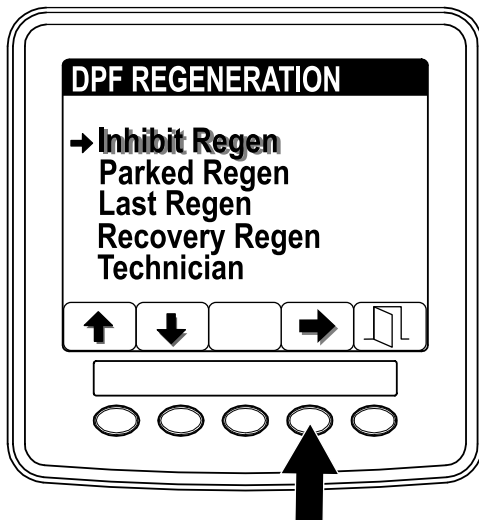



Figure 41

g241830

## Allowing a Reset Regeneration

The InfoCenter displays the high exhaust-temperature

icon  when the reset regeneration is in process.

**Note:** If INHIBIT REGEN is set to ON, the InfoCenter displays ADVISORY #1215 (Figure 43). Press any button to set inhibit regeneration setting to OFF and continue with the reset regeneration.

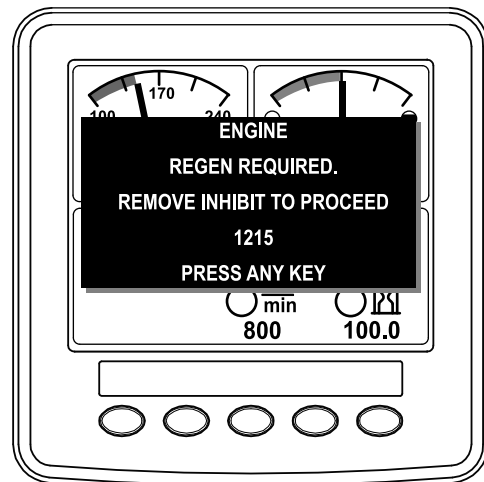


Figure 43

g244939

**Note:** If the engine exhaust temperature is too low, the InfoCenter displays ADVISORY #1216 (Figure 44) to inform you to set the engine to full throttle (high idle).



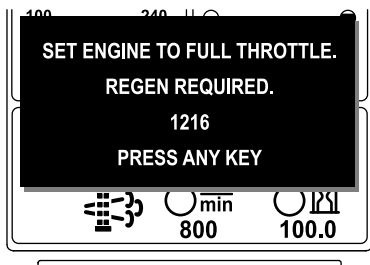



Figure 44

g241833

**Note:** When the reset regeneration completes, the

high exhaust-temperature  disappears from the InfoCenter screen.

## Parked or Recovery Regeneration

- When the engine computer requests either a parked regeneration or a recovery regeneration, the regeneration request icon ([Figure 45](#)) displays in the InfoCenter.

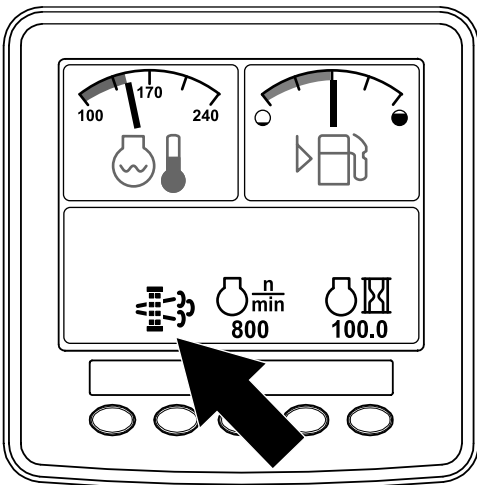


Figure 45

g241834

- The machine does not automatically perform a parked regeneration or a recovery regeneration, you must run the regeneration through the InfoCenter.

## Parked Regeneration Messages

When a parked regeneration is requested by the engine computer the following messages display in the InfoCenter:

- Engine warning SPN 3720, FMI 16 ([Figure 46](#))



TOTAL ALARMS	1	FAIL MODE
SRC	DESCRIPTION	
1.	HYDRAULIC	HIGH
0x00	ENG HRS - 0	FMI - 0
	SPN - 3720	
	OCC CNT - 1	

Figure 46

g243501

- Parked regeneration required ADVISORY #1212 ([Figure 47](#))

**Note:** Advisory #1212 displays every 15 minutes.

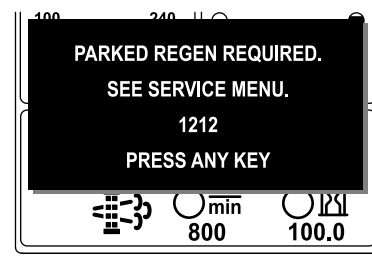


Figure 47

g241835

- If you do not perform a parked regeneration within 2 hours, the InfoCenter displays parked regeneration required—power takeoff disabled ADVISORY #1213 ([Figure 48](#)).



Figure 48

g241836

**Important:** Perform a parked regeneration to restore the PTO function; refer to [Preparing to Perform a Parked or Recovery Regeneration](#) (page 47) and [Performing a Parked or Recovery Regeneration](#) (page 47).

**Note:** The Home screen displays the power takeoff disabled ADVISORY #1213 every 15 minutes until you perform a parked regeneration or the engine computer requires you to perform a recovery regeneration.

## Recovery Regeneration Messages

When a recovery regeneration is requested by the engine computer, the following messages display in the InfoCenter:

Recovery regeneration required—power takeoff disabled ADVISORY #1214 (Figure 49)



Figure 49

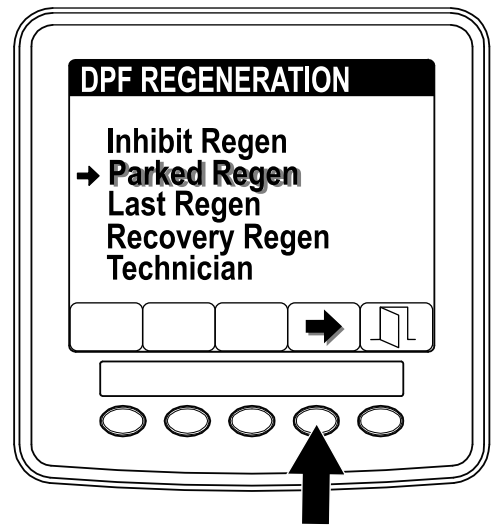
g241848

**Important:** Perform a recovery regeneration to restore the PTO function; refer to [Preparing to Perform a Parked or Recovery Regeneration \(page 47\)](#) and [Performing a Parked or Recovery Regeneration \(page 47\)](#).

**Note:** The Home screen displays the power takeoff disabled ADVISORY #1214 every 15 minutes until you perform a recovery regeneration.

## DPF Status-Limitation

- If the engine computer requests a recovery regeneration or is processing a recovery regeneration and you select the PARKED REGEN option (Figure 50), Parked Regen screen locks (unavailable).



g241999

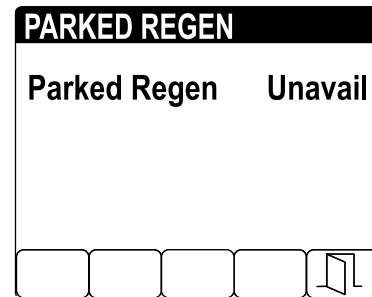
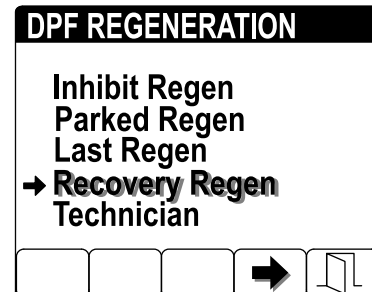


Figure 50

g241997

- If the engine computer has not requested a recovery regeneration and you select the RECOVERY REGEN option (Figure 51), Recovery Regen screen locks (unavailable).



g242000

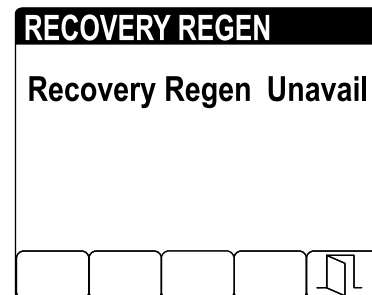


Figure 51

g241998

## Preparing to Perform a Parked or Recovery Regeneration

1. Ensure that the machine has fuel in the tank for the type of regeneration you are performing:
  - **Parked Regeneration:** Ensure that you have 1/4 tank of fuel before performing the parked regeneration.
  - **Recovery Regeneration:** Ensure that you have 1/2 tank of fuel before performing the recovery regeneration.
2. Move the machine outside to an area away from combustible materials.
3. Park the machine on a level surface.
4. Ensure that the traction control or motion-control levers are in the NEUTRAL position.
5. If applicable, shut off the PTO, and lower the cutting units or accessories.
6. Engage the parking brake.
7. Set the throttle to the low IDLE position.

## Performing a Parked or Recovery Regeneration

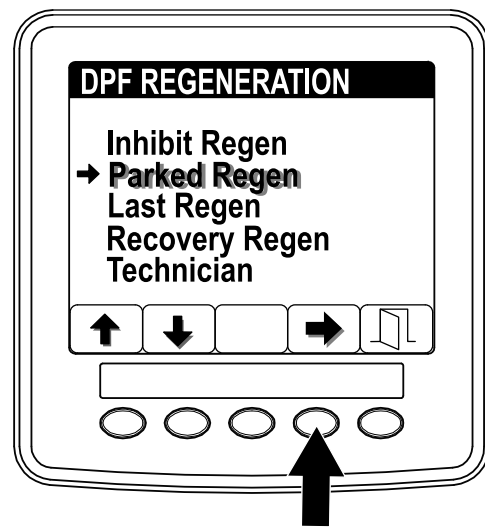
### ⚠ CAUTION

The exhaust temperature is hot (approximately 600°C (1,112°F) during DPF regeneration. Hot exhaust gas can harm you or other people.

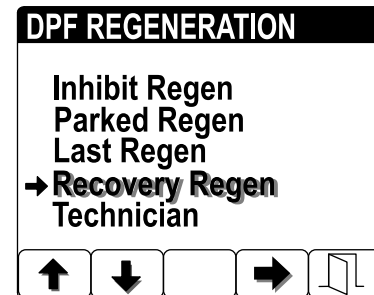
- **Never operate the engine in an enclosed area.**
- **Make sure that there are no flammable materials around the exhaust system.**
- **Never touch a hot exhaust system component.**
- **Never stand near or around the exhaust pipe of the machine.**

**Important:** The computer of the machine cancels DPF regeneration if you increase the engine speed from low idle or release the parking brake.

1. Access the DPF Regeneration menu, and press buttons 1 or 2 to scroll down to the PARKED REGEN option or the RECOVERY REGEN option (Figure 52).



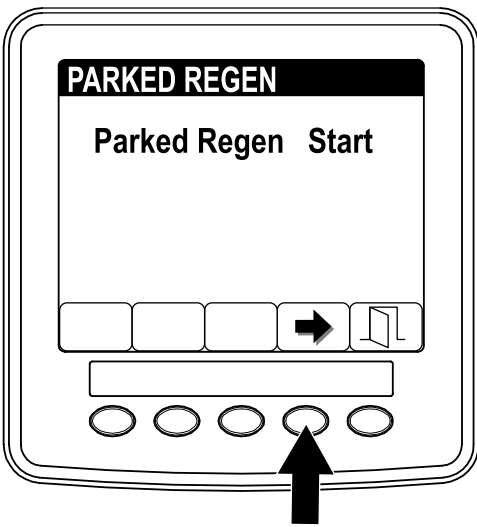
g241869



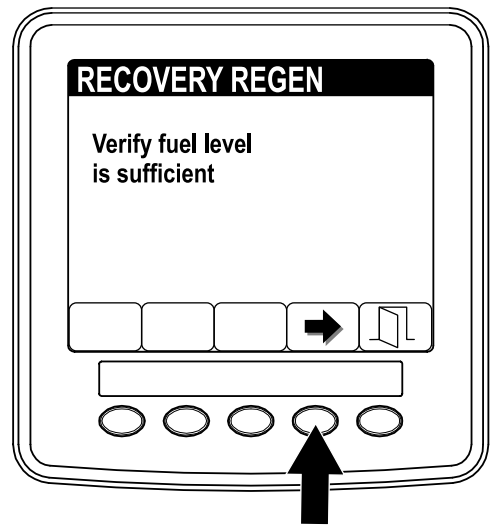
g241870

Figure 52

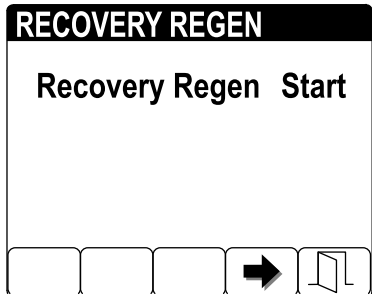
2. Press the button 4 to select the Parked Regen entry or the Recovery Regen entry (Figure 53).
3. On the Parked Regen menu or Recovery Regen menu, press the button 4 to start the regeneration (Figure 53).



g241892

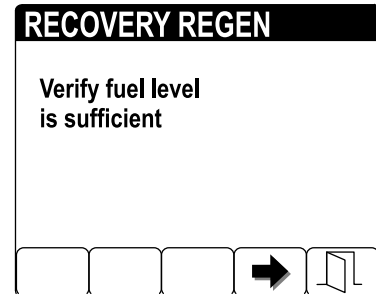


g241894



g241893

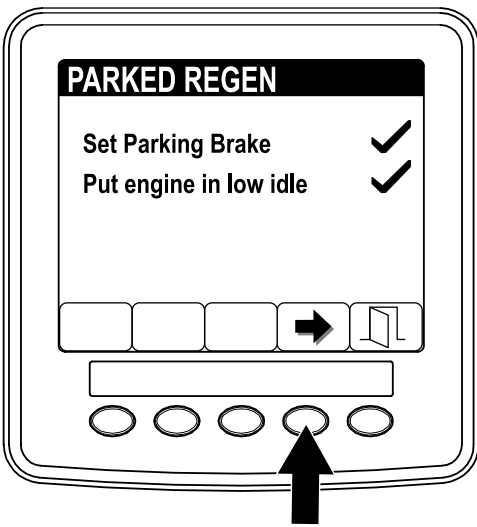
Figure 53



g241895

Figure 54

4. At the VERIFY FUEL LEVEL screen, verify that you have 1/4 tank of fuel if you are performing the parked regeneration or 1/2 tank of fuel if you are performing the recovery regeneration, and press the button 4 to continue (Figure 54).
5. At the DPF checklist screen, verify that the parking brake is engaged, that the engine speed is set to low idle, press the button 4 to continue (Figure 55).



g241898

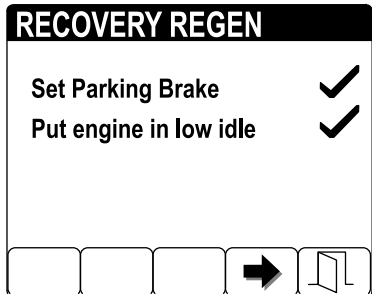
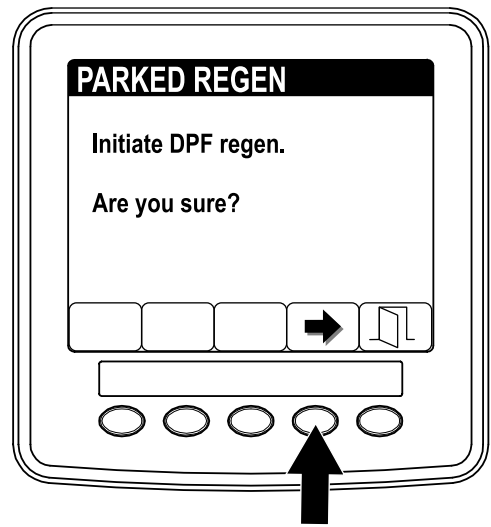


Figure 55

g241899



g241900

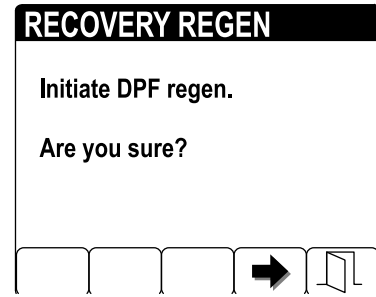


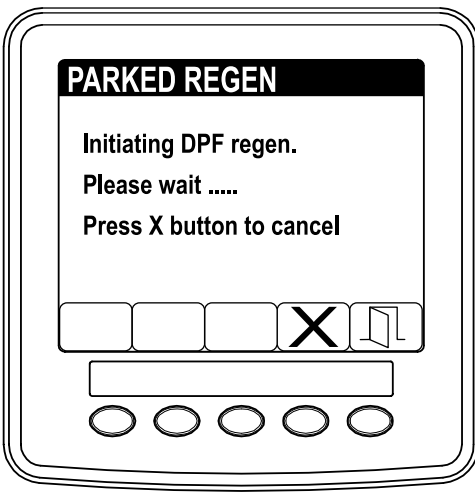
Figure 56

g241901

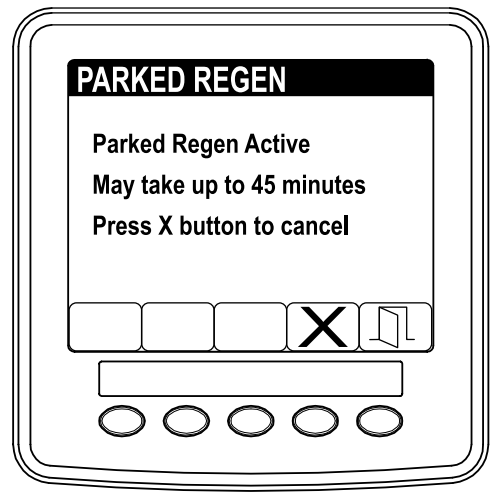
6. At the INITIATE DPF REGEN screen, press the button 4 to continue (Figure 56).

7. The InfoCenter displays the INITIATING DPF REGEN message (Figure 57).

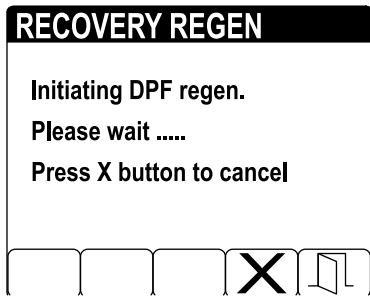
**Note:** If needed, press button 4 to cancel the regeneration process.



g241912

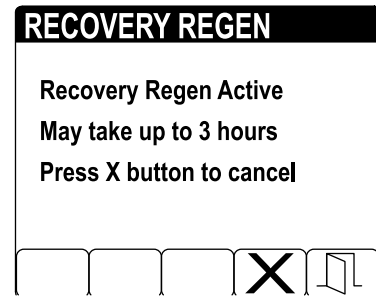


g241914



g241913

Figure 57



g241915

Figure 58

- The InfoCenter displays the time to complete message (Figure 58).

**Note:** If needed, press button 4 to cancel the regeneration process.

- The engine computer checks the engine state and fault information. The InfoCenter may display the following messages found in the table that follows:

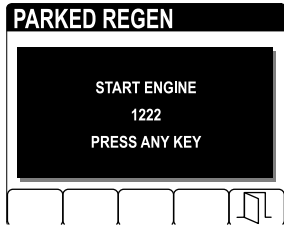
### Check Message and Corrective Action Table

<b>Parked Regen</b>	<b>Recovery Regen</b>
<p><b>Check Message:</b> Less that 50 hours since last regeneration—press any key.</p>	
<p><b>Corrective Action:</b> Exit the regeneration menu and run the machine until the time since last regeneration is greater than 50 hours; refer to <a href="#">Time Since Last Regeneration (page 41)</a>.</p>	
<b>Parked Regen</b>	<b>Recovery Regen</b>

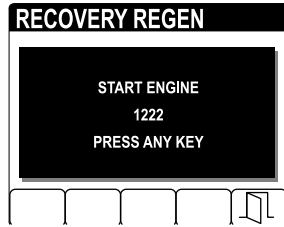
## Check Message and Corrective Action Table (cont'd.)

**Check Message:** Diagnostic trouble code active 1220—press any key.

**Corrective Action:** Troubleshoot the engine fault and retry DPF regeneration.



Parked Regen



Recovery Regen

**Check Message:** Start engine 1222—press any key.

**Corrective Action:** Start and run the engine.



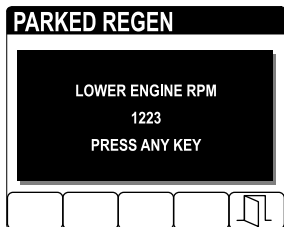
Parked Regen



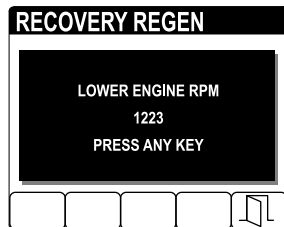
Recovery Regen

**Check Message:** Engine not warm enough 1221—press any key.

**Corrective Action:** Run the engine to warm the coolant temperature to 60°C (140°F).



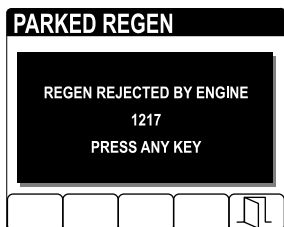
Parked Regen



Recovery Regen

**Check Message:** Lower engine RPM 1223—press any key.

**Corrective Action:** Change the engine speed to low idle.



Parked Regen



Recovery Regen

**Check Message:** Regen rejected by engine 1217—press any key.

**Corrective Action:** Troubleshoot the engine computer condition and retry DPF regeneration.

10. The InfoCenter displays the home screen and the regeneration acknowledge icon (Figure 59) appears in the lower right corner of the screen as the regeneration processes.

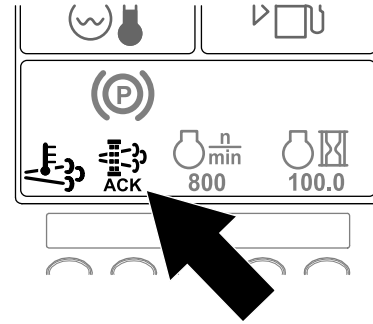



Figure 59

g241917

**Note:** While the DPF regeneration runs, the InfoCenter displays the high

exhaust-temperature icon .

11. When the engine computer completes a parked or recovery regeneration, the InfoCenter displays ADVISORY #1224 (Figure 60). Press any button to exit to the home screen.

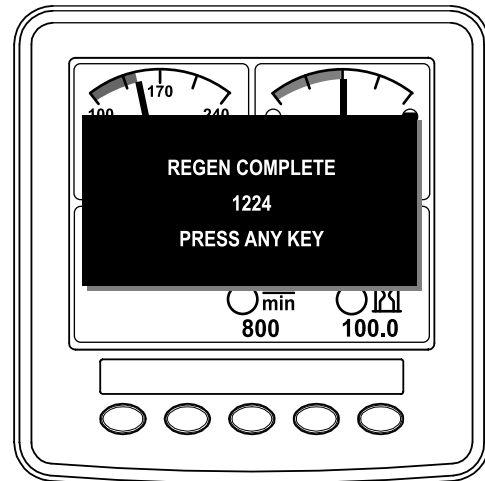


Figure 60

g241970

**Note:** If the regeneration fails to complete, the InfoCenter displays Advisory #1218 (Figure 61). Press any button to exit to the home screen.

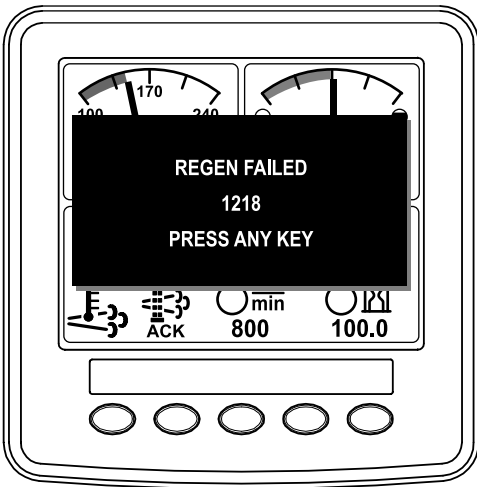
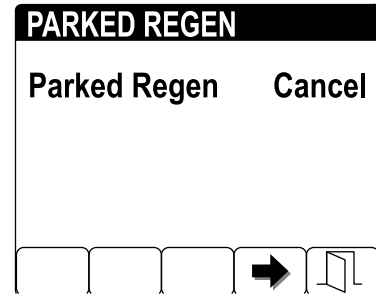


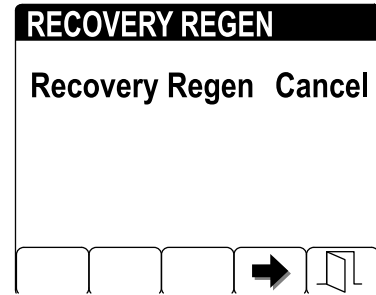
Figure 61

g241969

2. Press the button 4 to cancel a Parked Regen or cancel a Recovery Regen (Figure 63).



g242002



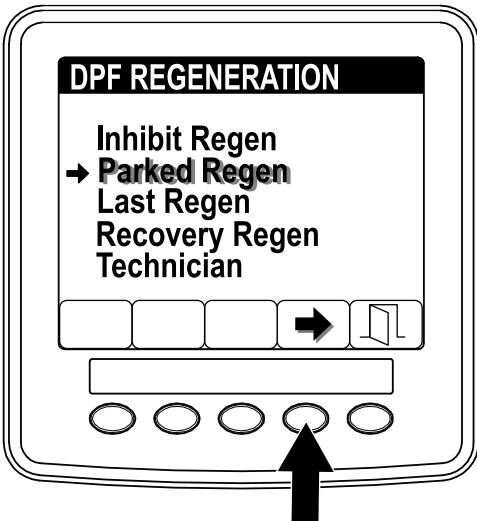
g242003

Figure 63

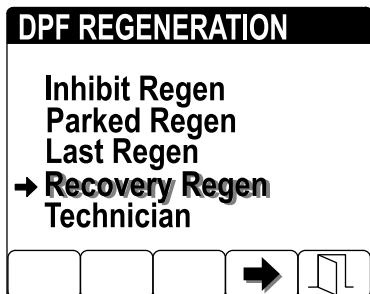
### Canceling a Parked or Recovery Regeneration

Use the Parked Regen Cancel or Recovery Regen Cancel setting to cancel a running parked or recovery regeneration process.

1. Access the DPF Regeneration menu, and press buttons 1 or 2 to scroll down to the PARKED REGEN option or the RECOVERY REGEN option (Figure 62).



g241999



g242000

Figure 62

**Note:** If you do not want to cancel the parked or recovery regeneration, press button 5 to exit the regeneration screen.



# Understanding the Operating Characteristics of the Machine

Practice driving the machine, as it has a hydrostatic transmission, and its characteristics may differ from other turf-maintenance machines.

With Toro Smart Power™, you do not have to listen to the engine speed in heavy load conditions. Smart Power prevents the engine from bogging down in heavy cutting conditions by automatically controlling the machine speed and optimizing cutting performance.

If Toro Smart Power™ is disabled, you must regulate the traction pedal to keep the engine speed (rpm) high and constant. This must be performed so that enough power is maintained for the traction unit and implement while operating. Decrease the ground speed as the load on the implement increases, and increase the ground speed as the load decreases.

Allow the traction pedal to move backward as the engine speed (rpm) decreases, and press the pedal slowly as the engine speed increases. By comparison, when driving between work areas, with no load and the mower deck raised, set the throttle in the highest position and press the traction pedal slowly, but fully, to attain maximum ground speed.

Before stopping the engine, disengage all controls and decrease the engine speed to LOW IDLE (1,000 rpm). Turn the ignition key to the OFF position to shut off the engine.

Before transporting the machine, raise the mower decks and secure the transport latches on the wing mower deck (Figure 64).

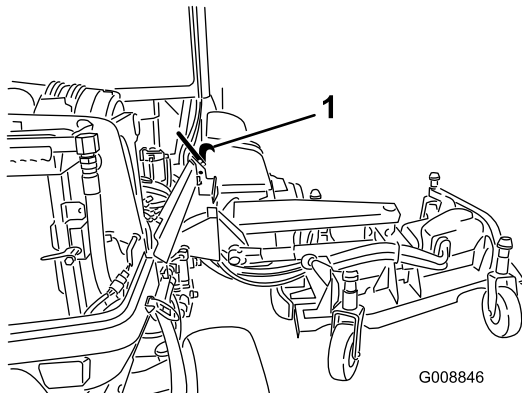


Figure 64

1. Transport latch

# Understanding the 12 V and 24 V Electrical Systems

This machine is designed with 2 voltage systems: 12 V and 24 V.

The 12 V system powers all functions of the machine, except for the engine-cooling fans and hydraulic-cooling fans. The 2 large 12 V batteries at the rear, right corner of the machine are connected in parallel to provide 12 V nominal. The 12 V engine alternator charges these batteries.

The 24 V system powers the engine-cooling fans and hydraulic-cooling fans. The 2 small 12 V batteries at the rear, left corner of the machine are connected in series to provide 24 V nominal. The 24 V alternator charges these batteries.

The battery-disconnect switch is located at the rear, right side of the machine. This switch can be used to disconnect power from the batteries during service or maintenance procedures.

# Automatic-Reversing Fan Cycle

The hydraulic-fan speed is controlled by hydraulic-fluid temperature. The radiator-fan speed is controlled by the engine-coolant temperature. A reverse cycle automatically initiates both fans when either the engine coolant or hydraulic-fluid temperature reaches a certain point. This reversal blows debris off the screens, lowering the engine and hydraulic-fluid temperatures (Figure 65). Additionally, the radiator fans perform a reverse cycle every 21 minutes regardless of the coolant temperature.

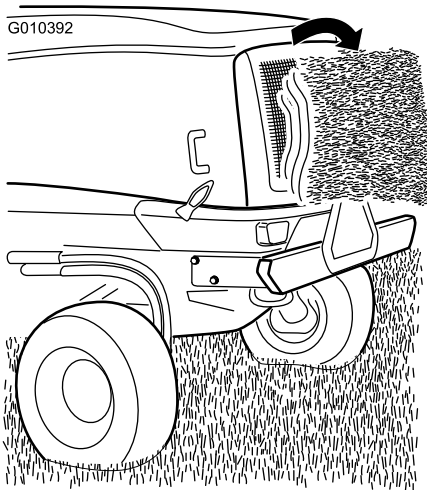


Figure 65

## Operating Tips

### Operating the Machine

- Start the engine and run it at the HALF IDLE position until it warms up. Move the engine-speed switch to HIGH IDLE, lift the mower decks, disengage the parking brake, press the forward traction pedal, and carefully drive to an open area.
- Practice moving forward and reverse, and starting and stopping the machine. To stop the machine, remove your foot from the traction pedal and let it return to NEUTRAL or press down on the reverse pedal.

**Note:** When going downhill in the machine, you may need to use the reverse pedal to stop.

- When possible, mow up and down hills rather than across them. Have the mower decks lowered when going down a hill to maintain steering control. Do not attempt to turn the machine on a hill.
- Practice driving around obstacles with the mower decks up and down. Be careful when driving

between narrow objects so that you do not damage the machine or mower decks.

- Always drive slowly in rough areas.
- If an obstacle is in the way, lift the mower decks to mow around it.
- When transporting the machine from 1 work area to another, shut off the PTO, raise the mower decks to the fully upward position, press the mow/transport switch to the TRANSPORT position, engage the transport latches, and place the throttle in the FAST position.

## Changing Mowing Patterns

Change mowing patterns often to minimize a poor after-cut appearance from repeatedly mowing in the same direction.

## Understanding Counterbalance

The counterbalance system maintains hydraulic back pressure on the deck-lift cylinders. This pressure improves traction by transferring the mower-deck weight to the mower-drive wheels. The counterbalance pressure has been set at the factory to an optimal balance of after-cut appearance and traction capability in most turf conditions.

Decreasing the counterbalance setting can produce a more stable mower deck, but can decrease the traction capability. Increasing the counterbalance setting can increase the traction capability, but may result in a poor after-cut appearance. Refer to the machine *Service Manual* for your traction unit for instructions to adjust the counterbalance pressure.

## Resolving After-Cut Appearance

Reference the After-cut Appearance Troubleshooting Guide available at [www.Toro.com](http://www.Toro.com).

## Using Proper Mowing Techniques

- To begin cutting, engage the mower decks, then approach the mowing area slowly.
- To achieve the professional straight-line cut and striping that is desirable for some applications, find a tree or other object in the distance and drive straight toward it.
- As soon as the front mower decks reach the edge of the mowing area, perform a teardrop-shaped turn to quickly line up for your next pass.
- Bolt-in mulching baffles are available for the mower decks. The mulching baffles perform well when you maintain turf on a regular schedule

to avoid removing more than 25 mm (1 inch) of growth per cutting. When you cut too much growth with the mulching baffles installed, the after-cut appearance may deteriorate and the observed power to cut the turf increases. The mulching baffles also perform well for shredding leaves in the fall.

## Selecting the Proper Height-of-Cut Setting

Remove approximately one-third of the grass blade when mowing. In exceptionally lush and dense grass, you may need to raise the height-of-cut to the next setting (Figure 66).

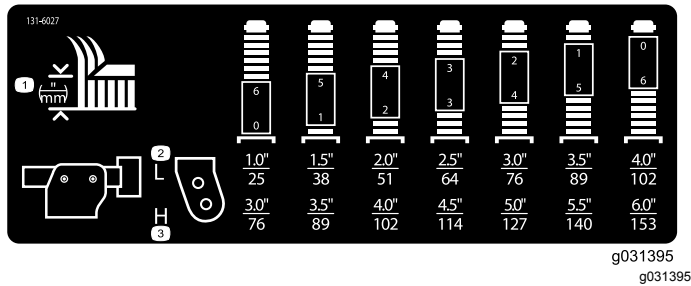


Figure 66

## Adjusting the Mower-Deck Pitch

Mower-deck pitch is the difference in height-of-cut from the front of the blade plane to the back of the blade plane. Use a blade pitch of 7.6 mm (0.3 inch). A pitch larger than 7.6 mm (0.3 inch) results in less power required, larger clippings, and a poorer quality of cut. A pitch less than 7.6 mm (0.3 inch) results in more power required, smaller clippings, and a better quality of cut.

## Maximizing the Air Conditioner Performance

- To limit solar heating, park the machine in a shaded area or leave the doors open in direct sun.
- Ensure that the air-conditioning screen is clean.
- Ensure that the air-conditioning-condenser fins are clean.
- Operate the air-conditioner blower at the mid-speed setting.
- Ensure that there is a continuous seal between the roof and the headliner and correct it as needed.
- Measure the air temperature at the front, center vent in the headliner. This should typically stabilize at less than or equal to 10°C (50°F).
- Refer to the *Service Manual* for additional information.

## After Operation

### After Operation Safety

- Clean grass and debris from the cutting units, mufflers, and engine compartment to help prevent fires. Clean up oil or fuel spills.
- If the cutting units are in the transport position, use the positive mechanical lock (if available) before you leave the machine unattended.
- Allow the engine to cool before storing the machine in any enclosure.
- Remove the key and shut off the fuel (if equipped) before storing or transporting the machine.
- Never store the machine or fuel container where there is an open flame, spark, or pilot light, such as on a water heater or on other appliances.
- Keep all parts of the machine in good working condition and all hardware tightened, especially blade-attachment hardware.
- Replace all worn or damaged decals.

## Understanding the Audible Alarm

**Note:** This alarm is a reminder to prevent the battery from being discharged.

An audible alarm sounds when the following conditions occur:

- The engine is shut off.
- The key is in the run position.
- The operator is out of the seat.

# Pushing or Towing the Machine

**Important:** Do not push or tow the machine faster than 3 to 4.8 km/h (2 to 3 mph). If you push or tow at a faster speed, internal transmission damage may occur.

The bypass valves must be open whenever you push or tow the machine.

1. Raise the hood and locate the bypass valves on the pump.

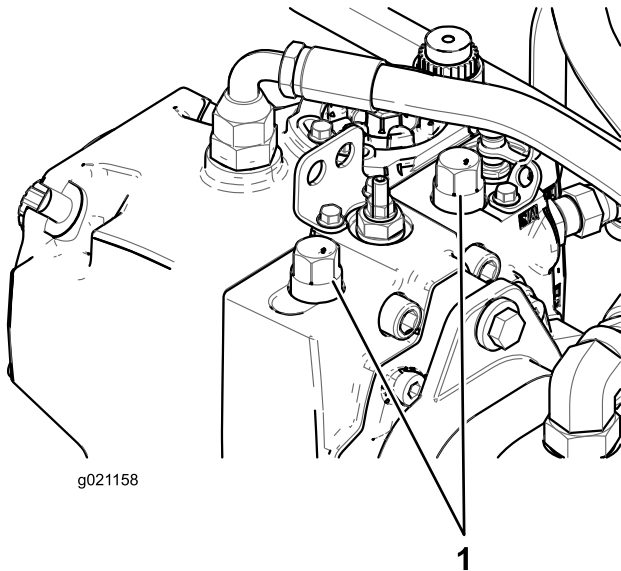


Figure 67

1. Bypass valve (2)

2. Loosen both tow valves on the hydrostatic transmission.
3. Rotate each valve 3 turns counter-clockwise to open the valve and allow the fluid to bypass internally.
4. Manually release the automatic parking brake using the bypass valve and plunger as shown in [Figure 68](#).

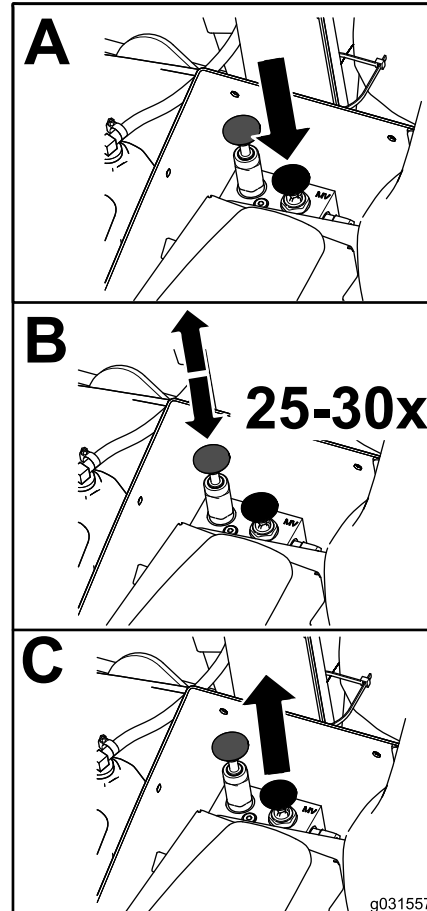
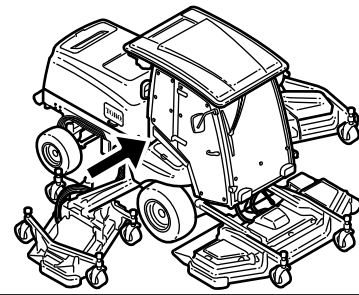


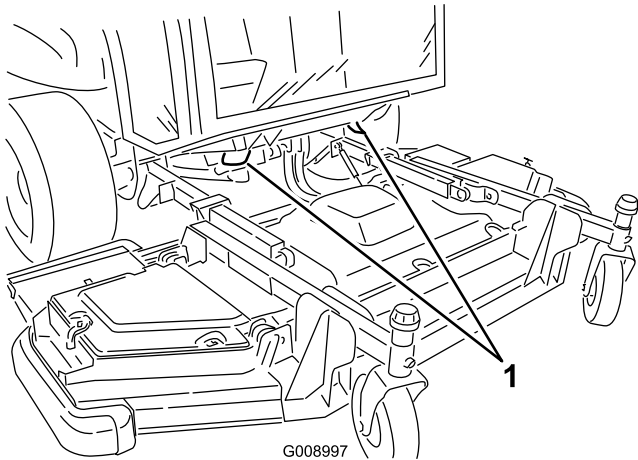
Figure 68

5. Push or tow the machine.
6. Finish pushing or towing the machine and close the bypass valve. Torque the valve to 70 N·m (52 ft-lb).

**Note:** The manual parking-brake release automatically resets when you start the engine.

# Identifying the Tie-Down Points

**Front of the machine**—under the front of the operator's platform (Figure 69)

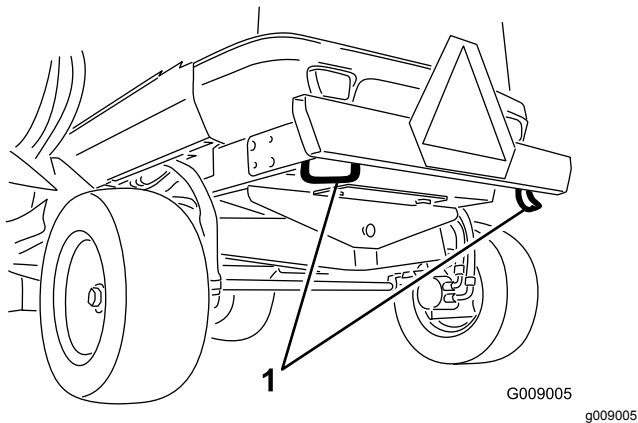


**Figure 69**

1. Front tie downs

---

**Rear of the machine**—on the bumper (Figure 70)



**Figure 70**

1. Rear tie downs

---

## Hauling the Machine

- Remove the key and shut off the fuel (if equipped) before storing or transporting the machine.
- Use care when loading or unloading the machine into a trailer or a truck.
- Use full-width ramps for loading the machine into a trailer or a truck.
- Tie the machine down securely.

# Maintenance

**Note:** Determine the left and right sides of the machine from the normal operating position.

**Important:** Refer to your engine owner's manual for additional maintenance procedures.

## Maintenance Safety

- Before adjusting, cleaning, repairing, or leaving the machine, do the following:
  - Park the machine on a level surface.
  - Move the throttle switch to the low-idle position.
  - Disengage the cutting units.
  - Lower the cutting units.
  - Ensure that the traction is in neutral.
  - Engage the parking brake.
  - Shut off the engine and remove the key.
  - Wait for all moving parts to stop.
- Allow machine components to cool before performing maintenance.
- If the cutting units are in the transport position, use the positive mechanical lock (if available) before you leave the machine unattended.
- If possible, do not perform maintenance while the engine is running. Keep away from moving parts.
- Use jack stands to support the machine or components when required.
- Carefully release pressure from components with stored energy.

## Recommended Maintenance Schedule(s)

Maintenance Service Interval	Maintenance Procedure
After the first 10 hours	<ul style="list-style-type: none"> <li>• Check the wheel-lug nuts.</li> <li>• Check the 12 V alternator belt.</li> <li>• Check the 24 V alternator belt and AC compressor belt.</li> <li>• Check the blade-bolt torque.</li> </ul>
After the first 50 hours	<ul style="list-style-type: none"> <li>• Change the engine oil and engine-oil filter.</li> </ul>
Before each use or daily	<ul style="list-style-type: none"> <li>• Check the tire pressure.</li> <li>• Check the blade stopping time.</li> <li>• Check the engine-oil level.</li> <li>• Drain the water separator.</li> <li>• Check the engine-coolant level in the overflow reservoir.</li> <li>• Remove debris from the hydraulic-fluid-cooler core and the radiator core with compressed air.</li> <li>• Check the hydraulic-fluid level.</li> <li>• Check the condition of the mower blade.</li> <li>• Check the safety-interlock system.</li> </ul>
Every 50 hours	<ul style="list-style-type: none"> <li>• Lubricate all grease fittings.</li> <li>• Remove the air-cleaner cover and clean out the debris. Do not remove the filter.</li> <li>• Check the condition of the batteries.</li> <li>• Inspect the blade-drive belts.</li> <li>• Check the blade-bolt torque.</li> <li>• Remove all debris and chaff from the engine compartment, radiator, and oil cooler.</li> </ul>
Every 100 hours	<ul style="list-style-type: none"> <li>• Inspect the cooling-system hoses.</li> </ul>
Every 250 hours	<ul style="list-style-type: none"> <li>• Check the wheel-lug nuts.</li> <li>• Clean the cab air filters; replace them if they are torn or excessively dirty.</li> <li>• Clean the air-conditioning assembly (more frequently in extremely dusty or dirty conditions).</li> </ul>
Every 400 hours	<ul style="list-style-type: none"> <li>• Check the air-cleaner body for damage which could cause an air leak. Replace if damaged.</li> <li>• Check the whole air-intake system for leaks, damage, or loose hose clamps.</li> <li>• Replace the fuel/water separator element.</li> </ul>

Maintenance Service Interval	Maintenance Procedure
Every 500 hours	<ul style="list-style-type: none"> <li>• Change the engine oil and engine-oil filter.</li> <li>• Inspect the fuel lines and connections.</li> <li>• Replace the fuel-filter element.</li> <li>• Inspect the mower deck caster-wheel assemblies.</li> </ul>
Every 800 hours	<ul style="list-style-type: none"> <li>• Drain and clean the fuel tank.</li> </ul>
Every 1,000 hours	<ul style="list-style-type: none"> <li>• Adjust the engine-valve clearance (if necessary).</li> <li>• Calibrate the traction pedal.</li> <li>• Check the rear wheel toe-in.</li> <li>• Flush the engine-cooling system and replace the fluid.</li> <li>• Check the 12 V alternator-belt tension.</li> <li>• Check the 24 V alternator belt and AC compressor-belt tension.</li> <li>• Replace the blade-drive belts.</li> <li>• Change the hydraulic fluid and the 2 hydraulic filters.</li> </ul>
Every 1,500 hours	<ul style="list-style-type: none"> <li>• Clean the engine EGR cooler.</li> <li>• Inspect the engine crankcase-breather system.</li> </ul>
Every 2,000 hours	<ul style="list-style-type: none"> <li>• Check and replace (if necessary) fuel hoses and engine-coolant hoses.</li> <li>• Lap or adjust the engine intake and exhaust valves (if necessary).</li> </ul>
Every 3,000 hours	<ul style="list-style-type: none"> <li>• Inspect and clean (if necessary) the engine-emission-control components and turbocharger.</li> </ul>
Every 6,000 hours	<ul style="list-style-type: none"> <li>• Disassemble, clean, and assemble the soot filter of the DPF. or clean the soot filter if engine faults SPN 3720 FMI 16, SPN 3720 FMI 0, or SPN 3720 FMI 16 display in the InfoCenter.</li> </ul>
Every 2 years	<ul style="list-style-type: none"> <li>• Replace moving hydraulic lines and hoses.</li> </ul>

## Daily Maintenance Checklist

Duplicate this page for routine use.

Maintenance Check Item	For the week of:						
	Monday	Tuesday	Wednesday	Thursday	Friday	Saturday	Sunday
Check the safety-interlock operation.							
Check the brake operation.							
Check the engine-oil level.							
Check the cooling-system-fluid level.							
Drain the water/fuel separator.							
Check the air filter, dust cup, and burp valve.							
Check for unusual engine noises. <sup>2</sup>							
Check the radiator and hydraulic-oil-cooler screens for debris and blow out with compressed air.							
Check for unusual operating noises.							
Check the hydraulic-system-fluid level.							

Maintenance Check Item	For the week of:						
	Monday	Tuesday	Wednesday	Thursday	Friday	Saturday	Sunday
Check the hydraulic hoses for damage.							
Check for fluid leaks.							
Check the fuel level.							
Check the tire and caster pressure.							
Check the instrument operation.							
Check the height-of-cut adjustment.							
Lubricate all of the grease fittings. <sup>2</sup>							
Touch up any damaged paint.							
<sup>1</sup> Check the glow plug, injector nozzles and engine air filters if starting is hard, there is excess smoke, or rough running is noted. <sup>2</sup> Immediately <b>after every</b> washing, regardless of the interval listed.							

### Notation for Areas of Concern

Inspection performed by:		
Item	Date	Information



# Pre-Maintenance Procedures

## Using the Battery-Disconnect Switch

Open the hood to access the battery-disconnect switch.

Turn the battery-disconnect switch to the ON or OFF position to perform the following:

- To energize the machine electrically, rotate the battery-disconnect switch clockwise to the ON position (Figure 71).
- To de-energize the machine electrically, rotate the battery-disconnect switch counterclockwise to the OFF position (Figure 71).

**Important:** Do not turn the battery-disconnect switch to the OFF position while the engine is running. Ensure that the machine is shut off before turning the battery-disconnect switch to the OFF position, as you may cause damage to the engine and/or machine.

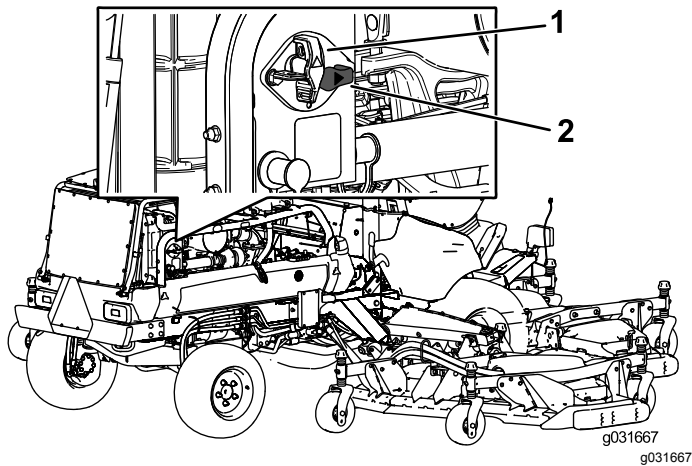


Figure 71

1. Battery-disconnect switch (OFF position)
2. Battery-disconnect switch (ON position)

## Raising the Machine

Use the following as points to jack up the machine:

**Front of the machine**—on the frame, on the inside of each drive tire (Figure 72)

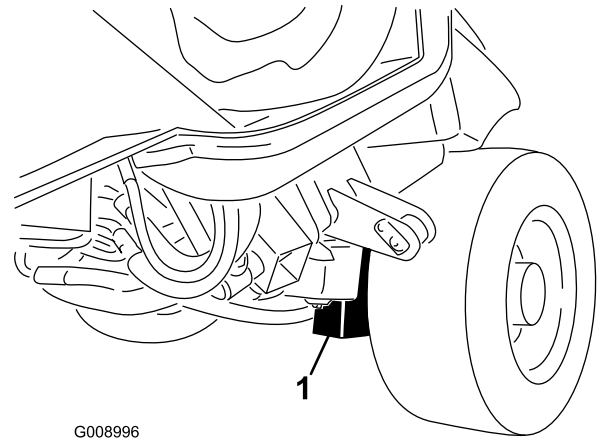


Figure 72

1. Front jacking point (2)

**Rear of the machine**—at the center of the axle (Figure 73)

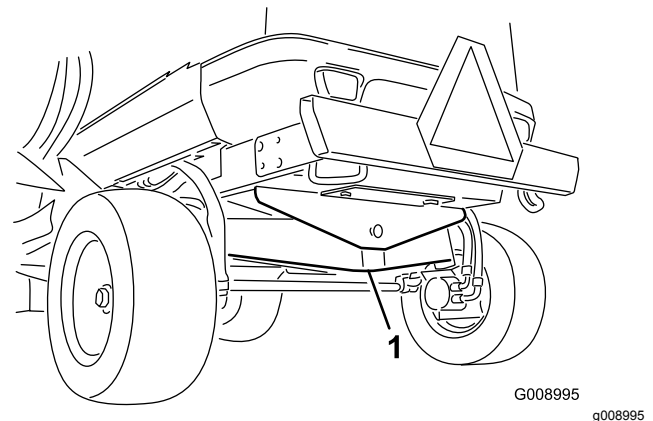


Figure 73

1. Rear jacking point

# Removing and Installing the Inner-Wing-Deck Covers

## Removing the Inner-Wing-Deck Covers

1. Lower the wing deck onto a level surface.
2. Disengage the cover latch.
3. Remove the bolt securing the belt cover (if equipped).
4. Lift the rear and inside cover edges off the mounting posts (Figure 74).

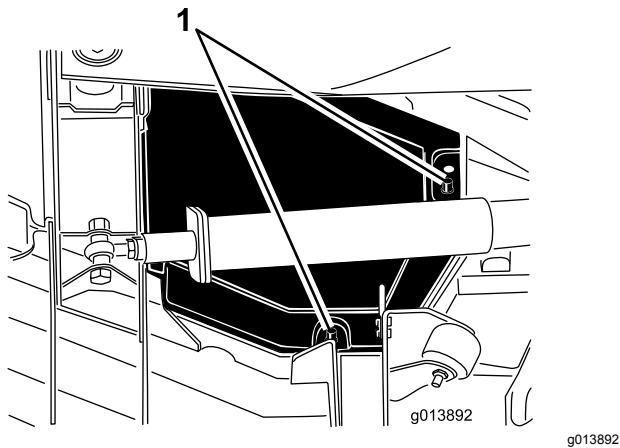


Figure 74

1. Mounting posts

5. While lifting the cover, slide it toward the traction unit approximately 2.5 cm (1 inch) to disengage the outer-cover edge from the deck (Figure 75).

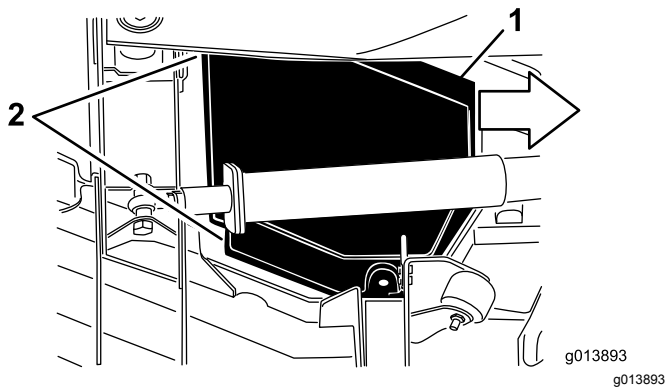


Figure 75

1. Slide the cover inward approximately 2.5 cm (1 inch).
2. Disengage these cover edges.

6. Lift the front edge and guide it between the lift arm and the roller to remove it (Figure 76).

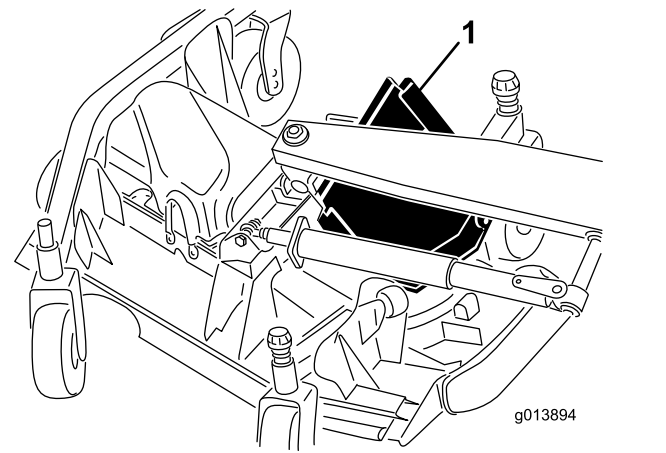


Figure 76

1. Slide the cover out between the lift arm and roller.

## Installing the Inner-Wing-Deck Covers

1. Lower the wing deck onto a level surface.
2. Slide the cover into position by guiding the rear edge between the lift arm and the roller.
3. While sliding the cover away from the traction unit, guide the outside edge under the front and rear brackets on the deck.
4. Align the deck mounting posts with the holes in the cover and lower the cover into position.
5. Install the bolt securing the belt cover (if equipped).
6. Engage the deck-cover latch.

# Lubrication

## Greasing the Bearings and Bushings

**Service Interval:** Every 50 hours—Lubricate all grease fittings.

The machine has grease fittings that you must lubricate regularly with No. 2 lithium grease. Also, lubricate the machine immediately after every washing.

## Traction Unit

- 2 impact arms (Figure 77)
- 2 front deck-lift-cylinder pivots (Figure 77)
- 2 side deck-lift-cylinder pivots (Figure 77)
- 4 steering-cylinder-ball joints (Figure 78)
- 2 tie-rod-ball joints (Figure 78)
- 2 king-pin bushings (Figure 78)
- 1 rear axle-pivot bushing (Figure 79)

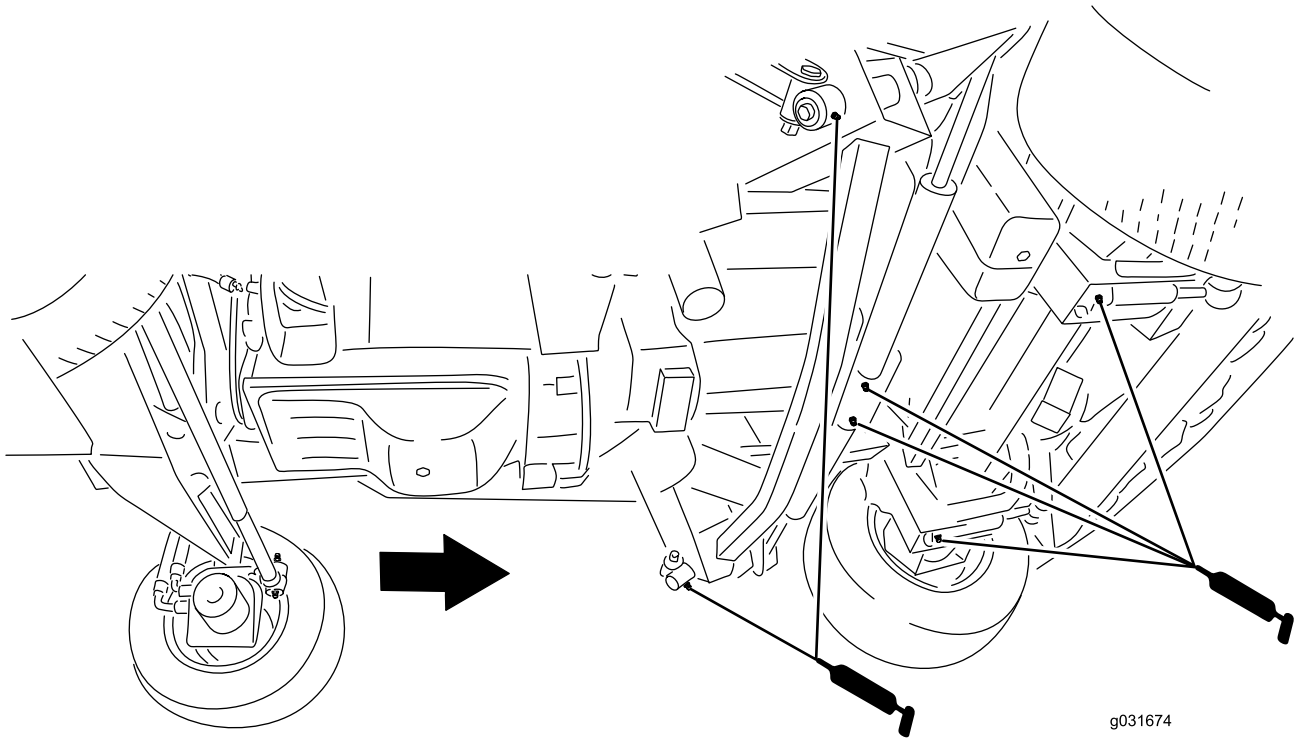


Figure 77

g031674

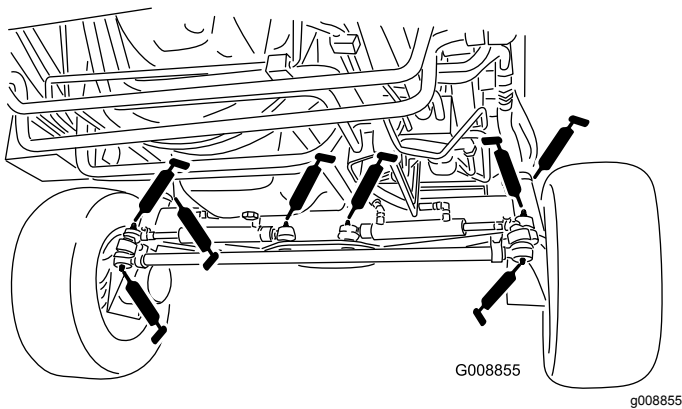


Figure 78

g008855

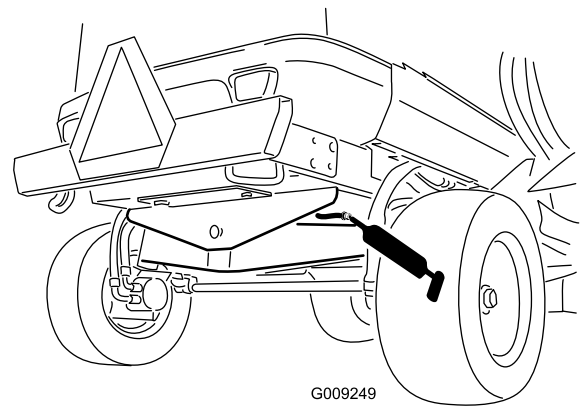


Figure 79

g009249

## Front Mower Deck

- 2 caster-fork-shaft bushings (Figure 80)
- 5 spindle-shaft bearings (located on the spindle housing) as shown in Figure 80
- 3 idler-arm-pivot bushings (located on the idler-pivot shaft) as shown in Figure 80
- 4 winglet-deck bushings (located on the winglet-pivot pins) as shown in Figure 80

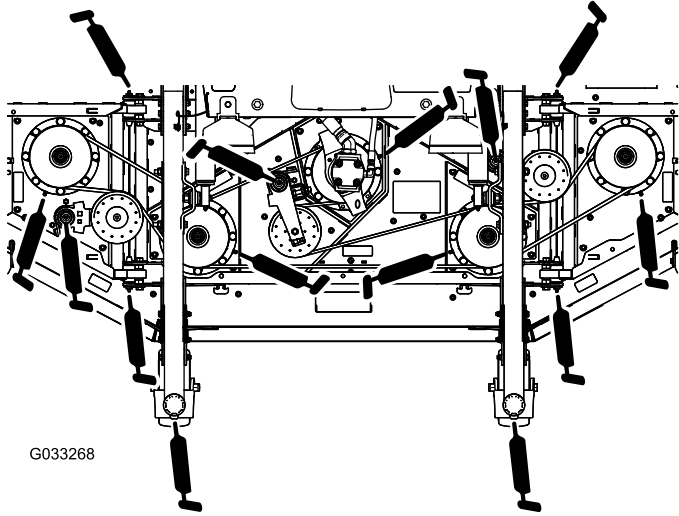


Figure 80

- 3 spindle-shaft bearings (located on the spindle housing) as shown in Figure 82
- 2 idler-arm-pivot bushings (located on the idler-pivot shaft) as shown in Figure 82

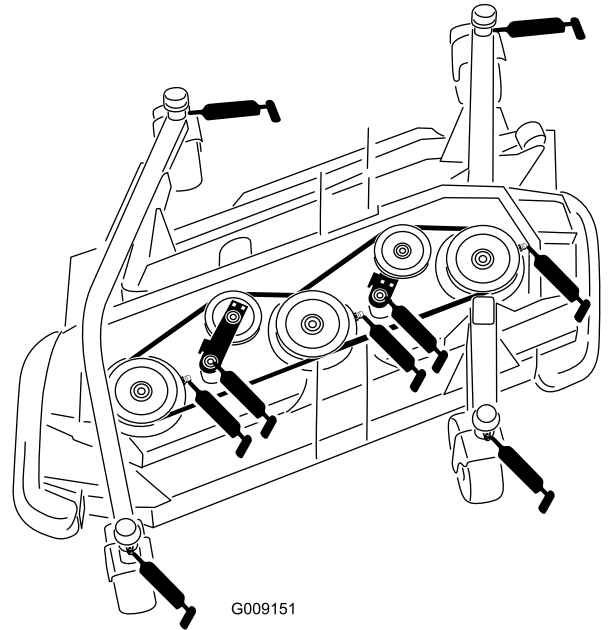


Figure 82

## Front Lift Assemblies

- 2 lift-arm bushings (Figure 81)
- 2 lift-arm-ball joints (Figure 81)
- 2 front deck lift-cylinder pivots (Figure 81)

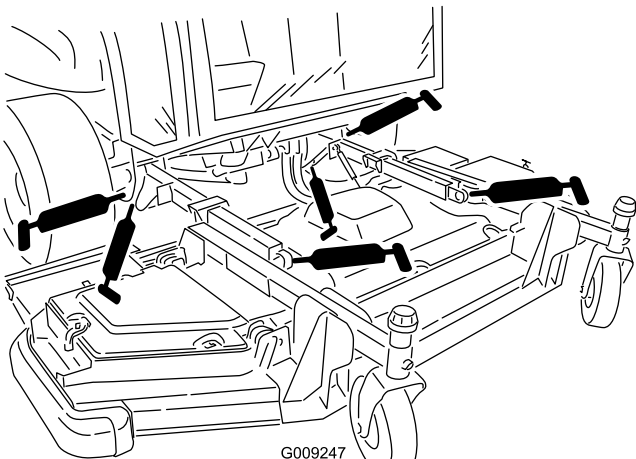


Figure 81

## Wing Lift Assemblies (Per Wing)

- 3 main lift-arm bushings (Figure 83)
- 1 lift-cylinder bushing (Figure 83)

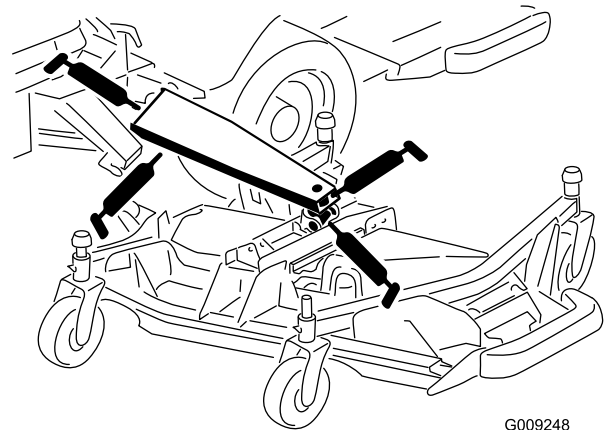


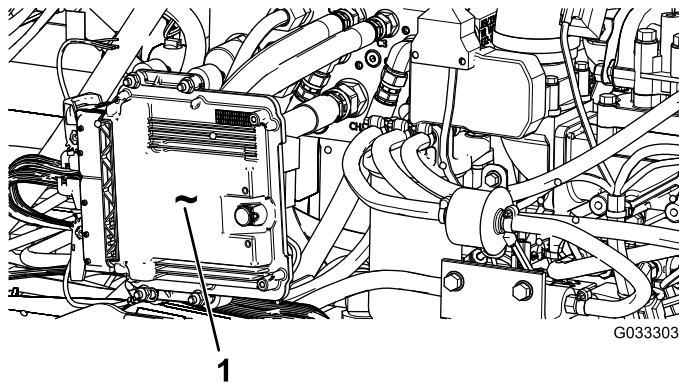
Figure 83

## Wing Mower Decks (Each Wing)

- 4 caster-fork-shaft bushing (Figure 82)

# Engine Maintenance

**Important:** Do not directly contact the engine-control unit (ECU) or electrical connectors with water, as this may cause damage; refer to [Figure 84](#) for the ECU and electrical connections location.



**Figure 84**

Located on the left side of the machine under the hood

1. Engine-control unit (ECU)



g021157

g021157

**Figure 85**

## Servicing the Air-Cleaner Cover

**Service Interval:** Every 50 hours—Remove the air-cleaner cover and clean out the debris. Do not remove the filter.

Check the air-cleaner body for damage which could cause an air leak. Replace a damaged air cleaner body.

Clean the air-cleaner cover ([Figure 86](#)).

## Engine Safety

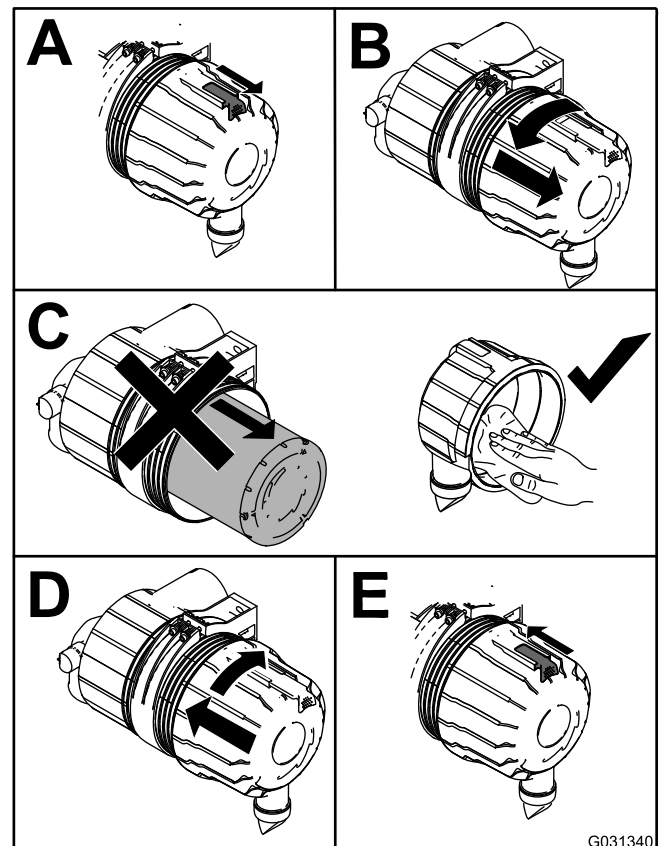
- Shut off the engine and remove the key before checking the oil or adding oil to the crankcase.
- Do not change the governor speed or overspeed the engine.

## Servicing the Air Cleaner

Check the air-cleaner body for damage that could cause an air leak and replace it if it is damaged. Check the entire intake system for leaks, damage, or loose hose clamps. Also, inspect the rubber intake-hose connections at the air cleaner and turbocharger to ensure that the connections are complete.

Service the air-cleaner filter only when the “Check Air Filter” message is displayed on the InfoCenter ([Figure 85](#)). Changing the air filter before it is necessary only increases the chance of dirt entering the engine when you remove the filter.

Ensure that the cover is seated correctly and seals with the air-cleaner body.



G031340

g031340

**Figure 86**



# Servicing the Air-Cleaner Filter Elements

**Service Interval:** Every 400 hours—Check the air-cleaner body for damage which could cause an air leak. Replace if damaged.

Every 400 hours—Check the whole air-intake system for leaks, damage, or loose hose clamps.

The air-intake system on this machine is continuously monitored by an air-restriction sensor that will display an advisory when you need to replace the filter. Do not replace the elements until this occurs.

**Important:** Replace the secondary filter element only every 3 primary filter services. Do not remove the secondary element when cleaning or replacing the primary element. The inner element prevents dust from entering the engine when you service the primary element.

**Important:** Do not operate the engine without the air-cleaner elements as this would allow foreign material to enter the engine and damage it.

1. Release the latches securing the air-cleaner cover to the air-cleaner body (Figure 87).

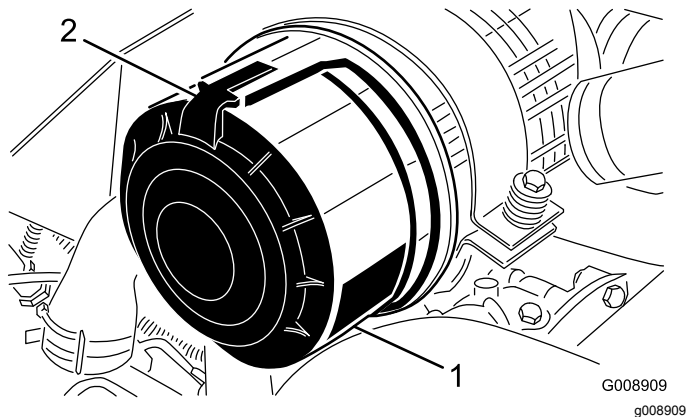


Figure 87

1. Air-cleaner cover
2. Air-cleaner latch

2. Remove the cover from the air-cleaner body.
3. Before removing the filter, use low-pressure air (275 kPa or 40 psi, clean and dry) to help remove large accumulations of debris packed between the outside of the primary filter and the canister.

**Note:** Avoid using high-pressure air that could force dirt through the filter into the intake. This cleaning process prevents debris from migrating into the intake when the primary filter is removed.

4. Remove the primary filter (Figure 88).

**Note:** Do not clean the used element due to the possibility of damage to the filter media.

**Note:** Replace the secondary filter every 3 primary filter services (Figure 89).

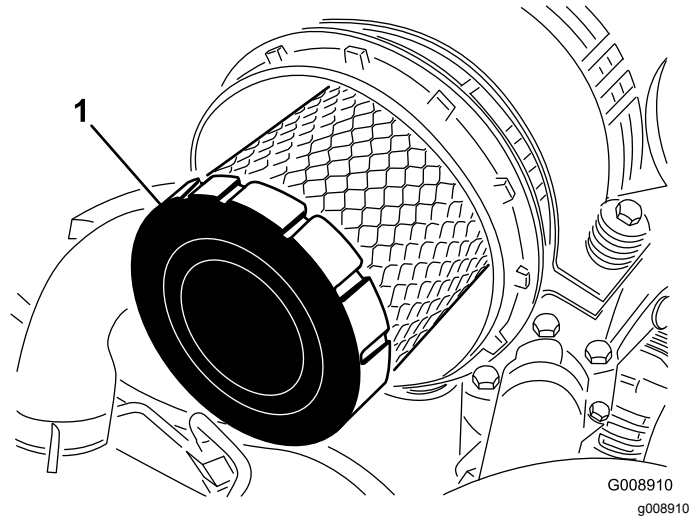


Figure 88

1. Primary filter

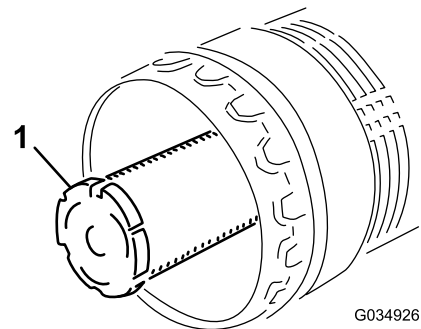


Figure 89

1. Secondary filter

5. Inspect the new filter for shipping damage, checking the sealing end of the filter and the body.
6. Insert the new filter by applying pressure to the outer rim of the element to seat it in the canister.

**Important:** Do not use a damaged element.

**Important:** Do not apply pressure to the flexible center of the filter, as this may damage the filter.

7. Clean the dirt-ejection port located in the removable cover.
8. Remove the rubber outlet valve from the cover, clean the cavity, and replace the outlet valve.
9. Install the cover orienting the rubber outlet valve in a downward position—approximately between

the 5 o'clock and 7 o'clock position when viewed from the end.

- Secure the cover latches.

## Servicing the Engine Oil

### Oil Specification

Use high-quality, low-ash engine oil that meets or exceeds the following specifications:

- API service category CJ-4 or higher
- ACEA service category E6
- JASO service category DH-2

**Important:** Using engine oil other than API CJ-4 or higher, ACEA E6, or JASO DH-2 may cause the diesel particulate filter to plug or cause engine damage.

Use the following engine oil viscosity grade:

- Preferred oil: SAE 15W-40 (above 0°F)
- Alternate oil: SAE 10W-30 or 5W-30 (all temperatures)

Toro Premium Engine Oil is available from your authorized Toro distributor in either 15W-40 or 10W-30 viscosity grades. See the *Parts Catalog* for part numbers.

### Checking the Engine-Oil Level

**Service Interval:** Before each use or daily

The engine is shipped with oil in the crankcase; however, the oil level must be checked before and after the engine is first started.

**Important:** Check the engine oil daily. If the engine-oil level is above the Full mark on the dipstick, the engine oil may be diluted with fuel; If the engine oil level is above the Full mark, change the engine oil.

The best time to check the engine oil is when the engine is cool before it has been started for the day. If it has already been run, allow the oil to drain back down to the sump for at least 10 minutes before checking. If the oil level is at or below the Add mark on the dipstick, add oil to bring the oil level to the Full mark. **Do not overfill the engine with oil.**

**Important:** Keep the engine-oil level between the upper and lower limits on the dipstick; the engine may fail if you run it with too much or too little oil.

Check the engine-oil level; refer to [Figure 90](#).

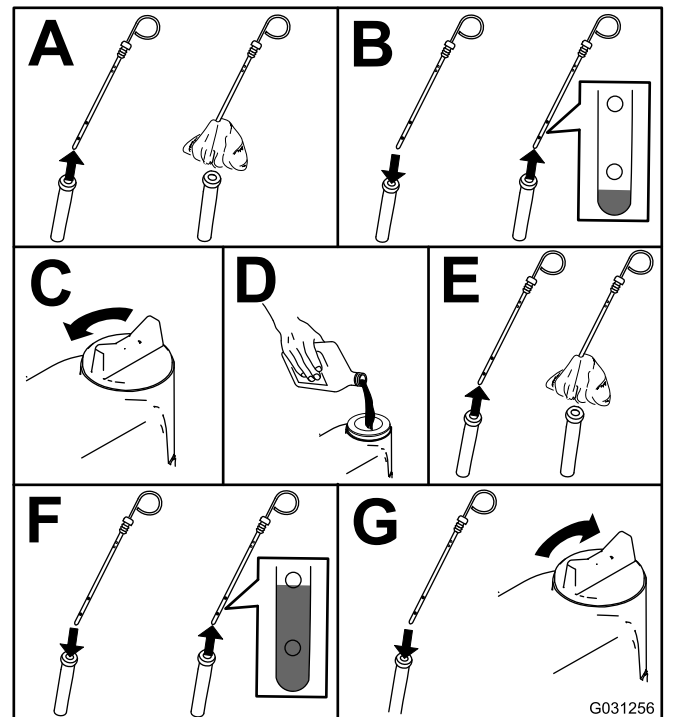


Figure 90

**Note:** When using different oil, drain all old oil from the crankcase before adding new oil.

### Crankcase Oil Capacity

10.4 L (11 US qt) with the filter

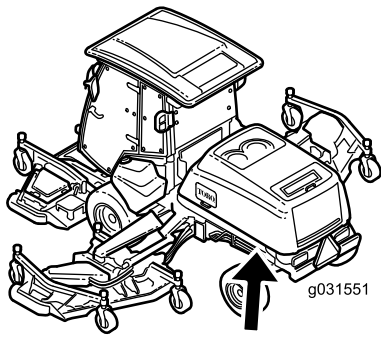
### Changing the Engine Oil and Engine-Oil Filter

**Service Interval:** After the first 50 hours—Change the engine oil and engine-oil filter.

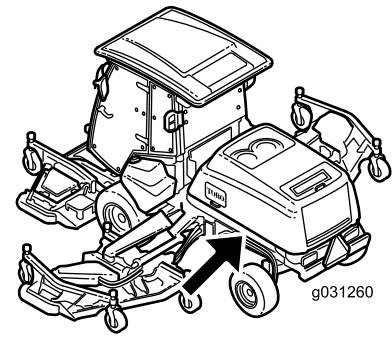
Every 500 hours—Change the engine oil and engine-oil filter.

**Note:** Change the engine oil and filter more frequently when the operating conditions are extremely dusty or sandy.

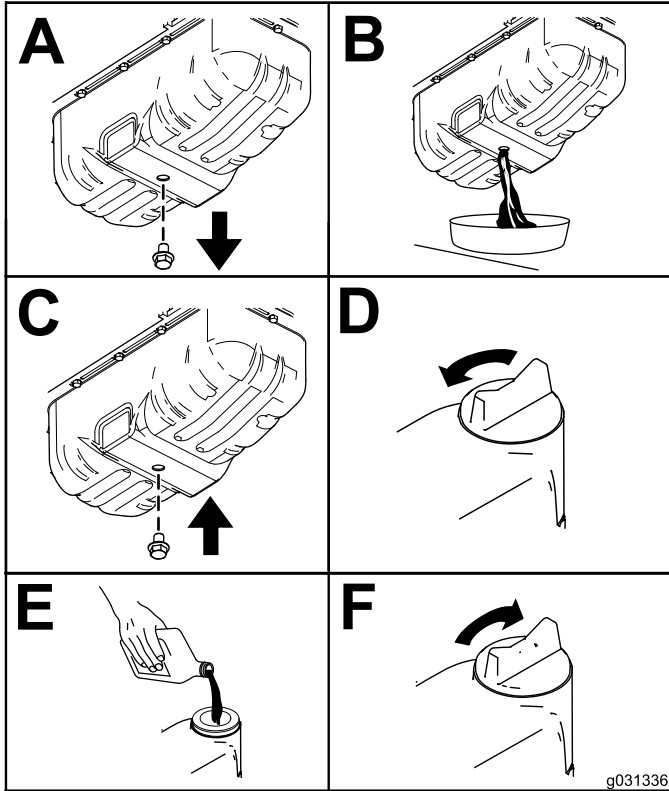
1. Start the engine and let it run 5 minutes to allow the oil to warm up.
2. Park the machine on a level surface, engage the parking brake, lower the cutting deck, shut off the engine, and remove the key.
3. Change the engine oil as shown in [Figure 91](#).



g031551

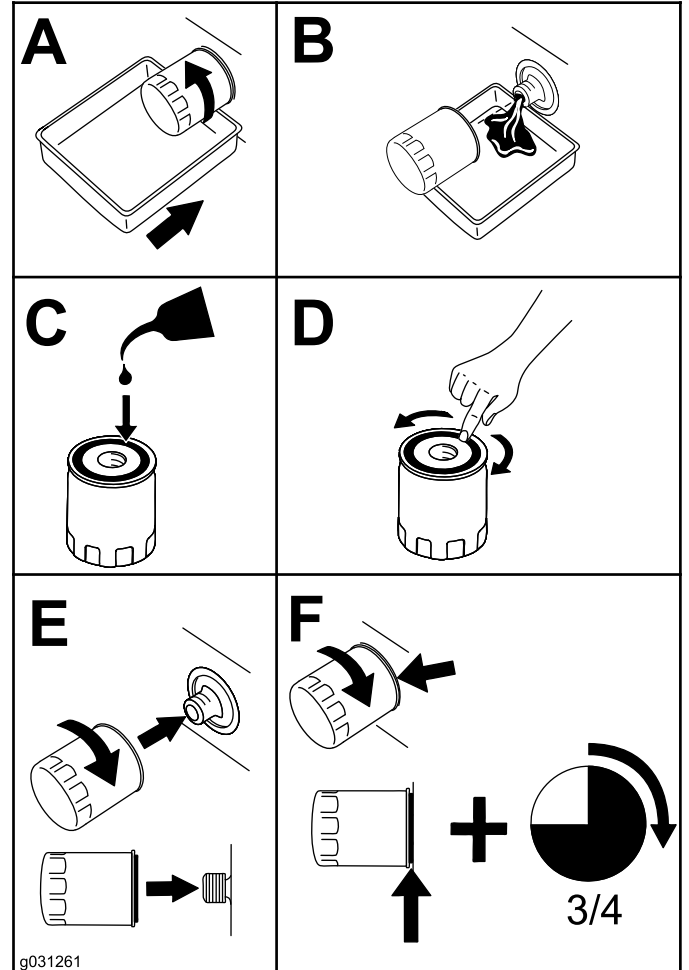


g031260



g031336

Figure 91



g031261

g031261

Figure 92

4. Change the engine-oil filter (Figure 92).

**Note:** Ensure that the oil-filter gasket touches the engine, and then an extra 3/4 turn is completed.



## Adjusting the Engine-Valve Clearance

**Service Interval:** Every 1,000 hours

Refer to your engine owner's manual for the adjustment procedure.

## Cleaning the Engine EGR Cooler

**Service Interval:** Every 1,500 hours

For information on cleaning the engine EGR cooler, refer to your engine operator's manual.

## Inspecting the Engine Crankcase-Breather System

**Service Interval:** Every 1,500 hours

For information on inspecting the engine crankcase-breather system, refer to your engine operator's manual.

## Checking and Replacing Fuel Hoses and Engine-Coolant Hoses

**Service Interval:** Every 2,000 hours

For information on checking and replacing fuel hoses and engine-coolant hoses, refer to your engine operator's manual.

## Lapping or Adjusting the Engine Intake and Exhaust Valves

**Service Interval:** Every 2,000 hours

For information on lapping or adjusting the engine intake and exhaust valves, refer to your engine owner's manual.

## Inspecting and Cleaning Engine-Emission-Control Components and Turbocharger

**Service Interval:** Every 3,000 hours

For information on inspecting and cleaning the engine-emission-control components, refer to your engine operator's manual.

## Servicing the Diesel-Oxidation Catalyst (DOC) and the Soot Filter

**Service Interval:** Every 6,000 hours or clean the soot filter if engine faults SPN 3720 FMI 16, SPN 3720 FMI 0, or SPN 3720 FMI 16 display in the InfoCenter.

- If advisory message ADVISORY 179 displays in the InfoCenter, the DPF is nearing the recommended point for servicing the diesel-oxidation catalyst and the soot filter.

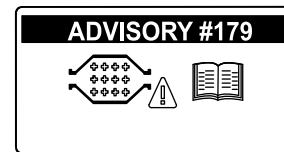


Figure 93

g213865

- If engine faults CHECK ENGINE SPN 3251 FMI 0, CHECK ENGINE SPN 3720 FMI 0, or CHECK ENGINE SPN 3720 FMI 16 in the InfoCenter, clean the soot filter using the steps that follow:

**ACTIVE FAULT**  
 SPN = 3251  
 HIGH  
 PRESS ANY KEY



TOTAL ALARMS	1		
SRC	DESCRIPTION	FAIL MODE	
1.	HYDRAULIC		
0x00	ENG HRS - 0	HIGH	
	SPN - 3251	FMI - 0	
	OCC CNT - 1		

g243500

**ACTIVE FAULT**  
 SPN = 3720  
 HIGH  
 PRESS ANY KEY



TOTAL ALARMS	1		
SRC	DESCRIPTION	FAIL MODE	
1.	HYDRAULIC		
0x00	ENG HRS - 0	HIGH	
	SPN - 3720	FMI - 0	
	OCC CNT - 1		

g243501

**Figure 94**

1. Refer to the Engine section in the *Service Manual* for information on disassembling and assembling the diesel-oxidation catalyst and the soot filter of the DPF.
2. Refer to your authorized Toro distributor for diesel-oxidation catalyst and the soot filter replacement parts or service.
3. Contact your Authorized Toro Distributor to have them reset the engine ECU after you install a clean DPF.

# Fuel System Maintenance

## Servicing the Fuel System

### Draining the Fuel Tank

**Service Interval:** Every 800 hours—Drain and clean the fuel tank.

Drain and clean the tank also if the fuel system becomes contaminated or if you are storing the machine for an extended period of time. Use clean fuel to flush out the tank.

### Inspecting the Fuel Lines and Connections

**Service Interval:** Every 500 hours—Inspect the fuel lines and connections.

Inspect the fuel lines and connections for deterioration, damage, or loose connections.

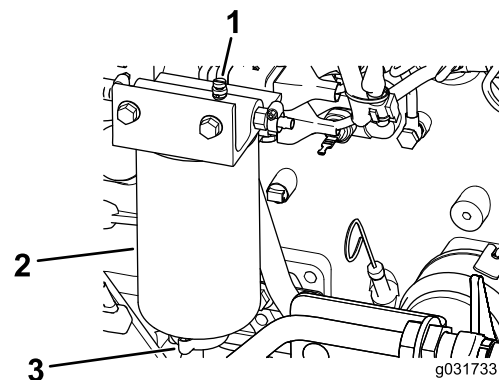
## Servicing the Water Separator

**Service Interval:** Before each use or daily—Drain the water separator.

Every 400 hours—Replace the fuel/water separator element.

### Draining the Water Separator

1. Place a drain pan under the fuel filter.
2. Loosen the drain valve on the bottom of the filter ([Figure 95](#)).



g031733

**Figure 95**

1. Vent plug
2. Water separator/filter
3. Drain valve

g031733

3. Tighten the valve after draining.

## Replacing the Water-Separator Element

1. Place a clean container under the water separator.
2. Drain some fuel by loosening the vent plug and opening the drain valve (Figure 95).
3. Clean the area where the filter element mounts to the head.
4. Remove the filter element.
5. Apply a coating of clean fuel or engine oil to the new O-ring and element seal.
6. Install the new filter canister by hand until the gasket contacts the filter head, then tighten it an additional 1/2 turn.

**Note:** Do not use tools.

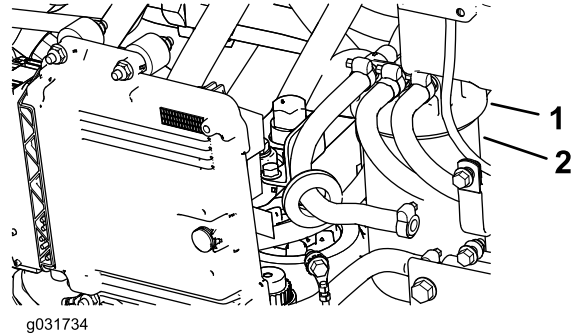
7. Close the drain plug.
8. With the vent plug still loosened, turn the ignition key to the RUN position (do not start the engine) so that the electric fuel pump can fill the new filter.
9. When fuel flows from the vent plug, close the vent plug, start the engine, and check for leaks.

**Note:** Correct as necessary with the engine off.

## Replacing the Fuel Filter Element

**Service Interval:** Every 500 hours—Replace the fuel-filter element.

1. Clean the area around the fuel-filter head (Figure 96).



**Figure 96**

1. Fuel-filter head

2. Filter

2. Remove the filter and clean the filter-head-mounting surface (Figure 96).
3. Lubricate the filter gasket with clean, lubricating engine oil; refer to the engine owner's manual (included with the machine) for additional information.
4. Install the dry filter canister, by hand, until the gasket contacts the filter head, then rotate it an additional 1/2 turn.
5. Turn the ignition key to the RUN position so that the electric fuel pump can fill the fuel-filter canister.
6. Start the engine and check for fuel leaks around the filter head.

# Electrical System Maintenance

## Electrical System Safety

**WARNING**

**CALIFORNIA**  
Proposition 65 Warning

Battery posts, terminals, and related accessories contain lead and lead compounds, chemicals known to the State of California to cause cancer and reproductive harm. Wash hands after handling.

- Disconnect the battery before repairing the machine. Disconnect the negative terminal first and the positive last. Connect the positive terminal first and the negative last.
- Charge the battery in an open, well-ventilated area, away from sparks and flames. Unplug the charger before connecting or disconnecting the battery. Wear protective clothing and use insulated tools.

## Locating the Fuses

**Important:** If you are installing an auxiliary accessory to the machine, the only approved locations to source power are at the traction-unit fuse block (Figure 101) or the cab-fuse block (Figure 103). A maximum of 10 A is available from either location. Contact your local Toro distributor for assistance.

**Note:** Shut off the engine and remove the key before removing the fuses.

The traction-unit fuses (Figure 97) are located in the power-center console behind the seat (Figure 98).

Additional traction-unit fuses (Figure 99) are located on the rear, right side of the machine (Figure 100).

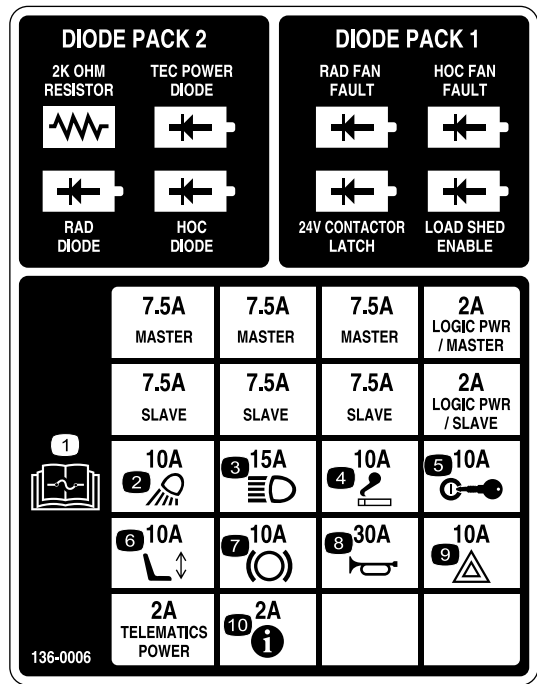


Figure 97

dec136-0006

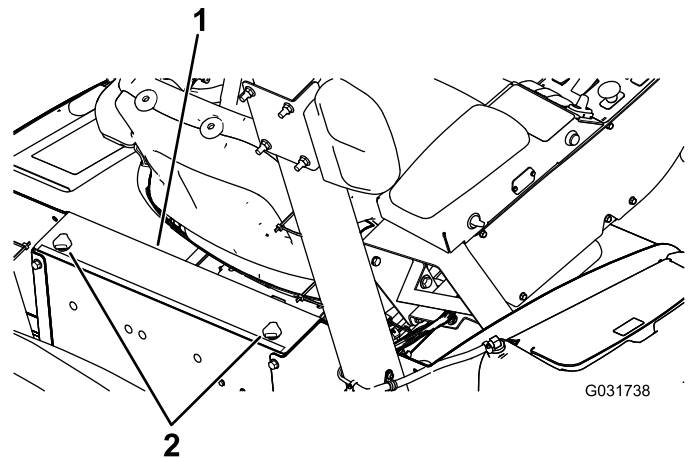


Figure 98

G031738

g031738

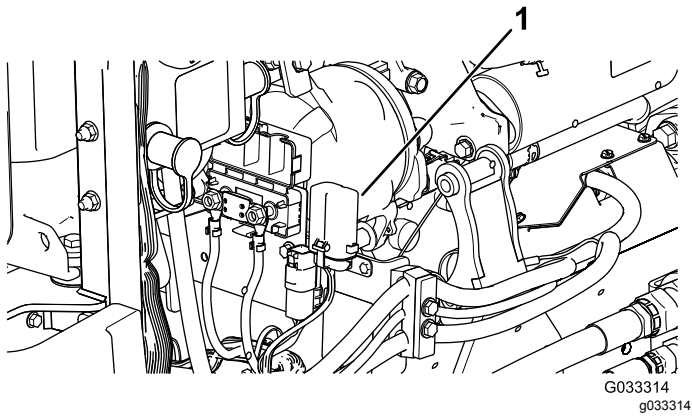
1. Power-center console
2. Knobs



Figure 99

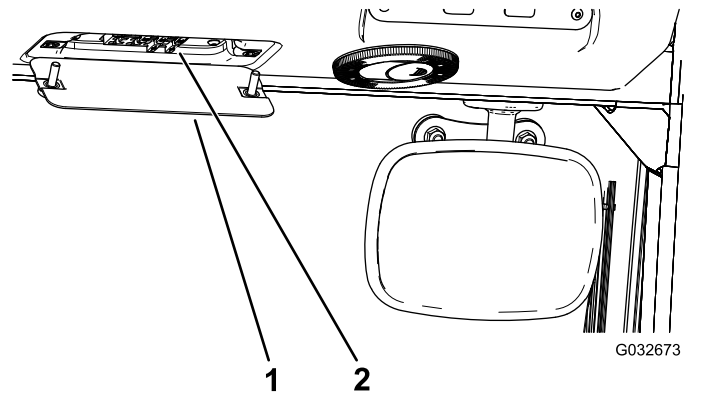
G033312

g033312



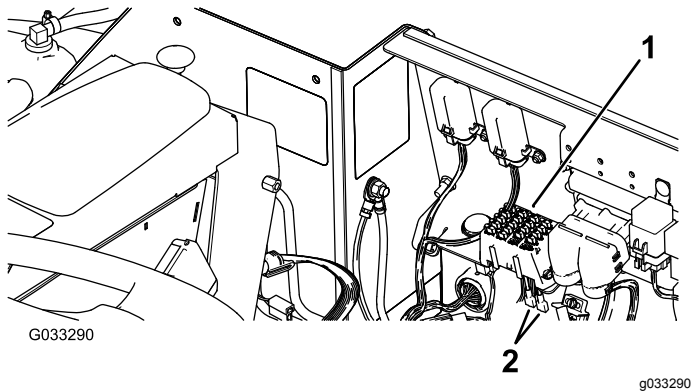
**Figure 100**

- 1. Fuse block



**Figure 103**

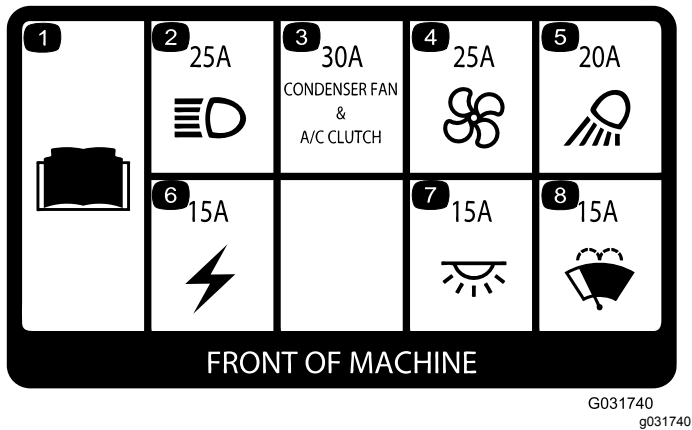
- 1. Cab fuse box
- 2. Fuses



**Figure 101**

- 1. Fuse block
- 2. Power leads

The cab fuses (Figure 102) are located in the fuse box on the cab headliner (Figure 103).



**Figure 102**

## Checking the Condition of the Batteries

**Service Interval:** Every 50 hours—Check the condition of the batteries.

**Important:** Before welding on the machine, disconnect the battery to prevent damage to the electrical system. Also, you must disconnect the engine controller, InfoCenter, and machine controllers before welding on the machine.

**Note:** Keep the terminals and the entire battery case clean, because a dirty battery discharges slowly. To clean the battery, wash the entire case with a solution of baking soda and water. Rinse with clear water. Coat the battery posts and cable connectors with Grafo 112X (skin-over) grease (Toro Part No. 505-47) or petroleum jelly to prevent corrosion.

# Charging the Batteries

## ⚠ WARNING

Charging the batteries produces gasses that can explode.

Do not smoke near the battery, and keep sparks and flames away from the batteries.

**Note:** This procedure is for charging the 12 V system.

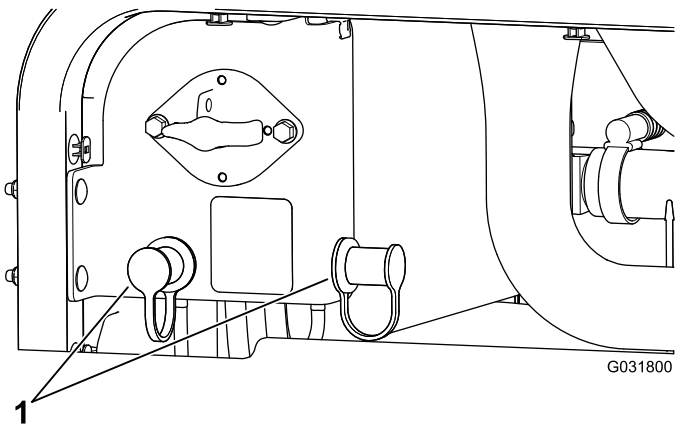
**Important:** Keep the batteries fully charged. This is especially important to prevent battery damage when the temperature is below 32°F (0°C).

1. Perform the pre-maintenance procedure; refer to [Pre-Maintenance Procedures \(page 61\)](#).

2. Clean the exterior of the battery case and the battery posts.

**Note:** Connect the leads of the battery charger to battery posts before connecting the charger to the electrical source.

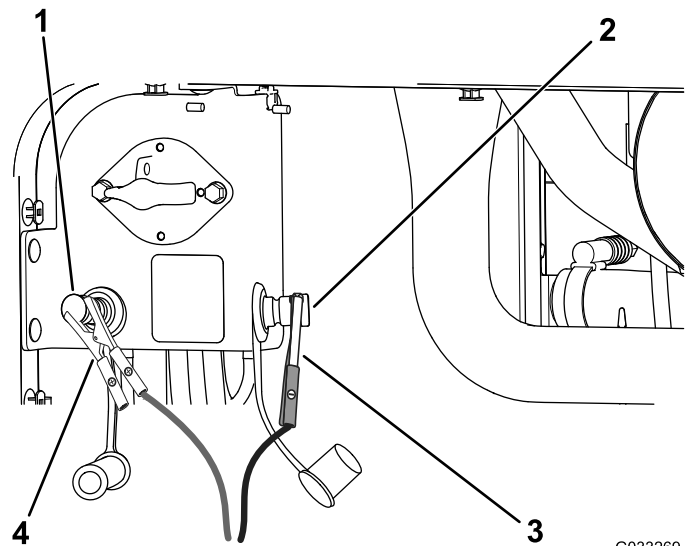
3. Remove the covers from the jump posts ([Figure 104](#)).



**Figure 104**

1. Jump-post covers

4. Connect the positive lead of the battery charger to the positive jump post ([Figure 105](#)).



**Figure 105**

1. Positive (+) jump post
2. Negative (-) jump post
3. Negative (-) jumper-cable clamp
4. Positive (+) jumper-cable clamp

5. Connect the negative lead of the battery charger to the negative jump post ([Figure 105](#)).

6. Connect the battery charger to the electrical source, and charge the battery according to the Battery-charging Table that follows.

**Important:** Do not overcharge the battery.

### Battery-charger Table

Charger setting	Charging time
4 to 6 A	30 minutes
25 to 30 A	10 to 15 minutes

7. When the batteries are fully charged, unplug the charger from the electrical source, then disconnect the charger leads from the jump posts ([Figure 105](#)).

## Jump-Starting the Machine

### ⚠ WARNING

Jump-starting the battery can produce gasses that can explode.

Do not smoke near the battery and keep sparks and flames away from battery.

**Note:** This procedure requires 2 people to perform. Ensure that the person making the connections wears the proper face protection, protective gloves, and clothing.

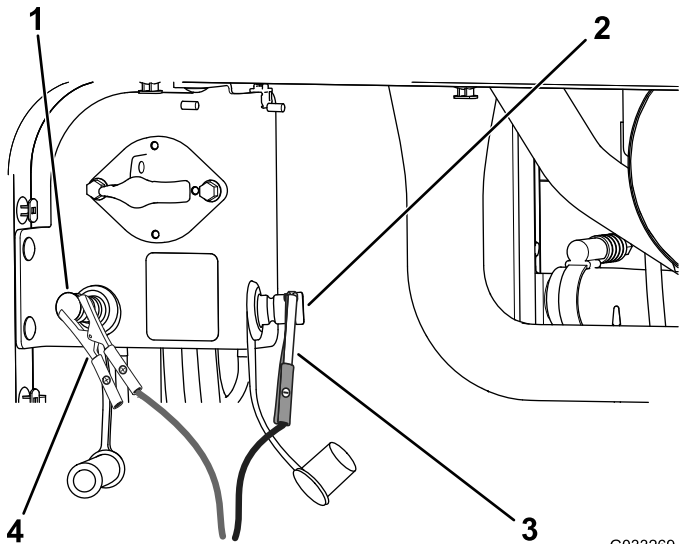


1. Park the machine on a level surface, engage the parking brake, lower the cutting deck, and shut off the engine.
2. Sit in the operator seat and have the other person make the connections.

**Note:** Ensure that the jumper battery is a 12V battery.

**Important:** If you are using another machine for power, ensure that the 2 machines are not touching each other.

3. Remove the covers from the jump posts (Figure 104).
4. Connect the positive (+) jumper cable to the positive jump post (Figure 106).



**Figure 106**

G033269  
g033269

- |                           |                                    |
|---------------------------|------------------------------------|
| 1. Positive (+) jump post | 3. Negative (-) jumper-cable clamp |
| 2. Negative (-) jump post | 4. Positive (+) jumper-cable clamp |

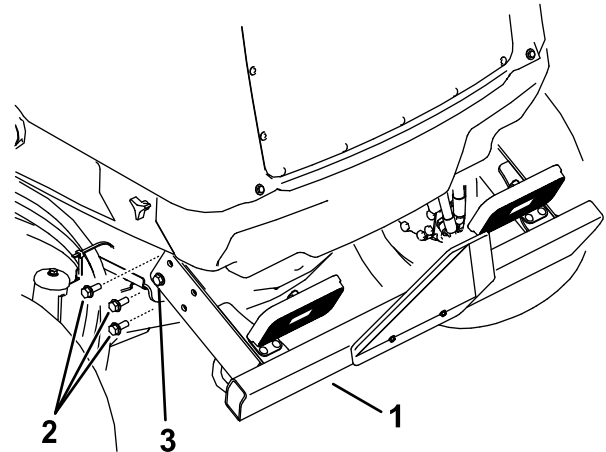
5. Connect the negative (-) jumper cable to the negative jump post (Figure 106).
6. Start the engine.

**Important:** If the engine starts and then stops, do not operate the starter motor until the starter motor stops turning. Do not operate the starter motor for more than 30 seconds at one time. Wait 30 seconds before operating the starter motor to cool the motor.

7. When the engine starts, have the other person disconnect the negative (-) jumper cable from the negative jump post and then disconnect the positive (+) jumper cable (Figure 106).

## Removing the Batteries

1. Open the hood and turn the battery-disconnect switch to the OFF position.
2. Remove the three 3 flange screws from each side of the rear bumper as shown in Figure 107.
3. Loosen the remaining flange screws securing the rear bumper to the frame and pivot the bumper downward.

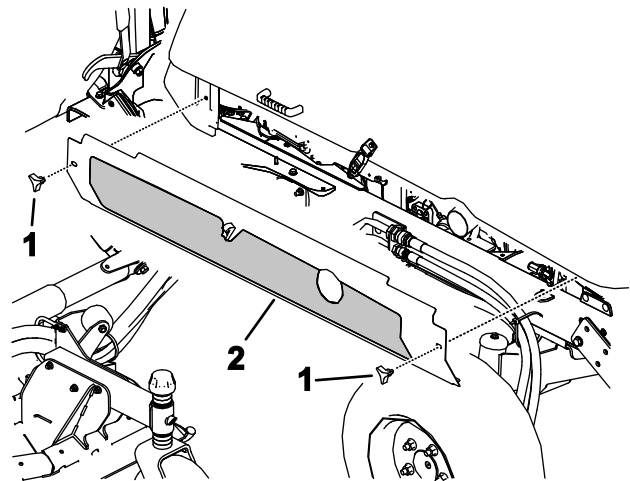


**Figure 107**

g199824

1. Rear bumper
2. Loosen this flange screw on both sides.
3. Remove these 3 flange screws on both sides.

4. Loosen the knobs and remove both side shrouds (Figure 108).

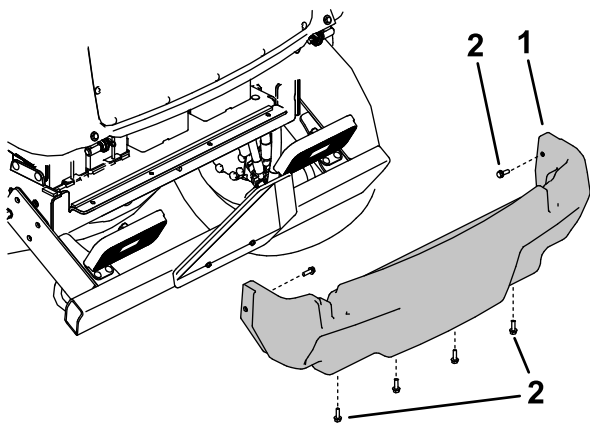


**Figure 108**

g199825

1. Knobs
2. Remove the side shrouds on both sides

5. Remove the 6 flange screws securing rear shroud to the frame and remove the rear shroud (Figure 109).

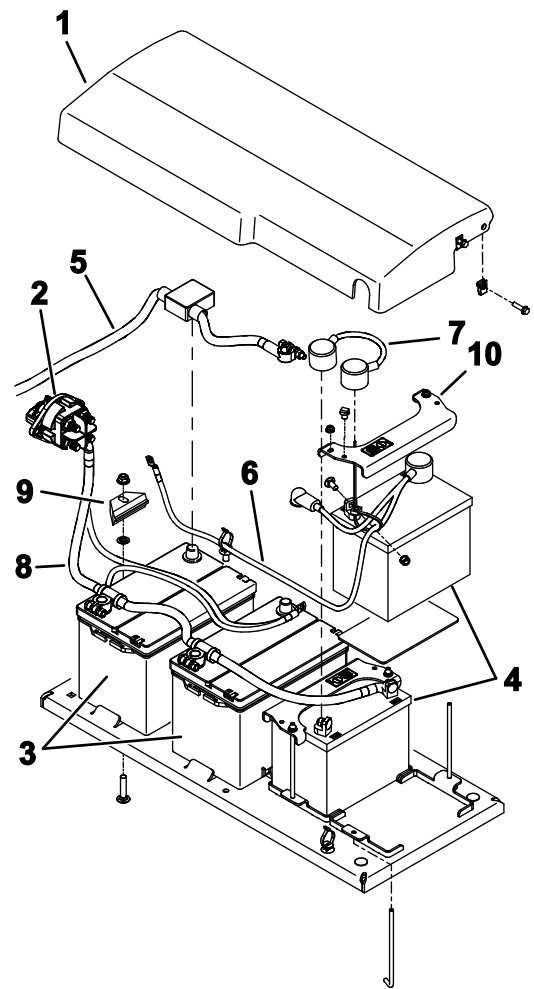


**Figure 109**

g199826

- 1. Rear shroud
- 2. Flange screw

- 6. Remove the fasteners that secure the battery cover to the machine and remove the cover (Figure 110).
- Note:** Make note of how and where the battery cables are installed.
- 7. Loosen and remove the battery cables from the batteries.
  - 8. Remove the fasteners that secure the battery-hold downs.
  - 9. Carefully remove the batteries from the machine (Figure 110).



**Figure 110**

g199822

- 1. Battery cover
- 2. Battery-disconnect switch
- 3. Batteries—12 V (for 12 VDC system)
- 4. Batteries—12 V (for 24 VDC system)
- 5. Positive (+) cable (for 12 VDC system)
- 6. Cable assembly (for 24 VDC system)
- 7. Cable - jumper (for 24 VDC system)
- 8. Ground cable (-)
- 9. Battery hold down
- 10. Battery hold down



## Installing the Batteries

1. Secure the batteries with the hold downs (Figure 110).
2. Install the battery cables.
3. Position the battery cover in place and secure it with the removed fasteners.
4. Install the rear shroud (Figure 109).
5. Install the side shrouds (Figure 108).
6. Raise the rear bumper into position and install the flange screws. Tighten all the flange screws securing the rear bumper to the frame (Figure 107).
7. Turn the battery-disconnect switch to the ON position.

## Drive System Maintenance

### Calibrating the Traction Pedal

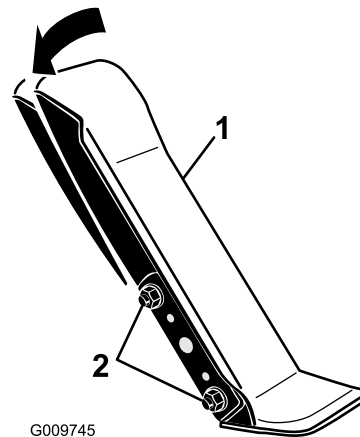
**Service Interval:** Every 1,000 hours—Calibrate the traction pedal.

Contact your local Toro distributor or refer to the *Toro Service Manual* for assistance.

### Adjusting the Traction-Pedal Angle

You can adjust the operating angle of the traction pedal for your comfort.

1. Loosen the 2 nuts and bolts securing the left side of the traction pedal to the bracket (Figure 111).



**Figure 111**

1. Traction pedal
2. Mounting nuts and bolts

2. Pivot the pedal to the desired operating angle and tighten the nuts (Figure 111).

# Checking the Rear Wheel Toe-In

**Service Interval:** Every 1,000 hours—Check the rear wheel toe-in.

1. With the rear tires in a straight position, measure the outside distance (at axle height) at the front and rear of the rear tires (Figure 112).

**Note:** The front measurement should be 0 to 3 mm (0 to 0.12 inch) greater than the rear measurement.

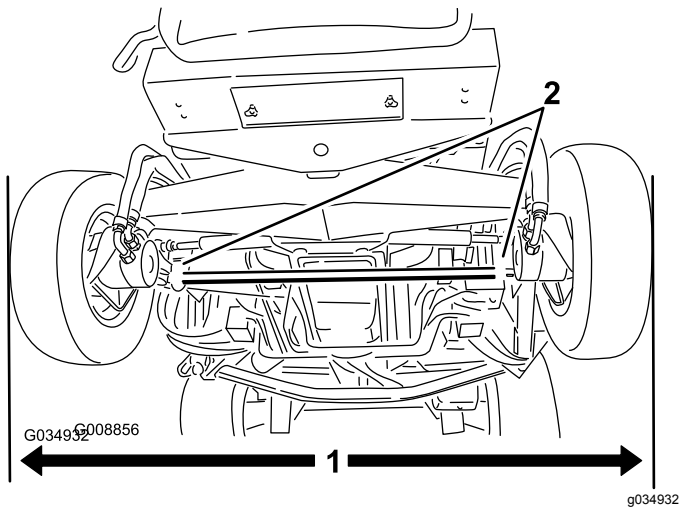


Figure 112

1. Outside distance
2. Tie-rod clamps

2. To adjust the toe-in, loosen the clamps at both ends of the tie rods (Figure 112).
3. Rotate the tie-rod to move the front of the tire inward or outward.
4. Once you achieve the correct toe-in, tighten the tie-rod clamps.

# Cooling System Maintenance

## Cooling System Safety

- Swallowing engine coolant can cause poisoning; keep out of reach from children and pets.
- Discharge of hot, pressurized coolant or touching a hot radiator and surrounding parts can cause severe burns.
  - Always allow the engine to cool at least 15 minutes before removing the radiator cap.
  - Use a rag when opening the radiator cap, and open the cap slowly to allow steam to escape.
- Do not operate the machine without the covers in place.
- Keep your fingers, hands and clothing clear of rotating fan and drive belt.
- Shut off the engine and remove the key before performing maintenance.

## Checking the Engine-Cooling System

**Service Interval:** Before each use or daily—Check the engine-coolant level in the overflow reservoir.

Every 100 hours—Inspect the cooling-system hoses.

The capacity of the system on a machine without a cab is 10.4 L (13.5 US qt) and with a cab is 17 L (18 US qt).

**Recommended coolant:** Ethylene glycol anti-freeze and water (50/50 blend).

### **⚠ DANGER**

The rotating fans and drive belts can cause personal injury.

- Do not operate the machine without the covers in place.
- Keep your fingers, hands, and clothing clear of the rotating fan and drive belt.
- Shut off the engine, remove the key, and turn the battery-disconnect switch to the OFF position before performing maintenance.

## ⚠ CAUTION

If the engine has been running, the pressurized, hot coolant can escape and cause burns.

- Do not open the radiator cap when the engine is running.
- Use a rag when opening the radiator cap, and open the cap slowly to allow steam to escape.

1. Carefully remove the radiator cap and expansion-tank cap (Figure 113).

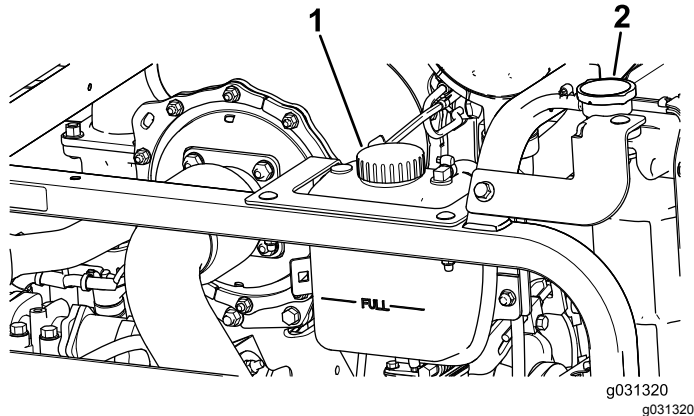


Figure 113

1. Expansion-tank cap
2. Radiator cap

2. Check the coolant level in the radiator (Figure 113).

**Note:** When cool, the radiator should be filled to the top of the filler neck and the expansion tank filled to the Full mark.

3. If the coolant is low, add the recommended replacement coolant to the expansion tank to the Full mark.

**Note:** Do not use water only or alcohol/methanol-based coolants.

4. Install the radiator cap and expansion-tank cap.

## Cleaning the Cooling Systems

**Service Interval:** Before each use or daily

Perform the pre-maintenance procedure; refer to [Pre-Maintenance Procedures](#) (page 61).

**Important:** Do not use water to clean the radiator core or hydraulic-fluid-cooler core. Cleaning the radiator core or hydraulic-fluid-cooler core with water can promote premature corrosion and damage to components.

## Cleaning the Radiator

1. Raise the hood to the fully-open position.
2. Pivot the engine-cooling fans rearward of the radiator and lock the prop rod into the notch (Figure 114).

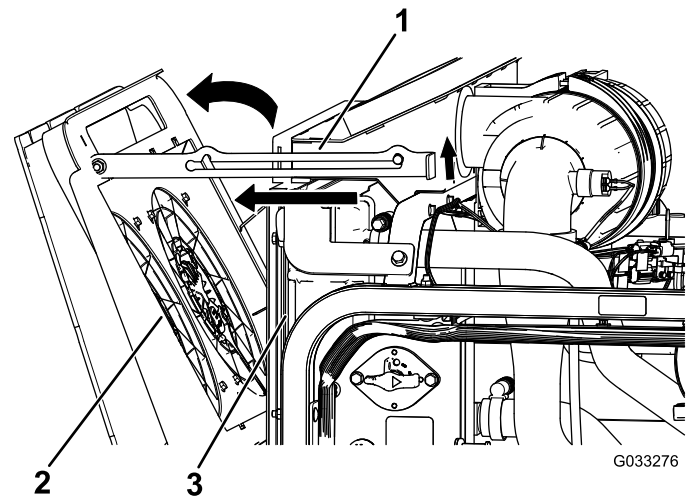
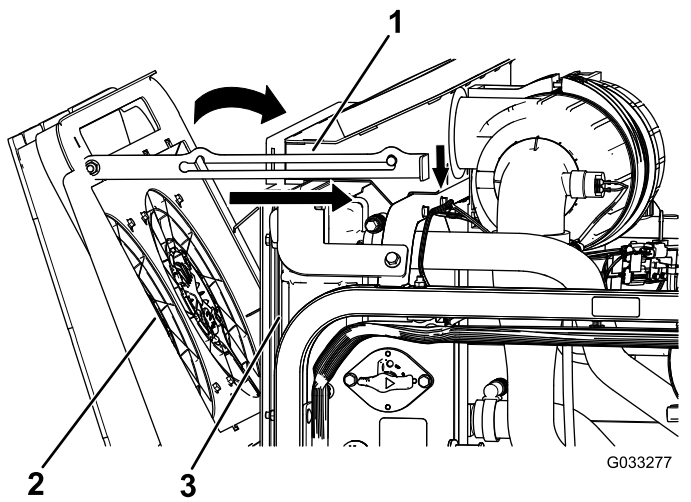


Figure 114

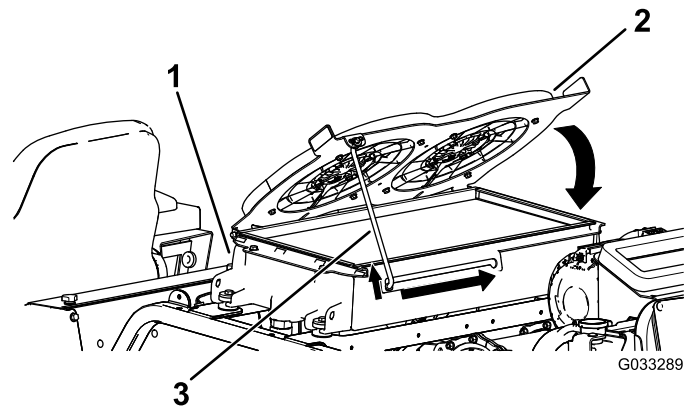
1. Prop rod
2. Engine-cooling fans
3. Radiator

3. Using clean, compressed air, blow the debris from the engine side rearward to clean the radiator core.
4. Pivot the engine-cooling fans forward and lock the prop rod into the notch (Figure 115).



**Figure 115**

1. Prop rod
2. Engine-cooling fans
3. Radiator

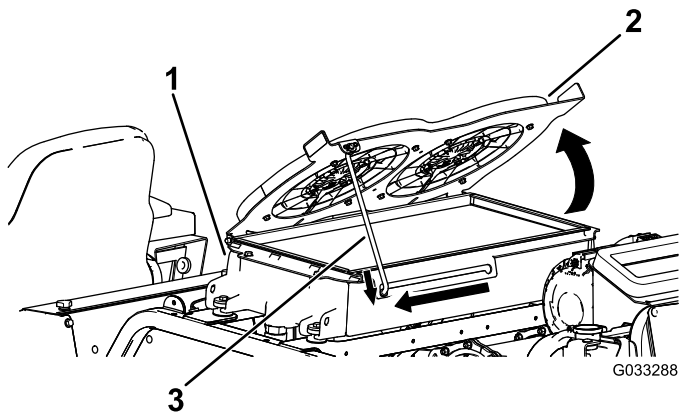


**Figure 117**

1. Hydraulic-fluid cooler
2. Hydraulic-cooling fans
3. Prop rod

## Cleaning the Hydraulic-Fluid Cooler

1. Raise the hood to the fully-open position.
2. Pivot the hydraulic-cooling fans upward and lock the prop rod into the notch (Figure 116).



**Figure 116**

1. Hydraulic-fluid cooler
2. Hydraulic-cooling fans
3. Prop rod

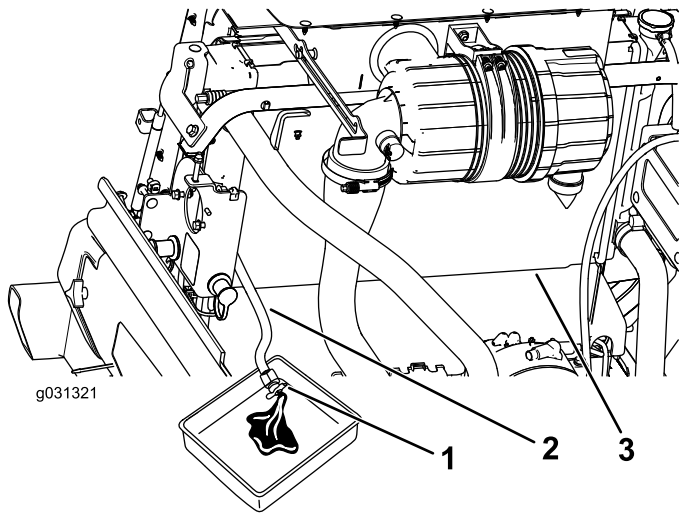
3. Using clean, compressed air, blow the debris from the engine side upward to clean the cooling core.
4. Pivot the hydraulic-cooling fans downward and lock the prop rod into the notch (Figure 117).

## Changing the Engine-Cooling-System Fluid

**Service Interval:** Every 1,000 hours—Flush the engine-cooling system and replace the fluid.

The capacity of the system on a machine without a cab is 10.4 L (13.5 US qt) and with a cab is 17 L (18 US qt).

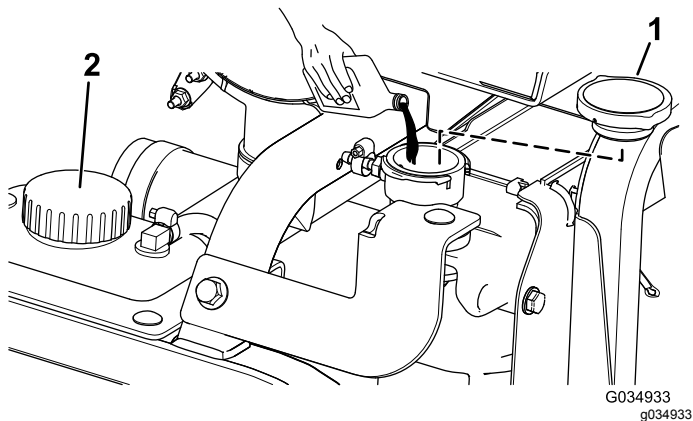
1. Perform the pre-maintenance procedure; refer to [Pre-Maintenance Procedures \(page 61\)](#).
2. Remove the radiator cap.
3. With the radiator drain hose placed in a drain pan, open the drain valve on the radiator hose and drain the fluid into a drain pan (Figure 118).



**Figure 118**

- |                        |             |
|------------------------|-------------|
| 1. Drain valve         | 3. Radiator |
| 2. Radiator drain hose |             |

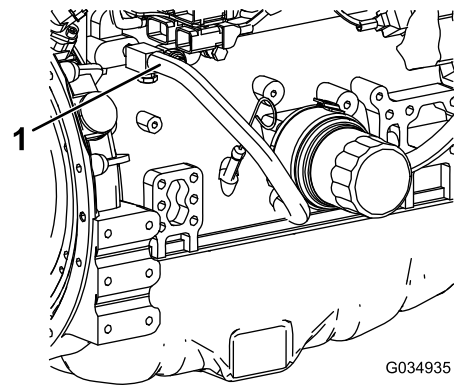
- 
4. Close the valve on the radiator drain hose (Figure 118).
  5. Fill the radiator with coolant until the coolant level even with the lip of the filler port (Figure 119).



**Figure 119**

- |                 |                       |
|-----------------|-----------------------|
| 1. Radiator cap | 2. Expansion-tank cap |
|-----------------|-----------------------|

- 
6. Install the radiator cap.
  7. Remove the coolant hose from the engine-oil cooler (Figure 120).



**Figure 120**

1. Coolant hose

- 
8. After draining the engine coolant, close the drain valve on the radiator drain hose and connect the coolant hose.
  9. Remove the cap of the expansion tank and fill it to the Low mark with engine coolant. Install the cap.
  10. Start and run the engine until it reaches operating temperature.
  11. Check the engine-coolant level; refer to [Checking the Engine-Cooling System \(page 78\)](#).
  12. Add coolant to the expansion tank to bring the coolant level to the Full mark.
  13. Check all engine-coolant-hose connections for leaks.

# Belt Maintenance

## Servicing the 12 V Alternator Belt

**Service Interval:** After the first 10 hours

Every 1,000 hours

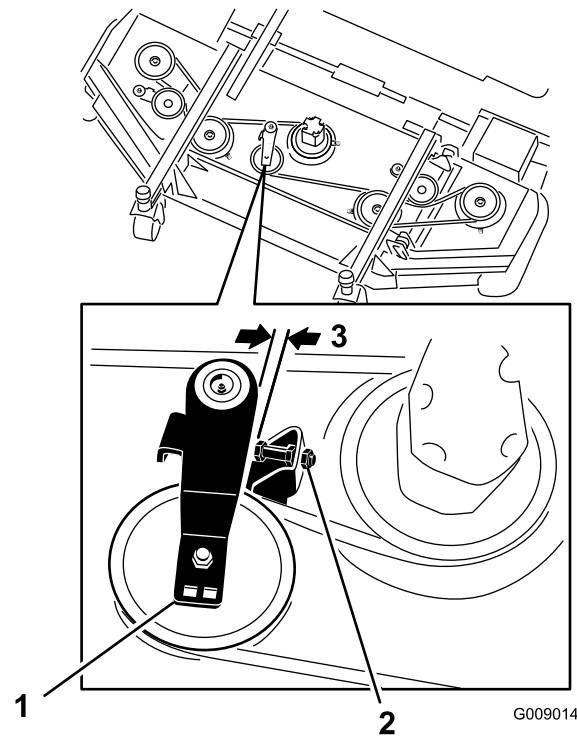
Refer to the engine owner's manual (included with the machine) for the servicing procedure.

## Servicing the 24 V Alternator Belt and AC Compressor Belt

**Service Interval:** After the first 10 hours

Every 1,000 hours

The AC compressor and 24 V alternator belt uses a spring-loaded tensioner that is pre-set at the factory. Refer to the *Toro Service Manual* for the servicing procedure.



**Figure 121**

1. Idler pulley
2. Idler stop screw
3. 2.5 mm to 4 mm (0.10 to 0.16 inch)

## Replacing the Blade-Drive Belts

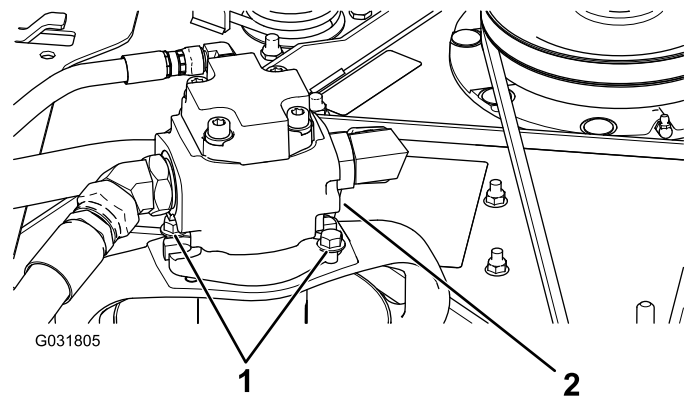
**Service Interval:** Every 50 hours—Inspect the blade-drive belts.

Every 1,000 hours—Replace the blade-drive belts.

The blade-drive belt, tensioned by the spring-loaded idler pulley, is very durable. However, after many hours of use, the belt will show signs of wear. Signs of a worn belt are squealing when the belt is rotating, blades slipping when cutting grass, frayed edges, burn marks, and cracks. Replace the belt if any of these signs occur.

## Replacing the Front Mower-Deck Belts

1. Lower the mower deck to the floor.
2. Remove the belt covers from the top of the mower deck and set the covers aside.
3. On the front deck, center position, loosen the jam nuts on the idler pulley stop screw and thread the stop screw into the bracket ([Figure 121](#)).



**Figure 122**

1. Mounting bolts
2. Hydraulic motor
6. Lift the motor off the mower deck and lay it on top of the mower deck.
7. Remove the old belt from around the spindle pulleys and idler pulley.



- Route the new belt around the spindle pulleys and idler-pulley assembly (Figure 123).

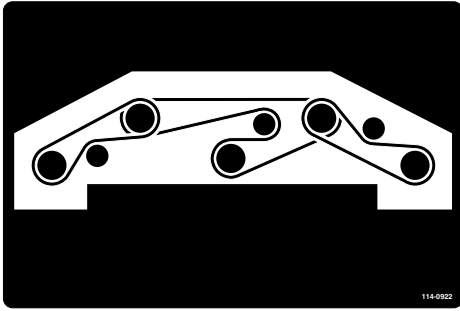


Figure 123

decal114-0922nc

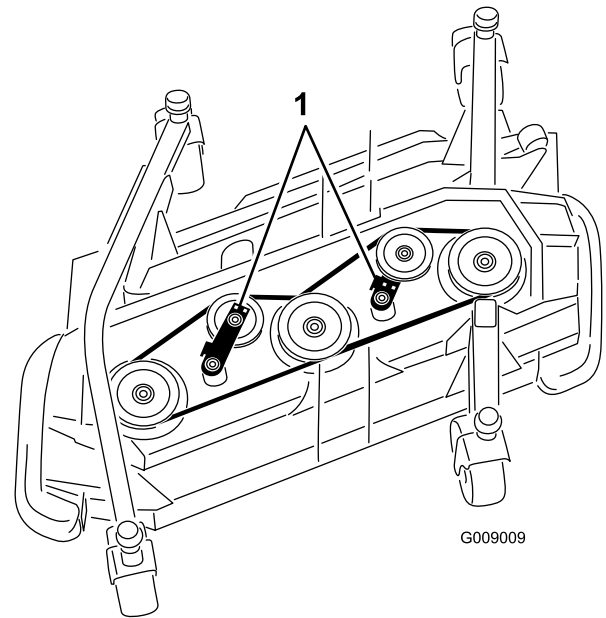


Figure 124

g009009

- Idler pulleys

- Remove the old belt from around the spindle pulleys and idler pulley.
- Route the new belt around the spindle pulleys and idler-pulley assembly (Figure 125 and Figure 126).

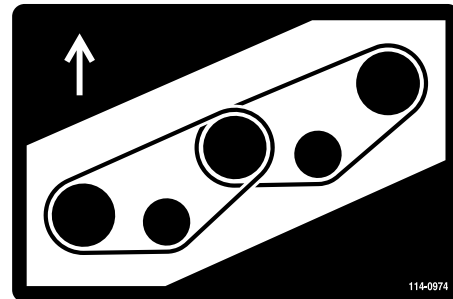


Figure 125

Right deck

decal114-0974nc

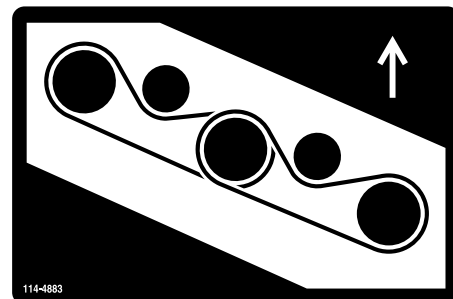


Figure 126

Left deck

decal114-4883nc

- Adjust the stop screw on the idler pulley and tighten the jam nuts.
- Install the belt covers.

## Replacing the Wing Mower-Deck Belts

**Note:** To remove the lower belt, you must remove the upper belt first.

- Lower the mower deck to the floor.
- Remove the belt covers from the top of the mower deck and set the covers aside.
- Remove the bolts securing the hydraulic motor to the mower deck (Figure 122).
- Lift the motor off the mower deck and lay it on top of the mower deck.
- Using a ratchet wrench or similar tool, move the idler pulleys away from the drive belt to release the belt tension and allow the belt to slip off the pulleys (Figure 124).

# Hydraulic System Maintenance

## Hydraulic System Safety

- Seek immediate medical attention if fluid is injected into skin. Injected fluid must be surgically removed within a few hours by a doctor.
- Ensure that all hydraulic-fluid hoses and lines are in good condition and all hydraulic connections and fittings are tight before applying pressure to the hydraulic system.
- Keep your body and hands away from pinhole leaks or nozzles that eject high-pressure hydraulic fluid.
- Use cardboard or paper to find hydraulic leaks.
- Safely relieve all pressure in the hydraulic system before performing any work on the hydraulic system.

## Checking the Hydraulic Fluid

**Service Interval:** Before each use or daily—Check the hydraulic-fluid level.

The hydraulic-fluid reservoir is filled at the factory with approximately 62.7 L (16.6 US gallons) of high-quality hydraulic fluid. **Check the level of the hydraulic fluid before you start the engine for the first time and daily thereafter.**

Use **Toro Premium All-Season Hydraulic Fluid** (Available in 5-gallon pails or 55-gallon drums. See the *Parts Catalog* or an authorized Toro distributor for part numbers.)

If the Toro fluid is not available, you may use other fluids provided that they meet all the following material properties and industry specifications. Consult with your lubricant distributor to identify a satisfactory product.

**Note:** Toro does not assume responsibility for damage caused by improper substitutions, so use only products from reputable manufacturers who will stand behind their recommendation.

## High-Viscosity Index/Low-Pour Point Anti-Wear Hydraulic Fluid, ISO VG 46

### Material Properties:

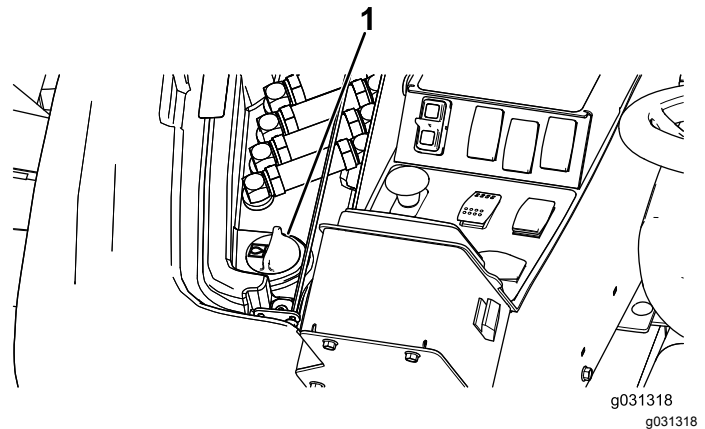
Viscosity, ASTM D445	St @ 40°C 42 to 50
	St @ 100°C 7.6 to 8.5
Viscosity Index ASTM D2270	140 or higher
Pour Point, ASTM D97	-40°F to -49°F
FZG, Fail stage	11 or better
Water content (new fluid)	500 ppm (maximum)

**Industry Specifications:** Vickers I-286-S (Quality Level), Vickers M-2950-S (Quality Level), Denison HF-0

**Important:** The ISO VG 46 multigrade fluid offers optimal performance in a wide range of temperature conditions. For operation in consistently high ambient temperatures, 65°F (18°C) to 120°F (49°C), ISO VG 68 hydraulic fluid may offer improved performance.

**Important:** Many hydraulic fluids are almost colorless, making it difficult to spot leaks. A red dye additive for the hydraulic-system oil is available in 20 ml (2/3 fl oz) bottles. 1 bottle is sufficient for 15 to 22 L (4 to 6 US gallons) of hydraulic oil. Order Toro Part No. 44-2500 from your authorized Toro distributor.

1. Perform the pre-maintenance procedure; refer to [Pre-Maintenance Procedures \(page 61\)](#).
2. On the right side of the machine, raise the access cover to expose the hydraulic-tank cap ([Figure 127](#)).



**Figure 127**

1. Hydraulic-tank cap
3. Clean the area around the filler neck and cap of the hydraulic tank ([Figure 127](#)).
4. Remove the cap from the filler neck.



- Remove the dipstick from the filler neck and wipe it with a clean rag. Insert the dipstick into the filler neck, then remove it and check the fluid level (Figure 128).

**Note:** The fluid level should be within the safe operating range on the dipstick.

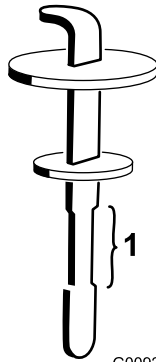


Figure 128

- Safe operating range
- 
- If the level is low, add the appropriate fluid to raise the level to the upper mark.
  - Install the dipstick and cap onto the filler neck.
  - Close the cover.

## Changing the Hydraulic Fluid and Filters

**Service Interval:** Every 1,000 hours

If the hydraulic fluid becomes contaminated, contact your local Toro distributor because the system must be flushed. Contaminated fluid looks milky or black when compared to clean fluid.

Use Toro replacement filters (Part No. 86-6110 for the left side of the machine and Part No. 75-1310 for the right side of the machine).

**Important:** Using any other filter may void the warranty on some components.

- Park the machine on a level surface, engage the parking brake, lower the cutting deck, shut off the engine, and remove the key.
- Place a large drain pan under the hydraulic-fluid tank.
- Remove the hydraulic-tank cap and dipstick.
- Remove the drain plug from the bottom of the tank and let the hydraulic fluid flow into the pan (Figure 129).

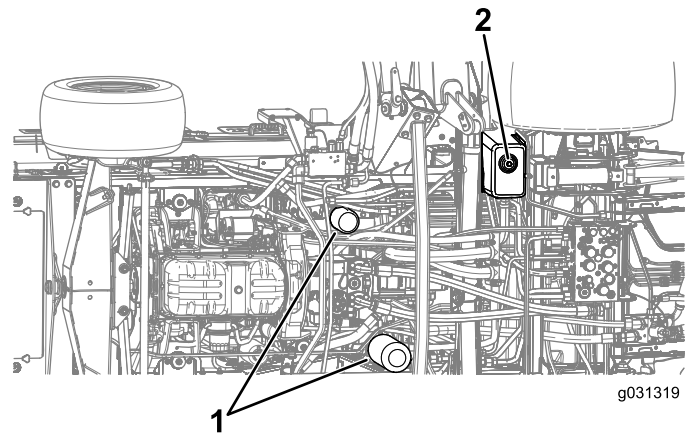


Figure 129

- Hydraulic filters
- Drain plug

- Install the drain plug when the hydraulic fluid stops draining.
  - Clean the area around the filter-mounting areas.
  - Place a drain pan under the filter and remove the filter (Figure 129).
  - Lubricate the new filter gasket and fill the filter with hydraulic fluid.
  - Ensure that each filter-mounting area is clean and screw the filter on until the gasket contacts the mounting plate; then tighten the filter an additional 1/2 turn.
  - Fill the reservoir with hydraulic fluid; refer to [Checking the Hydraulic Fluid \(page 84\)](#).
- Important:** Use only the hydraulic fluids specified. Other fluids could cause system damage.
- Install the reservoir dipstick and cap.
  - Start the engine and use all of the hydraulic controls to distribute hydraulic fluid throughout the system.
- Note:** Also, check for leaks, then shut off the engine.
- Check the fluid level and add enough to raise the level to the Full mark on the dipstick.

**Note:** Do not overfill.

## Checking the Hydraulic Lines and Hoses

**Service Interval:** Every 2 years—Replace moving hydraulic lines and hoses.

Inspect the hydraulic lines and hoses daily for leaks, kinked lines, loose mounting supports, wear, loose fittings, weather deterioration, and chemical deterioration. Make all necessary repairs before operating the machine.

## Inspecting the Hydraulic System Test Ports

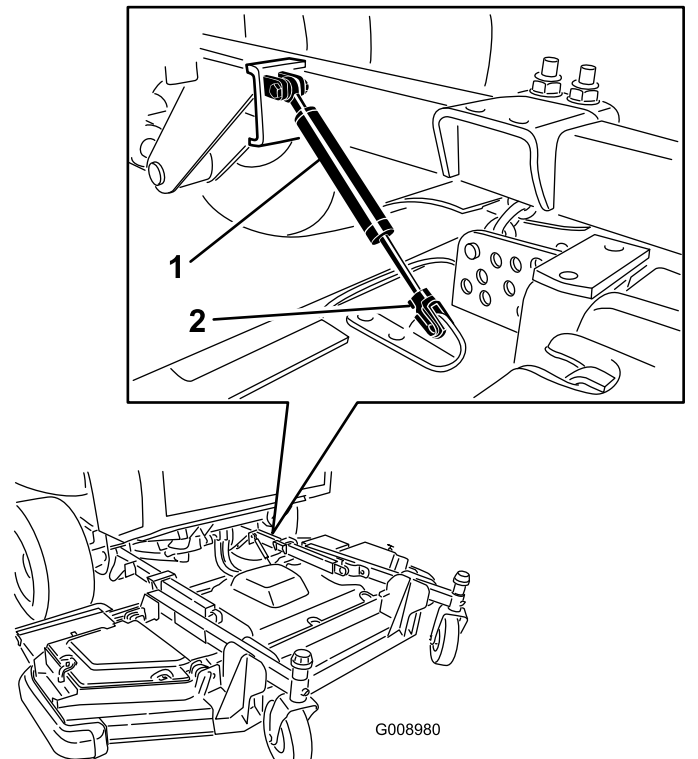
The test ports are used to test the pressure in the hydraulic circuits. Contact your local Toro distributor or refer to the *Toro Service Manual* for assistance.

## Cutting Unit Maintenance

### Pivoting (Tilting) the Front Mower Deck Upright

**Note:** Although not needed for normal maintenance procedures, you can pivot (tilt) the front mower deck upright.

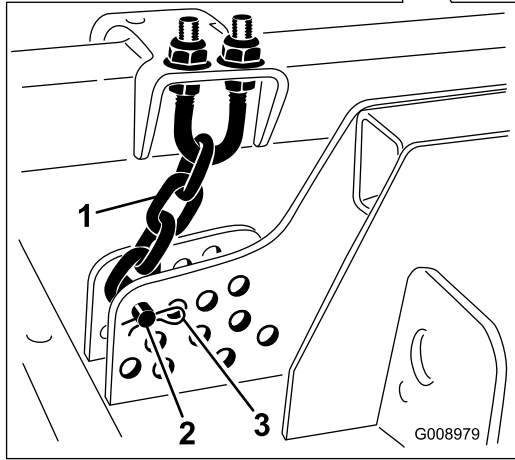
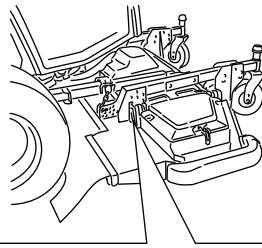
1. Raise the front mower deck slightly off the floor.
2. Perform the pre-maintenance procedure; refer to [Pre-Maintenance Procedures \(page 61\)](#).
3. Remove the retainer clip and disconnect the damper assembly from the mower deck ([Figure 130](#)).



**Figure 130**

1. Damper assembly
2. Retainer clip

4. Remove the hairpin cotter and clevis pin securing the height-of-cut chains to the rear of the mower deck ([Figure 131](#)).

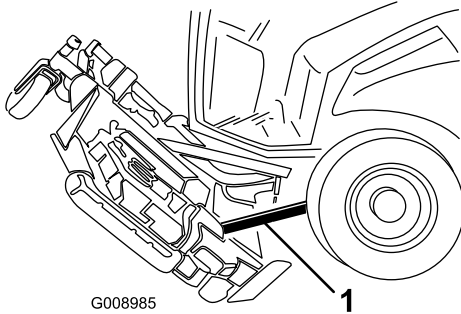


**Figure 131**

g008979

1. Height-of-cut chain
2. Clevis pin
3. Hairpin cotter

5. Start the engine, slowly raise the front mower deck, shut off the engine, and remove the ignition key.
6. Wedge a block of wood between the rear of the deck and the machine (Figure 132).



**Figure 132**

G008985

g008985

1. Block of wood

## Pivoting (Tilting) the Front Mower Deck Down

1. With the help of another person holding the front of the mower deck, remove the block of wood.
2. Sit on the seat, start the engine, and lower the mower deck until it is slightly off the floor.
3. Secure the height-of-cut chains to the rear of the mower deck.

4. Connect the damper assembly and secure it with the retainer clip.

## Adjusting the Mower-Deck Pitch

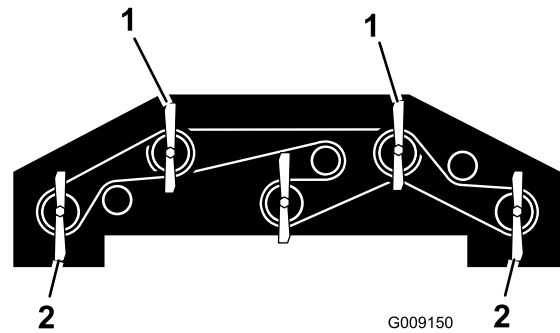
### Measuring the Mower-Deck Pitch

The mower-deck pitch is the difference between the height of cut from the front tip of the blade to the back tip. Set a blade pitch of 6.3 to 9.7 mm (0.25 to 0.38 inch); i.e., the back tip of the blade should be 7.5 mm (0.3 inch) higher than the front tip.

1. Park the machine on a level surface, engage the parking brake, lower the cutting deck, shut off the engine, and remove the key.
2. Set the mower deck to the desired height of cut.
3. Ensure that the winglets are level to the front deck and the front deck is level side to side.

### Adjusting the Front Mower-Deck Pitch

1. Rotate each blade so that they point straight forward (Figure 133).



**Figure 133**

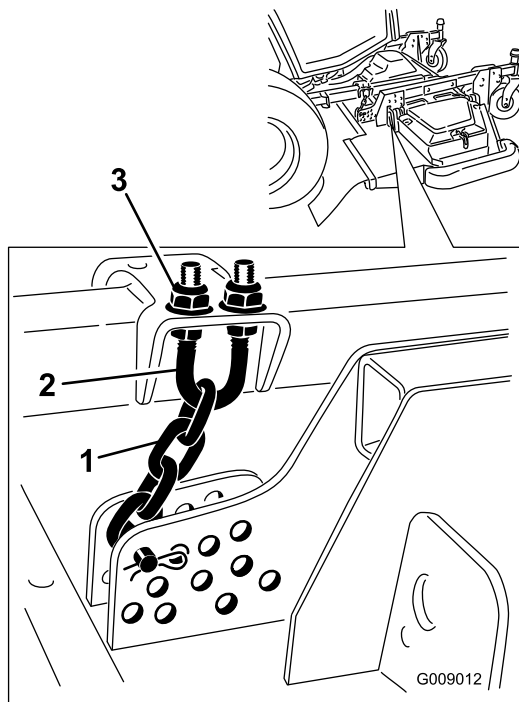
G009150

g009150

1. Use 1 of these blades for measuring the front-blade height.
2. Use 1 of these blades for measuring the rear-blade height.

2. Using a short ruler, measure from the floor to the front tip of the front blade and record this dimension.
3. Measure from the floor to the back tip of the winglet blade and record this dimension.
4. Subtract the front dimension from the rear dimension to calculate the pitch of each blade.
5. Loosen the jam nuts on the top or bottom of the height-of-cut chain U-bolt (Figure 134).

**Note:** Loosen or tighten the height-of-cut chain nuts equally, so that the deck remains level from side to side.



**Figure 134**

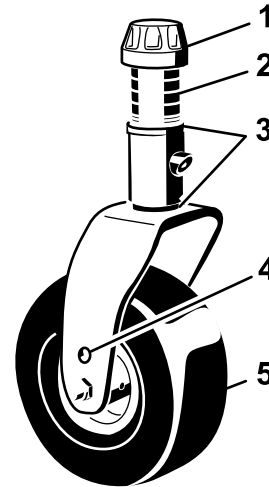
g009012

1. Height-of-cut chain
2. U-bolt
3. Nut (2)

6. Adjust the other set of nuts to raise or lower the rear of the mower deck and attain the correct mower-deck pitch based on the average pitch of each blade.
7. Tighten the jam nuts.

## Adjusting the Wing Mower-Deck Pitch

1. Remove the tensioning cap from the caster-spindle shaft and slide the spindle out of the caster arm (Figure 135).



**Figure 135**

G008866

g008866

1. Tensioning cap
2. Spacers
3. Shims
4. Top axle-mounting hole
5. Caster wheel

2. Position the shims, as required, to raise or lower the caster wheel until the mower deck has the correct pitch.
3. Install the tensioning cap.

## Servicing the Caster-Arm Bushings

The caster arms have bushings pressed into the top and bottom of the tube, and after many hours of operation, the bushings wear. To check the bushings, move the caster fork back and forth and from side to side. If the caster spindle is loose inside the bushings, the bushings are worn; replace them.

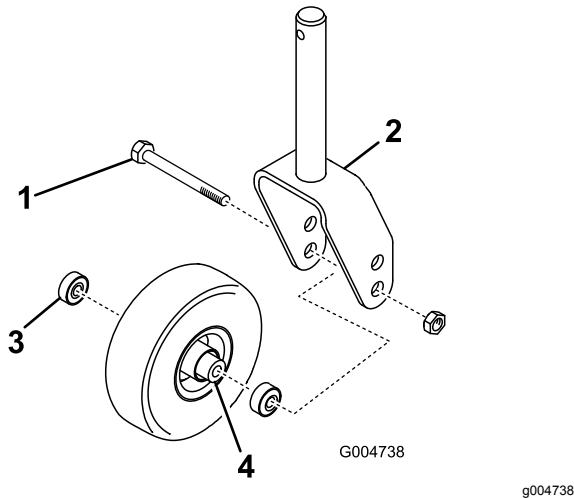
Remove the tensioning cap and caster fork (Figure 135).

**Note:** Record the position of the washers and spacers before you remove them so that you do not need to adjust the deck pitch.

# Servicing the Caster Wheels and Bearings

**Service Interval:** Every 500 hours—Inspect the mower deck caster-wheel assemblies.

1. Remove the locknut from the bolt holding the caster-wheel assembly between the caster fork or the caster-pivot arm (Figure 136).



**Figure 136**

- |                 |                   |
|-----------------|-------------------|
| 1. Caster wheel | 3. Bearing        |
| 2. Caster fork  | 4. Bearing spacer |

2. Grasp the caster wheel and slide the bolt out of the fork or pivot arm (Figure 136).
3. Remove the bearing from the wheel hub and allow the bearing spacer to fall out (Figure 136).
4. Remove the bearing from the opposite side of the wheel hub (Figure 136).
5. Check the bearings, spacer, and inside of the wheel hub for wear.

**Note:** Replace any damaged parts.

6. To assemble the caster wheel, push the bearing into the wheel hub.

**Note:** When installing the bearings, press on the outer race of the bearing.

7. Slide the bearing spacer into the wheel hub and push the other bearing into the open end of the wheel hub to captivate the bearing spacer inside the wheel hub.
8. Install the caster-wheel assembly between the caster fork and secure it in place with the bolt and locknut.

# Blade Maintenance

## Blade Safety

A worn or damaged blade can break, and a piece of the blade could be thrown toward you or bystanders, resulting in serious personal injury or death.

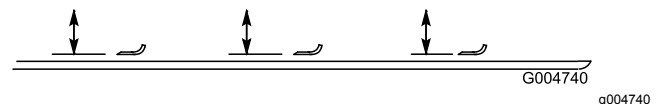
- Inspect the blade periodically for wear or damage.
- Use care when checking the blades. Wrap the blades or wear gloves, and use caution when servicing the blades. Only replace or sharpen the blades; never straighten or weld them.
- On multi-bladed machines, take care as rotating 1 blade can cause other blades to rotate.

## Checking for a Bent Blade

After striking a foreign object, inspect the machine for damage and make repairs before restarting and operating the equipment. Torque all the spindle-pulley nuts to 176 to 203 N·m (130 to 150 ft-lb).

1. Raise the mower deck.
2. Perform the pre-maintenance procedure; refer to [Pre-Maintenance Procedures \(page 61\)](#).
3. Block the mower deck to prevent it from accidentally falling.
4. Rotate the blade until the ends face forward and backward, and measure from the inside of the mower deck to the cutting edge at the front of the blade (Figure 137).

**Note:** Record this dimension.



**Figure 137**

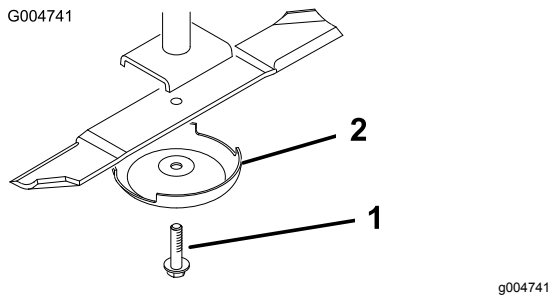
5. Rotate the opposite end of the blade forward and measure between the mower deck and cutting edge of the blade at the same position as in step 4.

**Note:** The difference between the dimensions obtained in steps 4 and 5 must not exceed 3 mm (1/8 inch). If the dimension exceeds 3 mm (1/8 inch), the blade is bent and must be replaced; refer to [Removing and Installing a Blade \(page 90\)](#).

# Removing and Installing a Blade

Replace the blade if it hits a solid object, if it is out of balance, or if it is bent. Always use genuine Toro replacement blades to be sure of safety and optimum performance. Never use replacement blades made by other manufacturers because they could be dangerous.

1. Raise the mower deck to the highest position.
2. Perform the pre-maintenance procedures; refer to [Pre-Maintenance Procedures \(page 61\)](#).
3. Block the mower deck to prevent it from accidentally falling.
4. Grasp the end of the blade using a rag or thickly padded glove and remove the blade bolt, anti-scalp cup, and blade from the spindle shaft ([Figure 138](#)).



**Figure 138**

1. Blade bolt
2. Anti-scalp cup

5. Install the blade, anti-scalp cup, and blade bolt.
6. Torque the blade bolt to 115 to 149 N·m (85 to 110 ft-lb).

**Important:** The curved part of the blade must point toward the inside of the mower deck to ensure proper mowing.

**Note:** After striking a foreign object, torque all the spindle-pulley nuts to 176 to 203 N·m (130 to 150 ft-lb) and the blade bolts to 115 to 149 N·m (85 to 110 ft-lb).

# Inspecting and Sharpening a Blade

**Service Interval:** After the first 10 hours

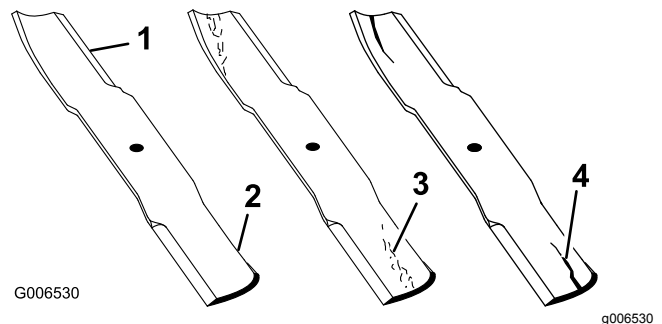
Every 50 hours

Before each use or daily

You must consider 2 areas of the blade when checking and servicing it: the sail and the cutting edge. Both cutting edges and the sail, which is the turned-up portion opposite of the cutting edge, contribute to a good quality of cut. The sail is important because it lifts the grass up straight, thereby producing an even cut. However, the sail gradually wears down during operation, which is normal. As the sail wears down, the quality of cut degrades somewhat, although the cutting edges are sharp. The cutting edge of the blade must be sharp so that the grass is cut, not torn. A dull cutting edge is evident when the tips of the grass appear brown and shredded. Sharpen the cutting edges to correct this condition.

1. Position the machine on a level surface, raise the mower deck, engage the parking brake, put the traction pedal in NEUTRAL, ensure that the PTO switch is in the OFF position, shut off the engine, and remove the key.
2. Examine the cutting ends of the blade carefully (especially where the flat and curved parts of the blade meet) as shown in [Figure 139](#).

**Note:** Since sand and abrasive material can wear away the metal that connects the flat and curved parts of the blade, check the blade before using the mower. If you notice wear, replace the blade ([Figure 139](#)).



**Figure 139**

1. Cutting edge
2. Curved area
3. Wear/slot forming
4. Crack

3. Examine the cutting edges of all of the blades.
4. Sharpen the cutting edges if they are dull or nicked ([Figure 140](#)).



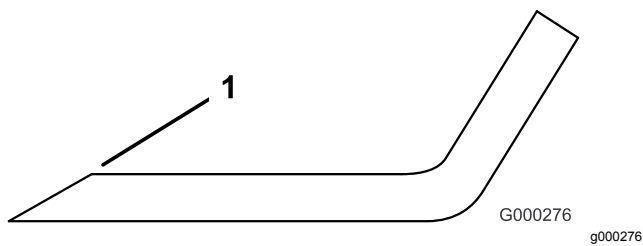


Figure 140

1. Sharpen at the original angle.

**Note:** Sharpen only the top of the cutting edge and maintain the original cutting angle to ensure the sharpness.

**Note:** The blade will remain balanced if the same amount of metal is removed from both cutting edges.

**Note:** Remove the blades and sharpen them on a grinder. After sharpening the cutting edges, install the blade with the anti-scalp cup and blade bolt; refer to [Removing and Installing a Blade \(page 90\)](#).

## Correcting a Mower-Deck Mismatch

When there is mismatch between the blades on a single mower deck, the grass appears streaked when it is cut. You can correct this problem by ensuring that the blades are straight.

1. Using a 1 m (3 ft) long carpenter's level, find a level surface on the shop floor.
2. Raise the height-of-cut to the highest position; refer to [Adjusting the Height of Cut \(page 28\)](#).
3. Lower the mower deck onto a flat surface and remove the covers from the top of the mower deck.
4. Rotate the blades until the ends face forward and backward.
5. Measure from the floor to the front tip of the cutting edge. Record this condition.
6. Rotate the same blade so that the opposite end is forward and measure it again.

**Note:** The difference between the dimensions must not exceed 3 mm (1/8 inch). If the dimension exceeds 3 mm (1/8 inch), replace the blade, as it is bent. Measure all the blades.

7. Ensure that the deck is level from side to side and adjust as required.
8. Install the belt covers.

## Cab Maintenance

### Cleaning the Cab For Machines with a Cab

**Important:** Use care around the cab seals and lights (Figure 141). If you are using a pressure washer, keep the washer wand at least 0.6 m (2 ft) away from the machine. Do not use the pressure washer directly on the cab seals and lights or under the rear overhang.

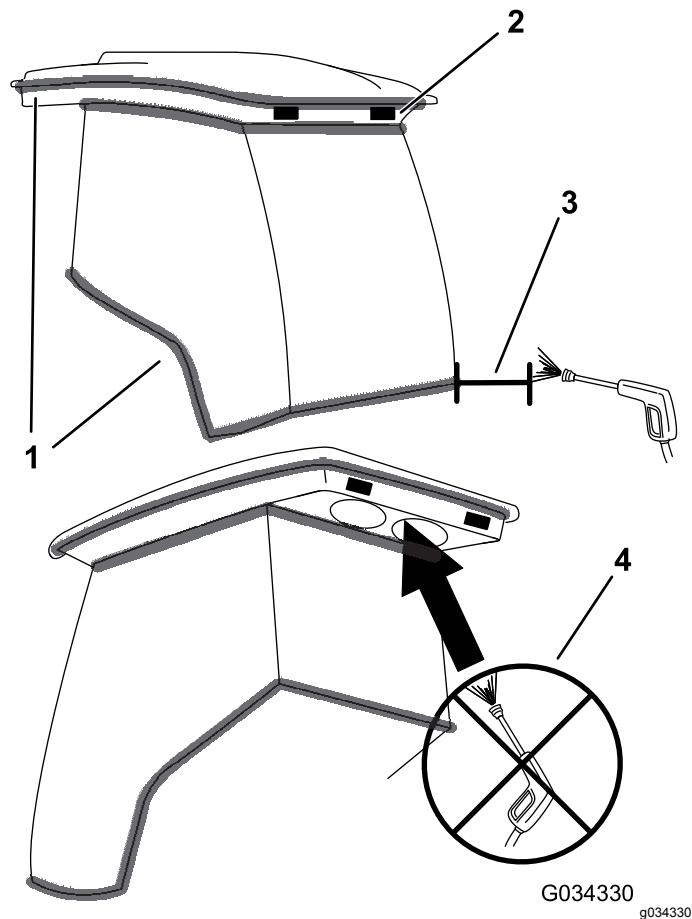


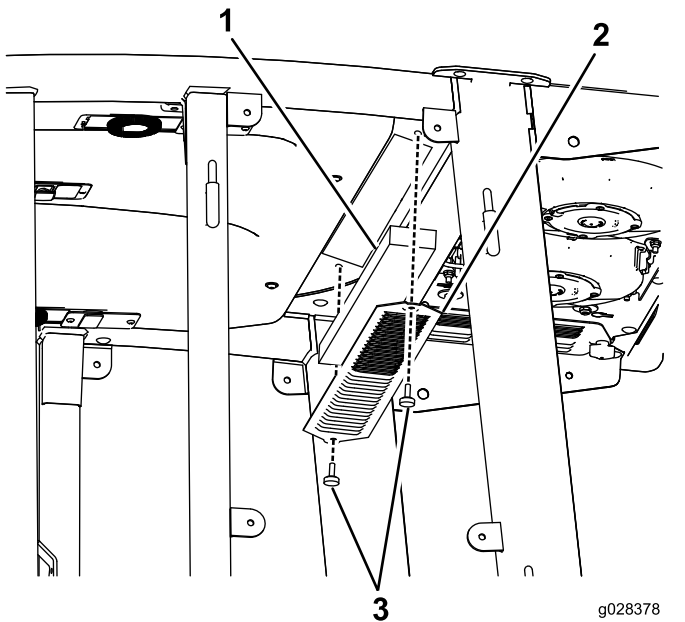
Figure 141

1. Seal
2. Light
3. Keep wand 0.6 m (2 ft) away.
4. Do not pressure-wash under the rear overhang.

## Cleaning the Cab Air Filters

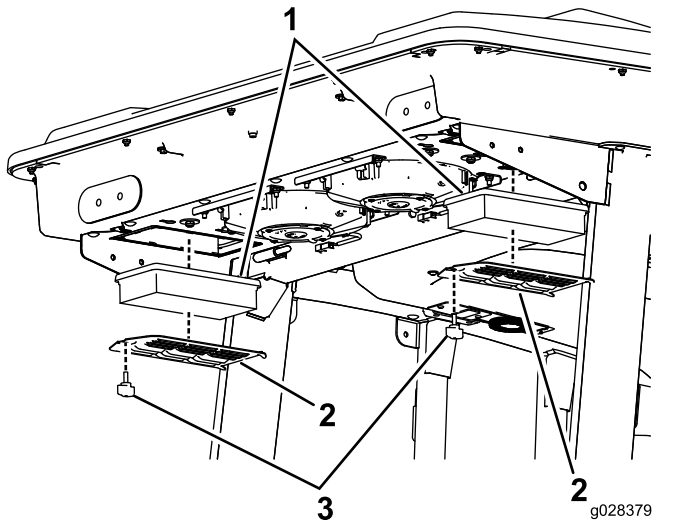
**Service Interval:** Every 250 hours

1. Remove the screws and grates from both the in-cab and rear cab air filters (Figure 142 and Figure 143).



**Figure 142**  
In-Cab Air Filter

- 1. Filter
- 2. Grate
- 3. Screw



**Figure 143**  
Rear Cab Air Filter

- 1. Filter
- 2. Grate
- 3. Screw

## Cleaning the Cab Pre-Filter

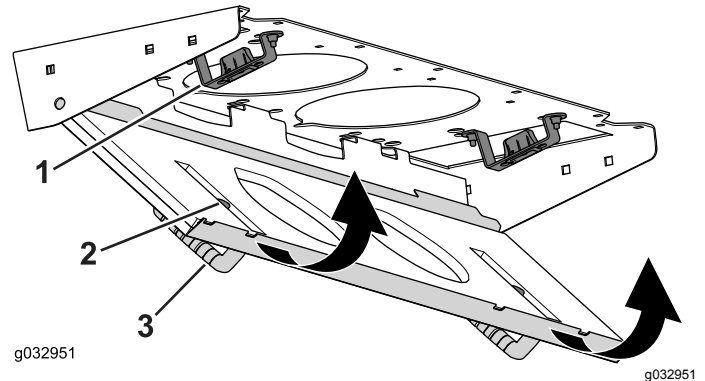
The cab pre-filter prevents large debris, such as grass and leaves, from entering the cab filters.

1. Rotate the screen cover down.
2. Clean the filter with water.

**Important:** Do not use a pressure washer.

**Note:** If the filter has a hole, tear, or other damage, replace the filter.

3. Allow the pre-filter to dry before installing it into the machine.
4. Rotate the filter screen around the tabs until the latch locks into the latch-mount assembly ([Figure 144](#)).



**Figure 144**

- 1. Latch-mount assembly
- 2. Latch
- 3. Screen cover

## Cleaning the Air-Conditioning Assembly

**Service Interval:** Every 250 hours (more frequently in extremely dusty or dirty conditions).

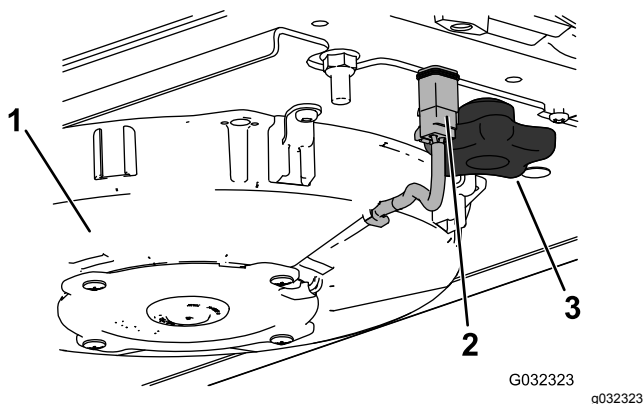
1. Perform the pre-maintenance procedure; refer to [Pre-Maintenance Procedures \(page 61\)](#).
2. Disconnect the wire for each fan.

2. Clean the filters by blowing clean, oil-free, compressed air through them.

**Important:** If either filter has a hole, tear, or other damage, replace the filter.

3. Install the filters and the grate with the thumbscrews.

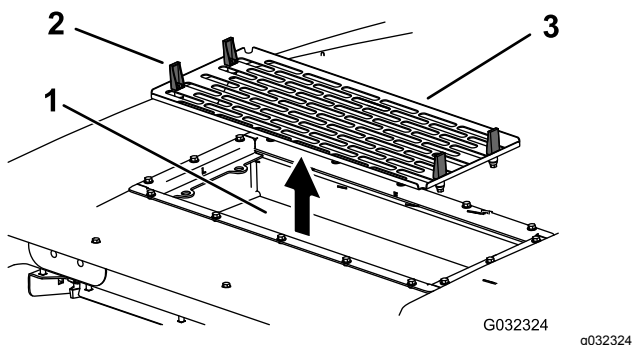




**Figure 145**  
Right fan shown

- 1. Fan
- 2. Wire
- 3. Knob

- 3. Remove the 2 knobs and remove the fan assembly.
- 4. Open the 4 latches on the air-conditioning assembly and remove the screen.



**Figure 146**

- 1. Air-conditioning coil
- 2. Latch
- 3. Air-conditioning screen

- 5. Remove the air filters (see [Figure 143](#)).
- 6. Clean the air-conditioning assembly.
- 7. Install the air filters, screen, and fan assembly ([Figure 143](#), [Figure 145](#), and [Figure 146](#)).
- 8. Connect the wire for each fan ([Figure 145](#)).

# Storage

## Preparing the Machine for Storage

### Preparing the Traction Unit

1. Thoroughly clean the traction unit, mower decks, and the engine.

**Important:** Do not use high-pressure water near the Info Center or engine-control unit (ECU), as this may cause damage.

2. Check the tire pressure; refer to [Checking the Tire Pressure \(page 28\)](#).
3. Check all fasteners for looseness; tighten as necessary.
4. Grease or oil all grease fittings and pivot points and wipe up any excess lubricant; refer to [Lubrication \(page 63\)](#).
5. Lightly sand and use touch-up paint on painted areas that are scratched, chipped, or rusted, and repair any dents in the metal body.
6. Service the battery and cables as follows:
  - A. Remove the battery terminals from the battery posts.
  - B. Clean the battery, terminals, and posts with a wire brush and baking-soda solution.
  - C. Coat the cable terminals and battery posts with Grafo 112X skin-over grease (Toro Part No. 505-47) or petroleum jelly to prevent corrosion.
  - D. Slowly charge the battery every 60 days for 24 hours to prevent lead sulfation of the battery.

### Preparing the Engine

1. Drain the engine oil from the oil pan and install the drain plug.
2. Remove and install a new oil filter.
3. Fill engine with 10.4 L (11 US qt) of SAE 15W-40 CJ-4 motor oil.
4. Start the engine and run it at idle speed for approximately 2 minutes.
5. Remove the key and shut off the fuel (if equipped) before storing or transporting the machine.
6. Flush the fuel tank with fresh, clean fuel.
7. Secure all of the fuel-system fittings.
8. Thoroughly clean and service the air-cleaner assembly.

9. Seal the air-cleaner inlet and the exhaust outlet with weatherproof tape.
10. Check the anti-freeze protection and add a 50/50 solution of water and ethylene glycol anti-freeze as needed for the expected minimum temperature in your area.

**Notes:**

**Notes:**

**Notes:**

## EEA/UK Privacy Notice

### **Toro's Use of Your Personal Information**

The Toro Company ("Toro") respects your privacy. When you purchase our products, we may collect certain personal information about you, either directly from you or through your local Toro company or dealer. Toro uses this information to fulfil contractual obligations - such as to register your warranty, process your warranty claim or to contact you in the event of a product recall - and for legitimate business purposes - such as to gauge customer satisfaction, improve our products or provide you with product information which may be of interest. Toro may share your information with our subsidiaries, affiliates, dealers or other business partners in connection these activities. We may also disclose personal information when required by law or in connection with the sale, purchase or merger of a business. We will never sell your personal information to any other company for marketing purposes.

### **Retention of your Personal Information**

Toro will keep your personal information as long as it is relevant for the above purposes and in accordance with legal requirements. For more information about applicable retention periods please contact [legal@toro.com](mailto:legal@toro.com).

### **Toro's Commitment to Security**

Your personal information may be processed in the US or another country which may have less strict data protection laws than your country of residence. Whenever we transfer your information outside of your country of residence, we will take legally required steps to ensure that appropriate safeguards are in place to protect your information and to make sure it is treated securely.

### **Access and Correction**

You may have the right to correct or review your personal data, or object to or restrict the processing of your data. To do so, please contact us by email at [legal@toro.com](mailto:legal@toro.com). If you have concerns about the way in which Toro has handled your information, we encourage you to raise this directly with us. Please note that European residents have the right to complain to your Data Protection Authority.

# California Proposition 65 Warning Information

## What is this warning?

You may see a product for sale that has a warning label like the following:



**WARNING: Cancer and Reproductive Harm—[www.p65Warnings.ca.gov](http://www.p65Warnings.ca.gov).**

## What is Prop 65?

Prop 65 applies to any company operating in California, selling products in California, or manufacturing products that may be sold in or brought into California. It mandates that the Governor of California maintain and publish a list of chemicals known to cause cancer, birth defects, and/or other reproductive harm. The list, which is updated annually, includes hundreds of chemicals found in many everyday items. The purpose of Prop 65 is to inform the public about exposure to these chemicals.

Prop 65 does not ban the sale of products containing these chemicals but instead requires warnings on any product, product packaging, or literature with the product. Moreover, a Prop 65 warning does not mean that a product is in violation of any product safety standards or requirements. In fact, the California government has clarified that a Prop 65 warning "is not the same as a regulatory decision that a product is 'safe' or 'unsafe.'" Many of these chemicals have been used in everyday products for years without documented harm. For more information, go to <https://oag.ca.gov/prop65/faqs-view-all>.

A Prop 65 warning means that a company has either (1) evaluated the exposure and has concluded that it exceeds the "no significant risk level"; or (2) has chosen to provide a warning based on its understanding about the presence of a listed chemical without attempting to evaluate the exposure.

## Does this law apply everywhere?

Prop 65 warnings are required under California law only. These warnings are seen throughout California in a wide range of settings, including but not limited to restaurants, grocery stores, hotels, schools, and hospitals, and on a wide variety of products. Additionally, some online and mail order retailers provide Prop 65 warnings on their websites or in catalogs.

## How do the California warnings compare to federal limits?

Prop 65 standards are often more stringent than federal and international standards. There are various substances that require a Prop 65 warning at levels that are far lower than federal action limits. For example, the Prop 65 standard for warnings for lead is 0.5 µg/day, which is well below the federal and international standards.

## Why don't all similar products carry the warning?

- Products sold in California require Prop 65 labelling while similar products sold elsewhere do not.
- A company involved in a Prop 65 lawsuit reaching a settlement may be required to use Prop 65 warnings for its products, but other companies making similar products may have no such requirement.
- The enforcement of Prop 65 is inconsistent.
- Companies may elect not to provide warnings because they conclude that they are not required to do so under Prop 65; a lack of warnings for a product does not mean that the product is free of listed chemicals at similar levels.

## Why does Toro include this warning?

Toro has chosen to provide consumer with as much information as possible so that they can make informed decisions about the products they buy and use. Toro provides warnings in certain cases based on its knowledge of the presence of one or more listed chemicals without evaluating the level of exposure, as not all the listed chemical provide exposure limit requirements. While the exposure from Toro products may be negligible or well within the "no significant risk" range, out of an abundance of caution, Toro has elected to provide the Prop 65 warnings. Moreover, if Toro does not provide these warnings, it could be sued by the State of California or by private parties seeking to enforce Prop 65 and subject to substantial penalties.



# The Toro Warranty

## A Two-Year Limited Warranty

### Conditions and Products Covered

The Toro Company and its affiliate, Toro Warranty Company, pursuant to an agreement between them, jointly warrant your Toro Commercial product ("Product") to be free from defects in materials or workmanship for two years or 1500 operational hours\*, whichever occurs first. This warranty is applicable to all products with the exception of Aerators (refer to separate warranty statements for these products). Where a warrantable condition exists, we will repair the Product at no cost to you including diagnostics, labor, parts, and transportation. This warranty begins on the date the Product is delivered to the original retail purchaser.

\* Product equipped with an hour meter.

### Instructions for Obtaining Warranty Service

You are responsible for notifying the Commercial Products Distributor or Authorized Commercial Products Dealer from whom you purchased the Product as soon as you believe a warrantable condition exists. If you need help locating a Commercial Products Distributor or Authorized Dealer, or if you have questions regarding your warranty rights or responsibilities, you may contact us at:

Toro Commercial Products Service Department  
Toro Warranty Company  
8111 Lyndale Avenue South  
Bloomington, MN 55420-1196  
952-888-8801 or 800-952-2740  
E-mail: commercial.warranty@toro.com

### Owner Responsibilities

As the Product owner, you are responsible for required maintenance and adjustments stated in your *Operator's Manual*. Failure to perform required maintenance and adjustments can be grounds for disallowing a warranty claim.

### Items and Conditions Not Covered

Not all product failures or malfunctions that occur during the warranty period are defects in materials or workmanship. This warranty does not cover the following:

- Product failures which result from the use of non-Toro replacement parts, or from installation and use of add-on, or modified non-Toro branded accessories and products. A separate warranty may be provided by the manufacturer of these items.
- Product failures which result from failure to perform recommended maintenance and/or adjustments. Failure to properly maintain your Toro product per the Recommended Maintenance listed in the *Operator's Manual* can result in claims for warranty being denied.
- Product failures which result from operating the Product in an abusive, negligent, or reckless manner.
- Parts subject to consumption through use unless found to be defective. Examples of parts which are consumed, or used up, during normal Product operation include, but are not limited to, brake pads and linings, clutch linings, blades, reels, rollers and bearings (sealed or greasable), bed knives, spark plugs, castor wheels and bearings, tires, filters, belts, and certain sprayer components such as diaphragms, nozzles, and check valves, etc.
- Failures caused by outside influence. Conditions considered to be outside influence include, but are not limited to, weather, storage practices, contamination, use of unapproved fuels, coolants, lubricants, additives, fertilizers, water, or chemicals, etc.
- Failure or performance issues due to the use of fuels (e.g. gasoline, diesel, or biodiesel) that do not conform to their respective industry standards.

### Countries Other than the United States or Canada

Customers who have purchased Toro products exported from the United States or Canada should contact their Toro Distributor (Dealer) to obtain guarantee policies for your country, province, or state. If for any reason you are dissatisfied with your Distributor's service or have difficulty obtaining guarantee information, contact the Toro importer.

- Normal noise, vibration, wear and tear, and deterioration.
- Normal "wear and tear" includes, but is not limited to, damage to seats due to wear or abrasion, worn painted surfaces, scratched decals or windows, etc.

### Parts

Parts scheduled for replacement as required maintenance are warranted for the period of time up to the scheduled replacement time for that part. Parts replaced under this warranty are covered for the duration of the original product warranty and become the property of Toro. Toro will make the final decision whether to repair any existing part or assembly or replace it. Toro may use remanufactured parts for warranty repairs.

### Deep Cycle and Lithium-Ion Battery Warranty:

Deep cycle and Lithium-Ion batteries have a specified total number of kilowatt-hours they can deliver during their lifetime. Operating, recharging, and maintenance techniques can extend or reduce total battery life. As the batteries in this product are consumed, the amount of useful work between charging intervals will slowly decrease until the battery is completely worn out. Replacement of worn out batteries, due to normal consumption, is the responsibility of the product owner. Battery replacement may be required during the normal product warranty period at owner's expense. Note: (Lithium-Ion battery only): A Lithium-Ion battery has a part only prorated warranty beginning year 3 through year 5 based on the time in service and kilowatt hours used. Refer to the *Operator's Manual* for additional information.

### Maintenance is at Owner's Expense

Engine tune-up, lubrication, cleaning and polishing, replacement of filters, coolant, and completing recommended maintenance are some of the normal services Toro products require that are at the owner's expense.

### General Conditions

Repair by an Authorized Toro Distributor or Dealer is your sole remedy under this warranty.

**Neither The Toro Company nor Toro Warranty Company is liable for indirect, incidental or consequential damages in connection with the use of the Toro Products covered by this warranty, including any cost or expense of providing substitute equipment or service during reasonable periods of malfunction or non-use pending completion of repairs under this warranty. Except for the Emissions warranty referenced below, if applicable, there is no other express warranty. All implied warranties of merchantability and fitness for use are limited to the duration of this express warranty.**

Some states do not allow exclusions of incidental or consequential damages, or limitations on how long an implied warranty lasts, so the above exclusions and limitations may not apply to you. This warranty gives you specific legal rights, and you may also have other rights which vary from state to state.

### Note regarding engine warranty:

The Emissions Control System on your Product may be covered by a separate warranty meeting requirements established by the U.S. Environmental Protection Agency (EPA) and/or the California Air Resources Board (CARB). The hour limitations set forth above do not apply to the Emissions Control System Warranty. Refer to the Engine Emission Control Warranty Statement supplied with your product or contained in the engine manufacturer's documentation for details