



Count on it.

Parts Catalog

TX 1000 Compact Utility Loader

Model No. 22327—Serial No. 315000001 and Up

Model No. 22327G—Serial No. 315000001 and Up



Ordering Replacement Parts

To order replacement parts, please supply the part number, the quantity, and the description of each part desired.

Understanding Reference Numbers

Each identified part in an illustration has a reference number. The reference number for a part also appears in the parts list, along with other information about the part.

This catalog uses two special reference number formats, one to indicate parts in a service assembly and another to indicate the quantity of a given part in an illustration.

Service Assembly Reference Numbers

Parts in service assemblies have reference numbers in the form a:b. The a represents the reference number of the entire service assembly and the b represents a sequential number unique to each part within the service assembly.

For example, a wheel assembly might be identified by reference number 6, the tire by 6:1, the valve by 6:2, and the wheel by 6:3. When you order the assembly identified by reference number 6, you receive all parts identified by reference numbers 6:1, 6:2, and 6:3. However, you may also order any part individually. Reference numbers of this type appear in illustration and in parts lists.

Reference Numbers Indicating Quantity

In an illustration, if a reference number indicates more than one part, the reference number has the form nX y. The n represents the quantity of the part, the X is the multiplication symbol, and the y represents the reference number.

For example, in an illustration, the reference number 2X 37 means that two of the parts identified by reference number 37 are indicated.

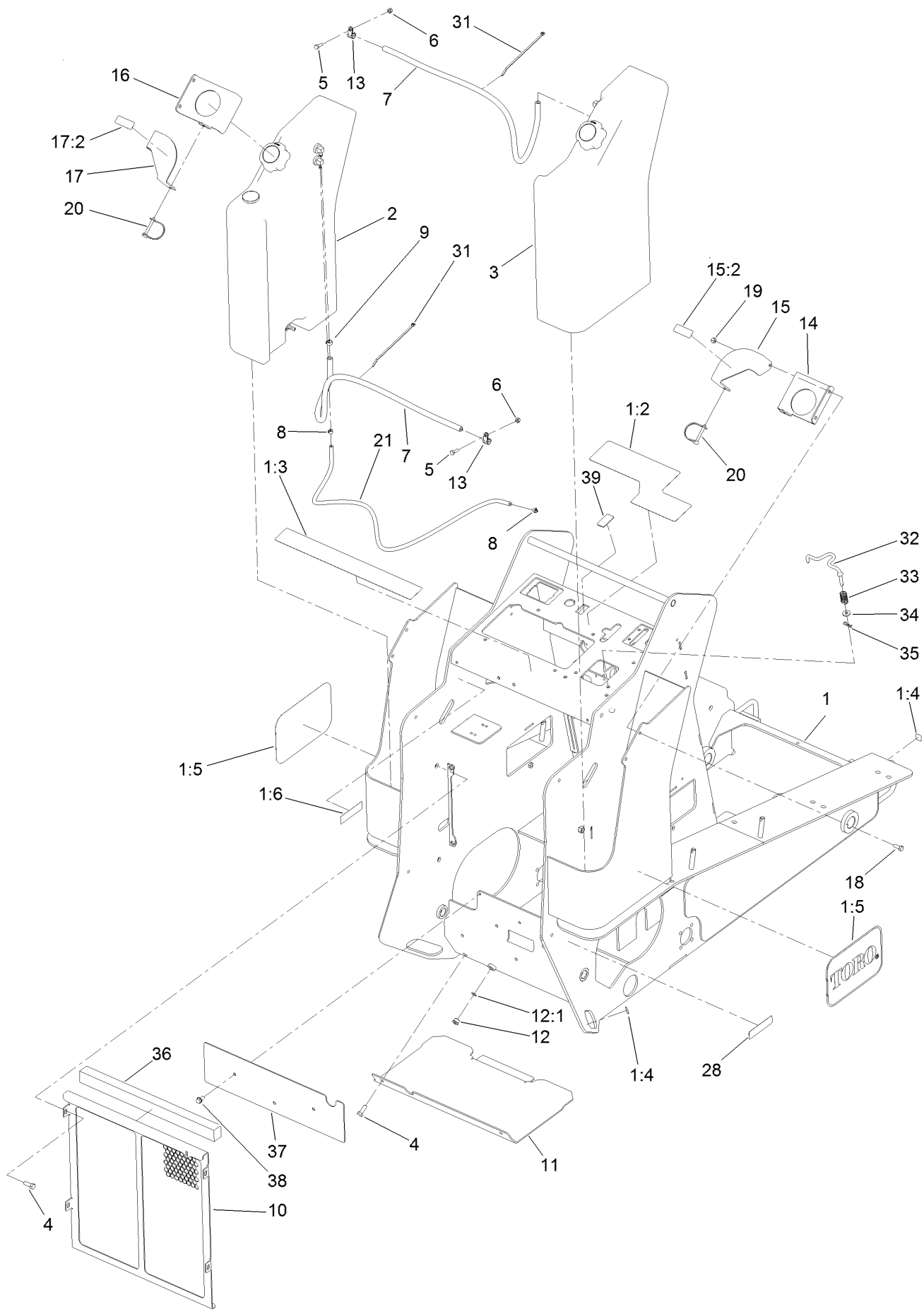
Contents

| | |
|--|----|
| Frame, Fuel Tank and Cover Assembly | 6 |
| LH Fuel Tank Assembly No. 130-1026 | 8 |
| RH Fuel Tank Assembly No. 130-1027 | 10 |
| Hydraulic Tank and Track Shaft Assembly | 12 |
| Track Assembly, Lug-Driven | 14 |
| Hydraulic Motor Assembly No. 130-7729 | 16 |
| Track Assembly, Sprocket-Driven, LH No. 138-0794 | 18 |
| Hydraulic Motor Assembly No. 138-0761 | 20 |
| Track Assembly, Sprocket-Driven, RH No. 138-0795 | 22 |
| Hydraulic Motor Assembly No. 138-0778 | 24 |
| Brake Assembly | 26 |
| Front Tower Assembly | 28 |
| Hydraulic Hose Assembly | 30 |
| Radiator and Air Cleaner Assembly | 32 |
| Air Cleaner Assembly No. 93-2190 | 34 |
| Engine Mount and Muffler Assembly | 36 |
| Tandem Pump and Gear Pump Assembly | 38 |
| Gear Pump Assembly No. 130-7731 | 40 |
| Control Valve and Reference Bar Assembly | 42 |
| Control Valve Assembly No. 125-3704 | 44 |
| 2-Spool Valve and Auxiliary Valve Assembly | 46 |
| 2-Spool Valve Assembly No. 130-7710 | 48 |
| Auxiliary Valve Assembly No. 130-7562 | 50 |
| Loader Arm Assembly | 52 |
| Hydraulic Cylinder Assembly No. 130-5176 | 54 |
| Hydraulic Cylinder Assembly No. 130-5175 | 56 |
| Hydraulic Cylinder Assembly No. 130-5195 | 58 |
| Loader Hydraulic Assembly | 60 |
| Quick Attach Assembly | 62 |
| Front Cover and Side Panel Assembly | 64 |
| Hood Assembly | 66 |
| Manual Tube Assembly | 68 |
| Platform and Cushion Assembly | 70 |
| Electrical Assembly | 72 |
| Crankcase Assembly | 74 |
| Oil Pan Assembly | 75 |
| Cylinder Head Assembly | 76 |
| Gear Case Assembly | 77 |
| Cylinder Head Cover Assembly | 78 |
| Dipstick and Guide Assembly | 79 |
| Main Bearing Case Assembly | 80 |
| Camshaft and Idle Gear Shaft Assembly | 81 |
| Piston and Crankshaft Assembly | 82 |
| Flywheel Assembly | 83 |
| Fuel Camshaft and Governor Shaft Assembly | 84 |
| Idle Apparatus Assembly | 85 |
| Stop Solenoid Assembly | 86 |
| Injection Pump Assembly | 87 |
| Governor Assembly | 88 |
| Speed Control Plate Assembly | 89 |
| Nozzle Holder and Glow Plug Assembly | 90 |
| Nozzle Holder Assembly | 91 |
| Alternator and Pulley Assembly | 92 |
| Alternator Components Assembly | 93 |

Contents (continued)

| | |
|--|-----|
| Starter Installation Assembly | 94 |
| Starter Component Assembly | 95 |
| Water Flange and Thermostat Assembly | 96 |
| Water Pump Assembly | 97 |
| Valve and Rocker Arm Assembly | 98 |
| Inlet and Exhaust Manifold Assembly | 99 |
| Accessories and Service Parts | 100 |
| Upper Gasket Kit | 101 |
| Lower Gasket Kit | 102 |
| Attachments and Accessories | 103 |

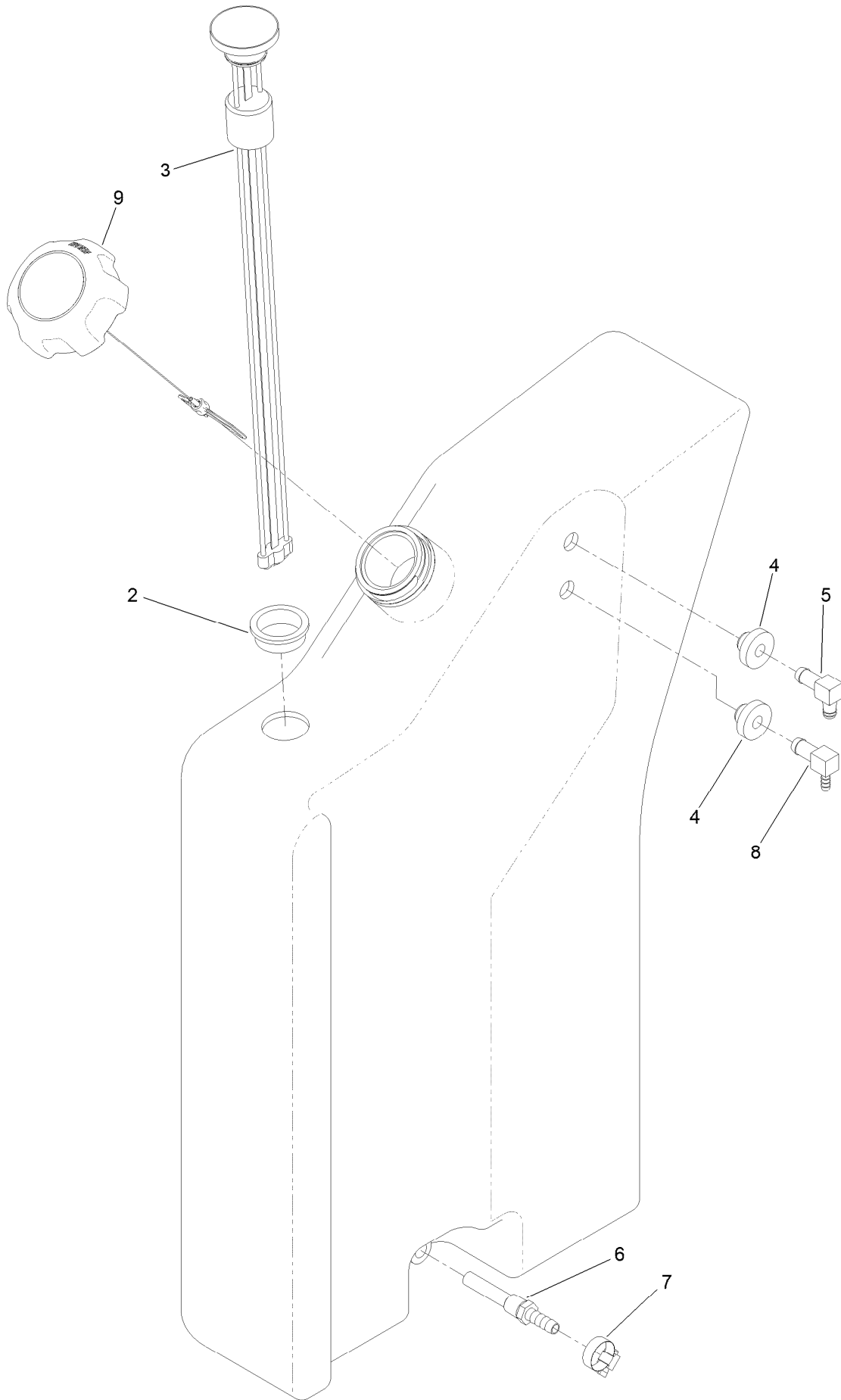
Frame, Fuel Tank and Cover Assembly



Frame, Fuel Tank and Cover Assembly (continued)

| <i>Ref.</i> | <i>Part Number</i> | <i>Qty.</i> | <i>Description</i> | <i>Ref.</i> | <i>Part Number</i> | <i>Qty.</i> | <i>Description</i> |
|-------------|--------------------|-------------|----------------------|-------------|--------------------|-------------|--------------------------|
| 1 | 130-5314 | 1 | Frame | 15 | 130-5317 | 1 | Plate-Lock, Fuel Cap, RH |
| 1:2 | 131-0707 | 1 | Decal-Control Panel | 15:2 | 93-6680 | 1 | Decal-Diesel |
| 1:3 | 131-0710 | 1 | Decal-Safety | 16 | 130-1134-03 | 1 | Plate-Hold Down, LH |
| 1:4 | 93-9084 | 4 | Decal-Point, Lift | 17 | 130-5316 | 1 | Plate-Lock, Fuel Cap, LH |
| 1:5 | 66-6140 | 2 | Decal | 17:2 | 93-6680 | 1 | Decal-Diesel |
| 1:6 | 115-4865 | 1 | Decal-Fill, Radiator | 18 | 322-4 | 4 | Screw-HH |
| 2 | 130-1026 | 1 | LH Fuel Tank ASM | 19 | 3296-29 | 4 | Nut-Lock, NI |
| 3 | 130-1027 | 1 | RH Fuel Tank ASM | 20 | 100-1663 | 2 | Pin-Hitch |
| 4 | 323-6 | 6 | Screw-HH | 21 | 130-7714 | 1 | Hose-Fuel |
| 5 | 321-5 | 2 | Screw-HH | 28 | 117-2718 | 1 | Decal-Arrester, Spark |
| 6 | 3296-42 | 2 | Nut-Lock, NI | 31 | 3290-378 | 2 | Tie-Cable |
| 7 | 110-6186 | 2 | Hose-Fuel | 32 | 131-0713 | 1 | Rod-Interlock |
| 8 | 2412-80 | 2 | Clamp-Hose | 33 | 85-6750 | 1 | Spring-Control |
| 9 | 92-2379 | 2 | Clamp-Hose | 34 | 88-7200 | 1 | Washer-Flat |
| 10 | 130-0964-03 | 1 | Radiator Cover ASM | 35 | 3290-307 | 1 | Pin-Cotter |
| 11 | 130-0995-01 | 1 | Cover-Bottom | 36 | 131-9175 | 1 | Seal-Foam |
| 12 | 353-989 | 1 | Plug-Hex, Hollow | 37 | 131-9209-01 | 1 | Plate-Cover |
| 12:1 | 237-42 | 1 | O-Ring | 38 | 32144-14 | 3 | Screw-HWHTF |
| 13 | 2412-134 | 2 | Clamp-R | 39 | AU382892A1 | 1 | Blank-Switch, Rocker |
| 14 | 130-1104-03 | 1 | Plate-Hold Down, RH | | | | |

LH Fuel Tank Assembly No. 130-1026

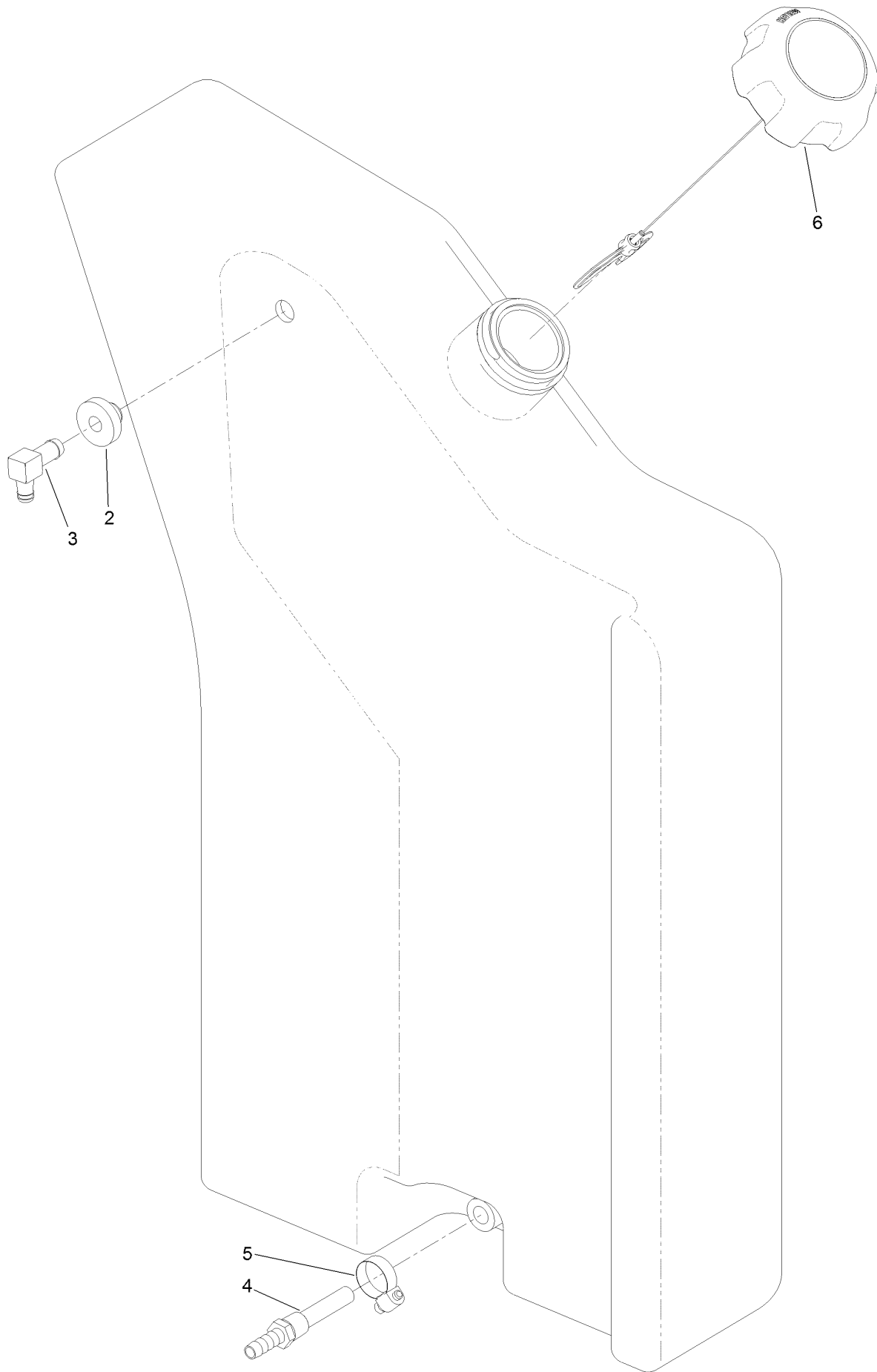


LH Fuel Tank Assembly No. 130-1026 (continued)

| <i>Ref.</i> | <i>Part Number</i> | <i>Qty.</i> | <i>Description</i> |
|-------------|--------------------|-------------|--------------------|
| 2 | 95-8972 | 1 | Grommet |
| 3 | 104-5603 | 1 | Gauge-Level, Fuel |
| 4 | 46-6560 | 2 | Bushing |
| 5 | 1-643259 | 1 | Fitting-Elbow |

| <i>Ref.</i> | <i>Part Number</i> | <i>Qty.</i> | <i>Description</i> |
|-------------|--------------------|-------------|-----------------------|
| 6 | 112-6374 | 1 | Fitting-Strainer |
| 7 | 2412-36 | 1 | Clamp-Hose |
| 8 | 104-5228 | 1 | Fitting-Elbow, 90 DEG |
| 9 | 130-7567 | 1 | Cap-Diesel, |

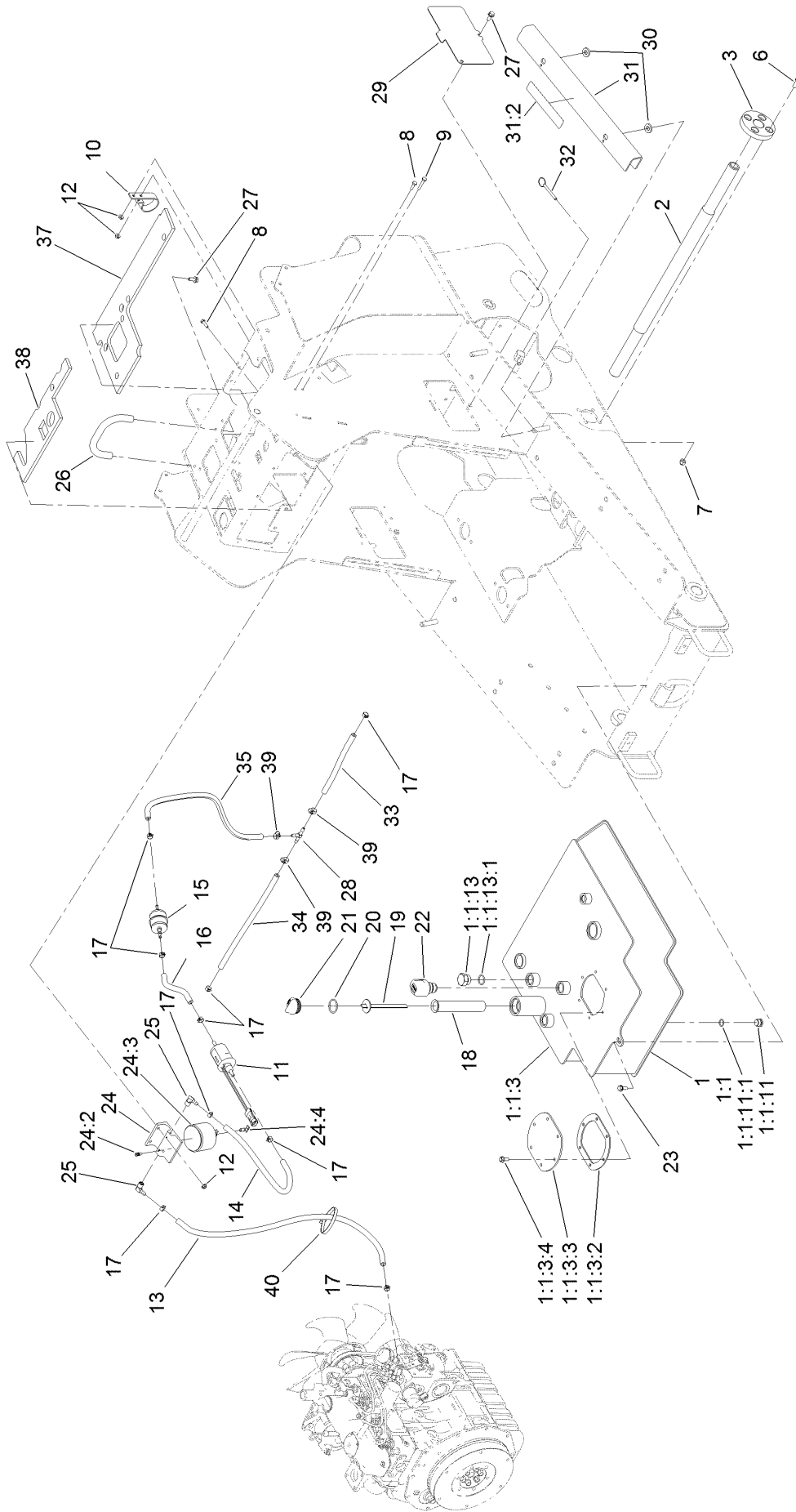
RH Fuel Tank Assembly No. 130-1027



RH Fuel Tank Assembly No. 130-1027 (continued)

| <i>Ref.</i> | <i>Part Number</i> | <i>Qty.</i> | <i>Description</i> | <i>Ref.</i> | <i>Part Number</i> | <i>Qty.</i> | <i>Description</i> |
|-------------|--------------------|-------------|--------------------|-------------|--------------------|-------------|--------------------|
| 2 | 46-6560 | 1 | Bushing | 5 | 2412-36 | 1 | Clamp-Hose |
| 3 | 1-643259 | 1 | Fitting-Elbow | 6 | 130-7567 | 1 | Cap-Diesel, |
| 4 | 112-6374 | 1 | Fitting-Strainer | | | | |

Hydraulic Tank and Track Shaft Assembly

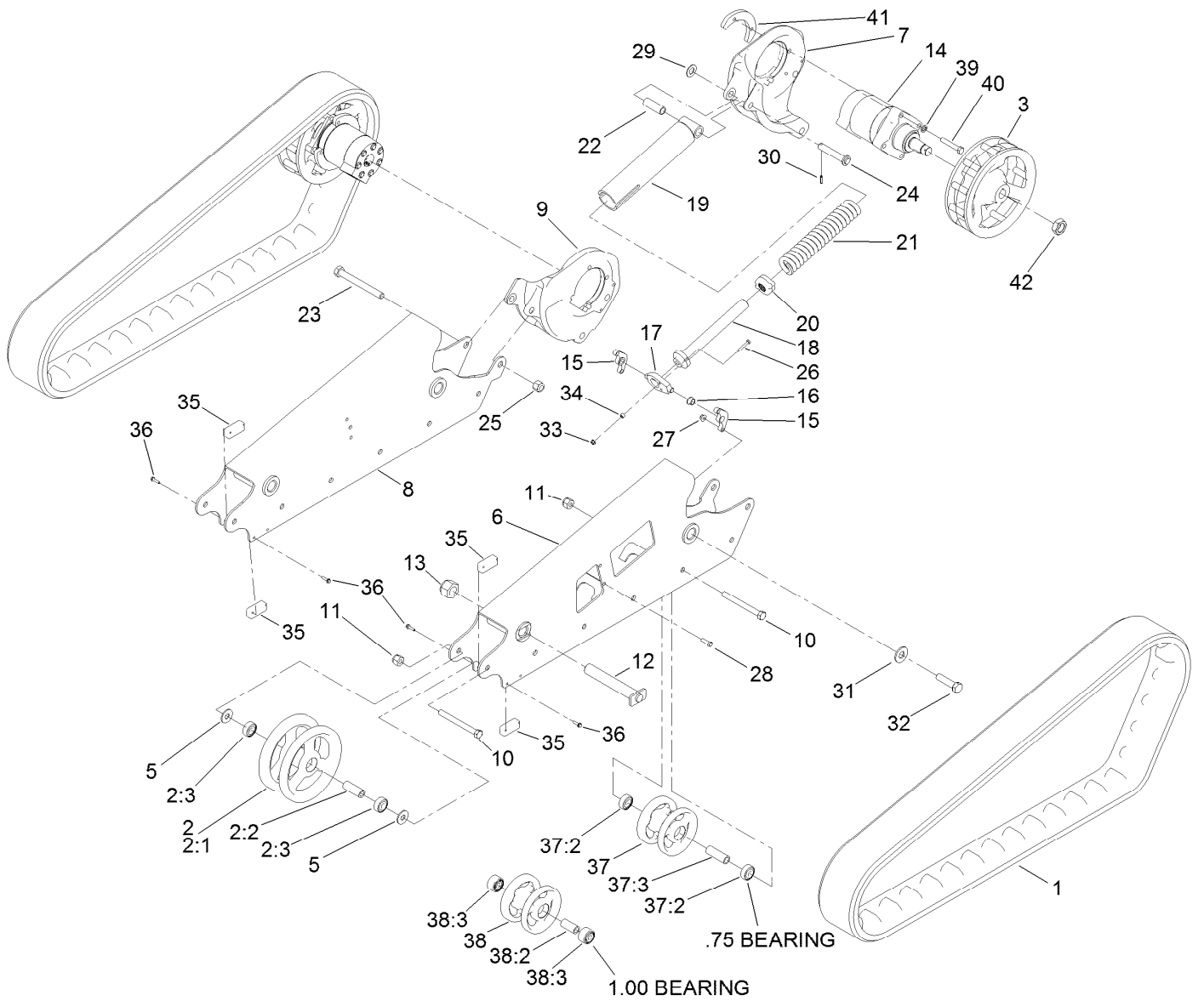


Hydraulic Tank and Track Shaft Assembly (continued)

| <i>Ref.</i> | <i>Part Number</i> | <i>Qty.</i> | <i>Description</i> | <i>Ref.</i> | <i>Part Number</i> | <i>Qty.</i> | <i>Description</i> |
|-------------|--------------------|-------------|----------------------|-------------|--------------------|-------------|-------------------------|
| 1 | 125-0404-03 | 1 | HYD Tank ASM | 19 | 130-7686 | 1 | Dipstick |
| 1:1 | | 1 | Tank-HYD ● | 20 | 237-123 | 1 | O-Ring |
| 1:1:3 | | 1 | Tank Top ASM ● | 21 | 93-7498 | 1 | Plug-Plastic |
| 1:1:3:2 | 107-3557 | 1 | Gasket-Cover, Access | 22 | 115-9793 | 1 | Breather |
| 1:1:3:3 | 108-6297 | 1 | Cover-Tank | 23 | 32144-11 | 1 | Screw-Thd Roll, HWH |
| 1:1:3:4 | 98-9940 | 6 | Screw-HHF | 24 | 109-2678 | 1 | Filter Head ASM |
| 1:1:11 | 353-988 | 1 | Plug-Hex | 24:2 | 63-8290 | 1 | Vent-Air |
| 1:1:11:1 | 237-79 | 1 | O-Ring | 24:3 | 109-3117 | 1 | Filter-Separator, Water |
| 1:1:13 | 354-74 | 1 | Plug-HH | 24:4 | 63-8310 | 1 | Valve-Drain |
| 1:1:13:1 | 237-81 | 1 | O-Ring | 25 | 353-781 | 2 | Fitting-HYD, 90 |
| 2 | 125-0425 | 1 | Shaft-Track | 26 | 112-2620 | 1 | Bar-Reference |
| 3 | 125-0339 | 2 | Hub-Shaft | 27 | 3234-5 | 4 | Screw-HHF |
| 6 | 323-6 | 8 | Screw-HH | 28 | 99-5005 | 1 | Fitting-Tee, Barbed |
| 7 | 3296-39 | 8 | Nut-Lock, NI | 29 | 130-1036-01 | 2 | Plate-Cover, Access |
| 8 | 321-5 | 3 | Screw-HH | 30 | 83-1470 | 4 | Washer-Neoprene |
| 9 | 321-9 | 1 | Screw-HH | 31 | 130-5315 | 2 | Arm-Locking |
| 10 | 110-8817 | 1 | Bracket-Pump, Fuel | 31:2 | 115-4858 | 1 | Decal-Danger |
| 11 | 110-8806 | 1 | Pump-Fuel | 32 | 108-0094 | 4 | Pin-Cotterless |
| 12 | 32128-33 | 4 | Nut-HF | 33 | 110-4107 | 1 | Hose-Fuel |
| 13 | 110-6186 | 1 | Hose-Fuel | 34 | 110-4101 | 1 | Hose-Fuel |
| 14 | 114-4028 | 1 | Hose-Fuel | 35 | 108-3284 | 1 | Hose-Fuel |
| 15 | 112-7836 | 1 | Filter-Inline | 37 | 132-8416 | 1 | Foam-Heat Shield |
| 16 | 108-3280 | 1 | Hose-Fuel | 38 | 132-8417 | 1 | Foam-Heat Shield |
| 17 | 92-2379 | 9 | Clamp-Hose | 39 | 2412-108 | 3 | Clamp-Worm |
| 18 | 61-2790 | 1 | Filter-Screen | 40 | 3334-945 | 1 | Tie-Cable |

● Not serviced separately

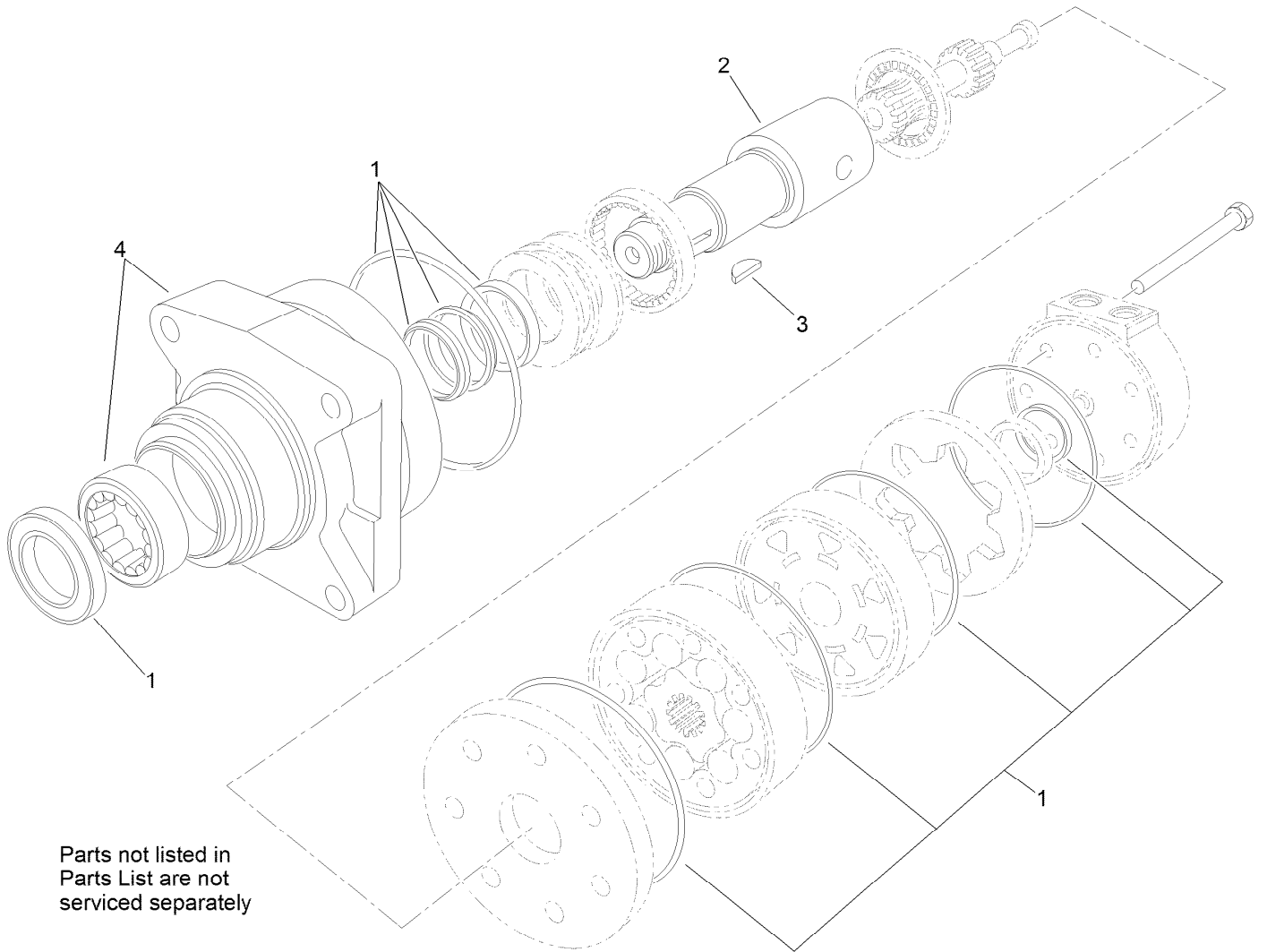
Track Assembly, Lug-Driven



Track Assembly, Lug-Driven (continued)

| <i>Ref.</i> | <i>Part Number</i> | <i>Qty.</i> | <i>Description</i> | <i>Ref.</i> | <i>Part Number</i> | <i>Qty.</i> | <i>Description</i> |
|-------------|--------------------|-------------|-------------------------|-------------|--------------------|-------------|-----------------------------------|
| 1 | 121-4592 | 2 | Track-Narrow | 24 | 130-1057 | 2 | Pin-Tensioner |
| 2 | 104-5745 | 2 | Tensioner Wheel ASM | 25 | 120-7252 | 2 | Nut-Lock |
| 2:1 | 104-5747-03 | 1 | Wheel-Tensioner | 26 | 321-10 | 2 | Screw-HH |
| 2:2 | 98-9835 | 1 | Spacer-Wheel, Tensioner | 27 | 104-8301 | 8 | Nut-HF, NI |
| 2:3 | 120-5378 | 2 | Bearing-Ball | 28 | 323-7 | 8 | Screw-HH |
| 3 | 133-0215-03 | 2 | Wheel-Drive | 29 | 3256-39 | 2 | Washer-Flat |
| 5 | 3256-7 | 4 | Washer-Flat | 30 | 32121-24 | 2 | Pin-Spring |
| 6 | 125-0420-01 | 1 | Mount-Narrow Wheel, LH | 31 | 99-2659 | 2 | Washer |
| 7 | 127-9593-03 | 1 | Mount-Wheel, LH | 32 | 328-25 | 2 | Screw-HH |
| 8 | 125-0440-01 | 1 | Mount-Narrow Wheel, RH | 33 | 32128-32 | 2 | Nut-HHF |
| 9 | 127-9594-03 | 1 | Mount-Wheel, RH | 34 | 98-4799 | 2 | Spacer |
| 10 | 327-17 | 12 | Screw-HH | 35 | 131-9241 | 4 | Block-Track |
| 11 | 3296-24 | 12 | Nut-Hex | 36 | 120-4654 | 8 | Screw-HHF |
| 12 | 130-0967 | 2 | Pin-Track | 37 | 138-5231 | 10 | Road Wheel ASM (.75W Bearing) |
| 13 | 125-0399 | 2 | Nut-HH | 37:2 | 138-0547 | 2 | Bearing-Ball (.75W) |
| 14 | 130-7729 | 2 | Motor-HYD | 37:3 | 130-7564 | 1 | Spacer-Wheel |
| 15 | 127-9566-03 | 4 | Plate-Mount, Pivot | 38 | 138-1368 | 10 | Road Wheel ASM (1.00W Bearing) |
| 16 | 65-8770 | 4 | Bushing-Bellcrank | 38:2 | 138-1367 | 1 | Spacer-Wheel, Road |
| 17 | 127-9616 | 2 | Tensioner-Pivot Joint | 38:3 | 138-1369 | 2 | Bearing-Ball (1.00W) |
| 18 | 127-9563 | 2 | Bolt-Tensioner | 39 | 3253-7 | 8 | Washer-Lock |
| 19 | 127-9559-03 | 2 | Pivot-Tensioner | 40 | 115-4845 | 8 | Screw-HH, TAP |
| 20 | 108-4664 | 2 | Block-Tensioner | 41 | 127-9567-03 | 4 | Plate-Mounting |
| 21 | 95-3624 | 2 | Spring-Compression | 42 | 107-9319 | 2 | Nut-Hex |
| 22 | 127-9565 | 2 | Spacer-Pivot | | | | |
| 23 | 328-23 | 2 | Screw-HH | | | | |

Hydraulic Motor Assembly No. 130-7729



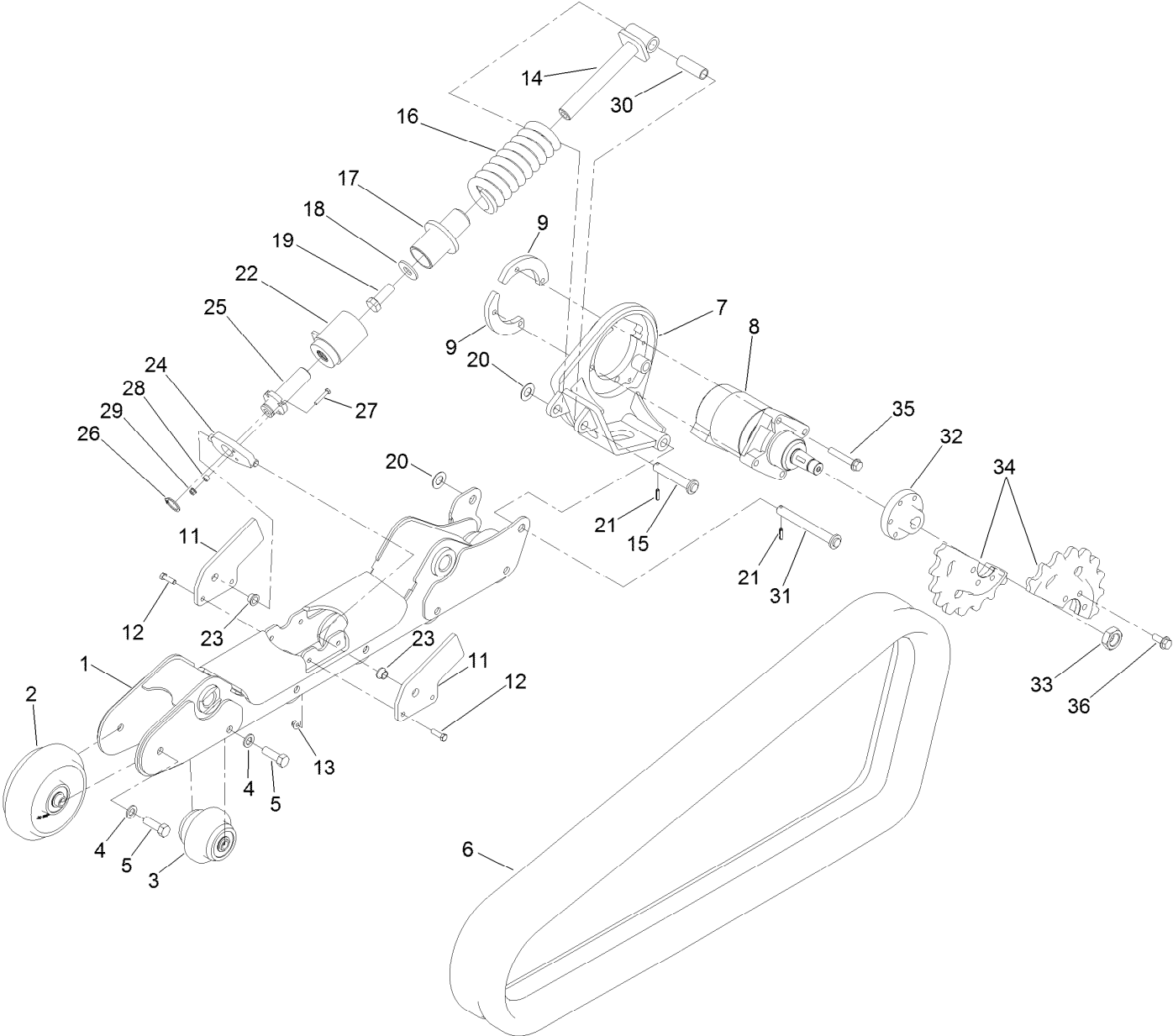
Parts not listed in
Parts List are not
serviced separately

Hydraulic Motor Assembly No. 130-7729 (continued)

| <i>Ref.</i> | <i>Part Number</i> | <i>Qty.</i> | <i>Description</i> |
|-------------|--------------------|-------------|--------------------|
| 1 | 100-6131 | 1 | Seal Kit |
| 2 | 106-7645 | 1 | Coupling-Shaft |

| <i>Ref.</i> | <i>Part Number</i> | <i>Qty.</i> | <i>Description</i> |
|-------------|--------------------|-------------|--------------------|
| 3 | 3257-42 | 1 | Key-Woodruff |
| 4 | 108-5634 | 1 | Motor Housing ASM |

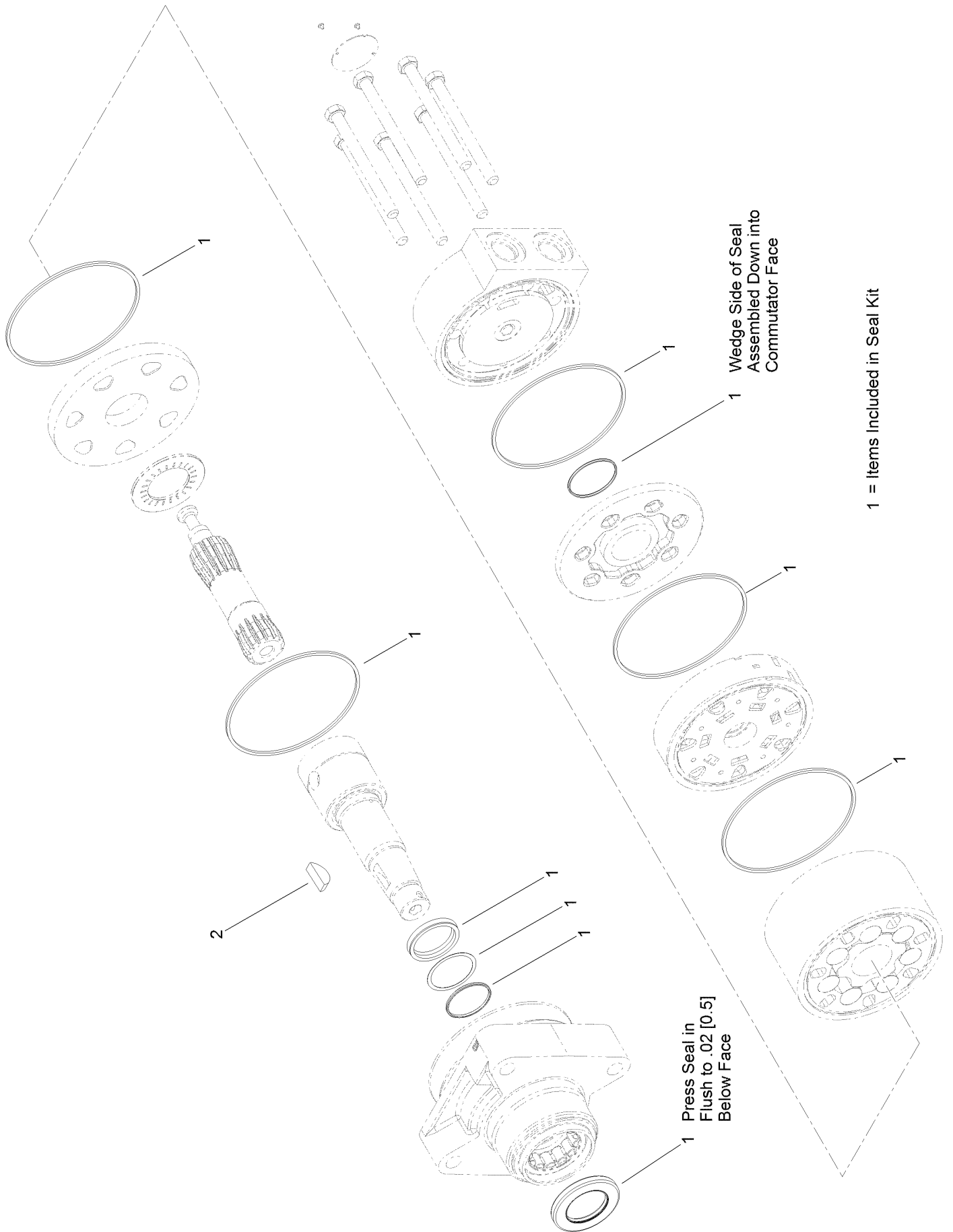
Track Assembly, Sprocket-Driven, LH No. 138-0794



Track Assembly, Sprocket-Driven, LH No. 138-0794 (continued)

| <i>Ref.</i> | <i>Part Number</i> | <i>Qty.</i> | <i>Description</i> | <i>Ref.</i> | <i>Part Number</i> | <i>Qty.</i> | <i>Description</i> |
|-------------|--------------------|-------------|-------------------------------|-------------|--------------------|-------------|--------------------------|
| 1 | 138-4658 | 1 | Frame-Track, LH | 19 | AU426-1232 | 1 | Bolt |
| 2 | 137-8807 | 1 | Tensioner Wheel ASM | 20 | 3256-39 | 2 | Washer-Flat |
| 3 | 137-8808 | 5 | Road Wheel ASM, Cassette Seal | 21 | 32121-24 | 2 | Pin-Spring |
| 4 | 33098-00 | 12 | Washer-Flat | 22 | 138-0242 | 1 | Housing-Tensioner |
| 5 | 111-3484 | 12 | Screw-HH | 23 | 65-8770 | 2 | Bushing-Bellcrank |
| 6 | 138-0186 | 1 | Track-Narrow | 24 | 138-4681 | 1 | Plate-Pivot |
| 7 | 137-4618 | 1 | Mount-Motor, LH | 25 | 138-0247 | 1 | Screw-Tensioner |
| 8 | 138-0761 | 1 | Motor-HYD | 26 | 32151-77 | 1 | Ring-Retaining, External |
| 9 | 137-4614 | 2 | Plate-Mounting, Wheelmotor | 27 | 321-9 | 1 | Screw-HH |
| 11 | 137-4632 | 2 | Plate-Ear, Inside | 28 | 98-4799 | 1 | Spacer |
| 12 | 323-7 | 4 | Screw-HH | 29 | 32128-32 | 1 | Nut-HHF |
| 13 | 104-8301 | 4 | Nut-HF, NI | 30 | 127-9565 | 1 | Spacer-Pivot |
| 14 | 138-0238 | 1 | Tensioner-Spring | 31 | 137-4518 | 1 | Pin-Pivot |
| 15 | 130-1057 | 1 | Pin-Tensioner | 32 | 137-4645 | 1 | Hub-Sprocket |
| 16 | 138-0237 | 1 | Spring-Compression | 33 | 107-9319 | 1 | Nut-Hex |
| 17 | 138-0248 | 1 | Guide-Tensioner | 34 | 137-4643 | 2 | Sprocket-18 Tooth |
| 18 | 99-2659 | 1 | Washer | 35 | 3234-40 | 4 | Screw-HF |
| | | | | 36 | 137-4653 | 6 | Screw-HHF |

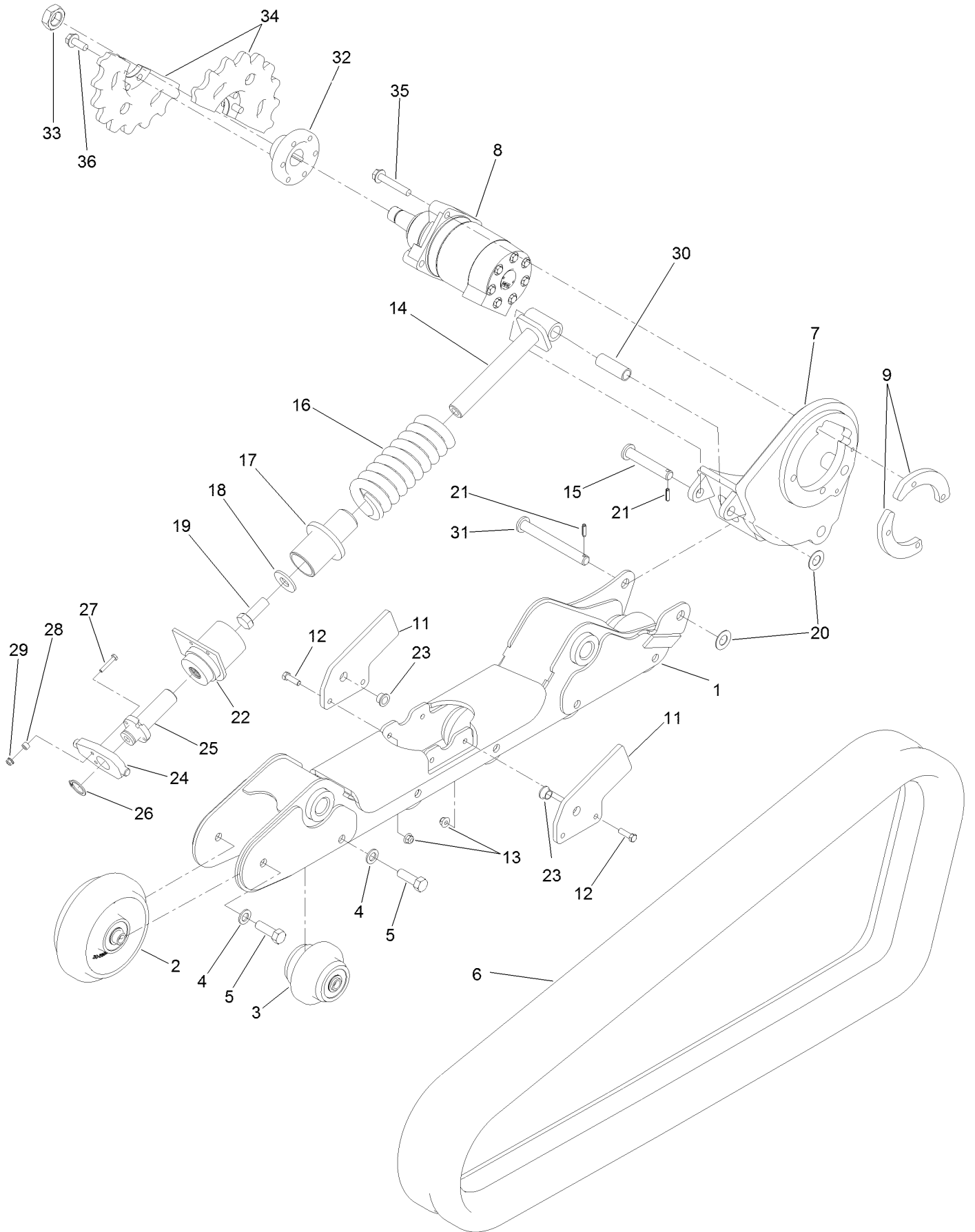
Hydraulic Motor Assembly No. 138-0761



Hydraulic Motor Assembly No. 138-0761 (continued)

| <i>Ref.</i> | <i>Part Number</i> | <i>Qty.</i> | <i>Description</i> |
|-------------|--------------------|-------------|--------------------|
| 1 | 137-1824 | 1 | Seal Kit |
| 2 | 3257-42 | 1 | Key-Woodruff |

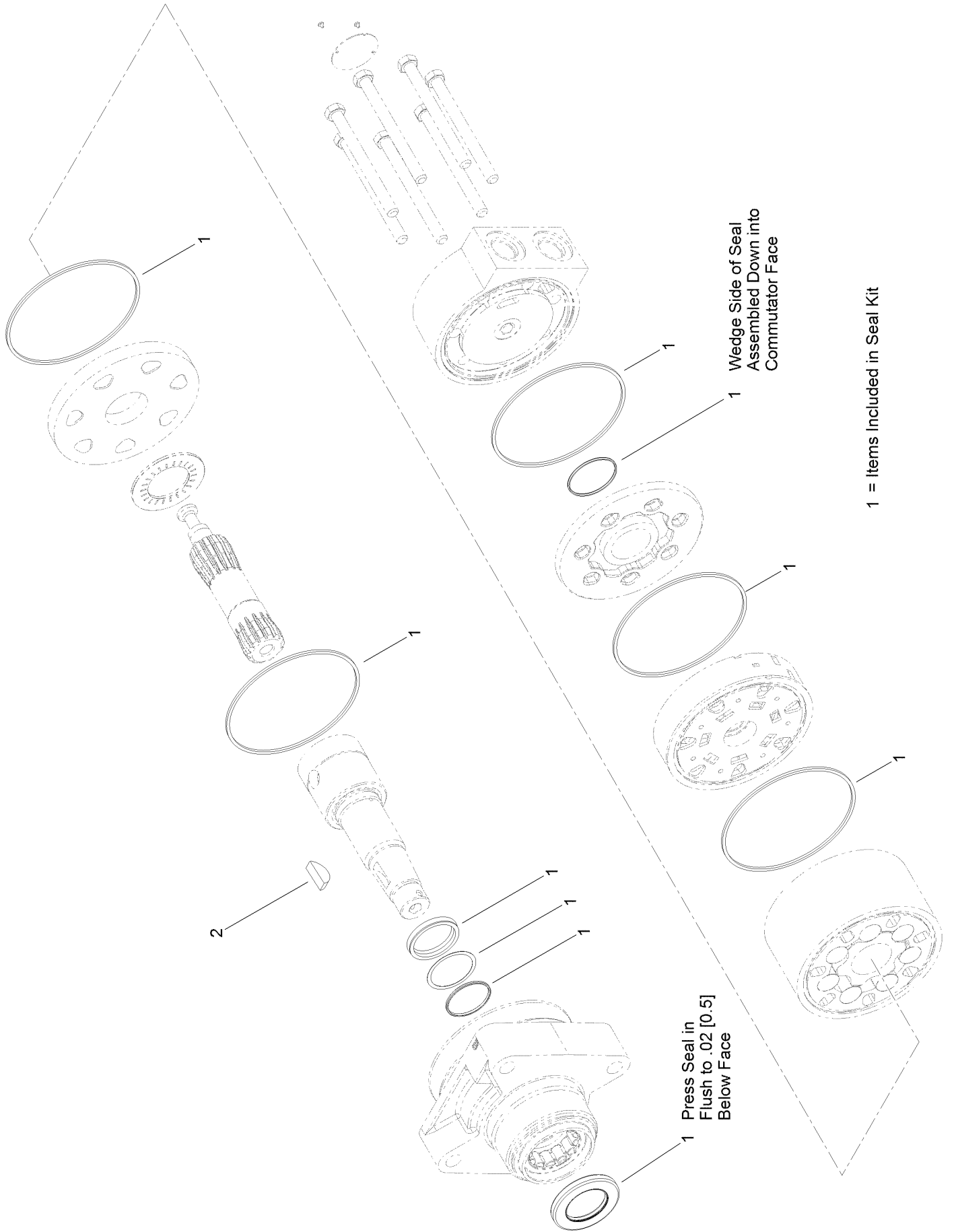
Track Assembly, Sprocket-Driven, RH No. 138-0795



Track Assembly, Sprocket-Driven, RH No. 138-0795 (continued)

| <i>Ref.</i> | <i>Part Number</i> | <i>Qty.</i> | <i>Description</i> | <i>Ref.</i> | <i>Part Number</i> | <i>Qty.</i> | <i>Description</i> |
|-------------|--------------------|-------------|-------------------------------|-------------|--------------------|-------------|--------------------------|
| 1 | 138-4657 | 1 | Frame-Track, RH | 19 | AU426-1232 | 1 | Bolt |
| 2 | 137-8807 | 1 | Tensioner Wheel ASM | 20 | 3256-39 | 2 | Washer-Flat |
| 3 | 137-8808 | 5 | Road Wheel ASM, Cassette Seal | 21 | 32121-24 | 2 | Pin-Spring |
| 4 | 33098-00 | 12 | Washer-Flat | 22 | 137-4650 | 1 | Housing-Tensioner, RH |
| 5 | 111-3484 | 12 | Screw-HH | 23 | 65-8770 | 2 | Bushing-Bellcrank |
| 6 | 138-0186 | 1 | Track-Narrow | 24 | 138-4681 | 1 | Plate-Pivot |
| 7 | 137-4619 | 1 | Mount-Motor, RH | 25 | 138-0247 | 1 | Screw-Tensioner |
| 8 | 138-0778 | 1 | Motor-HYD | 26 | 32151-77 | 1 | Ring-Retaining, External |
| 9 | 137-4614 | 2 | Plate-Mounting, Wheelmotor | 27 | 321-9 | 1 | Screw-HH |
| 11 | 137-4632 | 2 | Plate-Ear, Inside | 28 | 98-4799 | 1 | Spacer |
| 12 | 323-7 | 4 | Screw-HH | 29 | 32128-32 | 1 | Nut-HHF |
| 13 | 104-8301 | 4 | Nut-HF, NI | 30 | 127-9565 | 1 | Spacer-Pivot |
| 14 | 138-0238 | 1 | Tensioner-Spring | 31 | 137-4518 | 1 | Pin-Pivot |
| 15 | 130-1057 | 1 | Pin-Tensioner | 32 | 137-4645 | 1 | Hub-Sprocket |
| 16 | 138-0237 | 1 | Spring-Compression | 33 | 107-9319 | 1 | Nut-Hex |
| 17 | 138-0248 | 1 | Guide-Tensioner | 34 | 137-4643 | 2 | Sprocket-18 Tooth |
| 18 | 99-2659 | 1 | Washer | 35 | 3234-40 | 4 | Screw-HF |
| | | | | 36 | 137-4653 | 6 | Screw-HHF |

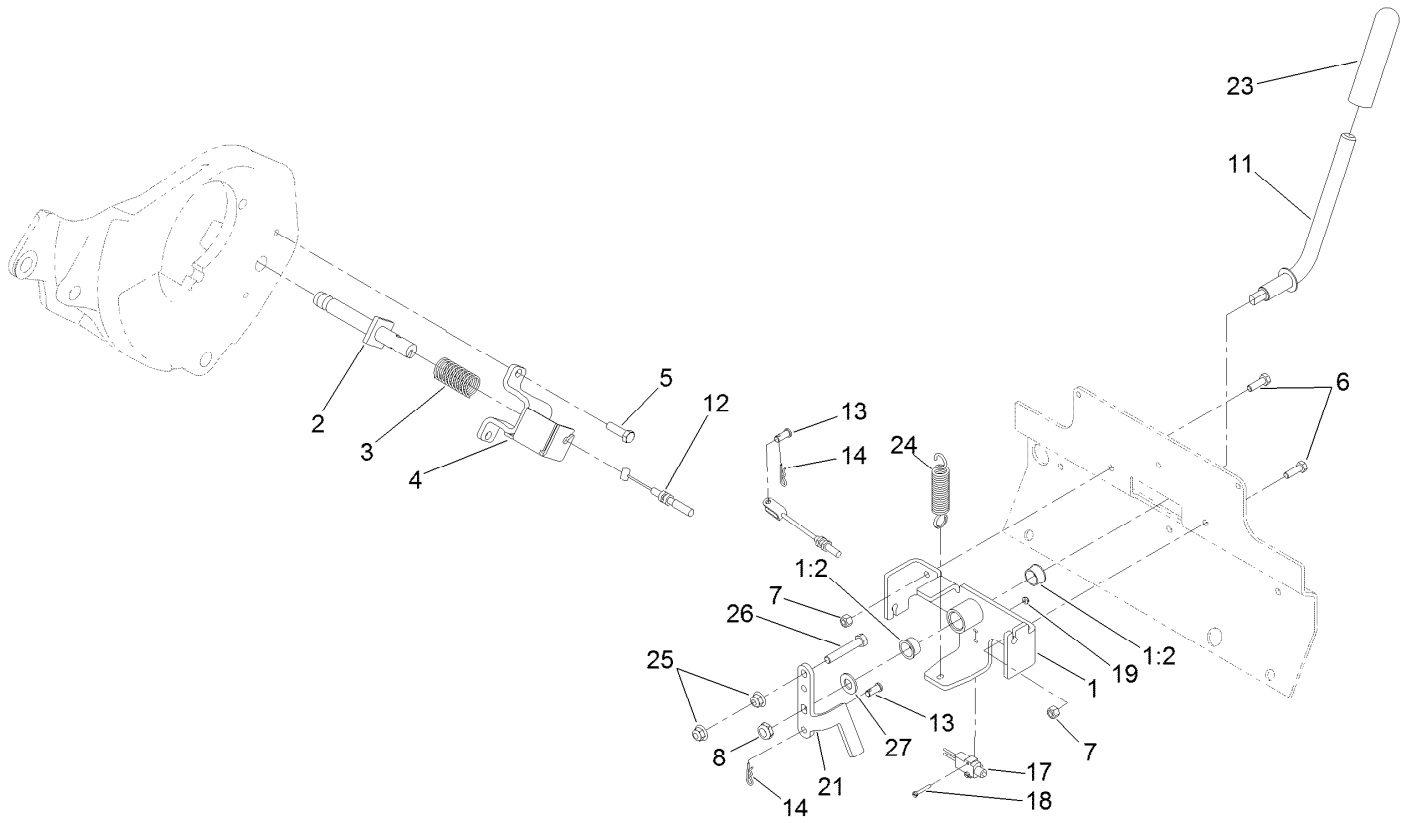
Hydraulic Motor Assembly No. 138-0778



Hydraulic Motor Assembly No. 138-0778 (continued)

| <i>Ref.</i> | <i>Part Number</i> | <i>Qty.</i> | <i>Description</i> |
|-------------|--------------------|-------------|--------------------|
| 1 | 137-1824 | 1 | Seal Kit |
| 2 | 3257-42 | 1 | Key-Woodruff |

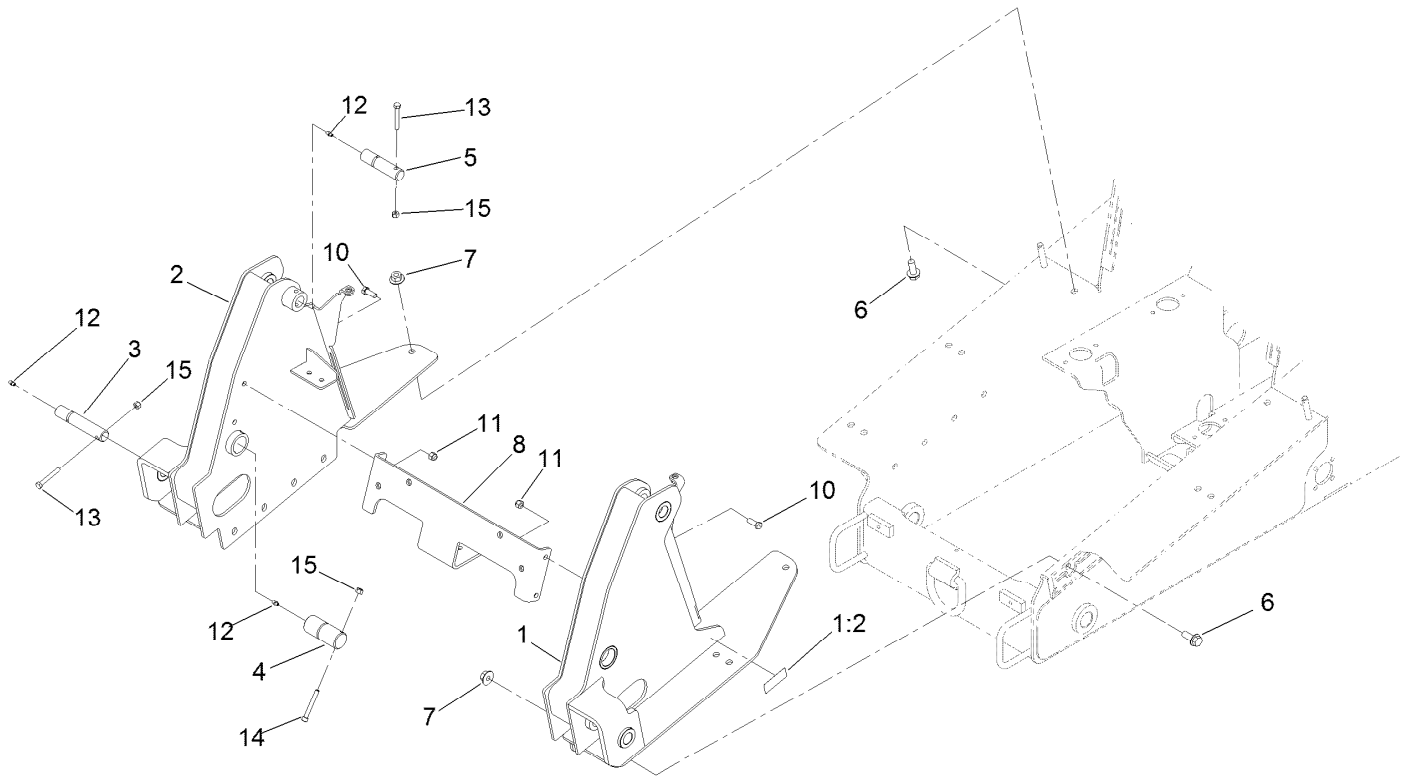
Brake Assembly



Brake Assembly (continued)

| <i>Ref.</i> | <i>Part Number</i> | <i>Qty.</i> | <i>Description</i> | <i>Ref.</i> | <i>Part Number</i> | <i>Qty.</i> | <i>Description</i> |
|-------------|--------------------|-------------|--------------------|-------------|--------------------|-------------|----------------------|
| 1 | 127-9649 | 1 | Brake Bracket ASM | 13 | 283-62 | 2 | Pin-Clevis |
| 1:2 | 256-252 | 2 | Bearing-Flange | 14 | 3290-307 | 2 | Pin-Cotter |
| 2 | 130-5278 | 2 | Shaft | 17 | 95-8900 | 1 | Switch |
| 3 | 125-0344 | 2 | Spring-Compression | 18 | 32105-9 | 2 | Screw |
| 4 | 130-5284-03 | 2 | Bracket-Brake | 19 | 3296-9 | 2 | Nut-Hex |
| 5 | 323-7 | 4 | Screw-HH | 21 | 132-8473-03 | 1 | Plate-Linkage, Brake |
| 6 | 322-5 | 2 | Screw-HH | 23 | 110-1037 | 1 | Grip-Handle |
| 7 | 3296-29 | 2 | Nut-Lock, NI | 24 | 93-5985 | 1 | Spring-Extension |
| 8 | 3296-45 | 1 | Nut-Hex | 25 | 104-8301 | 2 | Nut-HF, NI |
| 11 | 132-8475 | 1 | Lever-Brake | 26 | 104-3396 | 1 | Screw-HH |
| 12 | 130-7737 | 2 | Cable-Brake | 27 | 3256-26 | 1 | Washer-Flat |

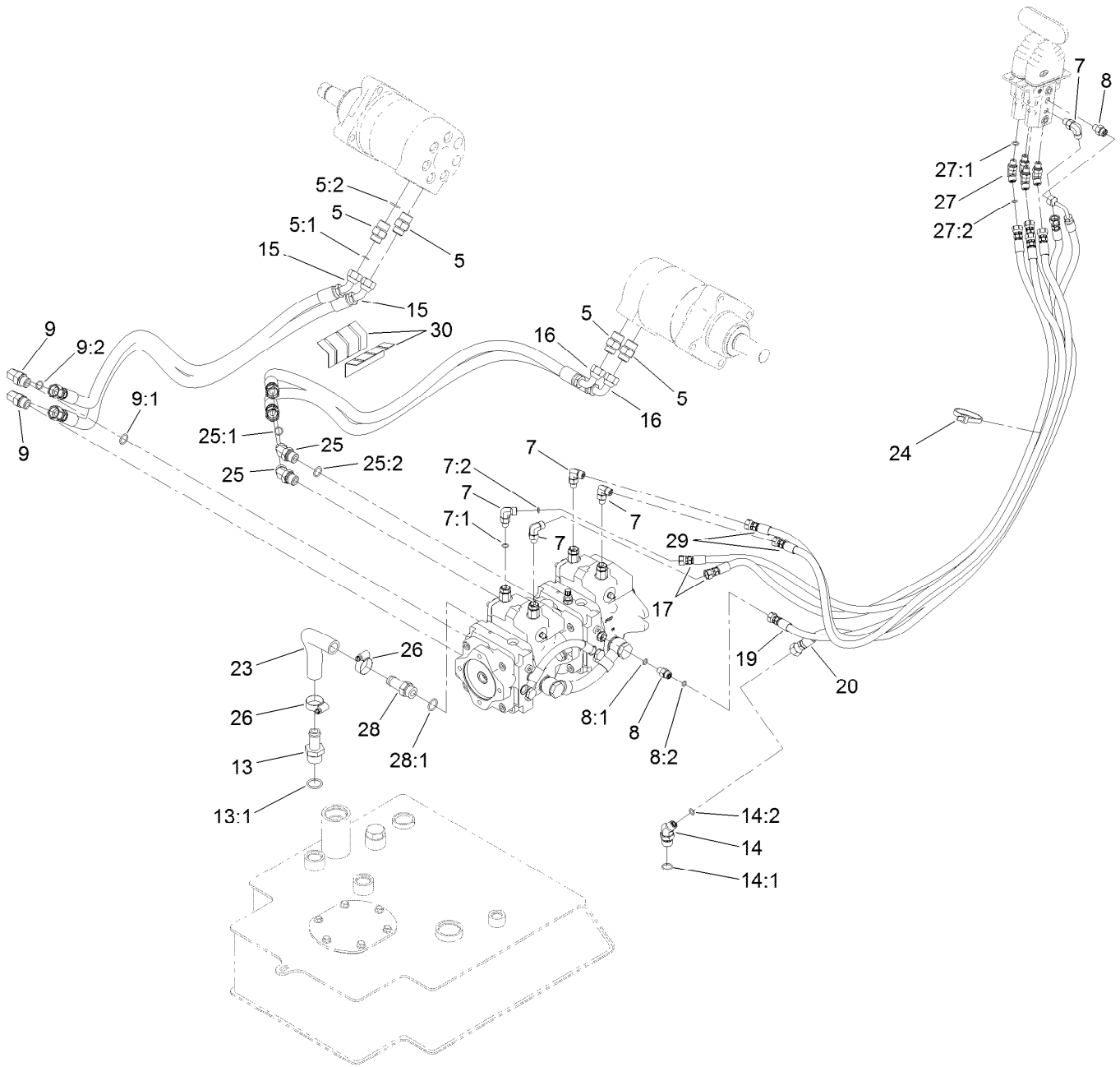
Front Tower Assembly



Front Tower Assembly (continued)

| <i>Ref.</i> | <i>Part Number</i> | <i>Qty.</i> | <i>Description</i> | <i>Ref.</i> | <i>Part Number</i> | <i>Qty.</i> | <i>Description</i> |
|-------------|--------------------|-------------|--------------------|-------------|--------------------|-------------|--------------------|
| 1 | 130-5323 | 1 | Tower-Front, LH | 8 | 125-3667-03 | 1 | Plate-Cross, Tower |
| 1:2 | 115-2047 | 1 | Decal-Surface, Hot | 10 | AU426-616 | 4 | Screw-HH |
| 2 | 130-5177-01 | 1 | Tower, RH | 11 | 3296-39 | 4 | Nut-Lock, NI |
| 3 | 131-9201 | 2 | Pin-HYD | 12 | 302-5 | 6 | Fitting-Grease |
| 4 | 125-3748 | 2 | Pin-Arm | 13 | 322-11 | 4 | Screw-HH |
| 5 | 125-3695 | 2 | Pin-Link | 14 | 3274-40 | 2 | Screw-HSH |
| 6 | 3234-38 | 18 | Screw-HHF | 15 | 3296-29 | 6 | Nut-Lock, NI |
| 7 | 32128-52 | 18 | Nut-Lock, Flange | | | | |

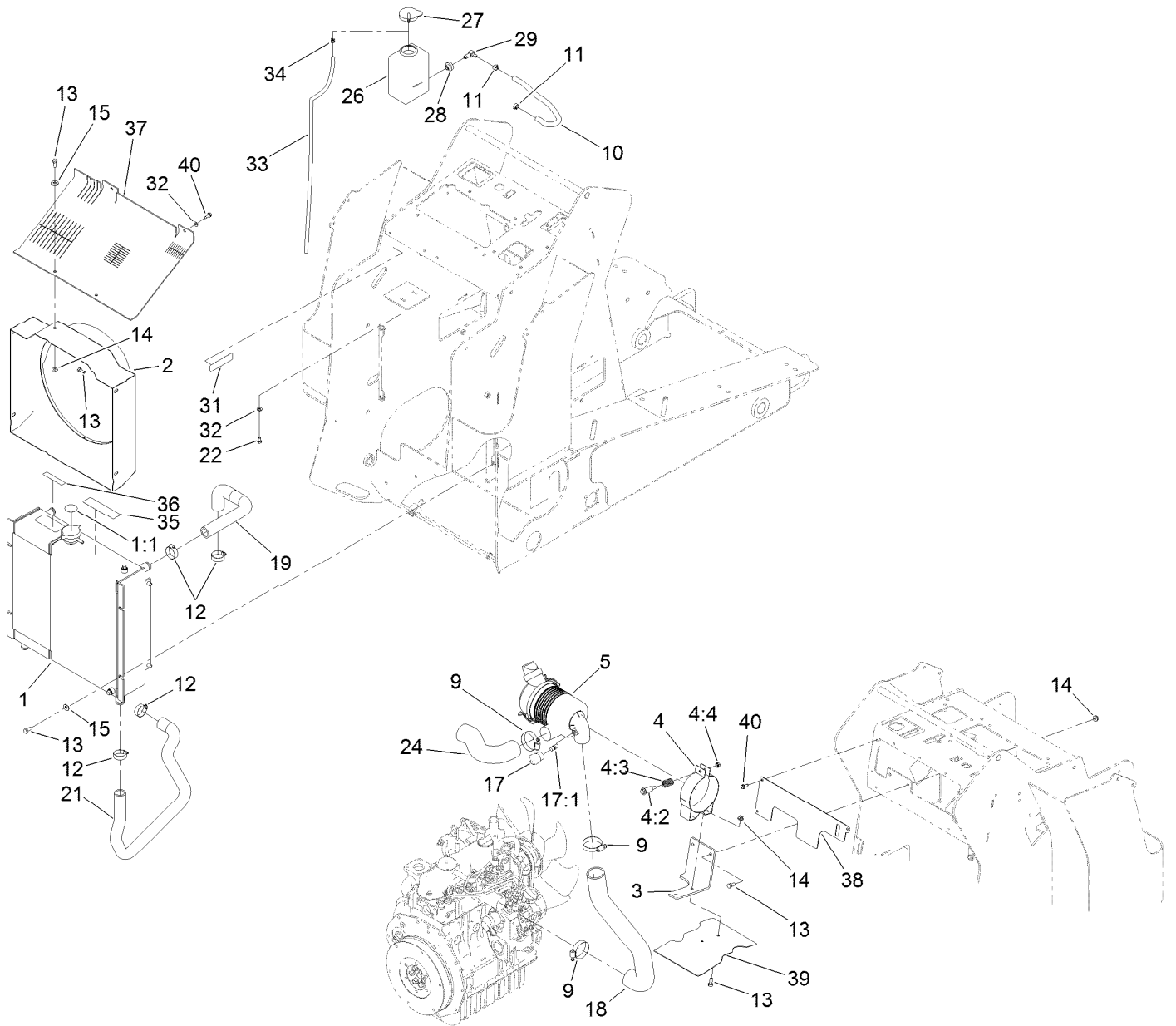
Hydraulic Hose Assembly



Hydraulic Hose Assembly (continued)

| <i>Ref.</i> | <i>Part Number</i> | <i>Qty.</i> | <i>Description</i> | <i>Ref.</i> | <i>Part Number</i> | <i>Qty.</i> | <i>Description</i> |
|-------------|--------------------|-------------|-----------------------|-------------|--------------------|-------------|---------------------|
| 5 | 340-6 | 4 | Fitting-Straight | 16 | 130-7734 | 2 | Hose-HYD |
| 5:1 | 237-30 | 1 | O-Ring | 17 | 127-9622 | 2 | Hose-HYD |
| 5:2 | 237-80 | 1 | O-Ring | 19 | 127-9624 | 1 | Hose-HYD |
| 7 | 340-132 | 5 | Fitting-Elbow, 90 DEG | 20 | 127-9625 | 1 | Hose-Return |
| 7:1 | 237-78 | 1 | O-Ring | 23 | 133-0231 | 1 | Hose-Return |
| 7:2 | 237-21 | 1 | O-Ring | 24 | 3334-945 | 1 | Tie-Cable |
| 8 | 340-92 | 2 | Fitting-Straight | 25 | 340-101 | 2 | Fitting-HYD, 45 DEG |
| 8:1 | 237-78 | 1 | O-Ring | 25:1 | 237-30 | 1 | O-Ring |
| 8:2 | 237-21 | 1 | O-Ring | 25:2 | 237-79 | 1 | O-Ring |
| 9 | 340-98 | 2 | Fitting-Elbow, 90 DEG | 26 | 2412-129 | 2 | Clamp-Hose |
| 9:1 | 237-79 | 1 | O-Ring | 27 | 340-103 | 4 | Fitting-HYD, 45 DEG |
| 9:2 | 237-30 | 1 | O-Ring | 27:1 | 237-78 | 1 | O-Ring |
| 13 | 354-73 | 1 | Fitting | 27:2 | 237-21 | 1 | O-Ring |
| 13:1 | 237-81 | 1 | O-Ring | 28 | 354-136 | 1 | Fitting-STR |
| 14 | 340-138 | 1 | Fitting-HYD, 45 DEG | 28:1 | 237-80 | 1 | O-Ring |
| 14:1 | 237-79 | 1 | O-Ring | 29 | 127-9623 | 2 | Hose-HYD |
| 14:2 | 237-22 | 1 | O-Ring | 30 | AU112950 | 2 | Protector-Hose |
| 15 | 133-0226 | 2 | Hose-HYD | | | | |

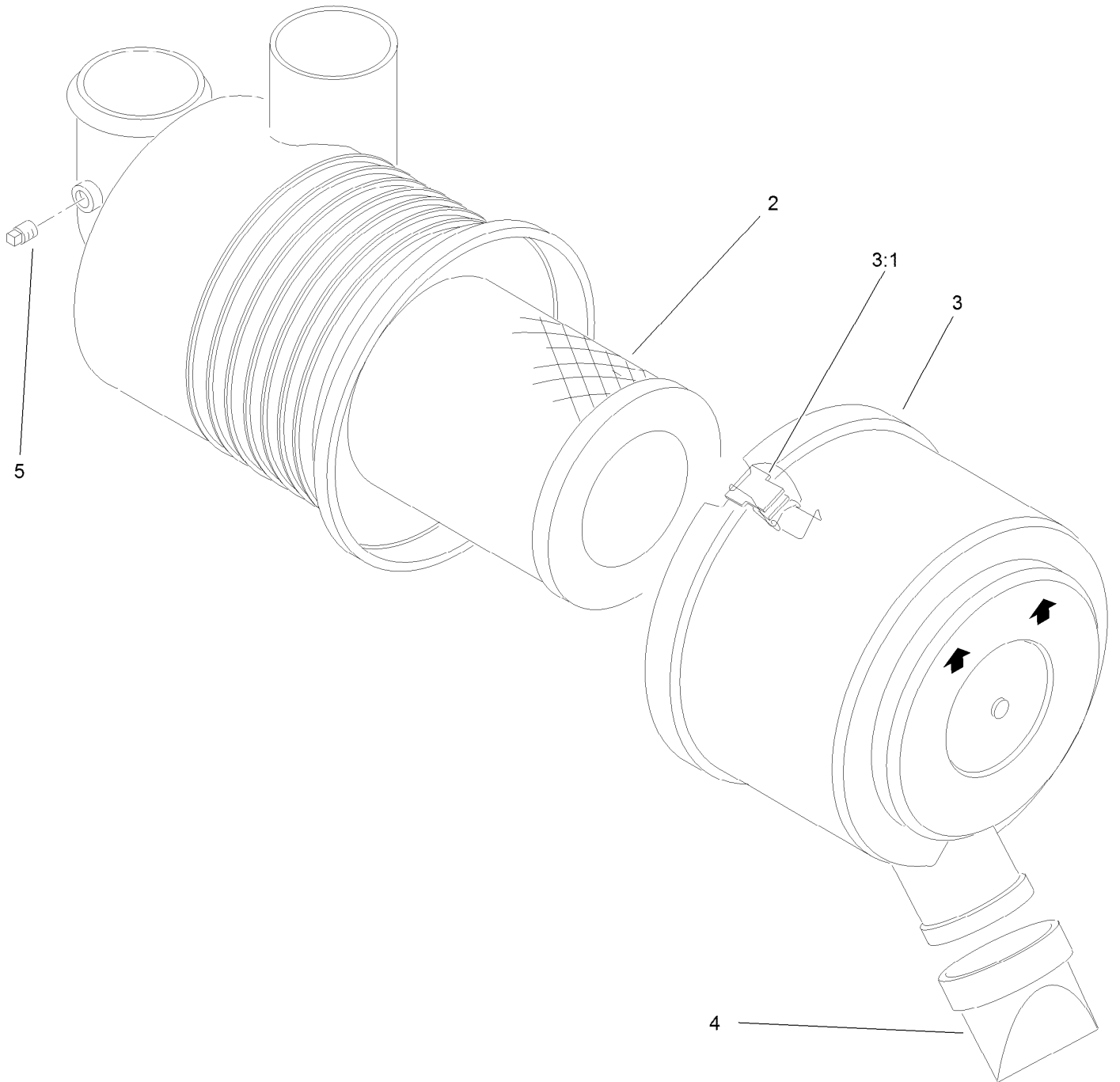
Radiator and Air Cleaner Assembly



Radiator and Air Cleaner Assembly (continued)

| <i>Ref.</i> | <i>Part Number</i> | <i>Qty.</i> | <i>Description</i> | <i>Ref.</i> | <i>Part Number</i> | <i>Qty.</i> | <i>Description</i> |
|-------------|--------------------|-------------|----------------------------------|-------------|--------------------|-------------|-----------------------|
| 1 | 130-1030 | 1 | Combo Cooler ASM | 18 | 131-9173 | 1 | Hose-Intake, Engine |
| 1:1 | 106-6755 | 1 | Decal-Cap, Radiator | 19 | 130-1145 | 1 | Hose-Radiator |
| 2 | 130-1144-03 | 1 | Shroud | 21 | 131-9153 | 1 | Hose-Radiator, Lower |
| 3 | 125-0377-03 | 1 | Bracket | 22 | 321-2 | 2 | Screw-HH |
| 4 | 93-2191 | 1 | Air Cleaner Mounting Band ASM | 24 | 130-0952 | 1 | Hose-Air, Inlet |
| 4:2 | 94-3653 | 1 | Bolt | 26 | 1-643163 | 1 | Tank-Overflow |
| 4:3 | 94-3654 | 1 | Spring | 27 | 1-643164 | 1 | Cap-Tank, Overflow |
| 4:4 | 48-9510 | 1 | Nut | 28 | 46-6560 | 1 | Bushing |
| 5 | 93-2190 | 1 | Air Cleaner ASM | 29 | 46-6550 | 1 | Fitting-Elbow, 90 DEG |
| 9 | 2412-92 | 3 | Clamp-Hose | 31 | 115-4865 | 1 | Decal-Fill, Radiator |
| 10 | 110-4110 | 1 | Hose-LP | 32 | 3256-22 | 4 | Washer-Flat |
| 11 | 92-2379 | 2 | Clamp-Hose | 33 | 108-6344 | 1 | Hose-LP |
| 12 | 2412-34 | 4 | Clamp-Hose | 34 | 2412-80 | 1 | Clamp-Hose |
| 13 | 322-3 | 14 | Screw-HH | 35 | 93-7814 | 1 | Decal-Danger |
| 14 | 32128-20 | 6 | Nut-HF | 36 | 93-6681 | 1 | Decal-Warning, Fan |
| 15 | 3256-3 | 6 | Washer-Flat | 37 | 131-9214 | 1 | Guard-Air |
| 17 | 104-3563 | 1 | Indicator | 38 | 131-9215 | 1 | Cover-Air |
| 17:1 | 94-1416 | 1 | Adapter-Indicator | 39 | 131-9216 | 1 | Baffle-Air |
| | | | | 40 | 32104-95 | 5 | Screw-HWH |

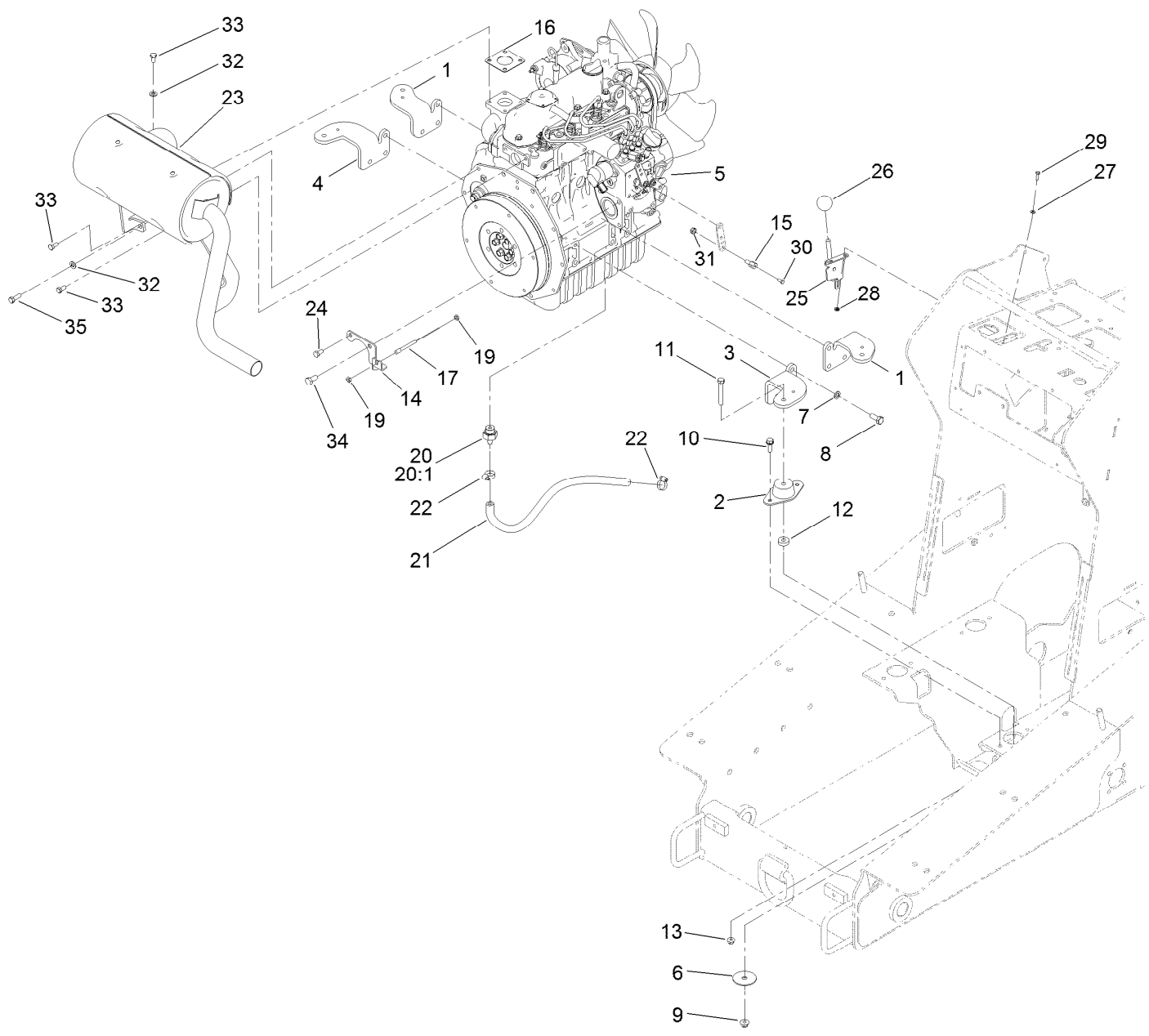
Air Cleaner Assembly No. 93-2190



Air Cleaner Assembly No. 93-2190 (continued)

| <i>Ref.</i> | <i>Part Number</i> | <i>Qty.</i> | <i>Description</i> | <i>Ref.</i> | <i>Part Number</i> | <i>Qty.</i> | <i>Description</i> |
|-------------|--------------------|-------------|--------------------|-------------|--------------------|-------------|--------------------|
| 2 | 108-3811 | 1 | Filter-Air | 4 | 87-9400 | 1 | Valve-Vacuator |
| 3 | 94-3652 | 1 | Cover ASM | 5 | 285-17 | 1 | Plug-Pipe |
| 3:1 | 1-643283 | 2 | Latch-Cleaner, Air | | | | |

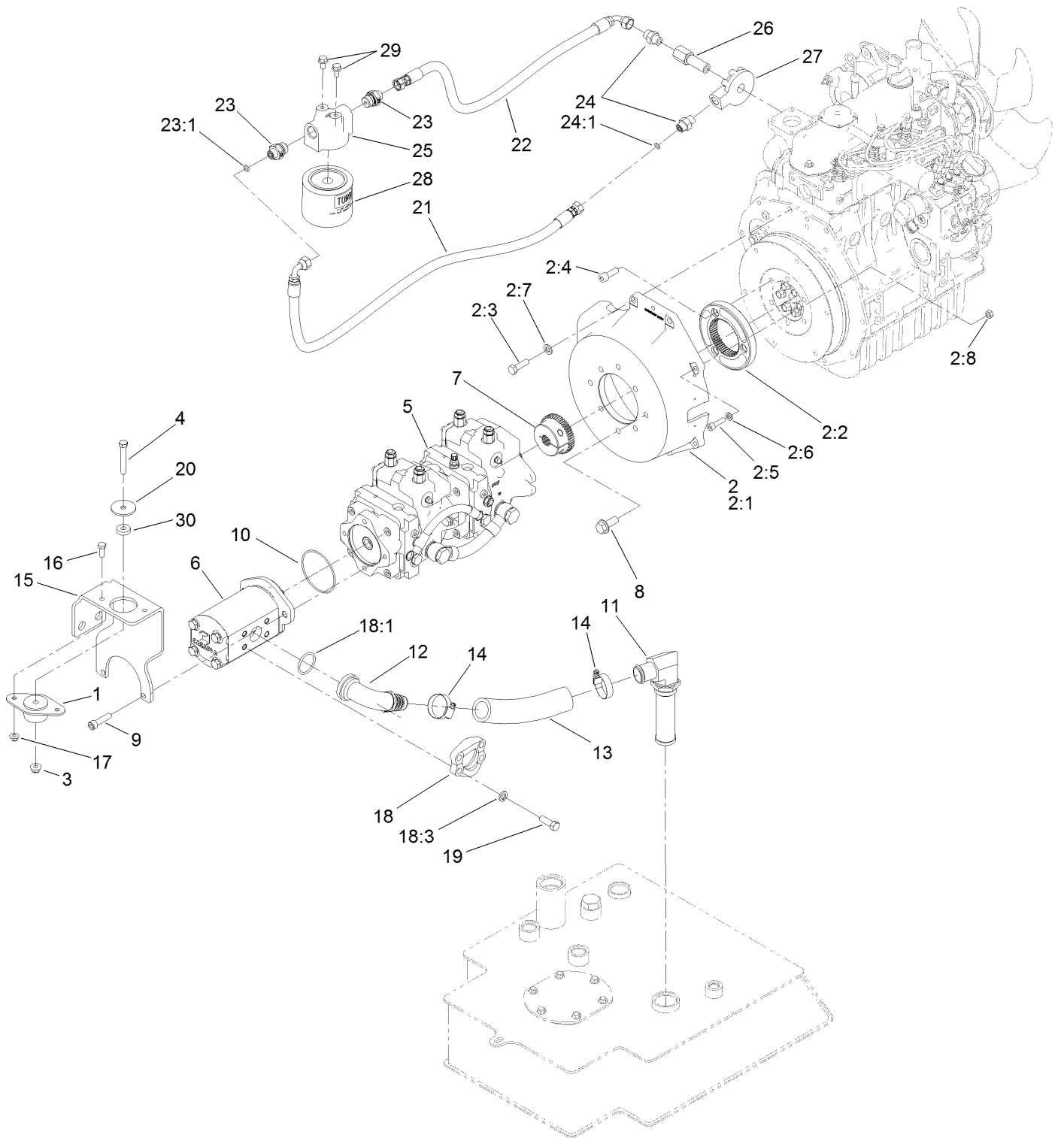
Engine Mount and Muffler Assembly



Engine Mount and Muffler Assembly (continued)

| <i>Ref.</i> | <i>Part Number</i> | <i>Qty.</i> | <i>Description</i> | <i>Ref.</i> | <i>Part Number</i> | <i>Qty.</i> | <i>Description</i> |
|-------------|--------------------|-------------|--------------------|-------------|--------------------|-------------|-------------------------|
| 1 | 115-8066-03 | 2 | Mount-Engine | 20 | 114-8587 | 1 | Fitting-Hose |
| 2 | 121-9076 | 4 | Mount-Engine | 20:1 | 98-9399 | 1 | Gasket |
| 3 | 115-8068-03 | 1 | Mount-Engine LH | 21 | 92-7424 | 1 | Hose-Overflow, Radiator |
| 4 | 115-8063-03 | 1 | Mount-Engine, RH | 22 | 2412-36 | 2 | Clamp-Hose |
| 5 | 130-7727 | 1 | Engine ASM | 23 | 130-7732 | 1 | Muffler-Diesel |
| 6 | 87-5100 | 4 | Washer-Snubbing | 24 | 33114-016 | 1 | Screw-HH |
| 7 | 48-9590 | 12 | Washer-Lock | 25 | 108-9730 | 1 | Lever-Control |
| 8 | 43-0090 | 12 | Screw-HH | 26 | 233-42 | 1 | Knob |
| 9 | 104-8301 | 4 | Nut-HF, NI | 27 | 3256-51 | 2 | Washer-Flat |
| 10 | 3234-29 | 8 | Screw-HHF | 28 | 32149-7 | 2 | Nut-Keps |
| 11 | 323-12 | 4 | Screw-HH | 29 | 3290-134 | 2 | Screw |
| 12 | 62-6660 | 4 | Spacer | 30 | 25-8640 | 1 | Screw-HH |
| 13 | 104-8300 | 8 | Nut-HF, NI | 31 | 3296-20 | 1 | Nut-Lock, NI |
| 14 | 130-1148-03 | 1 | Bracket-Throttle | 32 | 3256-23 | 5 | Washer-Plain |
| 15 | 98-9311 | 1 | Swivel-Throttle | 33 | 99-5132 | 6 | Bolt |
| 16 | 99-8343 | 1 | Gasket-Muffler | 34 | 63-7790 | 1 | Screw-Cap |
| 17 | 130-7743 | 1 | Cable-Throttle | 35 | 99-5131 | 1 | Bolt |
| 19 | 3220-1 | 2 | Nut-Jam | | | | |

Tandem Pump and Gear Pump Assembly



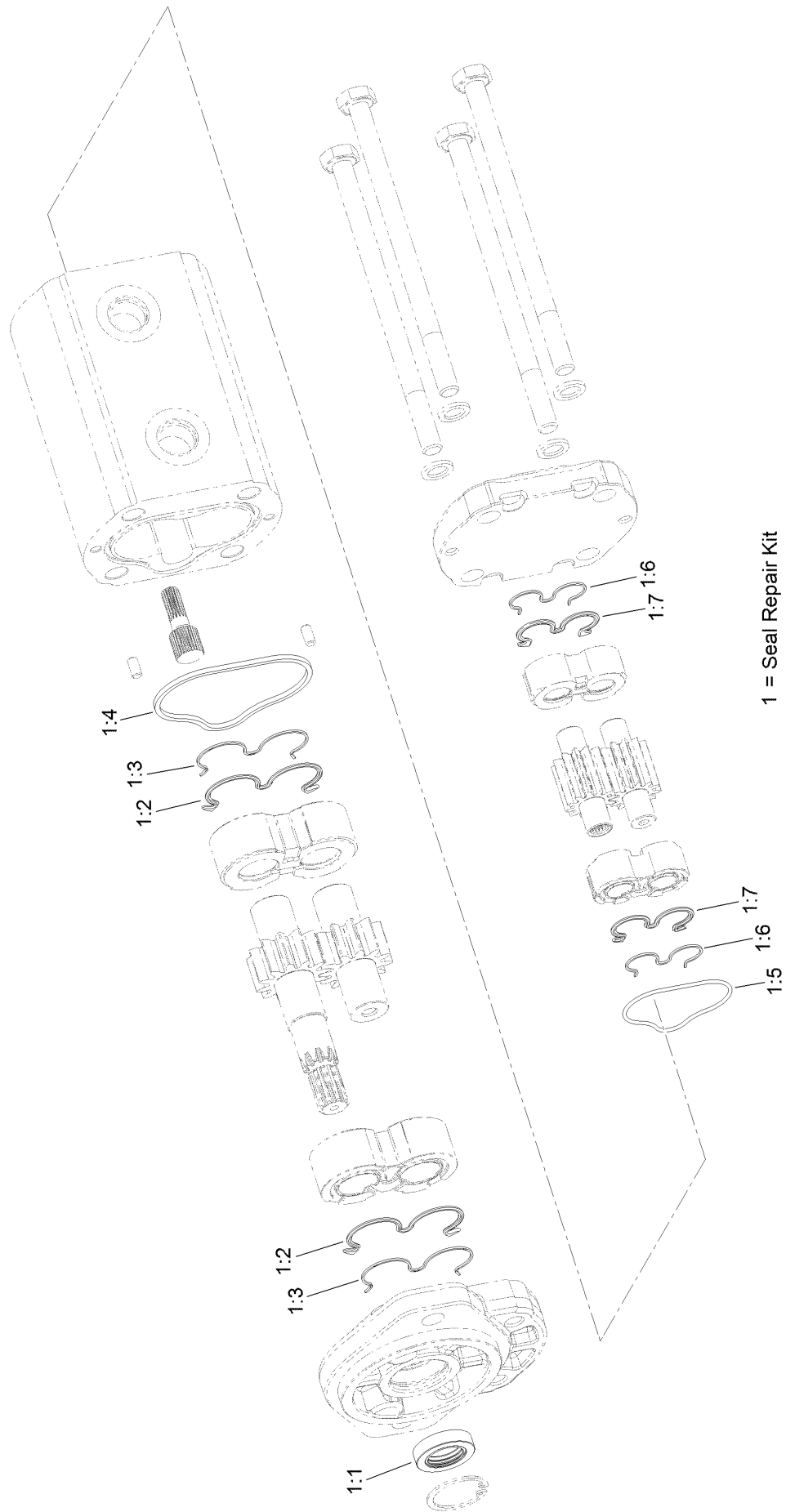
Tandem Pump and Gear Pump Assembly (continued)

| <i>Ref.</i> | <i>Part Number</i> | <i>Qty.</i> | <i>Description</i> | <i>Ref.</i> | <i>Part Number</i> | <i>Qty.</i> | <i>Description</i> |
|-------------|--------------------|-------------|--------------------|-------------|--------------------|-------------|--------------------|
| 1 | 121-9076 | 1 | Mount-Engine | 15 | 125-3736-01 | 1 | Plate-Support |
| 2 | 130-7728 | 1 | Mount-Pump | 16 | 322-4 | 2 | Screw-HH |
| 2:1 | 130-7724 | 1 | Housing-Pump Mount | 17 | 104-8300 | 2 | Nut-HF, NI |
| 2:2 | 125-1179 | 1 | Flange-Coupler | 18 | 114-0090 | 1 | Flange Kit |
| 2:3 | 56-2140 | 2 | Screw-HH | 18:1 | 115-5420 | 1 | O-Ring |
| 2:4 | 108-1420 | 3 | Screw-HSH | 18:2 | 324-6 | 4 | Screw-HH ■● |
| 2:5 | 94-3559 | 4 | Screw-HSH | 18:3 | 3253-6 | 4 | Washer-Lock |
| 2:6 | 115-7370 | 4 | Washer-Plain | 19 | 324-5 | 4 | Screw-HH |
| 2:7 | 33095-00 | 2 | Washer-Flat | 20 | 63-7400 | 1 | Washer-Rebound |
| 2:8 | 33014-00 | 1 | Nut-Hex | 21 | 130-7717 | 1 | Hose-HYD |
| 3 | 104-8301 | 1 | Nut-HF, NI | 22 | 130-7719 | 1 | Hose-HYD |
| 4 | 323-12 | 1 | Screw-HH | 23 | 130-7715 | 2 | Fitting-HYD |
| 5 | 121-4593 | 1 | Pump-Tandem | 23:1 | 237-22 | 1 | O-Ring |
| 6 | 130-7731 | 1 | Pump-Gear | 24 | 130-7716 | 2 | Fitting-HYD |
| 7 | 130-7725 | 1 | Hub-Pump | 24:1 | 237-22 | 1 | O-Ring |
| 8 | 3234-38 | 2 | Screw-HHF | 25 | 130-7588 | 1 | Base-Filter |
| 9 | 09718 | 2 | Screw-Sh | 26 | 130-7587 | 1 | Pipe-Joint |
| 10 | 237-161 | 1 | O-Ring | 27 | 130-7586 | 1 | Base-Filter |
| 11 | 130-7582 | 1 | Strainer-Suction | 28 | 104-5169 | 1 | Filter-Oil |
| 12 | 112-7374 | 1 | Fitting | 29 | 33104-016 | 2 | Screw-HHF |
| 13 | 130-7561 | 1 | Hose-Suction | 30 | 62-6660 | 1 | Spacer |
| 14 | 2412-111 | 2 | Clamp | | | | |

● Not illustrated

■ Not used for this configuration

Gear Pump Assembly No. 130-7731



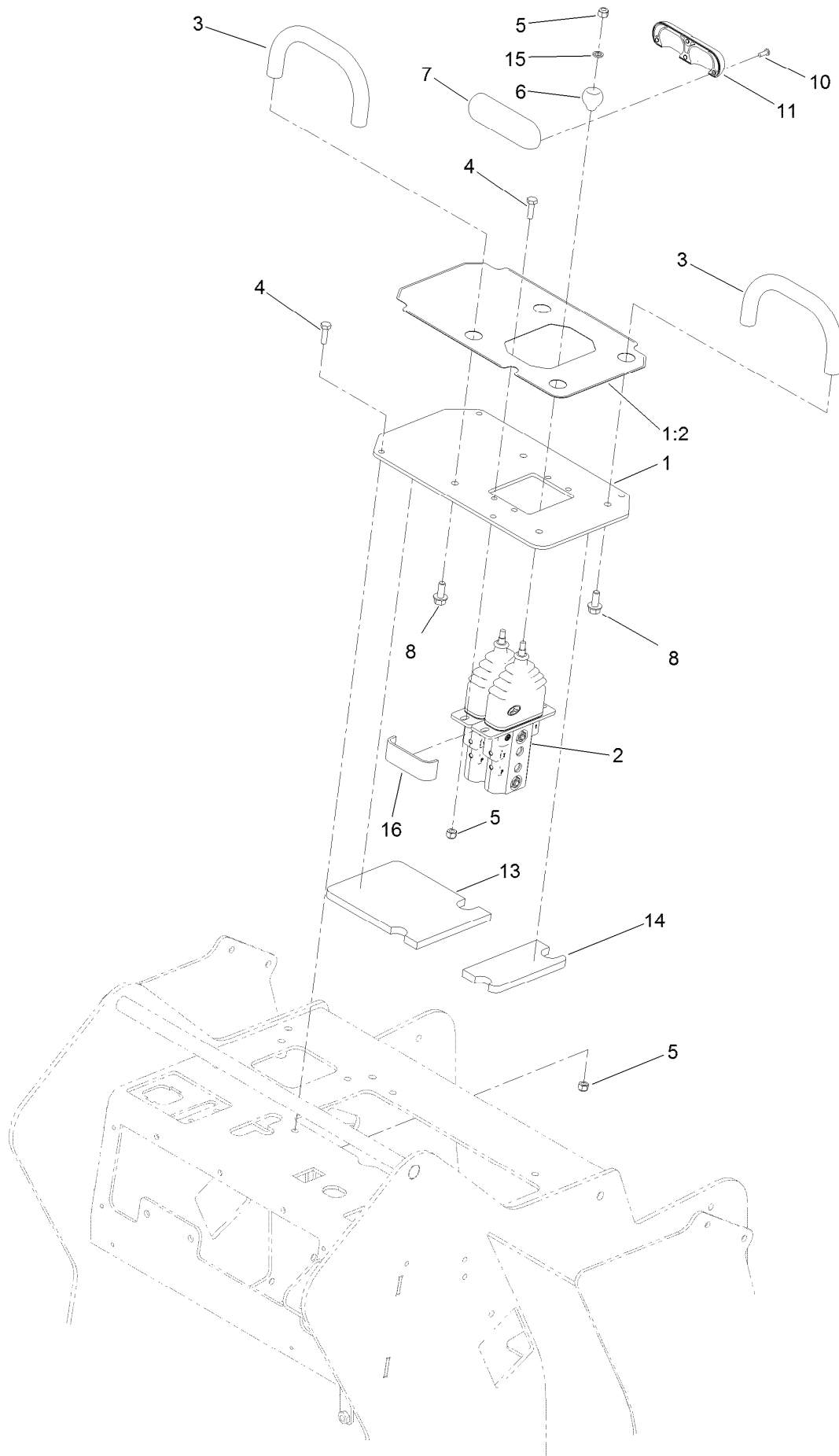
1 = Seal Repair Kit

Gear Pump Assembly No. 130-7731 (continued)

| <i>Ref.</i> | <i>Part Number</i> | <i>Qty.</i> | <i>Description</i> | <i>Ref.</i> | <i>Part Number</i> | <i>Qty.</i> | <i>Description</i> |
|-------------|--------------------|-------------|--------------------|-------------|--------------------|-------------|--------------------|
| 1 | 132-6028 | 1 | Seal Kit | 1:4 | | 1 | Seal-Square ● |
| 1:1 | | 1 | Seal-Shaft ● | 1:5 | | 1 | O-Ring ● |
| 1:2 | | 2 | Seal-Gear ● | 1:6 | | 2 | Ring-Backup ● |
| 1:3 | | 2 | Ring-Backup ● | 1:7 | | 2 | Seal-Gear, Rear ● |

● Not serviced separately

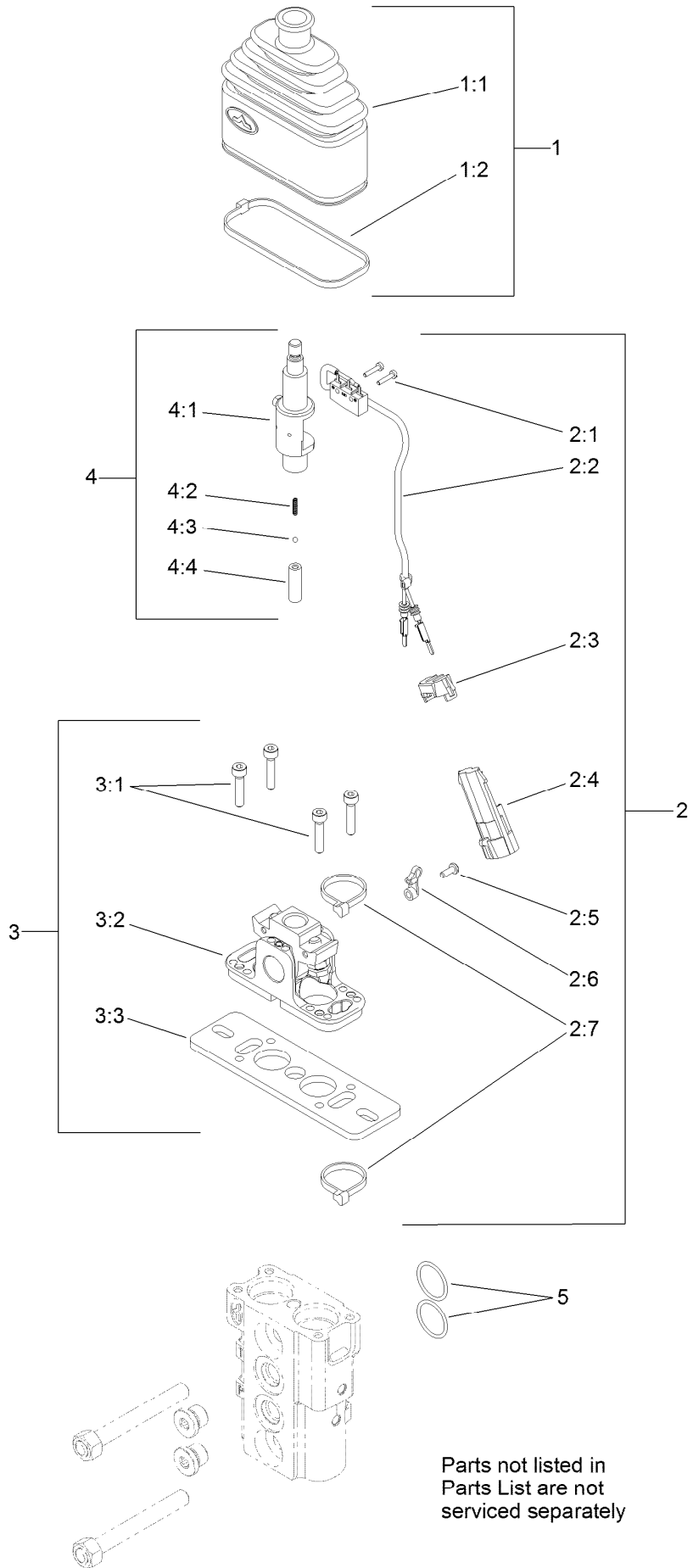
Control Valve and Reference Bar Assembly



Control Valve and Reference Bar Assembly (continued)

| <i>Ref.</i> | <i>Part Number</i> | <i>Qty.</i> | <i>Description</i> | <i>Ref.</i> | <i>Part Number</i> | <i>Qty.</i> | <i>Description</i> |
|-------------|--------------------|-------------|---------------------|-------------|--------------------|-------------|--------------------|
| 1 | 130-5321 | 1 | Plate-Control | 8 | 3234-5 | 4 | Screw-HHF |
| 1:2 | 131-0708 | 1 | Decal-Control Panel | 10 | 94-6961 | 4 | Screw |
| 2 | 125-3704 | 1 | Valve-Control | 11 | 131-9162 | 1 | Handle-Traction |
| 3 | 112-2620 | 2 | Bar-Reference | 13 | 132-8414 | 1 | Foam-Shield, Heat |
| 4 | 321-5 | 8 | Screw-HH | 14 | 132-8415 | 1 | Foam-Shield, Heat |
| 5 | 3296-42 | 10 | Nut-Lock, NI | 15 | 75-5470 | 2 | Spacer-Bearing |
| 6 | 130-7723 | 2 | Ball-Traction | 16 | 133-0222 | 1 | Tape-Wire |
| 7 | 130-7692 | 1 | Handle-Control | | | | |

Control Valve Assembly No. 125-3704

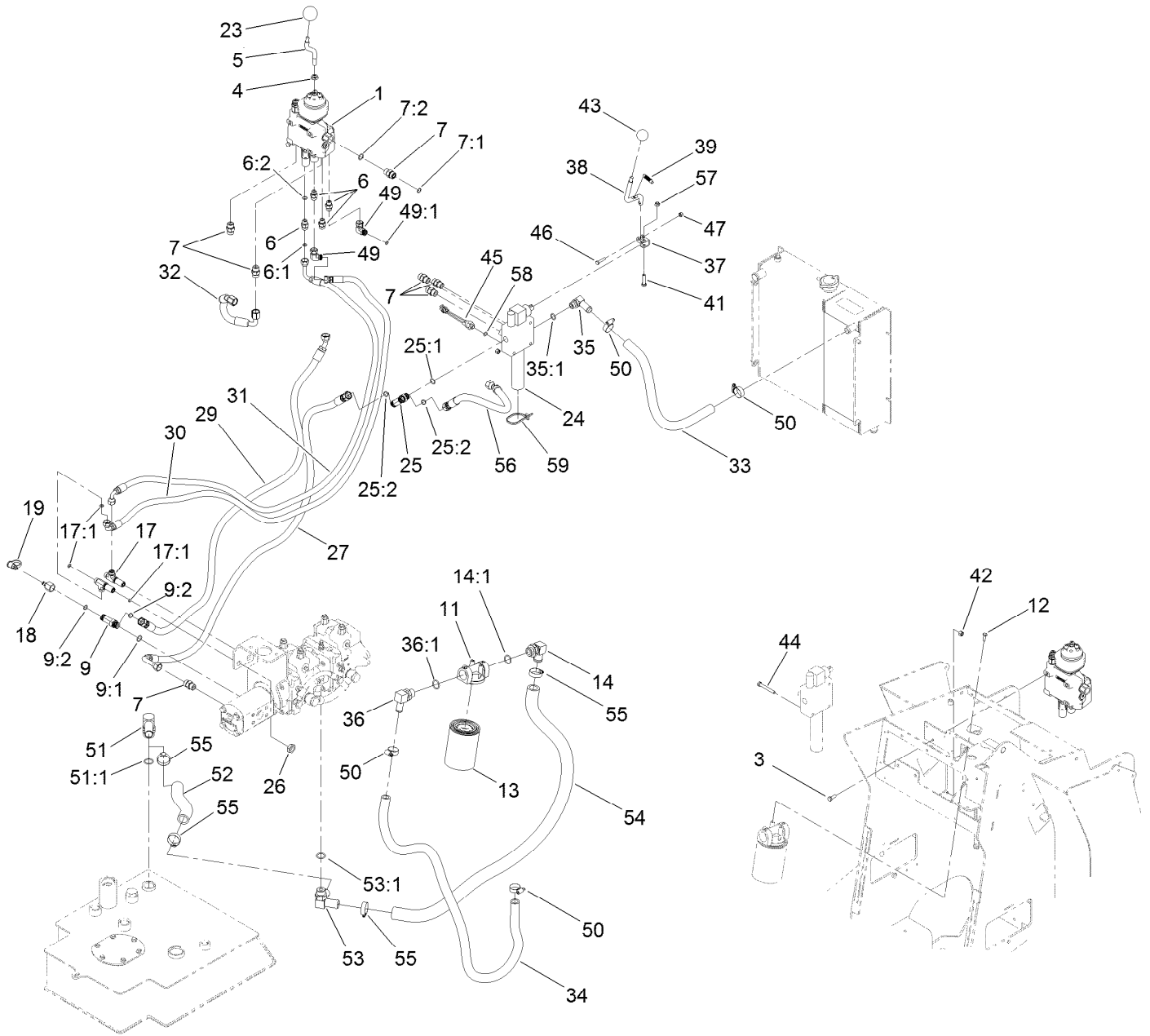


Control Valve Assembly No. 125-3704 (continued)

| <i>Ref.</i> | <i>Part Number</i> | <i>Qty.</i> | <i>Description</i> | <i>Ref.</i> | <i>Part Number</i> | <i>Qty.</i> | <i>Description</i> |
|-------------|--------------------|-------------|--------------------|-------------|--------------------|-------------|-------------------------|
| 1 | 132-6034 | 2 | Bellow Kit | 3 | 132-6036 | 2 | Fulcrum Kit |
| 1:1 | | 1 | Bellow-Rubber ● | 3:1 | | 4 | Screw ● |
| 1:2 | | 1 | Tie-Cable ● | 3:2 | | 1 | Support Kit ● |
| 2 | 132-6035 | 2 | Limit Switch Kit | 3:3 | | 1 | Plate-Mounting ● |
| 2:1 | | 2 | Screw ● | 4 | 132-6037 | 2 | Switch Holder Lever Kit |
| 2:2 | | 1 | Cable ● | 4:1 | | 1 | Lever-Holder, Switch ● |
| 2:3 | | 1 | Fairlead ● | 4:2 | | 1 | Spring-Return ● |
| 2:4 | | 1 | Connector ● | 4:3 | | 1 | Sphere ● |
| 2:5 | | 1 | Screw ● | 4:4 | | 1 | Holder-Spring ● |
| 2:6 | | 1 | Tie-Wire ● | 5 | 100-7246 | 2 | O-Ring |
| 2:7 | | 2 | Tie-Cable ● | | | | |

● Not serviced separately

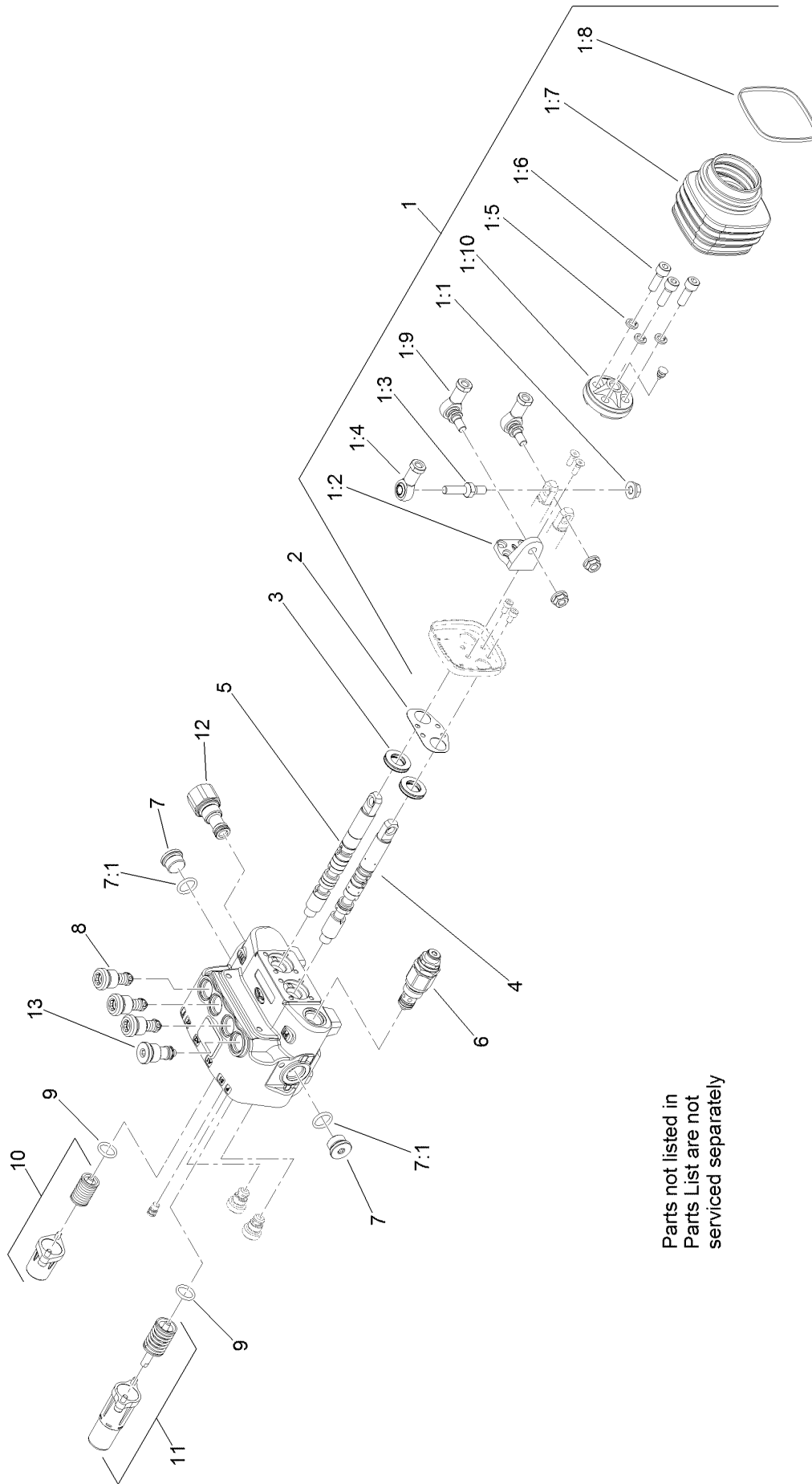
2-Spool Valve and Auxiliary Valve Assembly



2-Spool Valve and Auxiliary Valve Assembly (continued)

| <i>Ref.</i> | <i>Part Number</i> | <i>Qty.</i> | <i>Description</i> | <i>Ref.</i> | <i>Part Number</i> | <i>Qty.</i> | <i>Description</i> |
|-------------|--------------------|-------------|-----------------------|-------------|--------------------|-------------|---------------------|
| 1 | 130-7710 | 1 | 2 Spool Valve ASM | 32 | 127-9634 | 1 | Hose-Return |
| 3 | 322-4 | 3 | Screw-HH | 33 | 130-7565 | 1 | Hose-Return |
| 4 | 51-2070 | 1 | Nut | 34 | 130-7566 | 1 | Hose-Return |
| 5 | 121-4577 | 1 | Shaft-Handle | 35 | 353-954 | 1 | Fitting-Elbow, 90 |
| 6 | 340-2 | 4 | Fitting-Straight | 35:1 | 237-79 | 1 | O-Ring |
| 6:1 | 237-22 | 1 | O-Ring | 36 | 353-987 | 1 | Fitting-Elbow, 90 |
| 6:2 | 237-42 | 1 | O-Ring | 36:1 | 237-81 | 1 | O-Ring |
| 7 | 340-4 | 7 | Fitting-Straight | 37 | 130-1087 | 1 | Bracket-Auxiliary |
| 7:1 | 237-30 | 1 | O-Ring | 38 | 130-1083 | 1 | Rod-Auxiliary |
| 7:2 | 237-79 | 1 | O-Ring | 39 | 114-0249 | 1 | Spring-Extension |
| 9 | 340-109 | 1 | Fitting-Tee | 41 | 33114-035 | 1 | Screw-HH |
| 9:1 | 237-79 | 1 | O-Ring | 42 | 3296-29 | 3 | Nut-Lock, NI |
| 9:2 | 237-30 | 2 | O-Ring | 43 | 233-42 | 1 | Knob |
| 11 | 92-5821 | 1 | Head-Filter | 44 | 322-12 | 3 | Screw-HH |
| 12 | 321-4 | 2 | Screw-HH | 45 | 72-4310 | 1 | Switch-Ball |
| 13 | 86-3010 | 2 | Filter-Oil | 46 | 321-8 | 1 | Screw-HH |
| 14 | 100-4202 | 1 | Fitting-90 | 47 | 3296-42 | 1 | Nut-Lock, NI |
| 14:1 | 237-81 | 1 | O-Ring | 49 | 340-159 | 2 | Elbow-90 |
| 17 | 340-68 | 2 | Fitting-Tee, Bulkhead | 49:1 | 237-22 | 2 | O-Ring |
| 17:1 | 237-22 | 3 | O-Ring | 50 | 2412-129 | 4 | Clamp-Hose |
| 18 | 100-5616 | 1 | Fitting | 51 | 56-9530 | 1 | Fitting-HYD, 90 DEG |
| 19 | 354-79 | 1 | Cap-Dust | 51:1 | 237-117 | 1 | O-Ring |
| 23 | 233-21 | 1 | Knob | 52 | 127-9627 | 1 | Hose-Suction |
| 24 | 130-7562 | 1 | Valve-Auxiliary | 53 | AU375462A1 | 1 | Connector |
| 25 | 340-157 | 1 | Fitting-HYD, Tee | 53:1 | 237-81 | 1 | O-Ring |
| 25:1 | 237-79 | 1 | O-Ring | 54 | 127-9626 | 1 | Hose-Return |
| 25:2 | 237-30 | 2 | O-Ring | 55 | 2412-34 | 4 | Clamp-Hose |
| 26 | 340-70 | 2 | Nut-Lock | 56 | 120-0880 | 1 | Hose-HYD |
| 27 | 127-9629 | 1 | Hose-HYD | 57 | 33024-00 | 1 | Nut-Lock, NI |
| 29 | 127-9631 | 1 | Hose-HYD | 58 | 237-42 | 1 | O-Ring |
| 30 | 127-9632 | 1 | Hose-HYD | 59 | 3290-378 | 2 | Tie-Cable |
| 31 | 130-7597 | 1 | Hose-HYD | | | | |

2-Spool Valve Assembly No. 130-7710

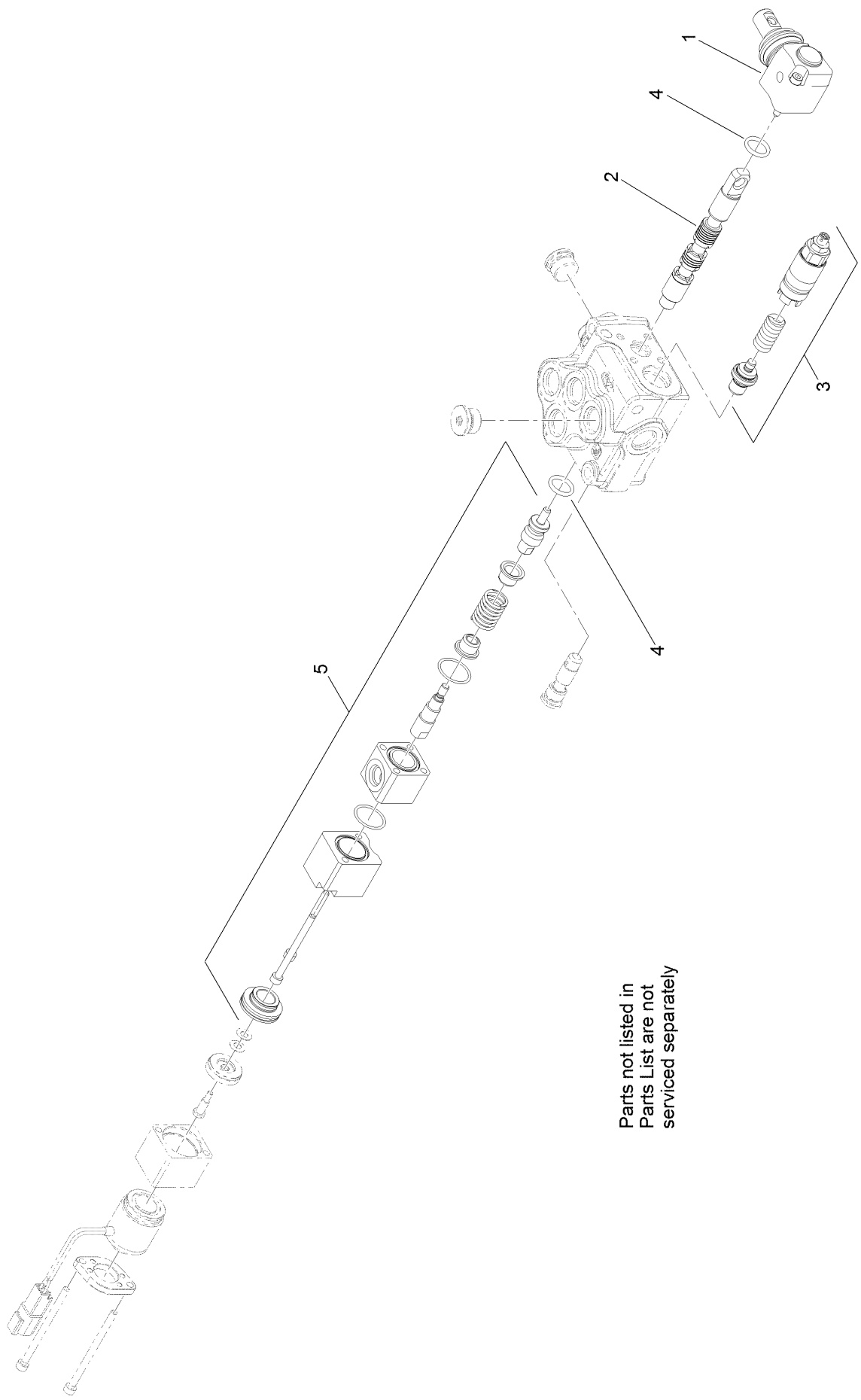


Parts not listed in
Parts List are not
serviced separately

2-Spool Valve Assembly No. 130-7710 (continued)

| <i>Ref.</i> | <i>Part Number</i> | <i>Qty.</i> | <i>Description</i> | <i>Ref.</i> | <i>Part Number</i> | <i>Qty.</i> | <i>Description</i> |
|-------------|--------------------|-------------|---------------------|-------------|--------------------|-------------|--------------------|
| 1 | 106-7724 | 1 | Joystick Kit | 3 | 106-7738 | 2 | Seal-Valve, Spool |
| 1:1 | 98-0668 | 3 | Nut | 4 | 106-7737 | 1 | Spool-Valve |
| 1:2 | 106-7726 | 1 | Pivot-Joystick | 5 | 106-7736 | 1 | Spool-Valve |
| 1:3 | 106-7727 | 1 | Pin-Joystick | 6 | 132-6031 | 1 | Valve-Relief, Main |
| 1:4 | 106-7728 | 1 | End-Rod | 7 | 353-988 | 2 | Plug-Hex |
| 1:5 | 42-9850 | 3 | Washer-Lock, Spring | 7:1 | 237-79 | 1 | O-Ring |
| 1:6 | 98-5828 | 3 | Screw-HSH | 8 | 106-7734 | 3 | Valve-Relief |
| 1:7 | 106-7729 | 1 | Bellow-Rubber | 9 | 106-7719 | 2 | Seal-Valve |
| 1:8 | 3290-379 | 1 | Tie-Cable | 10 | 106-7732 | 1 | Valve Spring Kit |
| 1:9 | 106-7730 | 2 | Joint-Joystick | 11 | 106-7733 | 1 | Detent Spring Kit |
| 1:10 | 106-7731 | 1 | Holder-Articulated | 12 | 132-6032 | 1 | Joint-SAE 8 |
| 2 | 106-7725 | 1 | Seal-Joystick | 13 | 132-6033 | 1 | Plug |

Auxiliary Valve Assembly No. 130-7562



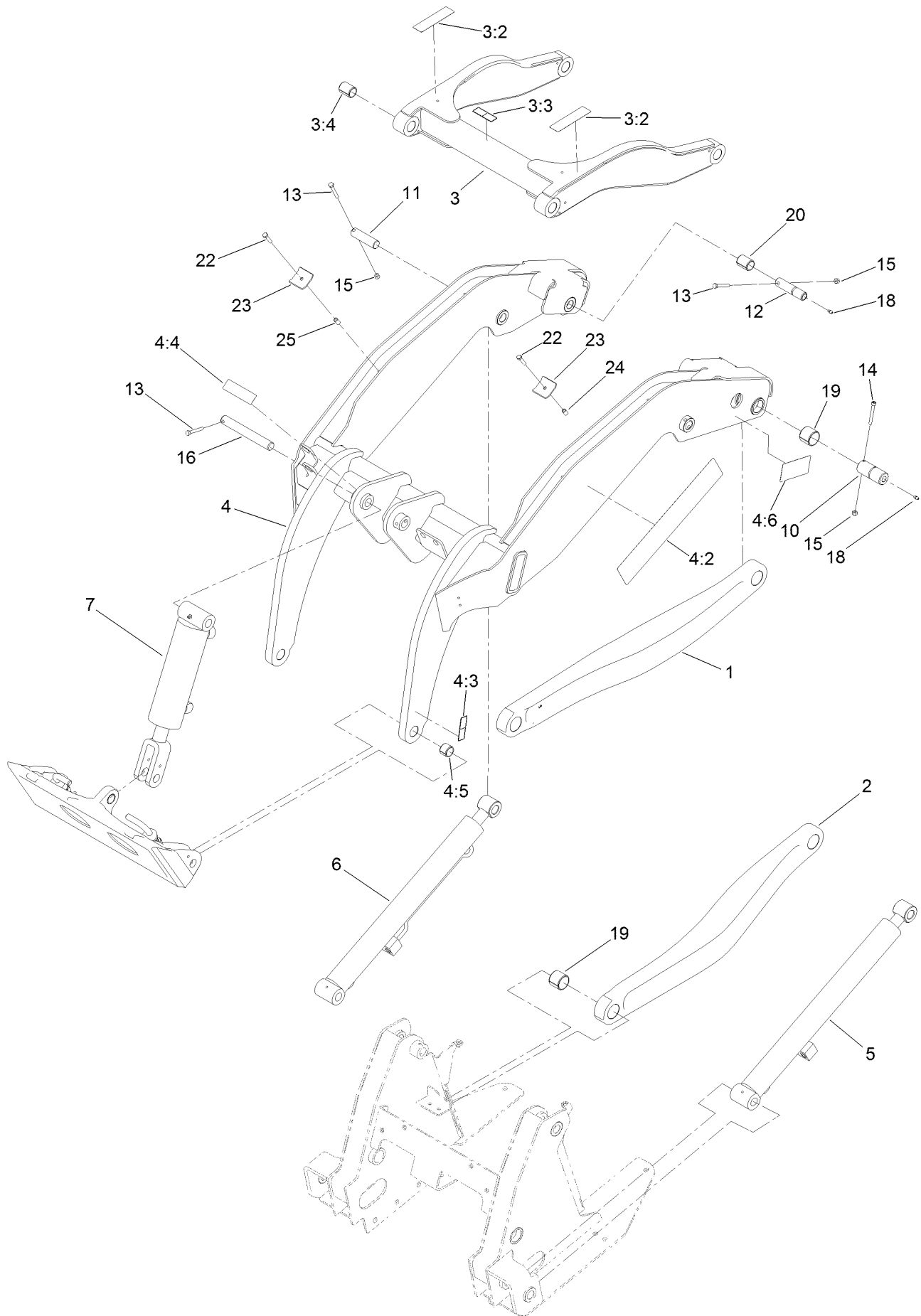
Parts not listed in
Parts List are not
serviced separately

Auxiliary Valve Assembly No. 130-7562 (continued)

| <i>Ref.</i> | <i>Part Number</i> | <i>Qty.</i> | <i>Description</i> |
|-------------|--------------------|-------------|-------------------------|
| 1 | 132-6038 | 1 | Lever Kit (With Screws) |
| 2 | 114-8624 | 1 | Valve-Spool |
| 3 | 132-6039 | 1 | Valve-Relief |

| <i>Ref.</i> | <i>Part Number</i> | <i>Qty.</i> | <i>Description</i> |
|-------------|--------------------|-------------|--------------------|
| 4 | 106-7719 | 2 | Seal-Valve |
| 5 | 132-6040 | 1 | Spring Kit |

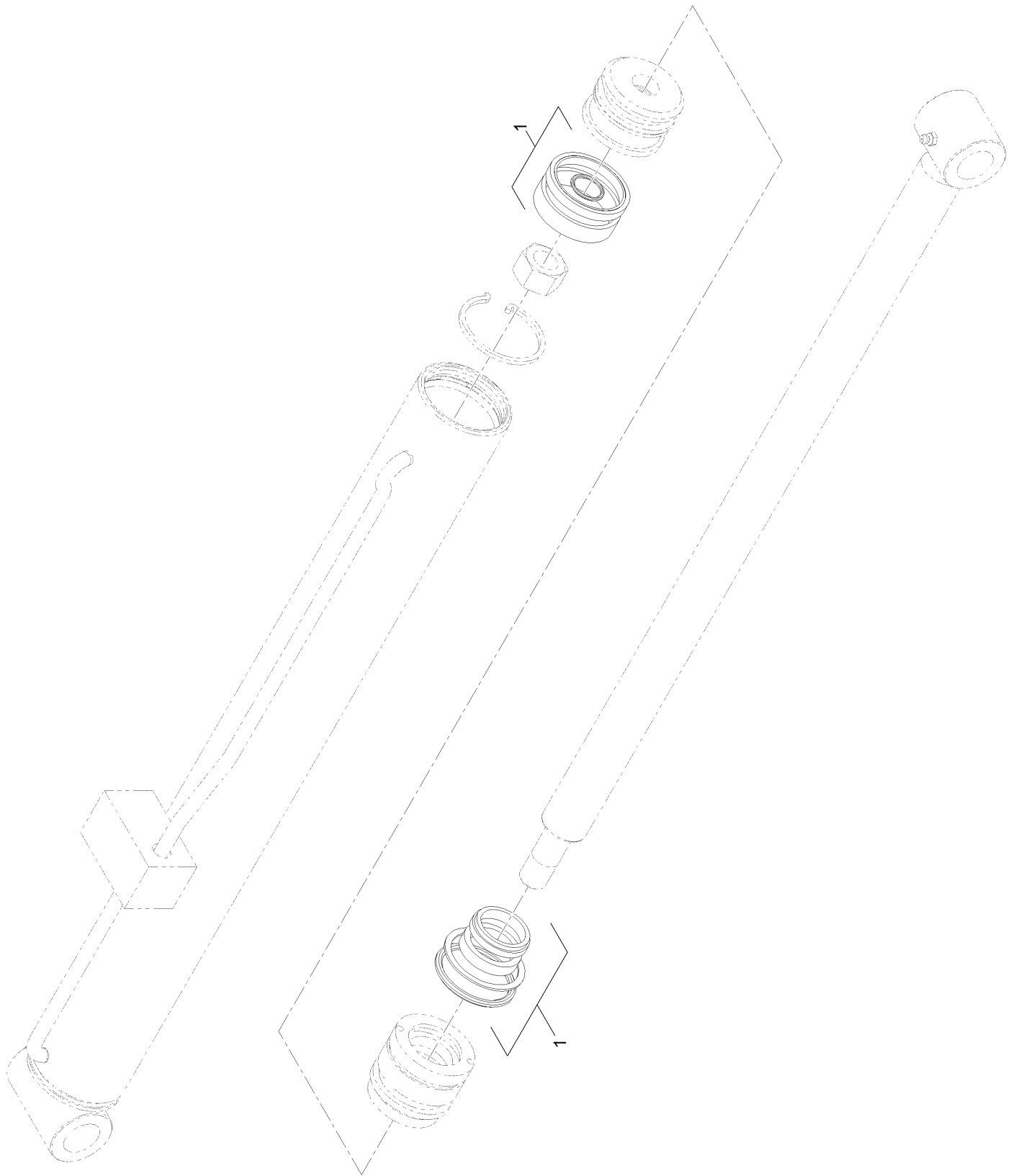
Loader Arm Assembly



Loader Arm Assembly (continued)

| <i>Ref.</i> | <i>Part Number</i> | <i>Qty.</i> | <i>Description</i> | <i>Ref.</i> | <i>Part Number</i> | <i>Qty.</i> | <i>Description</i> |
|-------------|--------------------|-------------|-------------------------|-------------|--------------------|-------------|----------------------|
| 1 | 130-5151-03 | 1 | Link-Lower, LH | 10 | 125-3748 | 2 | Pin-Arm |
| 2 | 130-5153-03 | 1 | Link-Lower, RH | 11 | 130-5178 | 2 | Pin-Pivot |
| 3 | 130-5318 | 1 | Link-Upper | 12 | 125-3695 | 2 | Pin-Link |
| 3:2 | 130-2836 | 2 | Decal-Warning, Crushing | 13 | 322-11 | 5 | Screw-HH |
| 3:3 | 120-0625 | 1 | Decal-Warning | 14 | 3274-40 | 2 | Screw-HSH |
| 3:4 | 130-5200 | 4 | Bushing-Spring | 15 | 3296-29 | 6 | Nut-Lock, NI |
| 4 | 130-5320 | 1 | Arm-Loader | 16 | 130-5210 | 1 | Pin-Locking |
| 4:2 | 130-5309 | 2 | Decal | 18 | 302-5 | 4 | Fitting-Grease |
| 4:3 | 120-0625 | 2 | Decal-Warning | 19 | 130-5199 | 4 | Bushing-Spring |
| 4:4 | 115-4855 | 1 | Decal-Caution | 20 | 130-5200 | 4 | Bushing-Spring |
| 4:5 | 98-4871 | 2 | Bushing-Tension | 22 | 5-1470 | 4 | Screw-HH |
| 4:6 | 131-0711 | 2 | Decal-Warning | 23 | 130-5221 | 4 | Plate-Holddown, Hose |
| 5 | 130-5176 | 1 | Cylinder-Lift, LH | 24 | 131-9150 | 2 | Spacer-Hose |
| 6 | 130-5175 | 1 | Cylinder-Lift, RH | 25 | 131-9151 | 2 | Spacer-Hose |
| 7 | 130-5195 | 1 | Cylinder-HYD, Dump | | | | |

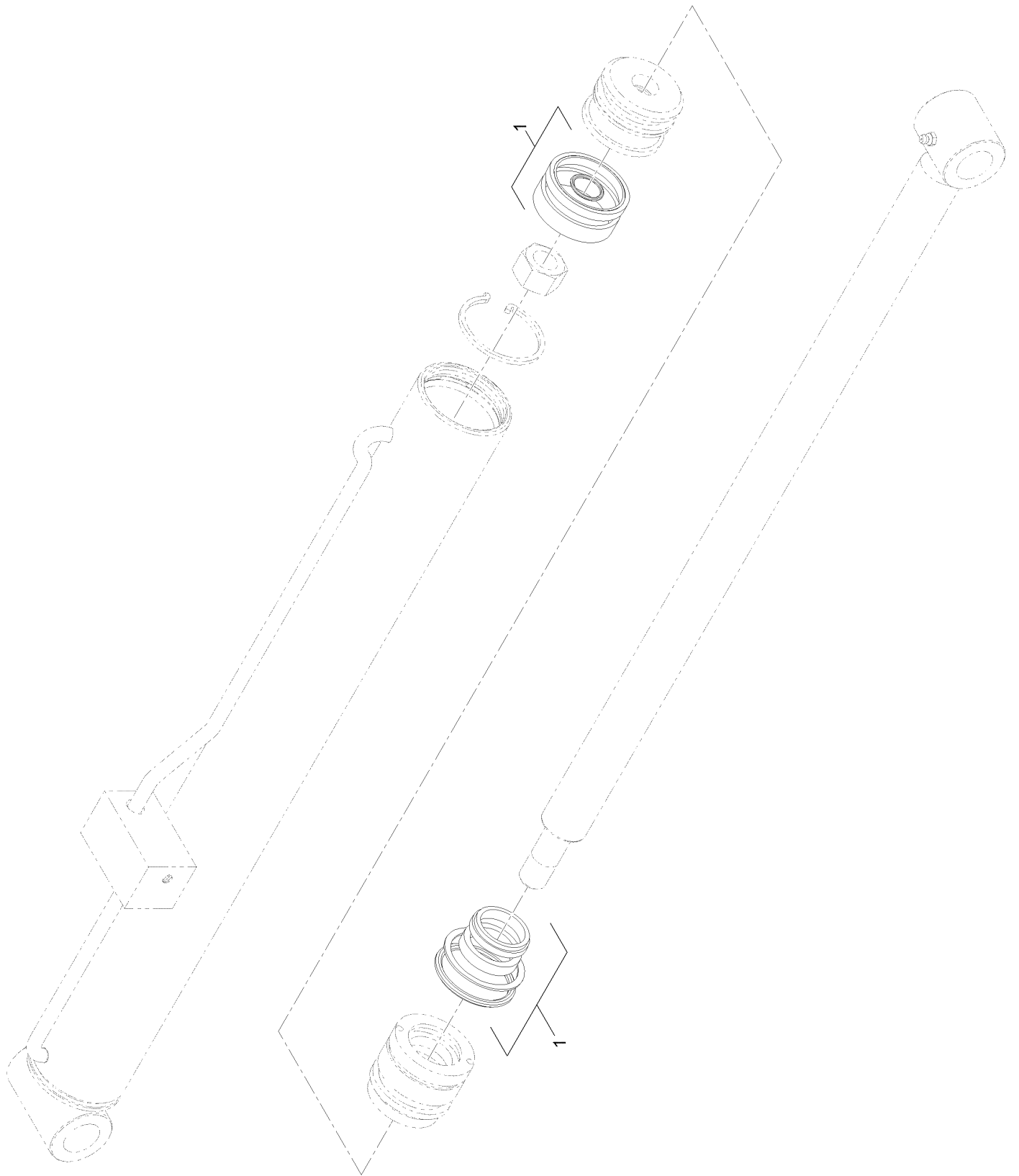
Hydraulic Cylinder Assembly No. 130-5176



Hydraulic Cylinder Assembly No. 130-5176 (continued)

| <i>Ref.</i> | <i>Part Number</i> | <i>Qty.</i> | <i>Description</i> |
|-------------|--------------------|-------------|--------------------|
| 1 | 132-6029 | 1 | Seal Kit |

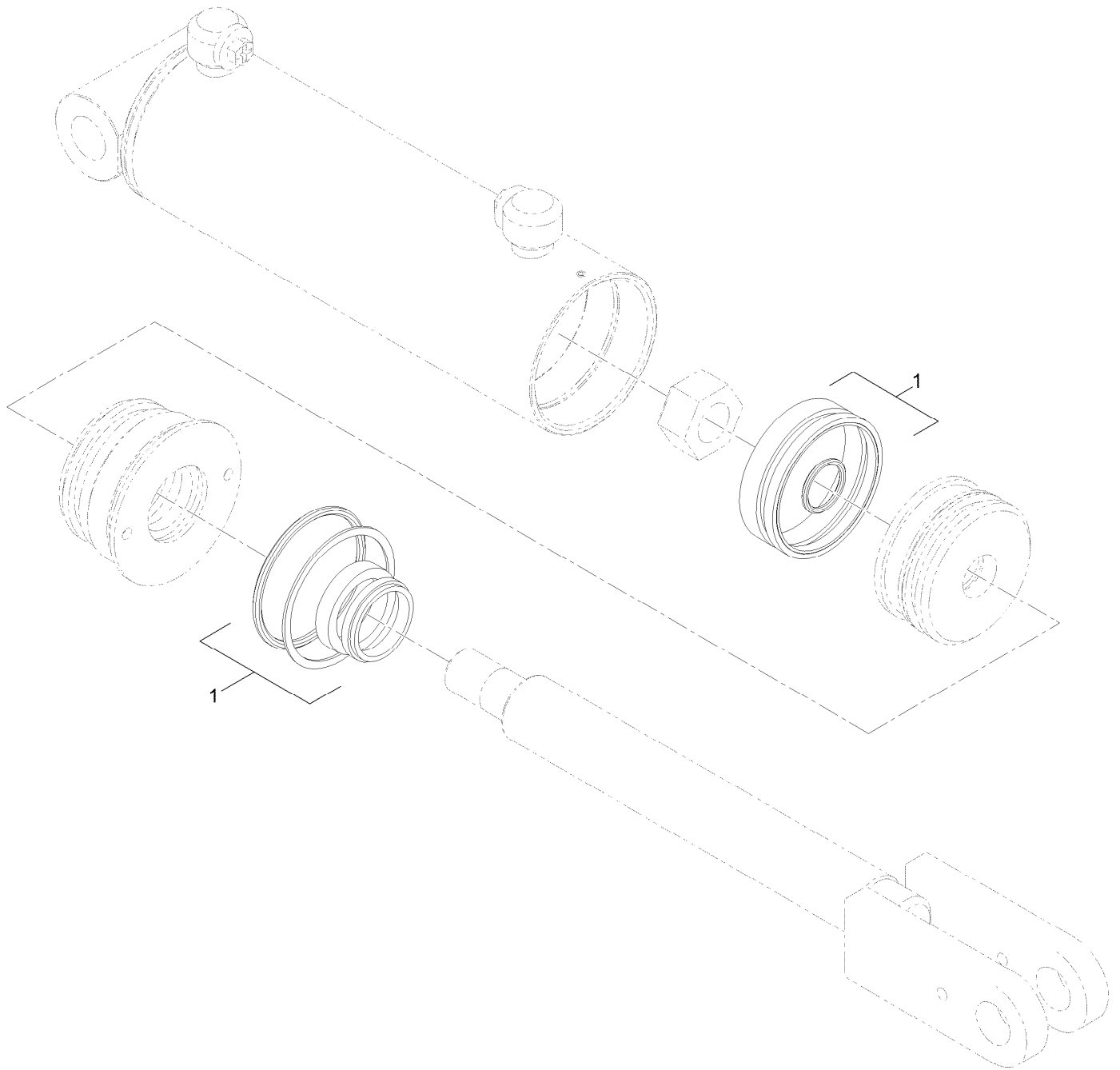
Hydraulic Cylinder Assembly No. 130-5175



Hydraulic Cylinder Assembly No. 130-5175 (continued)

| <i>Ref.</i> | <i>Part Number</i> | <i>Qty.</i> | <i>Description</i> |
|-------------|--------------------|-------------|--------------------|
| 1 | 132-6029 | 1 | Seal Kit |

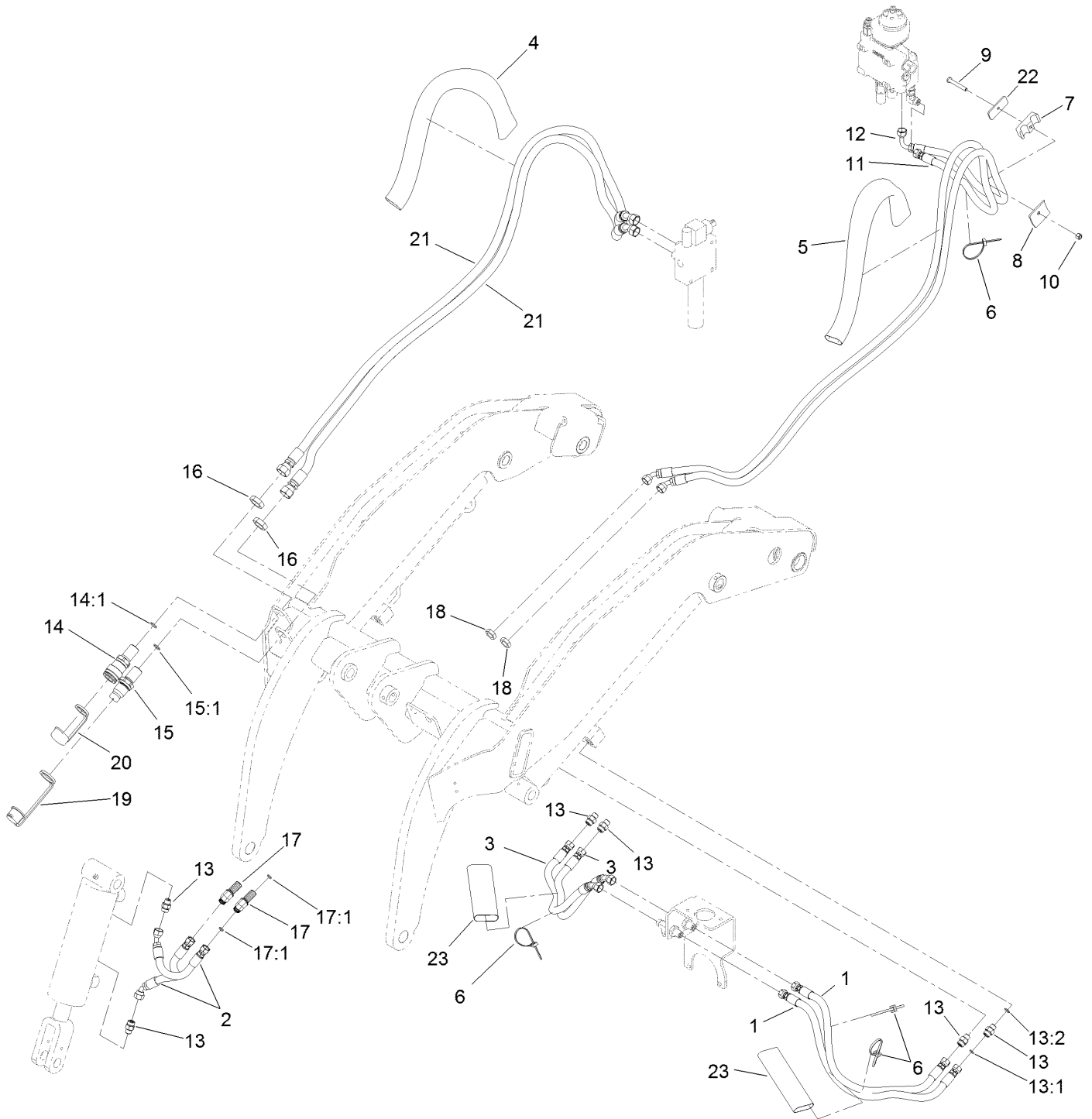
Hydraulic Cylinder Assembly No. 130-5195



Hydraulic Cylinder Assembly No. 130-5195 (continued)

| <i>Ref.</i> | <i>Part Number</i> | <i>Qty.</i> | <i>Description</i> |
|-------------|--------------------|-------------|--------------------|
| 1 | 132-6030 | 1 | Seal Kit |

Loader Hydraulic Assembly

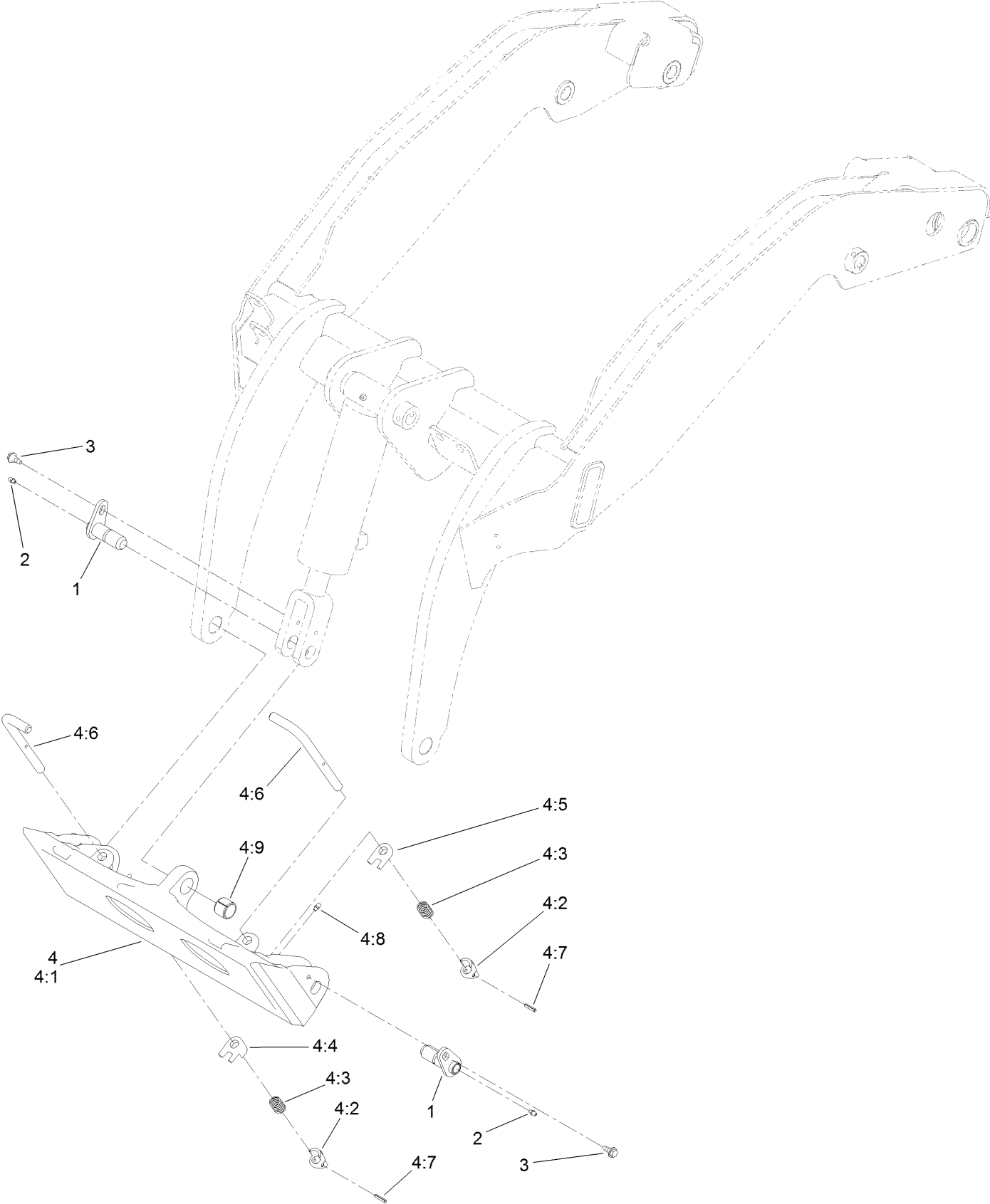


Loader Hydraulic Assembly (continued)

| <i>Ref.</i> | <i>Part Number</i> | <i>Qty.</i> | <i>Description</i> | <i>Ref.</i> | <i>Part Number</i> | <i>Qty.</i> | <i>Description</i> |
|-------------|--------------------|-------------|----------------------|-------------|--------------------|-------------|------------------------|
| 1 | 127-9639 | 2 | Hose-HYD | 14 | 105-8394 | 1 | Bulkhead Coupler ASM |
| 2 | 127-9637 | 2 | Hose-HYD | 14:1 | 237-65 | 1 | O-Ring |
| 3 | 127-9638 | 2 | Hose-HYD | 15 | 105-8395 | 1 | Bulkhead Nipple ASM |
| 4 | 130-7718 | 1 | Sleeve-Protective | 15:1 | 237-65 | 1 | O-Ring |
| 5 | 100-6128 | 1 | Sleeve-Protective | 15:2 | 100-6120 | 1 | Seal Kit ● |
| 6 | 3290-378 | 4 | Tie-Cable | 16 | 340-74 | 2 | Nut-Lock, Bulkhead |
| 7 | 94-8105 | 2 | Clamp-Tube | 17 | 340-69 | 2 | Elbow-Bulkhead, 45 DEG |
| 8 | 130-5221 | 2 | Plate-Holddown, Hose | 17:1 | 237-22 | 2 | O-Ring |
| 9 | 9114524 | 2 | Bolt-TAP, HH | 18 | 340-70 | 2 | Nut-Lock |
| 10 | 3296-29 | 2 | Nut-Lock, NI | 19 | 100-8815 | 1 | Cap-Dust, Nipple |
| 11 | 127-9633 | 1 | Hose-HYD | 20 | 100-8816 | 1 | Cap-Dust, Coupler |
| 12 | 130-7598 | 1 | Hose-HYD | 21 | 127-9630 | 2 | Hose-HYD |
| 13 | 340-2 | 6 | Fitting-Straight | 22 | 131-9152 | 2 | Plate-Clamp, Hose |
| 13:1 | 237-22 | 1 | O-Ring | 23 | 130-7749 | 2 | Sleeve-Protective |
| 13:2 | 237-42 | 1 | O-Ring | | | | |

● Not illustrated

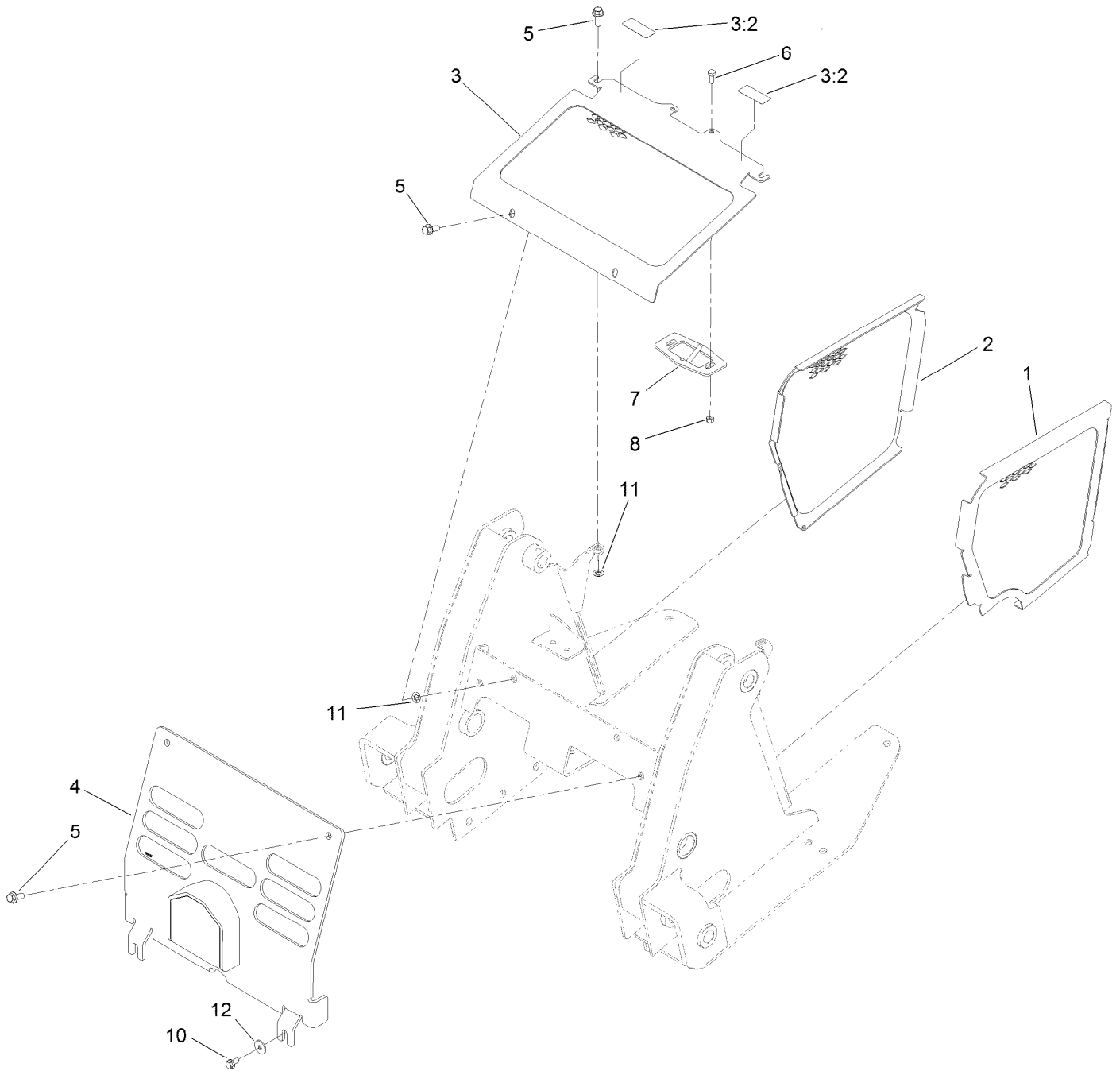
Quick Attach Assembly



Quick Attach Assembly (continued)

| <i>Ref.</i> | <i>Part Number</i> | <i>Qty.</i> | <i>Description</i> | <i>Ref.</i> | <i>Part Number</i> | <i>Qty.</i> | <i>Description</i> |
|-------------|--------------------|-------------|--------------------|-------------|--------------------|-------------|--------------------|
| 1 | 130-5222 | 3 | Pin-Pivot | 4:4 | 104-5909 | 1 | Stop-RH |
| 2 | 302-5 | 3 | Fitting-Grease | 4:5 | 104-5903 | 1 | Stop-LH |
| 3 | 99-5105 | 3 | Bolt-Shoulder | 4:6 | 132-8419 | 2 | Pin-Locking |
| 4 | 132-8418 | 1 | Quick Attach ASM | 4:7 | 3285-1 | 2 | Pin-Grooved |
| 4:1 | 130-7708-03 | 1 | Mount-Qtach | 4:8 | 302-5 | 2 | Fitting-Grease |
| 4:2 | 105-0246 | 2 | Cam | 4:9 | 98-4871 | 1 | Bushing-Tension |
| 4:3 | 98-4694 | 2 | Spring-Compression | | | | |

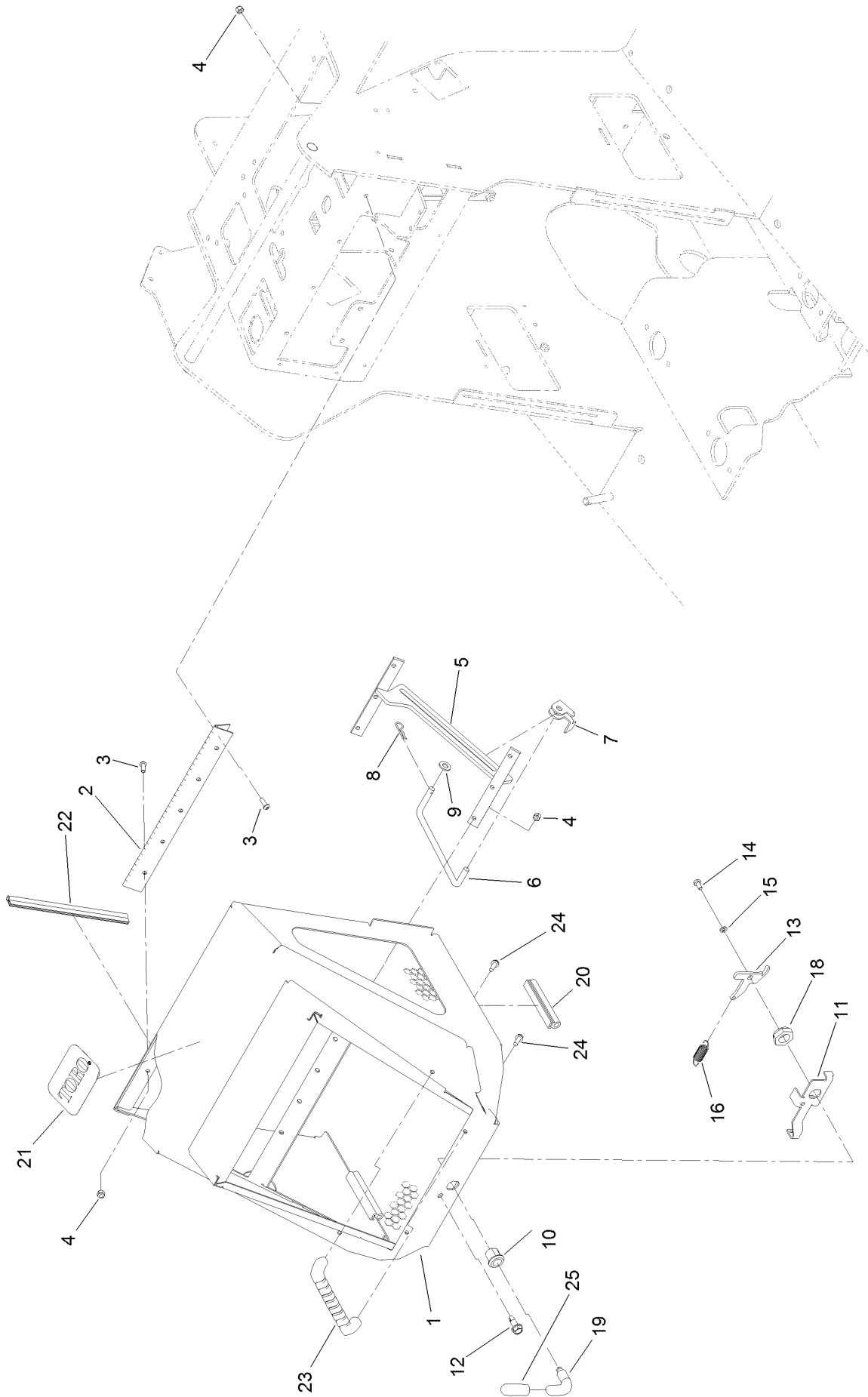
Front Cover and Side Panel Assembly



Front Cover and Side Panel Assembly (continued)

| <i>Ref.</i> | <i>Part Number</i> | <i>Qty.</i> | <i>Description</i> | <i>Ref.</i> | <i>Part Number</i> | <i>Qty.</i> | <i>Description</i> |
|-------------|--------------------|-------------|--------------------|-------------|--------------------|-------------|--------------------|
| 1 | 132-1734-03 | 1 | Panel-Side, LH | 6 | 322-3 | 2 | Screw-HH |
| 2 | 132-1733-03 | 1 | Panel-Side, RH | 7 | 130-5239-03 | 1 | Hood Latch/Rod ASM |
| 3 | 130-5324 | 1 | Cover-Top | 8 | 3296-29 | 2 | Nut-Lock, NI |
| 3:2 | 115-2047 | 2 | Decal-Surface, Hot | 10 | 3234-14 | 2 | Screw-HHF |
| 4 | 131-9211-03 | 1 | Cover-Front | 11 | 107-3154 | 4 | Nut-Push |
| 5 | 3234-42 | 6 | Screw-HHF | 12 | 115-7109 | 2 | Washer-Flat |

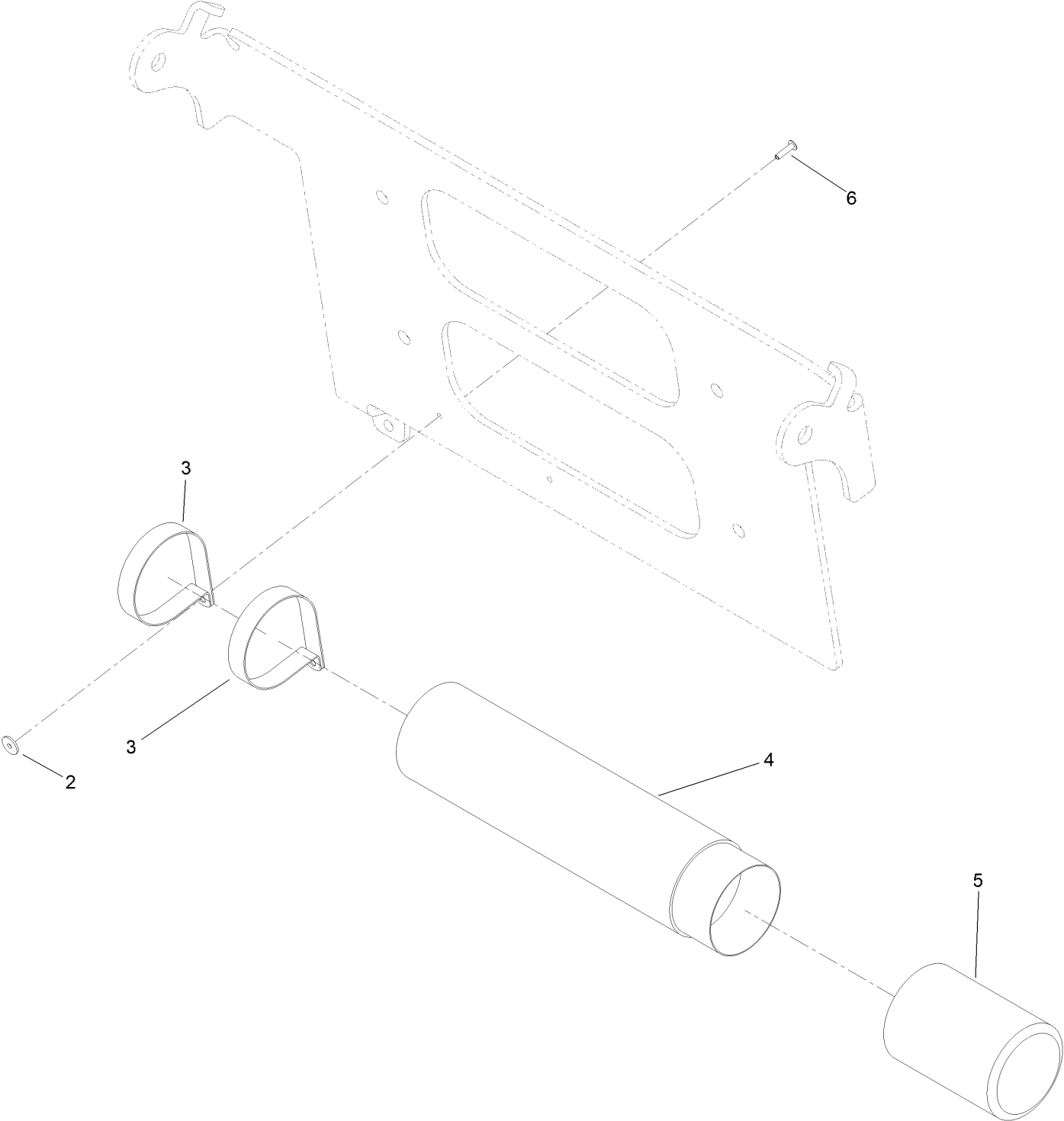
Hood Assembly



Hood Assembly (continued)

| <i>Ref.</i> | <i>Part Number</i> | <i>Qty.</i> | <i>Description</i> | <i>Ref.</i> | <i>Part Number</i> | <i>Qty.</i> | <i>Description</i> |
|-------------|--------------------|-------------|------------------------|-------------|--------------------|-------------|--------------------|
| 1 | 130-5298-03 | 1 | Engine Hood ASM | 13 | 130-5233 | 1 | Cam-Hooked |
| 2 | 100-1284 | 1 | Hinge-Hood | 14 | 321-2 | 1 | Screw-HH |
| 3 | 3274-69 | 12 | Screw-HSBH | 15 | 3253-3 | 1 | Washer-Lock |
| 4 | 3296-42 | 12 | Nut-Lock, NI | 16 | 104-0869 | 1 | Spring |
| 5 | 130-5228-03 | 1 | Bracket-Prop, Hood | 18 | 3296-60 | 1 | Nut-Lock, NI |
| 6 | 108-6357 | 1 | Rod-Support, Hood | 19 | 108-5639 | 1 | Handle-Latch |
| 7 | 115-0714 | 1 | Bracket-Latch, Locking | 20 | 130-5248 | 2 | Pad-Hood |
| 8 | 3290-250 | 1 | Pin-Cotter | 21 | 117-0871 | 1 | Decal |
| 9 | 3256-24 | 1 | Washer-Flat | 22 | 130-5345 | 1 | Trim-Seal, Bulb |
| 10 | 106-9335 | 1 | Housing-Latch | 23 | 65-5100 | 2 | Handle-Door |
| 11 | 130-5232-03 | 1 | Bracket-Latch | 24 | 46-8091 | 4 | Screw-HWH |
| 12 | 105-6245 | 1 | Screw-Tapping | 25 | 133-0206 | 1 | Grip-Lever, Hood |

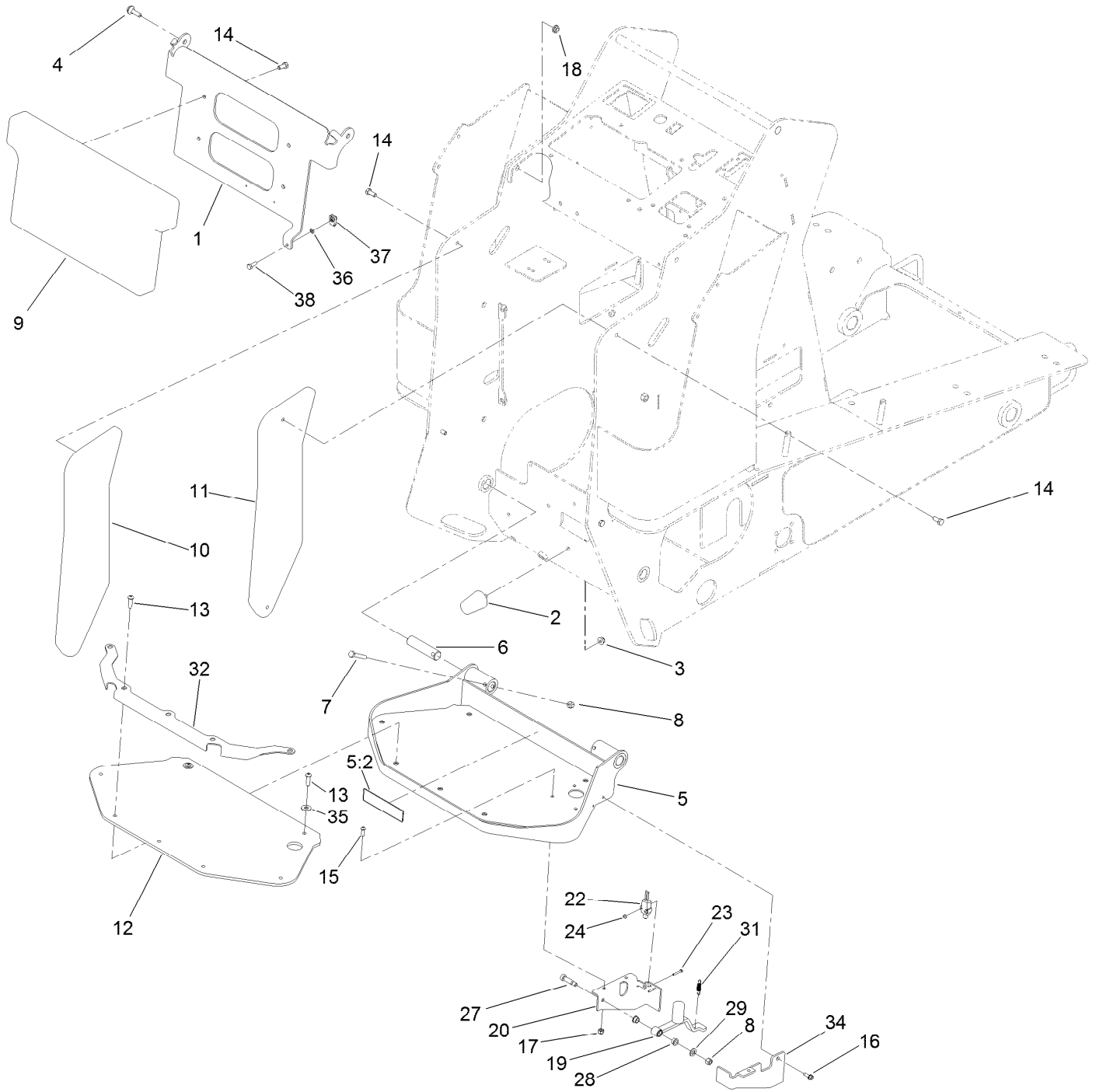
Manual Tube Assembly



Manual Tube Assembly (continued)

| <i>Ref.</i> | <i>Part Number</i> | <i>Qty.</i> | <i>Description</i> | <i>Ref.</i> | <i>Part Number</i> | <i>Qty.</i> | <i>Description</i> |
|-------------|--------------------|-------------|--------------------|-------------|--------------------|-------------|--------------------|
| 2 | 3269-10 | 2 | Washer-Back | 5 | 104-7048 | 1 | Cap-Housing |
| 3 | 2412-120 | 2 | Clamp-R | 6 | 3269-17 | 2 | Rivet-Pop |
| 4 | 104-7050 | 1 | Tube-Manual | | | | |

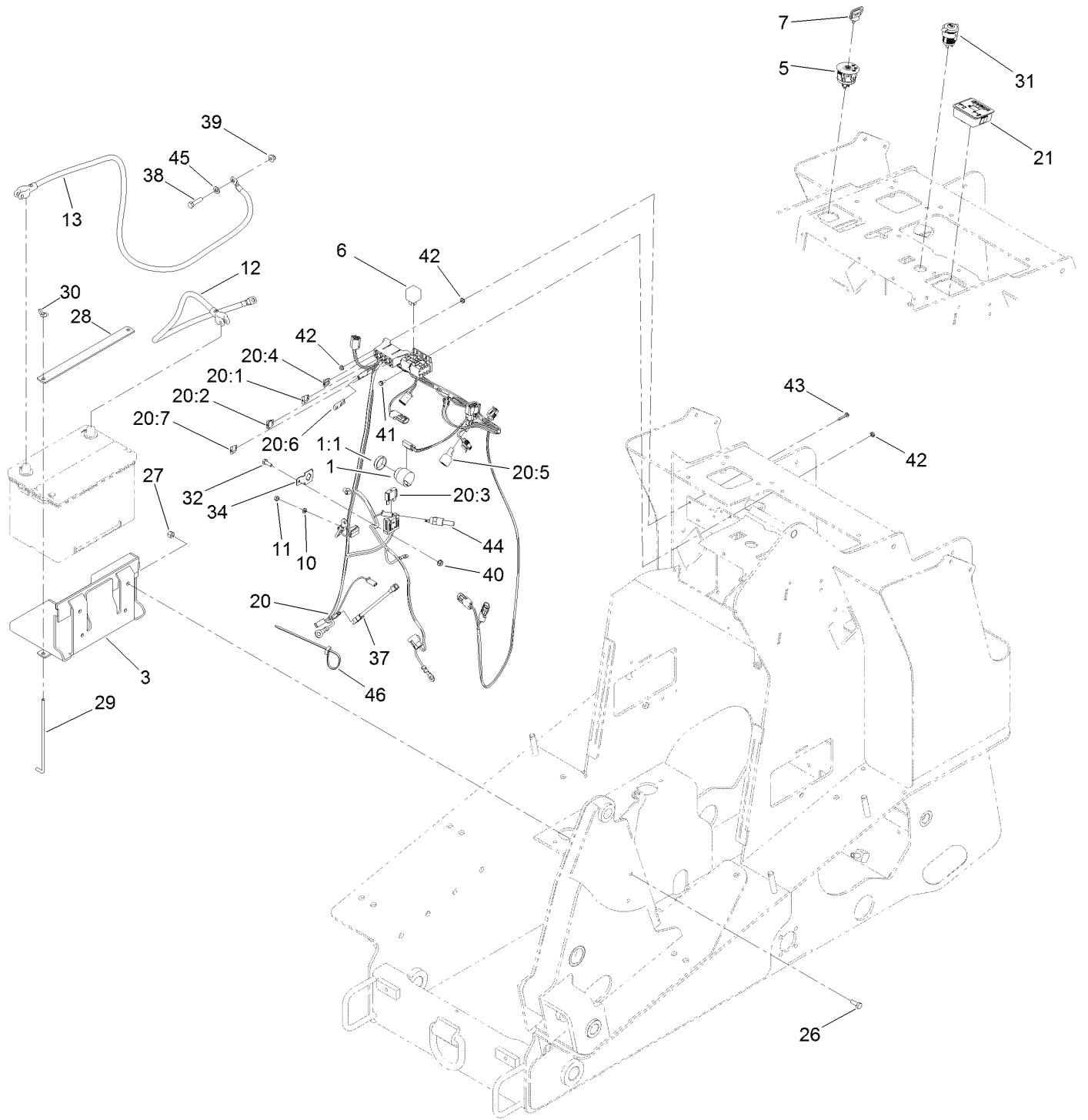
Platform and Cushion Assembly



Platform and Cushion Assembly (continued)

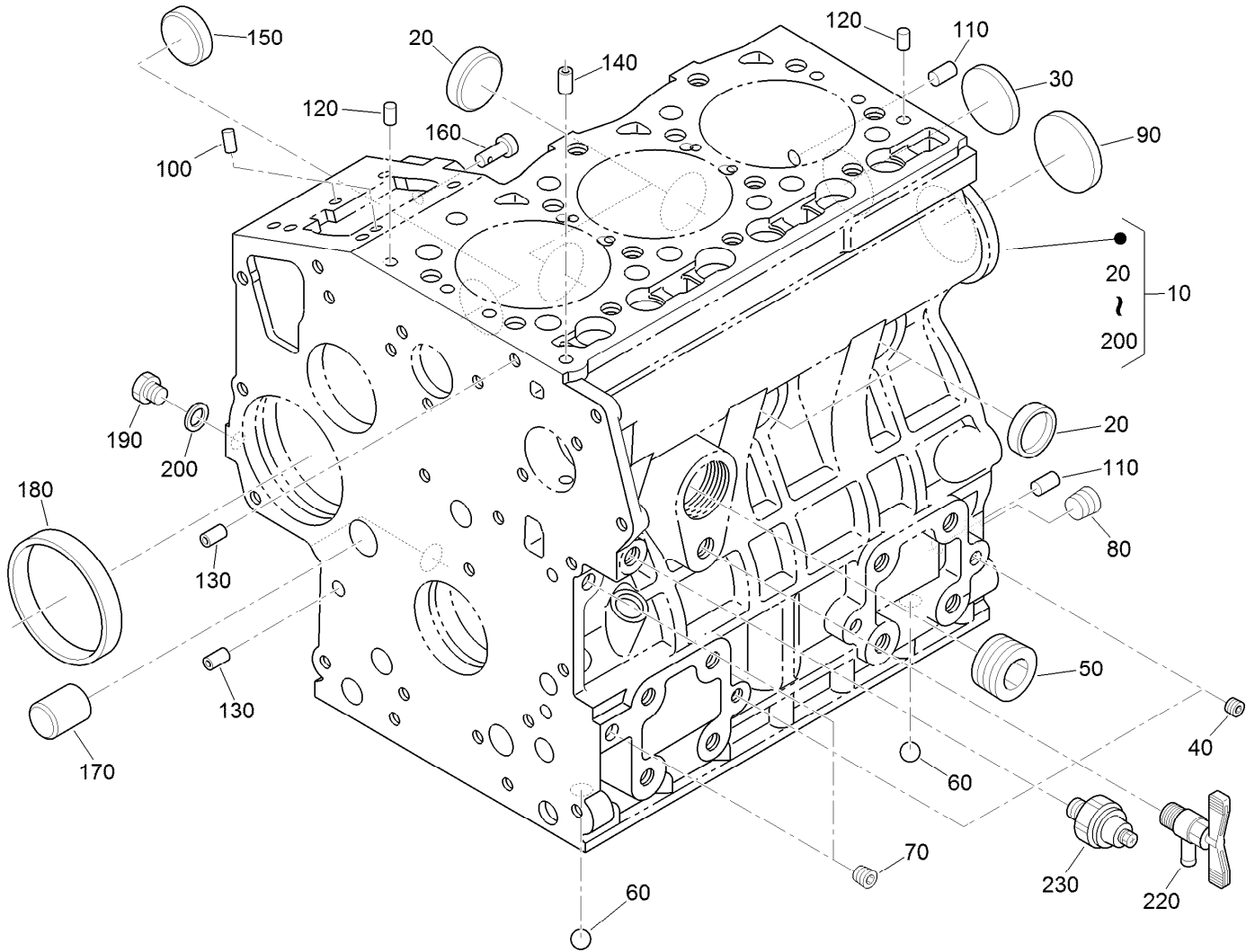
| <i>Ref.</i> | <i>Part Number</i> | <i>Qty.</i> | <i>Description</i> | <i>Ref.</i> | <i>Part Number</i> | <i>Qty.</i> | <i>Description</i> |
|-------------|--------------------|-------------|---------------------|-------------|--------------------|-------------|-------------------------|
| 1 | 132-6026-03 | 1 | Hinge-Pad | 17 | 3296-42 | 3 | Nut-Lock, NI |
| 2 | 110-5070 | 3 | Bumper | 18 | 32128-20 | 2 | Nut-HF |
| 3 | 104-8300 | 3 | Nut-HF, NI | 19 | 130-5293 | 1 | Lever-Switch, Auxiliary |
| 4 | 108-3744 | 2 | Screw-Shoulder | 20 | 130-5310-03 | 1 | Bracket-Switch, LH |
| 5 | 130-5322 | 1 | Platform | 22 | 95-8900 | 1 | Switch |
| 5:2 | 131-0709 | 1 | Decal-Parking Brake | 23 | 32105-9 | 2 | Screw |
| 6 | 125-3749 | 2 | Pin-Pivot | 24 | 3296-9 | 2 | Nut-Hex |
| 7 | 322-10 | 2 | Screw-HH | 27 | 114-8629 | 1 | Bolt-Shoulder |
| 8 | 3296-29 | 3 | Nut-Lock, NI | 28 | 1-603735 | 2 | Bushing-Flanged |
| 9 | 130-1042 | 1 | Cushion-Pad | 29 | 3256-45 | 1 | Washer-Flat |
| 10 | 130-1043 | 1 | Cushion-Pad | 31 | 59-3660 | 1 | Spring |
| 11 | 130-1044 | 1 | Cushion-Pad | 32 | 130-5313-03 | 1 | Plate-Clamp |
| 12 | 130-1054 | 1 | Pad-Foot | 34 | 130-5311-03 | 1 | Bracket-Switch, RH |
| 13 | 109-4872 | 7 | Screw-HSH | 35 | 3256-3 | 2 | Washer-Flat |
| 14 | 322-3 | 8 | Screw-HH | 36 | 1-803037 | 1 | Nut-Retaining |
| 15 | 3274-69 | 3 | Screw-HSBH | 37 | 107069 | 1 | Clip |
| 16 | 32104-95 | 1 | Screw-HWH | 38 | 321-4 | 1 | Screw-HH |

Electrical Assembly



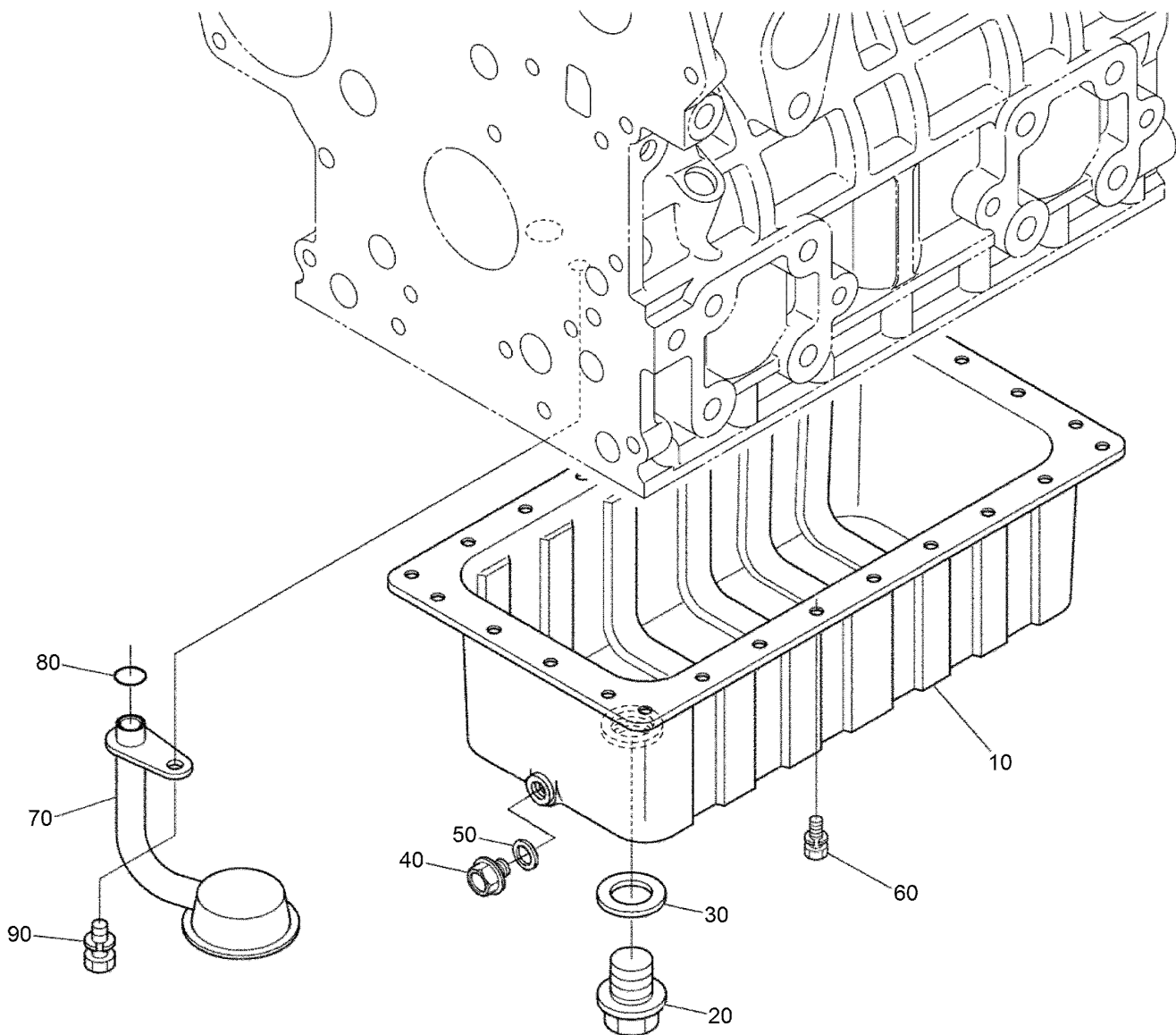
Electrical Assembly (continued)

| <i>Ref.</i> | <i>Part Number</i> | <i>Qty.</i> | <i>Description</i> | <i>Ref.</i> | <i>Part Number</i> | <i>Qty.</i> | <i>Description</i> |
|-------------|--------------------|-------------|-------------------------|-------------|--------------------|-------------|--------------------------|
| 1 | 80-9330 | 1 | Audio Alarm ASM | 26 | 322-4 | 4 | Screw-HH |
| 1:1 | 104-5107 | 1 | Nut-Plastic, Knurled | 27 | 3296-29 | 4 | Nut-Lock, NI |
| 3 | 130-5236-03 | 1 | Tray-Battery | 28 | 131-9177-03 | 1 | Strap-Hold Down, Battery |
| 5 | 110-6764 | 1 | Switch-Ignition | 29 | 130-5220 | 2 | Rod-Hold Down, Battery |
| 6 | 1-643275 | 2 | Relay | 30 | 1-803038 | 2 | Wingnut |
| 7 | 63-8360 | 2 | Key-Ignition | 31 | 109-9376 | 1 | Receptacle-12V |
| 10 | 43-5930 | 1 | Washer-Lock, Spring | 32 | 321-4 | 1 | Screw-HH |
| 11 | 43-2830 | 1 | Nut-Hex | 34 | 114-5502 | 1 | Clip-Fuse |
| 12 | 105-0114 | 1 | Cable-Battery, Positive | 37 | 112-2463 | 1 | Harness-Link, Fusible |
| 13 | 104-0761 | 1 | Cable-Negative | 38 | 322-6 | 1 | Screw-HH |
| 20 | 127-9605 | 1 | Harness-Wire | 39 | 104-8300 | 1 | Nut-HF, NI |
| 20:1 | 218-578 | 1 | Fuse-Blade, 10 Amp | 40 | 32128-33 | 1 | Nut-HF |
| 20:2 | 109355 | 1 | Fuse-Blade, 15 Amp | 41 | 3290-321 | 2 | Screw-HWH |
| 20:3 | 94-8002 | 1 | Fuse-Blade, 50 Amp | 42 | 32149-7 | 6 | Nut-Keps |
| 20:4 | 114241 | 1 | Fuse-Blade, 7.5 Amp | 43 | 117-1701 | 2 | Screw-HWHTF |
| 20:5 | 103-3895 | 1 | Diode | 44 | 98-3825 | 1 | Switch-Temp |
| 20:6 | 116-0053 | 1 | Cap-Plug | 45 | 3256-23 | 1 | Washer-Plain |
| 20:7 | 109101 | 1 | Fuse-Blade, 20 Amp | 46 | 3290-378 | 1 | Tie-Cable |
| 21 | 130-7635 | 1 | Module-Hour Meter | | | | |



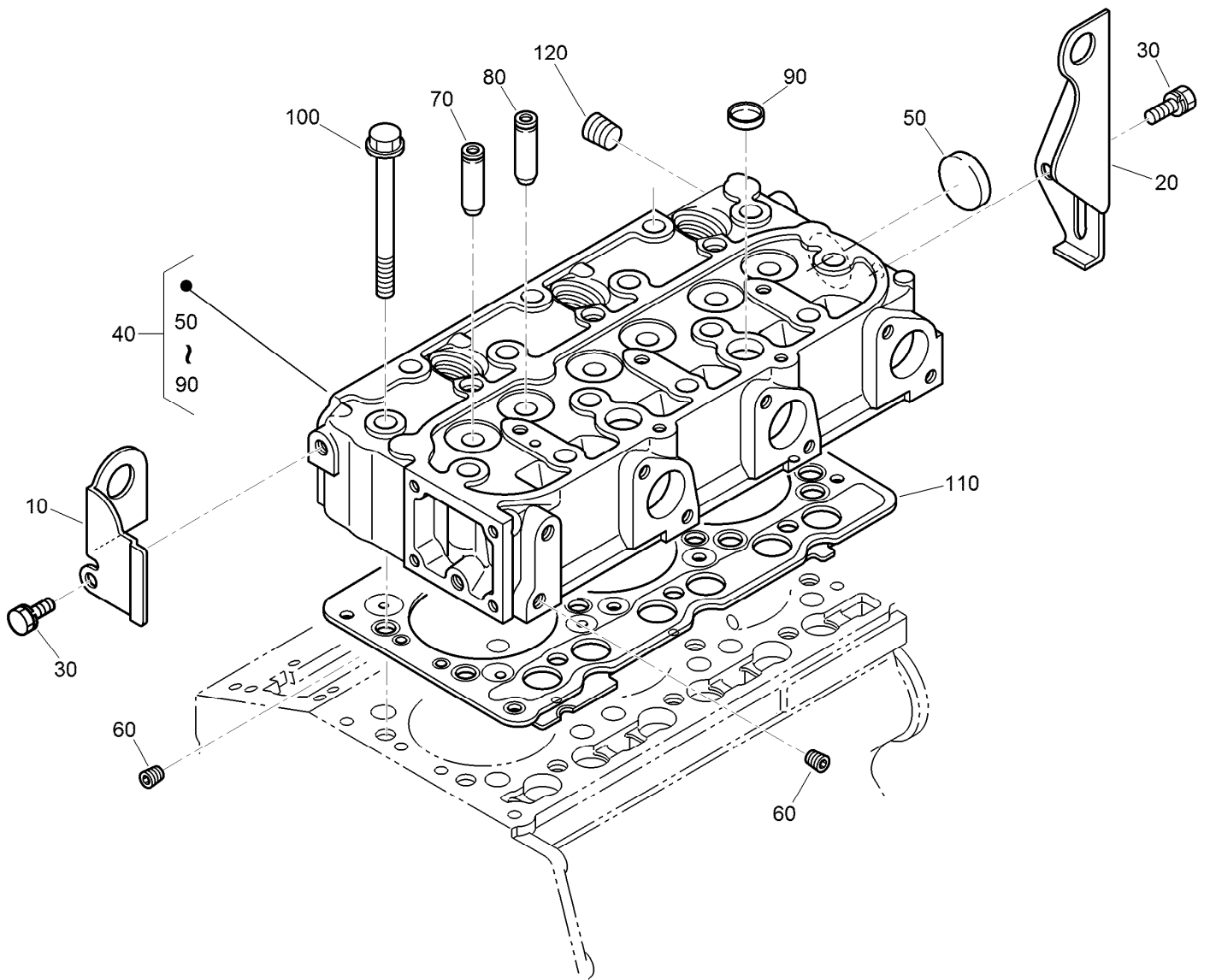
Crankcase Assembly

| <i>Ref.</i> | <i>Part Number</i> | <i>Qty.</i> | <i>Description</i> | <i>Ref.</i> | <i>Part Number</i> | <i>Qty.</i> | <i>Description</i> |
|-------------|--------------------|-------------|--------------------|-------------|--------------------|-------------|------------------------|
| 10 | 117-8800 | 1 | Crankcase ASM | 120 | 98-9376 | 2 | Pin-Straight |
| 20 | 98-9398 | 4 | Cap-Sealing | 130 | 98-9387 | 2 | Pin-Pipe |
| 30 | 98-7539 | 1 | Cap-Sealing | 140 | 98-9539 | 1 | Pin-Pipe |
| 40 | 98-7540 | 6 | Plug | 150 | 98-9599 | 1 | Plug |
| 50 | 105-3779 | 1 | Plug | 160 | 98-9630 | 1 | Pin-Spring, Start |
| 60 | 98-9380 | 2 | Ball | 170 | 98-9675 | 1 | Plug |
| 70 | 98-7487 | 2 | Plug | 180 | 98-9656 | 1 | Bushing-Governor, Gear |
| 80 | 98-7488 | 1 | Plug | 190 | 120-2559 | 1 | Plug |
| 90 | 98-9668 | 1 | Plug-Expansion | 200 | 98-7428 | 1 | Gasket |
| 100 | 98-9375 | 2 | Pin-Straight | 220 | 131-9563 | 1 | Cock ASM |
| 110 | 98-9377 | 2 | Pin-Straight | 230 | 98-9416 | 1 | Switch-Oil |



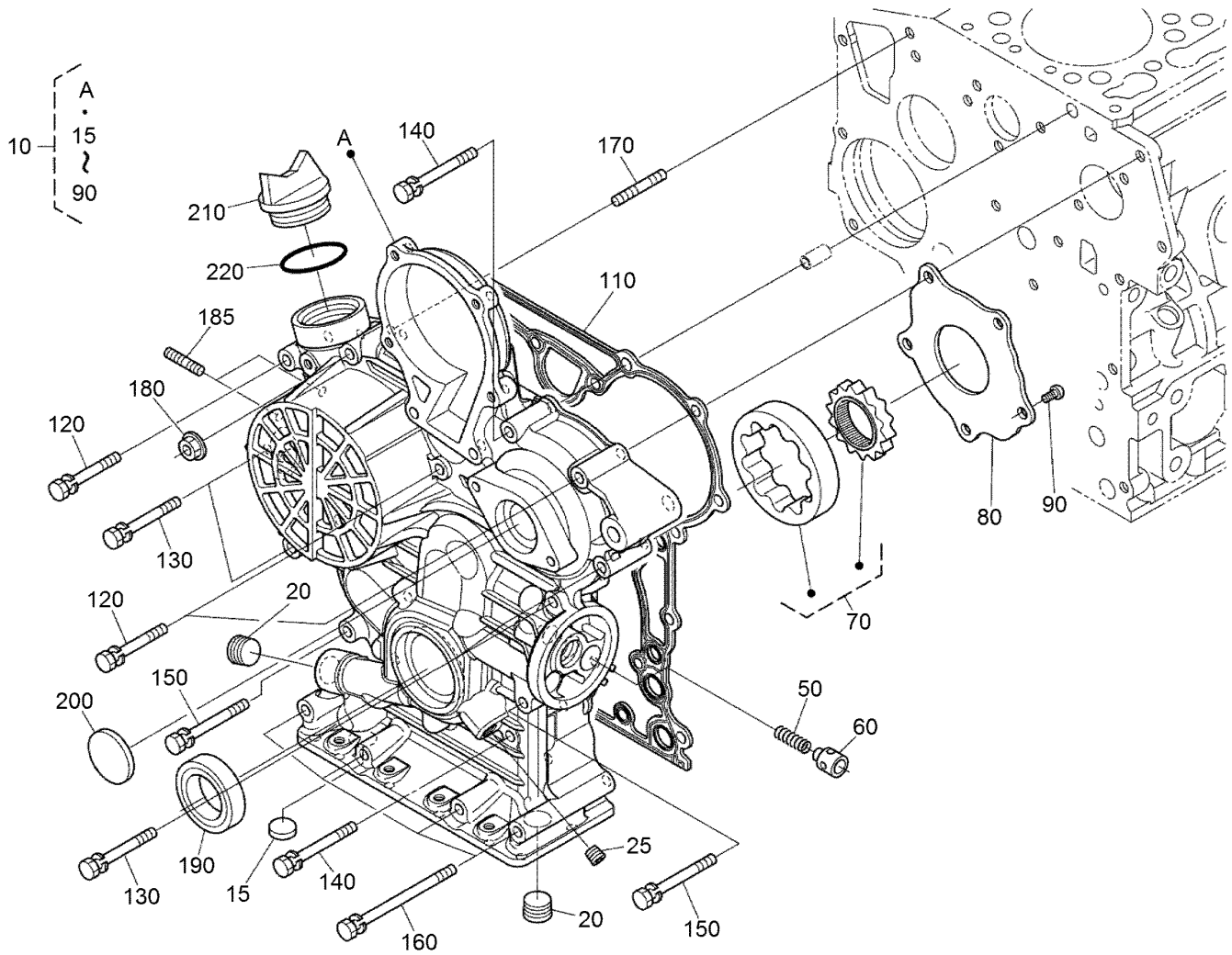
Oil Pan Assembly

| <i>Ref.</i> | <i>Part Number</i> | <i>Qty.</i> | <i>Description</i> |
|-------------|--------------------|-------------|--------------------|
| 10 | 132-4940 | 1 | Oil Pan ASM |
| 20 | 98-9686 | 1 | Plug-Drain |
| 30 | 110-9715 | 1 | Gasket-Pan, Oil |
| 40 | 114-8151 | 1 | Plug-Drain |
| 50 | 98-7524 | 1 | Gasket |
| 60 | 98-9351 | 26 | Bolt |
| 70 | 132-4939 | 1 | Screen-Filter, Oil |
| 80 | 105-3776 | 1 | O-Ring |
| 90 | 98-7526 | 1 | Bolt |



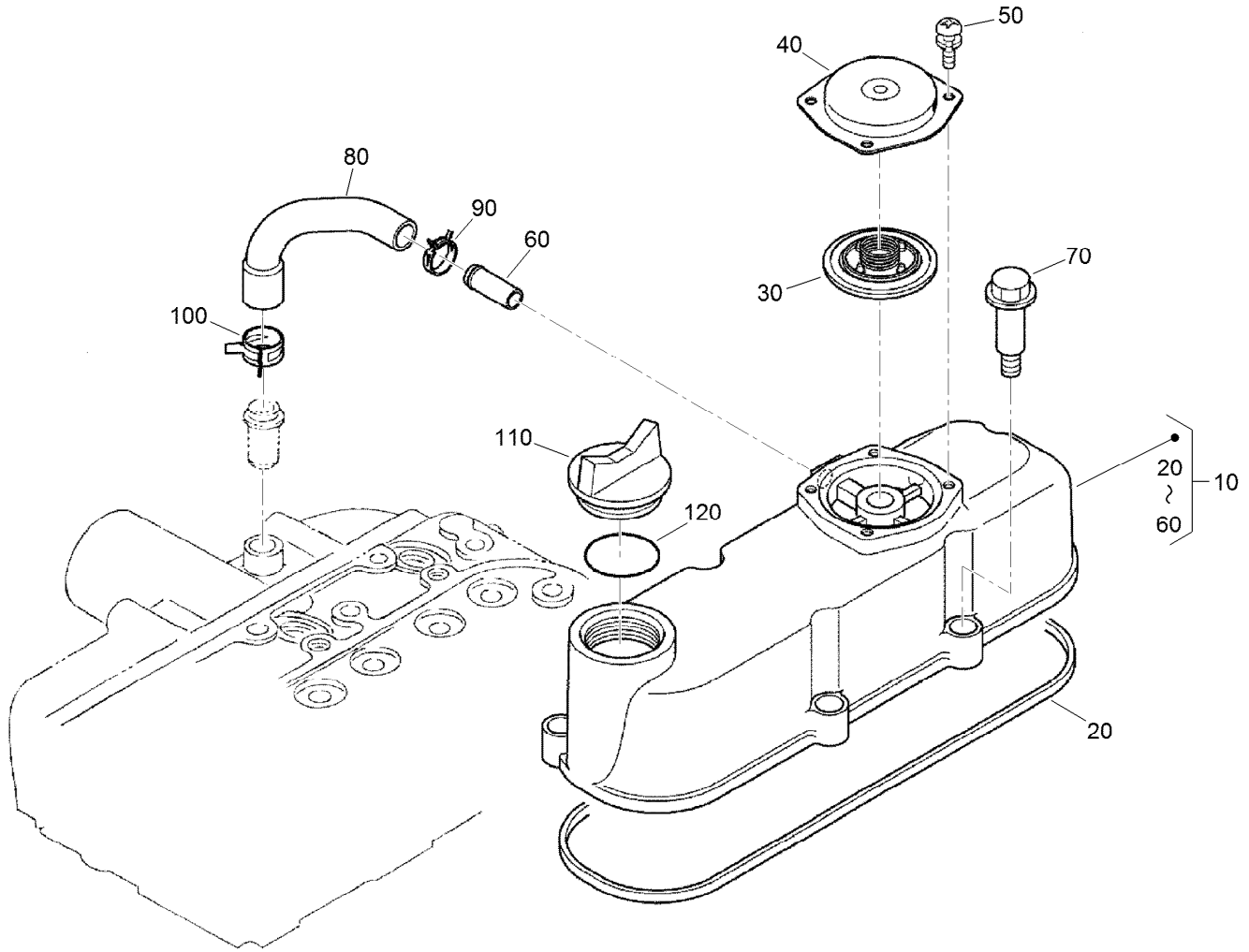
Cylinder Head Assembly

| <i>Ref.</i> | <i>Part Number</i> | <i>Qty.</i> | <i>Description</i> |
|-------------|--------------------|-------------|-----------------------|
| 10 | 130-1231 | 1 | Hook-Engine |
| 20 | 98-9478 | 1 | Hook-Engine |
| 30 | AU126123A1 | 2 | Bolt |
| 40 | 117-8802 | 1 | Cylinder Head ASM |
| 50 | 105-3705 | 1 | Cap-Sealing |
| 60 | 98-7540 | 2 | Plug |
| 70 | 107-9066 | 3 | Guide-Valve, Inlet |
| 80 | 107-9067 | 3 | Guide-Valve, Exhaust |
| 90 | 98-9389 | 2 | Cap-Sealing |
| 100 | 98-9479 | 14 | Bolt-Head, Cylinder |
| 110 | 108-6573 | 1 | Gasket-Head, Cylinder |
| 120 | 98-9444 | 1 | Plug |



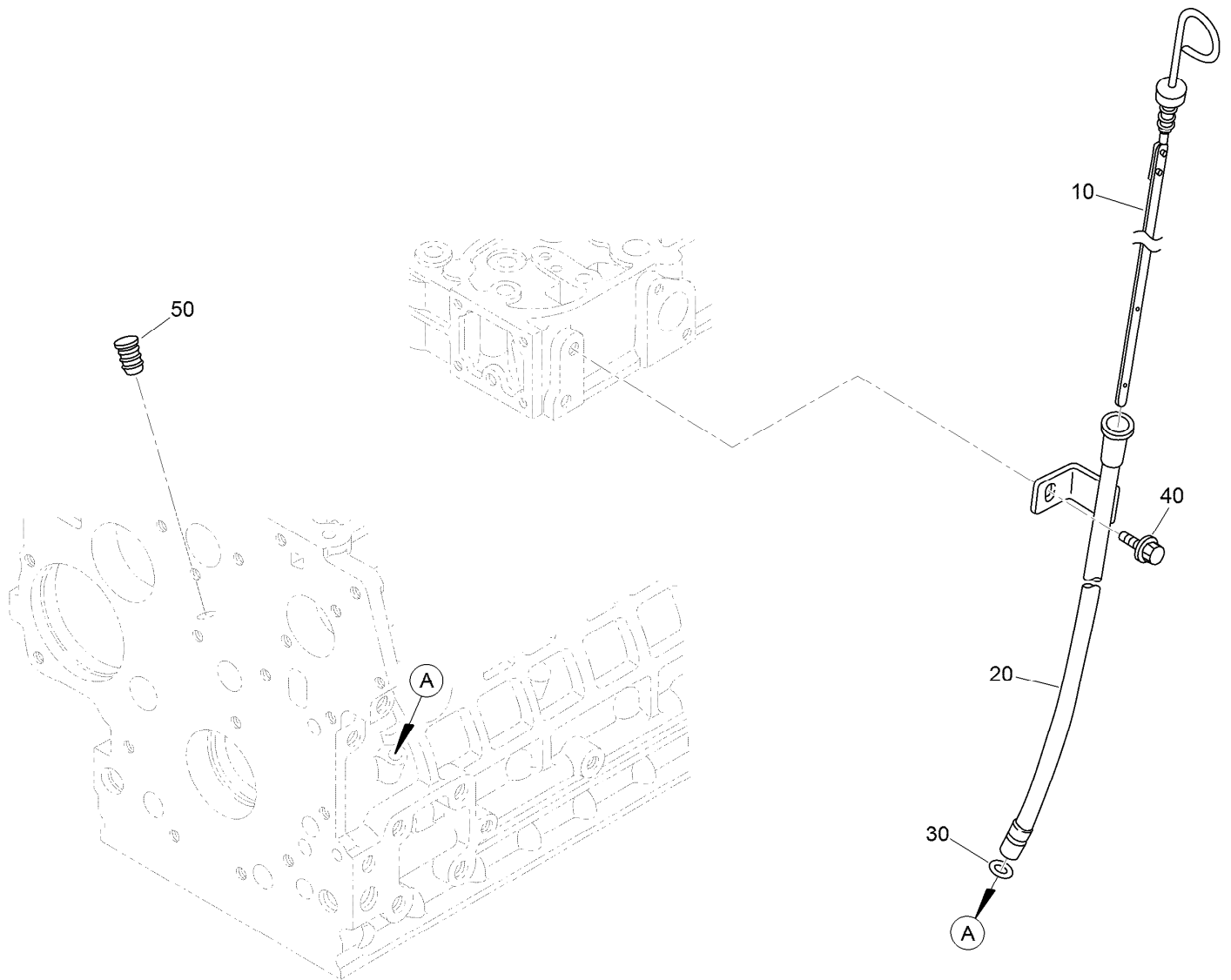
Gear Case Assembly

| <i>Ref.</i> | <i>Part Number</i> | <i>Qty.</i> | <i>Description</i> | <i>Ref.</i> | <i>Part Number</i> | <i>Qty.</i> | <i>Description</i> |
|-------------|--------------------|-------------|--------------------|-------------|--------------------|-------------|--------------------|
| 10 | 117-8803 | 1 | Gear Case ASM | 130 | 125-9063 | 4 | Bolt-Sems |
| 15 | 117-8804 | 1 | Cap-Sealing | 140 | 98-9356 | 2 | Bolt |
| 20 | 127-0425 | 2 | Plug | 150 | 100-1766 | 2 | Bolt |
| 25 | 98-7487 | 1 | Plug | 160 | 107-9090 | 4 | Bolt |
| 50 | 130-1511 | 1 | Spring | 170 | 105-3709 | 1 | Stud |
| 60 | 130-1510 | 1 | Valve-Relief | 180 | 100-2203 | 1 | Nut-Flange |
| 70 | 130-1508 | 1 | Rotor ASM | 185 | 105-3710 | 2 | Stud |
| 80 | 130-1509 | 1 | Cover-Pump, Oil | 190 | 119-8038 | 1 | Seal-Oil |
| 90 | 130-1164 | 5 | Screw-Binding | 200 | 98-9641 | 1 | Cover-Case, Gear |
| 110 | 117-8835 | 1 | Gasket-Case, Gear | 210 | 107-9075 | 1 | Plug-Filler, Oil |
| 120 | 107-9073 | 3 | Bolt | 220 | 99-3446 | 1 | O-Ring |



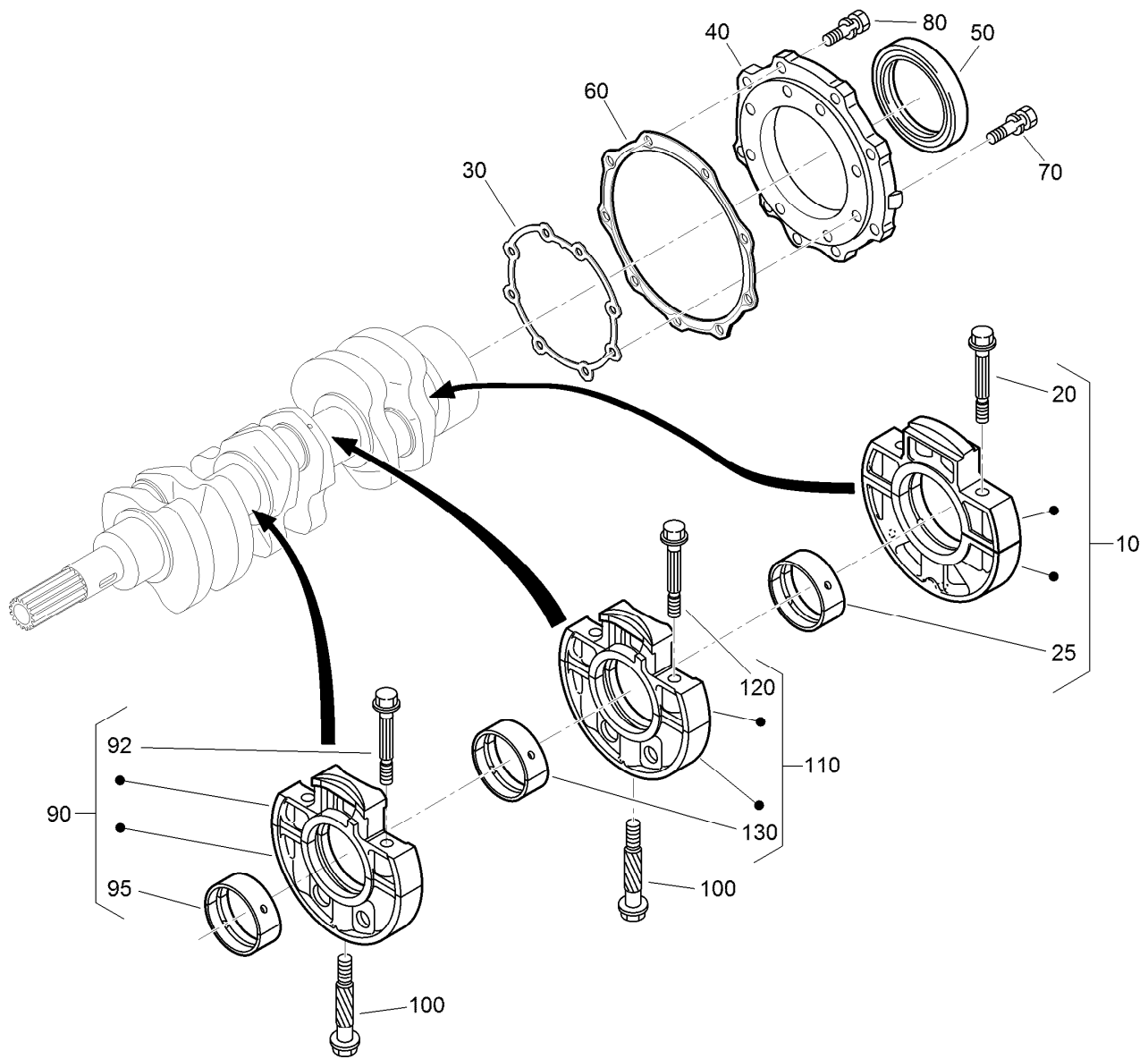
Cylinder Head Cover Assembly

| Ref. | Part Number | Qty. | Description |
|------|-------------|------|-------------------------|
| 10 | 117-8805 | 1 | Cylinder Head Cover ASM |
| 20 | 117-8806 | 1 | Gasket-Cover, Head |
| 30 | 110-3715 | 1 | Valve-Breather |
| 40 | 110-3714 | 1 | Cover-Breather |
| 50 | 98-9364 | 4 | Screw (With Washer) |
| 60 | 98-7766 | 1 | Pipe-Return, Water |
| 70 | 108-7063 | 5 | Bolt |
| 80 | 108-2858 | 1 | Tube-Breather |
| 90 | 108-2859 | 1 | Clamp-Hose |
| 100 | 108-2860 | 1 | Clamp-Hose |
| 110 | 107-9075 | 1 | Plug-Filler, Oil |
| 120 | 99-3446 | 1 | O-Ring |



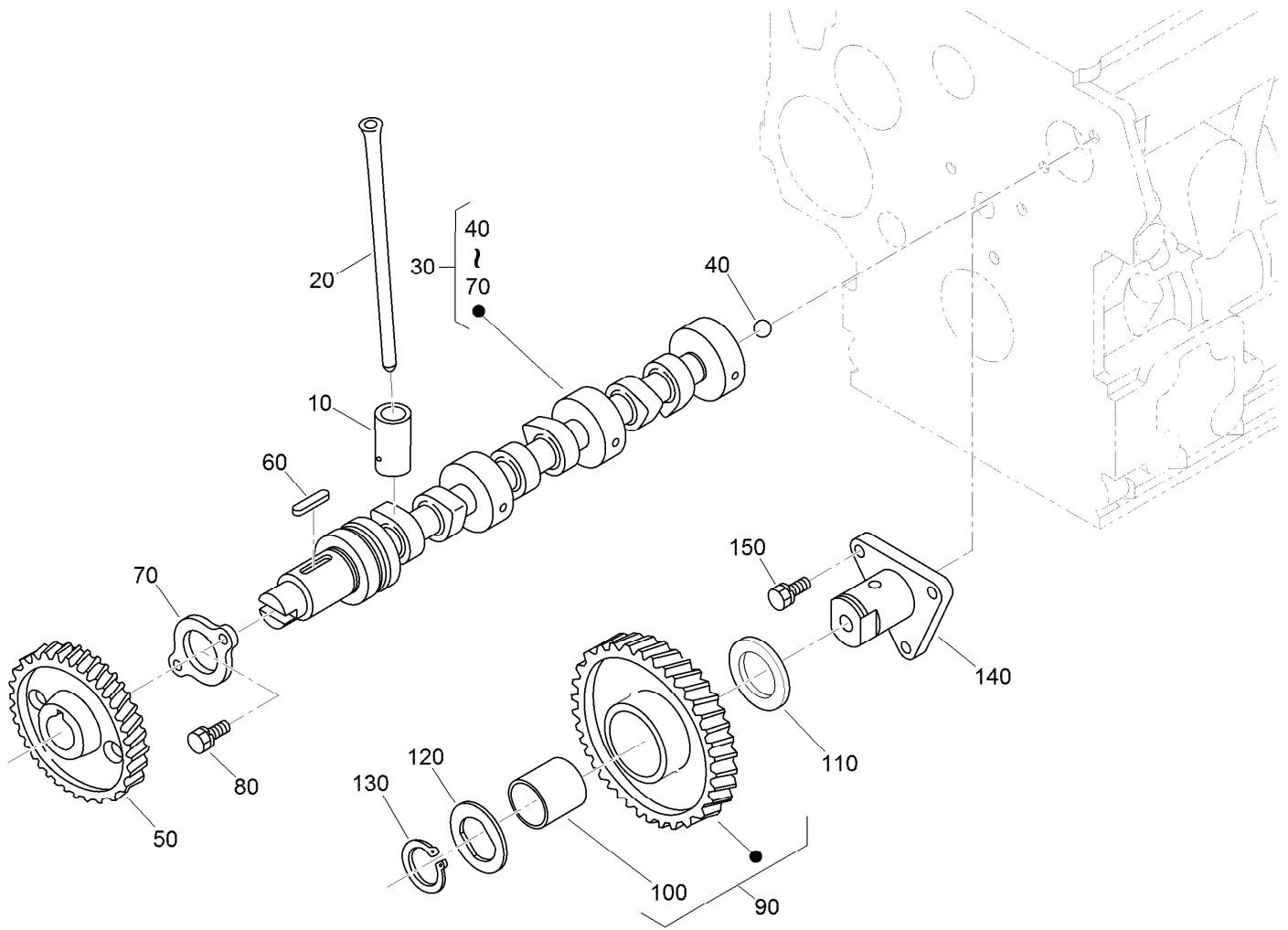
Dipstick and Guide Assembly

| <i>Ref.</i> | <i>Part Number</i> | <i>Qty.</i> | <i>Description</i> |
|-------------|--------------------|-------------|--------------------|
| 10 | 132-4941 | 1 | Gauge-Oil |
| 20 | 132-4942 | 1 | Guide-Gauge, Oil |
| 30 | 98-9722 | 1 | O-Ring |
| 40 | AU126123A1 | 1 | Bolt |
| 50 | 110-3720 | 1 | Plug-Gauge, Oil |



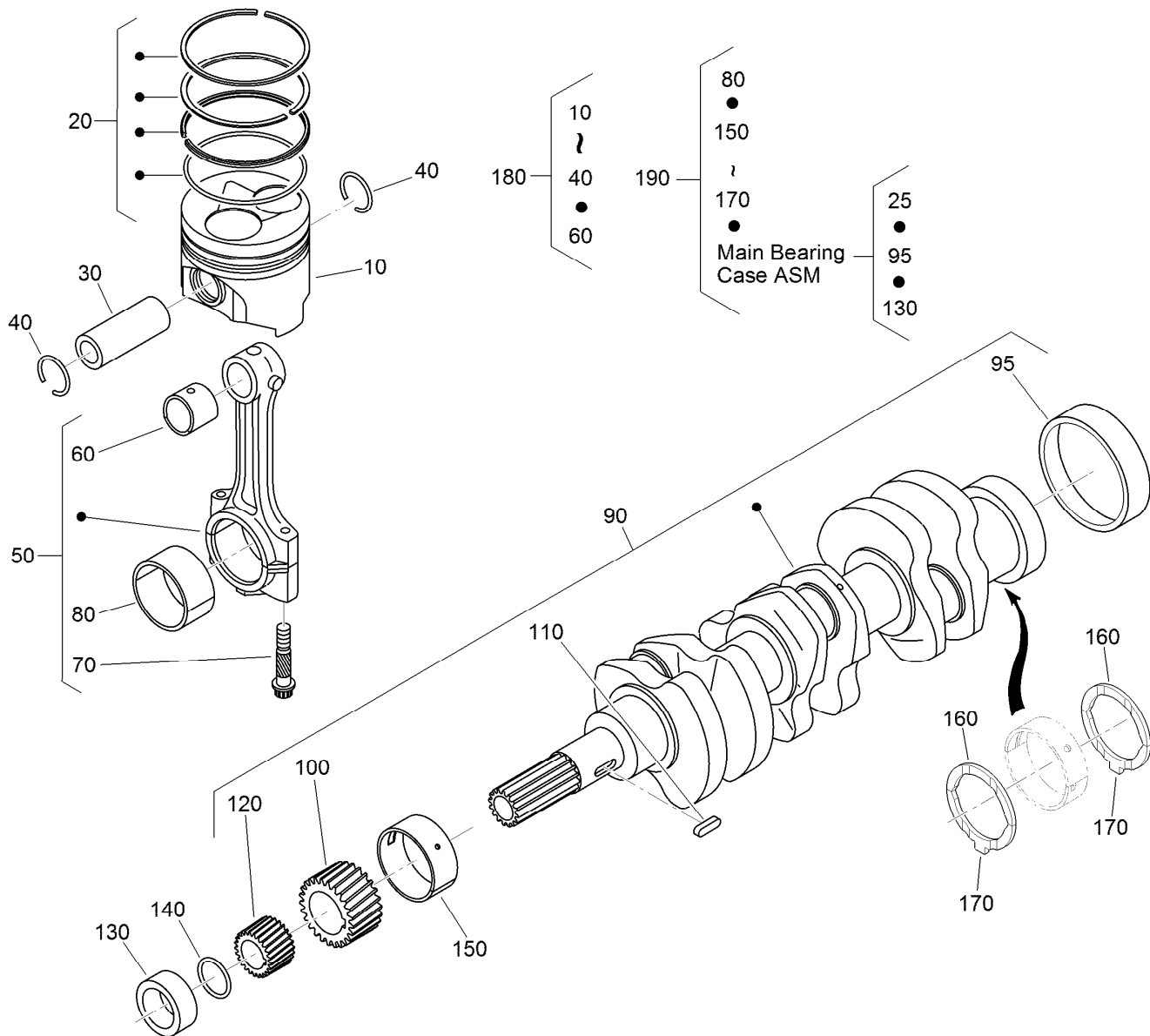
Main Bearing Case Assembly

| Ref. | Part Number | Qty. | Description | Ref. | Part Number | Qty. | Description |
|------|-------------|------|---------------------------|------|-------------|------|-----------------------|
| 10 | 112-7026 | 1 | Wheel Bearing Case ASM | 90 | 117-8809 | 1 | Main Bearing Case ASM |
| 20 | 98-9484 | 2 | Bolt-Case, Bearing | 92 | 98-9484 | 2 | Bolt-Case, Bearing |
| 25 | 112-7045 | 1 | Metal-Crankshaft | 95 | 117-8810 | 1 | Metal-Crankshaft |
| 25 | 112-7039 | 1 | Metal-Crankshaft (0.2Mm) | 95 | 117-8811 | 1 | Metal-Crankshaft |
| 25 | 112-7040 | 1 | Metal-Crankshaft (-0.4Mm) | 95 | 117-8812 | 1 | Metal-Crankshaft |
| 30 | 131-6554 | 1 | Gasket-Case, Bearing | 100 | 98-9485 | 2 | Bolt-Case, Bearing |
| 40 | 112-7046 | 1 | Cover-Case, Bearing | 110 | 117-8813 | 1 | Main Bearing Case ASM |
| 50 | 112-0180 | 1 | Seal-Oil | 120 | 98-9484 | 2 | Bolt-Case, Bearing |
| 60 | 112-7037 | 1 | Gasket-Cover, Case | 130 | 117-8810 | 1 | Metal-Crankshaft |
| 70 | 127-0441 | 8 | Bolt | 130 | 117-8811 | 1 | Metal-Crankshaft |
| 80 | 127-0442 | 9 | Bolt | 130 | 117-8812 | 1 | Metal-Crankshaft |



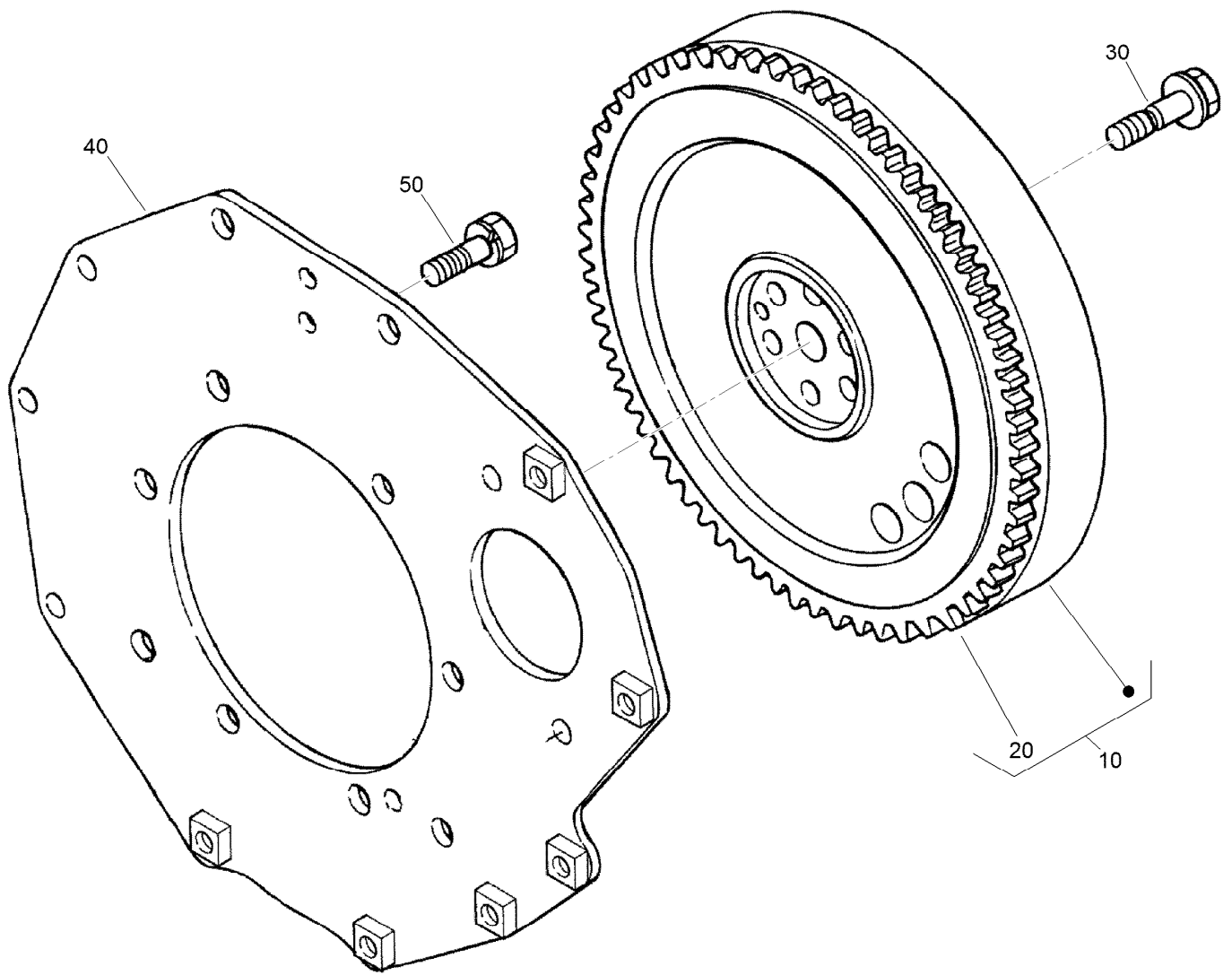
Camshaft and Idle Gear Shaft Assembly

| Ref. | Part Number | Qty. | Description |
|------|-------------|------|--------------------|
| 10 | 112-0185 | 6 | Tappet |
| 20 | 117-8814 | 6 | Rod-Push |
| 30 | 130-1545 | 1 | Camshaft ASM |
| 40 | 110-3729 | 1 | Ball |
| 50 | 98-9512 | 1 | Gear-Cam |
| 60 | 98-9378 | 1 | Key-Feather |
| 70 | 131-6555 | 1 | Stopper (Camshaft) |
| 80 | 98-7692 | 2 | Bolt |
| 90 | 117-7584 | 1 | Idler Gear ASM |
| 100 | 117-7585 | 1 | Bushing-Gear, Idle |
| 110 | 98-9535 | 1 | Collar-Gear, Idle |
| 120 | 98-9536 | 1 | Collar-Gear, Idle |
| 130 | 98-9534 | 1 | Circlip-Gear, Idle |
| 140 | 98-9533 | 1 | Shaft-Gear, Idle |
| 150 | 98-7692 | 3 | Bolt |



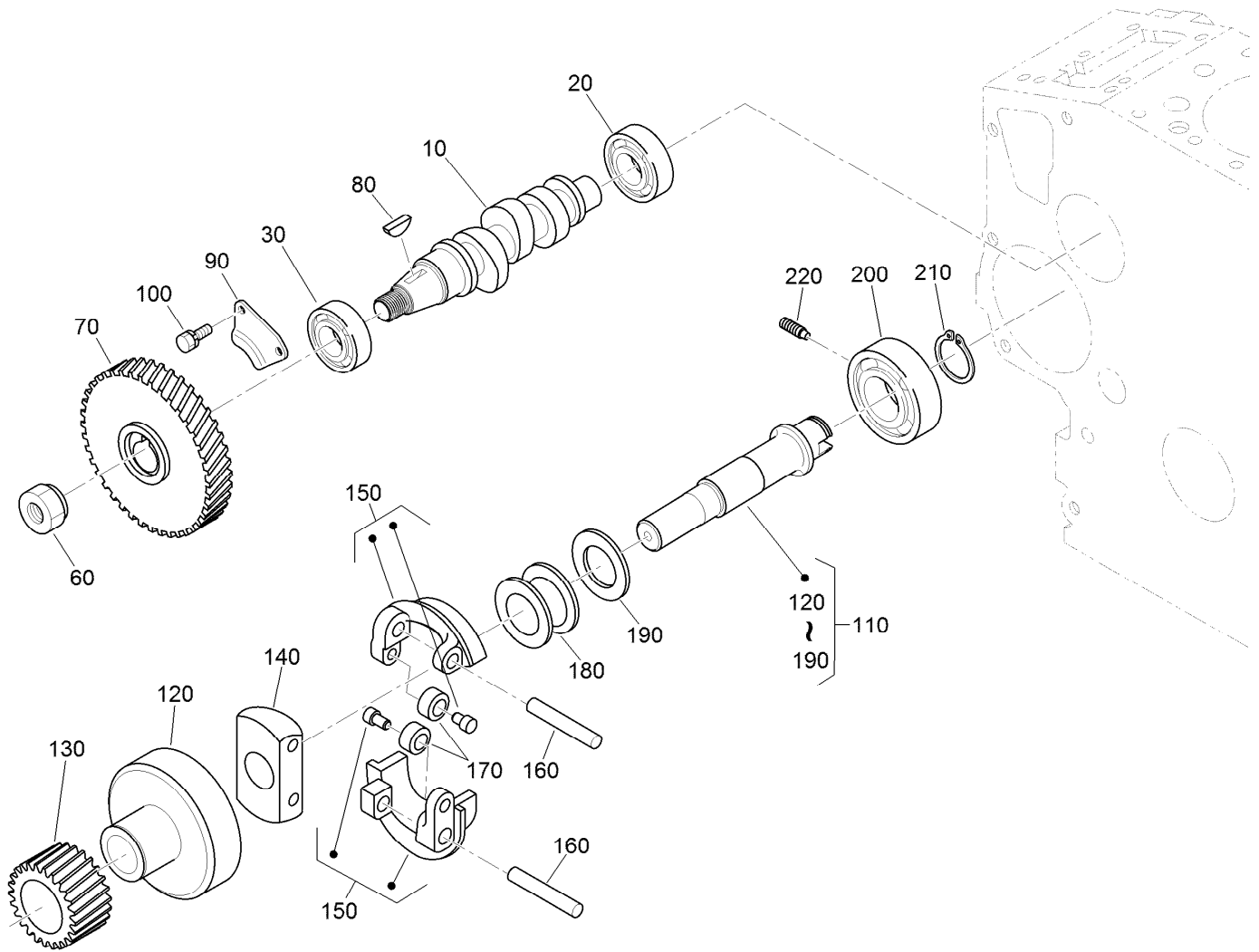
Piston and Crankshaft Assembly

| Ref. | Part Number | Qty. | Description | Ref. | Part Number | Qty. | Description |
|------|-------------|------|---------------------------|------|-------------|------|----------------------|
| 10 | 130-1546 | 3 | Piston (STD) | 130 | 127-0444 | 1 | Collar-Crankshaft |
| 10 | 130-1549 | 3 | Piston (+0.50Mm) | 140 | 105-3783 | 1 | O-Ring |
| 20 | 130-1506 | 3 | Piston Ring ASM (STD) | 150 | 117-8818 | 1 | Metal-Crankshaft |
| 20 | 130-1507 | 3 | Piston Ring ASM (+0.50Mm) | 150 | 117-8819 | 1 | Metal-Crankshaft |
| 30 | 98-9513 | 3 | Pin-Piston | 150 | 117-8820 | 1 | Metal-Crankshaft |
| 40 | 98-9514 | 6 | Circlip-Pin, Piston | 160 | 98-9413 | 2 | Bearing-Thrust (STD) |
| 50 | 117-7586 | 3 | Connecting Rod ASM | 160 | 127-0416 | 2 | Metal-Side (+0.2Mm) |
| 60 | 115-3014 | 3 | Bushing-Pin, Piston | 160 | 127-0417 | 2 | Metal-Side (+0.40Mm) |
| 70 | 98-9517 | 6 | Bolt-Rod, Connecting | 170 | 98-9688 | 2 | Bearing-Thrust (STD) |
| 80 | 98-9553 | 3 | Bearing-Rod (STD) | 170 | 127-0437 | 2 | Metal-Side (+0.2Mm) |
| 80 | 98-9519 | 3 | Bearing-Rod (-0.2Mm) | 170 | 127-0438 | 2 | Metal-Side (+0.40Mm) |
| 80 | 117-7588 | 3 | Metal-Crankpin (-0.4Mm) | 180 | 130-1547 | 3 | Piston Kit |
| 90 | 132-4944 | 1 | Crankshaft ASM | 180 | 130-1548 | 3 | Piston Kit |
| 95 | 98-9522 | 1 | Sleeve-Crankshaft | 190 | 117-8823 | 1 | Engine Metal Kit |
| 100 | 117-7561 | 1 | Gear-Crankshaft | 190 | 117-8824 | 1 | Engine Metal Kit |
| 110 | 98-9666 | 1 | Key | 190 | 117-8825 | 1 | Engine Metal Kit |
| 120 | 127-0445 | 1 | Gear-Drive, Oil Pump | | | | |



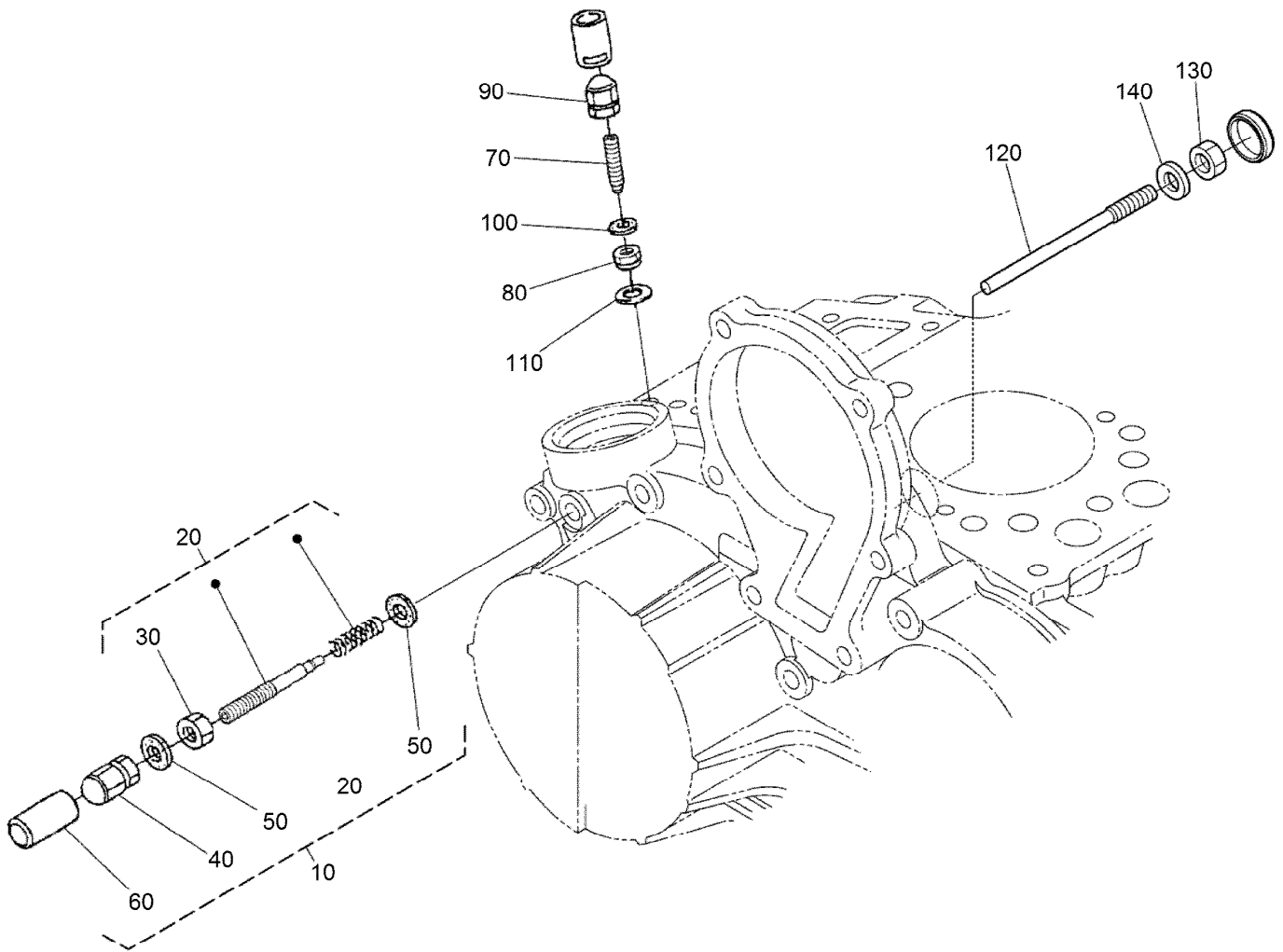
Flywheel Assembly

| <i>Ref.</i> | <i>Part Number</i> | <i>Qty.</i> | <i>Description</i> |
|-------------|--------------------|-------------|--------------------|
| 10 | 117-8826 | 1 | Flywheel ASM |
| 20 | 105-3722 | 1 | Gear-Ring |
| 30 | 98-9537 | 6 | Bolt-Flywheel |
| 40 | 98-9486 | 1 | Plate-End, Rear |
| 50 | 98-9392 | 8 | Bolt |



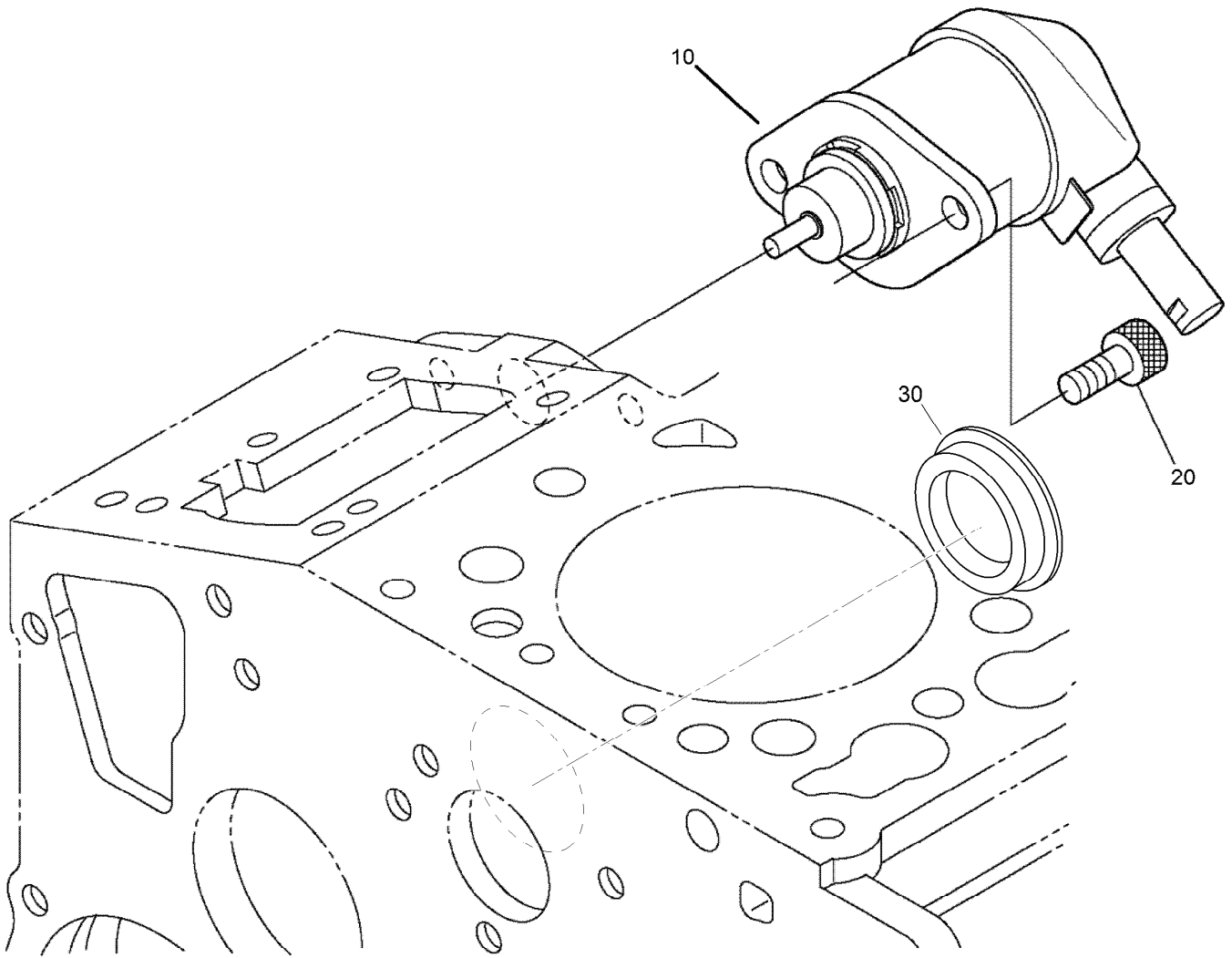
Fuel Camshaft and Governor Shaft Assembly

| <i>Ref.</i> | <i>Part Number</i> | <i>Qty.</i> | <i>Description</i> | <i>Ref.</i> | <i>Part Number</i> | <i>Qty.</i> | <i>Description</i> |
|-------------|--------------------|-------------|------------------------|-------------|--------------------|-------------|-------------------------|
| 10 | 98-9459 | 1 | Camshaft-Fuel | 130 | 98-9673 | 1 | Gear-Governor |
| 20 | 107-9077 | 1 | Bearing-Ball | 140 | 98-9561 | 1 | Holder-Weight, Governor |
| 30 | 107-9078 | 1 | Bearing-Ball | 150 | 130-1240 | 2 | Governor Weight ASM |
| 60 | 130-1512 | 1 | Nut | 160 | 98-9560 | 2 | Shaft-Weight, Governor |
| 70 | 130-1378 | 1 | Gear-Injection Pump | 170 | 98-9692 | 2 | Roller |
| 80 | 98-9595 | 1 | Key-Woodruff | 180 | 98-9563 | 1 | Sleeve-Governor |
| 90 | 98-9511 | 1 | Stopper-Fuel, Camshaft | 190 | 98-9564 | 1 | Washer-Thrust |
| 100 | 98-7692 | 2 | Bolt | 200 | 107-9079 | 1 | Bearing-Ball |
| 110 | 98-9644 | 1 | Governor Shaft ASM | 210 | 98-9657 | 1 | Circlip-Shaft, Governor |
| 120 | 98-9562 | 1 | Holder-Gear, Governor | 220 | 98-9565 | 1 | Screw-Set |



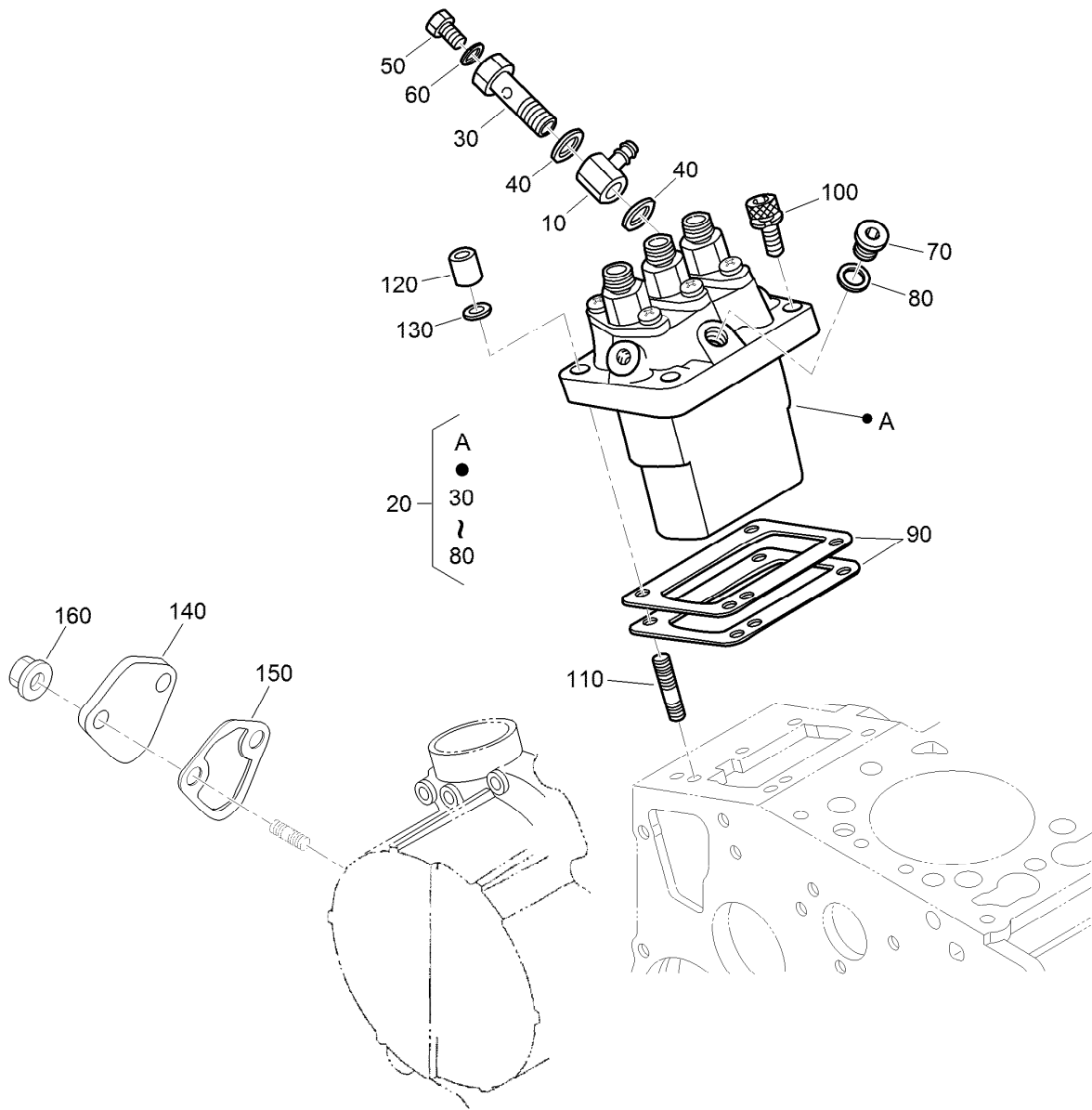
Idle Apparatus Assembly

| <i>Ref.</i> | <i>Part Number</i> | <i>Qty.</i> | <i>Description</i> |
|-------------|--------------------|-------------|---------------------|
| 10 | 132-4937 | 1 | Apparatus-Idling |
| 20 | 132-4938 | 1 | Adjustment Bolt ASM |
| 30 | 98-9439 | 1 | Nut |
| 40 | 112-0181 | 1 | Nut |
| 50 | 98-7654 | 2 | Gasket |
| 60 | 98-7656 | 1 | Cap |
| 70 | 112-7015 | 1 | Bolt-Adjusting |
| 80 | 100-2175 | 1 | Nut-Lock |
| 90 | 112-0181 | 1 | Nut |
| 100 | 98-7654 | 2 | Gasket |
| 110 | 107-9081 | 1 | Gasket |
| 120 | 131-6556 | 1 | Bolt |
| 130 | 98-7572 | 1 | Nut |
| 140 | 98-7654 | 1 | Gasket |



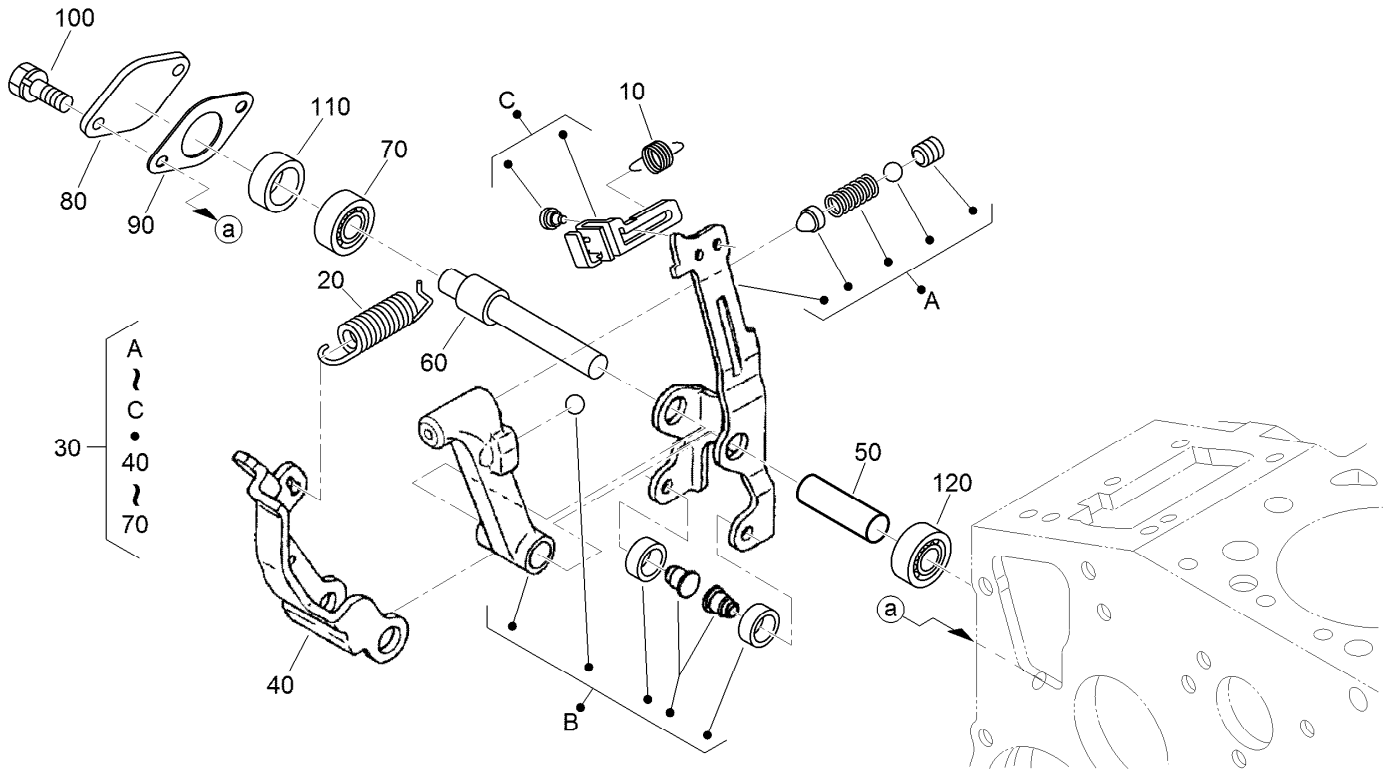
Stop Solenoid Assembly

| <i>Ref.</i> | <i>Part Number</i> | <i>Qty.</i> | <i>Description</i> |
|-------------|--------------------|-------------|--------------------|
| 10 | 104-5155 | 1 | Solenoid-Stop |
| 20 | 130-1155 | 2 | Screw-HSH |
| 30 | 112-7016 | 1 | Cover-Pump |



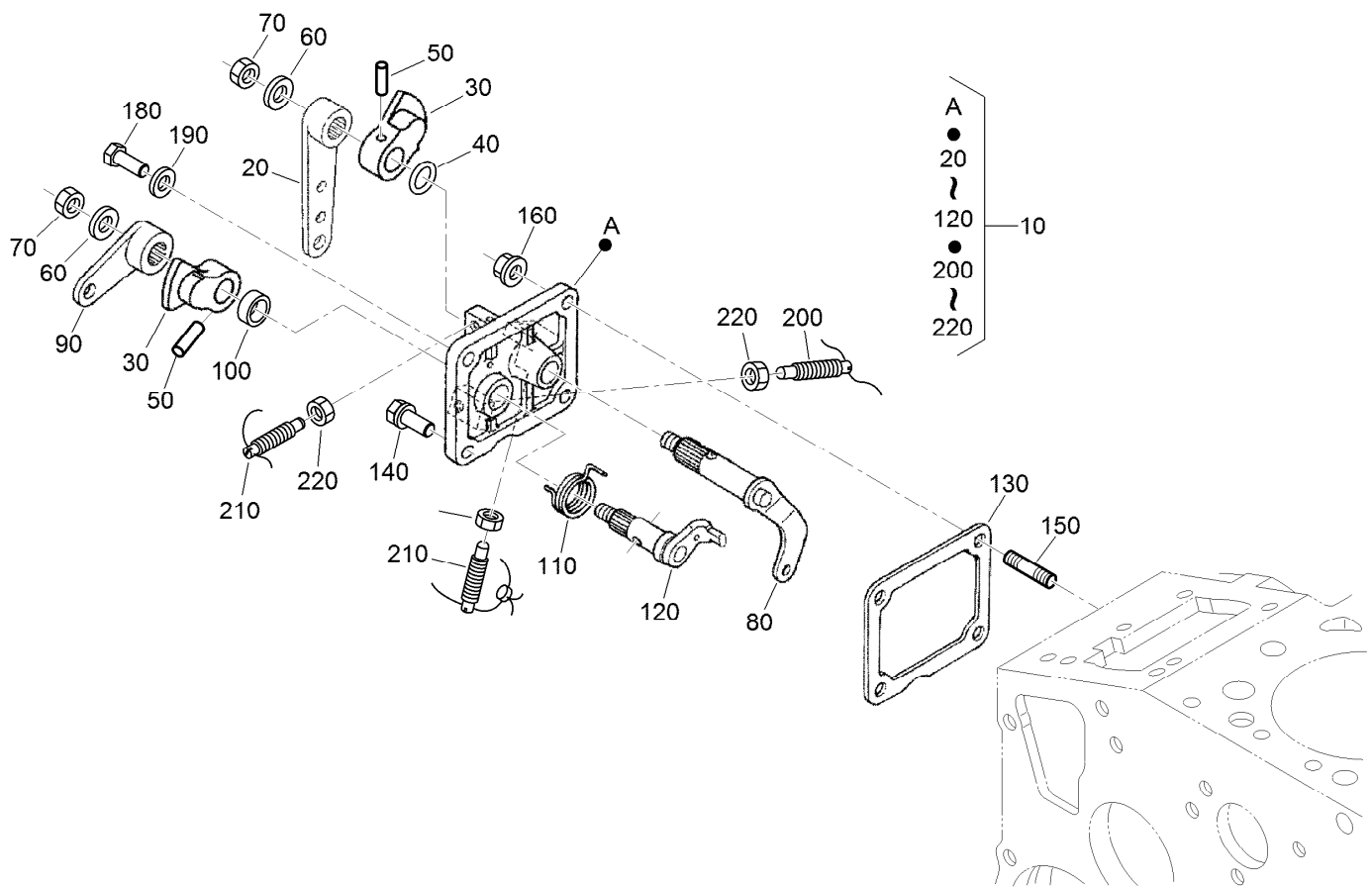
Injection Pump Assembly

| <i>Ref.</i> | <i>Part Number</i> | <i>Qty.</i> | <i>Description</i> | <i>Ref.</i> | <i>Part Number</i> | <i>Qty.</i> | <i>Description</i> |
|-------------|--------------------|-------------|-------------------------|-------------|--------------------|-------------|--------------------------|
| 10 | 98-9596 | 1 | Joint-Eye | 90 | 98-9458 | 1 | Shim-Injection (0.30Mm) |
| 20 | 98-9643 | 1 | Injection Pump ASM | 90 | 115-3046 | 1 | Shim-Injection (0.35Mm) |
| 30 | 98-9464 | 1 | Bolt-Joint | 90 | 115-3045 | 1 | Shim-Injection (0.175Mm) |
| 40 | 98-9445 | 2 | Gasket | 100 | 117-7564 | 2 | Bolt-Hex Soc HD |
| 50 | 98-9430 | 1 | Screw | 110 | 98-9438 | 2 | Stud |
| 60 | 98-9446 | 1 | Gasket | 120 | 98-9440 | 2 | Nut-Cap |
| 70 | 98-9466 | 1 | Plug | 130 | 98-9367 | 2 | Washer-Spring |
| 80 | 98-9451 | 1 | Gasket | 140 | 99-3514 | 1 | Cover |
| 90 | 98-9456 | 1 | Shim-Injection (0.20Mm) | 150 | 117-7562 | 1 | Gasket-Pump, Fuel |
| 90 | 98-9457 | 1 | Shim-Injection (0.25Mm) | 160 | 100-2203 | 2 | Nut-Flange |



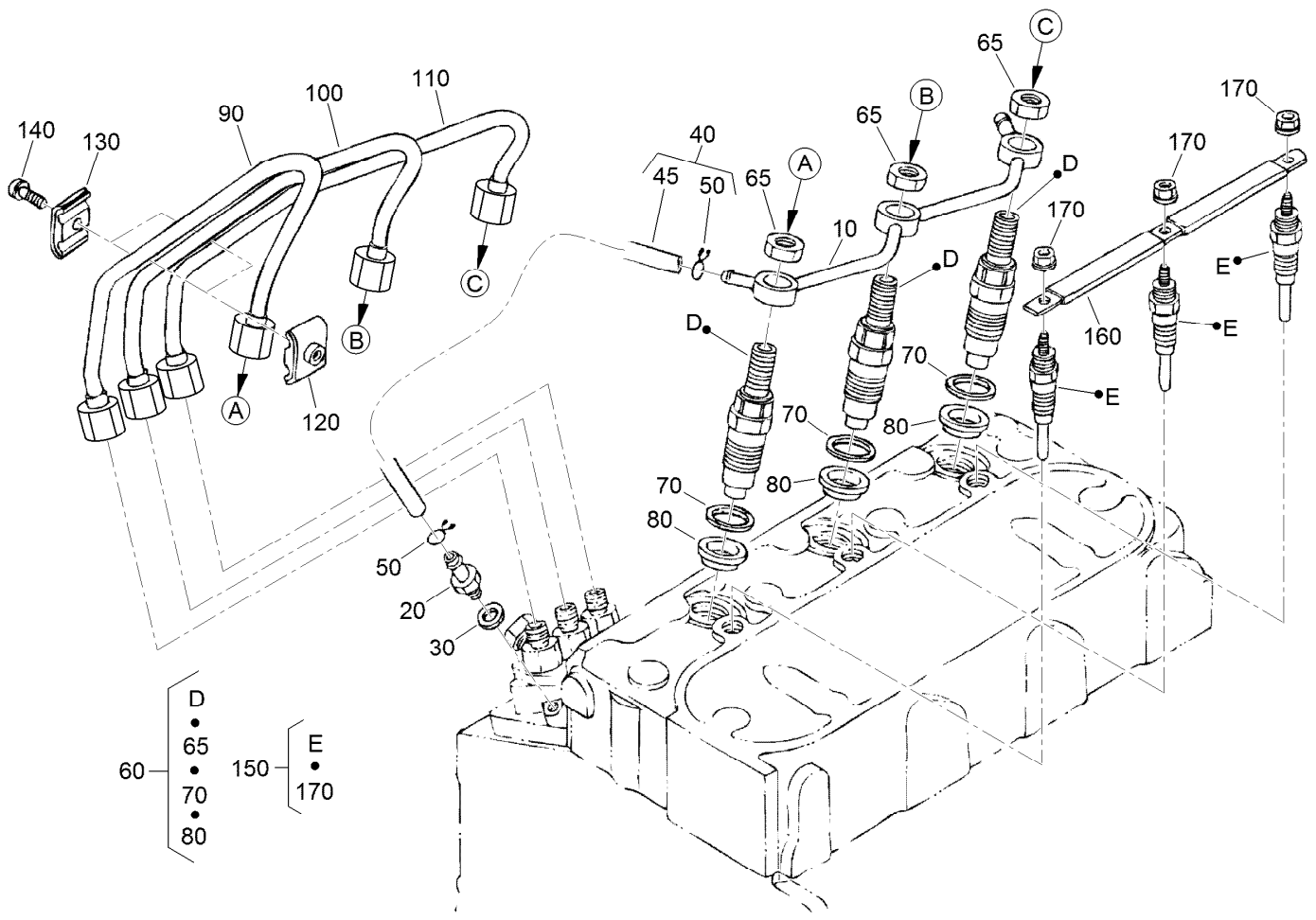
Governor Assembly

| <i>Ref.</i> | <i>Part Number</i> | <i>Qty.</i> | <i>Description</i> |
|-------------|--------------------|-------------|-------------------------|
| 10 | 105-3786 | 1 | Spring-Start |
| 20 | 107-7839 | 1 | Spring-Governor |
| 30 | 115-4502 | 1 | Fork Lever ASM |
| 40 | 107-9084 | 1 | Lever-Fork |
| 50 | 107-9085 | 1 | Shaft-Lever, Fork |
| 60 | 107-9086 | 1 | Shaft-Lever, Fork |
| 70 | 98-9570 | 1 | Bearing-Miniaturize |
| 80 | 115-4122 | 1 | Cover-Shaft, Fork Lever |
| 90 | 98-9682 | 1 | Gasket |
| 100 | 98-9350 | 2 | Bolt |
| 110 | 98-9567 | 1 | Collar |
| 120 | 98-9571 | 1 | Bearing-Miniaturize |



Speed Control Plate Assembly

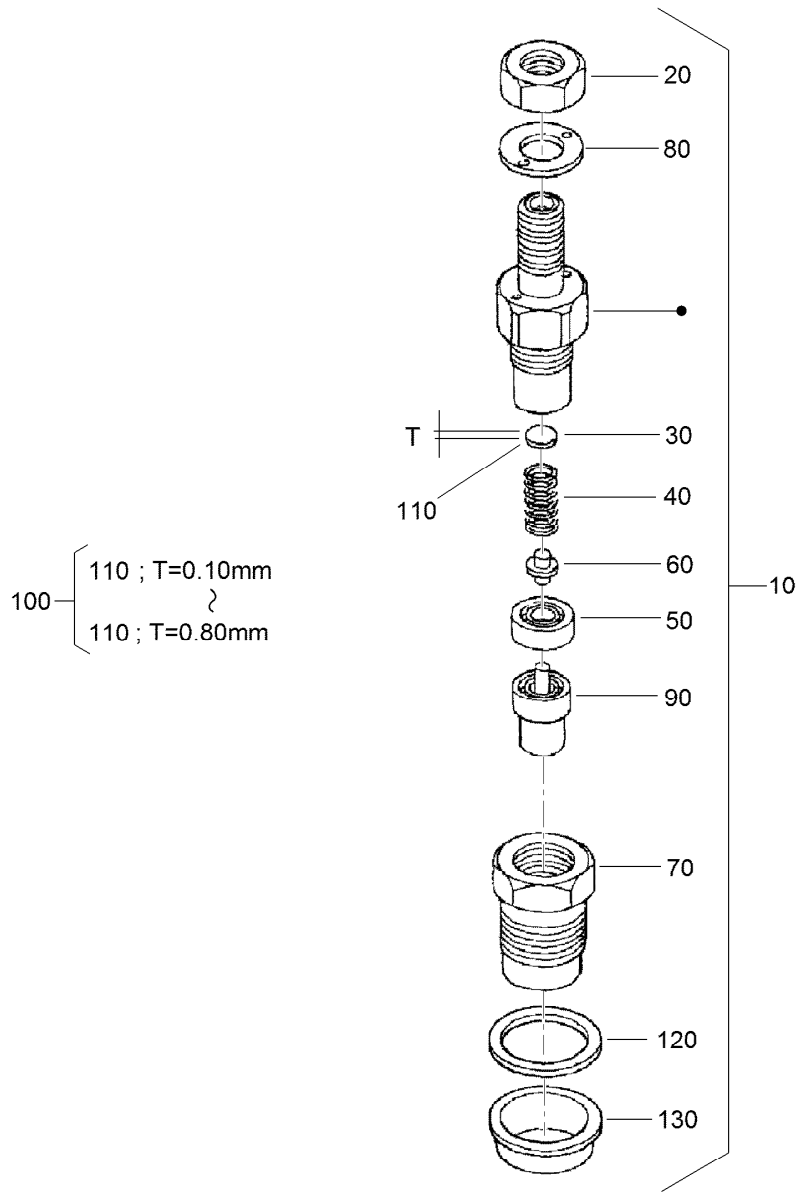
| Ref. | Part Number | Qty. | Description | Ref. | Part Number | Qty. | Description |
|------|-------------|------|----------------------|------|-------------|------|-------------------|
| 10 | 98-9661 | 1 | Control Plate ASM | 120 | 98-9664 | 1 | Shaft-Lever, Stop |
| 20 | 98-9662 | 1 | Lever-Control, Speed | 130 | 98-9637 | 1 | Gasket |
| 30 | 98-9572 | 2 | Lever-Control, Speed | 140 | 98-7692 | 1 | Bolt |
| 40 | 105-3788 | 1 | O-Ring | 150 | 105-3710 | 2 | Stud |
| 50 | 98-7602 | 2 | Pin-Spring | 160 | 100-2203 | 2 | Nut-Flange |
| 60 | 98-9594 | 2 | Washer-Plain | 180 | 127-0401 | 1 | Bolt-Hex |
| 70 | 98-9589 | 2 | Nut | 190 | 98-7654 | 1 | Gasket |
| 80 | 98-9658 | 1 | Governor Lever ASM | 200 | 117-7566 | 1 | Bolt-Adjusting |
| 90 | 98-9663 | 1 | Lever-Stop, Engine | 210 | 117-7565 | 2 | Bolt-Adjusting |
| 100 | 98-7601 | 1 | Seal-Oil | 220 | 98-7572 | 3 | Nut |
| 110 | 98-9472 | 1 | Spring-Return | | | | |



Nozzle Holder and Glow Plug Assembly

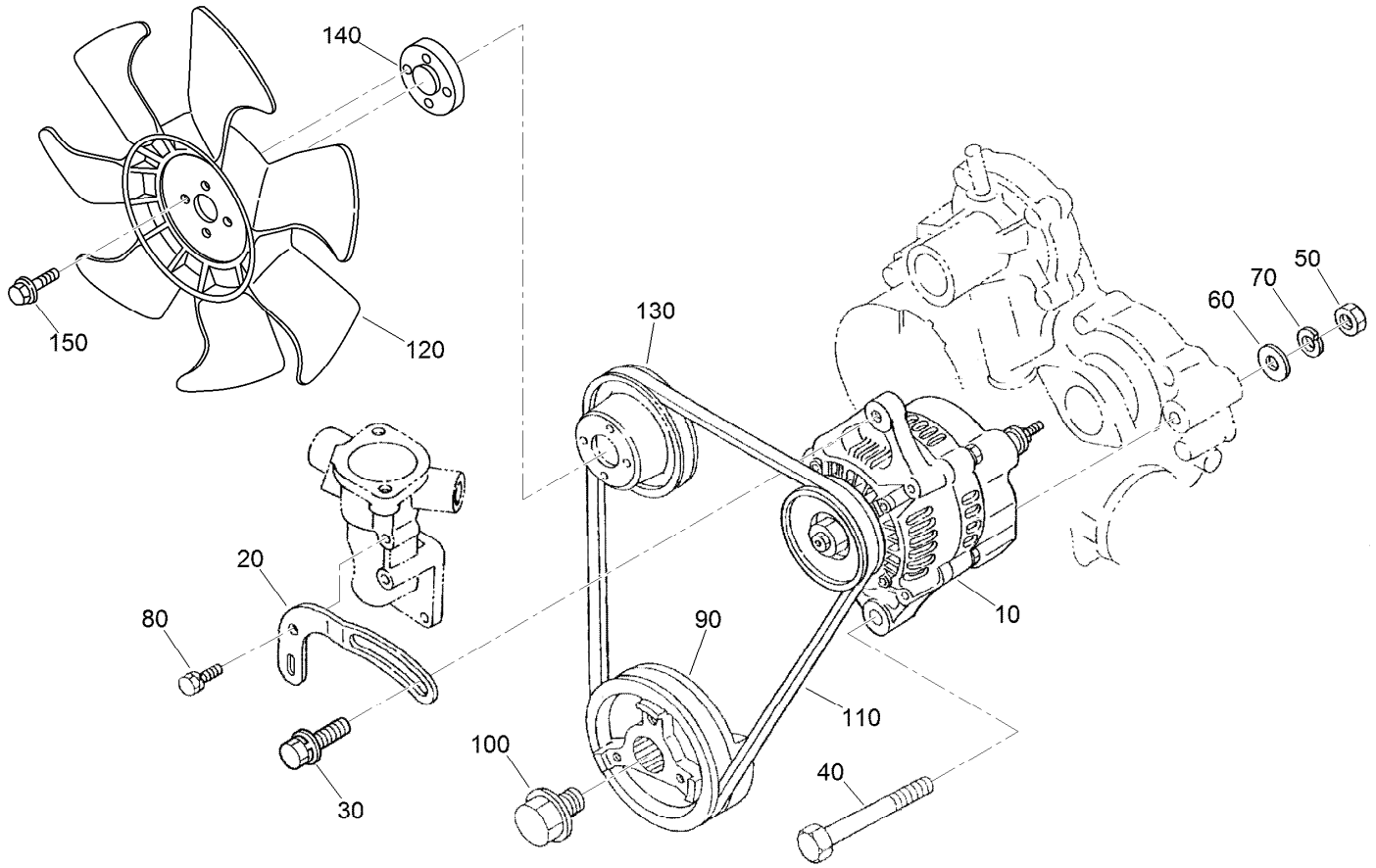
| Ref. | Part Number | Qty. | Description |
|------|-------------|------|--------------------|
| 10 | 98-9620 | 1 | Overflow Pipe ASM |
| 20 | 98-9431 | 1 | Screw-Bleeder, Air |
| 30 | 98-7654 | 1 | Gasket |
| 40 | 98-9420 | 1 | Overflow Pipe ASM |
| 45 | 112-0182 | 1 | Pipe-Overflow |
| 50 | 98-7671 | 2 | Clip-Pipe |
| 60 | 115-3018 | 3 | Nozzle Holder Kit |
| 65 | 121-2411 | 3 | Nut |
| 70 | 98-7676 | 3 | Gasket |
| 80 | 98-7677 | 3 | Seal-Heat |

| Ref. | Part Number | Qty. | Description |
|------|-------------|------|------------------|
| 90 | 132-4945 | 1 | Pipe Injection |
| 100 | 132-4946 | 1 | Pipe Injection |
| 110 | 132-4947 | 1 | Pipe Injection |
| 120 | 98-7682 | 2 | Clamp-Pipe |
| 130 | 98-7683 | 2 | Clamp-Pipe |
| 140 | 98-7684 | 2 | Screw (W/Washer) |
| 150 | 130-1411 | 3 | Plug-Glow |
| 160 | 98-9631 | 1 | Cord-Plug, Glow |
| 170 | 99-8377 | 3 | Nut-Flange |



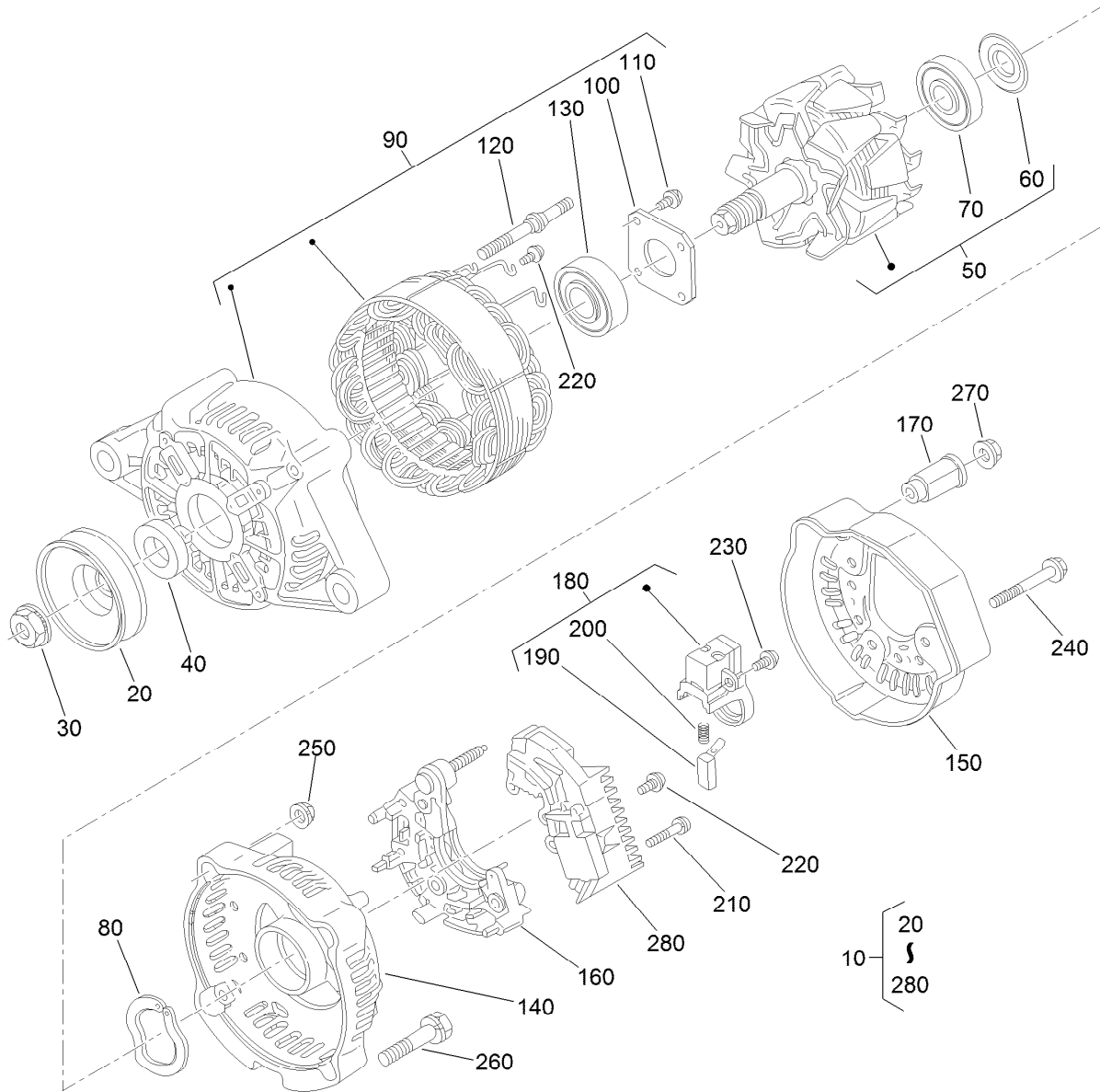
Nozzle Holder Assembly

| Ref. | Part Number | Qty. | Description | Ref. | Part Number | Qty. | Description |
|------|-------------|------|------------------------|------|-------------|------|------------------------|
| 10 | 115-3018 | 3 | Nozzle Holder Kit | 110 | 99-8311 | 3 | Washer-Adjust (0.20Mm) |
| 20 | 121-2411 | 3 | Nut | 110 | 99-8312 | 3 | Washer-Adjust (0.30Mm) |
| 30 | 99-8302 | 3 | Washer-Adjusting | 110 | 99-8313 | 3 | Washer-Adjust (0.40Mm) |
| 40 | 99-8303 | 3 | Spring-Nozzle | 110 | 99-8314 | 3 | Washer-Adjust (0.50Mm) |
| 50 | 99-8304 | 3 | Spacer-Distance | 110 | 99-8315 | 3 | Washer-Adjust (0.52Mm) |
| 60 | 99-8305 | 3 | Rod-Push | 110 | 99-8316 | 3 | Washer-Adjust (0.54Mm) |
| 70 | 99-8306 | 3 | Nut-Nozzle | 110 | 99-8317 | 3 | Washer-Adjust (0.56Mm) |
| 80 | 99-8307 | 3 | Washer-Plain | 110 | 99-8318 | 3 | Washer-Adjust (0.58Mm) |
| 90 | 115-3020 | 3 | Piece-Nozzle | 110 | 99-8319 | 3 | Washer-Adjust (0.80Mm) |
| 100 | 99-8309 | 3 | Adjusting Washer ASM | 120 | 98-7676 | 3 | Gasket |
| 110 | 99-8310 | 3 | Washer-Adjust (0.10Mm) | 130 | 98-7677 | 3 | Seal-Heat |



Alternator and Pulley Assembly

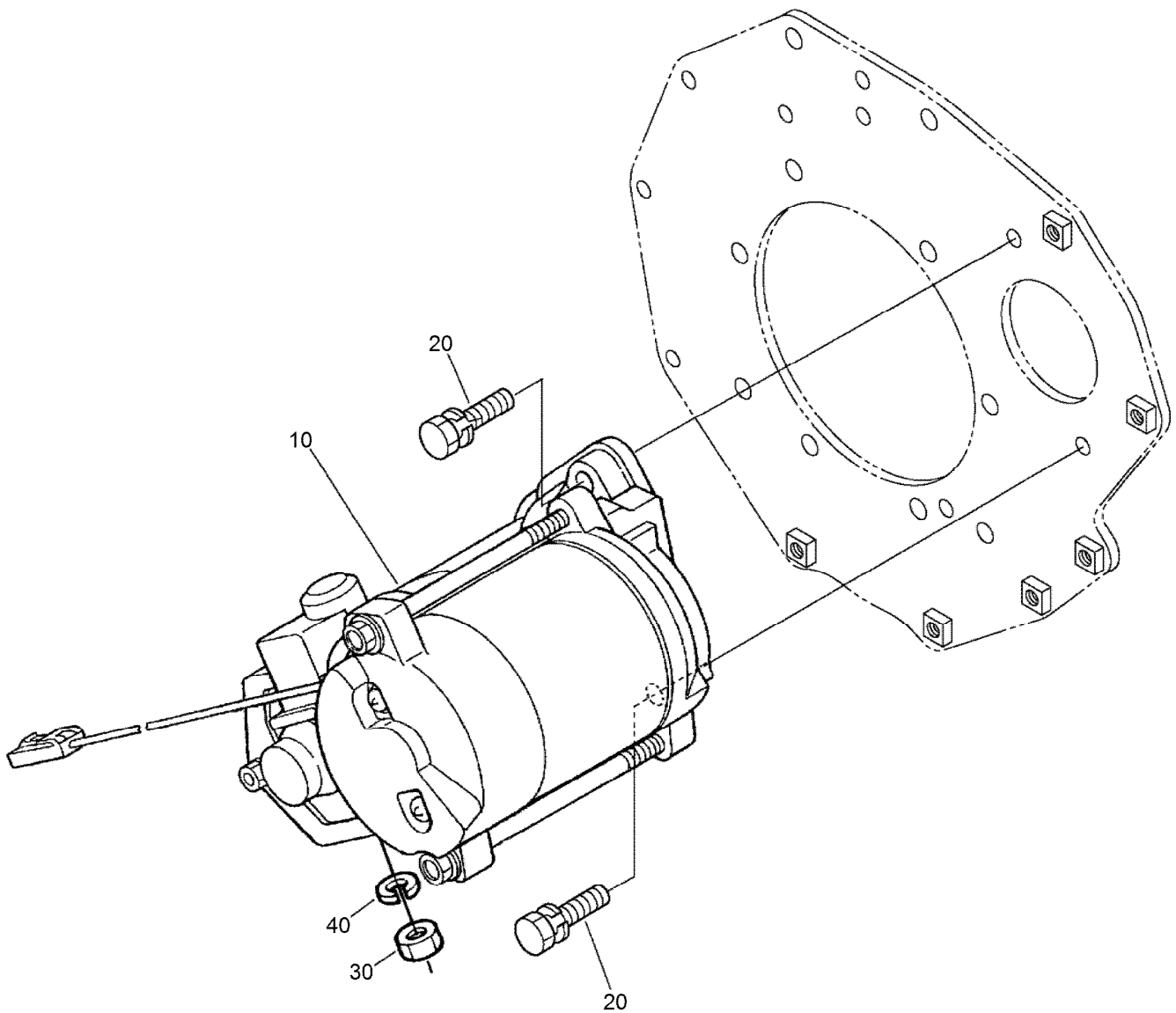
| Ref. | Part Number | Qty. | Description |
|------|-------------|------|-------------------|
| 10 | 131-6557 | 1 | Alternator ASM |
| 20 | 112-7047 | 1 | Stay-Dynamo |
| 30 | 108-7088 | 1 | Bolt |
| 40 | 98-9360 | 1 | Bolt |
| 50 | 98-7737 | 1 | Nut |
| 60 | 98-9366 | 1 | Washer-Plain |
| 70 | 99-7527 | 1 | Washer-Spring |
| 80 | 98-7692 | 1 | Bolt |
| 90 | 117-8830 | 1 | Pulley-Drive, Fan |
| 100 | 98-9585 | 1 | Bolt |
| 110 | 98-9676 | 1 | V-Belt |
| 120 | 104-4246 | 1 | Fan-Engine |
| 130 | 98-9584 | 1 | Pulley-Fan |
| 140 | 104-4247 | 1 | Spacer-Fan |
| 150 | 108-2873 | 4 | Bolt-Flange |



Alternator Components Assembly

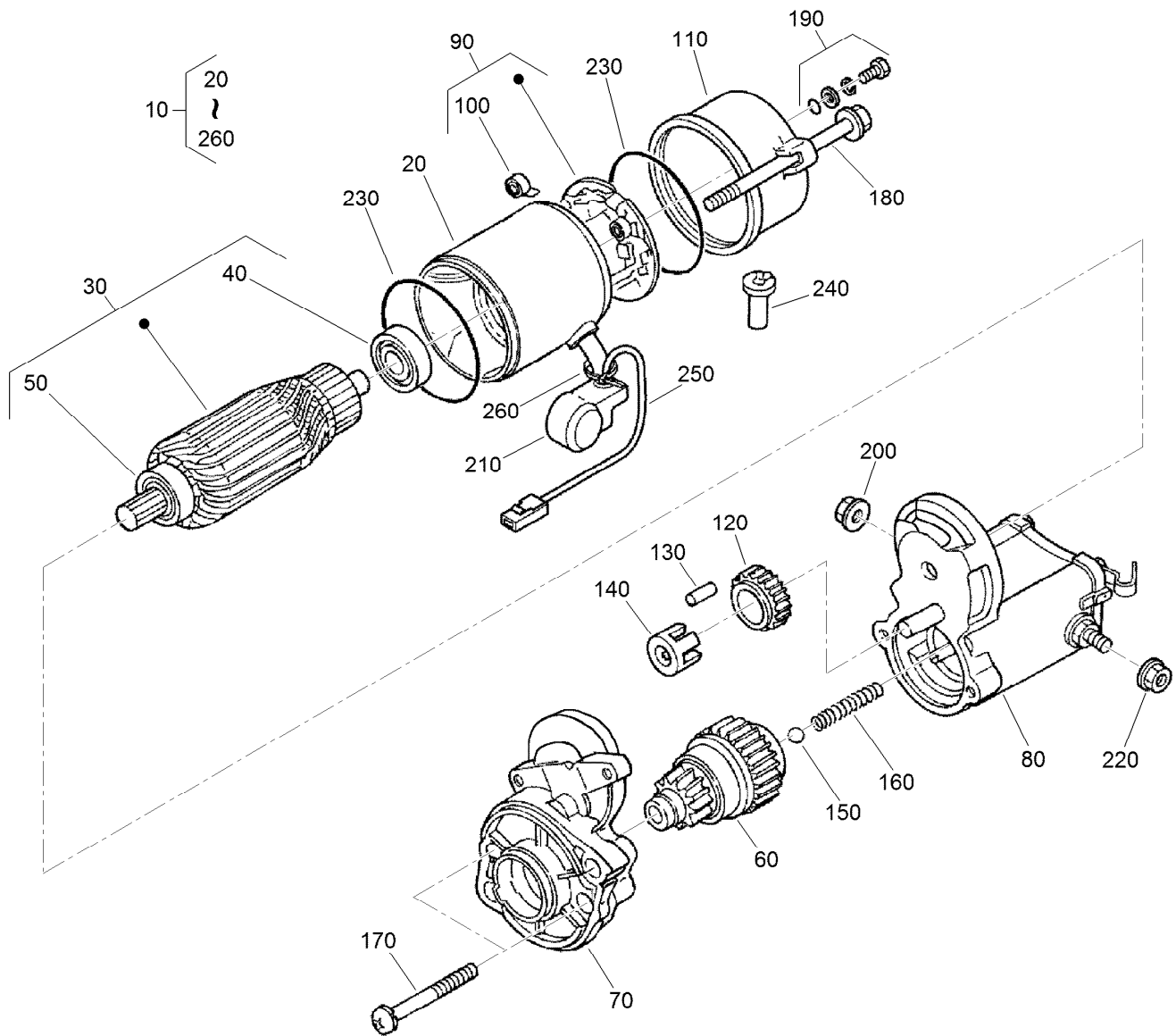
| Ref. | Part Number | Qty. | Description |
|------|-------------|------|---------------------|
| 10 | 131-6557 | 1 | Alternator ASM |
| 20 | 98-9453 | 1 | Pulley-Dynamo |
| 30 | 98-7708 | 1 | Nut |
| 40 | 98-7709 | 1 | Collar |
| 50 | 107-0136 | 1 | Rotor ASM |
| 60 | 98-7711 | 1 | Cover-Bearing |
| 70 | 107-0138 | 1 | Bearing-Ball |
| 80 | 98-7713 | 1 | Washer-Thrust |
| 90 | 107-0139 | 1 | Drive End Frame ASM |
| 100 | 98-7715 | 1 | Plate-Retainer |
| 110 | 98-7716 | 4 | Screw-Head, Round |
| 120 | 98-7717 | 2 | Bolt-Through |
| 130 | 131-6560 | 1 | *obs* Bearing-Ball |
| 140 | 107-9087 | 1 | Frame-End |

| Ref. | Part Number | Qty. | Description |
|------|-------------|------|--------------------|
| 150 | 107-0140 | 1 | Cover-End |
| 160 | 98-7721 | 1 | Rectifier ASM |
| 170 | 98-7722 | 1 | Bushing-Insulation |
| 180 | 107-0141 | 1 | Brush Holder ASM |
| 190 | 98-7724 | 2 | Brush |
| 200 | 98-7725 | 2 | Spring-Brush |
| 210 | 98-7726 | 2 | Screw-Head, Round |
| 220 | 98-7727 | 6 | Screw-Head, Round |
| 230 | 98-7728 | 1 | Screw-Head, Round |
| 240 | 98-7729 | 3 | Bolt |
| 250 | 98-7730 | 2 | Nut |
| 260 | 98-7731 | 2 | Bolt |
| 270 | 98-7732 | 1 | Nut |
| 280 | 110-3799 | 1 | Regulator ASM |



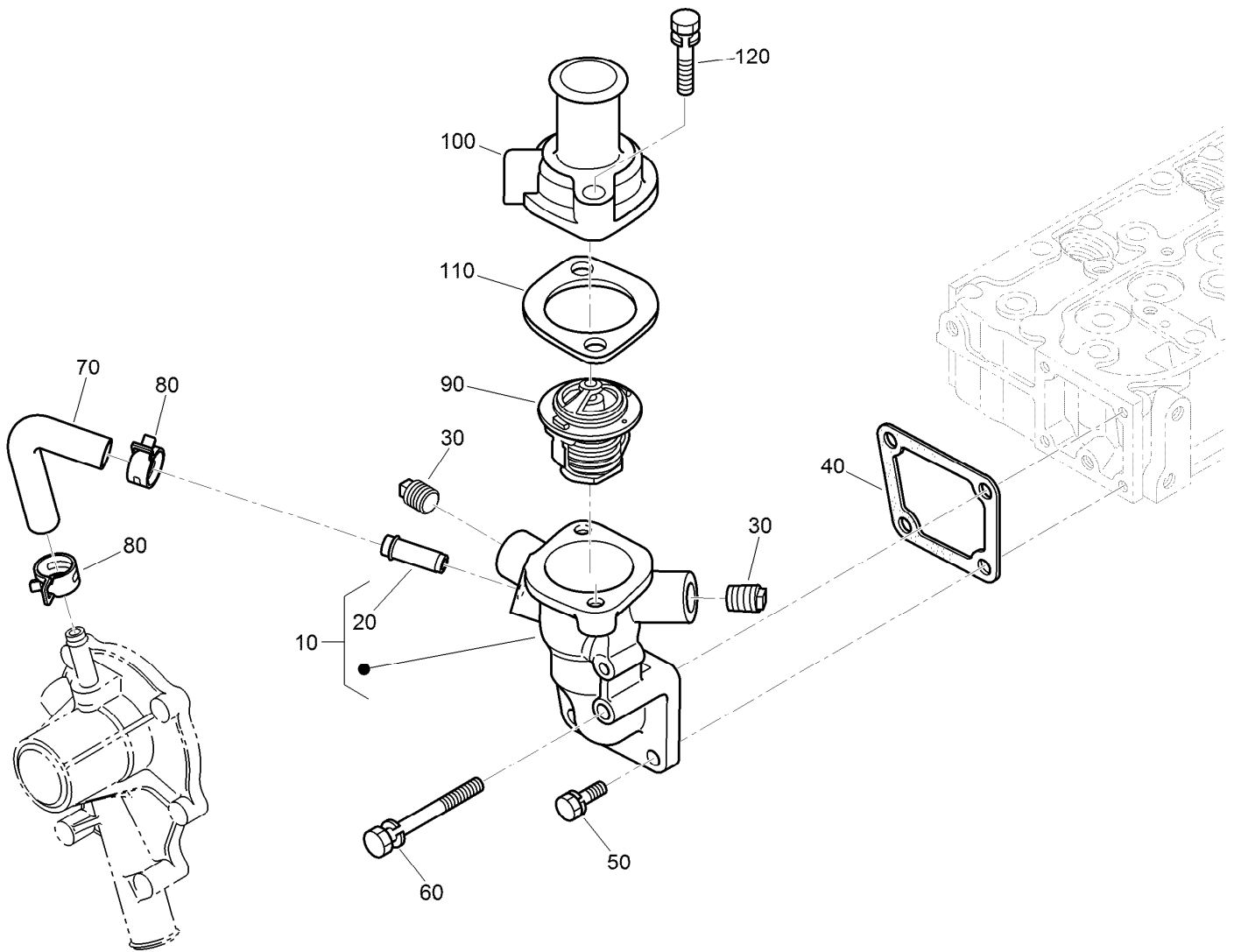
Starter Installation Assembly

| <i>Ref.</i> | <i>Part Number</i> | <i>Qty.</i> | <i>Description</i> |
|-------------|--------------------|-------------|---------------------|
| 10 | 132-4948 | 1 | Starter |
| 20 | 98-7697 | 2 | Bolt |
| 30 | 98-7739 | 1 | Nut |
| 40 | 131-9579 | 1 | Washer-Spring, Lock |



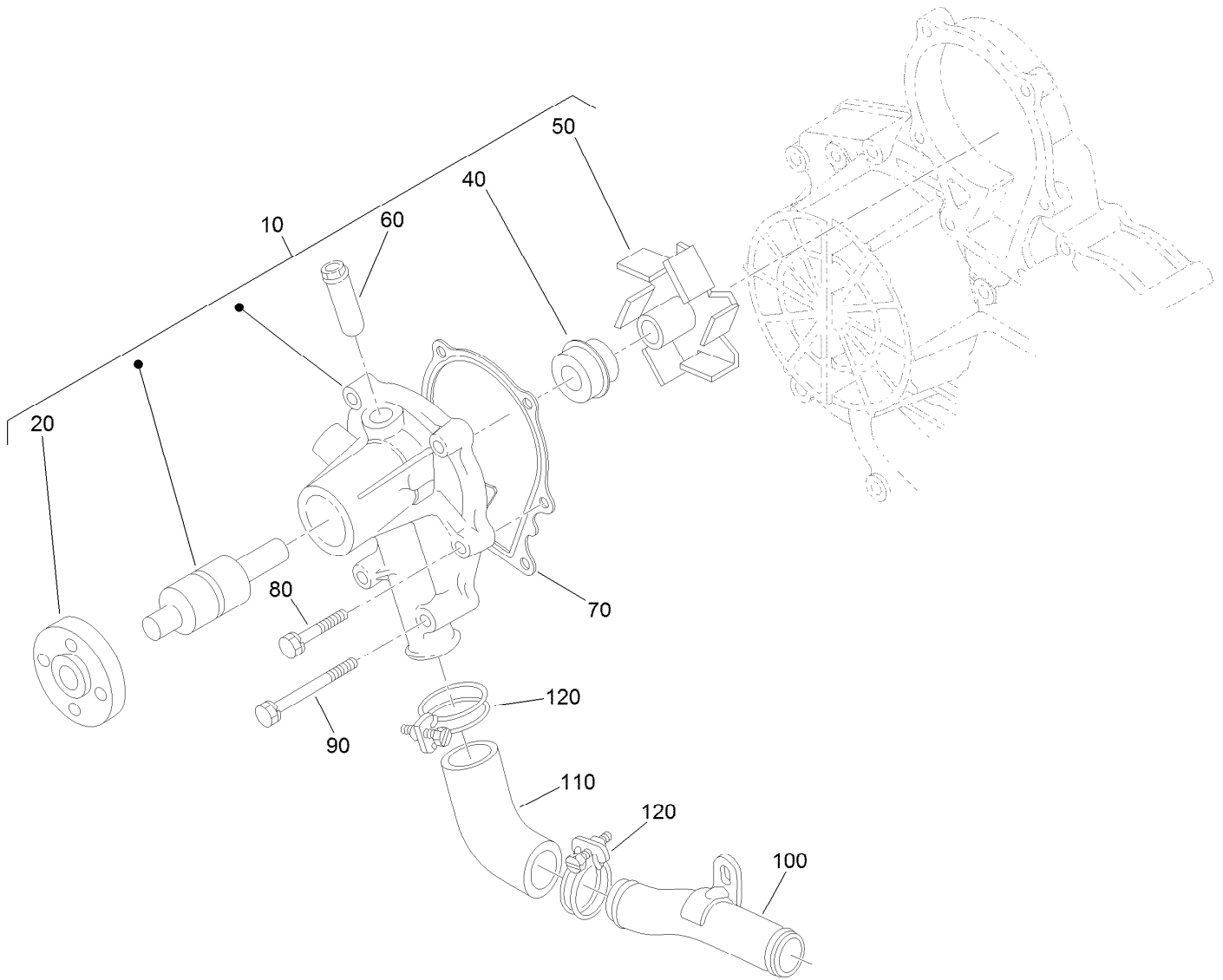
Starter Component Assembly

| <i>Ref.</i> | <i>Part Number</i> | <i>Qty.</i> | <i>Description</i> | <i>Ref.</i> | <i>Part Number</i> | <i>Qty.</i> | <i>Description</i> |
|-------------|--------------------|-------------|---------------------|-------------|--------------------|-------------|---------------------|
| 10 | 132-4948 | 1 | Starter | 140 | 98-7752 | 1 | Retainer |
| 20 | 132-4949 | 1 | Yoke | 150 | 98-7755 | 1 | Ball |
| 30 | 132-4930 | 1 | Armature | 160 | 98-7754 | 1 | Spring |
| 40 | 98-7743 | 1 | Bearing | 170 | 98-7756 | 2 | Bolt |
| 50 | 98-7744 | 1 | Bearing | 180 | 100-2210 | 2 | Bolt-Through |
| 60 | 132-4934 | 1 | Clutch ASM | 190 | 98-7758 | 2 | Bolt ASM |
| 70 | 132-4933 | 1 | Housing ASM | 200 | 99-8376 | 1 | Nut-Hex |
| 80 | 105-3746 | 1 | Magnetic Switch ASM | 210 | 99-8375 | 1 | Cover |
| 90 | 132-4932 | 1 | Holder-Brush | 220 | 99-8371 | 1 | Nut-Hex |
| 100 | 132-4931 | 4 | Spring-Brush | 230 | 98-7757 | 2 | O-Ring |
| 110 | 132-4935 | 1 | Frame End ASM | 240 | 98-7759 | 1 | Pipe-Drain |
| 120 | 98-7751 | 1 | Gear | 250 | 98-9711 | 1 | Cord-Solenoid, Stop |
| 130 | 98-7753 | 5 | Roller | 260 | 98-9712 | 1 | Band-Cover |



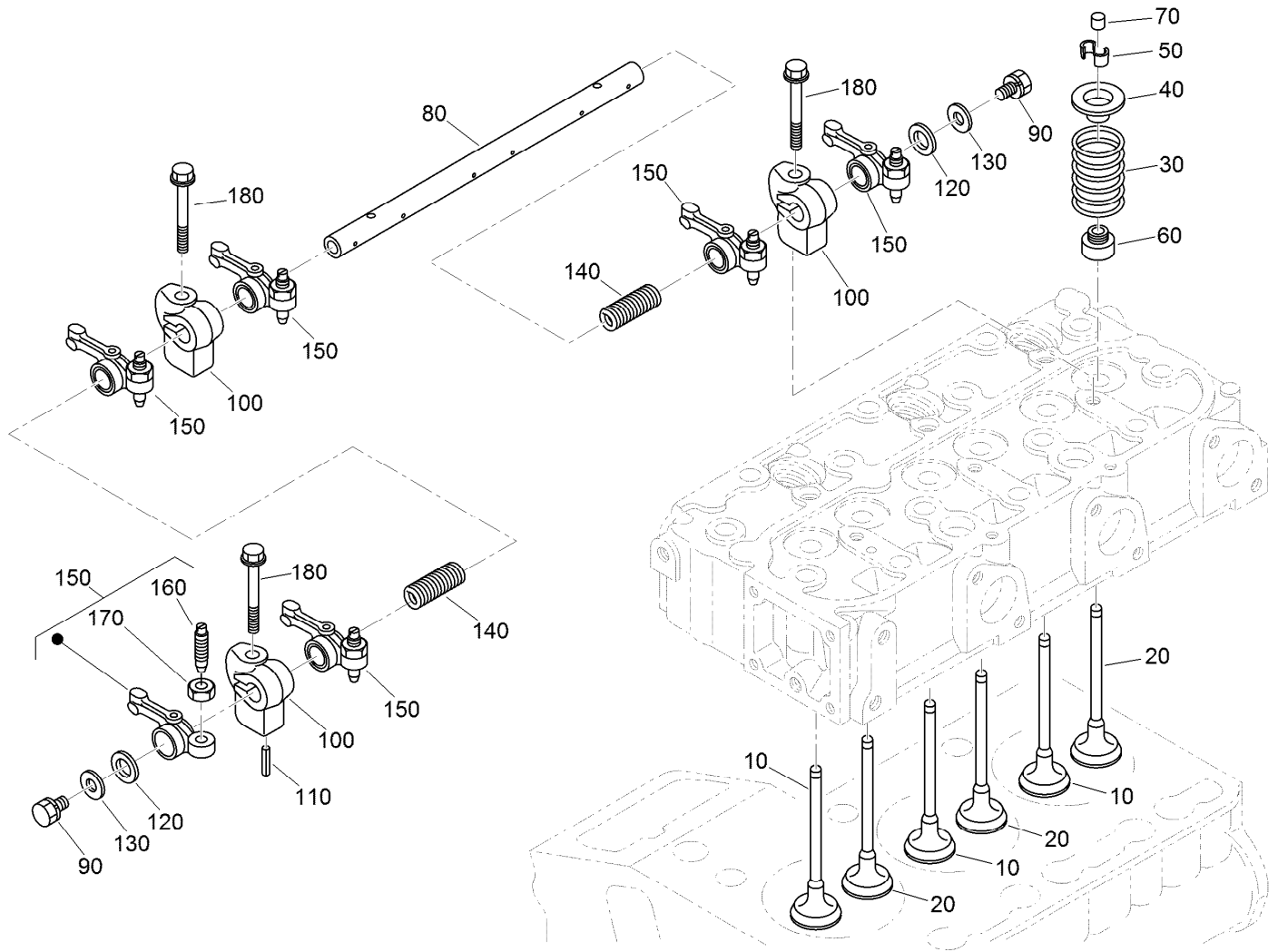
Water Flange and Thermostat Assembly

| <i>Ref.</i> | <i>Part Number</i> | <i>Qty.</i> | <i>Description</i> |
|-------------|--------------------|-------------|----------------------|
| 10 | 132-4943 | 1 | Water Flange ASM |
| 20 | 98-9580 | 1 | Pipe-Return, Water |
| 30 | 110-3821 | 2 | Plug |
| 40 | 98-9638 | 1 | Gasket-Flange, Water |
| 50 | 98-7692 | 3 | Bolt |
| 60 | 98-9356 | 1 | Bolt |
| 70 | 98-9578 | 1 | Pipe-Return, Water |
| 80 | 125-9078 | 2 | Clamp-Hose |
| 90 | 98-7778 | 1 | Thermostat ASM |
| 100 | 98-9471 | 1 | Cover-Thermostat |
| 110 | 105-3748 | 1 | Gasket-Thermostat |
| 120 | 98-7777 | 2 | Bolt |



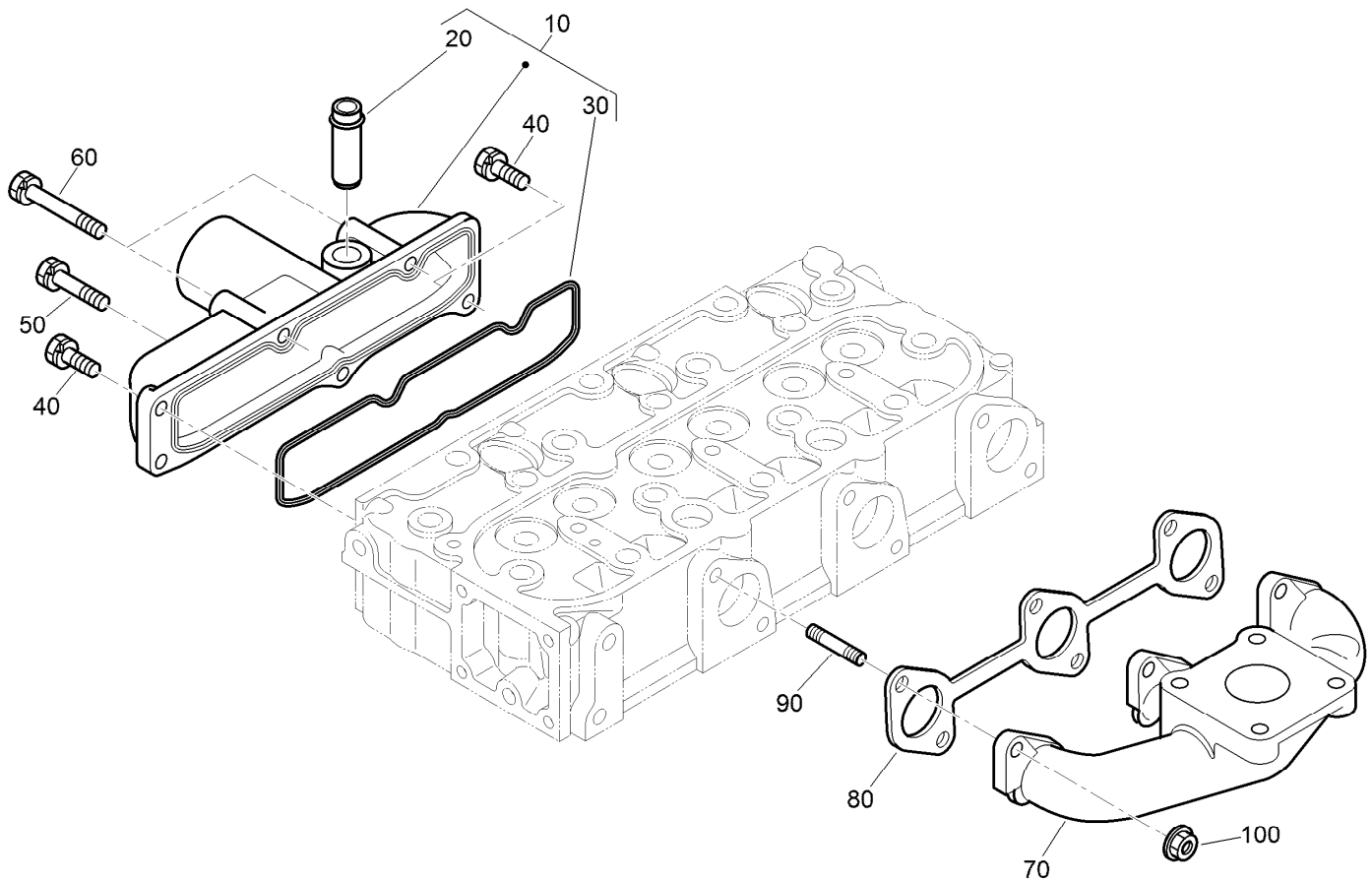
Water Pump Assembly

| <i>Ref.</i> | <i>Part Number</i> | <i>Qty.</i> | <i>Description</i> |
|-------------|--------------------|-------------|----------------------|
| 10 | 107-9089 | 1 | Water Pump ASM |
| 20 | 99-3516 | 1 | Flange-Pump, Water |
| 40 | 105-3750 | 1 | Mechanical Seal ASM |
| 50 | 112-7017 | 1 | Impeller-Pump, Water |
| 60 | 100-1932 | 1 | Pipe-Return, Water |
| 70 | 99-3454 | 1 | Gasket-Pump, Water |
| 80 | 98-9353 | 4 | Bolt |
| 90 | 107-9090 | 4 | Bolt |
| 100 | 98-9716 | 1 | Pipe-Water |
| 110 | 107-9091 | 1 | Pipe-Water |
| 120 | 127-0439 | 2 | Clamp-Hose |



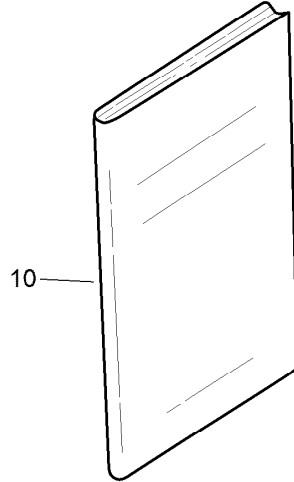
Valve and Rocker Arm Assembly

| <i>Ref.</i> | <i>Part Number</i> | <i>Qty.</i> | <i>Description</i> | <i>Ref.</i> | <i>Part Number</i> | <i>Qty.</i> | <i>Description</i> |
|-------------|--------------------|-------------|----------------------|-------------|--------------------|-------------|--------------------------|
| 10 | 112-7018 | 3 | Valve-Inlet | 100 | 98-9505 | 3 | Bracket-Arm, Rocker |
| 20 | 120-2564 | 3 | Valve-Exhaust | 110 | 105-3758 | 1 | Pin-Spring |
| 30 | 98-9648 | 6 | Spring-Valve | 120 | 98-9507 | 2 | Washer-Shaft, Rocker Arm |
| 40 | 107-9092 | 6 | Retainer-Spring | 130 | 110-3832 | 2 | Washer-Plain |
| 50 | 98-9390 | 6 | Collet-Spring, Valve | 140 | 98-9504 | 2 | Spring-Arm, Rocker |
| 60 | 99-8385 | 6 | Seal-Stem, Valve | 150 | 112-7020 | 6 | Rocker Arm ASM |
| 70 | 98-9497 | 6 | Cap-Valve | 160 | 98-9502 | 6 | Screw-Adjusting |
| 80 | 130-1248 | 1 | Shaft-Arm, Rocker | 170 | 98-9503 | 6 | Nut |
| 90 | 108-2873 | 2 | Bolt-Flange | 180 | 117-8832 | 3 | Bolt |



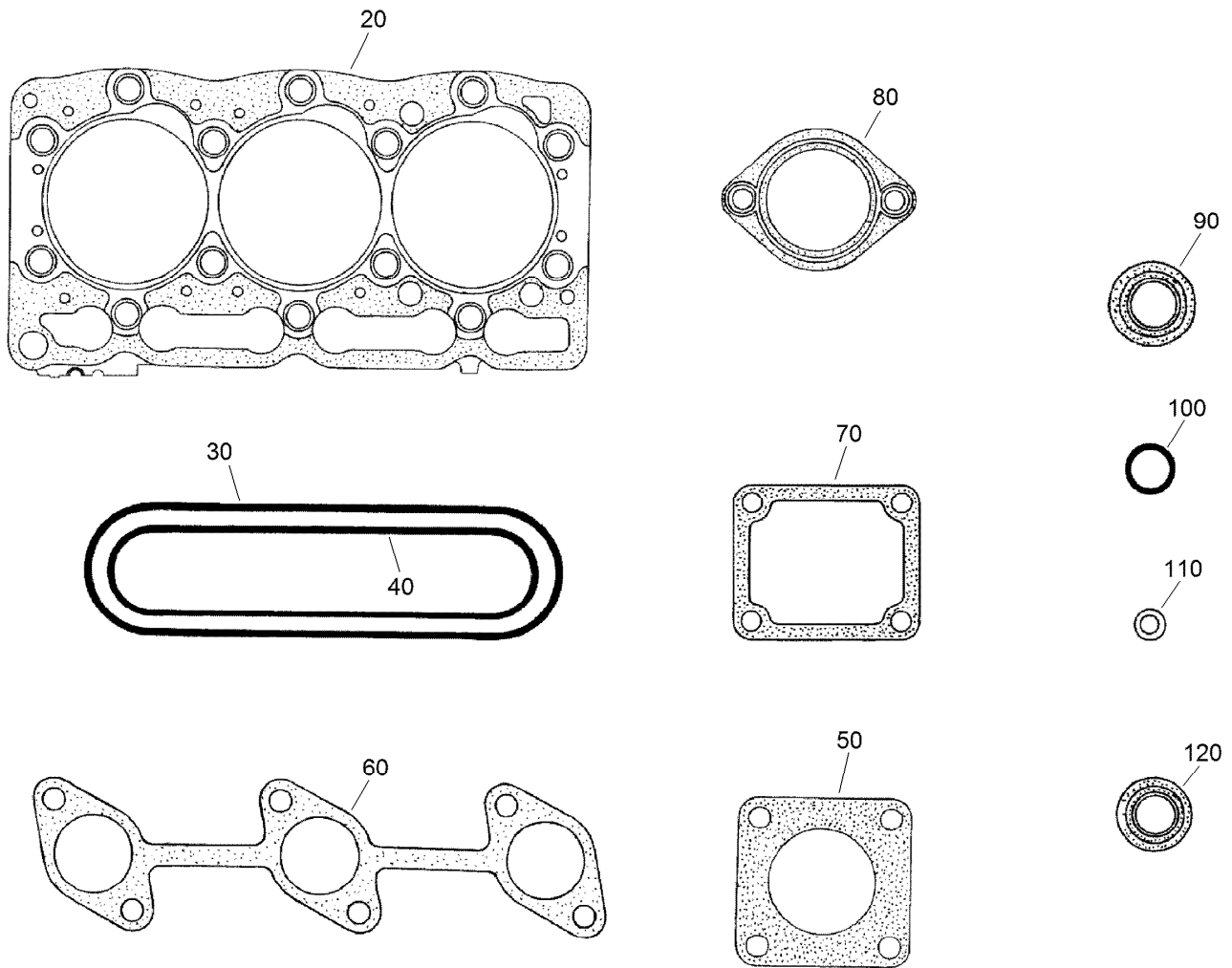
Inlet and Exhaust Manifold Assembly

| Ref. | Part Number | Qty. | Description |
|------|-------------|------|--------------------------|
| 10 | 108-6577 | 1 | Inlet Manifold ASM |
| 20 | 98-9492 | 1 | Joint-Pipe, Breather |
| 30 | 98-9609 | 1 | Gasket-Manifold, Inlet |
| 40 | 127-0403 | 3 | Bolt-Flange |
| 50 | 98-9353 | 1 | Bolt |
| 60 | 105-3797 | 2 | Bolt |
| 70 | 117-8847 | 1 | Manifold-Exhaust |
| 80 | 99-8327 | 1 | Gasket-Manifold, Exhaust |
| 90 | 98-9588 | 6 | Stud |
| 100 | 98-9665 | 6 | Nut |



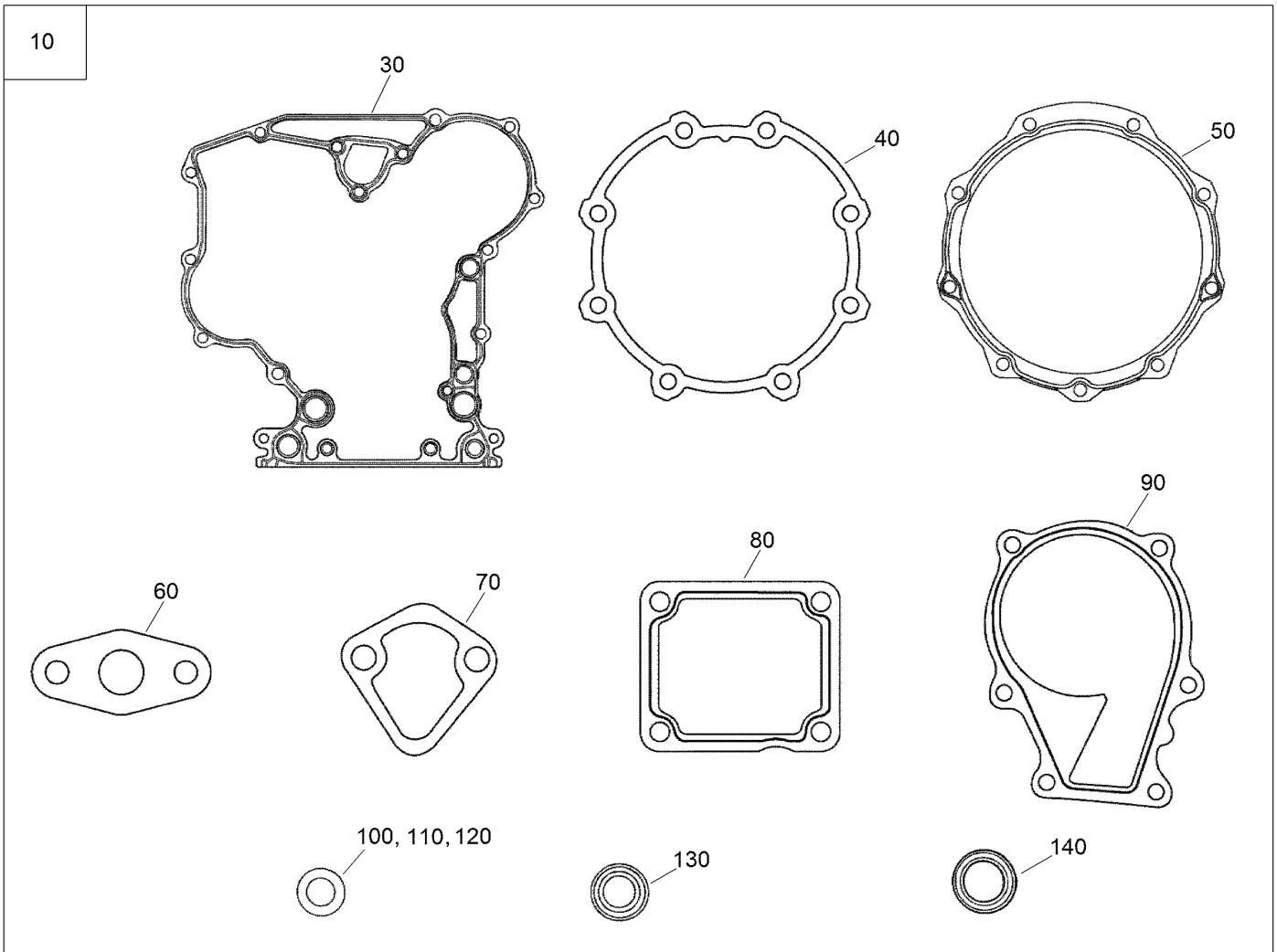
Accessories and Service Parts

| <i>Ref.</i> | <i>Part Number</i> | <i>Qty.</i> | <i>Description</i> |
|-------------|--------------------|-------------|--------------------|
| 10 | 130-1543 | 1 | Manual-Operator |



Upper Gasket Kit

| <i>Ref.</i> | <i>Part Number</i> | <i>Qty.</i> | <i>Description</i> |
|-------------|--------------------|-------------|--------------------------|
| 10 | 117-8833 | 1 | Upper Gasket Kit |
| 20 | 108-6573 | 1 | Gasket-Head, Cylinder |
| 30 | 117-8806 | 1 | Gasket-Cover, Head |
| 40 | 98-9609 | 1 | Gasket-Manifold, Inlet |
| 50 | 99-8343 | 1 | Gasket-Muffler |
| 60 | 99-8327 | 1 | Gasket-Manifold, Exhaust |
| 70 | 98-9638 | 1 | Gasket-Flange, Water |
| 80 | 105-3748 | 1 | Gasket-Thermostat |
| 90 | 98-7677 | 3 | Seal-Heat |
| 100 | 99-3446 | 2 | O-Ring |
| 110 | 98-7676 | 3 | Gasket |
| 120 | 99-8385 | 6 | Seal-Stem, Valve |



Lower Gasket Kit

| Ref. | Part Number | Qty. | Description |
|-------------|--------------------|-------------|----------------------|
| 10 | 117-8834 | 1 | Lower Gasket Kit |
| 30 | 117-8835 | 1 | Gasket-Case, Gear |
| 40 | 131-6554 | 1 | Gasket-Case, Bearing |
| 50 | 112-7037 | 1 | Gasket-Cover, Case |
| 60 | 98-9682 | 1 | Gasket |
| 70 | 117-7562 | 1 | Gasket-Pump, Fuel |
| 80 | 98-9637 | 1 | Gasket |
| 90 | 99-3454 | 1 | Gasket-Pump, Water |
| 100 | 98-7654 | 6 | Gasket |
| 110 | 98-7524 | 1 | Gasket |
| 120 | 110-9715 | 1 | Gasket-Pan, Oil |
| 130 | 98-9482 | 1 | Seal-Oil |
| 140 | 112-0180 | 1 | Seal-Oil |

Attachments and Accessories

For 22327 TX 1000 Compact Utility Loader

| Product Name | Model/Part |
|-----------------------------------|-------------------|
| Standard Bucket | 22340 |
| Adjustable Forks | 22341 |
| High Volume Bucket | 22342 |
| 48in Hydraulic Blade | 22414 |
| Bore Drive Head | 22420 |
| Rod and Reamer | 22421 |
| Multi-Purpose Tool | 22423 |
| Direct Drive Power Box Rake | 22426 |
| Stump Grinder | 22429 |
| Tree Forks | 22438 |
| Cement Bowl | 22442 |
| 40in Tiller | 22445 |
| Snowthrower..... | 22456 |
| Crumber Kit | 22464 |
| Trench Filler..... | 22472 |
| High-Torque Trencher Head | 22473 |
| High-Speed Trencher Head | 22474 |
| Narrow Bucket..... | 22520 |
| Grapple Rake | 22521 |
| Auger Head | 22805 |
| Universal Swivel Auger Head | 22806 |
| 18in Auger Bit | 22814 |
| 24in Auger Bit | 22815 |
| 30in Auger Bit | 22816 |
| 12in Auger Bit Extension | 22818 |
| 24in Auger Bit Extension | 22819 |
| 6in Full-Flight Auger Bit | 22820 |
| 9in Full-Flight Auger Bit | 22821 |
| 12in Full-Flight Auger Bit..... | 22822 |
| 15in Full-Flight Auger Bit..... | 22823 |
| Vibratory Plow | 22911 |
| Soil Cultivator | 23102 |
| Concrete Breaker | 23135 |
| Leveler..... | 23165 |

For 22327G TX 1000 Compact Utility Loader

| Product Name | Model/Part |
|----------------------------|-------------------|
| Standard Bucket | 22340 |
| Adjustable Forks | 22341 |
| High Volume Bucket | 22342 |
| 48in Hydraulic Blade | 22414 |
| Bore Drive Head | 22420 |
| Rod and Reamer | 22421 |
| Multi-Purpose Tool..... | 22423 |

Attachments and Accessories (continued)

| | |
|-----------------------------------|-------|
| Direct Drive Power Box Rake | 22426 |
| Stump Grinder | 22429 |
| Tree Forks | 22438 |
| Cement Bowl | 22442 |
| 40in Tiller | 22445 |
| Snowthrower..... | 22456 |
| Crumber Kit | 22464 |
| Trench Filler..... | 22472 |
| High-Torque Trencher Head | 22473 |
| High-Speed Trencher Head | 22474 |
| Narrow Bucket..... | 22520 |
| Grapple Rake | 22521 |
| Auger Head | 22805 |
| Universal Swivel Auger Head | 22806 |
| 18in Auger Bit | 22814 |
| 24in Auger Bit | 22815 |
| 30in Auger Bit | 22816 |
| 12in Auger Bit Extension | 22818 |
| 24in Auger Bit Extension | 22819 |
| 6in Full-Flight Auger Bit | 22820 |
| 9in Full-Flight Auger Bit | 22821 |
| 12in Full-Flight Auger Bit..... | 22822 |
| 15in Full-Flight Auger Bit..... | 22823 |
| Vibratory Plow | 22911 |
| Soil Cultivator | 23102 |
| Concrete Breaker | 23135 |
| Leveler..... | 23165 |

Notes:

Notes:

Notes:



Count on it.