



**Count on it.**

**Parts Catalog**

**55cm Recycler®**

**Lawn Mower**

Model No. 20958—Serial No. 404320000 and Up



# Ordering Replacement Parts

To order replacement parts, please supply the part number, the quantity, and the description of each part desired.

## Understanding Reference Numbers

Each identified part in an illustration has a reference number. The reference number for a part also appears in the parts list, along with other information about the part.

This catalog uses two special reference number formats, one to indicate parts in a service assembly and another to indicate the quantity of a given part in an illustration.

## Service Assembly Reference Numbers

Parts in service assemblies have reference numbers in the form a:b. The a represents the reference number of the entire service assembly and the b represents a sequential number unique to each part within the service assembly.

For example, a wheel assembly might be identified by reference number 6, the tire by 6:1, the valve by 6:2, and the wheel by 6:3. When you order the assembly identified by reference number 6, you receive all parts identified by reference numbers 6:1, 6:2, and 6:3. However, you may also order any part individually. Reference numbers of this type appear in illustration and in parts lists.

## Reference Numbers Indicating Quantity

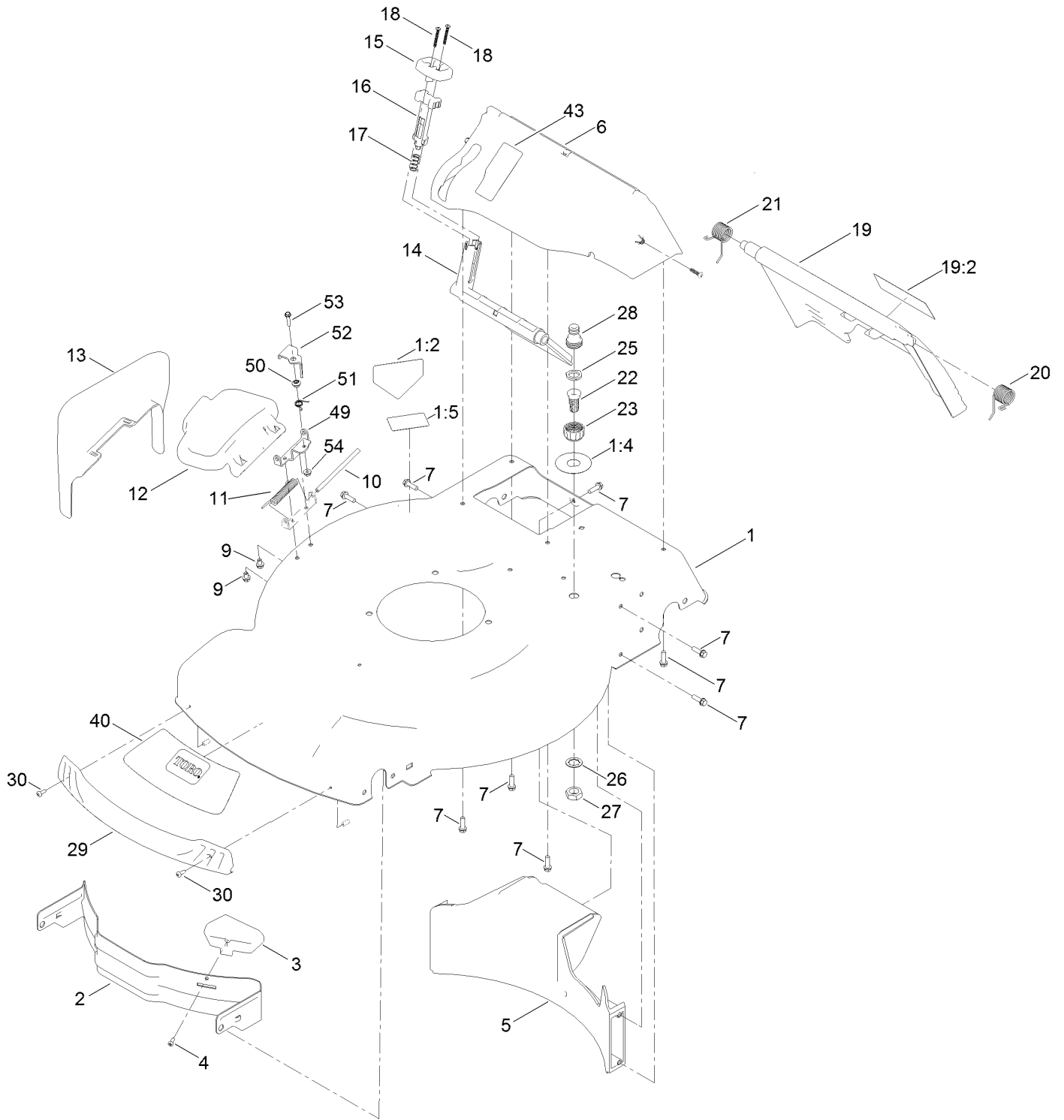
In an illustration, if a reference number indicates more than one part, the reference number has the form nX y. The n represents the quantity of the part, the X is the multiplication symbol, and the y represents the reference number.

For example, in an illustration, the reference number 2X 37 means that two of the parts identified by reference number 37 are indicated.

# Contents

Housing Assembly .....	4
Rear Bag Assembly .....	6
Engine and Blade Assembly .....	8
Front Wheel and Height-of-Cut Assembly .....	10
Rear Wheel and Height-of-Cut Assembly .....	12
Handle and Control Assembly .....	14
Upper Handle Component Assembly .....	16
Attachments and Accessories .....	18

# Housing Assembly



## Housing Assembly (continued)

<i>Ref.</i>	<i>Part Number</i>	<i>Qty.</i>	<i>Description</i>	<i>Ref.</i>	<i>Part Number</i>	<i>Qty.</i>	<i>Description</i>
1	130-2390	1	Housing ASM	19:2	131-4514	1	Decal-Warning
1:2	112-8760	1	Decal-Danger	20	115-2859	1	Spring-Torsion
1:4	137-9196	1	Decal-Quick Wash	21	114-7924	1	Spring-Torsion
1:5	125-5092	1	Decal-Placement, Foot	22	112-6400	1	Port-Washout
2	115-4667-01	1	Baffle-Front	23	112-6401	1	Coupling-Hose, Washout Port
3	115-4672	1	Kicker-Front	25	112-6438	1	Washer-Seal, Washout Port
4	32144-111	1	Screw-PPH	26	3254-5	1	Washer-Lock
5	114-7961	1	Baffle-Rear	27	3218-6	1	Nut-Jam
6	136-5882	1	Chute-Recycle	28	112-6437	1	Adapter-Connect, Quick
7	46-8091	9	Screw-HWH	29	114-7987	1	Bumper
9	99-8445	2	Screw-HWH	30	105-6849	2	Screw-Forming, Thread
10	99-5291	1	Rod-Cover	40	120-3324	1	Decal
11	99-5293	1	Spring-Torsion	43	125-5026	1	Decal
12	138-5316	1	Deflector-Discharge, Side	49	138-3293	1	Bracket-Lockout
13	115-8447	1	Chute-Discharge, Side	50	107-7463	1	Spacer
14	114-7960	1	Deflector-Recycle	51	107-7462	1	Spring-Torsion
15	114-7958	1	Knob-Recycle	52	138-3292	1	Lever-Lockout
16	114-7959	1	Latch-Recycle	53	106-9169	1	Screw-HWH
17	117-1031	1	Spring-Compression	54	32128-17	1	Nut-Lock, Flange
18	32104-120	2	Screw-PPH				
19	137-9139	1	Rear Door ASM				

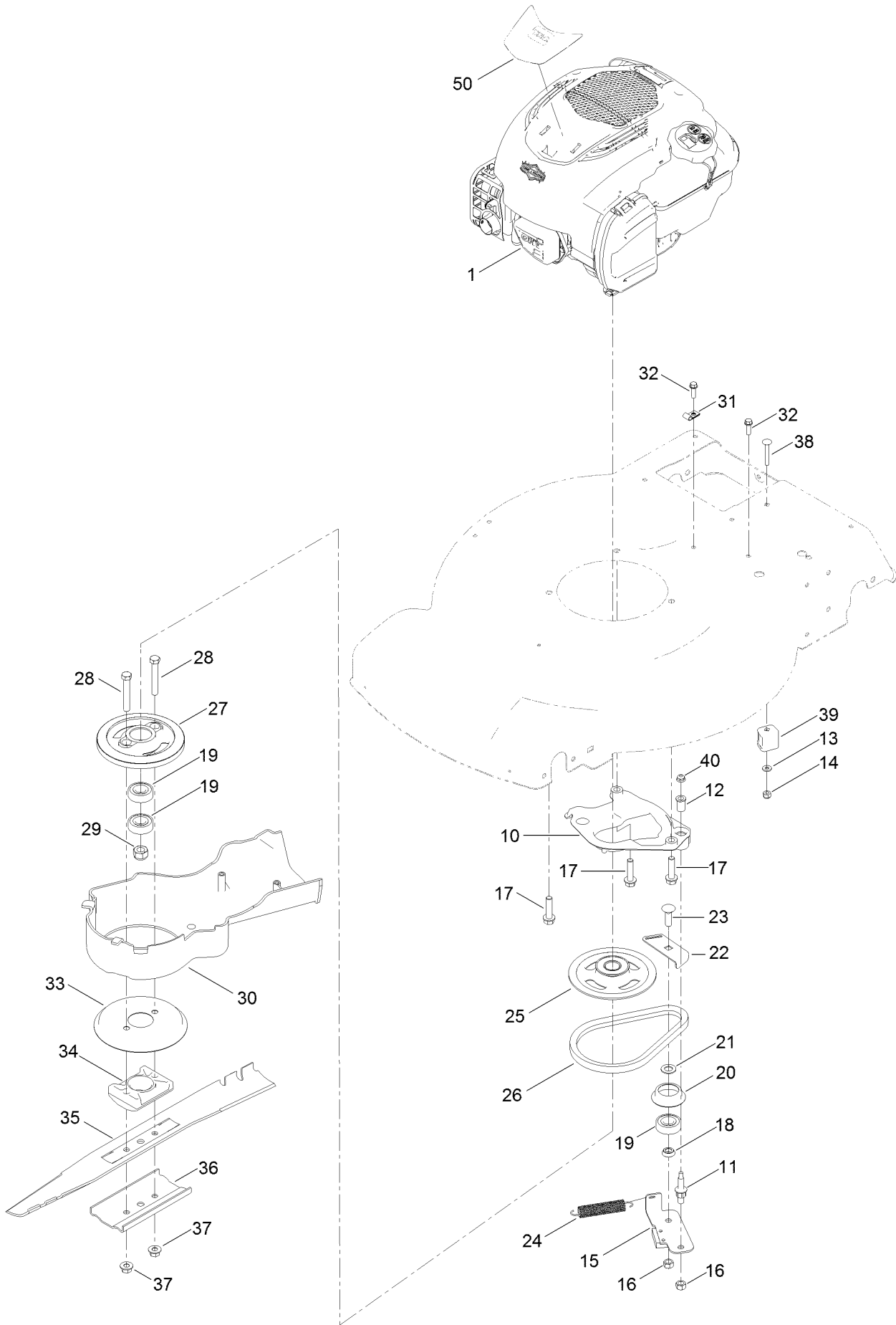
# Rear Bag Assembly



## Rear Bag Assembly (continued)

<i>Ref.</i>	<i>Part Number</i>	<i>Qty.</i>	<i>Description</i>
1	132-4529-03	1	Bag Frame ASM
2	115-4673	1	Grass Bag ASM

# Engine and Blade Assembly





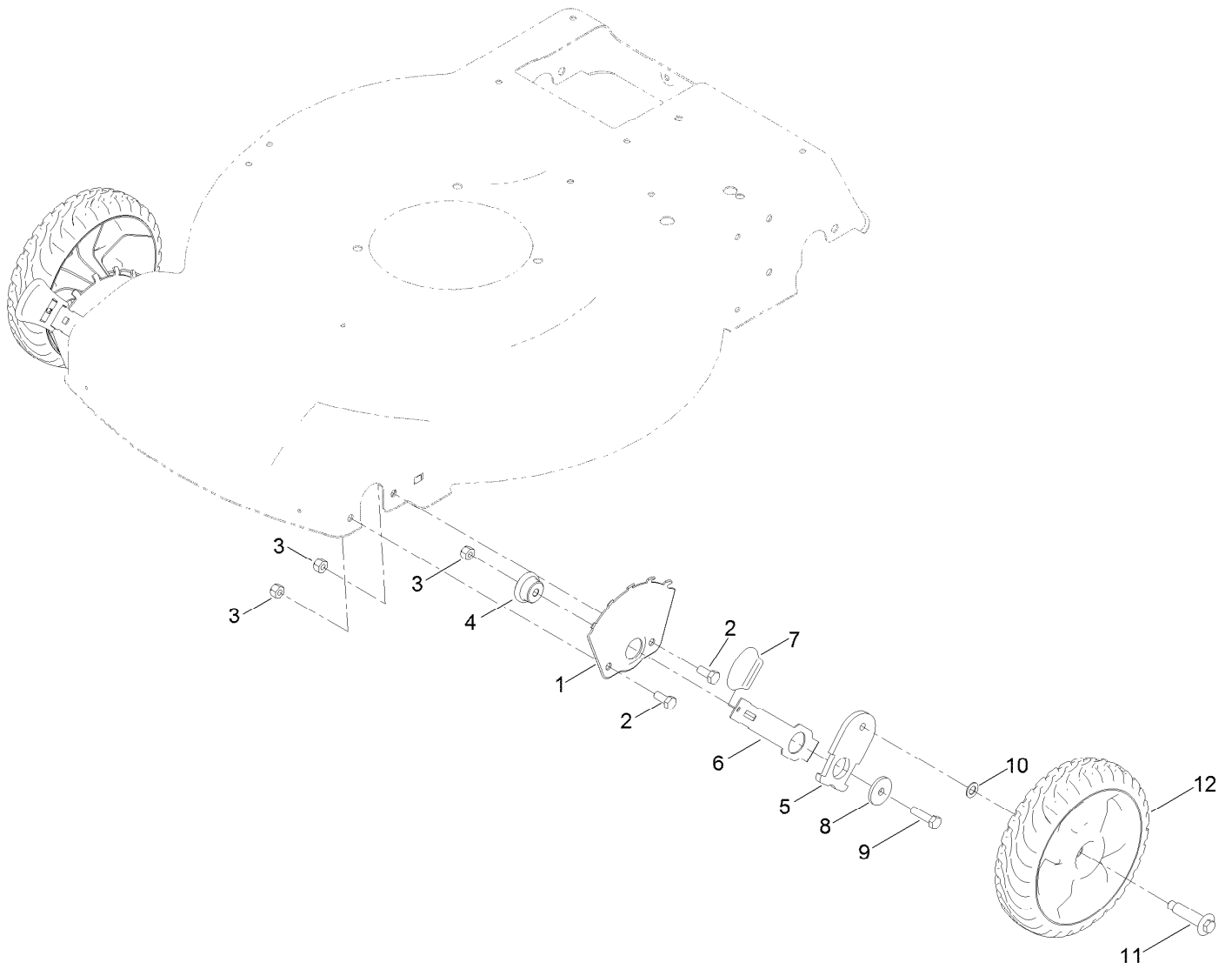
## Engine and Blade Assembly (continued)

<i>Ref.</i>	<i>Part Number</i>	<i>Qty.</i>	<i>Description</i>	<i>Ref.</i>	<i>Part Number</i>	<i>Qty.</i>	<i>Description</i>
1		1	Engine-Briggs 675 Exi BBC EU ● ■	25	117-5970	1	Pulley
10	132-4469	1	Plate-Anchor	26	110-1790	1	Belt
11	107-0759	1	Bolt-Shoulder	27	126-8108	1	Drum
12	107-0797	1	Bushing	28	3211-42	2	Screw-HH
13	3256-16	1	Washer-Flat	29	108-9342	1	Nut-Hex
14	3296-73	1	Nut-Lock, NI	30	115-2892	1	Cover
15	125-1063	1	Plate-Brake	31	2412-72	1	Clip-Closed, Insulated
16	603773	2	Locknut	32	46-8091	2	Screw-HWH
17	32144-102	3	Screw-HWH	33	138-3225	1	Disk
18	107-0758	1	Spacer-Bearing	34	107-7487	1	Support-Blade
19	38-7820	3	Bearing-Ball	35	131-9683-03	1	Blade
20	138-3217	1	Retainer-Belt	36	108-3766-03	1	Support-Blade
21	605256	1	Spacer	37	127-6852	2	Nut-Flange, Lock
22	138-3222	1	Plate-Guide	38	3229-5	1	Screw-CARR
23	119-4162	1	Screw-CARR	39	106-6801	1	Anchor-Cable
24	108-3792	1	Spring-Tension, Brake	40	104-7201	1	Nut-HF
				50	132-4472	1	Decal-Shroud

● Not serviced separately

■ Obtain parts from [www.briggsandstratton.com](http://www.briggsandstratton.com)

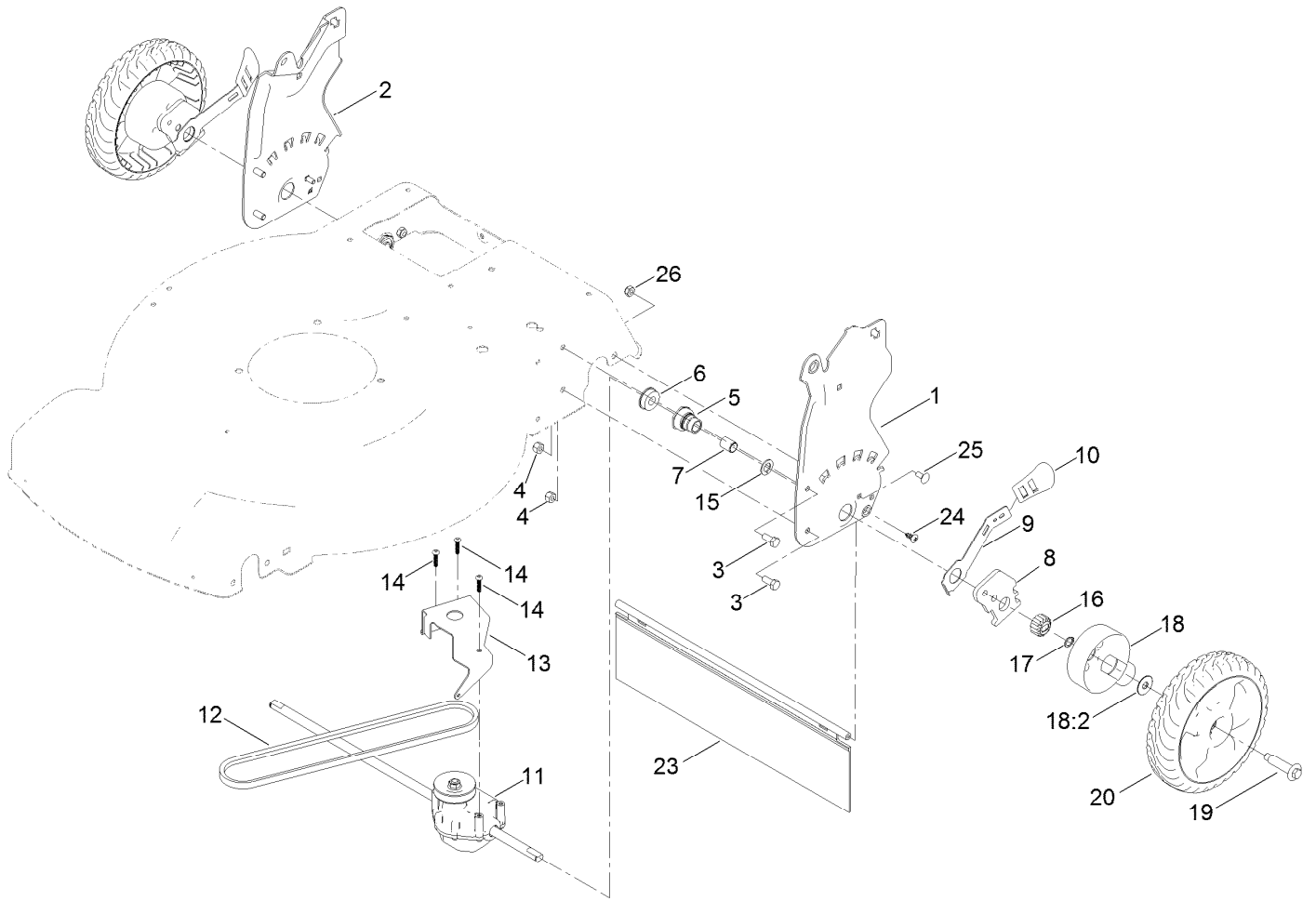
# Front Wheel and Height-of-Cut Assembly



## Front Wheel and Height-of-Cut Assembly (continued)

<i>Ref.</i>	<i>Part Number</i>	<i>Qty.</i>	<i>Description</i>	<i>Ref.</i>	<i>Part Number</i>	<i>Qty.</i>	<i>Description</i>
1	115-1956-03	2	Plate-HOC, Front	7	110-0549	2	Knob-HOC
2	322-3	4	Screw-HH	8	105-3048	2	Washer-Flat
3	3296-29	6	Nut-Lock, NI	9	322-6	2	Screw-HH
4	105-1818	2	Bushing-Mount, HOC	10	40-1940	2	Washer
5	137-9128	2	Arm-Pivot, Front	11	614650	2	Bolt-Shoulder
6	105-1809	2	Arm-Spring	12	137-4833	2	8In Wheel ASM

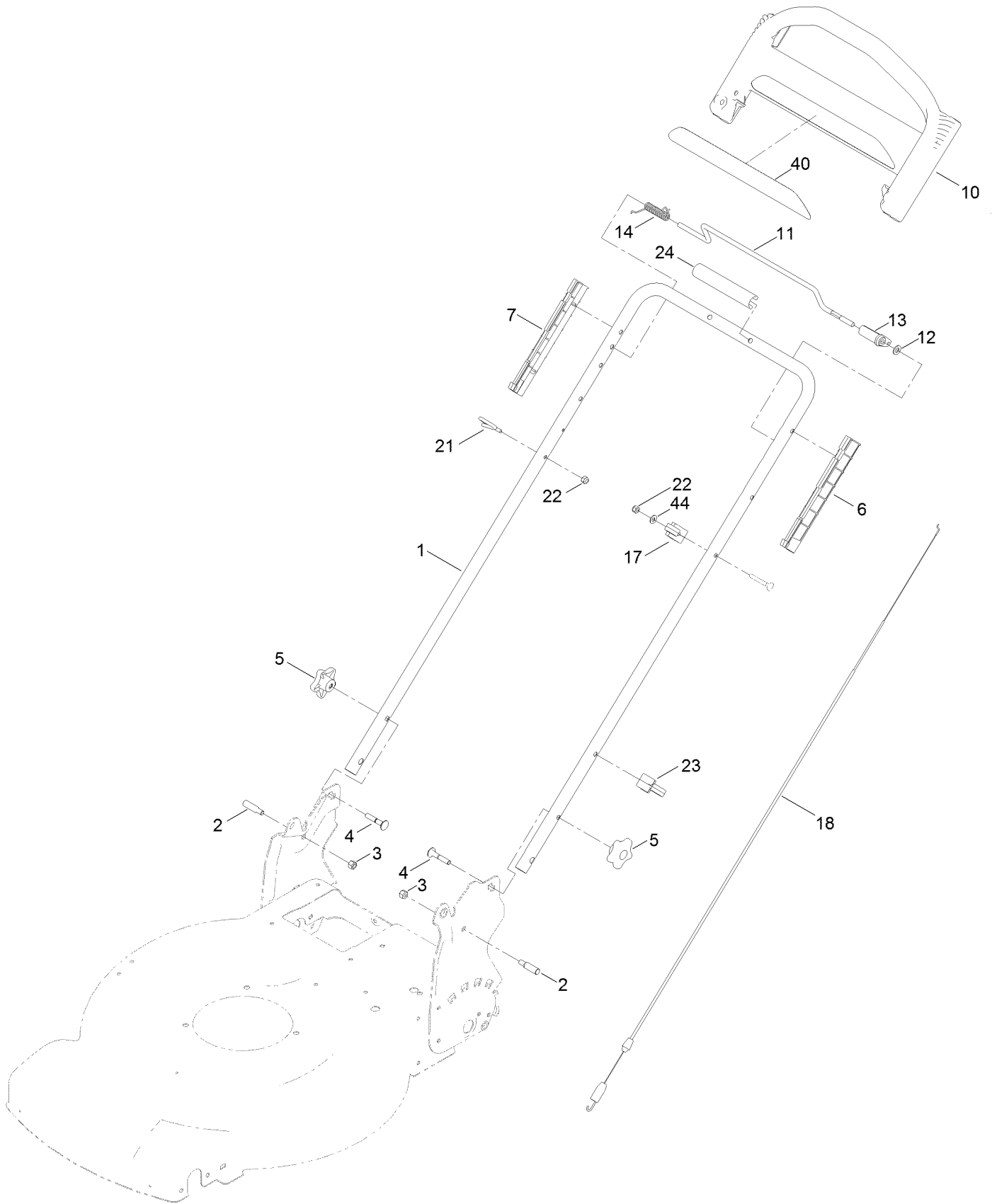
# Rear Wheel and Height-of-Cut Assembly



## Rear Wheel and Height-of-Cut Assembly (continued)

<i>Ref.</i>	<i>Part Number</i>	<i>Qty.</i>	<i>Description</i>	<i>Ref.</i>	<i>Part Number</i>	<i>Qty.</i>	<i>Description</i>
1	131-9693-03	1	Plate-HOC, LH	14	108-7476	3	Screw-Plastite
2	131-9694-03	1	Plate-HOC, RH	15	110-7191	2	Washer-Thrust
3	322-3	4	Screw-HH	16	131-5399	2	Gear-Pinion, 15T
4	3296-29	4	Nut-Lock, NI	17	32151-61	2	Ring-Retaining
5	108-9779	2	Retainer-Bushing, HOC	18	136-9059	2	Gear Cover ASM
6	104-8699	2	Bearing-Ball	18:2	614426	1	Washer-Stepped
7	108-9782	2	Bushing-Sleeve	19	614650	2	Bolt-Shoulder
8	136-9090	2	Arm-Pivot, Rear	20	137-4835	2	Wheel Gear ASM, 8In
9	108-9780	2	Arm-Spring	23	120-7012	1	Shield-Trailing
10	110-0549	2	Knob-HOC	24	117-1092	2	Screw-PTH
11	121-9178	1	Transmission ASM	25	3229-11	2	Screw-CARR
12	115-4669	1	Belt-V	26	3296-16	2	Nut-Lock, NI
13	114-7977-03	1	Bracket-Transmission				

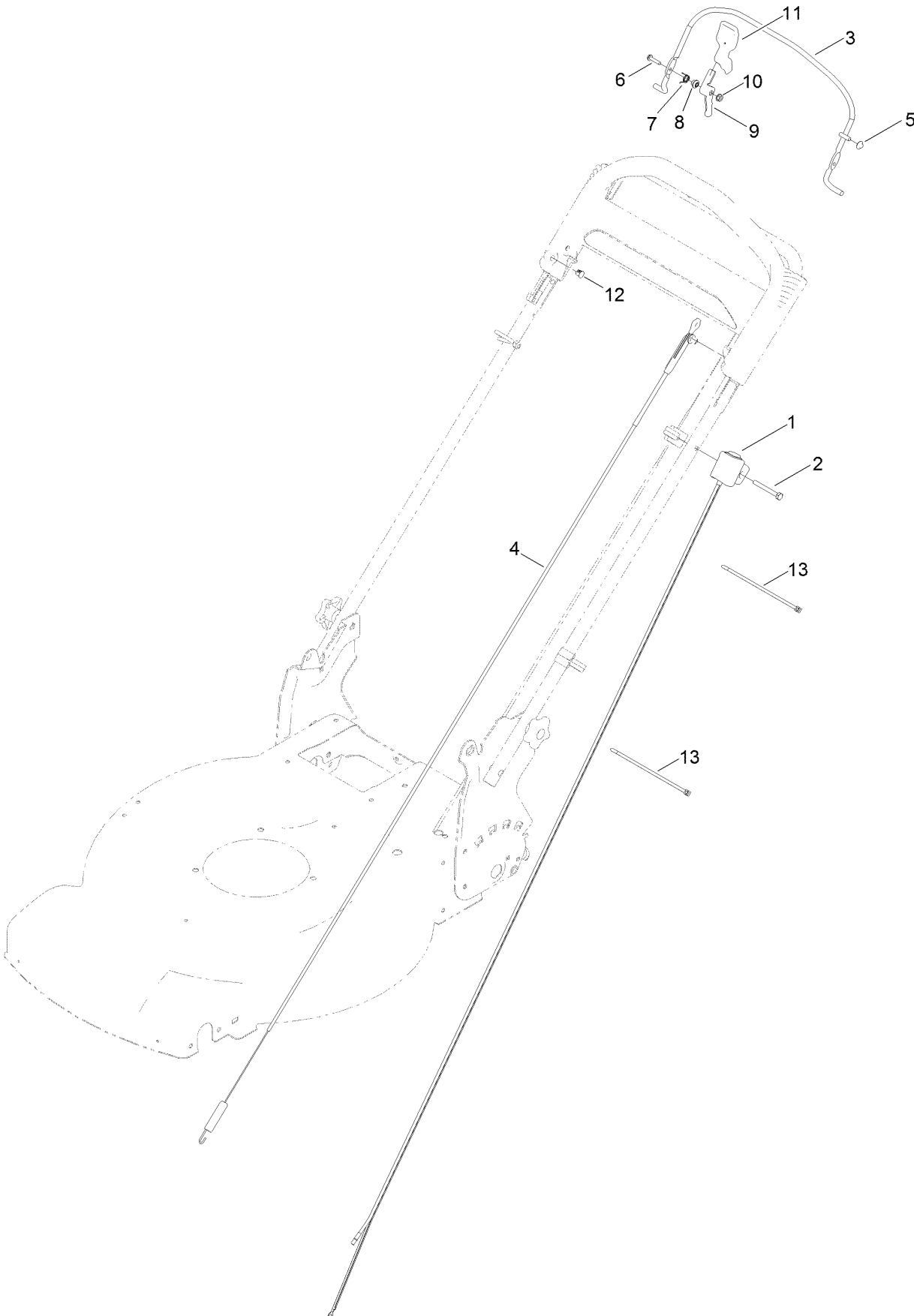
# Handle and Control Assembly



## Handle and Control Assembly (continued)

<i>Ref.</i>	<i>Part Number</i>	<i>Qty.</i>	<i>Description</i>	<i>Ref.</i>	<i>Part Number</i>	<i>Qty.</i>	<i>Description</i>
1	131-9695-05	1	Handle	13	99-1589	1	Lever-Traction
2	131-4591	2	Bolt-Shoulder	14	136-7166	1	Spring-Torsion
3	3296-29	2	Nut-Lock, NI	17	136-5864	1	Anchor-Cable
4	131-9663	2	Screw-CARR	18	115-8435	1	Cable-Traction
5	117-5976	2	Knob-Handle	21	86-9671	1	Guide-Rope
6	105-6842	1	Guide-LH	22	3296-73	2	Nut-Lock, NI
7	105-6841	1	Guide-RH	23	114-7988	1	Guide-Cable
10	104-8678	1	Handle-Control	24	131-4551	1	Handle-Cover
11	136-7150	1	Bar-Control, Traction	40	120-3911	1	Decal-Handle
12	3256-23	1	Washer-Plain	44	3256-1	1	Washer-Flat

# Upper Handle Component Assembly





## Upper Handle Component Assembly (continued)

<i>Ref.</i>	<i>Part Number</i>	<i>Qty.</i>	<i>Description</i>	<i>Ref.</i>	<i>Part Number</i>	<i>Qty.</i>	<i>Description</i>
1	117-5975	1	Switch Housing ASM	8	107-7463	1	Spacer
2	321-50	1	Screw-HH	9	138-3220	1	Lever
3	108-3788-03	1	Bail-Brake	10	32128-17	1	Nut-Lock, Flange
4	115-8439	1	Cable-Brake	11	112-8884	1	Knob
5	3290-337	1	Nut-Speed	12	104-9368	1	Plug-Dome
6	106-9169	1	Screw-HWH	13	614249	2	Tie-Cable
7	107-7462	1	Spring-Torsion				

# Attachments and Accessories

## For 20958 55cm Recycler Lawn Mower

<b>Product Name</b>	<b>Model/Part</b>
All Season Synthetic Oil (10W30, QT) .....	117-0066
4-Cycle Fuel, Snow And Lawn 32oz Can .....	131-3823
Traction Assist Handle Kit.....	131-4590
Toro Premium Fuel Treatment 12 Oz Bottle .....	131-6572
Lawn Striping Kit with 22in Roller.....	20601
Toro 4-Cycle SAE 30 Oil (32oz Bottle) .....	38903
Summer Oil-Case of 24 (20oz Bottles).....	38916
Replacement Drive Belt Kit, 22-inch 2009 and After Rear-Wheel Drive Lawn Mower .....	38991
Bag-Walk Behind (Toro).....	490-7318
Lawnmower Cover.....	490-7462

**Notes:**



**Count on it.**