



**Count on it.**

**Parts Catalog**

**30in TurfMaster Walk-Behind  
Lawn Mower**

Model No. 22210—Serial No. 404320000 and Up



# Ordering Replacement Parts

To order replacement parts, please supply the part number, the quantity, and the description of each part desired.

## Understanding Reference Numbers

Each identified part in an illustration has a reference number. The reference number for a part also appears in the parts list, along with other information about the part.

This catalog uses two special reference number formats, one to indicate parts in a service assembly and another to indicate the quantity of a given part in an illustration.

## Service Assembly Reference Numbers

Parts in service assemblies have reference numbers in the form a:b. The a represents the reference number of the entire service assembly and the b represents a sequential number unique to each part within the service assembly.

For example, a wheel assembly might be identified by reference number 6, the tire by 6:1, the valve by 6:2, and the wheel by 6:3. When you order the assembly identified by reference number 6, you receive all parts identified by reference numbers 6:1, 6:2, and 6:3. However, you may also order any part individually. Reference numbers of this type appear in illustration and in parts lists.

## Reference Numbers Indicating Quantity

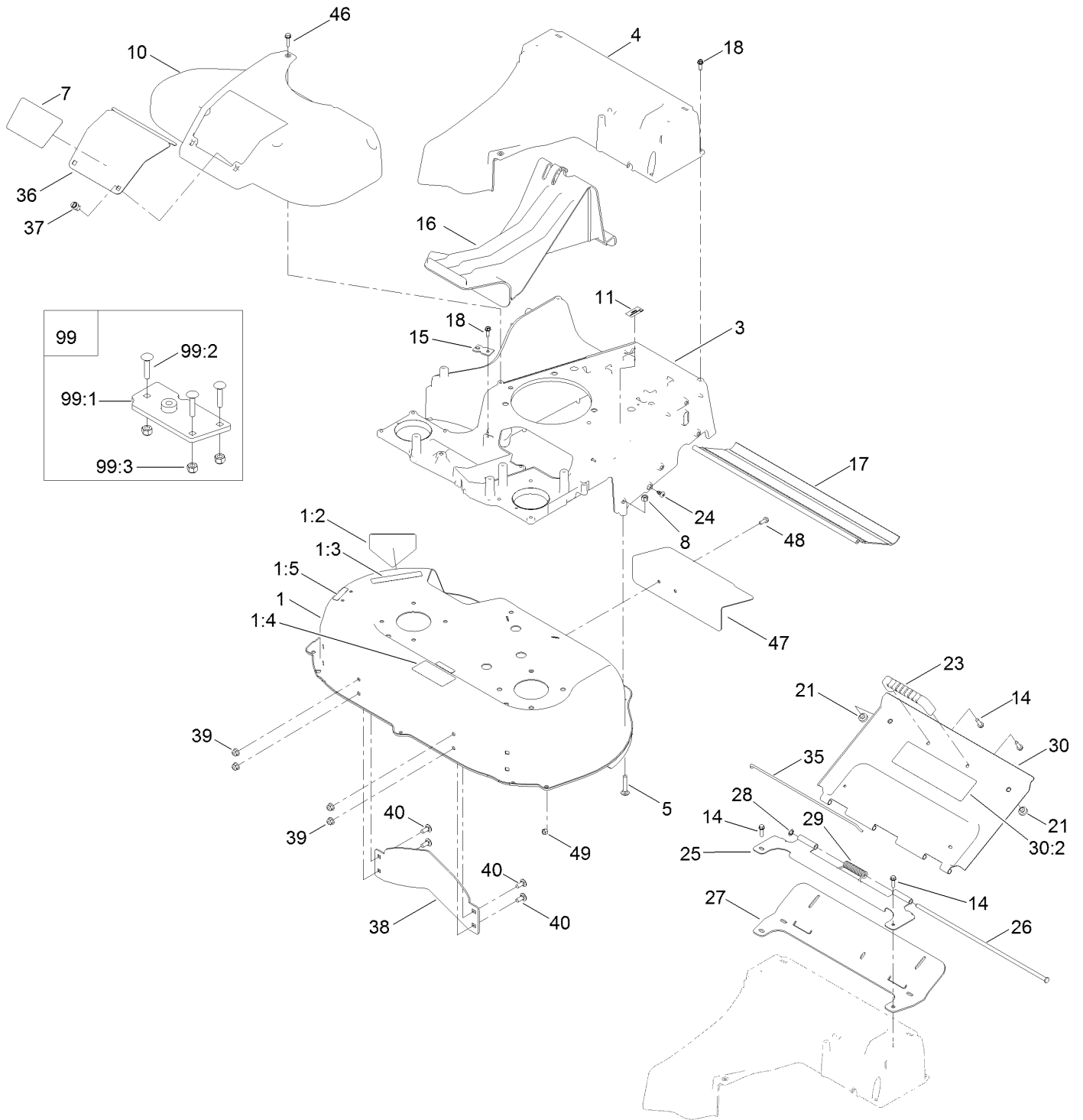
In an illustration, if a reference number indicates more than one part, the reference number has the form nX y. The n represents the quantity of the part, the X is the multiplication symbol, and the y represents the reference number.

For example, in an illustration, the reference number 2X 37 means that two of the parts identified by reference number 37 are indicated.

# Contents

Deck, Frame and Chute Assembly .....	4
Spindle and Blade Assembly .....	6
Pulleys and Idler Assembly No. 126-7890 .....	8
Side Discharge Chute Assembly .....	10
Grass Bag Assembly .....	12
Engine and Fuel Tank Assembly .....	14
Front Bumper and Wheel Assembly .....	16
Traction and Height-of-Cut Assembly .....	18
Handle Assembly .....	20
Attachments and Accessories .....	22

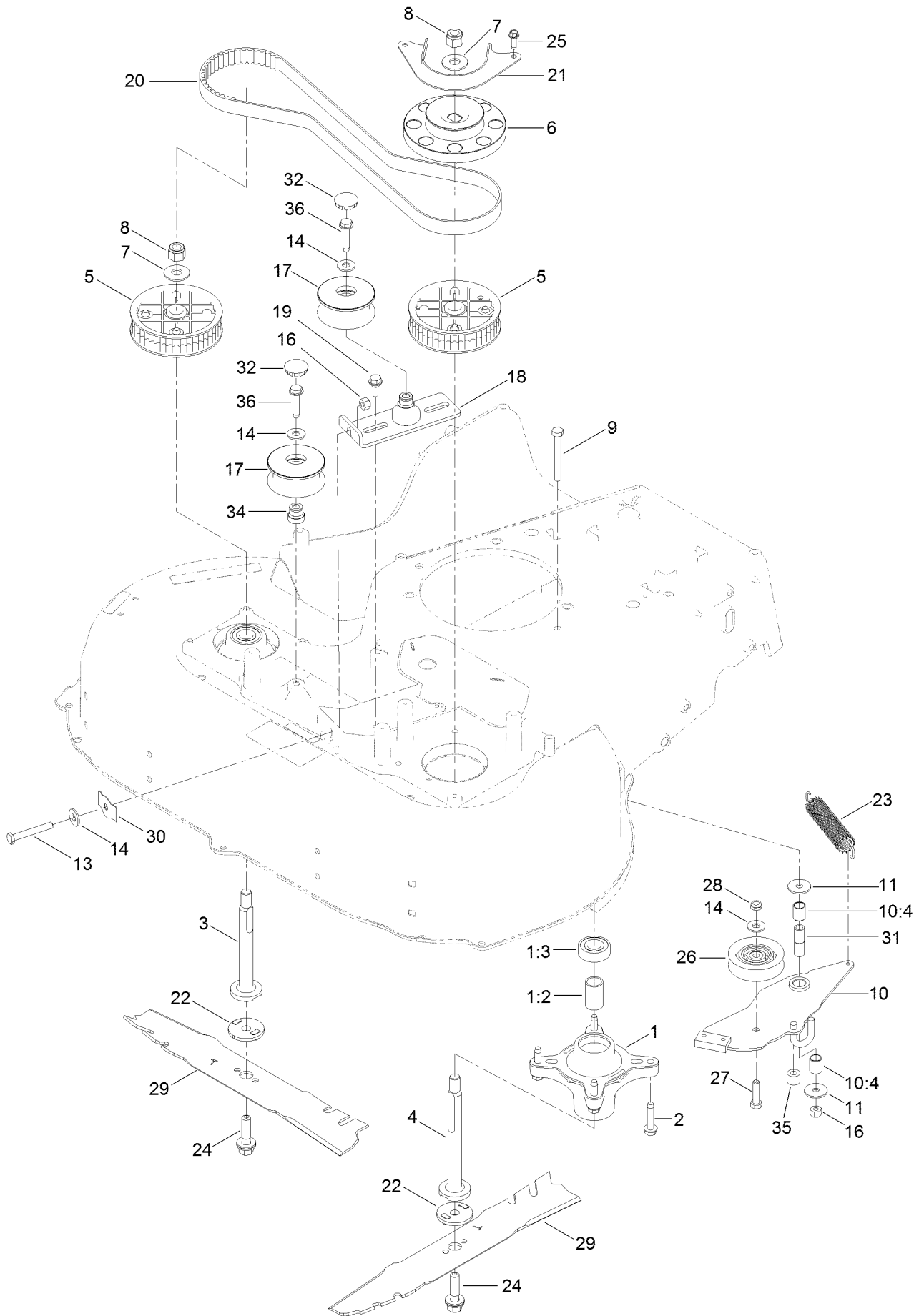
# Deck, Frame and Chute Assembly



## Deck, Frame and Chute Assembly (continued)

<i>Ref.</i>	<i>Part Number</i>	<i>Qty.</i>	<i>Description</i>	<i>Ref.</i>	<i>Part Number</i>	<i>Qty.</i>	<i>Description</i>
1	136-5900	1	Deck ASM	26	116-6933	1	Pin-Hinge
1:2	94-8072	1	Decal-Danger	27	116-6229	1	Seal-Door
1:3	93-7009	1	Decal-Danger	28	32151-72	1	Ring-Retaining
1:4	116-8528	1	Decal	29	116-7573	1	Spring-Torsion, Cover
1:5	120-9570	2	Decal-Warning	30	116-8355	1	Rear Door ASM
3	136-5908-01	1	Frame	30:2	116-7583	1	Decal-Warning
4	133-8177	1	Chute	35	116-6966	1	Clip-Seal
5	3230-5	2	Bolt-Car	36	121-5793-03	1	Door-Access
7	121-9191	1	Decal	37	121-5840	2	Fastener
8	3296-29	2	Nut-Lock, NI	38	130-2352-01	1	Baffle-Control
10	121-5810	1	Cover-Belt	39	104-8300	4	Nut-HF, NI
11	126-4345	1	Decal-Patent	40	3230-23	4	Screw-CARR
14	46-8091	4	Screw-HWH	46	32144-86	1	Screw-HWHTF
15	138-3224	1	Bracket-Cable, Traction	47	126-6381-01	1	Deflector-Rear
16	120-5225	1	Plug-Mulch	48	32144-85	2	Screw-HWH
17	121-5841	1	Shield-Trailing	49	3296-42	2	Nut-Lock, NI
18	49-2040	8	Screw-HWHTF	99	125-5072	1	Frame Plate Kit
21	1-513658	2	Bumper	99:1	125-2542	1	Plate-Frame
23	65-5100	1	Handle-Door	99:2	3229-3	3	Screw-CARR
24	117-1092	2	Screw-PTH	99:3	3296-42	3	Nut-Lock, NI
25	116-6351-03	1	Bracket-Hinge				

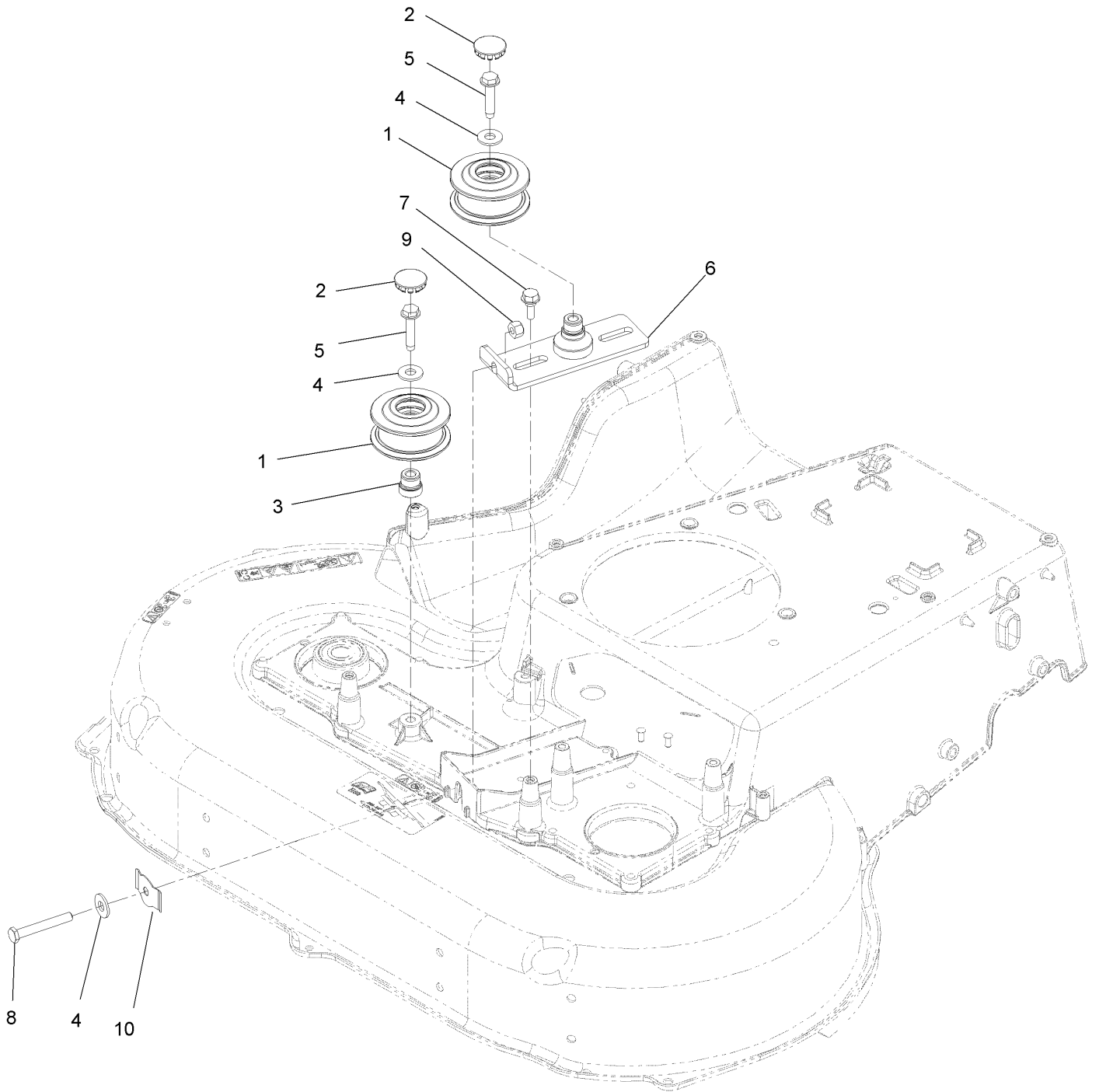
# Spindle and Blade Assembly



## Spindle and Blade Assembly (continued)

<i>Ref.</i>	<i>Part Number</i>	<i>Qty.</i>	<i>Description</i>	<i>Ref.</i>	<i>Part Number</i>	<i>Qty.</i>	<i>Description</i>
1	121-9107	2	Spindle ASM	18	126-6453	1	Bracket-Idler
1:2	120-7935	2	Spacer	19	120-7024	2	Screw-Shoulder, HWH
1:3	136-5441	2	Bearing-Ball	20	120-3335	1	Belt-Synchronous
2	132-4498	8	Screw-HWH	21	120-5245-03	1	Guide-Belt, Spindle
3	120-5234	1	Shaft-Spindle	22	120-5236	2	Adapter-Blade
4	120-5235	1	Shaft-Spindle	23	121-5808	1	Spring-Extension, Brake
5	121-9100	2	Sprocket	24	125-2466	2	Bolt-Blade
6	130-6664	1	Pulley-Brake, Spindle	25	49-2040	2	Screw-HWHTF
7	109-9505	2	Washer-Spring	26	120-7082	1	Pulley-Idler
8	3296-19	2	Nut-Hex	27	322-6	1	Screw-HH
9	322-13	1	Screw-HH	28	3296-47	1	Nut-Lock, NI
10	136-5903	1	Brake Arm ASM	29	116-6358-03	2	Blade-Rotary
10:4	131-0819	2	Bushing-Sleeve	30	121-2336	1	Spring-Flat
11	5-4460	2	Washer-Pivot	31	131-0823	1	Spacer-Brake
13	9114524	1	Bolt-TAP, HH	32	126-7151	2	Plug-Button
14	3256-3	4	Washer-Flat	34	131-4504	1	Adapter-Bore
16	3296-29	2	Nut-Lock, NI	35	133-1964	1	Hose-Coolant
17	126-7890	1	Pulleys And Idler Kit	36	32144-57	2	Screw

# Pulleys and Idler Assembly No. 126-7890

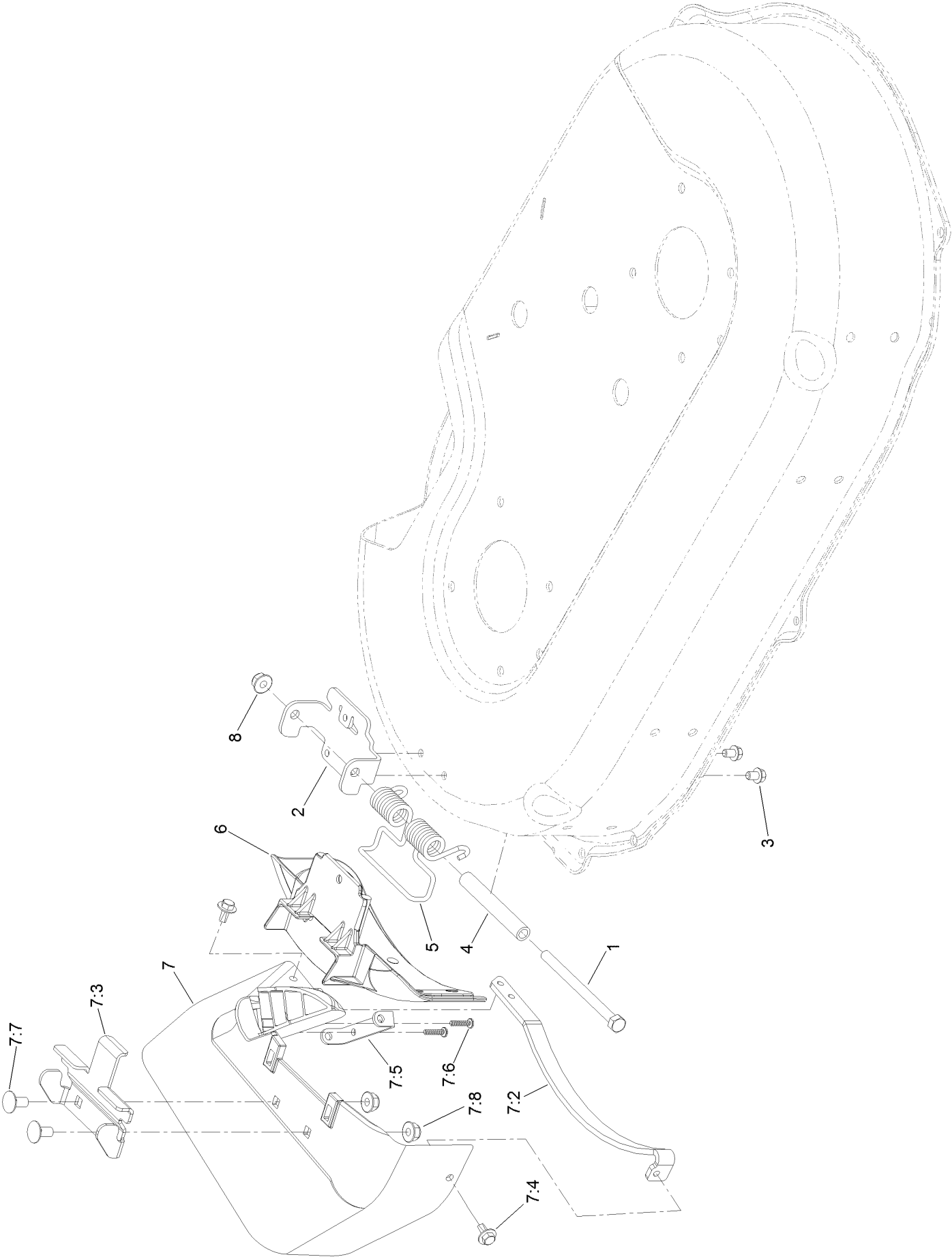




## Pulleys and Idler Assembly No. 126-7890 (continued)

<i>Ref.</i>	<i>Part Number</i>	<i>Qty.</i>	<i>Description</i>	<i>Ref.</i>	<i>Part Number</i>	<i>Qty.</i>	<i>Description</i>
1	126-5880	2	Pulley-Idler, Flat	6	126-6453	1	Bracket-Idler
2	126-7151	2	Plug-Button	7	120-7024	2	Screw-Shoulder, HWH
3	131-4504	1	Adapter-Bore	8	9114524	1	Bolt-TAP, HH
4	3256-3	3	Washer-Flat	9	3296-29	1	Nut-Lock, NI
5	32144-57	2	Screw	10	121-2336	1	Spring-Flat

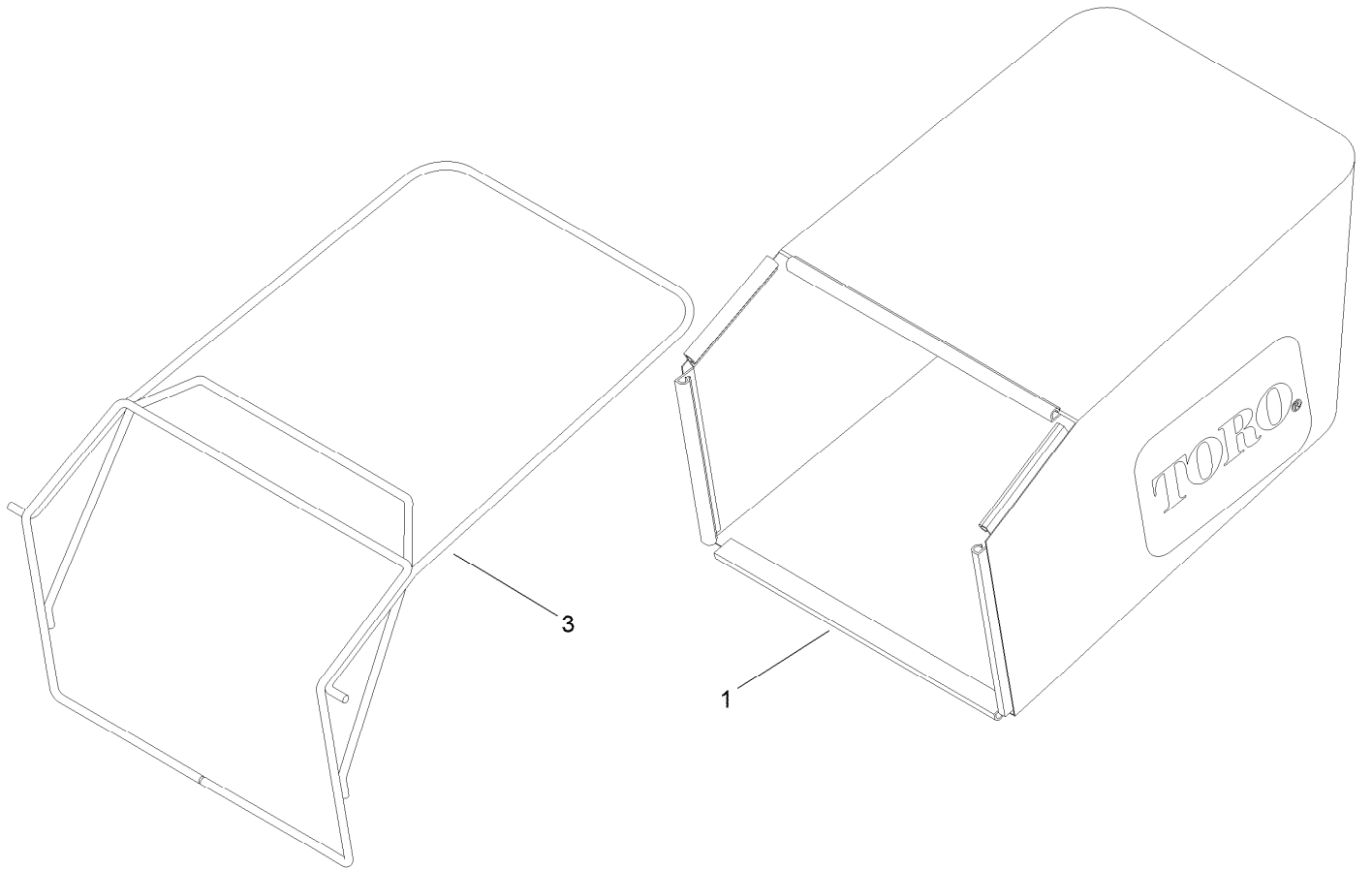
# Side Discharge Chute Assembly



## Side Discharge Chute Assembly (continued)

<i>Ref.</i>	<i>Part Number</i>	<i>Qty.</i>	<i>Description</i>	<i>Ref.</i>	<i>Part Number</i>	<i>Qty.</i>	<i>Description</i>
1	322-38	1	Screw-HH	7:3	121-9196	1	Bracket-Chute
2	121-9195	1	Hinge	7:4	46-8560	2	Screw-HHFTF
3	99-8445	2	Screw-HWH	7:5	112-6416	1	Bracket-Cover
4	125-2478	1	Spacer	7:6	94-4496	2	Screw-PPH
5	121-9193	1	Spring-Torsion	7:7	3230-18	2	Screw-CARR
6	125-5093-01	1	Cover-Discharge	7:8	104-8300	2	Nut-HF, NI
7	116-9754	1	Side Discharge Chute ASM	8	104-8300	1	Nut-HF, NI
7:2	116-9752-03	1	Guard-Chute				

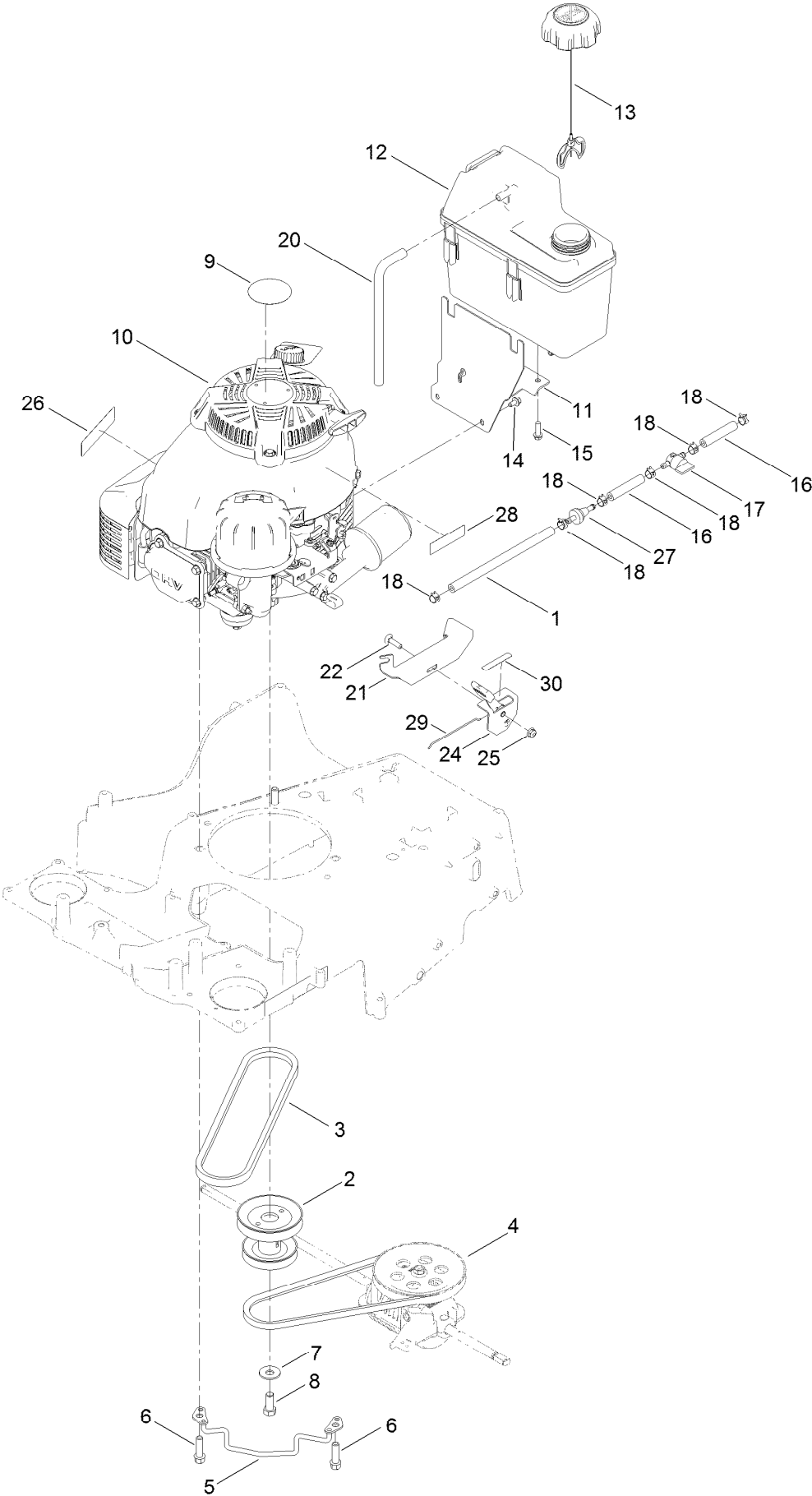
# Grass Bag Assembly



## Grass Bag Assembly (continued)

<i>Ref.</i>	<i>Part Number</i>	<i>Qty.</i>	<i>Description</i>
1	121-5775	1	Grass Bag ASM
3	116-5596-03	1	Frame-Bag

# Engine and Fuel Tank Assembly



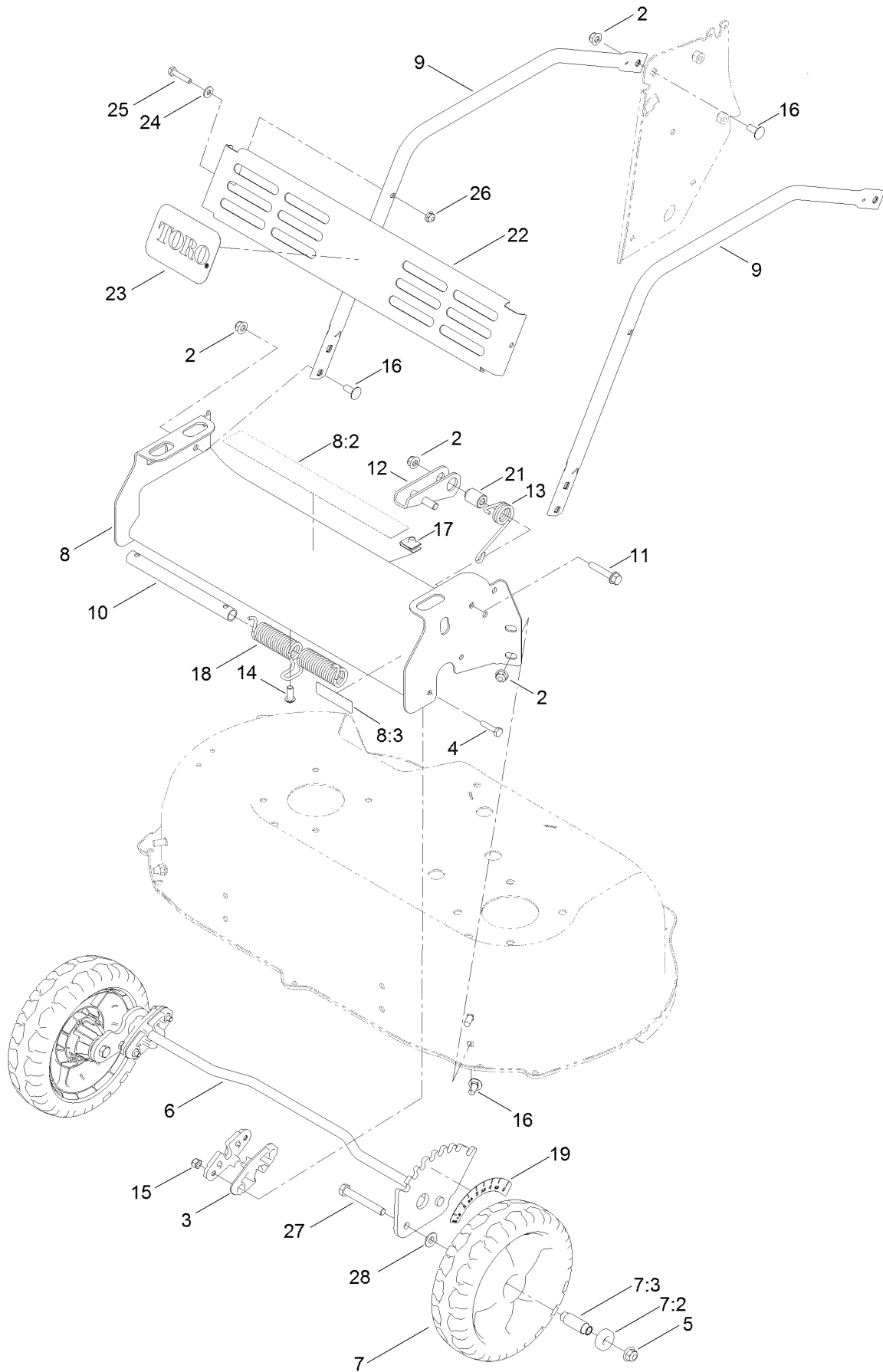
## Engine and Fuel Tank Assembly (continued)

<i>Ref.</i>	<i>Part Number</i>	<i>Qty.</i>	<i>Description</i>	<i>Ref.</i>	<i>Part Number</i>	<i>Qty.</i>	<i>Description</i>
1	119-1892	1	Hose-Fuel	15	46-8091	2	Screw-HWH
2	137-9177	1	Pulley-Engine	16	109-0304	2	Hose-Fuel
3	121-5765	1	V-Belt	17	1-603770	1	Valve-Fuel
4	116-7116	1	Belt	18	2412-98	6	Clamp-Hose
5	138-5319	1	Guide-Belt	20	115-0962	1	Hose-Vent, Canister
6	95-1727	3	Screw-Taptite	21	130-6440-03	1	Bracket-Mount, Throttle
7	3290-465	1	Washer-Belleville	22	3229-30	1	Screw-CARR
8	3212-4	1	Screw-HH	24	130-9655	1	Control-Throttle
9	109-6528	1	Decal-Recoil	25	104-7201	1	Nut-HF
10		1	Engine-Kawasaki Fj180V ●■	26	133-8062	1	Decal-Arrestor, Spark
11	115-0954-03	1	Mount-Tank	27	71-9280	1	Filter-Fuel
12	114-0280	1	Tank-Fuel	28	116-9313	1	Decal-Warning, Engine
13	137-4127	1	Cap-Fuel	29	130-9654	1	Wire-Control
14	116-8929	3	Screw-HWH	30	130-9656	1	Decal-Throttle, Choke

● Not serviced separately

■ Obtain parts from [www.kawpowerepc.com](http://www.kawpowerepc.com)

# Front Bumper and Wheel Assembly

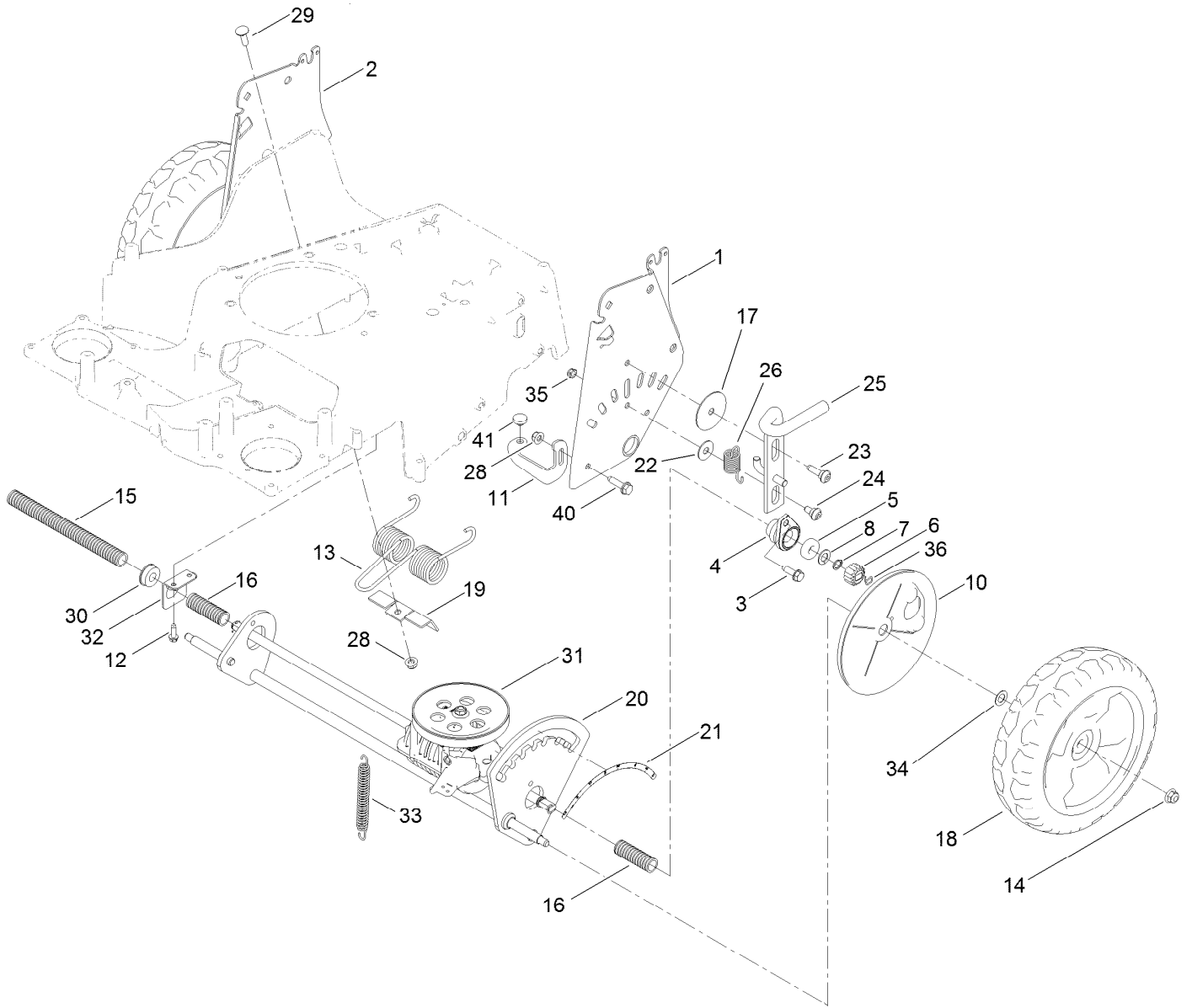




## Front Bumper and Wheel Assembly (continued)

<i>Ref.</i>	<i>Part Number</i>	<i>Qty.</i>	<i>Description</i>	<i>Ref.</i>	<i>Part Number</i>	<i>Qty.</i>	<i>Description</i>
2	104-8300	11	Nut-HF, NI	13	120-9465	1	Spring-Torsion
3	121-5781	4	Bushing-Front	14	3274-55	1	Screw-HSBH
4	321-7	4	Screw-HH	15	3296-42	4	Nut-Lock, NI
5	104-8301	2	Nut-HF, NI	16	3230-23	10	Screw-CARR
6	131-0826	1	Axle-Front	17	94-2413	1	Nut-U
7	133-2639	2	Wheel	18	121-2337	1	Spring-Torsion
7:2	133-2603	2	Bearing-Ball	19	136-9077	1	Decal-HOC, Front
7:3	125-1077	1	Spacer	21	125-2486	1	Spacer
8	125-2488	1	Front Bumper ASM	22	121-9187-03	1	Shield
8:2	121-5847	1	Decal	23	117-0871	1	Decal
8:3	116-7581	1	Decal-Warning	24	3256-22	2	Washer-Flat
9	121-9168-03	2	Brace	25	321-8	2	Screw-HH
10	131-9690	1	Mandrell-Spring	26	104-7201	2	Nut-HF
11	94-5780	1	Screw-HWH	27	323-13	2	Screw-HH
12	125-2483	1	Lock-Height, Adjustment	28	74-1671	2	Spacer-Cover, Wheel

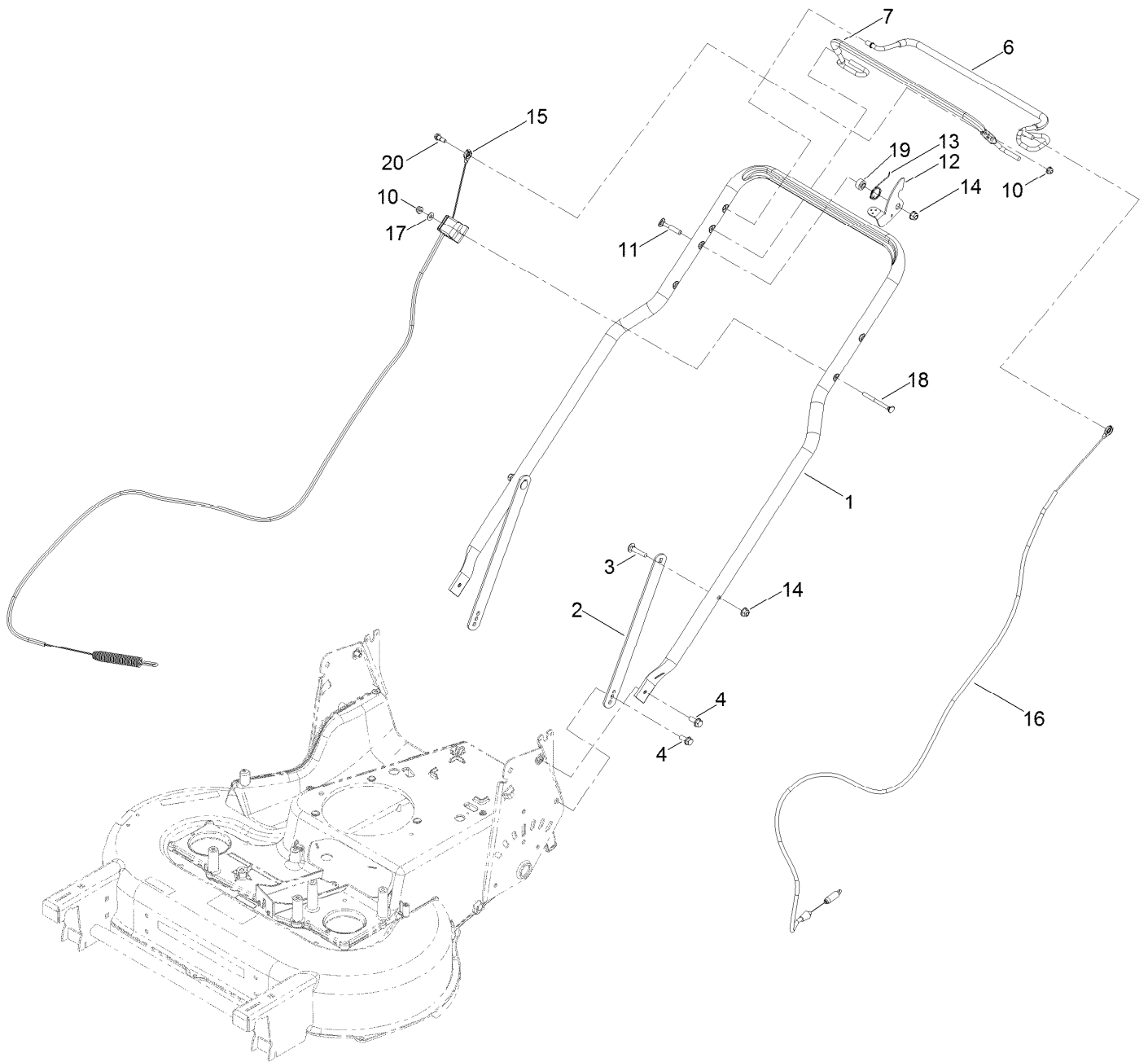
# Traction and Height-of-Cut Assembly



## Traction and Height-of-Cut Assembly (continued)

<i>Ref.</i>	<i>Part Number</i>	<i>Qty.</i>	<i>Description</i>	<i>Ref.</i>	<i>Part Number</i>	<i>Qty.</i>	<i>Description</i>
1	121-2394-03	1	LH HOC Plate ASM	20	131-4516	1	Axle-Rear
2	121-2395-03	1	RH HOC Plate ASM	21	116-7127	1	Decal-HOC, Rear
3	701243	6	Screw-Thd Roll, HWH	22	52-2860	1	Washer
4	136-5929	2	Retainer-Bearing	23	119-2267	1	Screw-Shoulder, BHTF
5	133-2603	2	Bearing-Ball	24	120-9471	1	Bolt-Shoulder
6	131-5399	2	Gear-Pinion, 15T	25	120-7090	1	Lock-Height, Adjust
7	32151-61	1	Ring-Retaining	26	120-9452	1	Spring-Extension
8	110-7191	2	Washer-Thrust	28	104-8300	2	Nut-HF, NI
10	125-2480	2	Cover-Gear	29	3230-2	1	Bolt-CARR
11	131-5344	1	Bracket-Stop, Adjustable	30	104-8699	1	Bearing-Ball
12	49-2040	2	Screw-HWHTF	31	131-9667	1	Transmission Kit
13	121-2368	1	Spring-Torsion	32	138-3233	1	Mount-Bearing
14	104-8301	2	Nut-HF, NI	33	120-7027	1	Spring-Extension
15	121-5799	1	Conduit-Convoluted	34	36-4780	2	Washer-Plain
16	121-5800	2	Conduit-Convoluted	35	3296-47	1	Nut-Lock, NI
17	125-2540	1	Washer-Plain	36	130-2369	2	Pin-Snap
18	133-2699	2	10.5 Inch Wheel ASM	40	32144-49	1	Screw-HWHTF
19	121-2397	1	Bracket	41	1-513658	1	Bumper

# Handle Assembly



## Handle Assembly (continued)

<i>Ref.</i>	<i>Part Number</i>	<i>Qty.</i>	<i>Description</i>	<i>Ref.</i>	<i>Part Number</i>	<i>Qty.</i>	<i>Description</i>
1	137-4767-03	1	Handle	13	109-9318	1	Spring-Lever, BBC
2	116-8208-03	2	Support-Handle	14	104-8300	3	Nut-HF, NI
3	3230-4	2	Bolt-CARR	15	137-4759	1	Cable-BBC
4	116-7230	4	Screw-HHF	16	137-4758	1	Cable-Traction
6	137-4811	1	Bail-Traction, Coated	17	3256-1	1	Washer-Flat
7	137-4810	1	Bail-BBC, Coated	18	92-2267	1	Screw-Handle
10	104-7201	2	Nut-HF	19	116-2690	1	Bushing-Stepped
11	112-8876	1	Screw-Handle	20	42-3560	1	Bolt-Shoulder
12	116-2998	1	Lever-BBC	99	614249	3	Tie-Cable ●

● Not illustrated

# Attachments and Accessories

## For 22210 30in TurfMaster Walk-Behind Lawn Mower

<b>Product Name</b>	<b>Model/Part</b>
Atomic Blade 15.4in.....	120-9500-03
Mulching Kit.....	125-5064
Idler Pulley Kit.....	126-7890

**Notes:**



**Count on it.**