



Count on it.

Parts Catalog

TimeCutter® ZS 3200S

Riding Mower

Model No. 74682—Serial No. 40000000 and Up



Ordering Replacement Parts

To order replacement parts, please supply the part number, the quantity, and the description of each part desired.

Understanding Reference Numbers

Each identified part in an illustration has a reference number. The reference number for a part also appears in the parts list, along with other information about the part.

This catalog uses two special reference number formats, one to indicate parts in a service assembly and another to indicate the quantity of a given part in an illustration.

Service Assembly Reference Numbers

Parts in service assemblies have reference numbers in the form a:b. The a represents the reference number of the entire service assembly and the b represents a sequential number unique to each part within the service assembly.

For example, a wheel assembly might be identified by reference number 6, the tire by 6:1, the valve by 6:2, and the wheel by 6:3. When you order the assembly identified by reference number 6, you receive all parts identified by reference numbers 6:1, 6:2, and 6:3. However, you may also order any part individually. Reference numbers of this type appear in illustration and in parts lists.

Reference Numbers Indicating Quantity

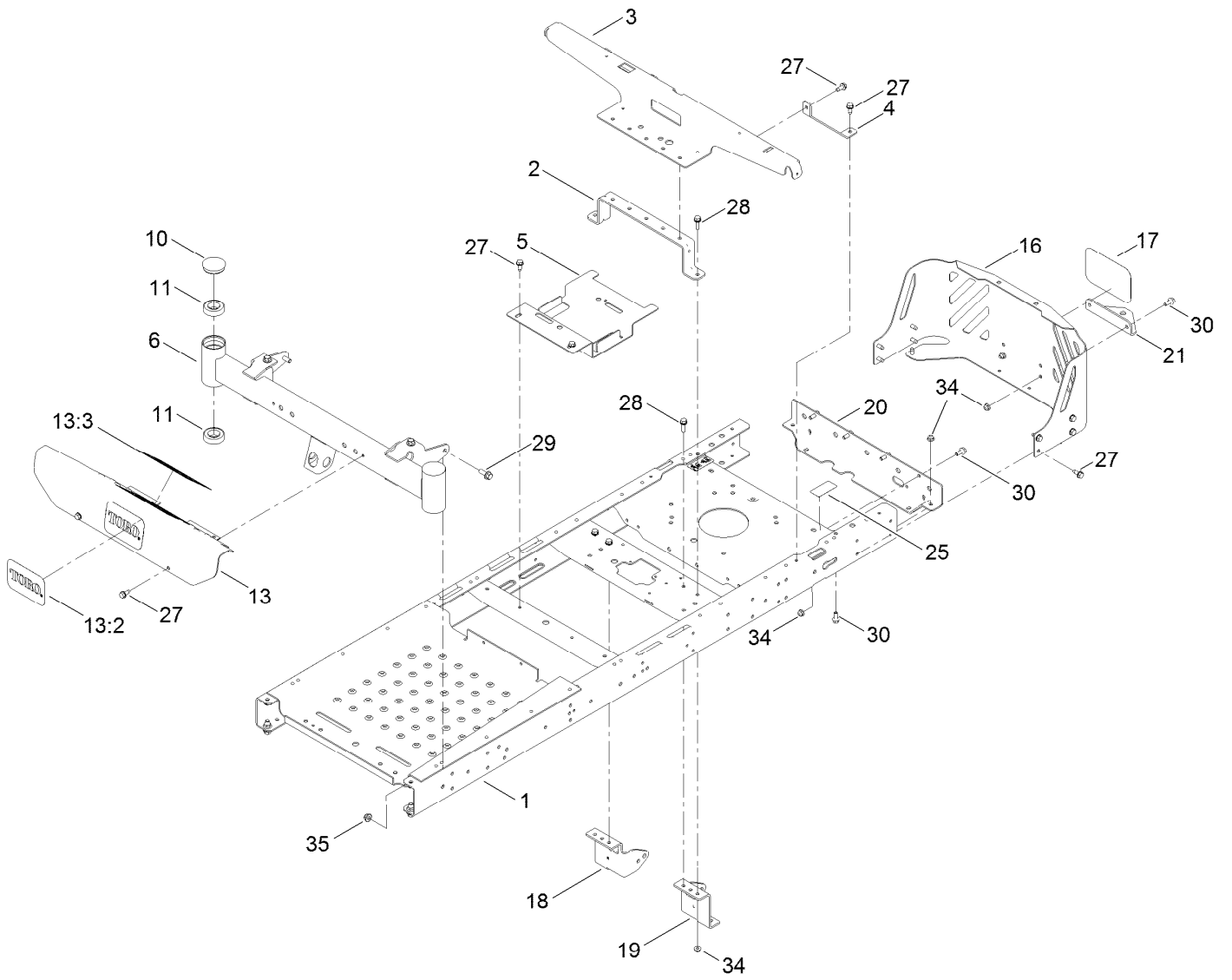
In an illustration, if a reference number indicates more than one part, the reference number has the form nX y. The n represents the quantity of the part, the X is the multiplication symbol, and the y represents the reference number.

For example, in an illustration, the reference number 2X 37 means that two of the parts identified by reference number 37 are indicated.

Contents

Frame Assembly	4
Deck Lift Assembly	6
Caster Wheel Assembly	8
Traction Drive Assembly	10
Left Hand Hydro Transaxle Assembly No. 119-3330	12
Right Hand Hydro Transaxle Assembly No. 119-3331	14
Brake Assembly	16
Rear Tire Assembly	18
Seat Assembly	20
Motion Control Assembly	22
Engine and Muffler Assembly	24
Fuel System Assembly	26
Air Intake and Filtration Assembly	28
Ignition and Electrical Assembly	30
Crankcase Assembly	32
Governor Control Assembly	34
Piston and Cylinder Head Assembly	36
Blower Housing Assembly	38
Gasket and Seal Kit	40
Body Styling and Fuel Tank Assembly	42
Battery and Electrical Assembly	44
32 Inch Deck Assembly	46
Model Specific Decal Assembly	48
Speed Control, HOC and Service Decal Assembly	50
Clutch Assembly	52
Attachments and Accessories	54

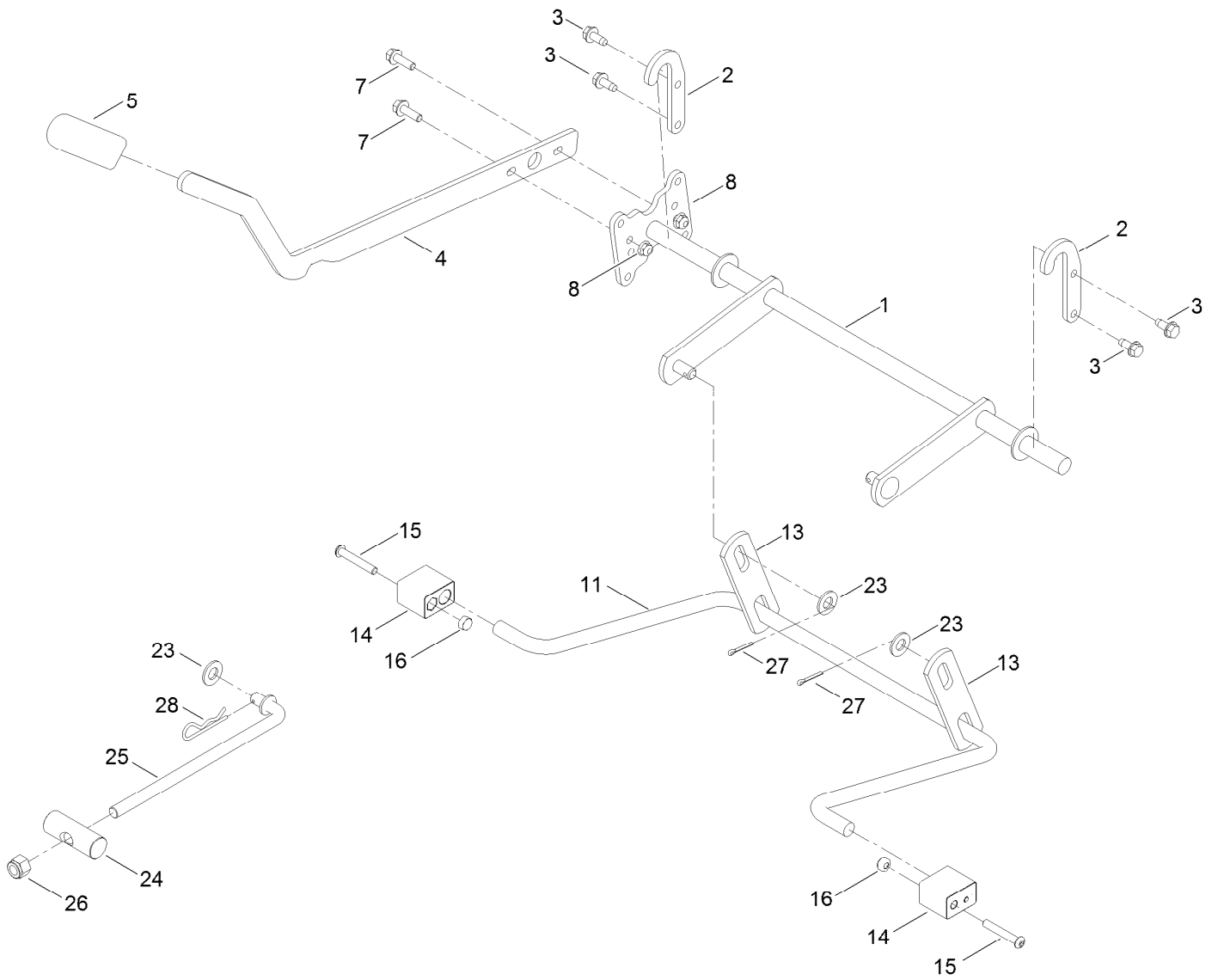
Frame Assembly



Frame Assembly (continued)

<i>Ref.</i>	<i>Part Number</i>	<i>Qty.</i>	<i>Description</i>	<i>Ref.</i>	<i>Part Number</i>	<i>Qty.</i>	<i>Description</i>
1	135-0509-01	1	Frame ASM	17	99-4693	1	Decal
2	135-0686-03	1	Brace-Seat, Rear (Narrow)	18	137-7020-01	1	Mount-Hydro, Front (Right)
3	131-1040-03	1	Support-Pod	19	137-7021-01	1	Mount-Hydro, Front (Left)
4	119-3431-03	2	Support-Tank, Rear	20	130-6950-01	1	Crossmember-Rear, Narrow
5	135-0507-03	1	Bracket-Battery	21	117-1232-03	1	Bracket-Hitch
6	125-1742-01	1	Axle-Front, Narrow	25	121-2989	2	Decal-Bypass
10	138-7200	2	Cap-Grease	27	32144-70	18	Screw-HWHTF
11	109-3678	4	Bearing-Ball	28	139-2596	4	Screw-HHF
13	132-0890	1	Footrest ASM	29	139-2597	6	Screw-HHF
13:2	105-8278	1	Decal	30	139-2598	8	Screw-HHF
13:3	132-0869	1	Decal-Danger	34	119-4041	12	Nut-HF
16	127-3353-03	1	Guard-Engine, Narrow	35	119-4042	6	Nut-HF, NI

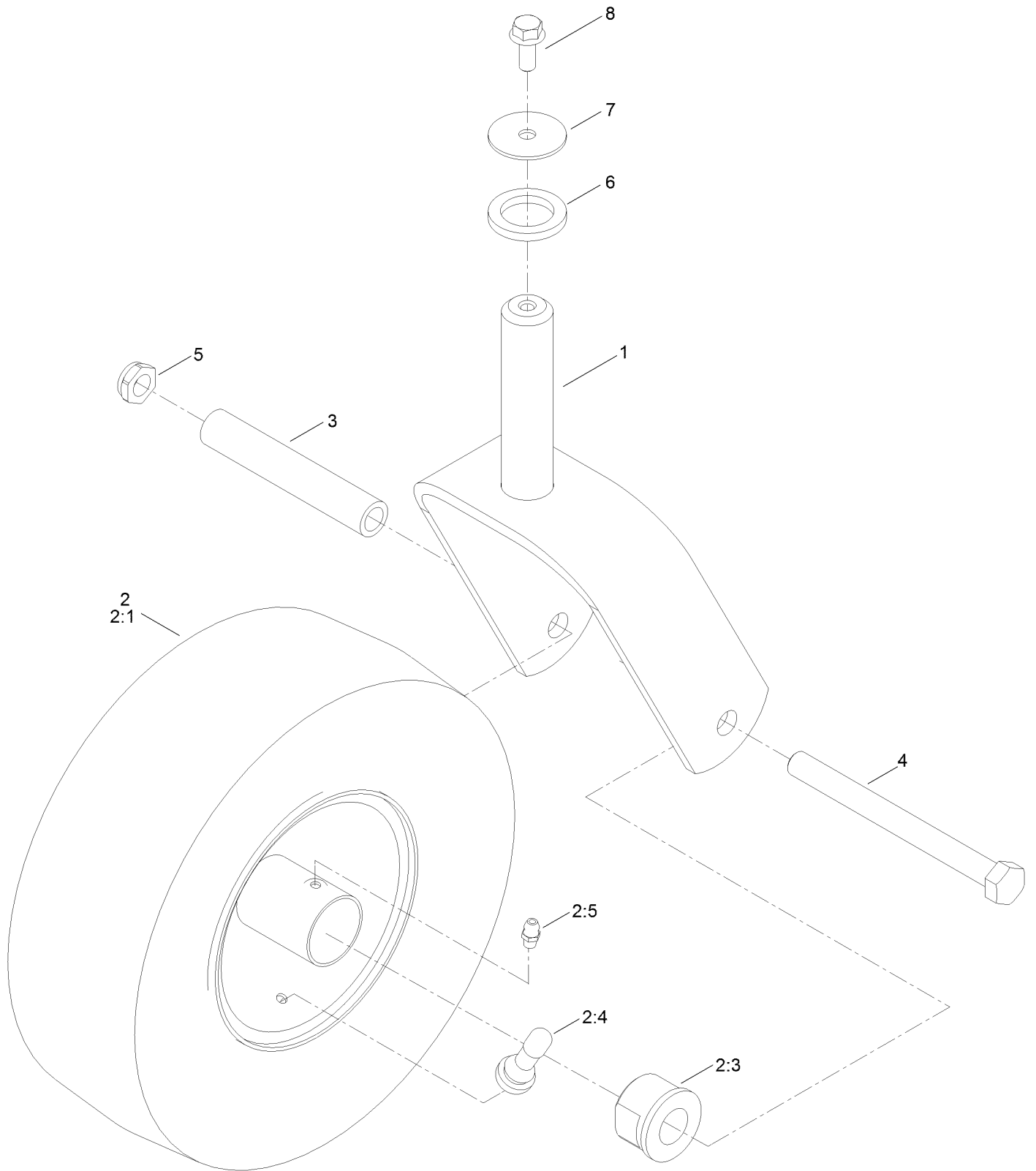
Deck Lift Assembly



Deck Lift Assembly (continued)

<i>Ref.</i>	<i>Part Number</i>	<i>Qty.</i>	<i>Description</i>	<i>Ref.</i>	<i>Part Number</i>	<i>Qty.</i>	<i>Description</i>
1	132-6872-03	1	Lift-Deck, Narrow	14	108-7845	2	Block-Pivot
2	138-7233	2	Bracket-Lift	15	120-5499	2	Screw-HSBH
3	32144-70	4	Screw-HWHTF	16	119-4038	2	Nut-Hex
4	119-3427-03	1	Lever-Lift	23	139-2611	3	Washer-Flat
5	1-633268	1	Grip-Lever	24	119-8810	1	Pin-Pivot
7	139-2596	2	Screw-HHF	25	133-4319	1	Rod-Mount, Deck
8	119-4041	2	Nut-HF	26	139-1725	1	Nut-Hex
11	138-7234	1	Arm-Lift, Rear	27	139-2614	2	Pin-Cotter
13	138-7235	2	Link-Lift	28	139-2562	1	Pin-Hair

Caster Wheel Assembly



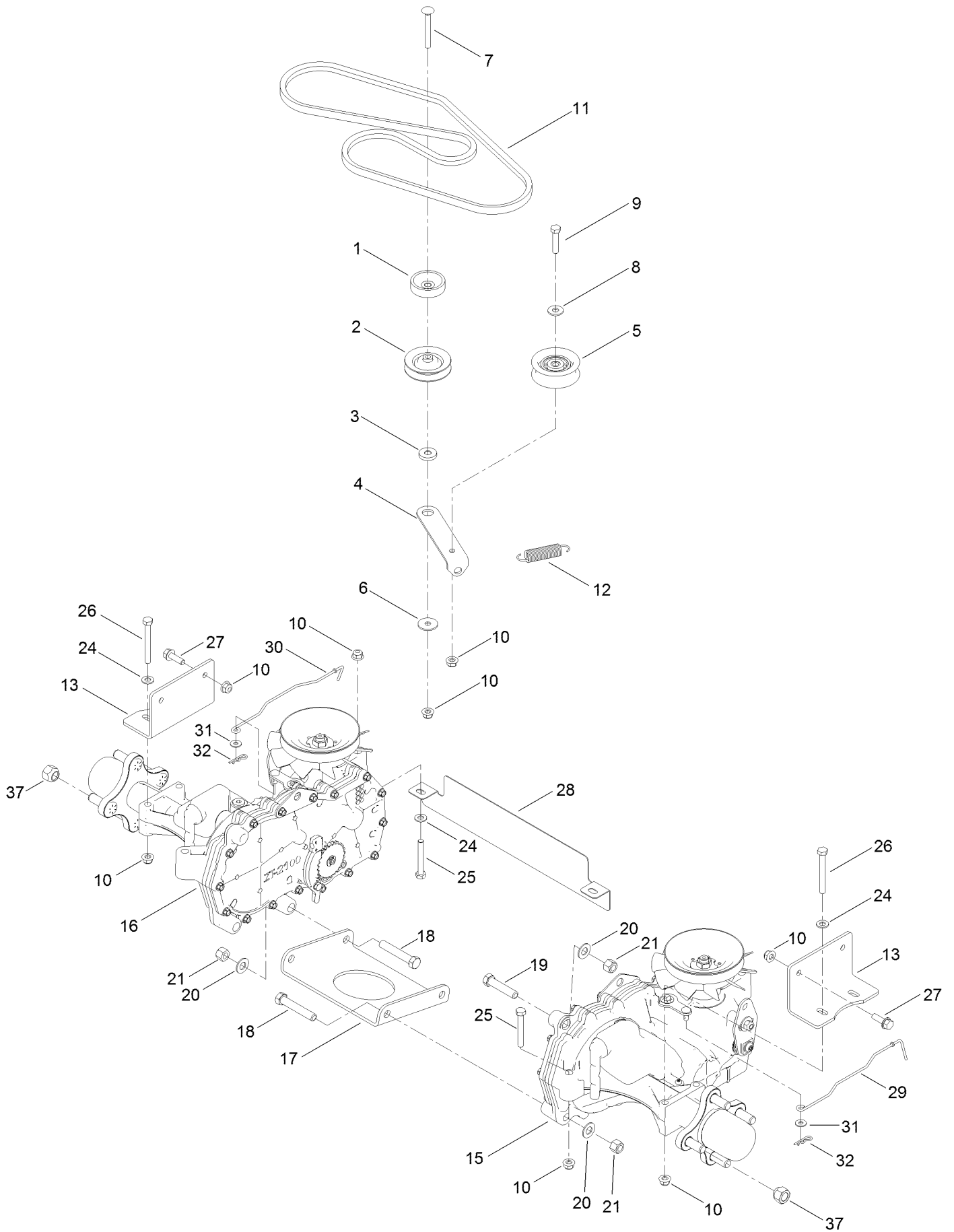
Caster Wheel Assembly (continued)

<i>Ref.</i>	<i>Part Number</i>	<i>Qty.</i>	<i>Description</i>	<i>Ref.</i>	<i>Part Number</i>	<i>Qty.</i>	<i>Description</i>
1	120-7964-01	2	Caster Fork ASM	3	138-7240	2	Bushing-Spanner
2	130-0736	2	Caster Wheel ASM	4	139-2607	2	Screw-HH
2:1	130-0735	1	Tire	5	139-2617	2	Nut-Lock, NI
2:3	114-1640	2	Bushing-Flange	6	117-7394	2	Washer-Thrust
2:4	232-27	1	Stem-Valve	7	115-1151	2	Washer-Flat
2:5	302-5	1	Fitting-Grease	8	139-2598	2	Screw-HHF
2:6	105-0844	1	Tube-Inner ●■				

● Not illustrated

■ Optional Equipment

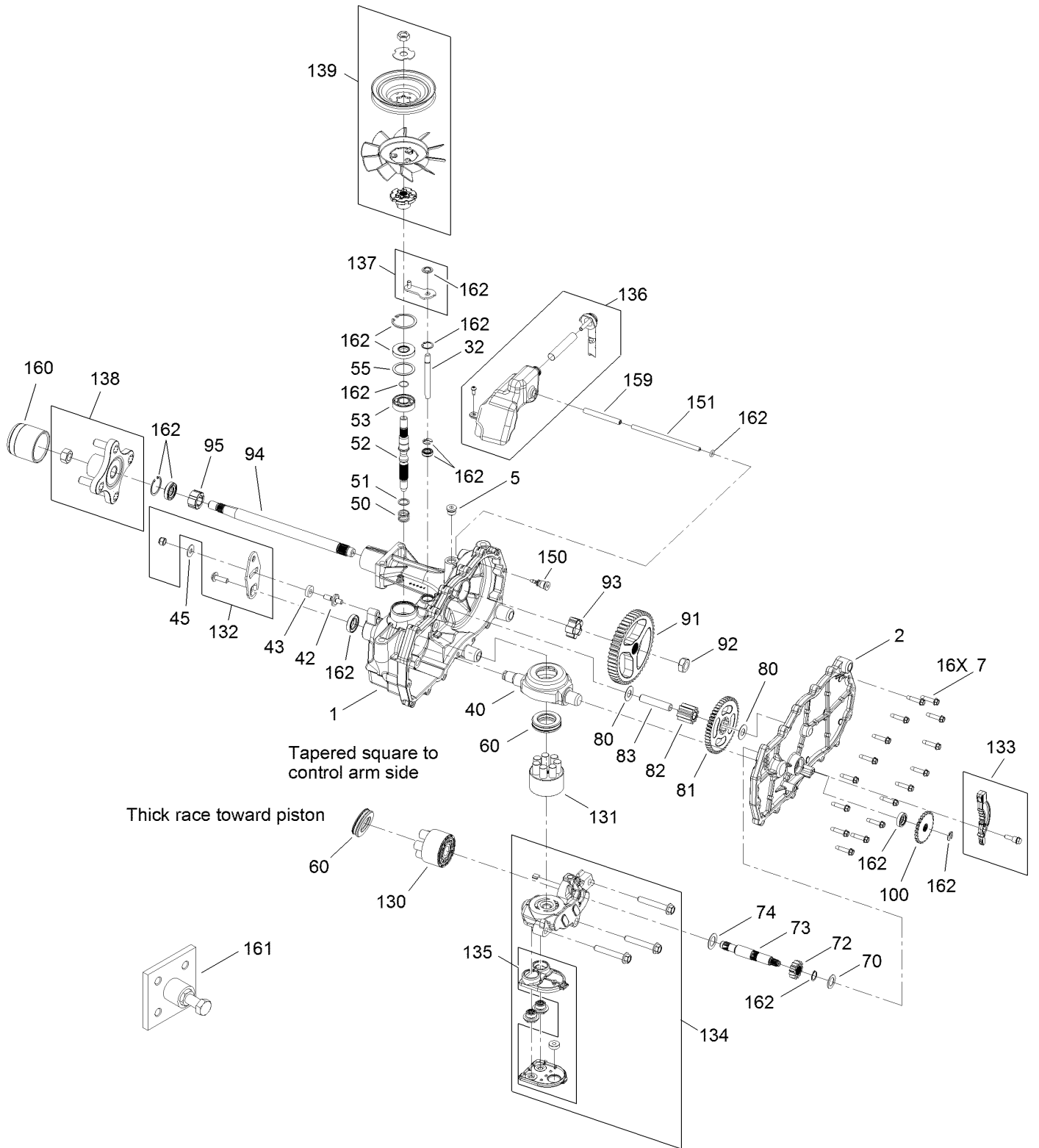
Traction Drive Assembly



Traction Drive Assembly (continued)

<i>Ref.</i>	<i>Part Number</i>	<i>Qty.</i>	<i>Description</i>	<i>Ref.</i>	<i>Part Number</i>	<i>Qty.</i>	<i>Description</i>
1	119-3353	1	Spacer	17	119-3339-03	1	Plate-Cross, Hydro
2	119-8822	1	Pulley-Idler	18	139-2603	4	Screw-HH
3	138-7277	1	Spacer-Arm, Idler	19	139-2605	2	Screw-HH
4	138-7276	1	Arm-Idler	20	139-2610	6	Washer-Flat
5	138-7597	1	Pulley-Idler, Flat	21	119-4039	6	Nut-Hex, NI
6	5-4460	1	Washer-Pivot	24	120-9683	6	Washer-Plain
7	139-2588	1	Screw-CARR	25	120-9738	4	Screw-HH
8	139-1723	1	Washer-Flat	26	139-2583	4	Screw-HH
9	120-2779	1	Screw-HH	27	139-2596	4	Screw-HHF
10	119-4041	14	Nut-HF	28	131-3668-03	1	Guard Rear, Narrow
11	130-6975	1	V-Belt	29	138-7243	1	Rod-Bypass, LH
12	137-7040	1	Spring-Return, Pedal	30	138-7245	1	Rod-Bypass, RH
13	117-7264-03	2	Mount-Hydro	31	119-8952	2	Washer
15	119-3330	1	LH Hydro Transaxle ASM	32	137-3083	2	Pin-Hair
16	119-3331	1	RH Hydro Transaxle ASM	37	139-2564	8	Nut-Lug

Left Hand Hydro Transaxle Assembly No. 119-3330

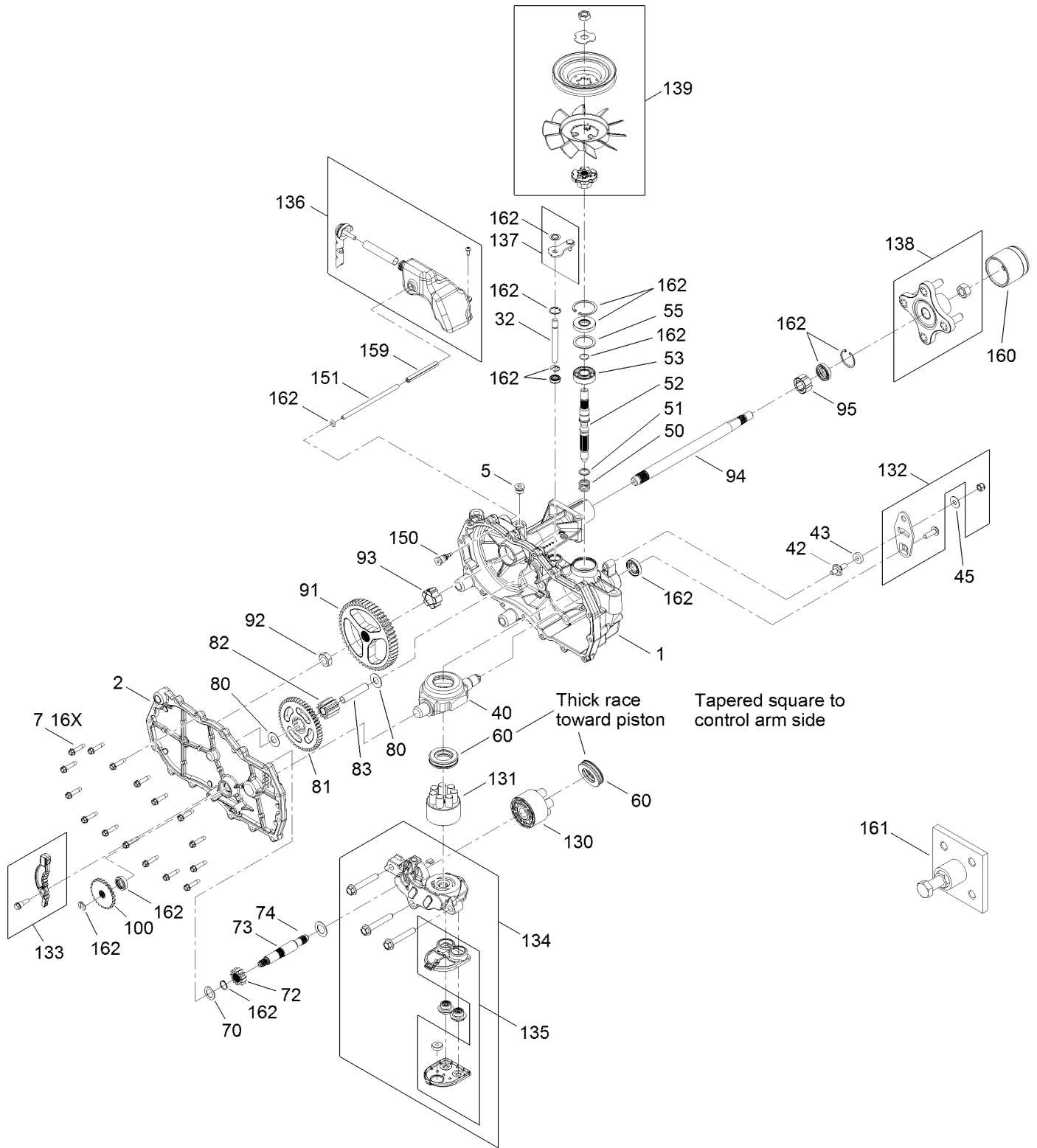


Left Hand Hydro Transaxle Assembly No. 119-3330 (continued)

<i>Ref.</i>	<i>Part Number</i>	<i>Qty.</i>	<i>Description</i>	<i>Ref.</i>	<i>Part Number</i>	<i>Qty.</i>	<i>Description</i>
1	120-5532	1	Main Housing ASM	83	104-5329	1	Pin-Jackshaft
2	120-5534	1	Housing Side Kit	91	120-5539	1	Gear-Bull
5	104-2189	1	Plug-Thread, Straight	92	104-2142	1	Nut-HJ
7	117-5359	16	Screw-HHF	93	115-8314	1	Bushing-Inboard
13	104-2147	1	Sealant ●	94	120-5540	1	Shaft-Axle
32	106-8678	2	Rod-Bypass	95	120-5541	1	Bearing-Sleeve
40	104-5304	1	Swashplate-Trunnion	100	106-8694	1	Disc-Brake, Cog
42	104-2116	1	Stud	130	103-2666	1	Cylinder Block Kit
43	112-9853	1	Puck-Friction	131	110-8561	1	Pump Block ASM
45	114-8491	1	Washer	132	117-5362	1	Control Arm Kit
50	120-5537	1	Spring-Compression	133	106-8688	1	Brake Arm Kit
51	120-5538	1	Washer	134	112-9861	1	Center Section Filter Kit
52	104-5306	1	Shaft-Input	135	114-1634	1	Filter Kit
53	104-5311	1	Bearing-Ball	136	121-5730	1	RH Expansion Tank Kit
55	104-5308	1	Spacer	137	120-5549	1	Bypass Kit
60	94-6922	1	Bearing-Thrust	138	121-5731	1	Hub Kit
70	104-5339	1	Washer-Flat	139	121-5729	1	Fan Pulley Kit
72	104-5316	1	Gear-Pinion, 13T	150	104-5349	1	Fitting-SAE
73	106-8683	1	Shaft-Motor	151	115-8302	1	Hose
74	104-5360	1	Washer	159	121-5728	1	Case-Tube
80	119-5541	2	Washer	160	125-0041	1	Cap-Axle
81	104-5317	1	Gear-10T/48T	161	114-8467	1	Puller-Hub, 4 Bolt
82	104-5318	1	Gear-Jackshaft, 10T	162	120-7103	1	Seal And Ring Kit

● Not illustrated

Right Hand Hydro Transaxle Assembly No. 119-3331

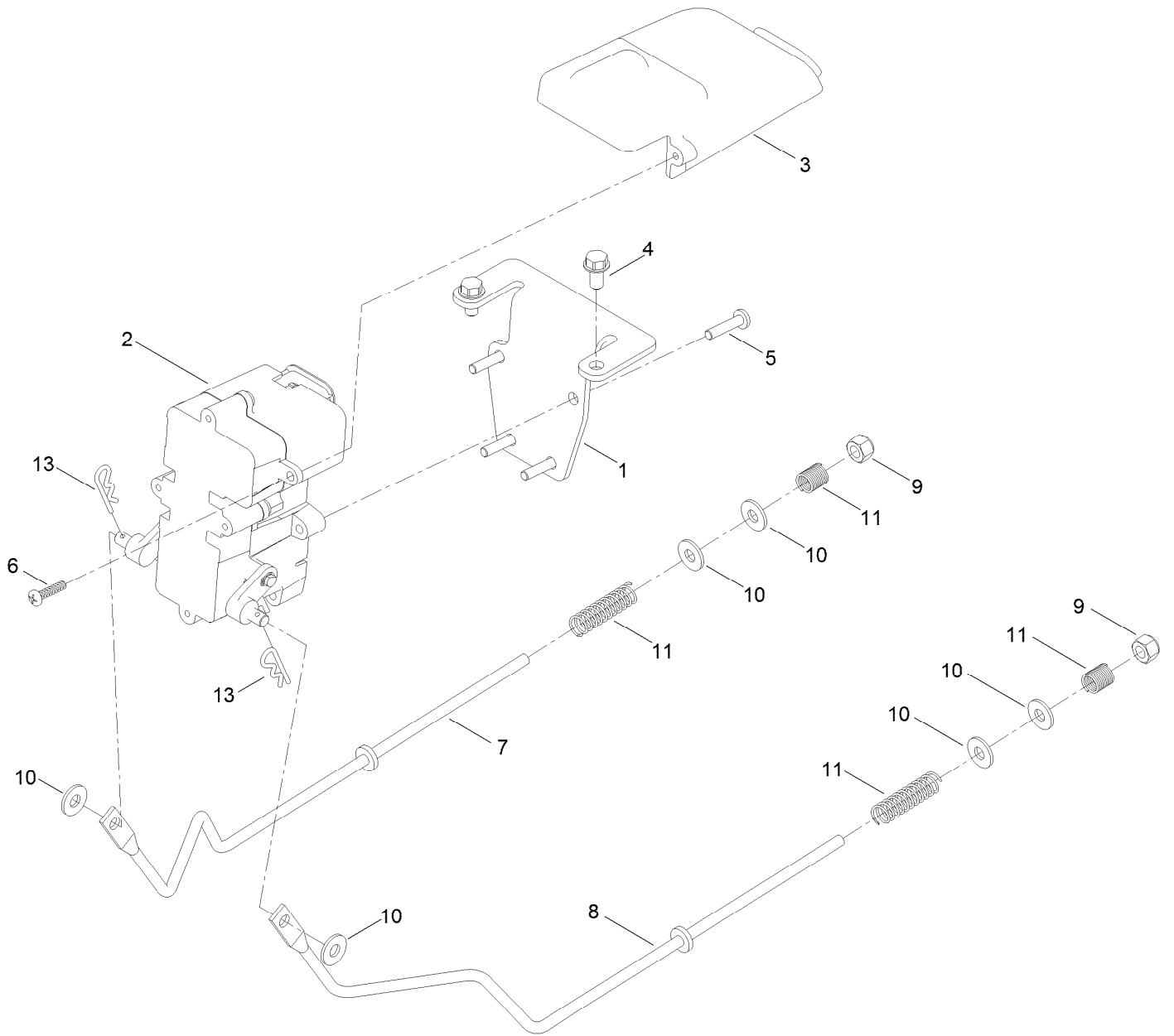


Right Hand Hydro Transaxle Assembly No. 119-3331 (continued)

<i>Ref.</i>	<i>Part Number</i>	<i>Qty.</i>	<i>Description</i>	<i>Ref.</i>	<i>Part Number</i>	<i>Qty.</i>	<i>Description</i>
1	120-5531	1	Main Housing ASM	83	104-5329	1	Pin-Jackshaft
2	120-5533	1	Housing Side Kit	91	120-5539	1	Gear-Bull
5	104-2189	1	Plug-Thread, Straight	92	104-2142	1	Nut-HJ
7	117-5359	16	Screw-HHF	93	115-8314	1	Bushing-Inboard
13	104-2147	1	Sealant ●	94	120-5540	1	Shaft-Axle
32	106-8678	2	Rod-Bypass	95	120-5541	1	Bearing-Sleeve
40	104-5304	1	Swashplate-Trunnion	100	106-8694	1	Disc-Brake, Cog
42	104-2116	1	Stud	130	103-2666	1	Cylinder Block Kit
43	112-9853	1	Puck-Friction	131	110-8561	1	Pump Block ASM
45	114-8491	1	Washer	132	117-5362	1	Control Arm Kit
50	120-5537	1	Spring-Compression	133	106-8688	1	Brake Arm Kit
51	120-5538	1	Washer	134	112-9862	1	Center Section Filter Kit
52	104-5306	1	Shaft-Input	135	114-1634	1	Filter Kit
53	104-5311	1	Bearing-Ball	136	121-5735	1	LH Expansion Tank Kit
55	104-5308	1	Spacer	137	107-2489	1	Bypass Arm Kit
60	94-6922	1	Bearing-Thrust	138	121-5731	1	Hub Kit
70	104-5339	1	Washer-Flat	139	121-5729	1	Fan Pulley Kit
72	104-5316	1	Gear-Pinion, 13T	150	104-5349	1	Fitting-SAE
73	106-8683	1	Shaft-Motor	151	115-8302	1	Hose
74	104-5360	1	Washer	159	121-5728	1	Case-Tube
80	119-5541	2	Washer	160	125-0041	1	Cap-Axle
81	104-5317	1	Gear-10T/48T	161	114-8467	1	Puller-Hub, 4 Bolt
82	104-5318	1	Gear-Jackshaft, 10T	162	120-7103	1	Seal And Ring Kit

● Not illustrated

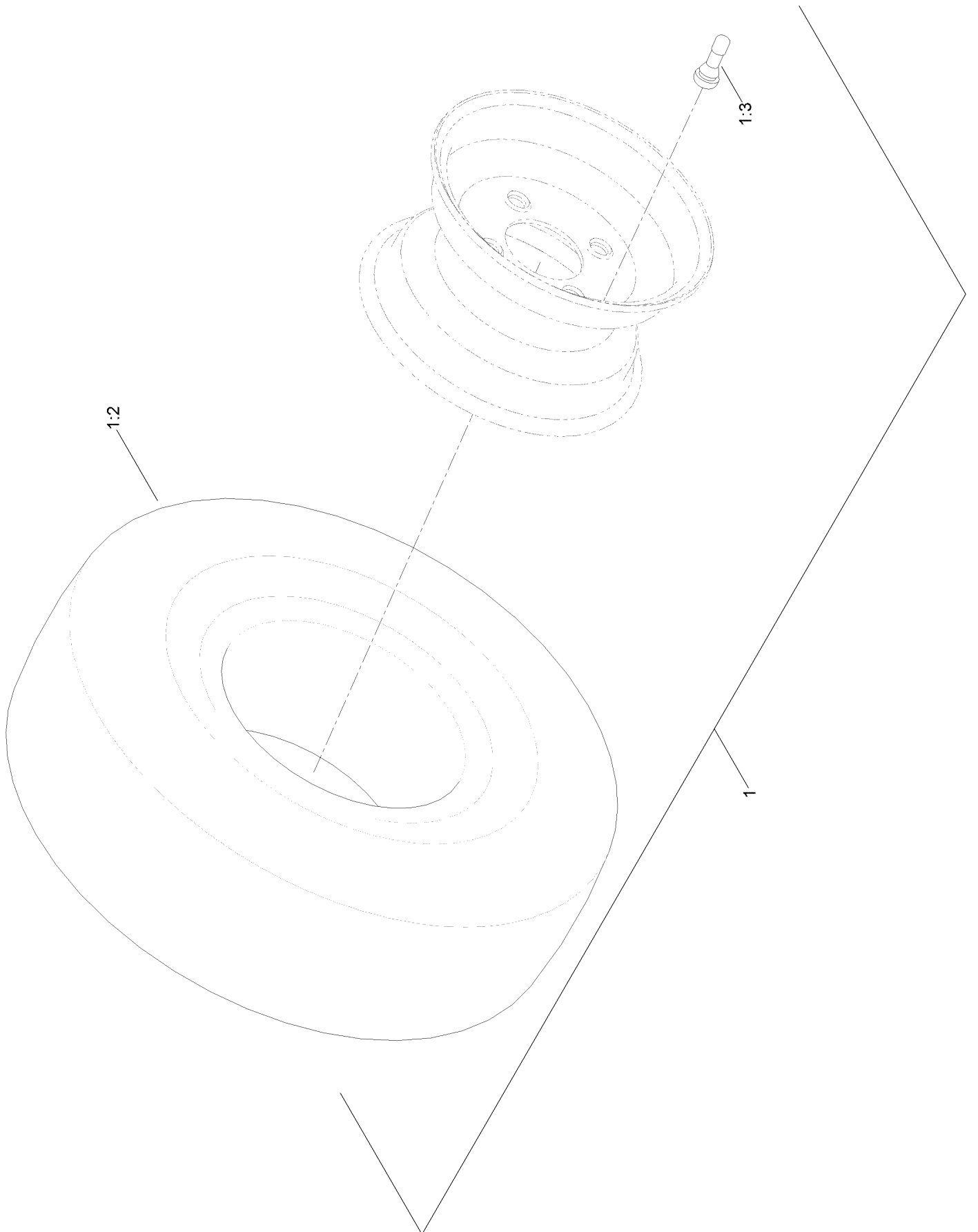
Brake Assembly



Brake Assembly (continued)

<i>Ref.</i>	<i>Part Number</i>	<i>Qty.</i>	<i>Description</i>	<i>Ref.</i>	<i>Part Number</i>	<i>Qty.</i>	<i>Description</i>
1	130-0790-03	1	Bracket-Mount, Brake	7	121-2974	1	Rod-Brake, RH
2	136-4213	1	Brake Box ASM	8	121-2975	1	Rod-Brake, LH
3	132-6949	1	Cover-Connector	9	137-3088	2	Nut-Hex
4	32144-4	2	Screw-HWH	10	119-8952	6	Washer
5	32144-36	4	Screw-PPH	11	117-1169	4	Spring-Compression
6	94-4496	2	Screw-PPH	13	137-3083	2	Pin-Hair

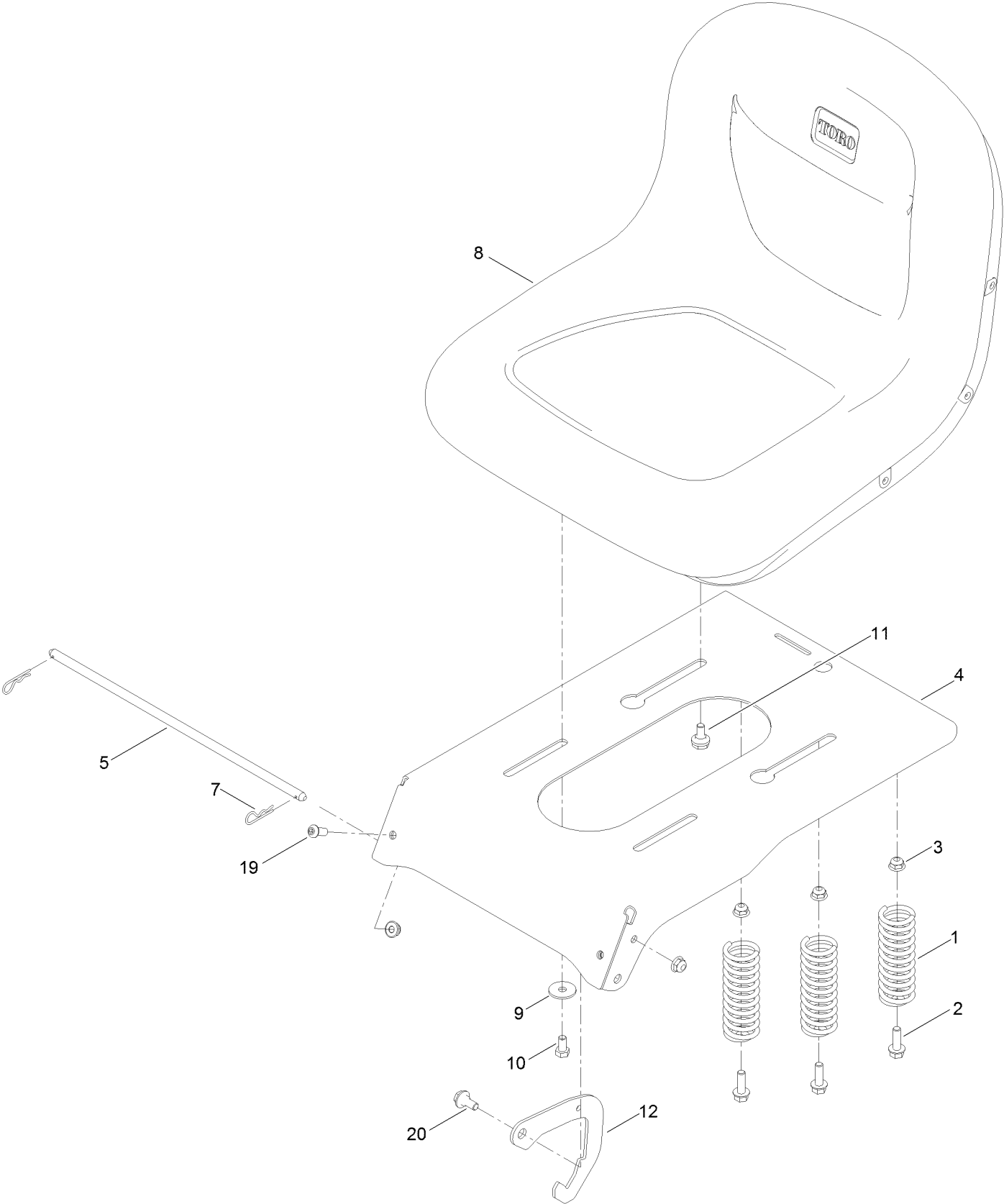
Rear Tire Assembly



Rear Tire Assembly (continued)

<i>Ref.</i>	<i>Part Number</i>	<i>Qty.</i>	<i>Description</i>
1	131-3670	2	2 Ply Tire And Wheel ASM
1:2	131-3677	1	Tire-2 Ply
1:3	232-27	1	Stem-Valve

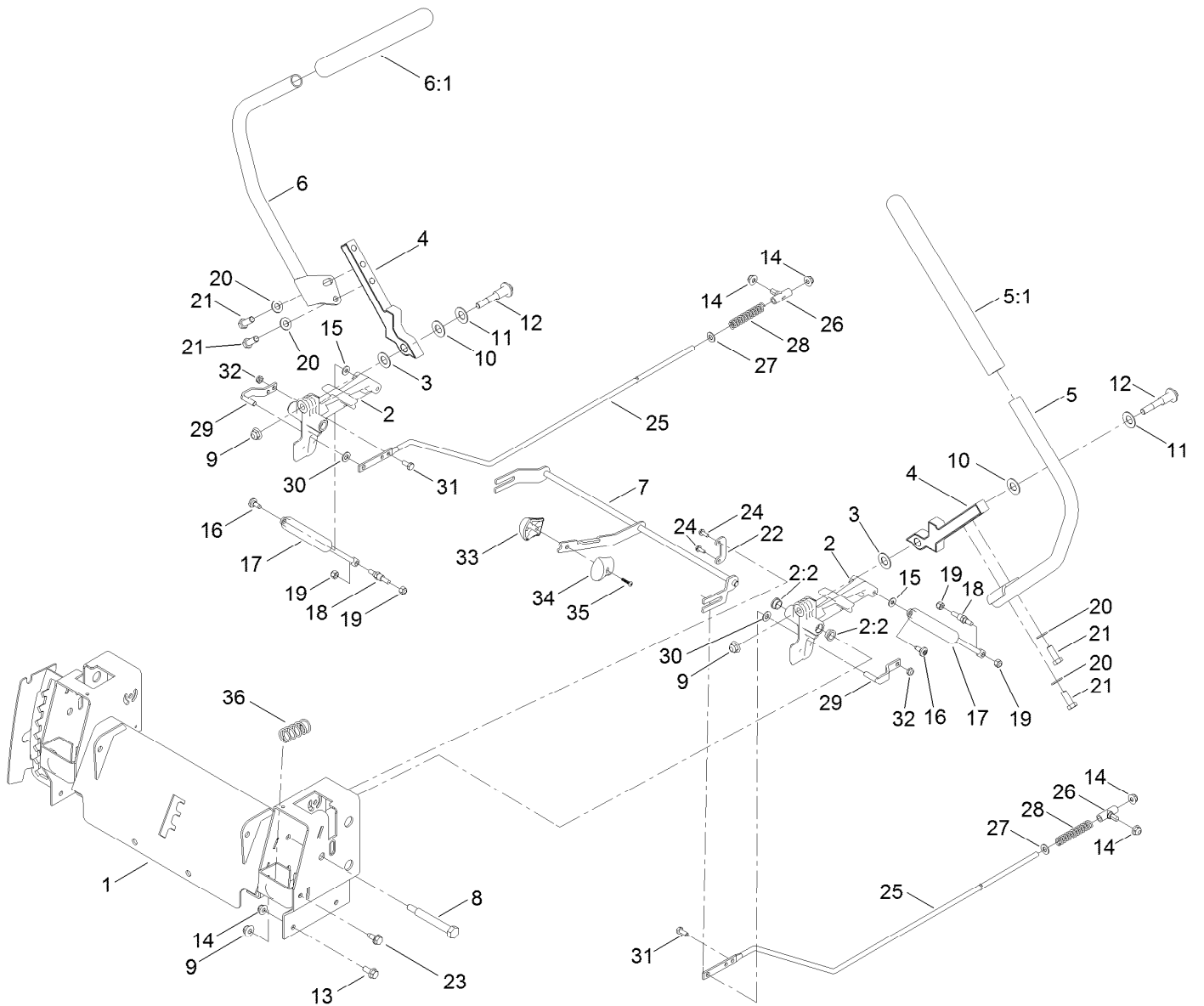
Seat Assembly



Seat Assembly (continued)

<i>Ref.</i>	<i>Part Number</i>	<i>Qty.</i>	<i>Description</i>	<i>Ref.</i>	<i>Part Number</i>	<i>Qty.</i>	<i>Description</i>
1	92-7054	3	Spring-Compression	9	5-4460	2	Washer-Pivot
2	139-2596	3	Screw-HHF	10	139-2585	2	Screw-HH
3	119-4041	6	Nut-HF	11	37-8771	2	Bolt-Shoulder, HF
4	131-4037-01	1	Pan-Seat	12	138-7250	1	Seat Latch
5	138-7213	1	Rod-Pivot, Narrow	19	3274-55	2	Screw-HSBH
7	3290-250	2	Pin-Cotter	20	19-1470	1	Screw-Shoulder
8	119-8828	1	Seat-15 Inch				

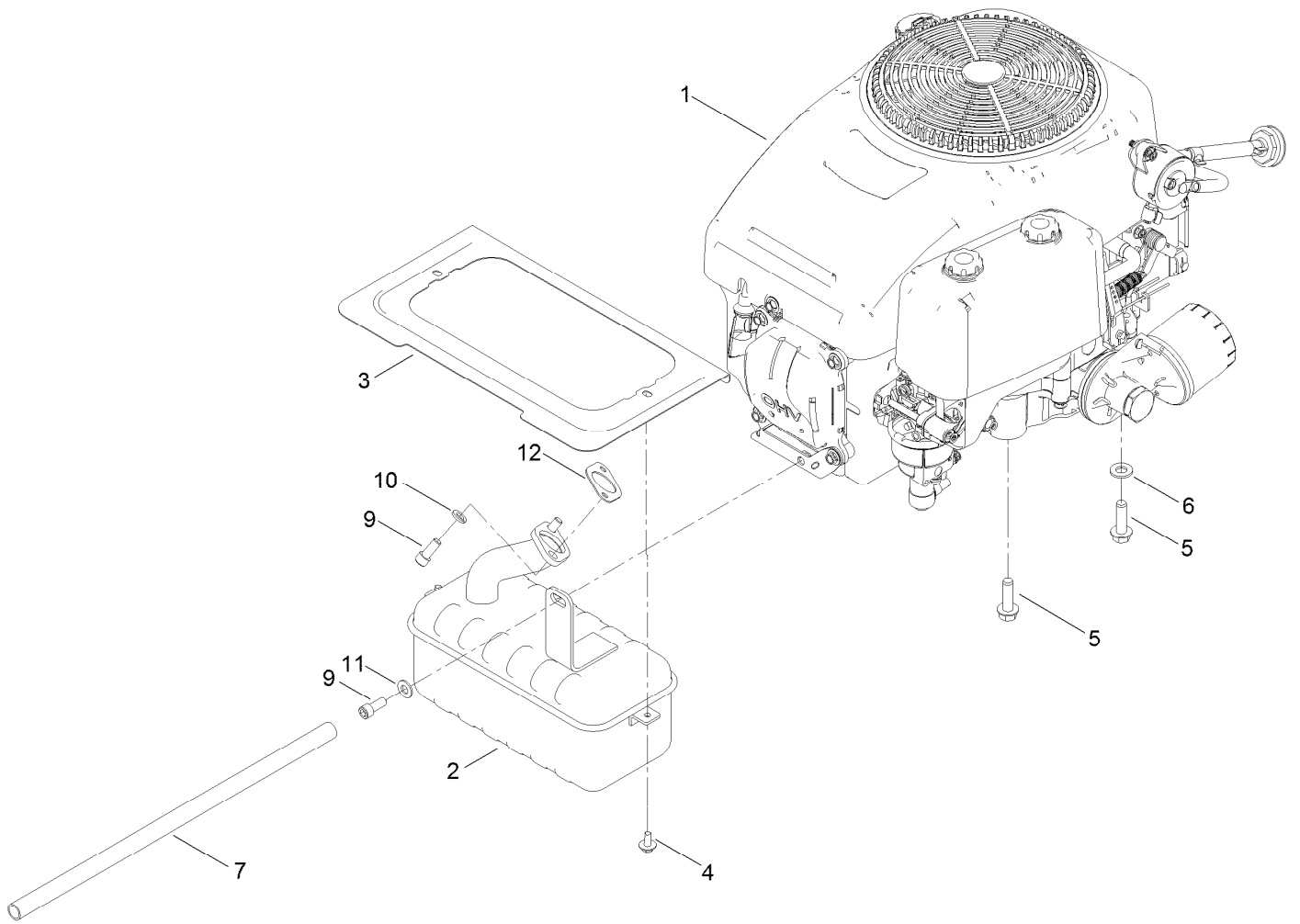
Motion Control Assembly



Motion Control Assembly (continued)

<i>Ref.</i>	<i>Part Number</i>	<i>Qty.</i>	<i>Description</i>	<i>Ref.</i>	<i>Part Number</i>	<i>Qty.</i>	<i>Description</i>
1	136-4156-03	1	Control Box ASM	18	138-7215	2	Stud-Damper
2	119-3470	2	Actuator Arm ASM	19	137-3088	4	Nut-Hex
2:2	256-156	2	Bushing-Flange	20	115-1166	4	Washer-Flat
3	120-2273	2	Washer-Nylon	21	139-2600	4	Screw-HH
4	133-9299-05	2	Arm-Control	22	138-7216	2	Retainer
5	133-7055	1	Handle-Control, LH	23	32144-70	4	Screw-HWHTF
5:1	121-0726	1	Grip	24	139-1713	4	Screw-Taptite
6	133-7057	1	Handle-Control, RH	25	138-7217	2	Rod-Hydro
6:1	121-0726	1	Grip	26	138-7218	2	Mount-Rod, Hydro
7	133-9300	1	Speed Control ASM	27	120-9683	2	Washer-Plain
8	115-5099	2	Bolt-Pivot	28	138-7252	2	Spring-Compression
9	119-4042	4	Nut-HF, NI	29	121-1753	2	Pin-Rod, Hydro
10	117-1240	2	Washer	30	93-6079	2	Spacer-Nylon
11	119-8925	2	Washer-Belleville	31	137-3041	2	Screw-HH
12	139-2556	2	Bolt-Pivot	32	137-3091	2	Nut-Hex
13	139-2598	6	Screw-HHF	33	132-9368	1	Knob-RH
14	119-4041	10	Nut-HF	34	132-9369	1	Knob-LH
15	119-8952	2	Washer	35	94-4496	1	Screw-PPH
16	120-7950	2	Screw	36	138-7219	2	Spring-Return
17	131-4132	2	Damper				

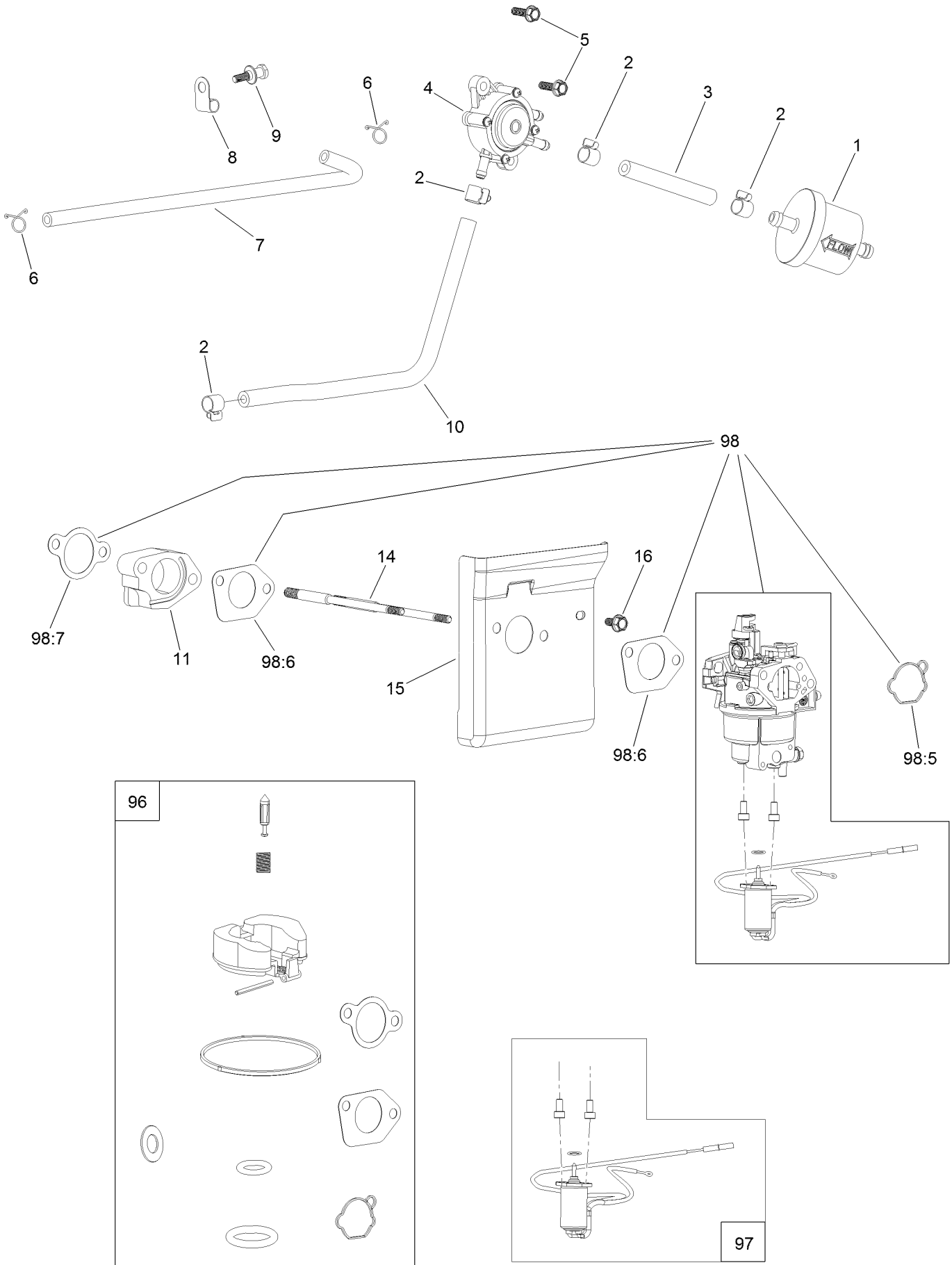
Engine and Muffler Assembly



Engine and Muffler Assembly (continued)

<i>Ref.</i>	<i>Part Number</i>	<i>Qty.</i>	<i>Description</i>	<i>Ref.</i>	<i>Part Number</i>	<i>Qty.</i>	<i>Description</i>
1	139-0605	1	Engine-1P92F-1	7	106-7022	1	Tube-Drain, Oil
2	130-0691	1	Muffler	9	3274-10	3	Screw-HSH
3	131-1071-03	1	Shield-Heat	10	136-8682	2	Washer-Lock
4	139-1700	2	Screw-HWH, Thd Roll	11	120-9683	1	Washer-Plain
5	139-2576	4	Screw-HWH, Thd Roll	12	120-4317	1	Gasket-Exhaust
6	115-1166	3	Washer-Flat				

Fuel System Assembly

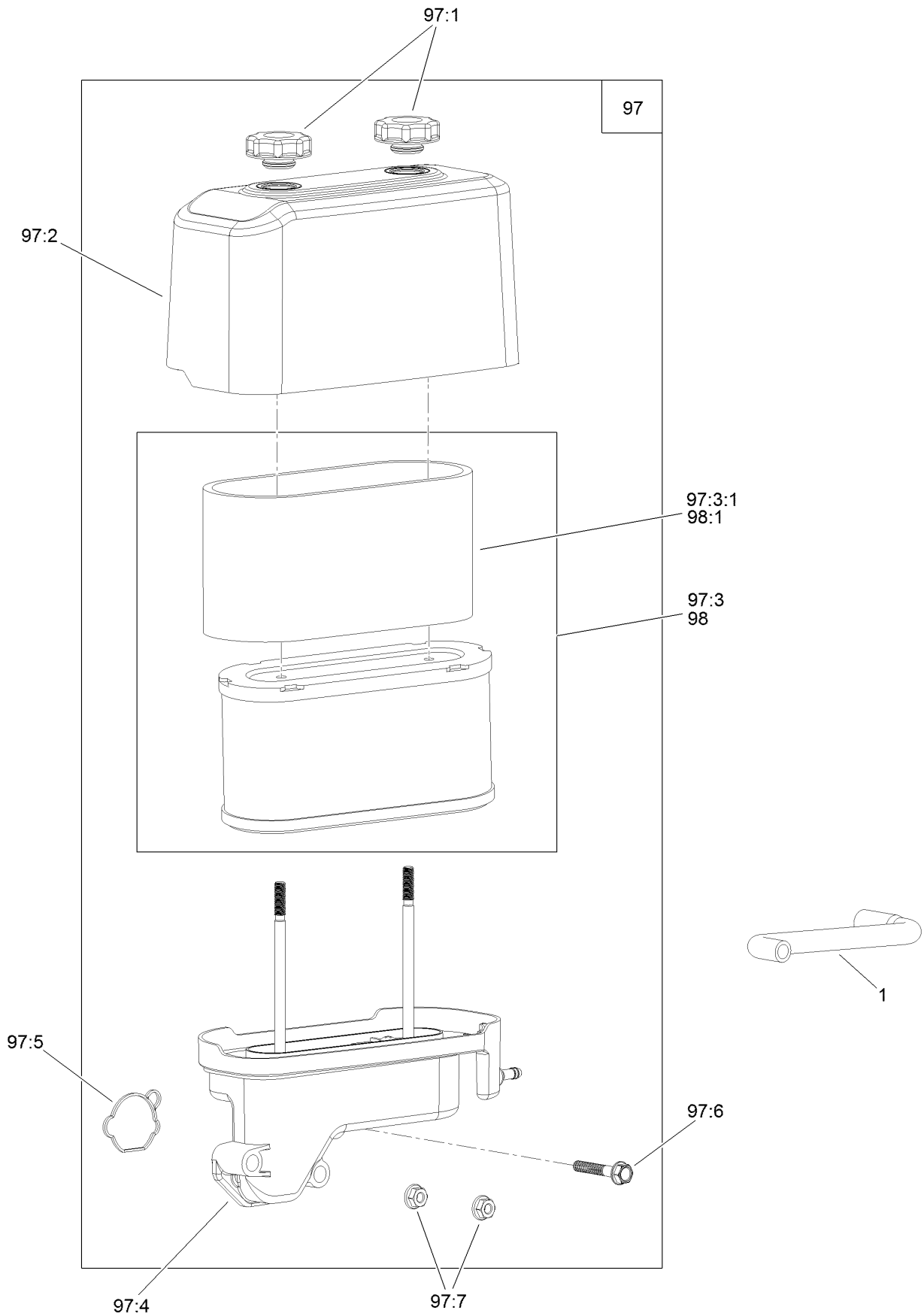


Fuel System Assembly (continued)

<i>Ref.</i>	<i>Part Number</i>	<i>Qty.</i>	<i>Description</i>	<i>Ref.</i>	<i>Part Number</i>	<i>Qty.</i>	<i>Description</i>
1	133-1563	1	Filter-Fuel	14	120-4202	2	Stud-Mount, Carburetor
2	120-4251	4	Clamp-Fuel Line	15	120-4248	1	Shield-Heat
3	120-4371	1	Line-Fuel	16	120-4216	1	Screw-HHF
4	120-4353	1	Pump-Pulse, Fuel	96	127-9194	1	Carb Repair Kit With Gaskets
5	120-4232	2	Screw-HHF	97	127-9190	1	Solenoid Kit
6	121-0114	2	Clamp-Hose	98	136-7826	1	Carburetor Kit
7	136-7830	1	Line-Pulse	98:5	127-9185	1	Gasket-Carburetor
8	120-4287	1	Clamp-J	98:6	120-4247	2	Gasket-Carburetor
9	120-4217	1	Screw-Shoulder, HH	98:7	120-4250	1	Gasket-Carburetor
10	120-4370	1	Line-Fuel	99	133-9929	1	High Altitude Kit ●
11	120-4249	1	Insulator-Carburetor				

● Not illustrated

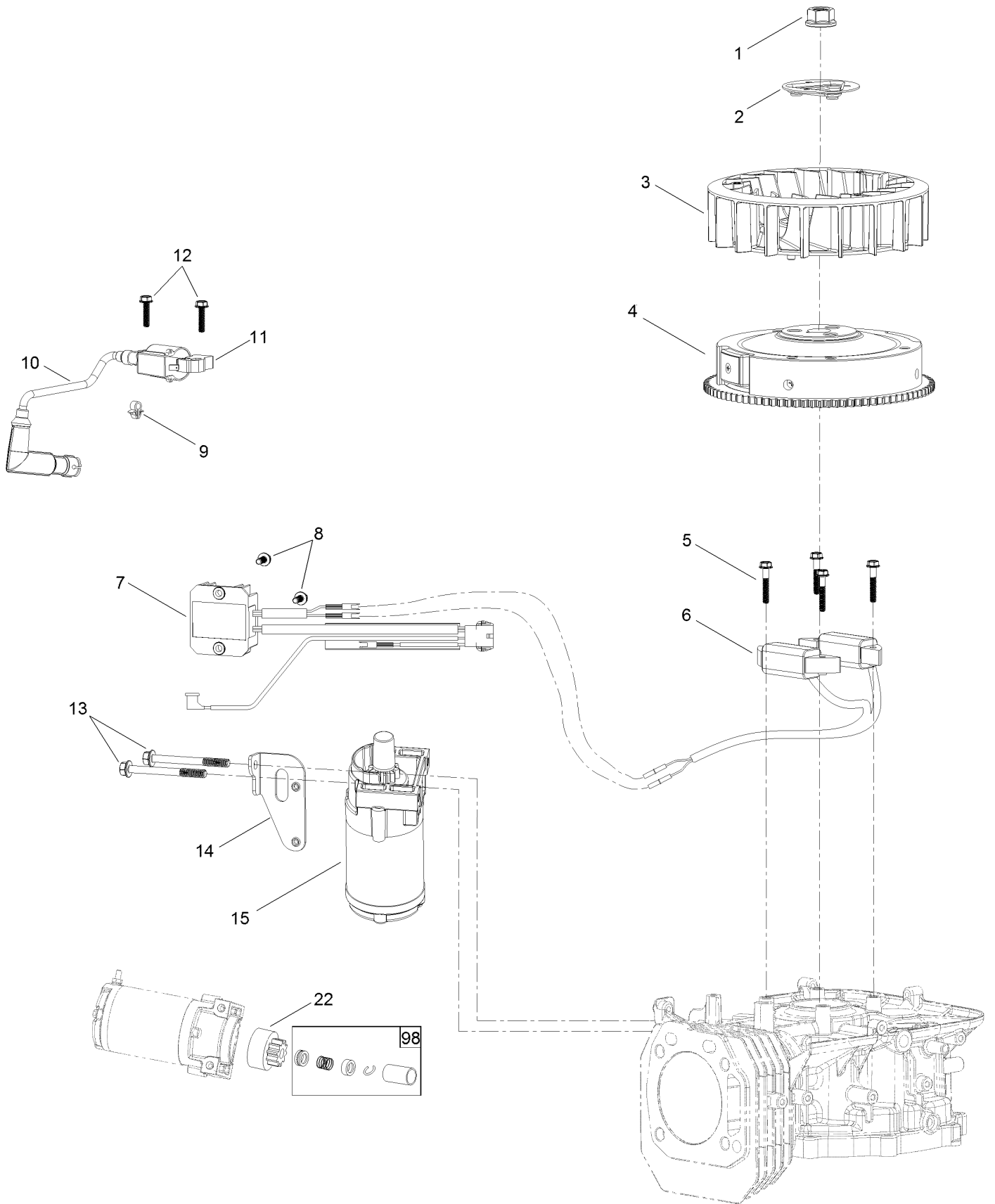
Air Intake and Filtration Assembly



Air Intake and Filtration Assembly (continued)

<i>Ref.</i>	<i>Part Number</i>	<i>Qty.</i>	<i>Description</i>	<i>Ref.</i>	<i>Part Number</i>	<i>Qty.</i>	<i>Description</i>
1	136-7829	1	Tube-Breather	97:4	127-9191	1	Base-Filter, Air
97	136-7814	1	Air Filter ASM	97:5	127-9185	1	Gasket-Carburetor
97:1	120-4312	2	Nut-Speed	97:6	120-4284	1	Screw-HHF
97:2	120-4311	1	Cover-Filter, Air	97:7	120-4236	2	Nut-Flange
97:3	136-7809	1	Air Filter Kit	98	136-7809	1	Air Filter Kit
97:3:1	136-7807	1	Prefilter	98:1	136-7807	1	Prefilter

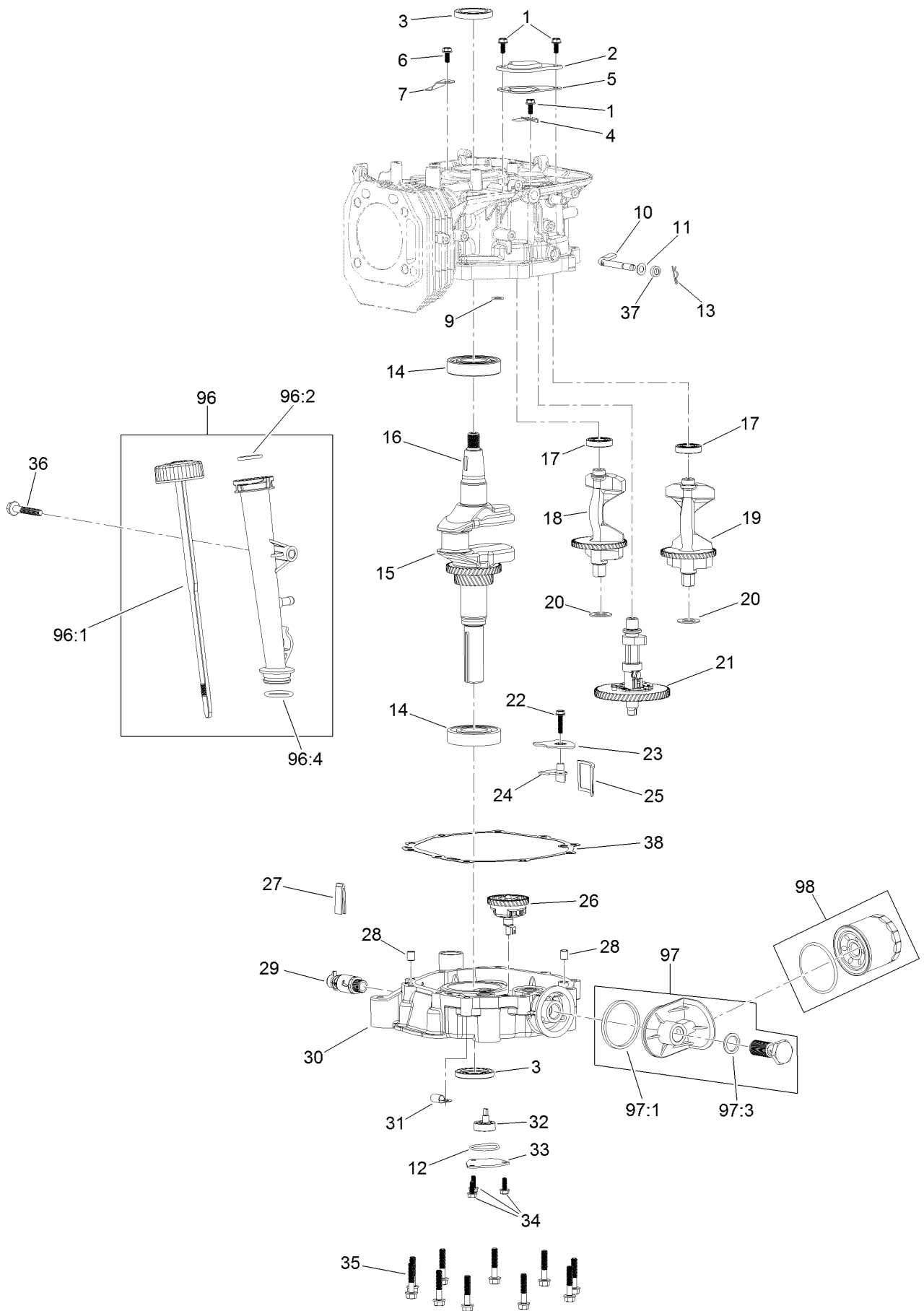
Ignition and Electrical Assembly



Ignition and Electrical Assembly (continued)

<i>Ref.</i>	<i>Part Number</i>	<i>Qty.</i>	<i>Description</i>	<i>Ref.</i>	<i>Part Number</i>	<i>Qty.</i>	<i>Description</i>
1	120-4213	1	Nut-Flange	10	120-4226	1	Boot-Plug, Spark
2	120-4212	1	Pulley-Starter	11	136-7831	1	Ignition Coil ASM
3	120-4211	1	Fan-Cooling	12	120-4225	2	Screw-HHF
4	120-4399	1	Flywheel	13	120-4231	2	Screw-HHF
5	120-4223	4	Screw-HHF	14	120-4230	1	Bracket-Starter
6	136-7833	1	Alternator	15	136-7832	1	Motor-Starter
7	136-7836	1	Voltage Regulator	22	133-1562	1	Pinion-Starter
8	120-4216	3	Screw-HHF	98	120-4392	1	Starter Repair Kit
9	120-4316	1	Clamp-Wire				

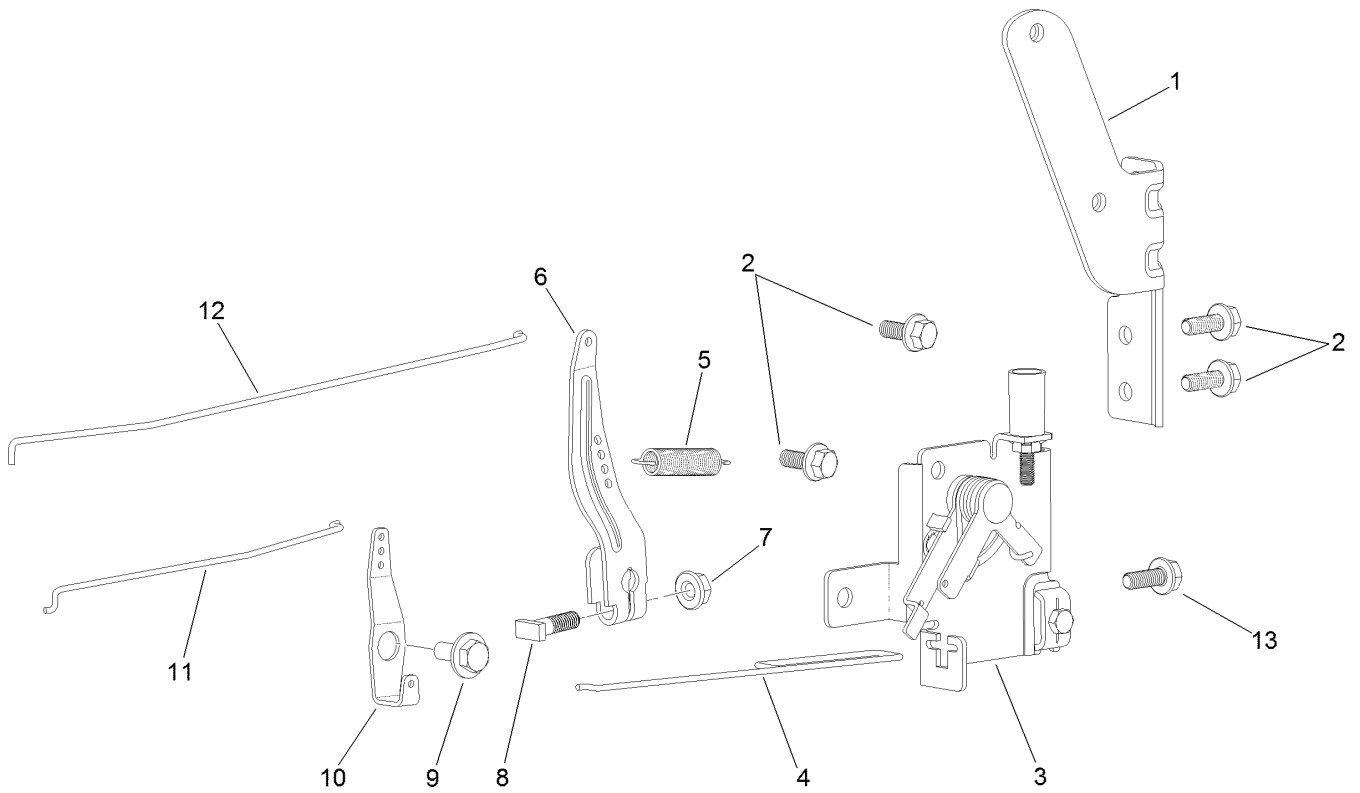
Crankcase Assembly



Crankcase Assembly (continued)

<i>Ref.</i>	<i>Part Number</i>	<i>Qty.</i>	<i>Description</i>	<i>Ref.</i>	<i>Part Number</i>	<i>Qty.</i>	<i>Description</i>
1	120-4216	3	Screw-HHF	25	120-4341	1	Strainer-Oil
2	120-4265	1	Plate-Breather	26	136-7834	1	Gear-Governor
3	120-4267	2	Seal-Oil	27	120-4275	1	Deflector-Oil, Rubber
4	120-4263	1	Valve-Reed	28	120-4274	2	Pin-Dowel
5	120-4264	1	Gasket-Breather	29	120-4321	1	Valve-Drain, Oil
6	120-4234	1	Screw-HHF	30	136-7828	1	Cover-Crankcase
7	120-4268	1	Retainer	31	127-9188	1	Clamp-Hose
9	120-4262	1	O-Ring	32	120-4344	1	Oil Pump ASM
10	136-7887	1	Shaft-Governor	33	120-4270	1	Cover-Pump, Oil
11	120-4258	1	Washer-Plain	34	120-4232	3	Screw-HHF
12	120-4343	1	Seal-Pump, Oil	35	120-4273	10	Screw-HHF
13	120-4256	1	Pin-Hair	36	120-4284	1	Screw-HHF
14	120-4261	2	Bearing-Ball	37	120-4257	1	Seal-Oil
15	120-4293	1	Crankshaft	38	120-4260	1	Gasket-Crankcase
16	120-4320	1	Key-Woodruff	96	120-4355	1	Dipstick And Tube Kit
17	120-4266	2	Bearing-Ball	96:1	120-4350	1	Dipstick ASM
18	127-9179	1	Shaft-Balance, R	96:2	120-4348	1	O-Ring
19	127-9180	1	Shaft-Balance, L	96:4	120-4282	1	O-Ring
20	136-7886	2	Washer	97	120-4363	1	Oil Adaptor Kit
21	120-4297	1	Camshaft	97:1	120-4362	1	Seal-Adaptor, Oil
22	120-4225	1	Screw-HHF	97:3	120-4360	1	Washer-Filter, Oil
23	120-4342	1	Cover-Strainer, Oil	98	136-7848	1	Filter-Oil
24	120-4279	1	Plate-Baffle, Oil				

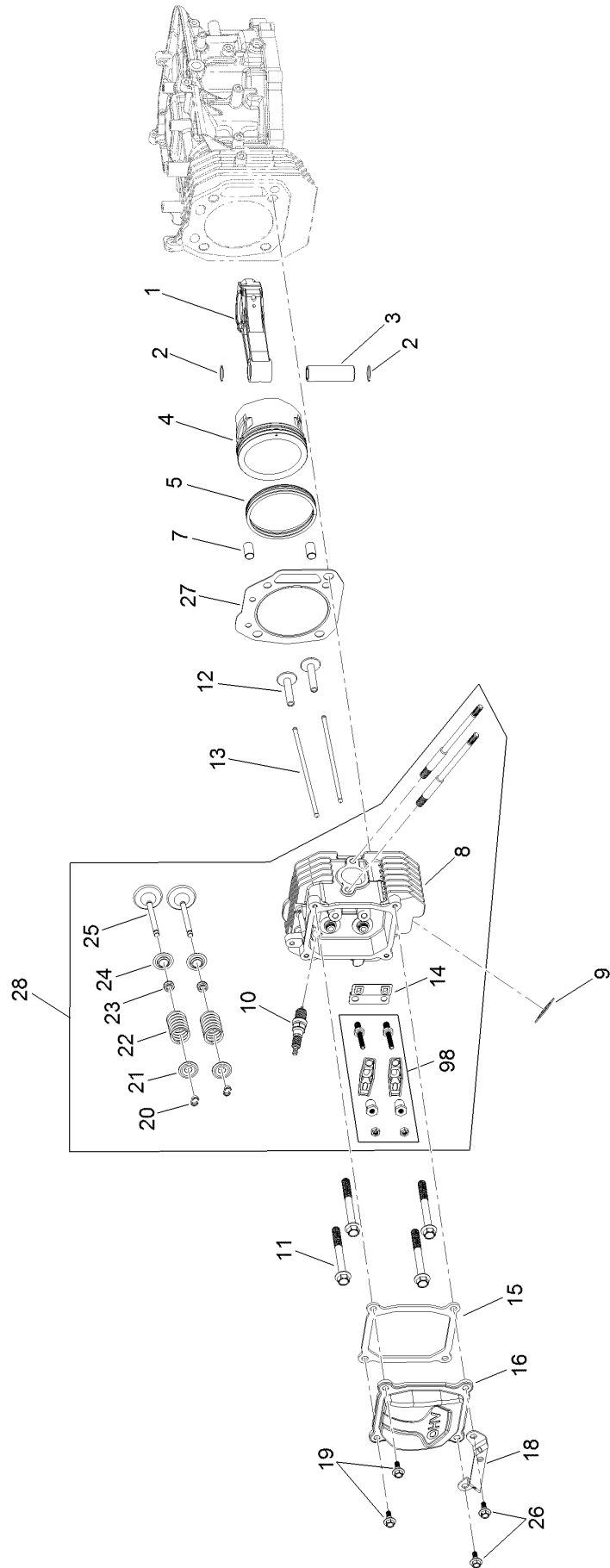
Governor Control Assembly



Governor Control Assembly (continued)

<i>Ref.</i>	<i>Part Number</i>	<i>Qty.</i>	<i>Description</i>	<i>Ref.</i>	<i>Part Number</i>	<i>Qty.</i>	<i>Description</i>
1	120-4357	1	Bracket-Pump, Fuel	8	120-4238	1	Bolt-Arm, Governor
2	120-4234	4	Screw-HHF	9	120-4241	1	Screw-Shoulder, HHF
3	120-4358	1	Control-Throttle	10	120-4242	1	Bellcrank-Choke
4	120-4243	1	Rod-Throttle	11	120-4240	1	Rod-Choke
5	120-4337	1	Spring-Governor	12	120-4239	1	Rod-Governor
6	120-4237	1	Arm-Governor	13	120-4232	1	Screw-HHF
7	120-4236	1	Nut-Flange				

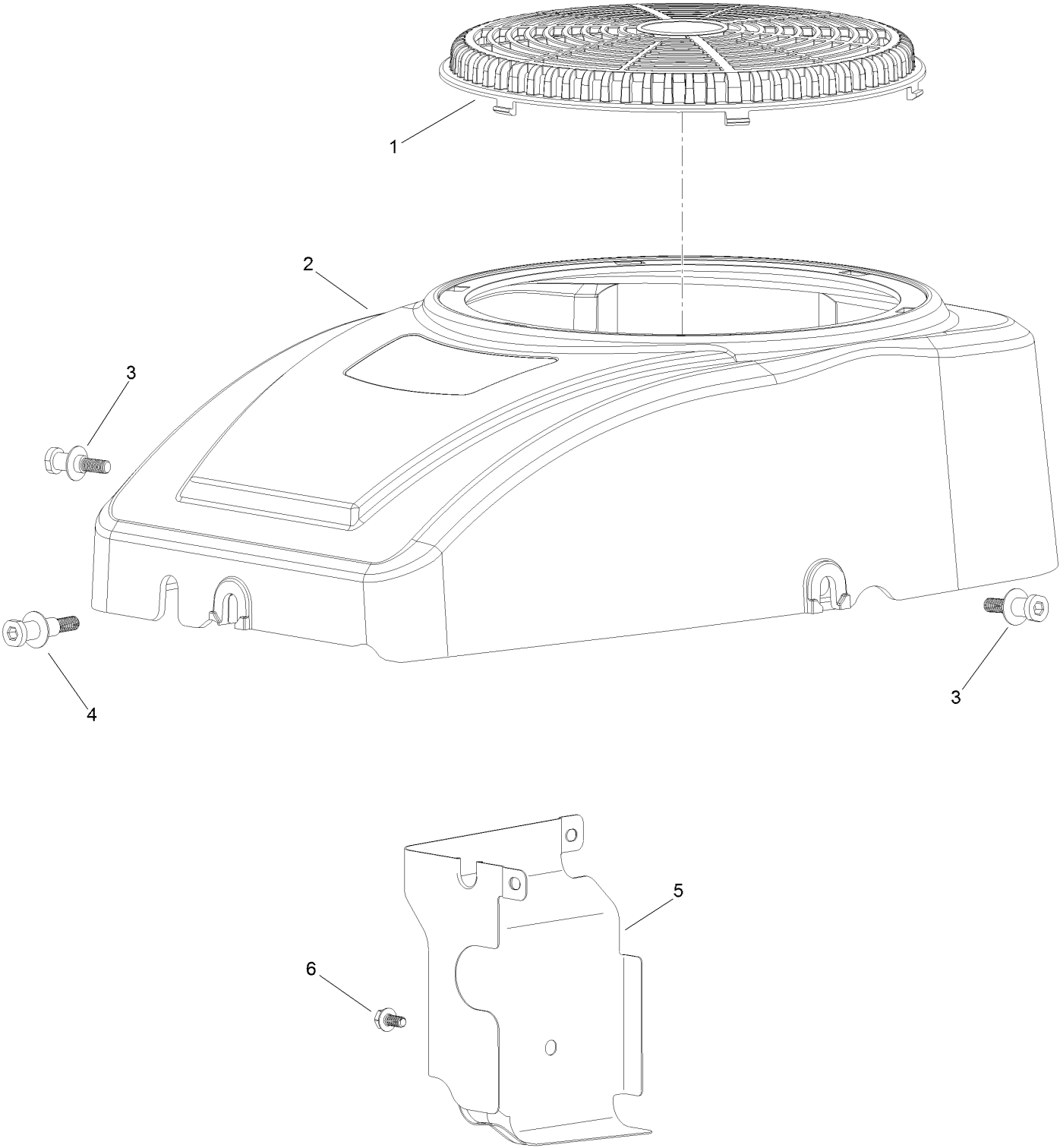
Piston and Cylinder Head Assembly



Piston and Cylinder Head Assembly (continued)

<i>Ref.</i>	<i>Part Number</i>	<i>Qty.</i>	<i>Description</i>	<i>Ref.</i>	<i>Part Number</i>	<i>Qty.</i>	<i>Description</i>
1	120-4292	1	Connecting Rod ASM	16	120-4207	1	Cover-Valve
2	120-4288	2	Ring-Retaining, Piston Pin	18	120-4345	1	Bracket-Muffler
3	120-4291	1	Pin-Piston	19	120-4209	2	Screw-Shoulder, HHF
4	120-4290	1	Piston	20	120-4307	4	Keeper-Valve
5	120-4289	1	Ring Set	21	120-4306	2	Retainer-Spring, Valve
7	120-4200	2	Pin-Dowel	22	120-4305	2	Spring-Valve
8	120-4203	1	Head-Cylinder	23	120-4304	2	Seal-Stem, Valve
9	120-4317	1	Gasket-Exhaust	24	120-4303	2	Seat-Spring, Valve
10	77-7330	1	Plug-Spark	25	120-4302	2	Valve Set
11	120-4205	4	Screw-HHF	26	120-4210	2	Screw-Shoulder, HHF
12	120-4298	2	Lifter-Valve	27	120-4201	1	Gasket-Cylinder
13	120-4340	2	Rod-Push	28	136-7888	1	Complete Head ASM
14	120-4300	1	Plate-Guide, Push Rod	98	136-7885	1	Rocker Arm Kit
15	120-4206	1	Gasket-Cover, Valve				

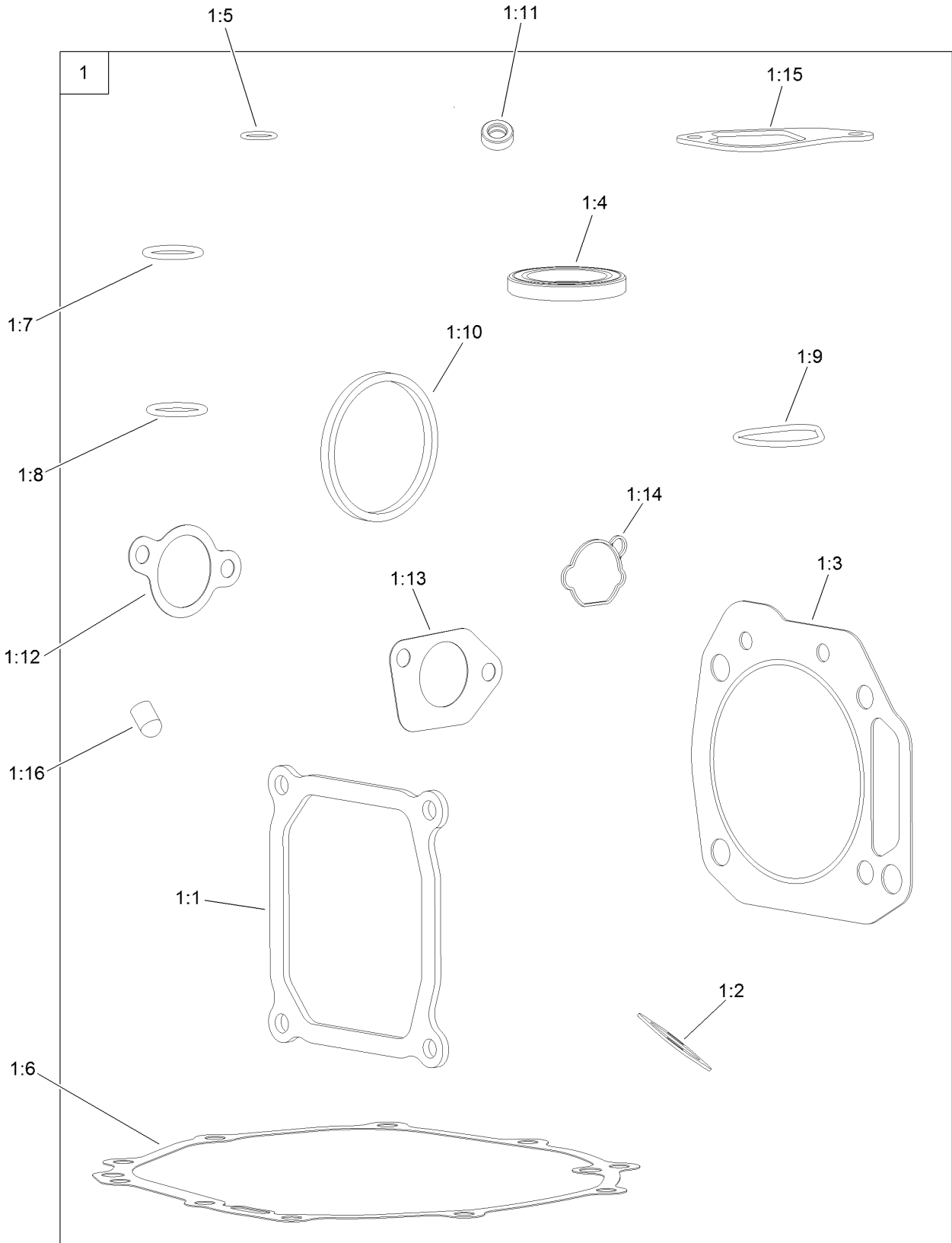
Blower Housing Assembly



Blower Housing Assembly (continued)

<i>Ref.</i>	<i>Part Number</i>	<i>Qty.</i>	<i>Description</i>	<i>Ref.</i>	<i>Part Number</i>	<i>Qty.</i>	<i>Description</i>
1	120-4219	1	Screen-Stationary	4	120-4214	1	Screw-Shoulder, HH
2	120-4218	1	Shroud-Fan	5	120-4215	1	Shield
3	120-4217	2	Screw-Shoulder, HH	6	120-4216	1	Screw-HHF

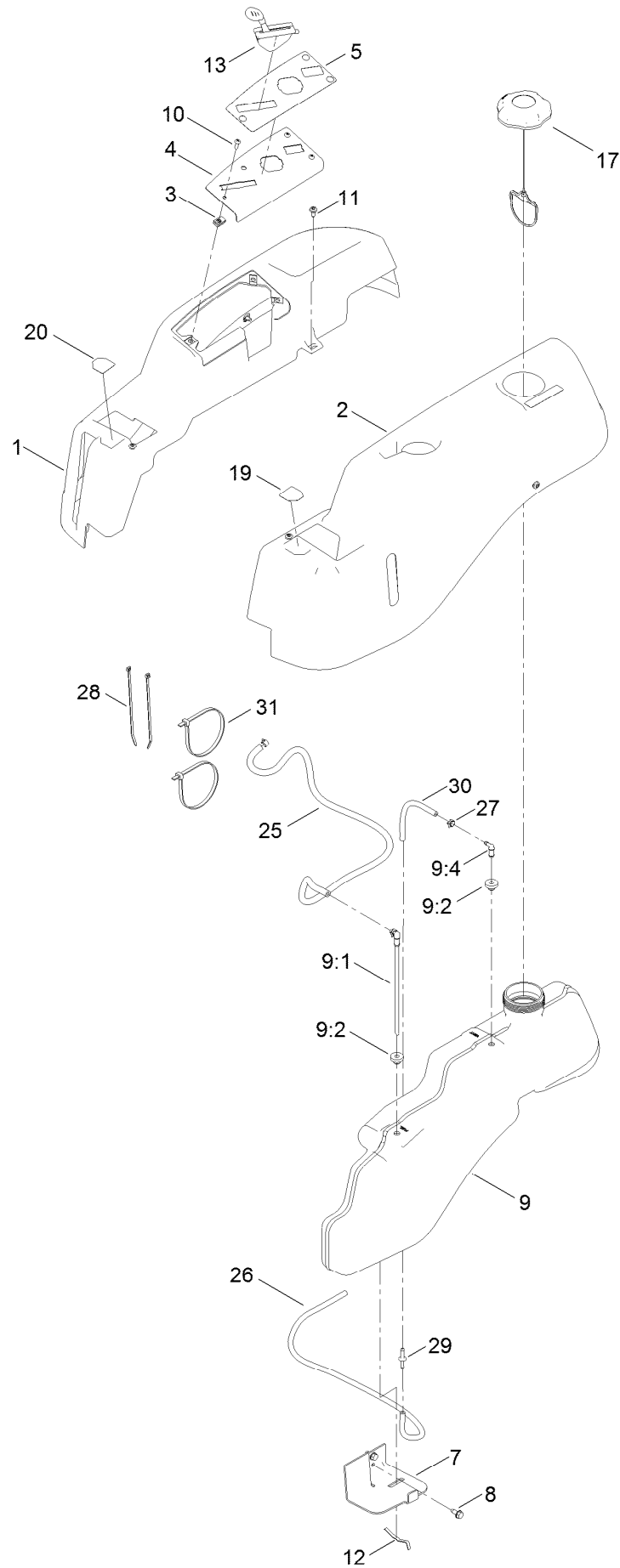
Gasket and Seal Kit



Gasket and Seal Kit (continued)

<i>Ref.</i>	<i>Part Number</i>	<i>Qty.</i>	<i>Description</i>	<i>Ref.</i>	<i>Part Number</i>	<i>Qty.</i>	<i>Description</i>
1	127-9192	1	Gasket And Seal Kit	1:9	120-4343	1	Seal-Pump, Oil
1:1	120-4206	1	Gasket-Cover, Valve	1:10	120-4362	1	Seal-Adaptor, Oil
1:2	120-4317	1	Gasket-Exhaust	1:11	120-4257	1	Seal-Oil
1:3	120-4201	1	Gasket-Cylinder	1:12	120-4250	1	Gasket-Carburetor
1:4	120-4267	2	Seal-Oil	1:13	120-4247	2	Gasket-Carburetor
1:5	120-4262	1	O-Ring	1:14	127-9185	1	Gasket-Carburetor
1:6	120-4260	1	Gasket-Crankcase	1:15	120-4264	1	Gasket-Breather
1:7	120-4348	1	O-Ring	1:16	127-9189	1	Cap-Seal
1:8	120-4282	1	O-Ring				

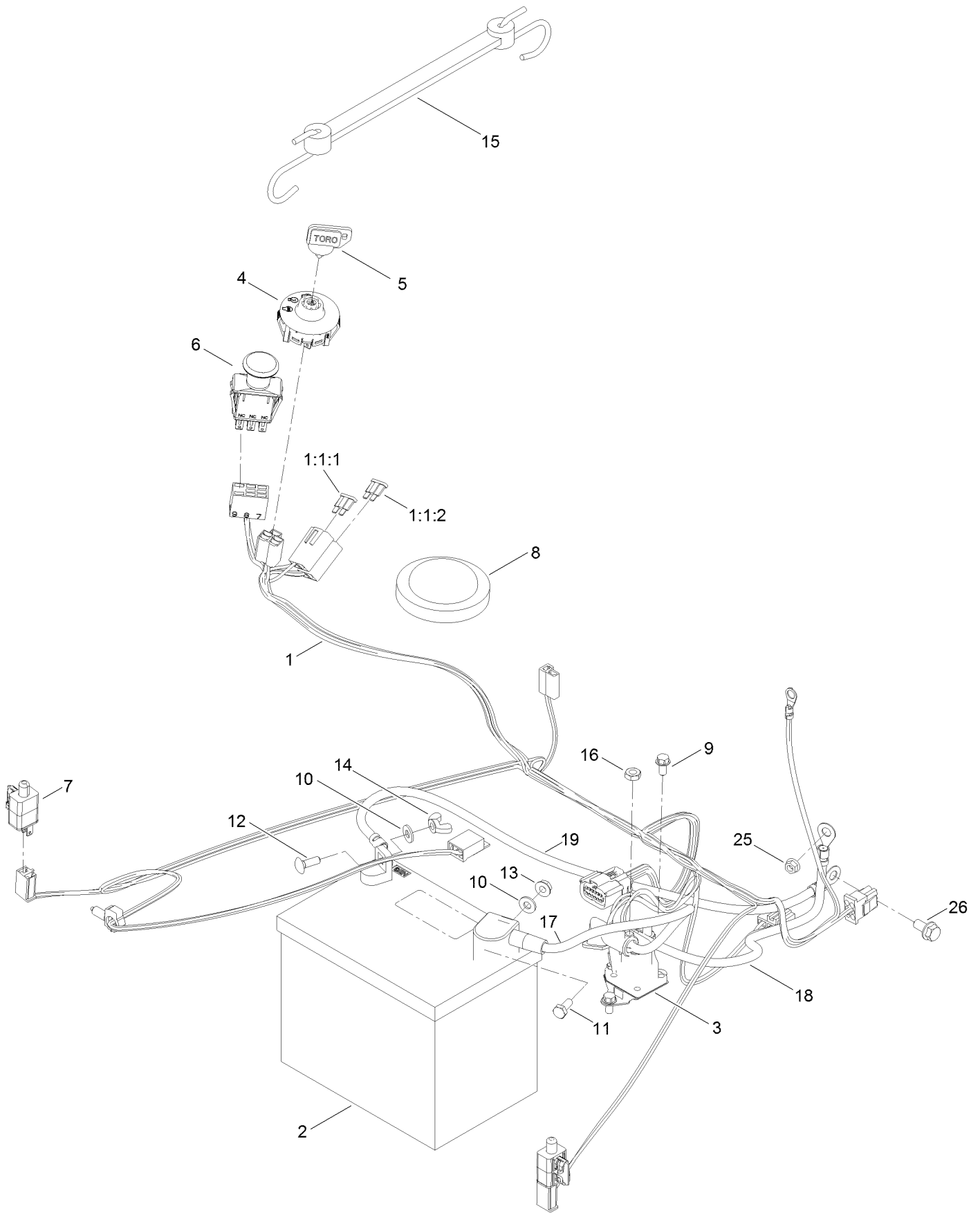
Body Styling and Fuel Tank Assembly



Body Styling and Fuel Tank Assembly (continued)

<i>Ref.</i>	<i>Part Number</i>	<i>Qty.</i>	<i>Description</i>	<i>Ref.</i>	<i>Part Number</i>	<i>Qty.</i>	<i>Description</i>
1	119-3335	1	Pod-RH	12	609830	2	Spring
2	137-7008	1	Pod-LH	13	121-0767	1	Cable-Throttle And Choke
3	107069	3	Clip	17	137-4119	1	Cap-Fuel, Ratcheting
4	119-3378-03	1	Plate-Control	19	119-8814	1	Decal-Lever, Control (LH)
5	121-0771	1	Decal-Panel, Control	20	119-8815	1	Decal-Lever, Control (RH)
7	119-3476-03	1	Support-Tank, Front	25	109-0307	1	Hose-Fuel
8	32144-70	2	Screw-HWHTF	26	110-3254	1	Hose-Fuel
9	119-3324	1	Fuel Tank ASM	27	2412-98	3	Clamp-Hose
9:1	121-0793	1	Connector-Elbow, 90 DEG	28	614249	3	Tie-Cable
9:2	46-6560	2	Bushing	29	117-5399	1	Adaptor-Orifice
9:4	117-7400	1	Fitting-Plastic	30	110-1876	1	Hose-Fuel
10	3258-166	3	Screw-PRH	31	3334-945	2	Tie-Cable
11	120-7950	6	Screw				

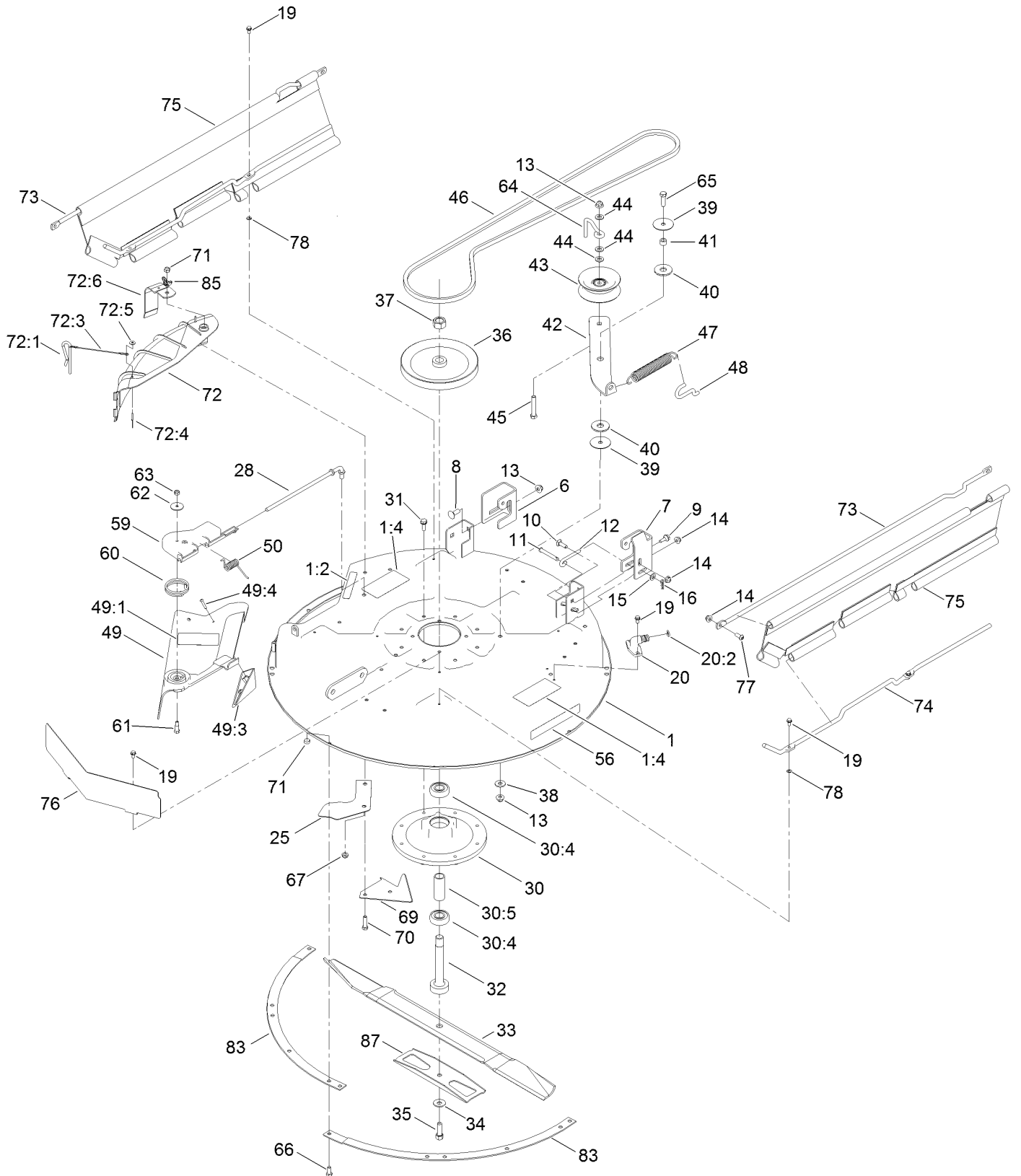
Battery and Electrical Assembly



Battery and Electrical Assembly (continued)

<i>Ref.</i>	<i>Part Number</i>	<i>Qty.</i>	<i>Description</i>	<i>Ref.</i>	<i>Part Number</i>	<i>Qty.</i>	<i>Description</i>
1	136-7482	1	Harness-Wire	11	137-3041	1	Screw-HH
1:1:1	109103	1	Fuse-Blade, 30 Amp	12	137-3053	1	Bolt-CARR
1:1:2	109102	1	Fuse-Blade, 25 Amp	13	139-2575	1	Nut-HF
2	105-1692	1	Battery	14	32103-22	1	Nut-Wing
3	117-1197	1	Solenoid	15	104-2466	1	Holddown-Battery
4	137-4100	1	Switch-Ignition	16	139-2580	2	Nut-HJ
5	63-8360	1	Key-Ignition	17	119-8897	1	Cable-Battery, Red
6	103-5221	1	Switch-PTO	18	121-0711	1	Cable-Battery, Positive
7	110-6765	2	Switch	19	119-8899	1	Cable-Battery, Black
8	100-3524	1	Switch-Seat	25	139-2619	1	Nut-HF
9	32144-4	2	Screw-HWH	26	139-2593	1	Screw-HHF
10	120-9679	2	Washer-Flat				

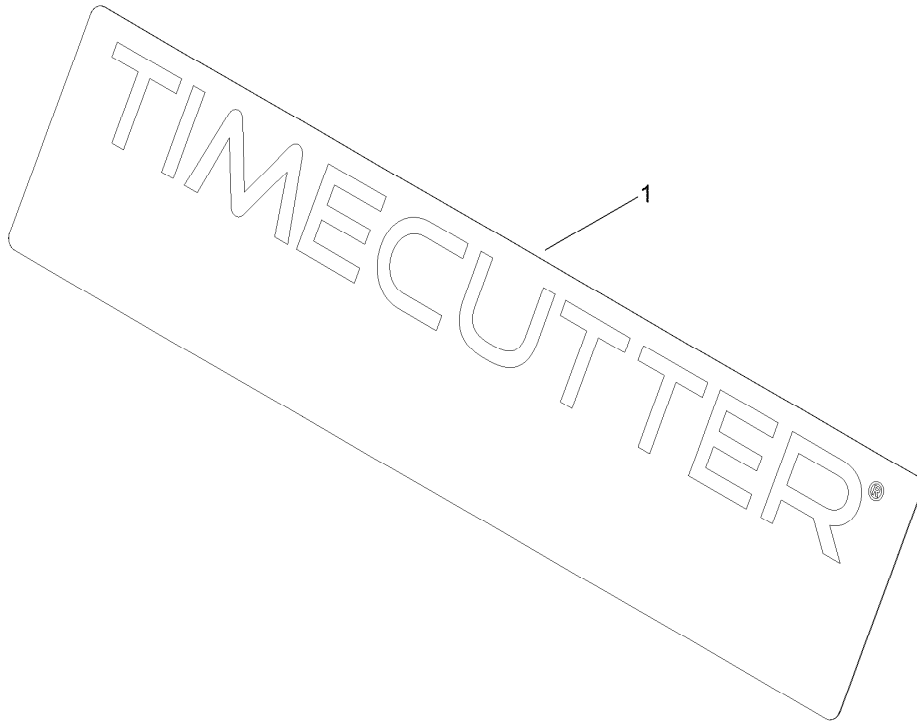
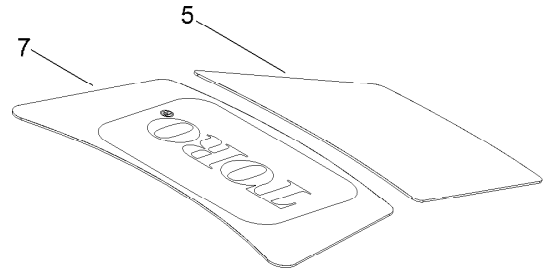
32 Inch Deck Assembly



32 Inch Deck Assembly (continued)

<i>Ref.</i>	<i>Part Number</i>	<i>Qty.</i>	<i>Description</i>	<i>Ref.</i>	<i>Part Number</i>	<i>Qty.</i>	<i>Description</i>
1	131-3602	1	32 Inch Deck And Decal ASM	45	139-2589	1	Screw-HH
1:2	93-7009	1	Decal-Danger	46	139-2407	1	V-Belt
1:4	132-0872	2	Decal-Danger, Deck	47	138-7265	1	Spring-Extension
6	138-7253	1	Bracket-Hanger, Right Rear	48	138-7267	1	Hook-Spring, Return
7	138-7254	1	Bracket-Hanger, Left Rear	49	120-2298	1	32 Inch Deflector ASM
8	139-2590	2	Screw-CARR	49:1	110-6691	1	Decal-Danger
9	139-1730	1	Screw-Shoulder, HHF	49:3	93-7696	2	Kicker
10	139-2587	1	Screw-CARR	49:4	93-0231	4	Screw-PPH
11	139-2550	1	Pin-Clevis	50	138-7269	1	Spring-Deflector
12	138-7255	1	Rod-Level, Deck	56	119-2368	1	Decal-Recycler
13	119-4042	1	Nut-HF, NI	59	88-4540	1	Pivot-Hinge, Deflector
14	119-4041	7	Nut-HF	60	88-6160	1	Spring-Torsion
15	120-9683	1	Washer-Plain	61	139-2623	1	Bolt-Shoulder
16	137-3083	1	Pin-Hair	62	139-2612	1	Washer-Flat
19	32144-4	8	Screw-HWH	63	137-3088	1	Nut-Hex
20	133-9289	1	Fitting-Washout	64	138-7270	1	Belt-Guide, Idler
20:2	133-9290	1	O-Ring	65	139-2601	1	Screw-HH
25	119-8877-03	1	Ramp-Deflector	66	137-3052	15	Screw-HH
28	138-7257	1	Rod-Pivot	67	121-4600	1	Nut-Hex
30	119-0368	1	Spindle Housing ASM	69	80-2630-03	4	Kicker
30:4	251-297	2	Bearing-Ball	70	120-9696	1	Screw-HH
30:5	83-7020	1	Spacer-Bearing	71	119-4038	16	Nut-Hex
31	32144-41	8	Screw-Taptite	72	82-6151	1	Discharge Cover ASM
32	119-8825	1	Shaft-Spindle	72:1	28-8130	1	Pin-Locking, Chute
33	80-4430-03	1	Blade-Recycler, 31.35 Inch	72:3	28-8070	1	Lanyard
34	3290-465	1	Washer-Belleville	72:4	3290-282	2	Rivet-Blind
35	26-0671	1	Screw-HH	72:5	3256-49	1	Washer-Plain
36	137-7050	1	Pulley-Deck	72:6	83-7010-03	1	Brace
37	139-2579	1	Nut-Hex	73	138-7272	2	Rod-Support, Upper
38	139-2632	1	Washer-Hardened	74	131-3681	2	Rod-Support, Lower
39	139-2558	2	Washer	75	131-3685	2	Guard-Side
40	114-0463	2	Washer-Friction, Composite	76	131-3666-03	1	Shield-Front
41	115-4986	1	Spacer	77	3274-55	4	Screw-HSBH
42	138-7263	1	Plate-Idler, Pivot	78	1-803037	4	Nut-Retaining
43	132-9420	1	Pulley-Idler, Flat	83	80-4490-03	4	Ring-Deck
44	115-1166	3	Washer-Flat	85	145577	1	Nut-Wing
				87	80-4570-03	1	Stiffener

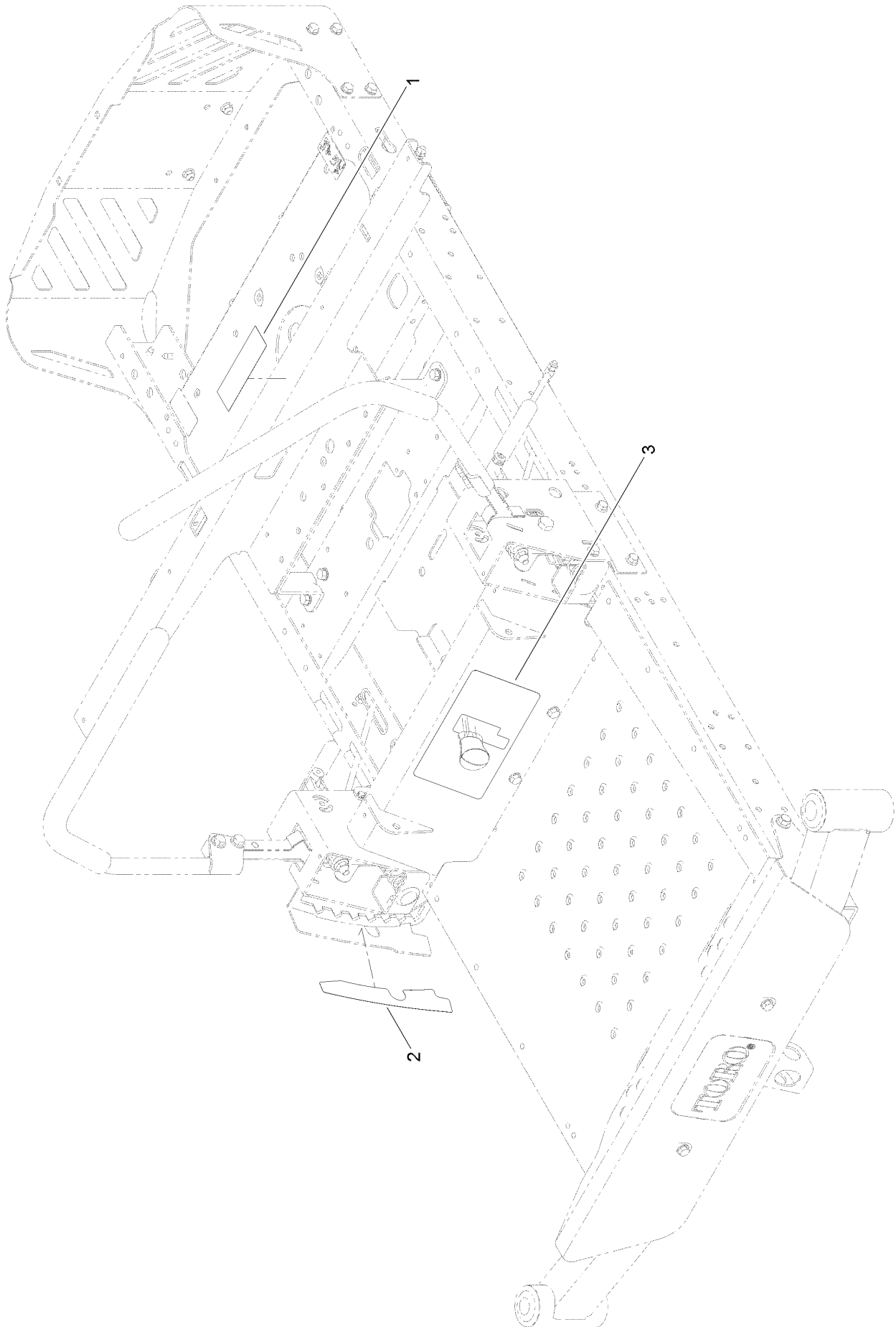
Model Specific Decal Assembly



Model Specific Decal Assembly (continued)

<i>Ref.</i>	<i>Part Number</i>	<i>Qty.</i>	<i>Description</i>
1	121-3032	1	Decal-Timecutter
5	130-0682	1	Decal-Displacement, Engine
7	125-1700	1	Decal-Engine

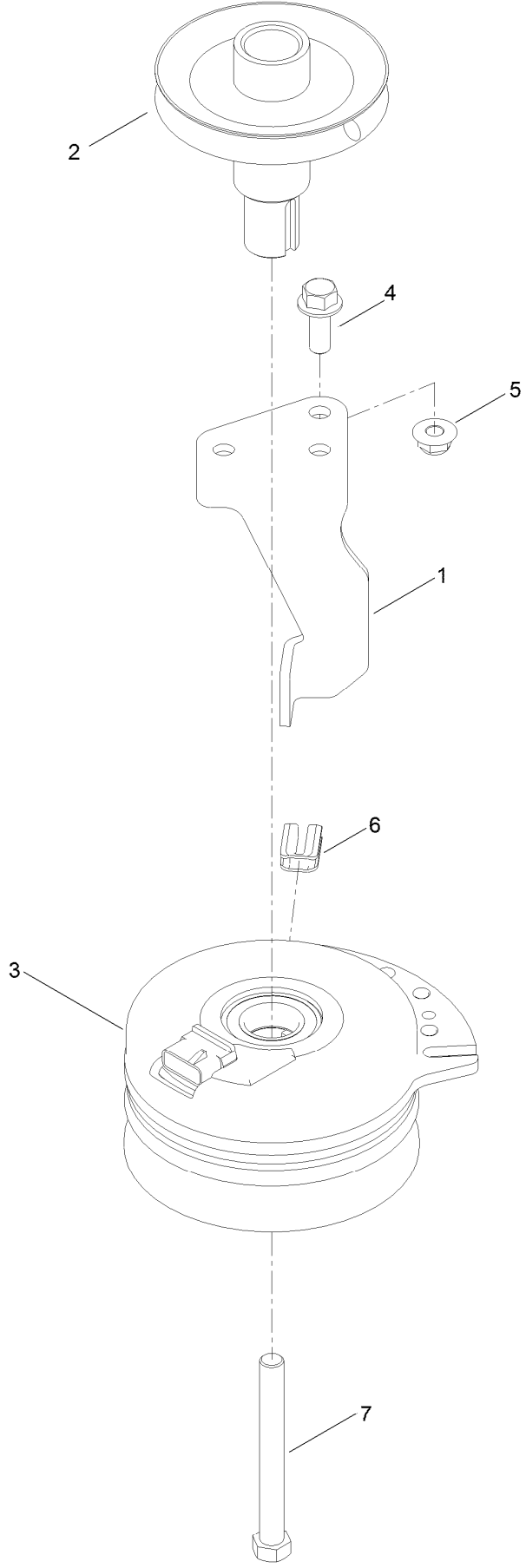
Speed Control, HOC and Service Decal Assembly



Speed Control, HOC and Service Decal Assembly (continued)

<i>Ref.</i>	<i>Part Number</i>	<i>Qty.</i>	<i>Description</i>
1	106-8717	1	Decal-Service, CE
2	120-5469	1	Decal-HOC, CE
3	131-3948	1	Decal-Control, Speed

Clutch Assembly



Clutch Assembly (continued)

<i>Ref.</i>	<i>Part Number</i>	<i>Qty.</i>	<i>Description</i>	<i>Ref.</i>	<i>Part Number</i>	<i>Qty.</i>	<i>Description</i>
1	138-7275	1	Stop-Clutch (Narrow)	5	119-4042	1	Nut-HF, NI
2	138-9792	1	Pulley-Engine	6	120-2217	1	Isolator-Clutch
3	125-0038	1	Clutch-Electric	7	139-2571	1	Screw-HH
4	139-2597	1	Screw-HHF				

Attachments and Accessories

For 74682 TimeCutter ZS 3200S Riding Mower

Product Name	Model/Part
32in Bagger	79414
Foot Assist Deck Lift Kit, 2011 and After Zero-Turn-Radius Riding Mower	79010
Floor Mat Kit	132-6921
Seat With Armrests-18in	119-8830
Sunshade Kit	79011
4-Cycle Fuel, Snow And Lawn 32oz Can	131-3823
Deluxe Seat Kit	131-7699
Heat Shield Kit	137-7065

Notes:



Count on it.