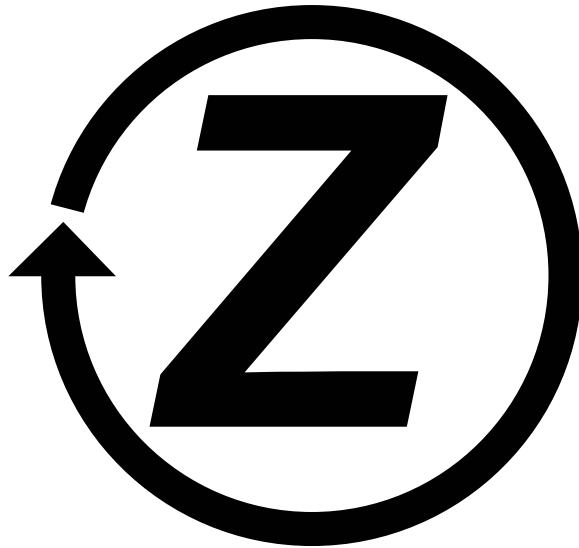


**Parts Catalog**

**Z-SPRAY**

Model No. ZS4630XL—Serial No. 404314159 and Up



# Ordering Replacement Parts

To order replacement parts, please supply the part number, the quantity, and the description of each part desired.

## Understanding Reference Numbers

Each identified part in an illustration has a reference number. The reference number for a part also appears in the parts list, along with other information about the part.

This catalog uses two special reference number formats, one to indicate parts in a service assembly and another to indicate the quantity of a given part in an illustration.

## Service Assembly Reference Numbers

Parts in service assemblies have reference numbers in the form a:b. The a represents the reference number of the entire service assembly and the b represents a sequential number unique to each part within the service assembly.

For example, a wheel assembly might be identified by reference number 6, the tire by 6:1, the valve by 6:2, and the wheel by 6:3. When you order the assembly identified by reference number 6, you receive all parts identified by reference numbers 6:1, 6:2, and 6:3. However, you may also order any part individually. Reference numbers of this type appear in illustration and in parts lists.

## Reference Numbers Indicating Quantity

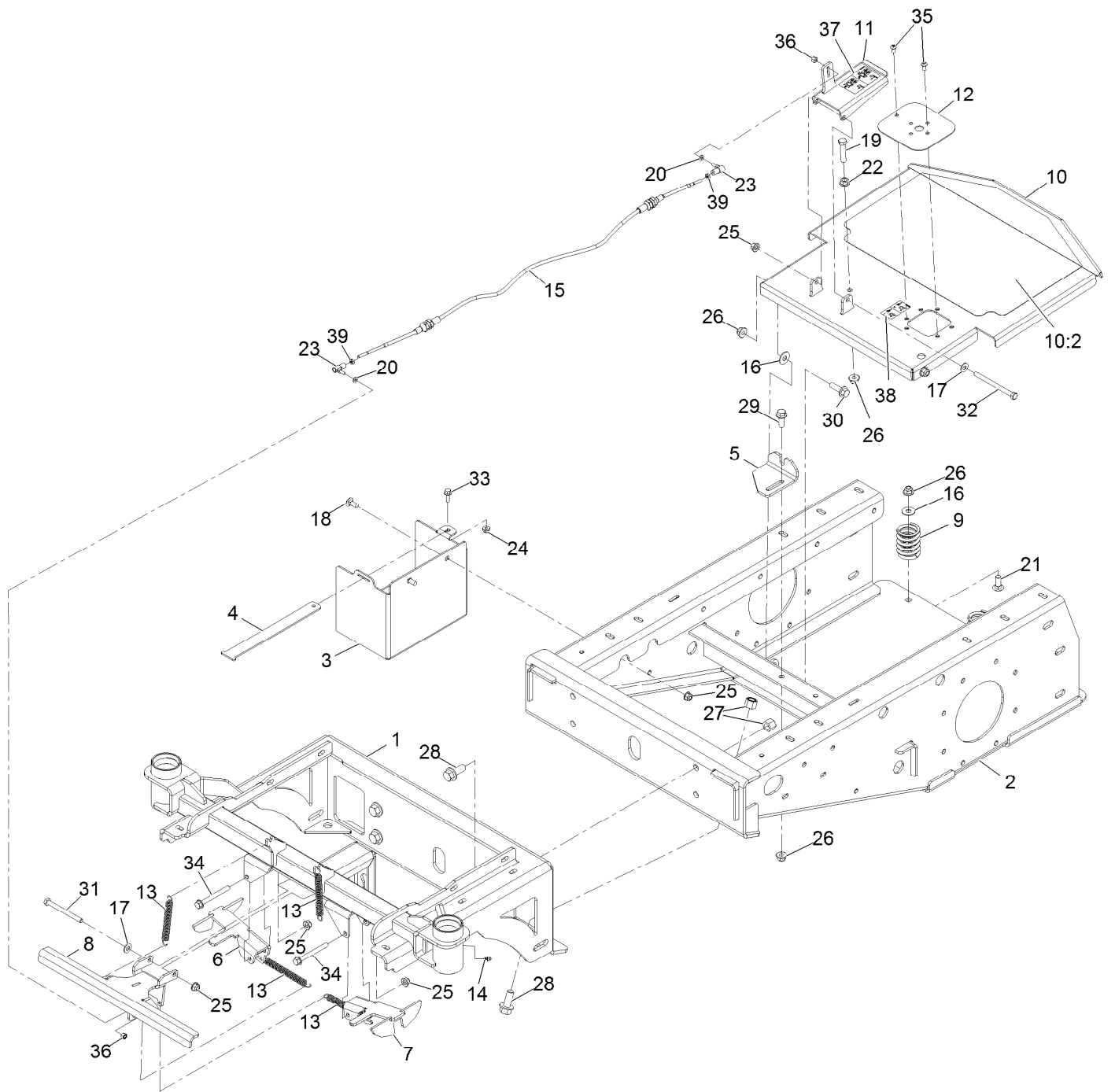
In an illustration, if a reference number indicates more than one part, the reference number has the form nX y. The n represents the quantity of the part, the X is the multiplication symbol, and the y represents the reference number.

For example, in an illustration, the reference number 2X 37 means that two of the parts identified by reference number 37 are indicated.

# Contents

Main Frame Assembly . . . . .	4
Motion Control Assembly . . . . .	6
Park Brake Assembly . . . . .	8
Tire and Wheel Assembly . . . . .	10
Hopper Assembly . . . . .	12
Spray System Assembly . . . . .	14
Hose Reel Tank Assembly . . . . .	16
Manifold Assembly . . . . .	18
Boom Assembly . . . . .	20
Liquid Valve Assembly . . . . .	22
Fuel Assembly . . . . .	24
Engine Assembly . . . . .	26
Hydraulic Assembly . . . . .	28
Electrical Assembly . . . . .	30

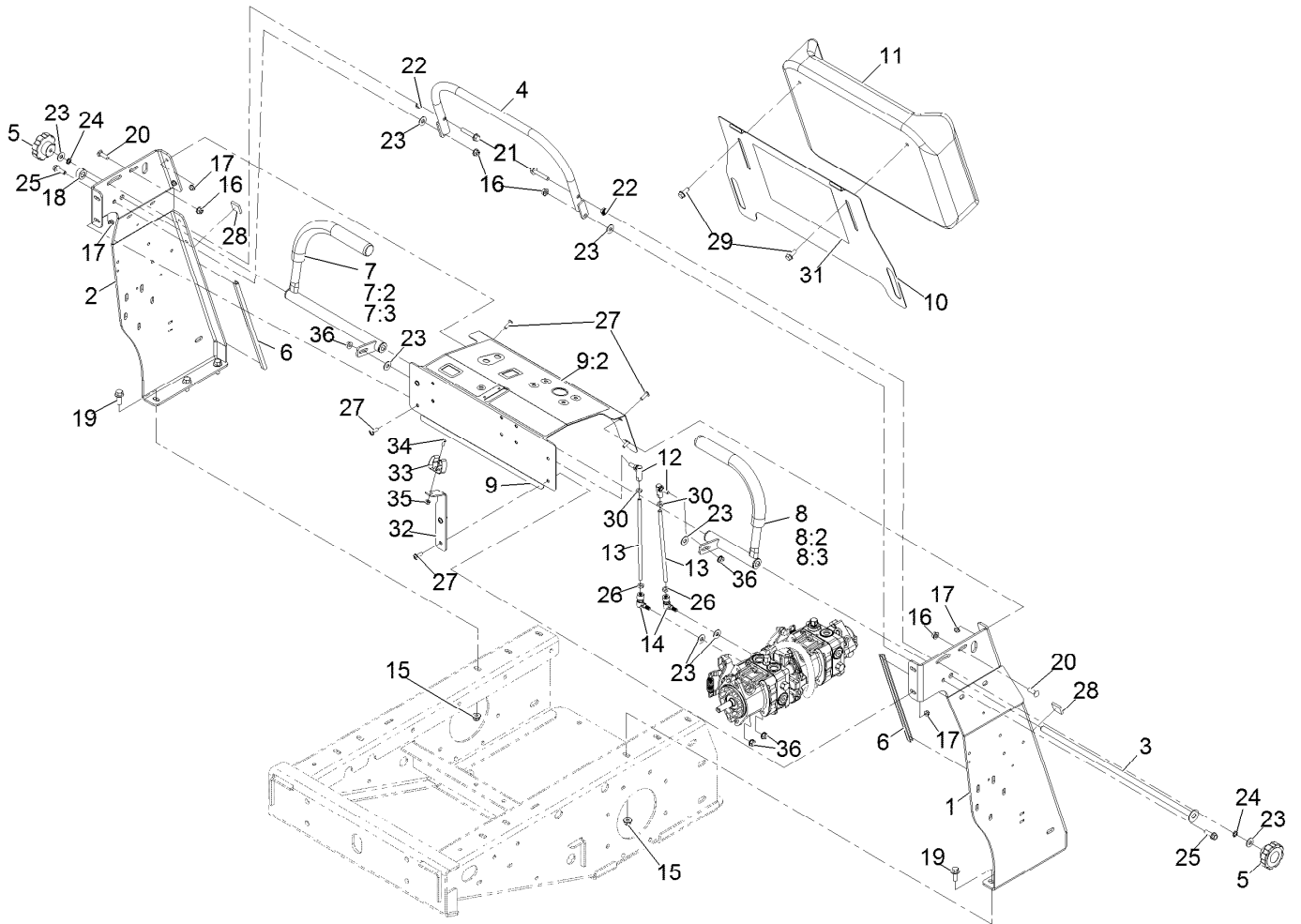
# Main Frame Assembly



## Main Frame Assembly (continued)

<i>Ref.</i>	<i>Part Number</i>	<i>Qty.</i>	<i>Description</i>	<i>Ref.</i>	<i>Part Number</i>	<i>Qty.</i>	<i>Description</i>
1	135-5179	1	Frame-Front	22	135-6806	1	Nut-Hex Flange
2	135-5171	1	Frame-Rear	23	135-5682	2	Ball Joint-SS
3	135-5199	1	Box-Battery	24	135-6108	1	Nut-Hex Flange
4	135-5493	1	Strap-Battery	25	135-6109	6	Nut-Hex Flange
5	135-5494	1	Bracket, Lower Cable	26	135-6110	7	Nut-Hex Flange
6	135-5195	1	Wing-Capture, Rt	27	HDW14426	6	Nut,1/2-13,NYL INS,ST/ST,18-8
7	135-5194	1	Wing-Capture, Lt				
8	135-5369	1	Capture-Lcs	28	135-6207	6	Screw-HHF
9	135-5654	3	Spring-Compression	29	135-6208	1	Screw-HHF
10	135-5656	1	Plate-Foot	30	135-6211	2	Screw-HHF
10:2	135-5655	1	Pad-Grip	31	135-6217	1	Screw-HH
11	135-5191	1	Pedal-Foot	32	135-6218	1	Screw-HH
12	135-5561	1	Panel, Foot Switch	33	135-6221	1	Screw-HHF
13	135-5652	4	Spring-Extension	34	135-6222	2	Screw-HHF
14	302-63	2	Fitting-Grease, Zerk	35	135-6367	2	Screw-HSBH
15	135-5644	1	Cable-Caster, Locking	36	HDW05856	2	Nut,NYL Lock,#10-32,ST/ST 18-8
16	1126	5	Washer-Flat				
17	107-0279	2	Washer	37	135-6430	1	Decal-Lock, Caster
18	126-0695	2	Screw-CARR	38	135-6728	1	Decal-Spray Foot Button
19	126-0710	1	Screw-HH	39	520-0019	2	Nut,Hex Jam Mch Scr,10-32,Sst
20	126-0759	2	Washer-Flat				
21	126-0980	3	Screw-CARR				

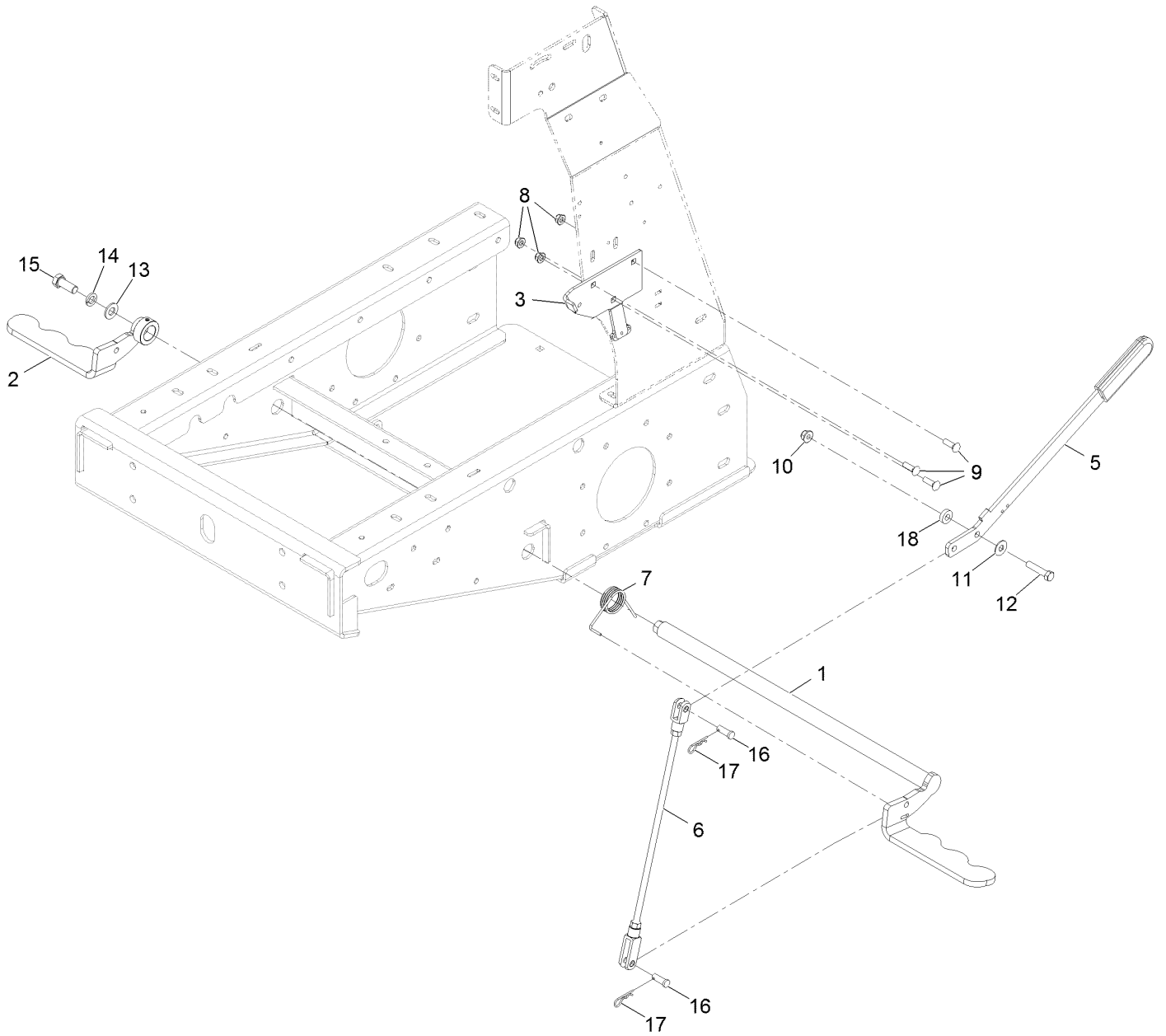
# Motion Control Assembly



## Motion Control Assembly (continued)

<i>Ref.</i>	<i>Part Number</i>	<i>Qty.</i>	<i>Description</i>	<i>Ref.</i>	<i>Part Number</i>	<i>Qty.</i>	<i>Description</i>
1	135-5423	1	Upright-Tower, Lt	18	135-6192	1	Collar
2	135-5425	1	Upright-Tower, Rt	19	135-6208	6	Screw-HHF
3	135-5430	1	Rod-Pivot, Joy Stick	20	HDW17294	2	Bolt, Carriage, 5/16-18X1, ST/ST 18-8
4	135-5427	1	Bar-Speed	21	135-5779	2	Screw-HHF
5	135-5689	2	Knob-Fluted	22	118-1722	2	Nut, Hex Flange, 5/16-18, Sst, Rie2006
6	135-5336	2	Strip-Trim, 12.0"	23	HDW14535	8	Flat Washer, 5/16 Nom, ST/ST, 18-8
7	135-5738	1	Stick-Joy, Rt	24	135-6286	2	Washer-Lock
7:2	1-633257	1	Grip-Control, Motion	25	135-6272	2	Screw-HHF
7:3	135-5694	2	Bushing-Flange	26	107-0282	2	Nut-Hex
8	135-5739	1	Stick-Joy, Lt	27	135-7080	8	Screw-Hsbhf
8:2	1-633257	1	Grip-Control, Motion	28	93-9155	2	Velcro
8:3	135-5694	2	Bushing-Flange	29	126-2712	2	Screw-HHF 5/16-18 X 3/4 SS
9	135-6123	1	Panel-Control	30	135-6512	2	Nut-Hex
9:2	135-6223	1	Decal-Control Panel	31	135-6281	1	Decal-Spray Chart
10	135-5498	1	Plate, Knee Pad	32	135-5506	1	Mount-Gun
11	135-5334	1	Pad-Knee, Z-Spray/Z-Plug	33	135-5661	1	Holder-Tool, Clip
12	135-5257	2	Balljoint-SS	34	135-6374	1	Screw-HSBH
13	135-5681	2	Rod-Control, Motion	35	135-6342	1	Nut-Hex Flange
14	135-5718	2	Ball Joint-Quick Disconnect, SS	36	107-0380	4	Nut-HHF
15	135-6110	6	Nut-Hex Flange				
16	135-6109	4	Nut-Hex Flange				
17	135-6108	8	Nut-Hex Flange				

# Park Brake Assembly

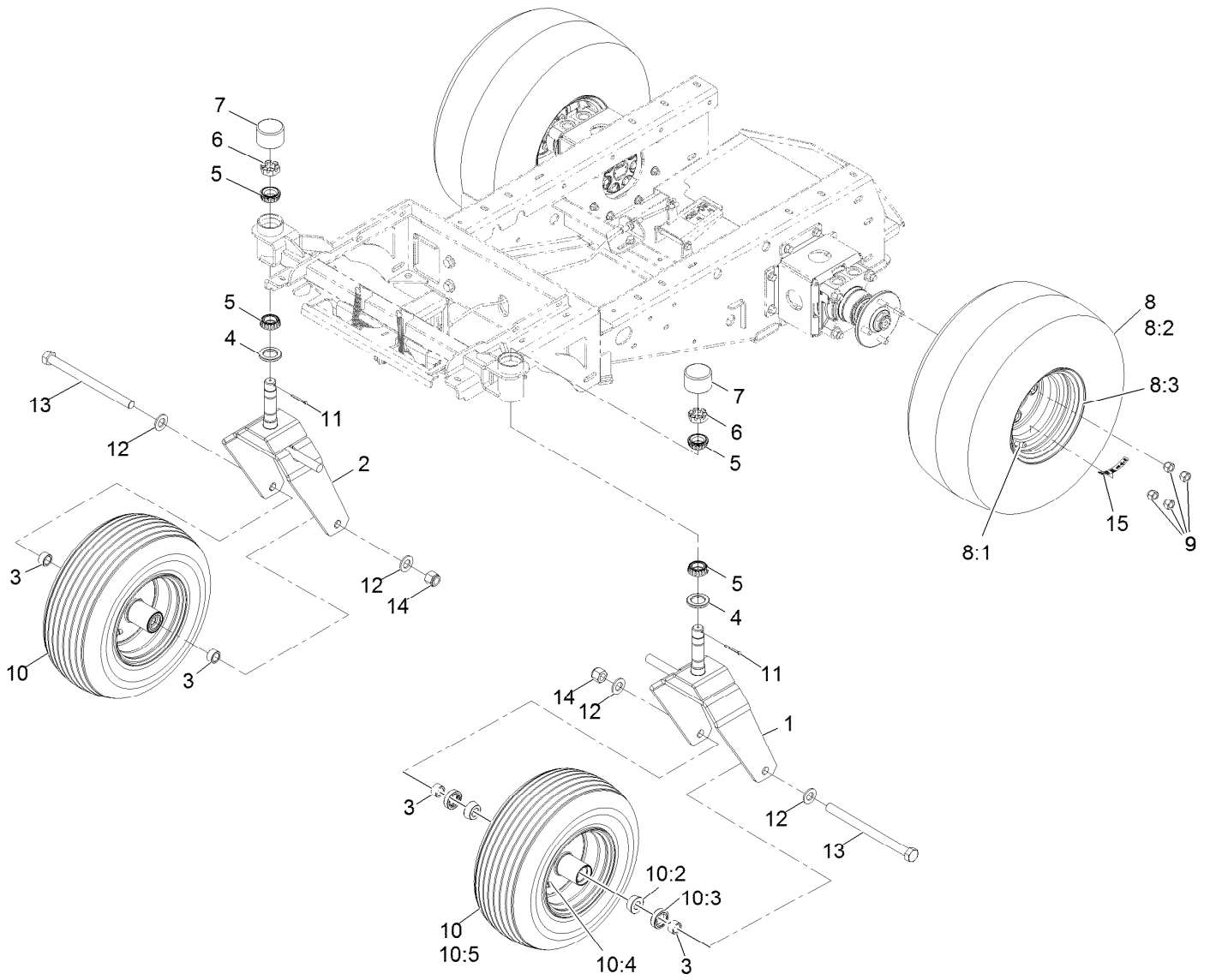




## Park Brake Assembly (continued)

<i>Ref.</i>	<i>Part Number</i>	<i>Qty.</i>	<i>Description</i>	<i>Ref.</i>	<i>Part Number</i>	<i>Qty.</i>	<i>Description</i>
1	135-5526-03	1	Arm-Brake, Lt [black]	11	1126	1	Washer-Flat
2	135-5529-03	1	Arm-Brake, Rt [black]	12	323-52	1	Screw-HH
3	135-7225	1	Bracket-Handle, Brake	13	3256-26	1	Washer-Flat
5	135-6058	1	Handle-Brake	14	3253-7	1	Washer-Lock
6	135-6066	1	ASM, Rod-Brake	15	106-0378	1	Screw ( .50-20Unfx1.25 Grade 8]
7	135-6106	1	Spring-Torsion	16	1-808284	2	Pin-Clevis
8	135-6109	3	Nut-Hex Flange	17	135-6284	2	Pin-Hair
9	HDW17294	3	Bolt, Carriage, 5/16-18X1, ST/ST 18-8	18	5-0652	1	Spacer
10	104-8301	1	Nut-HF, NI				

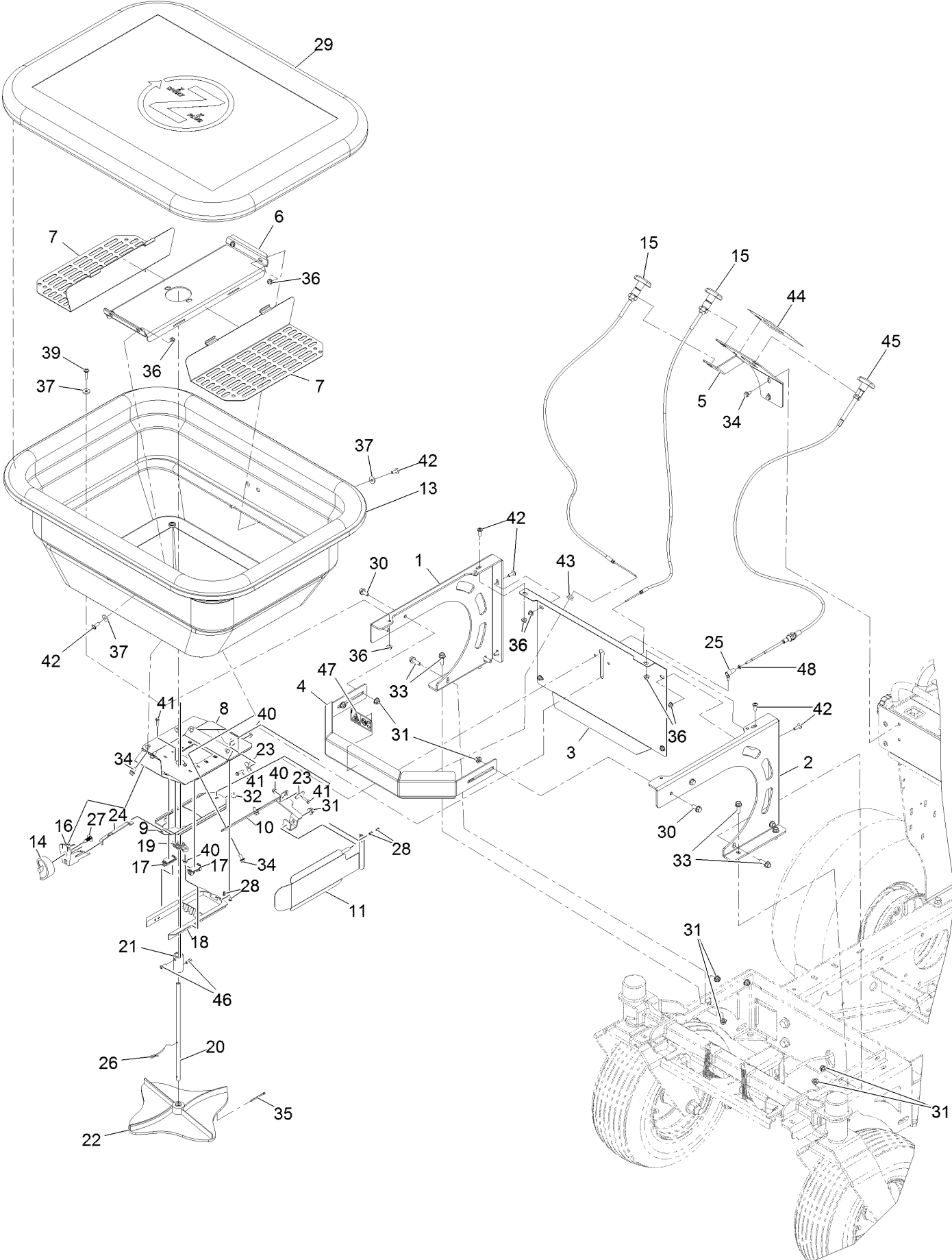
# Tire and Wheel Assembly



## Tire and Wheel Assembly (continued)

<i>Ref.</i>	<i>Part Number</i>	<i>Qty.</i>	<i>Description</i>	<i>Ref.</i>	<i>Part Number</i>	<i>Qty.</i>	<i>Description</i>
1	135-5441-03	1	Caster-Lt [black]	10	135-5974	2	Wheel And Tire
2	135-5446-03	1	Caster-Rt [black]	10:2	1-633585	2	Bearing-Cone, Taper
3	135-5683	4	Spacer-Axle	10:3	103-0063	2	Seal-Caster
4	1-543511	2	Seal-Grease	10:4	5108	1	Valve
5	254-92	4	Cone-Bearing, Outer	10:5	135-5976	1	Tire-Rib
6	1-809082	2	Nut-SHH	11	135-6292	2	Pin-Cotter
7	135-5756	2	Cap-Dust, Rubber	12	3256-28	4	Washer-Flat
8	135-5968	2	Wheel And Tire ASM	13	135-6300	2	Screw-HH
8:1	135-5969	1	Rim-8 X 7, Black	14	3296-51	2	Nut-Lock, NI
8:2	120-6466	1	Tire	15	126-2055	2	Decal-Torque, Wheel Hub Lug
8:3	232-27	1	Stem-Valve				
9	242-50	8	Nut-Lug				

# Hopper Assembly



## Hopper Assembly (continued)

<i>Ref.</i>	<i>Part Number</i>	<i>Qty.</i>	<i>Description</i>	<i>Ref.</i>	<i>Part Number</i>	<i>Qty.</i>	<i>Description</i>
1	135-5391	1	Side-Hopper, Rt	27	126-0986	1	Clip
2	135-5393	1	Side-Hopper, Lt	28	135-5961	2	Retainer-Cable, Wire
3	135-5571	1	Backshield-Hopper	29	135-6145	1	Cover-Hopper, Large
4	135-5567	1	Bumper-Front, Hopper	30	126-2712	4	Screw-HHF 5/16-18 X 3/4 SS
5	135-5505	1	Mount-Speedometer	31	135-6109	13	Nut-Hex Flange
6	135-5542	1	Pan-Hopper, 220	32	HDW05856	1	Nut,NYL Lock,#10-32,ST/ST 18-8
7	135-5544	2	Screen-Hopper, 220	33	135-6272	8	Screw-HHF
8	135-5572	1	Plate-Base, Hopper	34	135-6280	10	Screw-HHF
9	135-5573	1	Slide-Door, Hopper	35	135-6340	1	Pin-Cotter
10	135-5388	1	Mount-Deflector, Side	36	135-6108	14	Nut-Hex Flange
11	135-5589	1	Deflector-Side, Spreader	37	135-6341	8	Washer
13	135-5985	1	Hopper-220Lb	39	135-7081	4	Screw-Hsbhf
14	126-0988	1	Dial	40	135-6342	4	Nut-Hex Flange
15	135-5931	2	Cable-Push/Pull	41	135-6356	4	Screw-HH
16	126-0985	1	Mount-Dial	42	135-7080	10	Screw-Hsbhf
17	126-0990	4	Guide-Rate, Gate	43	135-5988	1	Grommet-Rubber
18	126-0991	1	Diffuser	44	135-6279	1	Decal-Hopper Control
19	135-5943	1	Bearing-Flange	45	135-5935	1	Cable-Push/Pull
20	135-5936	1	Shaft-Hopper, 220	46	3241-7	2	Screw-SQH
21	135-5937	1	Coupler-SS	47	135-6725	1	Decal-Dismemberment Hazard
22	135-5954	1	Spinner-Spreader	48	520-0019	1	Nut,Hex Jam Mch Scr,10-32,Sst
23	135-5569	2	Retainer, Cable				
24	135-5965	1	Linkage-Gate, Rate				
25	135-5682	1	Ball Joint-SS				
26	135-5957	1	Wire-Agitator				

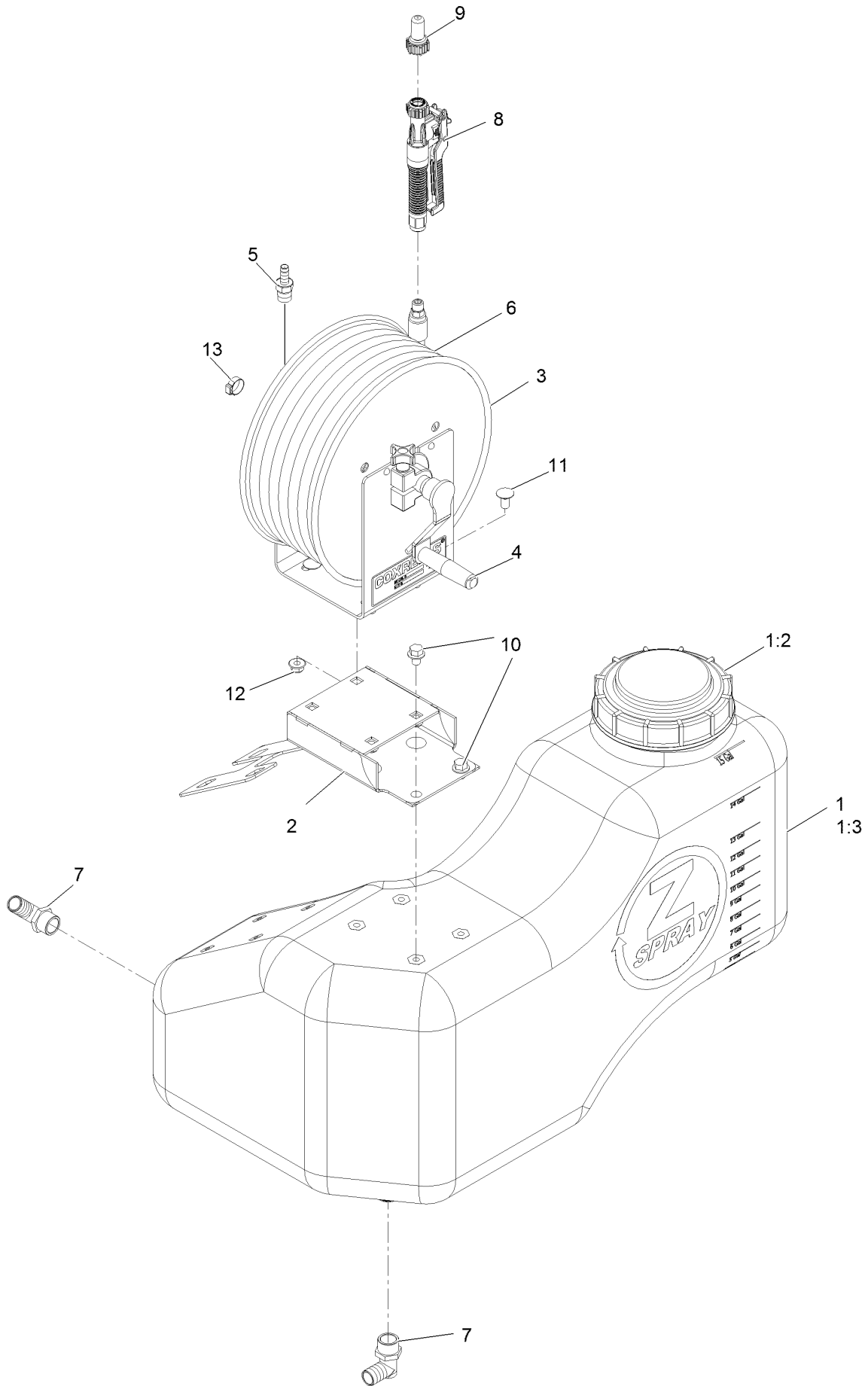


## Spray System Assembly (continued)

<i>Ref.</i>	<i>Part Number</i>	<i>Qty.</i>	<i>Description</i>	<i>Ref.</i>	<i>Part Number</i>	<i>Qty.</i>	<i>Description</i>
1	135-5507	1	Mount-Tank, LH Wing	24	135-5326	1	Hose-Spray
2	135-5508	1	Mount-Tank, RH Wing	25	135-5327	1	Hose-Spray, Wrapped
3	135-5466	1	Mount-Box, Lt Fert	27	135-5890	12	Clamp-Oetiker, 167
4	135-5468	1	Mount-Box, Rt Fert	28	135-5757	2	Clamp-Oetiker, 167
5	135-5470	1	Box-Fert, Lt	29	2412-129	2	Clamp-Hose
6	135-5473	1	Box-Fert, Rt	30	135-5692	6	Clamp-Oetiker, 167
7		1	ASM-Tank, Hose Reel ●	34	135-6481	1	Hose-Spray, Wrapped
8		1	ASM-Tank, Rt ●	35	135-6480	1	Hose-Spray, Wrapped
8:1	135-5995	1	ASM-Tank, Rt	39	135-5270	1	Hose-Spray, Wrapped
8:1:2	135-5916	1	Cap-Tank, Spray	40	135-5268	1	Hose-Spray, Wrapped
8:1:3	126-4393	2	Fitting-Bulkhead	41	135-5269	1	Hose-Spray, Wrapped
8:2	135-5772	2	Fitting-Elbow, 90	42	126-0980	12	Screw-CARR
8:3	135-5545	1	Platform, Liquid Valve Mount	43	135-6110	22	Nut-Hex Flange
8:4	135-7096	4	Screw-HHF	44	135-6274	8	Screw-HHF
9	135-5479	1	Bracket-Anti-Tip, Rt	45	135-6208	10	Screw-HHF
10	135-5477	1	Bracket-Anti-Tip, Lt	46	HDW14426	6	Nut, 1/2-13,NYL
12	135-5570	1	Bracket-Manifold				INS,ST/ST,18-8
13		1	ASM-Manifold ●	47	135-6207	6	Screw-HHF
14		1	ASM, Boom ●	48	135-6272	2	Screw-HHF
15		1	ASM, Liquid Valve ●	49	135-6221	7	Screw-HHF
17	132-7706	1	Elbow-90DEG	50	135-6108	4	Nut-Hex Flange
18	135-5765	1	Strainer-Inline	54	32180-030	2	Clip-Tie
18:1	126-7195	1	Bowl-Strainer	56	3290-378	14	Tie-Cable
18:2	126-2272	1	Gasket-Head, Line Strainer	59	135-6424	1	Decal-Cap, Strainer
18:3	135-5766	1	Screen-Strainer, 50 Mesh	60	135-6285	1	Decal-Valve, Boom
19	41257	1	Hosebarb	62	135-6484	2	Guard-Mesh
21	135-6162	1	Hose-Spray	63	135-6109	2	Nut-Hex Flange
22	135-6163	2	Hose-Spray	64	3290-379	3	Tie-Cable
23	135-5324	1	Hose-Spray				

● Not serviced separately

# Hose Reel Tank Assembly

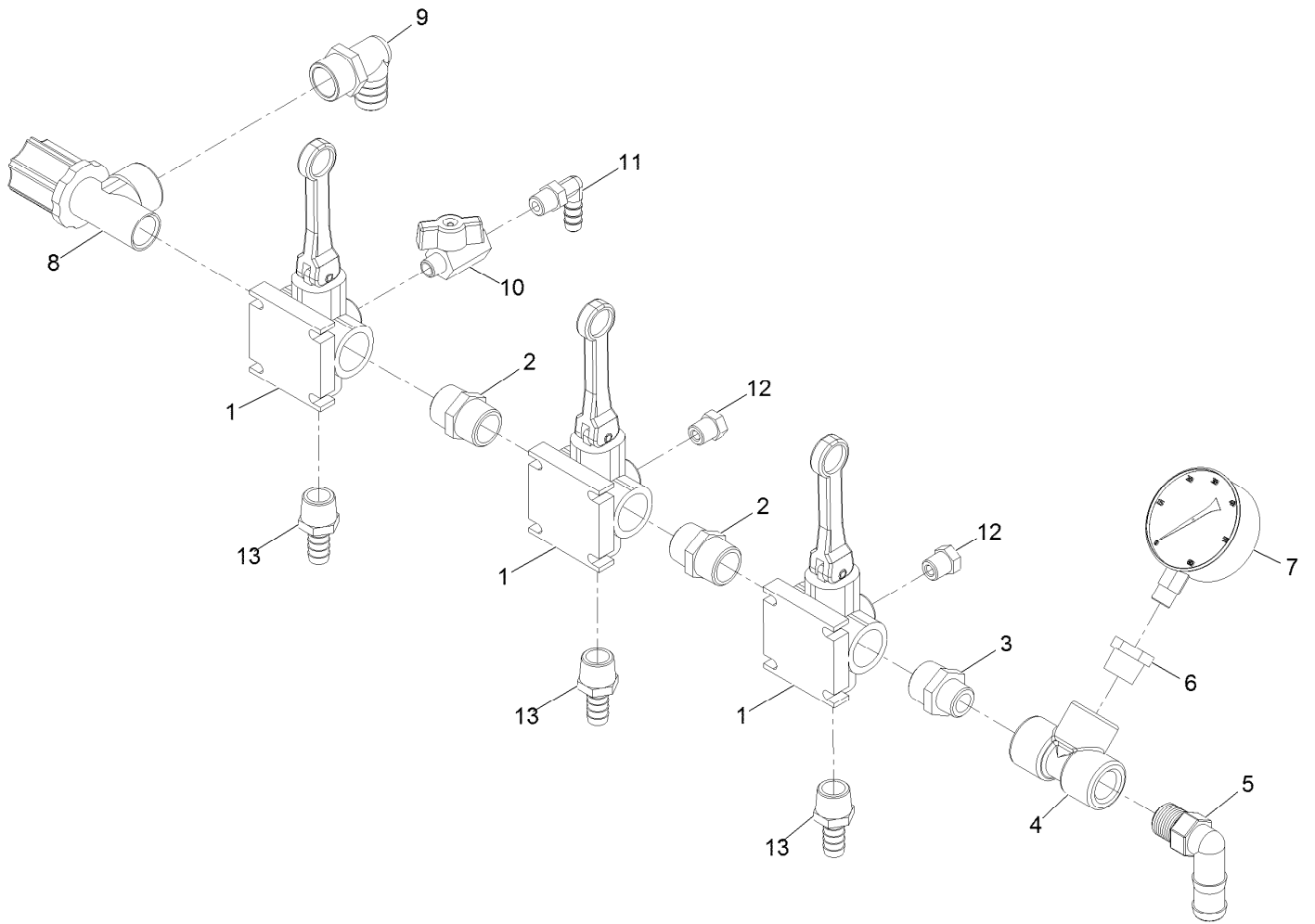




## Hose Reel Tank Assembly (continued)

<i>Ref.</i>	<i>Part Number</i>	<i>Qty.</i>	<i>Description</i>	<i>Ref.</i>	<i>Part Number</i>	<i>Qty.</i>	<i>Description</i>
1	135-5993	1	ASM-Tank, Lt	7	135-5772	2	Fitting-Elbow, 90
1:2	135-5916	1	Cap-Tank, Spray	8	135-5773	1	Gun-Spray, Spot
1:3	126-4393	2	Fitting-Bulkhead	9	135-5778	1	Tip-Spray, #12 Spot
2	135-5521	1	Mount-Reel, Hose	10	135-7096	2	Screw-HHF
3	135-5787	1	Reel-Hose	11	135-6271	4	Screw-Carriage
4	135-6011	1	Crank-Reel	12	135-6110	4	Nut-Hex Flange
5	1-513200	2	Fitting, Male	13	135-5757	1	Clamp-Oetiker, 167
6	135-5794	1	Hose-Spray, 75'				

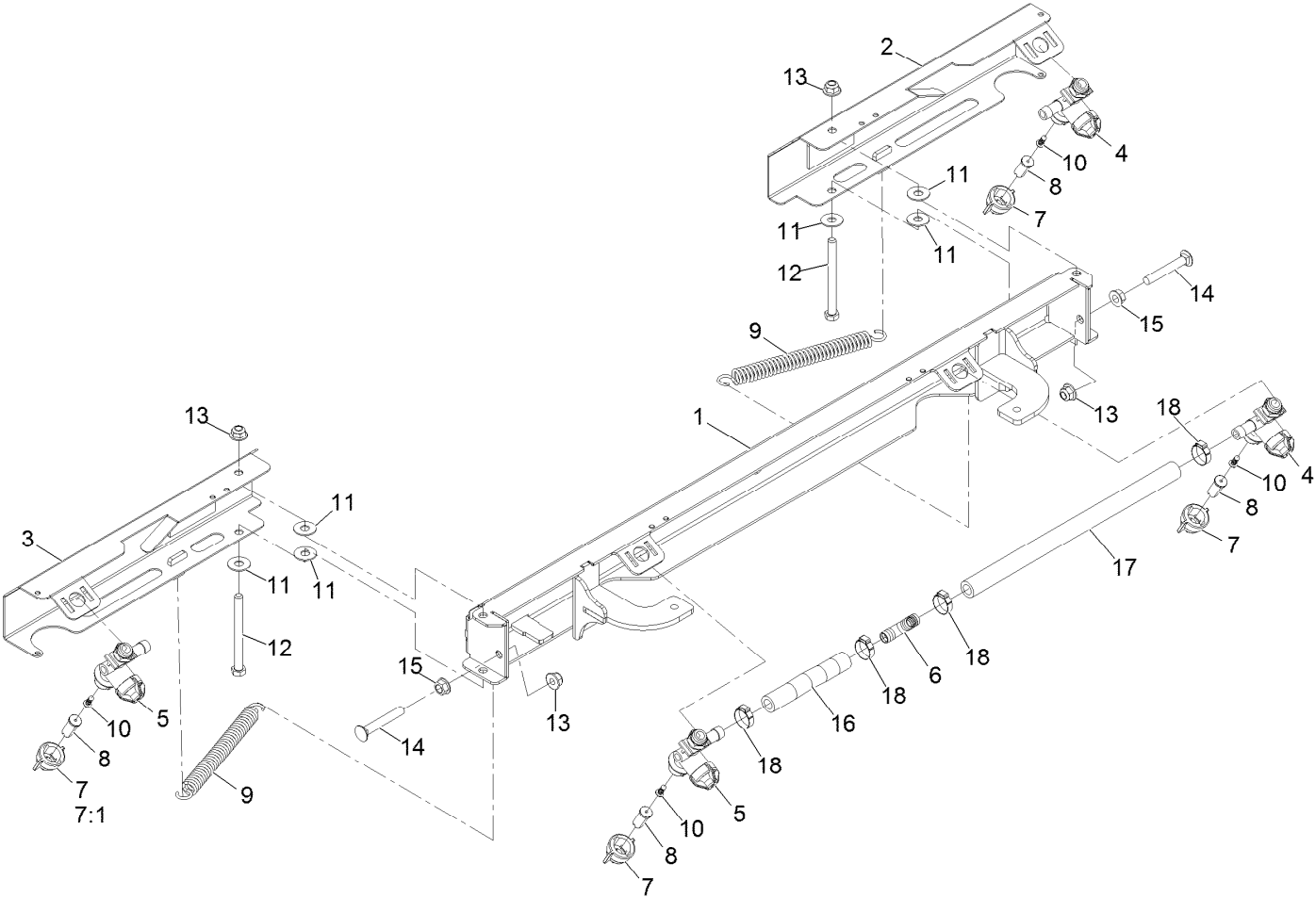
# Manifold Assembly



## Manifold Assembly (continued)

<i>Ref.</i>	<i>Part Number</i>	<i>Qty.</i>	<i>Description</i>	<i>Ref.</i>	<i>Part Number</i>	<i>Qty.</i>	<i>Description</i>
1	135-5721	3	Valve-Directo	8	135-5736	1	Valve-Throttle
2	135-5741	2	Fitting-Nipple	9	135-5772	1	Fitting-Elbow, 90
3	135-5742	1	Fitting-Nipple	10	135-5737	1	Valve-Chrome, 1/4
4	94-7100	1	Tee	11	135-5745	1	Fitting-Elbow, 90
5	92-8557	1	Elbow-90	12	135-5735	2	Plug-Valve
6	135-5743	1	Fitting-Reducer	13	120-8671	3	Fitting-Hosebarb
7	135-5740	1	Gauge				

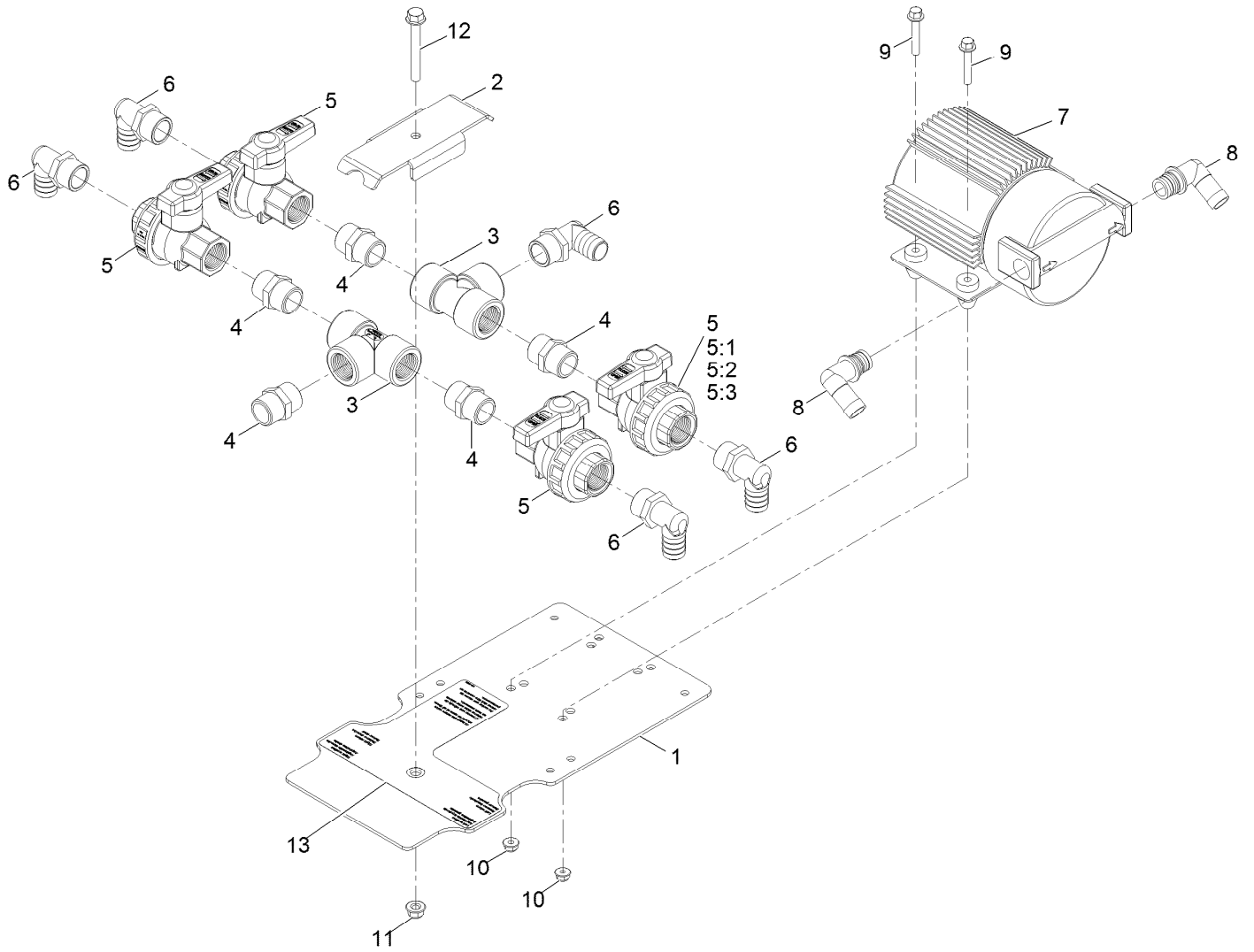
# Boom Assembly



## Boom Assembly (continued)

<i>Ref.</i>	<i>Part Number</i>	<i>Qty.</i>	<i>Description</i>	<i>Ref.</i>	<i>Part Number</i>	<i>Qty.</i>	<i>Description</i>
1	135-5480	1	Boom-Center	10	126-3943	4	Strainer-Nozzle, 50M 5PSI Check
2	135-5519	1	Boom-Wing, Rt	11	1126	6	Washer-Flat
3	135-5516	1	Boom-Wing, Lt	12	135-6310	2	Screw-HH
4	135-5790	2	Body-Nozzle, Right	13	135-6110	4	Nut-Hex Flange
5	135-5788	2	Body-Nozzle, Left	14	126-0702	2	Screw-CARR
6	138-2751	1	Fitting-Tee, Barb	15	135-6806	2	Nut-Hex Flange
7	135-5781	4	Cap-Nozzle	16	135-6298	1	Hose-Spray
7:1	40998	1	Seat-Gasket	17	135-7129	1	Hose-Spray
8	135-5791	4	Tip-Spray	18	135-5692	4	Clamp-Oetiker, 167
9	135-5780	2	Spring-Extension				

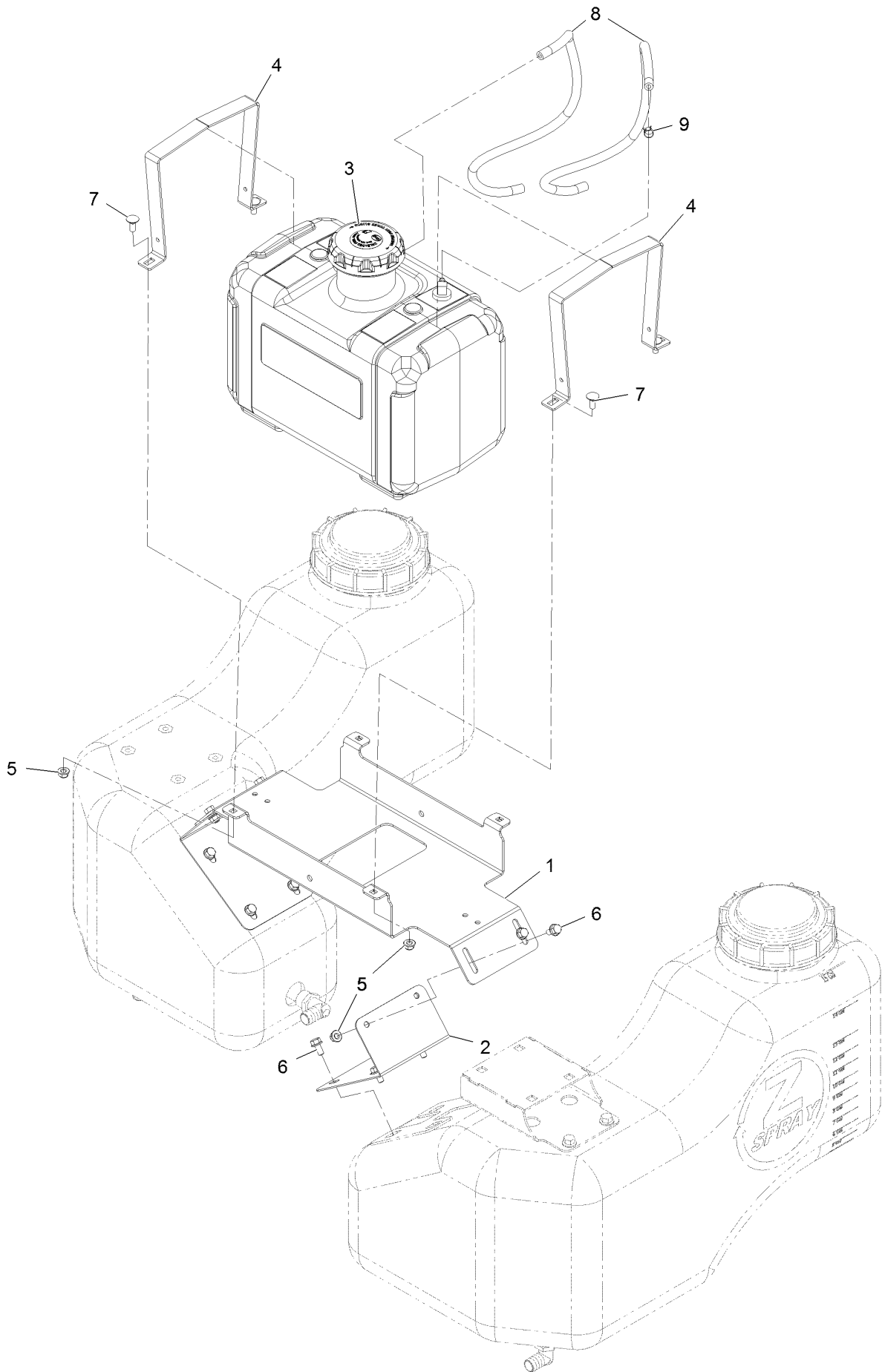
# Liquid Valve Assembly



## Liquid Valve Assembly (continued)

<i>Ref.</i>	<i>Part Number</i>	<i>Qty.</i>	<i>Description</i>	<i>Ref.</i>	<i>Part Number</i>	<i>Qty.</i>	<i>Description</i>
1	135-5491	1	Mount-Plate, Liquid Valve	6	135-5772	5	Fitting-Elbow, 90
2	135-5504	1	Plate-Clamp, Liquid Valve Fittings	7	135-6001	1	Pump-7.0 GPM
3	135-6004	2	Fitting-Tee	8	135-6003	2	Fitting-Elbow, 3/4Qd X 3/4Barb
4	135-5741	5	Fitting-Nipple	9	135-6320	4	Screw-HHF
5	135-6002	4	Valve-Union, 3/4	10	135-6108	4	Nut-Hex Flange
5:1	135-6006	1	O-Ring	11	135-6109	1	Nut-Hex Flange
5:2	135-6007	1	Ring-Valve, Union 3/4	12	135-6323	1	Screw-HHF
5:3	135-6008	1	Adapter-Uv, 3/4	13	135-6420	1	Decal-Valve, Tank

# Fuel Assembly

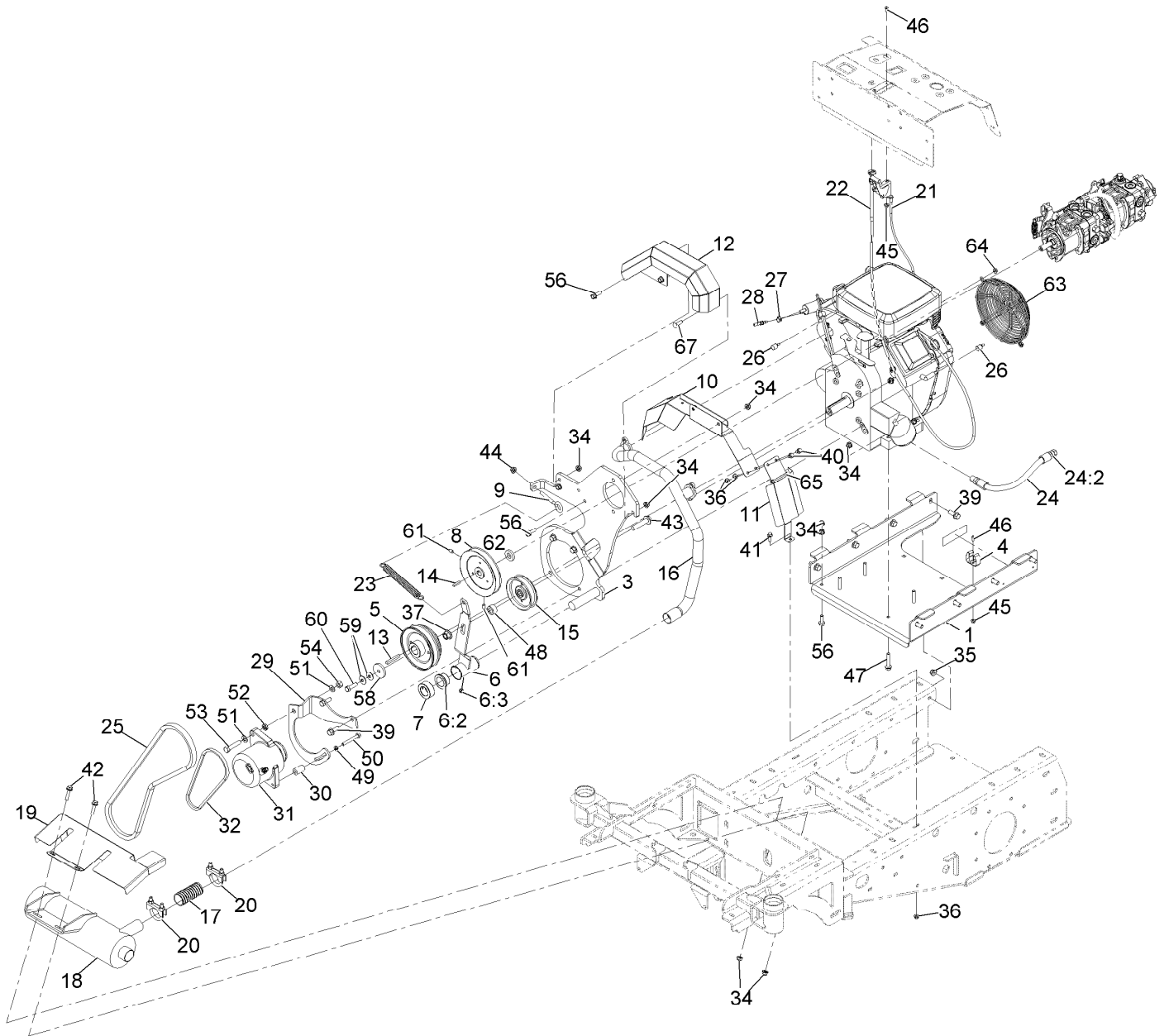




## Fuel Assembly (continued)

<i>Ref.</i>	<i>Part Number</i>	<i>Qty.</i>	<i>Description</i>	<i>Ref.</i>	<i>Part Number</i>	<i>Qty.</i>	<i>Description</i>
1	135-7209	1	Mount, Gas Tank	6	135-7086	12	Screw-HHF
2	135-5560	2	Bracket-Support, Gas Tank	7	126-0695	4	Screw-CARR
3	135-7172	1	ASM-Tank, 5 Gal.	8	109-1395	2	Hose-Fuel Line 27"
4	135-7211	2	Strap, Gas Tank	9	2412-98	1	Clamp-Hose
5	135-6109	8	Nut-Hex Flange				

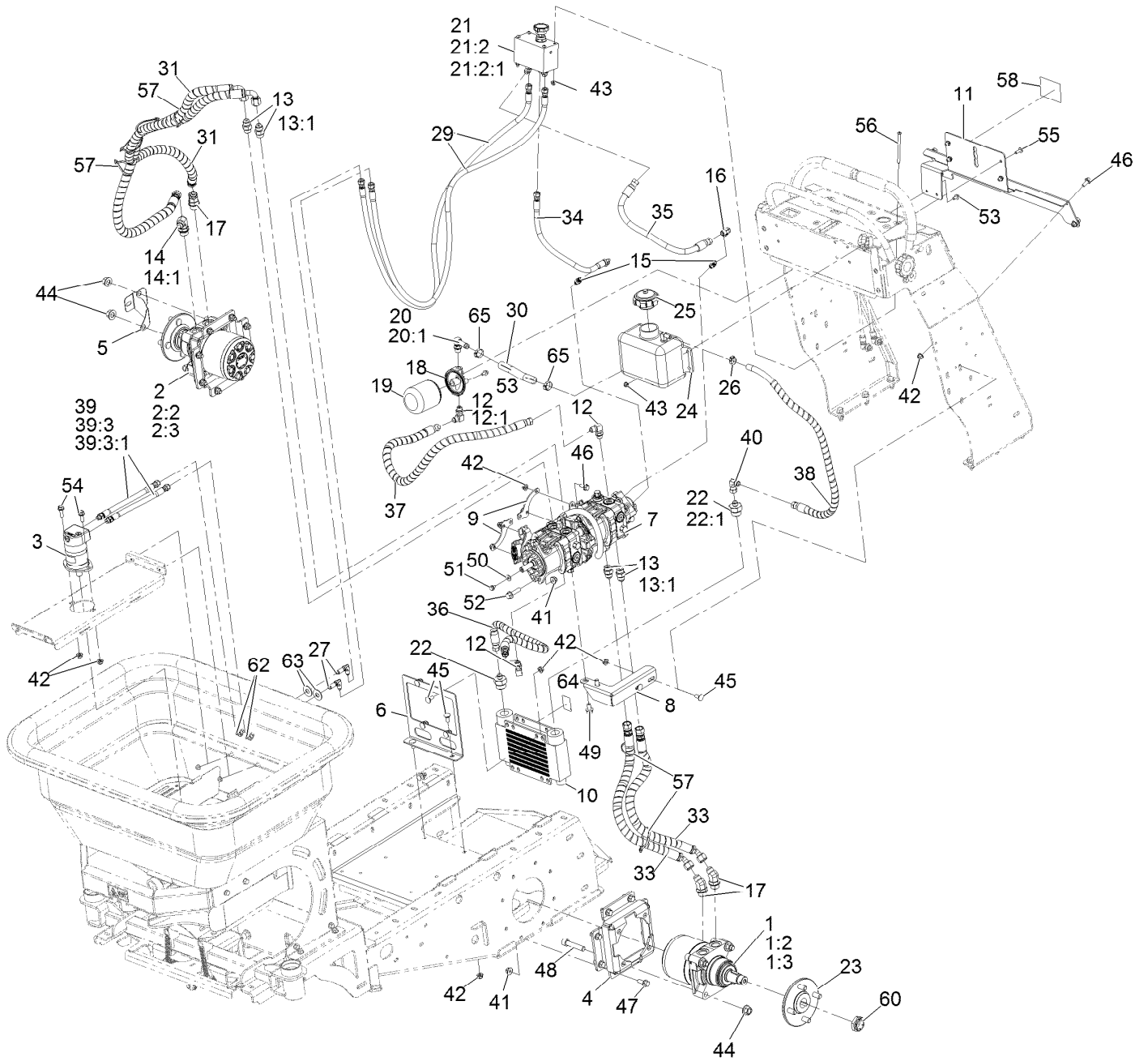
# Engine Assembly



## Engine Assembly (continued)

<i>Ref.</i>	<i>Part Number</i>	<i>Qty.</i>	<i>Description</i>	<i>Ref.</i>	<i>Part Number</i>	<i>Qty.</i>	<i>Description</i>
1	135-5492	1	Tray-Engine	31	135-6057	1	Alternator
3	135-5453-03	1	Bracket-Engine, Pump [black]	32	135-6613	1	Belt-V, 3L240
4	135-5661	1	Holder-Tool, Clip	34	135-6109	13	Nut-Hex Flange
5	135-6394	1	Pulley-Double	35	135-6110	8	Nut-Hex Flange
6	135-5669	1	Arm-Tension, ASM	36	135-6108	3	Nut-Hex Flange
6:2	256-132	2	Bushing-Flange	37	99-5107	1	Nut-Lock
6:3	302-63	1	Fitting-Grease, Zerk	39	135-6208	12	Screw-HHF
7	135-5382	1	Collar	40	135-6280	2	Screw-HHF
8	135-5663	1	Pulley-Drive, Pump	41	135-6221	1	Screw-HHF
9	135-5667	1	Bolt-Eye	42	135-6261	2	Screw-HHF
10	135-5565	1	Guard, Lower Muffler	43	3234-46	1	Screw-HHF
11	135-5566	1	Guard, Lower Muffler	44	104-8300	1	Nut-HF, NI
12	135-5552	1	Guard-Pulley	45	135-6342	3	Nut-Hex Flange
13	103-4177	1	Key	46	135-6374	3	Screw-HSBH
14	1-807272	1	Key	47	135-5779	4	Screw-HHF
15	135-5662	1	Pulley-Idler, Flat	48	116-2959	1	Spacer
16	135-5670	1	Manifold-Exhaust	49	3253-4	1	Washer-Lock
17	135-5658	1	Tube-Exhaust, Flex	50	120-9642	1	Screw-HH
18	135-5685	1	Muffler	51	33095-00	2	Washer-Flat
19	135-5568	1	Shield-Heat, Muffler	52	110-9346	1	Nut-Hex
20	2112-11	2	Clamp-Muffler	53	33115-050	1	Screw-HH
21	135-5260	1	Cable-Throttle	54	33025-00	1	Nut-Lock, NI
22	135-5707	1	Cable-Choke	56	135-6272	5	Screw-HHF
23	135-5780	1	Spring-Extension	58	110-9981	1	Washer-Plain
24	135-5365	1	ASM, Oil Drain Hose W/Plug	59	3290-340	2	Washer-Belleville
24:2	AU218-774	1	Plug	60	3211-5	1	Screw-HH
25	135-5664	1	Belt-V	61	3246-17	2	Setscrew-HSH
26	135-5677	2	Tube-Heat Shrink, 1/2	62	1-323539	1	Spacer
27	2412-98	1	Clamp-Hose	63	135-6554	1	Guard-Wire, Vanguard
28	135-5678	1	Barb-Fuel	64	33003-00	4	Nut-HF
29	135-5929	1	Bracket-Alternator	65	3290-378	1	Tie-Cable
30	135-5930	1	Tube-Support, Alternator	67	HDW17294	1	Bolt, Carriage, 5/16-18X1, ST/ST 18-8

# Hydraulic Assembly

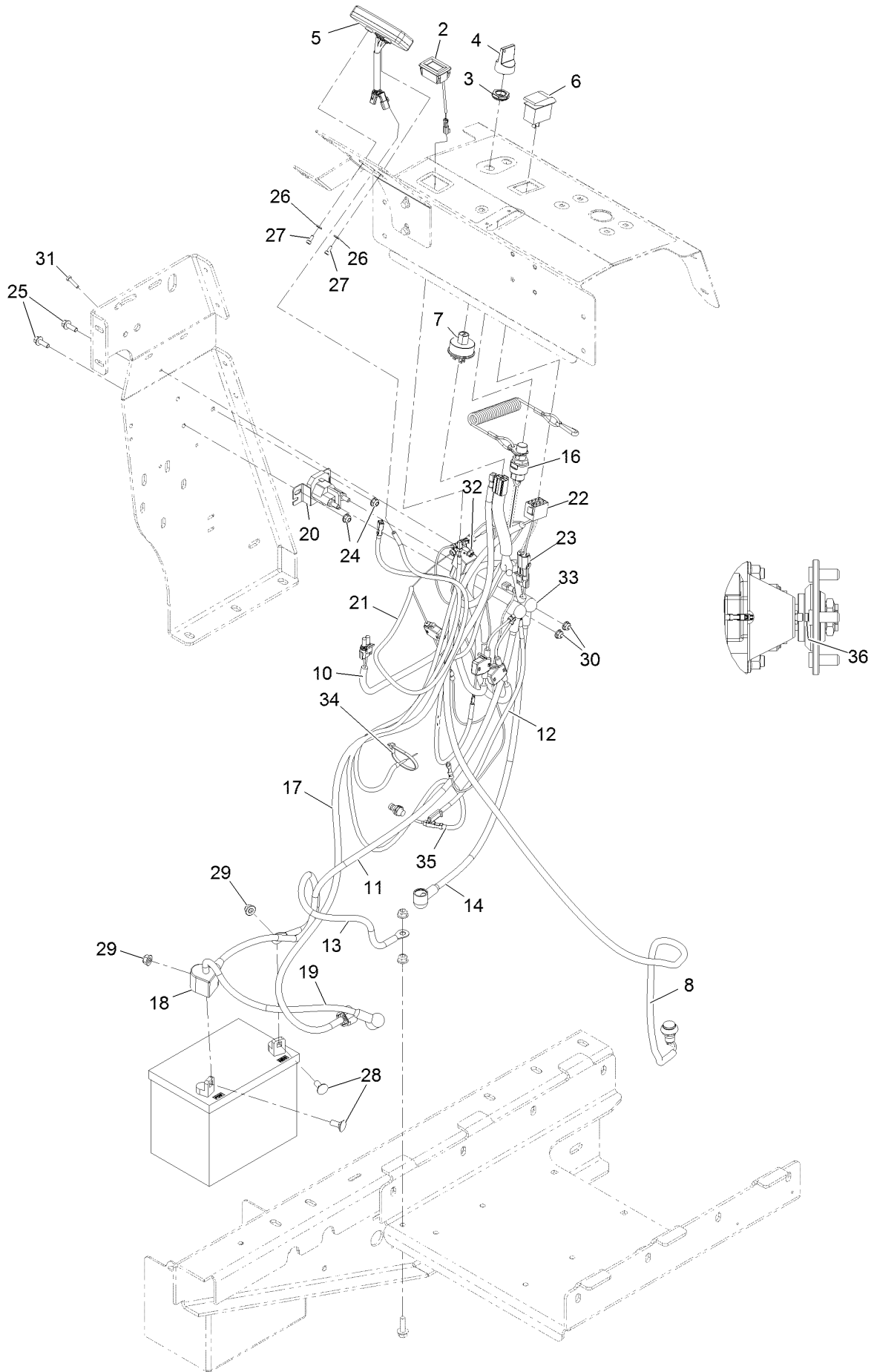


## Hydraulic Assembly (continued)

<i>Ref.</i>	<i>Part Number</i>	<i>Qty.</i>	<i>Description</i>	<i>Ref.</i>	<i>Part Number</i>	<i>Qty.</i>	<i>Description</i>
1	135-5230	1	Motor, LH Wheel	26	135-5757	1	Clamp-Oetiker, 167
1:2	3257-42	1	Key-Woodruff 5/16 X 1	27	135-5796	2	Fitting-Elbow, 90
1:3	103-6994	1	Seal Kit	29	135-5357	2	Hose ASM, HYD HP
2	135-5231	1	Motor, RH Wheel	30	109-5577	1	Hose-Hydraulic
2:2	3257-42	1	Key-Woodruff 5/16 X 1	31	135-5458	2	Hose ASM, HYD HP
2:3	103-6994	1	Seal Kit	33	135-5464	2	Hose ASM, HYD HP
3	135-5243	1	Motor-Hydraulic, Spreader	34	135-5360	1	Hose ASM, HYD HP
4	135-5524	2	Mount-Motor, Wheel	35	135-5361	1	Hose ASM, HYD LP
5	135-5574	1	Bracket-Hopper, Speedometer Sensor	36	135-5384	1	Hose ASM, HYD LP
6	135-6483	1	Mount-Cooler	37	135-5385	1	Hose ASM, HYD LP
7	135-5665	1	Pump-Tandem	38	135-5456	1	Hose ASM, HYD LP
8	135-5551	1	Bracket-Support, Hydro Pump	39	135-5359	2	Hose ASM, HYD HP
9	135-5558	2	Extension, Hydro Pump	39:3		1	Fitting-Straight, Rigid ●
10	135-5679	1	Cooler-Oil	39:3:1	237-42	1	O-Ring
11	135-5550	1	Mount, Hydraulic Tank And Filter	40	AU218-980	1	Fitting-Swivel, 90 DEG
12	103-1802	3	Fitting-Elbow, 90 DEG	41	135-6110	18	Nut-Hex Flange
12:1	237-42	1	O-Ring	42	135-6109	18	Nut-Hex Flange
13	353-388	4	Fitting-Straight	43	135-6108	8	Nut-Hex Flange
13:1	237-79	1	O-Ring	44	99-5107	8	Nut-Lock 1/2-13
14	353-426	1	Fitting-90 DEG	45	126-0695	8	Screw-CARR
14:1	237-80	1	O-Ring	46	126-2712	8	Screw-HHF 5/16-18 X 3/4 SS
15	353-545	2	Fitting-Straight	47	135-6208	16	Screw-HHF
16	135-5680	1	Fitting-90 Swivel	48	3274-71	8	Screw-HSH
17	135-5696	3	Fitting-Elbow, 45 DEG	49	135-6274	2	Screw-HHF
18	104-7836	1	Filter-Head	50	135-6273	1	Washer
19	135-5695	1	Filter-Hydraulic	51	81-1280	1	Screw-HHF
20	109-6449	1	Fitting-Elbow, 90	52	135-6278	2	Screw-HHF
20:1	237-42	1	O-Ring	53	135-6280	2	Screw-HHF
21	135-5256	1	Manifold-Hopper, W/Out Relief	54	135-6272	2	Screw-HHF
21:2	353-212	1	Fitting-Elbow, 45 DEG	55	135-7080	4	Screw-Hsbhf
21:2:1	237-42	1	O-Ring	56	135-6385	4	Screw-HSBH
22	AU218-5044	2	Adapter-Straight	57	3290-378	6	Tie-Cable
22:1	237-81	1	O-Ring	58	135-6398	1	Decal-Oil
23	135-5684	2	Hub-Wheel	60	116-1399	2	Locknut
24	135-5712	1	Tank-Hydraulic, Plastic	62	3220-4	2	Nut-Jam
25	135-5713	1	Cap-Vented	63	135-5586	2	Washer-SS, 1.25 OD, .503 ID
				64	106-5517	1	Decal-Warning
				65	135-5692	2	Clamp-Oetiker, 167

● Not serviced separately

# Electrical Assembly



## Electrical Assembly (continued)

<i>Ref.</i>	<i>Part Number</i>	<i>Qty.</i>	<i>Description</i>	<i>Ref.</i>	<i>Part Number</i>	<i>Qty.</i>	<i>Description</i>
2	135-5259	1	Meter-Tach/Hour	22	32160-008	1	Connector-Carling, 8F
3	135-5715	1	Nut-Switch, Key	23	32160-072	1	Connector-Wp,2M
4	135-5708	1	Key-Umbrella	24	135-6108	2	Nut-Hex Flange
5	135-8900	1	Head Only, Striker	25	135-6221	2	Screw-HHF
6	100-8469	1	Switch-Rocker	26	126-0759	2	Washer-Flat
7	135-6052	1	Switch-Ignition	27	135-6357	2	Screw-HSH
8	135-6054	1	Switch-Push Button	28	126-0695	2	Screw-CARR
10	135-6113	1	Harness, Main	29	135-6109	2	Nut-Hex Flange
11	135-6114	1	Cable-Positive	30	104-7201	2	Nut-Nyloc 1/4-20 Flg
12	135-6115	1	Wire-Solenoid	31	135-6356	1	Screw-HH
13	135-6116	1	Cable-Ground	32	135-6342	1	Nut-Hex Flange
14	135-6117	1	Cable-Positive	33	1-543393	4	Insulator-Solenoid
16	135-6121	1	Switch-Op	34	3290-378	11	Tie-Cable
17	135-6120	1	Harness, Alternator	35	135-8898	1	Cable-Trail Tech, Sensor
18	135-2304	1	Insulator-Battery	36	135-8903	1	Magnet, Speedometer
19	135-6119	1	Cable-Positive	99	135-7317	1	Manual-User, Striker ●
20	135-6189	1	Solenoid-Starter	99	135-7318	1	Card-Striker, Quick Start ●
21	135-6443	1	Harness-Striker				

● Not illustrated

