



Count on it.

Parts Catalog

Universal Groomer Drive Kit

**Greensmaster® Flex™ 1800 and 2100 eFlex®
1800 and 2100 or Greensmaster® 3000 Series
DPA Cutting Units**

Model No. 04648



Ordering Replacement Parts

To order replacement parts, please supply the part number, the quantity, and the description of each part desired.

Understanding Reference Numbers

Each identified part in an illustration has a reference number. The reference number for a part also appears in the parts list, along with other information about the part.

This catalog uses two special reference number formats, one to indicate parts in a service assembly and another to indicate the quantity of a given part in an illustration.

Service Assembly Reference Numbers

Parts in service assemblies have reference numbers in the form a:b. The a represents the reference number of the entire service assembly and the b represents a sequential number unique to each part within the service assembly.

For example, a wheel assembly might be identified by reference number 6, the tire by 6:1, the valve by 6:2, and the wheel by 6:3. When you order the assembly identified by reference number 6, you receive all parts identified by reference numbers 6:1, 6:2, and 6:3. However, you may also order any part individually. Reference numbers of this type appear in illustration and in parts lists.

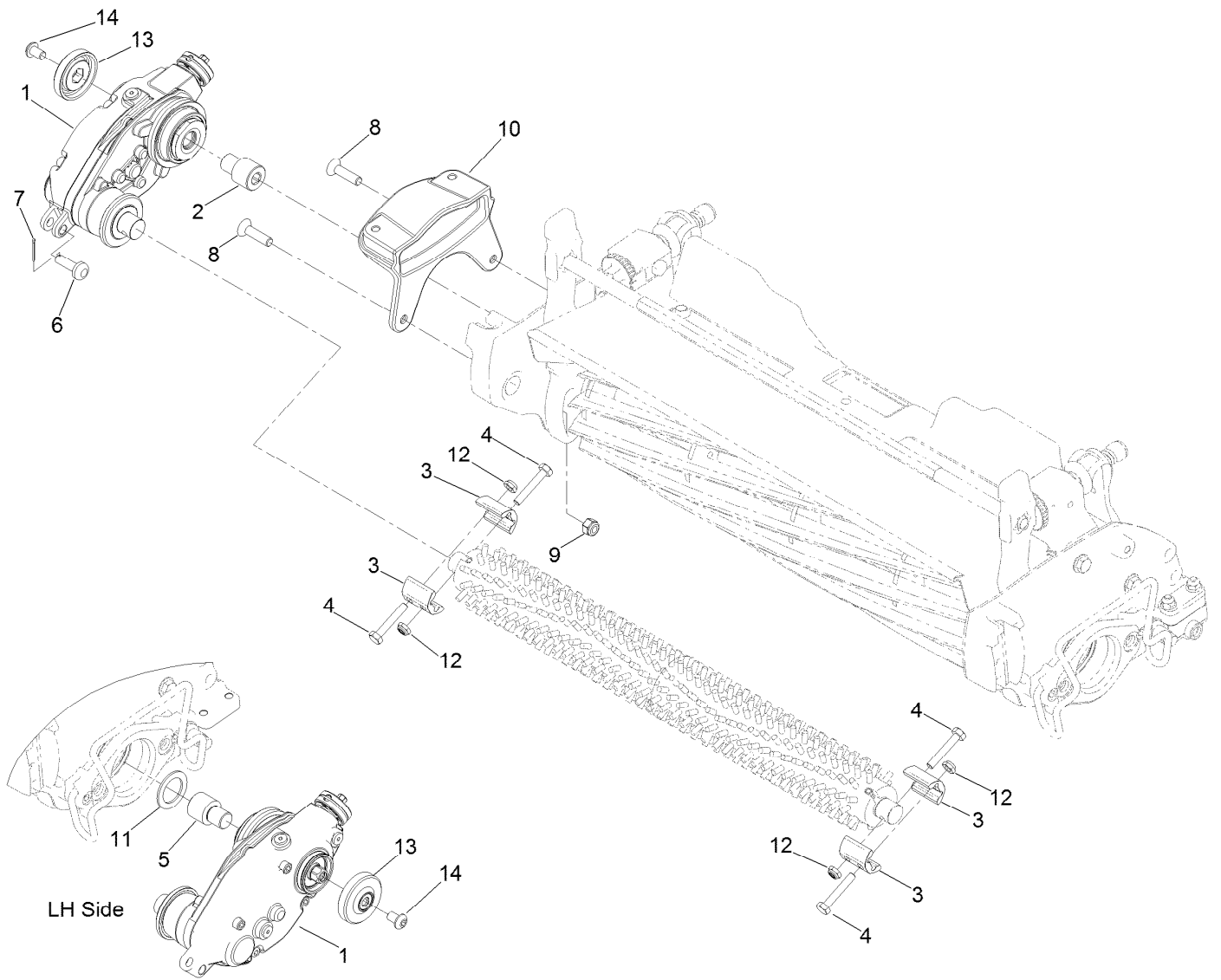
Reference Numbers Indicating Quantity

In an illustration, if a reference number indicates more than one part, the reference number has the form nX y. The n represents the quantity of the part, the X is the multiplication symbol, and the y represents the reference number.

For example, in an illustration, the reference number 2X 37 means that two of the parts identified by reference number 37 are indicated.

Contents

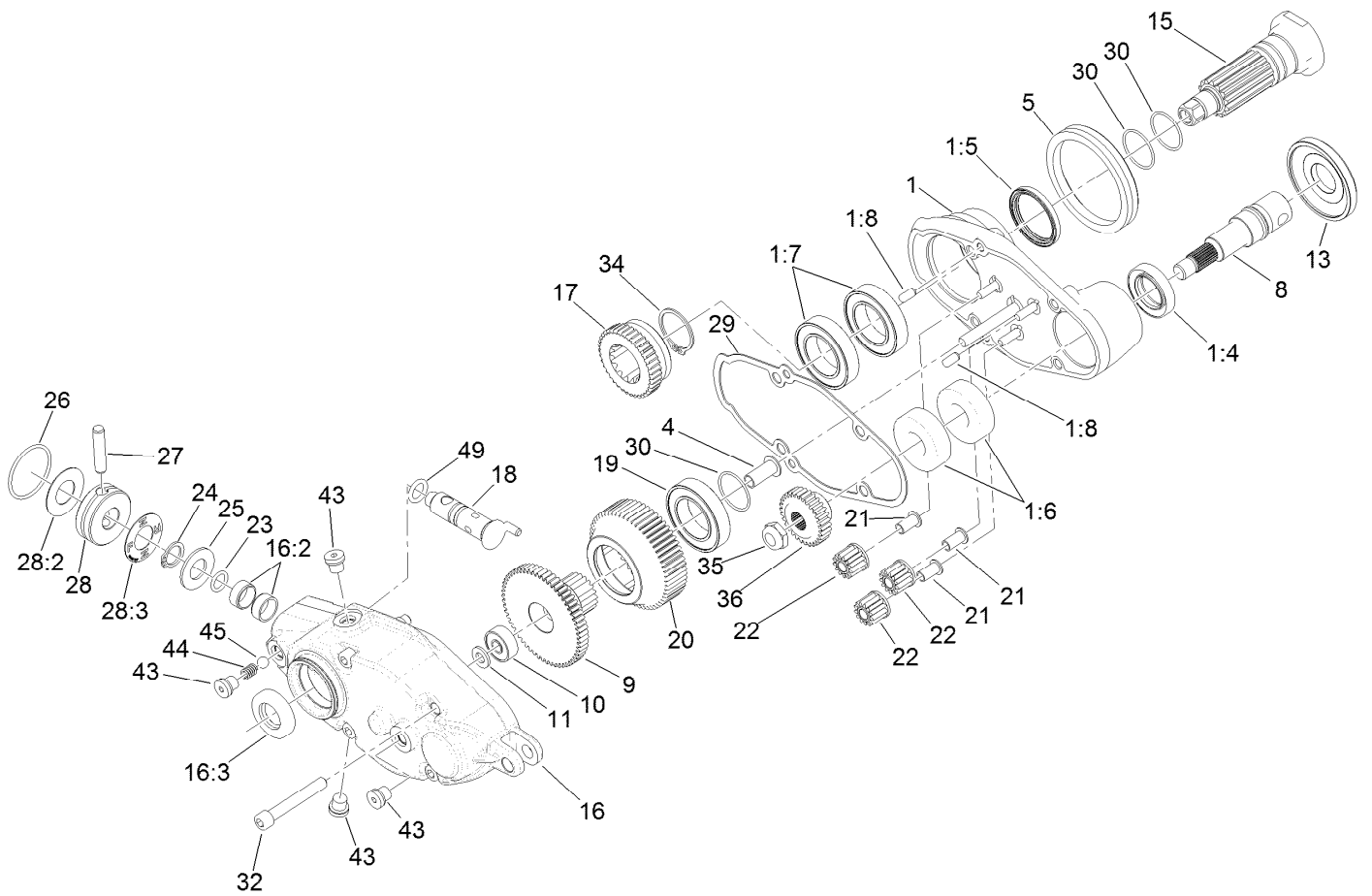
- Groomer Assembly 4
- Groomer Drive Box Assembly 5
- Idler Assembly 6
- Height of Groom Assembly 7
- Attachments and Accessories 8



Groomer Assembly

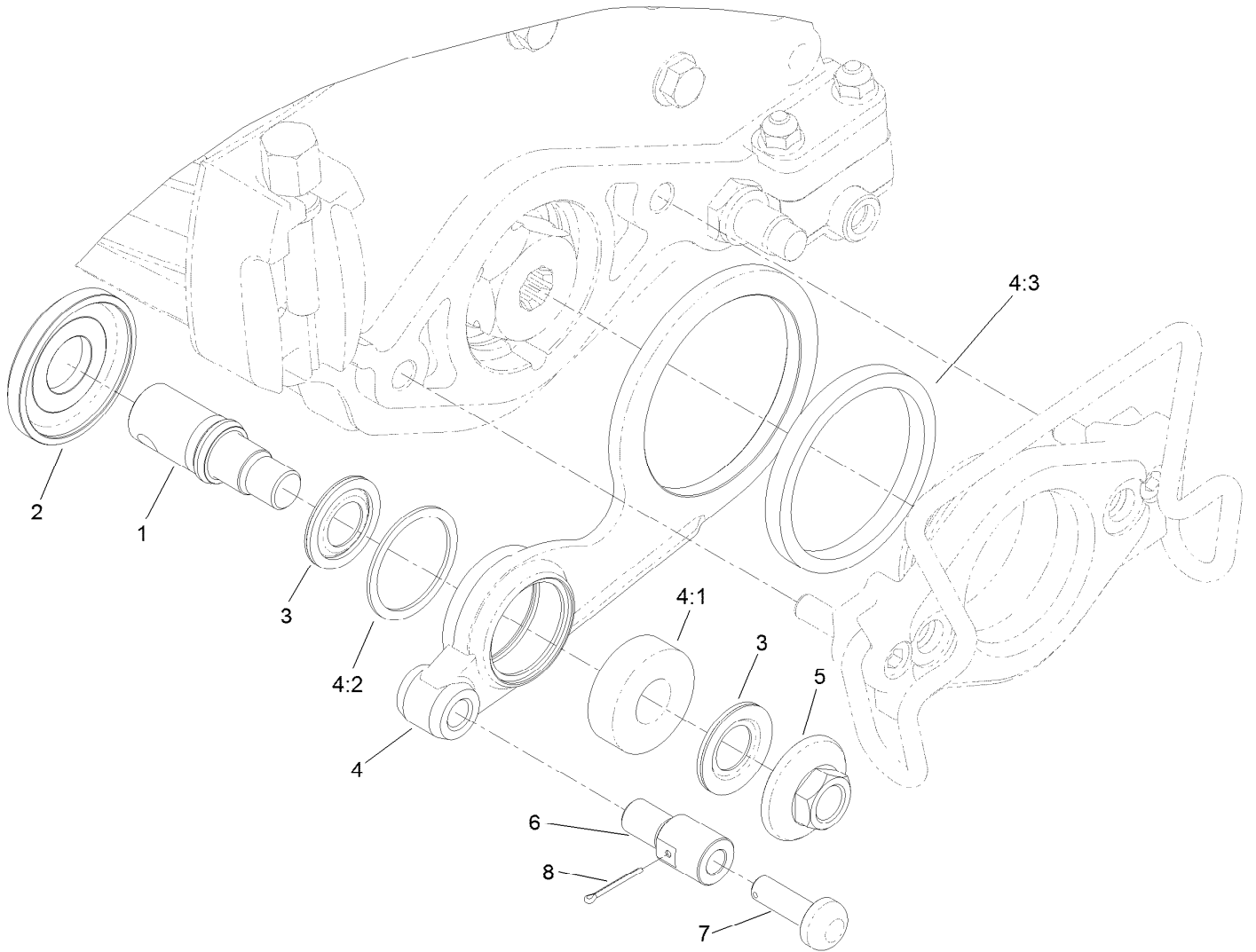
Ref.	Part Number	Qty.	Description
1		1	Groomer Drive Box ASM ●
2	120-2835	1	Adapter-RH
3	132-0742	4	Clamp-Shaft
4	132-4624	4	Screw-HH
5	120-2836	1	Adapter-LH
6	120-2892	1	Pin-Adjuster
7	132-0707	1	Pin-Cotter
8	133-4543	2	Screw
9	119-4038	2	Nut-Hex
10	133-4540-03	1	Weight-Greens
11	132-0728	1	Washer-Shim
12	126-2725	4	Nut-Hex, NI
13	132-4634	1	Shield-Seal
14	131-1884	1	Screw-HSBH

● Not serviced separately



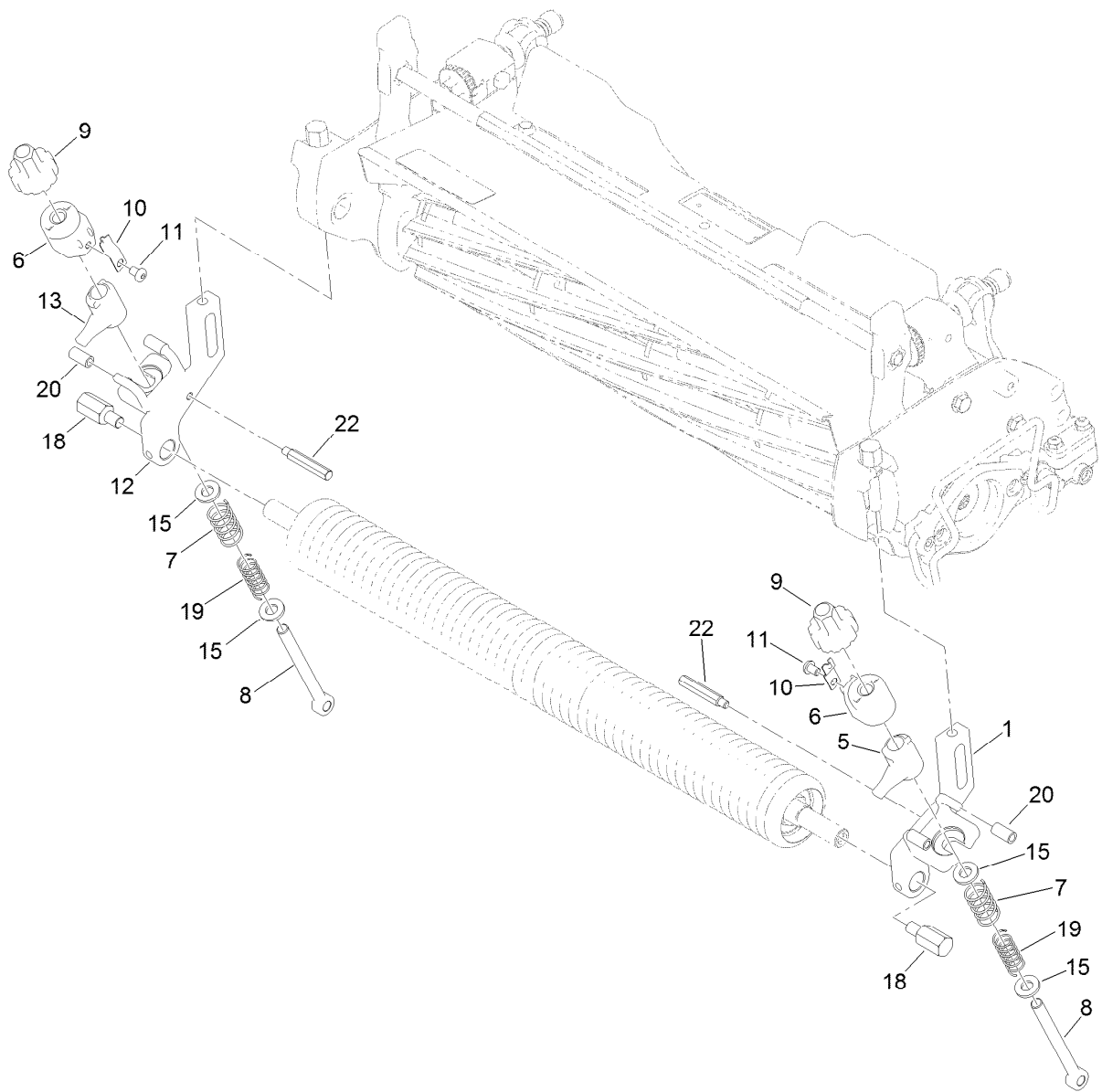
Groomer Drive Box Assembly

<i>Ref.</i>	<i>Part Number</i>	<i>Qty.</i>	<i>Description</i>	<i>Ref.</i>	<i>Part Number</i>	<i>Qty.</i>	<i>Description</i>
1	131-1887	1	5In Groomer Housing ASM	21	120-2919	3	Bushing-Flange
1:4	131-1829	1	Seal-Oil	22	120-2910	3	Gear-Planet
1:5	133-4596	1	Seal-Oil	23	237-22	1	O-Ring
1:6	115-6869	2	Bearing-Ball, Stainless	24	32151-61	1	Ring-Retaining
1:7	132-0745	2	Bearing	25	47-2910	1	Washer-Thrust
1:8	121-9249	2	Pin-Dowel	26	340-64	1	O-Ring
4	120-2921	1	Bushing-Flange	27	125-3529	1	Pin-Shear
5	120-2876	1	Seal-V Ring	28	132-0725	1	Clutch Knob ASM
8	120-2882	1	Shaft-Driven	28:2	132-0719	1	Decal-Clutch, Drive (RH)
9	120-2905	1	Gear-Sun	28:3	132-0727	1	Decal-Clutch, Drive (LH)
10	117-8772	1	Bearing-Ball	29	120-2874	1	Gasket
11	120-2886	1	Washer-Thrust	30	132-0726	3	O-Ring
13	133-9109	1	Shield	32	119-4035	4	Screw-HSH
15	120-2879	1	Shaft-Drive	34	120-2878	1	Ring-Retaining, EXT
16	131-1889	1	Groomer Cover ASM	35	121-4600	1	Nut-Hex
16:2	121-4738	2	Bushing-Straight	36	120-2942	1	Gear-Driven
16:3	133-9080	1	Seal-Oil	43	131-1825	4	Plug-ORB
17	120-2932	1	Gear-Driver	44	105-2443	1	Spring-Detent
18	120-2881	1	Shaft-Actuator, Clutch	45	105-2442	1	Ball-Detent
19	132-0745	1	Bearing	49	131-1879	1	O-Ring Seal
20	120-2904	1	Gear-Ring				



Idler Assembly

<i>Ref.</i>	<i>Part Number</i>	<i>Qty.</i>	<i>Description</i>
1	120-2887	1	Shaft-Stub
2	133-9109	1	Shield
3	115-6923	2	Shield-Bearing, Flocked
4	132-4687	1	Groomer Idler ASM
4:1	115-6869	1	Bearing-Ball, Stainless
4:2	120-2893	1	Ring-Retaining, Spiral
4:3	104-4729	1	Bushing
5	120-2888	1	Nut-Flange
6	120-2891	1	Collar-Adjuster
7	120-2892	1	Pin-Adjuster
8	132-0707	1	Pin-Cotter



Height of Groom Assembly

Ref.	Part Number	Qty.	Description
1	131-1832	1	Arm-Groomer, HOC (LH)
5	120-2819	1	Quick Up-LH
6	120-2907	2	Cover-Quick Up
7	120-2938	2	Spring-Compression
8	132-0708	2	Eye Bolt
9	120-2937	2	Nut
10	132-0706	2	Spring-Detent
11	131-1883	2	Screw-HSBH
12	120-2943	1	Arm-Groomer, HOC (RH)
13	120-2934	1	Quick Up-RH
15	115-7293	4	Washer-Hardened
18	120-2832	2	Guard-Groomer
19	120-2939	2	Spring-Compression
20	132-0722	4	Hose-Groomer
22	133-9149	2	Pin-Groomer

Attachments and Accessories

For 04648 Universal Groomer Drive Kit Greensmaster Flex 1800 and 2100 eFlex 1800 and 2100 or Greensmaster 3000 Series DPA Cutting Units

Product Name	Model/Part
18in Soft Grooming Brush.....	04268
18in Stiff Grooming Brush.....	04269
21in Soft Grooming Brush.....	04270
21in Stiff Grooming Brush.....	04271
18in Spring Steel Groomer Reel	04280
18in Carbide Groomer Reel	04281
21in Spring Steel Groomer Reel	04283
21in Carbide Groomer Reel	04284
18in Thin Blade Groomer Reel, Groomer Drive System	04740
21in Thin Blade Groomer Reel	04741
High Height Of Groom Kit (above .375in).....	133-9110

Notes:

Notes:

Notes:



Count on it.