



Count on it.

Parts Catalog

Universal Groomer Drive Kit

Greensmaster® Flex™ 1800 and 2100, eFlex® 1800 and 2100 or Greensmaster® 3000 Series DPA Cutting Units

Model No. 04648—Serial No. 318000001 and Up



Ordering Replacement Parts

To order replacement parts, please supply the part number, the quantity, and the description of each part desired.

Understanding Reference Numbers

Each identified part in an illustration has a reference number. The reference number for a part also appears in the parts list, along with other information about the part.

This catalog uses two special reference number formats, one to indicate parts in a service assembly and another to indicate the quantity of a given part in an illustration.

Service Assembly Reference Numbers

Parts in service assemblies have reference numbers in the form a:b. The a represents the reference number of the entire service assembly and the b represents a sequential number unique to each part within the service assembly.

For example, a wheel assembly might be identified by reference number 6, the tire by 6:1, the valve by 6:2, and the wheel by 6:3. When you order the assembly identified by reference number 6, you receive all parts identified by reference numbers 6:1, 6:2, and 6:3. However, you may also order any part individually. Reference numbers of this type appear in illustration and in parts lists.

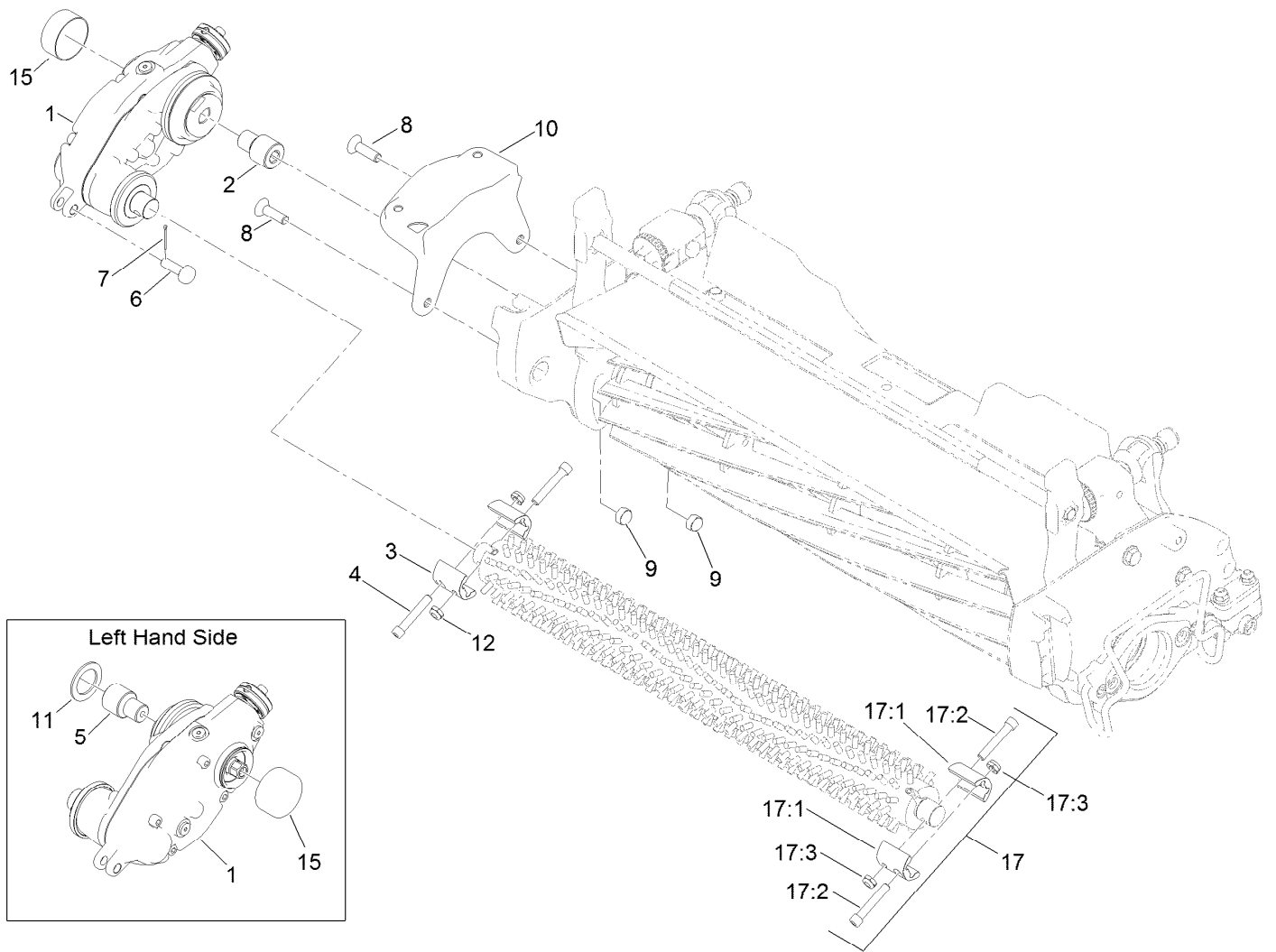
Reference Numbers Indicating Quantity

In an illustration, if a reference number indicates more than one part, the reference number has the form nX y. The n represents the quantity of the part, the X is the multiplication symbol, and the y represents the reference number.

For example, in an illustration, the reference number 2X 37 means that two of the parts identified by reference number 37 are indicated.

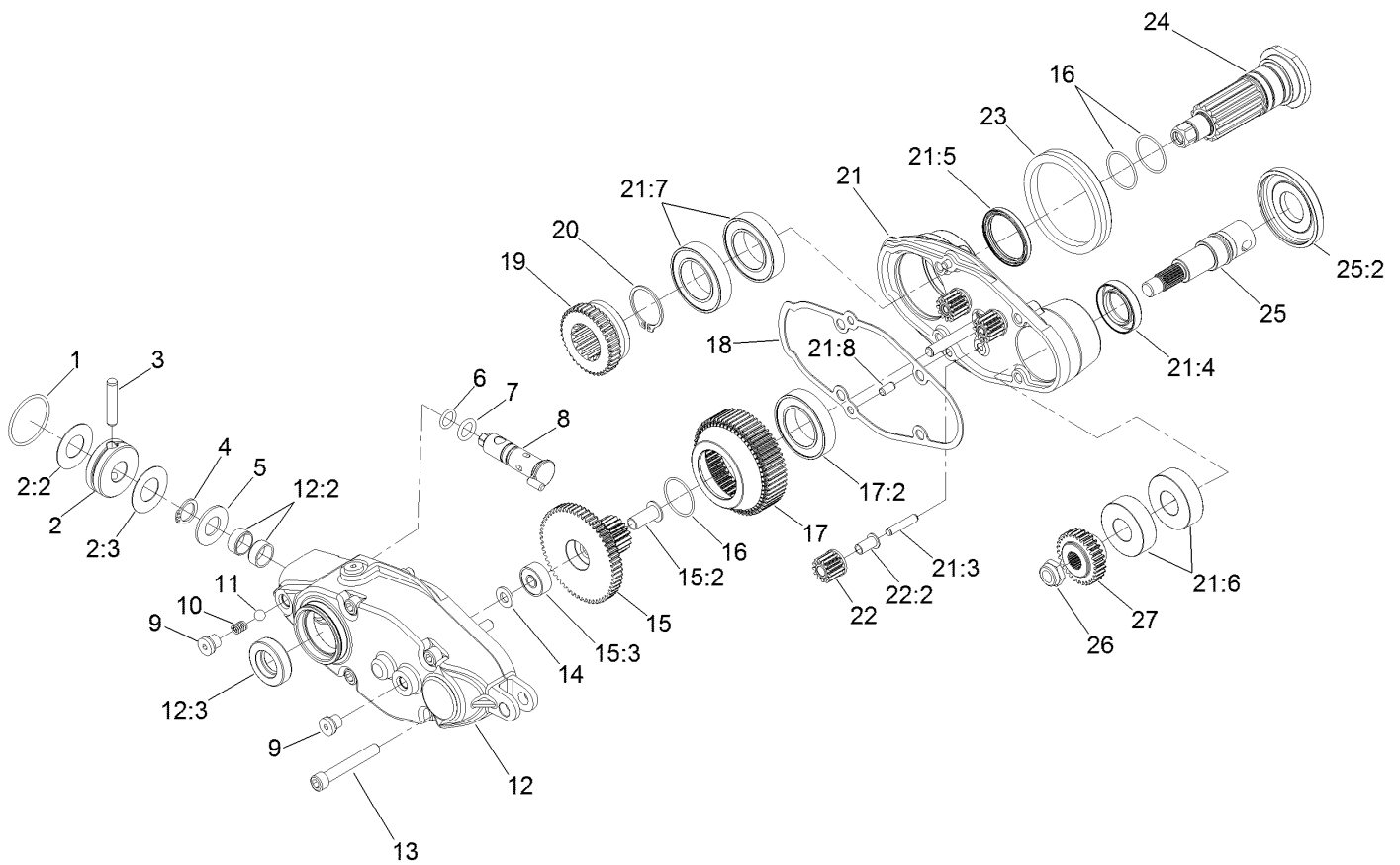
Contents

Groomer Assembly	4
5 Inch Groomer Drive Box Assembly No. 137-0950	5
Idler Assembly	6
Height of Groom Assembly	7
Tools Assembly	8
Attachments and Accessories	9



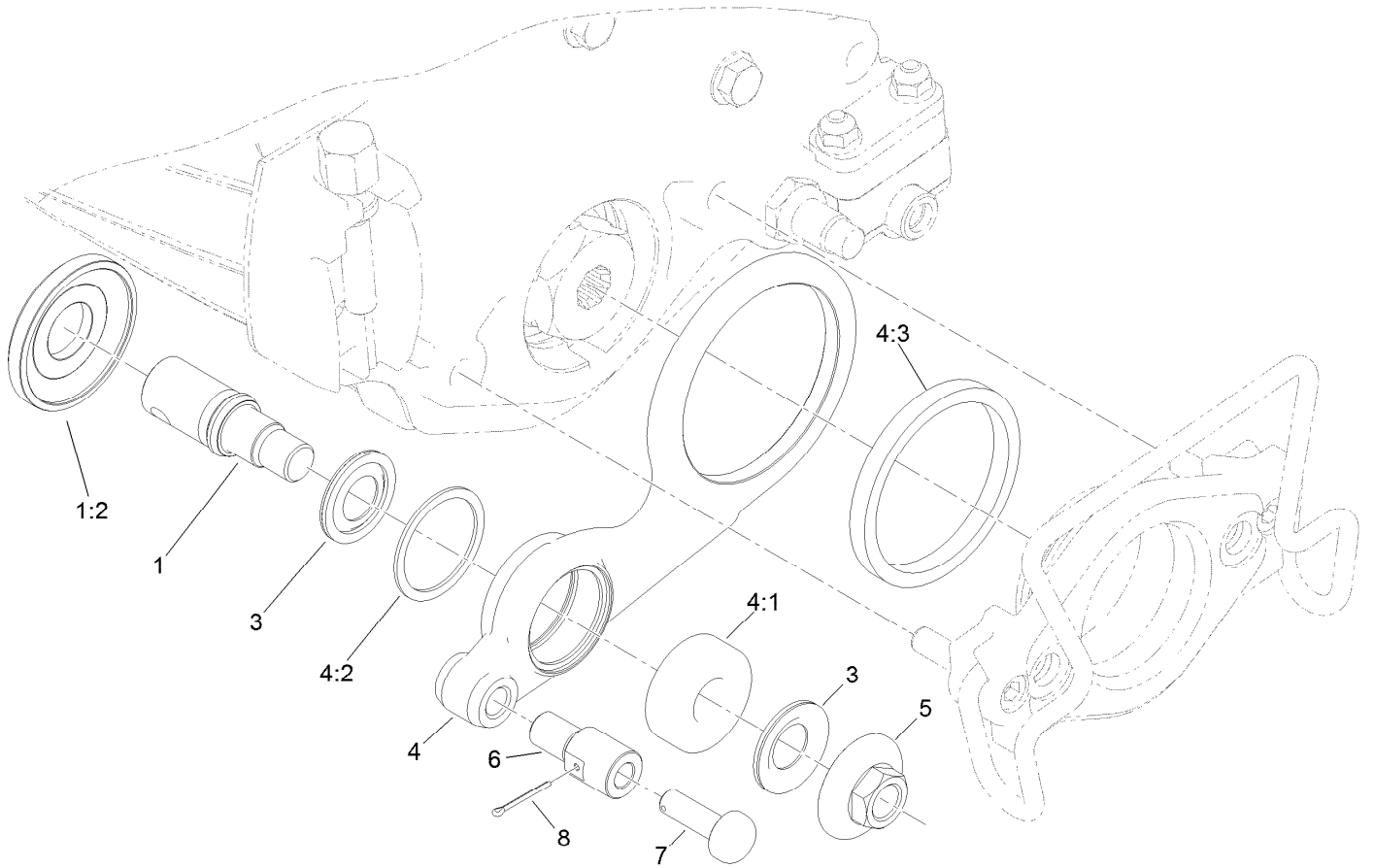
Groomer Assembly

Ref.	Part Number	Qty.	Description	Ref.	Part Number	Qty.	Description
1	137-0950	1	5 Inch Groomer Drive Box ASM	10	133-4540-03	1	Weight-Greens
2	137-0820	1	Adapter-RH (Greens)	11	132-0728	1	Washer-Shim
3	137-0814	4	Clamp-Shaft	12	3296-56	4	Nut-Lock, NI
4	108-0854	4	Screw-HSH	15	137-0902	1	Cap-Round
5	137-0821	1	Adapter-LH (Greens)	17	137-0887	1	Clamp Groomer Cartridge Kit
6	137-0881	1	Pin-Adjuster	17:1	137-0814	2	Clamp-Shaft
7	132-0707	1	Pin-Cotter	17:2	108-0854	2	Screw-HSH
8	133-4543	2	Screw	17:3	3296-56	2	Nut-Lock, NI
9	119-4038	2	Nut-Hex				



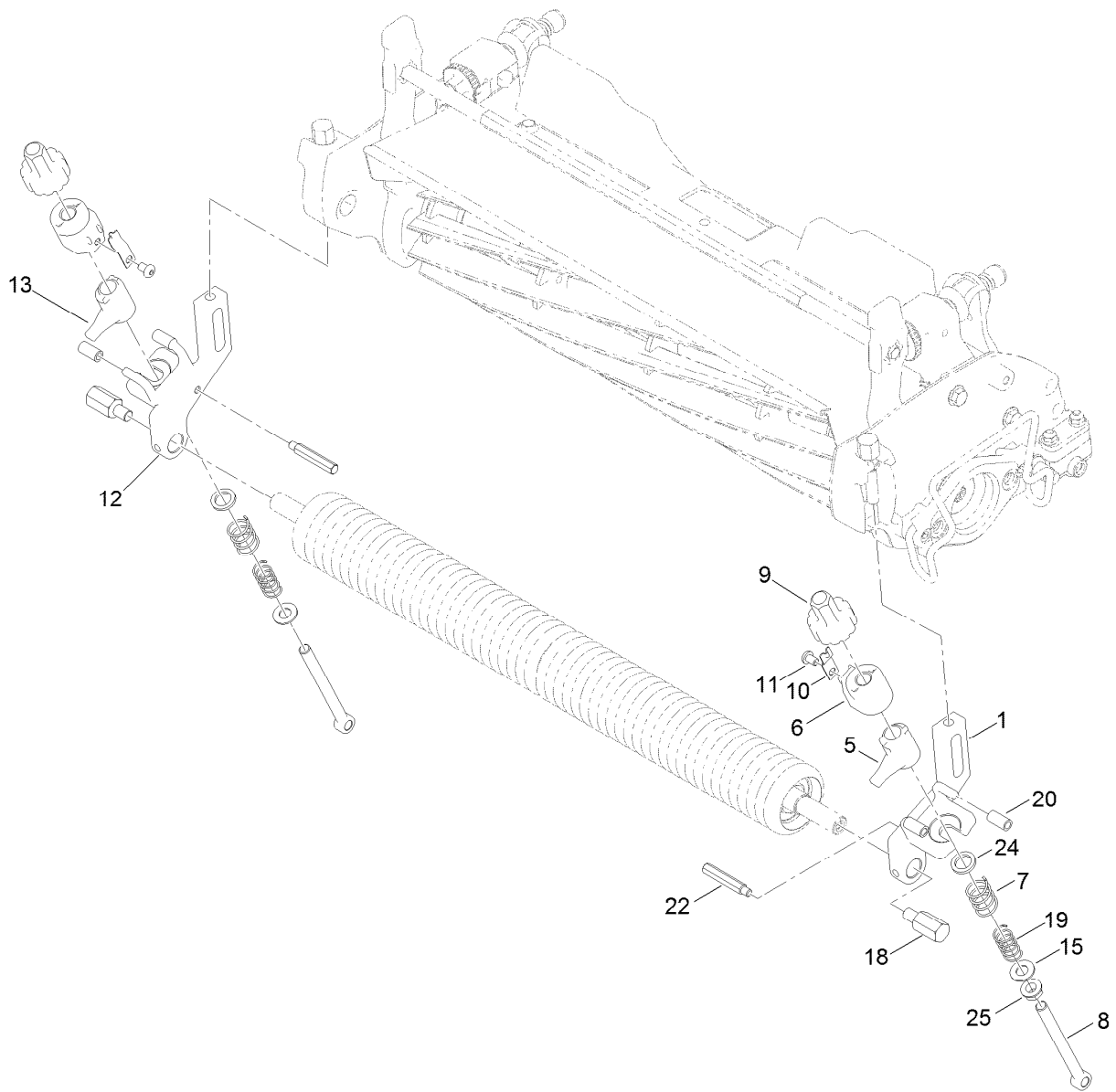
5 Inch Groomer Drive Box Assembly No. 137-0950

Ref.	Part Number	Qty.	Description	Ref.	Part Number	Qty.	Description
1	340-64	1	O-Ring	16	132-0726	3	O-Ring
2	132-0725	1	Clutch Knob ASM	17	137-0961	1	Gear-Ring ASM
2:2	132-0719	1	Decal-Clutch, Drive (RH)	17:2	133-8286	1	Bearing
2:3	132-0727	1	Decal-Clutch, Drive (LH)	18	120-2874	1	Gasket
3	125-3529	1	Pin-Shear	19	120-2932	1	Gear-Driver
4	32151-61	1	Ring-Retaining	20	120-2878	1	Ring-Retaining, EXT
5	47-2910	1	Washer-Thrust	21	131-1887	1	5In Groomer Housing ASM
6	237-22	1	O-Ring	21:3	120-2885	3	Pin-Planet
7	131-1879	1	O-Ring Seal	21:4	131-1829	1	Seal-Oil
8	120-2881	1	Shaft-Actuator, Clutch	21:5	133-4596	1	Seal-Oil
9	131-1825	4	Plug-ORB	21:6	115-6869	2	Bearing-Ball, Stainless
10	105-2443	1	Spring-Detent	21:7	132-0745	2	Bearing
11	105-2442	1	Ball-Detent	21:8	121-9249	2	Pin-Dowel
12	137-0951	1	5In Cover ASM	22	137-0962	3	Planet Gear ASM
12:2	121-4738	2	Bushing-Straight	22:2	120-2919	1	Bushing-Flange
12:3	137-0812	1	Seal-Oil	23	120-2876	1	Seal-V Ring
13	119-4035	4	Screw-HSH	24	137-0966	1	Shaft-Drive
14	120-2886	1	Washer-Thrust	25	137-0963	1	Driven Shaft ASM
15	137-0960	1	Gear-Sun ASM	25:2	133-9109	1	Shield
15:2	120-2921	1	Bushing-Flange	26	121-4600	1	Nut-Hex
15:3	117-8772	1	Bearing-Ball	27	120-2942	1	Gear-Driven



Idler Assembly

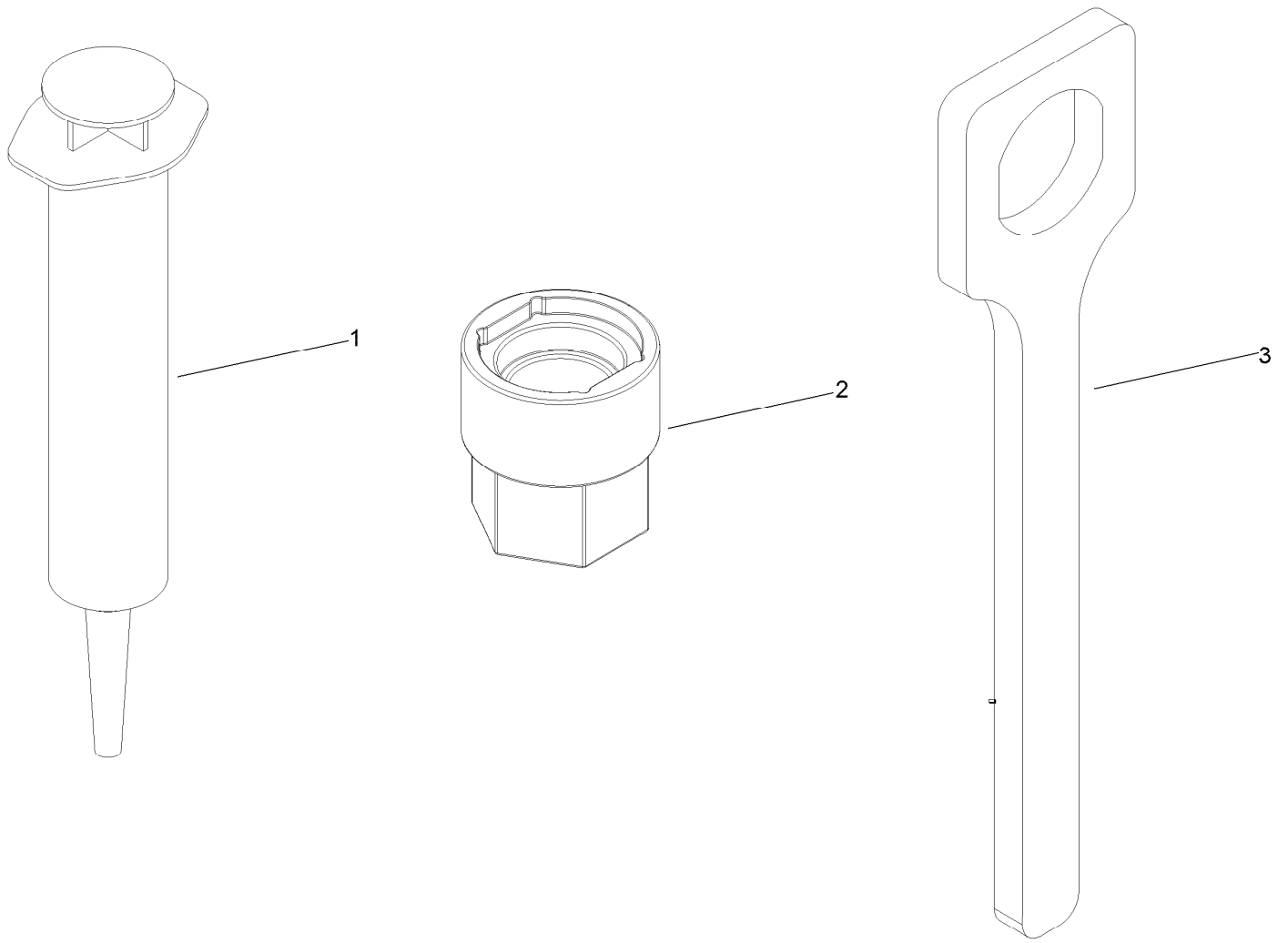
<i>Ref.</i>	<i>Part Number</i>	<i>Qty.</i>	<i>Description</i>
1	137-0964	1	Shaft-Stub ASM
1:2	133-9109	1	Shield
3	115-6923	2	Shield-Bearing, Flocked
4	132-4687	1	Groomer Idler ASM
4:1	115-6869	1	Bearing-Ball, Stainless
4:2	120-2893	1	Ring-Retaining, Spiral
4:3	104-4729	1	Bushing
5	120-2888	1	Nut-Flange
6	137-0880	1	Pin-Spring
7	137-0881	1	Pin-Adjuster
8	132-0707	1	Pin-Cotter



Height of Groom Assembly

Ref.	Part Number	Qty.	Description
1	137-0853	1	Bracket-HOC, LH (Groomer)
5	133-9106	1	Up-Quick, LH
6	133-9103	2	Cover-Up, Quick
7	120-2938	2	Spring-Compression
8	137-0827	2	Eye Bolt
9	137-0828	2	Nut-Adjuster
10	132-0706	2	Spring-Detent
11	131-1883	2	Screw-HSBH
12	137-0852	1	Bracket-HOC, RH (Groomer)

Ref.	Part Number	Qty.	Description
13	133-9101	1	Up-Quick, RH
15	48-9220	2	Washer-Plain
18	120-2832	2	Guard-Groomer
19	120-2939	2	Spring-Compression
20	132-0722	4	Hose-Groomer
22	133-9149	2	Pin-Groomer
24	62-7120	2	Washer
25	3290-357	2	Nut-HHF, Whiz



Tools Assembly

<i>Ref.</i>	<i>Part Number</i>	<i>Qty.</i>	<i>Description</i>
1	137-0872	1	Tool-Syringe ●
2	137-0920	1	Tool-Drive Shaft Removal
3	137-0921	1	Tool-Adapter, Wrench

● Optional Equipment

Attachments and Accessories

For 04648 Universal Groomer Drive Kit Greensmaster Flex 1800 and 2100, eFlex 1800 and 2100 or Greensmaster 3000 Series DPA Cutting Units

Product Name	Model/Part
18in Soft Grooming Brush.....	04268
18in Stiff Grooming Brush.....	04269
21in Soft Grooming Brush.....	04270
21in Stiff Grooming Brush.....	04271
18in Spring Steel Groomer Reel	04280
18in Carbide Groomer Reel	04281
21in Spring Steel Groomer Reel	04283
21in Carbide Groomer Reel	04284
21in Thin Blade Groomer Reel	04741
18in Twin Tip Groomer Reel	04801
21in Twin Tip Groomer Reel	04802
High Height Of Groom Kit (above .375in).....	133-9110

Notes:

Notes:



Count on it.