



Count on it.

Parts Catalog

GrandStand® Mower

With 36in TURBO FORCE® Cutting Unit

Model No. 79534—Serial No. 403260000 and Up



Ordering Replacement Parts

To order replacement parts, please supply the part number, the quantity, and the description of each part desired.

Understanding Reference Numbers

Each identified part in an illustration has a reference number. The reference number for a part also appears in the parts list, along with other information about the part.

This catalog uses two special reference number formats, one to indicate parts in a service assembly and another to indicate the quantity of a given part in an illustration.

Service Assembly Reference Numbers

Parts in service assemblies have reference numbers in the form a:b. The a represents the reference number of the entire service assembly and the b represents a sequential number unique to each part within the service assembly.

For example, a wheel assembly might be identified by reference number 6, the tire by 6:1, the valve by 6:2, and the wheel by 6:3. When you order the assembly identified by reference number 6, you receive all parts identified by reference numbers 6:1, 6:2, and 6:3. However, you may also order any part individually. Reference numbers of this type appear in illustration and in parts lists.

Reference Numbers Indicating Quantity

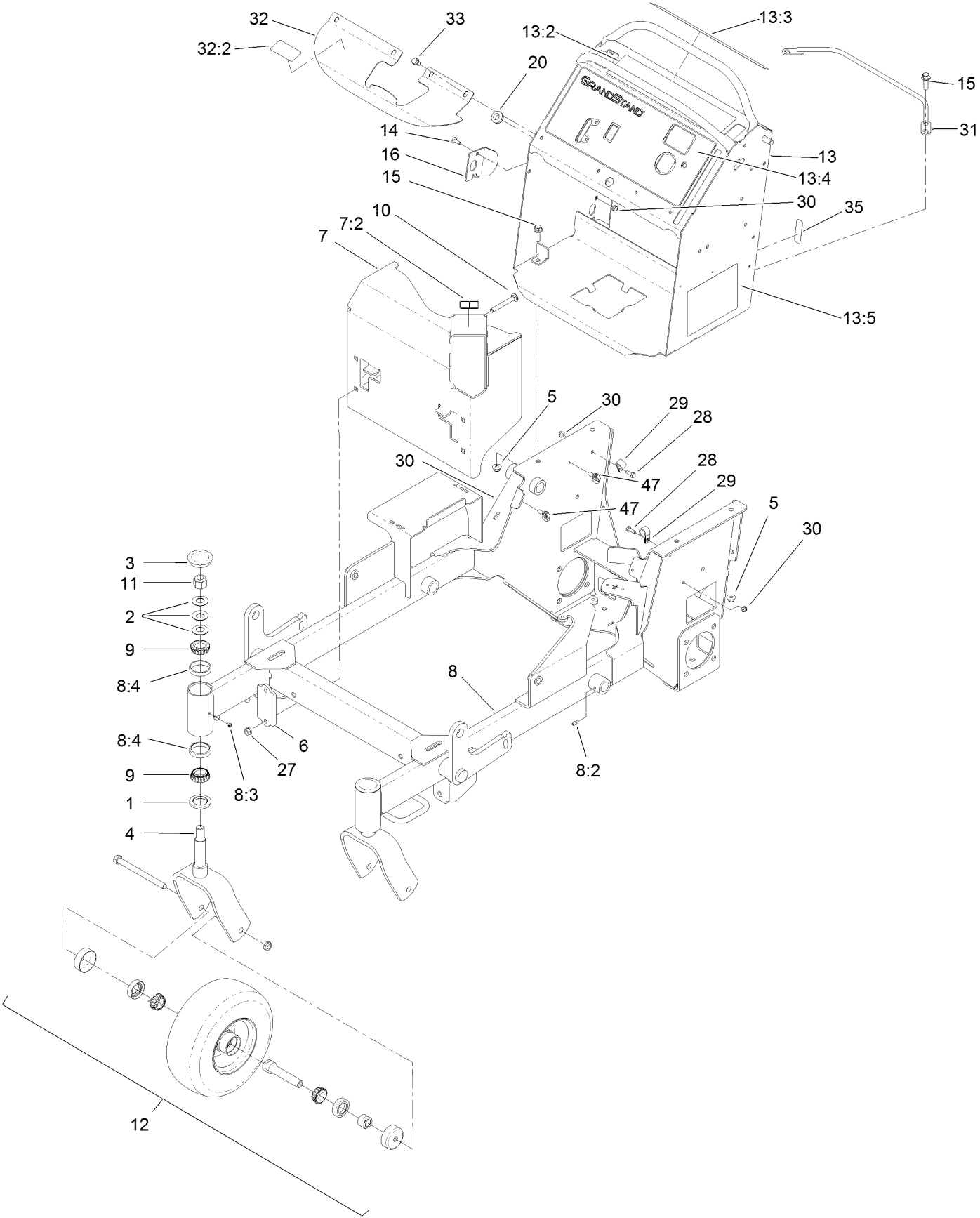
In an illustration, if a reference number indicates more than one part, the reference number has the form nX y. The n represents the quantity of the part, the X is the multiplication symbol, and the y represents the reference number.

For example, in an illustration, the reference number 2X 37 means that two of the parts identified by reference number 37 are indicated.

Contents

Main Frame Assembly	4
Wheel, Tire and Bearing Assembly No. 130-4558	6
Parking Brake Assembly	8
Height-of-Cut Plate Assembly	10
Deck Lift Assembly	12
Deck Lift Spring Assembly No. 119-2337	14
Cushion and Platform Assembly	16
Cushion Assembly No. 130-1767	18
Platform Assembly No. 132-9402	20
Traction Drive Assembly	22
Hydraulic Motor Assembly 104-1171	24
Hydraulic Pump Assembly No. 119-0177	26
Hydraulic Pump Assembly No. 119-0176	28
Pump Idler Assembly No. 117-7685	30
Motion Control Assembly	32
Engine Assembly	34
Fuel Tank Assembly	36
Vent Hose Assembly	38
Electrical Assembly	40
Deck Assembly	42
Deflector Assembly No. 119-2347	44
Spindle Assembly No. 117-7638	46
Deck Decal Assembly No. 121-6015	48
Attachments and Accessories	50

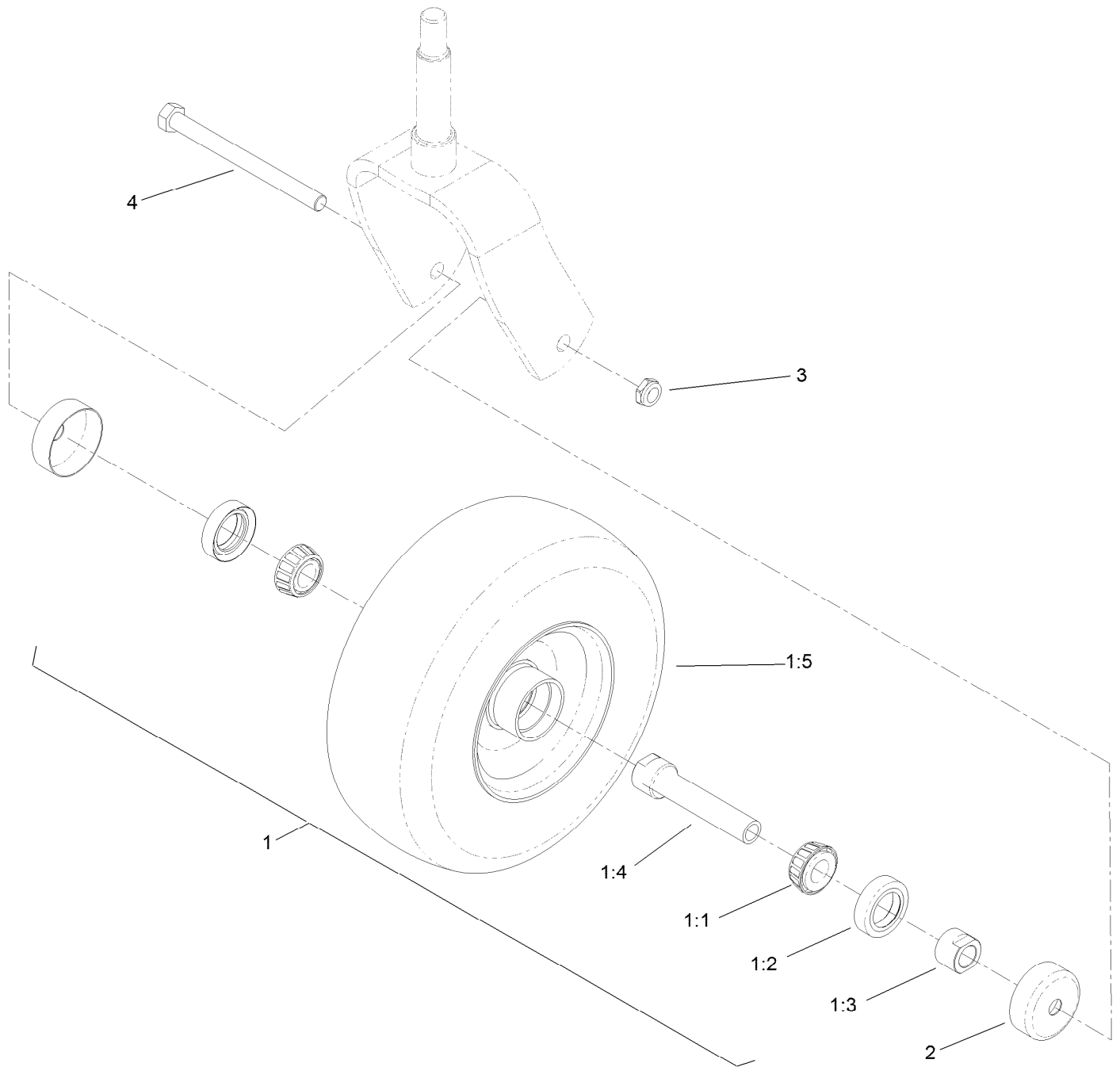
Main Frame Assembly



Main Frame Assembly (continued)

<i>Ref.</i>	<i>Part Number</i>	<i>Qty.</i>	<i>Description</i>	<i>Ref.</i>	<i>Part Number</i>	<i>Qty.</i>	<i>Description</i>
1	116-5647	2	Seal-Grease	13:2	117-0454	1	Decal-OPC
2	1-633508	6	Washer-Bellville	13:3	117-3626	1	Decal-Warning
3	103-4882	2	Cap-Grease	13:4	125-4679	1	Decal-Panel, Control
4	121-7988-01	2	Fork-Caster	13:5	139-1531	1	Decal-Service
5	104-8301	4	Nut-HF, NI	14	1-807512	1	Bolt-CARR
6	119-7303-01	2	Bracket-Mounting, Guard	15	119-4061	4	Screw-HHF
7	116-8739	1	Muffler Guard ASM	16	119-7312	1	Plate-Striker
7:2	106-5517	1	Decal-Warning	20	112-7069	1	Grommet
8	125-4650	1	Frame ASM	27	32128-21	4	Nut-HF
8:2	302-5	7	Fitting-Grease	28	321-4	2	Screw-HH
8:3	1-811010	2	Plug	29	2412-87	2	Clamp-Cable
8:4	1-543508	4	Cup-Bearing	30	104-7201	3	Nut-HF
9	1-543509	4	Bearing-Roller, Tapered	31	119-1878-03	1	Retainer-Cable
10	3231-10	4	Screw-CARR	32	119-0239	1	Cover-Tank
11	3296-51	2	Nut-Lock, NI	32:2	116-8775	1	Decal-Fill, Fuel
12	130-4558	2	Wheel/Tire And Bearing ASM	33	32144-70	4	Screw-HWHTF
13	125-4675	1	Control Tower ASM	35	116-8772	1	Decal-Fuse
				47	32180-040	2	Clip-Harness

Wheel, Tire and Bearing Assembly No. 130-4558



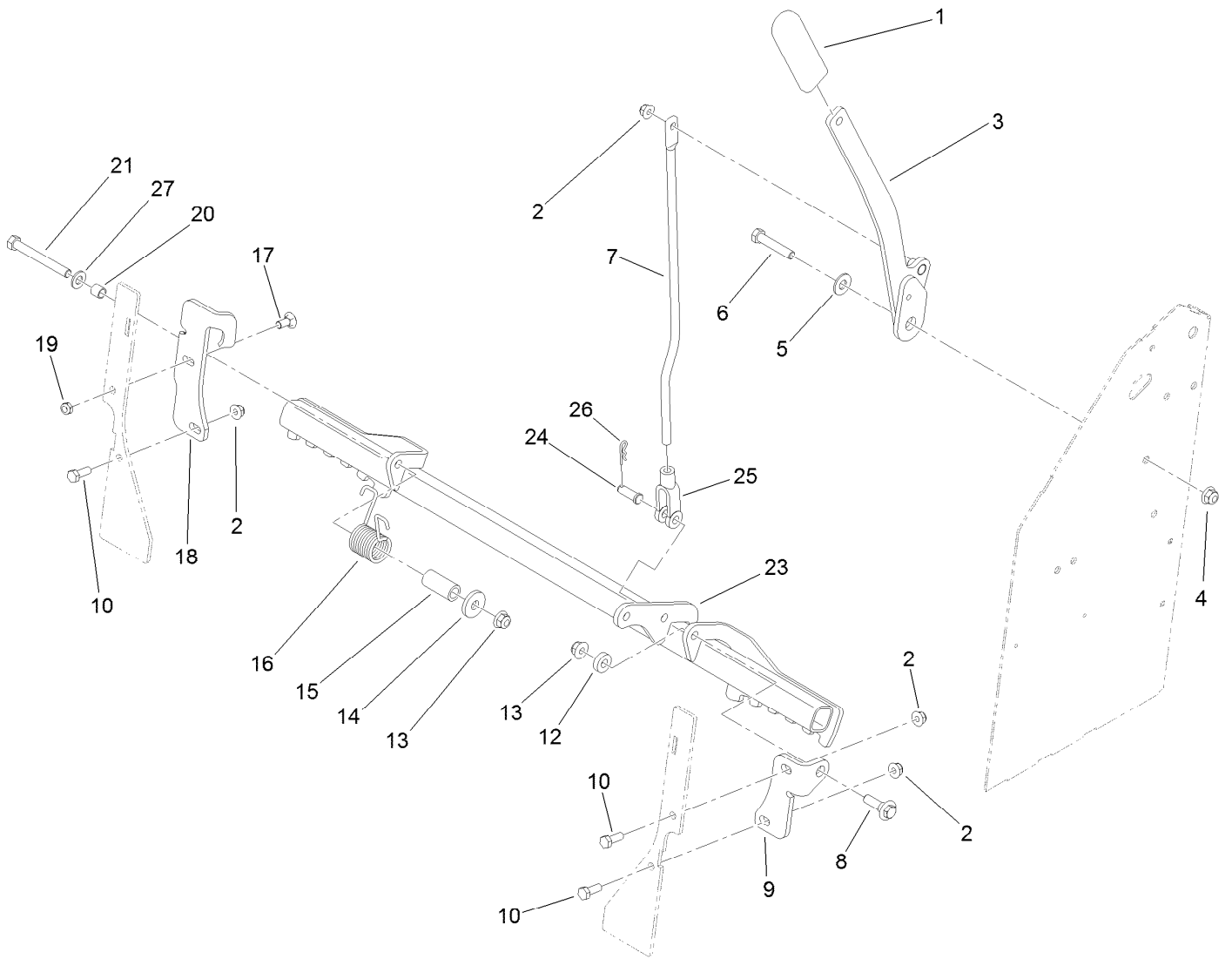
Wheel, Tire and Bearing Assembly No. 130-4558 (continued)

<i>Ref.</i>	<i>Part Number</i>	<i>Qty.</i>	<i>Description</i>	<i>Ref.</i>	<i>Part Number</i>	<i>Qty.</i>	<i>Description</i>
1		1	Wheel And Bearing ASM ●	1:5	130-4563	1	Wheel And Tire ASM
1:1	1-633585	2	Bearing-Cone, Taper	2	103-2768	2	Guard-Seal
1:2	103-0063	2	Seal-Caster	3	3296-45	1	Nut-Hex
1:3	103-3051	1	Spacer-Nut ■	4	325-20	1	Screw-HH
1:4	126-5359	1	Caster Axle ASM				

● Not serviced separately

■ Use Pro-Lock, Nut Type (P/N 1-840022, .5ml tube) on spacer nut

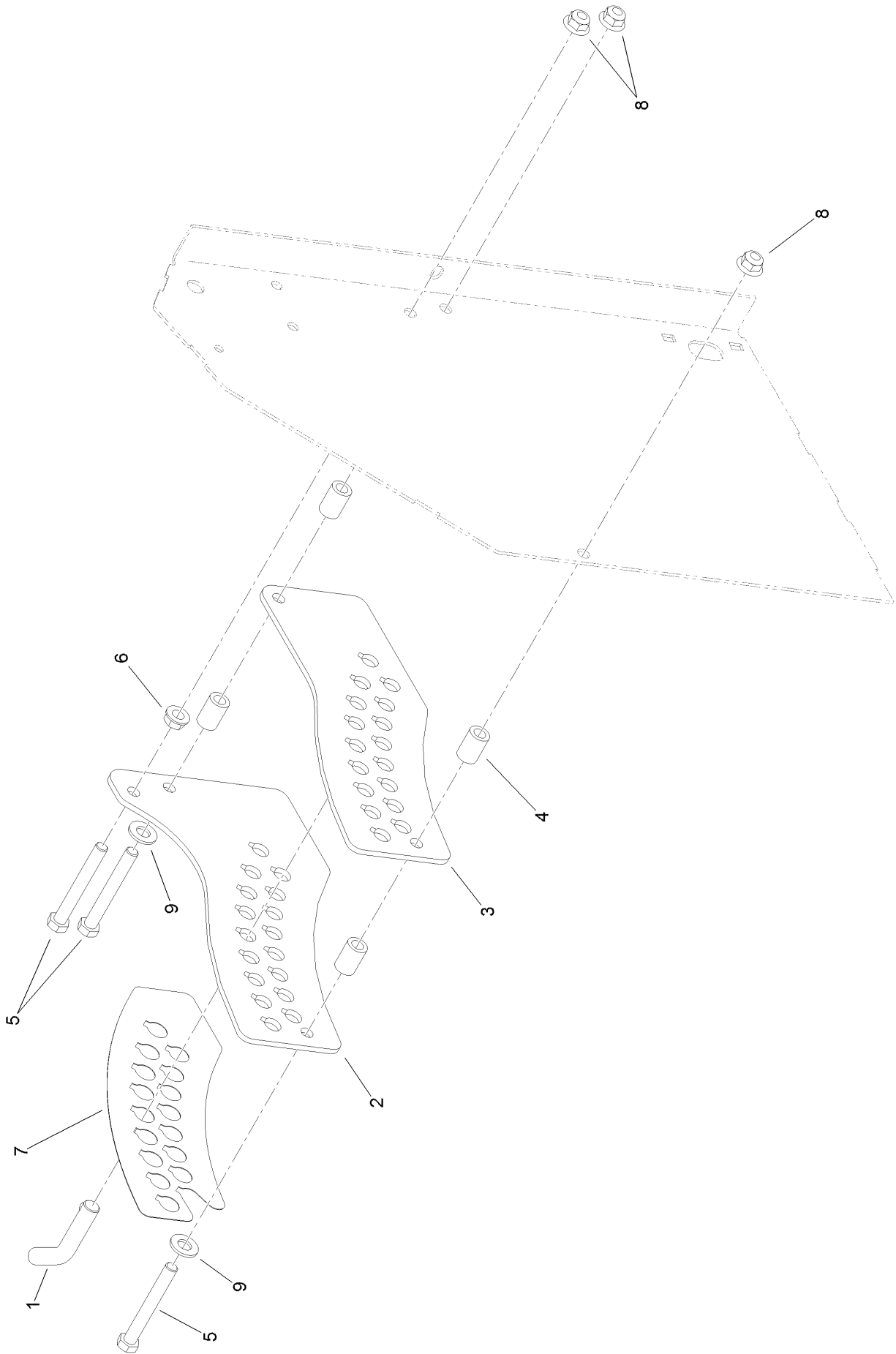
Parking Brake Assembly



Parking Brake Assembly (continued)

<i>Ref.</i>	<i>Part Number</i>	<i>Qty.</i>	<i>Description</i>	<i>Ref.</i>	<i>Part Number</i>	<i>Qty.</i>	<i>Description</i>
1	1-633268	1	Grip-Lever	15	117-9683	1	Spacer
2	104-8300	4	Nut-HF, NI	16	108-4052	1	Spring-Torsion
3	119-1861-01	1	Handle-Brake	17	3230-1	1	Bolt-CARR
4	104-8301	1	Nut-HF, NI	18	125-4667-01	1	Bracket-Brake Mount, RH
5	3256-4	1	Washer-Flat	19	3296-47	1	Nut-Lock, NI
6	323-10	1	Screw-HH	20	117-9684	1	Spacer
7	117-6199	1	Rod-Link, Brake	21	323-20	1	Screw-HH
8	614672	1	Screw-Shoulder, HWH	23	116-4600-03	1	Bar-Brake
9	119-1860-01	1	Bracket-Brake Mount, LH	24	283-2	1	Pin-Clevis
10	322-4	3	Screw-HH	25	1-633131	1	Yoke-Linkage, Brake
12	5-0652	1	Spacer	26	3290-307	1	Pin-Cotter
13	104-8301	2	Nut-HF, NI	27	3256-24	1	Washer-Flat
14	1-373034	1	Washer				

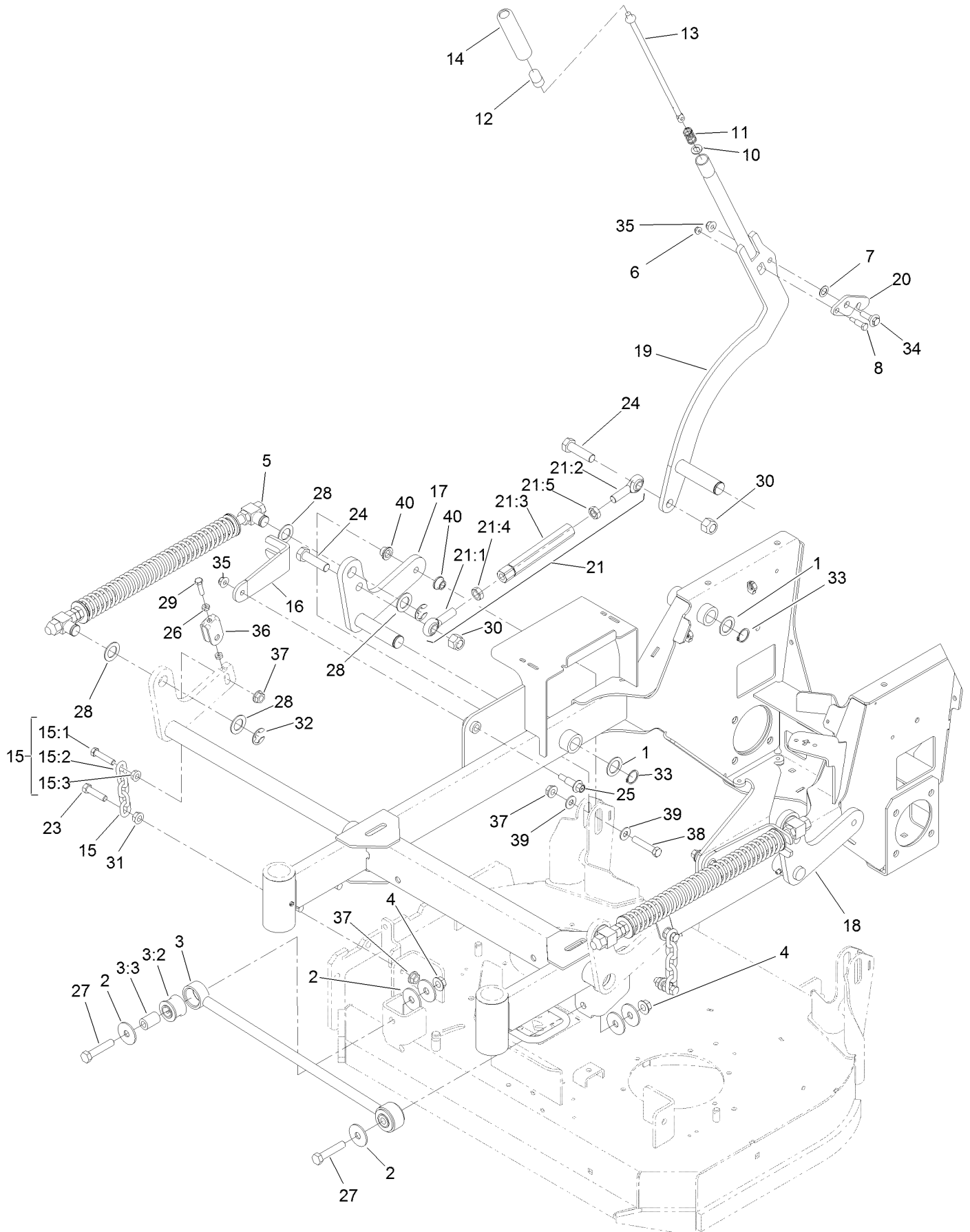
Height-of-Cut Plate Assembly



Height-of-Cut Plate Assembly (continued)

<i>Ref.</i>	<i>Part Number</i>	<i>Qty.</i>	<i>Description</i>	<i>Ref.</i>	<i>Part Number</i>	<i>Qty.</i>	<i>Description</i>
1	116-5584	1	Pin-HOC	6	3290-357	1	Nut-HHF, Whiz
2	117-5286-01	1	Plate-HOC, Outside	7	119-2317	1	Decal-HOC
3	117-5287-01	1	Plate-HOC, Inside	8	104-8301	3	Nut-HF, NI
4	114-2754	4	Spacer	9	3256-24	2	Washer-Flat
5	323-14	3	Screw-HH				

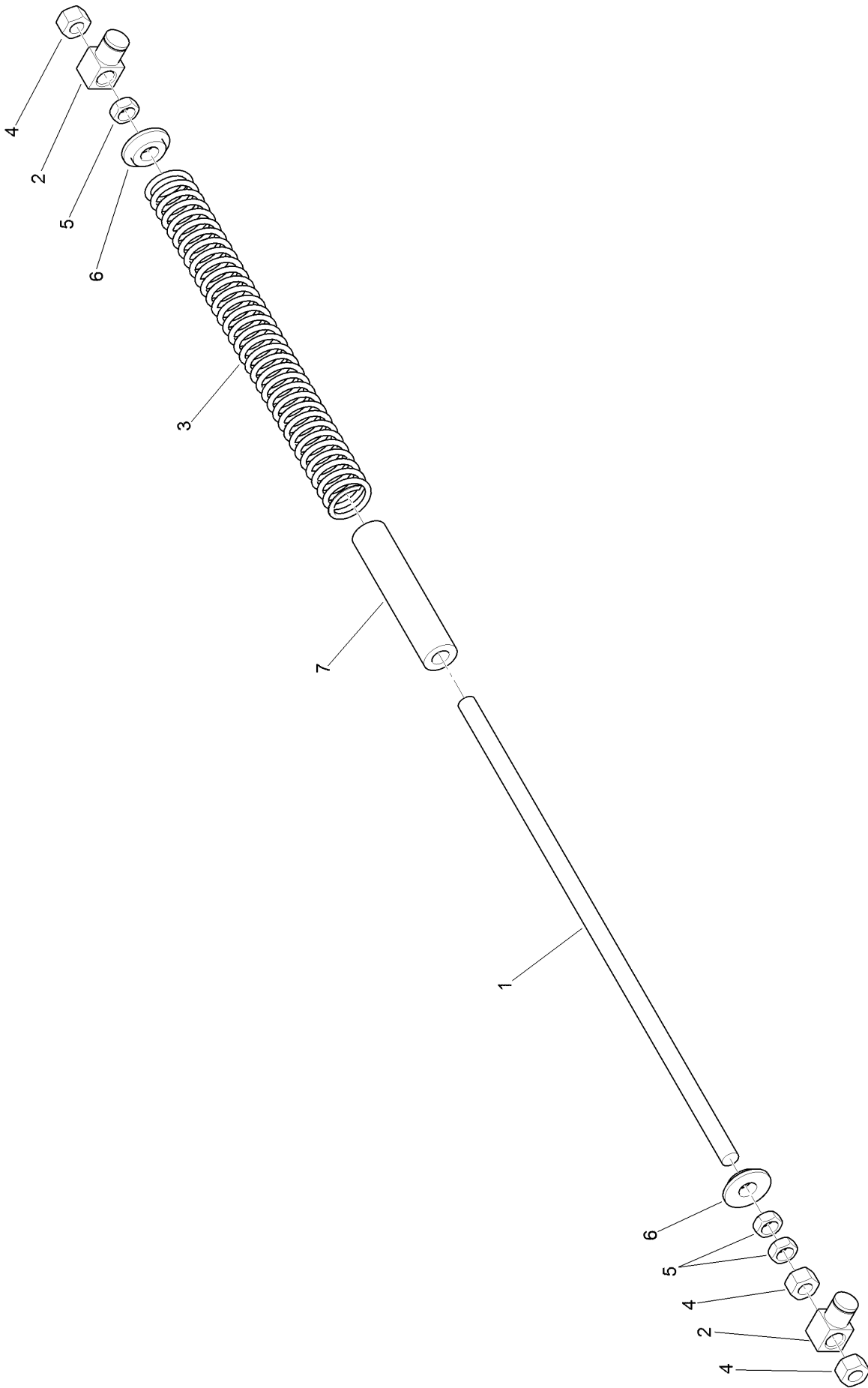
Deck Lift Assembly



Deck Lift Assembly (continued)

<i>Ref.</i>	<i>Part Number</i>	<i>Qty.</i>	<i>Description</i>	<i>Ref.</i>	<i>Part Number</i>	<i>Qty.</i>	<i>Description</i>
1	1-523157	3	Washer-Spacer	21	119-0383	1	Deck Lift Link ASM
2	86-1990	4	Washer-Thrust	21:1	1-633029	1	Balljoint-Spherical
3	109-5013	1	Panhard Rod ASM	21:2	117-5291	1	Balljoint-Spherical
3:2	109-5009	2	Bushing-Suspension, Rubber	21:3	119-0382	1	Link-Lift, Deck
3:3	109-5010	2	Spacer	21:4	3220-6	1	Nut-Jam
4	32128-23	2	Nut-HF	21:5	117-5293	1	Nut-Jam
5	119-2337	2	Deck Lift Spring ASM	23	324-7	2	Screw-HH
6	104-7201	1	Nut-HF	24	327-22	2	Screw-HH
7	98-1629	1	Washer	25	62-1330	2	Bolt-Shoulder
8	119-2309	1	Bolt-Shoulder	26	3218-2	4	Nut-Jam
10	114-1207	1	Washer-Special	27	325-10	2	Screw-HH
11	114-8187	1	Spring-Compression	28	119-2332	8	Washer-Flat
12	115-2750	1	Knob	29	119-3626	2	Screw-HH
13	136-0530	1	Rod-Latch, Release	30	3296-53	2	Nut-Lock, NI
14	115-3592	1	Grip	31	32128-37	2	Nut-HF
15	116-0756	2	Deck Lift Chain ASM	32	32151-103	4	Ring-Retaining, EXT
15:1	1-633447	1	Chain-Lift, Deck	33	32151-29	3	Ring-Retaining
15:2	109-9065	1	Screw-HH	34	614672	1	Screw-Shoulder, HWH
15:3	32128-37	1	Nut-HF	35	104-8301	3	Nut-HF, NI
16	119-2302-01	2	Bracket-Fork	36	109-9066	2	Yoke-Adjust, Deck
17	121-6014-01	1	Arm-Lift, RH	37	32128-42	6	Nut-HF
18	121-6013-01	1	Arm-Lift, LH	38	324-9	2	Screw-HH
19	117-5290-01	1	Arm-Lift, HOC	39	3256-4	4	Washer-Flat
20	117-5292	1	Latch-HOC	40	116-2428	4	Bushing-Flanged

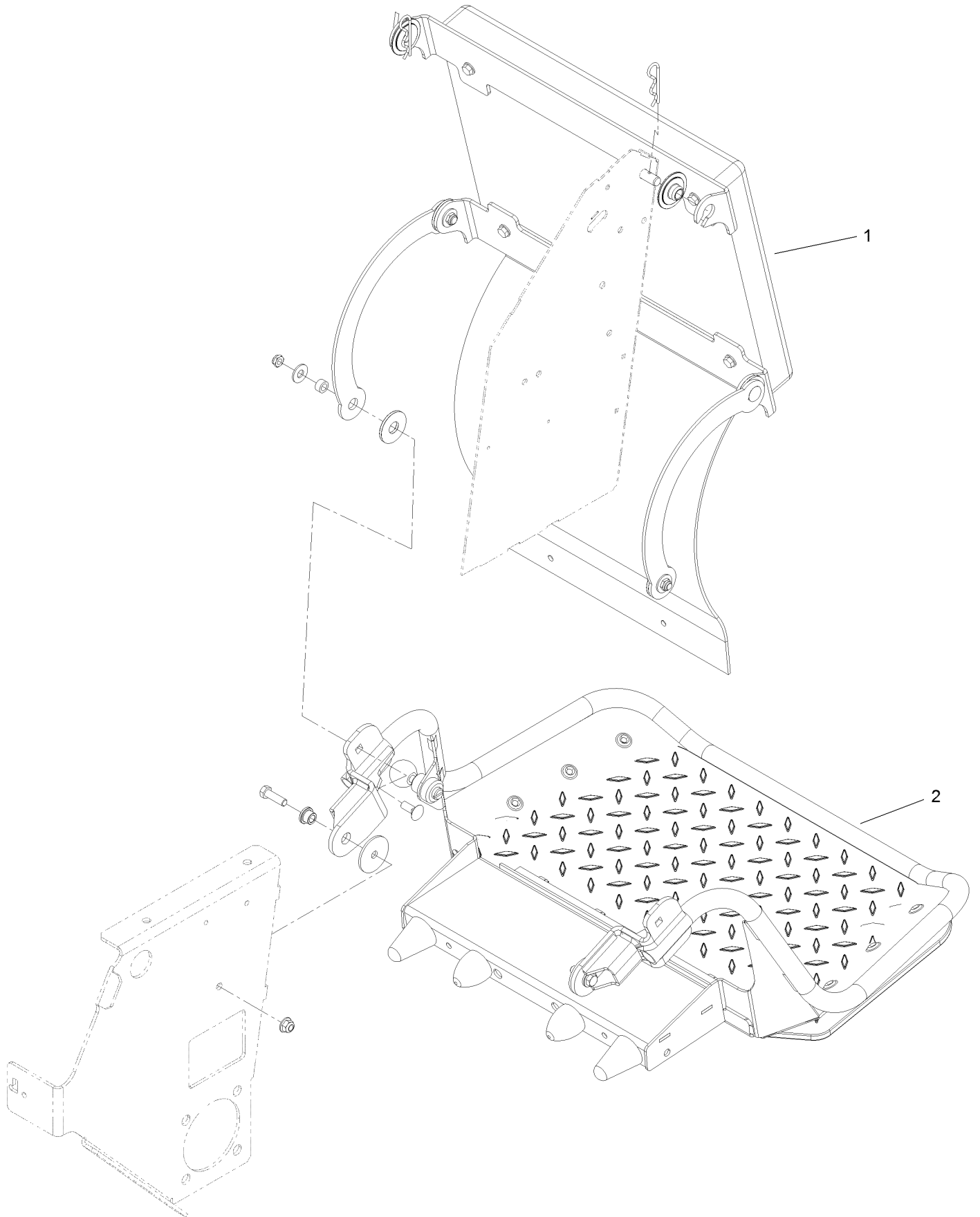
Deck Lift Spring Assembly No. 119-2337



Deck Lift Spring Assembly No. 119-2337 (continued)

<i>Ref.</i>	<i>Part Number</i>	<i>Qty.</i>	<i>Description</i>	<i>Ref.</i>	<i>Part Number</i>	<i>Qty.</i>	<i>Description</i>
1	1-633096	1	Rod-Lift, Deck	5	3218-6	3	Nut-Jam
2	1-633441	2	Swivel-Deck Mount, Rear	6	119-2334	2	Washer-Step
3	119-2327	1	Spring-Compression	7	119-2335	1	Tube-Guide, Spring
4	3217-11	3	Nut-Hex				

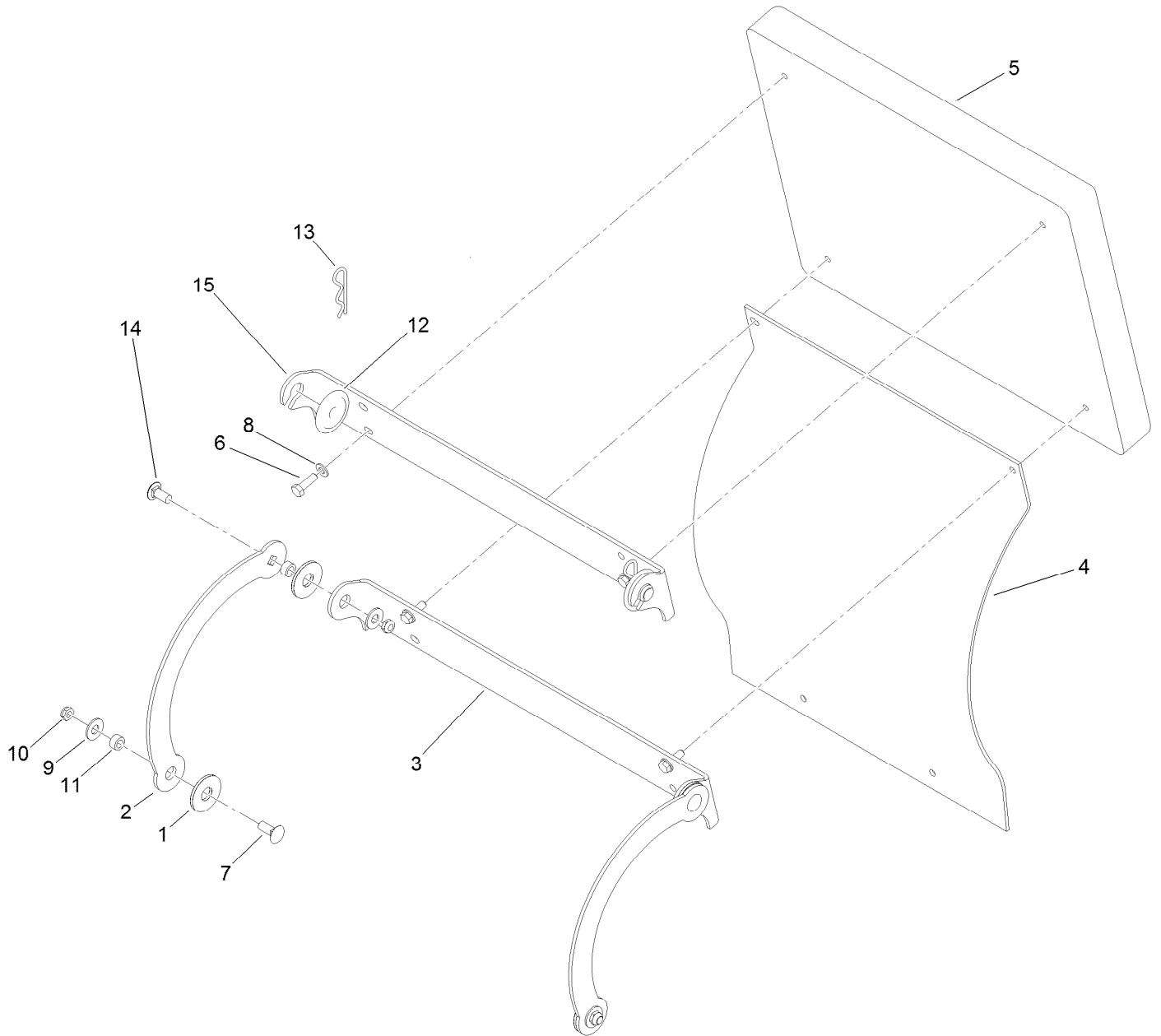
Cushion and Platform Assembly



Cushion and Platform Assembly (continued)

<i>Ref.</i>	<i>Part Number</i>	<i>Qty.</i>	<i>Description</i>
1	130-1767	1	Cushion ASM
2	132-9402	1	Platform ASM

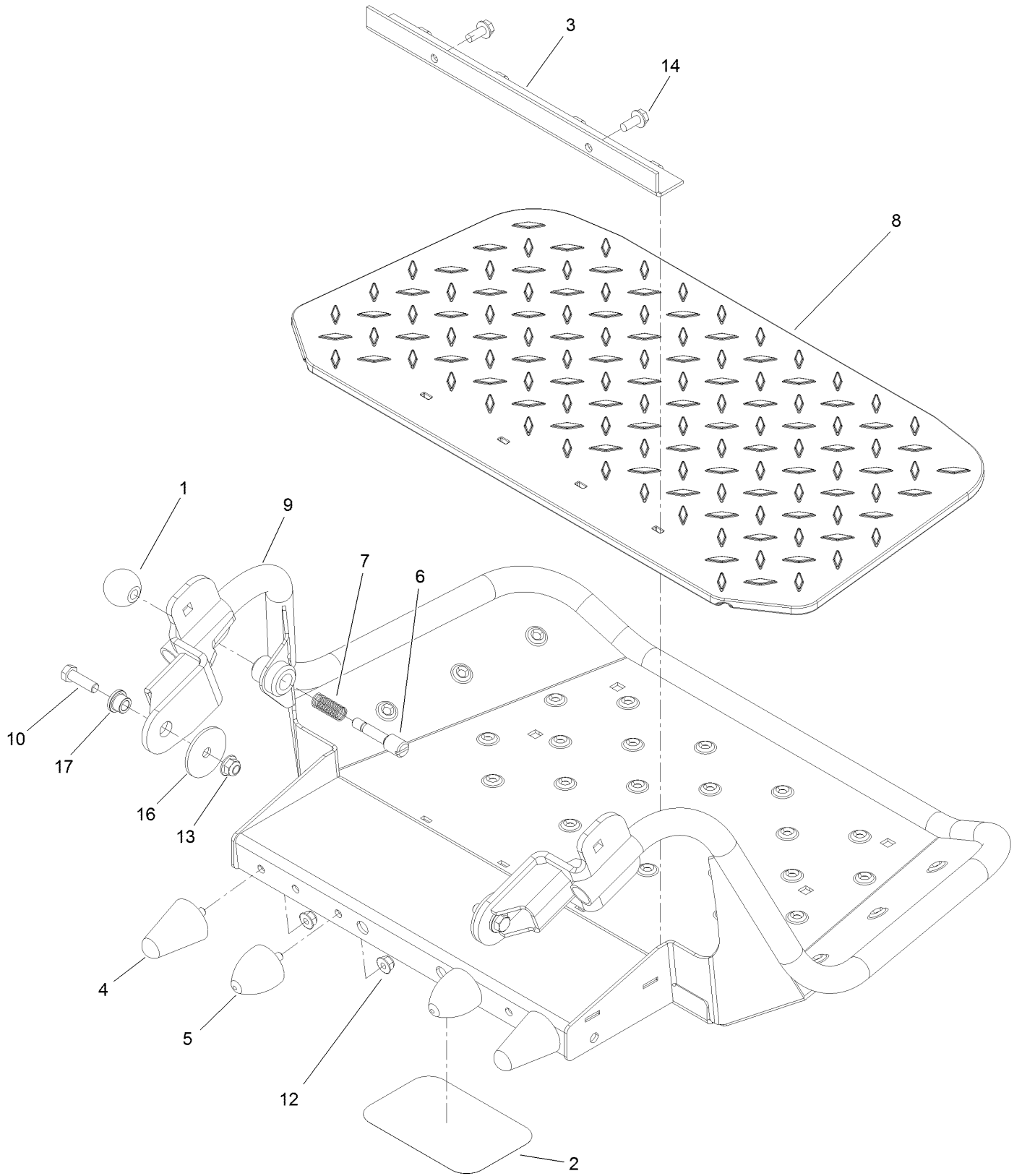
Cushion Assembly No. 130-1767



Cushion Assembly No. 130-1767 (continued)

<i>Ref.</i>	<i>Part Number</i>	<i>Qty.</i>	<i>Description</i>	<i>Ref.</i>	<i>Part Number</i>	<i>Qty.</i>	<i>Description</i>
1	114-0463	4	Washer-Friction, Composite	9	3256-4	4	Washer-Flat
2	114-1915-01	2	Link-Pad	10	3296-59	4	Nut-Lock, NI
3	116-2061-03	1	Hinge-Pad	11	111044	4	Spacer
4	130-1769	1	Shield-Rear	12	116-2886	2	Slide-Bushing
5	117-9739	1	Pad-Cushion	13	3290-355	2	Pin-Hair
6	121-7999	4	Screw-HH	14	3231-27	2	Screw-CARR
7	3231-2	2	Bolt-CARR	15	116-2757-03	1	Hinge-Pad
8	3256-23	4	Washer-Plain				

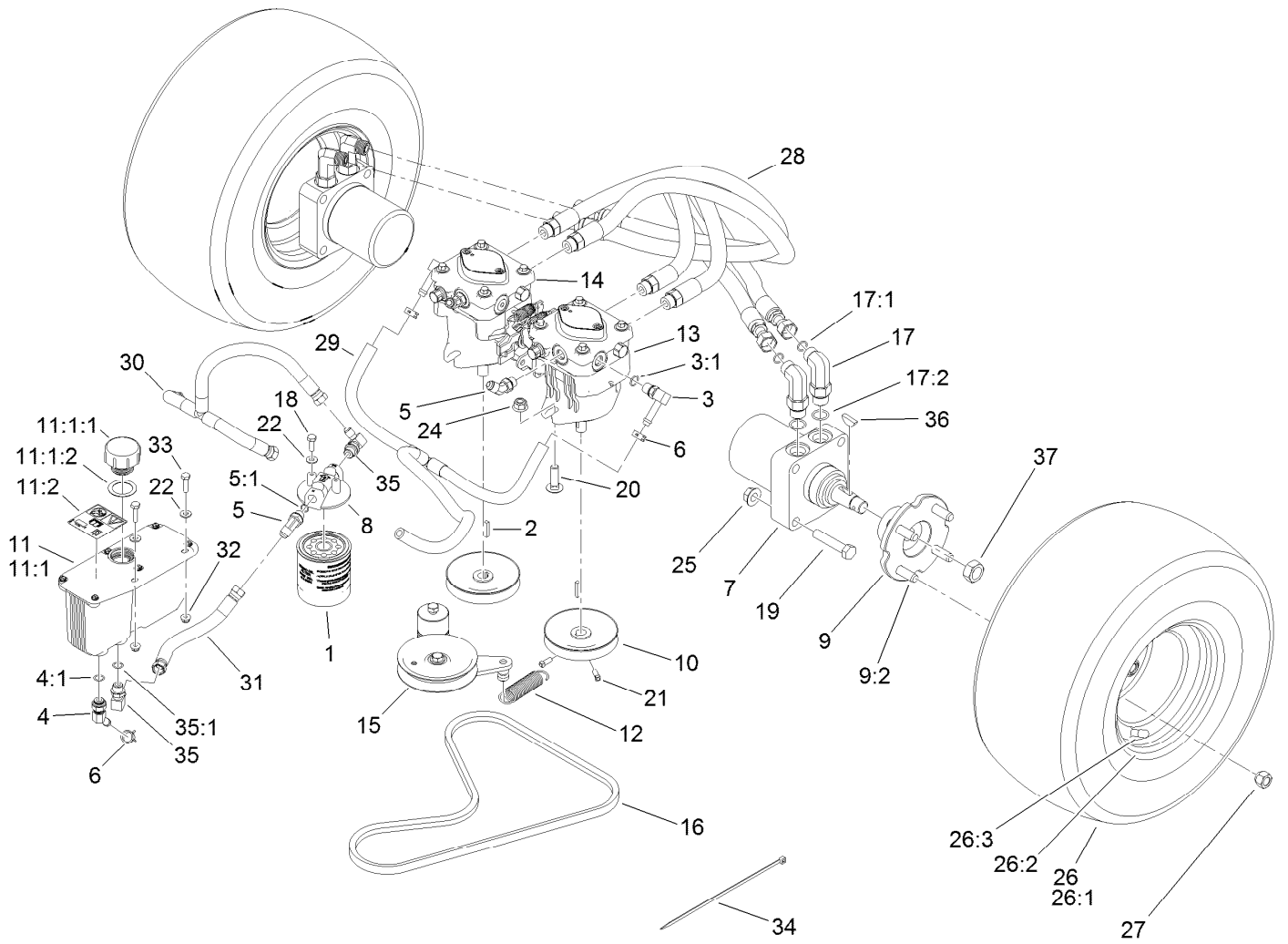
Platform Assembly No. 132-9402



Platform Assembly No. 132-9402 (continued)

<i>Ref.</i>	<i>Part Number</i>	<i>Qty.</i>	<i>Description</i>	<i>Ref.</i>	<i>Part Number</i>	<i>Qty.</i>	<i>Description</i>
1	1-603175	1	Knob-Ball	9	132-9403-01	1	Platform ASM
2	68-3640	1	Decal	10	323-7	2	Screw-HH
3	114-1920-03	1	Clamp-Shield	12	104-8300	4	Nut-HF, NI
4	114-1925	2	Bumper-Rubber	13	104-8301	2	Nut-HF, NI
5	114-1926	2	Bumper-Rubber	14	32144-11	2	Screw-Thd Roll, HWH
6	119-8650	1	Pin-Latch	16	83-1040	2	Washer-Flat
7	114-5348	1	Spring	17	109-8788	2	Bushing-Flanged
8	126-7157	1	Mat-Platform				

Traction Drive Assembly

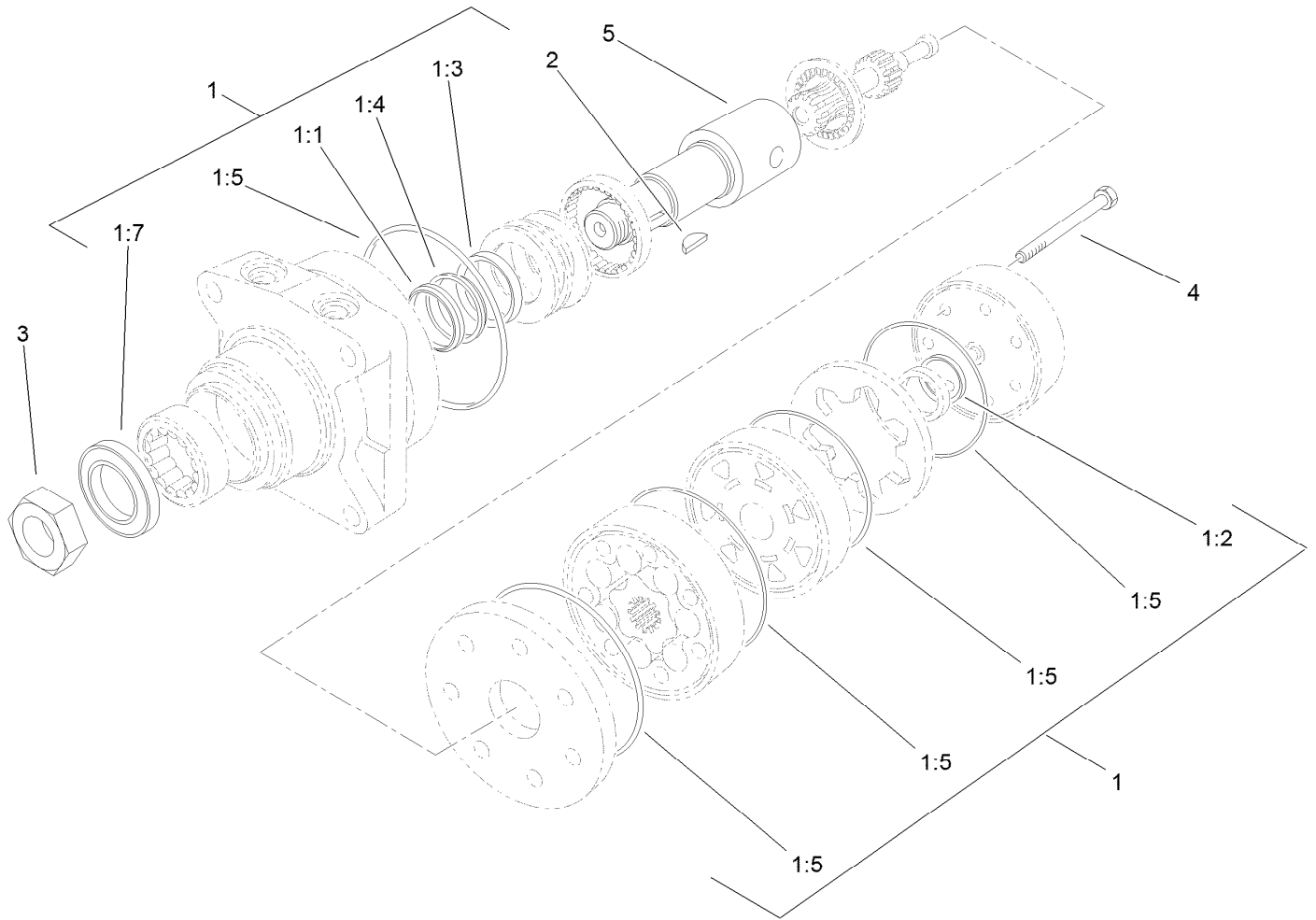


Traction Drive Assembly (continued)

<i>Ref.</i>	<i>Part Number</i>	<i>Qty.</i>	<i>Description</i>	<i>Ref.</i>	<i>Part Number</i>	<i>Qty.</i>	<i>Description</i>
1	114-3494	1	Element-Filter, 25 Micron	17:1	237-30	1	O-Ring
2	1-807272	2	Key	17:2	237-80	1	O-Ring
3	100-4887	2	Fitting-Elbow, 90	18	321-3	2	Screw-HH
3:1	237-42	1	O-Ring	19	325-10	8	Screw-HH
4	103-1807	1	Fitting-Barbed, 45 DEG	20	3232-3	4	Bolt-CARR
4:1	237-42	1	O-Ring	21	3241-5	4	Screw-Set
5	353-212	3	Fitting-Elbow, 45 DEG	22	3256-22	4	Washer-Flat
5:1	237-42	1	O-Ring	24	114-8417	4	Nut-HF, NI
6	103-1988	3	Clamp-Hose	25	32128-23	8	Nut-HF
7	104-1171	2	HYD Motor ASM	26	130-4559	2	Wheel And Tire ASM
8	104-7836	1	Head-Filter	26:1	130-4564	1	Rim-8 Inch, Gray
9	105-0800	2	Wheel Hub ASM	26:2	116-4606	1	Tire
9:2	10-6830	4	Stud-Type, Drive	26:3	232-27	1	Stem-Valve
10	105-5648	2	Pulley-Pump	27	242-50	8	Nut-Lug
11	107-8433	1	HYD Reservoir ASM	28	119-0173	4	HYD Hose ASM
11:1		1	Reservoir-HYD ●	29	119-8745	1	HYD Hose ASM
11:1:1	103-1948	1	Cap-Reservoir, HYD	30	119-0206	1	HYD Hose ASM
11:1:2	103-1949	1	Gasket-Cap	31	119-0203	1	HYD Hose ASM
11:2	115-4212	1	Decal-Warning	32	104-7201	2	Nut-HF
12	108-4056	1	Spring-Extension	33	321-6	2	Screw-HH
13	119-0176	1	Hydraulic Pump ASM	34	3290-378	1	Tie-Cable
14	119-0177	1	Hydraulic Pump ASM	35	103-1802	2	Fitting-Elbow, 90 DEG
15	117-7685	1	Pump Idler ASM	35:1	237-42	1	O-Ring
16	119-0174	1	Belt-V	36	3257-8	2	Key-Woodruff
17	119-8680	4	Fitting-Elbow, 90	37	85-7310	2	Nut-Motor, Wheel

● Not serviced separately

Hydraulic Motor Assembly 104-1171

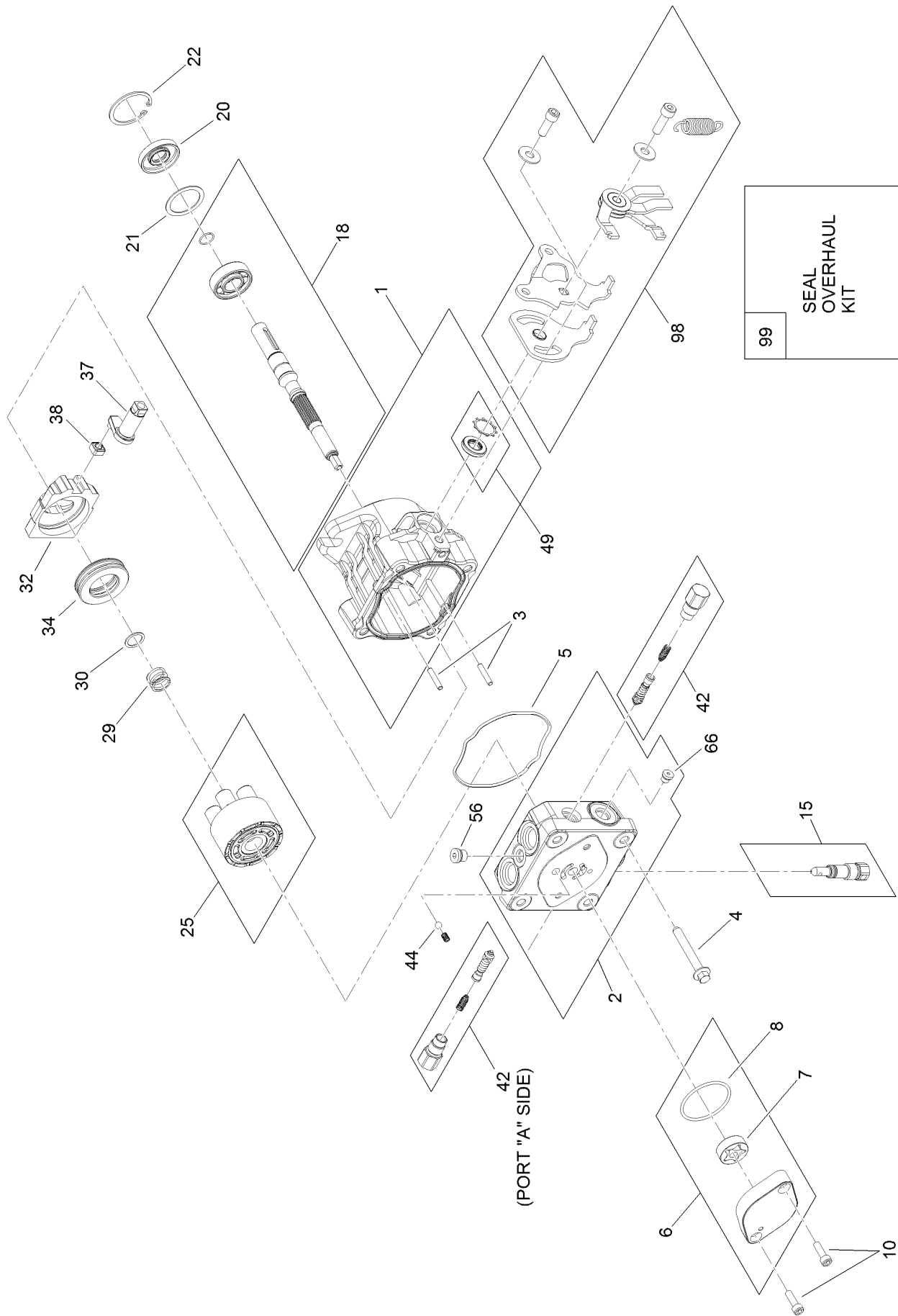


Hydraulic Motor Assembly 104-1171 (continued)

<i>Ref.</i>	<i>Part Number</i>	<i>Qty.</i>	<i>Description</i>	<i>Ref.</i>	<i>Part Number</i>	<i>Qty.</i>	<i>Description</i>
1	1-000119	1	Seal Kit	1:7		1	Seal-Dirt And Water ●
1:1		1	Ring-Back Up ●	2	3257-8	1	Key-Woodruff
1:2		1	Seal-Commutator ●	3	85-7310	1	Nut-Motor, Wheel
1:3		1	Seal-Shaft (Viton) ●	4	106-5549	6	Bolt-Special
1:4		1	Washer-Back Up (Steel) ●	5	106-8764	1	Shaft-Coupling
1:5		5	Ring-Seal (Viton) ●				

● Not serviced separately

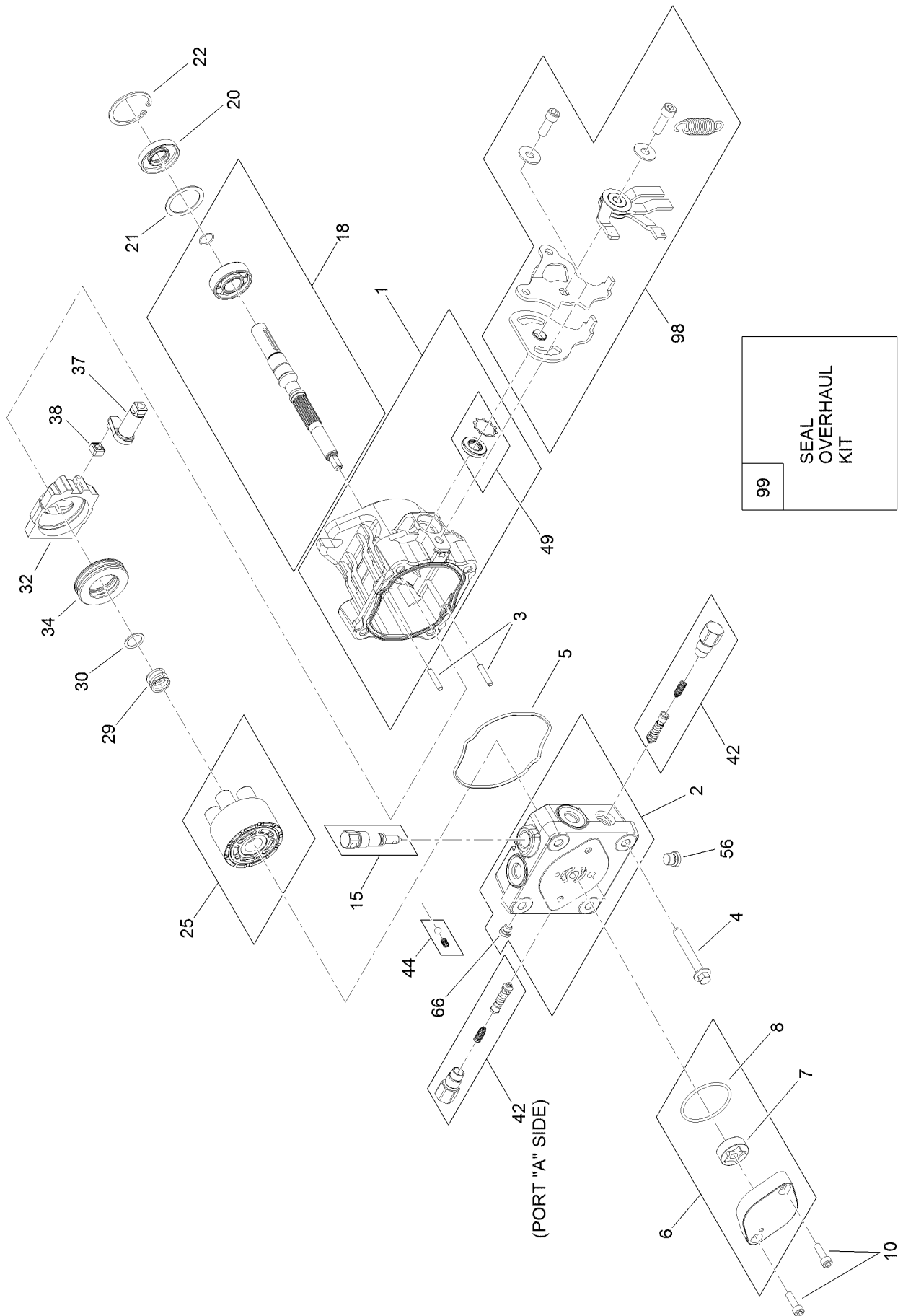
Hydraulic Pump Assembly No. 119-0177



Hydraulic Pump Assembly No. 119-0177 (continued)

<i>Ref.</i>	<i>Part Number</i>	<i>Qty.</i>	<i>Description</i>	<i>Ref.</i>	<i>Part Number</i>	<i>Qty.</i>	<i>Description</i>
1	115-4464	1	Housing Kit	29	94-1936	1	Spring-Block
2	119-0184	1	End Cap STD Charge Kit	30	94-1937	1	Washer-Thrust
3	106-8753	2	Pin-Headless, Straight	32	94-1907	1	Swashplate-Variable
4	106-8754	4	Bolt-HF	34	94-6922	1	Bearing-Thrust
5	106-8755	1	O-Ring	37	115-4458	1	Arm-Trunnion, Tapered Square
6	106-8756	1	Charge Pump Kit	38	94-1910	1	Guide-Slot
7	104-2122	1	Gerotor ASM	42	98-3252	2	Valve-Check (W/Poppet)
8	106-8757	1	O-Ring	44	112-4164	1	Charge Relief Kit
10	104-2111	2	Capscrew	49	106-8761	1	Trunnion Seal / Retainer Kit
15	106-8759	1	Bypass Valve Kit	56	106-8762	1	Plug-HSH
18	103-2664	1	Input Shaft Kit	66	106-8763	1	Plug-HSH
20	104-5310	1	Seal-Lip	98	115-4459	1	Return Kit
21	104-5308	1	Spacer	99	105-6184	1	Seal Overhaul Kit
22	104-5309	1	Ring-Retaining				
25	103-2666	1	Cylinder Block Kit				

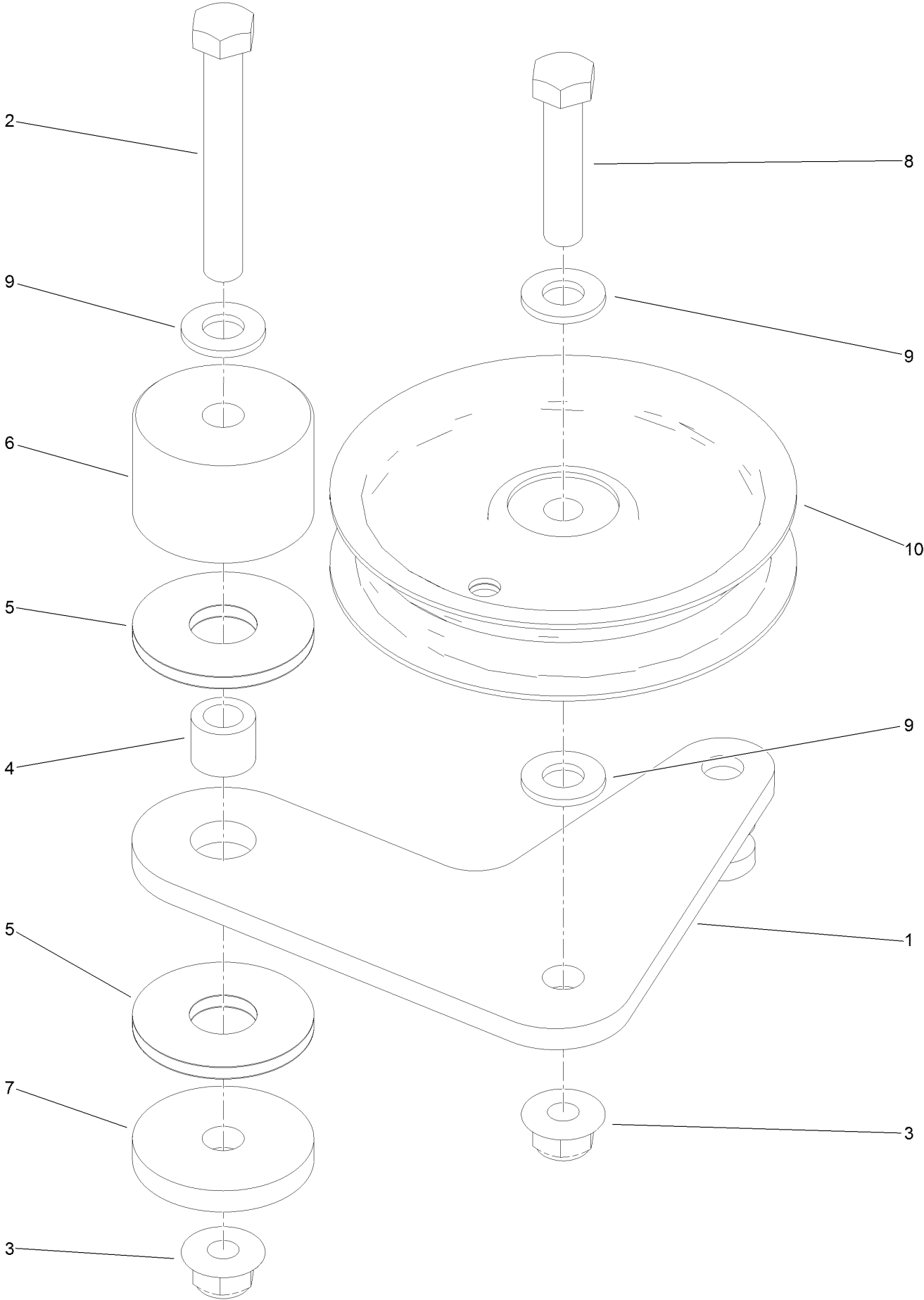
Hydraulic Pump Assembly No. 119-0176



Hydraulic Pump Assembly No. 119-0176 (continued)

<i>Ref.</i>	<i>Part Number</i>	<i>Qty.</i>	<i>Description</i>	<i>Ref.</i>	<i>Part Number</i>	<i>Qty.</i>	<i>Description</i>
1	115-4464	1	Housing Kit	29	94-1936	1	Spring-Block
2	119-0184	1	End Cap STD Charge Kit	30	94-1937	1	Washer-Thrust
3	106-8753	2	Pin-Headless, Straight	32	94-1907	1	Swashplate-Variable
4	106-8754	4	Bolt-HF	34	94-6922	1	Bearing-Thrust
5	106-8755	1	O-Ring	37	115-4458	1	Arm-Trunnion, Tapered Square
6	106-8756	1	Charge Pump Kit	38	94-1910	1	Guide-Slot
7	104-2122	1	Gerotor ASM	42	98-3252	2	Valve-Check (W/Poppet)
8	106-8757	1	O-Ring	44	112-4164	1	Charge Relief Kit
10	104-2111	2	Capscrew	49	106-8761	1	Trunnion Seal / Retainer Kit
15	106-8759	1	Bypass Valve Kit	56	106-8762	1	Plug-HSH
18	103-2664	1	Input Shaft Kit	66	106-8763	1	Plug-HSH
20	104-5310	1	Seal-Lip	98	115-4459	1	Return Kit
21	104-5308	1	Spacer	99	105-6184	1	Seal Overhaul Kit
22	104-5309	1	Ring-Retaining				
25	103-2666	1	Cylinder Block Kit				

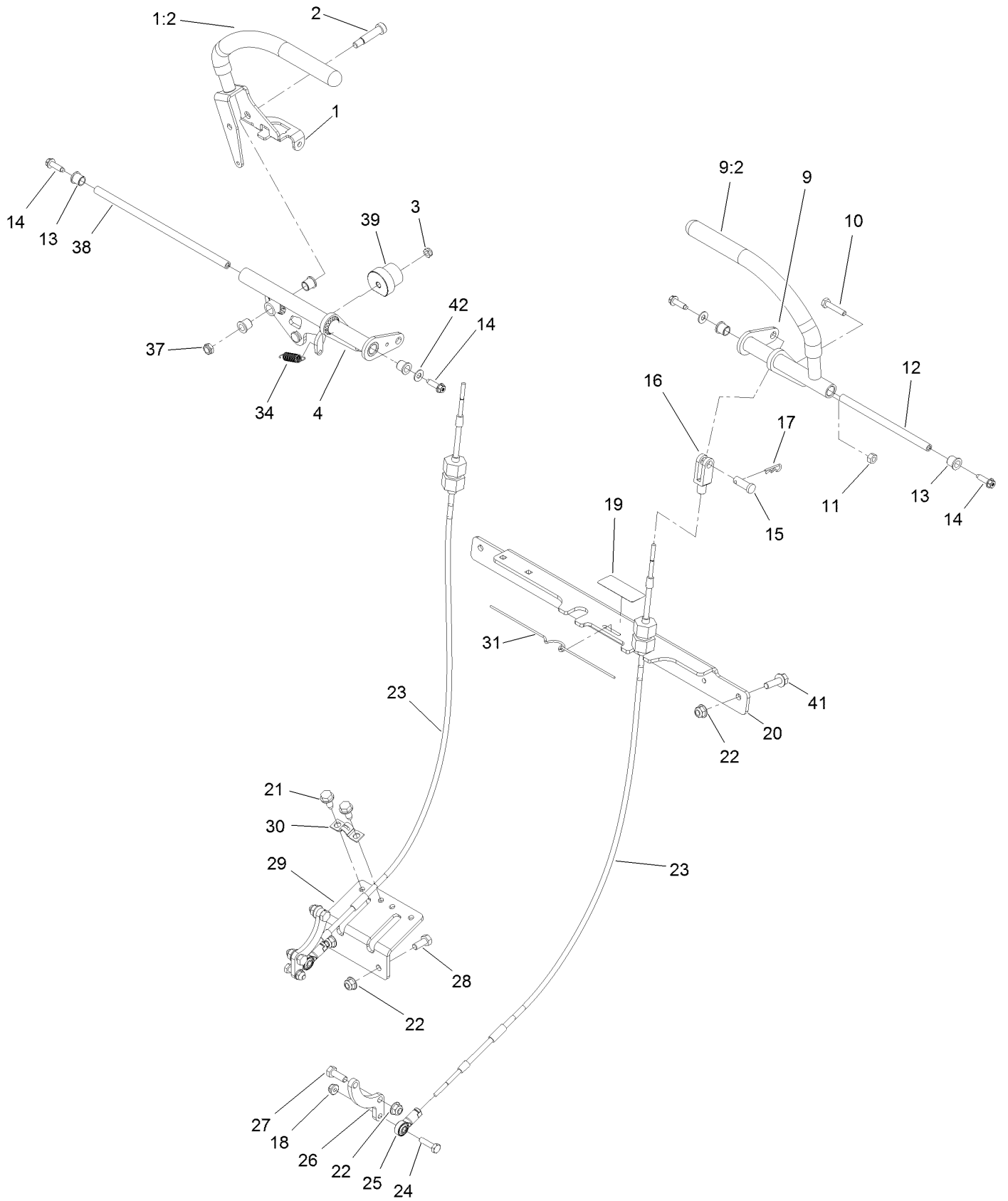
Pump Idler Assembly No. 117-7685



Pump Idler Assembly No. 117-7685 (continued)

<i>Ref.</i>	<i>Part Number</i>	<i>Qty.</i>	<i>Description</i>	<i>Ref.</i>	<i>Part Number</i>	<i>Qty.</i>	<i>Description</i>
1	117-7684	1	Plate-Idler	6	116-7599	1	Hub, Idler
2	323-13	1	Screw-HH	7	110-9981	1	Washer-Plain
3	104-8301	2	Nut-HF, NI	8	323-9	1	Screw-HH
4	1-413088	1	Bushing-Lever, Lift	9	3256-24	3	Washer-Flat
5	114-0463	2	Washer-Friction, Composite	10	93-1622	1	Pulley-Idler

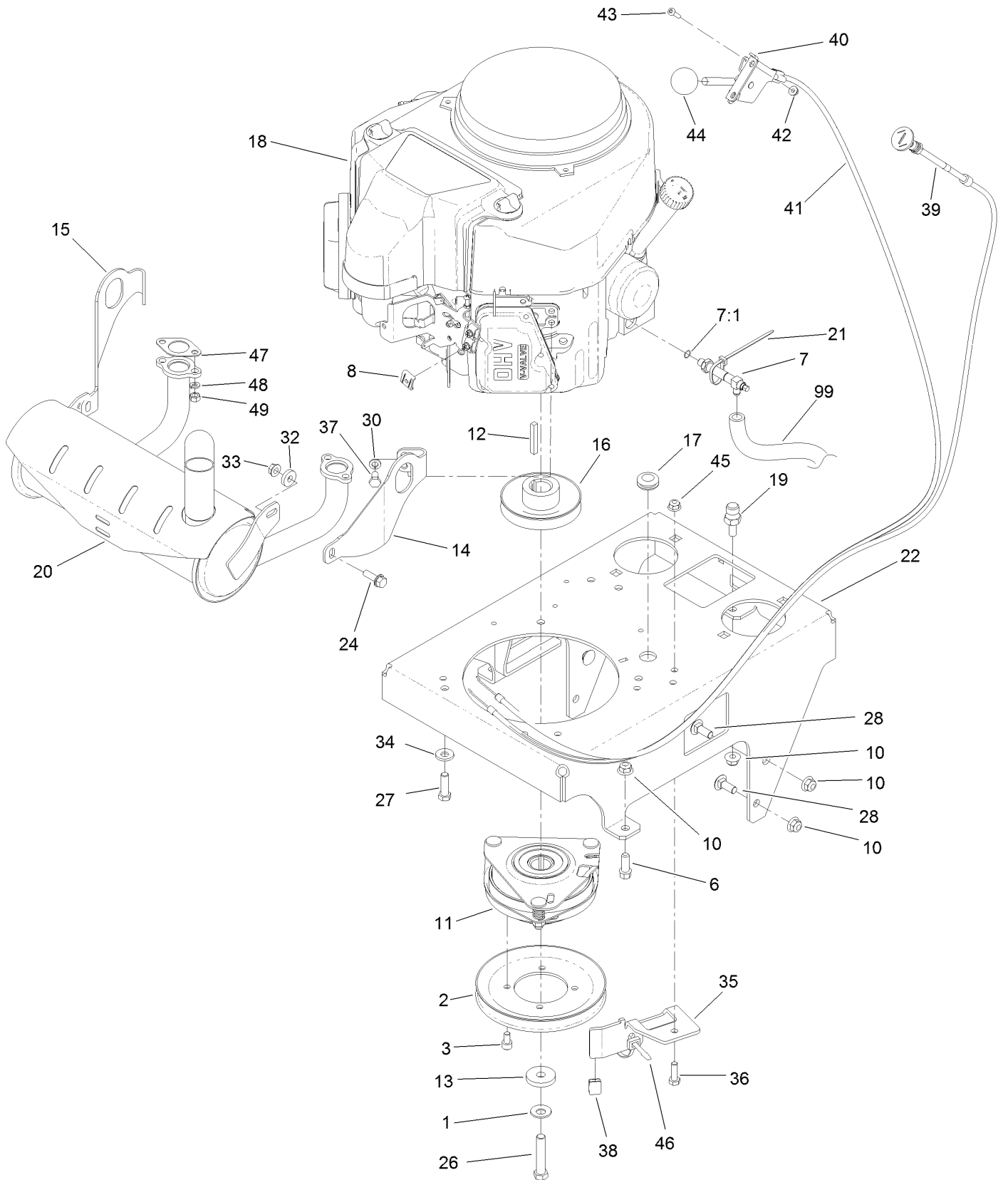
Motion Control Assembly



Motion Control Assembly (continued)

<i>Ref.</i>	<i>Part Number</i>	<i>Qty.</i>	<i>Description</i>	<i>Ref.</i>	<i>Part Number</i>	<i>Qty.</i>	<i>Description</i>
1	120-8393	1	RH Lever ASM	21	32144-70	4	Screw-HWHTF
1:2	119-0222	1	Grip	22	104-8300	8	Nut-HF, NI
2	114-0239	1	Screw-HSH	23	117-6225	2	Cable ASM
3	3296-56	1	Nut-Lock, NI	24	321-6	2	Screw-HH
4	131-7403	1	RH Motion Control ASM	25	117-6222	2	Rod End-Ball Joint
9	125-4671	1	LH Motion Control ASM	26	117-6204	2	Arm-Control, Pump
9:2	119-0222	1	Grip	27	322-4	4	Screw-HH
10	114-0282	2	Screw-HH	28	322-3	2	Screw-HH
11	3217-5	2	Nut-Hex	29	117-6238-01	1	Bracket-Clamp, Cable
12	119-1885	1	Shaft-Pivot, Motion Control	30	93-2279	2	Clamp-Cable
13	103-9928	6	Bearing	31	114-0433	1	Clip-Spring
14	80-0700	4	Screw-HH, Torx	34	114-0249	1	Spring-Extension
15	1-808284	2	Pin-Clevis	37	3296-47	1	Nut-Lock, NI
16	119-1869	2	Yoke-Female	38	119-1886	1	Shaft-Pivot
17	3290-307	2	Pin-Cotter	39	126-1499	1	Cam
18	104-7201	2	Nut-HF	41	3234-29	2	Screw-HHF
19	119-1854	1	Decal-Tracking, Hydro	42	3256-1	2	Washer-Flat
20	117-6239-01	1	Bracket-Cross				

Engine Assembly



Engine Assembly (continued)

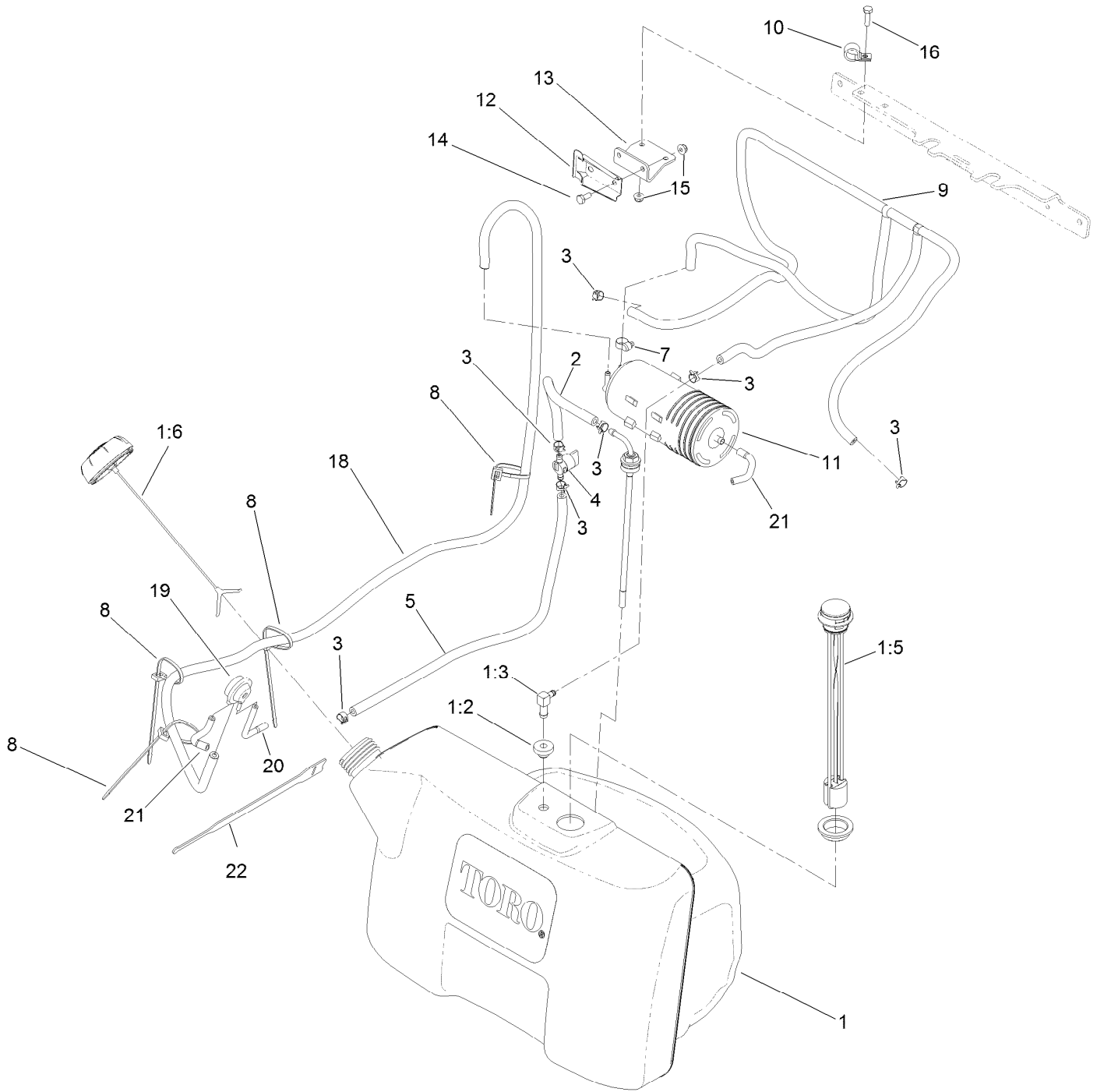
<i>Ref.</i>	<i>Part Number</i>	<i>Qty.</i>	<i>Description</i>	<i>Ref.</i>	<i>Part Number</i>	<i>Qty.</i>	<i>Description</i>
1	1-603610	1	Washer-Spring	24	3234-29	2	Screw-HHF
2	119-0215	1	Pulley	26	3212-9	1	Screw-HH
3	119-0221	4	Screw-HSH	27	323-7	4	Screw-HH
6	92-1624	2	Screw-HWH	28	3231-2	4	Bolt-CARR
7	116-6126	1	Valve-Drain Oil	30	3253-4	4	Washer-Lock
7:1	138-4636	1	O-Ring	32	104-7658	2	Spacer
8	81-1690	1	Clamp-Cable	33	32128-25	2	Nut-HF
10	104-8301	7	Nut-HF, NI	34	98-5975	3	Washer-Belleville
11	119-0220	1	Clutch/Brake ASM	35	121-5984-03	1	Bracket-Clutch Stop
12	608006	1	Key-Square	36	322-5	1	Screw-HH
13	107-4136	1	Washer	37	33114-016	4	Screw-HH
14	127-1901	1	Bracket-Muffler, LH	38	109-3765	1	Bumper
15	127-1902	1	Bracket-Muffler, RH	39	106-9962	1	Control-Choke, Push / Pull
16	112-7067	1	Pulley	40	110-5547	1	Lever-Control
17	112-7069	1	Grommet	41	119-1882	1	Cable-Control
18		1	Engine-Kawasaki, Fs541V ■▲	42	32128-17	2	Nut-Lock, Flange
18:1	92-2153	1	Spark Plug ●	43	1-807533	2	Bolt-CARR
18:2	119-5852	1	Filter-Oil ●	44	1-603175	1	Knob-Ball
18:3	120-2235	1	Filter-Fuel ●	45	104-8300	1	Nut-HF, NI
18:4	120-7447	1	Element-Filter, Air ●	46	3290-378	2	Tie-Cable
19	132-4729	1	Anchor-Spring, Short	47	1-653313	2	Gasket-Exhaust
20	131-1183	1	Muffler	48	114-3550	4	Washer-Lock
21	3290-378	1	Tie-Cable	49	114-3549	4	Nut
22	119-0155-01	1	Base-Engine	99	103-1964	1	Hose-Drain, Oil

● Not illustrated

▲ Obtain parts from www.kawpowerepc.com

■ Not serviced separately

Fuel Tank Assembly



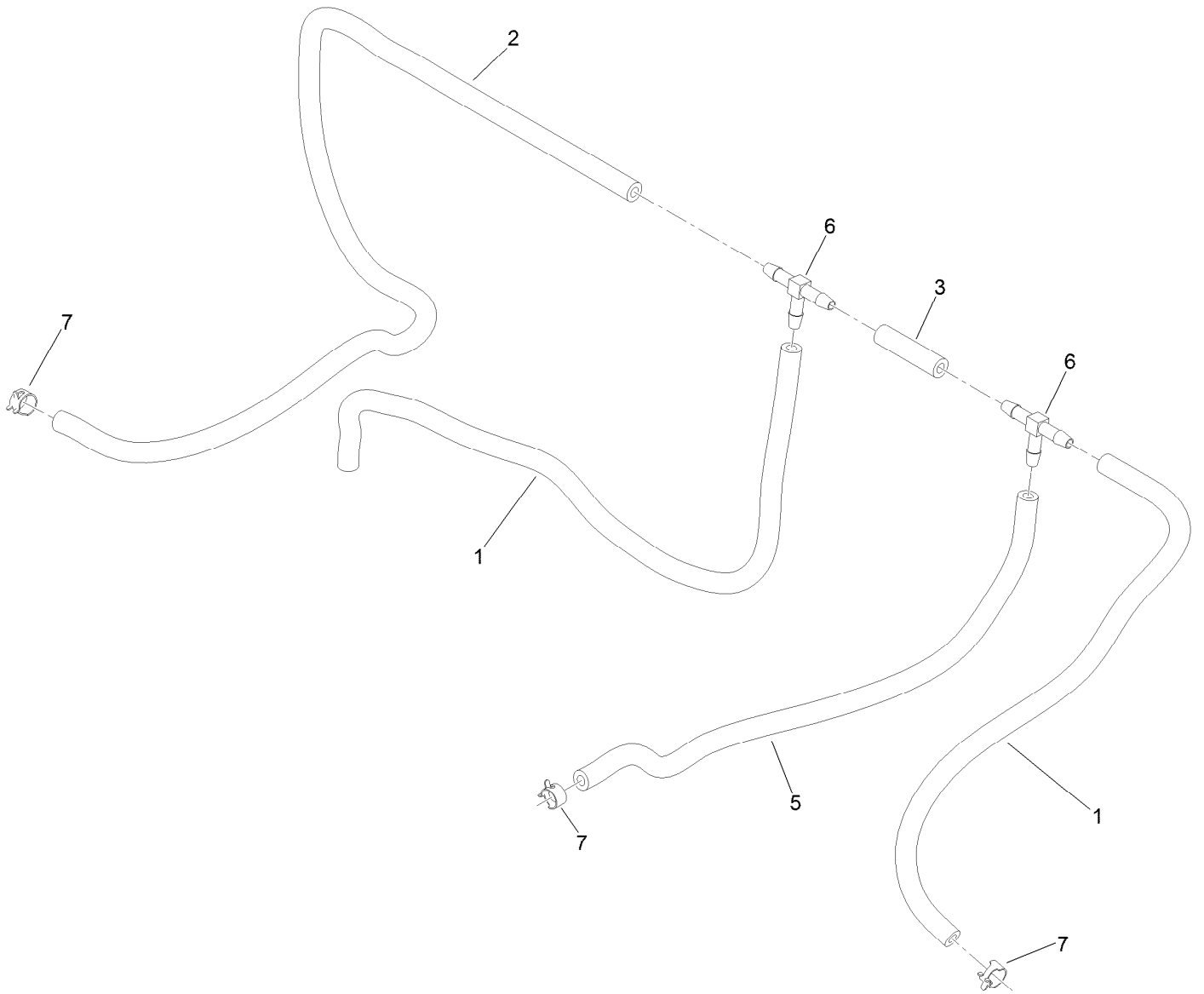
Fuel Tank Assembly (continued)

<i>Ref.</i>	<i>Part Number</i>	<i>Qty.</i>	<i>Description</i>	<i>Ref.</i>	<i>Part Number</i>	<i>Qty.</i>	<i>Description</i>
1	135-0650	1	Tank ASM	9		1	Vent Hose ASM ■
1:2	46-6560	3	Bushing	10	2412-87	3	Clamp-Cable
1:3	1-643172	3	Elbow-90 DEG	11	117-1221	1	Canister-Carbon, 800Cc
1:5	126-1789	1	Cap-Fuel, Ratcheting	12	114-0292	1	Bracket-Canister, Carbon
1:6	116-3408	1	Fitting-Fuel, Bulkhead	13	119-0207-01	1	Bracket-Canister
1:99	126-6924	1	Fuel Gage Replacement Kit ●	14	321-3	2	Screw-HH
2	109-0297	1	Hose-Fuel	15	104-7201	4	Nut-HF
3	2412-98	4	Clamp-Hose	16	321-5	2	Screw-HH
4	1-603770	1	Valve-Fuel	18	120-6446	1	Hose-Fuel
5	109-0301	1	Hose-Fuel	19	116-2232	1	Valve-Control, Vacuum
7	2412-108	1	Clamp-Worm	20	119-8501	1	Hose-Vent, Formed
8	3290-378	4	Tie-Cable	21	119-8502	2	Hose-Vent, Formed
				22	116-2469	1	Strap-Velcro, Cable Tie

● Not illustrated

■ Not serviced separately

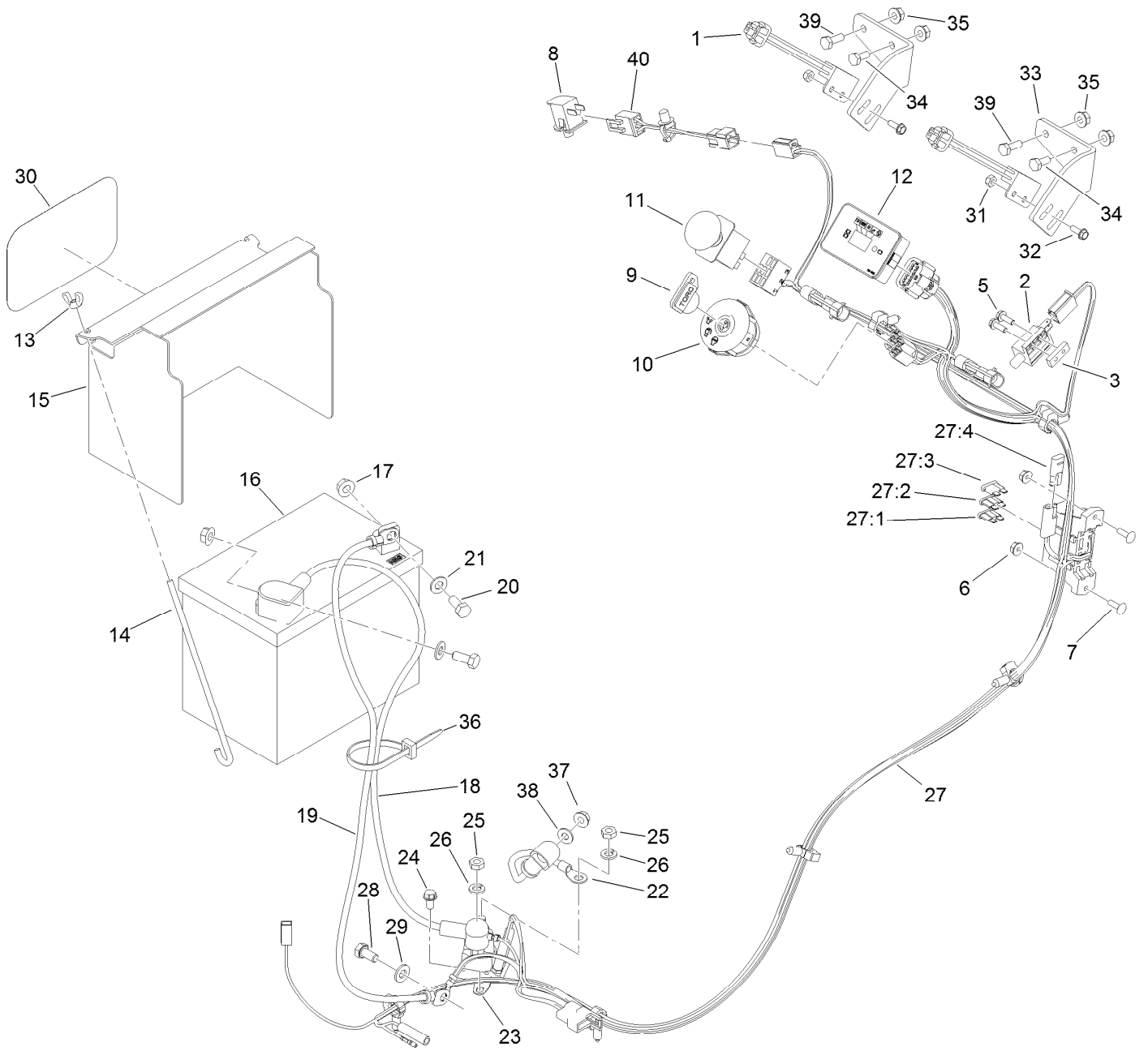
Vent Hose Assembly



Vent Hose Assembly (continued)

<i>Ref.</i>	<i>Part Number</i>	<i>Qty.</i>	<i>Description</i>	<i>Ref.</i>	<i>Part Number</i>	<i>Qty.</i>	<i>Description</i>
1	110-5701	2	Hose-Fuel	5	109-0296	1	Hose-Fuel
2	110-5702	1	Hose-Fuel	6	99-5005	2	Fitting-Tee, Barbed
3	99-9415	1	Hose-Fuel	7	2412-98	3	Clamp-Hose

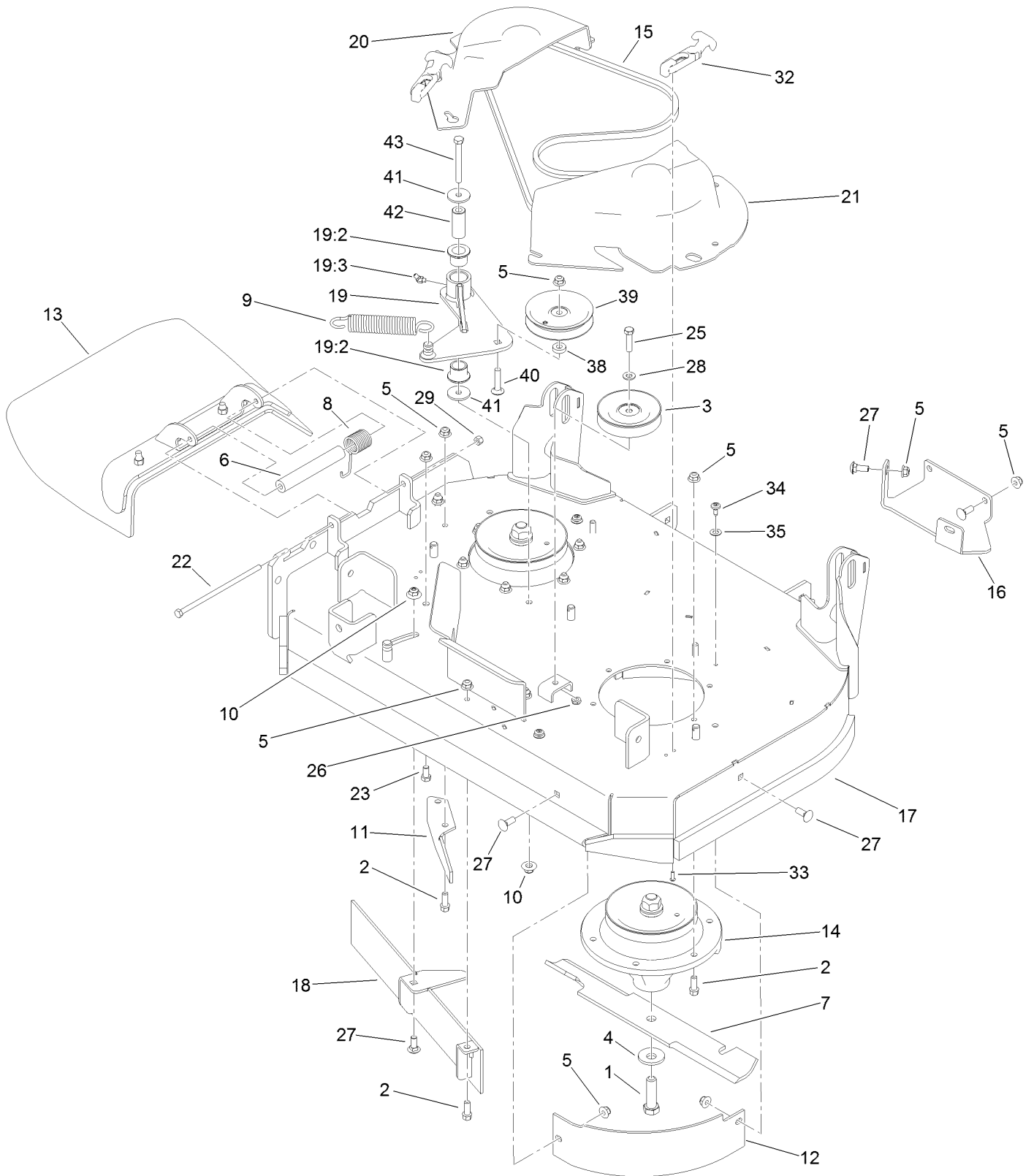
Electrical Assembly



Electrical Assembly (continued)

<i>Ref.</i>	<i>Part Number</i>	<i>Qty.</i>	<i>Description</i>	<i>Ref.</i>	<i>Part Number</i>	<i>Qty.</i>	<i>Description</i>
1	105-0023	2	Switch-Proximity	24	32144-4	2	Screw-HWH
2	1-513152	1	Switch-Closed, Normally	25	3220-2	2	Nut-Jam
3	1-633181	1	Plate-Tapped	26	3253-4	2	Washer-Lock
5	32105-2	2	Screw-SHWH	27	119-0181	1	Harness-Wire
6	32128-17	2	Nut-Lock, Flange	27:1	109103	1	Fuse-Blade, 30 Amp
7	1-807533	2	Bolt-CARR	27:2	109102	1	Fuse-Blade, 25 Amp
8	82-2190	1	Switch-Bail	27:3	218-578	1	Fuse-Blade, 10 Amp
9	63-8360	1	Key-Ignition	27:4	116-0053	1	Cap-Plug
10	137-4101	1	Switch-Ignition	28	33114-016	1	Screw-HH
11	114-0279	1	Switch-PTO, On-On	29	33094-00	1	Washer-Plain
12	117-3886	1	Module-Hour Meter	30	68-3640	1	Decal
13	1-543792	2	Wingnut	31	3296-2	4	Nut-Lock, NI
14	1-633651	2	Bolt-Holddown	32	32105-23	4	Screw
15	117-0543-01	1	Cover-Battery	33	119-8503-01	2	Bracket-Mount, Switch
16	104-8162	1	Battery-Dry	34	321-3	2	Screw-HH
17	109-5715	2	Nut-HHF, Smooth	35	32128-32	4	Nut-HHF
18	120-6442	1	Cable-Battery, Positive	36	3290-378	1	Tie-Cable
19	103-0705	1	Cable-Ground, Negative	37	32128-33	1	Nut-HF
20	322-3	2	Screw-HH	38	3256-22	1	Washer-Flat
21	3256-23	2	Washer-Plain	39	321-4	2	Screw-HH
22	106-8268	1	Cable-Battery, Red	40	130-1779	1	Harness-Wire, Jumper (OPC)
23	117-1197	1	Solenoid				

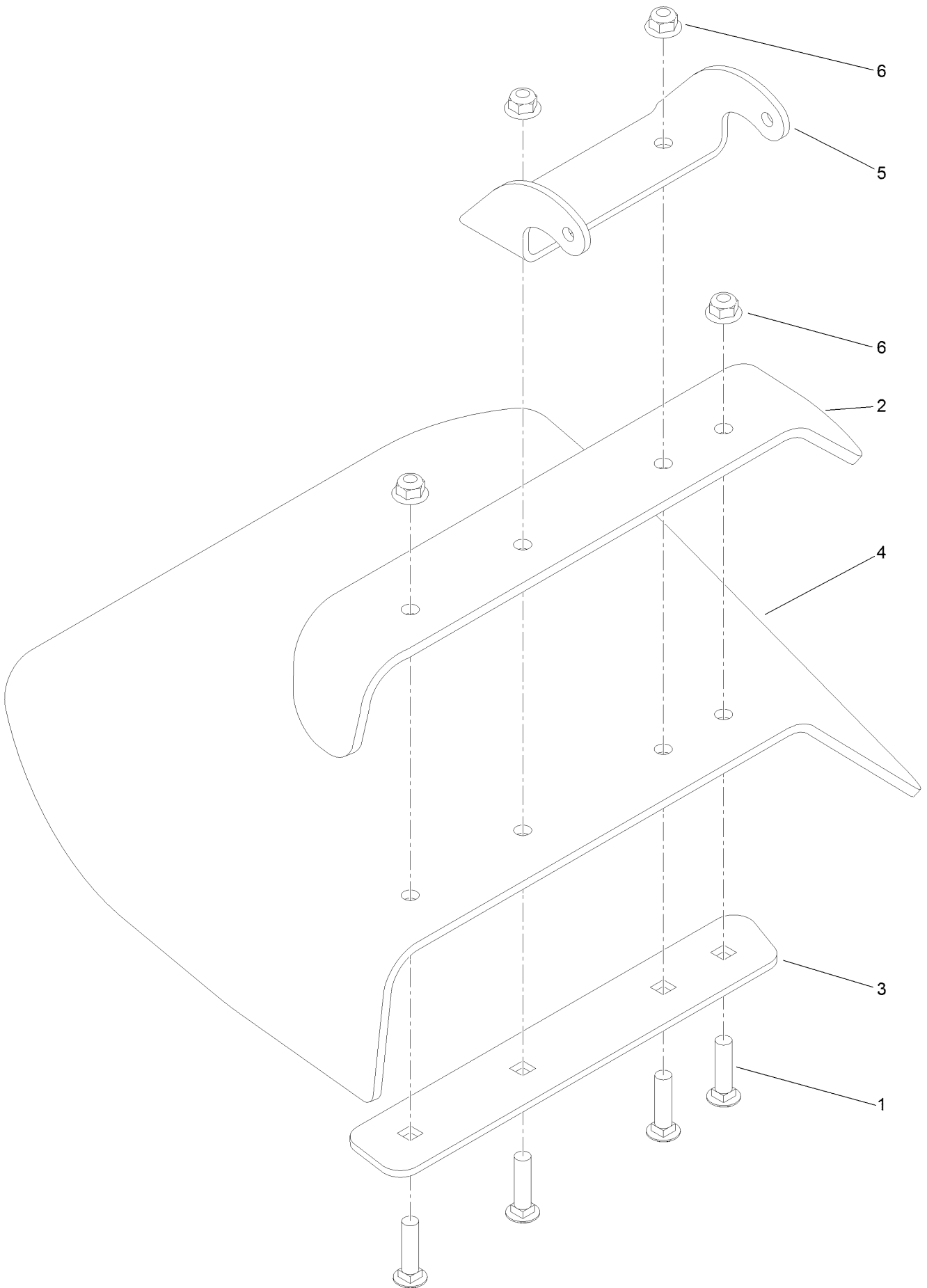
Deck Assembly



Deck Assembly (continued)

<i>Ref.</i>	<i>Part Number</i>	<i>Qty.</i>	<i>Description</i>	<i>Ref.</i>	<i>Part Number</i>	<i>Qty.</i>	<i>Description</i>
1	51-4060	2	Screw-Blade	19:3	302-11	1	Fitting-Lube, 45 DEG
2	92-1624	15	Screw-HWH	20	119-1802	1	Cover-Belt, RH
3	92-7099	1	Pulley-Idler	21	119-1803	1	Cover-Belt, LH
4	103-0865	2	Washer-Blade Bolt, Heavy	22	322-50	1	Screw-HH
5	104-8301	25	Nut-HF, NI	23	323-4	2	Screw-HH
6	105-4622	1	Spacer	25	323-8	1	Screw-HH
7	105-7781-03	2	Blade-18In, Hi Flow	26	3296-59	1	Nut-Lock, NI
8	108-4052	1	Spring-Torsion	27	3231-2	7	Bolt-CARR
9	119-0394	1	Spring-Extension	28	3256-24	1	Washer-Flat
10	109-6658	2	Nut-Flange, NI	29	3296-29	1	Nut-Lock, NI
11	110-0754-01	1	Baffle-Discharge	32	103-4080	2	Latch-Rubber
12	110-6903-03	1	Baffle-Front, LH	33	3274-39	4	Screw-HSBH
13	119-2347	1	Deflector ASM	34	120-7950	4	Screw-Shoulder
14	117-7638	2	Spindle ASM	35	73-0041	4	Washer-Thrust
15	117-7641	1	Belt-V	38	5-0652	1	Spacer
16	117-7687-01	1	Plate-Skid	39	93-1622	1	Pulley-Idler
17	121-6015	1	Deck And Decal ASM	40	3231-5	1	Screw-CARR
18	119-0153-03	1	Front Baffle ASM	41	1-213069	2	Washer
19	119-0180	1	Idler Arm ASM	42	119-0208	1	Spacer-Plain
19:2	33-3090	2	Bushing	43	323-20	1	Screw-HH

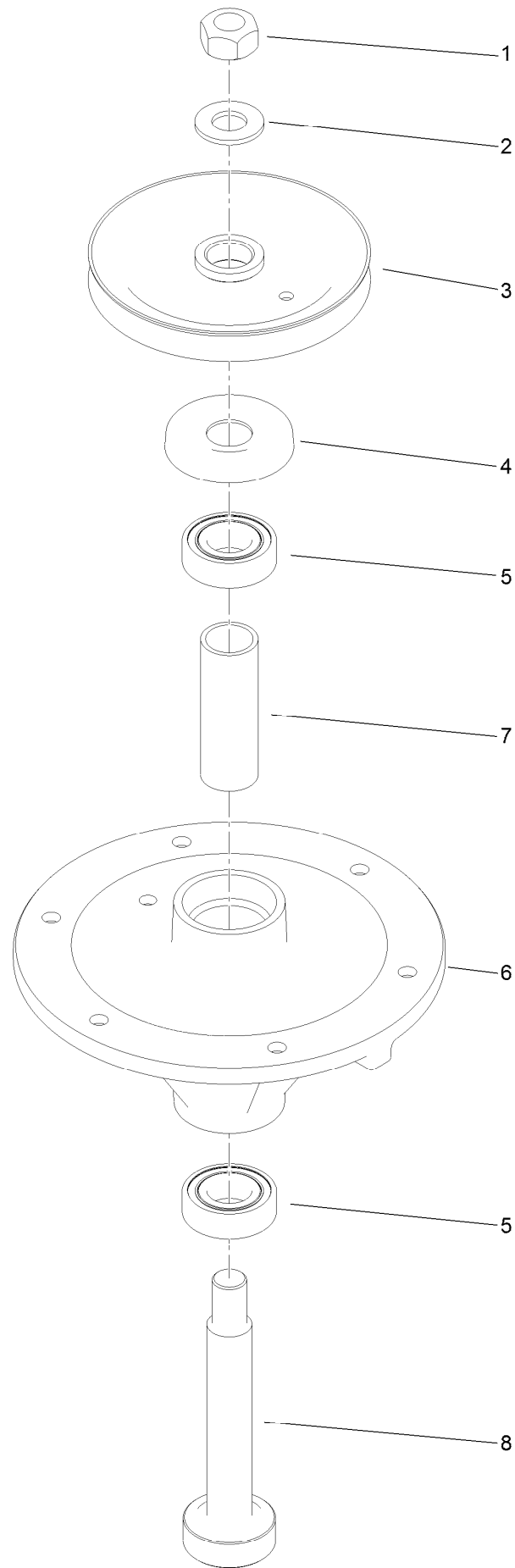
Deflector Assembly No. 119-2347



Deflector Assembly No. 119-2347 (continued)

<i>Ref.</i>	<i>Part Number</i>	<i>Qty.</i>	<i>Description</i>	<i>Ref.</i>	<i>Part Number</i>	<i>Qty.</i>	<i>Description</i>
1	3231-4	4	Screw-CARR	4	119-2346	1	Deflector-Rubber
2	110-0792-01	1	Deflector	5	110-9923-01	1	Bracket-Mounting, Deflector
3	110-0793-03	1	Strap-Discharge	6	104-8301	4	Nut-HF, NI

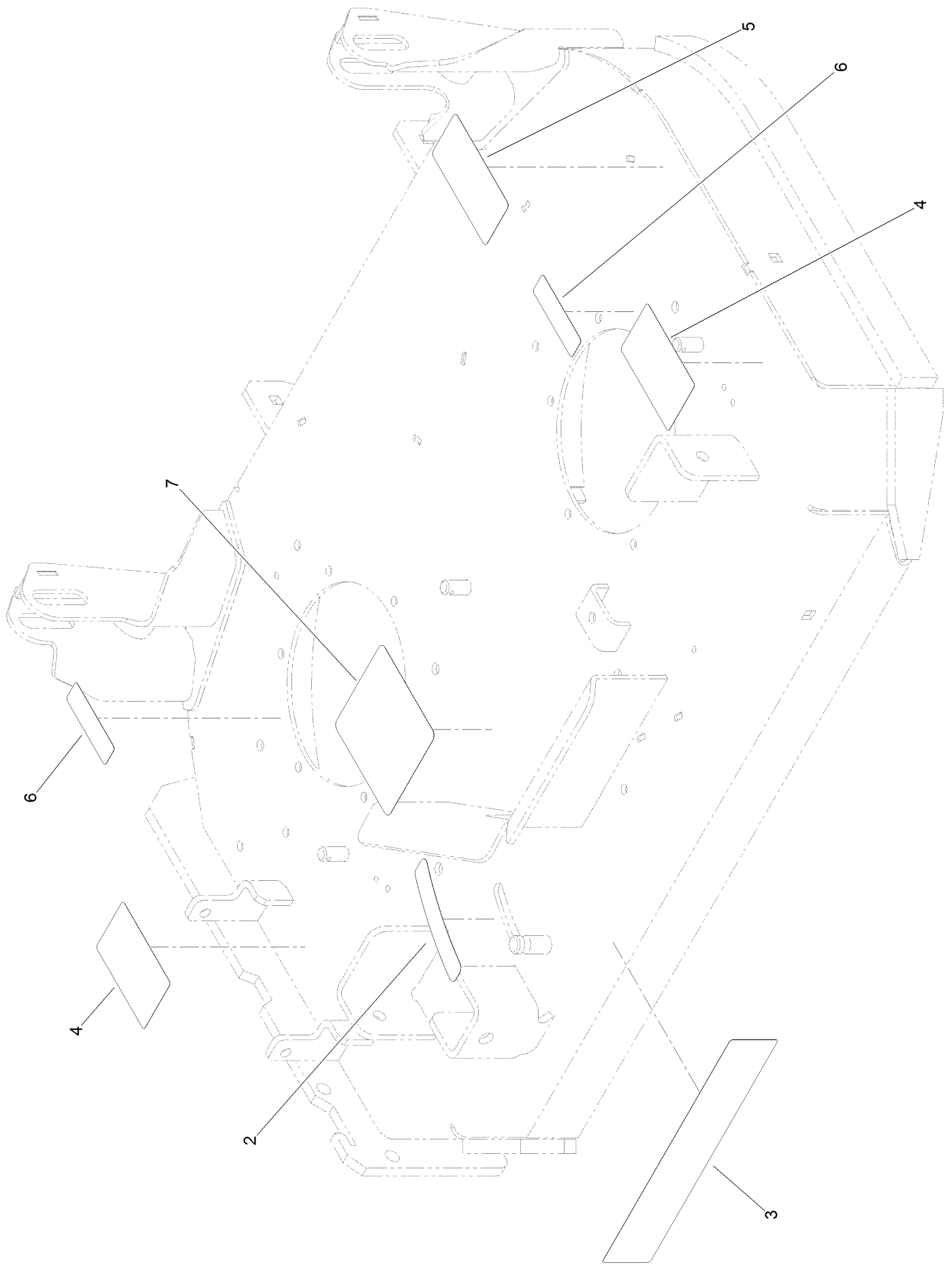
Spindle Assembly No. 117-7638



Spindle Assembly No. 117-7638 (continued)

<i>Ref.</i>	<i>Part Number</i>	<i>Qty.</i>	<i>Description</i>	<i>Ref.</i>	<i>Part Number</i>	<i>Qty.</i>	<i>Description</i>
1	3219-7	1	Nut-Hex	5	116-0720	2	Bearing-Ball
2	7-4150	1	Washer	6	108-6696	1	Housing-Spindle
3	117-7614	1	Pulley	7	110-0727	1	Spacer-Bearing
4	106-0873	1	Shield-Bearing	8	110-0726	1	Shaft-Spindle

Deck Decal Assembly No. 121-6015



Deck Decal Assembly No. 121-6015 (continued)

<i>Ref.</i>	<i>Part Number</i>	<i>Qty.</i>	<i>Description</i>	<i>Ref.</i>	<i>Part Number</i>	<i>Qty.</i>	<i>Description</i>
2	110-2067	1	Decal-Setting, Baffle	5	93-7818	1	Decal-Torque, Blade Bolt
3	119-0197	1	Decal	6	119-0217	2	Decal-Danger
4	121-6049	2	Decal-Danger	7	119-0186	1	Decal-Routing, Belt

Attachments and Accessories

For 79534 GrandStand Mower With 36in TURBO FORCE Cutting Unit

Product Name	Model/Part
Soft Bag (3 Bushel).....	30104
Bagger Adaptor Kit	121-7515
Light Kit.....	114-3505
Weight Kit	117-3620
Trash Bag Kit	121-7530
Operator-Controlled Discharge Chute Kit with Bag	117-8565
Striping Kit	117-8560
36in Recycler Kit.....	110-2080
Spark Arrestor	98-9099
Blade-Lo Flow, 18in (6 Pack)	110-0406
Blade-Med Flow, 18in (6 Pack)	110-0409
Blade-Hi Flow, 18in (6 Pack).....	108-1117
MVP Filter, Belt and Blade Kit	127-1646
Blade-Recycler, 18in (6 Pack).....	110-0408
Blade-Atomic, 18in (6 Pack)	108-1118
Element-Filter, Air	120-7447
Hypr-Oil 500 (quart).....	114-4713
Hypr-Oil 500 (gallon).....	114-4714
Hypr-Oil 500-5 (5 gallon).....	114-4715
Oil Filter	119-5852
Spark Plug	92-2153

Notes:



Count on it.