



**Count on it.**

**Parts Catalog**

**TimeCutter® HD MyRide 48in  
Riding Mower**

Model No. 75210—Serial No. 404314000 and Up



# Ordering Replacement Parts

To order replacement parts, please supply the part number, the quantity, and the description of each part desired.

## Understanding Reference Numbers

Each identified part in an illustration has a reference number. The reference number for a part also appears in the parts list, along with other information about the part.

This catalog uses two special reference number formats, one to indicate parts in a service assembly and another to indicate the quantity of a given part in an illustration.

## Service Assembly Reference Numbers

Parts in service assemblies have reference numbers in the form a:b. The a represents the reference number of the entire service assembly and the b represents a sequential number unique to each part within the service assembly.

For example, a wheel assembly might be identified by reference number 6, the tire by 6:1, the valve by 6:2, and the wheel by 6:3. When you order the assembly identified by reference number 6, you receive all parts identified by reference numbers 6:1, 6:2, and 6:3. However, you may also order any part individually. Reference numbers of this type appear in illustration and in parts lists.

## Reference Numbers Indicating Quantity

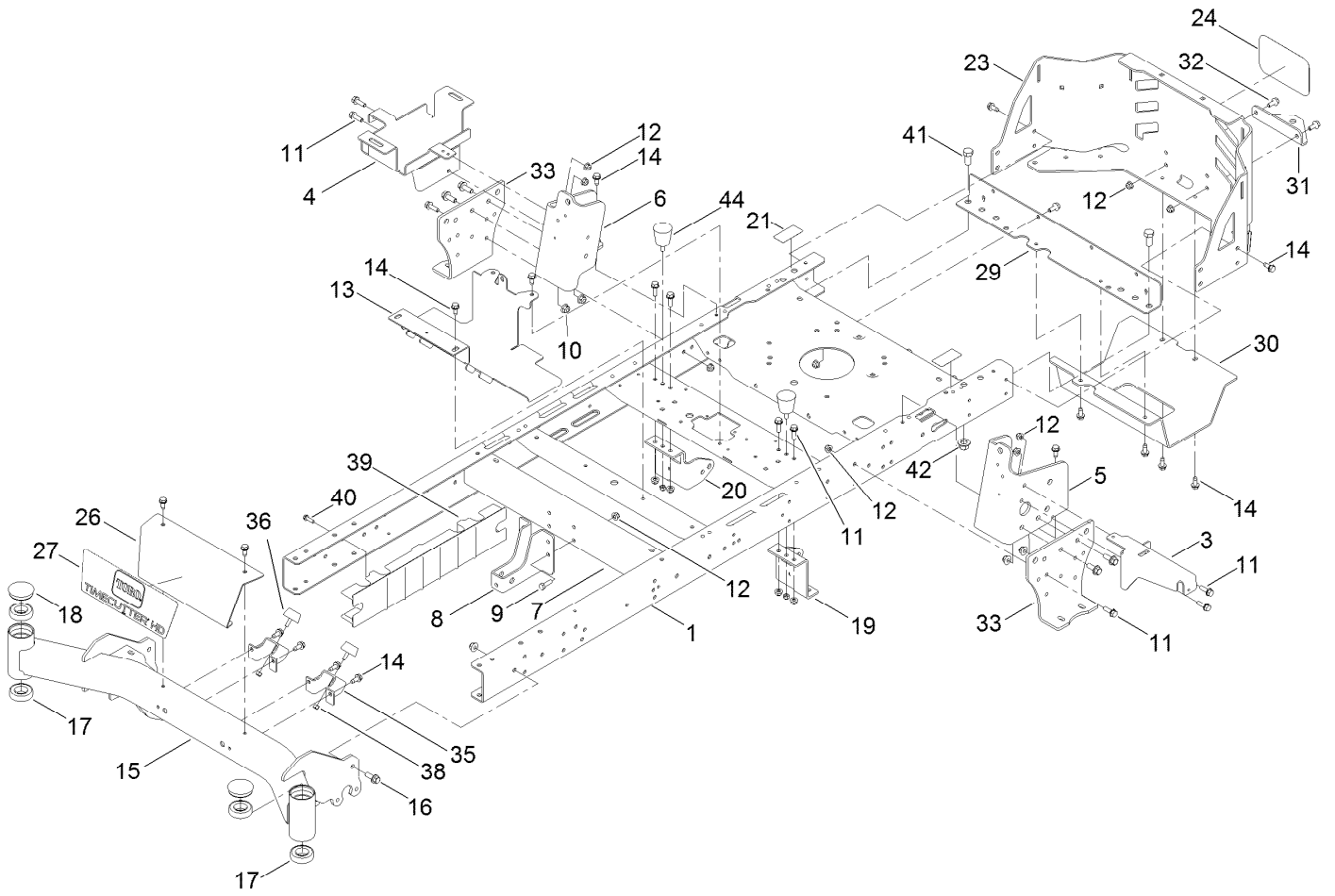
In an illustration, if a reference number indicates more than one part, the reference number has the form nX y. The n represents the quantity of the part, the X is the multiplication symbol, and the y represents the reference number.

For example, in an illustration, the reference number 2X 37 means that two of the parts identified by reference number 37 are indicated.

# Contents

Frame Assembly . . . . .	4
Deck Lift Assembly . . . . .	6
Caster Fork Assembly . . . . .	8
Hydro Transmission Assembly . . . . .	10
LH Transaxle Assembly No. 133-4420 . . . . .	12
RH Transaxle Assembly No. 133-4421 . . . . .	14
Parking Brake Assembly . . . . .	16
Rear Tire and Wheel Assembly . . . . .	18
Seat Pan Assembly . . . . .	20
Seat Assembly No. 139-2367 . . . . .	22
Motion Control Assembly . . . . .	24
Engine and Muffler Assembly . . . . .	26
Body Styling and Fuel Tank Assembly . . . . .	28
Fuel Tank Assembly No. 133-4484 . . . . .	30
Electrical Assembly . . . . .	32
Deck Assembly . . . . .	34
Deck Decal Assembly No. 133-7066 . . . . .	36
Model Specific Decal Assembly . . . . .	38
Maintenance, HOC and Smart Speed Decal Assembly . . . . .	40
Clutch Assembly . . . . .	42
Attachments and Accessories . . . . .	44

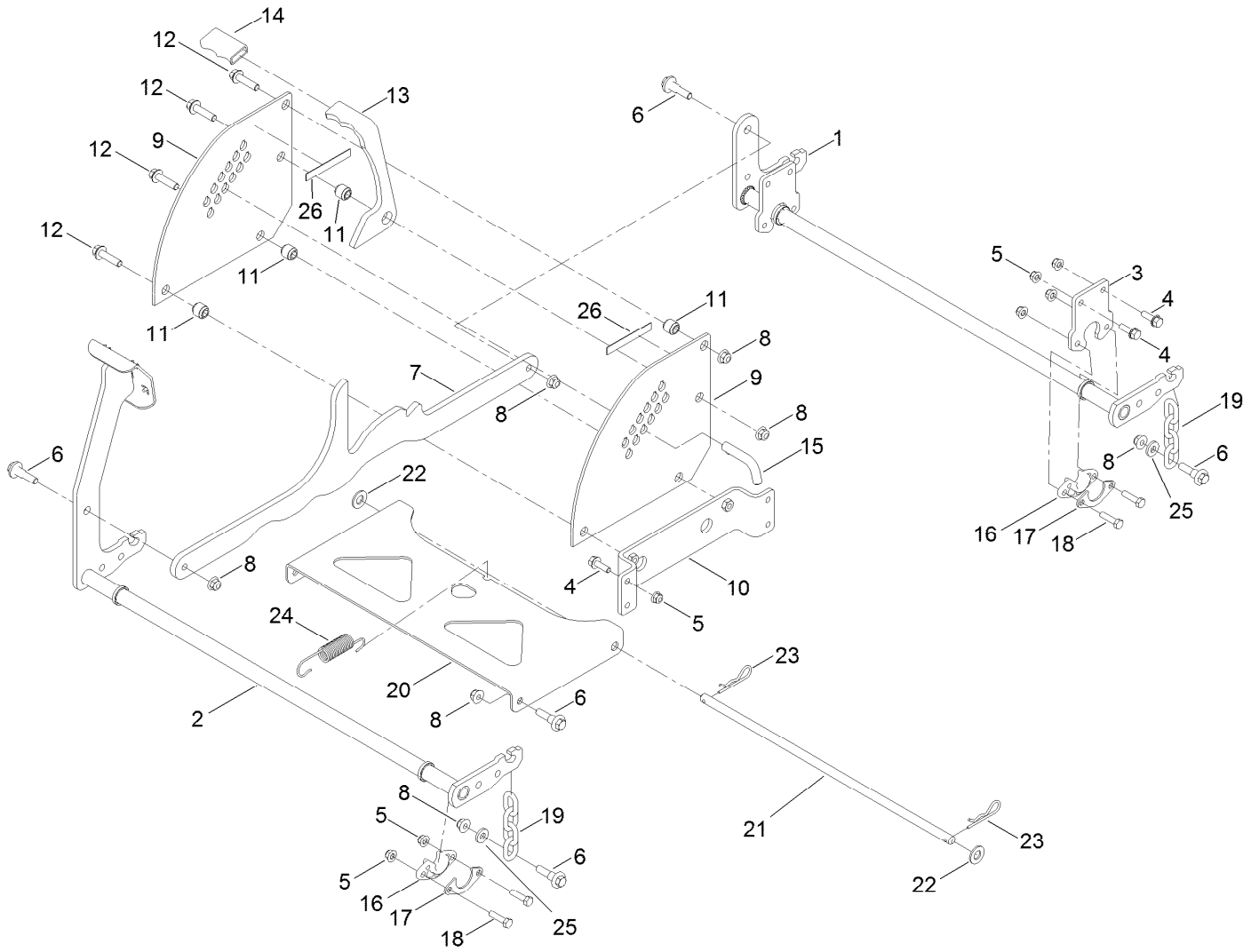
# Frame Assembly



## Frame Assembly (continued)

<i>Ref.</i>	<i>Part Number</i>	<i>Qty.</i>	<i>Description</i>	<i>Ref.</i>	<i>Part Number</i>	<i>Qty.</i>	<i>Description</i>
1	137-7023-01	1	Frame ASM	20	137-7020-01	1	Mount-Hydro, Front (Right)
3	133-7051-03	1	Bracket-Support, Pod (LH)	21	121-2989	2	Decal-Bypass
4	136-4185-03	1	Tray-Battery	23	133-4431-03	1	Guard-Engine
5	137-5068-01	1	Bracket-Mounting, LH	24	99-4693	1	Decal
6	137-5069-01	1	Bracket-Mounting, RH	26	133-9345-01	1	Plate-Front
7	133-4413-01	1	Brace-Cross, Lower	27	136-7472	1	Decal-Timecutter HD
8	137-7022-01	1	Bracket-Mount Damper, Lower	29	137-7016-01	1	Crossmember-Rear, Wide
9	322-5	4	Screw-HH	30	133-4429-03	1	Guard-Muffler
10	104-8301	10	Nut-HF, NI	31	117-1232-03	1	Bracket-Hitch
11	3234-29	20	Screw-HHF	32	3234-47	6	Screw-HHF
12	104-8300	30	Nut-HF, NI	33	133-1201-03	2	Mount-Hydro
13	133-4485-03	1	Bracket-Mount	35	133-4414-01	2	Bracket-Stop, Bump
14	32144-70	26	Screw-HWHTF	36	131-8834	2	Bumper
15	133-4310-01	1	Axle-Front	38	3296-42	4	Nut-Lock, NI
16	3234-42	10	Screw-HHF	39	137-5093	2	Guard-Rail
17	109-3678	4	Bearing-Ball	40	46-8091	6	Screw-HWH
18	138-7200	2	Cap-Grease	41	325-4	2	Screw-HH
19	137-7021-01	1	Mount-Hydro, Front (Left)	42	99-5107	2	Nut-Lock
				44	132-5058	2	Bumper-Rubber

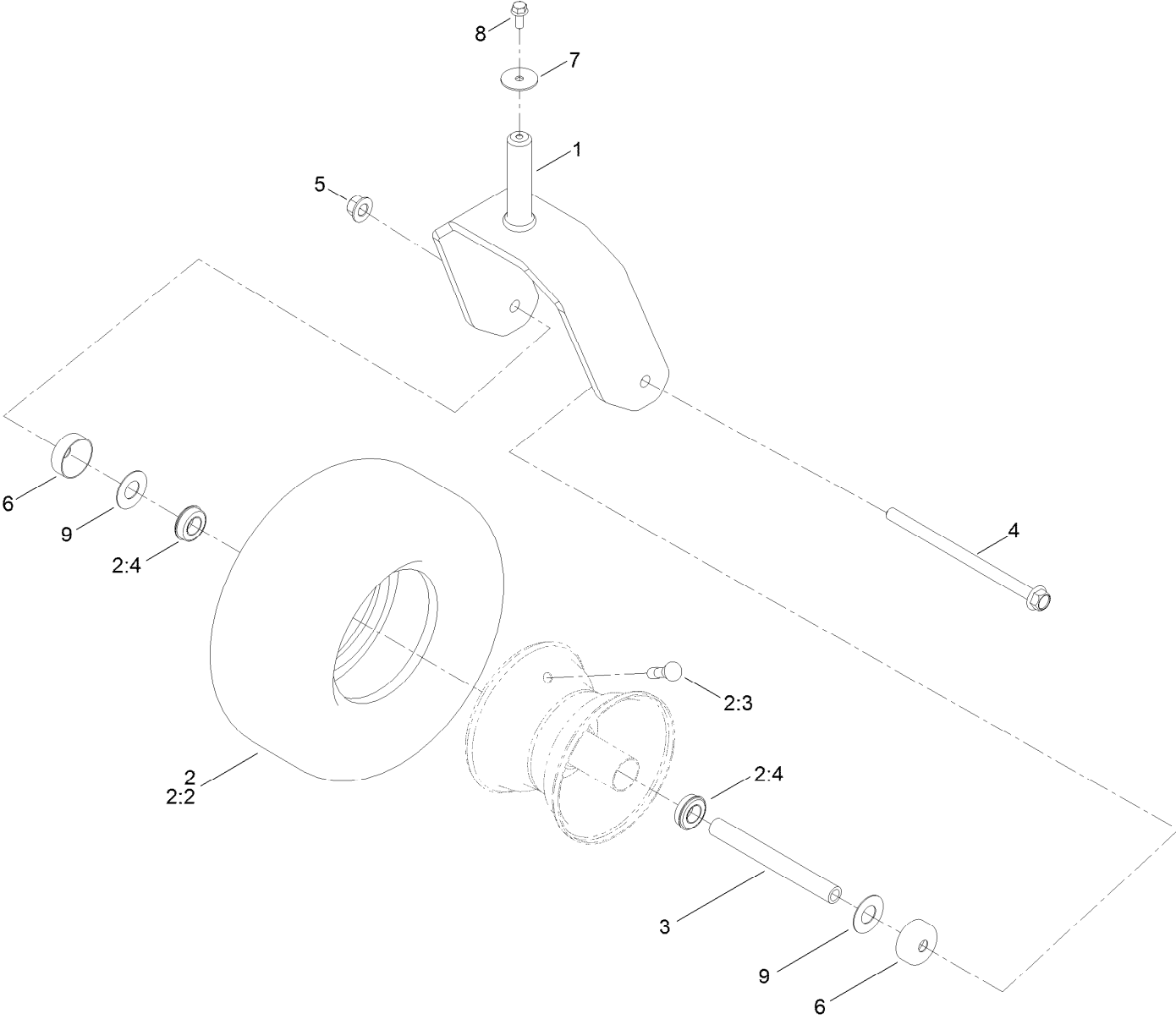
# Deck Lift Assembly



## Deck Lift Assembly (continued)

<i>Ref.</i>	<i>Part Number</i>	<i>Qty.</i>	<i>Description</i>	<i>Ref.</i>	<i>Part Number</i>	<i>Qty.</i>	<i>Description</i>
1	137-2020-03	1	Pivot-Rear	14	116-4312	1	Grip-Flat
2	133-4430-03	1	Pivot-Front	15	138-7203	1	Pin-HOC
3	137-2021-03	2	Plate	16	115-5065	4	Bushing-Flange
4	3234-29	8	Screw-HHF	17	138-7204	4	Gusset-Deck Lift
5	104-8300	16	Nut-HF, NI	18	322-6	8	Screw-HH
6	130-0742	8	Bolt-Shoulder	19	138-7205	4	Chain-Decklift, 4-Link
7	127-3390-03	1	Link-HOC	20	133-4311-01	1	Pan-Pivot, Deck
8	104-8301	10	Nut-HF, NI	21	133-7071	1	Rod-Pivot, Deck
9	127-3389-03	2	Plate-Deck, Lift	22	3256-26	2	Washer-Flat
10	133-7049	1	Plate-Lift	23	1-806005	2	Pin-Cotter
11	138-7201	4	Spacer-Double Step	24	138-7206	1	Spring-Extension
12	114-4681	4	Screw-HHF	25	138-7207	4	Spacer-Hub, Blower
13	138-7202	1	Transport Lock-HOC	26	130-0734	2	Pad-Rubber

# Caster Fork Assembly



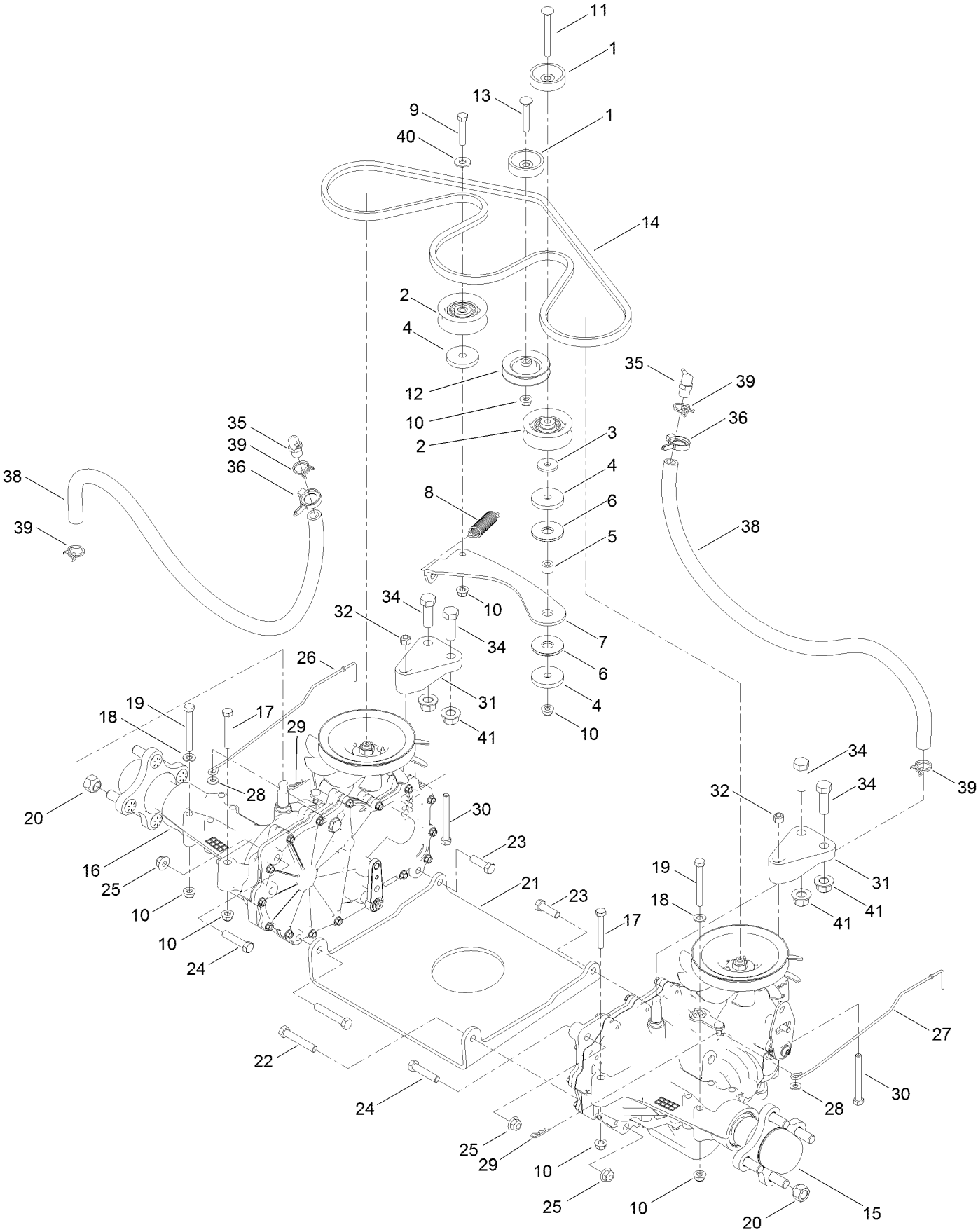


## Caster Fork Assembly (continued)

<i>Ref.</i>	<i>Part Number</i>	<i>Qty.</i>	<i>Description</i>	<i>Ref.</i>	<i>Part Number</i>	<i>Qty.</i>	<i>Description</i>
1	126-4312-01	2	Fork-Caster	4	126-5389	2	Screw-HHF
2	133-4428	2	Tire And Wheel ASM	5	99-5107	2	Nut-Lock
2:2	125-5581	1	Tire	6	138-7208	4	Guard-Seal
2:3	232-27	1	Stem-Valve	7	3256-68	2	Washer-Flat
2:4	136-4190	2	Bearing	8	3234-47	2	Screw-HHF
2:99	232-46	1	Tube-Inner ●	9	136-5590	4	Washer
3	133-4487	2	Spanner-Wheel				

● Not illustrated

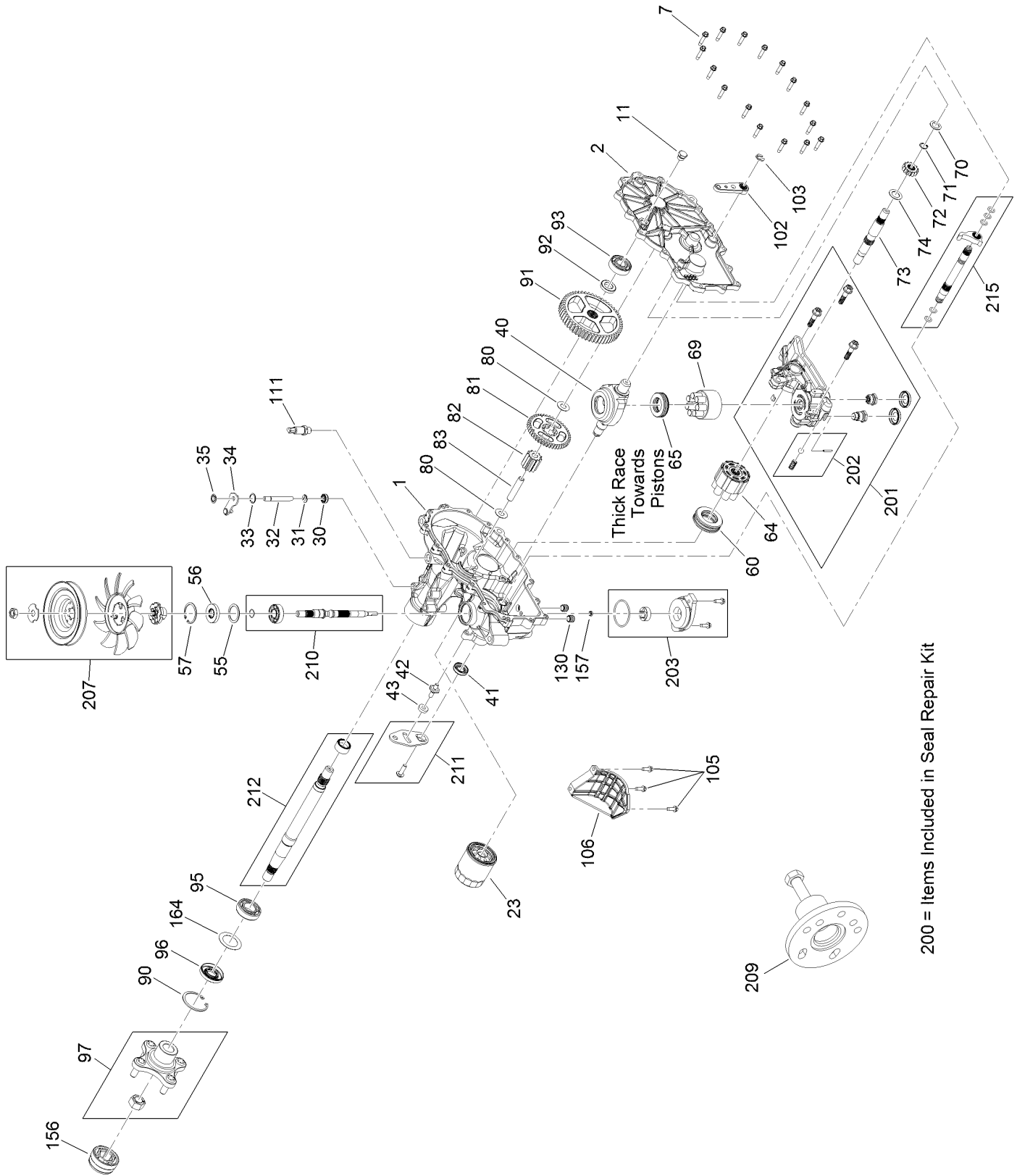
# Hydro Transmission Assembly



## Hydro Transmission Assembly (continued)

<i>Ref.</i>	<i>Part Number</i>	<i>Qty.</i>	<i>Description</i>	<i>Ref.</i>	<i>Part Number</i>	<i>Qty.</i>	<i>Description</i>
1	119-3353	2	Spacer	20	242-50	8	Nut-Lug
2	138-7597	2	Pulley-Idler, Flat	21	130-0718-01	1	Plate-Cross, Hydro
3	1-613235	1	Washer	22	323-11	2	Screw-HH
4	110-9981	3	Washer-Plain	23	323-7	2	Screw-HH
5	138-7209	1	Bushing	24	323-9	2	Screw-HH
6	114-0463	2	Washer-Friction, Composite	25	104-8301	6	Nut-HF, NI
7	133-4423	1	Arm-Idler	26	133-4304	1	Rod-Bypass, RH
8	137-7040	1	Spring-Return, Pedal	27	133-4305	1	Rod-Bypass, LH
9	322-9	1	Screw-HH	28	3256-22	2	Washer-Flat
10	104-8300	9	Nut-HF, NI	29	3290-307	2	Pin-Cotter
11	119-9784	1	Screw-CARR	30	322-14	2	Screw-HH
12	119-8822	1	Pulley-Idler	31	133-1247	2	Support-Hydro, Rear
13	3230-6	1	Bolt-CARR	32	3296-29	2	Nut-Lock, NI
14	133-4371	1	V-Belt	34	325-6	4	Screw-HH
15	133-4420	1	LH Hydro Transmission ASM	35	136-4183	2	Breather Kit
16	133-4421	1	RH Hydro Transmission ASM	36	105-1853	2	Clamp-Hose
17	322-11	2	Screw-HH	38	136-4182	2	Hose-Hydro
18	3256-23	6	Washer-Plain	39	138-7211	4	Clamp-Hose
19	322-13	4	Screw-HH	40	3256-3	1	Washer-Flat
				41	99-5107	4	Nut-Lock

# LH Transaxle Assembly No. 133-4420

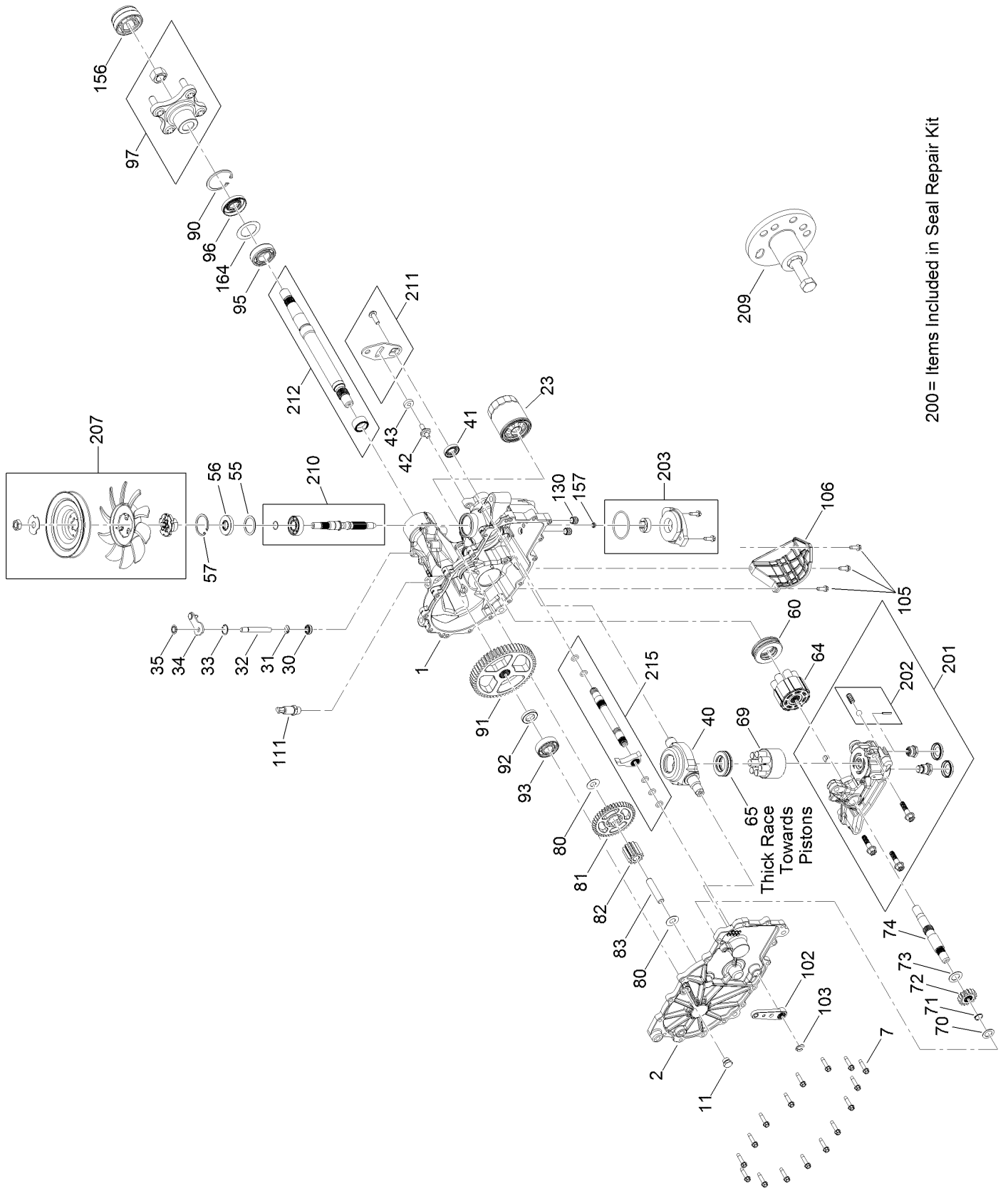


200 = Items Included in Seal Repair Kit

## LH Transaxle Assembly No. 133-4420 (continued)

<i>Ref.</i>	<i>Part Number</i>	<i>Qty.</i>	<i>Description</i>	<i>Ref.</i>	<i>Part Number</i>	<i>Qty.</i>	<i>Description</i>
1	117-5357	1	RH Main Housing Kit	82	120-7974	1	Gear-11T
2	117-5358	1	RH Housing Side Kit	83	104-5329	1	Pin-Jackshaft
7	117-5359	16	Screw-HHF	90	104-2169	1	Ring-Retaining
11	135-1140	1	Plug-Straight	91	114-1694	1	Gear-54T
23	109-3321	1	Element-Oil Filter, HYD	92	120-7975	1	Spacer
30	106-8676	1	Seal-Lip	93	137-2004	1	Bearing Kit
31	106-8677	1	Ring-Retaining, External	95	109-8110	1	Input Bearing Kit
32	114-1685	1	Rod-Bypass	96	130-8478	1	Seal-Lip
33	106-8679	1	Ring-Retaining, Internal	97	109-5939	1	Hub Kit
34	112-9852	1	Arm-Bypass	102	125-0021	1	Handle-Brake
35	106-8681	1	Ring-Retaining, External	103	131-0906	1	Ring-Retaining, EXT
40	104-5304	1	Swashplate-Trunnion	105	104-2120	3	Screw
41	104-5313	1	Seal-Lip	106	120-7981	1	Guard-Filter, RH
42	104-2116	1	Stud	111	109-3278	1	Adapter-Straight
43	112-9853	1	Puck-Friction	130	126-3251	2	Tube-Charge
55	104-5308	1	Spacer	156	115-5057	1	Cover-Nut, Axle
56	104-5310	1	Seal-Lip	157	130-8486	1	Seal-Gerotor
57	104-5309	1	Ring-Retaining	164	121-5745	1	Spacer
60	112-4154	1	Bearing-Thrust	200	109-3537	1	Seal Kit
64	114-1689	1	Motor Cylinder Block Kit	201	137-2005	1	RH Charge Center Section Kit
65	94-6922	1	Bearing-Thrust				
69	110-8561	1	Pump Block ASM	202	114-8464	1	Charge Relief Kit
70	104-5339	1	Washer-Flat	203	114-8465	1	Charge Kit
71	104-5340	1	Ring-Retaining	207	137-2006	1	Fan Pulley Kit
72	131-0905	1	Gear-14T	209	114-8467	1	Puller-Hub, 4 Bolt
73	114-1691	1	Shaft-Motor	210	117-5361	1	Input Shaft Kit
74	104-5360	1	Washer	211	117-5362	1	Control Arm Kit
80	119-5541	2	Washer	212	114-8470	1	Axle Shaft Kit
81	114-1692	1	Gear-45T	215	137-2007	1	Brake Shaft Kit

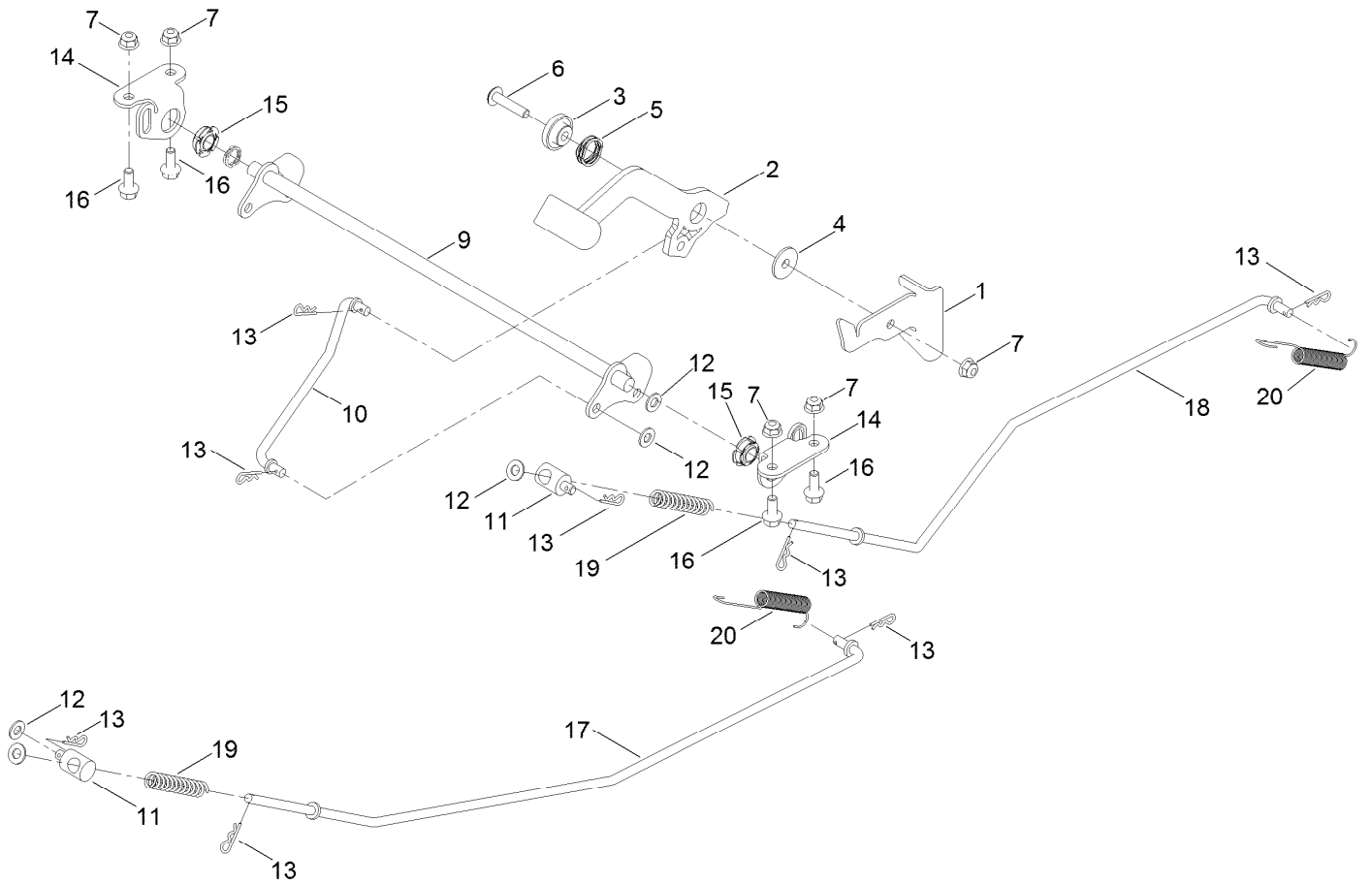
# RH Transaxle Assembly No. 133-4421



## RH Transaxle Assembly No. 133-4421 (continued)

<i>Ref.</i>	<i>Part Number</i>	<i>Qty.</i>	<i>Description</i>	<i>Ref.</i>	<i>Part Number</i>	<i>Qty.</i>	<i>Description</i>
1	114-8471	1	LH Main Housing Kit	82	120-7974	1	Gear-11T
2	114-8472	1	LH Side Cover Kit	83	104-5329	1	Pin-Jackshaft
7	117-5359	16	Screw-HHF	90	104-2169	1	Ring-Retaining
11	135-1140	1	Plug-Straight	91	114-1694	1	Gear-54T
23	109-3321	1	Element-Oil Filter, HYD	92	120-7975	1	Spacer
30	106-8676	1	Seal-Lip	93	137-2004	1	Bearing Kit
31	106-8677	1	Ring-Retaining, External	95	109-8110	1	Input Bearing Kit
32	114-1685	1	Rod-Bypass	96	130-8478	1	Seal-Lip
33	106-8679	1	Ring-Retaining, Internal	97	109-5939	1	Hub Kit
34	107-2490	1	Arm-Bypass	102	125-0021	1	Handle-Brake
35	106-8681	1	Ring-Retaining, External	103	131-0906	1	Ring-Retaining, EXT
40	104-5304	1	Swashplate-Trunnion	105	104-2120	3	Screw
41	104-5313	1	Seal-Lip	106	120-7979	1	Guard-Filter, LH
42	104-2116	1	Stud	111	109-3278	1	Adapter-Straight
43	112-9853	1	Puck-Friction	130	126-3251	2	Tube-Charge
55	104-5308	1	Spacer	156	115-5057	1	Cover-Nut, Axle
56	104-5310	1	Seal-Lip	157	130-8486	1	Seal-Gerotor
57	104-5309	1	Ring-Retaining	164	121-5745	1	Spacer
60	112-4154	1	Bearing-Thrust	200	109-3537	1	Seal Kit
64	114-1689	1	Motor Cylinder Block Kit	201	137-2012	1	LH Charge Center Section Kit
65	94-6922	1	Bearing-Thrust				
69	110-8561	1	Pump Block ASM	202	114-8464	1	Charge Relief Kit
70	104-5339	1	Washer-Flat	203	114-8465	1	Charge Kit
71	104-5340	1	Ring-Retaining	207	137-2006	1	Fan Pulley Kit
72	131-0905	1	Gear-14T	209	114-8467	1	Puller-Hub, 4 Bolt
73	114-1691	1	Shaft-Motor	210	117-5361	1	Input Shaft Kit
74	104-5360	1	Washer	211	117-5362	1	Control Arm Kit
80	119-5541	2	Washer	212	114-8470	1	Axle Shaft Kit
81	114-1692	1	Gear-45T	215	137-2013	1	Brake Shaft Kit

# Parking Brake Assembly

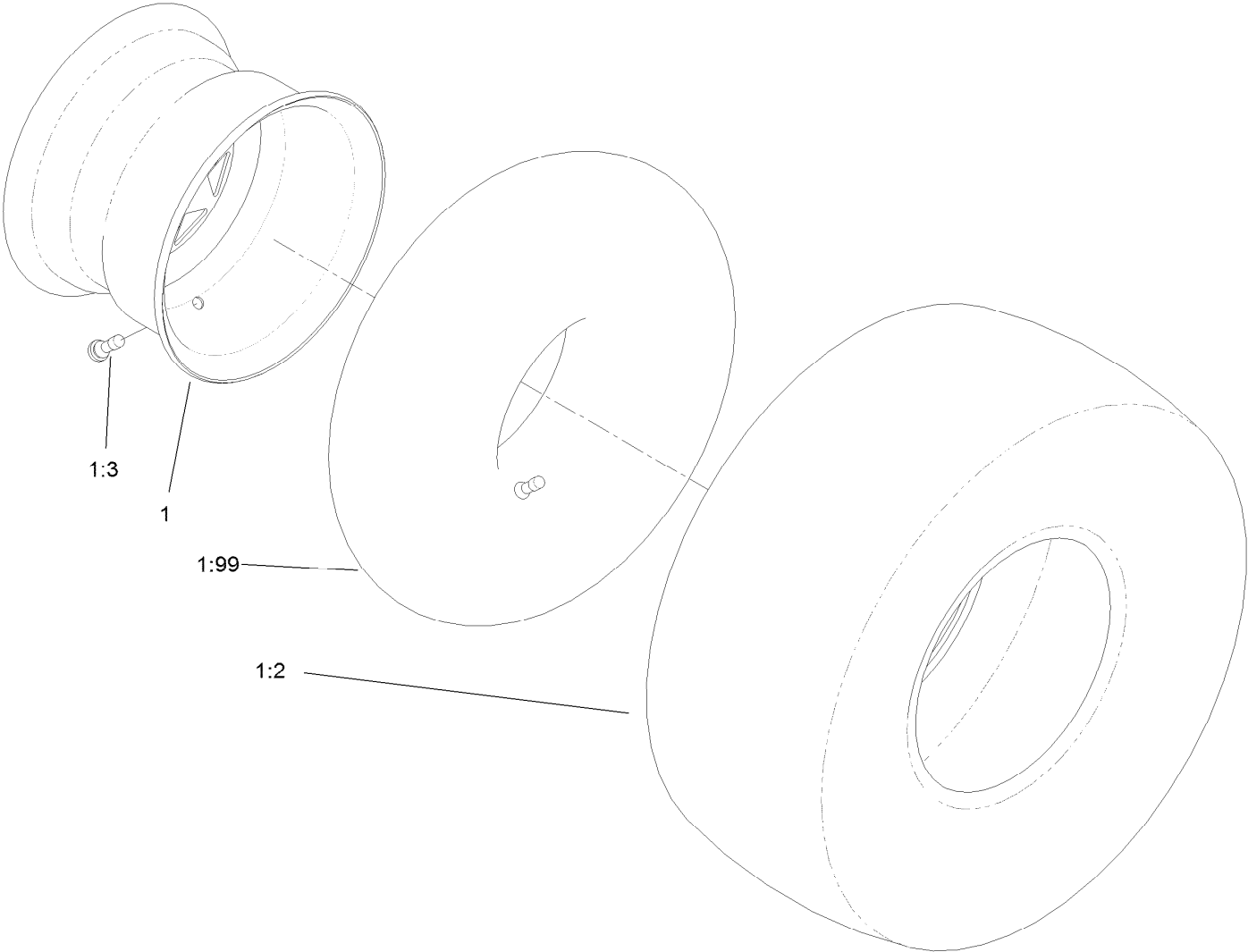




## Parking Brake Assembly (continued)

<i>Ref.</i>	<i>Part Number</i>	<i>Qty.</i>	<i>Description</i>	<i>Ref.</i>	<i>Part Number</i>	<i>Qty.</i>	<i>Description</i>
1	136-5554	1	Detent-Brake	12	3256-23	5	Washer-Plain
2	136-7476	1	Lever-Brake	13	3290-307	8	Pin-Cotter
3	136-5648	1	Bushing-Flange	14	133-9341-03	2	Plate-Support, Bellcrank
4	136-5647	1	Bushing-Brake, Flanged	15	136-7469	2	Bearing-Spherical
5	120-5116	1	Washer-Wave	16	3234-47	4	Screw-HHF
6	126-7439	1	Screw-Torx	17	133-9343	1	Rod-Brake, RH
7	104-8300	5	Nut-HF, NI	18	133-9344	1	Rod-Brake, LH
9	133-9338	1	Bellcrank-Brake	19	1-603807	2	Spring-Return, Neutral
10	133-9342	1	Rod-Brake, Intermediate	20	110769	2	Spring-Extension
11	138-7212	2	Fitting-Rod				

# Rear Tire and Wheel Assembly

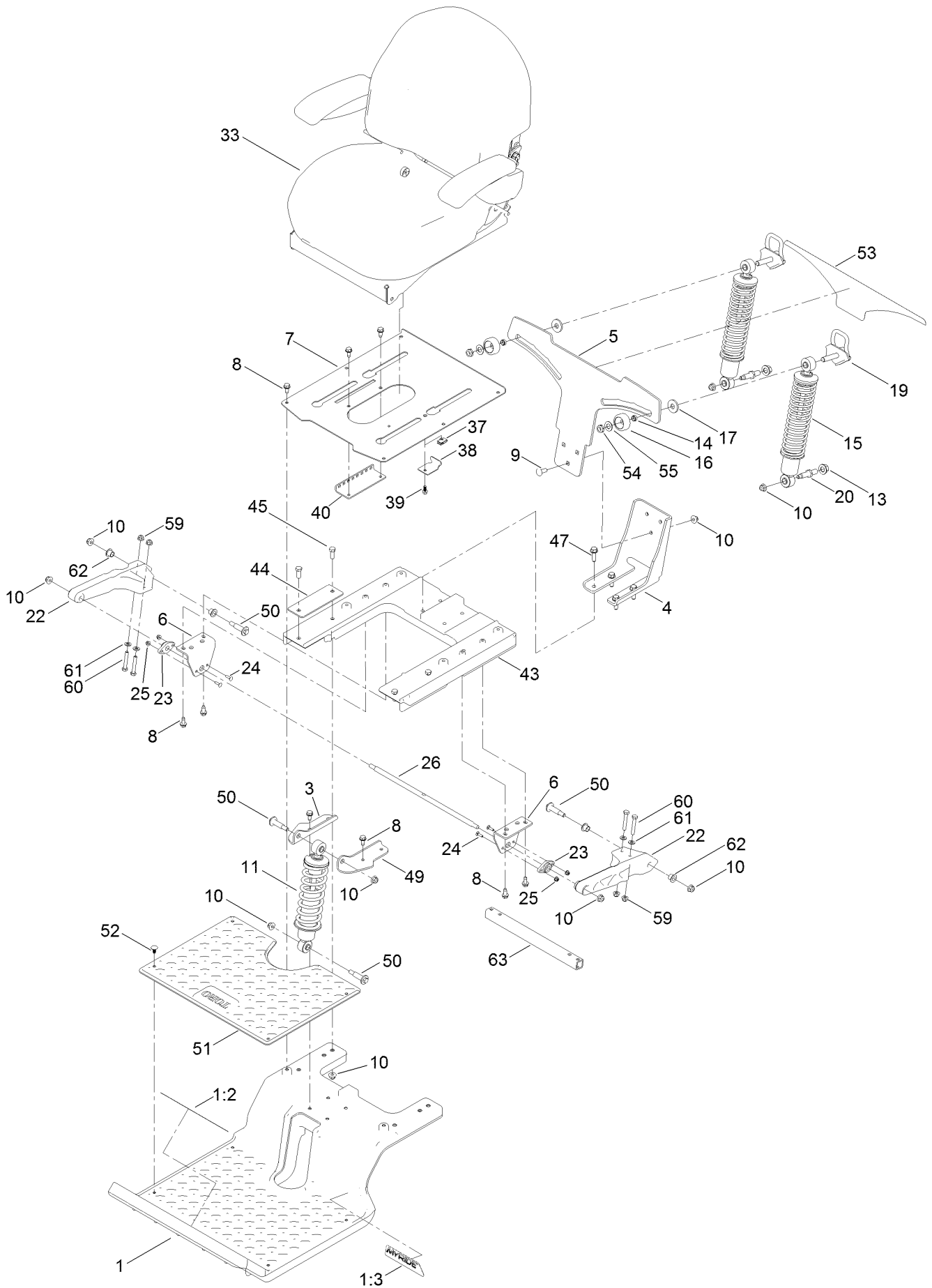


## Rear Tire and Wheel Assembly (continued)

<i>Ref.</i>	<i>Part Number</i>	<i>Qty.</i>	<i>Description</i>	<i>Ref.</i>	<i>Part Number</i>	<i>Qty.</i>	<i>Description</i>
1	127-3449	2	Tire And Wheel ASM	1:3	232-27	1	Stem-Valve
1:2	125-1821	1	Tire	1:99	105-4070	1	Tube-Inner ●

● Optional Equipment

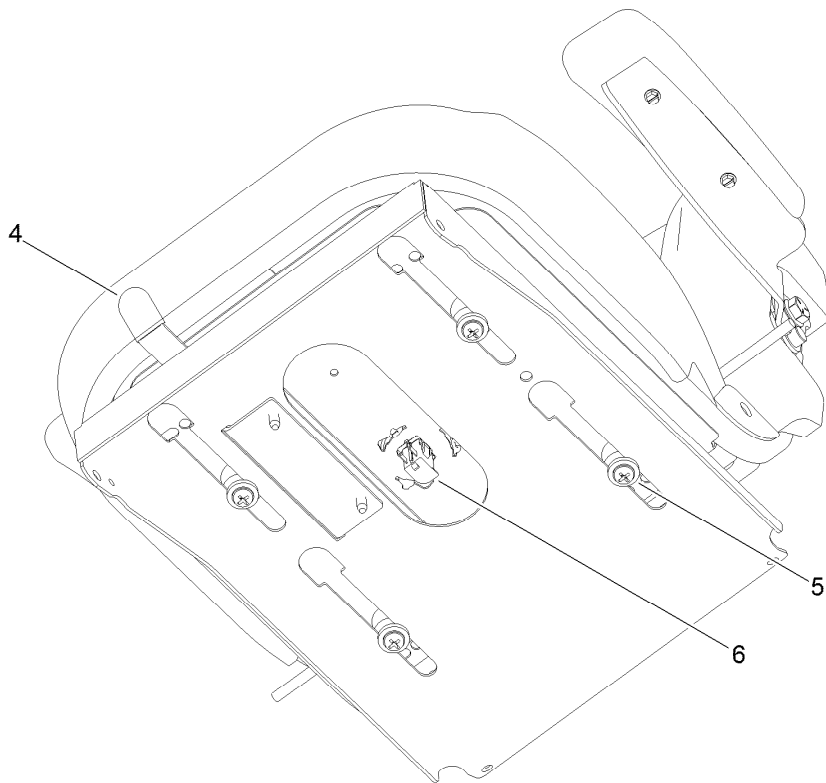
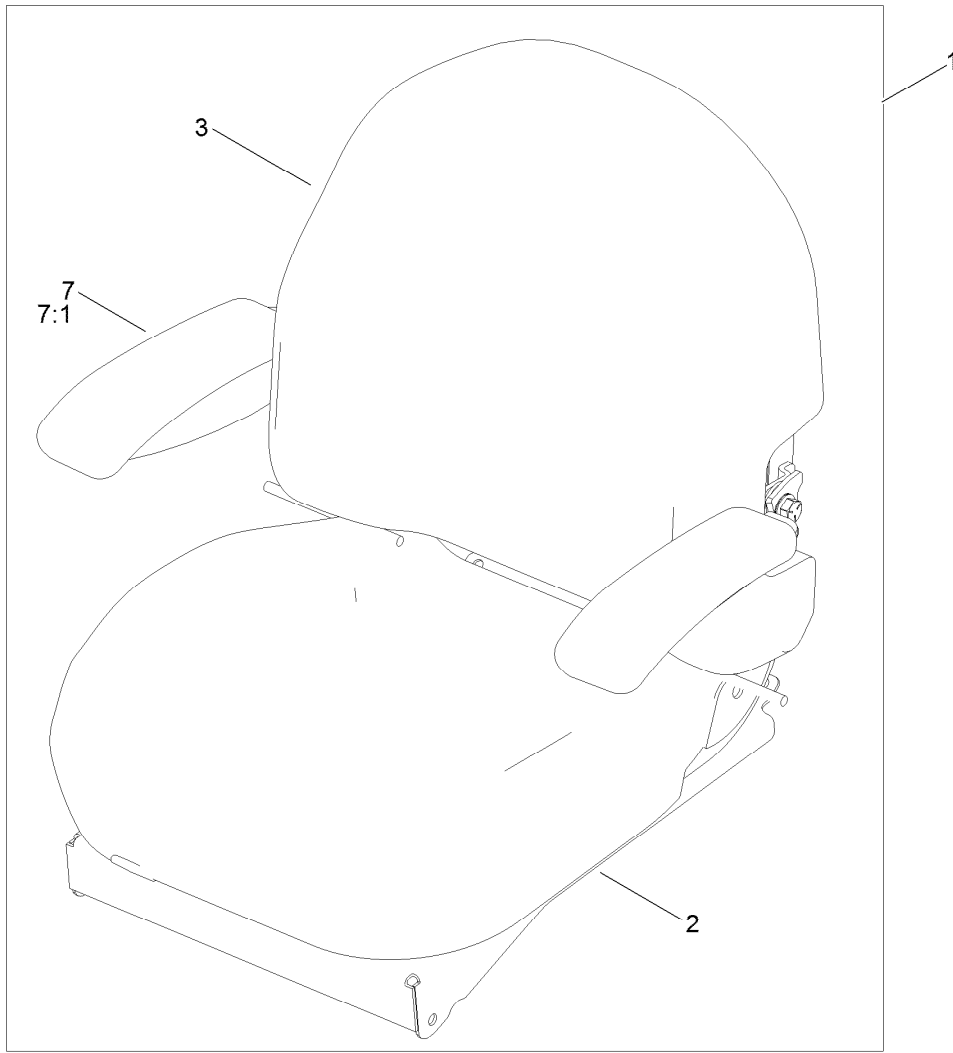
# Seat Pan Assembly



## Seat Pan Assembly (continued)

<i>Ref.</i>	<i>Part Number</i>	<i>Qty.</i>	<i>Description</i>	<i>Ref.</i>	<i>Part Number</i>	<i>Qty.</i>	<i>Description</i>
1	136-9191	1	Subframe-Front	26	137-1968	1	Rod-Pivot
1:2	132-0869	1	Decal-Danger	33	139-2367	1	Seat ASM
1:3	136-7470	1	Decal	37	107069	1	Clip
3	133-9319-03	1	Bracket-Shock Mount, Upper (RH)	38	138-7214	1	Bracket-Stop, Seat
4	133-4442-03	1	Bracket-Mount, Lower	39	99-6810	1	Screw-HHF
5	133-4462-03	1	Bracket-Mounting, Shock	40	131-4008-03	1	Bracket-Latch, Seat
6	137-1967-03	2	Bracket-Mount, Swing Arm	43	137-7031	1	Subframe-Rear
7	133-7029-03	1	Pan-Seat	44	133-7089-03	2	Plate-Backer
8	32144-70	16	Screw-HWHTF	45	323-6	4	Screw-HH
9	3231-22	3	Screw-CARR	47	32144-109	4	Screw-Thd
10	104-8301	15	Nut-HF, NI	49	133-9318-03	1	Bracket-Shock Mount, Upper (LH)
11	133-5192	1	Shock/Spring ASM	50	136-7198	4	Bolt-Shoulder
13	99-5107	2	Nut-Lock	51	133-5190	1	Floormat
14	133-5109	2	Bearing-Sleeve	52	117-2382	4	Plug-Plastic
15	133-5193	2	Shock/Spring ASM	53	133-5198	1	Decal-Adjustment, Ride
16	136-5636	2	Knob-Lock, Cam	54	3296-45	2	Nut-Hex
17	131-4699	2	Washer-Plastic	55	3-6803	2	Washer-Adjusting
19	133-5105	2	Cam Lock ASM	59	104-8300	4	Nut-HF, NI
20	133-4401	2	Bolt-Shoulder	60	322-10	4	Screw-HH
22	136-8979	2	Trailing Arm	61	3256-23	4	Washer-Plain
23	127-0146	2	Bearing-Flange	62	125-5239	4	Bushing-Flange
24	3229-20	4	Screw-CARR	63	137-1969-03	1	Tube-Arm, Trailing
25	120-4578	4	Nut-HF				

# Seat Assembly No. 139-2367

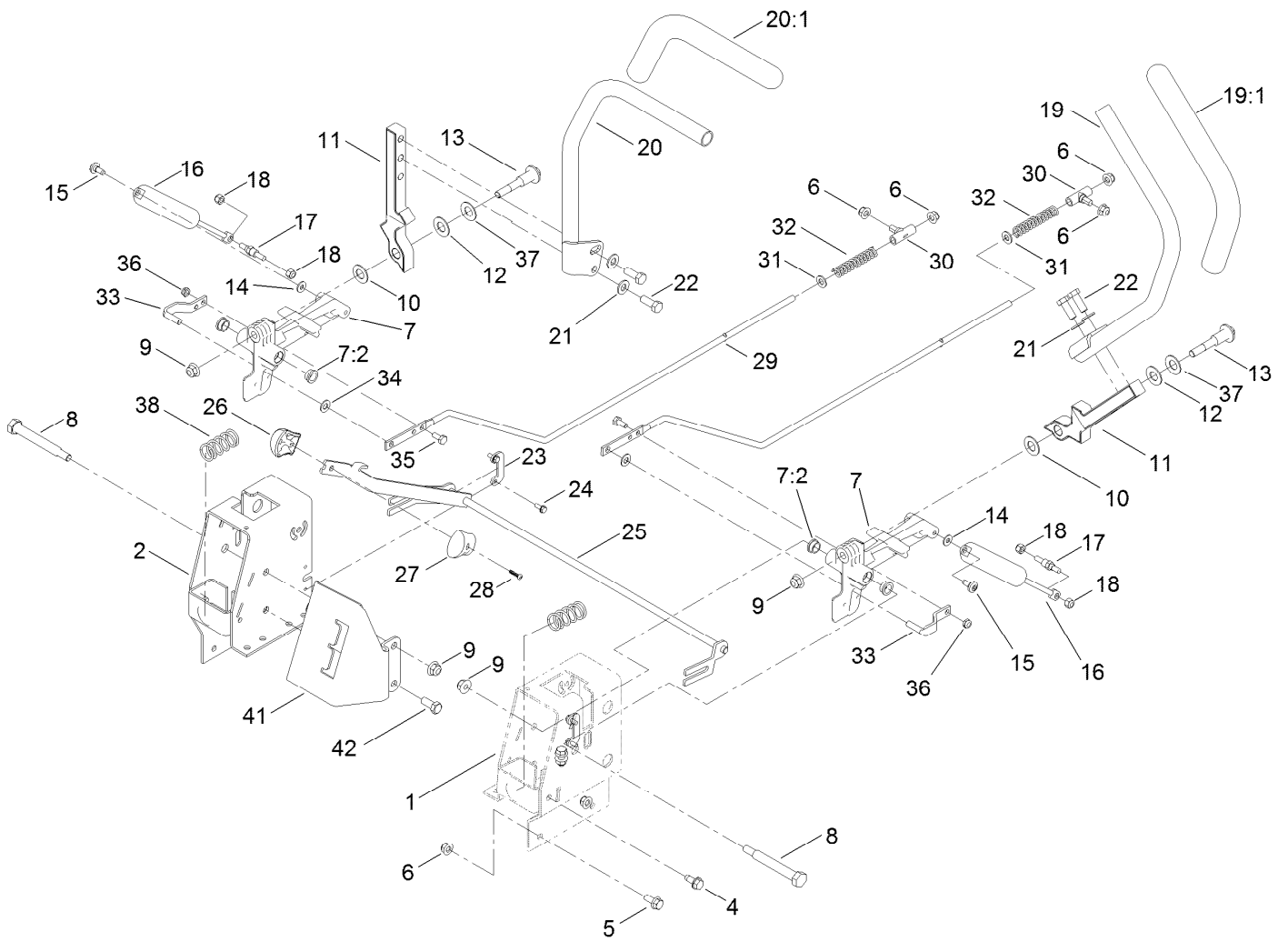


## Seat Assembly No. 139-2367 (continued)

<i>Ref.</i>	<i>Part Number</i>	<i>Qty.</i>	<i>Description</i>
1	139-2374	1	Seat ASM
2	139-2649	1	Cover-Base
3	139-3297	1	Cover-Back
4	131-4153	1	Track ASM

<i>Ref.</i>	<i>Part Number</i>	<i>Qty.</i>	<i>Description</i>
5	131-4154	1	Bushing ASM
6	82-2190	1	Switch-Bail
7	126-2058	1	Armrest Kit
7:1	110-4163	2	Cushion-Rest, Arm

# Motion Control Assembly

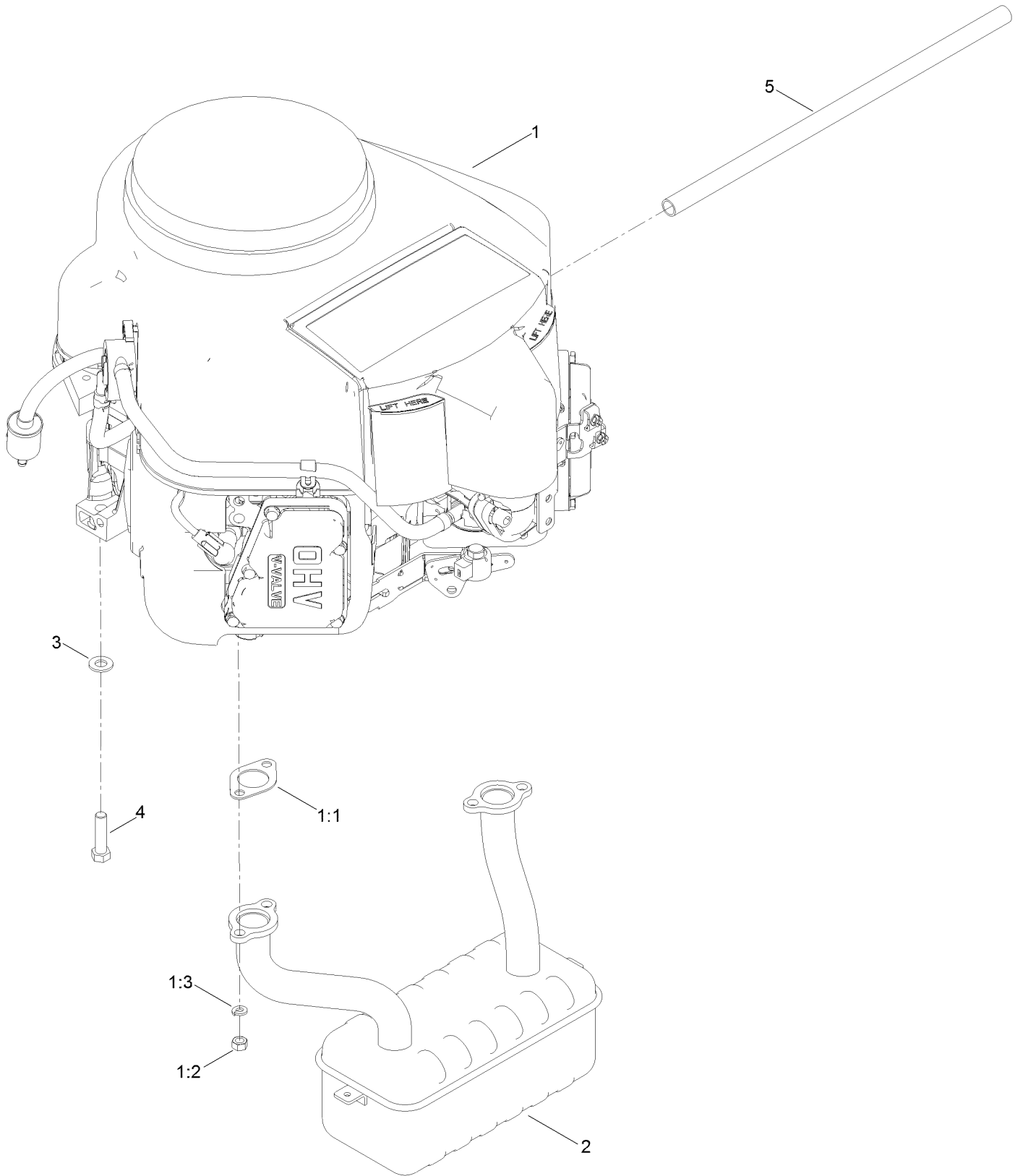




## Motion Control Assembly (continued)

<i>Ref.</i>	<i>Part Number</i>	<i>Qty.</i>	<i>Description</i>	<i>Ref.</i>	<i>Part Number</i>	<i>Qty.</i>	<i>Description</i>
1	136-5614-03	1	Box-Control, LH	20:1	121-0726	1	Grip
2	136-5613-03	1	Box-Control, RH	21	3256-24	4	Washer-Flat
4	32144-70	2	Screw-HWHTF	22	323-6	4	Screw-HH
5	3234-47	8	Screw-HHF	23	138-7216	2	Retainer
6	104-8300	12	Nut-HF, NI	24	32144-1	4	Screw-Taptite
7	119-3470	2	Actuator Arm ASM	25	133-5165	1	Control-Speed
7:2	256-156	2	Bushing-Flange	26	132-9368	1	Knob-RH
8	115-5099	2	Bolt-Pivot	27	132-9369	1	Knob-LH
9	104-8301	5	Nut-HF, NI	28	94-4496	1	Screw-PPH
10	120-2273	2	Washer-Nylon	29	138-7217	2	Rod-Hydro
11	136-5570-05	2	Arm-Control	30	138-7218	2	Mount-Rod, Hydro
12	117-1240	2	Washer	31	3256-23	2	Washer-Plain
13	117-1198	2	Bolt-Pivot	32	1-603807	2	Spring-Return, Neutral
14	119-8952	2	Washer	33	121-1753	2	Pin-Rod, Hydro
15	120-7950	2	Screw-Shoulder	34	93-6079	2	Spacer-Nylon
16	131-0964	2	Damper	35	321-3	2	Screw-HH
17	138-7215	2	Stud-Damper	36	3296-56	2	Nut-Lock, NI
18	3296-42	4	Nut-Lock, NI	37	119-8925	2	Washer-Belleville
19	133-7055	1	Handle-Control, LH	38	138-7219	2	Spring-Return
19:1	121-0726	1	Grip	41	136-2751-03	1	Gate-Control, Speed
20	133-7057	1	Handle-Control, RH	42	323-5	1	Screw-HH

# Engine and Muffler Assembly



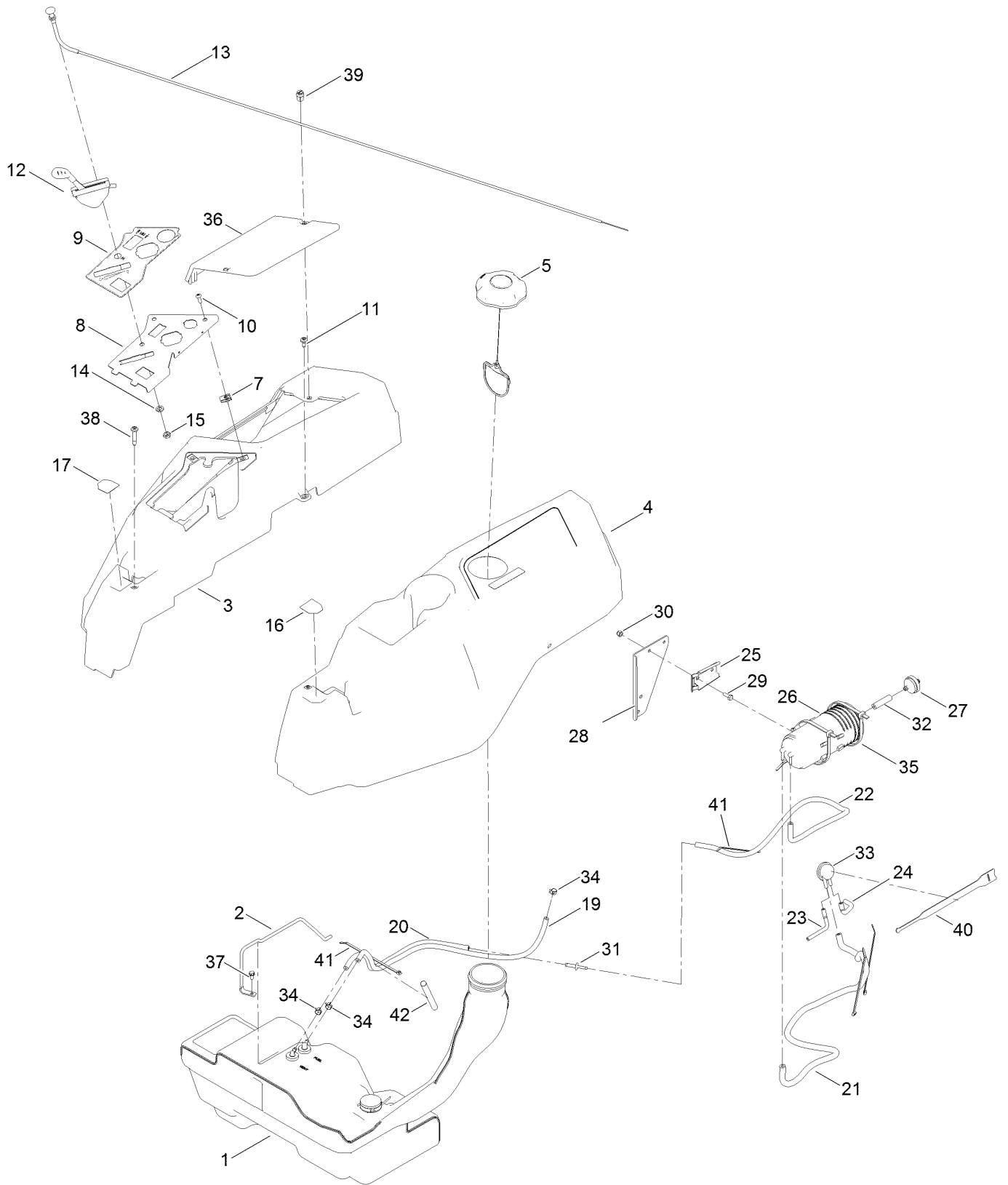
## Engine and Muffler Assembly (continued)

<i>Ref.</i>	<i>Part Number</i>	<i>Qty.</i>	<i>Description</i>	<i>Ref.</i>	<i>Part Number</i>	<i>Qty.</i>	<i>Description</i>
1		1	Engine-Kawasaki, Fr651V-S12-R ●■	2	130-0673	1	Muffler
1:1	1-653313	2	Gasket-Exhaust	3	3256-24	4	Washer-Flat
1:2	114-3549	4	Nut	4	323-50	4	Bolt-HH
1:3	114-3550	4	Washer-Lock	5	106-7022	1	Tube-Drain, Oil

● Not serviced separately

■ Obtain parts from [www.kawpowerepc.com](http://www.kawpowerepc.com)

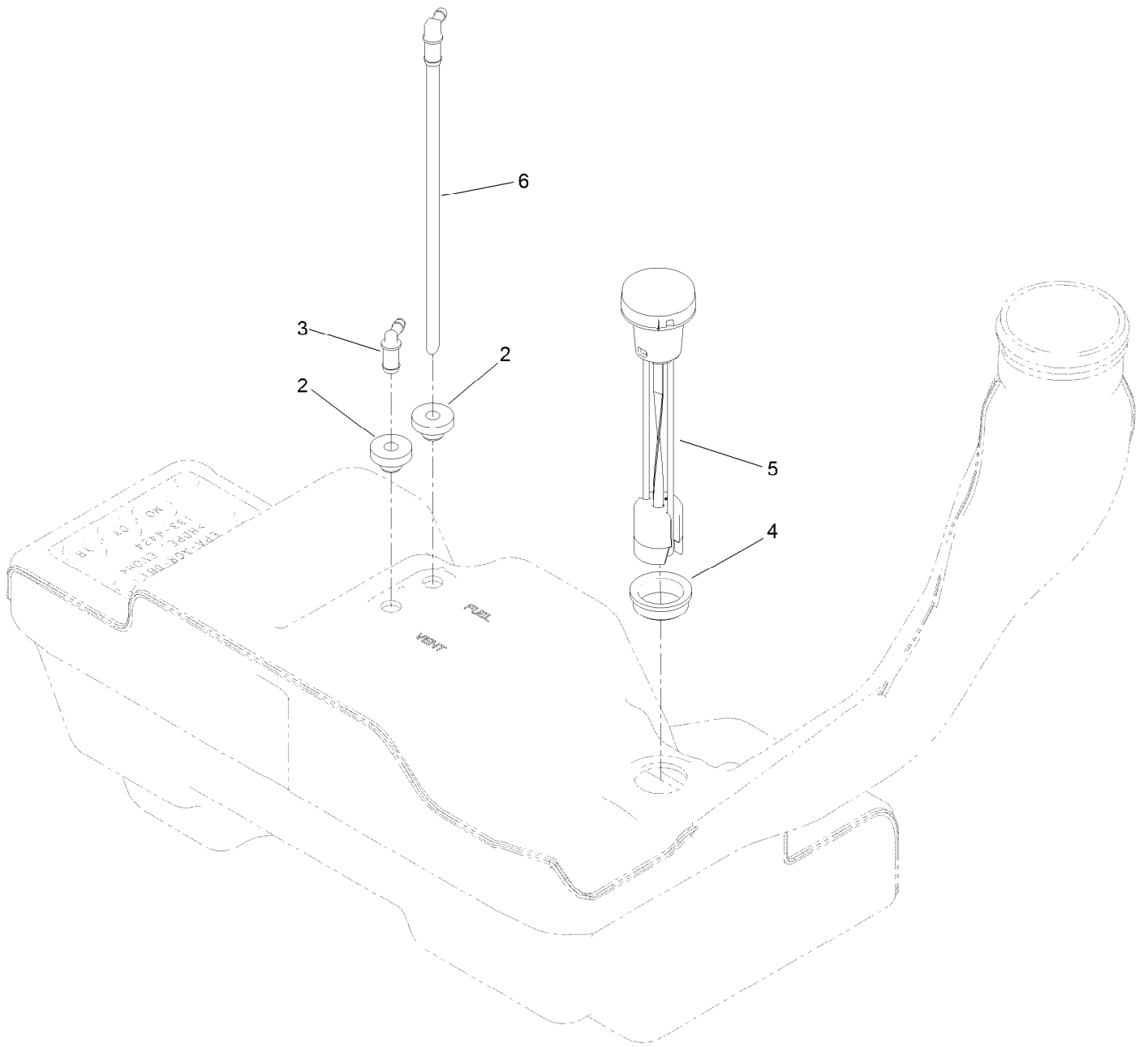
# Body Styling and Fuel Tank Assembly



## Body Styling and Fuel Tank Assembly (continued)

<i>Ref.</i>	<i>Part Number</i>	<i>Qty.</i>	<i>Description</i>	<i>Ref.</i>	<i>Part Number</i>	<i>Qty.</i>	<i>Description</i>
1	133-4484	1	Fuel Tank ASM	23	119-8501	1	Hose-Vent, Formed
2	136-4180	1	Rod-Hold Down	24	119-8502	1	Hose-Vent, Formed
3	133-9307	1	Pod-RH	25	114-0292	1	Bracket-Canister, Carbon
4	133-9315	1	Pod-LH	26	117-1221	1	Canister-Carbon, 800Cc
5	137-4119	1	Cap-Fuel, Ratcheting	27	115-7854	1	Filter-Fuel, Inline
7	107069	2	Clip	28	133-9292-03	1	Carb Canister Bracket
8	133-9346-03	1	Panel-Control	29	321-4	2	Screw-HH
9	133-9263	1	Decal-Control W/Choke	30	3296-42	2	Nut-Lock, NI
10	3258-166	2	Screw-PRH	31	117-5399	1	Adaptor-Orifice
11	120-7950	4	Screw-Shoulder	32	99-9415	1	Hose-Fuel
12	136-5622	1	Cable-Throttle	33	116-2232	1	Valve-Control, Vacuum
13	112-9753	1	Cable-Choke	34	2412-98	3	Clamp-Hose
14	3253-21	1	Washer-Lock	35	3334-945	1	Tie-Cable
15	3220-3	1	Nut-HJ	36	133-9308	1	Cover-Battery
16	136-4243	1	Decal-Lever, Control (LH)	37	32144-4	1	Screw-HWH
17	136-4244	1	Decal-Lever, Control (RH)	38	136-4195	2	Screw-Shoulder
19	109-0281	1	Hose-Fuel	39	121-5840	2	Fastener
20	110-5701	1	Hose-Fuel	40	116-2469	1	Strap-Velcro, Cable Tie
21	109-0307	1	Hose-Fuel	41	614249	5	Tie-Cable
22	136-7526	1	Hose, Fuel	42	138-2522	1	Sleeve-Fuel Line Protector

# Fuel Tank Assembly No. 133-4484

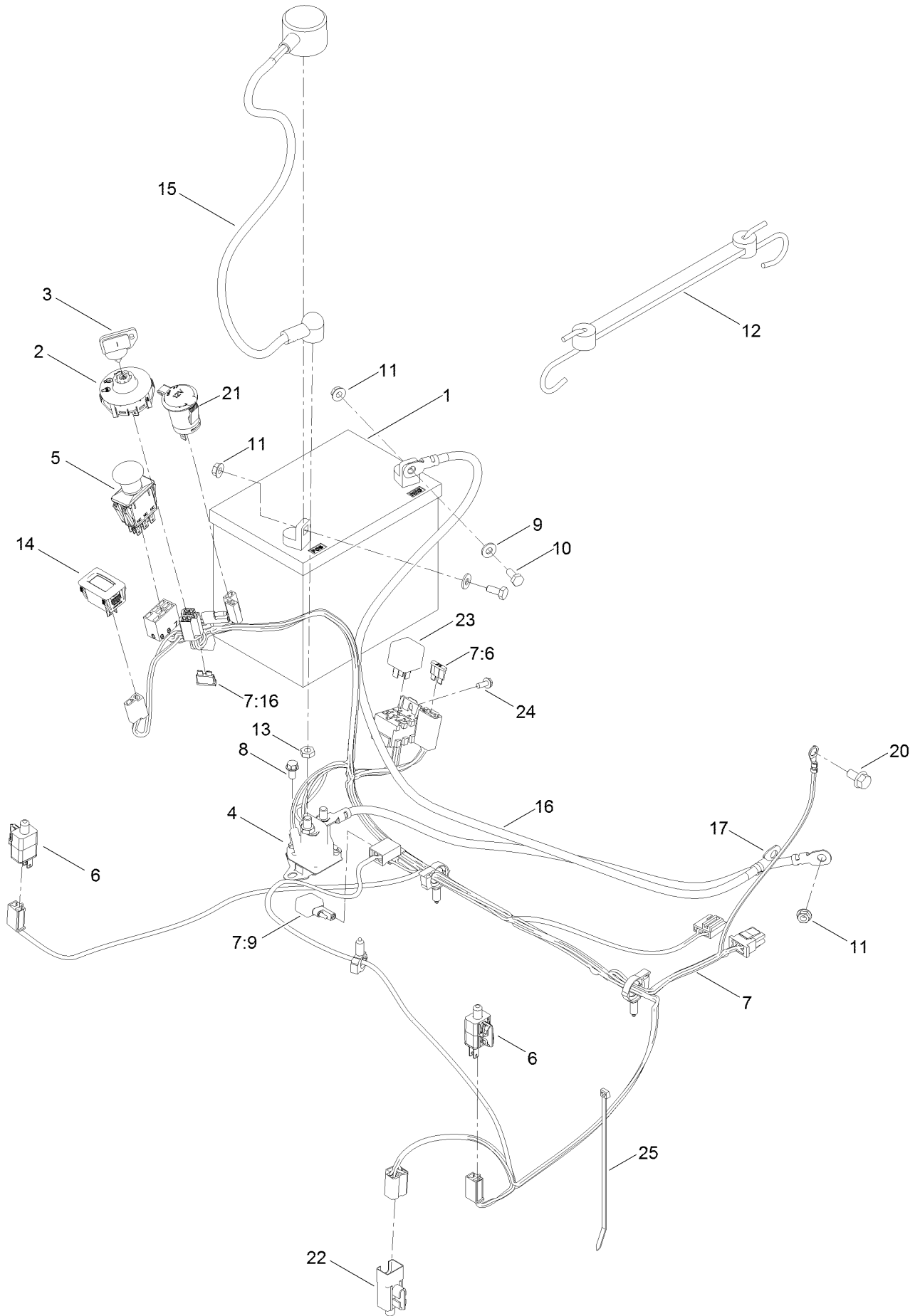


## Fuel Tank Assembly No. 133-4484 (continued)

<i>Ref.</i>	<i>Part Number</i>	<i>Qty.</i>	<i>Description</i>
2	46-6560	2	Bushing
3	117-7400	1	Fitting-Plastic
4	133-9269	1	Grommet-Fuel

<i>Ref.</i>	<i>Part Number</i>	<i>Qty.</i>	<i>Description</i>
5	133-9270	1	Gauge-Fuel
6	121-0793	1	Connector-Elbow, 90 DEG

# Electrical Assembly



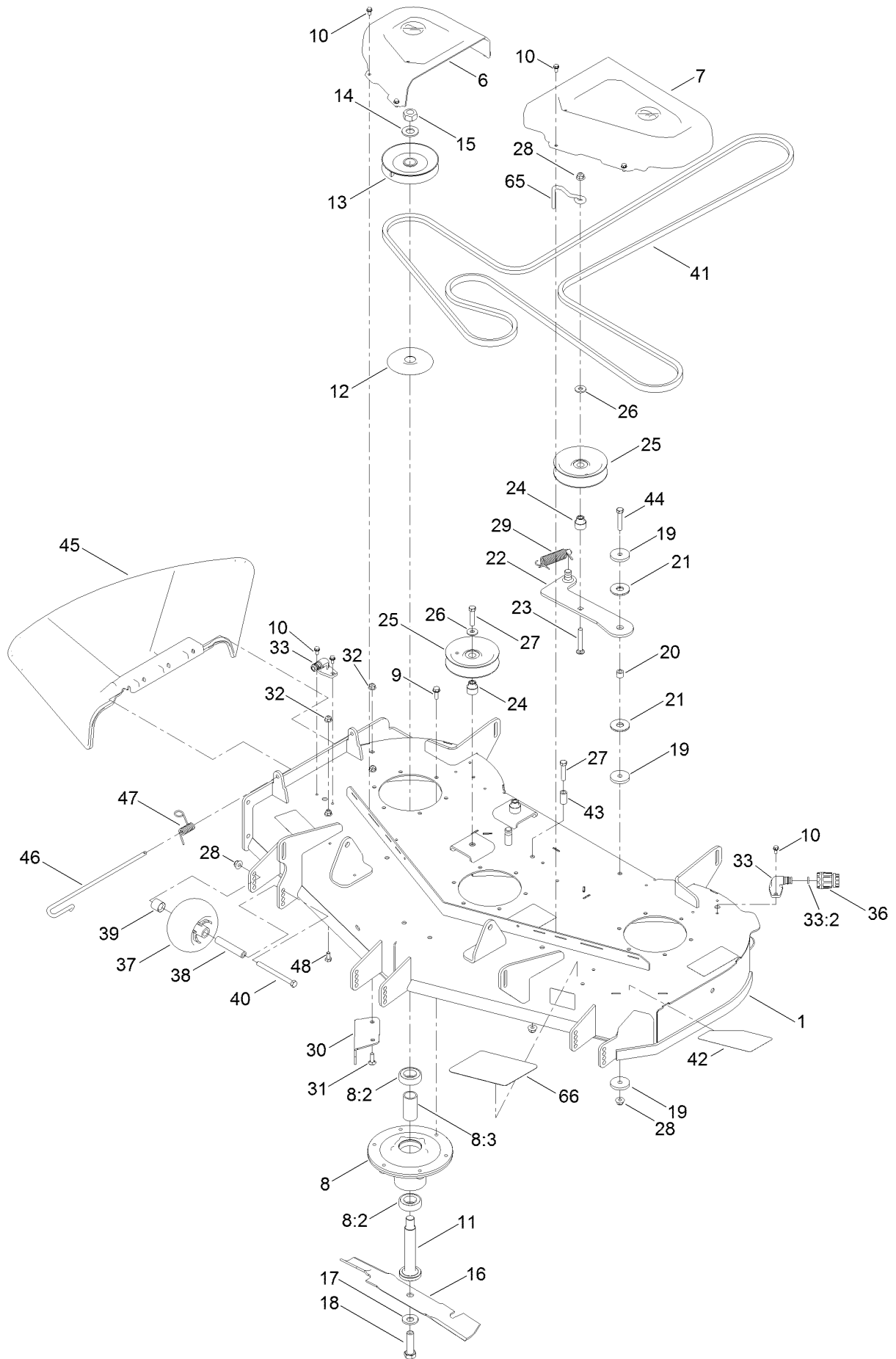


## Electrical Assembly (continued)

<i>Ref.</i>	<i>Part Number</i>	<i>Qty.</i>	<i>Description</i>	<i>Ref.</i>	<i>Part Number</i>	<i>Qty.</i>	<i>Description</i>
1	105-1692	1	Battery	11	32128-33	3	Nut-HF
2	137-4100	1	Switch-Ignition	12	104-2466	1	Holddown-Battery
3	63-8360	1	Key-Ignition ●	13	3220-2	2	Nut-Jam
4	117-1197	1	Solenoid	14	120-2244	1	Hourmeter
5	103-5221	1	Switch-PTO	15	115-3864	1	Cable-Battery, Positive
6	110-6765	2	Switch	16	136-7473	1	Cable-Battery, Positive
7	137-7002	1	Harness-Wire	17	117-7240	1	Cable-Battery, Negative
7:6	109102	1	Fuse-Blade, 25 Amp	20	33104-016	1	Screw-HHF
7:9	100-4918	1	Diode	21	126-6499	1	Port-Power, 12V
7:16	109355	1	Fuse-Blade, 15 Amp	22	99-7408	1	Switch-Reverse
8	32144-4	2	Screw-HWH	23	98-7249	1	Relay
9	3256-22	2	Washer-Flat	24	32144-1	1	Screw-Taptite
10	321-3	2	Screw-HH	25	614249	1	Tie-Cable

● Not illustrated

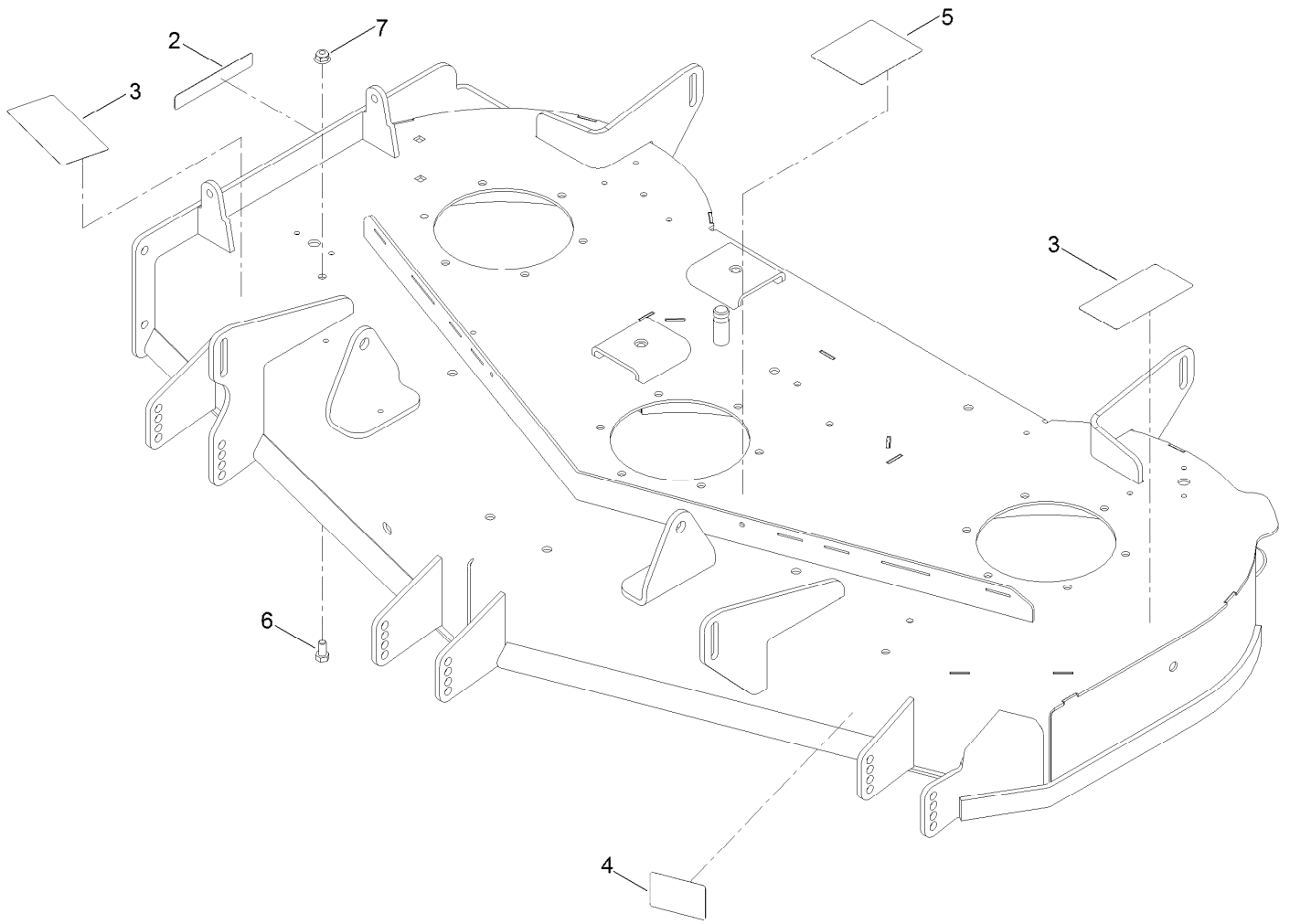
# Deck Assembly



## Deck Assembly (continued)

<i>Ref.</i>	<i>Part Number</i>	<i>Qty.</i>	<i>Description</i>	<i>Ref.</i>	<i>Part Number</i>	<i>Qty.</i>	<i>Description</i>
1	133-7066	1	Deck ASM	27	323-9	3	Screw-HH
6	133-9283	1	Cover-Belt, RH	28	104-8301	6	Nut-HF, NI
7	133-9282	1	Cover-Belt, LH	29	138-7228	1	Spring-Extension
8	139-2357	3	Spindle ASM	30	117-7418-03	1	Baffle-Cutoff
8:2	116-0720	2	Bearing-Ball	31	3230-22	2	Screw-CARR
8:3	138-7220	1	Spacer-Bearing	32	104-8300	3	Nut-HF, NI
9	32144-41	18	Screw-Taptite	33	133-9289	2	Fitting-Washout
10	32144-4	12	Screw-HWH	33:2	133-9290	1	O-Ring
11	115-2642	3	Shaft-Spindle	36	95-3270	1	Connector-Hose
12	138-7221	3	Shield-Bearing	37	1-603299	3	Roller-Scalp, Anti
13	138-7224	3	Pulley	38	138-7229	3	Tube-Spanner
14	7-4150	3	Washer	39	104-0892	3	Spacer-Axle, Rear
15	3219-7	3	Nut-Hex	40	323-23	3	Screw-HH
16	117-7277-03	3	Blade-Hi Flo, 16.50 Inch	41	133-7075	1	V-Belt
17	125-1736	3	Washer-Belleville	42	139-3254	1	Decal - Deck
18	51-4060	3	Screw-Blade	43	138-7230	1	Spacer-Fender
19	110-9981	3	Washer-Plain	44	323-10	1	Screw-HH
20	138-7225	1	Spacer	45	133-1212	1	Deflector-Discharge
21	114-0463	2	Washer-Friction, Composite	46	138-7231	1	Pin-Chute
22	138-7226	1	Idler Arm ASM	47	138-7232	1	Spring-Torsion
23	3231-31	1	Screw-CARR	48	322-2	1	Screw-HH
24	138-7227	3	Bushing-Idler	65	136-5615	1	Guide-Belt, Idler
25	132-4718	3	Pulley-Idler, Flat	66	139-3291	1	Tread-Step
26	80-6990	3	Washer-Hardened				

# Deck Decal Assembly No. 133-7066



## Deck Decal Assembly No. 133-7066 (continued)

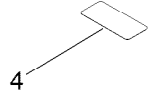
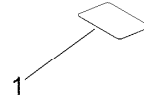
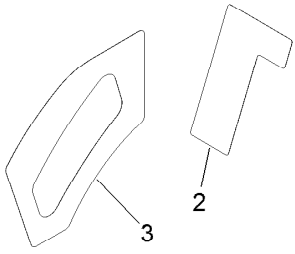
<i>Ref.</i>	<i>Part Number</i>	<i>Qty.</i>	<i>Description</i>	<i>Ref.</i>	<i>Part Number</i>	<i>Qty.</i>	<i>Description</i>
2	130-0731	1	Decal-Danger	5	117-1194	1	Decal-Routing, Belt
3	132-0872	2	Decal-Danger, Deck	6	322-2	1	Screw-HH
4	130-0765	1	Decal-Scalp, Anti	7	104-8300	1	Nut-HF, NI



## Model Specific Decal Assembly (continued)

<i>Ref.</i>	<i>Part Number</i>	<i>Qty.</i>	<i>Description</i>
9	136-9186	1	Decal-Bucket

# Maintenance, HOC and Smart Speed Decal Assembly

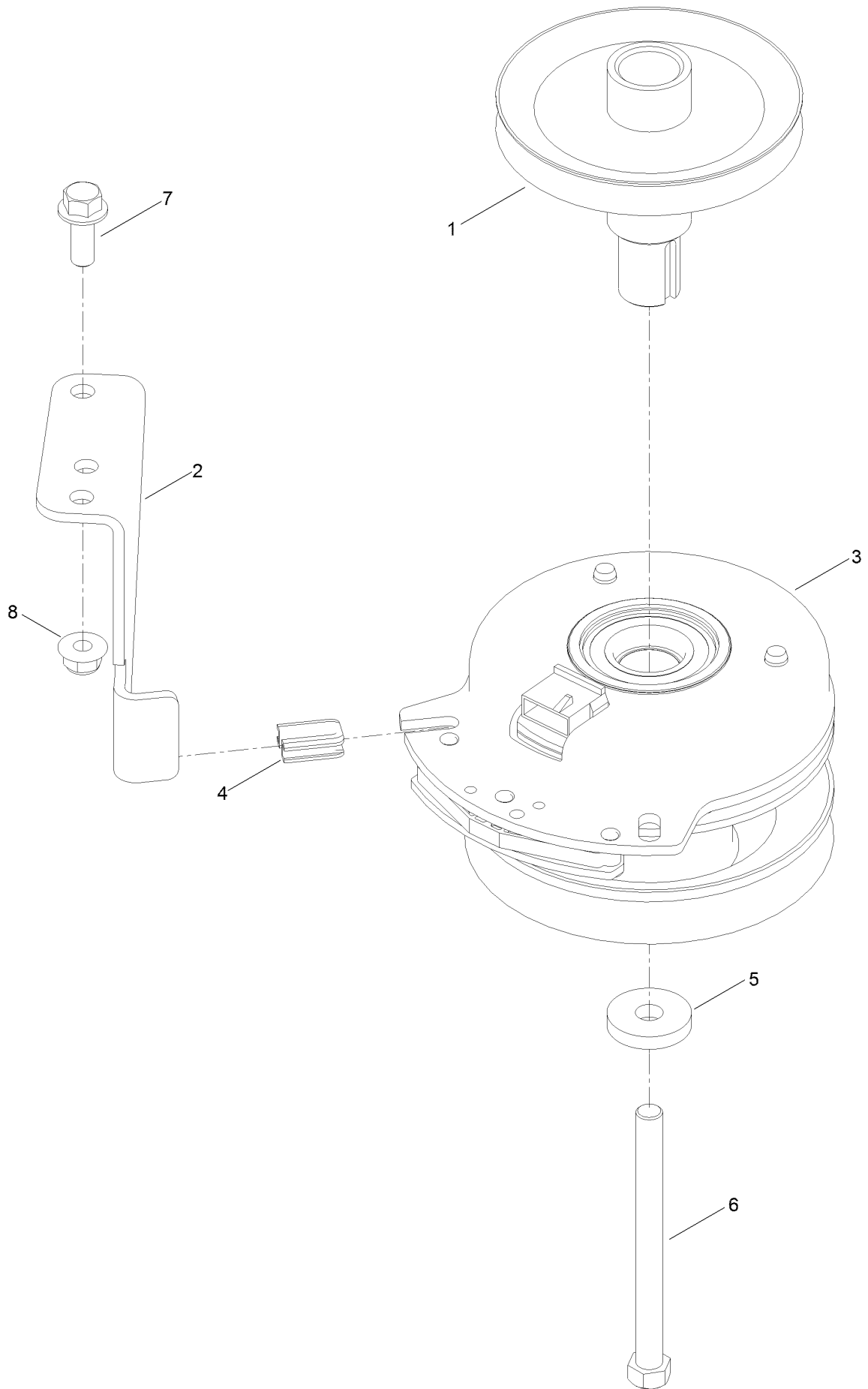




## Maintenance, HOC and Smart Speed Decal Assembly (continued)

<i>Ref.</i>	<i>Part Number</i>	<i>Qty.</i>	<i>Description</i>	<i>Ref.</i>	<i>Part Number</i>	<i>Qty.</i>	<i>Description</i>
1	136-5596	1	Decal-Maintenance	3	130-0654	1	Decal-HOC
2	136-4245	1	Decal-Smart Speed	4	121-5684	1	Decal-Location, Service Dealer

# Clutch Assembly



## Clutch Assembly (continued)

<i>Ref.</i>	<i>Part Number</i>	<i>Qty.</i>	<i>Description</i>	<i>Ref.</i>	<i>Part Number</i>	<i>Qty.</i>	<i>Description</i>
1	133-1208	1	Pulley-Engine	5	112843	1	Washer
2	137-7000	1	Stop-Clutch (Wide)	6	3212-19	1	Screw-HH
3	127-3410	1	Clutch-PTO	7	3234-42	1	Screw-HHF
4	120-2217	1	Isolator-Clutch	8	104-8301	1	Nut-HF, NI

# Attachments and Accessories

## For 75210 TimeCutter HD MyRide 48in Riding Mower

<b>Product Name</b>	<b>Model/Part</b>
All Season Synthetic Oil (10W30, QT) .....	117-0066
48in Striping Kit.....	119-3380
Leaf Bagging Enhancement Kit .....	119-3381
Jack Kit .....	127-6666
Fuel Stabilizer .05 oz .....	130-2393
4-Cycle Fuel, Snow And Lawn 32oz Can .....	131-3823
Toro Premium Fuel Treatment 12 Oz Bottle .....	131-6572
Deck Lift Assist Kit .....	132-6850
5 Gallon Bucket .....	133-2533
48in Recycler Kit.....	136-7488
Mount Kit .....	136-7491
Weight Kit .....	136-7492
Light Kit.....	136-7493
Bucket Mount.....	136-7494
Rops Kit .....	136-7495
Jack Mount Kit .....	136-9200
HD Shock and Spring Kit .....	137-2042
Sunshade Timecutter HD.....	137-7011
Product Cover-Timecutter HD.....	137-7012
10w30 4-Cycle Engine Oil (32oz Bottle).....	38280
Toro 4-Cycle SAE 30 Oil (32oz Bottle) .....	38903
EZ Vac Complete Twin Bagger .....	79345

**Notes:**

**Notes:**

**Notes:**



**Count on it.**