



**Count on it.**

**Parts Catalog**

**CT2240 Compact Triple 4-Wheel  
Drive**

**Turf Mower**

Model No. 30654—Serial No. 401430001 and Up



# Ordering Replacement Parts

To order replacement parts, please supply the part number, the quantity, and the description of each part desired.

## Understanding Reference Numbers

Each identified part in an illustration has a reference number. The reference number for a part also appears in the parts list, along with other information about the part.

This catalog uses two special reference number formats, one to indicate parts in a service assembly and another to indicate the quantity of a given part in an illustration.

## Service Assembly Reference Numbers

Parts in service assemblies have reference numbers in the form a:b. The a represents the reference number of the entire service assembly and the b represents a sequential number unique to each part within the service assembly.

For example, a wheel assembly might be identified by reference number 6, the tire by 6:1, the valve by 6:2, and the wheel by 6:3. When you order the assembly identified by reference number 6, you receive all parts identified by reference numbers 6:1, 6:2, and 6:3. However, you may also order any part individually. Reference numbers of this type appear in illustration and in parts lists.

## Reference Numbers Indicating Quantity

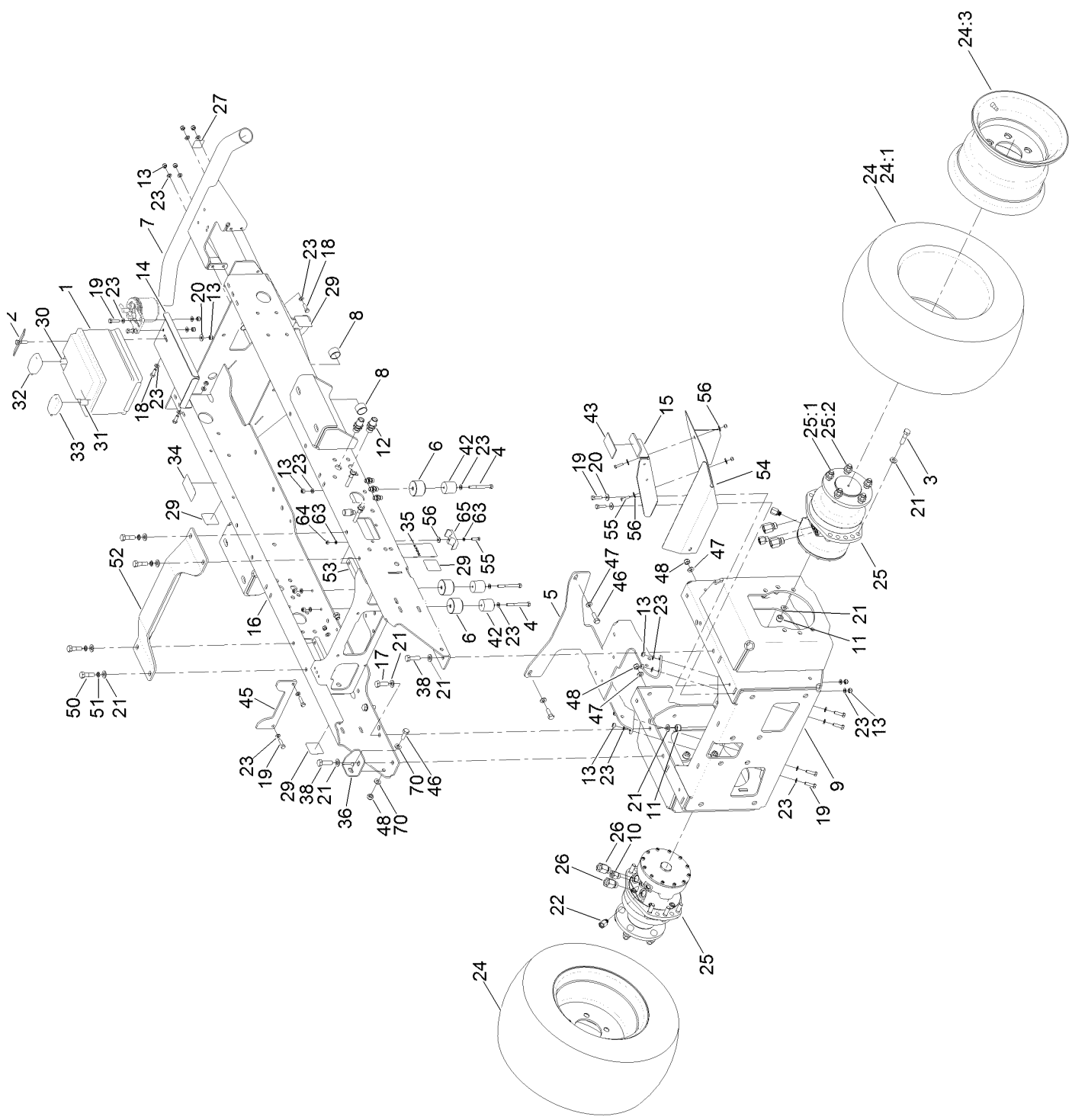
In an illustration, if a reference number indicates more than one part, the reference number has the form nX y. The n represents the quantity of the part, the X is the multiplication symbol, and the y represents the reference number.

For example, in an illustration, the reference number 2X 37 means that two of the parts identified by reference number 37 are indicated.

# Contents

Main Frame, Chassis, Front Wheel and Battery Assembly	4
Engine and Mounting Assembly	6
Radiator and Shroud Assembly	8
Rear Axle Assembly	10
Steering Column, Seat and Platform Assembly	12
Steering Column Assembly No. 111-6756	14
Pedal Control Assembly	16
Fuel Tank and Storage Pod Assembly	18
Hood Assembly	20
Front Lift Arm Assembly	22
Center Arm Assembly	24
Roll-Over Protection System Assembly	26
Transmission Hydraulic Circuit Assembly	28
Lift / Steer Hydraulic Circuit Assembly	30
Cutter Hydraulic Circuit Assembly	32
Hydraulic Oil Tank Assembly	34
Lift Manifold Assembly	36
Hydraulic Transimission Manifold Assembly	38
Transmission and Tandem Pump Assembly	40
Hydraulic Pump Assembly No. 111-6774	42
Rear Transmission Block Assembly	44
Control Panel Assembly	46
Filter Assembly	48
Cutter Component Assembly	50
Loom Kit	52
Electrical Assembly	54
Cutter Control Manifold Assembly	56
Crankcase Assembly	58
Oil Pan, Pump and Dipstick Assembly	59
Cylinder Head Assembly	60
Gear Case and Oil Filter Cartridge Assembly	61
Cylinder Head Cover Assembly	62
Main Bearing Case Assembly	63
Camshaft and Idle Gear Shaft Assembly	64
Piston and Crankshaft Assembly	65
Flywheel Assembly	66
Fuel Camshaft and Governor Shaft Assembly	67
Idle Apparatus and Stop Solenoid Assembly	68
Injection Pump and Fuel Pump Assembly	69
Governor Assembly	70
Speed Control Plate Assembly	71
Nozzle Holder and Glow Plug Assembly	72
Nozzle Holder Assembly	73
Alternator and Pulley Assembly	74
Alternator Components Assembly	75
Starter Assembly	76
Starter Component Assembly	77
Water Flange and Thermostat Assembly	78
Water Pump and Water Pipe Assembly	79
Valve and Rocker Arm Assembly	80
Inlet and Exhaust Manifold Assembly	81
Miscellaneous Engine Parts	82
Muffler Assembly	83
Fuel Filter Assembly	84
Attachments and Accessories	85

# Main Frame, Chassis, Front Wheel and Battery Assembly

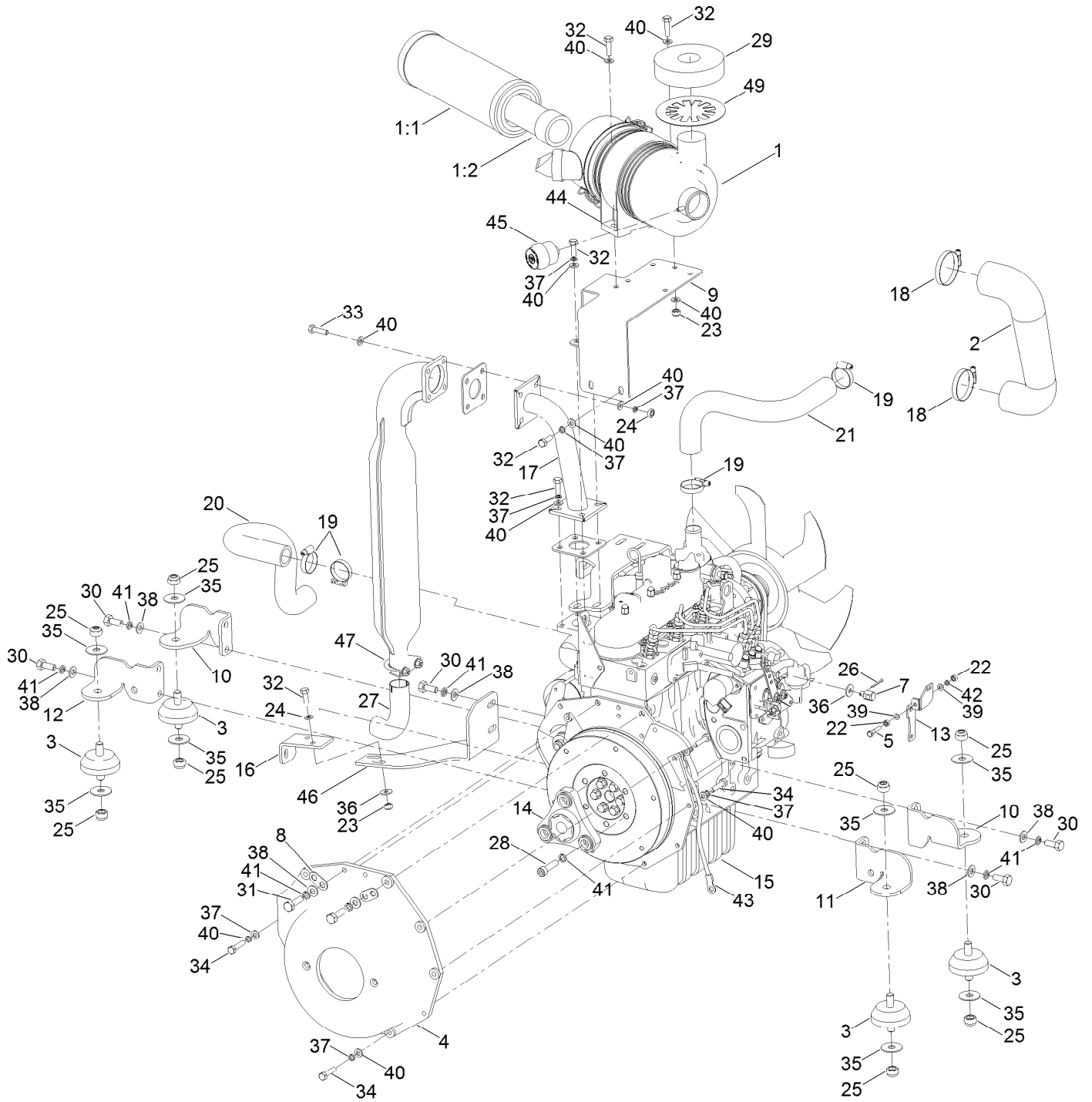


# Main Frame, Chassis, Front Wheel and Battery Assembly (continued)

<i>Ref.</i>	<i>Part Number</i>	<i>Qty.</i>	<i>Description</i>	<i>Ref.</i>	<i>Part Number</i>	<i>Qty.</i>	<i>Description</i>
1	70-09-015	1	Battery	25:2	74-07-016	5	Nut
2	70-01-340	1	Retainer-Battery	25:99	111-9650	1	Kit-Seal ●
3	09552	12	Screw-HH	26	111-3529	4	Adaptor
4	ZBH1H080U	4	Bolt	27	70-13-072	1	Decal
5	111-6791-03	1	Bracket-Manifold, Cutter	29	950832	4	Decal
6	111-5305	4	Bump-Stop	30	70-09-171	1	Terminal-Positive
7	111-3110-03	1	Bumper-Rear	31	70-09-172	1	Terminal-Negative
8	65-07-051	2	Bushing	32	111-3690	1	Cable-Battery, Positive
9	111-7284-03	1	Chassis-Front	33	70-09-170	1	Cable-Battery, Negative
10	111-3509	2	Adaptor	34	950889	1	Decal-Warning
11	ZNN1L000U	18	Nut-Nyloc	35	111-3901	1	Decal-Transmission, Oil
12	09-06-216	2	Adaptor-Bulkhead	36	111-7092-03	2	Bracket-Chassis, Universal
13	09441	21	Nut-Hex, NI	38	ZDH1L040U	2	Screw-HH
14	111-2599-03	1	Plate-Mount, Battery	42	61-07-003	4	Buffer-Rubber
15	111-3217-03	1	Support-Platform, Front (LH)	43	HY910808	1	Strip-Neoprene
16	111-7788-03	1	Chassis-Rear W/A	45	111-5538-03	1	Location-Plate
17	ZDH1L035U	4	Screw-HH	46	09392	4	Screw-HH
18	03162	6	Screw-HH	47	09479	4	Washer-Plain
19	09369	10	Screw-HH	48	ZNN1J000U	4	Nut-Hex, NI
20	09267	3	Washer	50	63-11-010	4	Bolt-HH
21	HY09485	40	Washer-Plain	51	09599	4	Washer-Lock
22	111-3538	2	Adaptor	52	111-7065-03	1	Brace
23	ZWP1H000U	36	Washer-Plain	53	111-7094	2	Brace-Chassis
24	111-6881	2	Wheel ASM	54	111-7335-03	1	Plate, Grass-Deflector
24:1	65-07-109	1	Tire	55	09364	3	Screw-HH
24:2	65-07-110	1	Tube-Inner ●	56	09262	5	Washer
24:3	111-6882	1	Wheel Rim	63	09472	2	Washer-Plain
25	111-6761	2	HYD Motor ASM	64	09438	1	Nut-Nyloc
25:1	111-7059	5	Stud-Wheel	65	56-7974	1	Clamp-Tube
				70	ZWQ1J000U	4	Washer-Plain

● Not illustrated

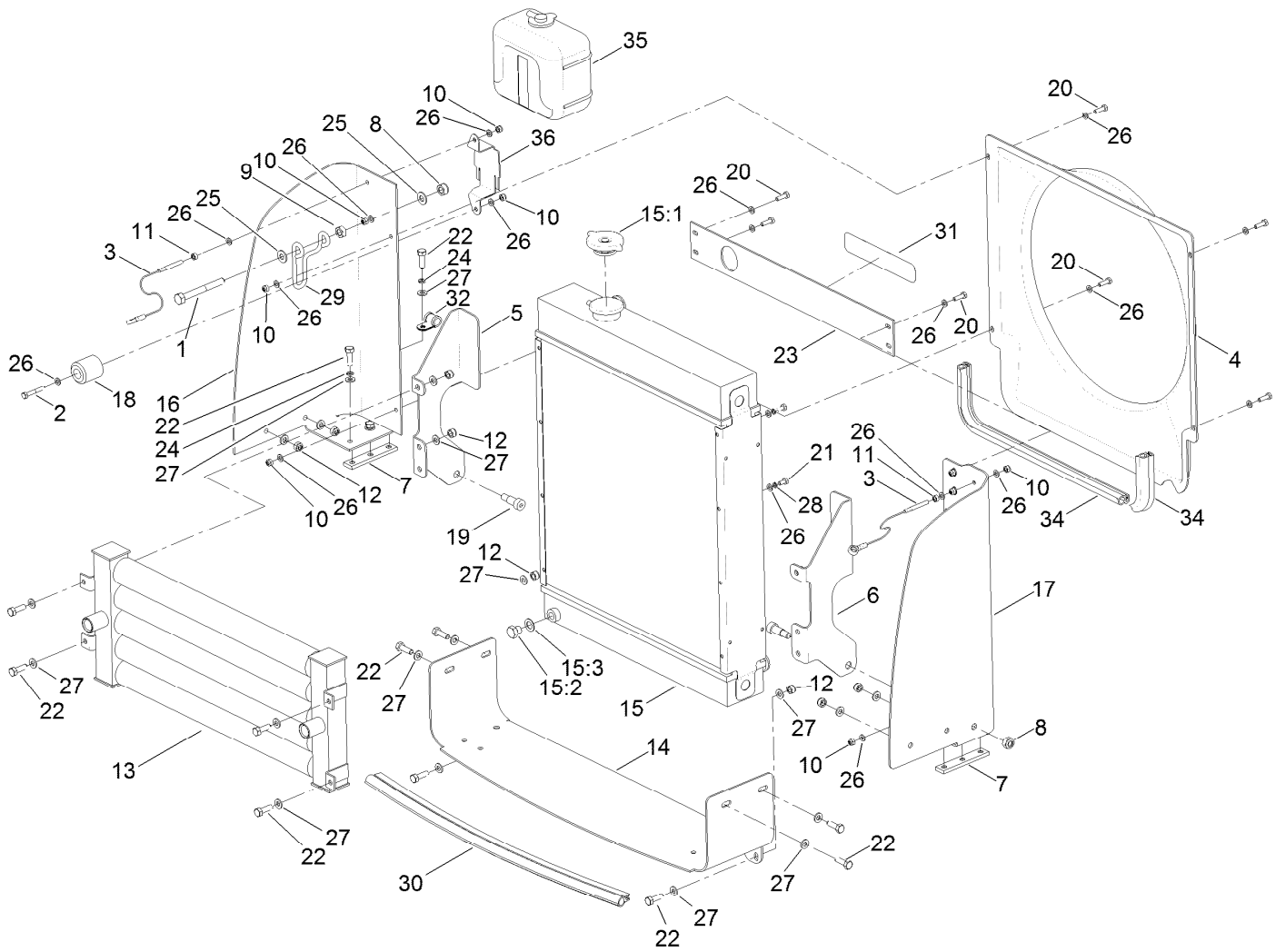
# Engine and Mounting Assembly



## Engine and Mounting Assembly (continued)

<i>Ref.</i>	<i>Part Number</i>	<i>Qty.</i>	<i>Description</i>	<i>Ref.</i>	<i>Part Number</i>	<i>Qty.</i>	<i>Description</i>
1	111-3805	1	Air Filter ASM	24	ZNH1H000U	4	Nut-Hex
1:1	111-3808	1	Filter-Element, Main	25	09231	8	Nut-Hex
1:2	111-3809	1	Filter-Element, Safety	26	70-11-005	1	Pin-Split
2	111-3554	1	Intake-Hose, Air	27	940213	1	Tail Pipe-Exhaust
3	910816	4	Isomount-Engine	28	111-3806	3	Screw-HSH
4	922851	1	Housing-Bell	29	111-3555	1	Seal-Air Intake
5	09547	1	Screw-HH	30	50-11-005	10	Screw-HH
7	111-3298	1	Pivot-Throttle, Boss	31	111-0597	2	Screw-HH
8	74-01-327	2	Bracket-Loom, Tie	32	03162	12	Screw-HH
9	111-3036-03	1	Bracket-Air Cleaner	33	09369	4	Screw-HH
10	111-3043-03	2	Bracket-Mount, Engine	34	ZDH1H035U	8	Screw-HH
11	111-3238-03	1	Bracket-Engine Mount, Front (LH)	35	09283	8	Washer
12	111-3239-03	1	Bracket-Engine Mount, Front (RH)	36	09267	3	Washer
13	111-3299-03	1	Bracket-Throttle	37	03469	18	Washer-Spring
14	111-2556	1	Coupling	38	ZWQ1J000U	12	Washer-Plain
15	111-2376	1	Engine-Kubota, D1105 E2B	39	ZWP1F000U	2	Washer-Plain
16	111-9825-03	1	Bracket-Exhaust, Lower	40	ZWP1H000U	24	Washer-Plain
17	111-3038	1	Flange-Exhaust	41	09480	15	Washer-Lock
18	910936	2	Clip-Jubilee	42	09474	1	Washer-Spring
19	924438	4	Clamp-Hose	43	70-09-023	1	Cable-Earth
20	111-2567	1	Hose-Radiator, Bottom	44	111-3807	1	Bracket-Mounting, Air Filter
21	910921	1	Hose-Top	45	953870	1	Indicator-Filter Blockage
22	09437	2	Nut	46	111-9824-03	1	Bracket-Exhaust, Lower
23	09441	4	Nut-Hex, NI	47	111-9717	1	Clamp-Exhaust
				49	111-6937-03	1	Washer-Pad, Intake Air

# Radiator and Shroud Assembly

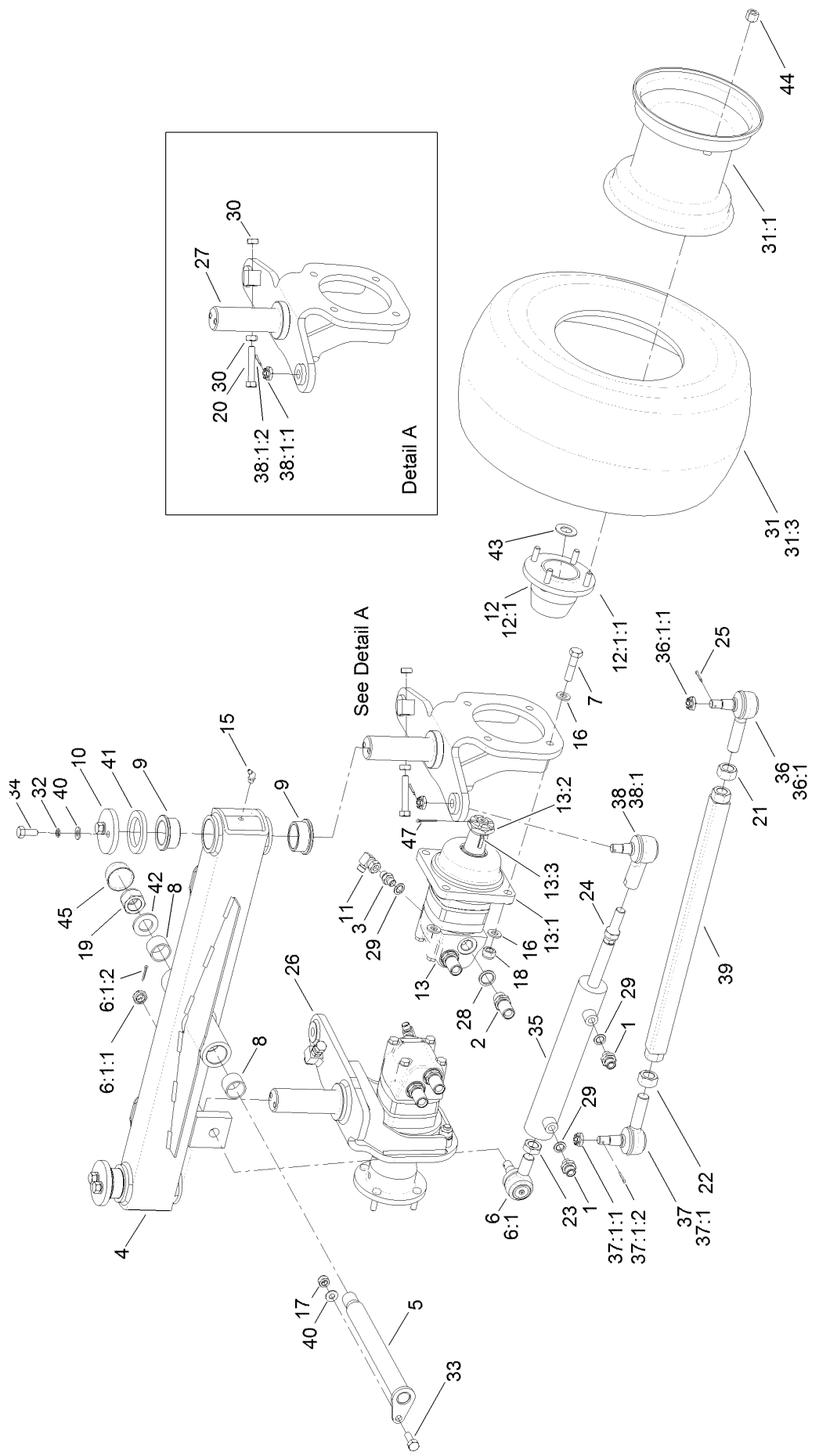




## Radiator and Shroud Assembly (continued)

<i>Ref.</i>	<i>Part Number</i>	<i>Qty.</i>	<i>Description</i>	<i>Ref.</i>	<i>Part Number</i>	<i>Qty.</i>	<i>Description</i>
1	ZBH1J090U	1	Screw-HH	17	111-3007-03	1	Bracket-Radiator, RH
2	ZBH1F040U	2	Screw-HH	18	61-07-003	2	Buffer-Rubber
3	924825	2	Cable-Stay, Cover	19	ZIS1J020S	2	Bolt-Shoulder, Socket Head
4	111-3301	1	Cowl-Fan	20	09363	8	Screw-HH
5	111-3010-03	1	Hinge-Oil Cooler, LH	21	09361	6	Screw-HH
6	111-3011-03	1	Hinge-Oil Cooler, RH	22	03162	16	Screw-HH
7	111-3281	2	Bar-Nut	23	111-3008-03	1	Seal-Top
8	ZNN1J000U	3	Nut-Hex, NI	24	03469	6	Washer-Spring
9	09449	1	Nut	25	ZWQ1J000U	2	Washer-Plain
10	09438	12	Nut-Nyloc	26	09472	30	Washer-Plain
11	09437	2	Nut	27	ZWP1H000U	24	Washer-Plain
12	09441	10	Nut-Hex, NI	28	09474	6	Washer-Spring
13	70-06-171	1	Cooler-Oil	29	104-5429	1	Clamp-Form, Wire
14	111-3009-03	1	Plate-Seal, Lower	30	994808	3	Excluder-Draught
15	111-5193	1	Radiator ASM	31	111-3902	1	Decal-Engine, Fan/Radiator
15:1	111-0698	1	Cap-Radiator	32	111-6082	1	Clamp-Cable
15:2	30-06-200	1	Plug-HYD	34	111-7053	1	Seal-Bubble, Side
15:3	200134	1	Washer	35	111-7452	1	Tank-Reserve, Coolant
16	111-3006-03	1	Bracket-Radiator, LH	36	108-9930-03	1	Bracket-Bottle

# Rear Axle Assembly



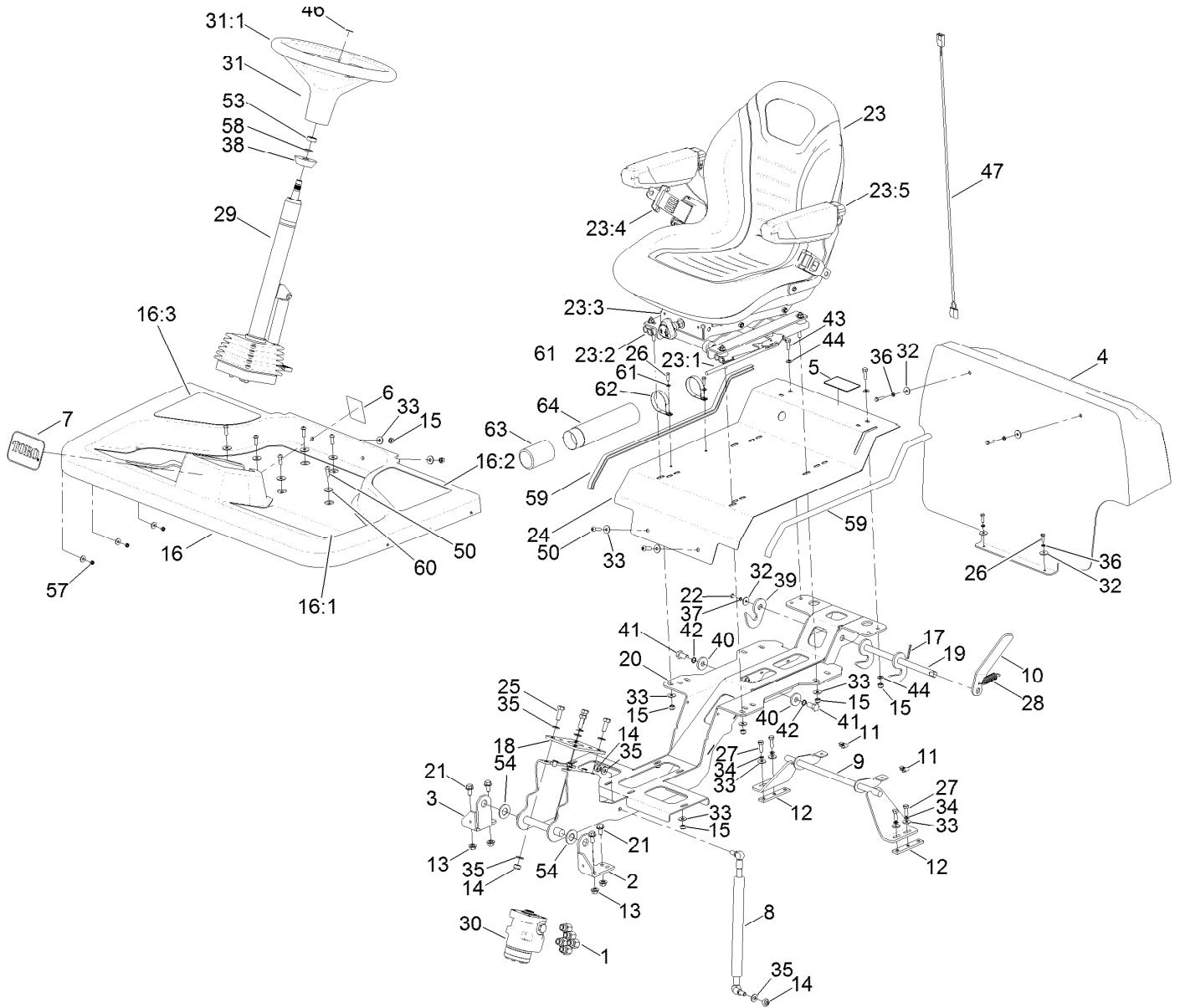
## Rear Axle Assembly (continued)

<i>Ref.</i>	<i>Part Number</i>	<i>Qty.</i>	<i>Description</i>	<i>Ref.</i>	<i>Part Number</i>	<i>Qty.</i>	<i>Description</i>
1	50-06-009	2	Adaptor-BSP	28	10-06-032	4	Seal-Dowty
2	09-06-216	4	Adaptor-Bulkhead	29	10-06-030	4	Seal-Dowty
3	10-06-085	2	Adaptor	30	09449	4	Nut
4	111-4995-03	1	Axle-Rear	31	111-6880	2	Wheel ASM
5	111-3265	1	Pin-Axle	31:1	111-6877	1	Rim-Wheel
6	111-6578-03	1	Joint-Ball	31:2	72-07-068	1	Tube-Inner ●
6:1		1	Ball Joint ●■	31:3	922804	1	Tyre, 18X9.50-8 (6 Ply)
6:1:1	111-5116	1	Nut-Castle	32	09480	4	Washer-Lock
6:1:2	09306	1	Pin-Split	33	09392	1	Screw-HH
7	09552	8	Screw-HH	34	09395	4	Screw-HH
8	70-05-031	2	Bushing	35	111-9940	1	Steering Cylinder ASM
9	111-3681	4	Bushing-Flanged, Oilite	35:99	111-9939	1	Seal Kit ●
10	70-01-197	2	Cap-Washer	36	71-4740-03	1	RH Tie Rod End ASM
11	31-06-004	2	Elbow-Compact	36:1		1	End-Rod, Tie (RH) ●■
12	111-5176-03	2	Wheel Hub ASM	36:1:1	105-7941	1	Nut-Hex, Slotted ●
12:1		1	Hub-Wheel ■	36:1:2	105-7835	1	Seal ●
12:1:1	65-07-019	4	Stud-Wheel ●	36:1:3	302-5	1	Fitting-Grease
13	111-9745	2	HYD Motor ASM	37	2411-46-03	1	LH Tie Rod ASM
13:1	111-9864	1	Seal Kit	37:1		1	End-Rod, Tie (LH) ●■
13:2	70-06-081	1	Castle-Nut	37:1:1	302-5	1	Fitting-Grease ●
13:3	70-06-089	1	Key	37:1:2	105-7835	1	Seal ●
15	63-07-027	3	Zerk-Grease, BSP (90 DEG)	37:1:3	105-7941	1	Nut-Hex, Slotted ●
16	HY09485	16	Washer-Plain	38	111-5087-03	1	Joint-Ball
17	ZNN1J000U	1	Nut-Hex, NI	38:1		1	Joint-Ball ●■
18	09650	8	Nut-Hex, Nyloc	38:1:1	111-5116	1	Nut-Castle ●
19	ZNN1X000U	1	Nut-Hex, Nyloc	38:1:2	09306	1	Pin-Split ●
20	ZDH1J060U	2	Setscrew-HH	39	111-7924-03	1	Rod-Tie
21	84-5300	1	Nut-Jam	40	ZWQ1J000U	5	Washer-Plain
22	110-5337	1	Nut-Jam	41	70-07-149	2	Washer-Felt
23	09828	1	Nut	42	09555	1	Washer
24	09827	1	Nut	43	ZWP1T000U	2	Washer-Plain
25	70-11-005	2	Pin-Split	44	65-07-009	8	Nut-Wheel, Dome
26	111-4982-03	1	RH Rear Yoke ASM	45	10-11-100	1	Cap-Nut
27	111-4983-03	1	LH Rear Yoke ASM	47	70-11-004	2	Pin-Split

● Not illustrated

■ Not serviced separately

# Steering Column, Seat and Platform Assembly

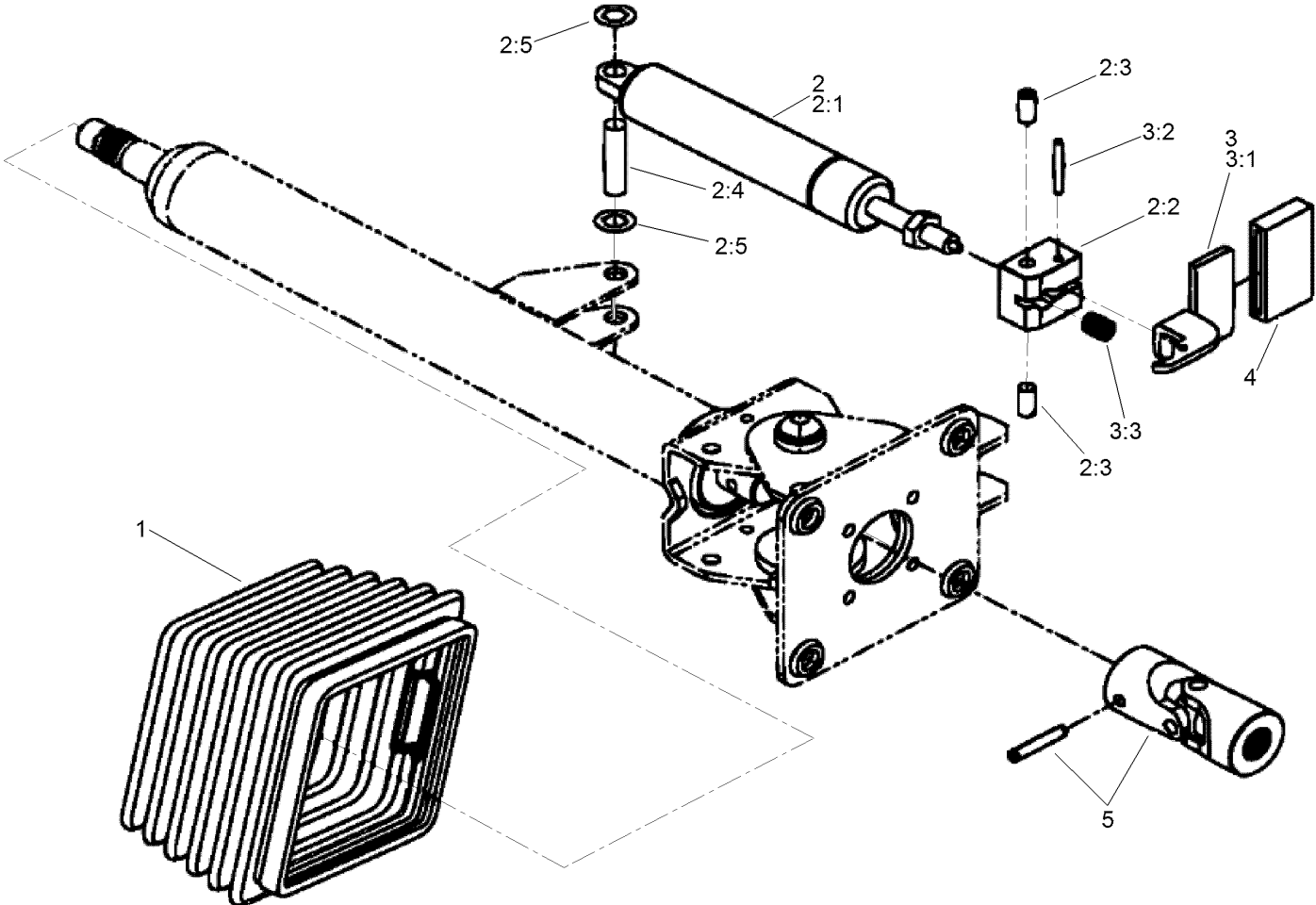


# Steering Column, Seat and Platform Assembly (continued)

<i>Ref.</i>	<i>Part Number</i>	<i>Qty.</i>	<i>Description</i>	<i>Ref.</i>	<i>Part Number</i>	<i>Qty.</i>	<i>Description</i>
1	111-3509	5	Adaptor	27	03162	4	Screw-HH
2	111-3243-03	1	Bracket-Platform Pivot, LH	28	70-07-063	1	Spring-Extension
3	111-2665-03	1	Bracket-Platform Pivot, RH	29	111-6756	1	Steering Column ASM
4	111-3293	1	Bulkhead	30	111-7464	1	Valve-Control, Steering
5	111-3566	1	Decal-Latch, Platform	30:99	94-4095	1	Centering Spring Kit ●
6	111-3562	1	Decal	30:99	130-8358	1	Seal Kit ●
7	67-1300	1	Decal	31	98-1471	1	Wheel-Steering
8	111-9857	1	Gas Strut	31:1	98-1468	1	Cover-Wheel, Steering
9	111-3140-03	1	Bar-Latch	32	09263	5	Washer
10	111-3269-03	1	Lever-Latch, Platform	33	09267	20	Washer
11	410076	2	Nut	34	03469	4	Washer-Spring
12	111-3281	2	Bar-Nut	35	ZWQ1J000U	10	Washer-Plain
13	63-11-015	4	Nut-Flanged	36	09264	4	Washer-Spring
14	ZNN1J000U	6	Nut-Hex, NI	37	09474	1	Washer-Spring
15	09441	16	Nut-Hex, NI	38	93-5429	1	Collar-Foam
16	111-9744	1	Operator Platform ASM	39	111-3268	1	Latch-Plate, Platform
16:1	111-3506	1	Mat-Floor	40	63-01-115	2	Washer
16:2	111-3507	1	Mat-Side, LH	41	09571	2	Screw-HH
16:3	111-3508	1	Mat-Side, RH	42	09599	2	Washer-Lock
17	70-11-004	1	Pin-Split	43	03162	2	Screw-HH
18	111-2899-03	1	Plate-Mount, Pump (Steering)	44	ZWP1H000U	4	Washer-Plain
19	111-3266	1	Latch-Platform	46	98-1459	1	Decal
20	111-9565-03	1	Support-Platform	47	111-6186	1	Cable-Seat, Beacon
21	63-11-018	4	Screw-Durloc	50	ZHS1H025U	8	Screw-HSBH
22	09362	1	Screw-HH	53	09827	1	Nut
23	111-3500	1	Seat ASM (W/Seat Belt)	54	09499	2	Washer
23:1	111-3498	1	Adjuster-Rail, Seat	57	09438	2	Nut-Nyloc
23:2	111-3499	1	Rail-Adjuster, Slave	58	HY4200	1	Washer-Spring
23:3	111-3501	1	Suspension-Seat	59	50-08-001	2	Edging-Rubber
23:4	111-3502	1	Seat Belt ASM	60	09270	6	Washer-Plain
23:5	111-3511	1	Arm Rest Kit	61	09472	4	Washer-Plain
23:6	111-3674	1	Switch-Seat ●	62	107-1865	2	R-Clamp
24	111-3069-03	1	Pan-Seat	63	104-7048	1	Cap-Housing
25	09392	4	Screw-HH	64	104-7050	1	Tube-Manual
26	09363	4	Screw-HH	99	994808	1	Excluder-Draught ●

● Not illustrated

# Steering Column Assembly No. 111-6756



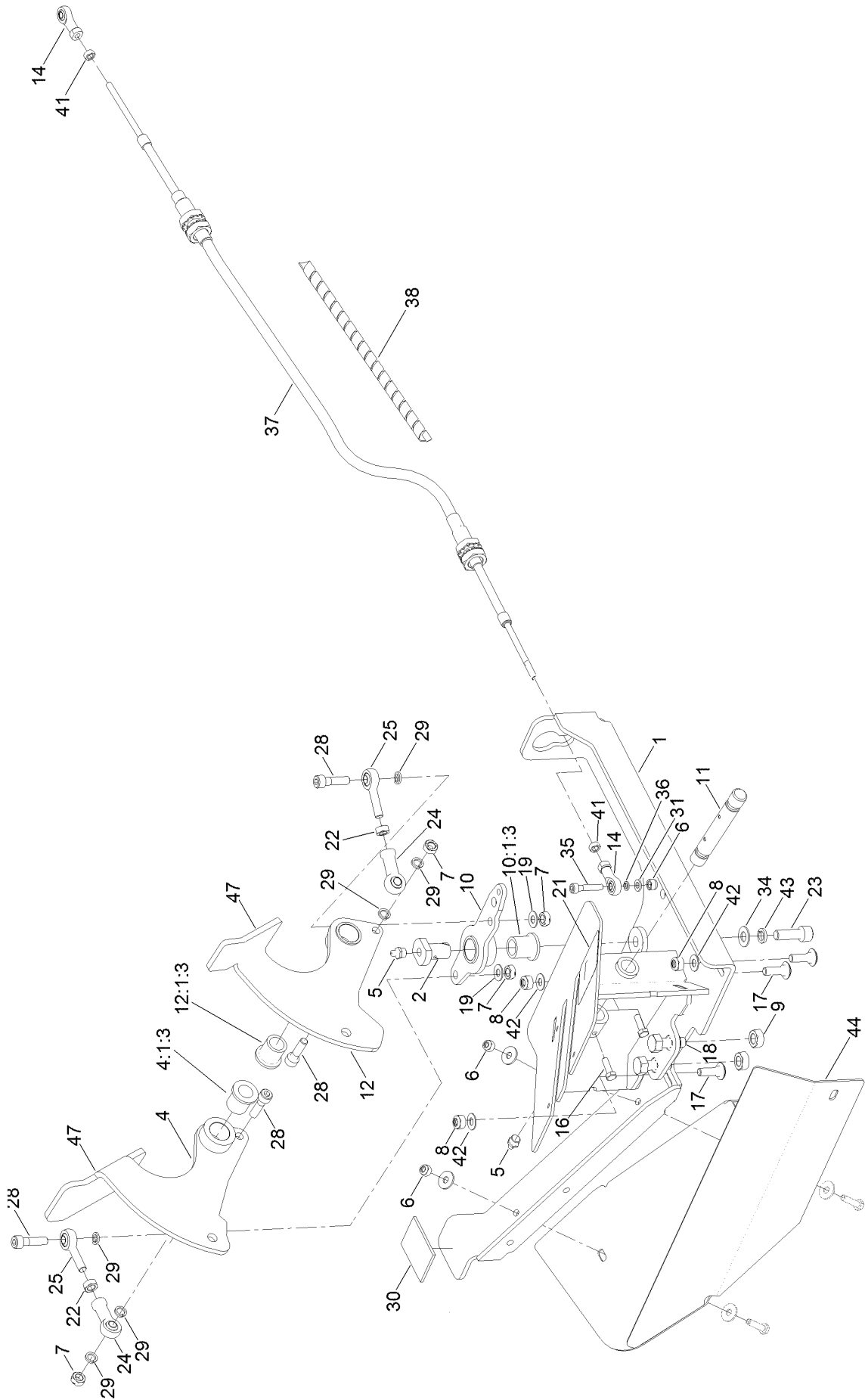
# Steering Column Assembly No. 111-6756 (continued)

<i>Ref.</i>	<i>Part Number</i>	<i>Qty.</i>	<i>Description</i>	<i>Ref.</i>	<i>Part Number</i>	<i>Qty.</i>	<i>Description</i>
1	110-6462	1	Bellows-Rubber	3	110-6464	1	Pedal Service Kit
2	110-6463	1	Cylinder Service Kit	3:1		1	Pedal ■
2:1		1	Cylinder-Gas ■	3:2		1	Pin ■
2:2		1	Block-Pedal ■	3:3		1	Spring ■
2:3		2	Bolt ■	4	110-6465	1	Cover-Pedal ●
2:4		1	Pin ■	5	111-7314	1	Universal Joint Kit ●
2:5		2	Washer-Lock ■				

● Not illustrated

■ Not serviced separately

# Pedal Control Assembly

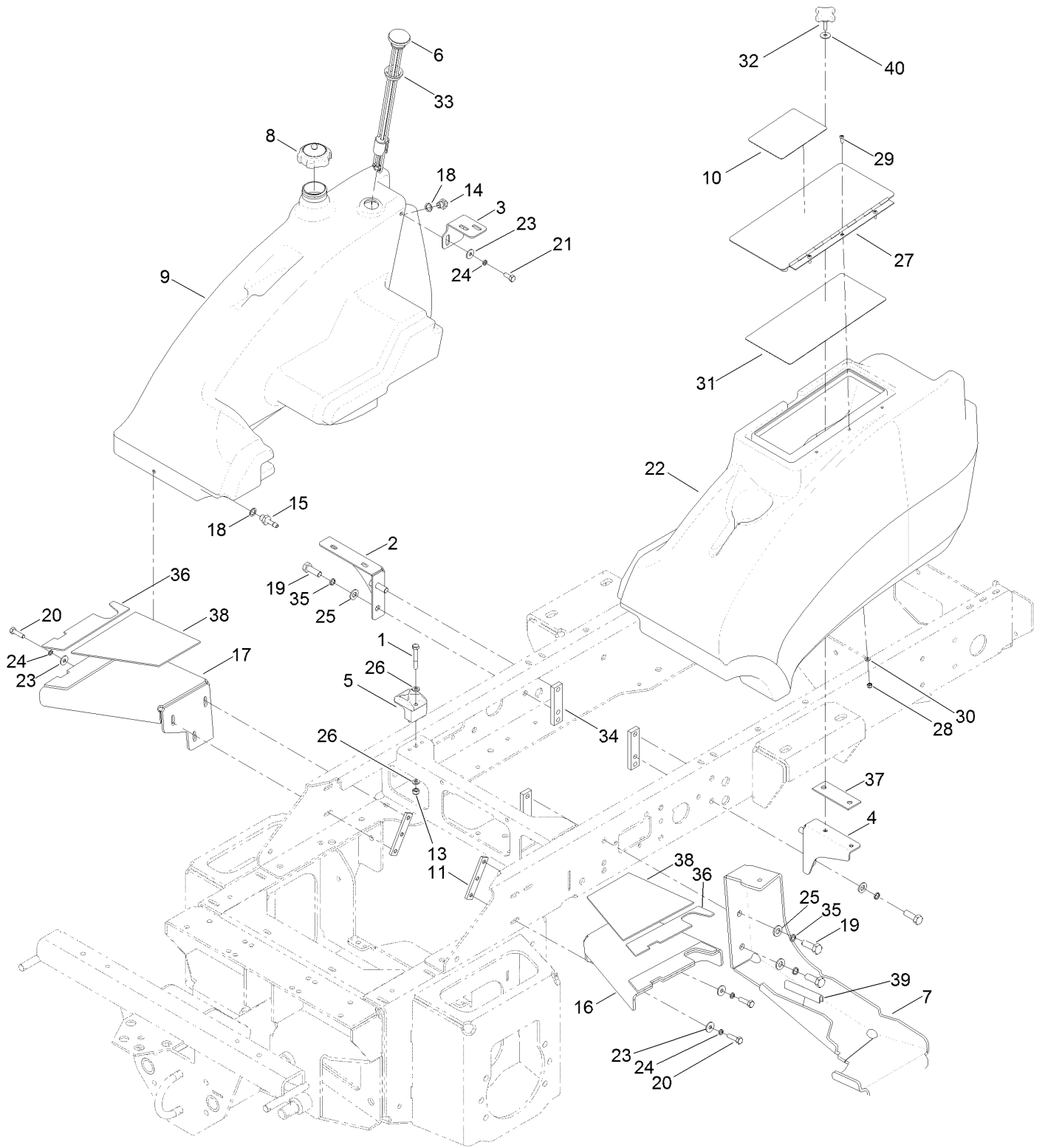




## Pedal Control Assembly (continued)

<i>Ref.</i>	<i>Part Number</i>	<i>Qty.</i>	<i>Description</i>	<i>Ref.</i>	<i>Part Number</i>	<i>Qty.</i>	<i>Description</i>
1	111-7175-03	1	Pedal-Mounting	21	111-3567	1	Decal-Pedal, Operation
2	111-7122	1	Boss-Pedal, Link	22	ZNH1H000U	2	Nut-Hex
4	111-9243-03	1	Forward Pedal ASM	23	ZCS1J030U	1	Screw-Soc
4:1:3	953868	1	Bushing-Flange, Oilite	24	111-2896	2	Rod-End, Female
5	10-11-017	2	Fitting-Straight	25	111-6147	2	Rod End
6	09544	1	Nut-Nyloc	28	ZCS1H030U	4	Screw-Cap
7	ZNB1H000U	4	Nut	29	111-6948	6	Washer-Spring
8	09441	3	Nut-Hex, NI	30	HY910808	1	Strip-Neoprene
9	09449	2	Nut	31	09472	1	Washer-Plain
10	111-7068-03	1	Pedal Link ASM	34	09479	1	Washer-Plain
10:1:3	953868	1	Bushing-Flange, Oilite	35	111-4586	1	Screw-HSH
11	111-1310	1	Pin-Control, Pedal	36	09474	1	Washer-Spring
12	111-9244-03	1	Reverse Pedal ASM	37	111-7267	1	Cable-Transmission
12:1:3	953868	1	Bushing-Flange, Oilite	38	111-6133	1	Guard-Spiral
14	111-4579	2	Rod End-Female/Female	41	09437	2	Nut
16	09363	2	Screw-HH	42	09267	3	Washer
17	09373	3	Bolt-Coach	43	09480	1	Washer-Lock
18	09392	2	Screw-HH	44	111-7336-03	1	Plate-Grass, Deflector (RH)
19	09475	2	Washer	47	70-07-067	1	Tape-Slip, Anti

# Fuel Tank and Storage Pod Assembly



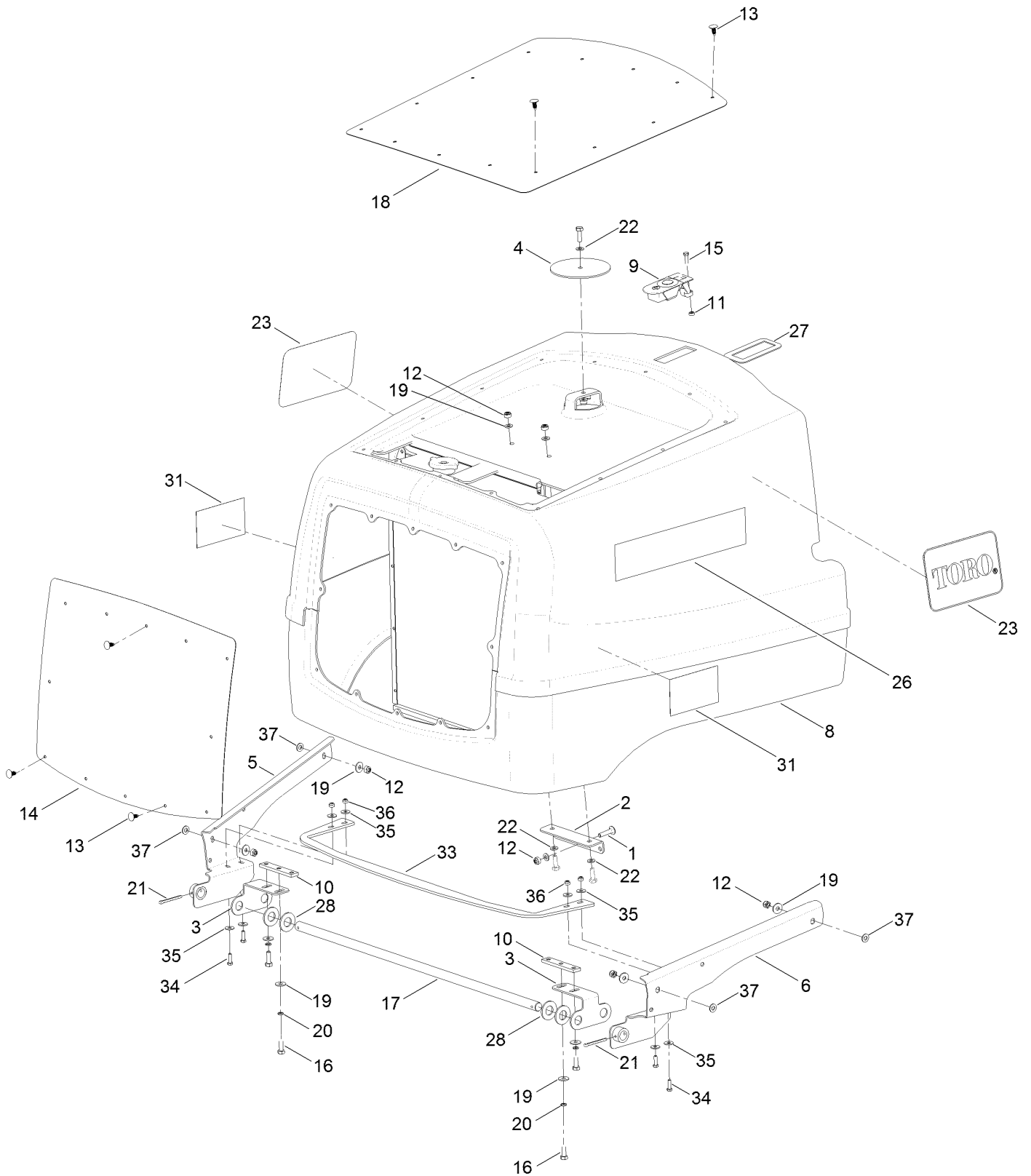
## Fuel Tank and Storage Pod Assembly (continued)

<i>Ref.</i>	<i>Part Number</i>	<i>Qty.</i>	<i>Description</i>	<i>Ref.</i>	<i>Part Number</i>	<i>Qty.</i>	<i>Description</i>
1	09565	1	Screw-HH	24	03469	6	Washer-Spring
2	111-3452-03	1	Bracket-Fuel Tank	25	HY09485	6	Washer-Plain
3	111-3453-03	1	Bracket-Fuel Tank, Upper	26	ZWP1H000U	2	Washer-Plain
4	111-3424-03	1	Bracket-Pod, Storage	27	111-7242-03	1	Cover-Storage
5	107-4543	1	Clamp	27:1		1	Cover Assembly Storage Pod ●■
6	104-5603	1	Gauge-Level, Fuel	27:1:4	134-2164	1	Plug-Lid, Storage ●
7	111-5364-01	1	Bracket-Step	28	09430	3	Nut-Nyloc
8	111-3531	1	Cap-Fuel	29	111-3381	3	Screw-HSBH
9	111-3294	1	Tank-Fuel	30	09470	3	Washer
10	111-8098	1	Decal-Warning, Inclines	31	111-7249	1	Decal-Maintenance
11	111-3281	2	Bar-Nut	32	111-3666	3	Handwheel
13	09441	1	Nut-Hex, NI	33	95-8972	1	Grommet
14	910352	1	Pipe-Return, Fuel	34	111-4490	3	Bar-Nut
15	910351	1	Pipe-Suction, Fuel	35	09599	6	Washer-Lock
16	111-9042-03	1	Support-Platform	36	111-9044	2	Pad-Support, Outer
17	111-9041-03	1	Support-Platform	37	111-5388	1	Pad-Rubber, Storage Pod
18	111-3925	2	Washer-Fiber	38	111-9043	2	Pad-Support, Inner
19	ZDH1L035U	6	Screw-HH	39	50-08-001	1	Edging-Rubber
20	09369	4	Screw-HH	40	111-7658	3	Washer
21	09368	2	Screw-HH	99	70-07-067	1	Tape-Slip, Anti ●
22	111-3295	1	Pod-Storage				
23	09267	6	Washer				

● Not illustrated

■ Not serviced separately

# Hood Assembly

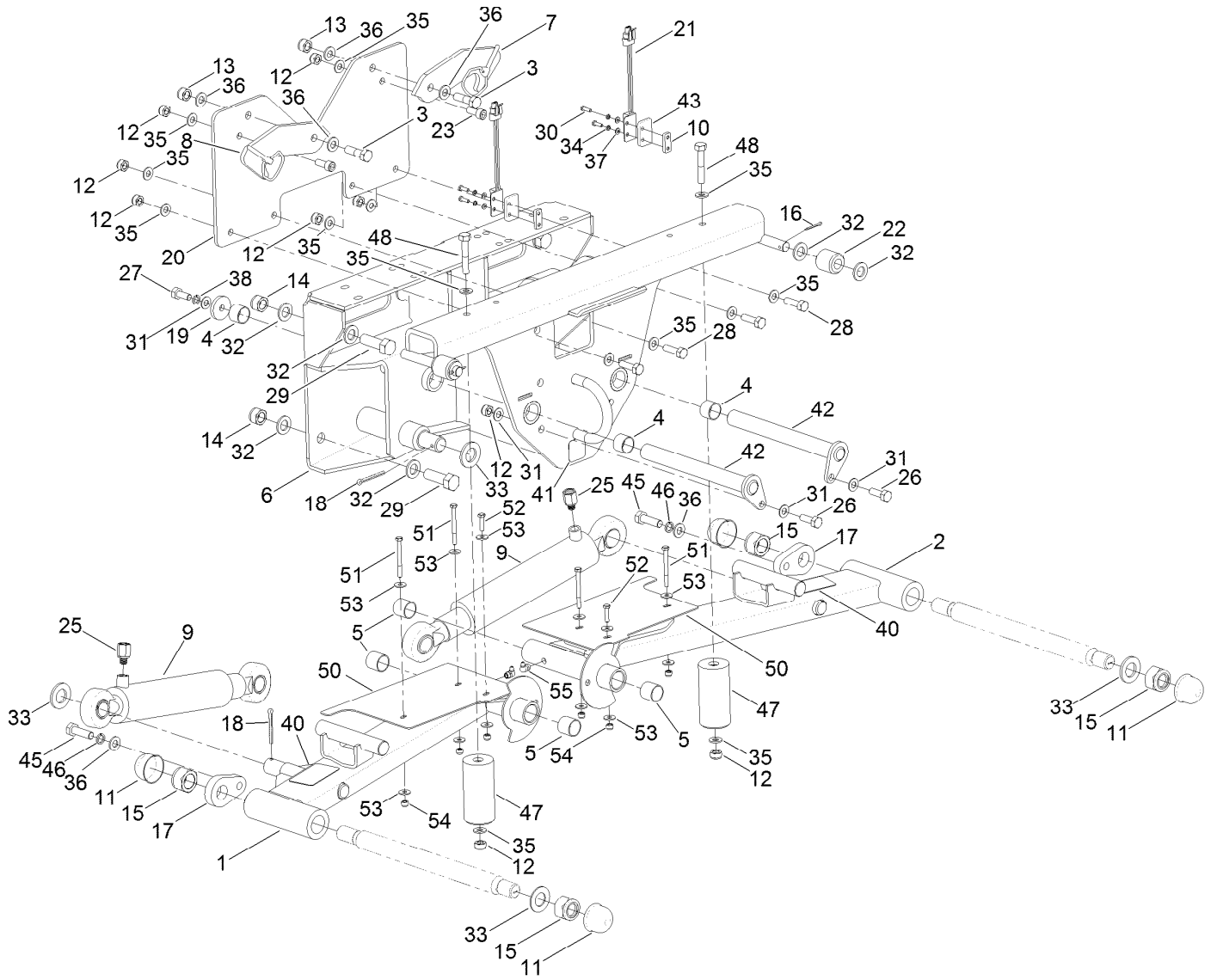


## Hood Assembly (continued)

<i>Ref.</i>	<i>Part Number</i>	<i>Qty.</i>	<i>Description</i>	<i>Ref.</i>	<i>Part Number</i>	<i>Qty.</i>	<i>Description</i>
1	09369	1	Screw-HH	18	111-6918-03	1	Screen-Top
2	111-2111-03	1	Bracket-Engine, Cover	19	09267	11	Washer
3	111-7483-03	2	Bracket, Hinge-Shaft	20	03469	4	Washer-Spring
4	111-3557-03	1	Cover-Air, Intake	21	74-11-003	2	Pin-Split
5	111-3490-03	1	Hinge-Cover, Engine (LH)	22	ZWP1H000U	4	Washer-Plain
6	111-3491-03	1	Hinge-Cover, Engine (RH)	23	111-3728	2	Decal
8	111-6920	1	Cover-Engine	26	111-7311	2	Decal
9	950831	1	Latch-Sealed, Lever	27	111-4158-03	1	Plate-Support, Latch
10	111-3281	2	Bar-Nut	28	09499	4	Washer
11	09437	1	Nut	31	94-8099	2	Decal
12	09441	8	Nut-Hex, NI	33	111-8236-03	1	Plate-Tie, Cover
13	117-2382	26	Plug-Plastic	34	09363	4	Screw-HH
14	111-6919-03	1	Screen-Rear	35	09262	8	Washer
15	09364	1	Screw-HH	36	09438	4	Nut-Nyloc
16	03162	4	Screw-HH	37	09475	4	Washer
17	111-7482	1	Shaft-Hinge, Cover	99	111-7488	5	Seal-Cover, Screen ●

● Not illustrated

# Front Lift Arm Assembly

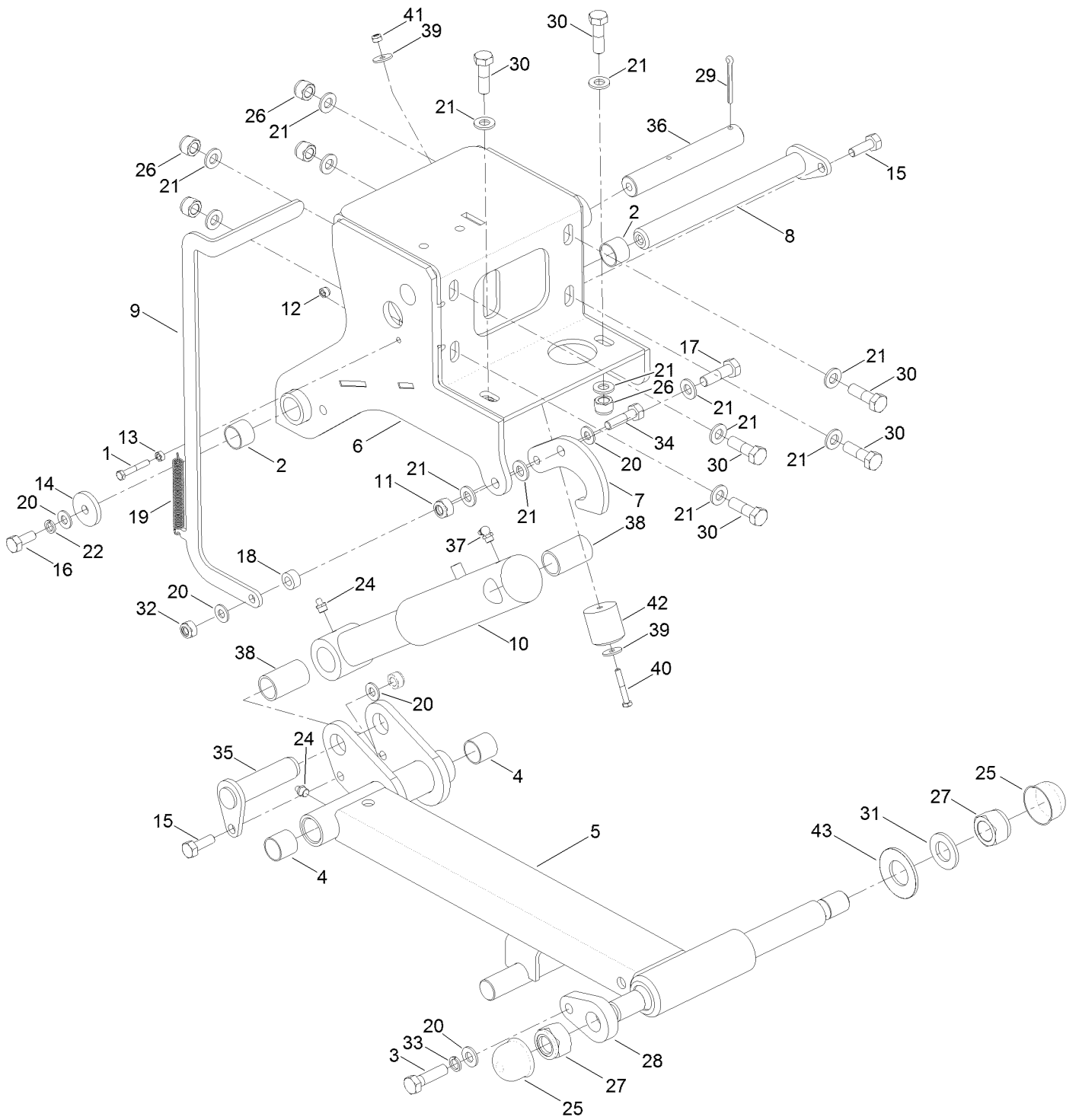


## Front Lift Arm Assembly (continued)

<i>Ref.</i>	<i>Part Number</i>	<i>Qty.</i>	<i>Description</i>	<i>Ref.</i>	<i>Part Number</i>	<i>Qty.</i>	<i>Description</i>
1	111-1390-03	1	Arm-Front, RH	27	09395	2	Screw-HH
2	111-4100-03	1	Arm-Front, LH	28	ZDH1J035U	4	Screw-HH
3	63-11-010	2	Bolt-HH	29	ZDH1P050U	8	Screw-HH
4	74-07-028	4	Bushing	30	ZDH1E016U	4	Screw-HH
5	876066	4	Bushing	31	09479	6	Washer-Plain
6	111-8096-03	1	Frame-Pivot, Arm	32	09491	20	Washer-Plain
7	111-7922-01	1	Plate-Latch, LH	33	09555	6	Washer
8	111-7921-01	1	Plate-Latch, RH	34	09644	4	Washer-Spring
9	111-1998	2	HYD Lift Cylinder ASM	35	ZWQ1J000U	14	Washer-Plain
9:1	111-2561	2	Fitting-Grease ●	36	HY09485	6	Washer-Plain
9:2	111-3471	1	Seal Kit ●	37	09470	4	Washer
10	111-3336	2	Bar-Switch, Proximity	38	09480	2	Washer-Lock
11	10-11-100	4	Cap-Nut	40	70-13-077	2	Decal-Danger
12	ZNN1J000U	10	Nut-Hex, NI	41	70-13-072	1	Decal
13	09650	2	Nut-Hex, Nyloc	42	111-3248	2	Pin-Pivot, Front Arm
14	09456	8	Nut	43	111-3676	2	Spacer-Switch, Proximity
15	ZNN1X000U	4	Nut-Hex, Nyloc	45	ZDH1L040U	2	Screw-HH
16	70-11-005	2	Pin-Split	46	09599	2	Washer-Lock
17	63-01-185W	2	Retainer-Pin	47	111-4157	2	Stop-Bump
18	74-11-003	4	Pin-Split	48	09397	2	Bolt
19	111-3366	2	Plate-Retaining, Bush	50	111-6822-03	2	Deflector-Arm, Mounted
20	111-7240-03	1	Plate-Mount, Latch	51	09703	4	Bolt-HH
21	105-0023	2	Switch-Proximity	52	09364	2	Screw-HH
22	922112	2	Roller	53	09262	12	Washer
23	ZCS1J025U	2	Screw-HSH	54	09544	6	Nut-Nyloc
25	111-3538	2	Adaptor	55	63-07-027	2	Zerk-Grease, BSP (90 DEG)
26	09392	2	Screw-HH				

● Not illustrated

# Center Arm Assembly



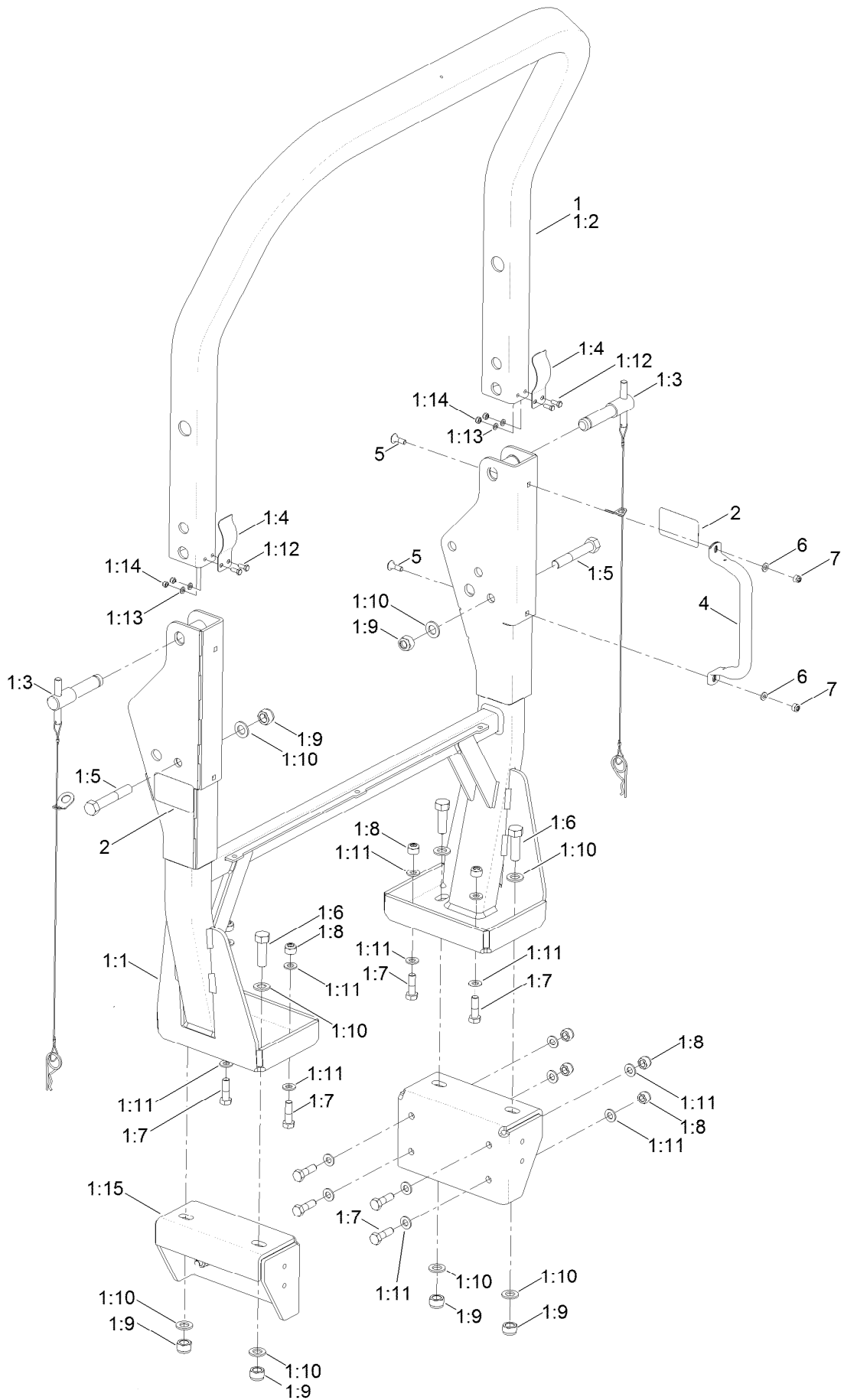


## Center Arm Assembly (continued)

<i>Ref.</i>	<i>Part Number</i>	<i>Qty.</i>	<i>Description</i>	<i>Ref.</i>	<i>Part Number</i>	<i>Qty.</i>	<i>Description</i>
1	ZBH1F040U	1	Screw-HH	22	09480	1	Washer-Lock
2	74-07-028	2	Bushing	24	10-11-017	1	Fitting-Straight
3	ZBH1L045U	1	Screw-HH	25	10-11-100	2	Cap-Nut
4	876066	2	Bushing	26	ZNN1L000U	6	Nut-Nyloc
5	111-5158-03	1	Center Arm ASM	27	ZNN1X000U	2	Nut-Hex, Nyloc
6	111-5190-03	1	Center Arm Mount ASM	28	63-01-185W	1	Retainer-Pin
7	111-3099-01	1	Latch-Head, Center	29	74-11-003	2	Pin-Split
8	111-3248	1	Pin-Pivot, Front Arm	30	09415	6	Screw-HH
9	111-3122-01	1	Handle-Head, Center	31	09555	3	Washer
10	910109W	1	Cylinder-Lift	32	ZNN1J000U	3	Nut-Hex, NI
10:99	50-06-013	1	Seal Kit ●	33	09599	1	Washer-Lock
11	09650	1	Nut-Hex, Nyloc	34	09611	1	Bolt-HH
12	09544	1	Nut-Nyloc	35	74-05-108	1	Pin-Wing, Arm
13	09437	1	Nut	36	111-5212	1	Pin-Plain
14	111-3366	1	Plate-Retaining, Bush	37	63-07-027	2	Zerk-Grease, BSP (90 DEG)
15	09392	2	Screw-HH	38	25-07-007	2	Bushing-Tension
16	09395	1	Screw-HH	39	09263	2	Washer
17	ZDH1L035U	1	Screw-HH	40	ZBH1F040U	1	Screw-HH
18	111-3457	1	Spacer-Latch, Center Head	41	09438	1	Nut-Nyloc
19	111-3329	1	Spring-Latch, Center Head	42	61-07-003	1	Buffer-Rubber
20	ZWQ1J000U	7	Washer-Plain	43	767815	1	Washer-Belleville
21	HY09485	17	Washer-Plain				

● Not illustrated

# Roll-Over Protection System Assembly

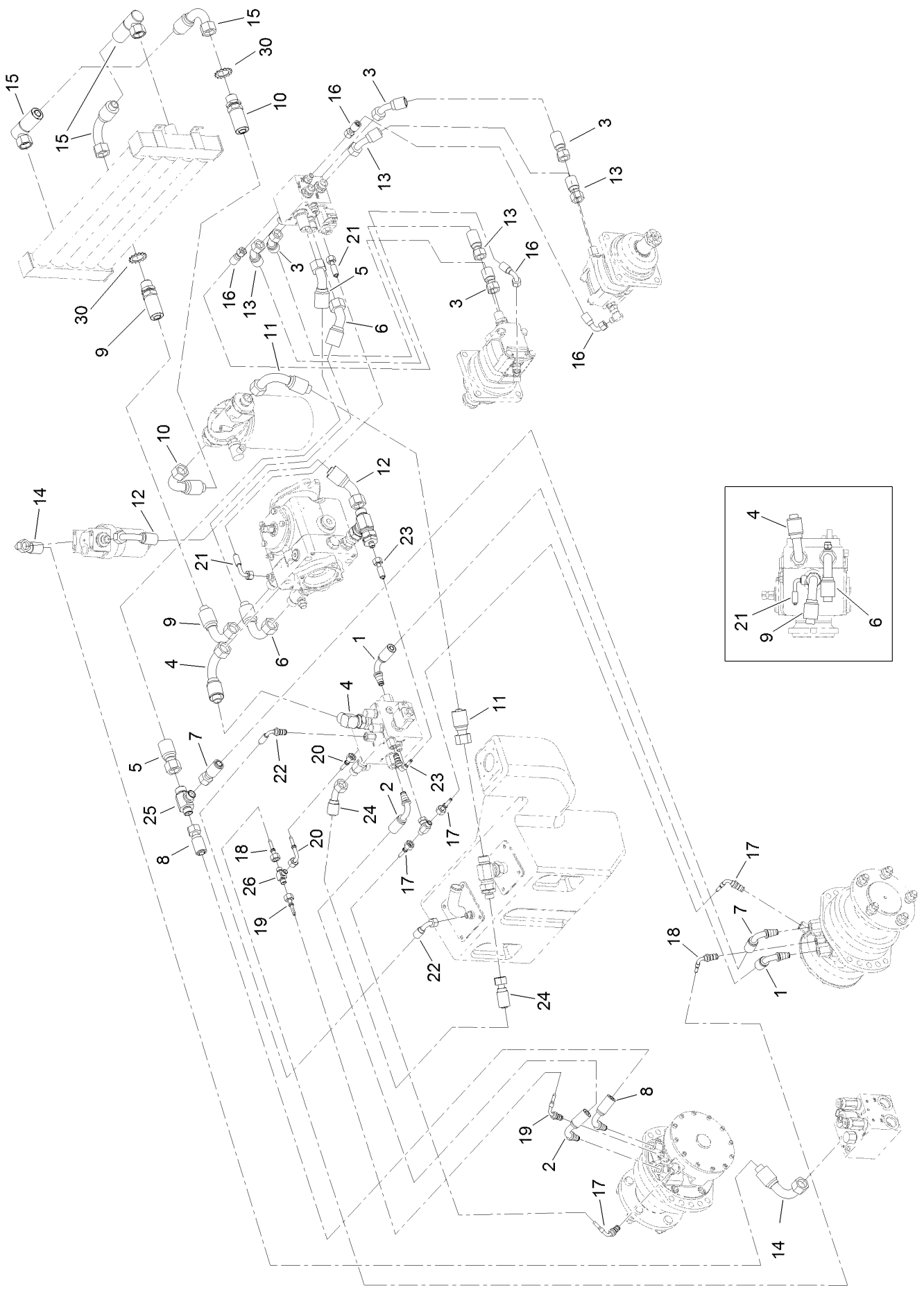


## Roll-Over Protection System Assembly (continued)

<i>Ref.</i>	<i>Part Number</i>	<i>Qty.</i>	<i>Description</i>	<i>Ref.</i>	<i>Part Number</i>	<i>Qty.</i>	<i>Description</i>
1		1	ROPS ASM ●	1:11	HY09485	24	Washer-Plain
1:1	111-9047-03	1	ROPS-Lower	1:12	09362	4	Screw-HH
1:2	111-8040-03	1	ROPS-Upper	1:13	09472	4	Washer-Plain
1:3	111-9280	2	Pin Assembly	1:14	09438	4	Nut-Nyloc
1:4	110-5696	2	Spring-Leaf	1:15	111-9065-03	2	Bracket-Chassis, ROPS
1:5	ZBH1P100U	2	Bolt	2	111-0773	2	Decal
1:6	ZDH1P050U	4	Screw-HH	4	134-2022-03	1	Handle-ROPS
1:7	63-11-010	12	Bolt-HH	5	09373	2	Bolt-Coach
1:8	111-9291	12	Nut-Hex, Nyloc	6	ZWP1H000U	2	Washer-Plain
1:9	09456	6	Nut	7	09441	2	Nut-Hex, NI
1:10	09491	10	Washer-Plain				

● Not serviced separately

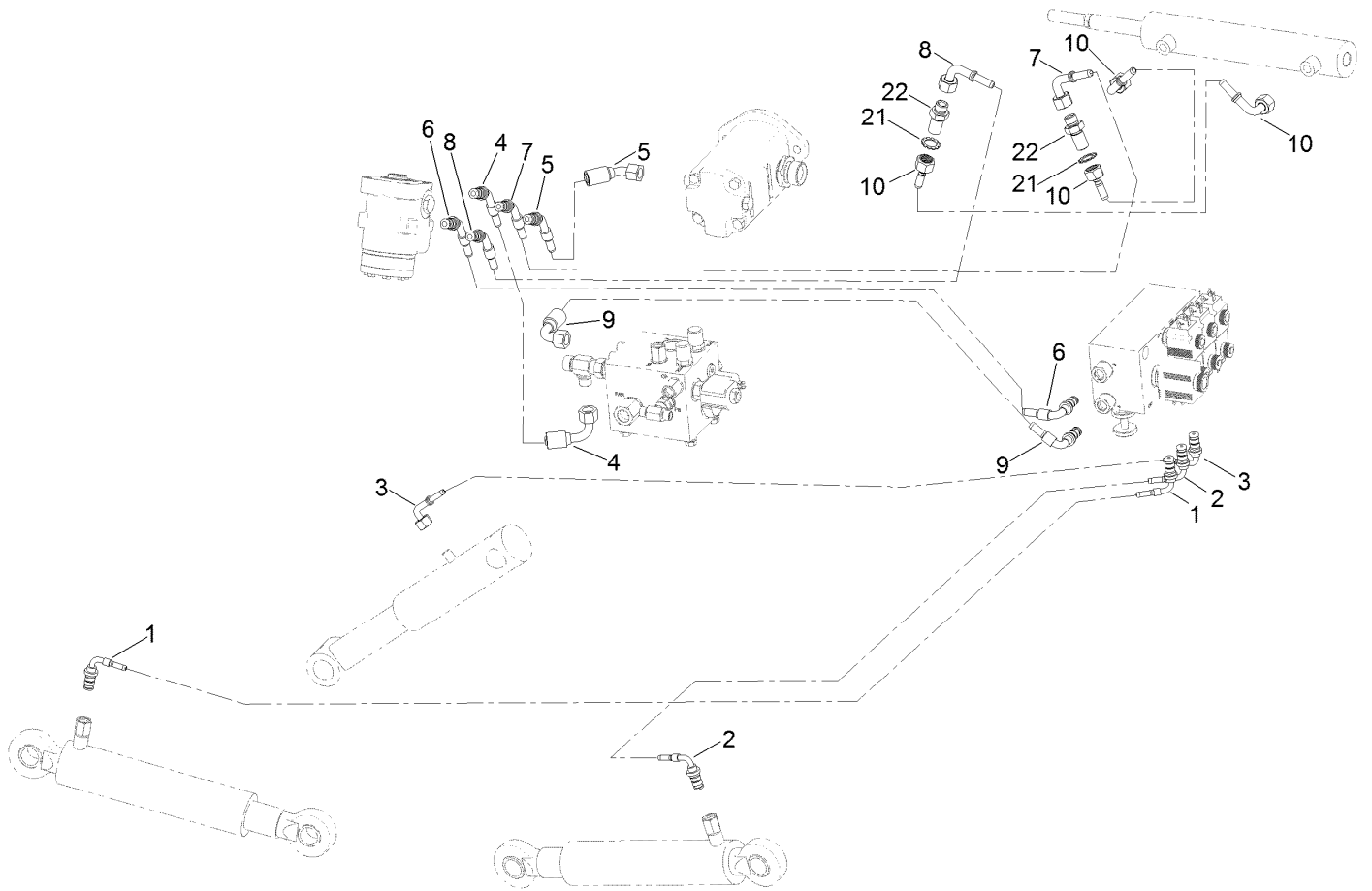
# Transmission Hydraulic Circuit Assembly



# Transmission Hydraulic Circuit Assembly (continued)

<i>Ref.</i>	<i>Part Number</i>	<i>Qty.</i>	<i>Description</i>	<i>Ref.</i>	<i>Part Number</i>	<i>Qty.</i>	<i>Description</i>
1	111-4473	1	Hose	15	111-3599	2	Hose
2	111-5521	1	Hose	16	111-3604	2	Hose
3	111-3576	2	Hose	17	111-5523	2	Hose
4	111-3577	1	Hose	18	111-3606	1	Hose
5	111-3578	1	Hose	19	111-3607	1	Hose
6	111-3579	1	Hose	20	111-3608	1	Hose
7	111-5524	1	Hose	21	111-3610	1	Hose
8	111-4477	1	Hose	22	111-3619	1	Hose
9	111-3586	1	Hose	23	111-3621	1	Hose
10	111-3587	1	Hose	24	111-3622	1	Hose
11	111-3588	1	Hose	25	111-3642	1	Tee-BSP
12	111-3593	1	Hose	26	30-06-201	1	Tee
13	111-3595	2	Hose	30	111-9293	1	Washer-Tooth
14	111-6950	1	Hose				

# Lift / Steer Hydraulic Circuit Assembly

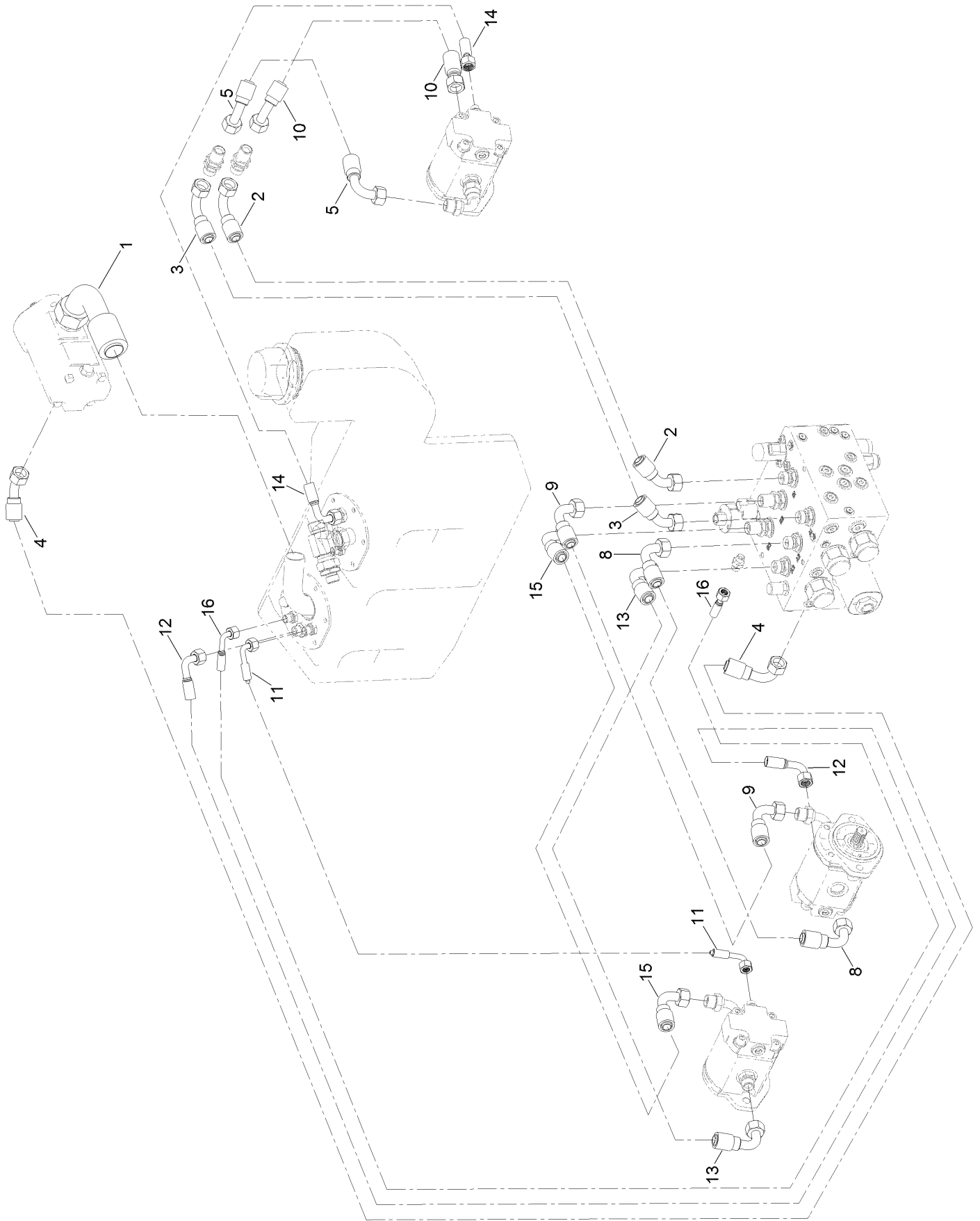


## Lift / Steer Hydraulic Circuit Assembly (continued)

<i>Ref.</i>	<i>Part Number</i>	<i>Qty.</i>	<i>Description</i>	<i>Ref.</i>	<i>Part Number</i>	<i>Qty.</i>	<i>Description</i>
1	111-3602	1	Hose	7	111-7538	1	Hose
2	111-3603	1	Hose	8	111-7539	1	Hose
3	111-3611	1	Hose	9	111-3618	1	Hose
4	111-3613	1	Hose	10	111-7537	2	Hose
5	111-3614	1	Hose	21	111-5622	2	Washer-Lock, Serrated
6	111-3615	1	Hose	22	30-06-208	2	Adaptor
6:5	111-3509	2	Adaptor ●				

● Not illustrated

# Cutter Hydraulic Circuit Assembly



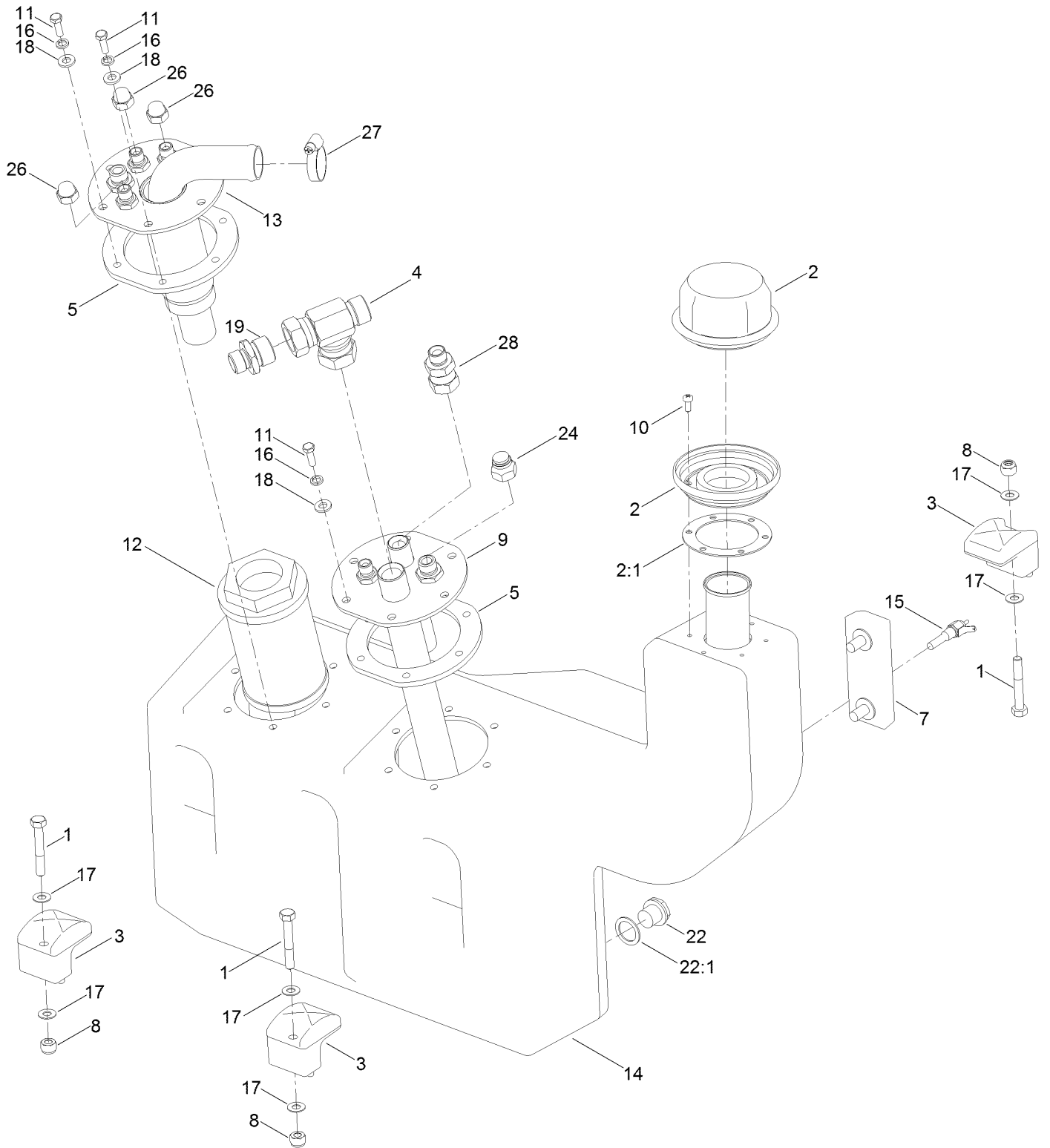


## Cutter Hydraulic Circuit Assembly (continued)

<i>Ref.</i>	<i>Part Number</i>	<i>Qty.</i>	<i>Description</i>	<i>Ref.</i>	<i>Part Number</i>	<i>Qty.</i>	<i>Description</i>
1	134-0116	1	Hose	10	111-6772	1	Hose
2	111-6766	1	Hose	11	111-9324	1	Hose
3	111-6767	1	Hose	12	111-9830	1	Hose
4	111-7407	1	Hose	13	111-8070	1	Hose
5	111-6769	1	Hose	13:3	07809	1	Sock-Hose ●
8	111-8072	1	Hose	14	134-0079	1	Hose
8:3	07809	1	Sock-Hose ●	15	111-8071	1	Hose
9	111-8073	1	Hose	15:3	07809	2	Sock-Hose ●
9:3	07809	2	Sock-Hose ●	16	111-9325	1	Hose

● Not illustrated

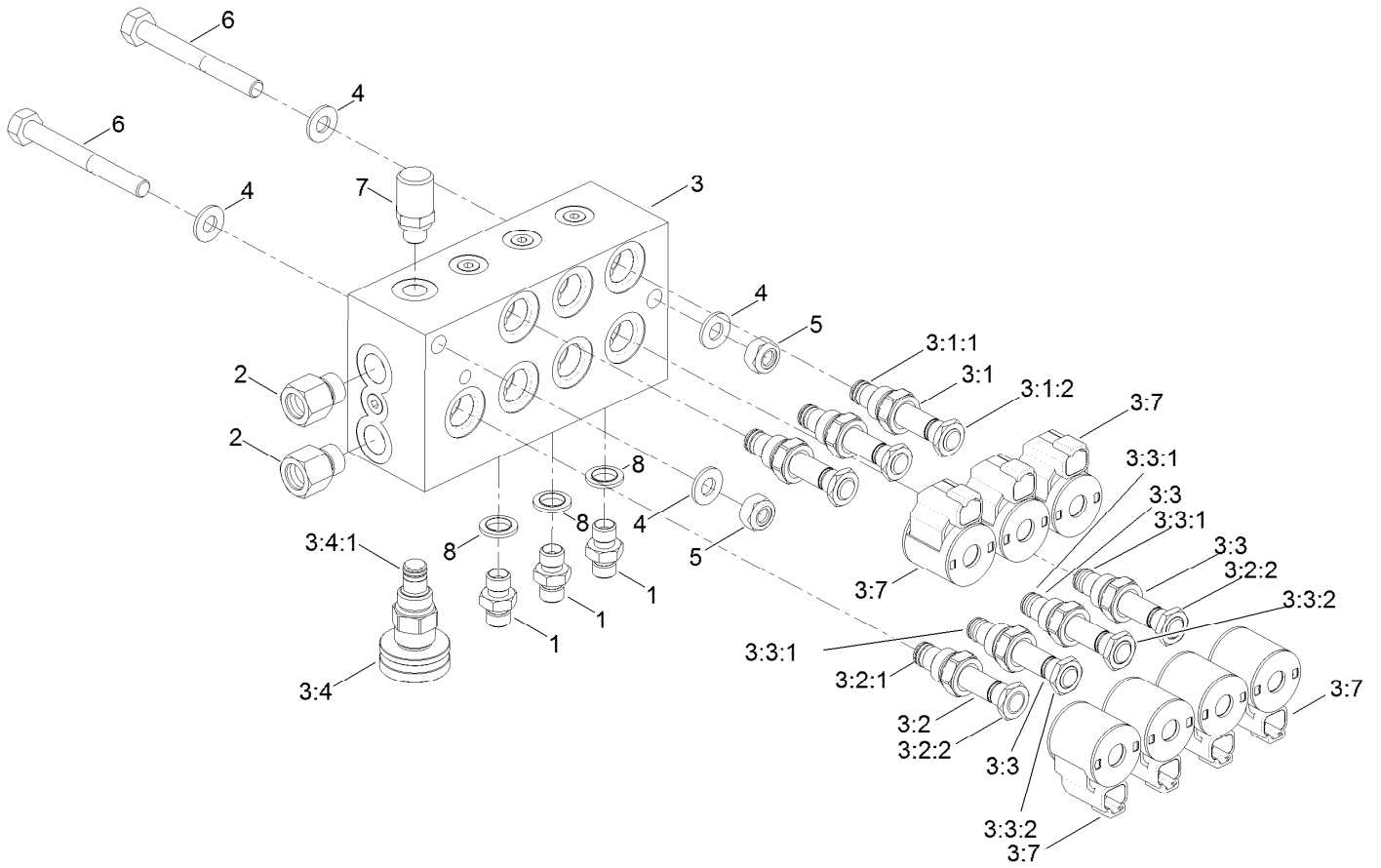
# Hydraulic Oil Tank Assembly



## Hydraulic Oil Tank Assembly (continued)

<i>Ref.</i>	<i>Part Number</i>	<i>Qty.</i>	<i>Description</i>	<i>Ref.</i>	<i>Part Number</i>	<i>Qty.</i>	<i>Description</i>
1	09565	3	Screw-HH	14	111-9528	1	Tank-Oil, Hydraulic
2	HY910601	1	Cap-Breather, Filler	15	940852	1	Switch-Temperature
2:1	910648	1	Cap-Gasket, Filler	16	09474	12	Washer-Spring
3	107-4543	3	Clamp	17	09475	6	Washer
4	60-06-009	1	Adaptor-Tee	18	09472	12	Washer-Plain
5	111-9531	2	Gasket-Flange	19	09-06-201	1	Adaptor
7	65-06-018	1	Gauge-Level, Oil	22	20-06-207	1	Plug-Magnetic
8	09442	3	Nut	22:1	111-7925	1	Washer-Fiber
9	111-9533-03	1	Flange-Return	24	111-4972	1	Cap-BSP
10	09634	6	Screw-PPH, HD	26	66-06-003	1	Cap-BSP
11	09363	12	Screw-HH	27	10-11-034	1	Clamp-Hose, Hi-Torque
12	10-06-025	1	Filter-Suction	28	09-06-217	1	Adaptor
13	111-9532	1	Flange-Suction				

# Lift Manifold Assembly

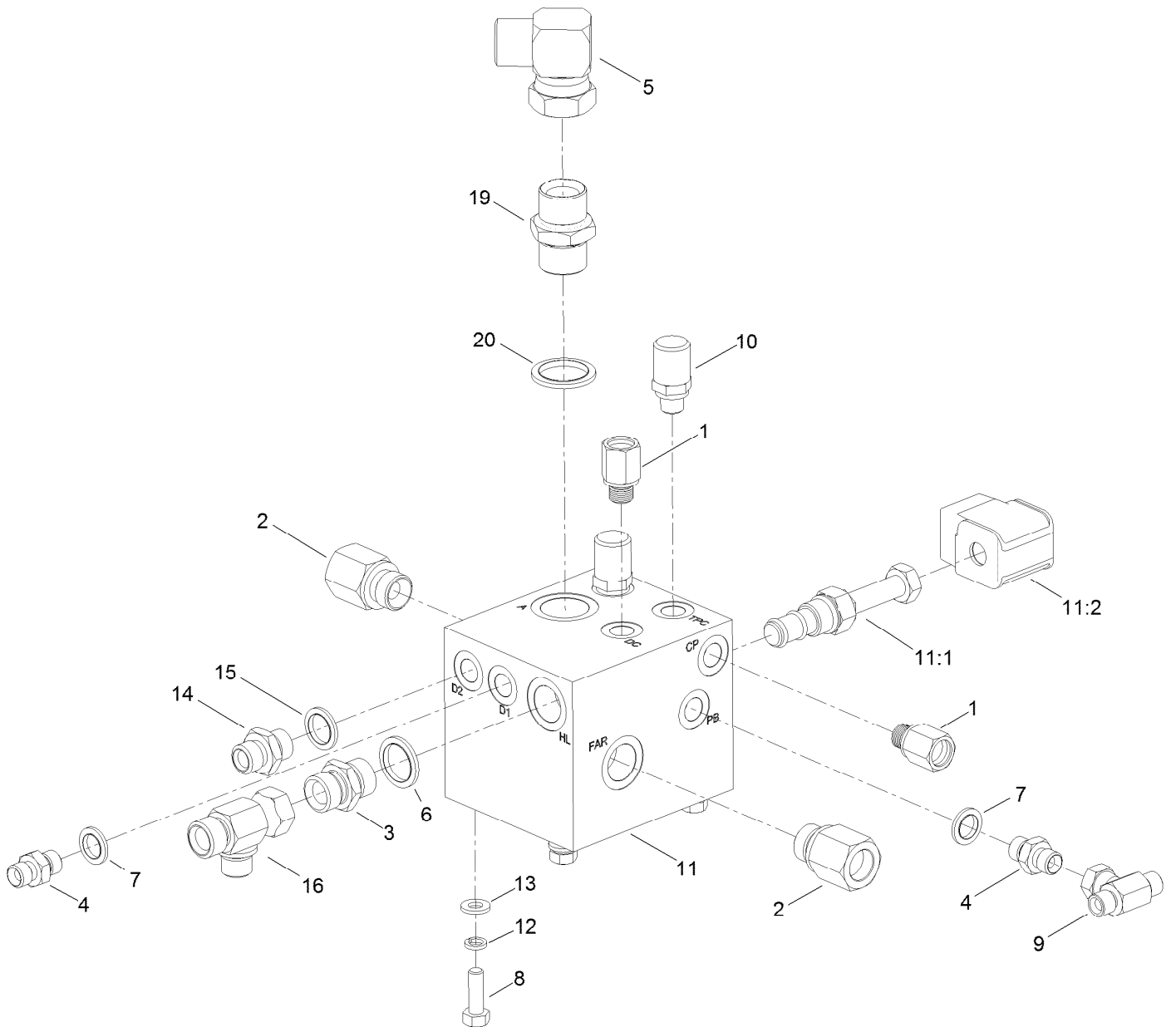


## Lift Manifold Assembly (continued)

<i>Ref.</i>	<i>Part Number</i>	<i>Qty.</i>	<i>Description</i>	<i>Ref.</i>	<i>Part Number</i>	<i>Qty.</i>	<i>Description</i>
1	10-06-085	3	Adaptor	3:3:2	110-2634	1	Nut-Coil
2	111-3509	2	Adaptor	3:4	111-5513	1	Valve-Needle, Weight
3	111-8419	1	Manifold-Control, Lift	3:4:1	107-7527	1	Seal Kit
3:1	111-9623	3	Valve-Solenoid	3:5	111-9625	3	Orifice-Flow, Control ●
3:1:1	107-7527	1	Seal Kit	3:6	106-1025	4	Plug-HYD ●
3:1:2	110-2634	1	Nut-Coil	3:7	112-0197	7	E Coil-12V Dc
3:2	111-9624	1	Valve-Solenoid	4	ZWQ1J000U	4	Washer-Plain
3:2:1	105-9156	1	Seal Kit	5	ZNN1J000U	2	Nut-Hex, NI
3:2:2	107-7812	1	Nut-Solenoid	6	ZBH1J090U	2	Screw-HH
3:3	112-9206	3	Solenoid Valve ASM	7	910615	1	Point-BSPP
3:3:1	105-9156	1	Seal Kit	8	10-06-030	3	Seal-Dowty

● Not illustrated

# Hydraulic Transmission Manifold Assembly

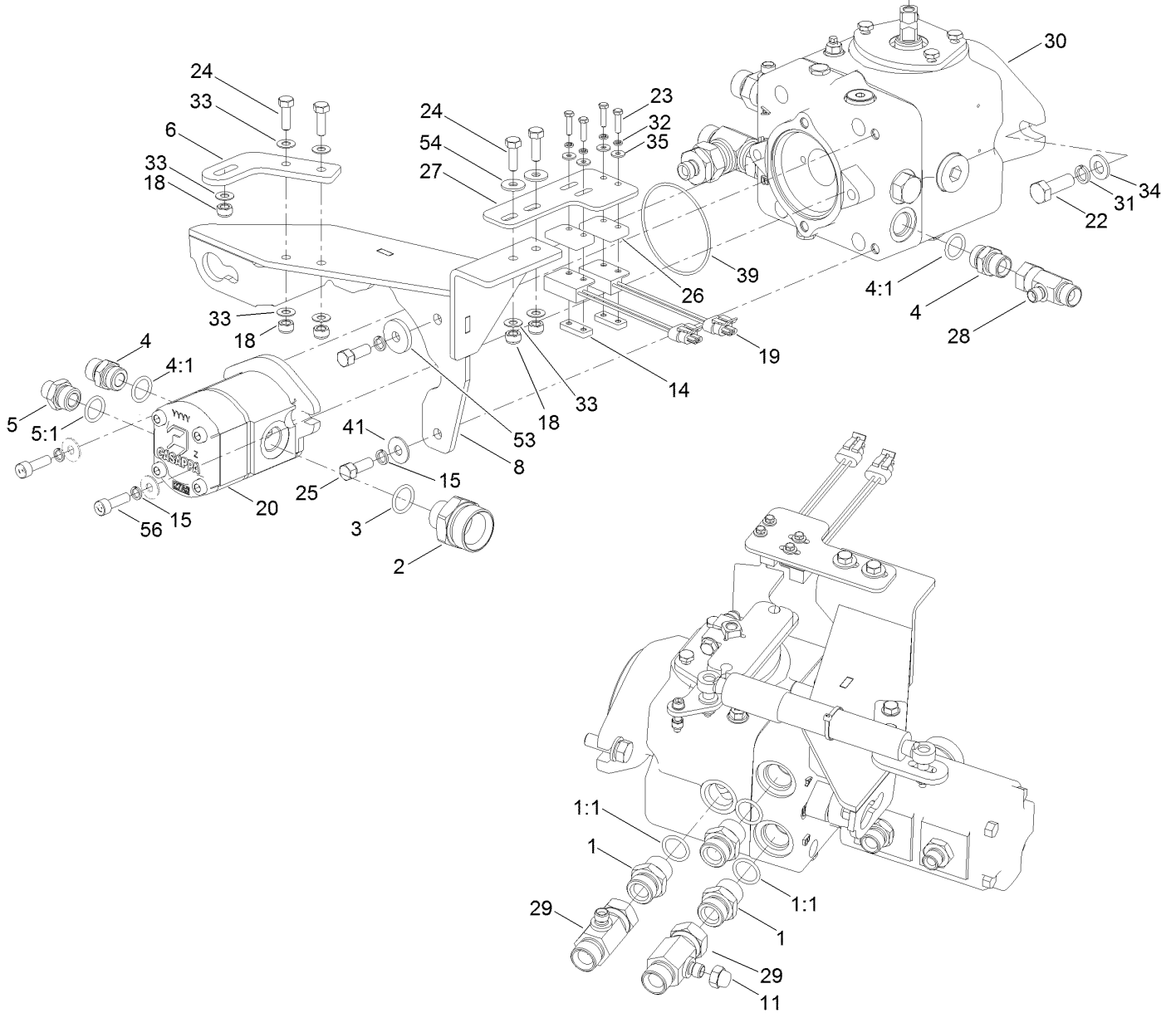
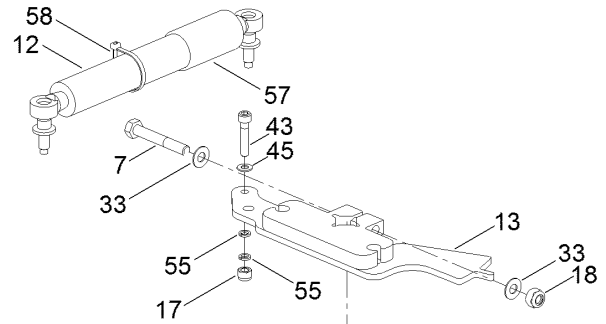
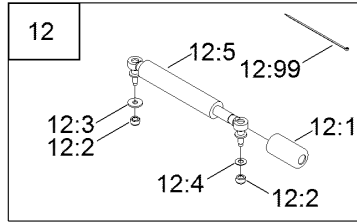


# Hydraulic Transimission Manifold Assembly (continued)

<i>Ref.</i>	<i>Part Number</i>	<i>Qty.</i>	<i>Description</i>	<i>Ref.</i>	<i>Part Number</i>	<i>Qty.</i>	<i>Description</i>
1	111-3538	2	Adaptor	11:1	111-3533	1	Valve-Solenoid
2	111-3529	2	Adaptor	11:1:1	134-0258	1	Seal Kit ●
3	10-06-078	1	Adaptor-BSPP	11:2	910627	1	Coil-Solenoid
4	10-06-085	2	Adaptor	12	03469	4	Washer-Spring
5	111-4443	1	Elbow-BSP	13	ZWP1H000U	4	Washer-Plain
6	10-06-032	1	Seal-Dowty	14	10-06-042	1	Adaptor-BSPP
7	10-06-030	2	Seal-Dowty	15	10-06-031	1	Seal-Dowty
8	03162	4	Screw-HH	16	953732	1	Tee-BSP
9	60-06-011	1	Tee-BSP	19	10-06-044	1	Adaptor-BSP
10	910615	2	Point-BSPP	20	10-06-033	1	Seal-Dowty
11	111-2555	1	Manifold-Transmission				

● Not illustrated

# Transmission and Tandem Pump Assembly



HYD FITTINGS VARIATION - 30654

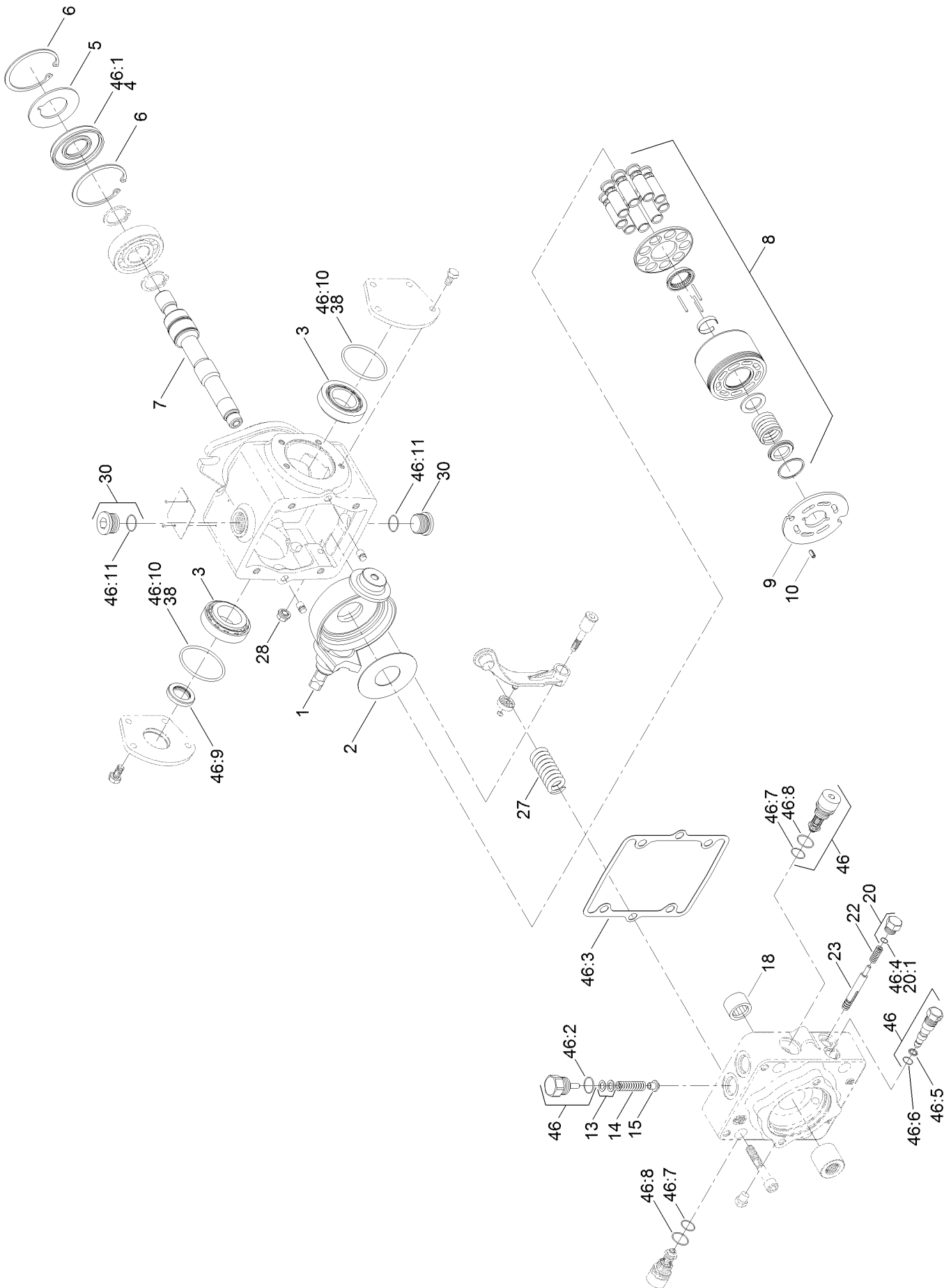


## Transmission and Tandem Pump Assembly (continued)

<i>Ref.</i>	<i>Part Number</i>	<i>Qty.</i>	<i>Description</i>	<i>Ref.</i>	<i>Part Number</i>	<i>Qty.</i>	<i>Description</i>
1	70-06-050	3	Adaptor-Boss	20:1	134-2157	1	Seal Kit ●
1:1	70-06-168	1	Seal-O Ring	22	ZDH1L035U	2	Screw-HH
2	134-0023	1	Adaptor M/M	23	ZDH1E020U	4	Screw-HH
3	70-06-168	1	Seal-O Ring	24	03162	4	Screw-HH
4	63-06-104	2	Adaptor-BSP	25	HY103653	2	Screw-HH
4:1	63-06-111	1	Seal-O Ring	26	111-3676	2	Spacer-Switch, Proximity
5	70-06-053	1	Adaptor-Boss	27	111-3260-03	1	Adjuster-Switches
5:1	63-06-111	1	Seal-O Ring	28	74-06-019	1	Adaptor-Tee
6	111-6853-03	1	Adjuster-Damper	29	111-3639	2	Tee-BSP
7	09565	1	Screw-HH	30	111-6774	1	Pump-Transmission
8	111-6456-03	1	Bracket-Control, Pump	31	09599	2	Washer-Lock
11	66-06-003	1	Cap-BSP	32	09644	4	Washer-Spring
12	111-9548	1	Damper Kit	33	09475	10	Washer
12:1	111-9774	1	Sleeve-Rubber	34	HY09485	2	Washer-Plain
12:2	09441	2	Nut-Hex, NI	35	09257	4	Washer
12:3	09267	1	Washer	39	70-06-028	1	O-Ring
12:4	09475	1	Washer	41	HY03355	3	Washer-Plated
12:5	111-8425	1	Damper	43	111-4586	1	Screw-HSH
12:99	74-07-020	1	Tie-Cable ●	45	ZWP1F000U	1	Washer-Plain
13	111-6814	1	Lever-Control, Pump	53	65-01-559	1	Washer-Space
14	111-3336	2	Bar-Switch, Proximity	54	09267	2	Washer
15	09273	4	Washer-Spring	55	09474	2	Washer-Spring
17	09544	1	Nut-Nyloc	56	111-9168	2	Screw-Sh
18	09441	7	Nut-Hex, NI	57	111-9774	1	Sleeve-Rubber
19	105-0023	2	Switch-Proximity	58	HY3966	1	Tie-Cable
20	111-7444	1	Gear Pump ASM				

● Not illustrated

# Hydraulic Pump Assembly No. 111-6774

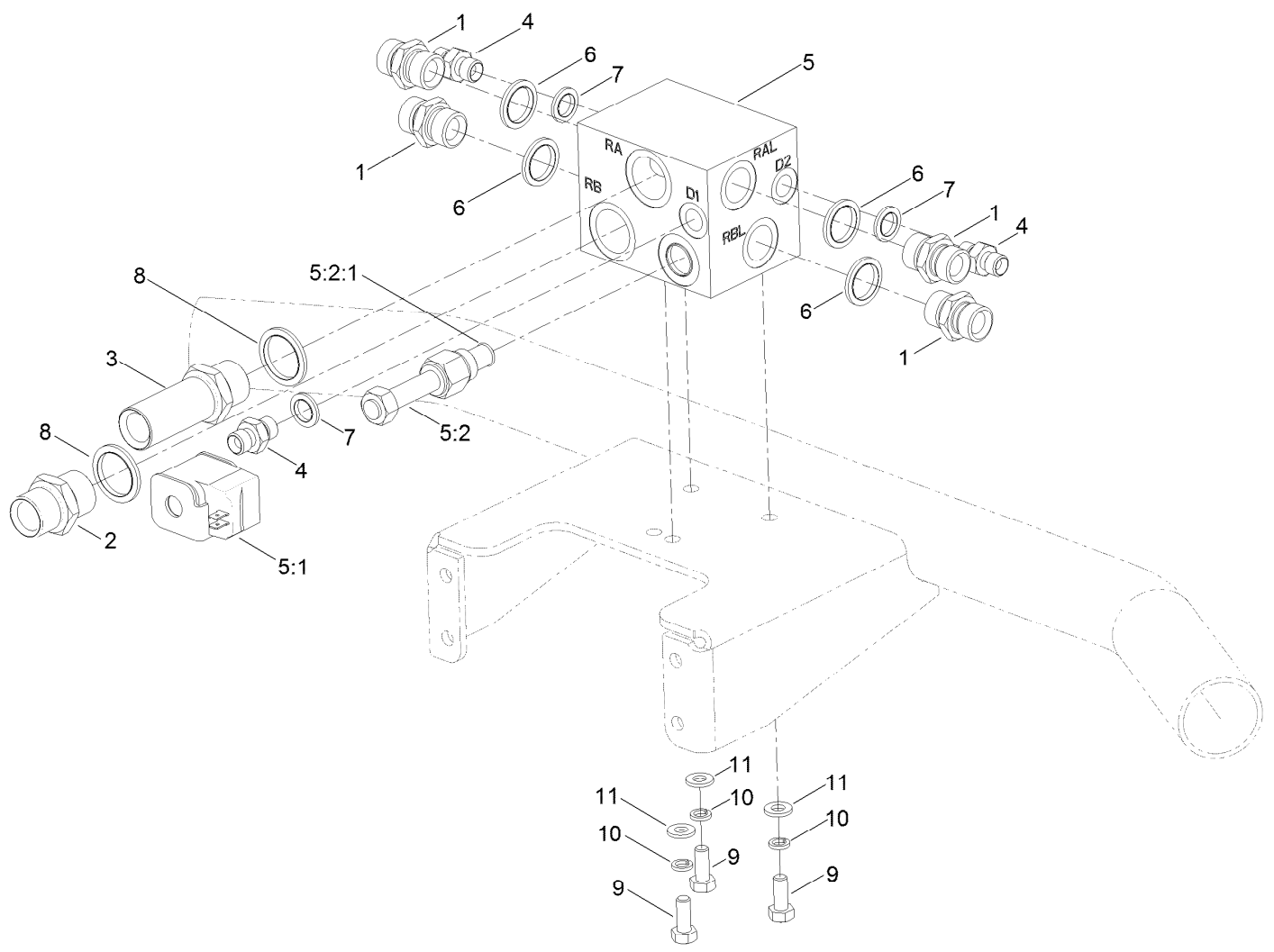


## Hydraulic Pump Assembly No. 111-6774 (continued)

<i>Ref.</i>	<i>Part Number</i>	<i>Qty.</i>	<i>Description</i>	<i>Ref.</i>	<i>Part Number</i>	<i>Qty.</i>	<i>Description</i>
1	115-8092	1	Swashplate	23	110-6492	1	Spool-Loop, Flush
2	75-0400	1	Plate-Thrust	27	110-6495	1	Spring-Return, Neutral
3	110-6483	2	Bearing Kit	28	110-6496	1	Nut-Seal
4	110-6471	1	Seal-Lip	30	69-3130	2	Plug
5	95-4400	1	Washer-Backup	38	84-0430	2	O-Ring
6	69-3200	2	Ring-Retaining	46	110-6481	1	Seal Kit
7	111-9640	1	Shaft-Auxiliary	46:1	110-6471	1	Seal-Lip
8	110-6472	1	Cylinder Block Kit ASM	46:2	28-3570	1	O-Ring
9	110-6473	1	Plate-Valve (Clockwise)	46:3	110-6476	1	Gasket-Cap, End
10	131-3800	1	Pin-Slotted	46:4	131-8631	2	O-Ring
13	111-4908	1	Shim Kit ASM	46:5	25-2630	1	Ring-Back Up
14	111-4918	1	Spring-Charge, Prv	46:6	110-6498	1	O-Ring
15	110-6475	1	Poppet	46:7	75-0240	2	O-Ring
18	110-6489	4	Screw	46:8	84-0560	2	O-Ring
20	94-9415	1	Plug ASM	46:9	110-6478	1	Seal-Lip
20:1		1	O-Ring ●	46:10	84-0430	2	O-Ring
22	111-4917	1	Spring-Valve, Loop (Flushing)	46:11	131-8614	2	O-Ring

● Not serviced separately

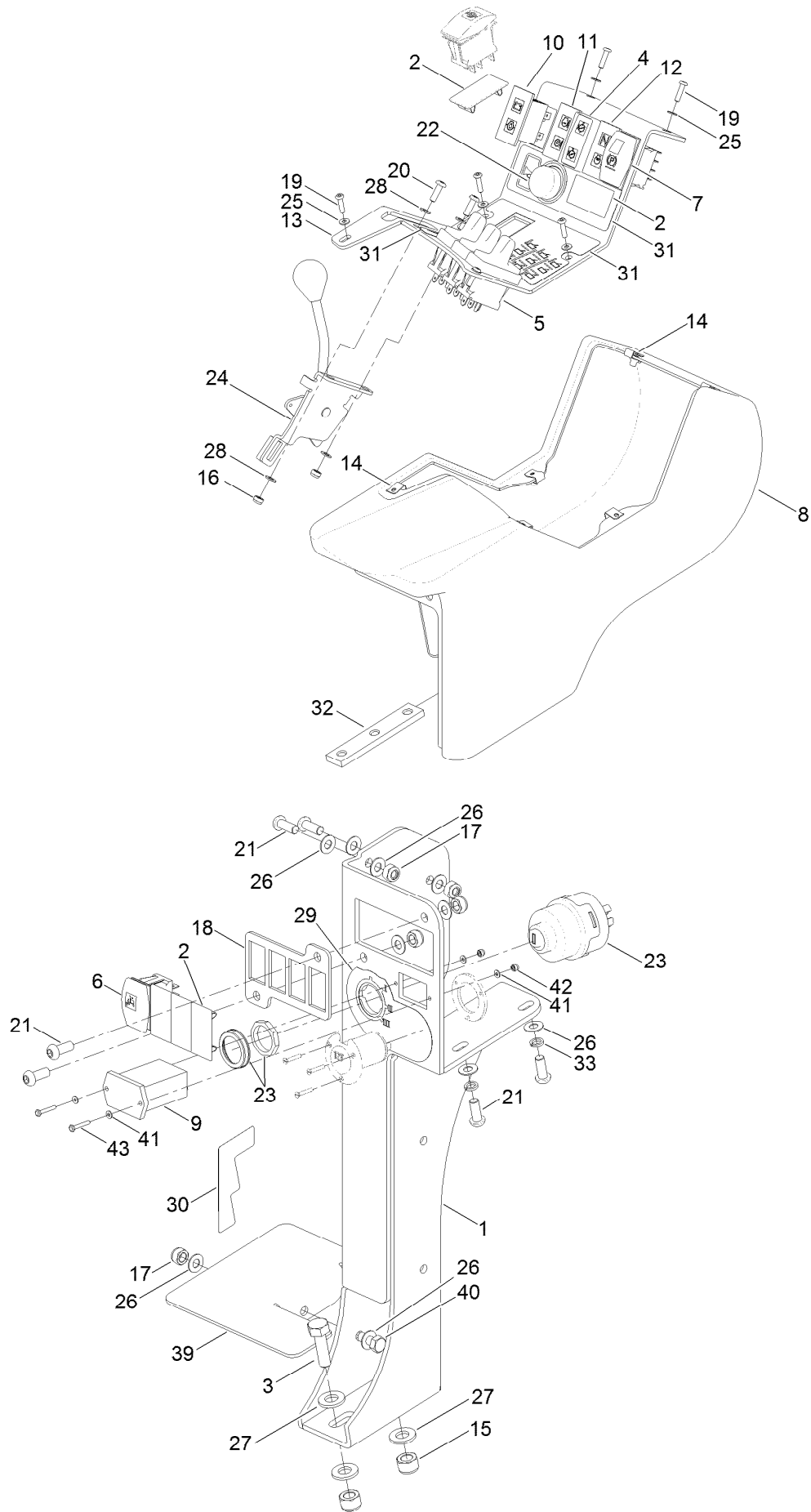
# Rear Transmission Block Assembly



## Rear Transmission Block Assembly (continued)

<i>Ref.</i>	<i>Part Number</i>	<i>Qty.</i>	<i>Description</i>	<i>Ref.</i>	<i>Part Number</i>	<i>Qty.</i>	<i>Description</i>
1	10-06-078	4	Adaptor-BSPP	5:2:1	910642	1	Seal Kit
2	10-06-044	1	Adaptor-BSP	6	10-06-032	4	Seal-Dowty
3	111-7494	1	Adaptor-BSP	7	10-06-030	3	Seal-Dowty
4	10-06-085	3	Adaptor	8	10-06-033	2	Seal-Dowty
5	924687	1	Manifold-Transmission, Rear	9	09368	3	Screw-HH
5:1	910627	1	Coil-Solenoid	10	03469	3	Washer-Spring
5:2	924688	1	Valve-Solenoid	11	ZWP1H000U	3	Washer-Plain

# Control Panel Assembly

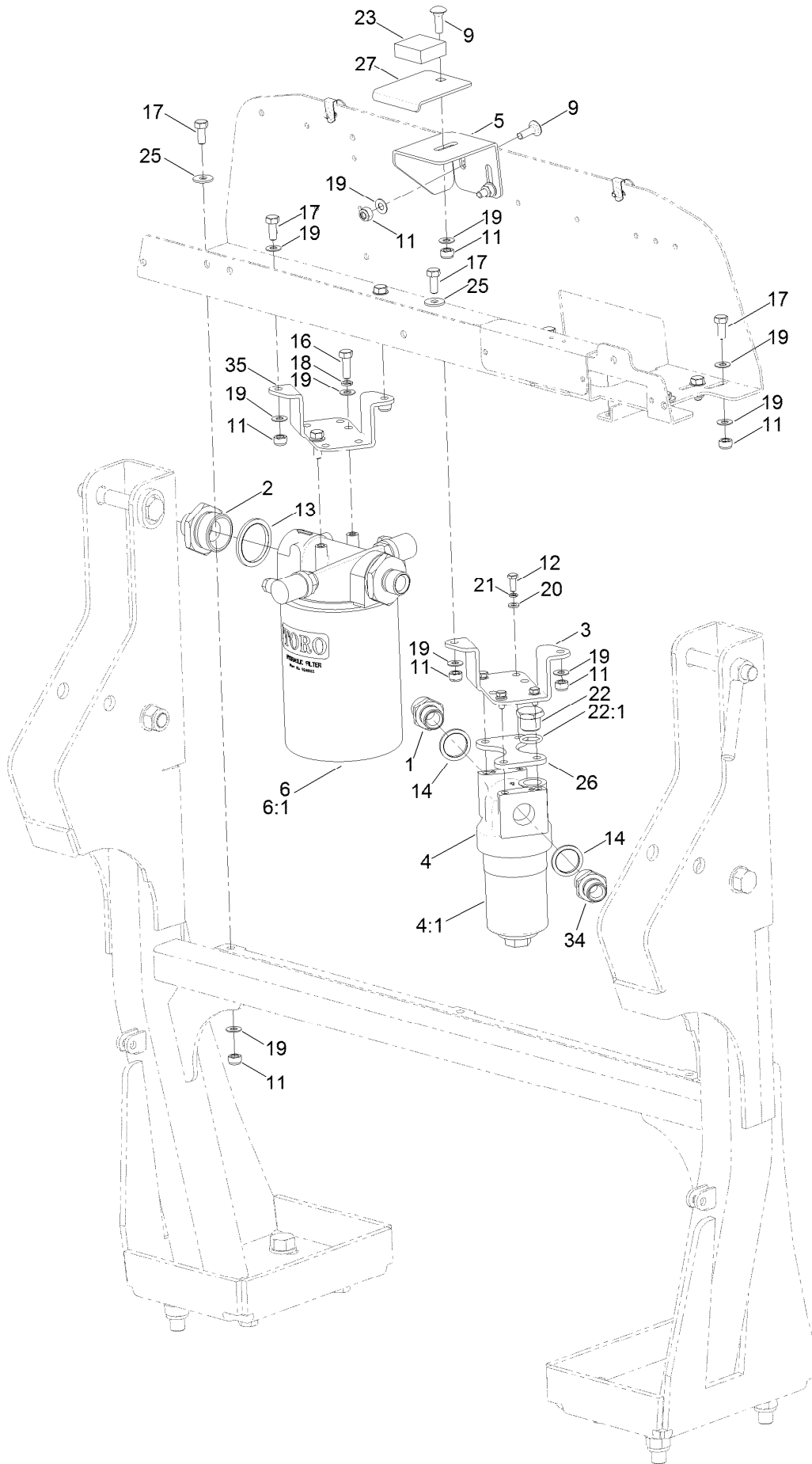


## Control Panel Assembly (continued)

<i>Ref.</i>	<i>Part Number</i>	<i>Qty.</i>	<i>Description</i>	<i>Ref.</i>	<i>Part Number</i>	<i>Qty.</i>	<i>Description</i>
1	111-8496-03	1	Control Arm ASM	21	ZHS1H020U	6	Screw-HSBH
2	111-2337	5	Blank-Switch	22	924618	1	Switch-Horn, Push
3	09394	2	Bolt	23	74-09-009	1	Switch-Ignition
4	111-2253	1	Switch-Cutters	23:1	74-09-017	1	Key-Ignition ●
5	111-2956	3	Switch-Lift	23:2	74-09-010	1	Switch-Cover ●
6	111-2451	1	Switch-Limited	24	111-7090	1	Cable-Throttle
7	111-2254	1	Switch-Parking Brake, On-None-On	25	09658	6	Washer
8	111-3004	1	Pod-Control	26	09475	10	Washer
9	75-6820	1	Hourmeter	27	HY09485	4	Washer-Plain
10	111-2333	1	Indicator-Illuminated	28	09470	4	Washer
11	111-2334	1	Indicator-Illuminated	29	111-3344	1	Decal-Switch, Ignition
12	111-3026	1	Indicator-Illuminated	30	111-3658	1	Decal-Latch, Cutterhead
13	111-2963-03	1	Instrument-Panel	31	111-3277	1	Decal
14	111-3079	6	U-Nut	32	111-3281	1	Bar-Nut
15	09447	2	Nut	33	03469	2	Washer-Spring
16	09430	2	Nut-Nyloc	39	111-5239-03	1	Plate-Filler
17	09441	5	Nut-Hex, NI	40	09368	1	Screw-HH
18	111-8494-03	1	Plate-Switch	41	HY09697	4	Washer-Plain
19	111-3473	6	Screw-Button	42	HY09698	2	Nut-Nyloc
20	111-3381	2	Screw-HSBH	43	09696	2	Setscrew
				99	98-9321	1	Ring-Key ●

● Not illustrated

# Filter Assembly



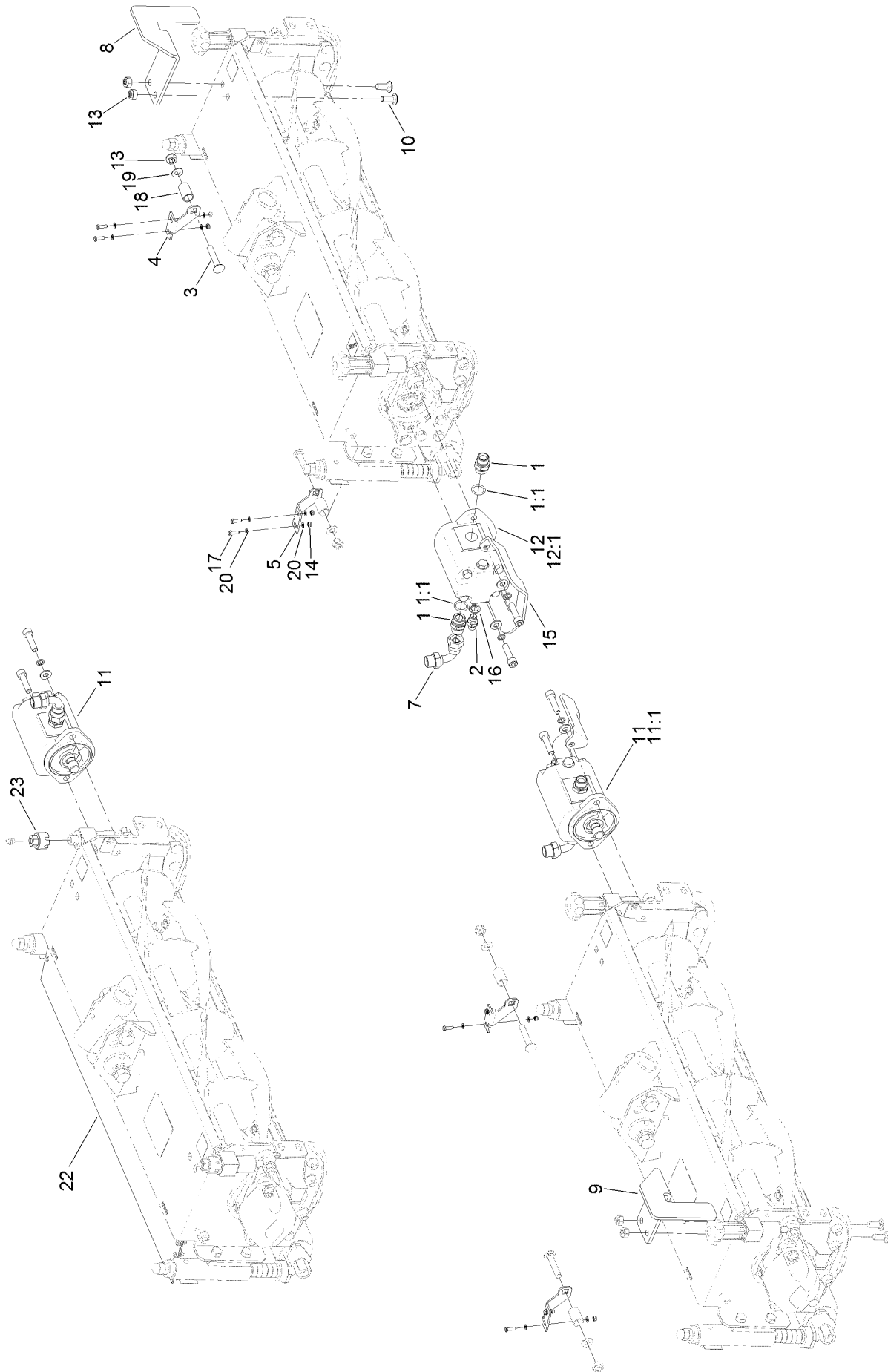


## Filter Assembly (continued)

<i>Ref.</i>	<i>Part Number</i>	<i>Qty.</i>	<i>Description</i>	<i>Ref.</i>	<i>Part Number</i>	<i>Qty.</i>	<i>Description</i>
1	09-06-201	1	Adaptor	16	03162	2	Screw-HH
2	25-06-050	2	Adaptor	17	09368	7	Screw-HH
3	111-3485-03	1	Bracket-Filter, Oil	18	03469	2	Washer-Spring
4	924708	1	Pressure Filter ASM	19	09475	18	Washer
4:1	924709	1	Element-Filter, Pressure	20	09472	4	Washer-Plain
4:2	924710	1	Indicator-Filter, Pressure ●	21	09474	4	Washer-Spring
5	111-6095-03	1	Plate-Latch, Bulkhead	22	111-3926	1	Plug
6	111-7508	1	Return Filter ASM	22:1	63-06-111	1	Seal-O Ring
6:1	924692	1	Element-Filter	23	488023	1	Pad-Foam, Short
9	09373	3	Bolt-Coach	25	09267	3	Washer
11	09441	12	Nut-Hex, NI	26	111-4843-03	1	Spacer-Oil Filter
12	09362	4	Screw-HH	27	111-6096-03	1	Plate-Latch, Bonnet
13	10-06-035	2	Seal-Dowty	34	994626	1	Adaptor-BSPP
14	10-06-033	2	Seal-Dowty	35	134-0449-03	1	Bracket-Filter

● Not illustrated

# Cutter Component Assembly

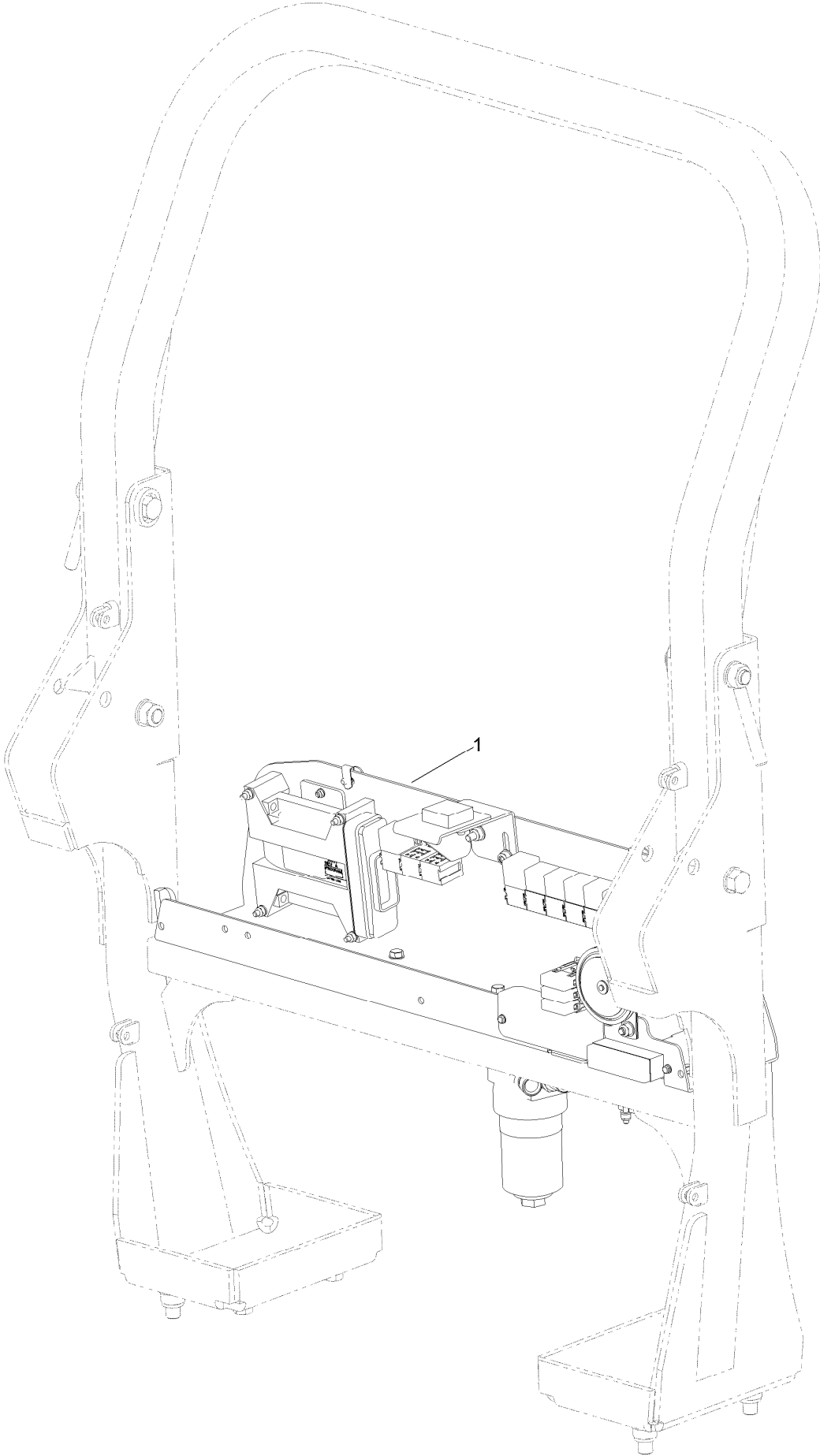


## Cutter Component Assembly (continued)

<i>Ref.</i>	<i>Part Number</i>	<i>Qty.</i>	<i>Description</i>	<i>Ref.</i>	<i>Part Number</i>	<i>Qty.</i>	<i>Description</i>
1	63-06-104	6	Adaptor-BSP	13	ZNN1J000U	10	Nut-Hex, NI
1:1	63-06-111	1	Seal-O Ring	14	09430	12	Nut-Nyloc
2	10-06-085	3	Adaptor	15	111-7462-03	2	Guard-Motor
3	ZBK1J055U	6	Bolt-CARR	16	10-06-030	3	Seal-Dowty
4	876041	3	Bracket-Deflector, LH	17	ZDH1E016U	12	Screw-HH
5	876042	3	Bracket-Deflector, RH	18	876049	6	Spacer-Deflector
7	25-06-066	3	Elbow-BSP	19	09479	30	Washer-Plain
8	876086W	1	Guard-HOC, LH	20	09470	24	Washer
9	876087W	1	Guard-HOC, RH	21	HY922101	1	Spanner-Adjuster, Cutterhead ●
10	15-11-003	4	Bolt-CARR	22	111-0177	3	Deflector Cab ASM Kit
11	111-7445	2	HYD CW Motor ASM	22:10	09320	5	Rivet ●
11:1	111-8146	1	Seal Kit	22:20	111-0174-03	1	Deflector Cab ●
11:2	107-7821	1	Valve-Anticavitation ●	22:30	111-0175-03	1	Deflector Steel Strip ●
12	111-7446	1	HYD CCW Motor ASM	22:40	111-0176	1	Deflector Rubber ●
12:1	111-8146	1	Seal Kit	23	111-3927	2	Boss-Adjuster
12:2	107-7821	1	Valve-Anticavitation ●				

● Not illustrated

# Loom Kit

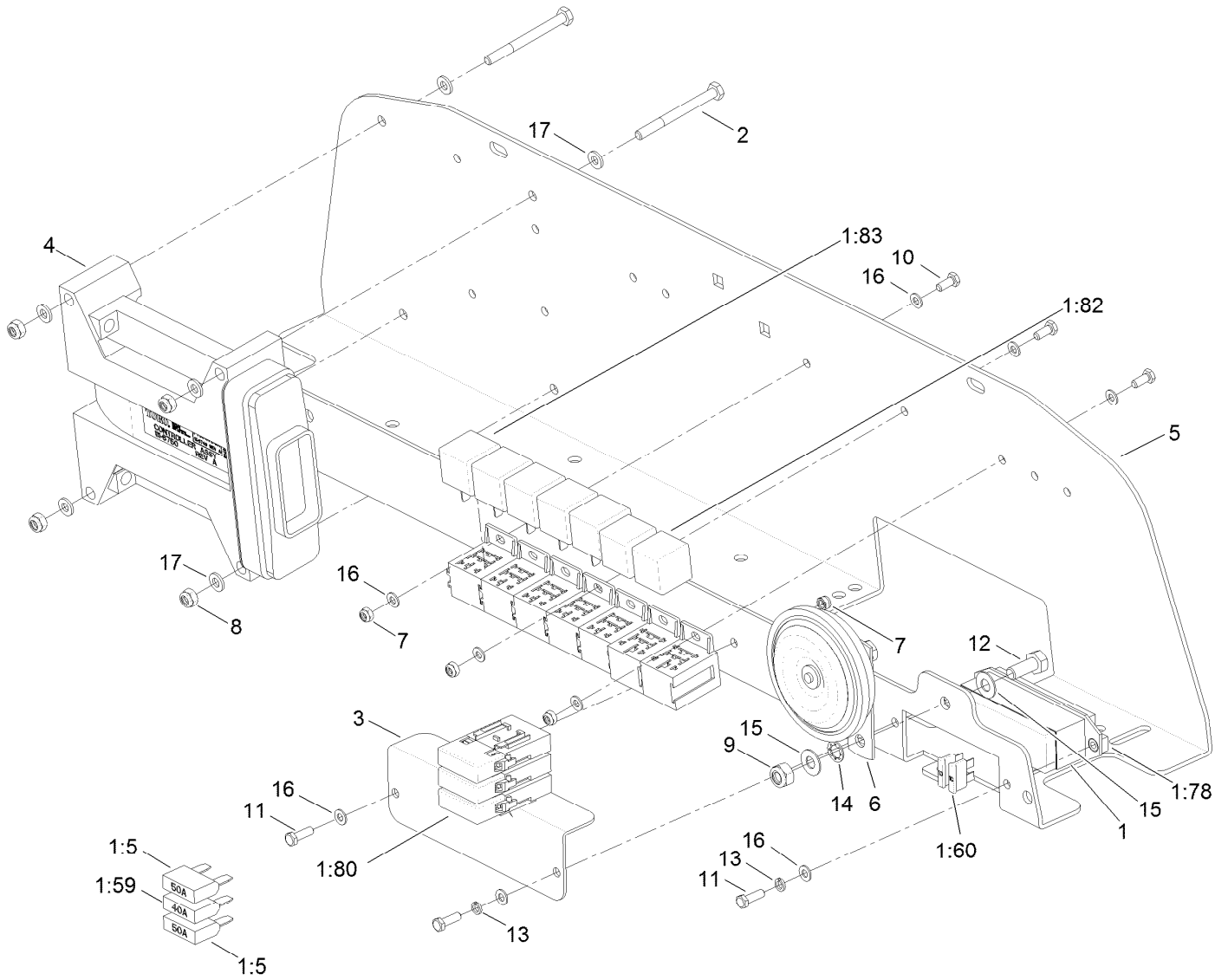


## Loom Kit (continued)

<i>Ref.</i>	<i>Part Number</i>	<i>Qty.</i>	<i>Description</i>
1	111-7282	1	Kit-Loom
99	HY3966	30	Tie-Cable ●

● Not illustrated

# Electrical Assembly

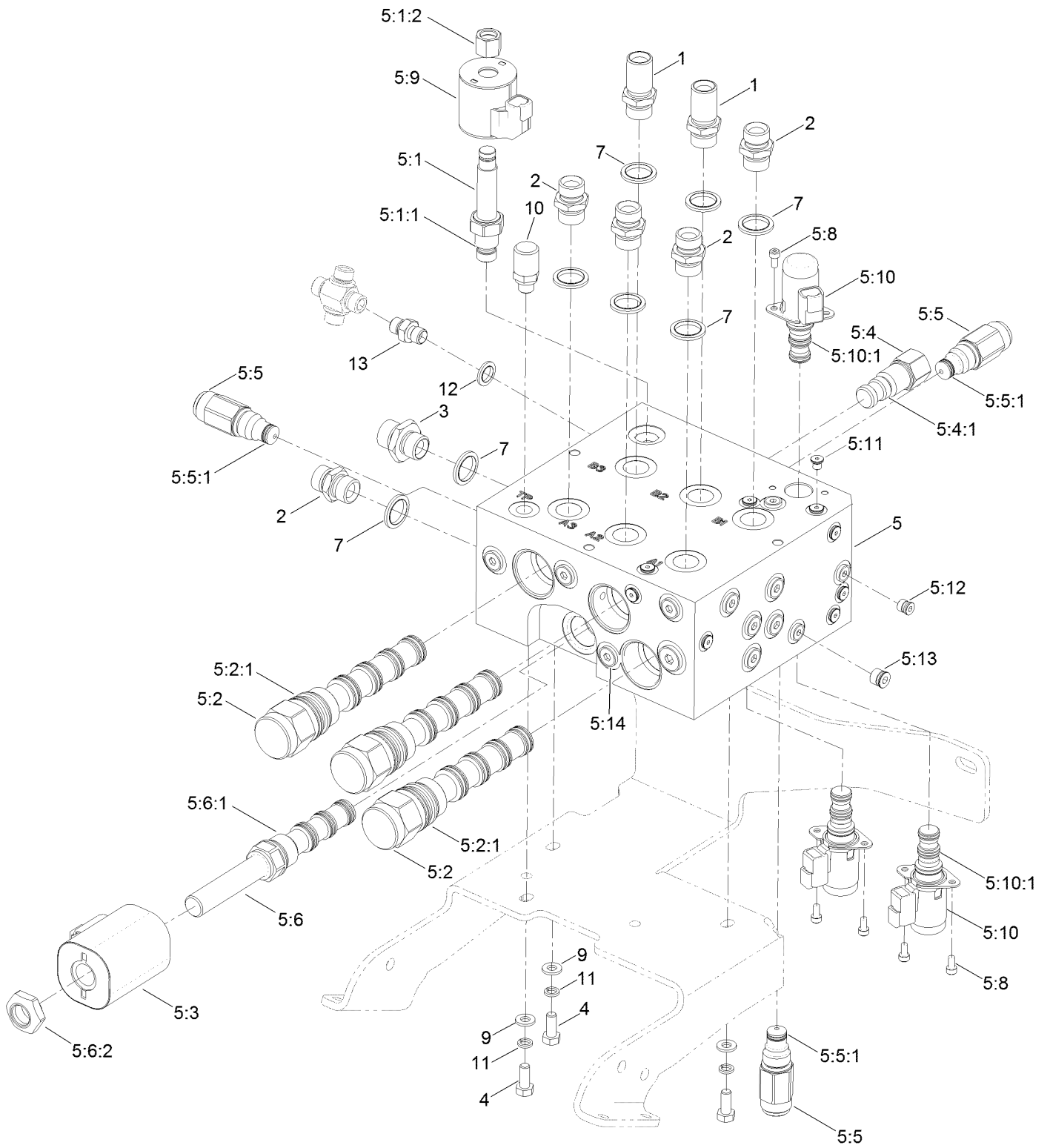


## Electrical Assembly (continued)

<i>Ref.</i>	<i>Part Number</i>	<i>Qty.</i>	<i>Description</i>	<i>Ref.</i>	<i>Part Number</i>	<i>Qty.</i>	<i>Description</i>
1	111-9115	1	Harness-Main	4	111-8006	1	Controller ASM
1:5	995714	2	Fuse-50A	5	134-0435-03	1	Plate-Base, Electrical
1:34	111-0348	2	Diode ●	6	70-09-108	1	Horn ASM
1:59	111-2898	1	Fuse-40A	7	09430	4	Nut-Nyloc
1:60	70-09-026	3	Fuse-10A	8	09438	4	Nut-Nyloc
1:76	111-0360	6	Base-Relay ●	9	09441	1	Nut-Hex, NI
1:77	111-0361	2	Base-Relay, 70A ●	10	ZDH1E012U	3	Screw-HH
1:78	70-09-096	1	Box-Fuse	11	ZDH1E016U	3	Screw-HH
1:79	111-0303	1	Bracket-Maxifuse ●	12	09368	1	Screw-HH
1:80	111-0302	3	Cover	13	09644	2	Washer-Spring
1:81	111-0283	3	Holder-Maxifuse ●	14	09476	2	Washer-Shakeproof
1:82	924625	2	Relay-70A	15	09475	2	Washer
1:83	111-0336	5	Relay-30A	16	09470	10	Washer
2	09703	4	Bolt-HH	17	09472	8	Washer-Plain
3	111-4842-03	1	Bracket-Fuse	99	111-6745	1	Harness-Manifold, Cutters ●

● Not illustrated

# Cutter Control Manifold Assembly

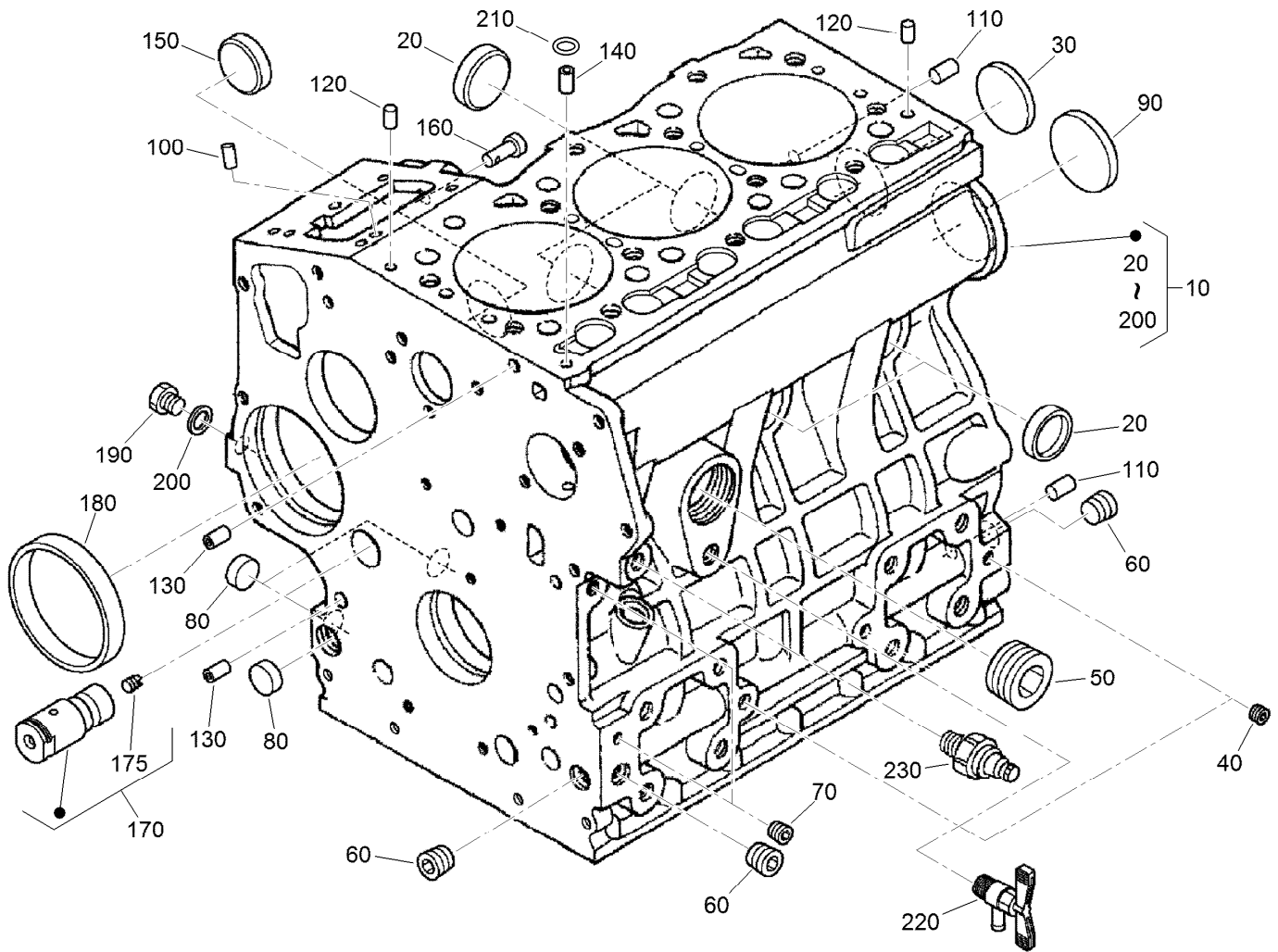




## Cutter Control Manifold Assembly (continued)

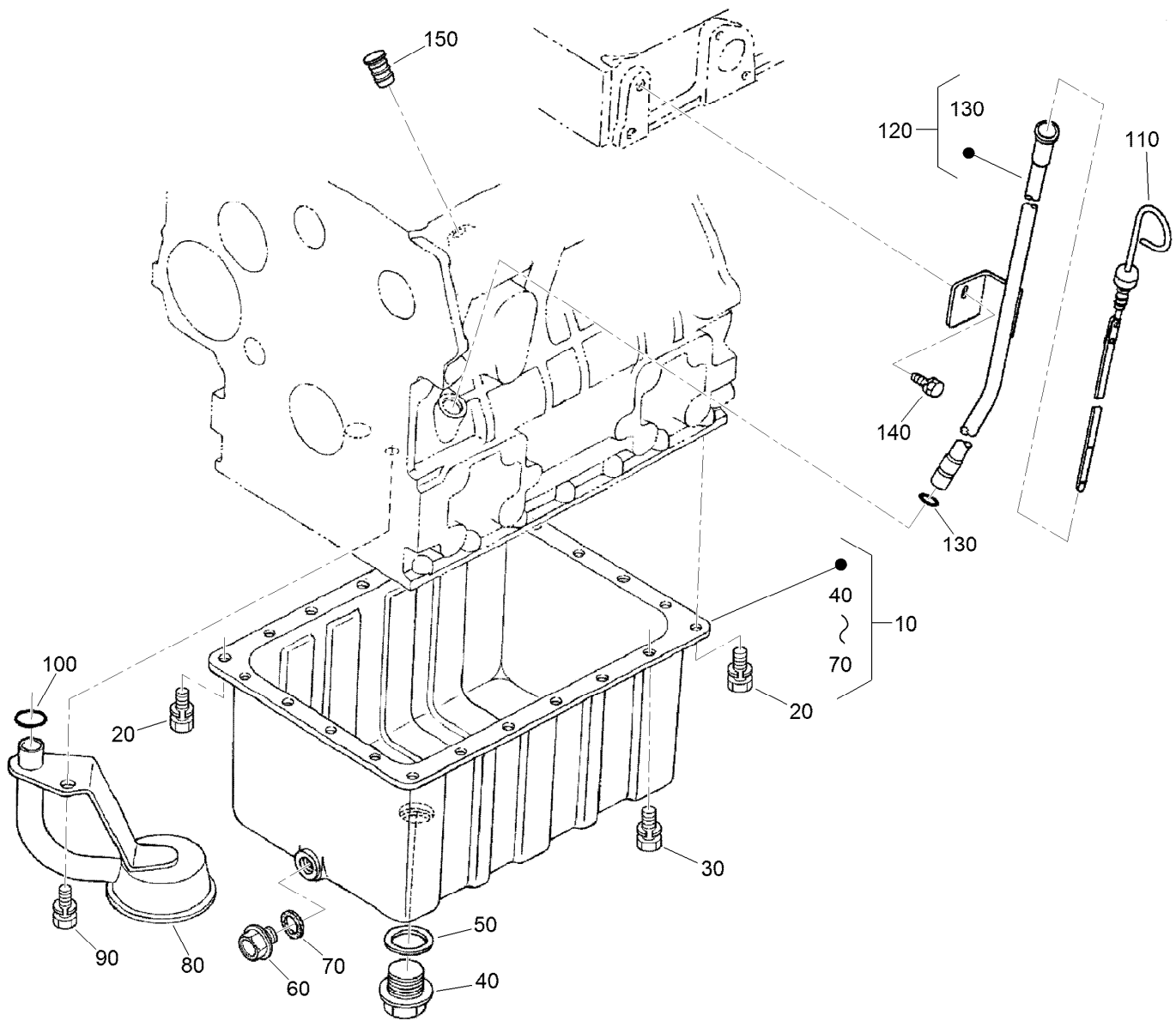
<i>Ref.</i>	<i>Part Number</i>	<i>Qty.</i>	<i>Description</i>	<i>Ref.</i>	<i>Part Number</i>	<i>Qty.</i>	<i>Description</i>
1	09-06-216	2	Adaptor-Bulkhead	5:6:1	111-6836	1	Seal Kit
2	10-06-078	5	Adaptor-BSPP	5:6:2	111-6840	1	Coil-Nut
3	950726	1	Adaptor-BSP	5:8	115-8733	6	Screw-HSH
4	09368	3	Screw-HH	5:9	119-4619	1	Coil-Solenoid
5	111-6597	1	Cutters Manifold ASM	5:10	125-7554	3	Valve-Solenoid
5:1	111-6825	1	Pressure-Proportional, Relief Valve	5:10:1	125-7561	1	Seal Kit ●
5:1:1	111-6826	1	Seal Kit ●	5:11	106-1024	14	Plug-Leak, Zero
5:1:2	130-8180	1	Nut-Coil (9/16-24 Unef-2B)	5:12	106-1025	5	Plug-HYD
5:2	111-6829	3	Valve-Spool, Piloted	5:13	106-1026	14	Plug-HYD
5:2:1	111-6830	1	Seal Kit ●	5:14	106-1027	2	Plug-HYD
5:3	111-6831	1	Coil-12V	7	10-06-032	8	Seal-Dowty
5:4	111-6832	1	Logic Element-Vented	9	ZWP1H000U	3	Washer-Plain
5:4:1	111-6827	1	Seal Kit ●	10	910615	1	Point-BSPP
5:5	111-6833	3	Relief Valve	11	03469	3	Washer-Spring
5:5:1	111-6828	1	Seal Kit	12	10-06-030	1	Seal-Dowty
5:6	111-6835	1	Valve-Solenoid	13	10-06-085	1	Adaptor

● Not illustrated



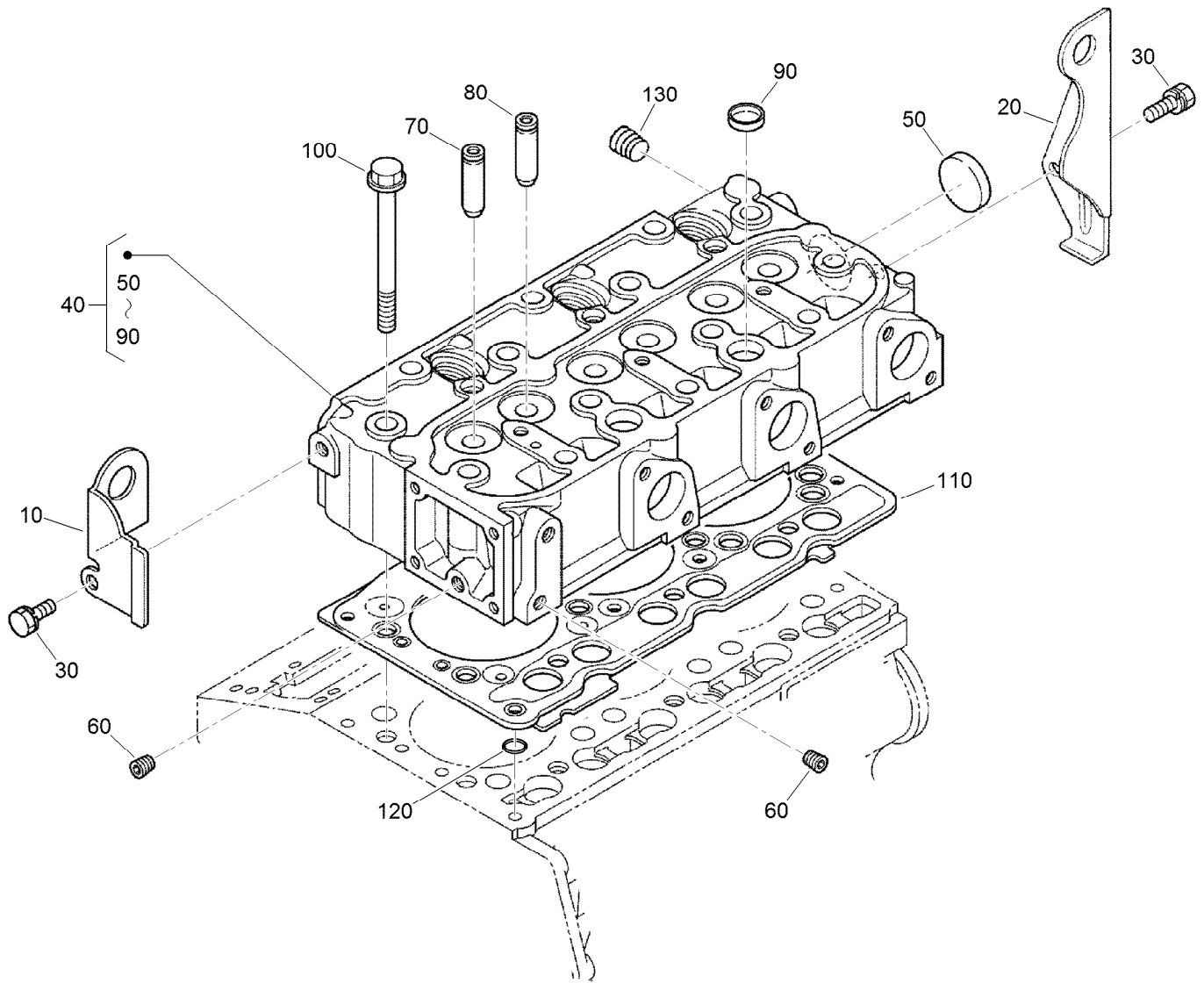
## Crankcase Assembly

<i>Ref.</i>	<i>Part Number</i>	<i>Qty.</i>	<i>Description</i>	<i>Ref.</i>	<i>Part Number</i>	<i>Qty.</i>	<i>Description</i>
10	130-1566	1	Crankcase ASM	130	98-9387	2	Pin-Pipe
20	98-9398	4	Cap-Sealing	140	98-9539	1	Pin-Pipe
30	98-7539	1	Cap-Sealing	150	98-9599	1	Plug
40	98-9687	3	Plug	160	98-9630	1	Pin-Spring, Start
50	105-3779	1	Plug	170	130-1237	1	Idler Shaft ASM
60	98-9597	3	Plug	175	98-7449	1	Screw-Set
70	98-7487	2	Plug	180	98-9656	1	Bushing-Governor, Gear
80	98-9379	3	Plug-Expansion	190	98-7507	1	Plug
90	98-9668	1	Plug-Expansion	200	98-7428	1	Gasket
100	98-9375	2	Pin-Straight	210	98-7509	1	O-Ring
110	98-9377	2	Pin-Straight	220	98-9436	1	Drain Cock ASM
120	98-9376	2	Pin-Straight	230	98-7764	1	Switch-Oil



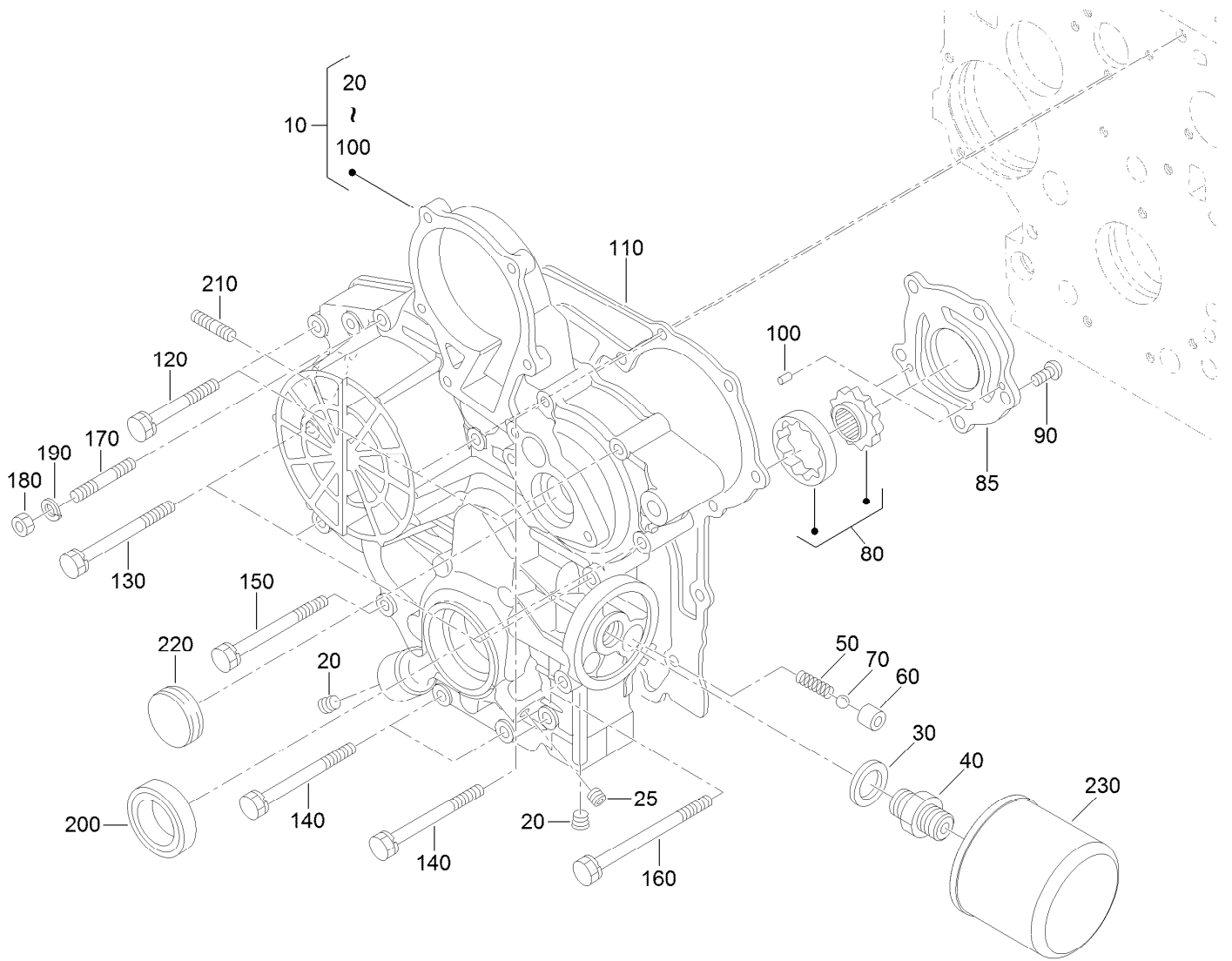
## Oil Pan, Pump and Dipstick Assembly

Ref.	Part Number	Qty.	Description
10	130-1282	1	Oil Pan Kit
20	98-9351	2	Bolt
30	98-9351	22	Bolt
40	98-9686	1	Plug-Drain
50	110-9715	1	Gasket-Pan, Oil
60	114-8151	1	Plug-Drain
70	98-7524	1	Gasket
80	115-4116	1	Filter-Oil
90	98-7526	1	Bolt
100	105-3776	1	O-Ring
110	120-3124	1	Gauge-Oil
120	98-9672	1	Oil Gauge Guide ASM
130	98-9722	1	O-Ring
140	100-9195	1	Bolt
150	110-3720	1	Plug-Gauge, Oil



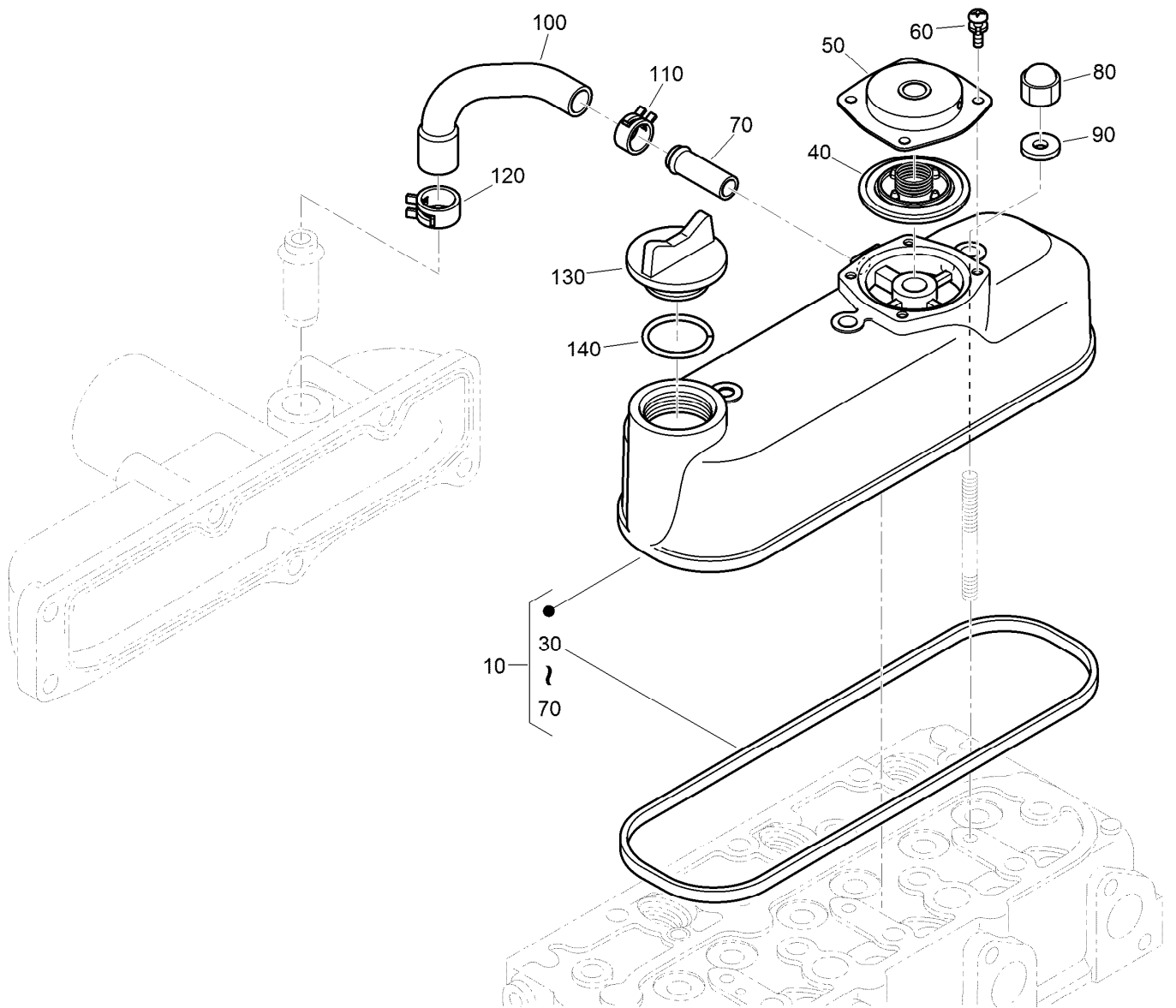
## Cylinder Head Assembly

<i>Ref.</i>	<i>Part Number</i>	<i>Qty.</i>	<i>Description</i>
10	130-1231	1	Hook-Engine
20	98-9478	1	Hook-Engine
30	100-9195	2	Bolt
40	115-3445	1	Cylinder Head ASM
50	105-3705	1	Cap-Sealing
60	98-9687	2	Plug
70	107-9066	3	Guide-Valve, Inlet
80	107-9067	3	Guide-Valve, Exhaust
90	98-9389	2	Cap-Sealing
100	98-9479	14	Bolt-Head, Cylinder
110	98-9613	1	Gasket-Head, Cylinder
110	108-6573	1	Gasket-Head, Cylinder
120	98-7509	1	O-Ring
130	98-9444	1	Plug



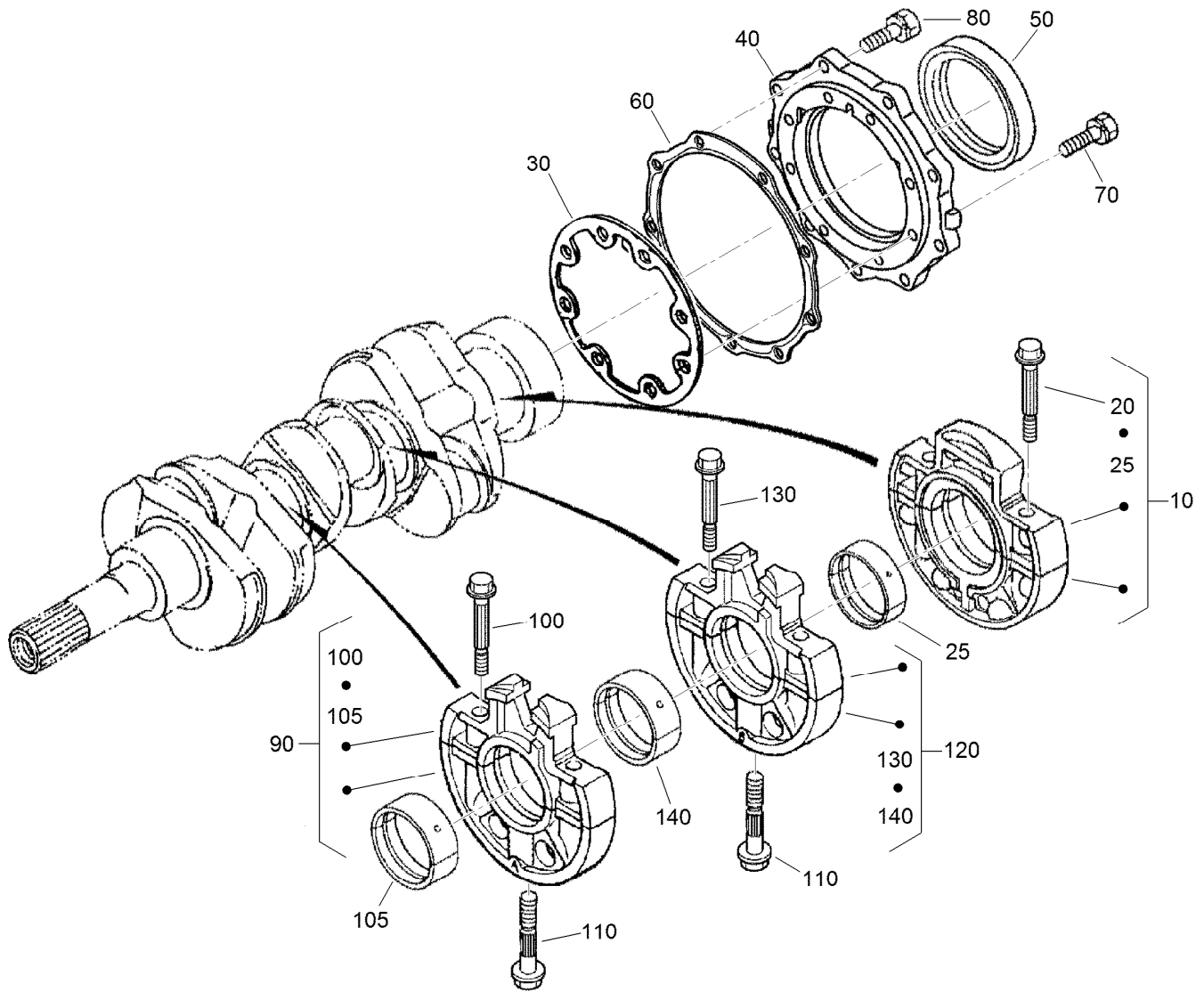
## Gear Case and Oil Filter Cartridge Assembly

Ref.	Part Number	Qty.	Description	Ref.	Part Number	Qty.	Description
10	115-4105	1	Gear Case ASM	120	100-1765	3	Bolt
20	98-9598	2	Plug	130	125-9063	4	Bolt-Sems
25	98-7487	1	Plug	140	98-9356	4	Bolt
30	98-7562	1	Washer-Plain	150	107-9074	1	Bolt
40	98-9388	1	Joint-Pipe	160	98-9586	1	Bolt
50	98-9544	1	Spring	170	105-3709	1	Stud
60	98-9543	1	Seat-Valve	180	100-2203	1	Nut-Flange
70	98-9380	1	Ball	190	98-7699	1	Washer-Spring
80	98-9540	1	Oil Pump Rotor ASM	200	119-8038	1	Seal-Oil
85	107-9069	1	Cover-Pump, Oil	210	105-3710	2	Stud
90	107-9071	5	Screw	220	98-9641	1	Cover-Case, Gear
100	107-9072	2	Pin-Straight	230	108-3841	1	Filter-Oil
110	98-9633	1	Gasket-Case, Gear				



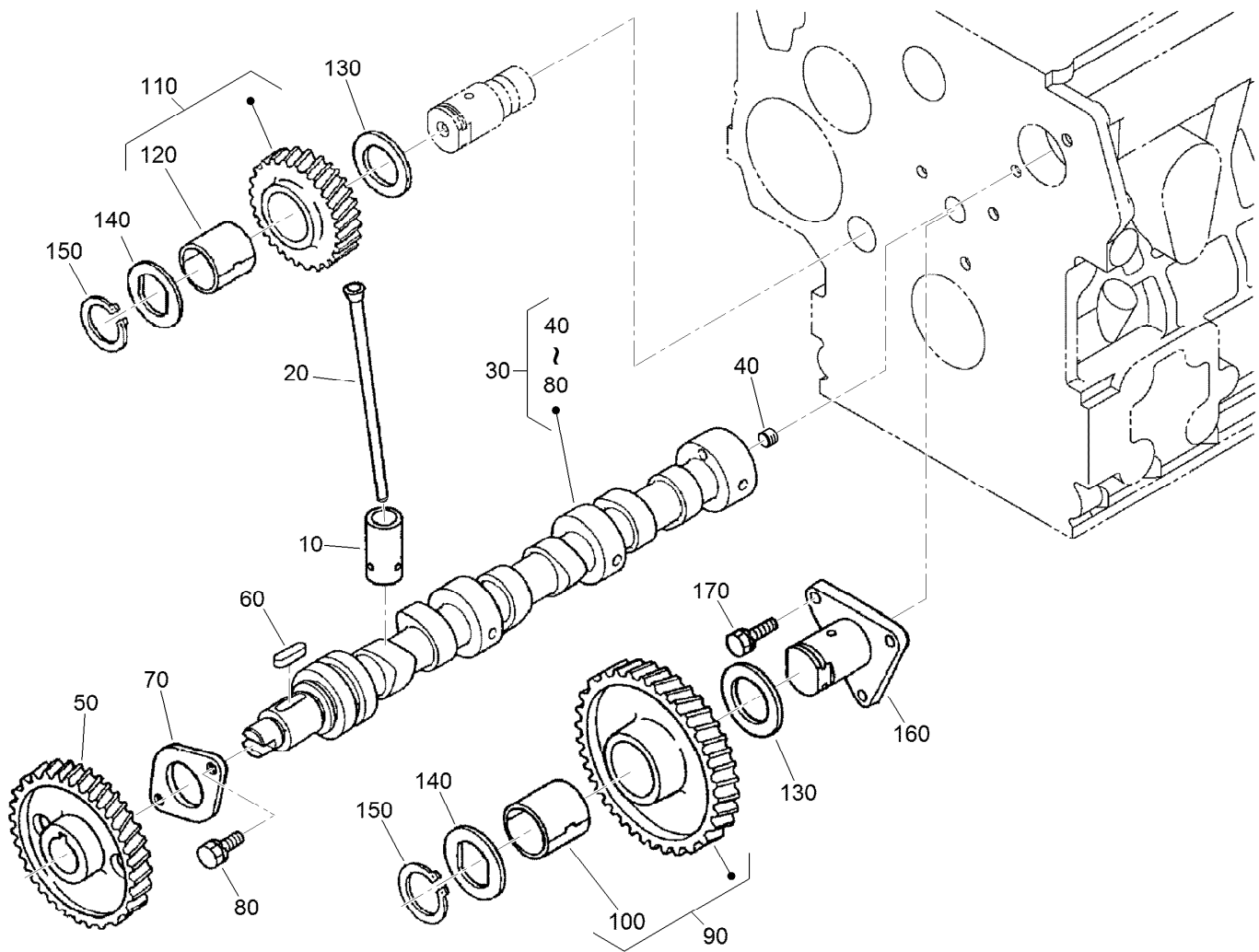
## Cylinder Head Cover Assembly

Ref.	Part Number	Qty.	Description
10	130-1372	1	Cylinder Head Cover ASM
30	130-1249	1	Gasket-Head Cover
40	110-3715	1	Valve-Breather
50	110-3714	1	Cover-Breather
60	98-9364	4	Screw (With Washer)
70	98-7766	1	Pipe-Return, Water
80	98-9455	3	Nut-Cap
90	98-9454	3	Gasket
100	108-2858	1	Tube-Breather
110	108-2859	1	Clamp-Hose
120	108-2860	1	Clamp-Hose
130	107-9075	1	Plug-Filler, Oil
140	99-3446	1	O-Ring



## Main Bearing Case Assembly

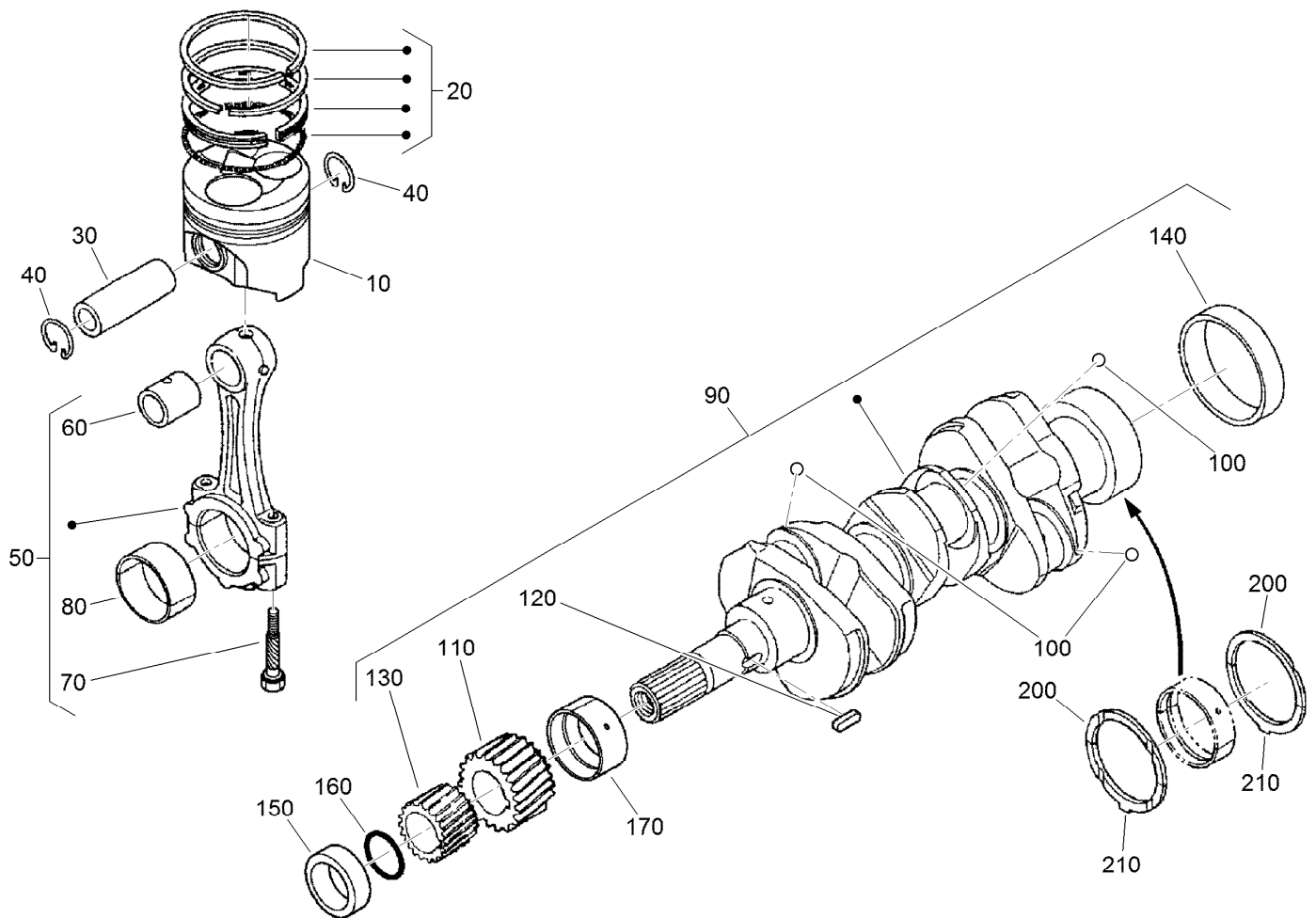
<i>Ref.</i>	<i>Part Number</i>	<i>Qty.</i>	<i>Description</i>	<i>Ref.</i>	<i>Part Number</i>	<i>Qty.</i>	<i>Description</i>
10	112-7026	1	Wheel Bearing Case ASM	90	115-4106	1	Main Bearing Case ASM
20	98-9484	2	Bolt-Case, Bearing	100	98-9484	2	Bolt-Case, Bearing
25	115-4121	1	Metal-Crankshaft (STD)	105	98-9524	1	Metal-Crankshaft (STD Set)
25	112-7039	1	Metal-Crankshaft (0.2Mm)	105	127-0433	1	Metal-Crankshaft (-0.2Mm)
25	112-7040	1	Metal-Crankshaft (-0.4Mm)	105	98-9531	1	Bearing-Main (0.4Mm)
30	127-0440	1	Gasket-Case, Bearing	110	98-9485	2	Bolt-Case, Bearing
40	112-7046	1	Cover-Case, Bearing	120	115-4107	1	Main Bearing Case ASM
50	112-0180	1	Seal-Oil	130	98-9484	2	Bolt-Case, Bearing
60	98-9635	1	Gasket-Cover, Bearing Case	140	98-9524	1	Metal-Crankshaft (STD Set)
70	127-0441	8	Bolt	140	127-0433	1	Metal-Crankshaft (-0.2Mm)
80	127-0442	9	Bolt	140	98-9531	1	Bearing-Main (0.4Mm)



## Camshaft and Idle Gear Shaft Assembly

<i>Ref.</i>	<i>Part Number</i>	<i>Qty.</i>	<i>Description</i>	<i>Ref.</i>	<i>Part Number</i>	<i>Qty.</i>	<i>Description</i>
10	112-0185	6	Tappet	100	117-7585	1	Bushing-Gear, Idle
20	127-0421	6	Rod-Push	110	130-1259	1	Idler Gear ASM
30	130-1250	1	Camshaft ASM	120	117-7585	1	Bushing-Gear, Idle
40	110-3729	1	Ball	130	98-9535	2	Collar-Gear, Idle
50	98-9512	1	Gear-Cam	140	98-9536	2	Collar-Gear, Idle
60	98-9378	1	Key-Feather	150	98-9534	2	Circlip-Gear, Idle
70	98-9510	1	Stopper-Camshaft	160	98-9533	1	Shaft-Gear, Idle
80	98-7692	2	Bolt	170	98-7692	3	Bolt
90	117-7584	1	Idler Gear ASM				

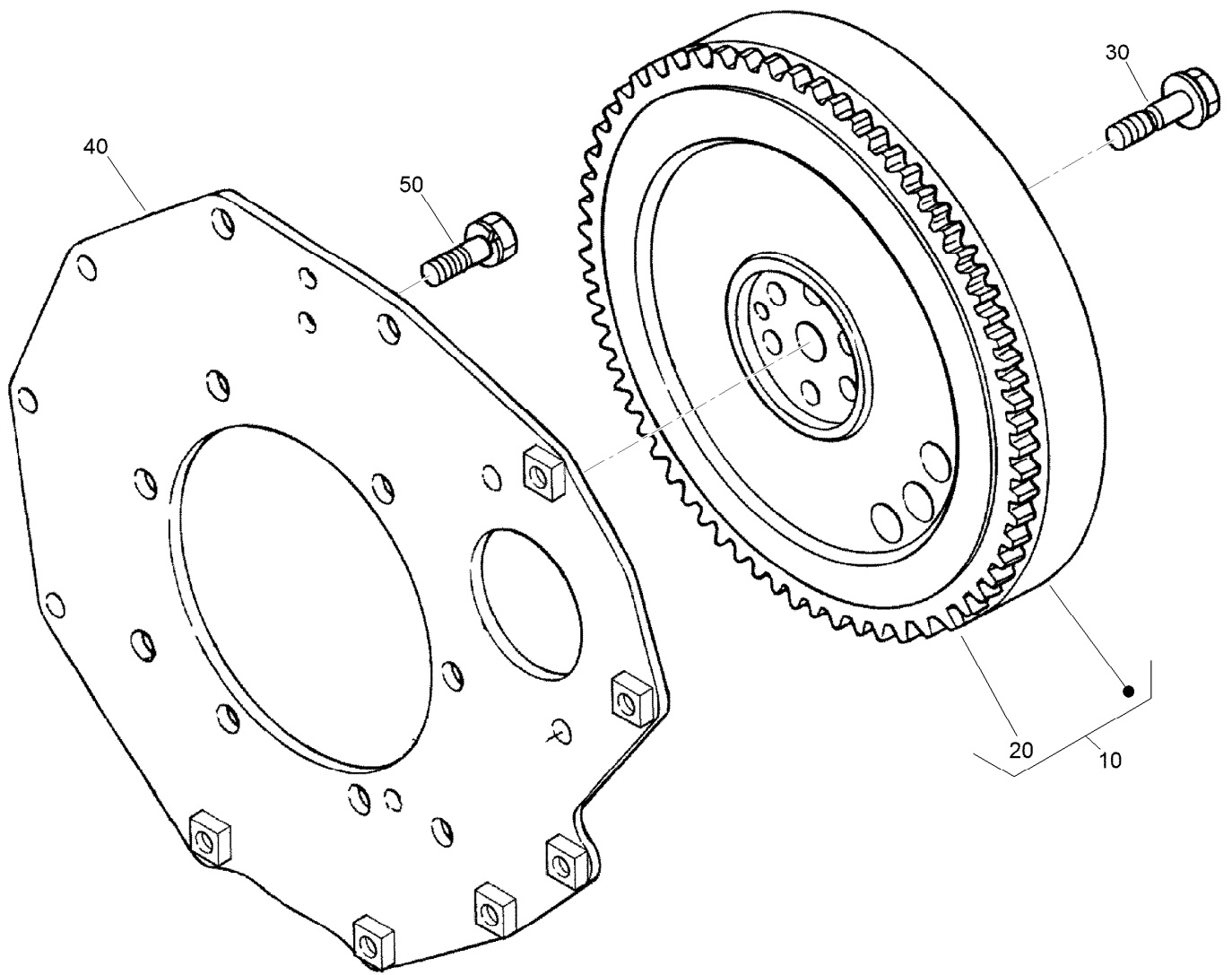




## Piston and Crankshaft Assembly

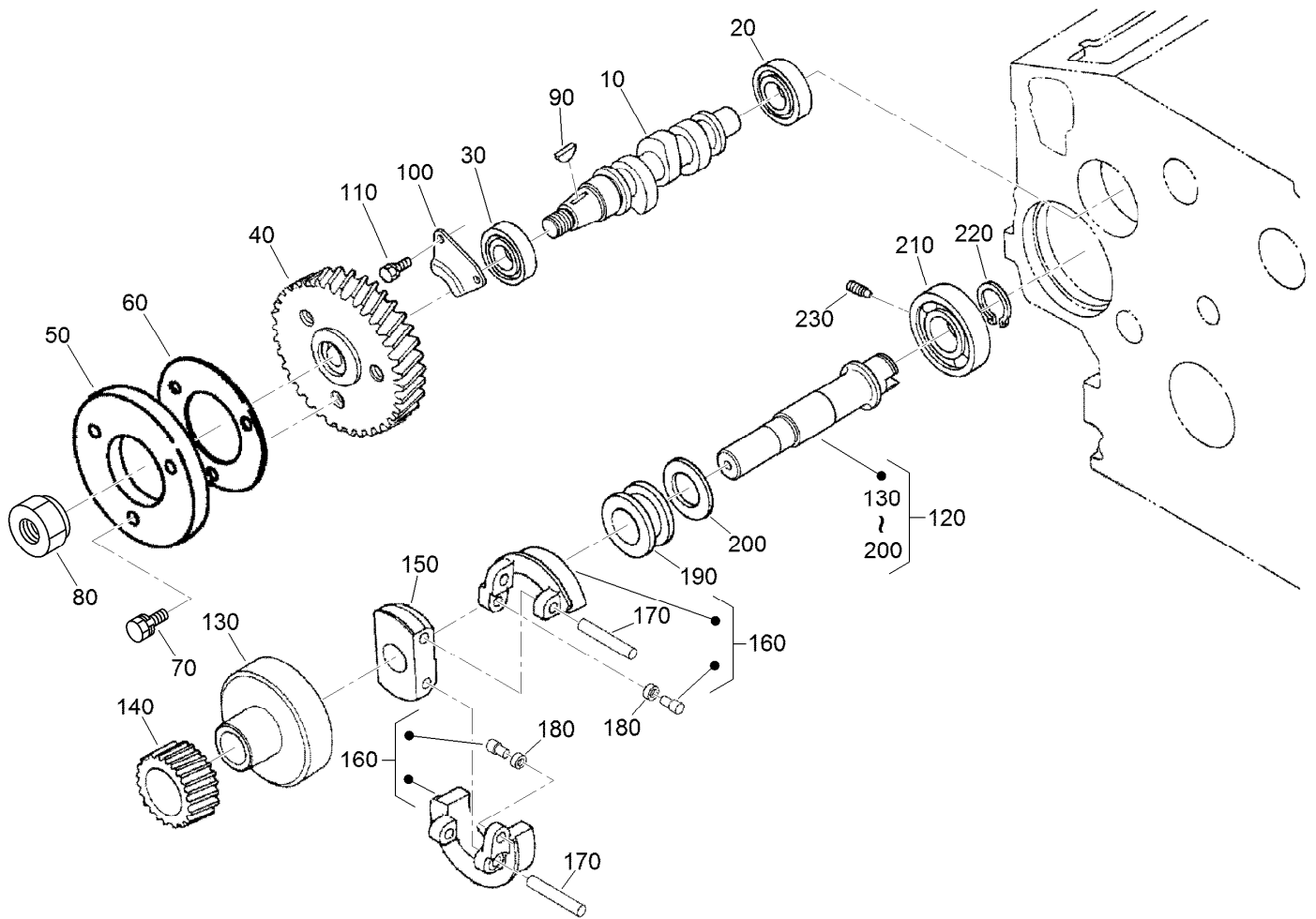
Ref.	Part Number	Qty.	Description
10	112-8404	3	Piston (STD)
10	112-8414	3	Piston (+0.5Mm)
20	98-9618	3	Piston Ring ASM (STD)
20	98-9619	3	Piston Ring ASM (0.5Mm)
30	98-9513	3	Pin-Piston
40	98-9514	6	Circlip-Pin, Piston
50	117-7586	3	Connecting Rod ASM
60	115-3014	3	Bushing-Pin, Piston
70	98-9517	6	Bolt-Rod, Connecting
80	98-9553	3	Bearing-Rod (STD)
80	117-7587	3	Metal-Crankpin (-0.2Mm)
80	117-7588	3	Metal-Crankpin (-0.4Mm)
90	98-9642	1	Crankshaft ASM
100	110-3729	3	Ball
110	117-7561	1	Gear-Crankshaft

Ref.	Part Number	Qty.	Description
120	98-9666	1	Key
130	127-0445	1	Gear-Drive, Oil Pump
140	98-9522	1	Sleeve-Crankshaft
150	127-0444	1	Collar-Crankshaft
160	105-3783	1	O-Ring
170	112-7005	1	Bearing-Main (STD)
170	98-9528	1	Bearing-Main (-0.2Mm)
170	130-1274	1	Metal-Crankshaft (-0.40Mm)
200	98-9413	2	Bearing-Thrust (STD)
200	127-0416	2	Metal-Side (+0.2Mm)
200	127-0417	2	Metal-Side (+0.40Mm)
210	98-9688	2	Bearing-Thrust (STD)
210	127-0437	2	Metal-Side (+0.2Mm)
210	127-0438	2	Metal-Side (+0.40Mm)



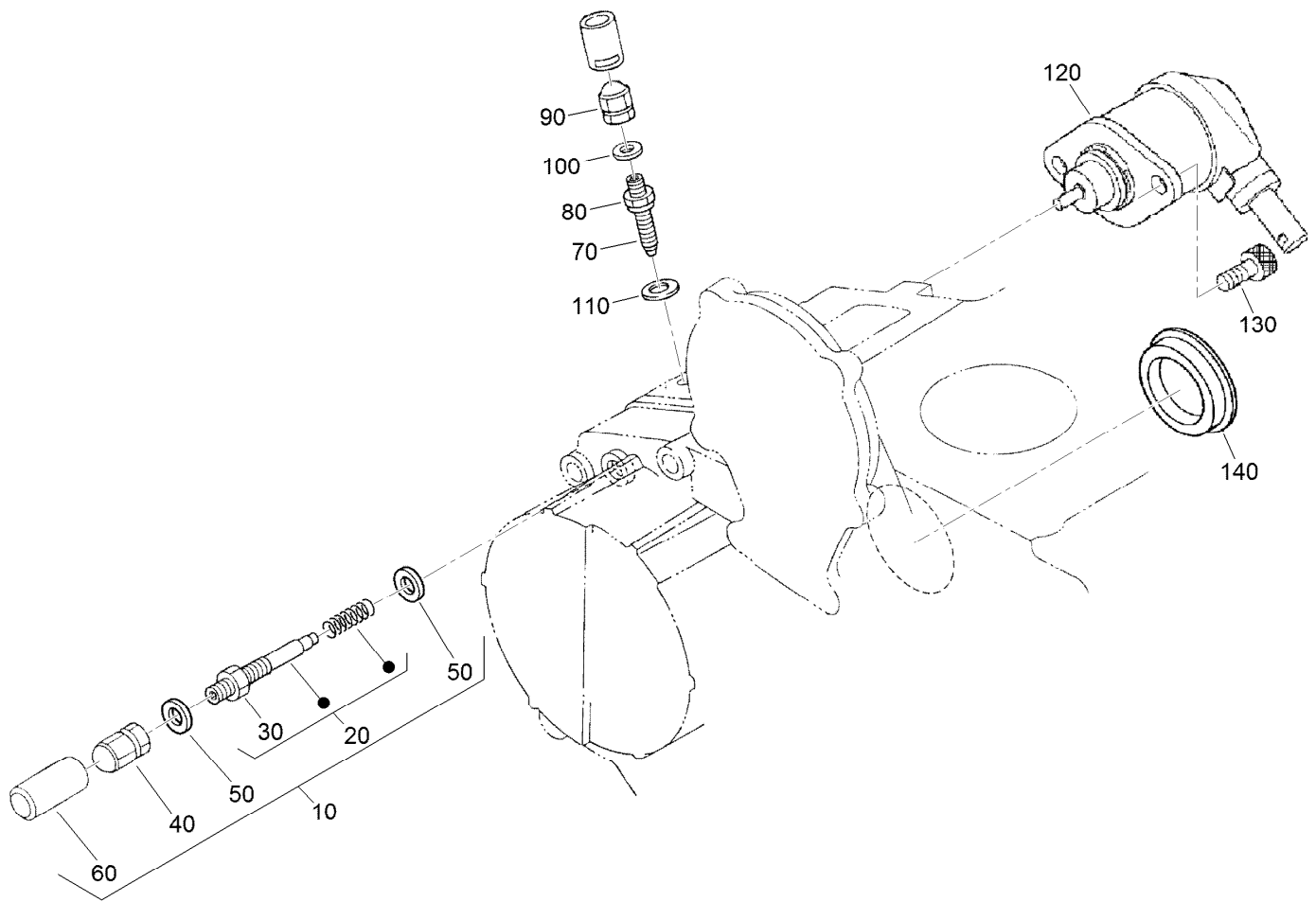
## Flywheel Assembly

<i>Ref.</i>	<i>Part Number</i>	<i>Qty.</i>	<i>Description</i>
10	105-3784	1	Flywheel ASM
20	115-3015	1	Gear-Ring
30	98-9537	6	Bolt-Flywheel
40	98-9486	1	Plate-End, Rear
50	98-9392	8	Bolt



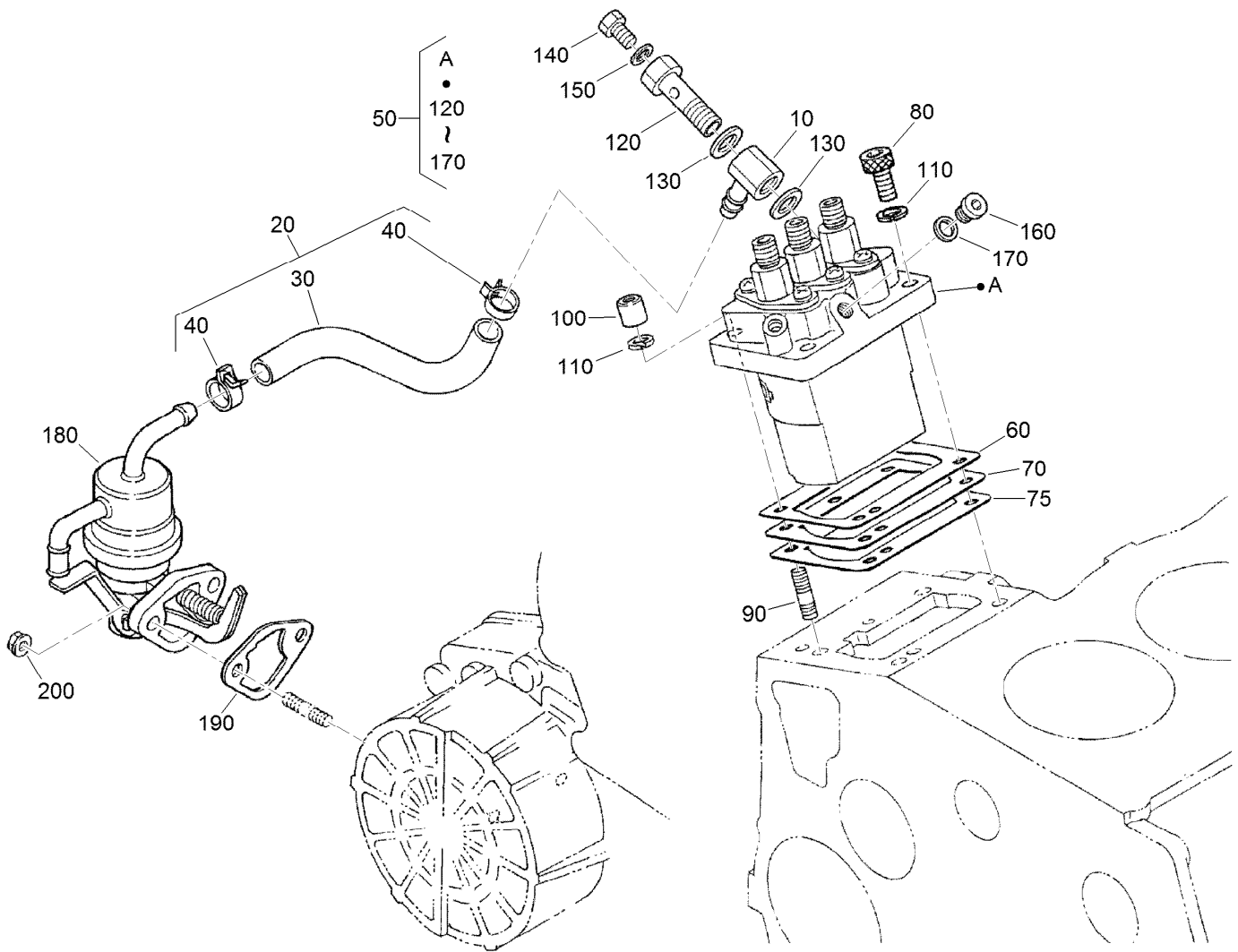
## Fuel Camshaft and Governor Shaft Assembly

<i>Ref.</i>	<i>Part Number</i>	<i>Qty.</i>	<i>Description</i>	<i>Ref.</i>	<i>Part Number</i>	<i>Qty.</i>	<i>Description</i>
10	98-9459	1	Camshaft-Fuel	130	98-9562	1	Holder-Gear, Governor
20	107-9077	1	Bearing-Ball	140	130-1264	1	Gear-Governor
30	107-9078	1	Bearing-Ball	150	98-9561	1	Holder-Weight, Governor
40	98-9669	1	Gear-Pump, Injection	160	130-1263	2	Governor Weight ASM
50	130-1239	1	Cam-Fuel	170	98-9560	2	Shaft-Weight, Governor
60	98-9548	1	Washer	180	98-9692	2	Roller
70	98-9350	3	Bolt	190	98-9563	1	Sleeve-Governor
80	130-1512	1	Nut	200	98-9564	1	Washer-Thrust
90	98-9595	1	Key-Woodruff	210	107-9079	1	Bearing-Ball
100	98-9511	1	Stopper-Fuel, Camshaft	220	98-9657	1	Circlip-Shaft, Governor
110	98-7692	2	Bolt	230	98-9565	1	Screw-Set
120	130-1252	1	Governor Shaft ASM				



## Idle Apparatus and Stop Solenoid Assembly

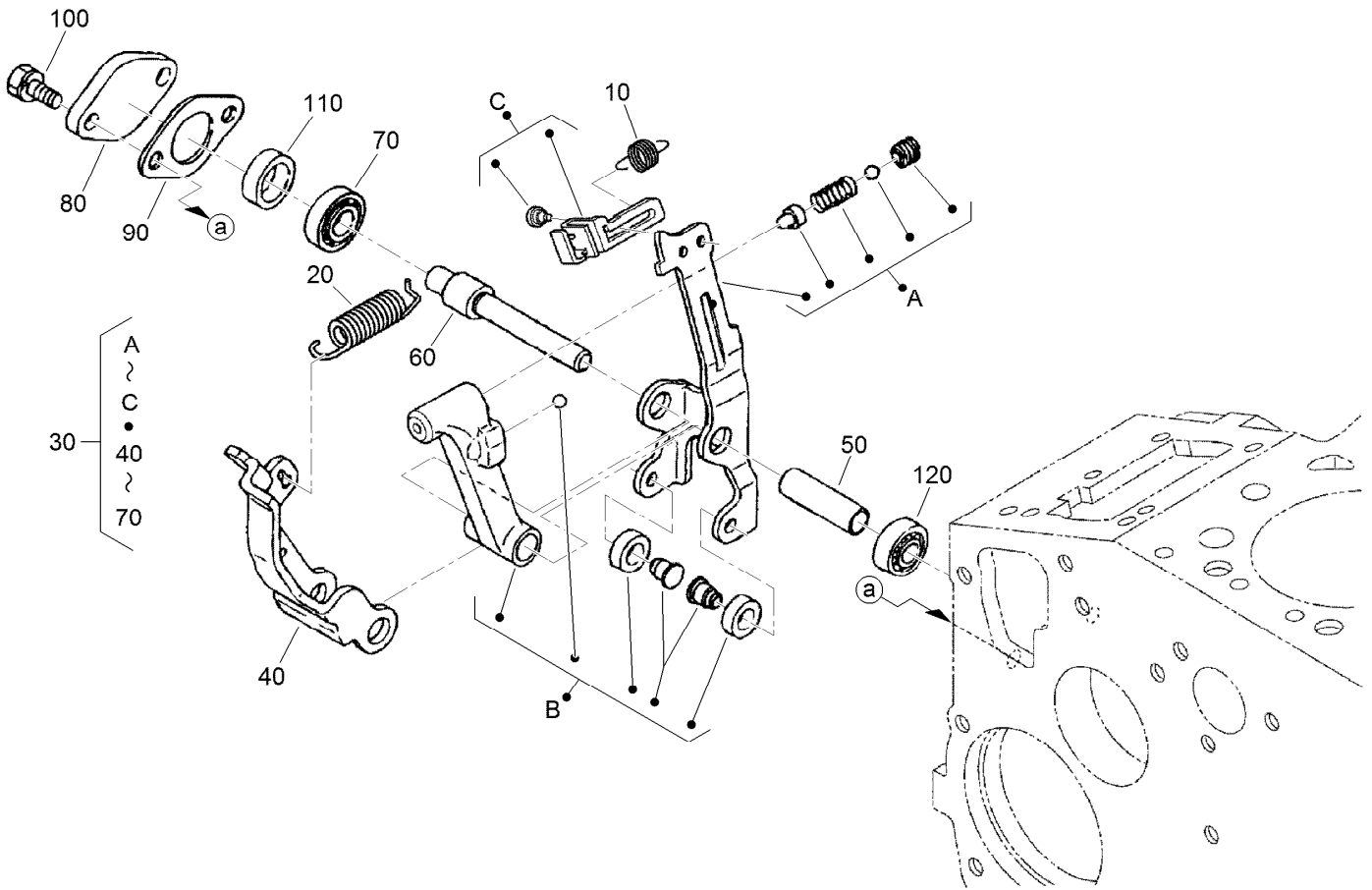
<i>Ref.</i>	<i>Part Number</i>	<i>Qty.</i>	<i>Description</i>
10	98-9678	1	Idle Apparatus ASM
20	112-7014	1	Adjusting Bolt ASM
30	98-9439	1	Nut
40	112-0181	1	Nut
50	98-7654	2	Gasket
60	98-7656	1	Cap
70	112-7015	1	Bolt-Adjusting
80	100-2175	1	Nut-Lock
90	112-0181	1	Nut
100	98-7654	1	Gasket
110	107-9081	1	Gasket
120	104-5155	1	Solenoid-Stop
130	130-1155	2	Screw-HSH
140	112-7016	1	Cover-Pump



## Injection Pump and Fuel Pump Assembly

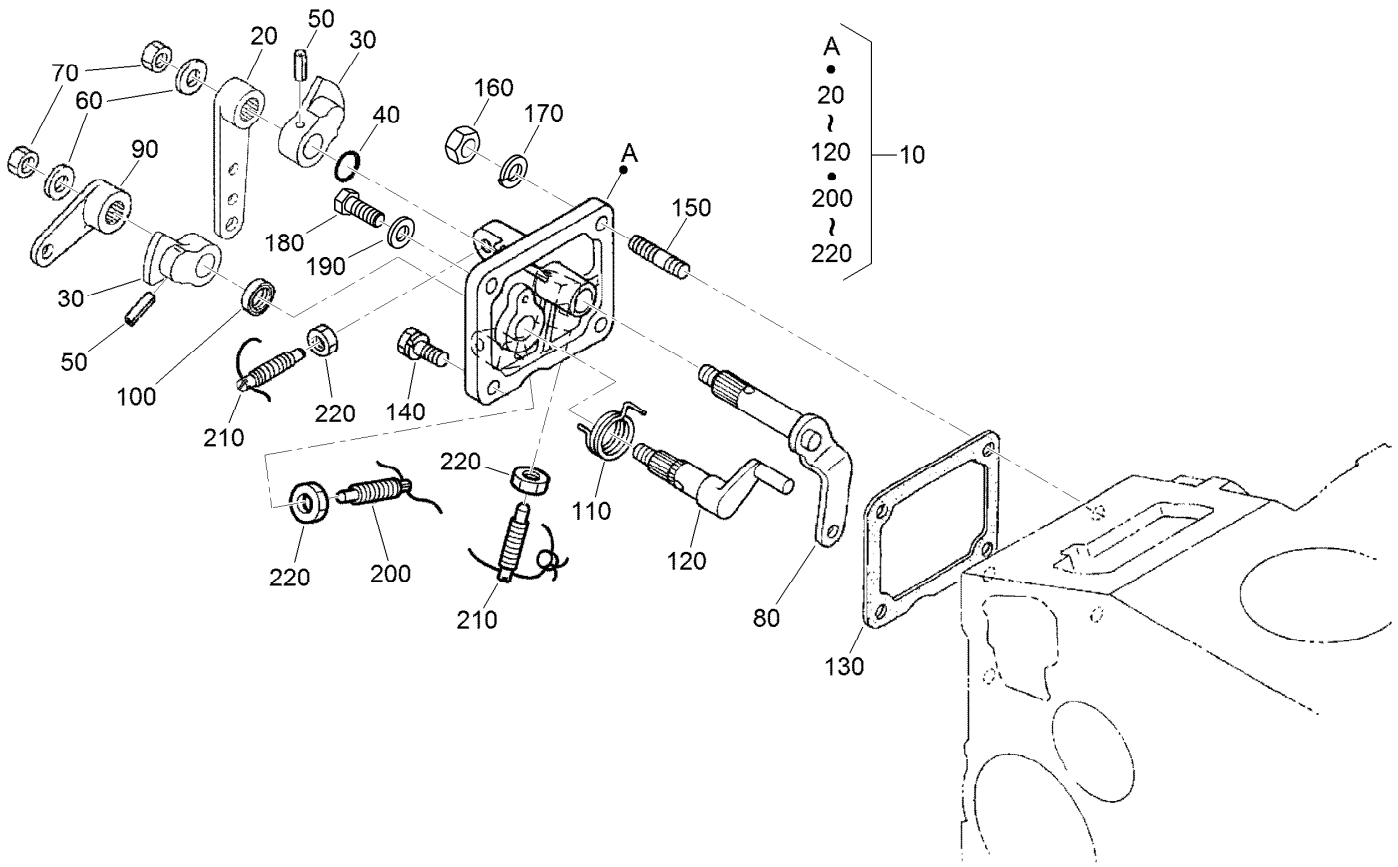
Ref.	Part Number	Qty.	Description
10	98-9596	1	Joint-Eye
20	98-9467	1	Fuel Pipe ASM
30	98-9384	1	Tube-Fuel
40	100-2217	2	Clip-Pipe
50	98-9643	1	Injection Pump ASM
60	115-3045	1	Shim-Injection (0.175Mm)
70	98-9456	1	Shim-Injection (0.20Mm)
70	98-9457	1	Shim-Injection (0.25Mm)
75	115-3046	1	Shim-Injection (0.35Mm)
75	98-9458	1	Shim-Injection (0.30Mm)
80	117-7564	2	Bolt-Hex Soc HD
90	98-9438	2	Stud

Ref.	Part Number	Qty.	Description
100	98-9440	2	Nut-Cap
110	98-7699	4	Washer-Spring
120	98-9464	1	Bolt-Joint
130	98-9445	2	Gasket
140	98-9430	1	Screw
150	98-9446	1	Gasket
160	98-9466	1	Plug
170	98-9451	1	Gasket
180	98-9677	1	Fuel Pump ASM
190	117-7562	1	Gasket-Pump, Fuel
200	100-2203	2	Nut-Flange



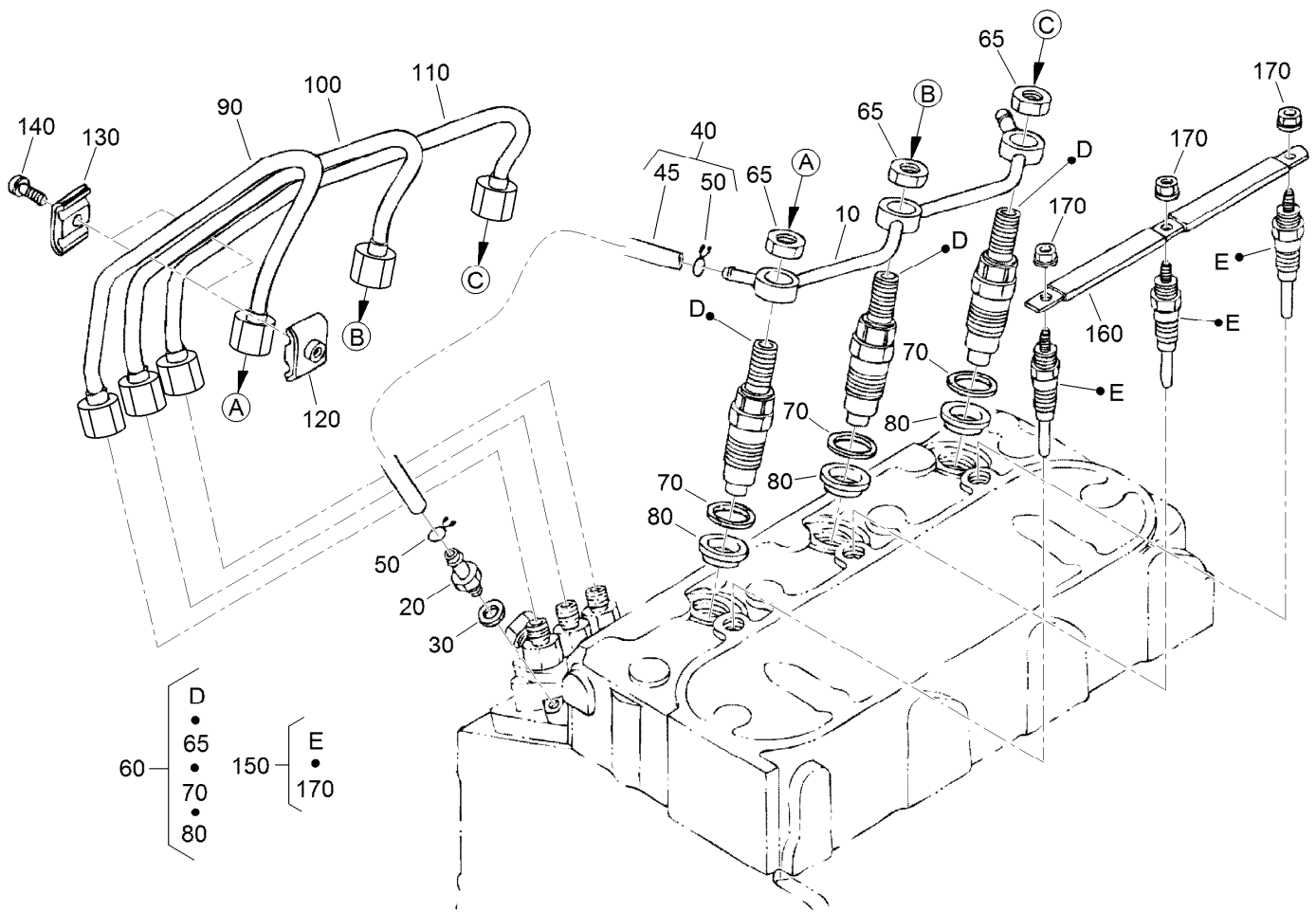
## Governor Assembly

Ref.	Part Number	Qty.	Description
10	105-3786	1	Spring-Start
20	98-9681	1	Spring-Governor
30	112-7015	1	Bolt-Adjusting
40	107-9084	1	Lever-Fork
50	107-9085	1	Shaft-Lever, Fork
60	107-9086	1	Shaft-Lever, Fork
70	98-9570	1	Bearing-Miniaturize
80	115-4122	1	Cover-Shaft, Fork Lever
90	98-9682	1	Gasket
100	98-9351	2	Bolt
110	98-9567	1	Collar
120	98-9571	1	Bearing-Miniaturize



## Speed Control Plate Assembly

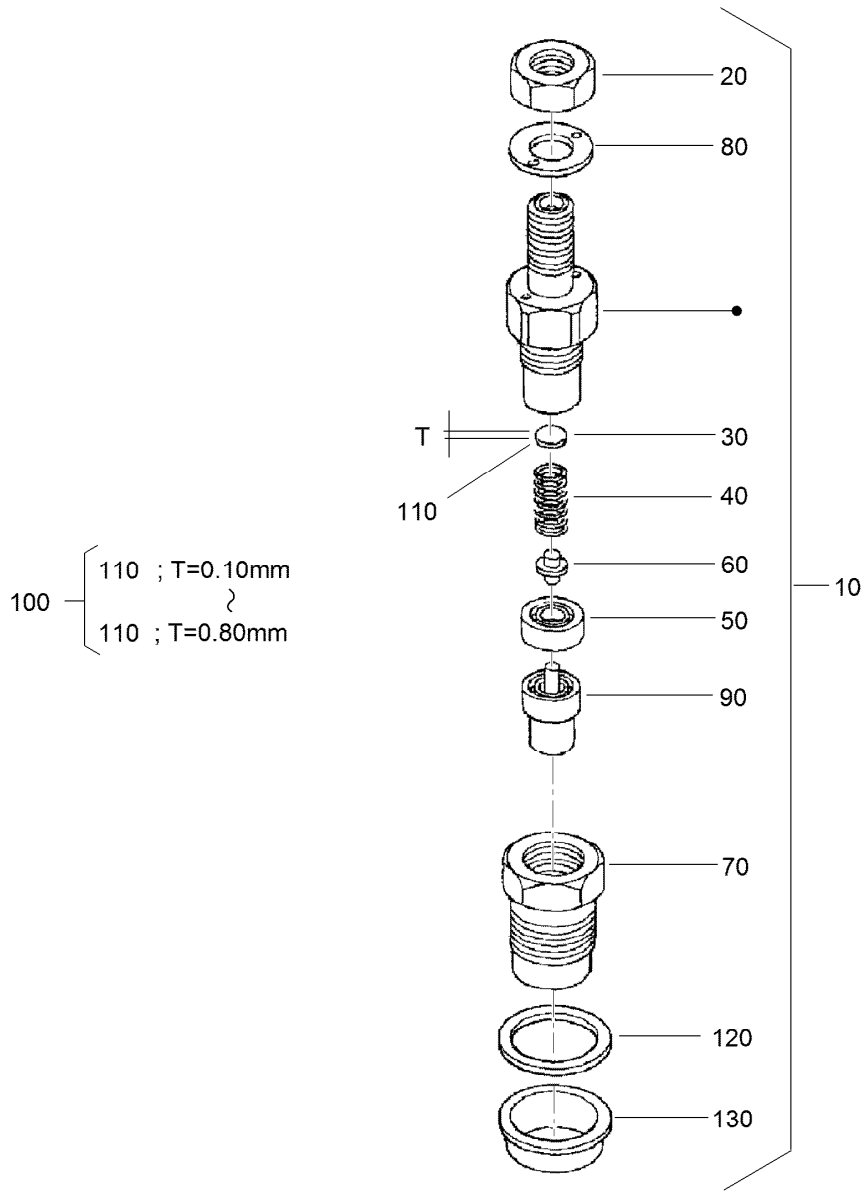
<i>Ref.</i>	<i>Part Number</i>	<i>Qty.</i>	<i>Description</i>	<i>Ref.</i>	<i>Part Number</i>	<i>Qty.</i>	<i>Description</i>
10	98-9661	1	Control Plate ASM	120	98-9664	1	Shaft-Lever, Stop
20	98-9662	1	Lever-Control, Speed	130	98-9637	1	Gasket
30	98-9572	2	Lever-Control, Speed	140	98-7692	1	Bolt
40	105-3788	1	O-Ring	150	105-3710	2	Stud
50	98-7602	2	Pin-Spring	160	100-2203	2	Nut-Flange
60	98-9594	2	Washer-Plain	170	98-7699	2	Washer-Spring
70	98-9589	2	Nut	180	127-0401	1	Bolt-Hex
80	98-9658	1	Governor Lever ASM	190	98-7654	1	Gasket
90	98-9663	1	Lever-Stop, Engine	200	117-7566	1	Bolt-Adjusting
100	98-7601	1	Seal-Oil	210	117-7565	2	Bolt-Adjusting
110	98-9472	1	Spring-Return	220	98-7572	3	Nut



## Nozzle Holder and Glow Plug Assembly

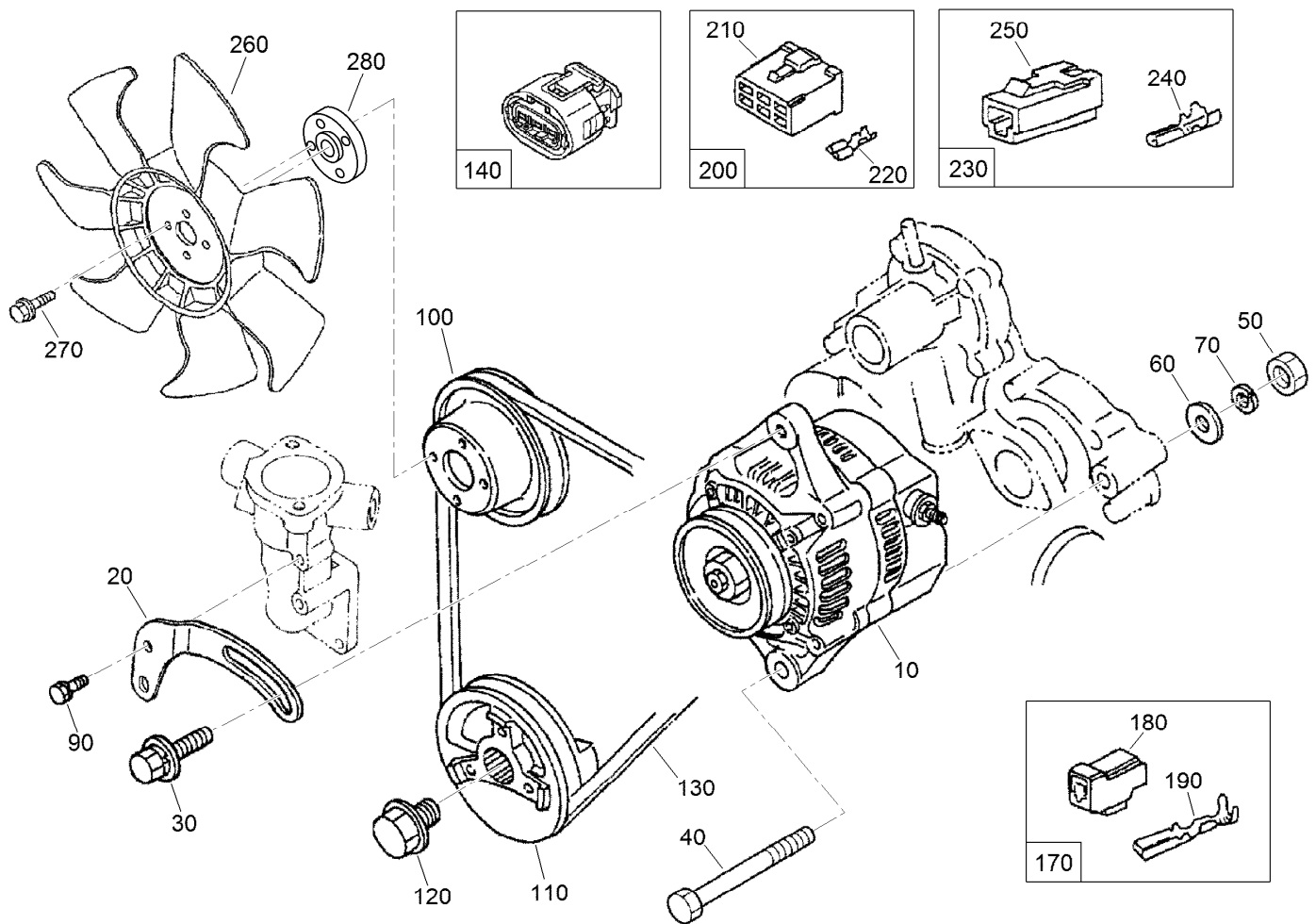
<i>Ref.</i>	<i>Part Number</i>	<i>Qty.</i>	<i>Description</i>	<i>Ref.</i>	<i>Part Number</i>	<i>Qty.</i>	<i>Description</i>
10	98-9620	1	Overflow Pipe ASM	90	98-9653	1	Pipe-Injection
20	98-9431	1	Screw-Bleeder, Air	100	98-9654	1	Pipe-Injection
30	98-7654	1	Gasket	110	98-9655	1	Pipe-Injection
40	98-9420	1	Overflow Pipe ASM	120	98-7682	2	Clamp-Pipe
45	112-0182	1	Pipe-Overflow	130	98-7683	2	Clamp-Pipe
50	98-7671	2	Clip-Pipe	140	98-7684	2	Screw (W/Washer)
60	108-2866	3	Nozzle Holder Kit	150	115-3019	3	Plug-Glow
65	121-2411	3	Nut	160	98-9631	1	Cord-Plug, Glow
70	98-7676	3	Gasket	170	99-8377	3	Nut-Flange
80	98-7677	3	Seal-Heat				





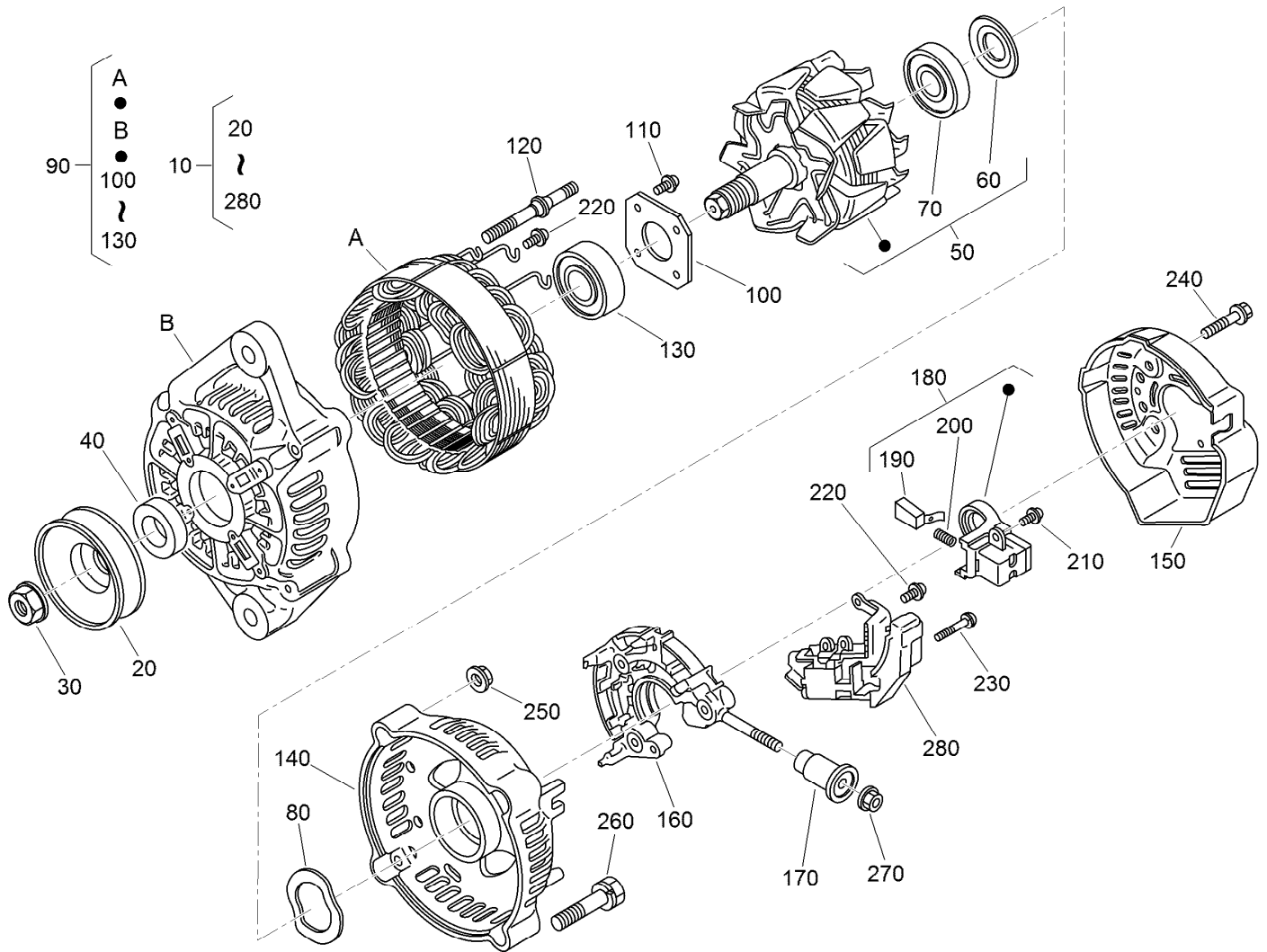
## Nozzle Holder Assembly

Ref.	Part Number	Qty.	Description	Ref.	Part Number	Qty.	Description
10	108-2866	3	Nozzle Holder Kit	110	99-8311	3	Washer-Adjust (0.20Mm)
20	99-8301	3	Nut	110	99-8312	3	Washer-Adjust (0.30Mm)
30	99-8302	3	Washer-Adjusting	110	99-8313	3	Washer-Adjust (0.40Mm)
40	99-8303	3	Spring-Nozzle	110	99-8314	3	Washer-Adjust (0.50Mm)
50	99-8304	3	Spacer-Distance	110	99-8315	3	Washer-Adjust (0.52Mm)
60	99-8305	3	Rod-Push	110	99-8316	3	Washer-Adjust (0.54Mm)
70	99-8306	3	Nut-Nozzle	110	99-8317	3	Washer-Adjust (0.56Mm)
80	99-8307	3	Washer-Plain	110	99-8318	3	Washer-Adjust (0.58Mm)
90	107-7826	3	Piece-Nozzle	110	99-8319	3	Washer-Adjust (0.80Mm)
100	99-8309	3	Adjusting Washer ASM	120	98-7676	3	Gasket
110	99-8310	3	Washer-Adjust (0.10Mm)	130	98-7677	3	Seal-Heat



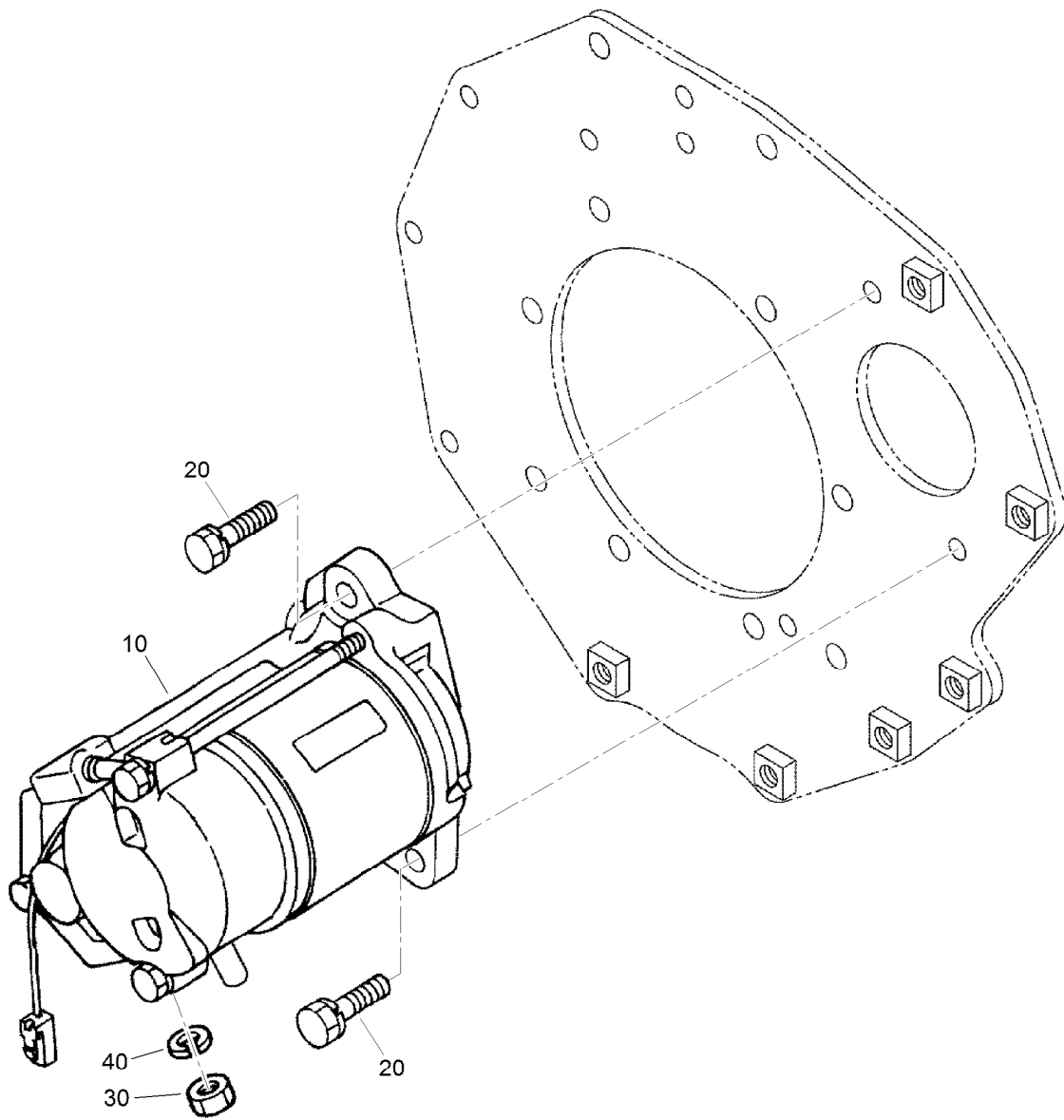
## Alternator and Pulley Assembly

Ref.	Part Number	Qty.	Description	Ref.	Part Number	Qty.	Description
10	121-3811	1	Alternator ASM	170	115-8600	1	Coupler ASM
20	112-7047	1	Stay-Dynamo	180	115-8601	1	Connector
30	108-7088	1	Bolt	190	115-8602	2	Terminal
40	98-9360	1	Bolt	200	130-1290	1	Connector Coupler ASM
50	98-7737	1	Nut	210	98-9697	1	Connector
60	98-9366	1	Washer-Plain	220	98-9699	2	Terminal
70	98-7738	1	Washer-Spring	230	130-1328	1	Terminal
90	98-7692	1	Bolt	240	130-1175	1	Connector
100	98-9584	1	Pulley-Fan	250	130-1176	1	Terminal
110	98-9473	1	Pulley-Drive, Fan	260	130-4597	1	Fan-Cooling
120	98-9585	1	Bolt	270	99-8363	4	Bolt-Flange
130	98-9676	1	V-Belt	280	130-4598	1	Collar-Fan
140	130-1291	1	Connector ASM				



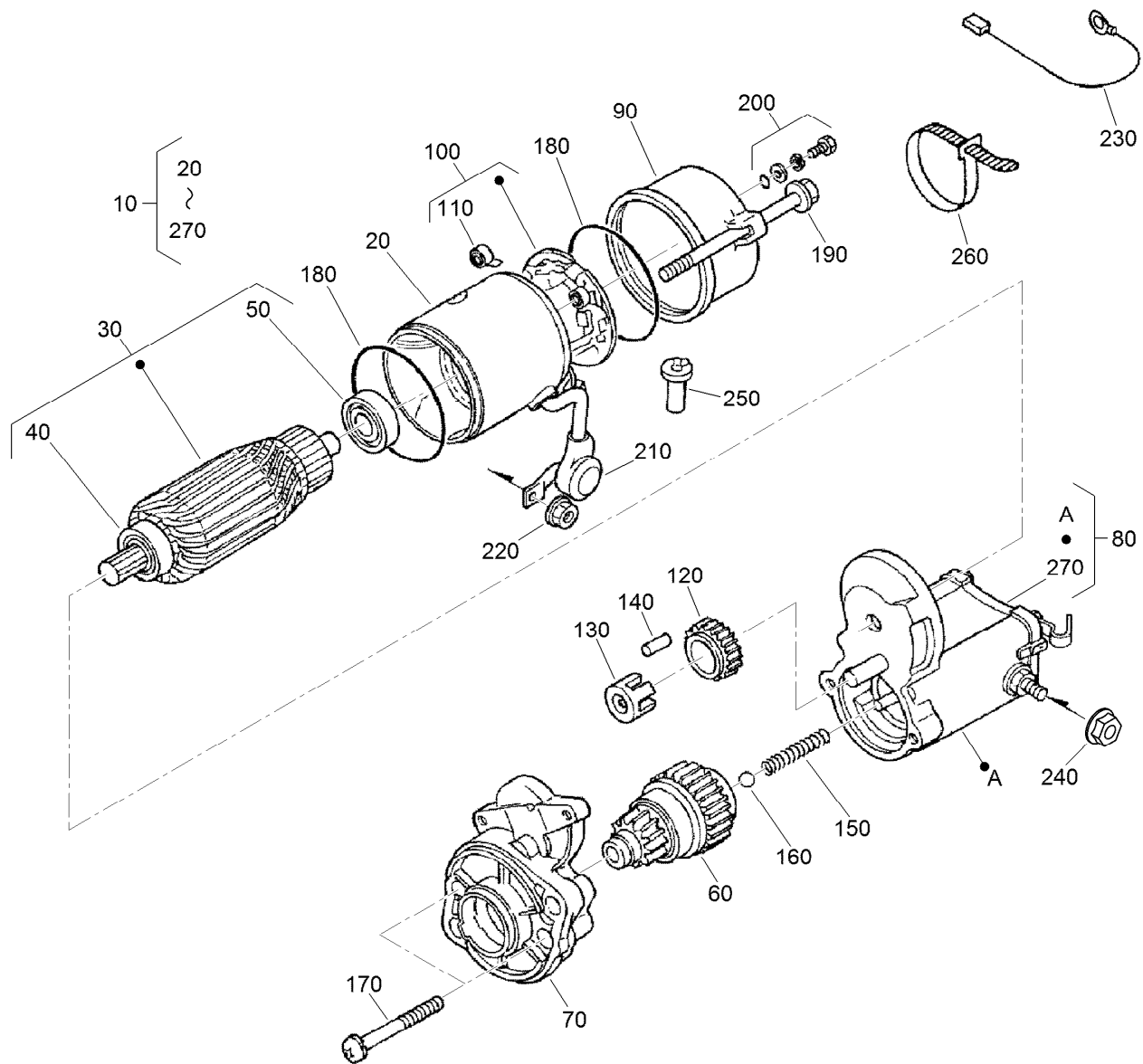
## Alternator Components Assembly

<i>Ref.</i>	<i>Part Number</i>	<i>Qty.</i>	<i>Description</i>	<i>Ref.</i>	<i>Part Number</i>	<i>Qty.</i>	<i>Description</i>
10	121-3811	1	Alternator ASM	150	121-3813	1	Cover-End
20	98-9453	1	Pulley-Dynamo	160	121-3805	1	Rectifier ASM
30	98-7708	1	Nut	170	117-0321	1	Insulation-Brush
40	98-7709	1	Collar	180	107-0141	1	Brush Holder ASM
50	107-0136	1	Rotor ASM	190	98-7724	2	Brush
60	98-7711	1	Cover-Bearing	200	98-7725	2	Spring-Brush
70	107-0138	1	Bearing-Ball	210	98-7726	2	Screw-Head, Round
80	98-7713	1	Washer-Thrust	220	98-7727	6	Screw-Head, Round
90	107-0139	1	Drive End Frame ASM	230	98-7728	1	Screw-Head, Round
100	98-7715	1	Plate-Retainer	240	98-7729	3	Bolt
110	98-7716	4	Screw-Head, Round	250	98-7730	2	Nut
120	98-7717	2	Bolt-Through	260	98-7731	2	Bolt
130	133-2811	1	Bearing	270	98-7732	1	Nut
140	121-3812	1	Frame-End	280	121-3809	1	Regulator ASM



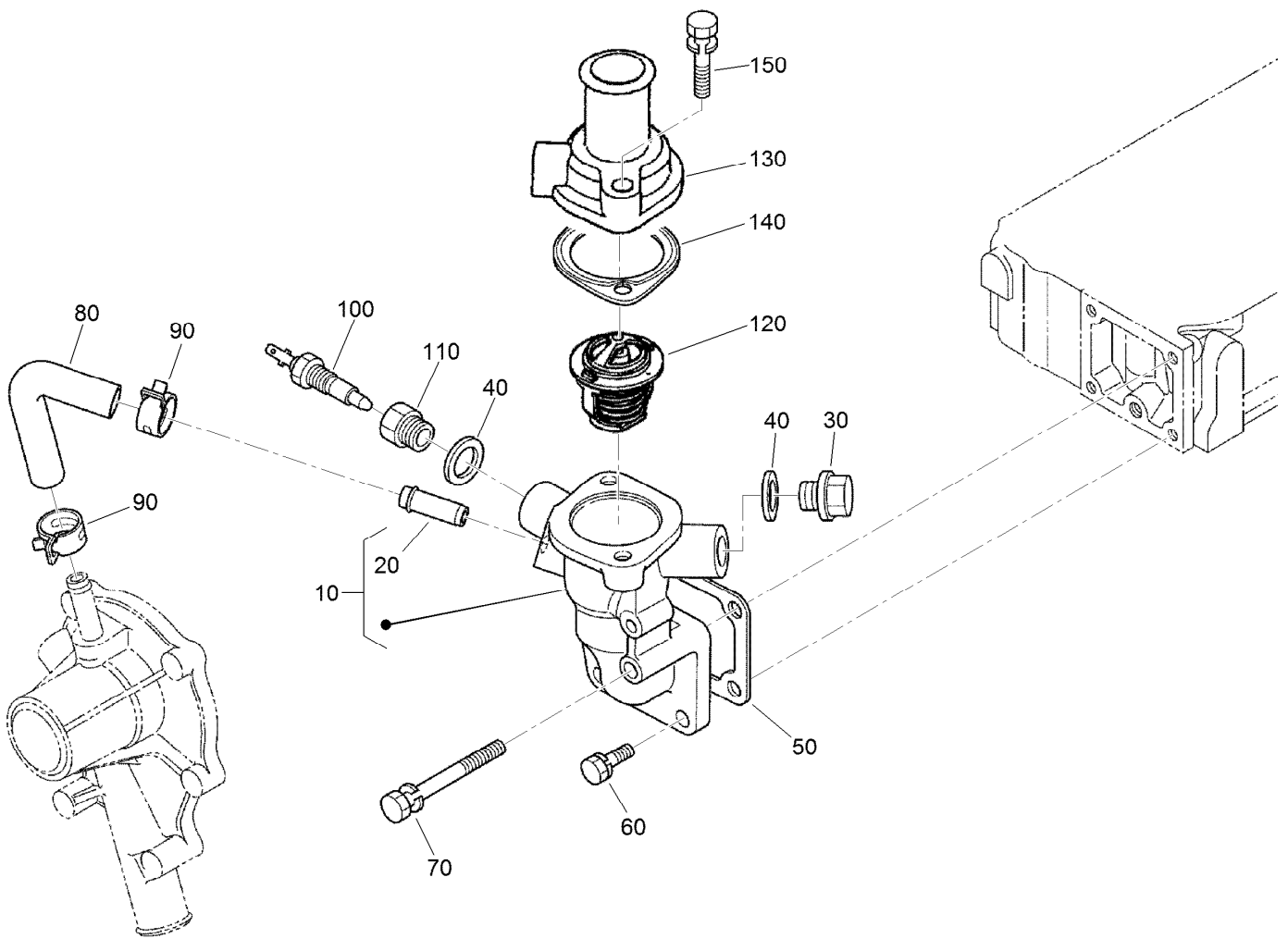
## Starter Assembly

<i>Ref.</i>	<i>Part Number</i>	<i>Qty.</i>	<i>Description</i>
10	98-9705	1	Starter ASM
20	98-7697	2	Bolt
30	98-7739	1	Nut
40	105-2893	1	Washer-Spring



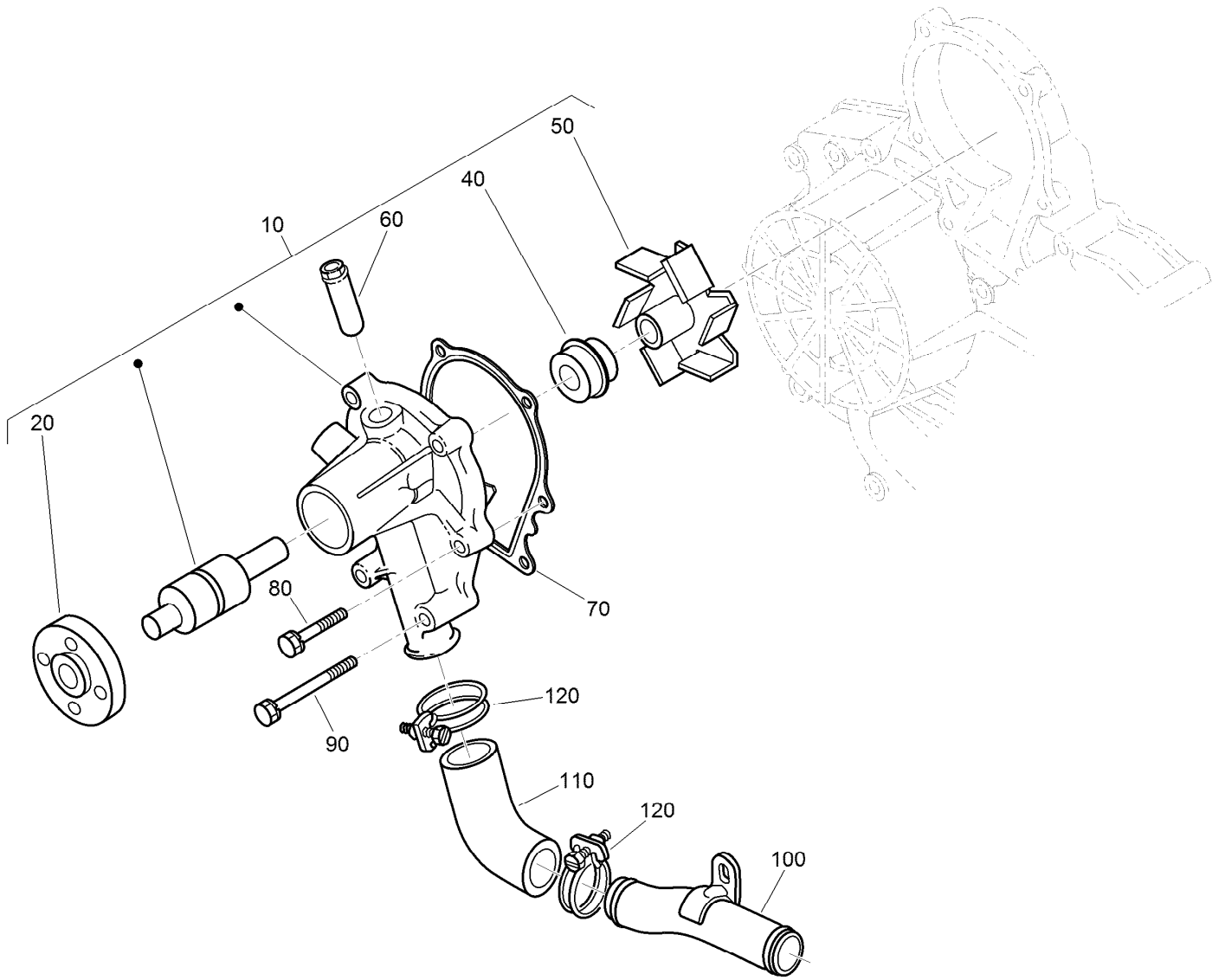
## Starter Component Assembly

Ref.	Part Number	Qty.	Description	Ref.	Part Number	Qty.	Description
10	98-9705	1	Starter ASM	150	98-7754	1	Spring
20	104-8608	1	Yoke ASM	160	98-7755	1	Ball
30	98-7742	1	Armature ASM	170	98-7756	2	Bolt
40	98-7744	1	Bearing	180	98-7757	2	O-Ring
50	98-7743	1	Bearing	190	100-9240	2	Bolt
60	99-8373	1	Clutch-Running, Over	200	98-7758	2	Bolt ASM
70	99-8374	1	Frame-End, Drive	210	99-8375	1	Cover
80	105-3746	1	Magnetic Switch ASM	220	99-8371	1	Nut-Hex
90	98-7748	1	Frame-End	230	98-9711	1	Cord-Solenoid, Stop
100	98-7749	4	Brush Holder ASM	240	99-8376	1	Nut-Hex
110	98-7750	1	Spring-Brush	250	98-7759	1	Pipe-Drain
120	98-7751	1	Gear	260	98-9712	1	Band-Cover
130	98-7752	5	Retainer	270	105-2886	1	Cover ASM
140	98-7753	5	Roller				



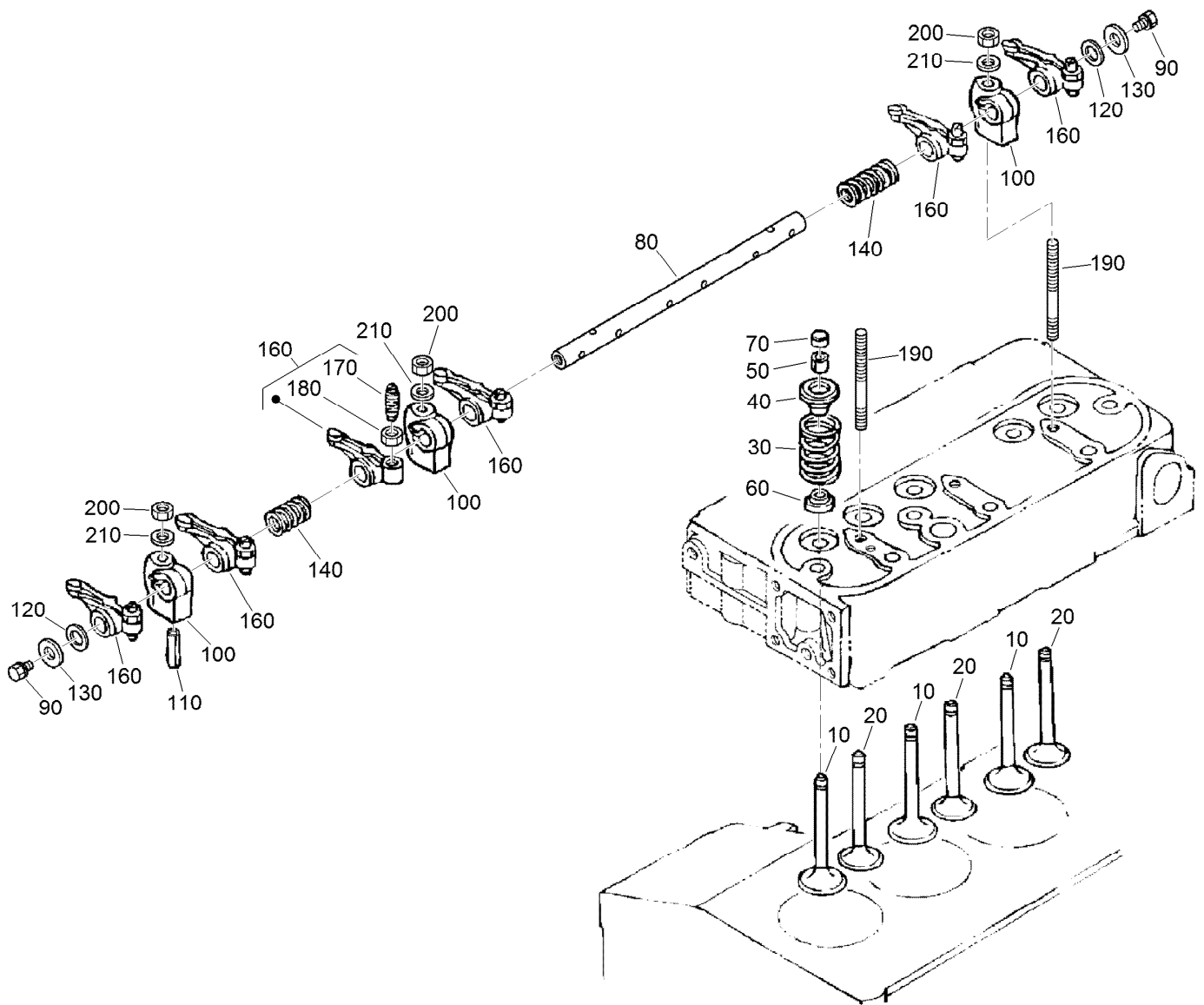
## Water Flange and Thermostat Assembly

<i>Ref.</i>	<i>Part Number</i>	<i>Qty.</i>	<i>Description</i>
10	98-9713	1	Water Flange ASM
20	98-9580	1	Pipe-Return, Water
30	105-3747	1	Plug
40	99-3583	2	Gasket
50	98-9638	1	Gasket-Flange, Water
60	98-7692	3	Bolt
70	98-9356	1	Bolt
80	98-9578	1	Pipe-Return, Water
90	125-9078	2	Clamp-Hose
100	100-1983	1	Thermo-Switch
110	99-3581	1	Adapter
120	98-7778	1	Thermostat ASM
130	98-9471	1	Cover-Thermostat
140	105-3748	1	Gasket-Thermostat
150	98-7777	2	Bolt



## Water Pump and Water Pipe Assembly

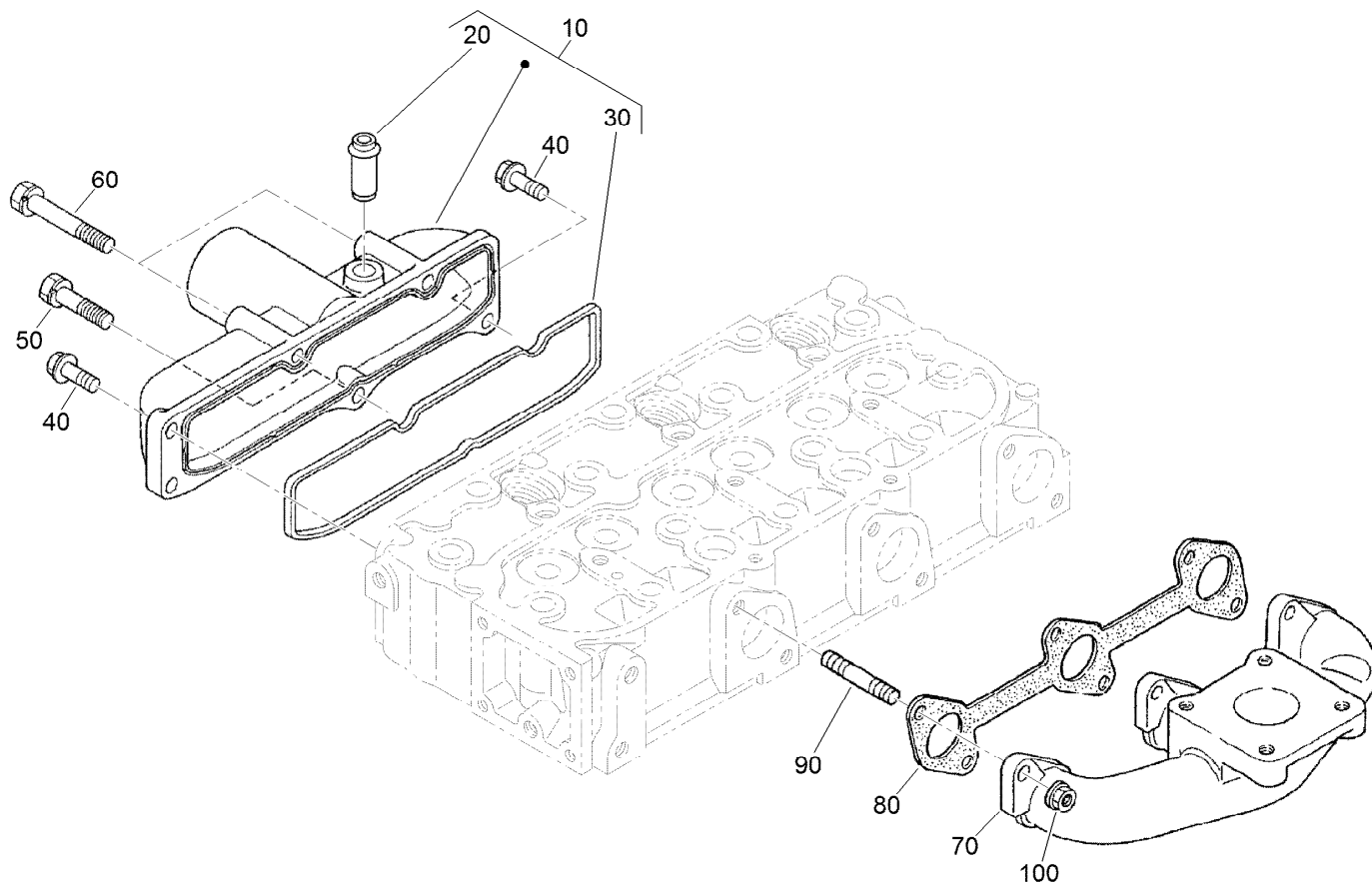
<i>Ref.</i>	<i>Part Number</i>	<i>Qty.</i>	<i>Description</i>
10	107-9089	1	Water Pump ASM
20	99-3516	1	Flange-Pump, Water
40	105-3750	1	Mechanical Seal ASM
50	112-7017	1	Impeller-Pump, Water
60	100-1932	1	Pipe-Return, Water
70	99-3454	1	Gasket-Pump, Water
80	98-9353	4	Bolt
90	107-9090	2	Bolt
100	98-9716	1	Pipe-Water
110	107-9091	1	Pipe-Water
120	127-0439	2	Clamp-Hose



## Valve and Rocker Arm Assembly

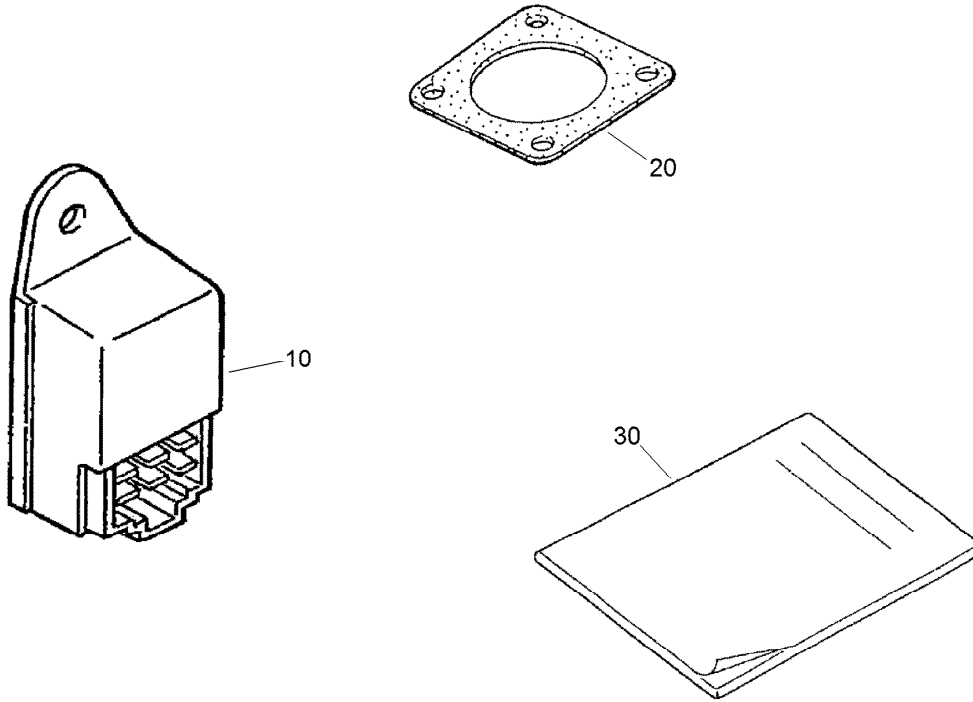
Ref.	Part Number	Qty.	Description	Ref.	Part Number	Qty.	Description
10	112-7018	3	Valve-Inlet	110	105-3758	1	Pin-Spring
20	120-2564	3	Valve-Exhaust	120	98-9507	2	Washer-Shaft, Rocker Arm
30	98-9648	6	Spring-Valve	130	110-3832	2	Washer-Plain
40	107-9092	6	Retainer-Spring	140	98-9504	2	Spring-Arm, Rocker
50	117-7572	6	Collet-Spring, Valve	160	112-7020	6	Rocker Arm ASM
60	99-8385	6	Seal-Stem, Valve	170	98-9502	6	Screw-Adjusting
70	98-9497	6	Cap-Valve	180	98-9503	6	Nut
80	130-1248	1	Shaft-Arm, Rocker	190	98-9506	3	Stud
90	100-1762	2	Bolt	200	98-9393	3	Nut
100	98-9505	3	Bracket-Arm, Rocker	210	98-9385	3	Washer-Flat





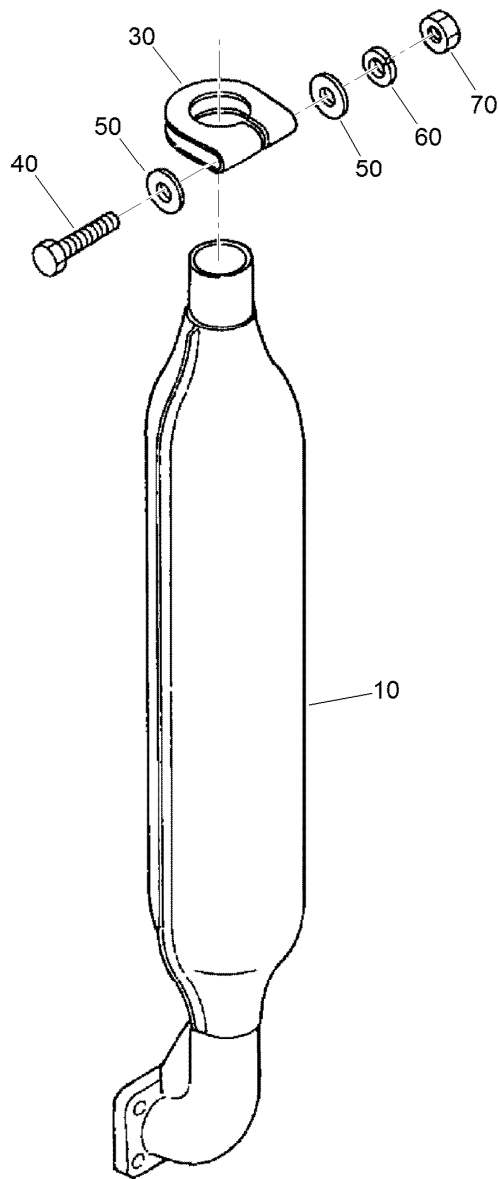
## Inlet and Exhaust Manifold Assembly

<i>Ref.</i>	<i>Part Number</i>	<i>Qty.</i>	<i>Description</i>
10	108-6577	1	Inlet Manifold ASM
20	98-9492	1	Joint-Pipe, Breather
30	98-9609	1	Gasket-Manifold, Inlet
40	98-7605	3	Bolt
40	127-0403	3	Bolt-Flange
50	98-9353	1	Bolt
60	125-9063	2	Bolt-Sems
70	107-9093	1	Manifold-Exhaust
80	99-8327	1	Gasket-Manifold, Exhaust
90	98-9588	6	Stud
100	98-9665	6	Nut



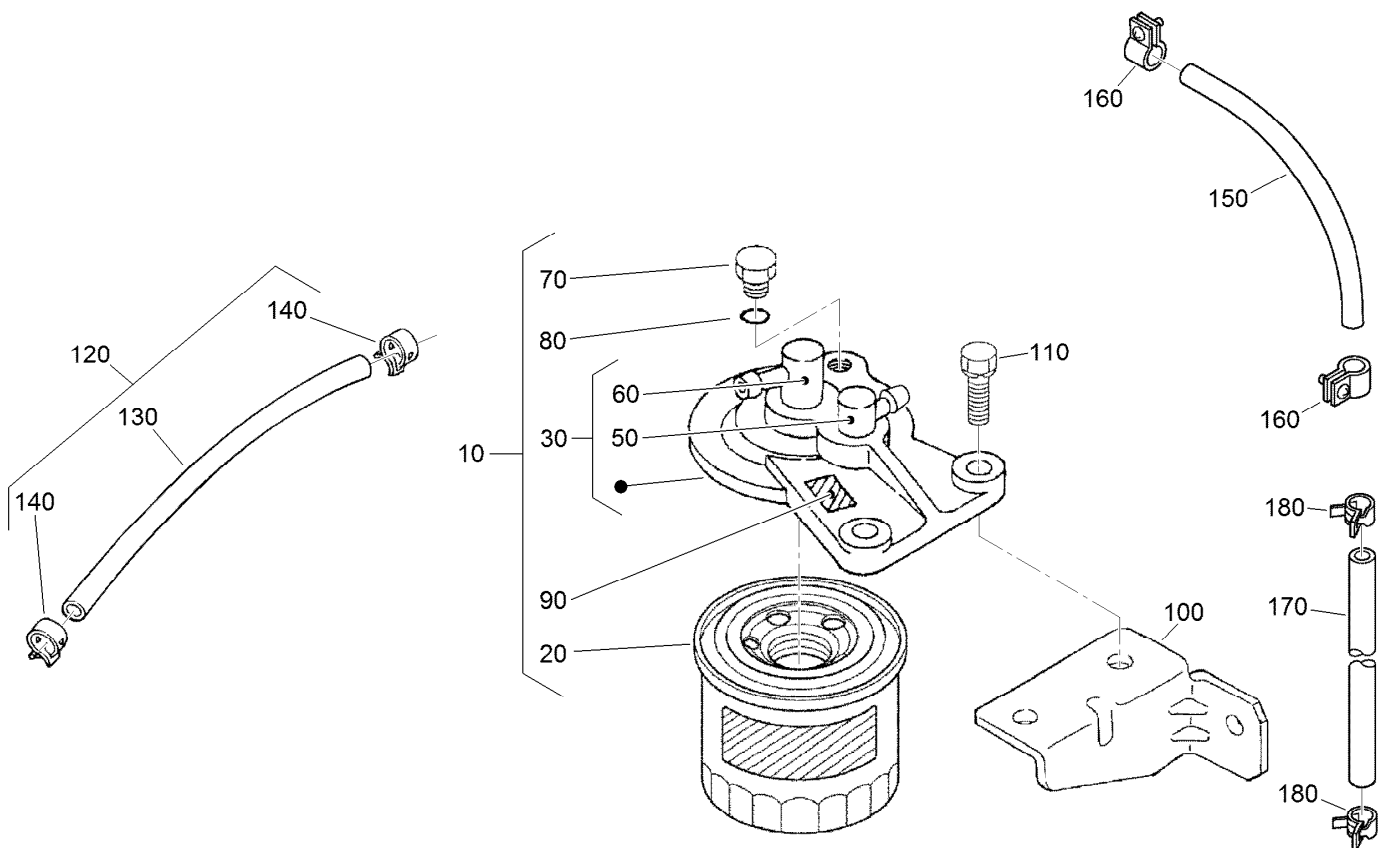
## Miscellaneous Engine Parts

<i>Ref.</i>	<i>Part Number</i>	<i>Qty.</i>	<i>Description</i>
10	130-1211	1	Timer-Lamp, Glow
20	130-4596	1	Gasket-Muffler
30	115-4104	1	Operator Manual



## Muffler Assembly

<i>Ref.</i>	<i>Part Number</i>	<i>Qty.</i>	<i>Description</i>
10	130-1197	1	Muffler
30	130-1184	1	Clamp-Pipe, Muffler
40	130-1151	1	Bolt
50	98-7660	2	Washer-Plain
60	105-2893	1	Washer-Spring
70	98-7739	1	Nut



## Fuel Filter Assembly

<i>Ref.</i>	<i>Part Number</i>	<i>Qty.</i>	<i>Description</i>	<i>Ref.</i>	<i>Part Number</i>	<i>Qty.</i>	<i>Description</i>
10	130-1188	1	Fuel Filter ASM	110	98-7610	2	Bolt
20	130-1187	1	Element-Filter	120	130-1270	1	Fuel Pipe ASM
30	130-1189	1	Filter Cover ASM	130	130-1172	1	Tube-Fuel
50	130-1180	1	Joint-Pipe	140	100-2217	1	Clip-Pipe
60	130-1181	1	Joint-Pipe	150	130-1222	1	Pipe-Fuel
70	130-1329	1	Plug-Filter Breather	160	98-7616	4	Clip-Pipe
80	130-1179	1	O Ring	170	130-1330	1	Pipe-Over Flow, Fuel
90	130-1190	1	Mark-Form	180	98-7672	6	Clip-Pipe
100	130-1271	1	Holder-Fuel Filter				

# Attachments and Accessories

## For 30654 CT2240 Compact Triple 4-Wheel Drive Turf Mower

<b>Product Name</b>	<b>Model/Part</b>
Mk.3 200mm 4-Blade LH-Helix Cutter Unit .....	02805
Mk.3 200mm 6-Blade LH-Helix Cutter Unit .....	02806
Mk.3 200mm 8-Blade LH-Helix Cutter Unit .....	02807
Mk.3 200mm 10-Blade LH-Helix Cutter Unit .....	02808
Floating Cutting Unit Kit, 3-Plex Mower.....	02820
Smooth Roller 200mm (8in) Cutting Unit.....	02822
Grooved Roller 200mm (8in) Cutting Unit .....	02823
12 Volt Accessory Port Kit.....	02902
LSD Lock Kit .....	02904
Deluxe Seat Kit.....	02909
Kevlar Tyres Kit.....	02912
Road Light Kit (with Brake Lights).....	02916
Flashing Beacon Kit.....	02920
Blower Carrier Kit.....	02921
TÜV Kit - Speed Decal 20kph .....	02980
Tüv Kit - Deck Cover 3-Gang .....	02982
TÜV Kit - German Vehicle Serial Plate.....	02983
Roller-Smooth Mk3 (Sealed for Life).....	111-1848
Warning Triangle .....	111-4250
Fuse-In Line.....	111-5101
Slope Indicator Kit.....	111-9225
Rear View Mirrors Kit.....	111-9895
Fuel Tank Kit.....	134-2025
Storage Lock Kit .....	134-2167

**Notes:**

**Notes:**



**Count on it.**