



Count on it.

Parts Catalog

**Groundsmaster® 3400 4-Wheel
Drive**

Traction Unit

Model No. 30651—Serial No. 402330001 and Up



Ordering Replacement Parts

To order replacement parts, please supply the part number, the quantity, and the description of each part desired.

Understanding Reference Numbers

Each identified part in an illustration has a reference number. The reference number for a part also appears in the parts list, along with other information about the part.

This catalog uses two special reference number formats, one to indicate parts in a service assembly and another to indicate the quantity of a given part in an illustration.

Service Assembly Reference Numbers

Parts in service assemblies have reference numbers in the form a:b. The a represents the reference number of the entire service assembly and the b represents a sequential number unique to each part within the service assembly.

For example, a wheel assembly might be identified by reference number 6, the tire by 6:1, the valve by 6:2, and the wheel by 6:3. When you order the assembly identified by reference number 6, you receive all parts identified by reference numbers 6:1, 6:2, and 6:3. However, you may also order any part individually. Reference numbers of this type appear in illustration and in parts lists.

Reference Numbers Indicating Quantity

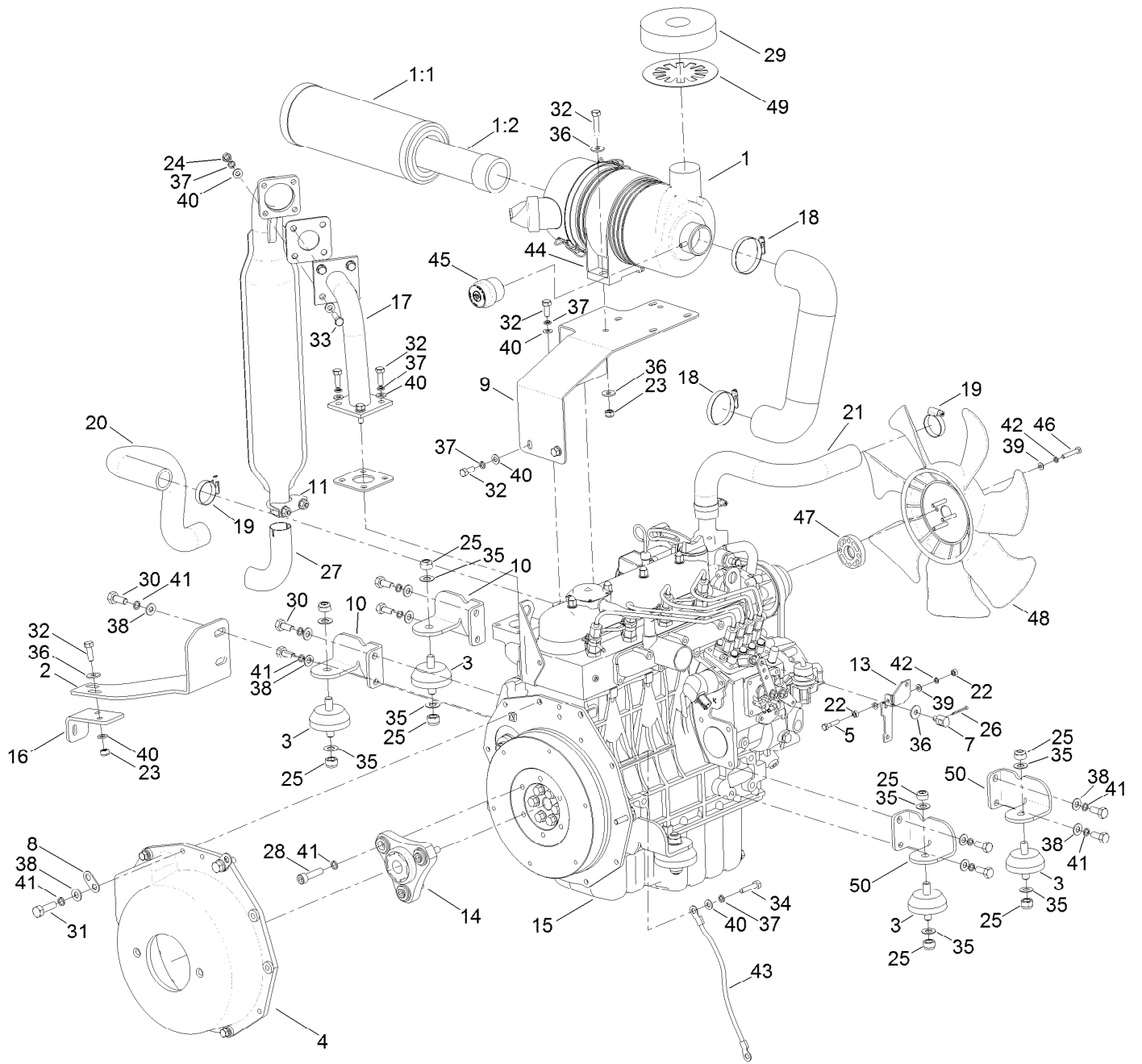
In an illustration, if a reference number indicates more than one part, the reference number has the form nX y. The n represents the quantity of the part, the X is the multiplication symbol, and the y represents the reference number.

For example, in an illustration, the reference number 2X 37 means that two of the parts identified by reference number 37 are indicated.

Contents

Engine Mounting Assembly	4
Radiator and Shroud Assembly	6
Rear Axle Assembly	8
Steering Column, Seat and Platform Assembly	10
Steering Column Assembly No. 111-6756	12
Pedal Control Assembly	14
Fuel Tank and Storage Pod Assembly	16
Hood Assembly	18
Roll-Over Protection System Assembly	20
Hydraulic Oil Tank Assembly	22
Rear Transmission Block Assembly	24
Loom Kit	26
Electrical Assembly	28
Main Frame, Chassis, Front Wheel and Battery Assembly	30
Transmission Hydraulic Circuit Assembly	32
Hose Assembly No. 2	34
Cutter Hydraulic Circuit Assembly	36
Lift Manifold Assembly	38
Transmission Manifold Assembly	40
Cutter Manifold Assembly	42
Hydraulic PTO Manifold Assembly No. 115-8467	44
Transmission and Tandem Pump Assembly	46
Hydraulic Pump Assembly No. 111-6774	48
Control Panel Assembly	50
Filter Assembly	52
Crankcase Assembly	54
Oil Pan and Oil Pump Assembly	55
Cylinder Head Assembly	56
Gear Case and Oil Filter Cartridge Assembly	57
Cylinder Head Cover Assembly	58
Dipstick and Guide Assembly	59
Main Bearing Case Assembly	60
Camshaft and Idle Gear Shaft Assembly	61
Piston and Crankshaft Assembly	62
Flywheel Assembly	63
Fuel Camshaft and Governor Shaft Assembly	64
Idle Apparatus and Stop Solenoid Assembly	65
Injection Pump and Fuel Pump Assembly	66
Speed Control Plate Assembly	67
Nozzle Holder and Glow Plug Assembly	68
Nozzle Holder Assembly	69
Governor Assembly	70
Fuel Filter Assembly	71
Alternator and Pulley Assembly	72
Alternator Components Assembly	73
Starter Assembly	74
Starter (Component Part) Assembly	75
Water Flange and Thermostat Assembly	76
Water Pump Assembly	77
Valve and Rocker Arm Assembly	78
Intake and Exhaust Manifold Assembly	79
Miscellaneous Engine Parts	80
Attachments and Accessories	81

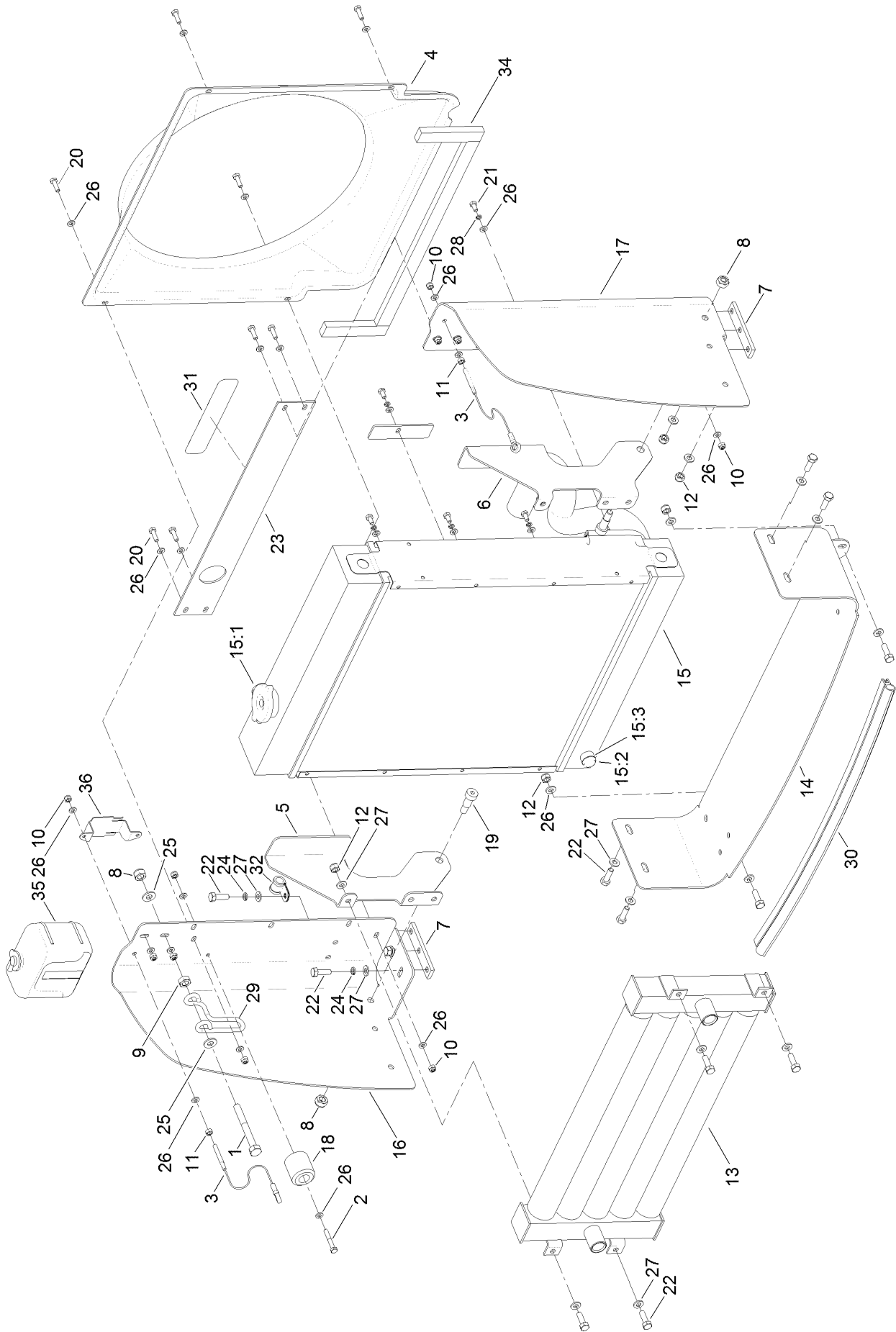
Engine Mounting Assembly



Engine Mounting Assembly (continued)

<i>Ref.</i>	<i>Part Number</i>	<i>Qty.</i>	<i>Description</i>	<i>Ref.</i>	<i>Part Number</i>	<i>Qty.</i>	<i>Description</i>
1	111-3805	1	Air Filter ASM	26	70-11-005	1	Pin-Split
1:1	111-3808	1	Filter-Element, Main	27	940213	1	Tail Pipe-Exhaust
1:2	111-3809	1	Filter-Element, Safety	28	111-3806	3	Screw-HSH
2	111-9824-03	1	Bracket-Exhaust, Lower	29	111-3555	1	Seal-Air Intake
3	910816	4	Isomount-Engine	30	50-11-005	10	Screw-HH
4	922851	1	Housing-Bell	31	111-0597	2	Screw-HH
5	09547	1	Screw-HH	32	03162	12	Screw-HH
7	111-3298	1	Pivot-Throttle, Boss	33	09369	4	Screw-HH
8	74-01-327	2	Bracket-Loom, Tie	34	ZDH1H035U	8	Screw-HH
9	111-2588-03	1	Bracket-Air Cleaner	35	09283	8	Washer
10	111-3043-03	2	Bracket-Mount, Engine	36	09267	7	Washer
11	111-9717	1	Clamp-Exhaust	37	03469	19	Washer-Spring
13	111-3299-03	1	Bracket-Throttle	38	ZWQ1J000U	12	Washer-Plain
14	111-2556	1	Coupling	39	ZWP1F000U	6	Washer-Plain
15	111-1290	1	Engine-Kubota	40	ZWP1H000U	26	Washer-Plain
16	111-9825-03	1	Bracket-Exhaust, Lower	41	09480	15	Washer-Lock
17	111-4012	1	Flange-Exhaust	42	09474	5	Washer-Spring
18	910936	2	Clip-Jubilee	43	70-09-023	1	Cable-Earth
19	924438	4	Clamp-Hose	44	111-3807	1	Bracket-Mounting, Air Filter
20	111-2567	1	Hose-Radiator, Bottom	45	953870	1	Indicator-Filter Blockage
21	910921	1	Hose-Top	46	09645	4	Setscrew-HH
22	09437	2	Nut	47	104-4247	1	Spacer-Fan
23	09441	4	Nut-Hex, NI	48	110-0966	1	Fan-Cooling
24	ZNH1H000U	4	Nut-Hex	49	111-6937-03	1	Washer-Pad, Intake Air
25	09231	8	Nut-Hex	50	111-7141-03	2	Bracket-Mount, Engine

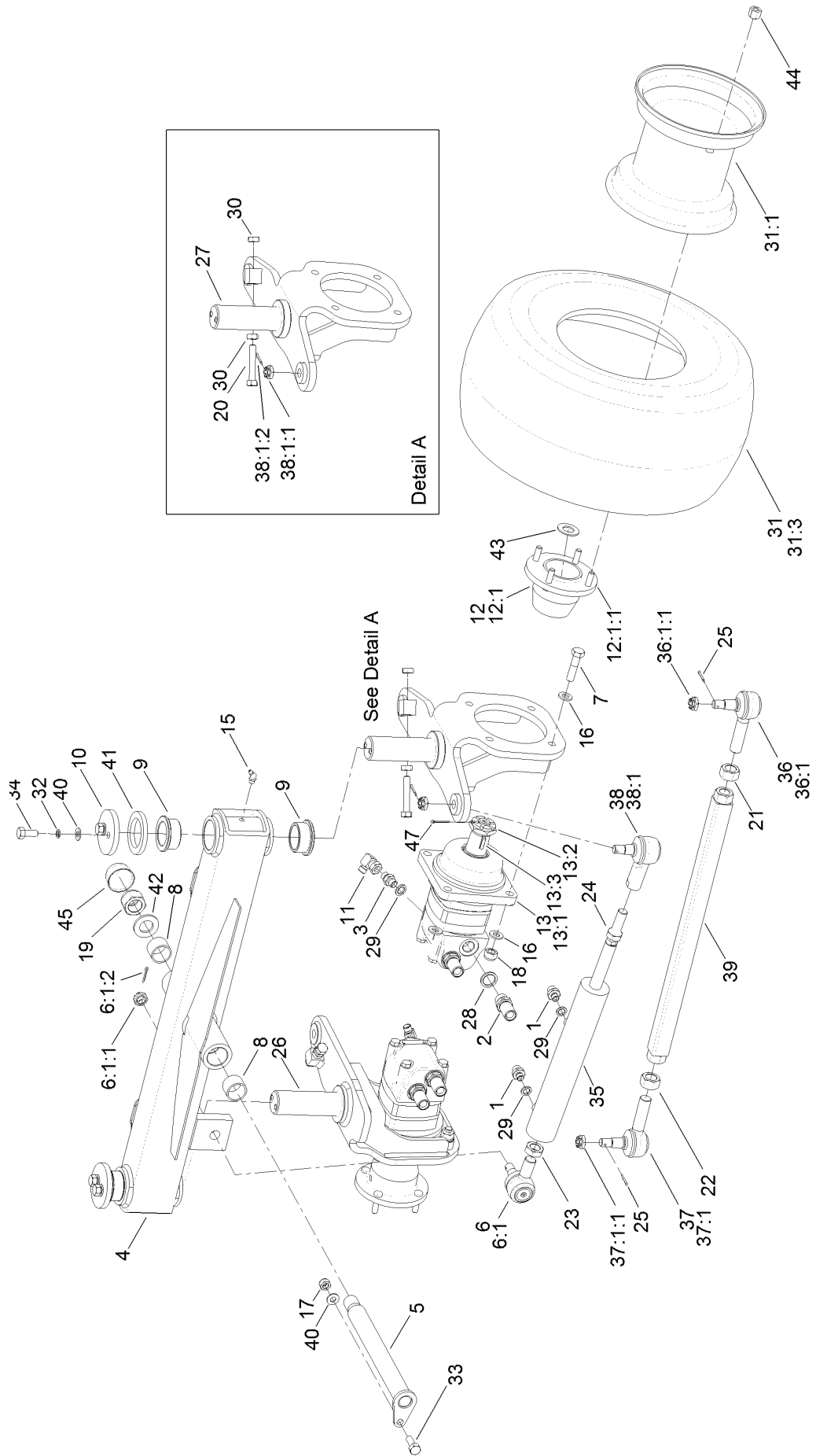
Radiator and Shroud Assembly



Radiator and Shroud Assembly (continued)

<i>Ref.</i>	<i>Part Number</i>	<i>Qty.</i>	<i>Description</i>	<i>Ref.</i>	<i>Part Number</i>	<i>Qty.</i>	<i>Description</i>
1	ZBH1J090U	1	Screw-HH	17	111-3007-03	1	Bracket-Radiator, RH
2	ZBH1F040U	2	Screw-HH	18	61-07-003	2	Buffer-Rubber
3	924825	2	Cable-Stay, Cover	19	ZIS1J020S	2	Bolt-Shoulder, Socket Head
4	111-3301	1	Cowl-Fan	20	09363	8	Screw-HH
5	111-3010-03	1	Hinge-Oil Cooler, LH	21	09361	6	Screw-HH
6	111-3011-03	1	Hinge-Oil Cooler, RH	22	03162	16	Screw-HH
7	111-3281	2	Bar-Nut	23	111-3008-03	1	Seal-Top
8	ZNN1J000U	3	Nut-Hex, NI	24	03469	6	Washer-Spring
9	09449	1	Nut	25	ZWQ1J000U	2	Washer-Plain
10	09438	12	Nut-Nyloc	26	09472	30	Washer-Plain
11	09437	2	Nut	27	ZWP1H000U	24	Washer-Plain
12	09441	10	Nut-Hex, NI	28	09474	6	Washer-Spring
13	70-06-171	1	Cooler-Oil	29	104-5429	1	Clamp-Form, Wire
14	111-3009-03	1	Plate-Seal, Lower	30	994808	3	Excluder-Draught
15	111-5193	1	Radiator ASM	31	111-3902	1	Decal-Engine, Fan/Radiator
15:1	111-0698	1	Cap-Radiator	32	111-6082	1	Clamp-Cable
15:2	30-06-200	1	Plug-HYD	34	111-7053	1	Seal-Bubble, Side
15:3	200134	1	Washer	35	111-7452	1	Tank-Reserve, Coolant
16	111-3006-03	1	Bracket-Radiator, LH	36	108-9930-03	1	Bracket-Bottle

Rear Axle Assembly



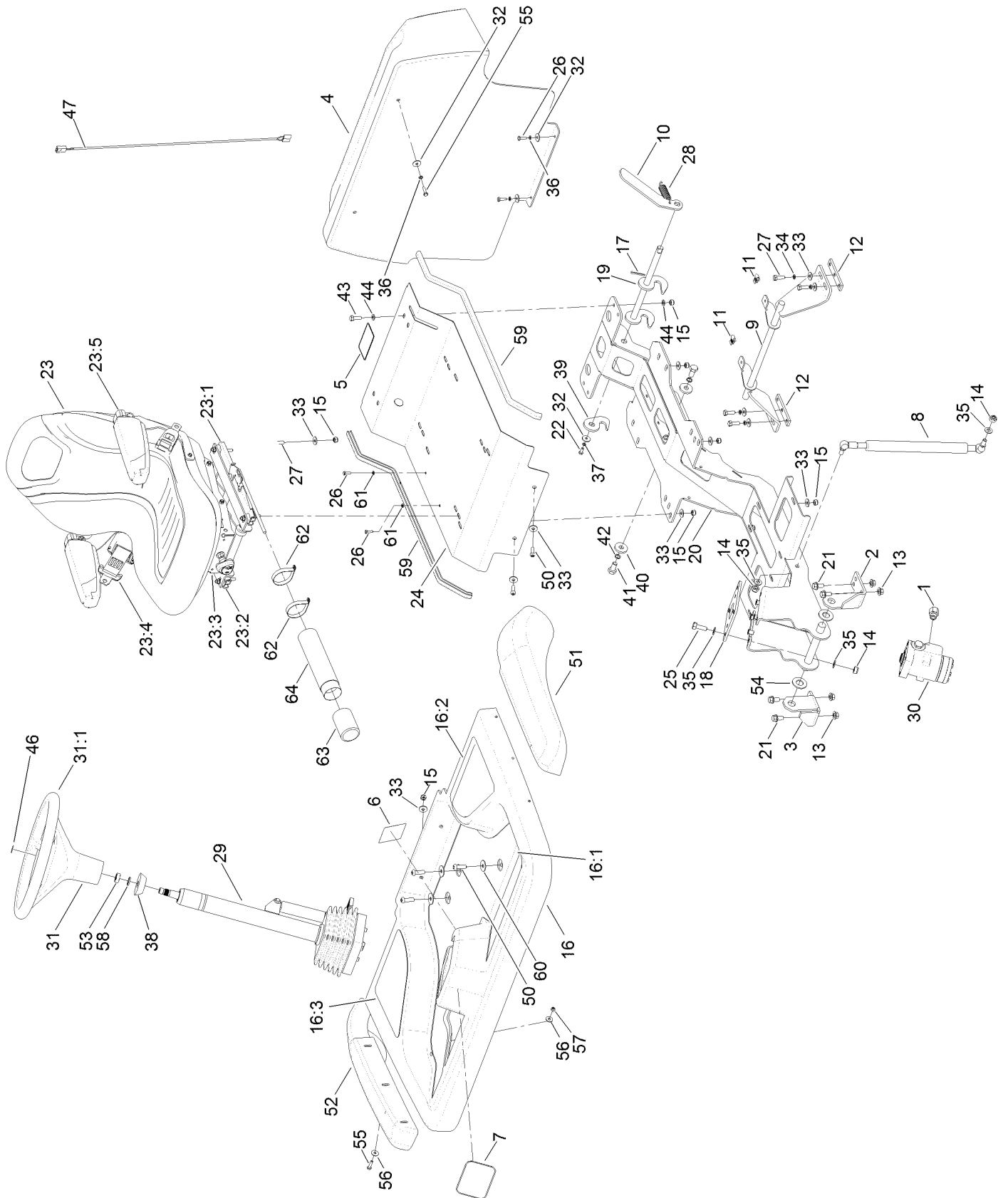
Rear Axle Assembly (continued)

<i>Ref.</i>	<i>Part Number</i>	<i>Qty.</i>	<i>Description</i>	<i>Ref.</i>	<i>Part Number</i>	<i>Qty.</i>	<i>Description</i>
1	50-06-009	2	Adaptor-BSP	28	10-06-032	4	Seal-Dowty
2	09-06-216	4	Adaptor-Bulkhead	29	10-06-030	4	Seal-Dowty
3	10-06-085	2	Adaptor	30	09449	4	Nut
4	111-4995-03	1	Axle-Rear	31	111-6876	2	Wheel ASM
5	111-3265	1	Pin-Axle	31:1	111-6877	1	Rim-Wheel
6	111-6578-03	1	Joint-Ball	31:2	72-07-068	1	Tube-Inner ●
6:1		1	Ball Joint ●■	31:3	924803	1	Tire
6:1:1	111-5116	1	Nut-Castle	32	09480	4	Washer-Lock
6:1:2	09306	1	Pin-Split	33	09392	1	Screw-HH
7	09552	8	Screw-HH	34	09395	4	Screw-HH
8	70-05-031	2	Bushing	35	111-9940	1	Steering Cylinder ASM
9	111-3681	4	Bushing-Flanged, Oilite	35:99	111-9939	1	Seal Kit ●
10	70-01-197	2	Cap-Washer	36	71-4740-03	1	RH Tie Rod End ASM
11	31-06-004	2	Elbow-Compact	36:1		1	End-Rod, Tie (RH) ●■
12	111-5176-03	2	Wheel Hub ASM	36:1:1	105-7941	1	Nut-Hex, Slotted ●
12:1		1	Hub-Wheel ■	36:1:2	105-7835	1	Seal ●
12:1:1	65-07-019	4	Stud-Wheel ●	36:1:3	302-5	1	Fitting-Grease
13	111-9745	2	HYD Motor ASM	37	2411-46-03	1	LH Tie Rod ASM
13:1	111-9864	1	Seal Kit	37:1		1	End-Rod, Tie (LH) ●■
13:2	70-06-081	1	Castle-Nut	37:1:1	302-5	1	Fitting-Grease ●
13:3	70-06-089	1	Key	37:1:2	105-7835	1	Seal ●
15	63-07-027	3	Zerk-Grease, BSP (90 DEG)	37:1:3	105-7941	1	Nut-Hex, Slotted ●
16	HY09485	16	Washer-Plain	38	111-5087-03	1	Joint-Ball
17	ZNN1J000U	1	Nut-Hex, NI	38:1		1	Joint-Ball ●■
18	09650	8	Nut-Hex, Nyloc	38:1:1	111-5116	1	Nut-Castle ●
19	ZNN1X000U	1	Nut-Hex, Nyloc	38:1:2	09306	1	Pin-Split ●
20	ZDH1J060U	2	Setscrew-HH	39	111-7924-03	1	Rod-Tie
21	84-5300	1	Nut-Jam	40	ZWQ1J000U	5	Washer-Plain
22	110-5337	1	Nut-Jam	41	70-07-149	2	Washer-Felt
23	09828	1	Nut	42	09555	1	Washer
24	09827	1	Nut	43	ZWP1T000U	2	Washer-Plain
25	70-11-005	2	Pin-Split	44	65-07-009	8	Nut-Wheel, Dome
26	111-4982-03	1	RH Rear Yoke ASM	45	10-11-100	1	Cap-Nut
27	111-4983-03	1	LH Rear Yoke ASM	47	70-11-004	2	Pin-Split

● Not illustrated

■ Not serviced separately

Steering Column, Seat and Platform Assembly

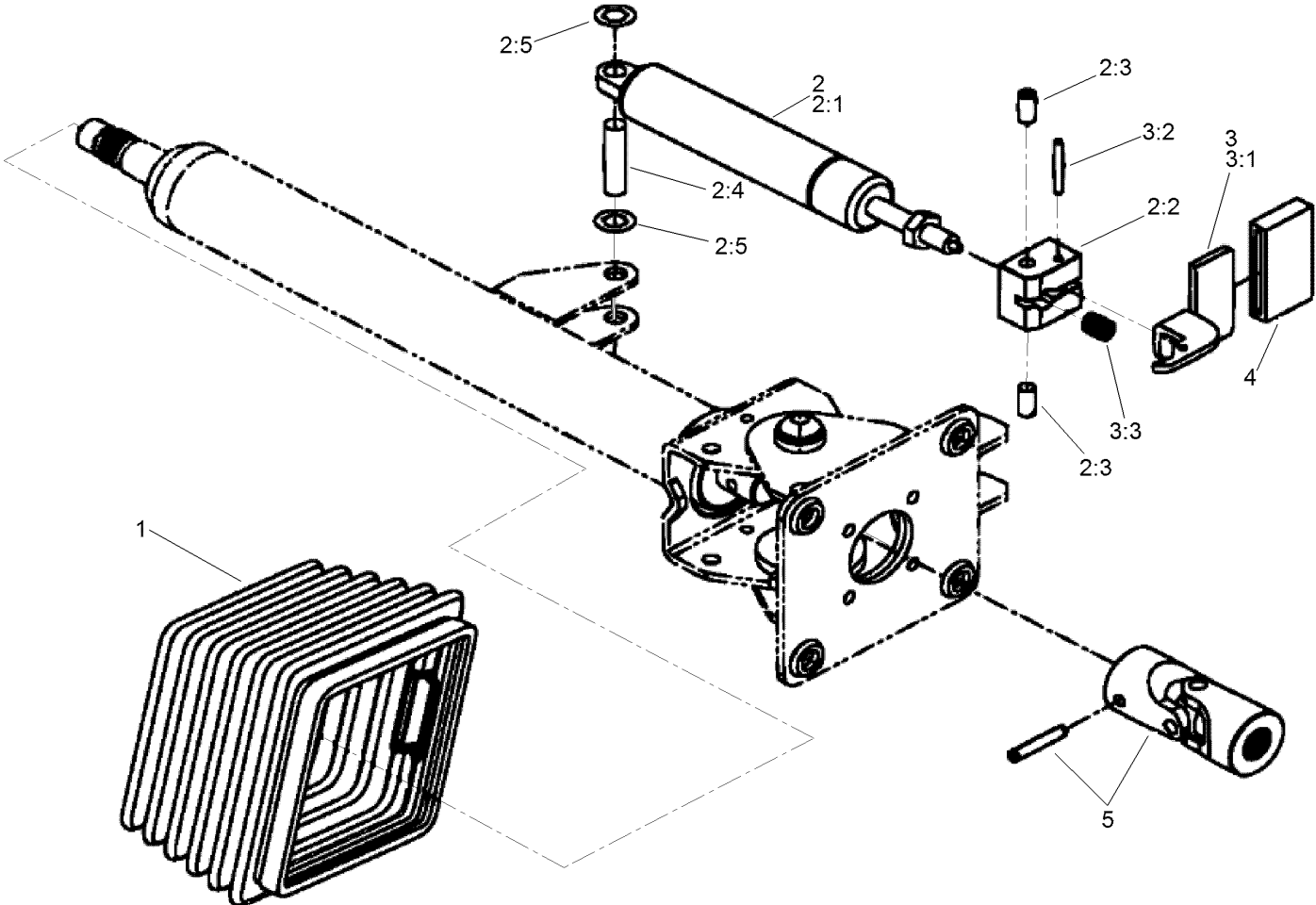


Steering Column, Seat and Platform Assembly (continued)

<i>Ref.</i>	<i>Part Number</i>	<i>Qty.</i>	<i>Description</i>	<i>Ref.</i>	<i>Part Number</i>	<i>Qty.</i>	<i>Description</i>
1	111-3509	5	Adaptor	29	111-6756	1	Steering Column ASM
2	111-3243-03	1	Bracket-Platform Pivot, LH	30	111-7464	1	Valve-Control, Steering
3	111-2665-03	1	Bracket-Platform Pivot, RH	30:99	94-4095	1	Centering Spring Kit ●
4	111-3293	1	Bulkhead	30:99	130-8358	1	Seal Kit ●
5	111-3566	1	Decal-Latch, Platform	31	98-1471	1	Wheel-Steering
6	111-3562	1	Decal	31:1	98-1468	1	Cover-Wheel, Steering
7	67-1300	1	Decal	32	09263	5	Washer
8	111-9857	1	Gas Strut	33	09267	20	Washer
9	111-3140-03	1	Bar-Latch	34	03469	4	Washer-Spring
10	111-3269-03	1	Lever-Latch, Platform	35	ZWQ1J000U	10	Washer-Plain
11	410076	2	Nut	36	09264	4	Washer-Spring
12	111-3281	2	Bar-Nut	37	09474	1	Washer-Spring
13	63-11-015	4	Nut-Flanged	38	93-5429	1	Collar-Foam
14	ZNN1J000U	6	Nut-Hex, NI	39	111-3268	1	Latch-Plate, Platform
15	09441	16	Nut-Hex, NI	40	63-01-115	2	Washer
16	111-9744	1	Operator Platform ASM	41	09571	2	Screw-HH
16:1	111-3506	1	Mat-Floor	42	09599	2	Washer-Lock
16:2	111-3507	1	Mat-Side, LH	43	03162	2	Screw-HH
16:3	111-3508	1	Mat-Side, RH	44	ZWP1H000U	4	Washer-Plain
17	70-11-004	1	Pin-Split	46	98-1459	1	Decal
18	111-2899-03	1	Plate-Mount, Pump (Steering)	47	111-6186	1	Cable-Seat, Beacon
19	111-3266	1	Latch-Platform	50	ZHS1H025U	8	Screw-HSBH
20	111-9565-03	1	Support-Platform	51	111-4921	1	Mudguard-LH
21	63-11-018	4	Screw-Durloc	52	111-4922	1	Mudguard-RH
22	09362	1	Screw-HH	53	09827	1	Nut
23	111-3500	1	Seat ASM (W/Seat Belt)	54	09499	2	Washer
23:1	111-3498	1	Adjuster-Rail, Seat	55	09364	8	Screw-HH
23:2	111-3499	1	Rail-Adjuster, Slave	56	09262	12	Washer
23:3	111-3501	1	Suspension-Seat	57	09438	8	Nut-Nyloc
23:4	111-3502	1	Seat Belt ASM	58	HY4200	1	Washer-Spring
23:5	111-3511	1	Arm Rest Kit	59	50-08-001	2	Edging-Rubber
23:6	111-3674	1	Switch-Seat ●	60	09270	6	Washer-Plain
24	111-3069-03	1	Pan-Seat	61	09472	4	Washer-Plain
25	09392	4	Screw-HH	62	107-1865	2	R-Clamp
26	09363	4	Screw-HH	63	104-7048	1	Cap-Housing
27	03162	4	Screw-HH	64	104-7050	1	Tube-Manual
28	70-07-063	1	Spring-Extension	99	994808	1	Excluder-Draught ●

● Not illustrated

Steering Column Assembly No. 111-6756



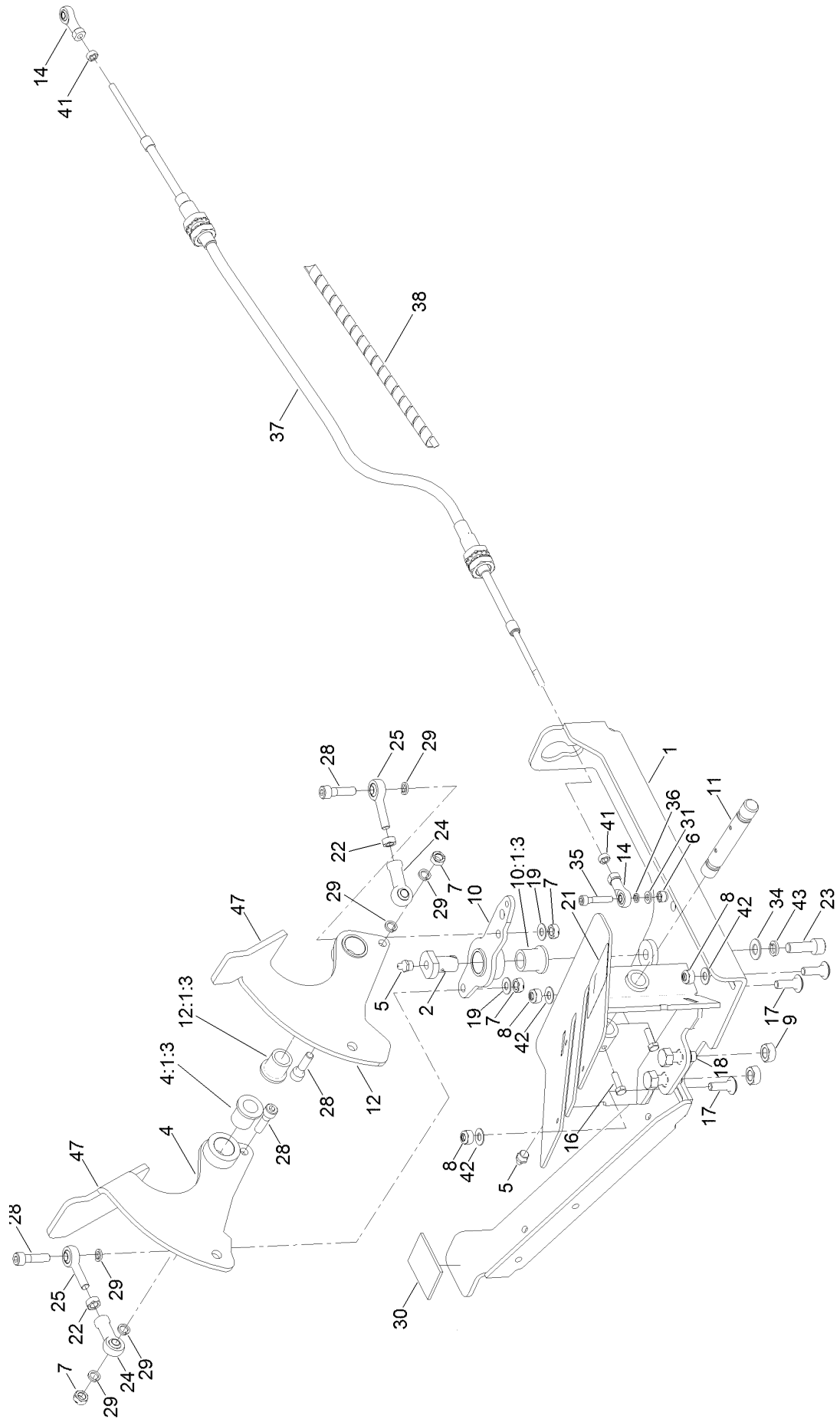
Steering Column Assembly No. 111-6756 (continued)

<i>Ref.</i>	<i>Part Number</i>	<i>Qty.</i>	<i>Description</i>	<i>Ref.</i>	<i>Part Number</i>	<i>Qty.</i>	<i>Description</i>
1	110-6462	1	Bellows-Rubber	3	110-6464	1	Pedal Service Kit
2	110-6463	1	Cylinder Service Kit	3:1		1	Pedal ■
2:1		1	Cylinder-Gas ■	3:2		1	Pin ■
2:2		1	Block-Pedal ■	3:3		1	Spring ■
2:3		2	Bolt ■	4	110-6465	1	Cover-Pedal ●
2:4		1	Pin ■	5	111-7314	1	Universal Joint Kit ●
2:5		2	Washer-Lock ■				

● Not illustrated

■ Not serviced separately

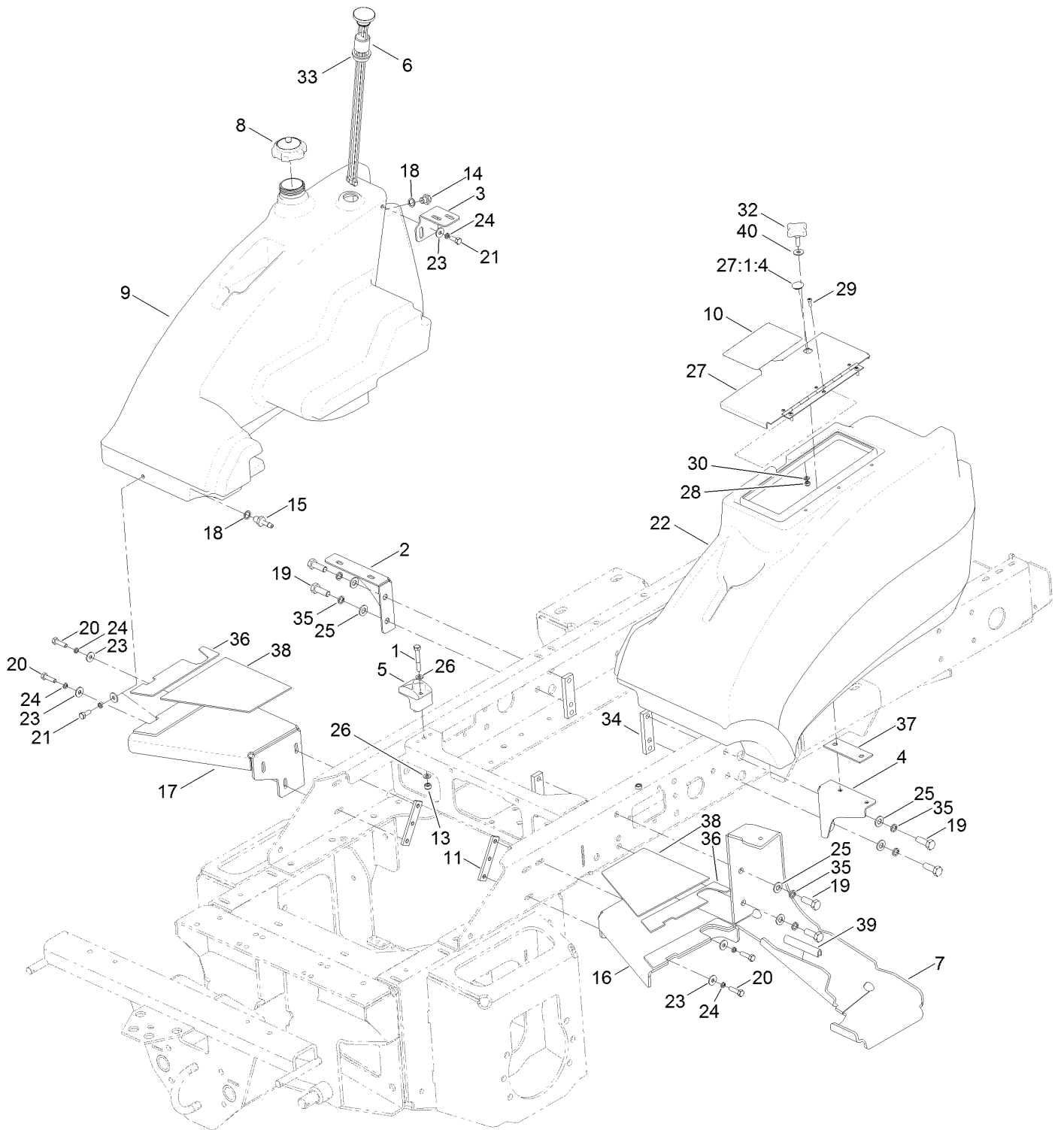
Pedal Control Assembly



Pedal Control Assembly (continued)

<i>Ref.</i>	<i>Part Number</i>	<i>Qty.</i>	<i>Description</i>	<i>Ref.</i>	<i>Part Number</i>	<i>Qty.</i>	<i>Description</i>
1	111-7175-03	1	Pedal-Mounting	21	111-3567	1	Decal-Pedal, Operation
2	111-7122	1	Boss-Pedal, Link	22	ZNH1H000U	2	Nut-Hex
4	111-9243-03	1	Forward Pedal ASM	23	ZCS1J030U	1	Screw-Soc
4:1:3	953868	1	Bushing-Flange, Oilite	24	111-2896	2	Rod-End, Female
5	10-11-017	2	Fitting-Straight	25	111-6147	2	Rod End
6	09544	1	Nut-Nyloc	28	ZCS1H030U	4	Screw-Cap
7	ZNB1H000U	4	Nut	29	111-6948	6	Washer-Spring
8	09441	3	Nut-Hex, NI	30	HY910808	1	Strip-Neoprene
9	09449	2	Nut	31	09472	1	Washer-Plain
10	111-7068-03	1	Pedal Link ASM	34	09479	1	Washer-Plain
10:1:3	953868	1	Bushing-Flange, Oilite	35	111-4586	1	Screw-HSH
11	111-1310	1	Pin-Control, Pedal	36	09474	1	Washer-Spring
12	111-9244-03	1	Reverse Pedal ASM	37	111-7140	1	Cable-Transmission
12:1:3	953868	1	Bushing-Flange, Oilite	38	111-6133	1	Guard-Spiral
14	111-4579	2	Rod End-Female/Female	41	09437	2	Nut
16	09363	2	Screw-HH	42	09267	3	Washer
17	09373	3	Bolt-Coach	43	09480	1	Washer-Lock
18	09392	2	Screw-HH	47	70-07-067	1	Tape-Slip, Anti
19	09475	2	Washer				

Fuel Tank and Storage Pod Assembly



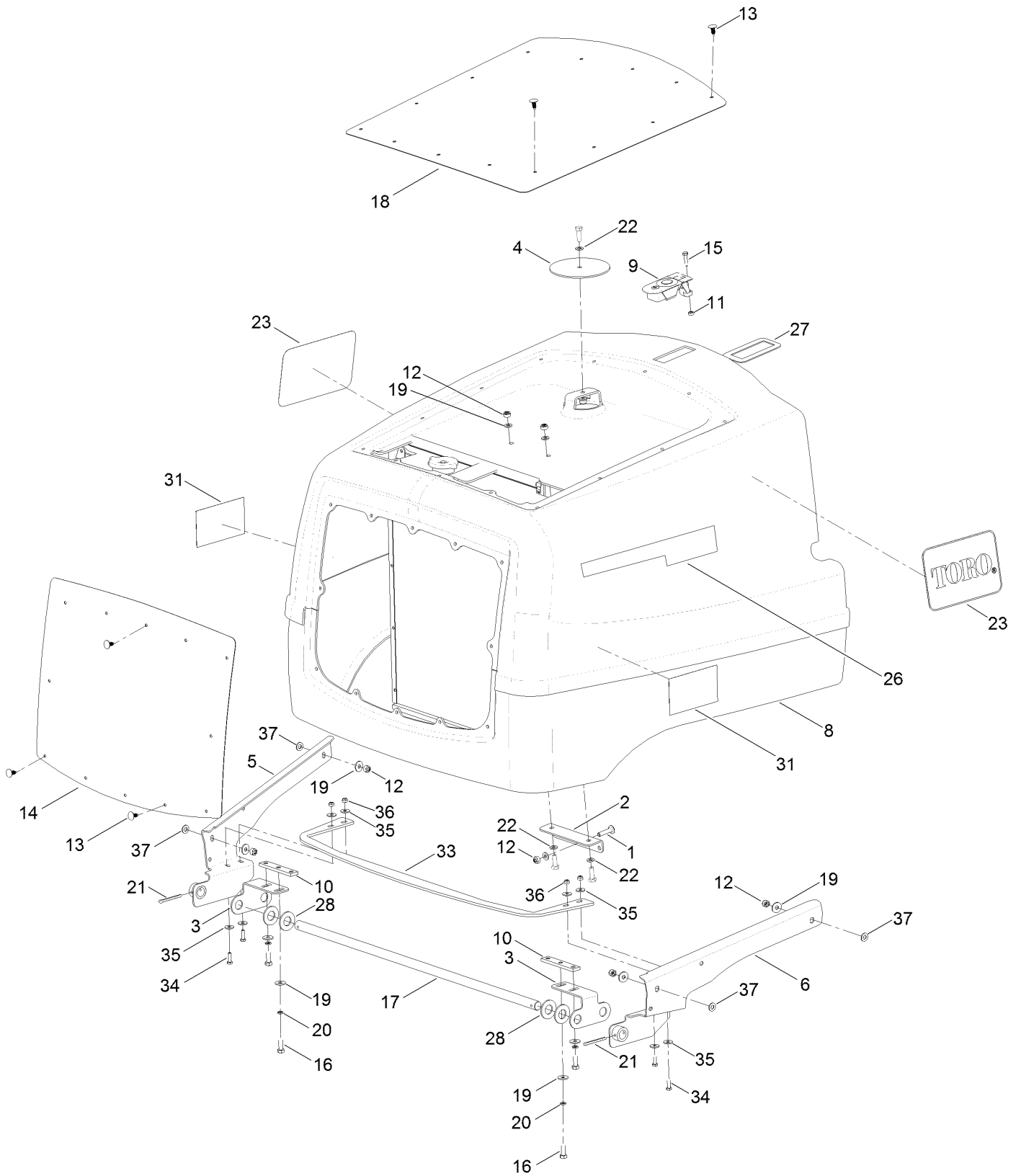
Fuel Tank and Storage Pod Assembly (continued)

<i>Ref.</i>	<i>Part Number</i>	<i>Qty.</i>	<i>Description</i>	<i>Ref.</i>	<i>Part Number</i>	<i>Qty.</i>	<i>Description</i>
1	09565	1	Screw-HH	23	09267	6	Washer
2	111-3452-03	1	Bracket-Fuel Tank	24	03469	6	Washer-Spring
3	111-3453-03	1	Bracket-Fuel Tank, Upper	25	HY09485	6	Washer-Plain
4	111-3424-03	1	Bracket-Pod, Storage	26	ZWP1H000U	2	Washer-Plain
5	107-4543	1	Clamp	27	111-7242-03	1	Cover-Storage
6	104-5603	1	Gauge-Level, Fuel	27:1		1	Cover Assembly Storage Pod ●■
7	111-7306-01	1	Step-Foot, Rev	27:1:4	134-2164	1	Plug-Lid, Storage
8	111-3531	1	Cap-Fuel	28	09430	3	Nut-Nyloc
9	111-3294	1	Tank-Fuel	29	111-3381	3	Screw-HSBH
10	111-8098	1	Decal-Warning, Inclines	30	09470	3	Washer
11	111-3281	2	Bar-Nut	32	111-3666	3	Handwheel
13	09441	1	Nut-Hex, NI	33	95-8972	1	Grommet
14	910352	1	Pipe-Return, Fuel	34	111-4490	3	Bar-Nut
15	910351	1	Pipe-Suction, Fuel	35	09599	6	Washer-Lock
16	111-9042-03	1	Support-Platform	36	111-9044	2	Pad-Support, Outer
17	111-9041-03	1	Support-Platform	37	111-5388	1	Pad-Rubber, Storage Pod
18	111-3925	2	Washer-Fiber	38	111-9043	2	Pad-Support, Inner
19	ZDH1L035U	6	Screw-HH	39	50-08-001	1	Edging-Rubber
20	09369	4	Screw-HH	40	111-7658	3	Washer
21	09368	2	Screw-HH	99	70-07-067	1	Tape-Slip, Anti ●
22	111-3295	1	Pod-Storage				

● Not illustrated

■ Not serviced separately

Hood Assembly

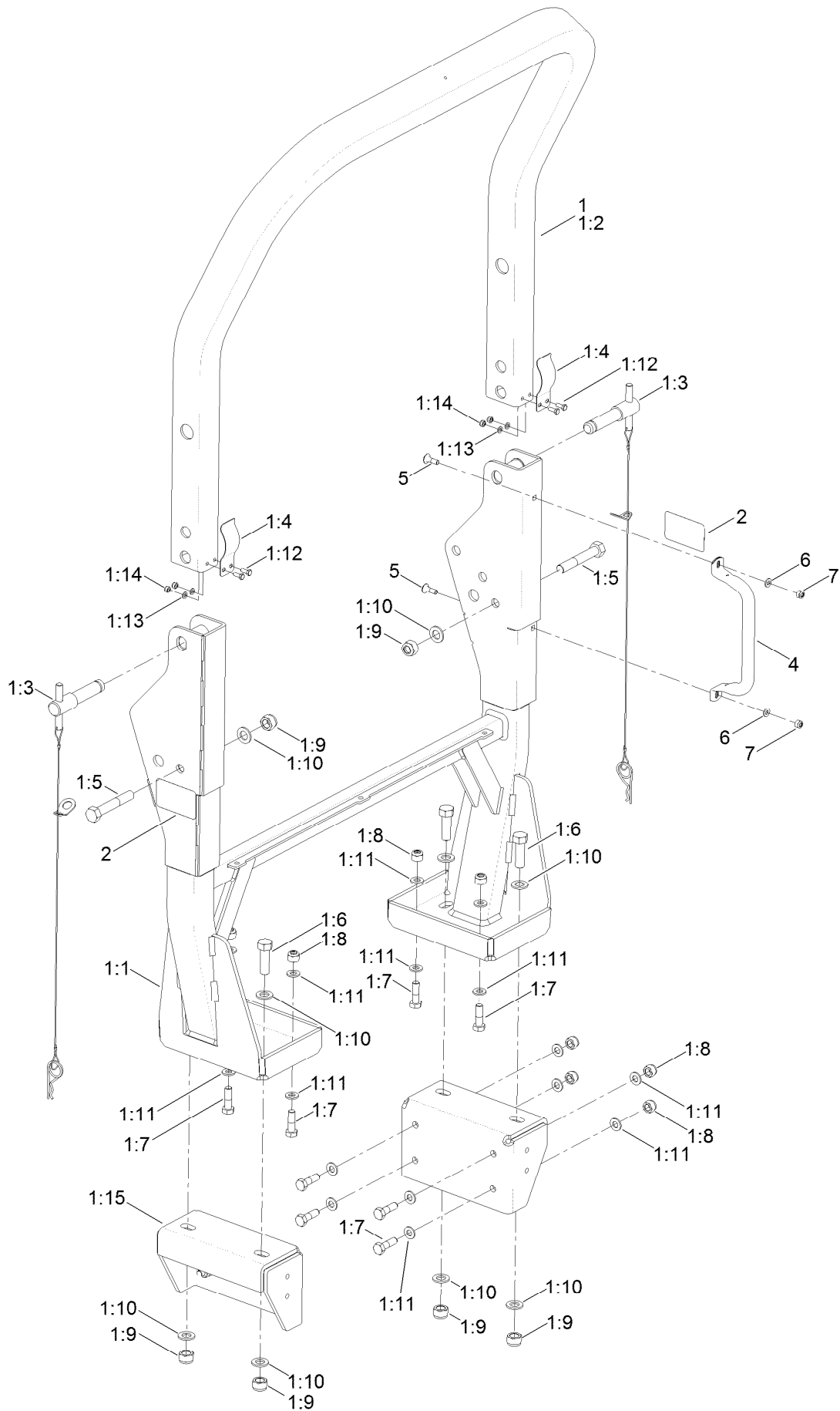


Hood Assembly (continued)

<i>Ref.</i>	<i>Part Number</i>	<i>Qty.</i>	<i>Description</i>	<i>Ref.</i>	<i>Part Number</i>	<i>Qty.</i>	<i>Description</i>
1	09369	1	Screw-HH	18	111-6918-03	1	Screen-Top
2	111-2111-03	1	Bracket-Engine, Cover	19	09267	11	Washer
3	111-7483-03	2	Bracket, Hinge-Shaft	20	03469	4	Washer-Spring
4	111-3557-03	1	Cover-Air, Intake	21	74-11-003	2	Pin-Split
5	111-3490-03	1	Hinge-Cover, Engine (LH)	22	ZWP1H000U	4	Washer-Plain
6	111-3491-03	1	Hinge-Cover, Engine (RH)	23	111-3728	2	Decal
8	111-6920	1	Cover-Engine	26	111-4976	2	Decal
9	950831	1	Latch-Sealed, Lever	27	111-4158-03	1	Plate-Support, Latch
10	111-3281	2	Bar-Nut	28	09499	4	Washer
11	09437	1	Nut	31	94-8099	2	Decal
12	09441	8	Nut-Hex, NI	33	111-8236-03	1	Plate-Tie, Cover
13	117-2382	26	Plug-Plastic	34	09363	4	Screw-HH
14	111-6919-03	1	Screen-Rear	35	09262	8	Washer
15	09364	1	Screw-HH	36	09438	4	Nut-Nyloc
16	03162	4	Screw-HH	37	09475	4	Washer
17	111-7482	1	Shaft-Hinge, Cover	99	111-7488	5	Seal-Cover, Screen ●

● Not illustrated

Roll-Over Protection System Assembly

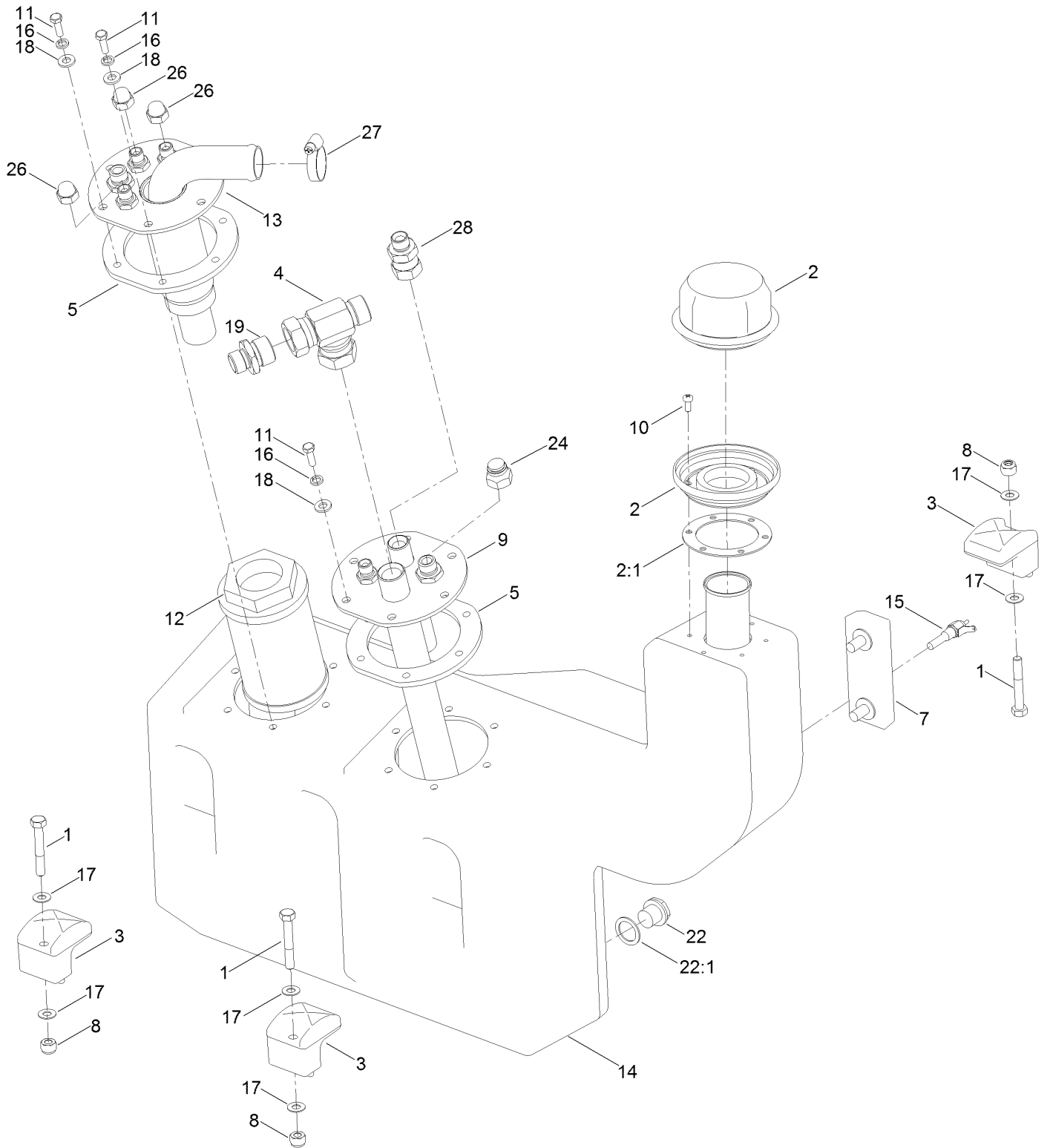


Roll-Over Protection System Assembly (continued)

<i>Ref.</i>	<i>Part Number</i>	<i>Qty.</i>	<i>Description</i>	<i>Ref.</i>	<i>Part Number</i>	<i>Qty.</i>	<i>Description</i>
1		1	ROPS ASM ●	1:11	HY09485	24	Washer-Plain
1:1	111-9047-03	1	ROPS-Lower	1:12	09362	4	Screw-HH
1:2	111-8040-03	1	ROPS-Upper	1:13	09472	4	Washer-Plain
1:3	111-9280	2	Pin Assembly	1:14	09438	4	Nut-Nyloc
1:4	110-5696	2	Spring-Leaf	1:15	111-9065-03	2	Bracket-Chassis, ROPS
1:5	ZBH1P100U	2	Bolt	2	111-0773	2	Decal
1:6	ZDH1P050U	4	Screw-HH	4	134-2022-03	1	Handle-ROPS
1:7	63-11-010	12	Bolt-HH	5	ZBK1H030U	2	Carriage-Bolt
1:8	111-9291	12	Nut-Hex, Nyloc	6	ZWP1H000U	2	Washer-Plain
1:9	09456	6	Nut	7	09441	2	Nut-Hex, NI
1:10	09491	10	Washer-Plain				

● Not serviced separately

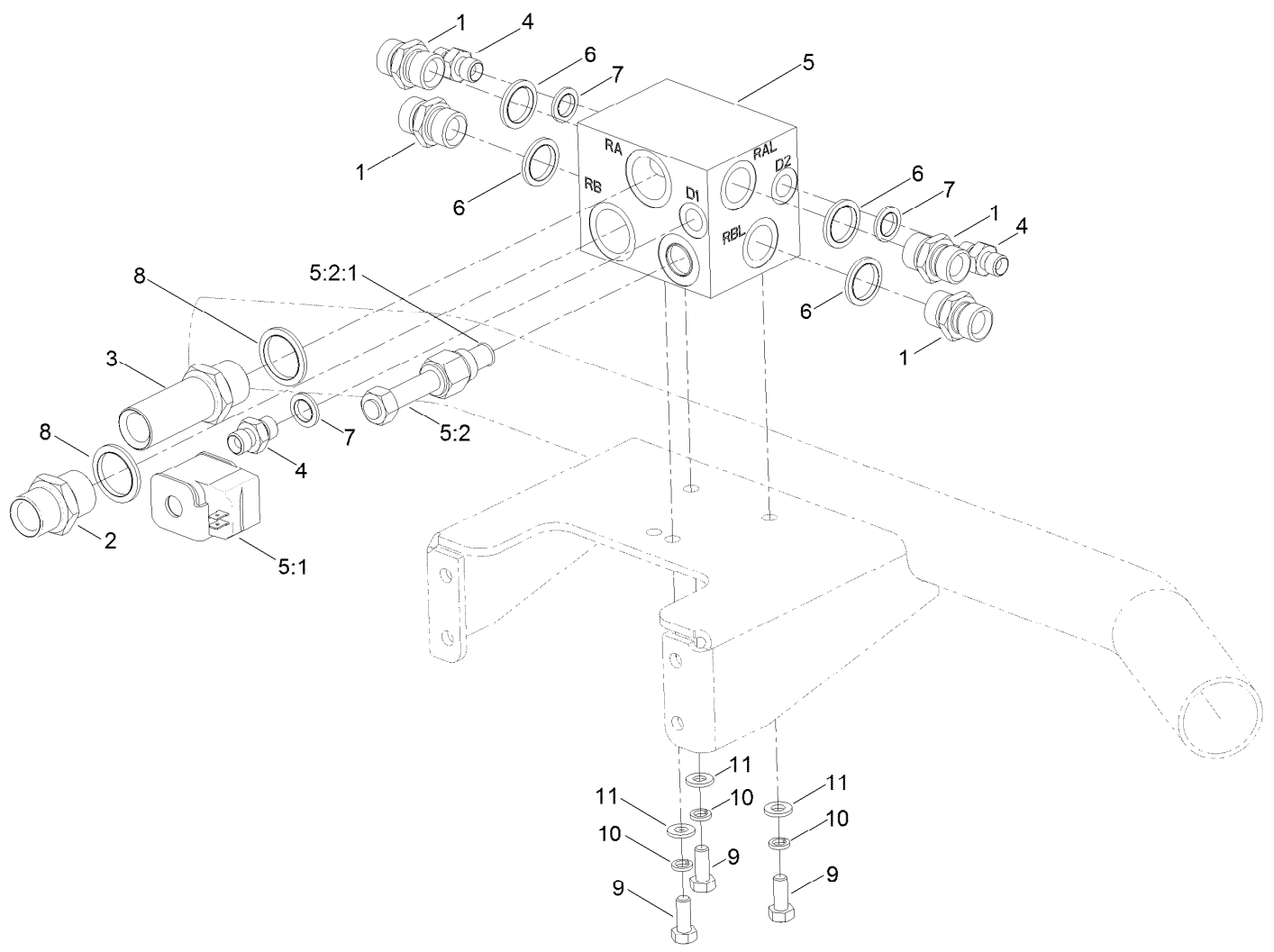
Hydraulic Oil Tank Assembly



Hydraulic Oil Tank Assembly (continued)

<i>Ref.</i>	<i>Part Number</i>	<i>Qty.</i>	<i>Description</i>	<i>Ref.</i>	<i>Part Number</i>	<i>Qty.</i>	<i>Description</i>
1	09565	3	Screw-HH	14	111-9528	1	Tank-Oil, Hydraulic
2	HY910601	1	Cap-Breather, Filler	15	940852	1	Switch-Temperature
2:1	910648	1	Cap-Gasket, Filler	16	09474	12	Washer-Spring
3	107-4543	3	Clamp	17	09475	6	Washer
4	60-06-009	1	Adaptor-Tee	18	09472	12	Washer-Plain
5	111-9531	2	Gasket-Flange	19	09-06-201	1	Adaptor
7	65-06-018	1	Gauge-Level, Oil	22	20-06-207	1	Plug-Magnetic
8	09442	3	Nut	22:1	111-7925	1	Washer-Fiber
9	111-9533-03	1	Flange-Return	24	111-4972	2	Cap-BSP
10	09634	6	Screw-PPH, HD	26	66-06-003	3	Cap-BSP
11	09363	12	Screw-HH	27	10-11-034	1	Clamp-Hose, Hi-Torque
12	10-06-025	1	Filter-Suction	28	09-06-217	1	Adaptor
13	111-9532	1	Flange-Suction				

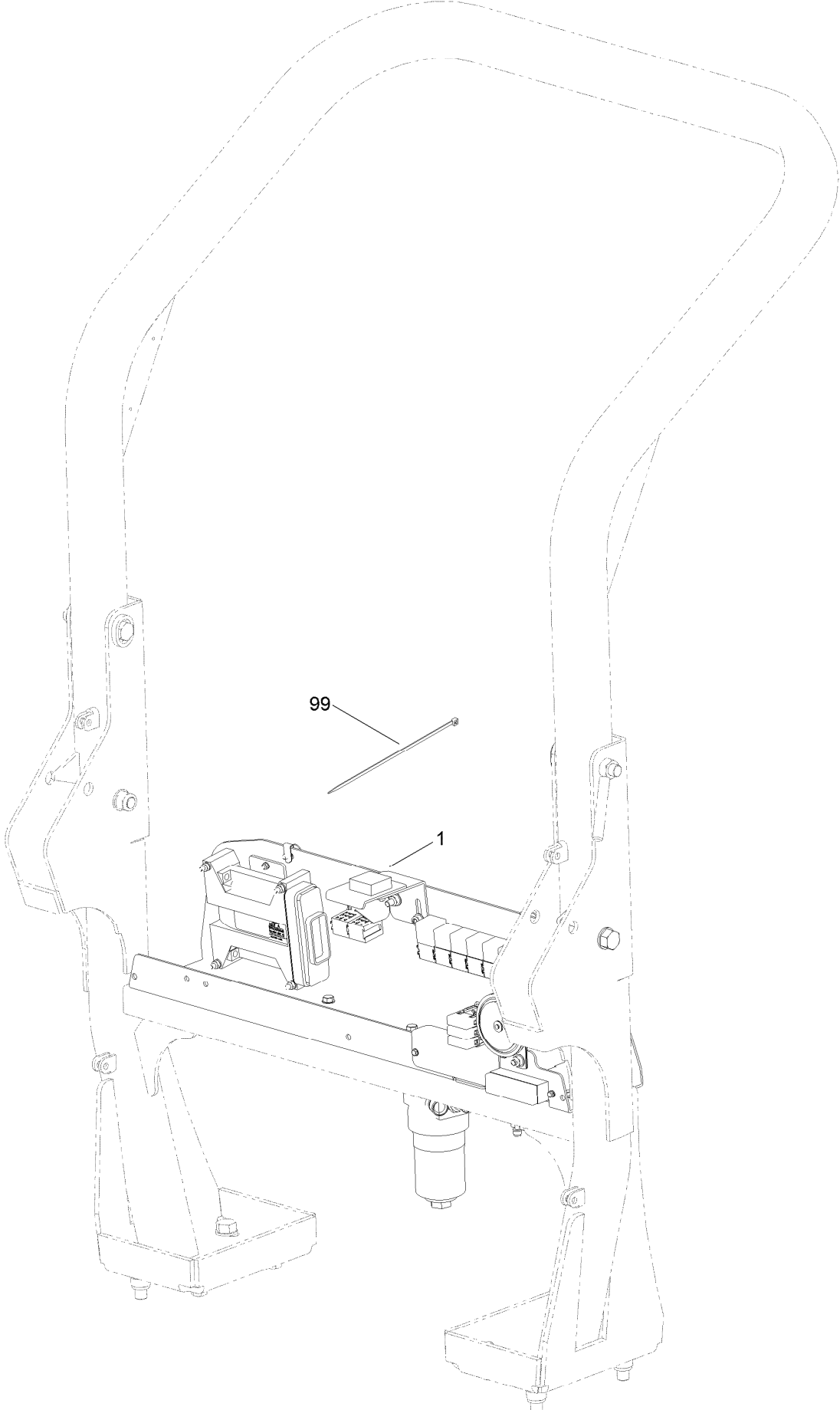
Rear Transmission Block Assembly



Rear Transmission Block Assembly (continued)

<i>Ref.</i>	<i>Part Number</i>	<i>Qty.</i>	<i>Description</i>	<i>Ref.</i>	<i>Part Number</i>	<i>Qty.</i>	<i>Description</i>
1	10-06-078	4	Adaptor-BSPP	5:2:1	910642	1	Seal Kit
2	10-06-044	1	Adaptor-BSP	6	10-06-032	4	Seal-Dowty
3	111-7494	1	Adaptor-BSP	7	10-06-030	3	Seal-Dowty
4	10-06-085	3	Adaptor	8	10-06-033	2	Seal-Dowty
5	924687	1	Manifold-Transmission, Rear	9	09368	3	Screw-HH
5:1	910627	1	Coil-Solenoid	10	03469	3	Washer-Spring
5:2	924688	1	Valve-Solenoid	11	ZWP1H000U	3	Washer-Plain

Loom Kit

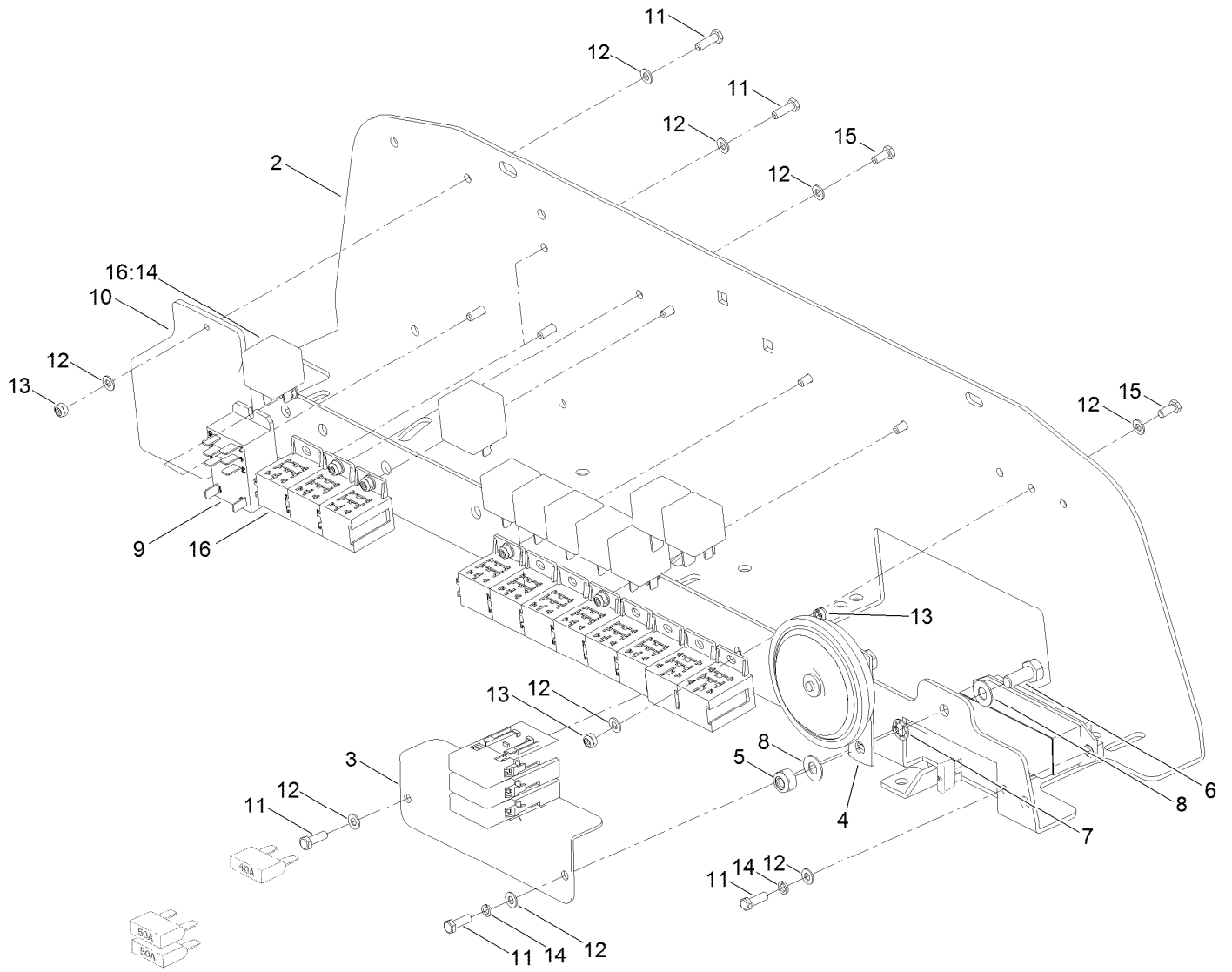


Loom Kit (continued)

<i>Ref.</i>	<i>Part Number</i>	<i>Qty.</i>	<i>Description</i>
1		1	Loom Kit ●
99	HY3966	30	Tie-Cable

● Not serviced separately

Electrical Assembly

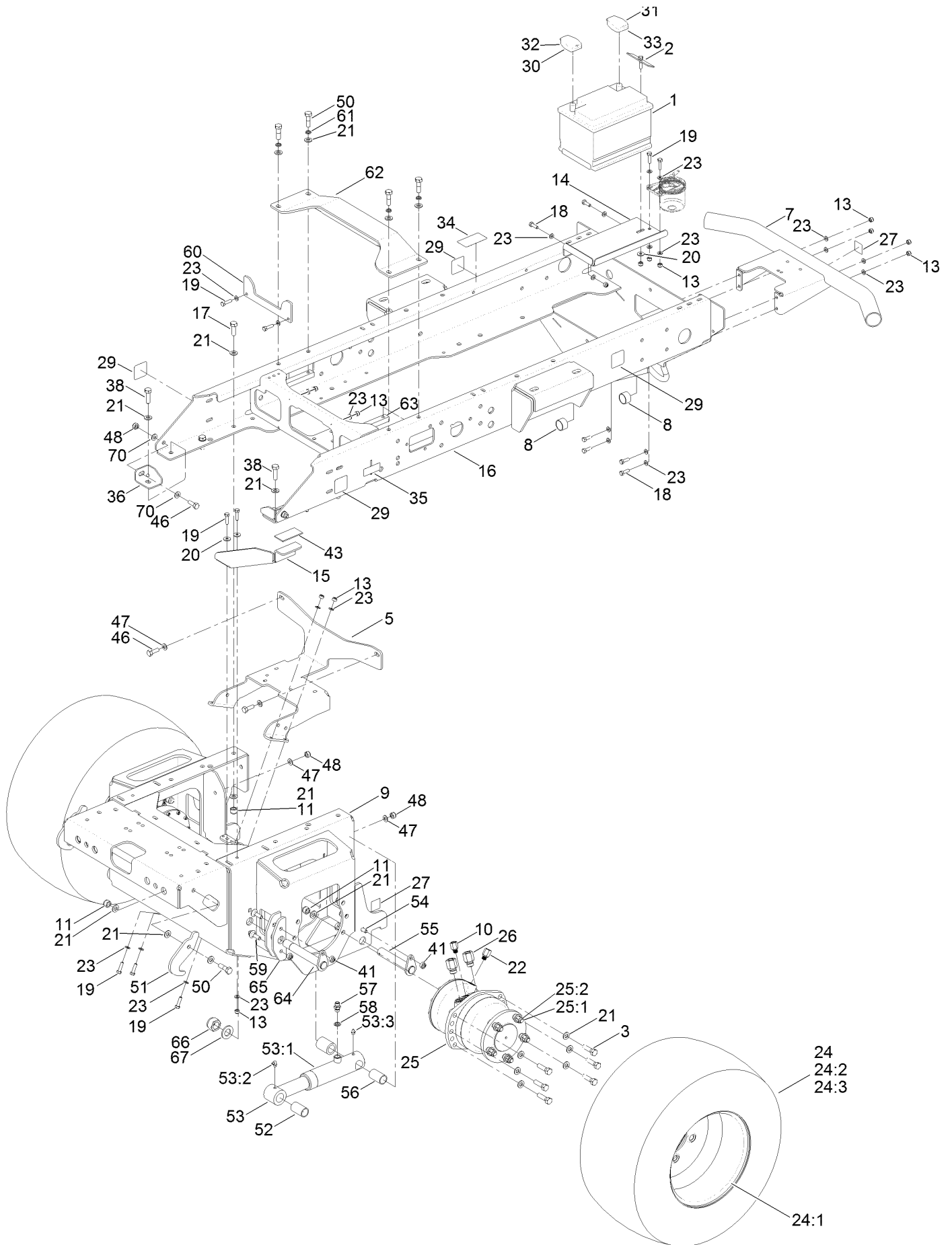


Electrical Assembly (continued)

<i>Ref.</i>	<i>Part Number</i>	<i>Qty.</i>	<i>Description</i>	<i>Ref.</i>	<i>Part Number</i>	<i>Qty.</i>	<i>Description</i>
1	111-6191	1	Harness-Wiring ●	10	70-01-512	1	Timer ASM
2	134-0435-03	1	Plate-Base, Electrical	11	ZDH1E016U	7	Screw-HH
3	111-4842-03	1	Bracket-Fuse	12	09470	22	Washer
4	70-09-108	1	Horn ASM	13	09430	10	Nut-Nyloc
5	09441	1	Nut-Hex, NI	14	09644	2	Washer-Spring
6	09368	1	Screw-HH	15	ZDH1E012U	5	Screw-HH
7	09476	1	Washer-Shakeproof	16	111-7412	1	Deck Cutout Relay ASM
8	09475	2	Washer	16:14	111-0336	1	Relay-30A
9	995713	1	Relay-Neutral, Start				

● Not illustrated

Main Frame, Chassis, Front Wheel and Battery Assembly

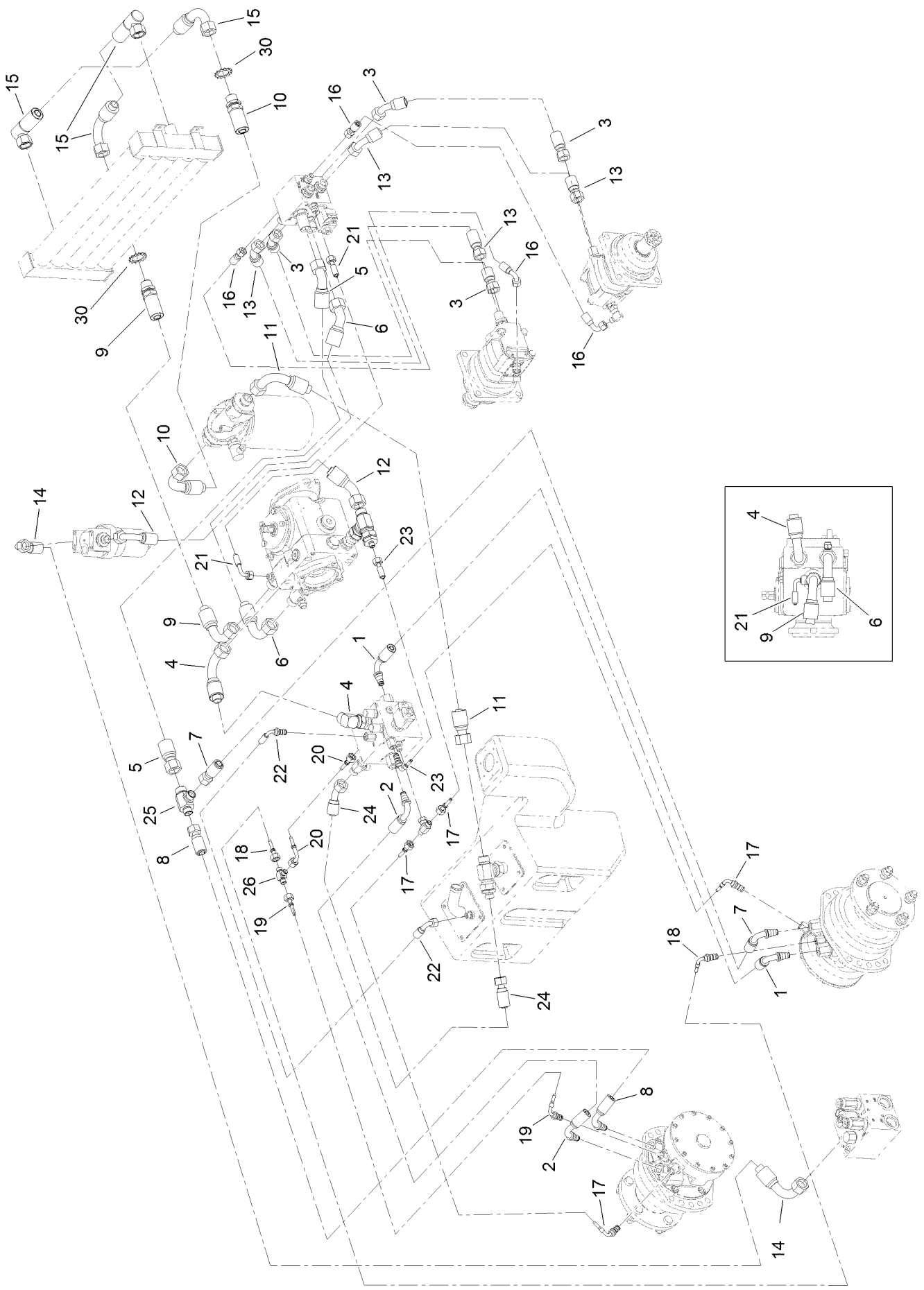


Main Frame, Chassis, Front Wheel and Battery Assembly (continued)

<i>Ref.</i>	<i>Part Number</i>	<i>Qty.</i>	<i>Description</i>	<i>Ref.</i>	<i>Part Number</i>	<i>Qty.</i>	<i>Description</i>
1	70-09-015	1	Battery	32	111-3690	1	Cable-Battery, Positive
2	70-01-340	1	Retainer-Battery	33	70-09-170	1	Cable-Battery, Negative
3	ZBH1L045U	12	Screw-HH	34	950889	1	Decal-Warning
5	111-6791-03	1	Bracket-Manifold, Cutter	35	111-3901	1	Decal-Transmission, Oil
7	111-3110-03	1	Bumper-Rear	36	111-7092-03	2	Bracket-Chassis, Universal
8	65-07-051	2	Bushing	38	ZDH1L040U	2	Screw-HH
9	111-4668-03	1	Chassis-Front	41	ZNN1J000U	8	Nut-Hex, NI
10	111-3509	2	Adaptor	43	HY910808	1	Strip-Neoprene
11	ZNN1L000U	20	Nut-Nyloc	46	09392	4	Screw-HH
13	09441	17	Nut-Hex, NI	47	09479	4	Washer-Plain
14	111-2599-03	1	Plate-Mount, Battery	48	ZNN1J000U	4	Nut-Hex, NI
15	111-3217-03	1	Support-Platform, Front (LH)	50	63-11-010	6	Bolt-HH
16	111-7788-03	1	Chassis-Rear W/A	51	111-4888-01	2	Plate-Latch, Front
17	ZDH1L035U	4	Screw-HH	52	25-07-007	4	Bushing-Tension
18	03162	6	Screw-HH	53	111-4786	2	HYD Cylinder ASM
19	09369	10	Screw-HH	53:1	50-06-013	1	Seal Kit ●
20	09267	3	Washer	53:2	63-07-027	1	Zerk-Grease, BSP (90 DEG)
21	HY09485	46	Washer-Plain	53:3	10-11-017	1	Fitting-Straight
22	111-3538	2	Adaptor	54	15-11-003	2	Bolt-CARR
23	ZWP1H000U	30	Washer-Plain	55	994560	2	Pin
24	111-6878	2	Wheel ASM	56	111-5300	2	Spacer-Ram
24:1	111-6879	1	Rim-Wheel	57	10-06-085	2	Adaptor
24:2	74-07-012	1	Tube-Inner ●●	58	10-06-030	2	Seal-Dowty
24:3	74-07-027	1	Tire	59	09738	6	Bolt-Carriage
25	111-6761	2	HYD Motor ASM	60	111-5538-03	1	Location-Plate
25:1	111-7059	5	Stud-Wheel	61	09599	4	Washer-Lock
25:2	74-07-016	5	Nut	62	111-7065-03	1	Brace
25:99	111-9650	1	Kit-Seal ●	63	111-7094	2	Brace-Chassis
26	111-3529	4	Adaptor	64	111-8008	2	Pin-Arm, ASM
27	70-13-072	3	Decal	65	111-8007-03	2	Plate-Wear
29	950832	4	Decal	66	ZNN1X000U	2	Nut-Hex, Nyloc
30	70-09-171	1	Terminal-Positive	67	09555	2	Washer
31	70-09-172	1	Terminal-Negative	70	ZWQ1J000U	4	Washer-Plain

● Not illustrated

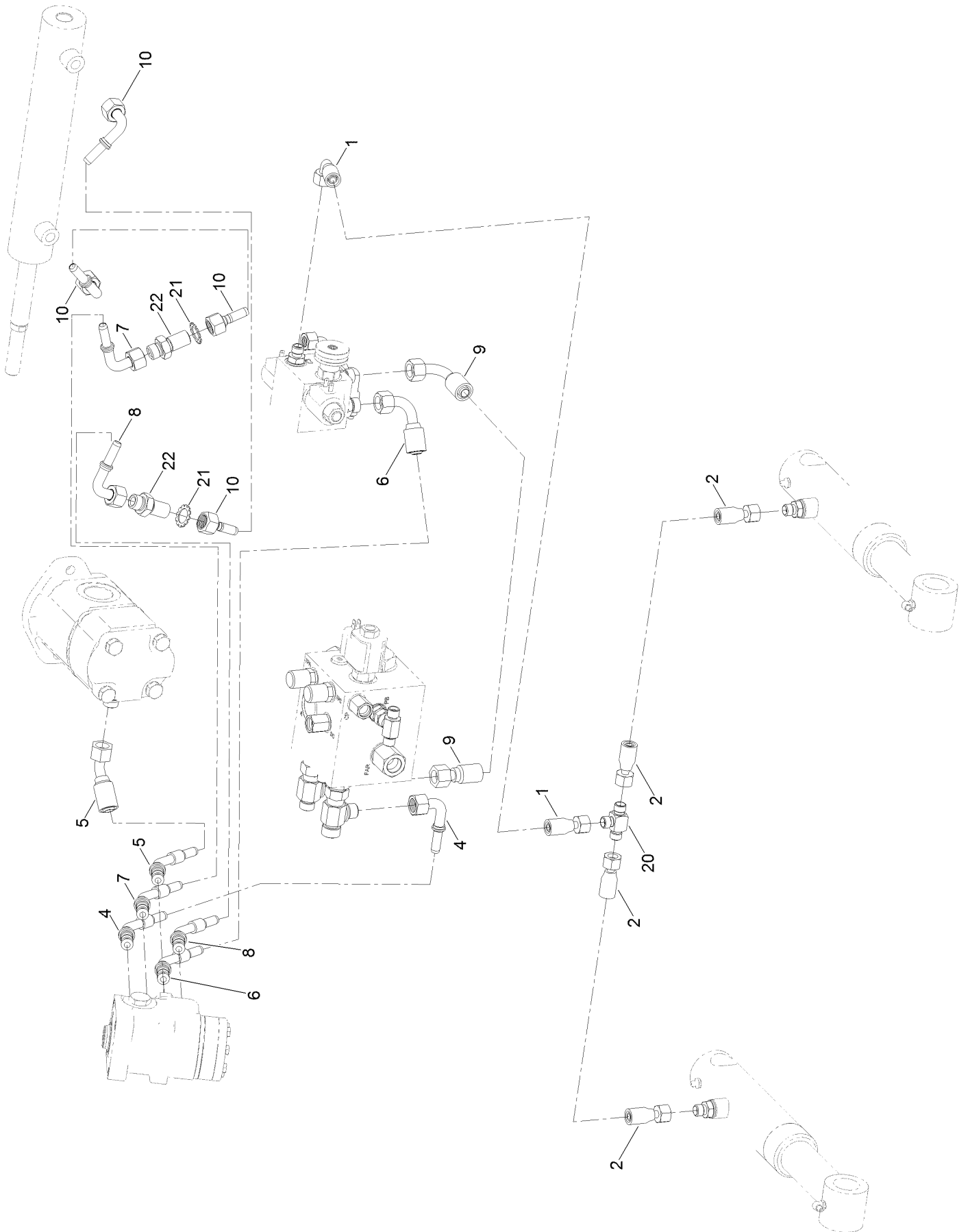
Transmission Hydraulic Circuit Assembly



Transmission Hydraulic Circuit Assembly (continued)

<i>Ref.</i>	<i>Part Number</i>	<i>Qty.</i>	<i>Description</i>	<i>Ref.</i>	<i>Part Number</i>	<i>Qty.</i>	<i>Description</i>
1	111-4473	1	Hose	15	111-3599	2	Hose
2	111-5521	1	Hose	16	111-3604	2	Hose
3	111-3576	2	Hose	17	111-5523	2	Hose
4	111-5525	1	Hose	18	111-3606	1	Hose
5	111-3578	1	Hose	19	111-3607	1	Hose
6	111-4479	1	Hose	20	111-4480	1	Hose
7	111-5524	1	Hose	21	111-4481	1	Hose
8	111-4477	1	Hose	22	111-3619	1	Hose
9	111-4478	1	Hose	23	111-5962	1	Hose
10	111-3587	1	Hose	24	111-4969	1	Hose
11	111-3588	1	Hose	25	111-3642	1	Tee-BSP
12	111-4959	1	Hose	26	30-06-201	1	Tee
13	111-3595	2	Hose	30	111-9293	2	Washer-Tooth
14	111-4960	1	Hose				

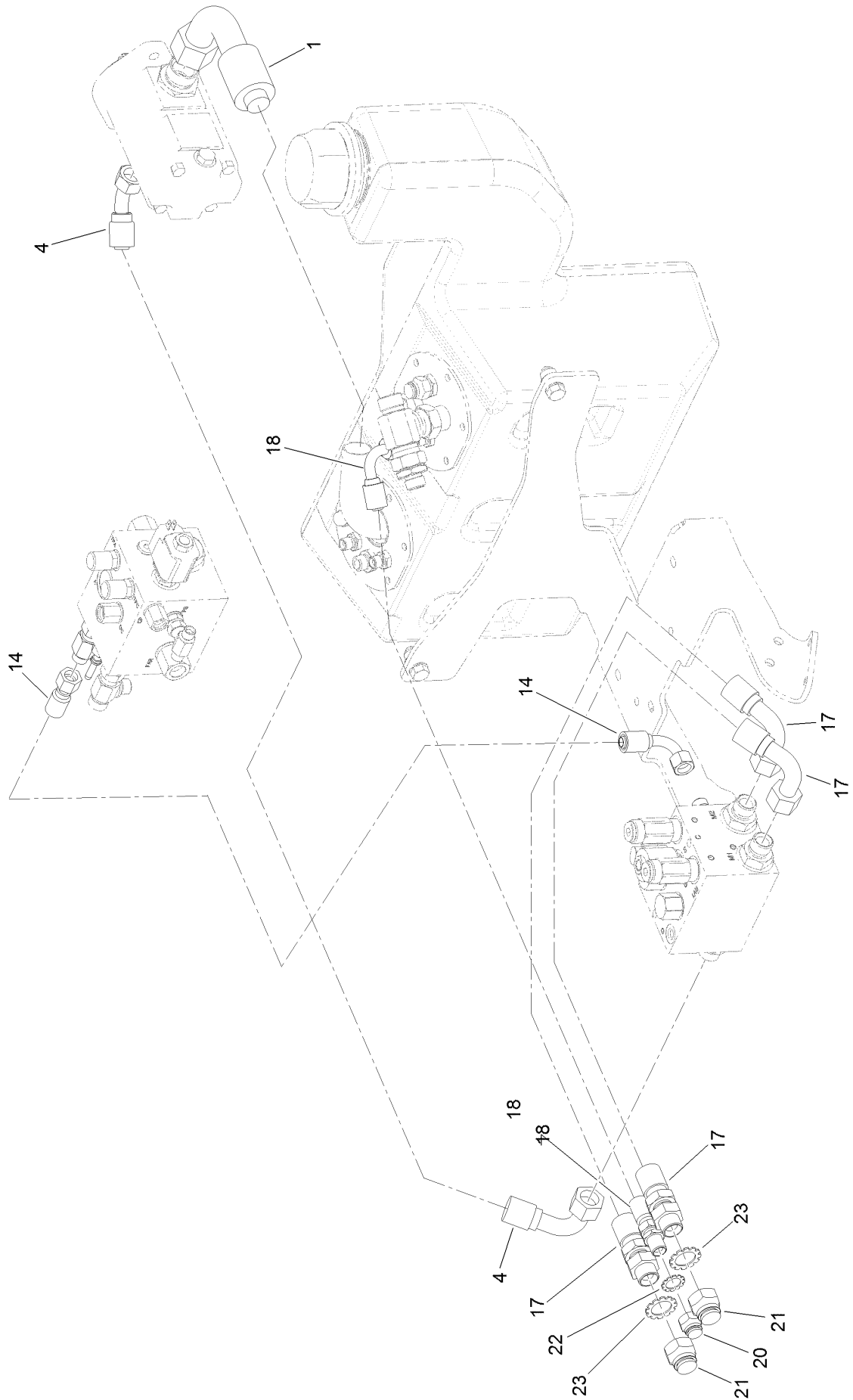
Hose Assembly No. 2



Hose Assembly No. 2 (continued)

<i>Ref.</i>	<i>Part Number</i>	<i>Qty.</i>	<i>Description</i>	<i>Ref.</i>	<i>Part Number</i>	<i>Qty.</i>	<i>Description</i>
1	111-4961	1	Hose	8	111-7539	1	Hose
2	111-4962	2	Hose	9	111-4964	1	Hose
4	111-3613	1	Hose	10	111-7537	2	Hose
5	111-3614	1	Hose	20	30-06-201	1	Tee
6	111-4963	1	Hose	21	111-5622	2	Washer-Lock, Serrated
7	111-7538	1	Hose	22	30-06-208	2	Adaptor

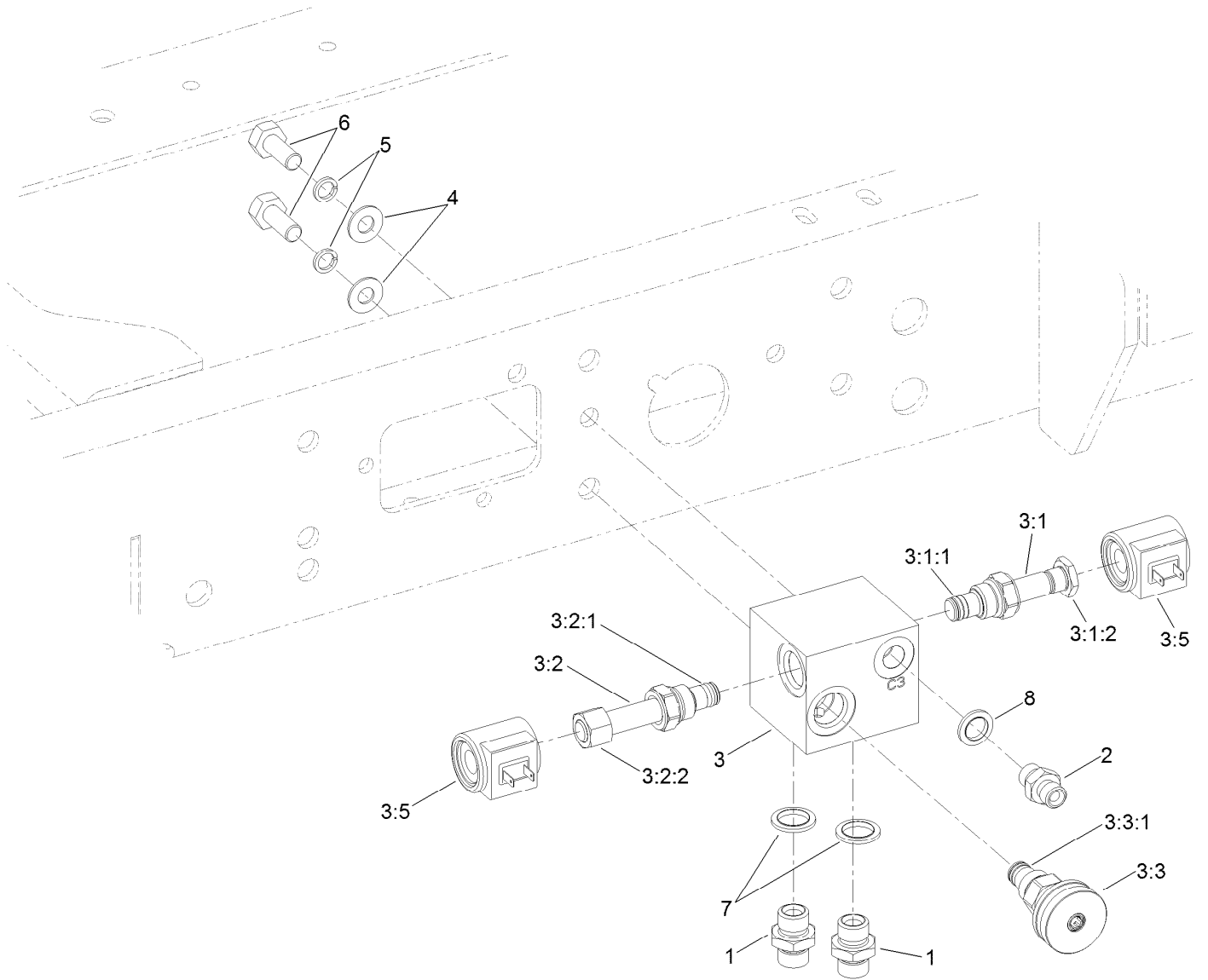
Cutter Hydraulic Circuit Assembly



Cutter Hydraulic Circuit Assembly (continued)

<i>Ref.</i>	<i>Part Number</i>	<i>Qty.</i>	<i>Description</i>	<i>Ref.</i>	<i>Part Number</i>	<i>Qty.</i>	<i>Description</i>
1	111-5486	1	Hose	20	111-4972	1	Cap-BSP
4	111-4966	1	Hose	21	111-5382	2	Cap-BSP
14	111-8085	1	Hose	22	111-5622	1	Washer-Lock, Serrated
17	111-4968	2	Hose	23	953733	2	Washer
18	111-4970	1	Hose				

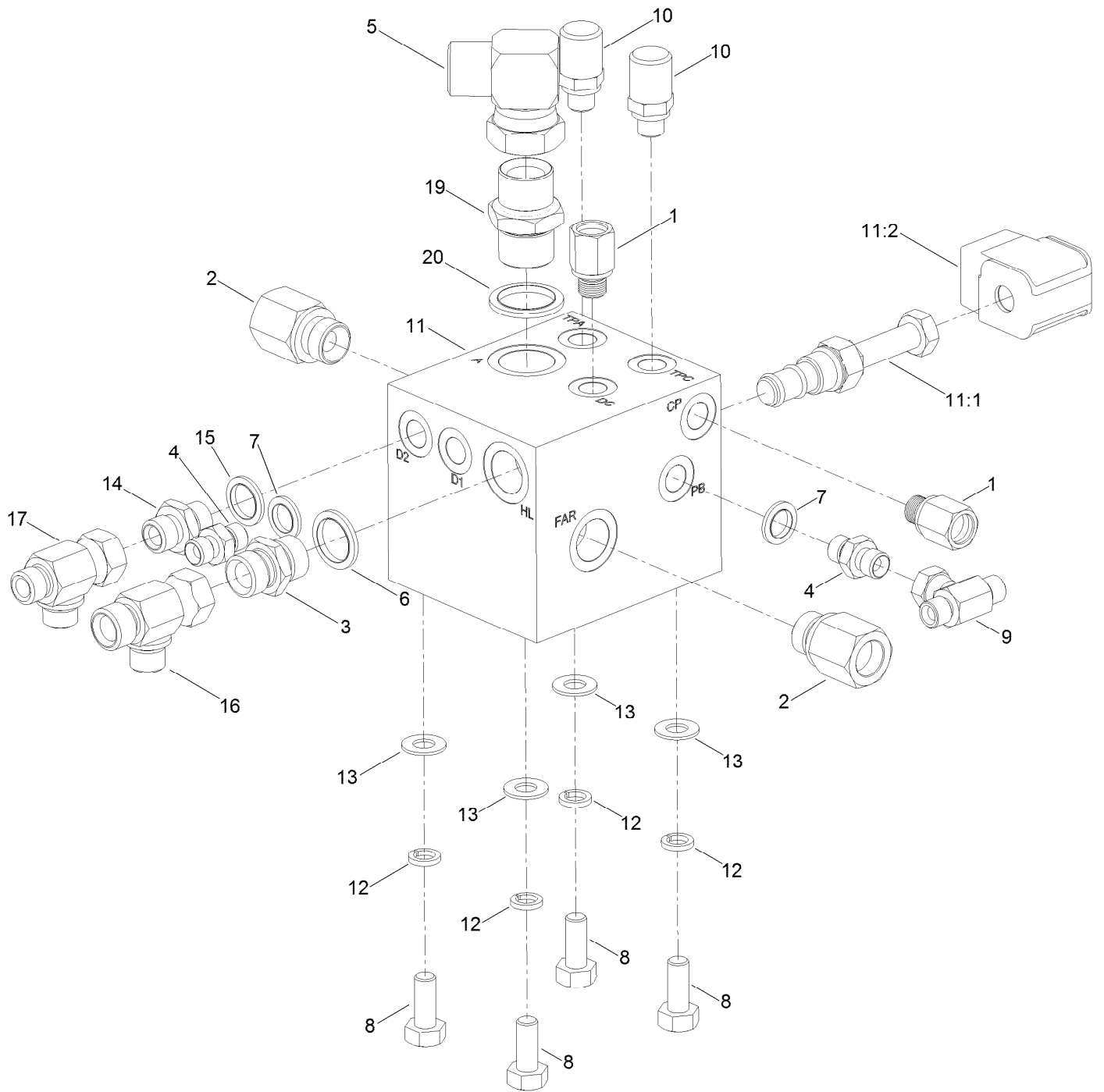
Lift Manifold Assembly



Lift Manifold Assembly (continued)

<i>Ref.</i>	<i>Part Number</i>	<i>Qty.</i>	<i>Description</i>	<i>Ref.</i>	<i>Part Number</i>	<i>Qty.</i>	<i>Description</i>
1	10-06-042	2	Adaptor-BSPP	3:3	111-5513	1	Valve-Needle, Weight
2	940691	1	Adaptor-BSPP	3:3:1	107-7527	1	Seal Kit
3	111-5236	1	Manifold ASM (Deck Lift)	3:5	111-5516	2	Coil-Solenoid
3:1	112-9206	1	Solenoid Valve ASM	4	09479	2	Washer-Plain
3:1:1	105-9156	1	Seal Kit	5	09480	2	Washer-Lock
3:1:2	110-2634	1	Nut-Coil	6	09395	2	Screw-HH
3:2	107-7517	1	Valve-Solenoid	7	10-06-031	2	Seal-Dowty
3:2:1	105-9156	1	Seal Kit	8	10-06-030	1	Seal-Dowty
3:2:2	107-7812	1	Nut-Solenoid				

Transmission Manifold Assembly

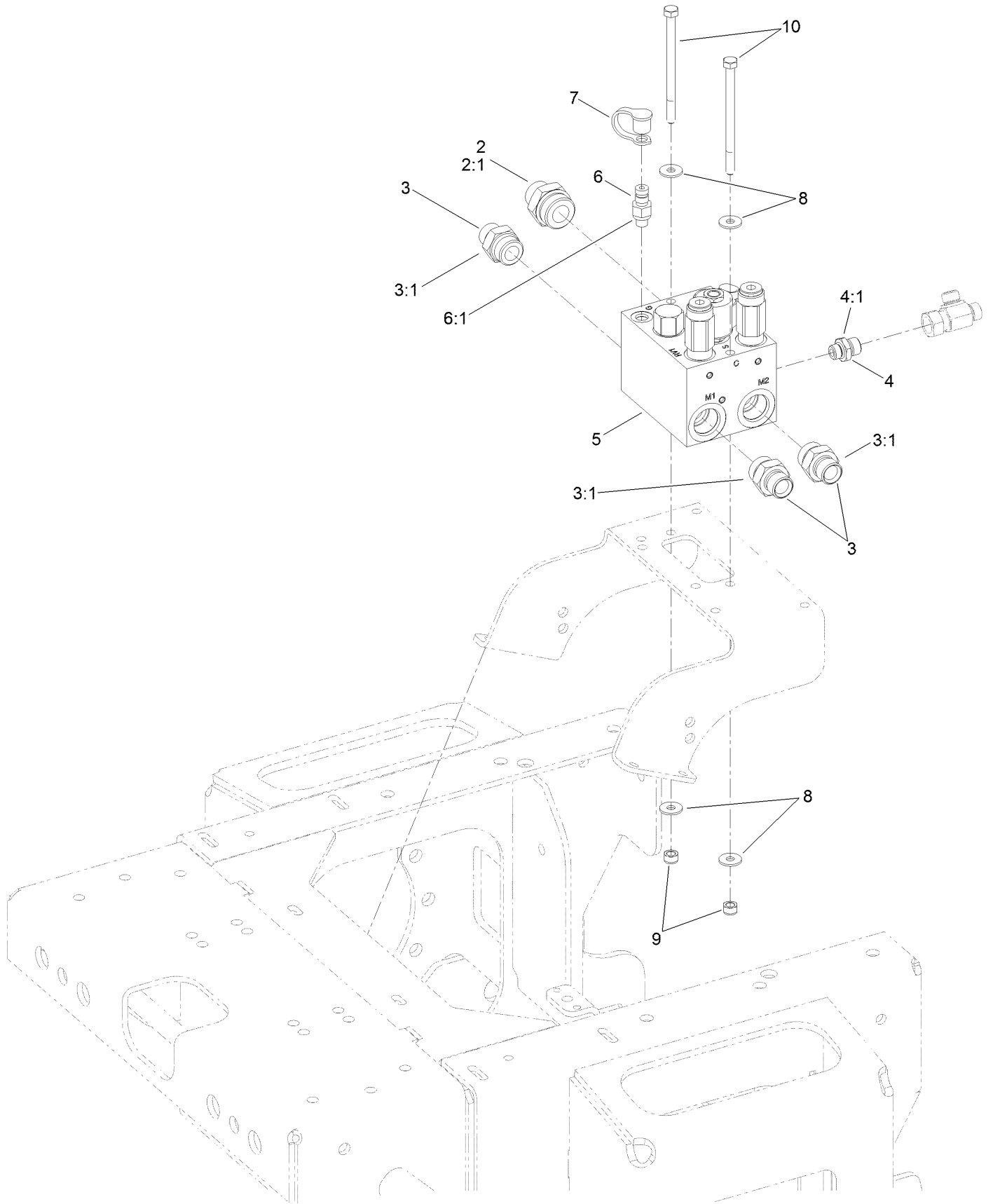


Transmission Manifold Assembly (continued)

<i>Ref.</i>	<i>Part Number</i>	<i>Qty.</i>	<i>Description</i>	<i>Ref.</i>	<i>Part Number</i>	<i>Qty.</i>	<i>Description</i>
1	111-3538	2	Adaptor	11:1	111-3533	1	Valve-Solenoid
2	111-3529	2	Adaptor	11:1:1	134-0258	1	Seal Kit ●
3	10-06-078	1	Adaptor-BSPP	11:2	910627	1	Coil-Solenoid
4	10-06-085	2	Adaptor	12	09480	4	Washer-Lock
5	111-4443	1	Elbow-BSP	13	09479	4	Washer-Plain
6	10-06-032	1	Seal-Dowty	14	10-06-042	1	Adaptor-BSPP
7	10-06-030	2	Seal-Dowty	15	10-06-031	1	Seal-Dowty
8	09395	4	Screw-HH	16	953732	1	Tee-BSP
9	60-06-011	1	Tee-BSP	17	20-06-203	1	Adaptor-Tee
10	910615	2	Point-BSPP	19	10-06-044	1	Adaptor-BSP
11	111-2555	1	Manifold-Transmission	20	10-06-033	1	Seal-Dowty

● Not illustrated

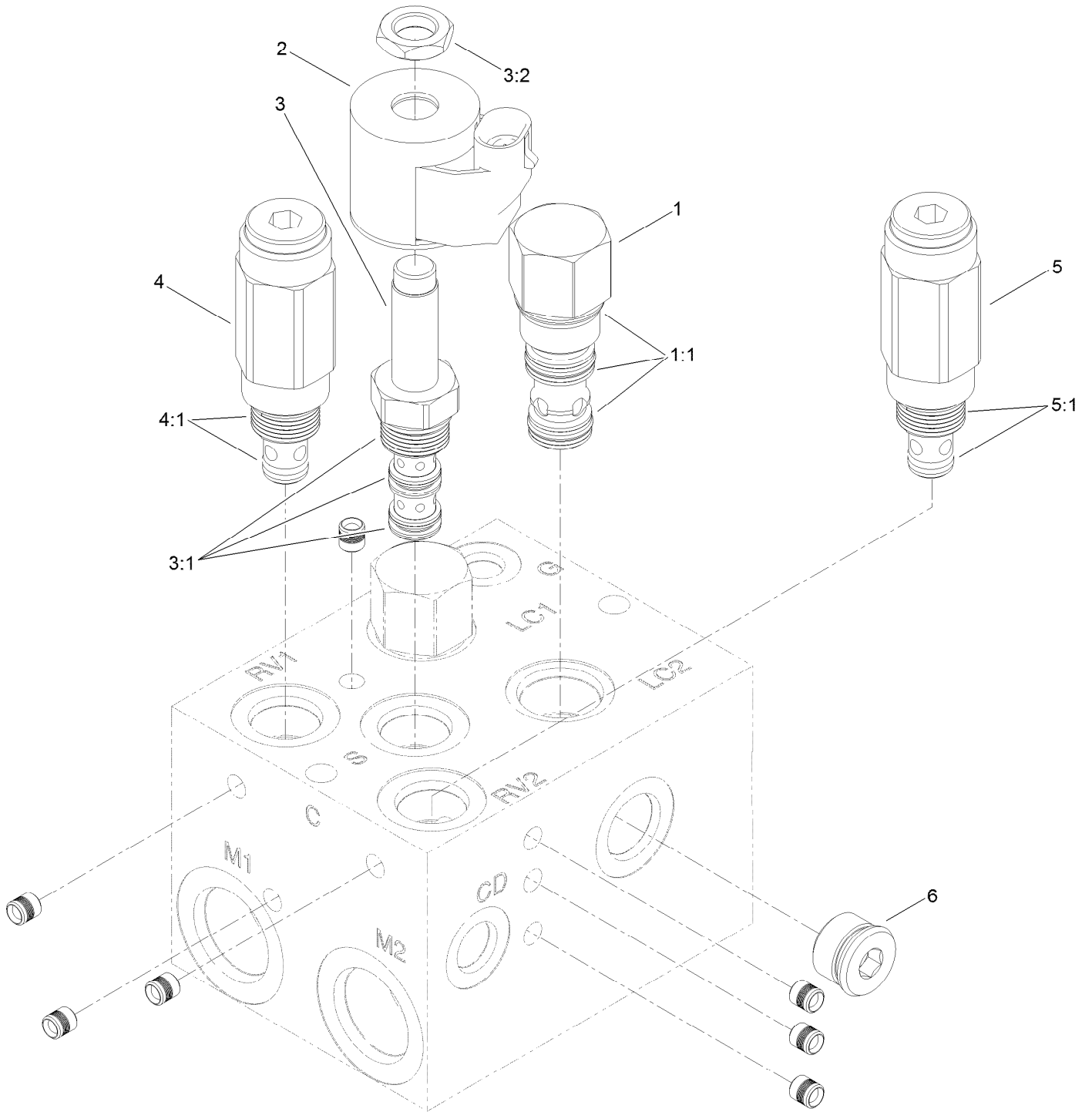
Cutter Manifold Assembly



Cutter Manifold Assembly (continued)

<i>Ref.</i>	<i>Part Number</i>	<i>Qty.</i>	<i>Description</i>	<i>Ref.</i>	<i>Part Number</i>	<i>Qty.</i>	<i>Description</i>
2	70-06-063	1	Adaptor	6	354-77	1	Fitting-Quick
2:1	70-06-169	1	Seal-O Ring O Ring	6:1	237-78	1	O-Ring
3	111-4787	3	Fitting-Straight	7	354-79	1	Cap-Dust
3:1	70-06-168	1	Seal-O Ring	8	09267	4	Washer
4	111-4788	1	Fitting-Straight	9	09441	2	Nut-Hex, NI
4:1	70-06-165	1	Seal-O Ring	10	ZBH1H120U	2	Bolt
5	115-8467	1	PTO Manifold ASM				

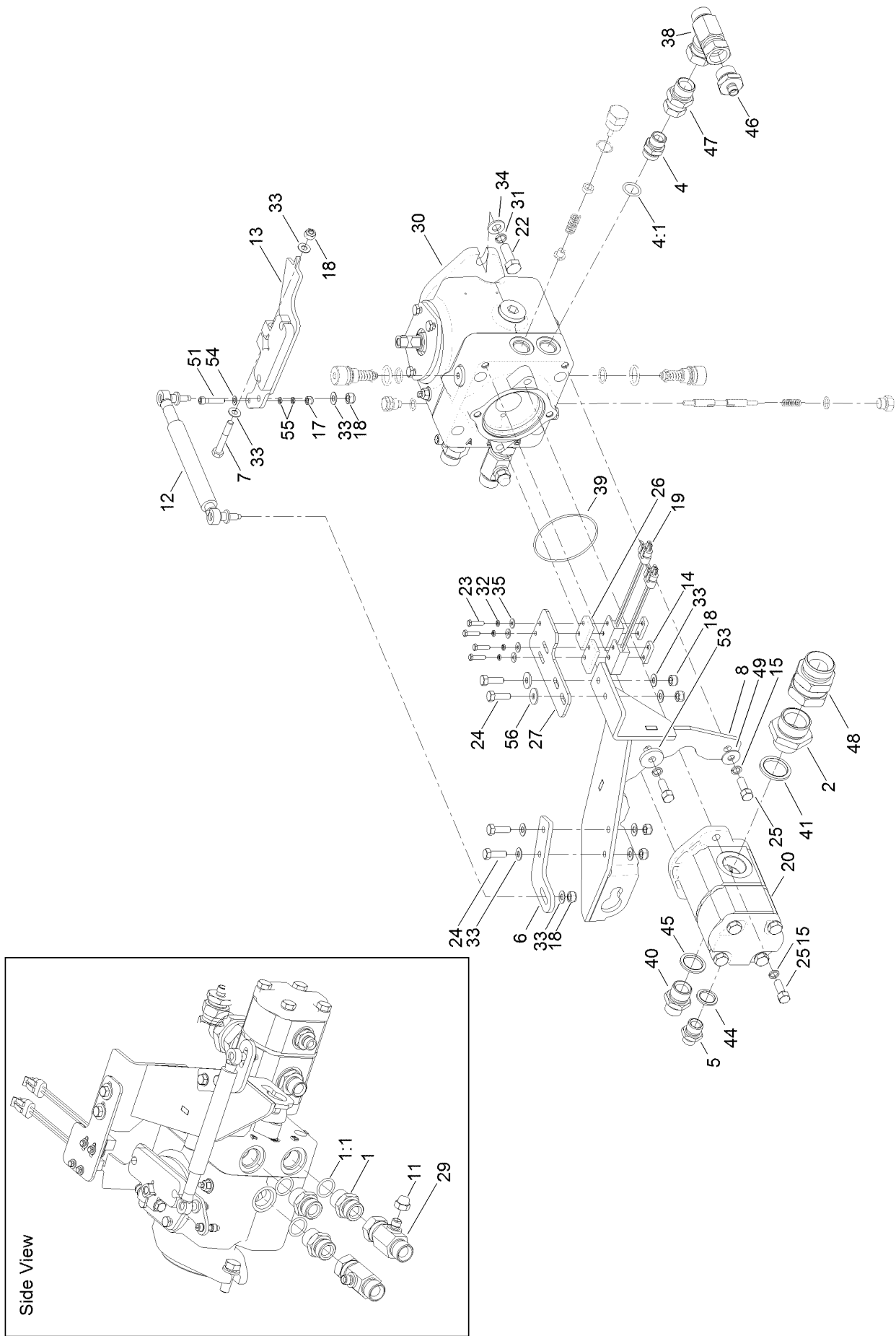
Hydraulic PTO Manifold Assembly No. 115-8467



Hydraulic PTO Manifold Assembly No. 115-8467 (continued)

<i>Ref.</i>	<i>Part Number</i>	<i>Qty.</i>	<i>Description</i>	<i>Ref.</i>	<i>Part Number</i>	<i>Qty.</i>	<i>Description</i>
1	105-9153	2	Element-Logic, Vented	4	114-5510	1	Valve-Relief, 3000 PSI
1:1	119-2159	1	Seal Kit	4:1	105-9156	1	Seal Kit
2	105-9333	1	Coil-12Vdc	5	114-5512	1	Valve-Relief, 600 PSI
3	110-0494	1	Valve-Solenoid	5:1	105-9156	1	Seal Kit
3:1	110-8773	1	Seal Kit	6	106-1027	1	Plug-HYD
3:2	110-2634	1	Nut-Coil				

Transmission and Tandem Pump Assembly

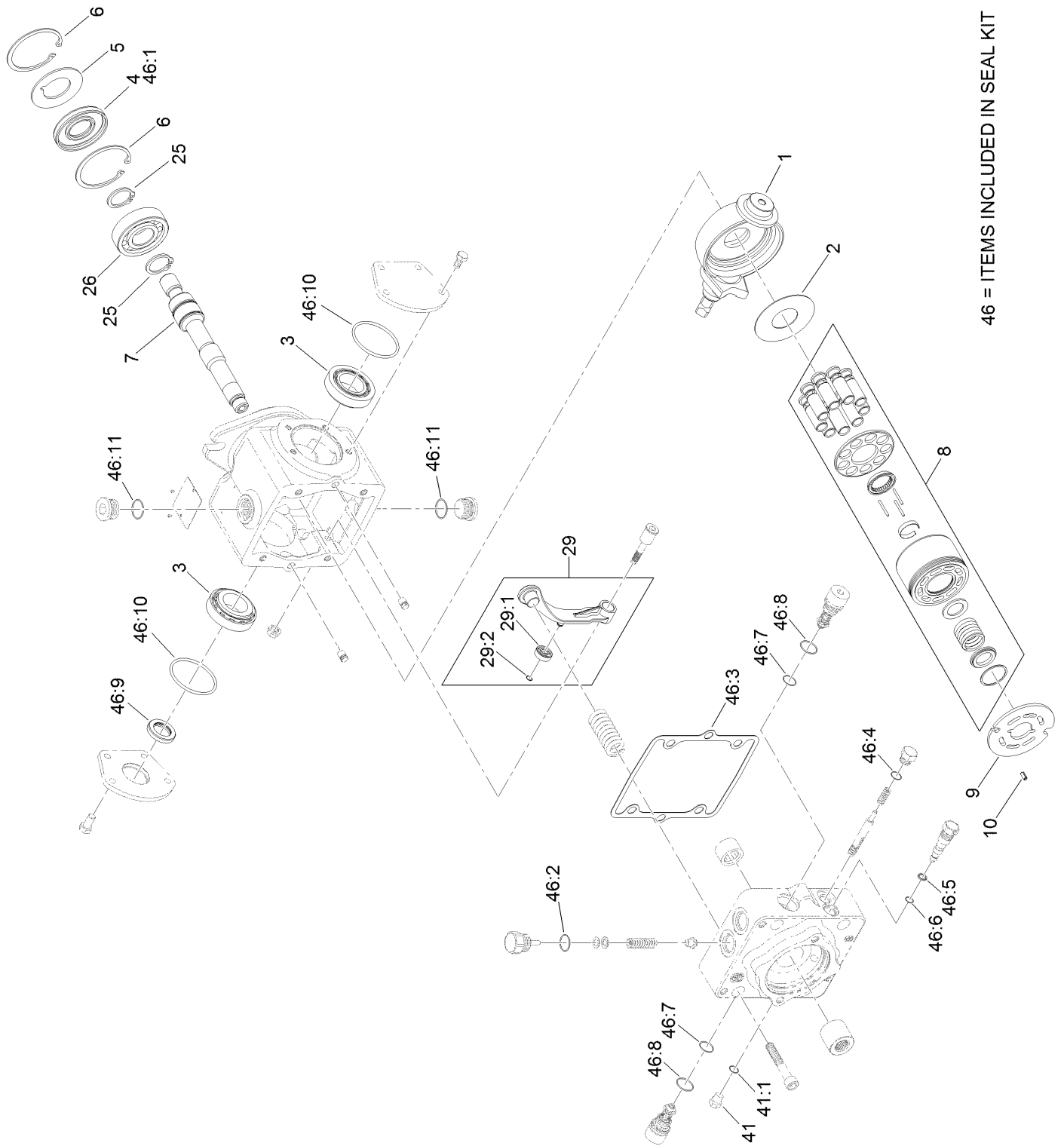


Transmission and Tandem Pump Assembly (continued)

<i>Ref.</i>	<i>Part Number</i>	<i>Qty.</i>	<i>Description</i>	<i>Ref.</i>	<i>Part Number</i>	<i>Qty.</i>	<i>Description</i>
1	70-06-050	3	Adaptor-Boss	29	111-3639	2	Tee-BSP
1:1	70-06-168	1	Seal-O Ring	30	111-6774	1	Pump-Transmission
2	15-06-109	1	Adaptor	31	09599	2	Washer-Lock
4	63-06-104	1	Adaptor-BSP	32	09644	4	Washer-Spring
4:1	63-06-111	1	Seal-O Ring	33	09475	10	Washer
5	10-06-043	1	Adaptor	34	HY09485	2	Washer-Plain
6	111-6853-03	1	Adjuster-Damper	35	09257	4	Washer
7	09565	1	Screw-HH	38	60-06-009	1	Adaptor-Tee
8	111-6456-03	1	Bracket-Control, Pump	39	70-06-028	1	O-Ring
11	66-06-003	1	Cap-BSP	40	994626	1	Adaptor-BSPP
12	111-9548	1	Damper Kit	41	09-06-214	1	Seal-Dowty
13	111-6814	1	Lever-Control, Pump	44	10-06-032	1	Seal-Dowty
14	111-3336	2	Bar-Switch, Proximity	45	10-06-033	1	Seal-Dowty
15	09273	4	Washer-Spring	46	767606	1	Adaptor-BSPP
17	09544	1	Nut-Nyloc	47	111-5049	1	Fitting-Straight
18	09441	7	Nut-Hex, NI	48	111-5150	1	Fitting-Straight
19	105-0023	2	Switch-Proximity	49	HY03355	1	Washer-Plated
20	111-4973	1	HYD Tandem Pump ASM	51	111-4586	1	Screw-HSH
20:99	70-06-153	1	Seal Kit ●	53	65-01-559	1	Washer-Space
22	ZDH1L035U	2	Screw-HH	54	ZWP1F000U	1	Washer-Plain
23	ZDH1E020U	4	Screw-HH	55	09474	2	Washer-Spring
24	03162	4	Screw-HH	56	09267	2	Washer
25	HY103653	4	Screw-HH	57	111-9774	1	Sleeve-Rubber ●
26	111-3676	2	Spacer-Switch, Proximity	58	HY3966	1	Tie-Cable ●
27	111-3260-03	1	Adjuster-Switches				

● Not illustrated

Hydraulic Pump Assembly No. 111-6774



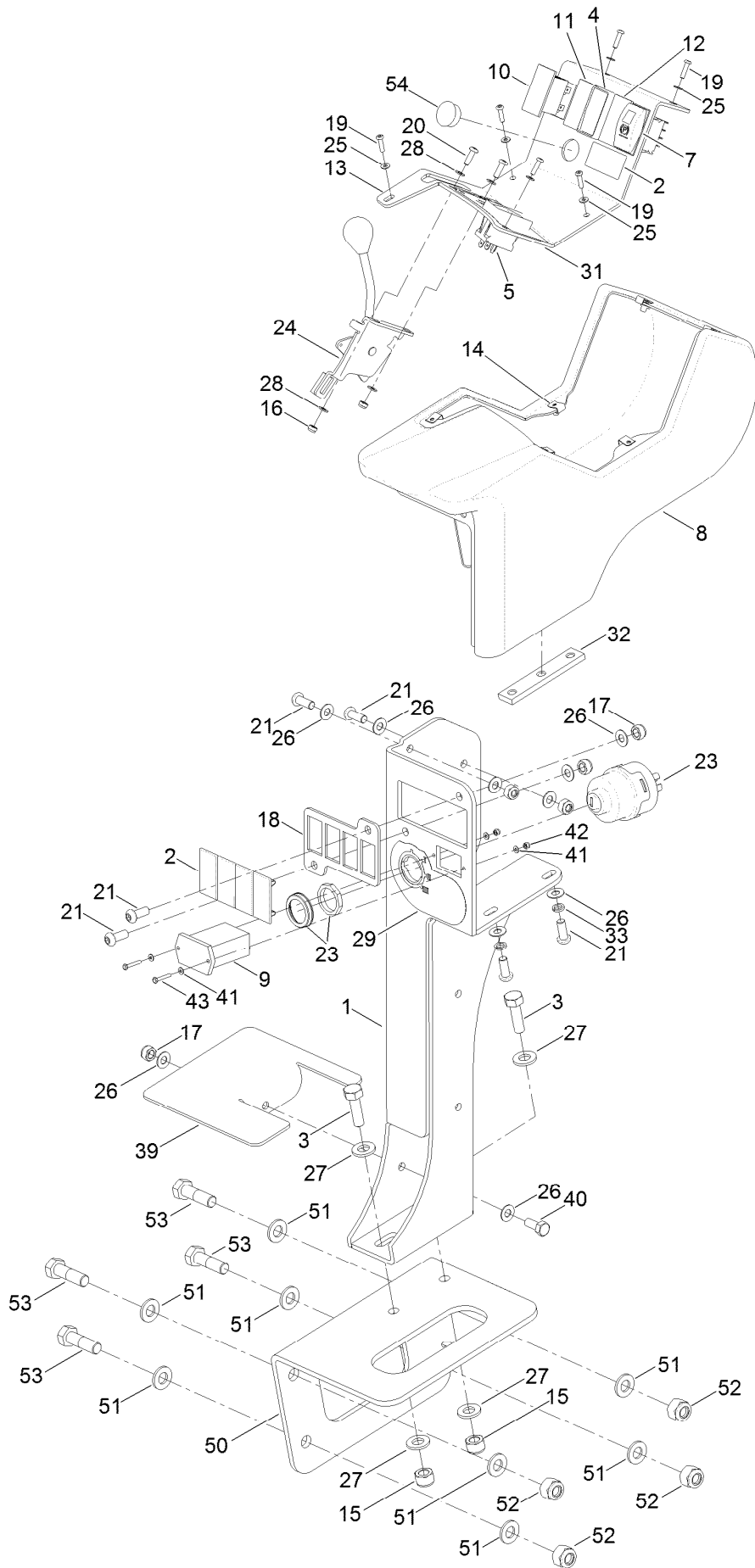
46 = ITEMS INCLUDED IN SEAL KIT

Hydraulic Pump Assembly No. 111-6774 (continued)

<i>Ref.</i>	<i>Part Number</i>	<i>Qty.</i>	<i>Description</i>	<i>Ref.</i>	<i>Part Number</i>	<i>Qty.</i>	<i>Description</i>
1	115-8092	1	Swashplate	41		1	Plug-Flush ●
2	75-0400	1	Plate-Thrust	41:1	111-4928	1	O-Ring
3	110-6483	2	Bearing Kit	46	110-6481	1	Seal Kit
4	110-6471	1	Seal-Lip	46:1	110-6471	1	Seal-Lip
5	95-4400	1	Washer-Backup	46:2	28-3570	1	O-Ring
6	69-3200	2	Ring-Retaining	46:3	110-6476	1	Gasket-Cap, End
7	111-9640	1	Shaft-Auxiliary	46:4	131-8631	2	O-Ring
8	110-6472	1	Cylinder Block Kit ASM	46:5	25-2630	1	Ring-Back Up
9	110-6473	1	Plate-Valve (Clockwise)	46:6	110-6498	1	O-Ring
10	131-3800	1	Pin-Slotted	46:7	75-0240	2	O-Ring
25	69-3170	2	Ring-Retaining	46:8	84-0560	2	O-Ring
26	75-0460	1	Bearing-Ball	46:9	110-6478	1	Seal-Lip
29	110-6497	1	Neutral Return Arm ASM	46:10	84-0430	2	O-Ring
29:1	110-6494	1	Bearing-Cam	46:11	131-8614	2	O-Ring
29:2	110-3056	1	Ring-Retaining				

● Not serviced separately

Control Panel Assembly

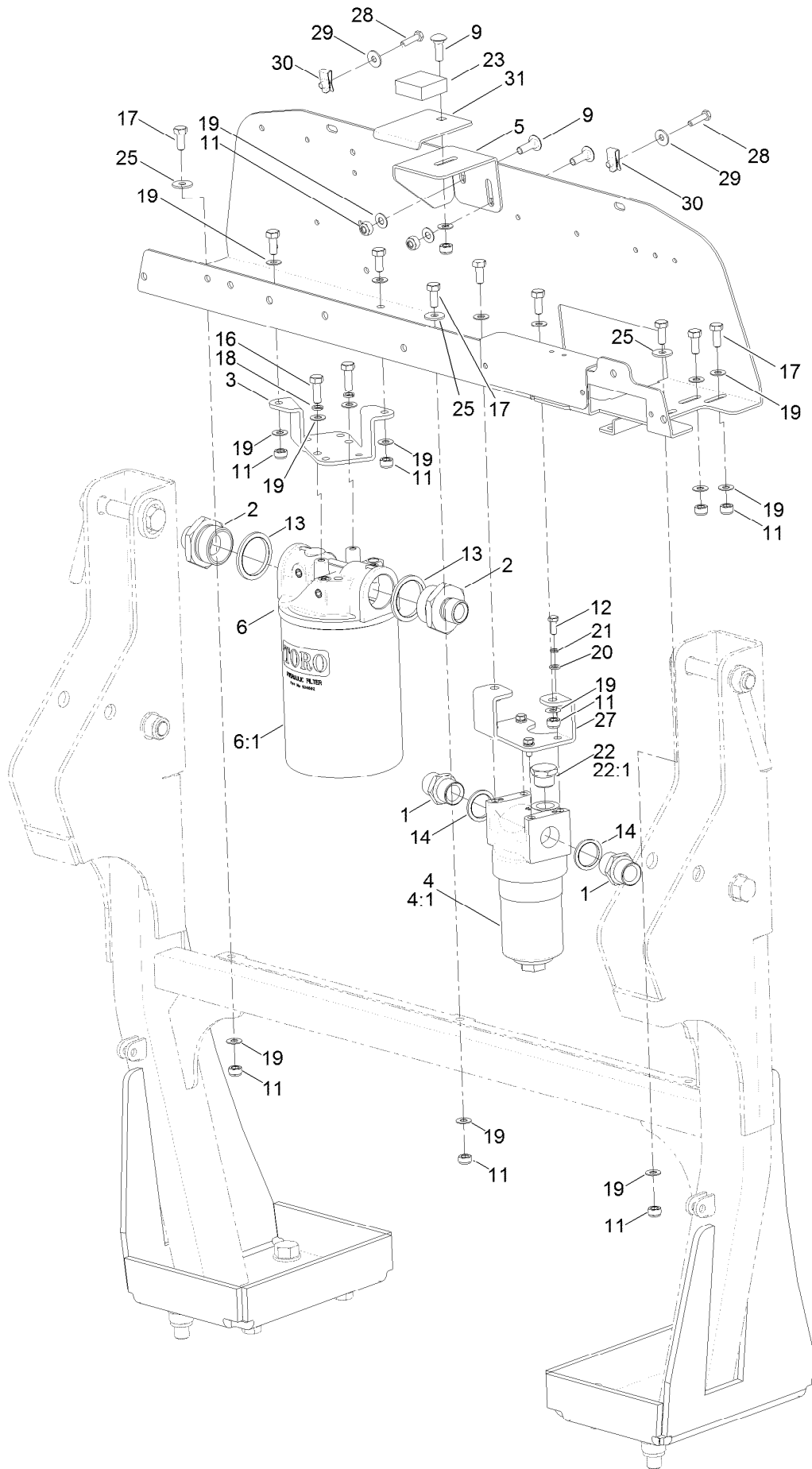


Control Panel Assembly (continued)

<i>Ref.</i>	<i>Part Number</i>	<i>Qty.</i>	<i>Description</i>	<i>Ref.</i>	<i>Part Number</i>	<i>Qty.</i>	<i>Description</i>
1	111-8496-03	1	Control Arm ASM	23:1	74-09-017	1	Key-Ignition ●
2	111-2337	5	Blank-Switch	23:2	74-09-010	1	Switch-Cover ●
3	09394	2	Bolt	24	111-7090	1	Cable-Throttle
4	111-4892	1	Switch-Cutters	25	09658	6	Washer
5	111-7101	1	Switch-Lift, Lower	26	09475	10	Washer
7	111-2254	1	Switch-Parking Brake, On-None-On	27	HY09485	4	Washer-Plain
8	111-3004	1	Pod-Control	28	09470	4	Washer
9	75-6820	1	Hourmeter	29	111-3344	1	Decal-Switch, Ignition
10	111-2333	1	Indicator-Illuminated	31	111-5233	1	Decal-Panel, Control
11	111-2334	1	Indicator-Illuminated	32	111-3281	1	Bar-Nut
12	111-3026	1	Indicator-Illuminated	33	03469	2	Washer-Spring
13	111-5229-03	1	Panel-Instrument	39	111-5239-03	1	Plate-Filler
14	111-3079	6	U-Nut	40	09368	1	Screw-HH
15	09447	2	Nut	41	HY09697	4	Washer-Plain
16	09430	2	Nut-Nyloc	42	HY09698	2	Nut-Nyloc
17	09441	5	Nut-Hex, NI	43	09696	2	Setscrew
18	111-8494-03	1	Plate-Switch	50	111-5033-03	1	Plate-Mounting
19	111-3473	6	Screw-Button	51	ZWP1L000U	8	Washer-Plain
20	111-3381	2	Screw-HSBH	52	ZNN1L000U	4	Nut-Nyloc
21	ZHS1H020U	6	Screw-HSBH	53	09415	4	Screw-HH
23	74-09-009	1	Switch-Ignition	54	111-5599	1	Plug-Tube
				99	98-9321	1	Ring-Key ●

● Not illustrated

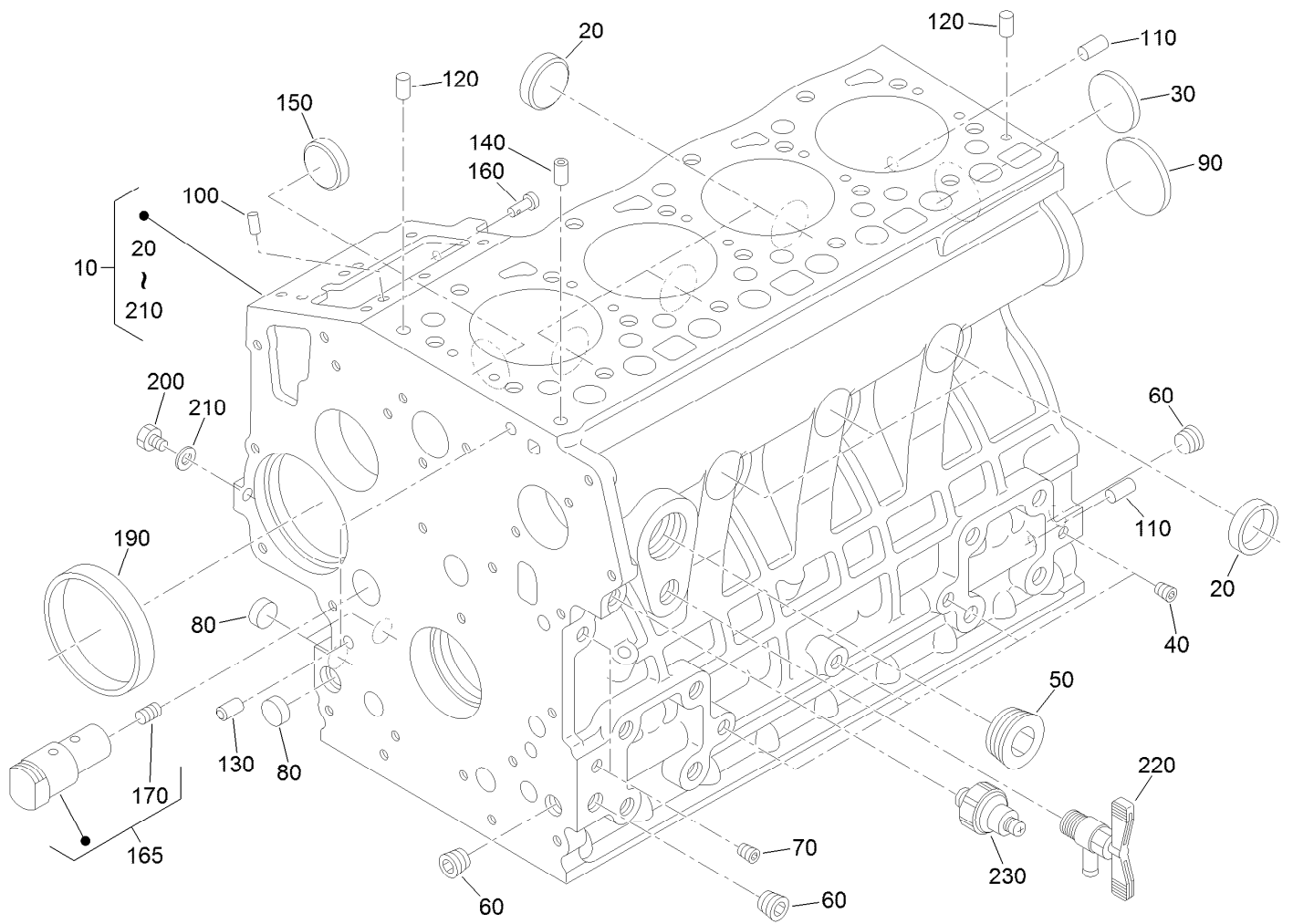
Filter Assembly



Filter Assembly (continued)

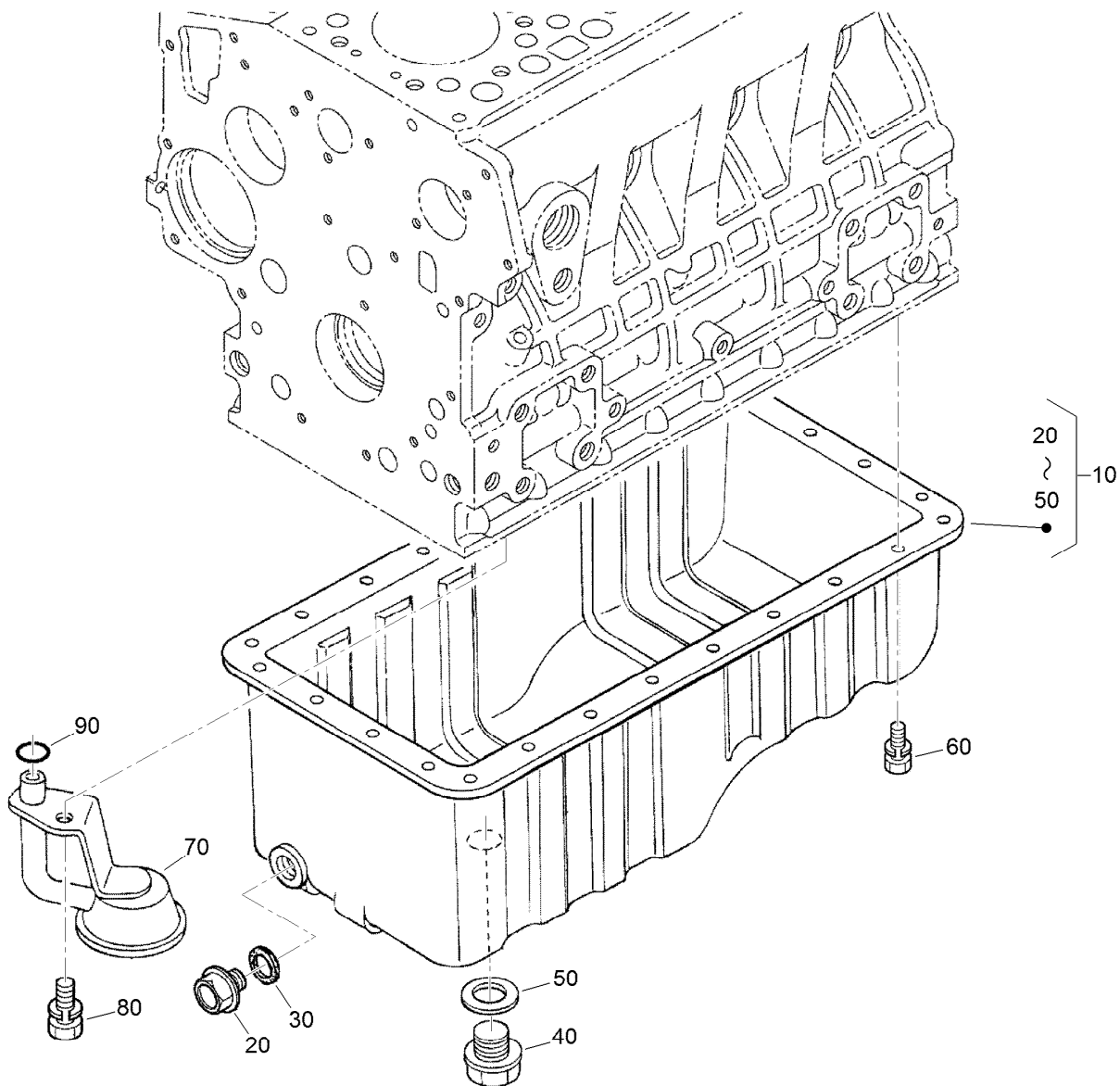
<i>Ref.</i>	<i>Part Number</i>	<i>Qty.</i>	<i>Description</i>	<i>Ref.</i>	<i>Part Number</i>	<i>Qty.</i>	<i>Description</i>
1	10-06-044	2	Adaptor-BSP	17	09368	9	Screw-HH
2	25-06-050	2	Adaptor	18	03469	2	Washer-Spring
3	134-0449-03	1	Bracket-Filter	19	09475	20	Washer
4	924708	1	Pressure Filter ASM	20	09472	4	Washer-Plain
4:1	924709	1	Element-Filter, Pressure	21	09474	4	Washer-Spring
4:2	924710	1	Indicator-Filter, Pressure ●	22	111-3926	1	Plug
5	111-6095-03	1	Plate-Latch, Bulkhead	22:1	63-06-111	1	Seal-O Ring
6	111-7508	1	Return Filter ASM	23	488023	1	Pad-Foam, Short
6:1	924692	1	Element-Filter	25	09267	3	Washer
9	09373	3	Bolt-Coach	27	111-5039-03	1	Bracket-Filter, Charge
11	09441	12	Nut-Hex, NI	28	09364	2	Screw-HH
12	09362	4	Screw-HH	29	09262	2	Washer
13	10-06-035	2	Seal-Dowty	30	410076	2	Nut
14	10-06-033	2	Seal-Dowty	31	111-6096-03	1	Plate-Latch, Bonnet
16	03162	2	Screw-HH				

● Not illustrated



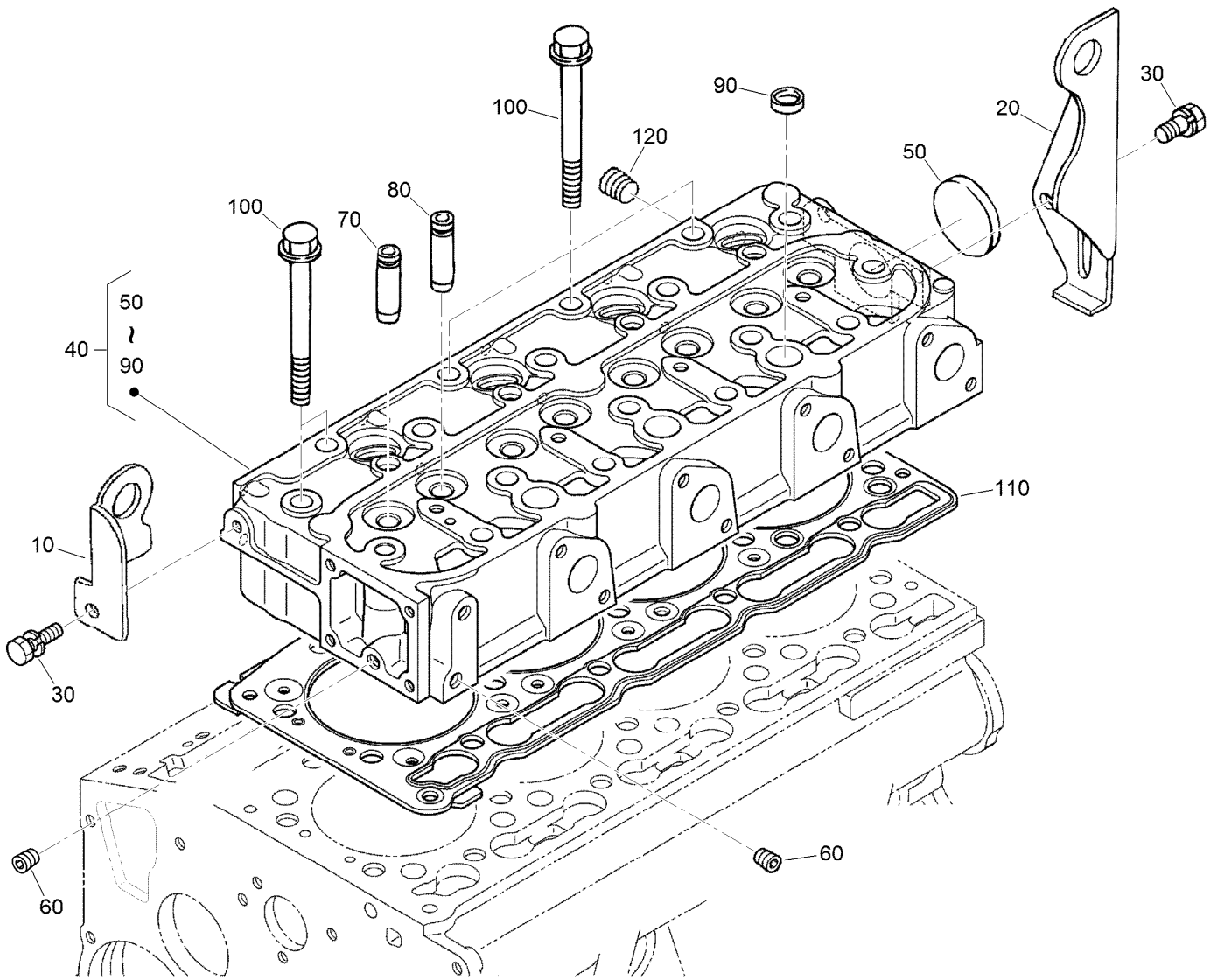
Crankcase Assembly

<i>Ref.</i>	<i>Part Number</i>	<i>Qty.</i>	<i>Description</i>	<i>Ref.</i>	<i>Part Number</i>	<i>Qty.</i>	<i>Description</i>
10	120-2558	1	Crankcase ASM	130	98-9387	2	Pin-Pipe
20	98-9398	6	Cap-Sealing	140	98-9539	1	Pin-Pipe
30	98-7539	1	Cap-Sealing	150	98-9599	1	Plug
40	98-9687	4	Plug	160	105-3796	1	Pin-Spring, Start
50	105-3779	1	Plug	165	130-1237	1	Idler Shaft ASM
60	98-9597	3	Plug	170	98-9675	1	Plug
70	98-7487	2	Plug	190	98-9656	1	Bushing-Governor, Gear
80	98-9379	3	Plug-Expansion	200	120-2559	1	Plug
90	98-9668	1	Plug-Expansion	210	98-7428	1	Gasket
100	98-9375	2	Pin-Straight	220	120-3121	1	Draincock ASM
110	98-9377	2	Pin-Straight	230	98-7764	1	Switch-Oil
120	98-9376	2	Pin-Straight				



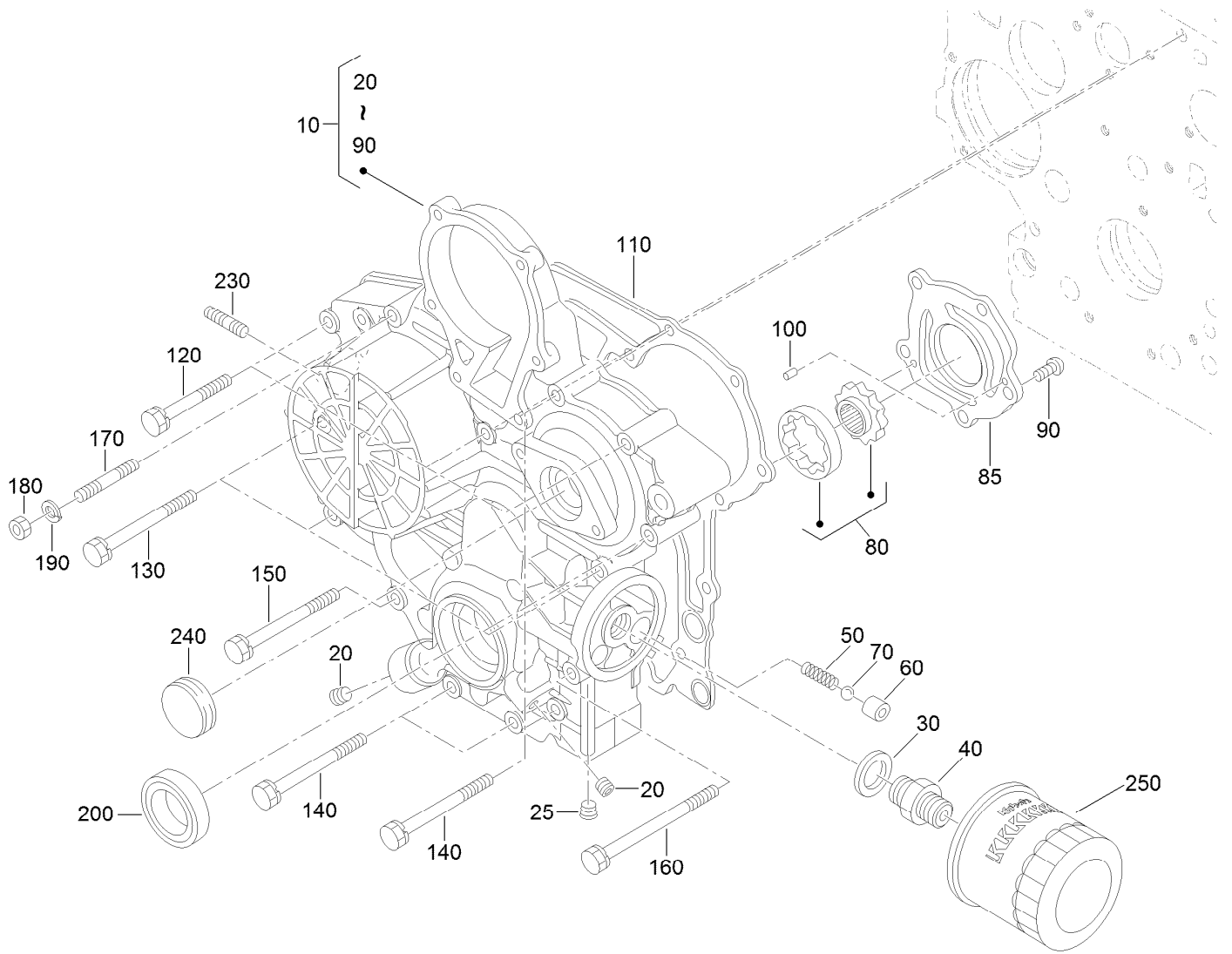
Oil Pan and Oil Pump Assembly

Ref.	Part Number	Qty.	Description
10	130-1283	1	Oil Pan Kit
20	114-8151	1	Plug-Drain
30	98-7524	1	Gasket
40	105-3703	1	Plug-Drain
50	110-9715	1	Gasket-Pan, Oil
60	98-9351	26	Bolt
70	115-4116	1	Filter-Oil
80	98-7526	1	Bolt
90	105-3776	1	O-Ring



Cylinder Head Assembly

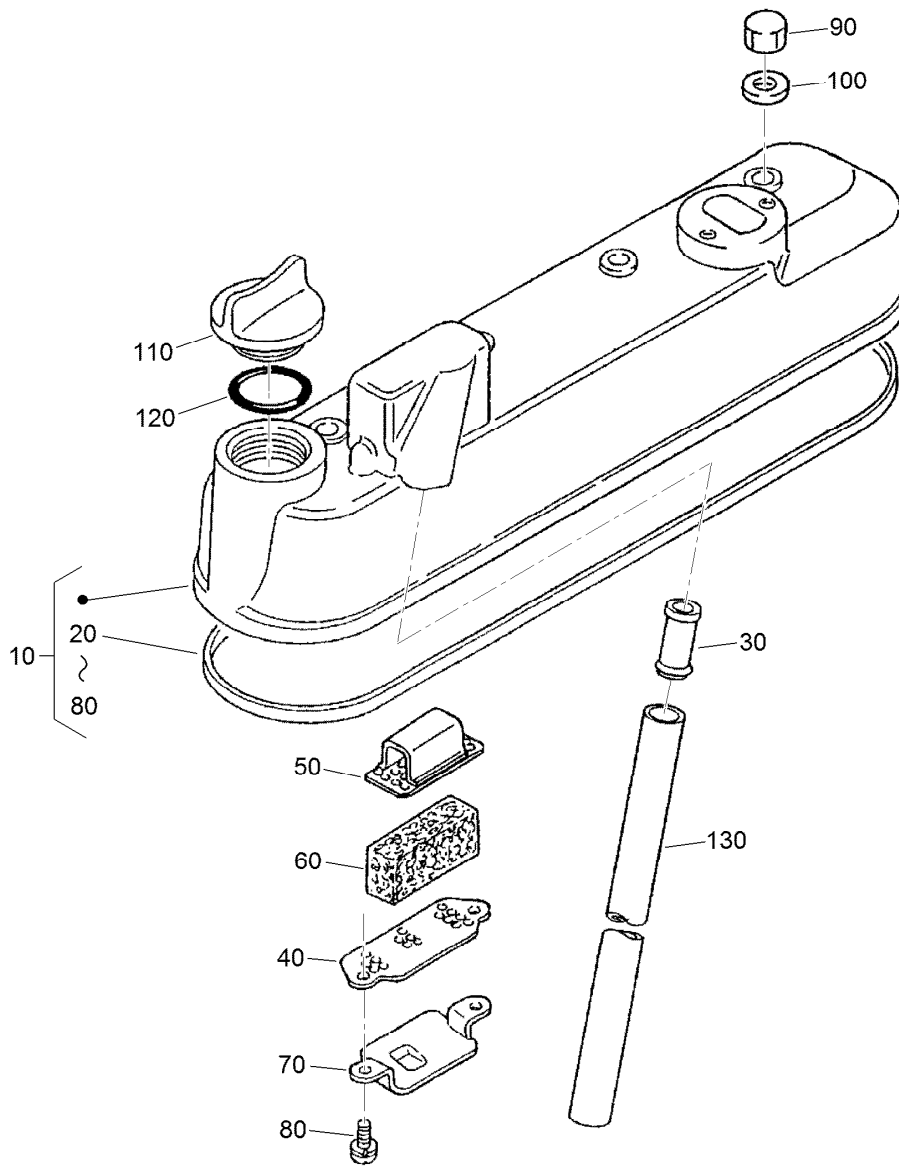
Ref.	Part Number	Qty.	Description
10	130-1231	1	Hook-Engine
20	98-9478	1	Hook-Engine
30	100-9195	2	Bolt
40	130-1382	1	Cylinder Head ASM
50	105-3705	1	Cap-Sealing
60	98-9687	2	Plug
70	107-9066	4	Guide-Valve, Inlet
80	107-9067	4	Guide-Valve, Exhaust
90	98-9389	3	Cap-Sealing
100	98-9479	18	Bolt-Head, Cylinder
110	127-0434	1	Gasket-Head, Cylinder
120	98-9444	1	Plug



Gear Case and Oil Filter Cartridge Assembly

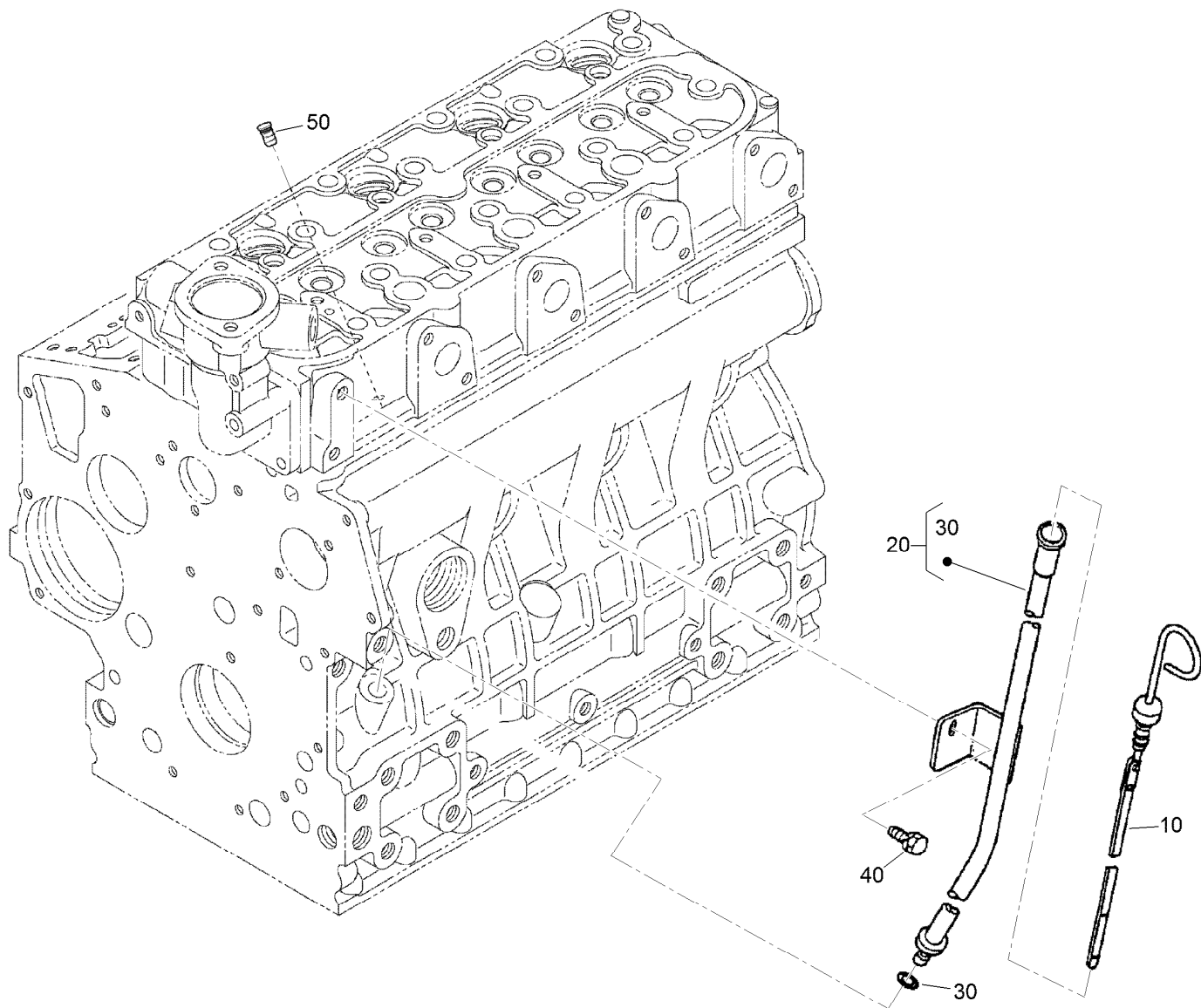
Ref.	Part Number	Qty.	Description
10	130-1243	1	*obs* Gear Case ASM
20	98-9598	2	Plug
25	98-7487	1	Plug
30	98-7562	1	Washer-Plain
40	98-9388	1	Joint-Pipe
50	130-1511	1	Spring
60	130-1510	1	Valve-Relief
70	98-9380	1	Ball
80	130-1508	1	Rotor ASM
85	130-1509	1	Cover-Pump, Oil
90	130-1164	5	Screw-Binding
100	107-9072	2	Pin-Straight
110	98-9633	1	Gasket-Case, Gear

Ref.	Part Number	Qty.	Description
120	100-1765	3	Bolt
130	125-9063	4	Bolt-Sems
140	98-9356	4	Bolt
150	107-9074	1	Bolt
160	98-9586	1	Bolt
170	105-3709	1	Stud
180	100-2203	1	Nut-Flange
190	98-7699	1	Washer-Spring
200	119-8038	1	Seal-Oil
230	105-3710	2	Stud
240	98-9641	1	Cover-Case, Gear
250	108-3841	1	Filter-Oil



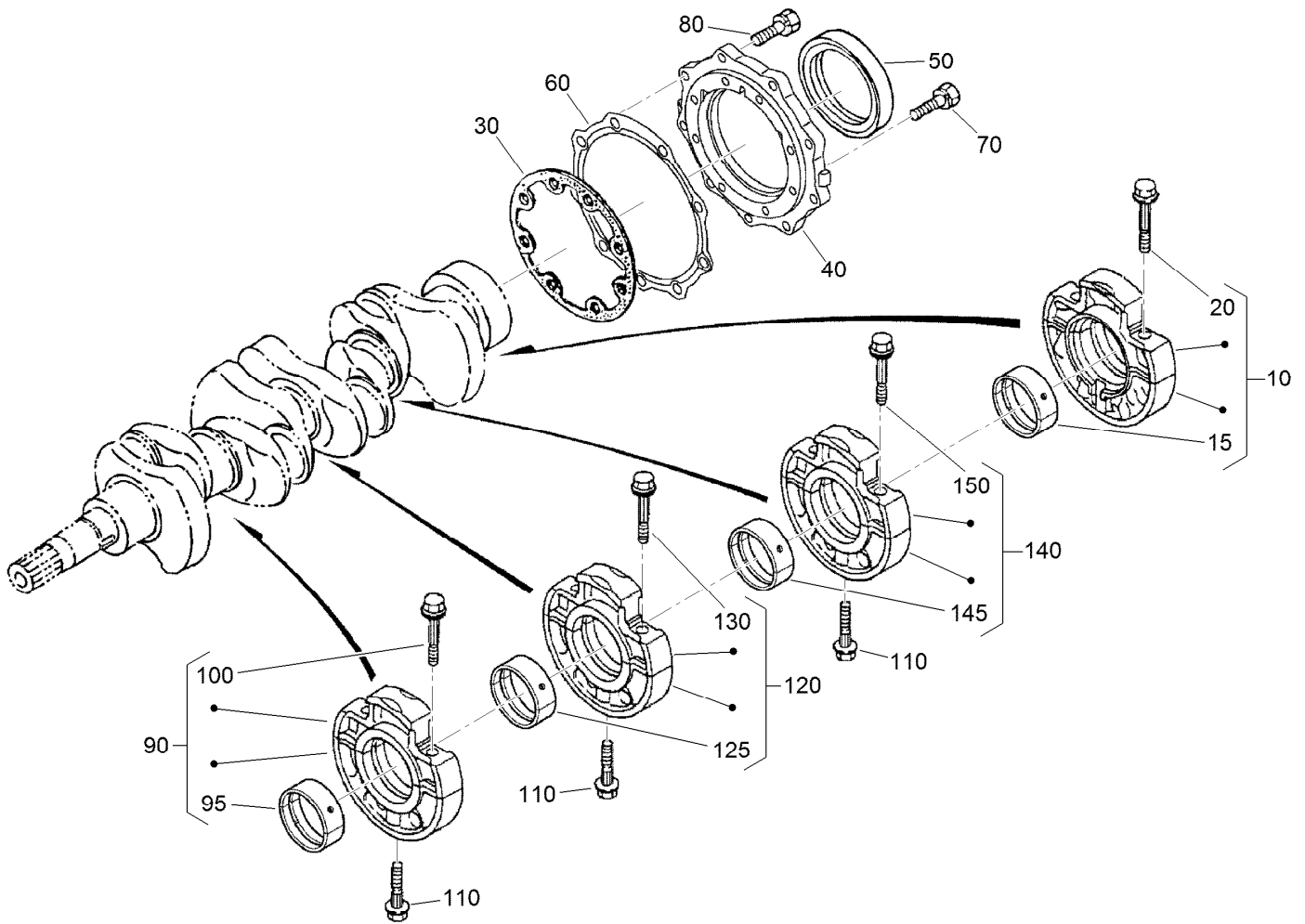
Cylinder Head Cover Assembly

Ref.	Part Number	Qty.	Description
10	105-3711	1	Cylinder Head Cover ASM
20	105-3712	1	Gasket-Cover, Head
30	98-9492	1	Joint-Pipe, Breather
40	98-9488	1	Plate-Element, Breather
50	98-9489	1	Plate-Element, Breather
60	98-9493	1	Element-Breather
70	98-9490	1	Shield-Oil, Breather
80	98-9364	2	Screw (With Washer)
90	98-9455	4	Nut-Cap
100	98-9454	4	Gasket
110	107-9075	1	Plug-Filler, Oil
120	99-3446	1	O-Ring
130	98-9491	1	Pipe-Breather



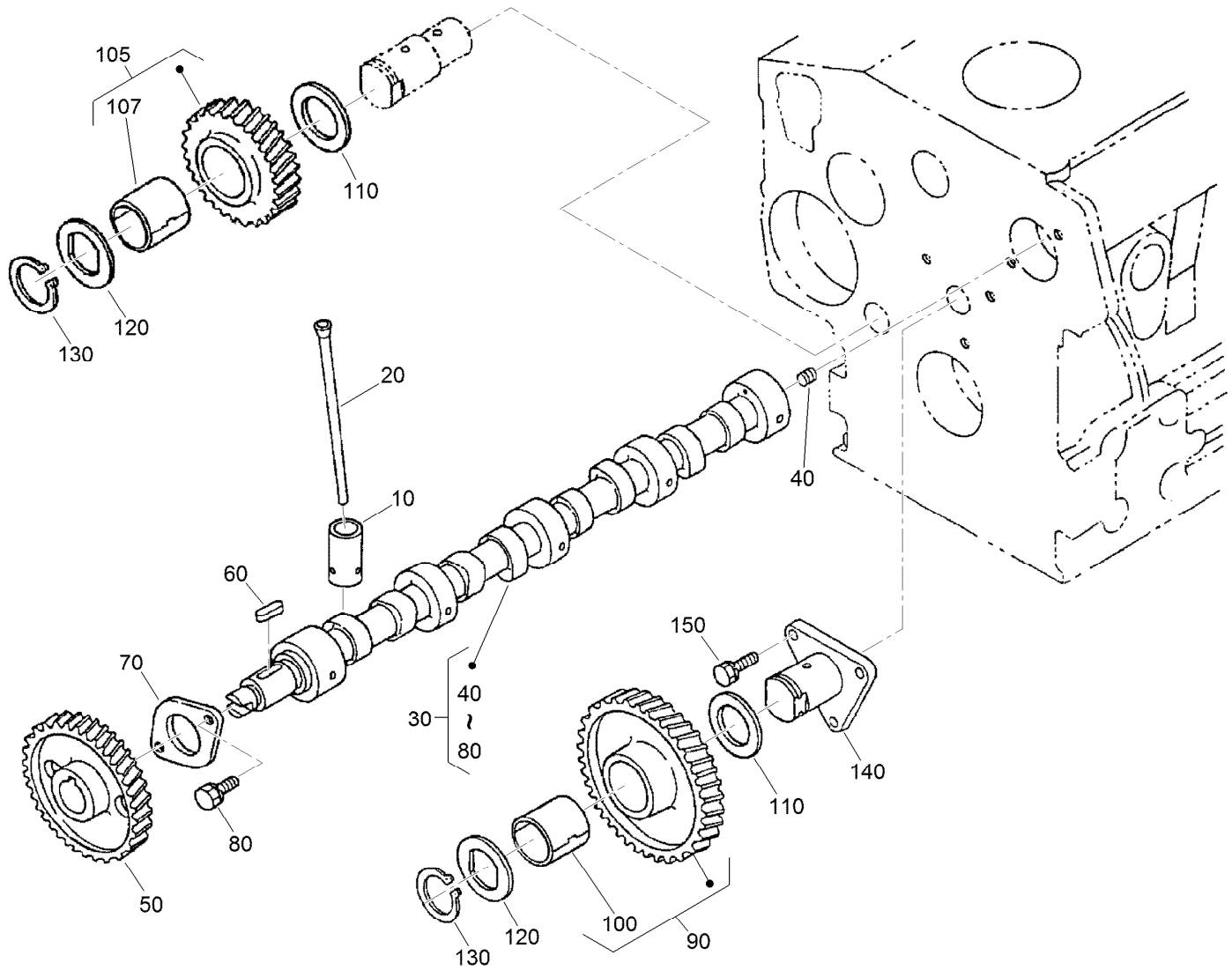
Dipstick and Guide Assembly

<i>Ref.</i>	<i>Part Number</i>	<i>Qty.</i>	<i>Description</i>
10	120-3124	1	Gauge-Oil
20	98-9672	1	Oil Gauge Guide ASM
30	98-9722	1	O-Ring
40	100-9195	1	Bolt
50	110-3720	1	Plug-Gauge, Oil



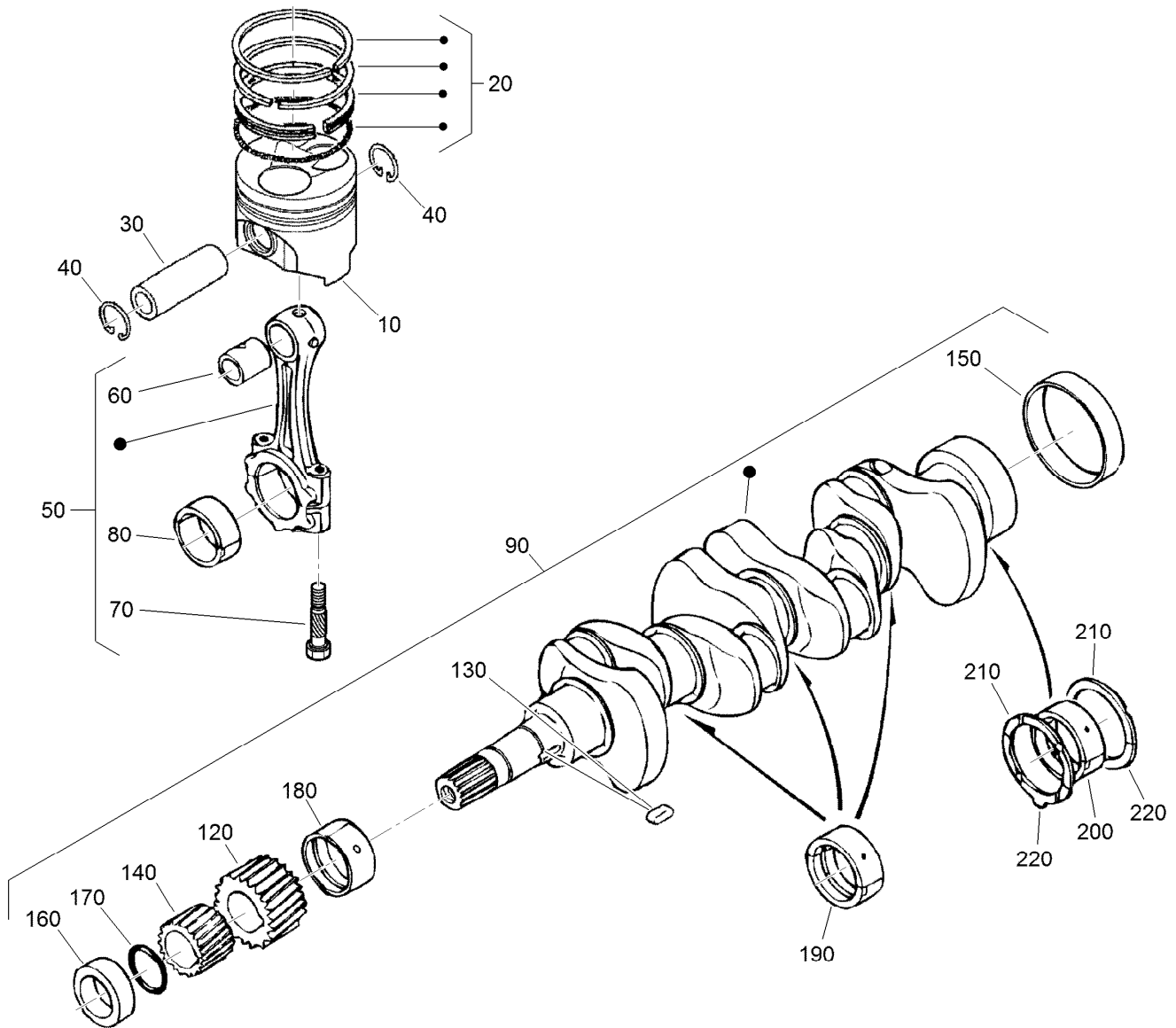
Main Bearing Case Assembly

<i>Ref.</i>	<i>Part Number</i>	<i>Qty.</i>	<i>Description</i>	<i>Ref.</i>	<i>Part Number</i>	<i>Qty.</i>	<i>Description</i>
10	112-7026	1	Wheel Bearing Case ASM	95	98-9524	1	Metal-Crankshaft (STD Set)
15	115-4121	1	Metal-Crankshaft (STD)	100	98-9484	2	Bolt-Case, Bearing
20	98-9484	2	Bolt-Case, Bearing	110	98-9485	3	Bolt-Case, Bearing
30	127-0440	1	Gasket-Case, Bearing	120	115-4107	1	Main Bearing Case ASM
40	112-7046	1	Cover-Case, Bearing	125	98-9524	1	Metal-Crankshaft (STD Set)
50	112-0180	1	Seal-Oil	130	98-9484	2	Bolt-Case, Bearing
60	112-7037	1	Gasket-Cover, Case	140	130-1265	1	Main Bearing Case ASM
70	127-0441	8	Bolt	145	98-9524	1	Metal-Crankshaft (STD Set)
80	127-0442	9	Bolt	150	98-9484	2	Bolt-Case, Bearing
90	115-4106	1	Main Bearing Case ASM				



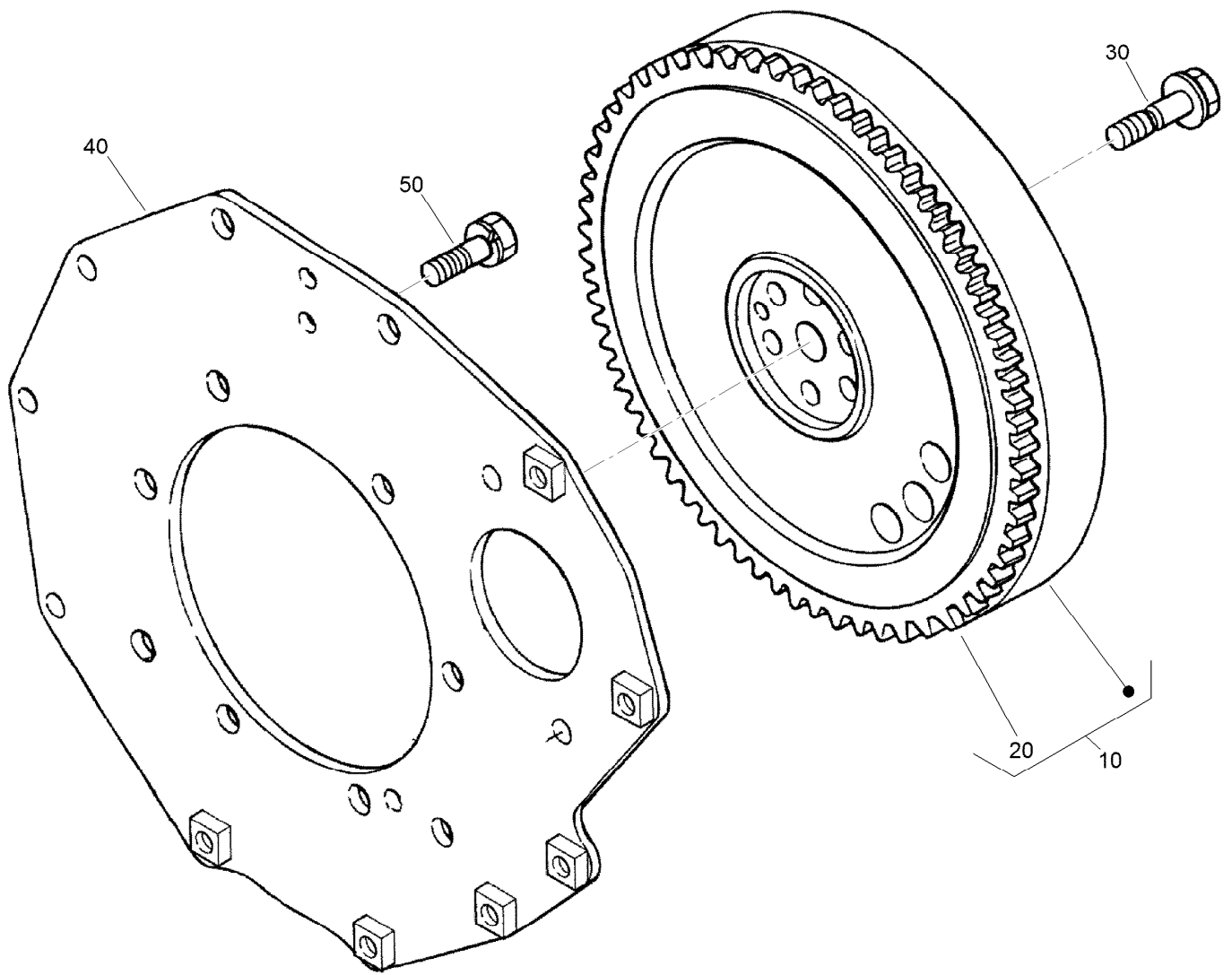
Camshaft and Idle Gear Shaft Assembly

<i>Ref.</i>	<i>Part Number</i>	<i>Qty.</i>	<i>Description</i>	<i>Ref.</i>	<i>Part Number</i>	<i>Qty.</i>	<i>Description</i>
10	112-0185	8	Tappet	100	117-7585	1	Bushing-Gear, Idle
20	127-0421	8	Rod-Push	105	130-1259	1	Idler Gear ASM
30	120-3116	1	Camshaft ASM	107	117-7585	1	Bushing-Gear, Idle
40	110-3729	1	Ball	110	98-9535	1	Collar-Gear, Idle
50	98-9512	1	Gear-Cam	120	98-9536	1	Collar-Gear, Idle
60	98-9378	1	Key-Feather	130	98-9534	1	Circlip-Gear, Idle
70	98-9510	1	Stopper-Camshaft	140	98-9533	1	Shaft-Gear, Idle
80	98-7692	2	Bolt	150	98-7692	3	Bolt
90	117-7584	1	Idler Gear ASM				



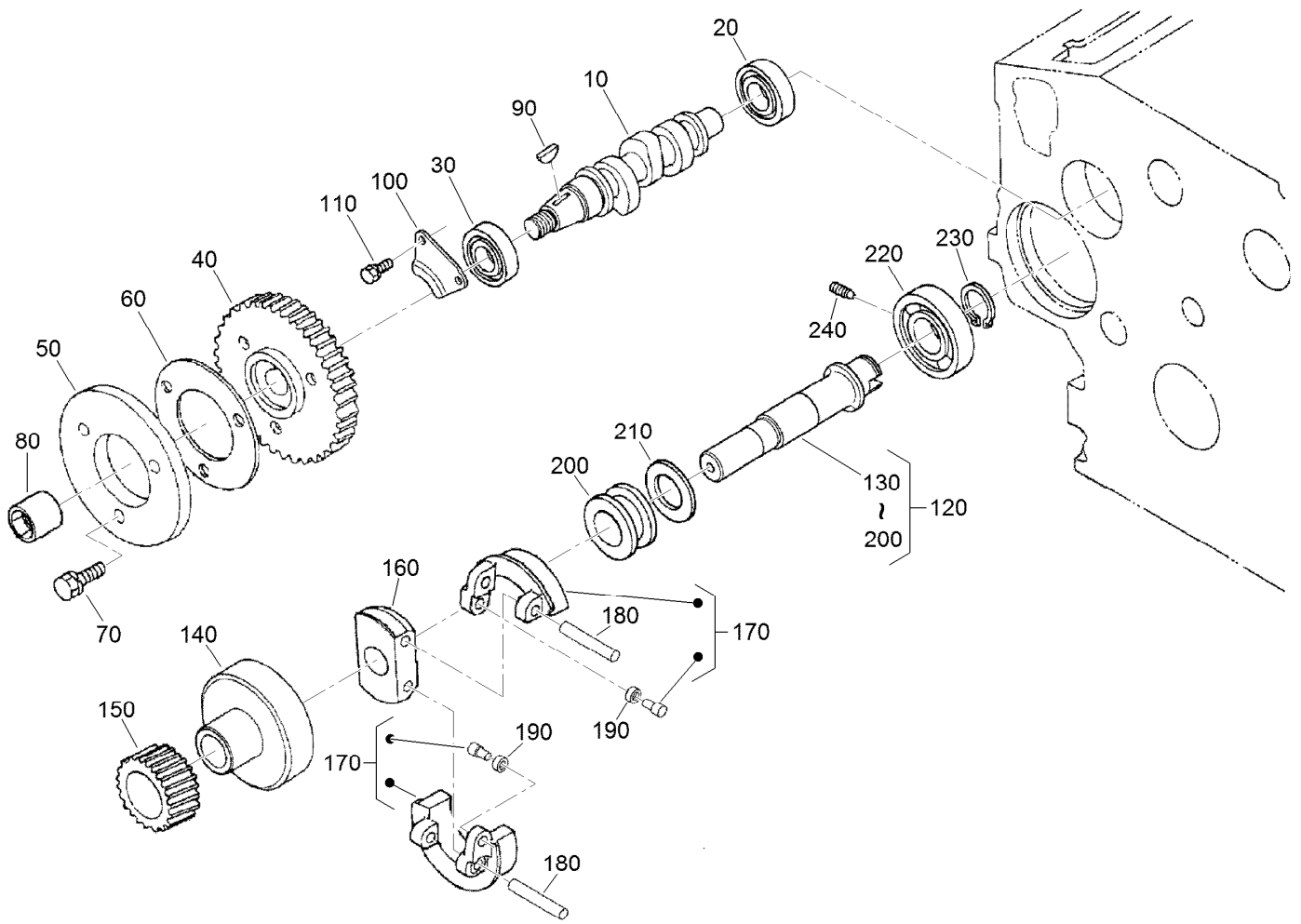
Piston and Crankshaft Assembly

Ref.	Part Number	Qty.	Description	Ref.	Part Number	Qty.	Description
10	112-8404	4	Piston (STD)	160	127-0444	1	Collar-Crankshaft
10	112-8414	4	Piston (+0.5Mm)	170	105-3783	1	O-Ring
20	98-9551	4	Piston Ring ASM (STD)	180	112-7005	1	Bearing-Main (STD)
20	108-1404	4	Piston Ring ASM (+0.5Mm)	180	98-9528	1	Bearing-Main (-0.2Mm)
30	98-9513	4	Pin-Piston	180	130-1274	1	Metal-Crankshaft (-0.40Mm)
40	98-9514	8	Circlip-Pin, Piston	190	98-9524	3	Metal-Crankshaft (STD Set)
50	117-7586	4	Connecting Rod ASM	190	127-0433	3	Metal-Crankshaft (-0.2Mm)
60	115-3014	4	Bushing-Pin, Piston	190	98-9531	3	Bearing-Main (0.4Mm)
70	98-9517	8	Bolt-Rod, Connecting	200	115-4121	1	Metal-Crankshaft (STD)
80	98-9553	4	Bearing-Rod (STD)	200	112-7039	1	Metal-Crankshaft (0.2Mm)
80	117-7587	4	Metal-Crankpin (-0.2Mm)	200	112-7040	1	Metal-Crankshaft (-0.4Mm)
80	117-7588	4	Metal-Crankpin (-0.4Mm)	210	98-9413	2	Bearing-Thrust (STD)
90	120-2561	1	Crankshaft ASM	210	127-0416	2	Metal-Side (+0.2Mm)
120	117-7561	1	Gear-Crankshaft	210	127-0417	2	Metal-Side (+0.40Mm)
130	98-9666	1	Key	220	98-9688	2	Bearing-Thrust (STD)
140	127-0445	1	Gear-Drive, Oil Pump	220	127-0437	2	Metal-Side (+0.2Mm)
150	98-9522	1	Sleeve-Crankshaft	220	127-0438	2	Metal-Side (+0.40Mm)



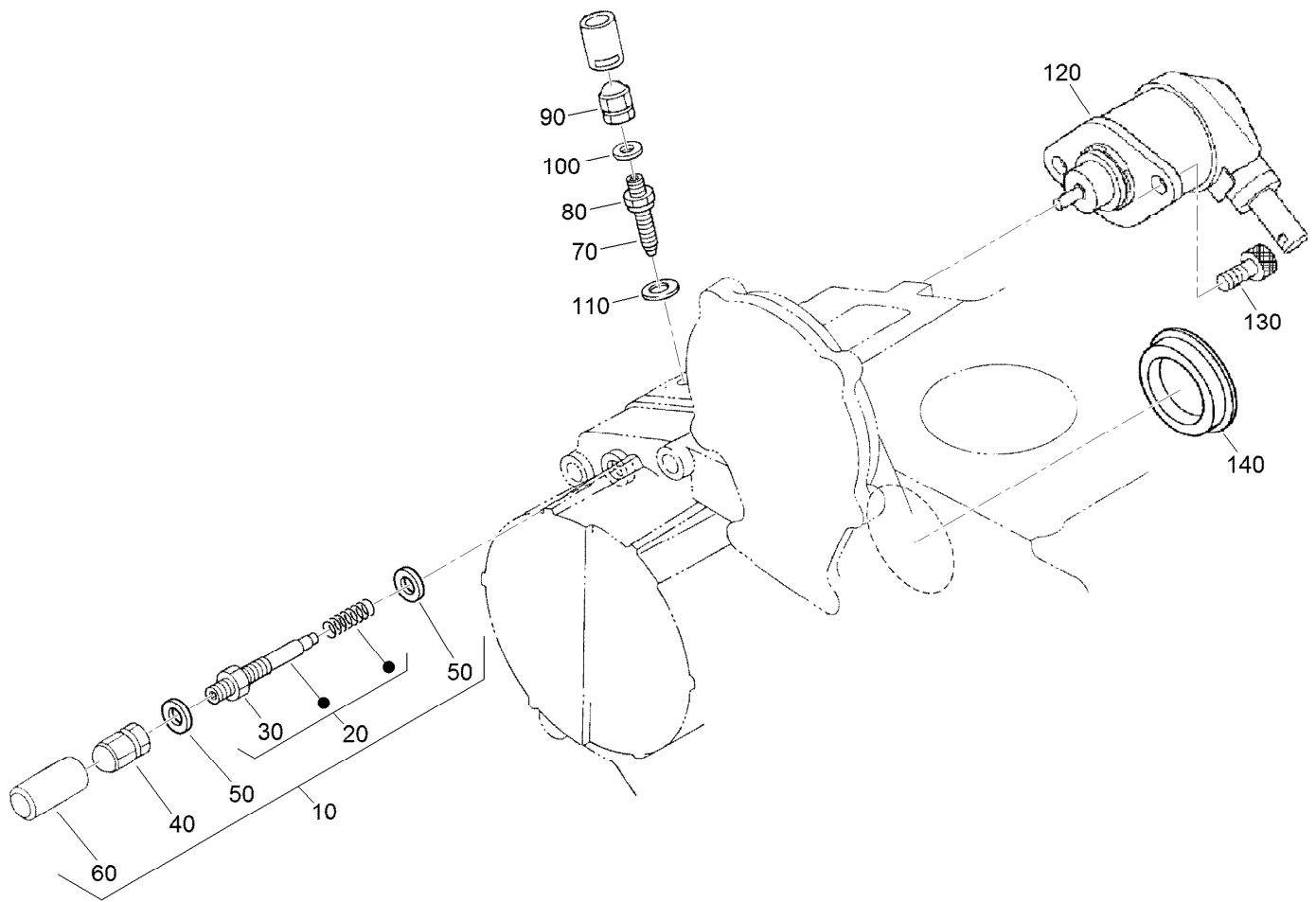
Flywheel Assembly

<i>Ref.</i>	<i>Part Number</i>	<i>Qty.</i>	<i>Description</i>
10	105-3721	1	Flywheel ASM
20	115-3015	1	Gear-Ring
30	98-9537	6	Bolt-Flywheel
40	98-9486	1	Plate-End, Rear
50	98-9392	8	Bolt



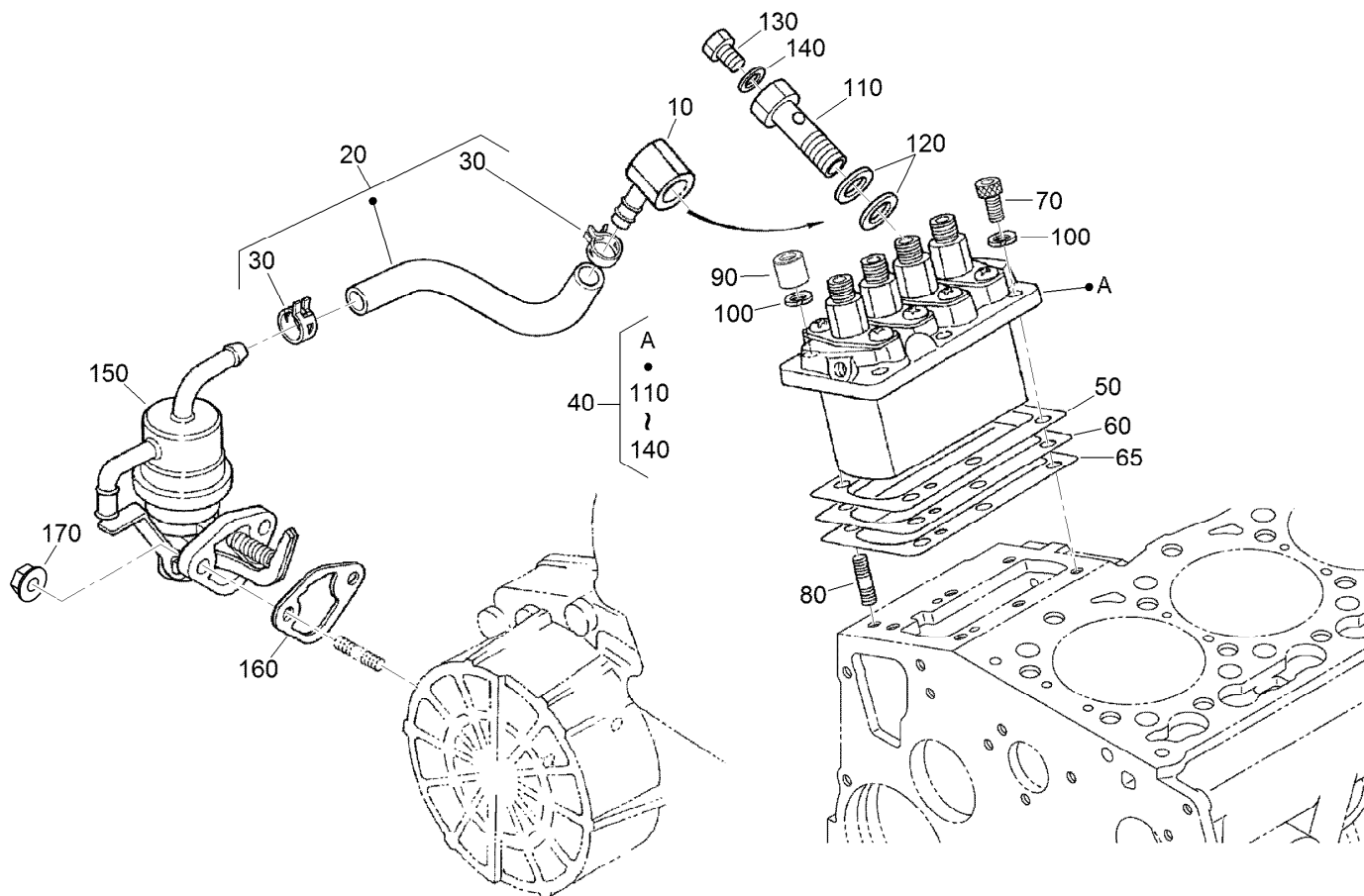
Fuel Camshaft and Governor Shaft Assembly

<i>Ref.</i>	<i>Part Number</i>	<i>Qty.</i>	<i>Description</i>	<i>Ref.</i>	<i>Part Number</i>	<i>Qty.</i>	<i>Description</i>
10	105-3723	1	Camshaft-Fuel	130	105-3725	1	Shaft-Governor
20	107-9077	1	Bearing-Ball	140	98-9562	1	Holder-Gear, Governor
30	107-9078	1	Bearing-Ball	150	98-9673	1	Gear-Governor
40	98-9669	1	Gear-Pump, Injection	160	98-9561	1	Holder-Weight, Governor
50	130-1239	1	Cam-Fuel	170	130-1240	2	Governor Weight ASM
60	98-9548	1	Washer	180	98-9560	2	Shaft-Weight, Governor
70	98-9350	3	Bolt	190	98-9692	2	Roller
80	130-1512	1	Nut	200	98-9563	1	Sleeve-Governor
90	98-9595	1	Key-Woodruff	210	98-9564	1	Washer-Thrust
100	98-9511	1	Stopper-Fuel, Camshaft	220	107-9079	1	Bearing-Ball
110	98-7692	2	Bolt	230	98-9657	1	Circlip-Shaft, Governor
120	130-1266	1	Governor Shaft ASM	240	98-9565	1	Screw-Set



Idle Apparatus and Stop Solenoid Assembly

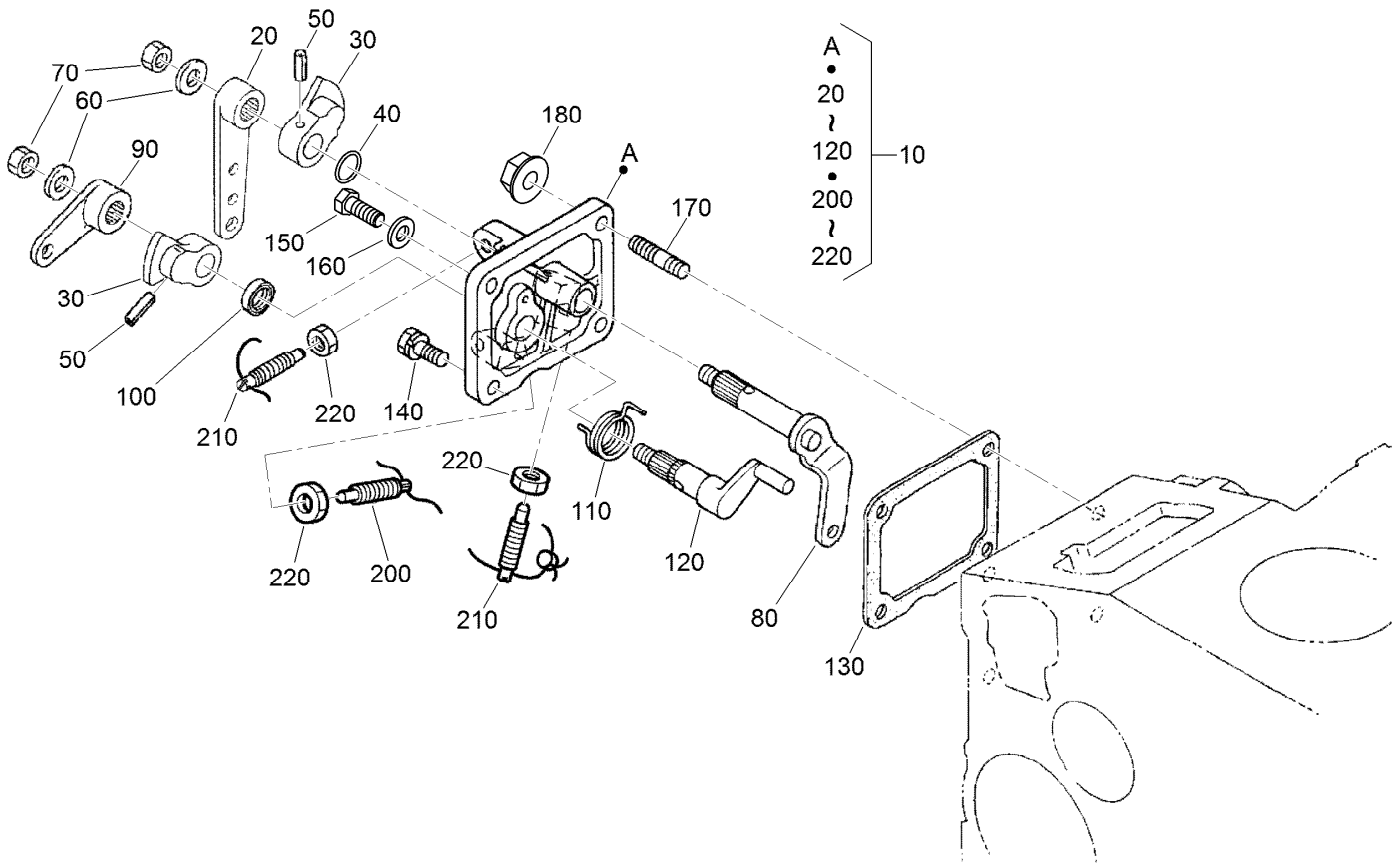
<i>Ref.</i>	<i>Part Number</i>	<i>Qty.</i>	<i>Description</i>
10	98-9678	1	Idle Apparatus ASM
20	112-7014	1	Adjusting Bolt ASM
30	98-9439	1	Nut
40	112-0181	1	Nut
50	98-7654	2	Gasket
60	98-7656	1	Cap
70	112-7015	1	Bolt-Adjusting
80	100-2175	1	Nut-Lock
90	112-0181	1	Nut
100	98-7654	1	Gasket
110	107-9081	1	Gasket
120	104-5155	1	Solenoid-Stop
130	130-1155	2	Screw-HSH
140	112-7016	1	Cover-Pump



Injection Pump and Fuel Pump Assembly

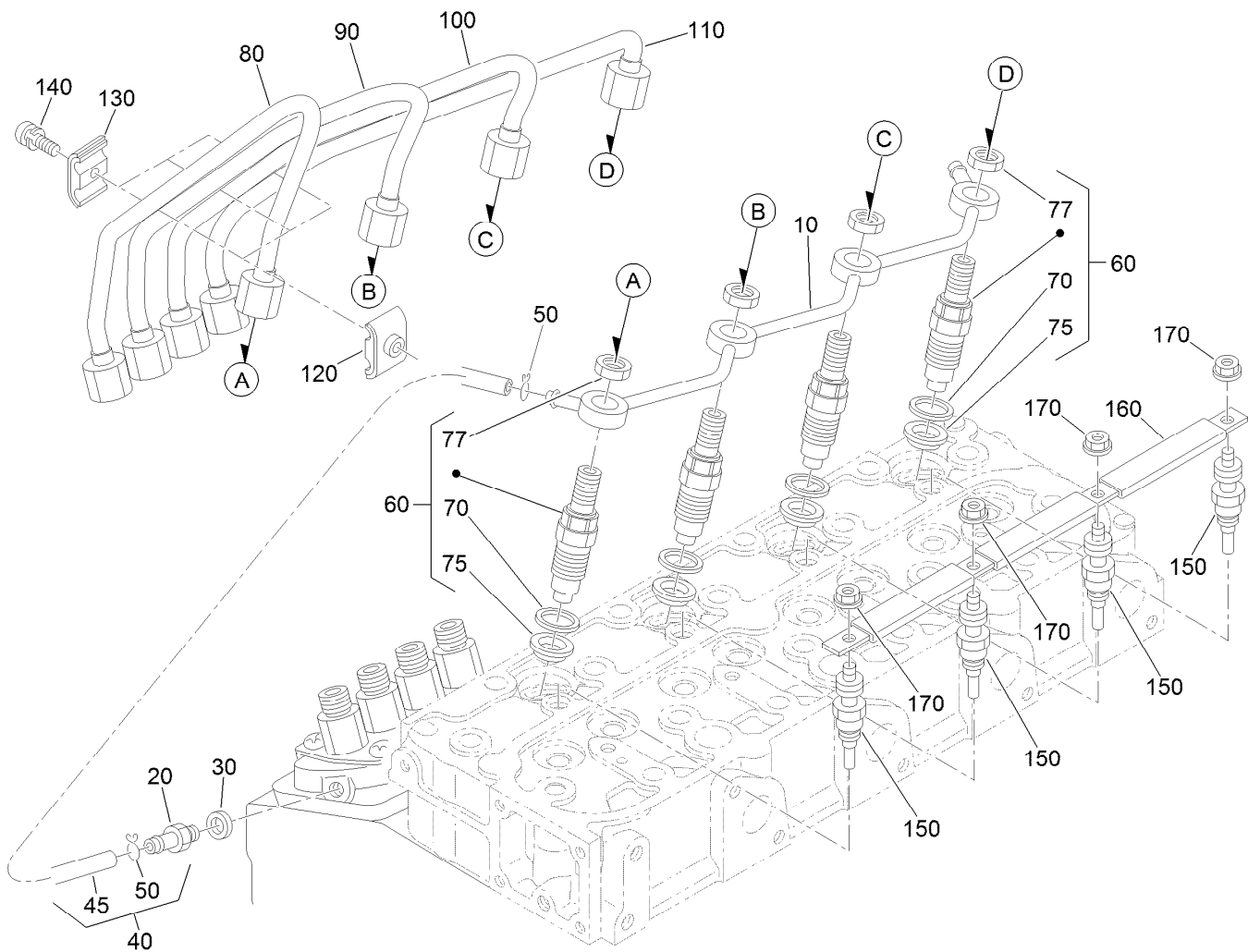
Ref.	Part Number	Qty.	Description
10	98-9596	1	Joint-Eye
20	130-1238	1	Fuel Pipe ASM
30	100-2217	2	Clip-Pipe
40	105-3727	1	Injection Pump ASM
50	105-3728	1	Shim-Pump, Injection (.20Mm)
50	105-3729	1	Shim-Pump, Injection (.25Mm)
60	105-3730	1	Shim-Pump, Injection (.30Mm)
60	115-3016	1	Shim-Pump, Injection (.350Mm)
65	115-3017	1	Shim-Pump, Injection (.175Mm)

Ref.	Part Number	Qty.	Description
70	117-7564	3	Bolt-Hex Soc HD
80	98-9438	3	Stud
90	98-9440	3	Nut-Cap
100	98-7699	3	Washer-Spring
110	98-9464	1	Bolt-Joint
120	98-9445	2	Gasket
130	98-9430	1	Screw
140	98-9446	1	Gasket
150	98-9677	1	Fuel Pump ASM
160	98-9636	1	Gasket-Pump, Fuel
170	100-2203	2	Nut-Flange



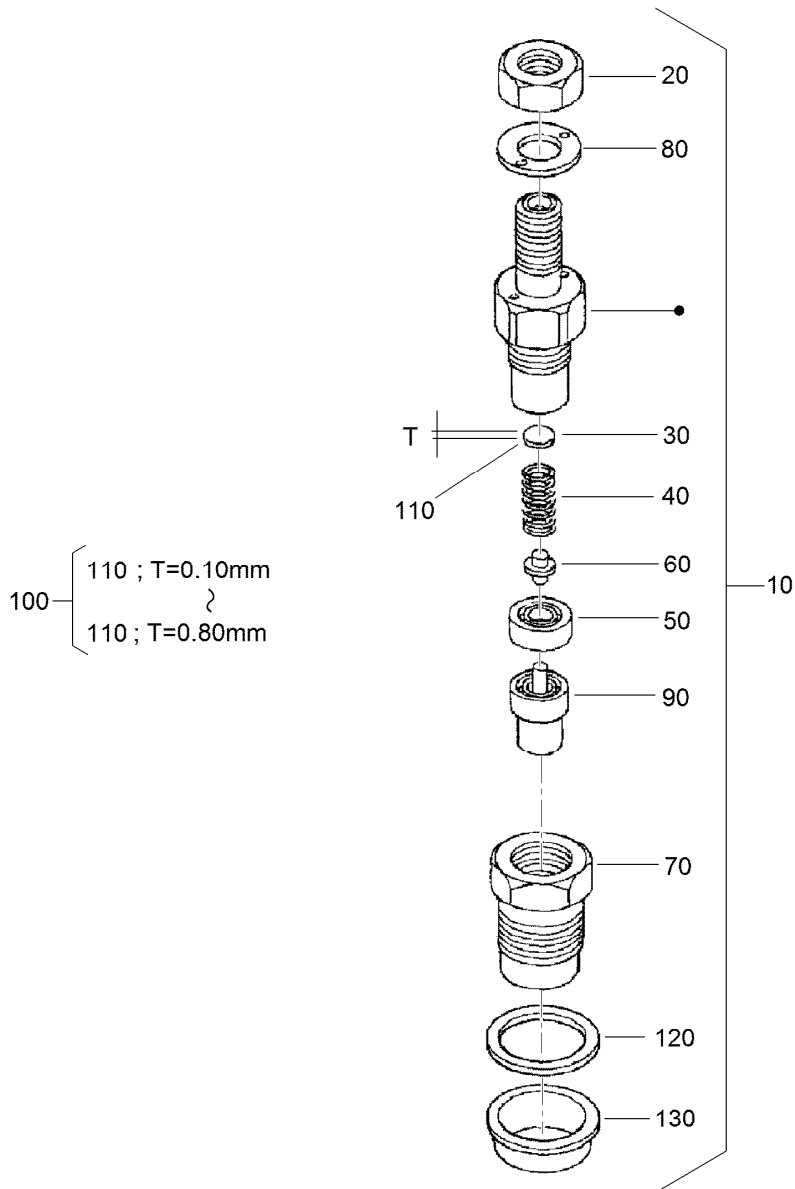
Speed Control Plate Assembly

<i>Ref.</i>	<i>Part Number</i>	<i>Qty.</i>	<i>Description</i>	<i>Ref.</i>	<i>Part Number</i>	<i>Qty.</i>	<i>Description</i>
10	98-9661	1	Control Plate ASM	120	98-9664	1	Shaft-Lever, Stop
20	98-9662	1	Lever-Control, Speed	130	98-9637	1	Gasket
30	98-9572	2	Lever-Control, Speed	140	98-7692	1	Bolt
40	105-3788	1	O-Ring	150	127-0401	1	Bolt-Hex
50	98-7602	2	Pin-Spring	160	98-7654	1	Gasket
60	98-9594	2	Washer-Plain	170	105-3710	2	Stud
70	98-9589	2	Nut	180	100-2203	2	Nut-Flange
80	98-9658	1	Governor Lever ASM	200	117-7565	2	Bolt-Adjusting
90	98-9663	1	Lever-Stop, Engine	210	117-7566	1	Bolt-Adjusting
100	98-7601	1	Seal-Oil	220	98-7572	3	Nut
110	98-9472	1	Spring-Return				



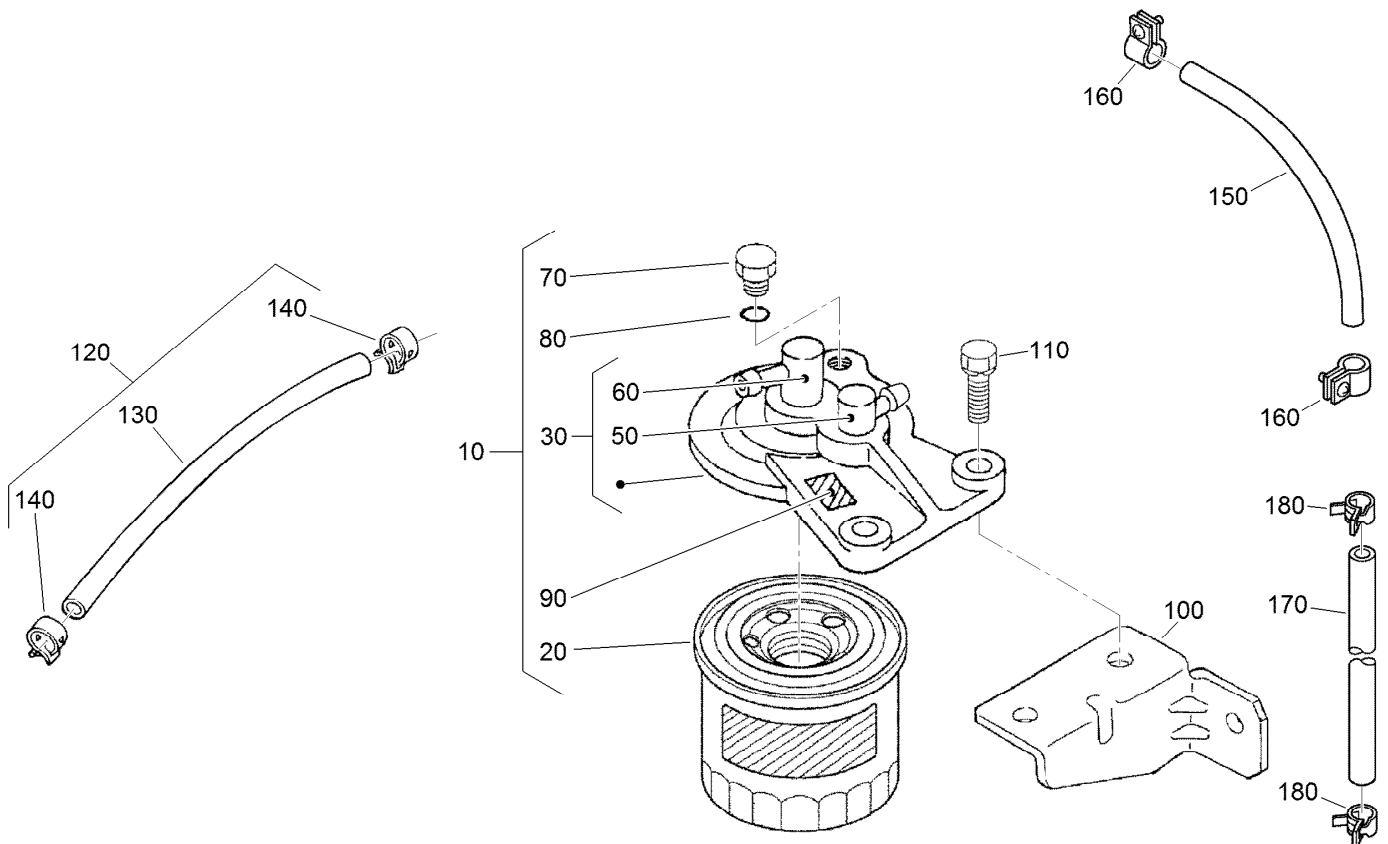
Nozzle Holder and Glow Plug Assembly

<i>Ref.</i>	<i>Part Number</i>	<i>Qty.</i>	<i>Description</i>	<i>Ref.</i>	<i>Part Number</i>	<i>Qty.</i>	<i>Description</i>
10	105-3737	1	Over Flow Pipe ASM	80	98-9653	1	Pipe-Injection
20	98-9431	1	Screw-Bleeder, Air	90	98-9654	1	Pipe-Injection
30	98-7654	1	Gasket	100	98-9655	1	Pipe-Injection
40	98-9420	1	Overflow Pipe ASM	110	105-3738	1	Pipe-Injection
45	112-0182	1	Pipe-Overflow	120	98-7682	3	Clamp-Pipe
50	98-7671	2	Clip-Pipe	130	98-7683	3	Clamp-Pipe
60	108-2866	4	Nozzle Holder Kit	140	98-7684	3	Screw (W/Washer)
70	98-7676	4	Gasket	150	115-3019	4	Plug-Glow
75	98-7677	4	Seal-Heat	160	105-3739	1	Cord-Plug, Glow
77	121-2411	4	Nut	170	99-8377	4	Nut-Flange



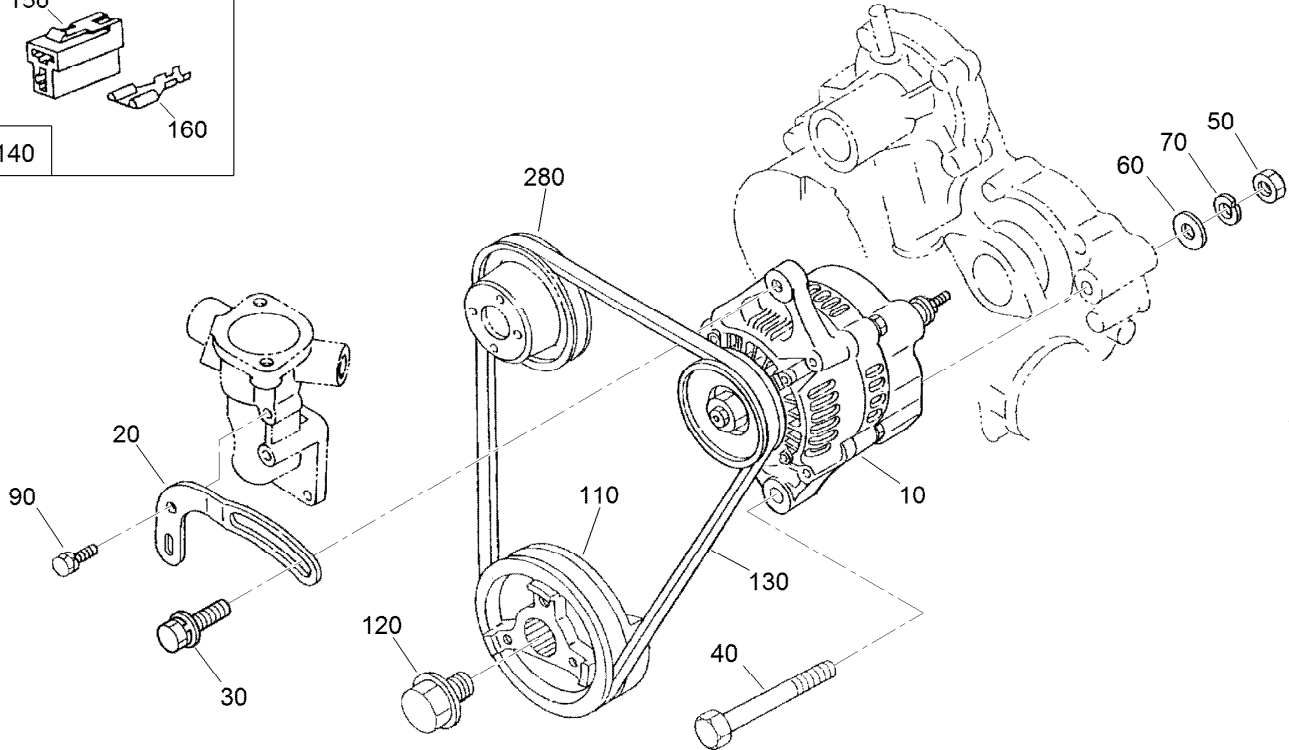
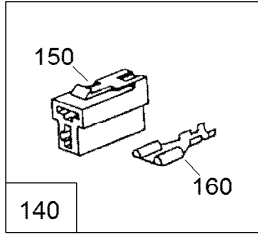
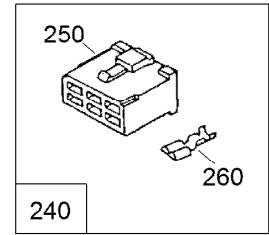
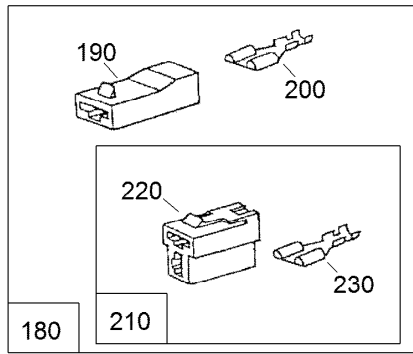
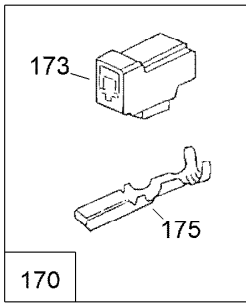
Nozzle Holder Assembly

Ref.	Part Number	Qty.	Description	Ref.	Part Number	Qty.	Description
10	108-2866	4	Nozzle Holder Kit	110	99-8311	4	Washer-Adjust (0.20Mm)
20	121-2411	4	Nut	110	99-8312	4	Washer-Adjust (0.30Mm)
30	99-8302	4	Washer-Adjusting	110	99-8313	4	Washer-Adjust (0.40Mm)
40	99-8303	4	Spring-Nozzle	110	99-8314	4	Washer-Adjust (0.50Mm)
50	99-8304	4	Spacer-Distance	110	99-8315	4	Washer-Adjust (0.52Mm)
60	99-8305	4	Rod-Push	110	99-8316	4	Washer-Adjust (0.54Mm)
70	99-8306	4	Nut-Nozzle	110	99-8317	4	Washer-Adjust (0.56Mm)
80	99-8307	4	Washer-Plain	110	99-8318	4	Washer-Adjust (0.58Mm)
90	107-7826	4	Piece-Nozzle	110	99-8319	4	Washer-Adjust (0.80Mm)
100	99-8309	4	Adjusting Washer ASM	120	98-7676	4	Gasket
110	99-8310	4	Washer-Adjust (0.10Mm)	130	98-7677	4	Seal-Heat



Fuel Filter Assembly

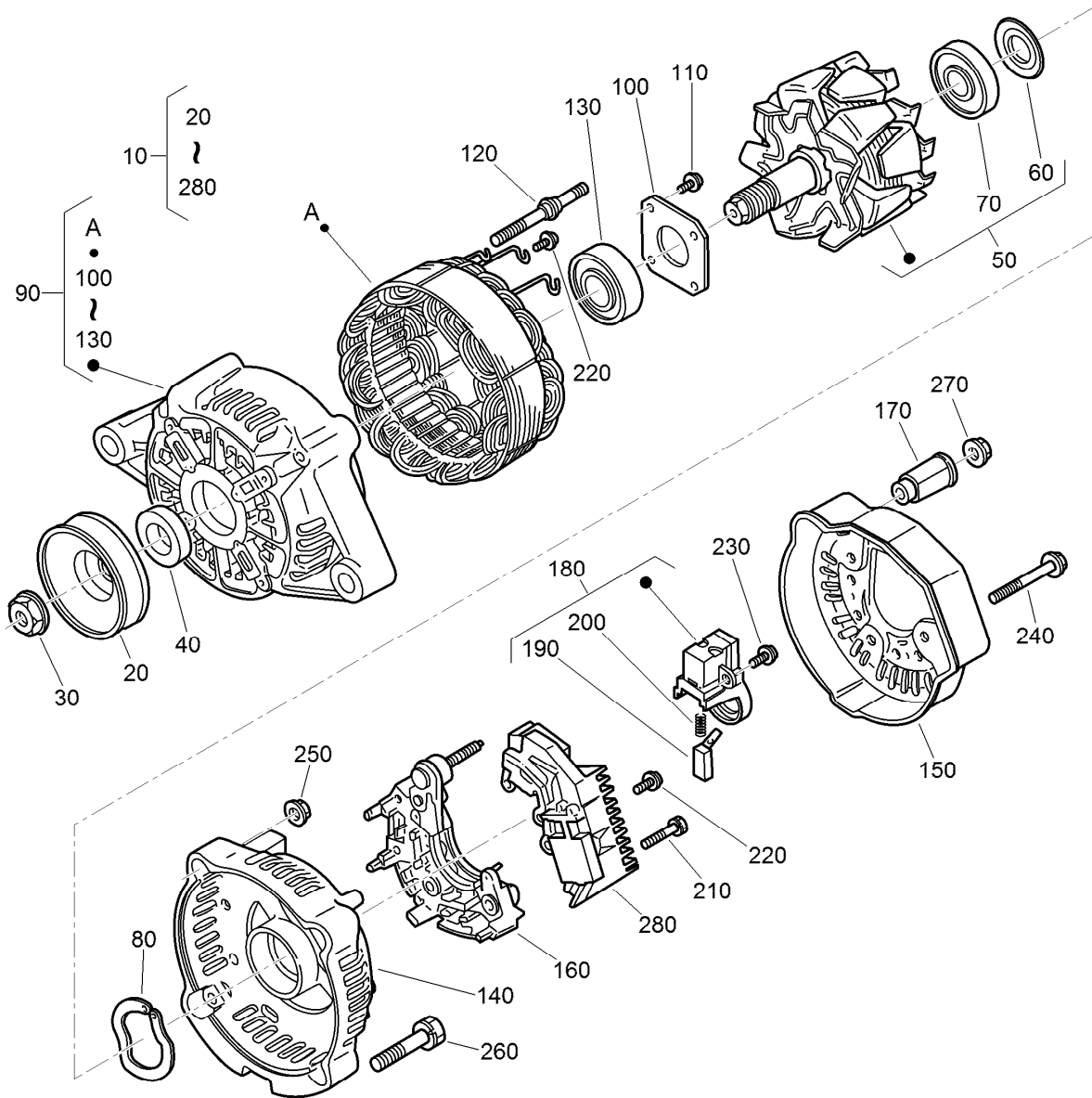
<i>Ref.</i>	<i>Part Number</i>	<i>Qty.</i>	<i>Description</i>	<i>Ref.</i>	<i>Part Number</i>	<i>Qty.</i>	<i>Description</i>
10	130-1188	1	Fuel Filter ASM	110	98-7610	2	Bolt
20	130-1187	1	Element-Filter	120	130-1270	1	Fuel Pipe ASM
30	130-1189	1	Filter Cover ASM	130	130-1172	1	Tube-Fuel
50	130-1180	1	Joint-Pipe	140	100-2217	2	Clip-Pipe
60	130-1181	1	Joint-Pipe	150	130-1222	1	Pipe-Fuel
70	130-1329	1	Plug-Filter Breather	160	98-7616	4	Clip-Pipe
80	130-1179	1	O Ring	170	130-1330	1	Pipe-Over Flow, Fuel
90	130-1190	1	Mark-Form	180	98-7672	6	Clip-Pipe
100	130-1271	1	Holder-Fuel Filter				



Alternator and Pulley Assembly

Ref.	Part Number	Qty.	Description
10	98-9474	1	Alternator ASM
20	112-7047	1	Stay-Dynamo
30	108-7088	1	Bolt
40	98-9360	1	Bolt
50	98-7737	1	Nut
60	98-9366	1	Washer-Plain
70	98-7738	1	Washer-Spring
90	98-7692	1	Bolt
110	105-3745	1	Pulley-Drive, Fan
120	98-9585	1	Bolt
130	98-9676	1	V-Belt
140	127-1606	1	Coupler ASM
150	98-9698	1	Connector
160	98-9699	2	Terminal

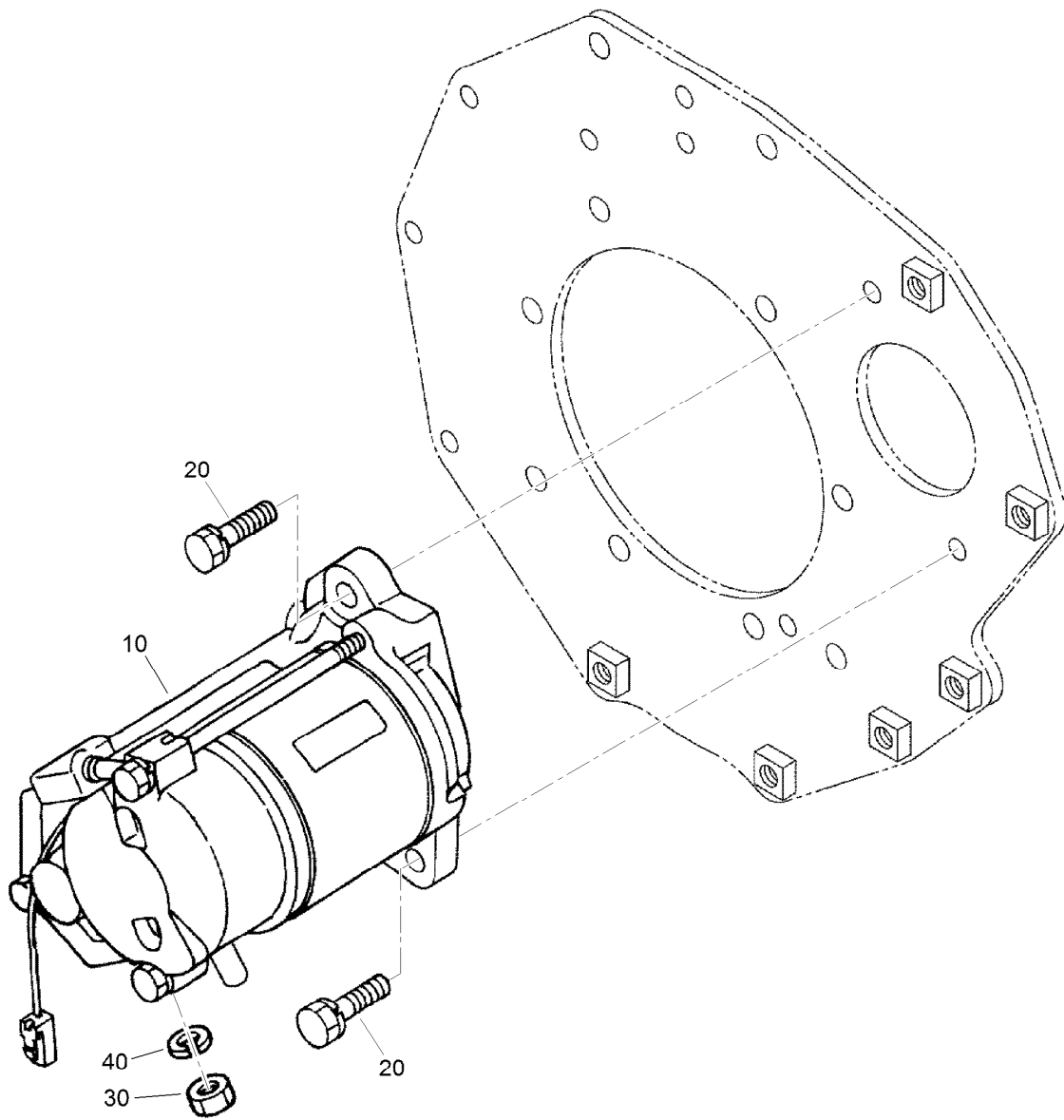
Ref.	Part Number	Qty.	Description
170	115-8600	1	Coupler ASM
173	115-8601	1	Connector
175	115-8602	1	Terminal
180	130-1229	1	Relay Coupler ASM
190	130-1230	2	Connector
200	130-1228	2	Terminal
210	127-1606	1	Coupler ASM
220	98-9698	1	Connector
230	98-9699	2	Terminal
240	130-1290	1	Connector Coupler ASM
250	98-9697	1	Connector
260	98-9699	5	Terminal
280	98-9584	1	Pulley-Fan



Alternator Components Assembly

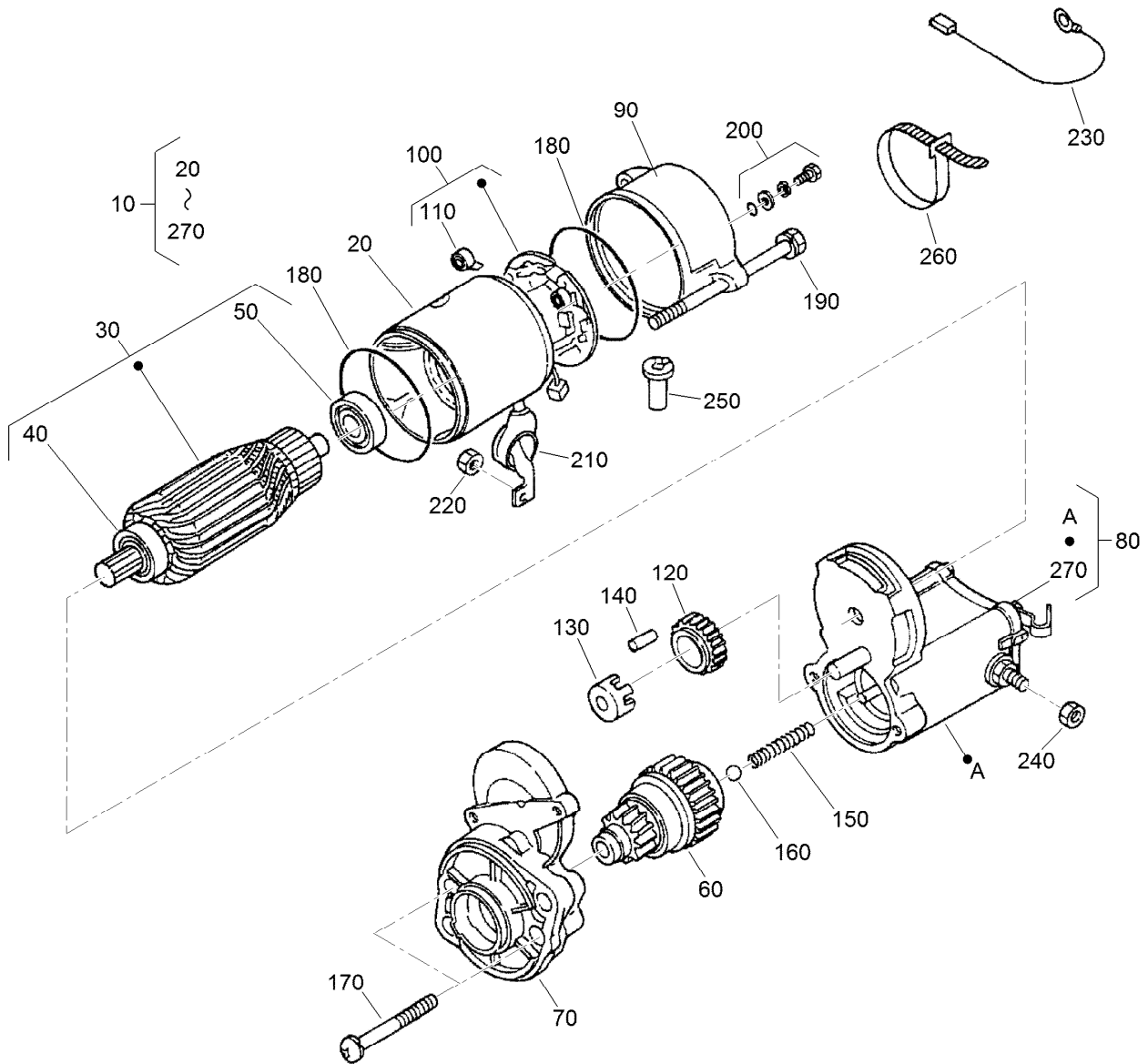
Ref.	Part Number	Qty.	Description
10	98-9474	1	Alternator ASM
20	98-9453	1	Pulley-Dynamo
30	98-7708	1	Nut
40	98-7709	1	Collar
50	107-0136	1	Rotor ASM
60	98-7711	1	Cover-Bearing
70	107-0138	1	Bearing-Ball
80	98-7713	1	Washer-Thrust
90	107-0139	1	Drive End Frame ASM
100	98-7715	1	Plate-Retainer
110	98-7716	4	Screw-Head, Round
120	98-7717	2	Bolt-Through
130	133-2811	1	Bearing
140	107-9087	1	Frame-End

Ref.	Part Number	Qty.	Description
150	107-0140	1	Cover-End
160	127-1612	1	Rectifier ASM
170	98-7722	1	Bushing-Insulation
180	107-0141	1	Brush Holder ASM
190	98-7724	2	Brush
200	98-7725	2	Spring-Brush
210	98-7726	2	Screw-Head, Round
220	98-7727	6	Screw-Head, Round
230	98-7728	1	Screw-Head, Round
240	98-7729	3	Bolt
250	98-7730	2	Nut
260	98-7731	2	Bolt
270	98-7732	1	Nut
280	110-3799	1	Regulator ASM



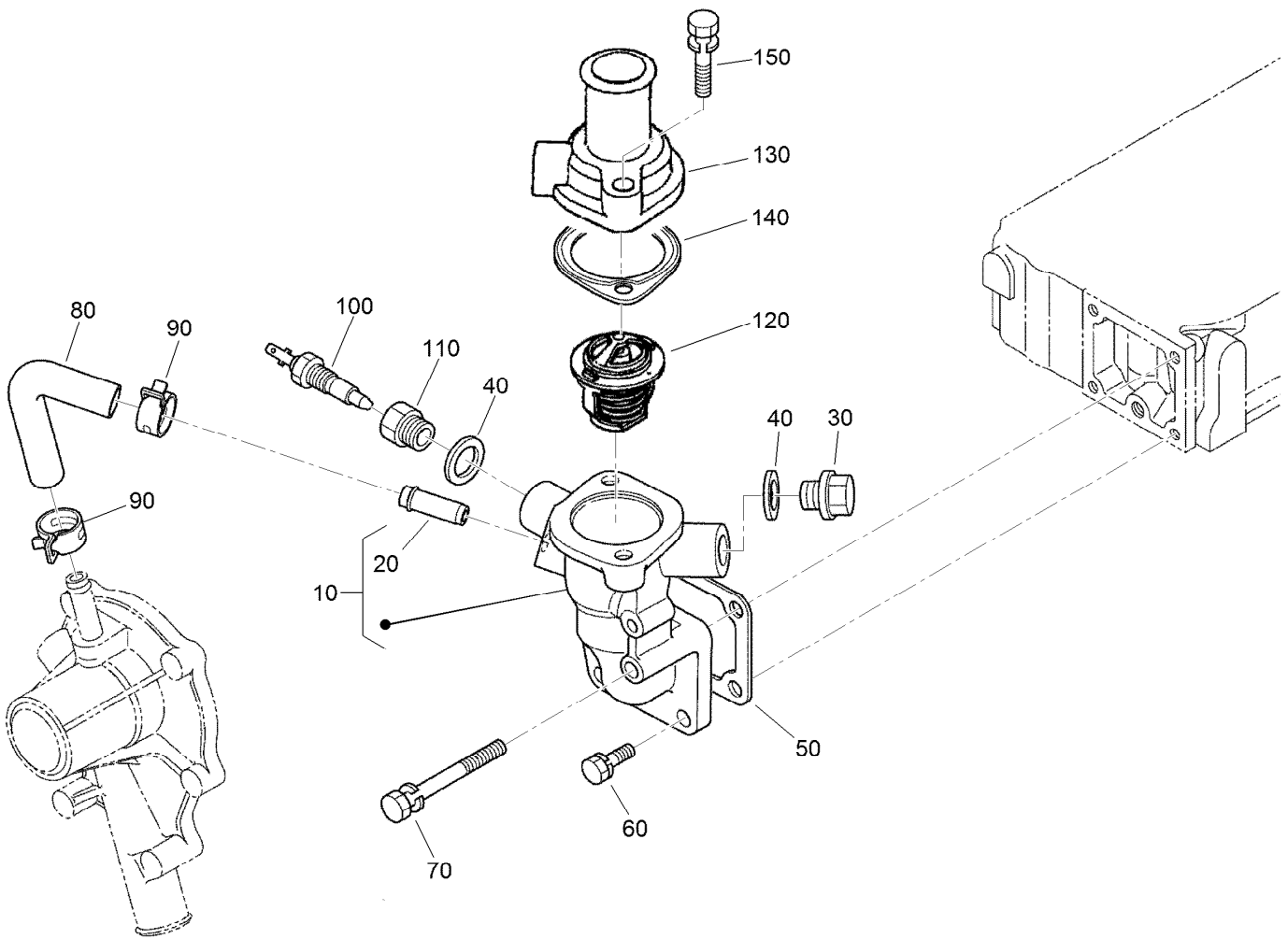
Starter Assembly

<i>Ref.</i>	<i>Part Number</i>	<i>Qty.</i>	<i>Description</i>
10	98-9705	1	Starter ASM
20	98-7697	2	Bolt
30	98-7739	1	Nut
40	105-2893	1	Washer-Spring



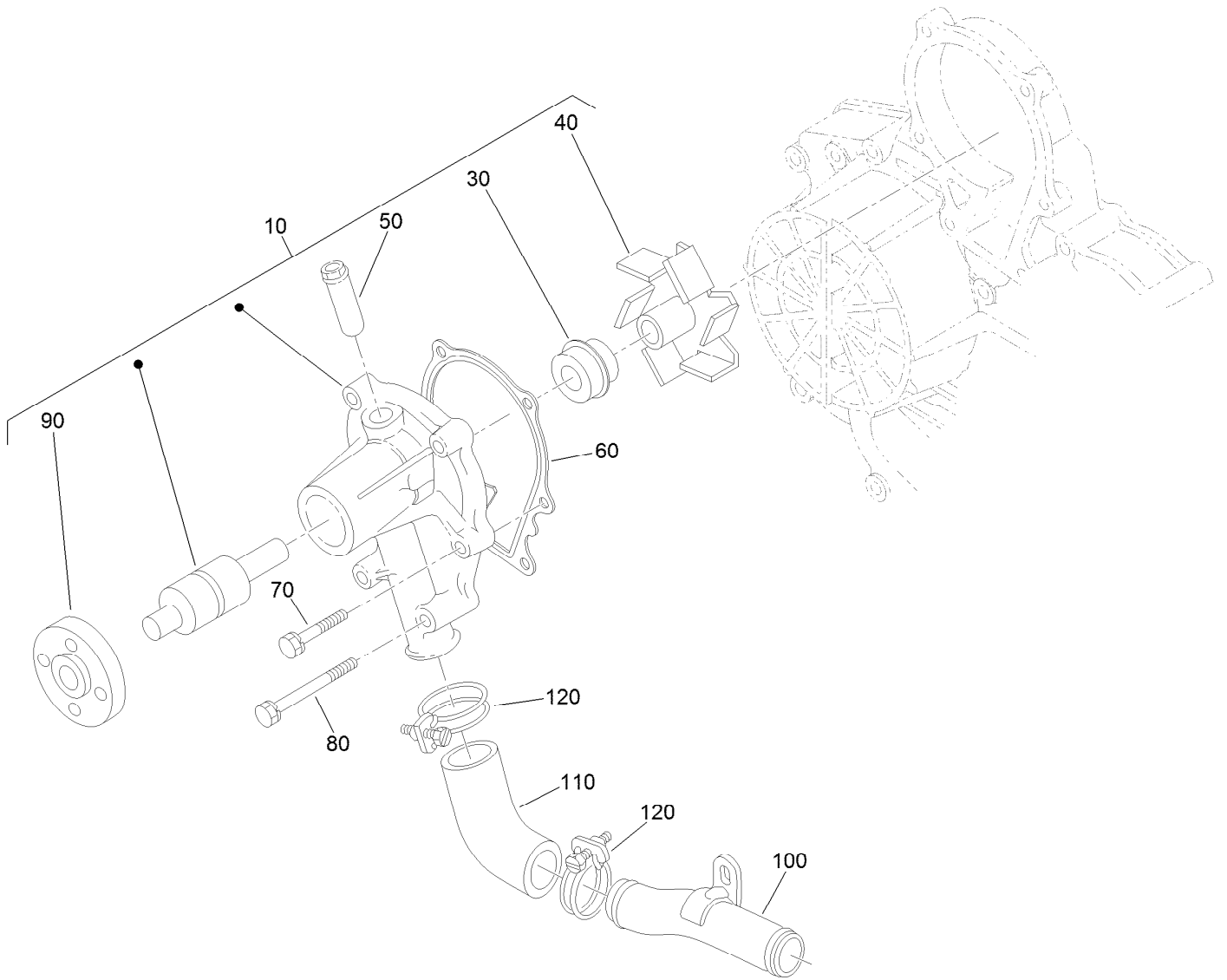
Starter (Component Part) Assembly

Ref.	Part Number	Qty.	Description	Ref.	Part Number	Qty.	Description
10	98-9705	1	Starter ASM	150	98-7754	1	Spring
20	104-8608	1	Yoke ASM	160	98-7755	1	Ball
30	98-7742	1	Armature ASM	170	98-7756	2	Bolt
40	98-7744	1	Bearing	180	98-7757	2	O-Ring
50	98-7743	1	Bearing	190	100-9240	2	Bolt
60	99-8373	1	Clutch-Running, Over	200	98-7758	2	Bolt ASM
70	99-8374	1	Frame-End, Drive	210	99-8375	1	Cover
80	105-3746	1	Magnetic Switch ASM	220	99-8371	1	Nut-Hex
90	98-7748	1	Frame-End	230	98-9711	1	Cord-Solenoid, Stop
100	98-7749	1	Brush Holder ASM	240	99-8376	1	Nut-Hex
110	98-7750	4	Spring-Brush	250	98-7759	1	Pipe-Drain
120	98-7751	1	Gear	260	98-9712	1	Band-Cover
130	98-7752	1	Retainer	270	105-2886	1	Cover ASM
140	98-7753	5	Roller				



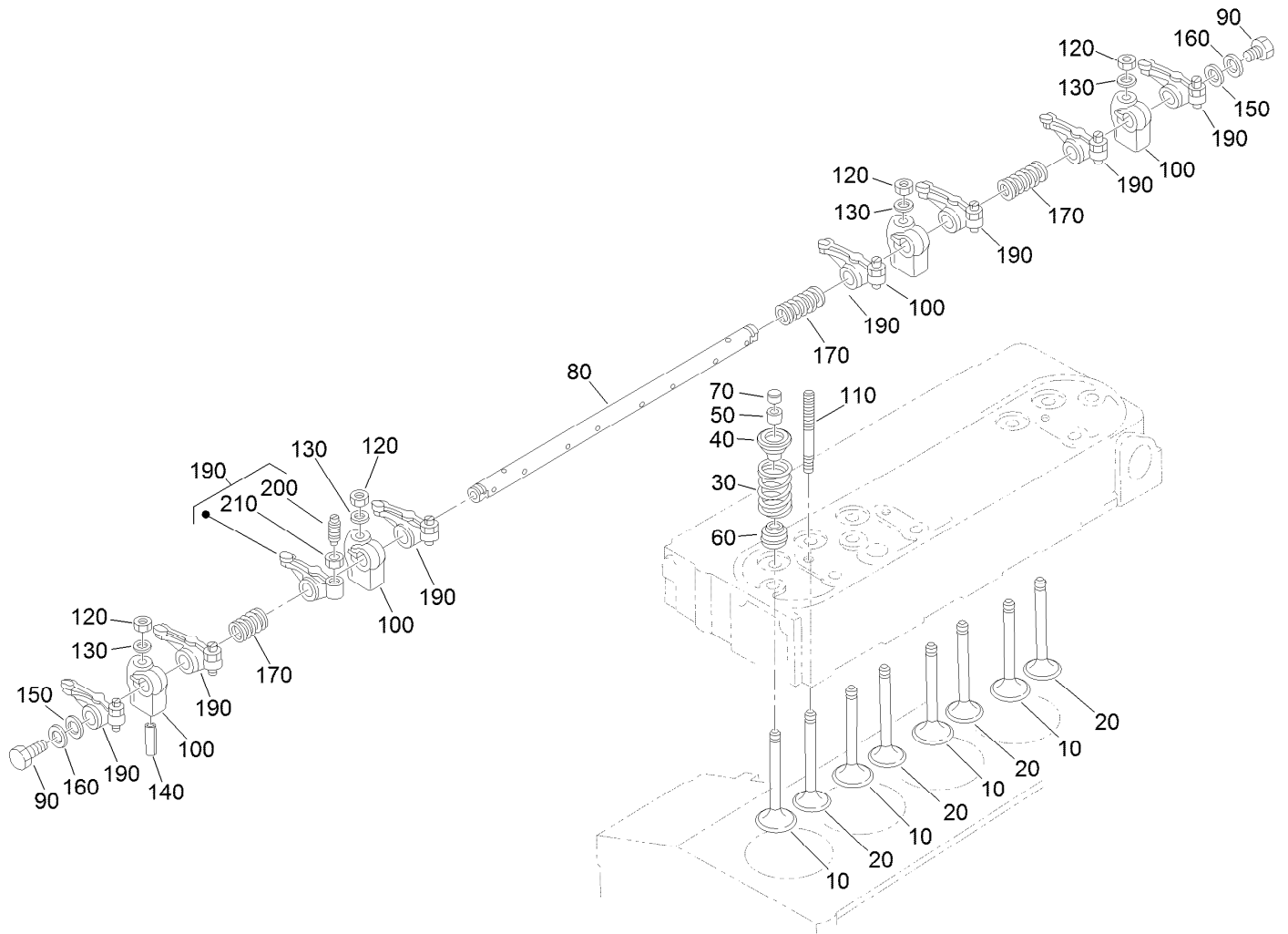
Water Flange and Thermostat Assembly

<i>Ref.</i>	<i>Part Number</i>	<i>Qty.</i>	<i>Description</i>
10	98-9713	1	Water Flange ASM
20	98-9580	1	Pipe-Return, Water
30	105-3747	1	Plug
40	99-3583	2	Gasket
50	98-9638	1	Gasket-Flange, Water
60	98-7692	3	Bolt
70	98-9356	1	Bolt
80	98-9578	1	Pipe-Return, Water
90	98-9579	2	Band-Pipe
100	100-1983	1	Thermo-Switch
110	130-1377	1	Adapter-Thermoswitch
120	98-7778	1	Thermostat ASM
130	98-9471	1	Cover-Thermostat
140	105-3748	1	Gasket-Thermostat
150	98-7777	2	Bolt



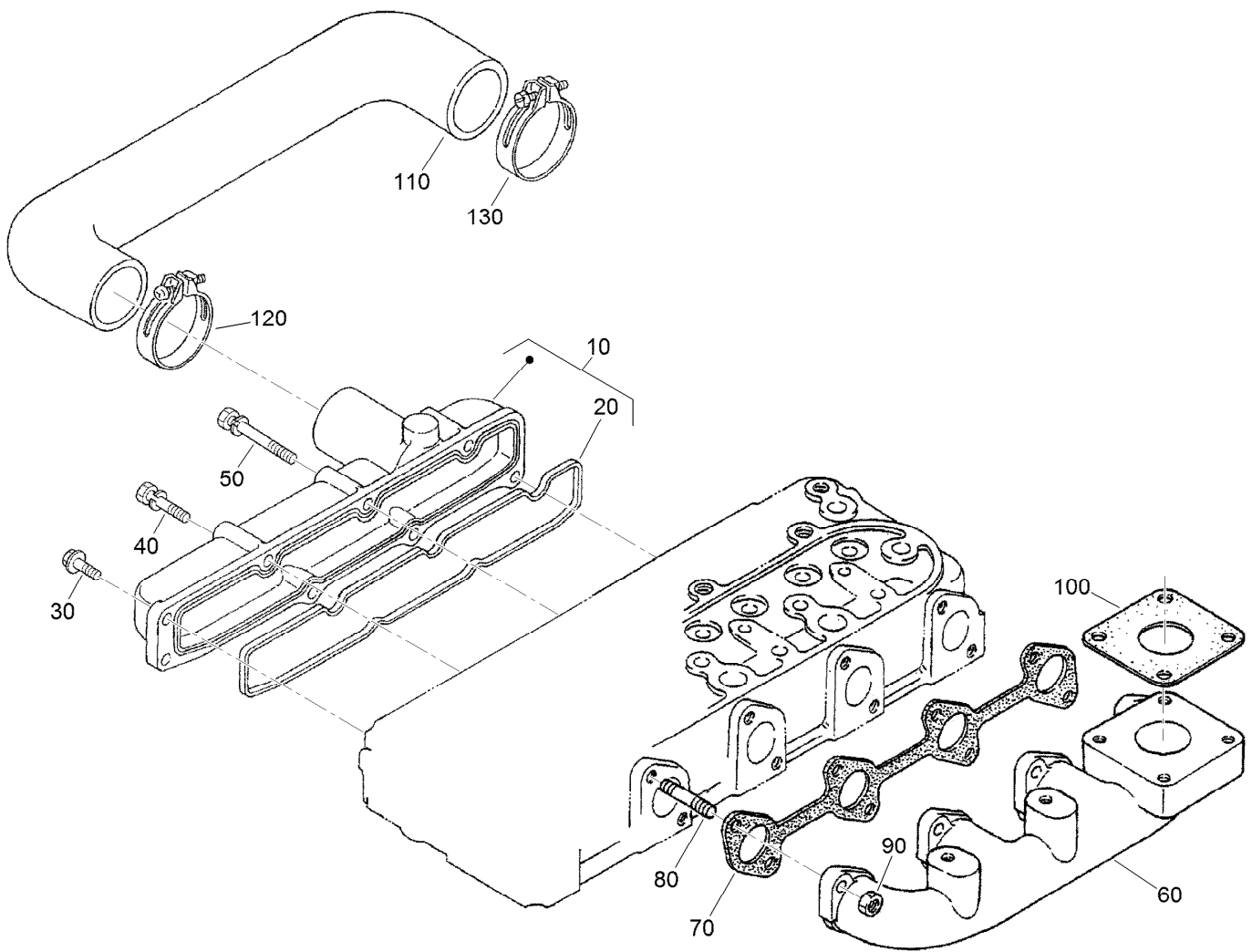
Water Pump Assembly

<i>Ref.</i>	<i>Part Number</i>	<i>Qty.</i>	<i>Description</i>
10	107-9089	1	Water Pump ASM
30	105-3750	1	Mechanical Seal ASM
40	112-7017	1	Impeller-Pump, Water
50	100-1932	1	Pipe-Return, Water
60	99-3454	1	Gasket-Pump, Water
70	98-9353	4	Bolt
80	107-9090	2	Bolt
90	99-3516	1	Flange-Pump, Water
100	98-9716	1	Pipe-Water
110	107-9091	1	Pipe-Water
120	98-9717	2	Clamp



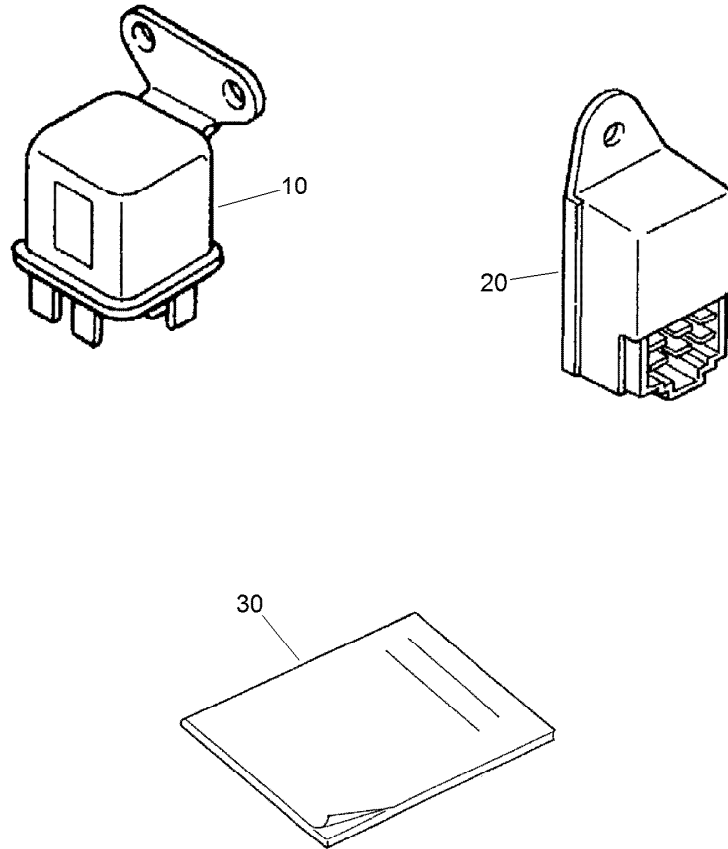
Valve and Rocker Arm Assembly

<i>Ref.</i>	<i>Part Number</i>	<i>Qty.</i>	<i>Description</i>	<i>Ref.</i>	<i>Part Number</i>	<i>Qty.</i>	<i>Description</i>
10	112-7018	4	Valve-Inlet	110	98-9506	4	Stud
20	120-2564	4	Valve-Exhaust	120	98-9393	4	Nut
30	98-9648	8	Spring-Valve	130	98-9385	4	Washer-Flat
40	107-9092	8	Retainer-Spring	140	105-3758	1	Pin-Spring
50	117-7572	8	Collet-Spring, Valve	150	98-9507	2	Washer-Shaft, Rocker Arm
60	99-8385	8	Seal-Stem, Valve	160	110-3832	2	Washer-Plain
70	98-9497	8	Cap-Valve	170	98-9504	3	Spring-Arm, Rocker
80	127-0420	1	Shaft-Arm, Rocker	190	112-7020	8	Rocker Arm ASM
90	99-8363	2	Bolt-Flange	200	98-9502	8	Screw-Adjusting
100	98-9505	4	Bracket-Arm, Rocker	210	98-9503	8	Nut



Intake and Exhaust Manifold Assembly

<i>Ref.</i>	<i>Part Number</i>	<i>Qty.</i>	<i>Description</i>
10	130-1257	1	Intake Manifold ASM
20	105-3760	1	Gasket-Manifold, Intake
30	127-0403	3	Bolt-Flange
40	98-9353	2	Bolt
50	125-9063	3	Bolt-Sems
60	130-1268	1	Manifold-Exhaust
70	105-3765	1	Gasket-Manifold, Exhaust
80	98-9588	8	Stud
90	98-9665	8	Nut
100	99-8343	2	Gasket-Muffler
110	130-1284	1	Pipe-Inlet
120	130-1196	2	Band-Pipe
130	130-1182	2	Band-Pipe



Miscellaneous Engine Parts

<i>Ref.</i>	<i>Part Number</i>	<i>Qty.</i>	<i>Description</i>
10	130-1244	1	Relay ASM
20	130-1211	1	Timer-Lamp, Glow
30	115-4104	1	Operator Manual

Attachments and Accessories

For 30651 Groundsmaster 3400 4-Wheel Drive Traction Unit

Product Name	Model/Part
Deluxe Replacement PVC Air Seat	02865
Deluxe Replacement Fabric Air Seat	02866
Air Conditioning Fit Kit (CT, LT & GM)	02892
Cab with Air-Conditioner	02895
12 Volt Accessory Port Kit.....	02902
LSD Lock Kit	02904
Deluxe Seat Kit.....	02909
Kevlar Tyre Kit	02914
Road Lights Kit W/Brake Lights	02917
Flashing Beacon Kit.....	02920
Blower Carrier Kit.....	02921
TÜV Kit - Speed Decal 20kph	02980
TÜV Kit - German Vehicle Serial Plate	02983
Warning Triangle	111-4250
Fuse-In Line.....	111-6190
MVP Kit, Groundsmaster 3400, CT2120, CT2140 or LT3340 Traction Unit.....	111-8000
Slope Indicator Kit.....	111-9225
Base 62 Inch Mower	30645
Base 72 Inch Mower	30646

Notes:

Notes:



Count on it.