



**Count on it.**

**Parts Catalog**

**HoverPro®**

**400 Machine**

**Model No. 02615—Serial No. 403230000 and Up**



# Ordering Replacement Parts

To order replacement parts, please supply the part number, the quantity, and the description of each part desired.

## Understanding Reference Numbers

Each identified part in an illustration has a reference number. The reference number for a part also appears in the parts list, along with other information about the part.

This catalog uses two special reference number formats, one to indicate parts in a service assembly and another to indicate the quantity of a given part in an illustration.

## Service Assembly Reference Numbers

Parts in service assemblies have reference numbers in the form a:b. The a represents the reference number of the entire service assembly and the b represents a sequential number unique to each part within the service assembly.

For example, a wheel assembly might be identified by reference number 6, the tire by 6:1, the valve by 6:2, and the wheel by 6:3. When you order the assembly identified by reference number 6, you receive all parts identified by reference numbers 6:1, 6:2, and 6:3. However, you may also order any part individually. Reference numbers of this type appear in illustration and in parts lists.

## Reference Numbers Indicating Quantity

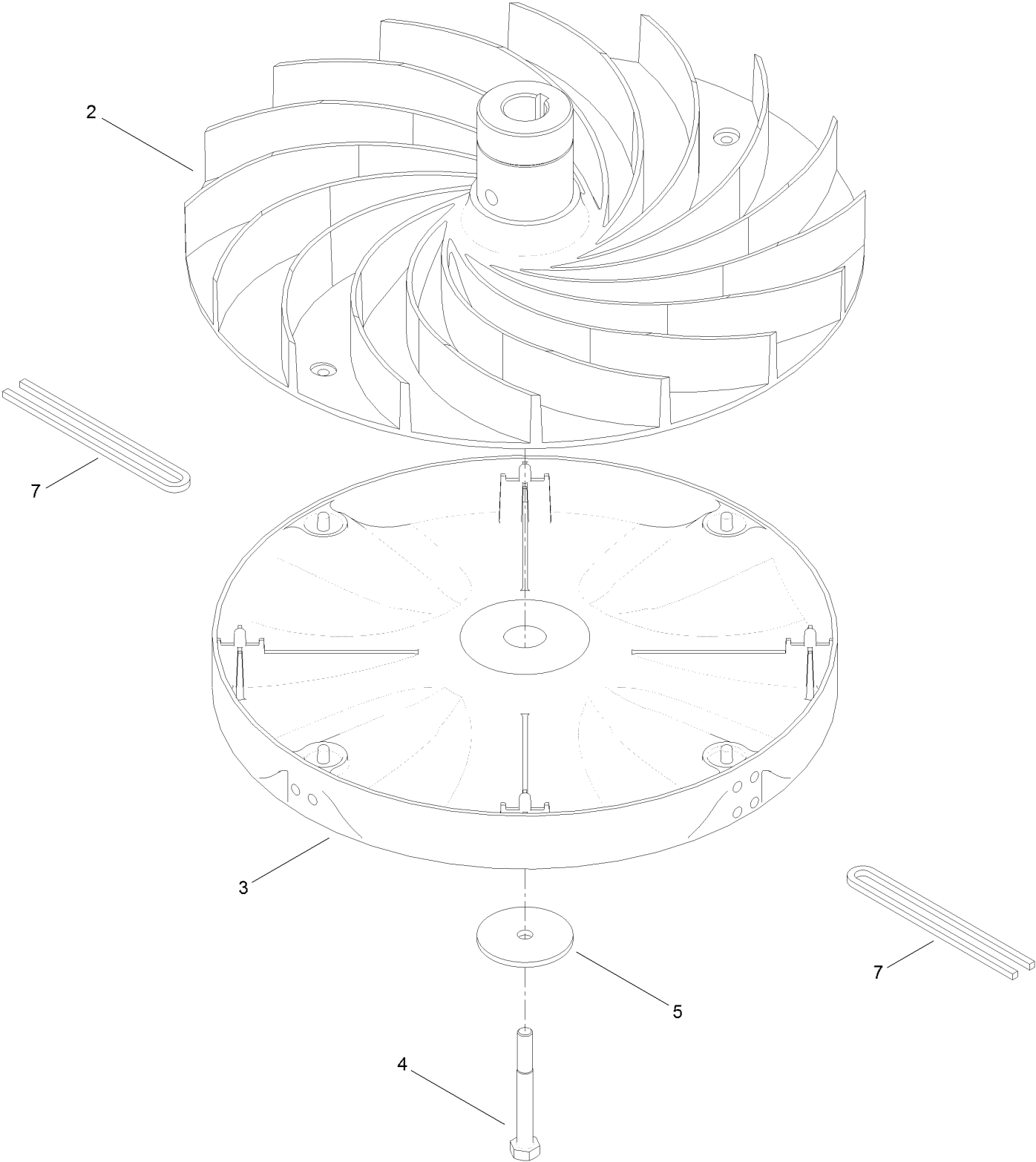
In an illustration, if a reference number indicates more than one part, the reference number has the form nX y. The n represents the quantity of the part, the X is the multiplication symbol, and the y represents the reference number.

For example, in an illustration, the reference number 2X 37 means that two of the parts identified by reference number 37 are indicated.

# Contents

Cutting Assembly .....	4
Engine and Deck Assembly .....	6
Cylinder Barrel Assembly .....	8
Oil Case Assembly .....	10
Crankcase Cover Assembly .....	12
Crankshaft Assembly .....	14
Piston and Connecting Rod Assembly .....	16
Camshaft Assembly .....	18
Recoil Starter Assembly .....	20
Fan Cover Assembly .....	22
Carburetor Assembly .....	24
Air Cleaner Assembly .....	26
Muffler Assembly .....	28
Fuel Tank Assembly .....	30
Flywheel and Ignition Coil Assembly .....	32
Control Assembly .....	34
Label Assembly .....	36
Decal Assembly .....	38
Handle Assembly .....	40
Attachments and Accessories .....	42

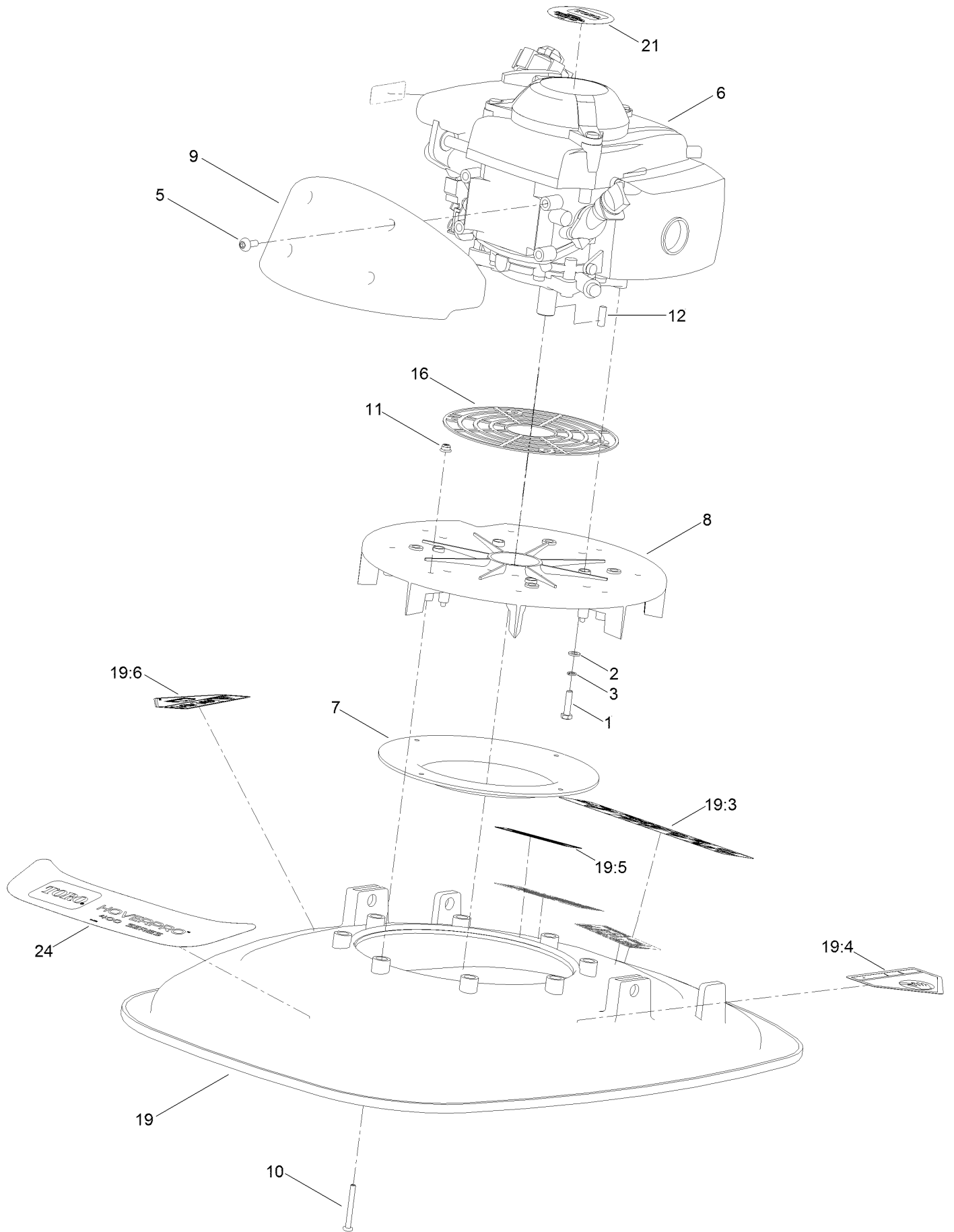
# Cutting Assembly



## Cutting Assembly (continued)

<i>Ref.</i>	<i>Part Number</i>	<i>Qty.</i>	<i>Description</i>	<i>Ref.</i>	<i>Part Number</i>	<i>Qty.</i>	<i>Description</i>
2	111-1302	1	Impeller	5	111-1515	1	Disc-Spring
3	111-1381	1	Disc-Cutting	7	111-5251	2	Line-Cutting, Nylon
4	111-1504	1	Bolt-HH				

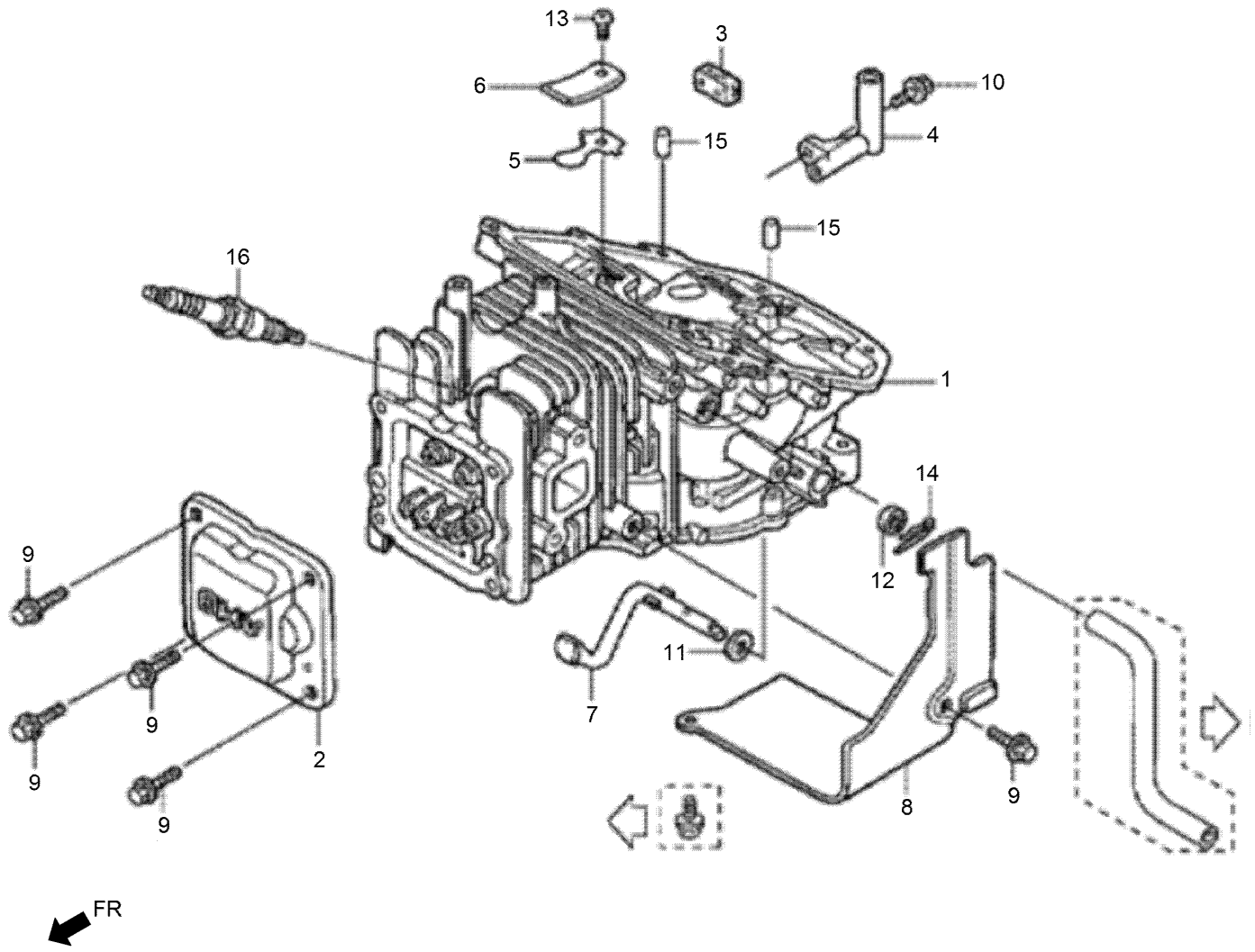
# Engine and Deck Assembly



## Engine and Deck Assembly (continued)

<i>Ref.</i>	<i>Part Number</i>	<i>Qty.</i>	<i>Description</i>	<i>Ref.</i>	<i>Part Number</i>	<i>Qty.</i>	<i>Description</i>
1	09364	4	Screw-HH	12	111-1503	1	Key-Drive, Square Ended
2	09472	4	Washer-Plain	16	111-4675	1	Sink-Heat
3	09474	4	Washer-Spring	19	111-6002	1	Deck
5	09784	4	Screw-Soc, HD	19:3	111-5392	1	Decal-Warning
6	111-7161	1	Engine-Honda	19:4	94-8072	1	Decal-Danger
7	111-1299	1	Bell-Mouth	19:5	111-1210	1	Decal
8	111-1300	1	Plate-Engine	19:6	111-9826	1	Decal-Danger
9	111-5480	1	Cover-Sump	21	111-5361	1	Decal-Engine
10	111-1501	8	Screw-PPH	24	111-5348	1	Decal-Hover Pro
11	111-1502	8	Nut-HHF, Ny				

# Cylinder Barrel Assembly

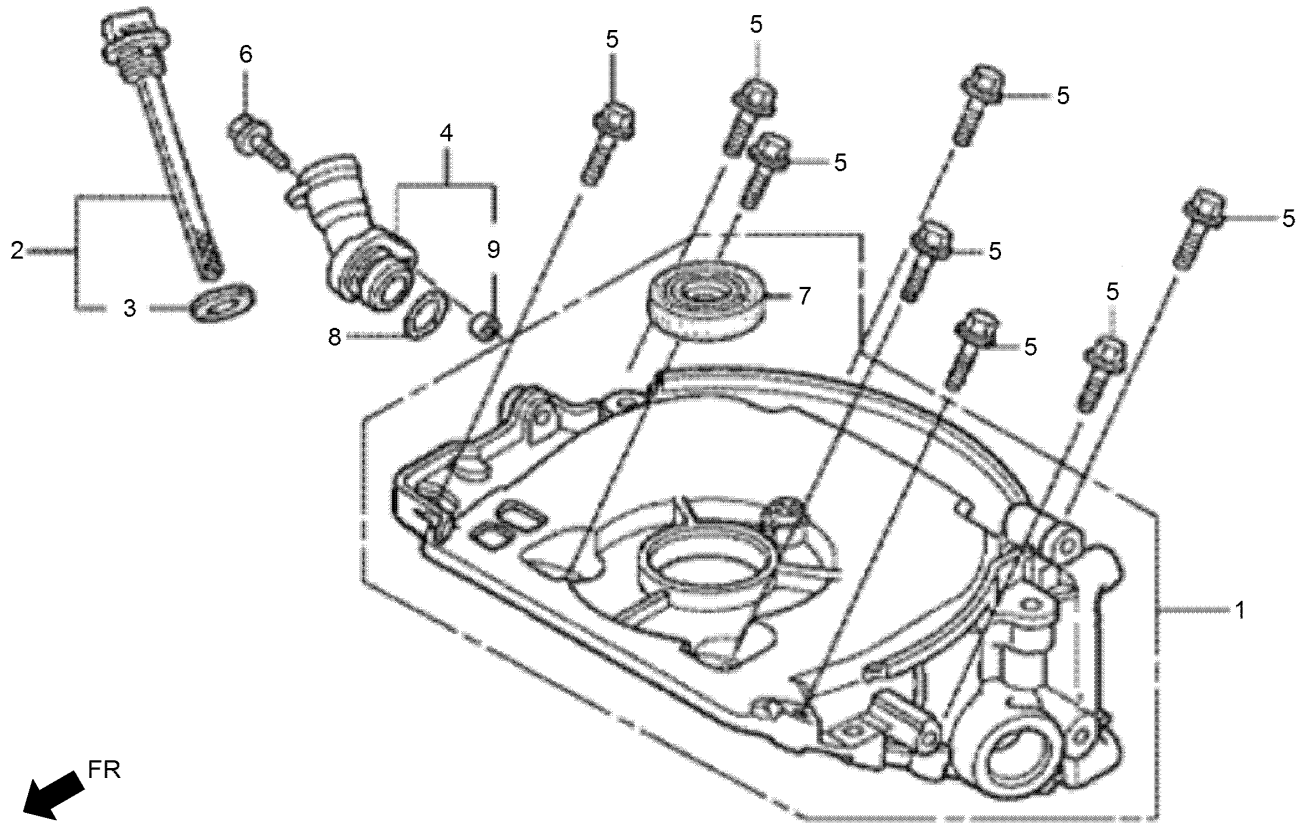




## Cylinder Barrel Assembly (continued)

<i>Ref.</i>	<i>Part Number</i>	<i>Qty.</i>	<i>Description</i>	<i>Ref.</i>	<i>Part Number</i>	<i>Qty.</i>	<i>Description</i>
1	132-0117	1	Cylinder Barrel ASM	10	132-0588	1	Bolt-4X10
2	132-0130	1	Cover-Head	11	132-0634	1	Washer-5.2X9
3	132-0132	1	Filter-Breather	12	132-0652	2	Roller-6X14.8
4	132-0216	1	Pipe-Breather	13	132-0662	1	Oil Seal-5X11X5
5	132-0218	1	Valve-Oil Outlet	14	132-0675	1	Screw-Pan-3X5
6	132-0219	1	Plate-Stopper	15	132-0692	1	Pin-Lock-6Mm
7	132-0309	1	Shaft-Governor Arm	16	131-8229	1	Sparkplug (U16Fsr-Ub)
8	132-0474	1	Shroud	16	131-8230	1	Sparkplug (Cr4Hsb)
9	132-0577	5	Bolt-Flange-5X12				

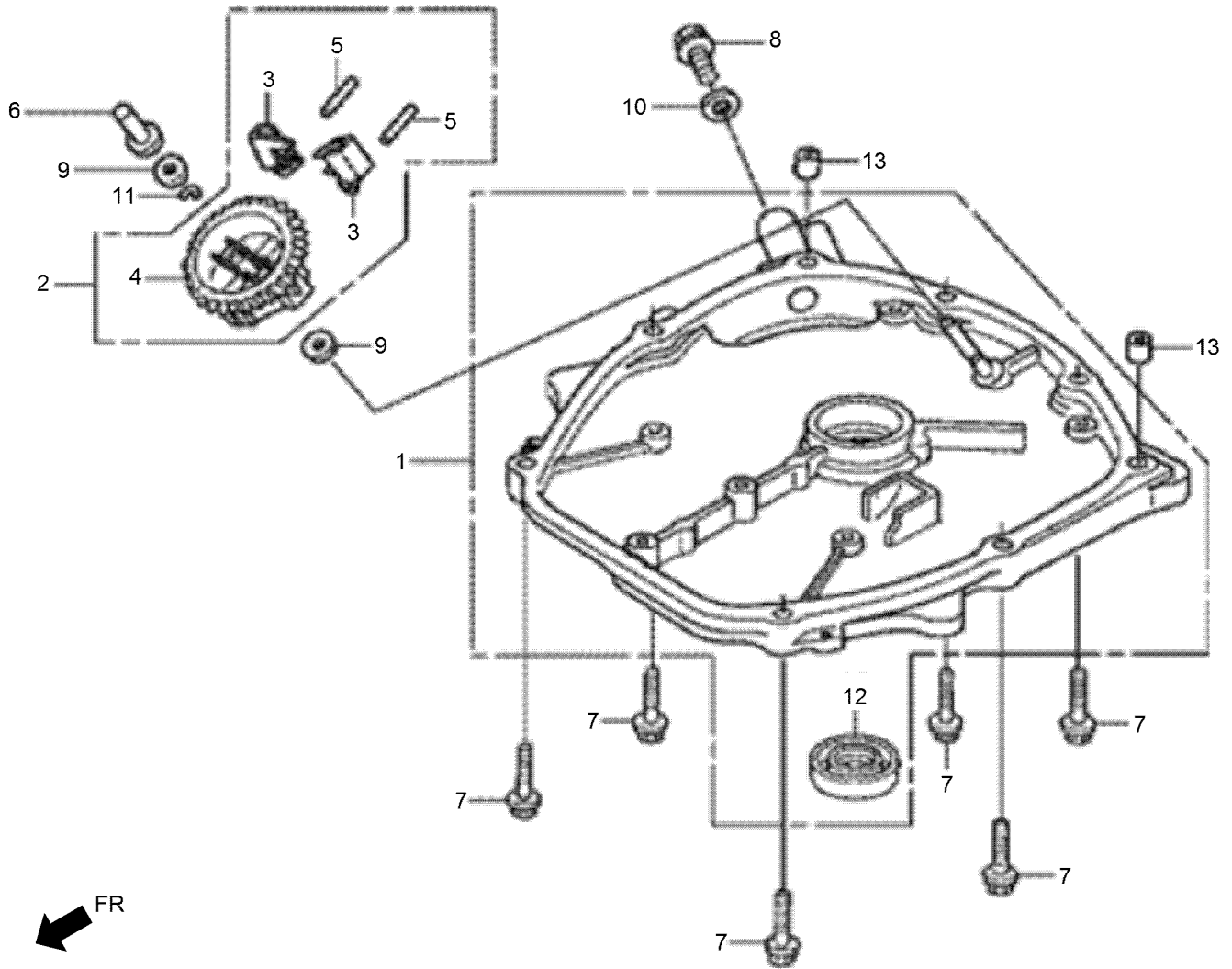
# Oil Case Assembly



## Oil Case Assembly (continued)

<i>Ref.</i>	<i>Part Number</i>	<i>Qty.</i>	<i>Description</i>	<i>Ref.</i>	<i>Part Number</i>	<i>Qty.</i>	<i>Description</i>
1	132-0106	1	Case ASM-Oil	6	132-0591	1	Bolt-Flange-5X14
2	132-0222	1	Cap ASM-Oil Filler	7	132-0657	1	Oil Seal-17X27X5
3	132-0224	1	Packing-Oil Filler Cap	8	132-0667	1	O-Ring-21.2X2.4
4	132-0228	1	Extension-Oil Filler	9	132-0671	1	Collar-Top Cover
5	132-0587	8	Bolt-Flange-5X23				

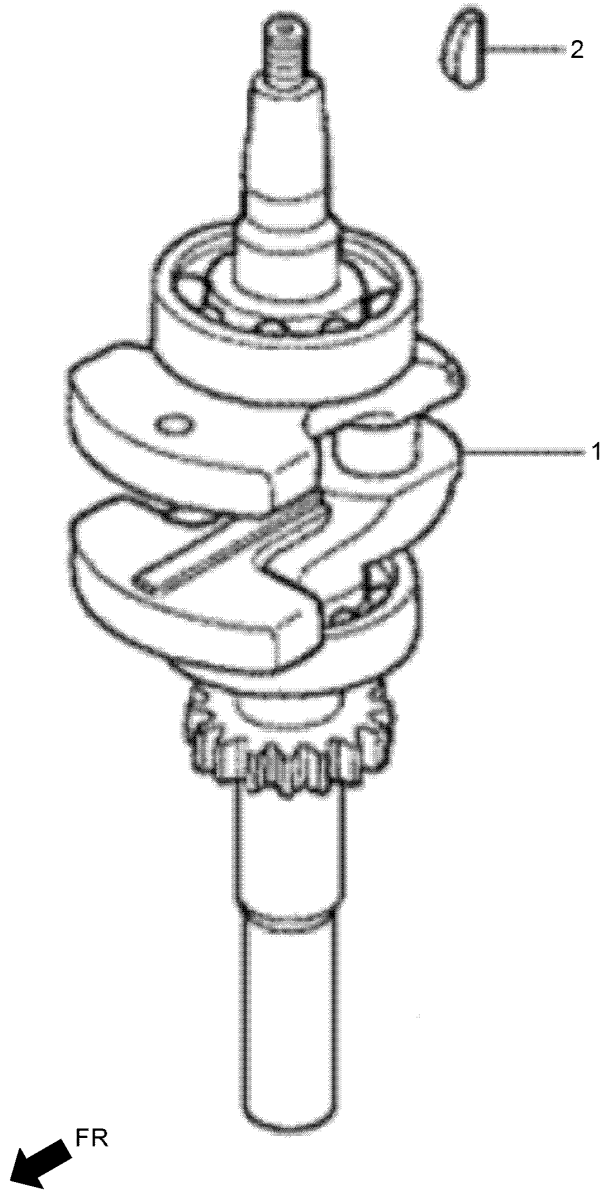
# Crankcase Cover Assembly



## Crankcase Cover Assembly (continued)

<i>Ref.</i>	<i>Part Number</i>	<i>Qty.</i>	<i>Description</i>	<i>Ref.</i>	<i>Part Number</i>	<i>Qty.</i>	<i>Description</i>
1	132-0107	1	Crankcase Side Cover ASM	8	132-0621	1	Bolt-Drain Plug-12X15
2	132-0298	1	Governor ASM	9	132-0633	2	Washer-4.2X13
3	132-0300	2	Weight-Governor	10	132-0638	1	Washer-Drain Plug-12Mm
4	132-0302	1	Holder-Governor Weight	11	132-0643	1	Clip-Governor Holder
5	132-0303	2	Pin-Governor Weight	12	132-0656	1	Oil Seal-18.9X28X5
6	132-0305	1	Slider-Governor	13	132-0694	2	Dowel Pin-6X10
7	132-0587	6	Bolt-Flange-5X23				

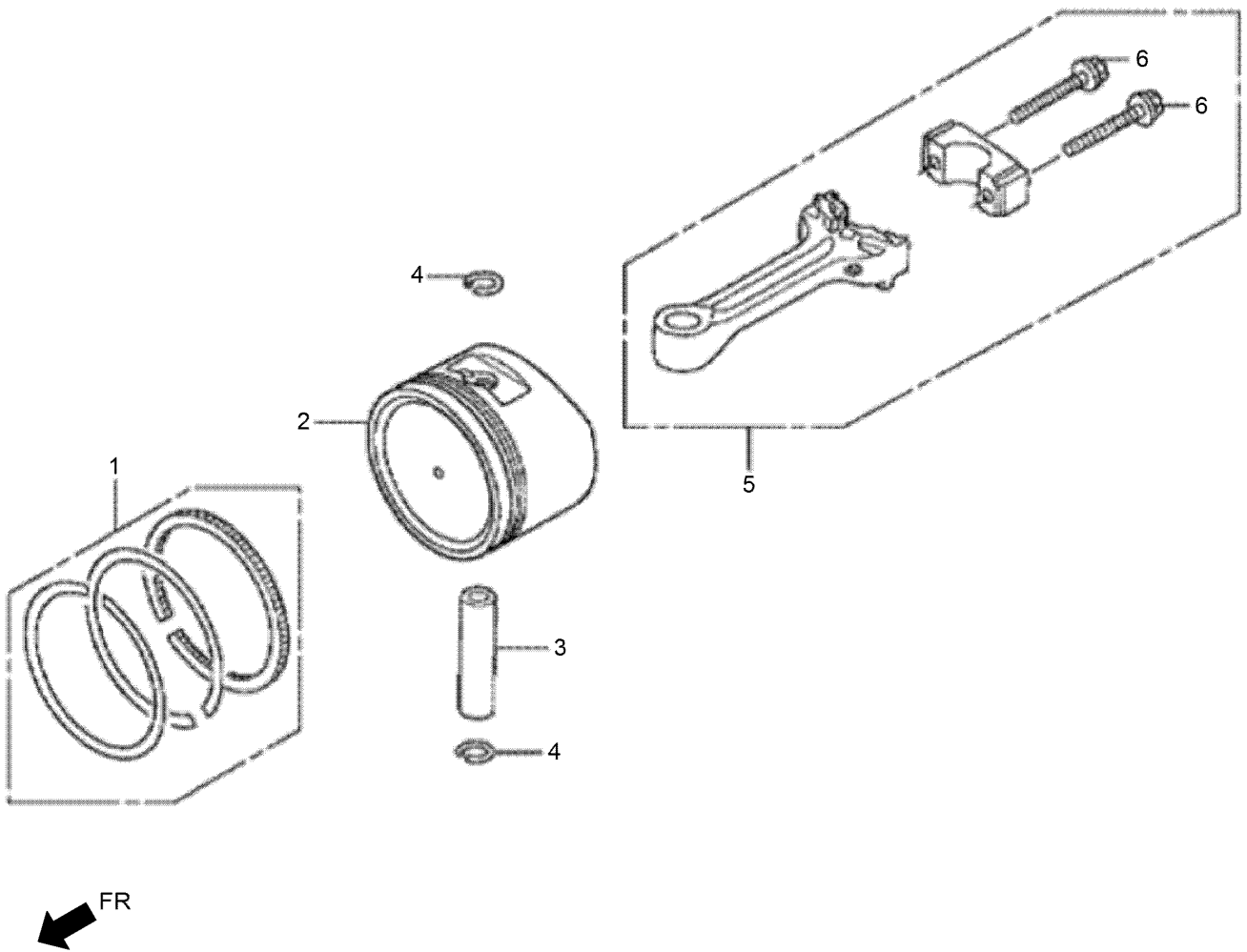
# Crankshaft Assembly



## Crankshaft Assembly (continued)

<i>Ref.</i>	<i>Part Number</i>	<i>Qty.</i>	<i>Description</i>
1	132-0163	1	Crankshaft ASM
2	132-0169	1	Key-Special

# Piston and Connecting Rod Assembly

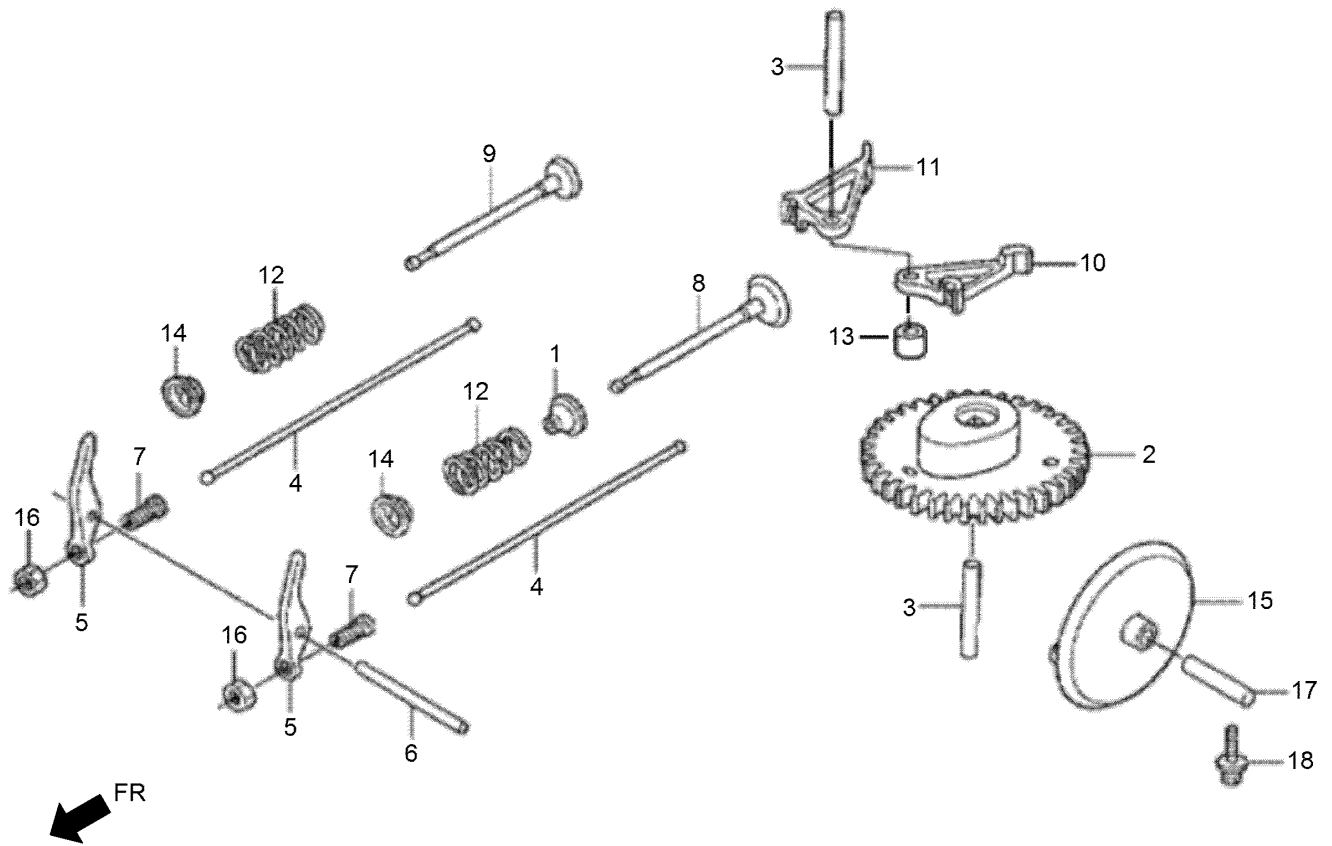




## Piston and Connecting Rod Assembly (continued)

<i>Ref.</i>	<i>Part Number</i>	<i>Qty.</i>	<i>Description</i>	<i>Ref.</i>	<i>Part Number</i>	<i>Qty.</i>	<i>Description</i>
1	132-0141	1	Ring Set-Piston	4	132-0153	2	Clip-Piston Pin-10Mm
2	132-0147	1	Piston	5	132-0159	1	Rod ASM-Connecting
3	132-0148	1	Pin-Piston-10X33	6	132-0574	2	Bolt-Connecting Rod

# Camshaft Assembly



## Camshaft Assembly (continued)

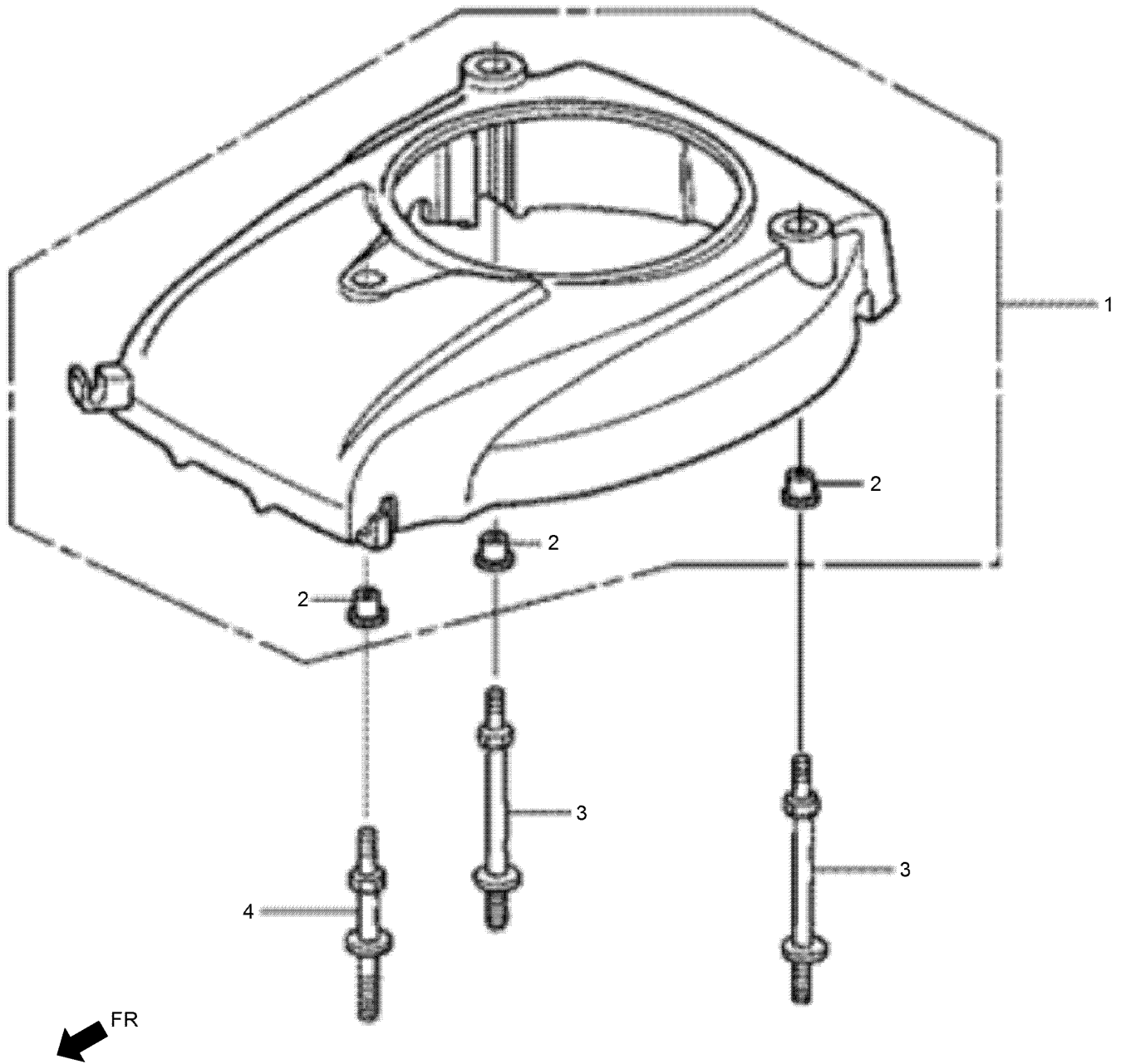
<i>Ref.</i>	<i>Part Number</i>	<i>Qty.</i>	<i>Description</i>	<i>Ref.</i>	<i>Part Number</i>	<i>Qty.</i>	<i>Description</i>
1	132-0123	1	Seal-Valve Stem	10	132-0204	1	Lifter-Valve
2	132-0171	1	Camshaft ASM	11	132-0205	1	Lifter-Exhaust Valve
3	132-0173	2	Roller	12	132-0208	2	Spring-Valve
4	132-0182	2	Rod-Push	13	132-0209	1	Collar-Lifter
5	132-0185	2	Arm-Valve Rocker	14	132-0212	2	Retainer-Valve Spring
6	132-0186	1	Roller	15	132-0217	1	Slinger-Oil
7	132-0189	2	Pivot-Rocker Arm	16	132-0628	2	Nut-Tappet Adjusting
8	132-0197	1	Valve-Intake	17	132-0653	1	Roller-6X25
9	132-0202	1	Valve-Exhaust	18	132-0674	1	Bolt-Washer-5X16



## Recoil Starter Assembly (continued)

<i>Ref.</i>	<i>Part Number</i>	<i>Qty.</i>	<i>Description</i>	<i>Ref.</i>	<i>Part Number</i>	<i>Qty.</i>	<i>Description</i>
1	132-0482	1	Starter ASM-Recoil	7	132-0504	1	Knob-Recoil Starter
2	132-0483	1	Spring-Friction	8	132-0506	1	Rope-Recoil Starter
3	132-0488	1	Starter Case ASM	9	132-0593	1	Screw-Setting
4	132-0490	1	Reel-Recoil Starter	10	132-0673	1	Collar
5	132-0496	1	Spring-Recoil Starter	11	132-0685	3	Nut-Flange-5Mm
6	132-0501	2	Arm-Swing				

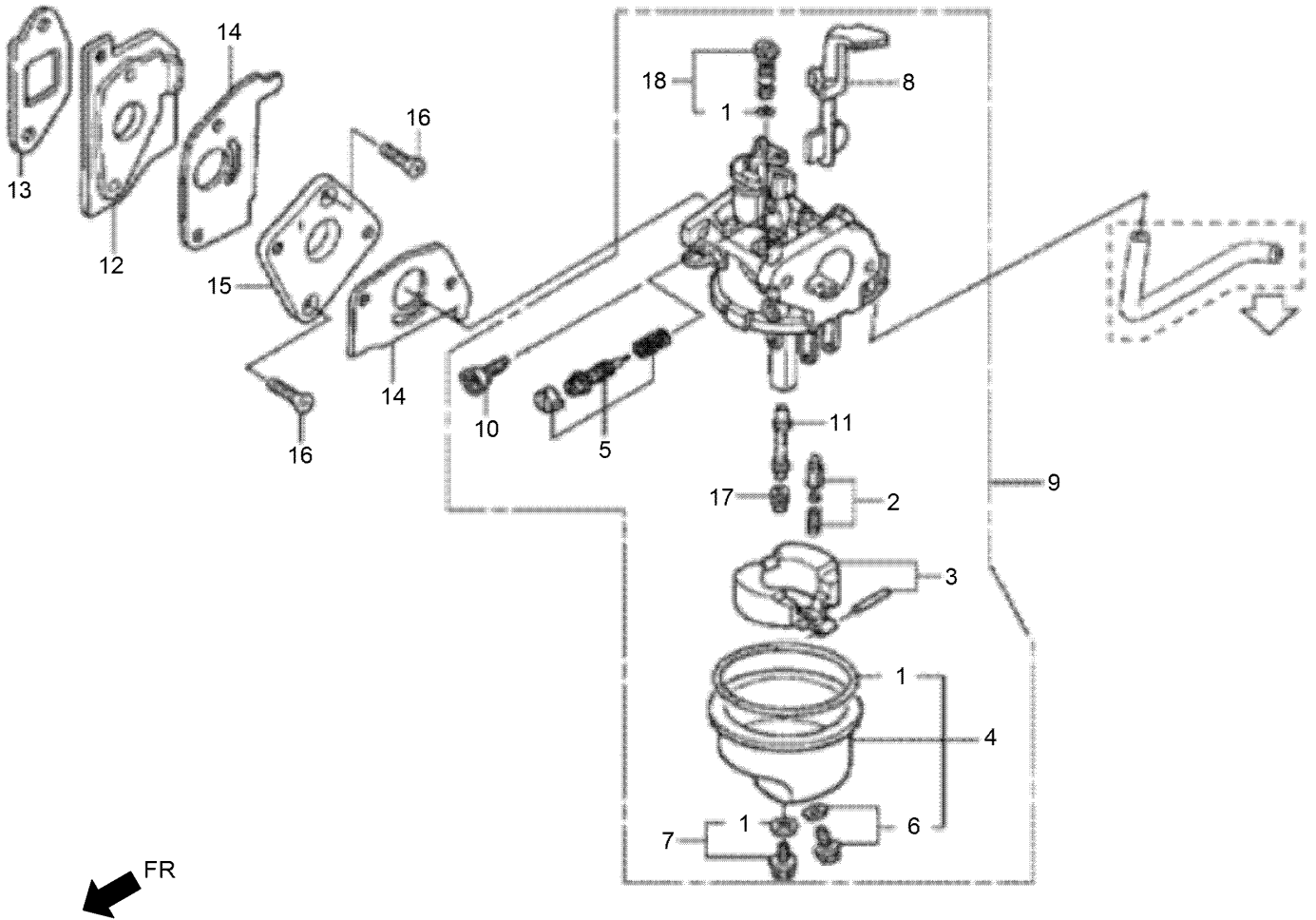
# Fan Cover Assembly



## Fan Cover Assembly (continued)

<i>Ref.</i>	<i>Part Number</i>	<i>Qty.</i>	<i>Description</i>	<i>Ref.</i>	<i>Part Number</i>	<i>Qty.</i>	<i>Description</i>
1	132-0467	1	Fan Cover ASM (Nh1)	3	132-0610	2	Bolt A-Stud
2	132-0472	3	Collar-Fan Cover	4	132-0614	1	Bolt B-Stud

# Carburetor Assembly

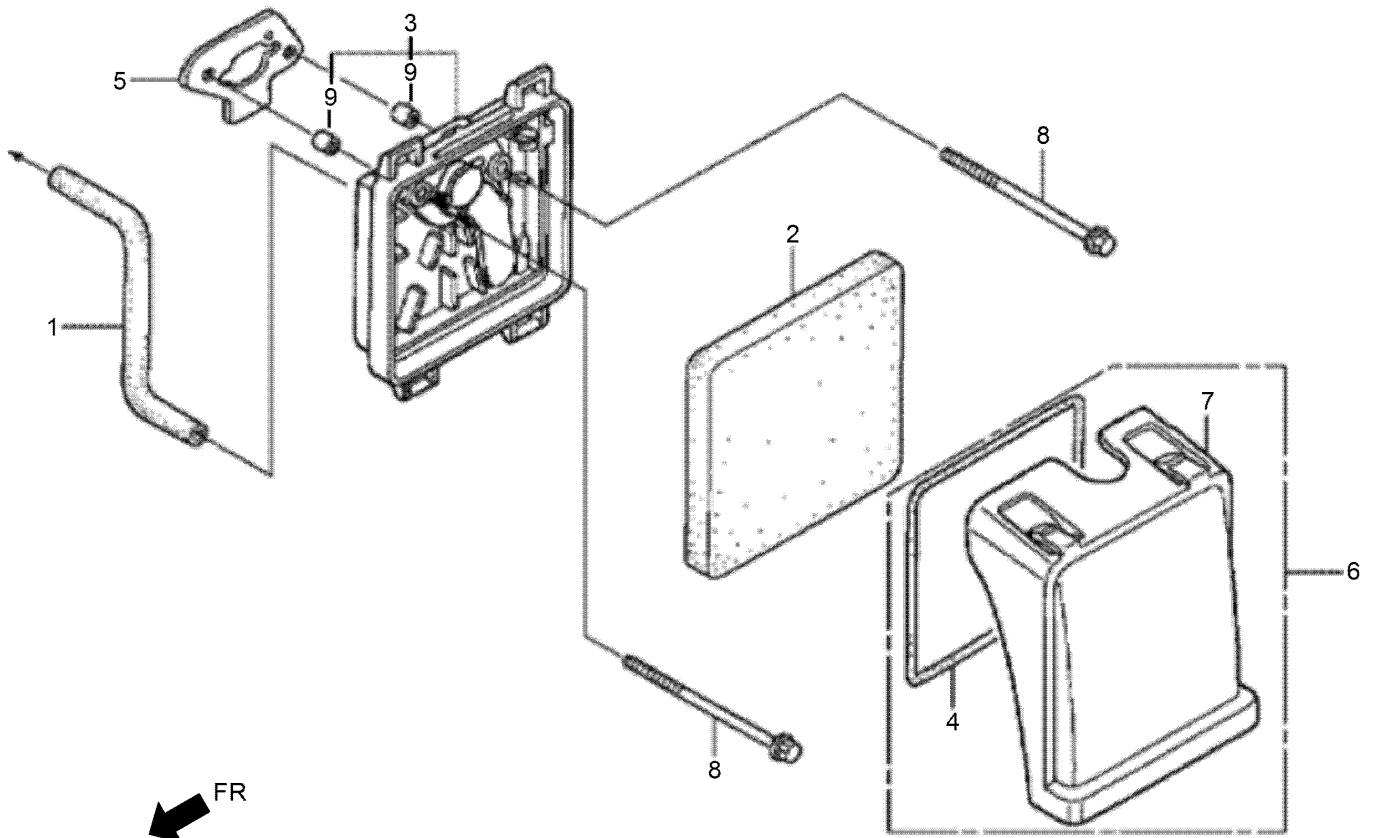




## Carburetor Assembly (continued)

<i>Ref.</i>	<i>Part Number</i>	<i>Qty.</i>	<i>Description</i>	<i>Ref.</i>	<i>Part Number</i>	<i>Qty.</i>	<i>Description</i>
1	132-0240	1	Gasket Set	10	132-0268	1	Screw-Throttle Stop
2	132-0241	1	Valve Set-Float	11	132-0275	1	Nozzle-Main
3	132-0243	1	Float Set	12	132-0280	1	Insulator-Carburetor
4	132-0248	1	Chamber Set-Float	13	132-0283	1	Packing-Insulator
5	132-0250	1	Screw Set-Pilot	14	132-0286	2	Packing-Carburetor
6	132-0252	1	Screw Set-Drain	15	132-0288	1	Plate-Carburetor Joint
7	132-0255	1	Screw Set	16	132-0680	2	Screw-Flat-5X20
8	132-0258	1	Choke Set	17	131-8236	1	Jet-Main No. 52
9	132-0266	1	Carburetor ASM	18	131-8238	1	Jet Set-Pilot, No. 35

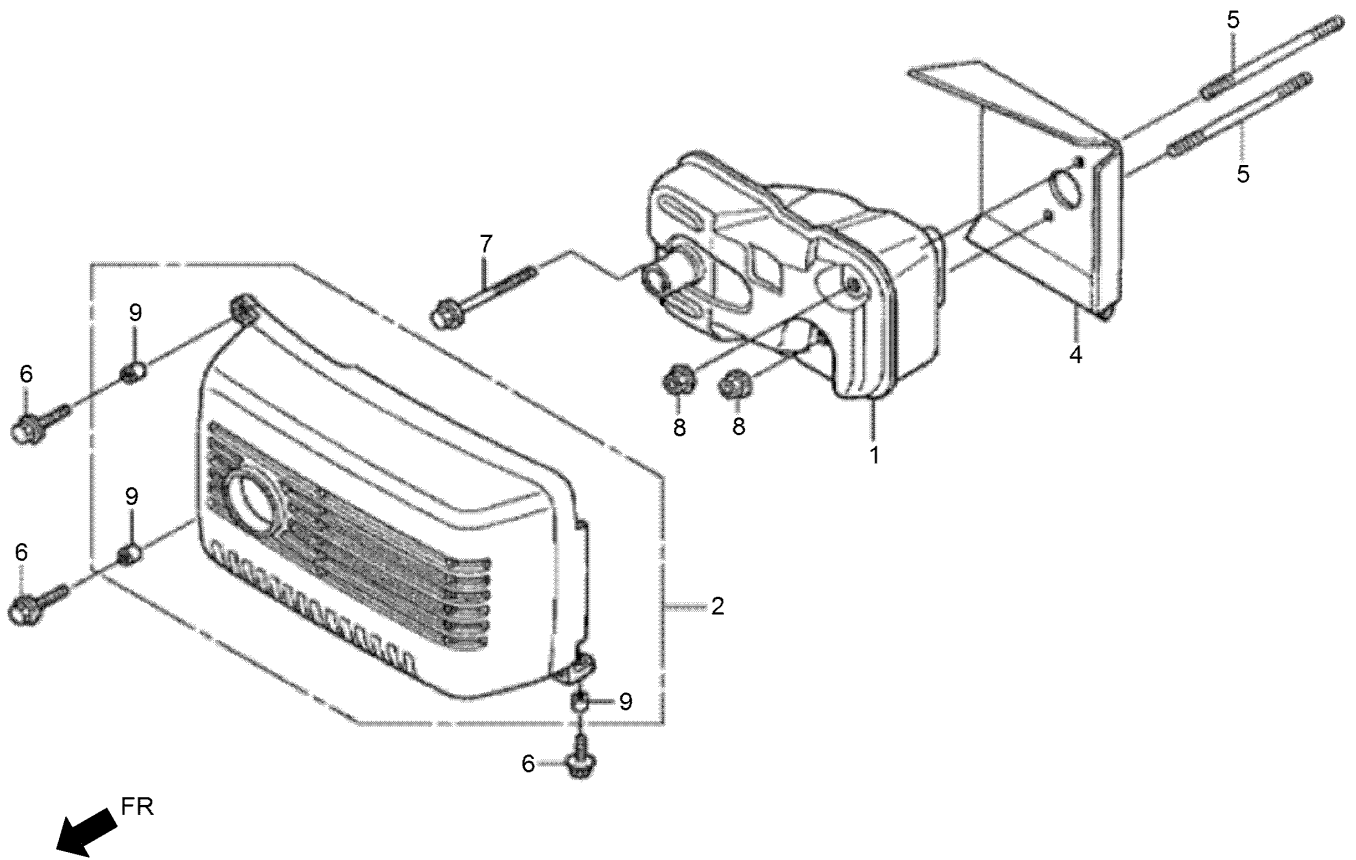
# Air Cleaner Assembly



## Air Cleaner Assembly (continued)

<i>Ref.</i>	<i>Part Number</i>	<i>Qty.</i>	<i>Description</i>	<i>Ref.</i>	<i>Part Number</i>	<i>Qty.</i>	<i>Description</i>
1	132-0237	1	Tube-Breather	6	132-0384	1	Air Cleaner Cover ASM
2	132-0371	1	Element-Air Cleaner	7	132-0390	1	Cover-Air Cleaner
3	132-0378	1	Air Cleaner Case ASM	8	132-0585	2	Bolt-Flange-5X65
4	132-0379	1	Seal-Air Cleaner	9	132-0672	2	Collar-Air Cleaner
5	132-0382	1	Packing-Air Cleaner				

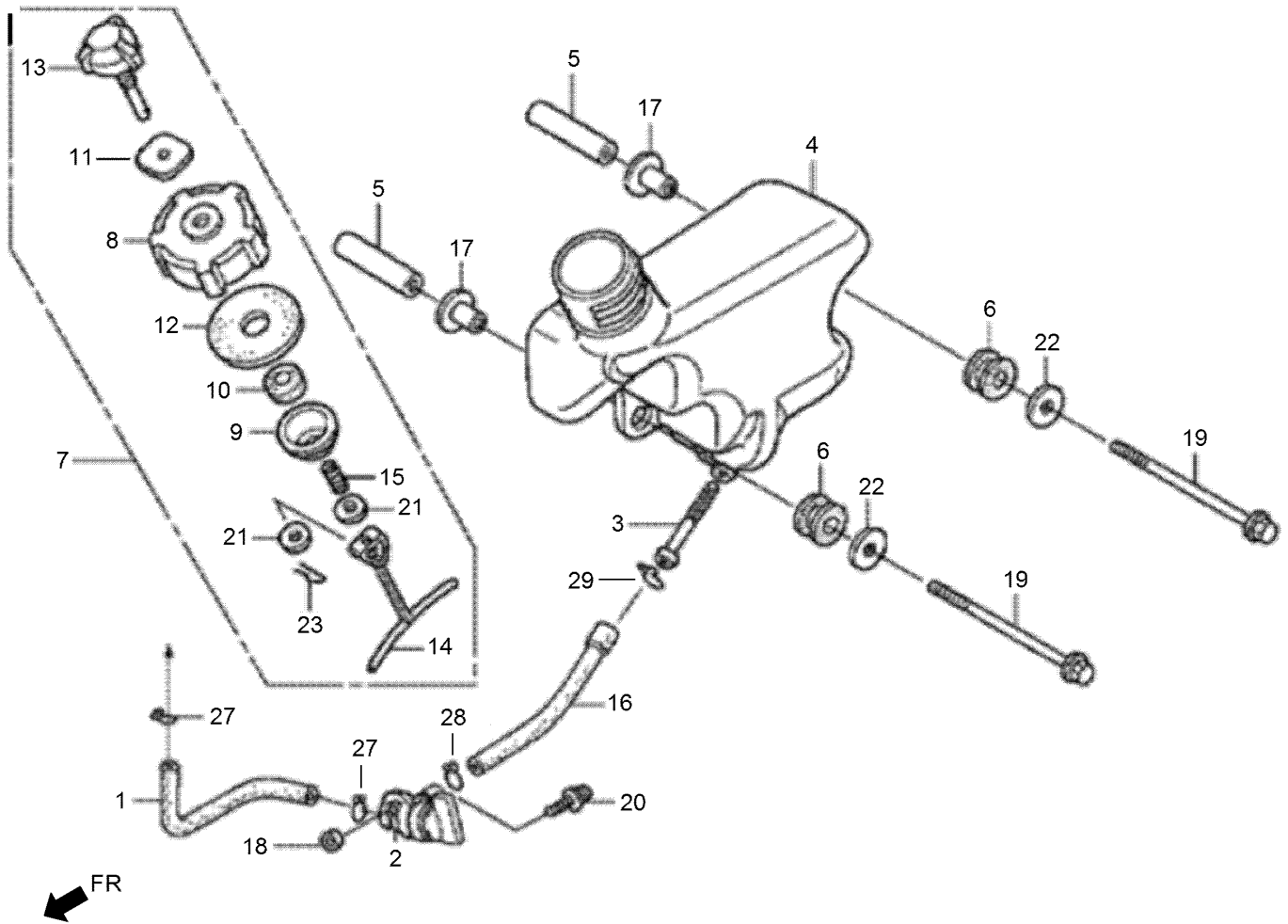
# Muffler Assembly



## Muffler Assembly (continued)

<i>Ref.</i>	<i>Part Number</i>	<i>Qty.</i>	<i>Description</i>	<i>Ref.</i>	<i>Part Number</i>	<i>Qty.</i>	<i>Description</i>
1	132-0447	1	Muffler ASM	6	132-0590	3	Bolt-Flange-5X16
2	132-0454	1	Muffler Protector ASM	7	132-0618	1	Bolt-Flange-5X35
4	132-0459	1	Guide-Air	8	132-0623	2	Nut-Self-Lock-5Mm
5	132-0575	2	Bolt-Stud-5X55	9	132-0671	3	Collar-Top Cover

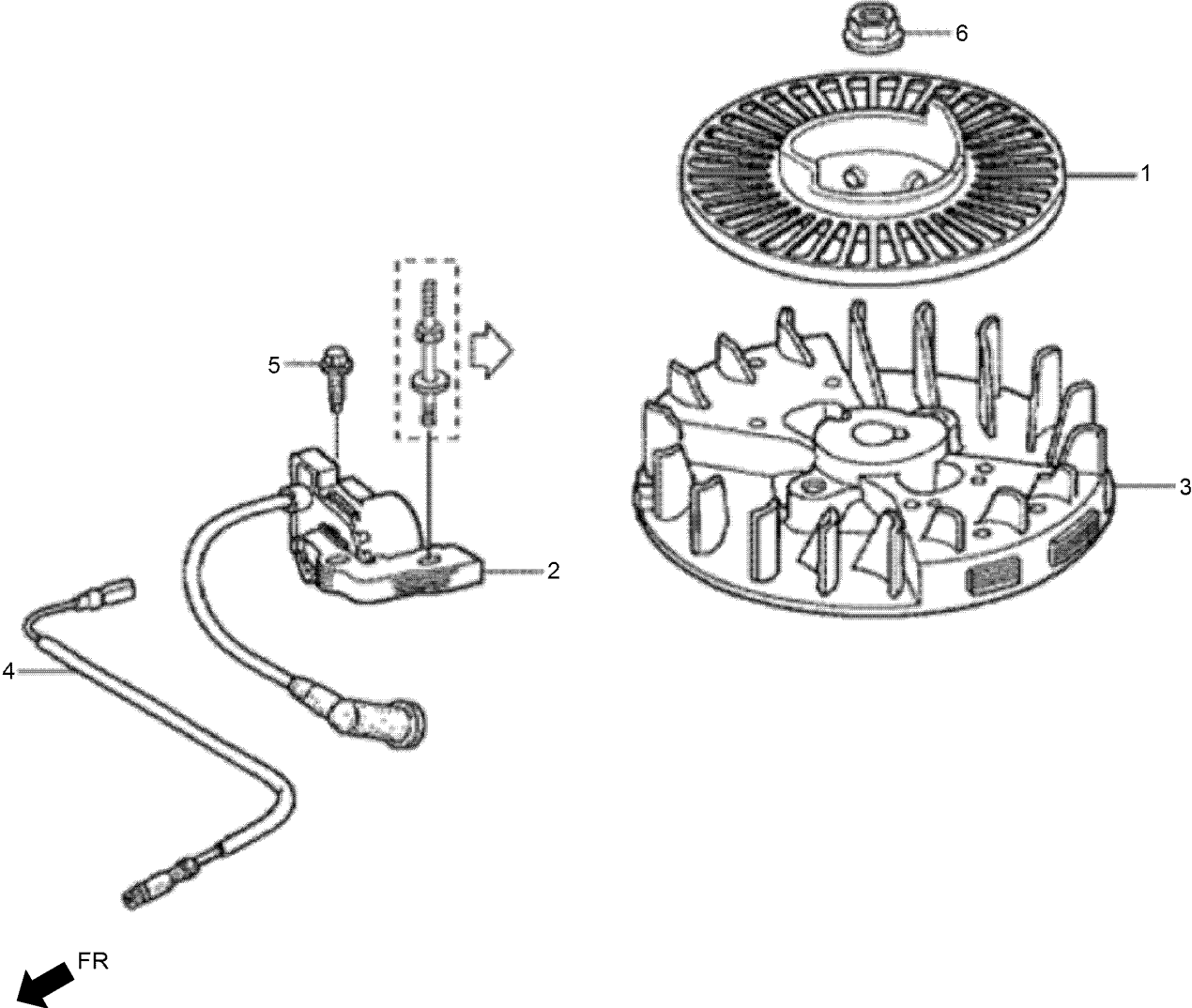
# Fuel Tank Assembly



## Fuel Tank Assembly (continued)

<i>Ref.</i>	<i>Part Number</i>	<i>Qty.</i>	<i>Description</i>	<i>Ref.</i>	<i>Part Number</i>	<i>Qty.</i>	<i>Description</i>
1	132-0350	1	Tube B-Fuel	14	132-0429	1	Link-Fuel Cap
2	132-0355	1	Cock ASM-Fuel	15	132-0430	1	Spring-Fuel Cap
3	132-0358	1	Strainer-Fuel	16	132-0435	1	Tube-Fuel
4	132-0400	1	Tank-Fuel	17	132-0460	2	Collar-Canister Mounting
5	132-0405	2	Collar-Tank Setting	18	132-0527	1	Collar-Fr Winker
6	132-0407	2	Rubber A-Tank Mounting	19	132-0599	2	Bolt-Flange-6X65
7	132-0417	1	Cap ASM-Fuel Tank	20	132-0681	1	Screw-Washer-5X10
8	132-0419	1	Body-Fuel Cap	21	132-0687	2	Washer-Plain-4Mm
9	132-0421	1	Inner-Fuel Cap	22	132-0690	2	Washer-Plain-6Mm
10	132-0422	1	Sponge-Fuel Cap Breather	23	132-0691	1	Pin-Lock-4Mm
11	132-0424	1	Packing-Valve	27	131-8211	2	Clamp-Tube
12	132-0426	1	Packing-Fuel Cap	28	131-8212	1	Clamp-Tube
13	132-0428	1	Breather Valve ASM	29	131-8213	1	Clamp-Tube

# Flywheel and Ignition Coil Assembly

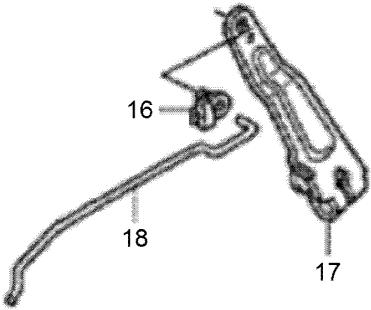
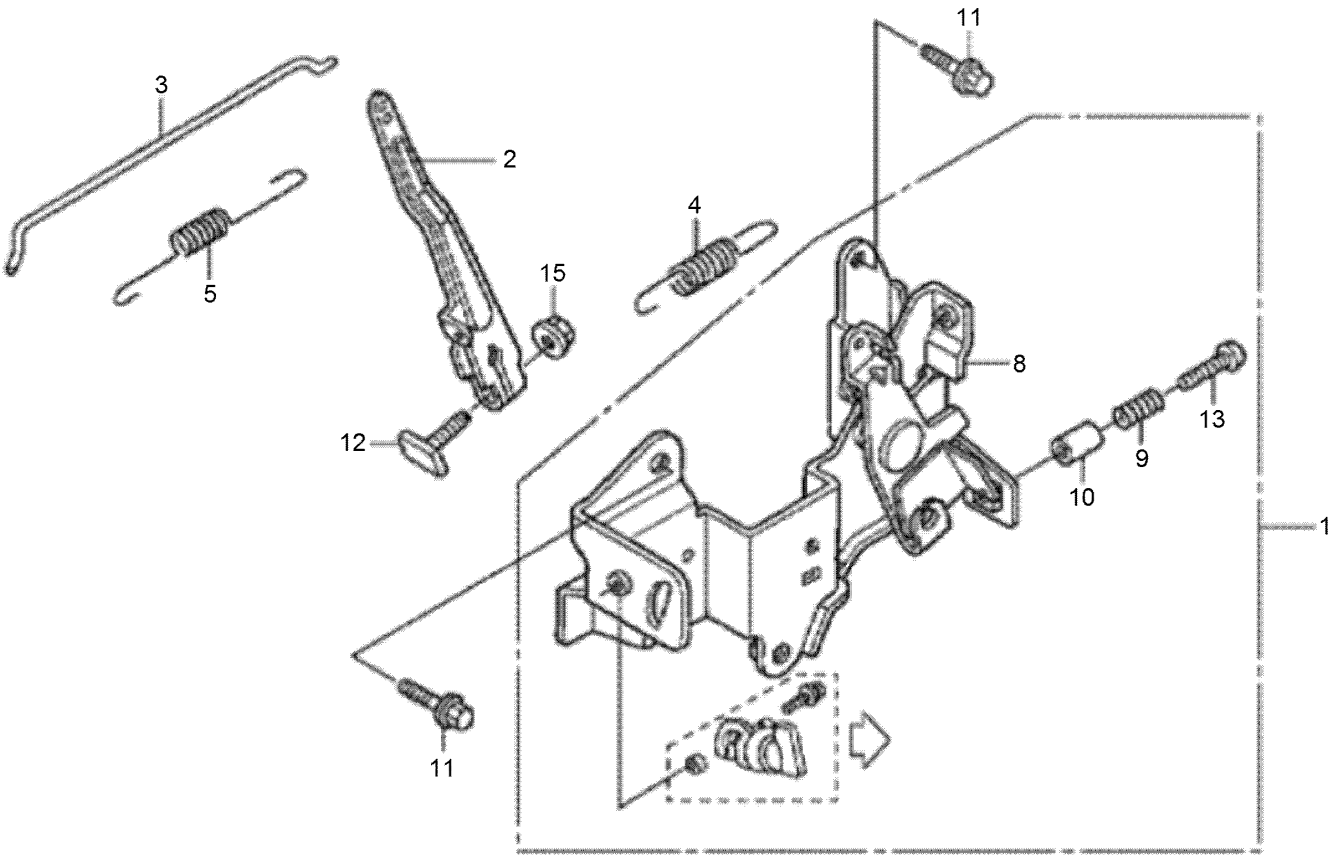




## Flywheel and Ignition Coil Assembly (continued)

<i>Ref.</i>	<i>Part Number</i>	<i>Qty.</i>	<i>Description</i>	<i>Ref.</i>	<i>Part Number</i>	<i>Qty.</i>	<i>Description</i>
1	132-0498	1	Starter Pulley ASM	4	132-0526	1	Cord-Stop Switch
2	132-0514	1	Coil ASM-Ignition	5	132-0582	1	Bolt-Flange-5X20
3	132-0520	1	Flywheel ASM	6	132-0686	1	Nut-Flange-10Mm

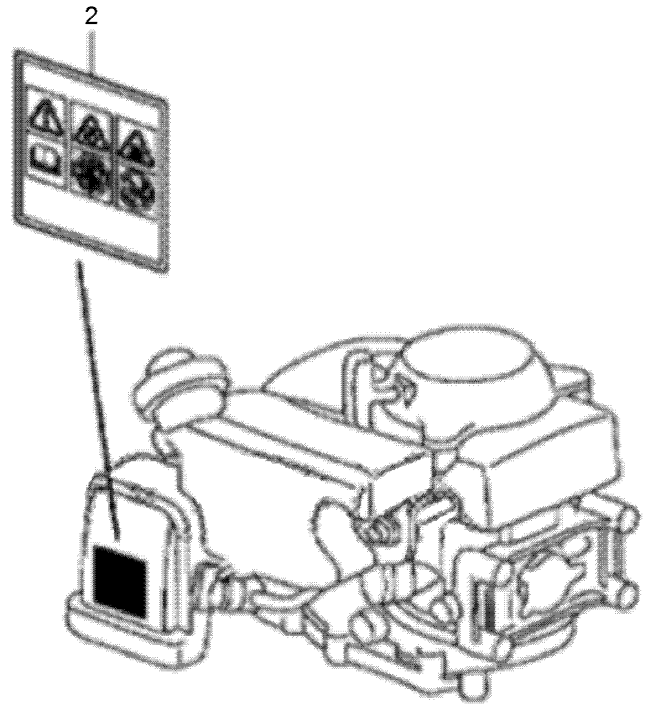
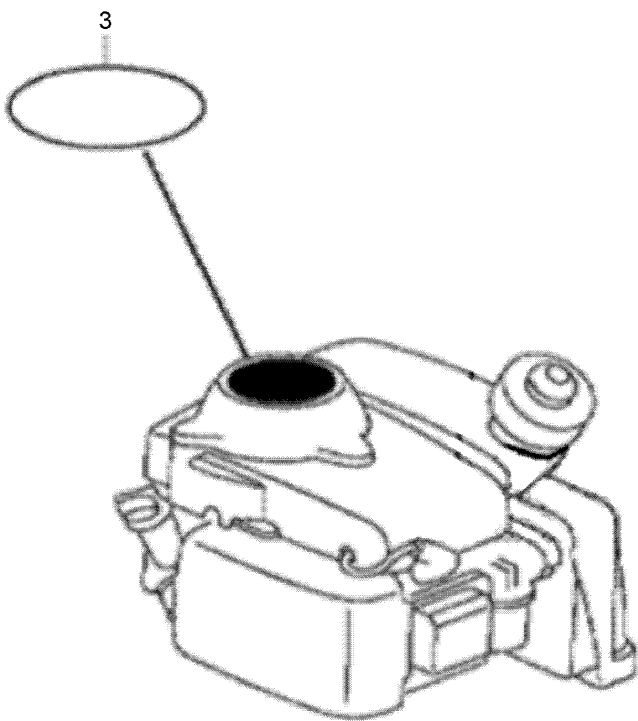
# Control Assembly



## Control Assembly (continued)

<i>Ref.</i>	<i>Part Number</i>	<i>Qty.</i>	<i>Description</i>	<i>Ref.</i>	<i>Part Number</i>	<i>Qty.</i>	<i>Description</i>
1	132-0293	1	Control ASM	11	132-0577	2	Bolt-Flange-5X12
2	132-0313	1	Arm-Governor (To S/N 1000526)	12	132-0597	1	Bolt-Governor Arm
3	132-0319	1	Rod-Governor (To S/N 1000526)	13	132-0601	1	Screw-Recessed-5X28
4	132-0323	1	Spring-Governor	15	132-4881	1	Nut-Flange-6Mm
5	132-0327	1	Spring-Throttle Return	16	132-0290	1	Joint-Rod (From S/N 1000527)
8	132-0339	1	Control Base ASM	17	132-0310	1	Arm-Governor (From S/N 1000527)
9	132-0340	1	Spring-Control Adjusting	18	132-0314	1	Rod-Governor (From S/N 1000527)
10	132-0342	1	Collar-Stopper				

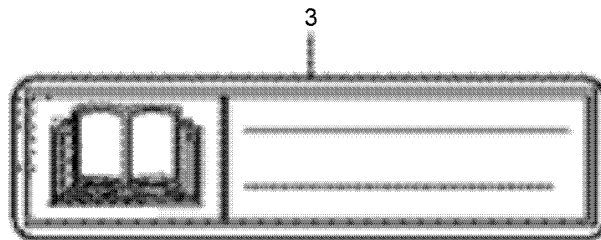
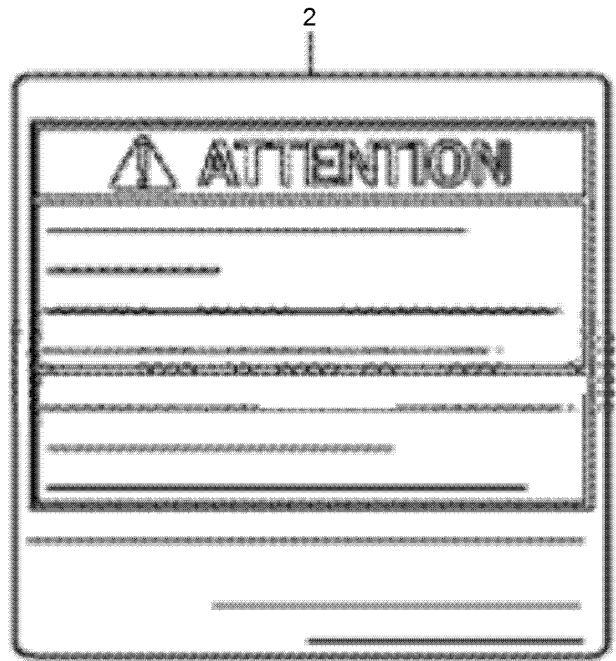
# Label Assembly



## Label Assembly (continued)

<i>Ref.</i>	<i>Part Number</i>	<i>Qty.</i>	<i>Description</i>
2	132-0560	1	Mark-Operator Caution
3	132-0563	1	Emblem

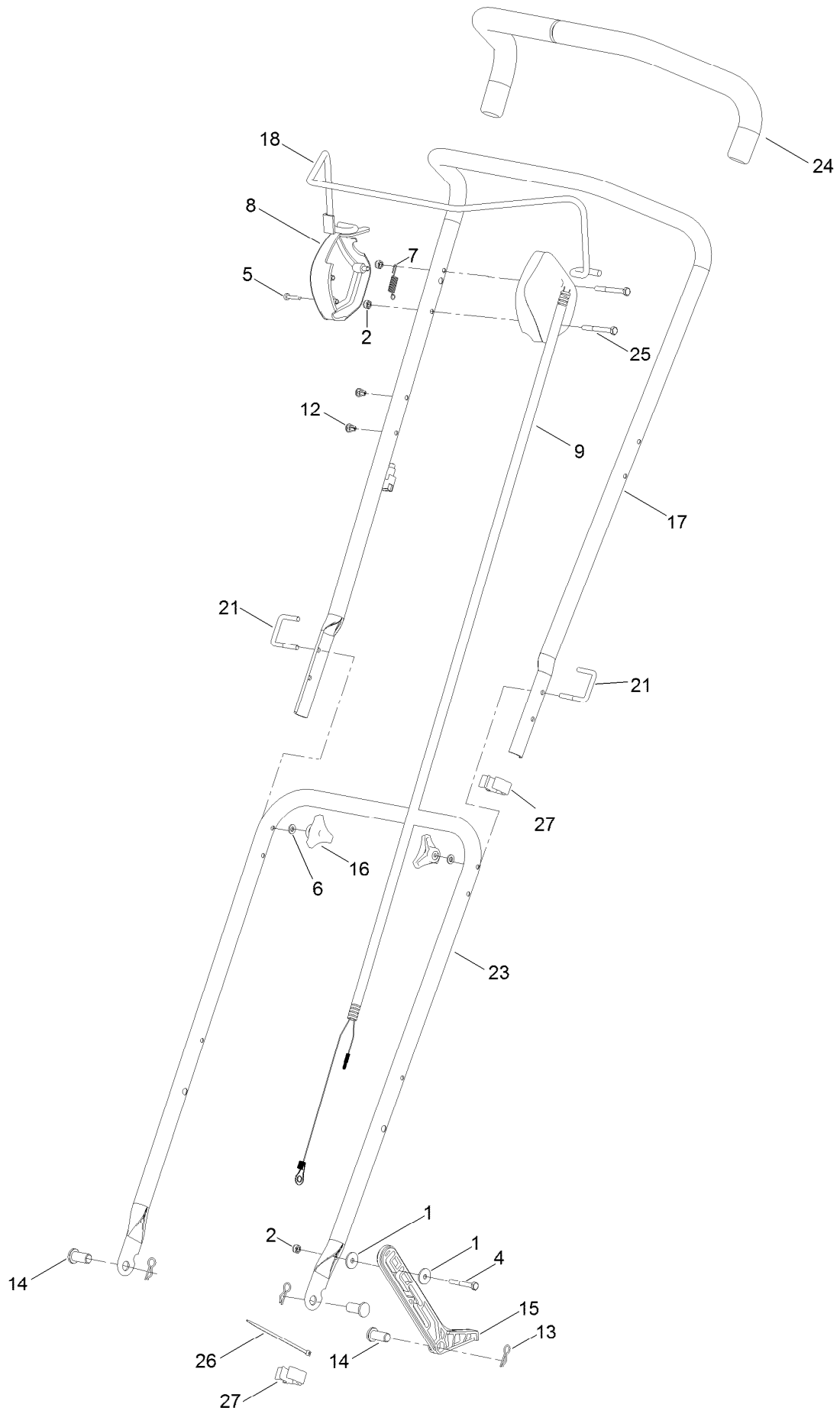
# Decal Assembly



## Decal Assembly (continued)

<i>Ref.</i>	<i>Part Number</i>	<i>Qty.</i>	<i>Description</i>
1	132-0555	1	Mark-Operator Caution (English)
2	132-0556	1	Mark-Operator Caution (French)
3	132-0564	1	Label-Caution

# Handle Assembly





## Handle Assembly (continued)

<i>Ref.</i>	<i>Part Number</i>	<i>Qty.</i>	<i>Description</i>	<i>Ref.</i>	<i>Part Number</i>	<i>Qty.</i>	<i>Description</i>
1	09263	2	Washer	15	111-7262	1	Footstop
2	09438	3	Nut-Nyloc	16	H192204	2	Handwheel
4	09568	1	Bolt-HH	17	H290237	1	Handle-Upper
5	09765	3	Screw-Plastite	18	H290239	1	Arm-Bail
6	111-7679	2	Washer-Plain	21	H292026	2	Bolt-U
7	111-1773	1	Spring-Return	23	111-7263-03	1	Handle-Lower
8	111-1816	1	Box-Switch, LH	24	H292276	2	Grip-Handle
9	111-7264	1	OPC Wire Loom ASM	25	H292309	2	Bolt-Hex
12	341033	2	Fastener-Drive	26	HY3966	1	Tie-Cable
13	H192040	3	Clip-R	27	HY412008	2	Guide-Cable
14	H192169	3	Pin-Retaining				

# Attachments and Accessories

## For 02615 HoverPro 400 Machine

**Product Name**

**Model/Part**

High-Rise Kit..... 02620

**Notes:**



**Count on it.**